

**INSTRUCTION MANUAL
GUIDE D'UTILISATION
MANUAL DE INSTRUCCIONES**

INSTRUCTIVO DE OPERACIÓN, CENTROS DE SERVICIO Y PÓLIZA DE GARANTÍA. **ADVERTENCIA:** LEASE ESTE INSTRUCTIVO ANTES DE USAR EL PRODUCTO. SI TIENE DUDAS, POR FAVOR LLAME.

DEWALT®

DW357/DW358/DW359 7-1/4" Circular Saw

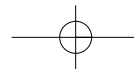
DW360/DW361/DW362/DW363 7-1/4" Circular Saw with Electric Brake

DW357/DW358/DW359 Scie circulaire de 180 mm (7 1/4 po)

DW360/DW361/DW362/DW363 Scie circulaire de 180 mm (7 1/4 po) avec frein électrique

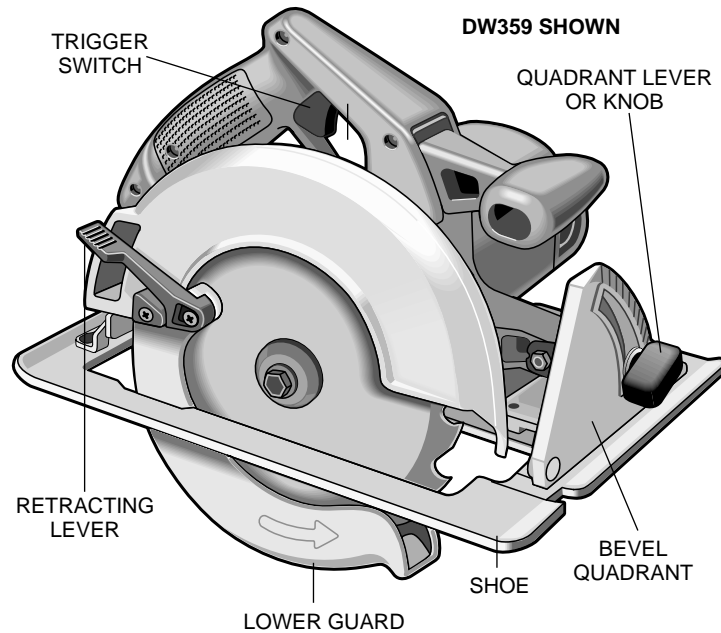
DW357/DW358/DW359 Sierra circular de 180 mm (7-1/4")

DW360/DW361/DW362/DW363 Sierra circular de 180 mm (7-1/4") con freno eléctrico



English

IF YOU HAVE ANY QUESTIONS OR COMMENTS ABOUT THIS OR ANY DEWALT TOOL, CALL US TOLL FREE AT:
1-800-4-DEWALT (1-800-433-9258)



Specifications:

- 120V AC/DC
- 1700 W
- 13.0A (DW357, DW358, DW360, DW361)
- 13.5A (DW363)
- 15.0A (DW359, DW362)

Important Safety Instructions

WARNING: When using electric tools, basic safety precautions should always be followed to reduce risk of fire, electric shock, and personal injury, including the following:

READ ALL INSTRUCTIONS

Double Insulation

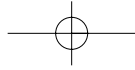
Double insulated tools are constructed throughout with two separate layers of electrical insulation or one double thickness of insulation between you and the tool's electrical system. Tools built with this insulation system are not intended to be grounded. As a result, your tool is equipped with a two prong plug which permits you to use extension cords without concern for maintaining a ground connection.

NOTE: Double insulation does not take the place of normal safety precautions when operating this tool. The insulation system is for added protection against injury resulting from a possible electrical insulation failure within the tool.

CAUTION: WHEN SERVICING USE ONLY IDENTICAL REPLACEMENT PARTS. Repair or replace damaged cords.

Polarized Plugs

Polarized plugs (one blade is wider than the other) are used on equipment to reduce the risk of electric shock. When provided, this plug will fit in the polarized outlet only one way. If the plug does not fit fully in the outlet, reverse the plug. If it still does not fit, contact a qualified electrician to install the proper outlet. Do not change the plug in any way.



Safety Instructions For All Tools

- **KEEP WORK AREA CLEAN.** Cluttered areas and benches invite injuries.
- **CONSIDER WORK AREA ENVIRONMENT.** Don't expose power tools to rain. Don't use power tools in damp or wet locations. Keep work area well lit. Do not use tool in presence of flammable liquids or gases.
- **GUARD AGAINST ELECTRIC SHOCK.** Prevent body contact with grounded surfaces. For example; pipes, radiators, ranges, and refrigerator enclosures.
- **KEEP CHILDREN AWAY.** Do not let visitors contact tool or extension cord. All visitors should be kept away from work area.
- **STORE IDLE TOOLS.** When not in use, tools should be stored in dry, and high or locked-up place — out of reach of children.
- **DON'T FORCE TOOL.** It will do the job better and safer at the rate for which it was intended.
- **USE RIGHT TOOL.** Don't force small tool or attachment to do the job of a heavy-duty tool. Don't use tool for purpose not intended- for example- don't use circular saw for cutting tree limbs or logs.
- **DRESS PROPERLY.** Do not wear loose clothing or jewelry. They can be caught in moving parts. Rubber gloves and non-skid footwear are recommended when working outdoors. Wear protective hair covering to contain long hair.
- **USE SAFETY GLASSES.** Also use face or dust mask if cutting operation is dusty.
- **DON'T ABUSE CORD.** Never carry tool by cord or yank it to disconnect from receptacle. Keep cord from heat, oil, and sharp edges.
- **SECURE WORK.** Use clamps or a vise to hold work. It's safer than using your hand and it frees both hands to operate tool.
- **DON'T OVERREACH.** Keep proper footing and balance at all times.
- **MAINTAIN TOOLS WITH CARE.** Keep tools sharp and clean for better and safer performance. Follow instructions for lubricating and

changing accessories. Inspect tool cords periodically and if damaged, have repaired by authorized service facility. Inspect extension cords periodically and replace if damaged. Keep handles dry, clean, and free from oil and grease.

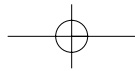
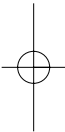
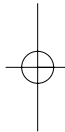
- **DISCONNECT OR LOCK OFF TOOLS** when not in use, before servicing, and when changing accessories, such as blades, bits, cutters.
- **REMOVE ADJUSTING KEYS AND WRENCHES.** Form habit of checking to see that keys and adjusting wrenches are removed from tool before turning it on.
- **AVOID UNINTENTIONAL STARTING.** Don't carry tool with finger on switch. Be sure switch is off when plugging in.
- **EXTENSION CORDS.** Make sure your extension cord is in good condition. When using an extension cord, be sure to use one heavy enough to carry the current your product will draw. An undersized cord will cause a drop in line voltage resulting in loss of power and overheating. The following table shows the correct size to use depending on cord length and nameplate ampere rating. If in doubt, use the next heavier gage. The smaller the gage number, the heavier the cord.

Minimum Gage for Cord Sets

Volts	Total Length of Cord in Feet				
	0-25	26-50	51-100	101-150	
120V	0-50	51-100	101-200	201-300	
240V					
Ampere Rating		AWG			
More Than	Not more Than				
0 -	6	18	16	16	14
6 -	10	18	16	14	12
10 -	12	16	16	14	12
12 -	16	14	12	Not Recommended	

- **OUTDOOR USE EXTENSION CORDS.** When tool is used outdoors, use only extension cords intended for use outdoors and so marked.

English



- **STAY ALERT.** Watch what you are doing. Use common sense. Do not operate tool when you are tired.
- **CHECK DAMAGED PARTS.** Before further use of the tool, a guard or other part that is damaged should be carefully checked to determine that it will operate properly and perform its intended function. Check for alignment of moving parts, binding of moving parts, breakage of parts, mounting, and any other conditions that may affect its operation. A guard or other part that is damaged should be properly repaired or replaced by an authorized service center unless otherwise indicated elsewhere in this instruction manual. Have defective switches replaced by authorized service center. Do not use tool if switch does not turn it on and off.

Additional Safety Instructions for Circular Saws

- **CAUTION:** When cutting into walls, floors or wherever live electrical wires may be encountered, **DO NOT TOUCH ANY METAL PARTS OF THE TOOL!** Hold the tool only by insulated grasping surfaces to prevent electric shock if you cut in the live wire.
- **KEEP GUARDS IN PLACE AND IN WORKING ORDER.** Never wedge or tie lower guard open. Check operation of lower guard before each use. Do not use if lower guard does not close briskly over saw blade. **CAUTION:** If saw is dropped, lower guard may be bent, restricting full return.
- **KEEP BLADES CLEAN AND SHARP.** Sharp blades minimize stalling and kickback.
- **DANGER: Keep hands away from cutting area.** Keep hands away from blades. Do not reach underneath work while blade is rotating. Do not attempt to remove cut material when blade is moving. **CAUTION:** Blades coast after turn off.
- **SUPPORT LARGE PANELS.** Large panels must be supported as shown in Figure 16 to minimize the risk of blade pinching and kickback. When cutting operation requires the resting of the saw on

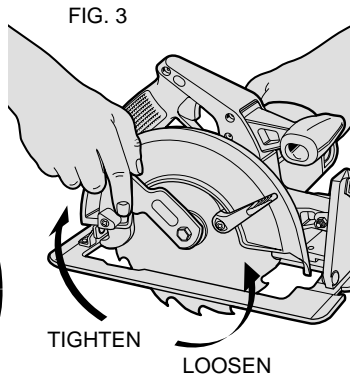
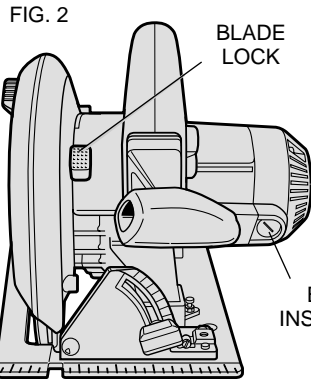
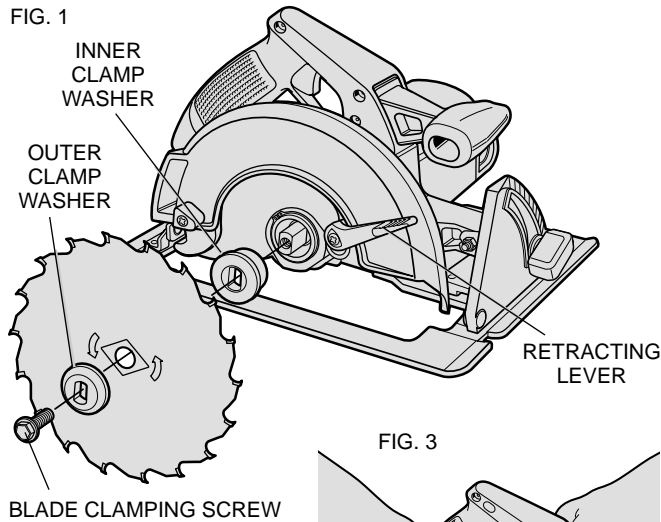
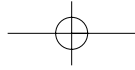
the work piece, the saw shall be rested on the larger portion and the smaller piece cut off.

- **USE RIP FENCE.** Always use a rip fence or straight edge guide when ripping.
- **GUARD AGAINST KICKBACK.** Kickback occurs when the saw stalls rapidly and is driven back towards the operator. Release switch immediately if blade binds or saw stalls. Keep blades sharp. Support large panels as shown in Figure 16. Use fence or straight edge guide when ripping. Don't force tool. Stay alert-exercise control. Don't remove saw from work during a cut while the blade is moving.
- **LOWER GUARD.** Raise lower guard with the retracting handle.
- **ADJUSTMENTS.** Before cutting be sure depth and bevel adjustments are tight.
- **USE ONLY CORRECT BLADES IN MOUNTING.** Do not use blades with incorrect size holes. Never use defective or incorrect blade washers or bolts.
- **AVOID CUTTING NAILS.** Inspect for and remove all nails from lumber before cutting.

⚠ WARNING: Some dust created by power sanding, sawing, grinding, drilling, and other construction activities contains chemicals known to cause cancer, birth defects or other reproductive harm. Some examples of these chemicals are:

- lead from lead-based paints,
- crystalline silica from bricks and cement and other masonry products, and
- arsenic and chromium from chemically-treated lumber (CCA).

Your risk from these exposures varies, depending on how often you do this type of work. To reduce your exposure to these chemicals: work in a well ventilated area, and work with approved safety equipment, such as those dust masks that are specially designed to filter out microscopic particles.



SAVE THESE INSTRUCTIONS

Motor

Your DeWALT tool is powered by a DeWALT motor. Be sure your power supply agrees with nameplate marking. 120 Volts AC/DC means your saw will operate on alternating or direct current. Lower voltage can cause loss of power and can result in overheating. All DeWalt tools are factory-tested; if this tool does not operate, check the power supply.

Electric Brake

(DW360/DW361/DW362/DW363 ONLY)

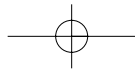
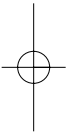
Your saw has an automatic electric brake which is designed to stop the blade from coasting in about two seconds after you release the trigger switch. It is useful when making certain cuts in wood where a coasting blade would result in a wide, imprecise cut.

Occasionally, under certain conditions, the brake will not function properly and won't stop the saw in the two seconds discussed above. If this condition persists, turn the saw on and off four or five times. If the brake still does not stop the blade in about 2 seconds, the problem may be worn brushes. Replace the brushes as described below and try the saw again. If the problem still persists, have the tool serviced at a service center or company authorized service facility.

Brushes

DISCONNECT PLUG FROM POWER SUPPLY BEFORE SERVICING

Inspect carbon brushes regularly by unplugging tool, removing the Brush Inspection Cap (Fig. 2) and withdrawing the brush assembly. Keep brushes clean and sliding freely in their guides. Always replace a used brush in the same orientation in the holder as it was prior to removal. Carbon brushes have varying symbols stamped into their sides, and if the brush is worn down to the line closest to the spring, they must be replaced. Use only identical DeWalt brushes. Always



replace both brushes. Use of the correct grade of brush is essential for proper operation of electric brakes on units so equipped. New brush assemblies are available at your local service center. The tool should be allowed to "run in" (run at no load without a blade) for 10 minutes before use to seat new brushes. This is especially important for saws equipped with electric brakes which may be erratic in operation until the brushes are properly seated (worn in).

While "running in" DO NOT TIE, TAPE, OR OTHERWISE LOCK THE TRIGGER SWITCH ON. HOLD BY HAND ONLY.

Adjustments and Setup

ATTACHING AND REMOVING BLADES DISCONNECT PLUG FROM POWER SUPPLY.

To attach the blade, retract lower blade guard and place inner clamp washer and blade on saw spindle with printed side of blade out (teeth at bottom of blade pointing forward) (FIG. 1.) Place outer clamp washer on saw spindle. The larger surfaces of both washers must face the blade. Thread on blade clamping screw firmly by hand to hold both blade washers in position.

Lightly depress the blade lock (FIG. 2) while turning the spindle until the blade stops rotating. Tighten blade clamping screw (clockwise) firmly with the blade wrench (FIG. 3).

NEVER ENGAGE BLADE LOCK WHILE SAW IS RUNNING, OR ENGAGE IN AN EFFORT TO STOP THE TOOL. NEVER TURN SWITCH ON WHEN BLADE LOCK IS ENGAGED. SERIOUS DAMAGE TO YOUR SAW WILL RESULT.

When removing the blade, first unplug the saw. Engage the blade lock and unscrew the blade clamping screw by turning it counterclockwise with the blade wrench.

CUTTING DEPTH ADJUSTMENT DISCONNECT PLUG FROM POWER SUPPLY.

Hold the saw firmly as shown in Figure 4. Loosen (counterclockwise) the Depth Adjustment Lever and move shoe to obtain the desired depth of cut, as shown in Figure 5. Make sure the Depth Adjustment

FIG. 4

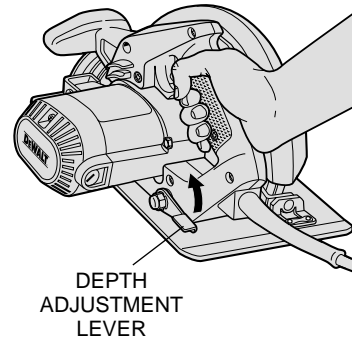


FIG. 5

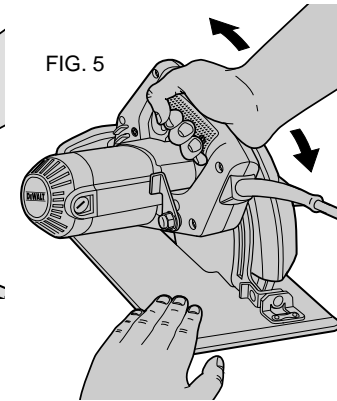


FIG. 5A

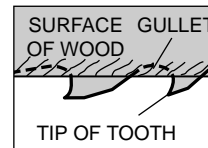


FIG. 5B

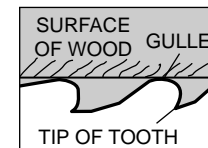


FIG. 6

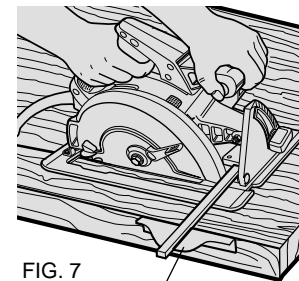
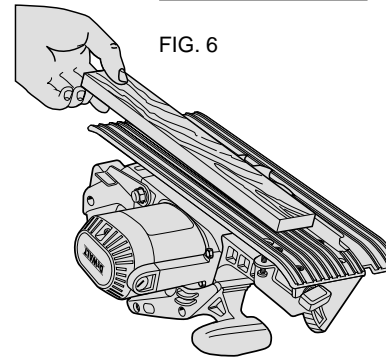


FIG. 7

RIP FENCE

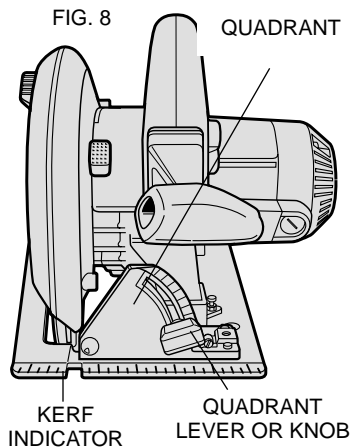
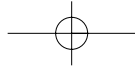
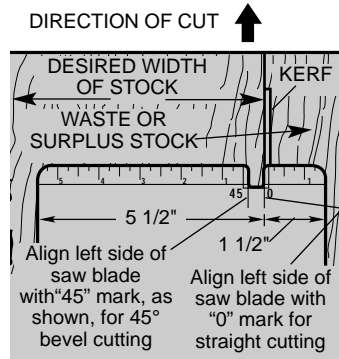


FIG. 9 GUIDE ALONG PENCILED CUTTING LINE SO KERF FALLS IN WASTE STOCK



Lever has been retightened (clockwise) before operating saw. Your saw is equipped with a carbide tipped saw blade for long life and efficient cutting.

For the most efficient cutting action using a carbide tipped saw blade, set the depth adjustment so that about one half of a tooth projects below the surface of the wood to be cut. The height of a whole tooth is the distance from the tip of the tooth to the bottom of the gullet in front of it. Study Figures 5A and 5B to determine what one half tooth means. (5A shows one half tooth projecting below the surface and figure 5B shows a whole tooth projecting below the surface.)

Setting the saw at the proper cutting depth keeps blade friction to a minimum, removes sawdust from between the blade teeth, results in cooler, faster sawing and reduces the chance of kickback.

A method of checking for the correct cutting depth is shown in Figure 6. Lay a piece of the material you plan to cut along the side of the blade, as shown in the figure, and observe how much tooth projects beyond the material.

NOTE: When using a non carbide tipped blade, make an exception to the above procedure and allow a full tooth to project below the material, as shown in Figure 5B.

BEVEL ANGLE ADJUSTMENT
DISCONNECT THE SAW FROM THE POWER SUPPLY.

The full range of the Bevel Adjustment is from **0 TO 50 DEGREES**. The quadrant is graduated in increments of 5 degrees.

On the front of the saw is a bevel angle adjustment mechanism (Figure 8) consisting of a calibrated quadrant and a lever or knob. To set the saw for a bevel cut, loosen (counterclockwise) the quadrant lever or knob and tilt shoe to the desired angle by aligning the pointer with the desired angle mark. Retighten lever or knob firmly (clockwise).

NOTE: The quadrant pointer, located between the quadrant lever or knob and the quadrant, can be adjusted after loosening its screw. Retighten firmly after adjustment.

KERF INDICATOR

The front of the saw shoe has a kerf indicator (Figure 8) for vertical

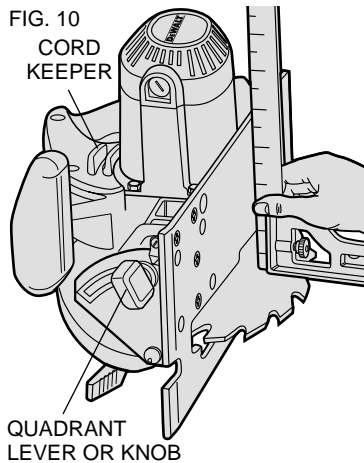
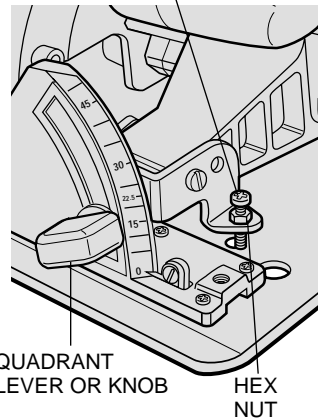
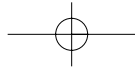
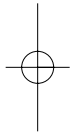


FIG. 11 ADJUSTMENT SCREW



English



and bevel cutting. This indicator enables you to guide the saw along cutting lines penciled on the material being cut. The indicator lines up with the left (inner) side of the saw blade, which makes the slot or “kerf” cut by the moving blade fall to the right of the indicator. Guide along the penciled cutting line so that the kerf falls into the waste or surplus material – See Figure 9. Figure 9 shows the dimensions of the shoe. Note that the left side is 5-1/2” (5” for DW359, DW362, DW363) between the left side of the blade and the left edge of the shoe (standard 6x lumber). The right dimension is 1-1/2” (standard 2x lumber).

SHOE ALIGNMENT

Your saw has been set at the factory for accurate vertical cuts (a 90 degree angle between the bottom of the shoe and the blade). The edge of the shoe has also been set parallel to the blade so that it will not bind when using an edge guide. If the saw should ever need adjustment, it may be done as follows:

ADJUSTING FOR 90° CUTS

1. DISCONNECT PLUG FROM POWER SUPPLY.
2. Adjust the saw to 0° bevel.
3. Place saw on blade side (Fig. 10). Retract blade guard.
4. Loosen quadrant lever or knob (Fig. 10). Place a square against the blade and shoe to adjust the 90° setting.
5. Loosen the hex nut and move the adjustment screw so that the shoe will stop at the proper angle as shown in Figure 11. Lock the screw in place by tightening the hex nut.
6. It may be necessary to adjust the quadrant angle pointer to line up on “O” after shoe has been adjusted.

ADJUSTING THE SHOE PARALLEL TO THE BLADE

(Your saw is adjusted at the factory so that the blade and shoe are parallel. If these parts become misaligned, adjust as follows.)

1. Disconnect plug from power supply.
2. Loosen the (2) screws at the adjusting bracket at the rear of the

FIG. 12

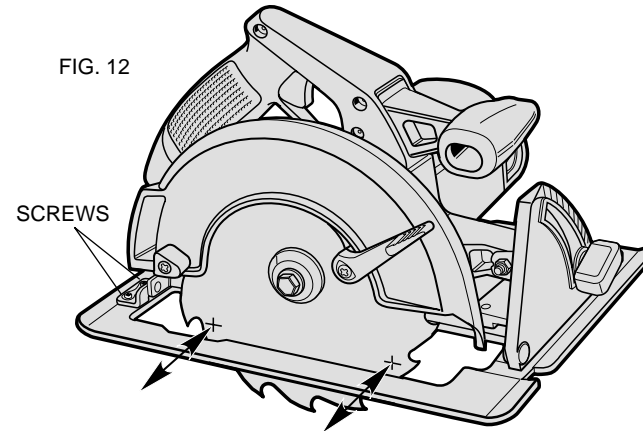


FIG. 13

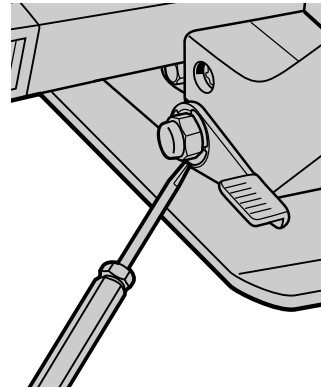
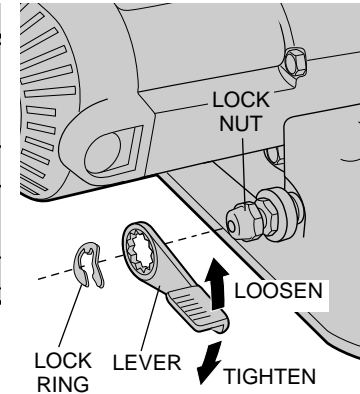


FIG. 14



shoe, as shown in Figure 12.

3. Adjust the shoe until it is parallel to the blade by measuring from the edge of the shoe to the blade, front & rear. You can measure from the outside edge of the blade to the shoe as shown in Figure 12 or from the inner edge of the blade to the wider part of the shoe. (Do not measure from the tips of any saw blade teeth.)
4. When shoe is parallel, tighten all screws.

ADJUSTING DEPTH ADJUSTMENT & QUADRANT LEVERS OR KNOBS

It may be desirable to adjust the Depth Adjustment and Quadrant Adjustment lever or knob. (They will sometimes hit the shoe before tightening or loosening completely.) To adjust either lever, follow the steps below.

1. Disconnect plug from power supply.
2. Using a small screwdriver, pry the lock ring off, as shown in Figure 13.
3. Remove the lever and rotate it in the desired direction about 1/8 revolution. (More or less as necessary.)
4. Reinstall the lever and insert the lock ring with *concave side against lever* to hold it in place. (Figure 14)

Operation

SWITCH

Pull the trigger switch to turn the motor "ON". Releasing the trigger turns the motor "OFF". Releasing the trigger also automatically actuates the electric brake on units so equipped. This tool has no provision to lock the switch in the "ON" position, and should never be locked "ON" in any way.

WORKPIECE SUPPORT

Figure 15 shows proper sawing position. Note that hands are kept away from cutting area, and power cord is positioned clear of the

cutting area so that it will not get caught or hung up on the work.

To avoid kickback, DO support board or panel NEAR the cut, (Figure 16). DON'T support board or panel away from the cut (Figure 17).

When operating the saw, keep the cord away from the cutting area and prevent it from becoming hung up on the work piece. Note that a special Cord Keeper has been provided on the tool's handle. Press the cord firmly into the cord keeper to keep it out of the way but in sight so you know where it is at all times.

WARNING: It is important to support the work properly and to hold the saw firmly to prevent loss of control which could cause personal injury; Figure 15 illustrates typical hand support of the saw.

ALWAYS DISCONNECT SAW BEFORE MAKING ANY ADJUSTMENTS! Place the work with its "good" side – the one on which appearance is most important – down. The saw cuts upward, so any splintering will be on the work face that is up when you saw it.

CUTTING

Support the work so that the cut will be on your right. Place the wider portion of the saw shoe on that part of the work piece which is solidly supported, not on the section that will fall off when the cut is made. As examples, Figure 16 illustrates the RIGHT way to cut off the end of a board, and Figure 17 the WRONG way. Always clamp work. Don't try to hold short pieces by hand! Remember to support cantilevered and overhanging material. Use caution when sawing material from below.

Be sure saw is up to full speed before blade contacts material to be cut. Starting saw with blade against material to be cut or pushed forward into kerf can result in kickback.

Push the saw forward at a speed which allows the blade to cut without laboring. Hardness and toughness can vary even in the same piece of material, and knotty or damp sections can put a heavy load on the saw. When this happens, push the saw more slowly, but hard enough to keep it working without much decrease in speed.

Forcing the saw can cause rough cuts, inaccuracy, kickback and

over-heating of the motor.

Should your cut begin to go off the line, don't try to force it back on. Release the switch and allow blade to come to a complete stop. Then you can withdraw the saw, sight anew, and start a new cut slightly inside the wrong one. In any event, withdraw the saw if you must shift the cut. Forcing a correction inside the cut can stall the saw and lead to kickback. **IF SAW STALLS, RELEASE THE TRIGGER AND BACK THE SAW UNTIL IT IS LOOSE. BE SURE BLADE IS STRAIGHT IN THE CUT AND CLEAR OF THE EDGE BEFORE RESTARTING.**

As you finish a cut, release the trigger and allow the blade to stop before lifting the saw from the work. As you lift the saw, the spring-tensioned telescoping guard will automatically close under the blade. Remember the blade is exposed until this occurs, never reach under the work for any reason whatsoever. When you have to retract the telescoping guard manually (as is necessary for starting pocket cuts) always use the retracting lever.

NOTE: When cutting thin strips, be careful to ensure that small cutoff pieces don't hang up on inside of lower guard.

When ripping (cutting with the grain) the use of a rip fence is recommended. (See Figure 7)

POCKET CUTTING

DISCONNECT PLUG FROM POWER SUPPLY WHEN MAKING THIS OR ANY OTHER ADJUSTMENT. Adjust saw shoe so blade cuts at desired depth. Tilt saw forward and rest front of the shoe on material to be cut. Using the retracting lever, retract blade guard to an upward position. Lower rear of shoe until blade teeth almost touch cutting line. Now release the blade guard (its contact with the work will keep it in position to open freely as you start the cut). Start the motor and gradually lower the saw until its shoe rests flat on the material to be cut. Advance saw along the cutting line until cut is completed. Release trigger and allow blade to stop completely before withdrawing the blade from the material. When starting each new cut, repeat as above. Never tie the blade guard in a raised position.

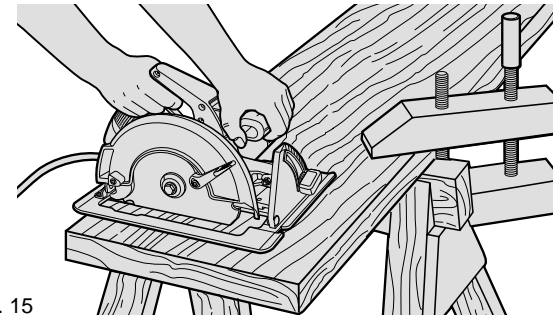


FIG. 15

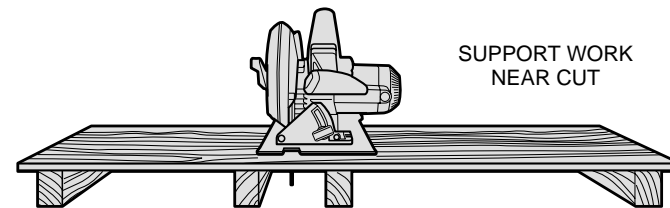


FIG. 16

RIGHT

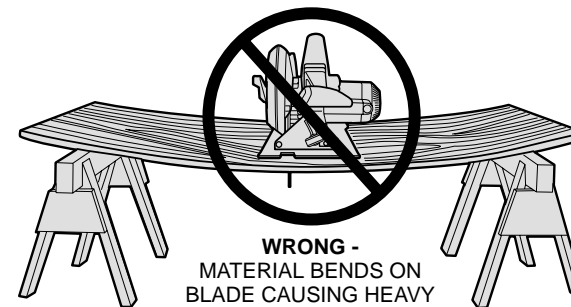
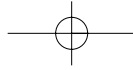


FIG. 17

WRONG - MATERIAL BENDS ON BLADE CAUSING HEAVY LOADS OR KICKBACK.



Kickback

When the saw blade becomes pinched or twisted in the cut, kickback can occur. The saw is thrust rapidly back toward the operator. When the blade is pinched or bound tightly by the kerf closing down, the blade stalls and the motor reaction drives the unit backward. When the blade becomes twisted or misaligned in the cut, the teeth at the back edge of the blade can dig into the top surface of the wood causing the blade to climb out of the kerf and jump back toward the operator.

Kickback is more likely to occur when any of the following conditions exist.

1. **IMPROPER WORKPIECE SUPPORT**
 - A. Sagging or improper lifting of the cut off piece causing pinching of the blade.
 - B. Cutting through material supported at the outer ends only (see Figure 17). As the material weakens it sags, closing down the kerf and pinching the blade.
 - C. Cutting off a cantilevered or overhanging piece of material from the bottom up in a vertical direction. The falling cut off piece can pinch the blade.
 - D. Cutting off long narrow strips (as in ripping). The cut off strip can sag or twist closing the kerf and pinching the blade.
 - E. Snagging the lower guard on a surface below the material being cut momentarily reducing operator control. The saw can lift partially out of the cut increasing the chance of blade twist.
2. **IMPROPER DEPTH OF CUT SETTING ON SAW**

Using the saw with an excessive depth of cut setting increases loading on the unit and susceptibility to twisting of the blade in the kerf. It also increases the surface area of the blade available for pinching under conditions of kerf close down.
3. **BLADE TWISTING (MISALIGNMENT IN CUT)**
 - A. Pushing harder to cut through a knot, a nail, or a hard grain area can cause the blade to twist.
 - B. Trying to turn the saw in the cut (trying to get back on the

marked line) can cause blade twist.

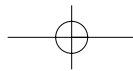
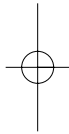
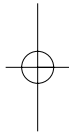
- C. Extended reach or operating saw with poor body control (out of balance), can result in twisting the blade.
 - D. Changing hand grip or body position while cutting can result in blade twist.
 - E. Backing unit up to clear blade can lead to twist if not done carefully.
4. **MATERIALS THAT REQUIRE EXTRA ATTENTION**
 - A. Wet lumber
 - B. Green lumber (material freshly cut or not kiln dried)
 - C. Pressure treated lumber (material treated with preservatives or anti-rot chemicals)
 5. **USE OF DULL OR DIRTY BLADES**

Dull blades cause increased loading of the saw. To compensate, an operator will usually push harder which further loads the unit and promotes twisting of the blade in the kerf. Worn blades may also have insufficient body clearance which increases the chance of binding and increased loading.
 6. **LIFTING THE SAW WHEN MAKING BEVEL CUTS**

Bevel cuts require special operator attention to proper cutting techniques – especially guidance of the saw. Both blade angle to the shoe and greater blade surface in the material increase the chance for binding and misalignment (twist) to occur.
 7. **RESTARTING A CUT WITH THE BLADE TEETH JAMMED AGAINST THE MATERIAL**

The saw should be brought up to full operating speed before starting a cut or restarting a cut after the unit has been stopped with the blade in the kerf. Failure to do so can cause stalling and kickback.

Any other conditions which could result in pinching, binding, twisting, or misalignment of the blade could cause kickback. Refer to the sections on “Adjustments And Set-Up” and “Operation” for procedures and techniques that will minimize the occurrence of kickback.



Blades

A dull blade will cause slow, inefficient cutting, overload on the saw motor, excessive splintering and increase the possibility of kickback. It is a good practice to keep extra blades on hand so that sharp blades are available while the dull ones are being sharpened (See "SAWS-SHARPENING" in the Yellow Pages). In fact, many lower priced blades can be replaced with new ones at very little cost over the sharpening price.

Hardened gum on the blade will slow down the cutting. This gum can best be removed with trichlorethylene, kerosene, turpentine or oven cleaner.

DEWALT manufactures a complete line of 7-1/4" diameter saw blades and the following types of blades are available from your service center.

VISUALLY EXAMINE CARBIDE BLADES BEFORE USE. REPLACE IF DAMAGED.

COMBINATION	– For general-purpose ripping and cutting
CROSS-CUT	– For smoother, faster cross cutting
RIPPING	– For fast rip cuts
PLYWOOD	– For smooth cuts in plywood. Reduce splintering.
FRAMING / RIP	– For facing, roofing, siding, sub-flooring, framing, form cutting.
PLANER	– For very smooth ripping and cross-cutting.
FRICITION	– For cutting corrugated, galvanized sheets.
METAL-CUTTING	– For cutting aluminum, copper and other soft metals.
FLOORING	– For sawing where nails may be occasionally encountered.
CARBIDE-TIPPED	– For longest sawing without blade sharpening. Cuts wood, Transite, Cemesto board, Formica, Masonite, and similar materials

Accessories

Recommended accessories for use with your tool are available at extra cost from your local service center. A complete listing of service centers is included with your tool.

If you need any assistance in locating any accessory, please contact DEWALT Industrial Tool Co., 701 East Joppa Road, Baltimore, MD 21286 or call 1-800-732-4441.

- A. RIP FENCE: Attaches to top of saw shoe. Permits rip cuts without penciled guide line.
- B. SAW PROTRACTOR: Guides saw for accurate cut-off work. Adjusts from 0 to 70 degrees.
- C. CUT-OFF GUIDE: For 90 degree or 45 degree cuts.

CAUTION: Recommended accessories and saw blades for your saw are listed in this manual. The use of any other accessory or attachment may be hazardous.

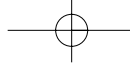
Cleaning and Lubrication

Use only mild soap and a damp cloth to clean the tool. Many household cleaners contain chemicals which could seriously damage plastic. Also, do not use gasoline, turpentine, lacquer or paint thinner, dry cleaning fluids or similar products. Never let any liquid get inside the tool; never immerse any part of the tool into a liquid.

Self lubricating ball and roller bearings are used in the tool and relubrication is not required. However, it is recommended that, once a year, you take or send the tool to a service center for a thorough cleaning, inspection and lubrication of the gear case.

Important

To assure product SAFETY and RELIABILITY, repairs, maintenance and adjustment (including brush inspection and replacement) should be performed by authorized service centers or other qualified service organizations, always using identical replacement parts.



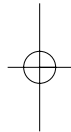
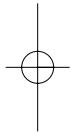
Full Warranty

DEWALT heavy duty industrial tools are warranted for one year from date of purchase. We will repair, without charge, any defects due to faulty materials or workmanship. For warranty repair information, call 1-800-4-DEWALT. This warranty does not apply to accessories or damage caused where repairs have been made or attempted by others. This warranty gives you specific legal rights and you may have other rights which vary in certain states or provinces.

In addition to the warranty, DEWALT tools are covered by our:

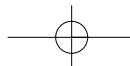
30 DAY NO RISK SATISFACTION GUARANTEE

If you are not completely satisfied with the performance of your DEWALT heavy duty industrial tool, simply return it to the participating seller within 30 days for a full refund. Please return the complete unit, transportation prepaid. Proof of purchase may be required.



English

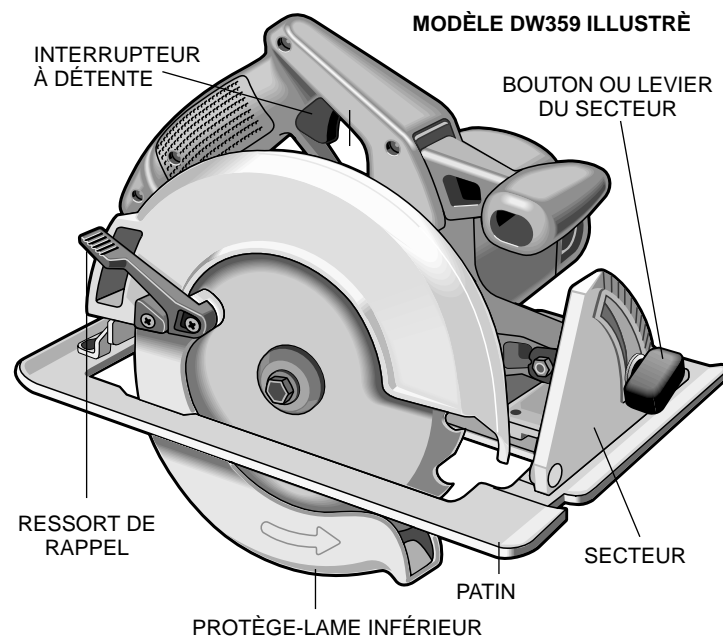
See 'Tools-Electric'
- Yellow Pages -
for Service & Sales



POUR TOUT RENSEIGNEMENT SUPPLÉMENTAIRE SUR CET OUTIL OU TOUT AUTRE OUTIL DEWALT, COMPOSER SANS FRAIS LE NUMÉR SUIVANT.

1 800 4-DEWALT (1 800 433-9258)

Français



FICHE TECHNIQUE

120 V c.a./c.c

1 700 W

13,0A (DW357, DW358, DW360, DW361)

13,5A (DW363)

15,0A (DW359, DW362)

Importantes mesures de sécurité

AVERTISSEMENT : Afin de réduire les risques d'incendie, de secousses électriques ou de blessures lorsqu'on utilise des outils électriques, il faut toujours respecter les mesures de sécurité suivantes.

LIRE TOUTES LES DIRECTIVES.

Double isolation

Les outils à double isolation comportent deux couches distinctes d'isolant électrique ou une double épaisseur d'isolant qui protègent l'utilisateur contre les risques de blessures provenant du système électrique de l'outil. Ce système de double isolation élimine le besoin de mettre les outils à la terre. En effet, l'outil est muni d'une fiche à deux broches, ce qui permet d'utiliser une rallonge ordinaire sans avoir à se soucier d'assurer la mise à la terre.

NOTE : La double isolation ne dispense pas des mesures de sécurité normales lors de l'utilisation de l'outil. Elle vise à procurer une protection supplémentaire contre les blessures que peut entraîner une défectuosité de l'isolant électrique à l'intérieur de l'outil.

MISE EN GARDE : LORS DE L'ENTRETIEN, N'UTILISER QUE DES PIÈCES DE RECHANGE IDENTIQUES. Réparer ou remplacer les cordons endommagés.

Fiche polarisée

Afin de réduire les risques de secousses électriques, l'outil est muni d'une fiche polarisée (une lame plus large que l'autre). Ce genre de fiche n'entre que d'une façon dans une prise polarisée. Lorsqu'on ne peut insérer la fiche à fond dans la prise, il faut tenter de le faire après avoir inversé les lames de côté. Si la fiche n'entre toujours pas dans la prise, il faut communiquer avec un électricien certifié. Il ne faut en aucun cas modifier la fiche.

Mesures de sécurité pour tous les outils

- **BIEN DÉGAGER LA SURFACE DE TRAVAIL.** Des surfaces et des établis encombrés peuvent être la cause de blessures.
- **TENIR COMPTE DU MILIEU DE TRAVAIL.** Protéger les outils électriques de la pluie. Ne pas s'en servir dans des endroits humides ou mouillés. Bien éclairer la surface de travail. Ne pas se servir de l'outil en présence de liquides ou de vapeurs inflammables.
- **SE PROTÉGER CONTRE LES SECOURS ÉLECTRIQUES.** Éviter tout contact avec des objets mis à la terre, comme des tuyaux, radiateurs, cuisinières, réfrigérateurs et autres objets du genre.
- **ÉLOIGNER LES ENFANTS.** Tous les visiteurs doivent être tenus à l'écart de l'aire de travail et il faut les empêcher de toucher à l'outil ou au cordon de rallonge.
- **RANGER LES OUTILS INUTILISÉS.** Il faut ranger les outils dans un endroit sec, situé en hauteur ou fermé à clé, hors de la portée des enfants.
- **NE JAMAIS FORCER L'OUTIL.** Afin d'obtenir un rendement sûr et efficace, utiliser l'outil à son rendement nominal.
- **UTILISER L'OUTIL APPROPRIÉ.** Ne jamais exiger d'un petit outil ou d'un accessoire le rendement d'un outil de fabrication plus robuste. Se servir de l'outil selon l'usage prévu.
- **PORTER DES VÊTEMENTS APPROPRIÉS.** Éviter de porter des vêtements amples et des bijoux qui peuvent être happés par les pièces en mouvement. Porter des gants de caoutchouc et des chaussures à semelle antidérapante pour travailler à l'extérieur. Protéger la chevelure si elle est longue.
- **PORTER DES LUNETTES DE SÉCURITÉ.** Porter également un masque respiratoire si le travail de coupe produit de la poussière.
- **NE PAS MANIPULER LE CORDON DE FAÇON ABUSIVE.** Ne pas transporter l'outil par le cordon ni tirer sur ce dernier pour le débrancher de la prise. Éloigner le cordon des sources de chaleur, des flaques d'huile et des arêtes tranchantes.

- **ASSUJETTIR LA PIÈCE.** Immobiliser la pièce à l'aide de brides ou d'un étau. On peut alors se servir des deux mains pour faire fonctionner l'outil, ce qui est plus sûr.
- **NE PAS DÉPASSER SA PORTÉE.** Toujours demeurer dans une position stable et garder son équilibre.
- **PRENDRE SOIN DES OUTILS.** Conserver les outils propres pour qu'ils donnent un rendement supérieur et sûr. Suivre les directives concernant la lubrification et le remplacement des accessoires. Inspecter régulièrement le cordon de l'outil et le faire réparer au besoin à un atelier d'entretien autorisé. Inspecter régulièrement les cordons de rallonge et les remplacer lorsqu'ils sont endommagés. S'assurer que les poignées sont toujours propres, sèches et libres de toute tache d'huile ou de graisse.
- **DÉBRANCHER OU VERROUILLER EN POSITION HORS TENSION LES OUTILS NON UTILISÉS.** Respecter cette mesure lorsqu'on ne se sert pas de l'outil, ou qu'on doit le réparer ou en changer un accessoire (comme une lame, un foret ou un couteau).
- **ENLEVER LES CLÉS DE RÉGLAGE.** Prendre l'habitude de vérifier si les clés de réglage ont été retirées avant de faire démarrer l'outil.
- **ÉVITER LES DÉMARRAGES ACCIDENTELS.** Ne pas laisser le doigt sur l'interrupteur lorsqu'on transporte l'outil. S'assurer que l'interrupteur est à la position hors circuit lorsqu'on branche l'outil.
- **CORDONS DE RALLONGE.** S'assurer que le cordon de rallonge est en bon état. Lorsqu'on se sert d'un cordon de rallonge, s'assurer qu'il est de calibre approprié pour la tension nécessaire au fonctionnement de l'outil. L'utilisation d'un cordon de calibre inférieur occasionne une baisse de tension entraînant une perte de puissance et la surchauffe. Le tableau suivant indique le calibre approprié selon la longueur du cordon et les mentions de la plaque signalétique de l'outil. En cas de doute, utiliser un cordon de calibre supérieur. Le chiffre indiquant le calibre est inversement proportionnel au calibre du cordon.

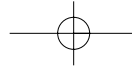
Calibre minimal des cordons de rallonge

Longueur totale du cordon						
25 ft.	50 ft.	75 ft.	100 ft.	125 ft.	150 ft.	175 ft.
7,6 m	15,2 m	22,9 m	30,5 m	38,1 m	45,7 m	53,3 m
Intensité						
18 AWG	18 AWG	16 AWG	16 AWG	14 AWG	14 AWG	12 AWG

- **CORDONS DE RALLONGE PRÉVUS POUR L'EXTÉRIEUR.** Lorsque l'outil est utilisé à l'extérieur, ne se servir que d'un cordon de rallonge conçu pour l'extérieur et portant la mention appropriée.
- **DEMEURER VIGILANT.** Travailler avec vigilance et faire preuve de bon sens. Ne pas se servir de l'outil lorsqu'on est fatigué.
- **VÉRIFIER LES PIÈCES ENDOMMAGÉES.** Avant de continuer à utiliser l'outil, il faut vérifier si le protecteur ou toute autre pièce endommagée remplit bien la fonction pour laquelle il a été prévu. Vérifier l'alignement et les attaches des pièces mobiles, le degré d'usure des pièces et leur montage, ainsi que tout autre facteur susceptible de nuire au bon fonctionnement de l'outil. Faire réparer ou remplacer tout protecteur ou toute autre pièce endommagée dans un centre de service autorisé, sauf si le présent guide fait mention d'un avis contraire. Confier le remplacement de tout interrupteur défectueux à un centre de service autorisé. Ne jamais se servir d'un outil dont l'interrupteur est défectueux.

Mesures de sécurité additionnelles relatives aux scies circulaires

- **MISE EN GARDE :** Lorsqu'on coupe dans les murs, les planchers ou tout autre endroit où peuvent se trouver des fils sous tension, **NE PAS TOUCHER AUX COMPOSANTS MÉTALLIQUES DE L'OUTIL.** Ne le saisir que par ses surfaces en plastique afin de se protéger des secousses électriques si on entre en contact avec un fil sous tension.
- **S'ASSURER QUE LES PROTECTEURS EN PLACE ET EN ÉTAT DE FONCTIONNEMENT.** Ne jamais bloquer ni attacher le protecteur inférieur en position ouverte. Vérifier le fonctionnement du protecteur inférieur avant chaque utilisation. Ne pas se servir de l'outil lorsque le protecteur inférieur ne se ferme pas complètement sur la lame. **MISE EN GARDE :** Si la scie tombe, le protecteur inférieur peut se tordre et ne plus se refermer complètement.
- **S'ASSURER QUE LES LAMES SONT PROPRES ET AFFÛTÉES.** Des lames affûtées minimisent les risques de calage et de rebond.
- **DANGER : ÉLOIGNER LES MAINS DE LA ZONE DE COUPE.** Éloigner les mains de la lame. Ne pas placer les mains sous la pièce à découper pendant les travaux lorsque la lame tourne. Ne pas tenter de retirer du matériau lorsque la lame est en mouvement. **MISE EN GARDE :** La lame continue de tourner après la mise hors tension.
- **SOUTENIR LES GRANDS PANNEAUX.** Il faut soutenir les panneaux de grandes dimensions de la façon illustrée à la figure 16 afin de minimiser les risques de coincement de la lame et de rebond. Lorsqu'il faut déposer la scie contre la pièce à découper pendant les travaux, il faut la déposer sur la partie la plus large du matériau et découper la plus petite partie.
- **UTILISER UN GUIDE DE REFENTE.** Toujours utiliser un guide de refente ou un guide à rebord droit lors des coupes en refente.
- **SE PROTÉGER CONTRE LES RISQUES DE REBOND.** Le rebond se produit lorsque la lame se bloque rapidement et qu'elle ressort du matériau vers l'utilisateur. Il faut relâcher immédiatement l'interrupteur en cas de blocage ou de calage. Maintenir les lames bien affûtées. Soutenir les panneaux de grandes dimensions de la façon illustrée à la figure 16. Utiliser un guide de refente ou à rebord droit lors des coupes en refente. Ne pas forcer l'outil. Rester vigilant; maîtriser la situation. Ne pas retirer la scie du matériau lorsque la scie est en mouvement.
- **PROTECTEUR INFÉRIEUR.** Utiliser le ressort de rappel pour



soulever le protecteur inférieur.

- **RÉGLAGES.** S'assurer que les réglages de coupe en biseau et de profondeur sont bien serrés avant la coupe.
- **LORS DU MONTAGE, UTILISER SEULEMENT DES LAMES APPROPRIÉES.** Ne pas utiliser une lame dont le diamètre du trou n'est pas approprié. Ne jamais utiliser des rondelles ou des boulons de lames défectueux ou de dimensions inappropriées.
- **ÉVITER DE COUPER DES CLOUS.** Examiner la pièce à découper pour s'assurer qu'elle ne renferme aucun clou avant les travaux. Le cas échéant, les retirer.

⚠ **AVERTISSEMENT :** Certains outils, tels que les sableuses électriques, les scies, les meules, les perceuses ou certains autres outils de construction, peuvent soulever de la poussière contenant des produits chimiques susceptibles d'entraîner le cancer, des malformations congénitales ou pouvant être nocifs pour le système reproductif. Parmi ces produits chimiques, on retrouve :

- le plomb dans les peintures à base de plomb;
- la silice cristalline dans les briques et le ciment et autres produits de maçonnerie;
- l'arsenic et le chrome dans le bois de sciage ayant subi un traitement chimique (CCA).

Le risque associé à de telles expositions peut varier selon la fréquence avec laquelle on effectue ces travaux. Pour réduire l'exposition à de tels produits, il faut travailler dans un endroit bien ventilé et utiliser l'équipement de sécurité approprié tel un masque anti-poussières spécialement conçu pour filtrer les particules microscopiques.

CONSERVER CES MESURES.

Moteur

Un moteur DeWalt entraîne l'outil DeWalt. Veiller à ce que la tension d'alimentation soit conforme aux exigences de la plaque signalétique de l'outil. La mention 120 volts c.a./c.c. signifie que l'outil fonctionne

également sur une alimentation en courant alternatif ou continu. Une baisse de tension entraîne une perte de puissance et la surchauffe. Tous les outils DeWalt sont essayés avant de quitter l'usine. Lorsque celui-ci refuse de fonctionner, vérifier la source de courant électrique.

Frein électrique (MODELÈS DW360, DW361, DW362 ET DW363 SEULEMENT)

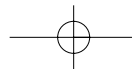
La scie est dotée d'un frein électrique automatique conçu pour arrêter la lame en environ deux secondes lorsqu'on relâche l'interrupteur à détente. Ce dispositif est des plus pratiques lorsqu'on effectue une coupe dans du bois et que le débrayage de la lame causerait une large coupe imprécise.

Il arrive parfois, dans certaines conditions, que le frein ne fonctionne pas convenablement et qu'il n'arrête pas la lame dans les deux secondes précitées. Dans ce cas, mettre la scie en circuit et hors circuit quatre ou cinq fois de file. Si le frein n'arrête toujours pas la lame en environ deux secondes, il se peut que les balais soient usés. Les remplacer de la manière indiquée dans la prochaine rubrique et essayer de nouveau la scie. Si le problème persiste, confier la réparation de l'outil à un centre de service ou à un atelier d'entretien autorisé.

Balais

DÉBRANCHER L'OUTIL AVANT D'EN FAIRE L'ENTRETIEN.

Inspecter régulièrement les balais en charbon en débranchant d'abord la scie, en retirant le couvercle d'inspection des balais (fig. 2) et en sortant l'assemblage-balais. S'assurer que les balais sont propres et qu'ils glissent bien dans leurs guides. Toujours remplacer les balais usés par des balais placés dans le même sens dans le porte-balai. Différents symboles sont inscrits sur les côtés des balais en charbon. Lorsque le balai est usé jusqu'à la ligne la plus près du ressort, il faut le remplacer. N'utiliser que des balais de rechange identiques DeWalt. Il faut toujours remplacer les deux balais. Il faut



utiliser des balais de même qualité pour s'assurer du bon fonctionnement du frein électrique (dans le cas des modèles qui en sont pourvus). Le centre de service de la région vend des balais de rechange. Il faut laisser l'outil fonctionner à vide (sans charge et sans lame) pendant dix minutes avant de l'utiliser afin de permettre aux nouveaux balais de s'installer. Cette mesure est des plus importantes car les scies dotées de freins électriques peuvent fonctionner de façon irrégulière jusqu'à ce que les balais se placent.

Pendant le fonctionnement à vide de la scie, **NE PAS ATTACHER, COLLER NI BLOQUER DE TOUTE AUTRE FAÇON L'INTERRUPTEUR À DÉTENTE. LE TENIR À LA MAIN SEULEMENT.**

Réglage et installation

INSTALLATION ET RETRAIT DE LA LAME

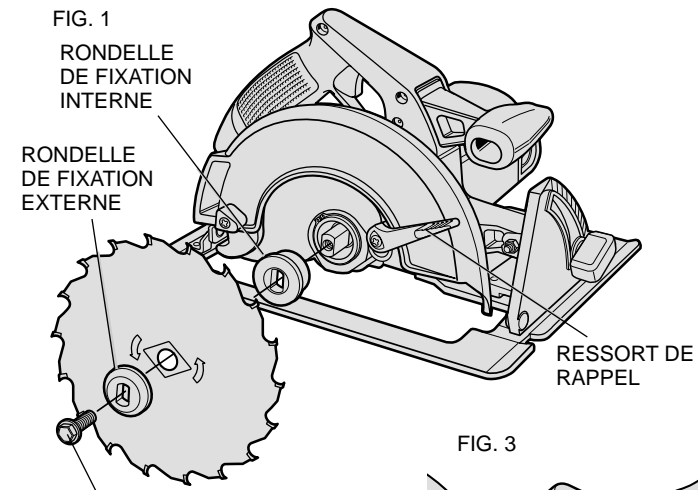
DÉBRANCHER LA SCIE.

Pour installer la lame, escamoter le protège-lame inférieur et placer la rondelle de fixation interne et la lame sur l'arbre de la scie en plaçant la face imprimée de la lame vers l'extérieur (les dents au bas de la lame pointant vers l'avant) (fig. 1). Installer la rondelle de fixation externe de la lame sur l'arbre de la scie. Les surfaces larges des deux rondelles doivent se trouver sur la lame. Serrer fermement à la main la vis de fixation de la lame de manière à retenir les deux rondelles en place.

Enfoncer légèrement le dispositif de verrouillage de la lame (fig. 2) en faisant tourner l'arbre jusqu'à ce que la lame s'immobilise. Serrer fermement (dans le sens horaire) la vis de fixation de la lame avec la clé de la scie (fig. 3).

NE JAMAIS ENGAGER LE DISPOSITIF DE VERROUILLAGE DE LA LAME LORSQUE LA SCIE FONCTIONNE NI POUR IMMOBILISER L'OUTIL. NE JAMAIS METTRE LA SCIE EN MARCHÉ LORSQUE LE DISPOSITIF DE VERROUILLAGE DE LA LAME EST EN PLACE, AU RISQUE DE GRAVEMENT

FIG. 1



VIS DE FIXATION DE LA LAME

FIG. 2

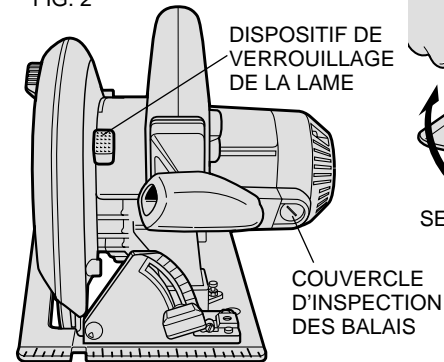


FIG. 3

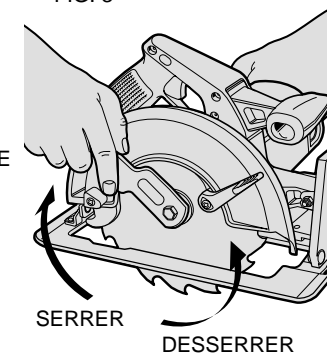
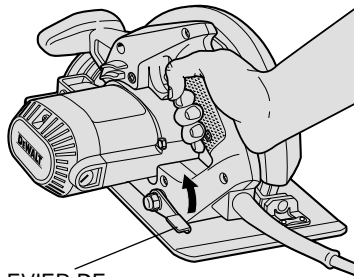


FIG. 4



LEVIER DE RÉGLAGE DE LA PROFONDEUR

FIG. 5

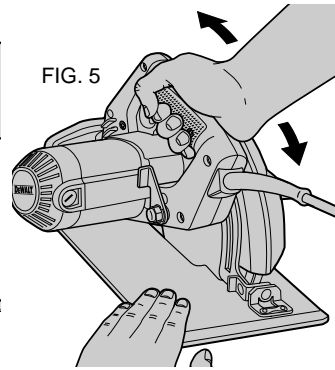


FIG. 5A



FIG. 5B



FIG. 6

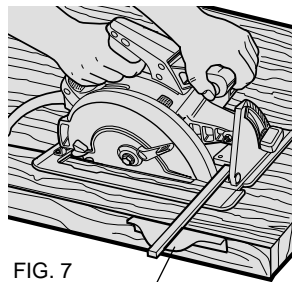
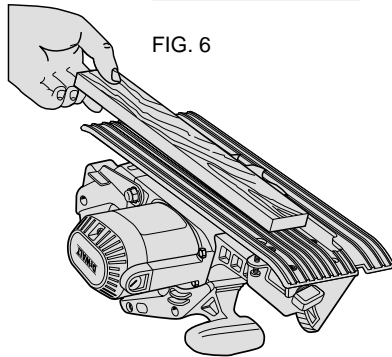


FIG. 7
GUIDE DE REFENTE

ENDOMMAGER LA SCIE.

Pour retirer la lame, débrancher tout d'abord la scie. Mettre le dispositif de verrouillage de la lame en place et desserrer la vis de fixation de la lame en la faisant tourner dans le sens antihoraire à l'aide de la clé de la lame.

**RÉGLAGE DE LA PROFONDEUR DE COUPE
DÉBRANCHER LA SCIE.**

Saisir fermement la scie comme le montre la figure 4. Desserrer (dans le sens antihoraire) le levier de réglage de la profondeur de coupe et déplacer le patin de façon à obtenir la profondeur de coupe voulue, illustré à la figure 5. Bien resserrer (dans le sens horaire) le levier de réglage de la profondeur de coupe avant de se servir de la scie.

La scie est munie d'une lame à dents au carbure qui en prolongent la durée et en rend la coupe des plus efficaces.

Pour optimiser les résultats de coupe lorsqu'on utilise une lame à dents au carbure, régler la profondeur de coupe de sorte qu'une moitié de dent de la lame sorte du dessous du matériau à découper. La hauteur de la dent correspond à la distance à partir du bout de la dent jusqu'au fond du creux en forme d'hameçon situé devant la dent. Bien examiner les figures 5A et 5B afin de déterminer à quoi correspond une moitié de dent. (La figure 5A montre une moitié de dent sortant du dessous du matériau et la figure 5B montre toute une dent sortant du dessous du matériau.)

Cette mesure minimise la friction de la lame, permet l'évacuation de la sciure, assure une coupe rapide et en douceur tout en réduisant les risques de rebond.

La figure 6 illustre la marche à suivre pour vérifier le réglage de la profondeur. Déposer un échantillon du matériau à découper le long de la lame. Remarquer comment la dent de la lame sort de l'échantillon.

NOTE : Lorsqu'on utilise une lame dont les dents ne sont pas au carbure, ne pas se conformer aux directives précédentes et faire

sortir la dent au complet du matériau à découper (fig. 5B).

RÉGLAGE POUR COUPES EN BISEAU
DÉBRANCHER LA SCIE.

La gamme complète de réglage pour les coupes en biseau va de **0 À 50 DEGRÉS**. Le secteur est calibré en multiples de 5 degrés.

Le mécanisme de réglage de l'angle de coupe se trouve à l'avant de la scie (figure 8) et il consiste en un secteur calibré et en un levier ou un bouton. Le réglage de la scie pour les coupes en biseau se fait en desserrant (dans le sens antihoraire) le levier ou le bouton du secteur, et en faisant basculer le patin jusqu'à ce qu'on obtienne l'angle voulu en alignant l'indicateur sur l'angle indiqué. Resserrer fermement (dans le sens horaire) le levier ou le bouton.

NOTE : L'indicateur qui se trouve entre le levier ou le bouton et le secteur peut être réglé en desserrant sa vis. Bien la resserrer après le réglage.

INDICATEUR DE VOIE

À l'avant du patin de la scie, il y a un indicateur de voie (fig. 8) servant aux coupes à la verticale et en biseau. L'indicateur permet de guider la scie le long de lignes de coupe tracées sur le matériau à découper. L'indicateur s'aligne sur le côté gauche (interne) de la lame de la scie permettant à la lame de couper la voie à droite de l'indicateur. Guider la scie le long de la ligne de coupe tracée de sorte que la voie se trouve du côté du surplus de matériau (voir la figure 9). La figure 9 montre les dimensions du patin. Il est à noter que le côté gauche mesure 139 mm (5 1/2 po) (127 mm (5 po) pour les modèles—DW359, DW362, DW363) entre le côté gauche de la lame et l'extrémité gauche du patin (mesure standard d'une pièce de bois de 6 po sur x 6 po), tandis que le côté droit mesure 38 mm (1 1/2 po) (mesure standard d'une pièce de bois de 2 po sur x 2 po).

RÉGLAGE DU PATIN

La scie est réglée à l'usine pour assurer la précision des coupes verticales (angle de 90° entre le dessous du patin et la lame). Le rebord du patin est également réglé de façon à être parallèle à la lame

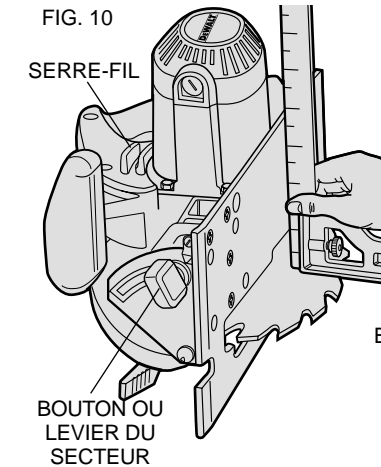
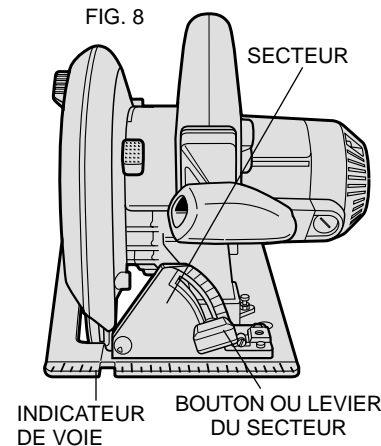
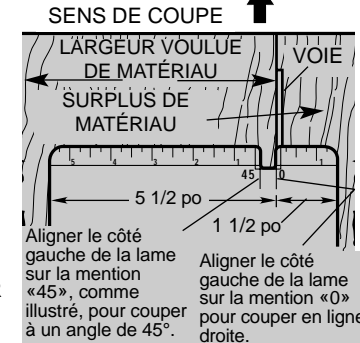


FIG. 9 GUIDER LE LONG DE LA LIGNE TRACÉE DE SORTE QUE LA VOIE SE TROUVE DANS LE SURPLUS DE MATÉRIAU.



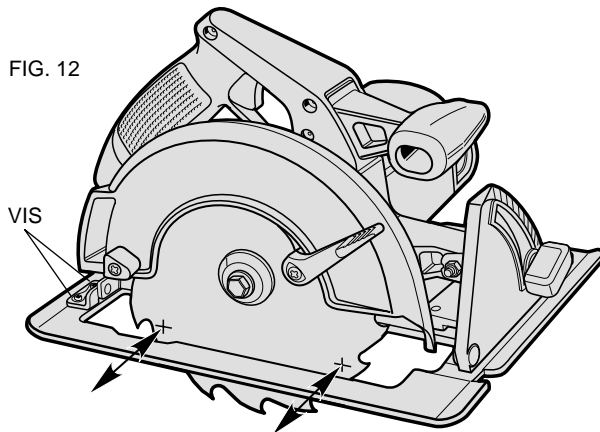


FIG. 12

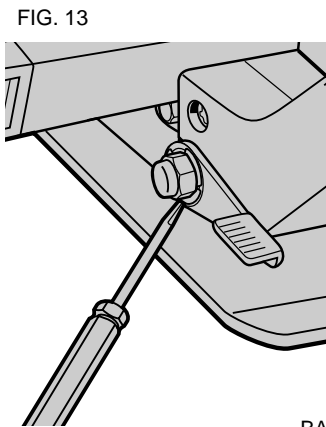


FIG. 13

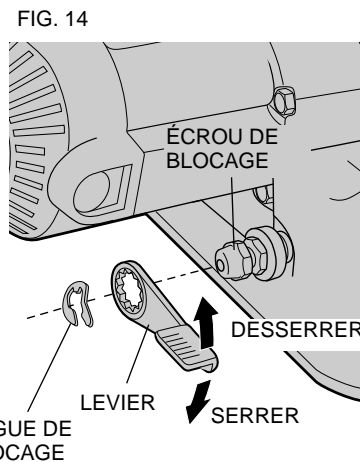


FIG. 14

afin que celle-ci ne bloque pas lorsqu'on utilise un guide. Dans le cas peu probable où il faudrait régler la scie, voici la marche à suivre.

RÉGLAGE POUR COUPES À 90°

1. Débrancher la scie.
2. Régler la scie à la mention 0°.
3. Placer la scie sur le côté (fig. 10). Escamoter le protège-lame.
4. Desserrer le levier ou le bouton du secteur (fig. 10). Placer une équerre contre la lame et le patin afin de régler l'angle à 90°.
5. Desserrer l'écrou hexagonal et déplacer la vis de réglage de manière à ce que le patin s'arrête à l'angle voulu, comme le montre la figure 11. Bloquer la vis en place en resserrant l'écrou hexagonal.
6. Il peut être nécessaire de régler l'indicateur du secteur de manière à l'aligner sur la mention «0» après avoir réglé le patin.

RÉGLAGE DU PATIN PARALLÈLE À LA LAME

(La scie est réglée en usine de sorte que la lame soit parallèle au patin. Si l'alignement de ces composantes se défait, le régler comme suit.)

1. Débrancher la scie.
2. Desserrer les deux vis de la bride de réglage à l'arrière du patin, comme le montre la figure 12.
3. Régler le patin jusqu'à ce qu'il soit parallèle à la lame en mesurant à partir du rebord du patin jusqu'à la lame (à l'avant et à l'arrière). On peut mesurer à partir de la partie extérieure de la lame jusqu'au patin (illustré à la figure 12) ou de la partie intérieure de la lame jusqu'à la partie large du patin. (Ne jamais mesurer à partir du bout d'une dent de la lame.)
4. Lorsque le patin est parallèle à la lame, resserrer toutes les vis.

RÉGLAGE DES LEVIERS OU BOUTONS DU RÉGLAGE DE LA PROFONDEUR DE COUPE ET DU SECTEUR

On peut vouloir régler les leviers ou boutons de réglage de la profondeur de coupe ou du secteur. (Ceux-ci peuvent parfois frapper contre le patin lorsqu'ils ne sont pas complètement serrés ou desserrés.) Pour régler l'un ou l'autre, se conformer aux étapes

suivantes.

1. Débrancher la scie.
2. Au moyen d'un petit tournevis, soulever la bague de blocage, comme le montre la figure 13.
3. Retirer le levier et le faire tourner dans le sens voulu d'environ 1/8 de tour. (Plus ou moins, au besoin.)
4. Réinstaller le levier et insérer la bague de blocage en plaçant le côté concave contre le levier pour le retenir en place (fig. 14).

Fonctionnement

INTERRUPTEUR

Enfoncer la détente pour mettre le moteur en marche et la relâcher pour arrêter le moteur. Le dégagement de la détente entraîne automatiquement la mise en service du frein électrique (pour les modèles qui en sont dotés). L'outil ne peut pas être bloqué en marche continue et il ne faudrait jamais essayer de le bloquer dans cette position.

SOUTIEN DU MATÉRIAU À DÉCOUPER

La figure 15 illustre la meilleure position de coupe. Il faut toujours éloigner les mains de la zone de coupe et le cordon électrique est tenu à l'écart de la zone de coupe de sorte qu'il ne peut s'accrocher sur la surface de travail.

Pour éviter les risques de rebond, SOUTENIR le matériau PRÈS de la ligne de coupe (fig. 16). NE PAS soutenir le matériau loin de la ligne de coupe (fig. 17).

Lorsqu'on se sert de la scie, éloigner le cordon de la zone de coupe et l'empêcher de s'accrocher sur la surface de travail. Prendre note que la poignée de la scie est dotée d'un serre-fil conçu spécialement à cet effet (fig. 10 à la page 6). Enfoncer fermement le cordon dans le serre-fil afin de l'éloigner de la lame tout en le gardant à l'œil en tout temps.

AVERTISSEMENT : Il est essentiel de bien soutenir la pièce à

découper et de bien saisir la scie afin de prévenir les risques de blessures. La figure 18 montre la bonne façon de tenir l'outil.

TOUJOURS DÉBRANCHER LA SCIE AVANT DE LA RÉGLER. Placer le « bon » côté du matériau à découper (celui dont l'apparence importe le plus) vers le bas. En effet, la scie coupe vers le haut de sorte que les éclats se trouvent sur la face supérieure de la pièce.

COUPE

Soutenir la pièce à découper de sorte que la ligne de coupe se trouve sur la droite. Placer la partie large du patin sur la partie soutenue du matériau et non sur la partie du matériau qui tombera après la coupe. La figure 18, par exemple, illustre la BONNE façon de découper l'extrémité du matériau; tandis que le figure 19 montre la MAUVAISE façon. Toujours placer le matériau dans un étau. Ne pas essayer de retenir les petites pièces à la main. Soutenir également les pièces en porte-à-faux ou en saillie. Prendre garde lorsqu'on scie des pièces par le bas.

S'assurer que la scie tourne à plein régime avant d'insérer la lame dans la pièce à découper. Il existe des risques de rebond lorsqu'on démarre la scie et que la lame est contre la pièce à découper ou que la lame se trouve dans la voie.

Faire avancer la scie à une vitesse qui ne force pas la lame. La difficulté de la coupe peut varier dans une même pièce en raison de la teneur en humidité et en noeuds du bois. Lorsque l'humidité et les noeuds exercent une surcharge sur la scie, la faire avancer lentement mais assez fermement pour que la scie maintienne son régime.

Lorsqu'on force la scie, on obtient des coupes imprécises et rudes, et il y a risque de rebonds ou de surchauffe du moteur.

Lorsque la scie s'éloigne de la ligne de coupe, ne pas la forcer dans le sens voulu. Relâcher la détente de l'interrupteur et attendre que la scie s'immobilise. Retirer alors la lame de la pièce et reprendre la coupe dans la trajectoire voulue. Dans tous les cas, il faut retirer la lame de la pièce pour modifier le sens de la coupe. Autrement, on

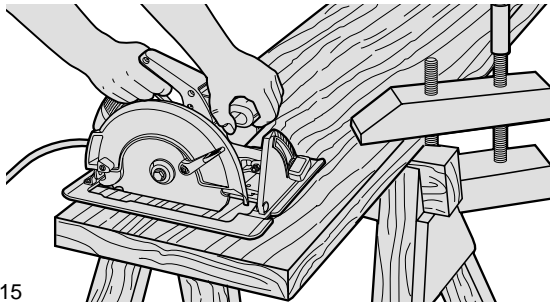


FIG. 15

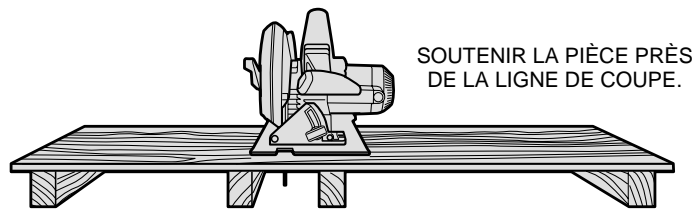


FIG. 16

CORRECT



FIG. 17

**INCORRECT - LE
MATÉRIAU PLIE AU
CONTACT DE LA LAME
CAUSANT DE LOURDES
SURCHARGES OU DES
REBONDS.**

peut faire caler la scie et cela présente des risques de rebonds. **LORSQUE LA SCIE CALE, RELÂCHER L'INTERRUPTEUR À DÉTENTE ET RETIRER LA SCIE DE LA PIÈCE. S'ASSURER QUE LA LAME EST DROITE DANS LA LIGNE DE COUPE AVANT DE REPRENDRE LES TRAVAUX.**

Lorsque la coupe est terminée, relâcher l'interrupteur et attendre que la lame s'immobilise avant de sortir la scie de la pièce. Lorsqu'on soulève la scie, le protège-lame télescopique à ressort se referme automatiquement sous la lame. Se rappeler que la lame est à découvert jusqu'à ce qu'on la retire de la pièce. C'est pourquoi il ne faut jamais mettre les mains sous la pièce. Lorsqu'il faut escamoter le protège-lame télescopique à la main (comme il faut faire avant une coupe en retrait, par exemple), toujours utiliser le ressort de rappel.

NOTE : Lorsqu'on découpe de minces sections de matériau, s'assurer que les petites pièces détachées ne s'accrochent pas à l'intérieur du protège-lame inférieur.

Il est conseillé d'utiliser un guide de refente pour les coupes dans le sens du grain (coupes de refente) (voir la figure 7).

COUPE EN RETRAIT

DÉBRANCHER LA SCIE AVANT DE LA RÉGLER. Régler le patin de sorte que la lame coupe à la profondeur voulue. Faire basculer la scie vers l'avant et appuyer le devant du patin contre le matériau à découper. À l'aide du ressort de rappel, escamoter le protège-lame vers le haut. Abaisser l'arrière du patin jusqu'à ce que les dents de la lame touchent presque à la ligne de coupe. À ce moment, relâcher le protège-lame (son contact avec la pièce le met dans une position lui permettant de s'ouvrir facilement au moment de la coupe) (fig. 20). Mettre le moteur en marche et abaisser graduellement la scie jusqu'à ce que le patin repose contre le matériau à découper. Faire avancer la scie le long de la ligne de coupe jusqu'à la fin des travaux. Relâcher la détente et attendre que la lame s'immobilise avant de retirer la lame du matériau. Répéter les étapes précédentes à chaque nouvelle coupe. Ne jamais bloquer le protège-lame en position ouverte.

Rebond

Lorsque la lame se coince dans la pièce à découper, il y a un rebond. La scie sort alors rapidement de la pièce à découper vers l'utilisateur. Lorsque la lame est coincée en raison de la fermeture de la voie, la lame se bloque et la réaction du moteur fait sortir la scie de la pièce à découper vers l'arrière. Lorsque la lame est coincée ou n'est pas bien alignée sur la ligne de coupe, les dents à l'arrière de la lame peuvent creuser la surface supérieure de la pièce faisant sortir la lame de la voie, vers l'utilisateur.

Les situations suivantes présentent des risques de rebonds.

1. MAUVAIS SOUTIEN DE LA PIÈCE À DÉCOUPER

- A. L'affaissement ou le mauvais soutien de la pièce découpée peut causer le blocage de la lame.
- B. Le découpage d'un matériau seulement soutenu à l'extrémité externe (voir la figure 17) fait affaisser le matériau à mesure qu'il s'affaiblit, refermant ainsi la voie et bloquant la lame.
- C. Le découpage d'une pièce en porte-à-faux ou en saillie à partir du bas vers le haut, à la verticale, provoque le blocage de la lame lorsque la pièce découpée tombe.
- D. Le découpage de longues bandes étroites (coupes en refente) peut causer l'affaissement ou la torsion de la bande bloquant ainsi la voie et coinçant la lame.
- E. L'accrochage du protège-lame inférieur sur la surface sous le matériau peut réduire momentanément la maîtrise de l'utilisateur sur l'outil. La scie peut alors sortir en partie de la pièce augmentant le risque de torsion de la lame.

2. RÉGLAGE INCORRECT DE LA PROFONDEUR DE COUPE

Lorsque le réglage de la profondeur de coupe dépasse la profondeur requise, la charge de l'outil ainsi que les risques de torsion de la lame dans la voie augmentent. Le réglage incorrect augmente également la surface de coinçage de la lame dans le cas où la voie se referme.

3. TORSION DE LA LAME (COUPE MAL ALIGNÉE)

- A. Le fait de pousser fort pour découper un noeud, un clou ou une section à grain dur peut provoquer la torsion de la lame.
- B. Lorsqu'on essaie de faire dévier la scie pendant le découpage (pour revenir dans la ligne de coupe) peut également provoquer la torsion de la lame.
- C. Le fait de s'étirer hors de sa portée ou de ne pas garder son équilibre peut causer la torsion de la lame.
- D. Le changement de position des mains ou du corps pendant la coupe peut provoquer la torsion de la lame.
- E. Le retrait de la scie pour dégager les copeaux de la lame peut faire tordre la lame si le retrait ne se fait pas soigneusement.

4. MATÉRIAUX PRÉSENTANT DES RISQUES

- A. Le bois qui est humide.
- B. Le bois vert; qui est frais coupé ou qui n'a pas encore passé au séchoir.
- C. Le bois qui est traité à la pression (traité avec des agents de conservation ou des produits chimiques contre la moisissure).

5. UTILISATION DES LAMES ÉMOUSSÉES OU SALES

Les lames émoussées augmentent la charge de la scie. Pour compenser, l'utilisateur pousse habituellement fort ce qui charge un peu plus la scie et occasionne la torsion de la lame dans la voie. Les lames usées n'ont pas suffisamment de jeu ce qui augmente les risques de pliage et de surcharge.

6. RETRAIT DE LA SCIE PENDANT LES COUPES EN BISEAU

Les coupes en biseau doivent être faites en respectant un certain nombre de techniques, particulièrement relatives au guidage de la scie. En effet, l'angle de la lame au patin et la grande surface de la lame sur le matériau augmentent les risques de pliage et de torsion.

7. REDÉMARRAGE D'UNE COUPE AVEC LES DENTS DE LA LAME COINCÉES DANS LE MATÉRIAU

Il faut attendre que la scie atteigne son plein régime avant de commencer à découper ou avant de remettre la scie en marche. Autrement, la scie peut caler ou rebondir.

Toute autre condition qui peut occasionner le coincement, le pliage, la torsion ou l'alignement incorrect de la lame peut également résulter en un rebond. Consulter les rubriques relatives aux réglages et à l'installation ainsi qu'au fonctionnement de la scie afin de minimiser les risques de rebond.

Lames

Une lame émoussée procure des coupes lentes et inefficaces qui augmentent la surcharge du moteur, la production excessive d'éclats et les risques de rebond. C'est pourquoi il est conseillé d'avoir à portée de la main quelques lames de rechange qui sont utiles lorsque les lames émoussées se font affûtées (voir la rubrique «Scies - Aiguisage et réparation» des Pages Jaunes). En fait, dans le cas de nombreux types de lames, l'achat de nouvelles lames est plus économique que l'affûtage des lames.

La gomme durcie sur la lame ralentit la coupe. Utiliser du trichloréthylène, du kérosène, de la térébenthine ou un produit nettoyant pour le four pour enlever la gomme.

DeWalt fabrique une gamme complète de lames de scies de 180 mm (7 1/4 po) et les centres de service vendent les types de lames suivants.

VÉRIFIER LES LAMES AU CARBURE AVANT DE S'EN SERVIR. REPLACER LES LAMES ENDOMMAGÉES.

UNIVERSELLE – Coupes universelles et en refente.

POUR COUPES EN TRAVERS – Coupes en travers douces et rapides.

POUR COUPES EN REFENTE – Coupes en refente rapides.

POUR CONTREPLAQUÉ – Coupes au fini satiné dans les contreplaqués. Ces lames réduisent la production d'éclats.

CHARPENTE/REFENTE – Coupes de matériaux de revêtement, de toiture, de parement, de sous-plancher et de formes.

À DRESSER – Coupes en refente et en travers au fini des plus satinés.

PAR FRICTION – Coupes de tôle ondulée et galvanisée.

À MÉTAUX – Coupes de l'aluminium, du cuivre et d'autres métaux malléables.

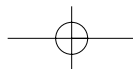
À PLANCHERS – Coupes de matériaux pouvant contenir des clous.

À DENTS AU CARBURE – Coupes de longue durée sans réaffûtage du bois, des agglomérés et d'autres matériaux semblables.

Accessoires

Les détaillants ou le centre de service de la région vendent les accessoires décrits dans le présent guide. La liste des centres de service se trouve sur la carte d'enregistrement du propriétaire dans l'emballage.

Pour trouver un accessoire, communiquer avec DeWALT Industrial Tool Co., 701 East Joppa Road, Baltimore, MD 21286, É.-U. ou composer le 1 800 732-4441.



- A. GUIDE DE REFENTE : Se fixe sur le dessus du patin. Permet des coupes en refente sans avoir à tracer la ligne de coupe au préalable.
- B. RAPPORTEUR : Permet des coupes précises de 0° à 70°.
- C. GUIDE DE TRONÇONNAGE : Pour effectuer des coupes de 45° ou de 90°.

MISE EN GARDE : Les lames et les accessoires recommandés pour la scie circulaire sont indiqués dans le présent guide. L'utilisation de tout autre accessoire peut être dangereuse.

Nettoyage et lubrification

Nettoyer l'outil seulement à l'aide d'un savon doux et d'un linge humide. De nombreux produits de nettoyage domestiques renferment des produits chimiques qui peuvent causer d'importants dommages au plastique. Ne pas utiliser non plus de l'essence, de la térébenthine, de la laque, des solvants, des liquides pour le nettoyage à sec ni tout autre produit semblable. Ne laisser aucun liquide s'infiltrer dans l'outil et ne jamais immerger l'outil.

Important

Pour assurer la SÉCURITÉ D'EMPLOI et la FIABILITÉ de l'outil, n'en confier la réparation, l'entretien et les rajustements (y compris l'inspection et le remplacement des balais) qu'au personnel d'un centre de service DEWALT ou d'un atelier d'entretien autorisé n'utilisant que des pièces de rechange identiques.

Garantie complète

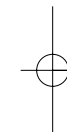
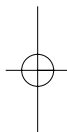
Les outils industriels de service intensif DEWALT sont garantis pendant un an à partir de la date d'achat. Toute pièce d'un outil DEWALT qui s'avérerait défectueuse en raison d'un vice de matière ou de fabrication sera réparée ou remplacée sans frais. Pour obtenir de plus amples renseignements sur les réparations couvertes par la garantie, composer le 1 (800) 4-DEWALT (! (800) 433-9258). La ga-

rantie ne couvre pas les accessoires ni les réparations tentées ou effectuées par des tiers. Les modalités de la présente garantie donnent des droits légaux spécifiques. L'utilisateur peut également se prévaloir d'autres droits selon l'état ou la province qu'il habite.

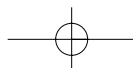
En outre, la garantie suivante couvre les outils DEWALT.

GARANTIE DE SATISFACTION DE 30 JOURS OU ARGENT REMIS

Si, pour quelque raison que ce soit, l'outil industriel de service intensif DEWALT ne donne pas entière satisfaction, il suffit de le retourner chez le marchand participant dans les 30 jours suivant la date d'achat afin d'obtenir un remboursement complet. Il faut retourner, port payé, l'outil complet. On peut exiger une preuve d'achat.

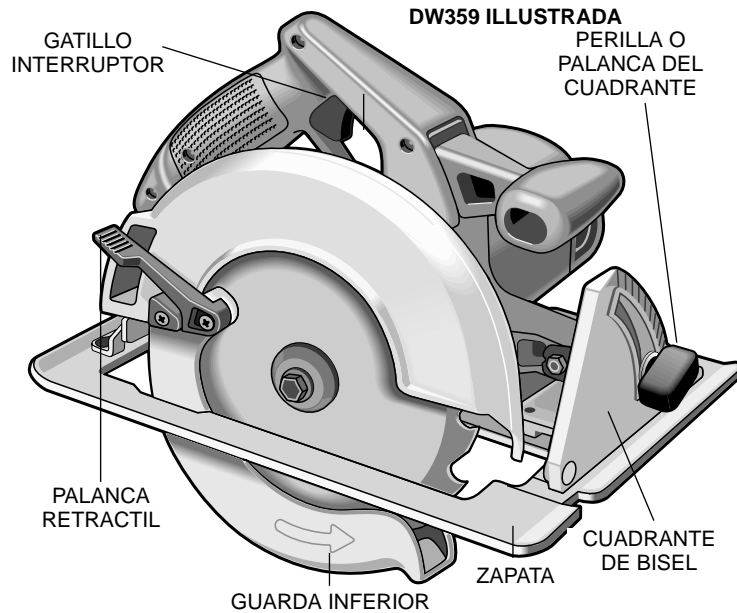


Voir la rubrique "Outils électriques"
des Pages Jaunes
pour le service et les ventes.



SI TIENE USTED PREGUNTAS O COMENTARIOS SOBRE ESTA HERRAMIENTA, O CUALQUIER OTRA HERRAMIENTA DEWALT, SIRVASE LLAMARNOS SIN CARGO AL NÚMERO:

1-800-4-DEWALT (1-800-433-9258)



ESPECIFICACIONES

Tensión de alimentación: 120 V CA/CD
 Potencia nominal: 1700 W
 Consumo de corriente: 13,0 A (DW357, DW 358, DW360, DW361)
 Consumo de corriente: 13,5 A (DW363)
 Consumo de corriente: 15,0 A (DW359, DW362)

Instrucciones importantes de seguridad

ADVERTENCIA: Es indispensable sujetarse a las precauciones básicas de seguridad, con la finalidad de reducir el peligro de incendio, choque eléctrico y lesiones personales, en todas las ocasiones en que se utilicen herramientas eléctricas. Entre estas precauciones se incluyen las siguientes.

LEA TODAS LAS INSTRUCCIONES

Doble aislamiento

Las herramientas con doble aislamiento se han elaborado de manera integral con dos capas separadas o una capa de espesor doble de aislamiento eléctrico entre usted y el sistema eléctrico que contienen. Las herramientas elaboradas con este sistema de aislamiento no requieren conectarse a tierra. Como resultado, su unidad esta equipada con una clavija de dos patas que le permite emplear cordones de extensión sin preocuparse por tener una conexión a tierra.

NOTA: El doble aislamiento no substituye a las precauciones normales de seguridad cuando se opera esta herramienta. La finalidad de este sistema de aislamiento es ofrecer a usted protección añadida contra la lesión resultante de fallas en el aislamiento eléctrico interno de la herramienta.

PRECAUCION: UTILICE SOLAMENTE REFACCIONES ORIGINALES CUANDO HAGA SERVICIO A SU HERRAMIENTA. Reemplace los cordones eléctricos dañados.

Clavija polarizada

Se emplean clavijas polarizadas (con una pata más ancha que la otra) para reducir los riesgos de choque eléctrico. Cuando el cordón eléctrico cuente con este tipo de clavija, ajustará en un contacto polarizado solamente de una manera. Si la clavija no ajusta completamente en su contacto, inviértala. Si aún así no ajusta, llame

Español

a un electricista calificado para que le instale un contacto polarizado apropiado. No modifique o haga cambios en la clavija por ningún motivo.

Instrucciones de seguridad para todas las herramientas

- **CONSERVE LIMPIA LA ZONA DE TRABAJO.** Las superficies y los bancos con objetos acumulados en desorden propician los accidentes.
- **OTORQUE PRIORIDAD AL AMBIENTE DE TRABAJO.** No deje las herramientas eléctricas expuestas a la lluvia. No las utilice en lugares inundados o mojados. Conserve bien iluminada la zona de trabajo.
- **PROTEJASE CONTRA EL CHOQUE ELECTRICO.** Evite el contacto corporal con superficies aterrizadas, por ejemplo, tuberías, radiadores, antenas y gabinetes de refrigeración.
- **CONSERVE APARTADOS A LOS NIÑOS.** No permita que los visitantes toquen las herramientas o los cables de extensión. Los visitantes deben estar alejados del área de trabajo.
- **GUARDE LAS HERRAMIENTAS QUE NO EMPLEE.** Las herramientas que no se están utilizando deben guardarse en un lugar seco y elevado o bajo llave, fuera del alcance de los niños.
- **NO FUERCE LA HERRAMIENTA.** Esta cumplirá su función mejor y con más seguridad a la velocidad y la presión para las que se diseñó.
- **EMPLEE LA HERRAMIENTA ADECUADA.** No fuerce a una herramienta pequeña o a sus dispositivos de montaje en un trabajo de tipo pesado. No emplee la herramienta en una tarea para la que no se diseñó; por ejemplo, no recurra a una sierra circular para cortar ramas o troncos de árbol.
- **VISTASE DE LA MANERA ADECUADA.** No tenga puestas ropas o artículos de joyería flojos, pues podrían quedar atrapados por las partes móviles de las herramientas. Se recomienda el empleo de guantes de caucho y calzado antiderrapante cuando se trabaja al

aire libre. Cúbrase bien la cabeza para sujetarse el pelo si lo tiene largo.

- **COLOQUESE ANTEOJOS DE SEGURIDAD.** Póngase también una mascarilla contra el polvo si lo produce la operación de corte que va a efectuar.
- **TENGA MUCHO CUIDADO CON EL CORDON ELECTRICO.** Nunca levante la herramienta por el cordón ni tire de éste para desconectarlo del enchufe. Apártelo del calor y los objetos calientes, las sustancias grasosas y los bordes cortantes.
- **SUJETE FIRMEMENTE LOS OBJETOS SOBRE LOS QUE TRABAJE.** Utilice prensas o tornillos de banco para sujetar bien los objetos sobre los que va a trabajar. Esto ofrece mayor seguridad que sujetar los objetos con la mano, y además deja libres ambas manos para operar la herramienta.
- **NO SALGA DE EQUILIBRIO.** Conserve en todo momento bien apoyados los pies, lo mismo que el equilibrio.
- **CUIDE BIEN SUS HERRAMIENTAS.** Conserve sus herramientas bien afiladas y limpias para que funcionen mejor y con mayor seguridad. Obedezca las instrucciones de lubricación y cambio de accesorios. Inspeccione los cordones eléctricos con frecuencia y, si los encuentra dañados, hágalos cambiar o reparar en un centro de servicio autorizado. Revise también con frecuencia las extensiones eléctricas y reemplácelas si están dañadas. Conserve los mangos secos, limpios y libres de aceites y grasas.
- **DESCONECTE LAS HERRAMIENTAS.** Hágalo cuando no las emplee, antes de darles servicio y cuando vaya a cambiarles accesorios como seguetas, discos, brocas y otros dispositivos de corte.
- **RETIRE LAS LLAVES DE AJUSTE Y DE TUERCAS.** Adquiera el hábito de asegurarse de que se han retirado las llaves de ajuste de la herramienta antes de accionarla.
- **EVITE QUE LA HERRAMIENTA SE ACCIONE ACCIDENTALMENTE.** Nunca sostenga una herramienta con el dedo en el interruptor si se encuentra conectada a la corriente eléctrica.

Asegúrese que el interruptor está en la posición de “apagado” antes de conectarla.

- **CORDONES DE EXTENSION.** Asegúrese que su extensión esté en buenas condiciones. Cuando utilice un cordón de extensión, asegúrese de emplear uno con el calibre suficiente para soportar la corriente necesaria para su producto. Una extensión con calibre menor al necesario causará una caída en el voltaje de la línea, resultando en pérdida de potencia y sobrecalentamiento. El cuadro siguiente muestra los calibres correctos para usarse de acuerdo con la longitud de la extensión y el amperaje especificado. Si tiene dudas, utilice el calibre siguiente, más pesado. Cuanto más pequeño el número de calibre del alambre, mayor la capacidad del cable.

Calibre mínimo requerido (AWG) para cables de extensión

Longitud total del cable de extensión

25 ft.	50 ft.	75 ft.	100 ft.	125 ft.	150 ft.	175 ft.
7,6 m	15,2 m	22,9 m	30,5 m	38,1 m	45,7 m	53,3 m

Calibre promedio del alambre

18 AWG	18 AWG	16 AWG	16 AWG	14 AWG	14 AWG	12 AWG
--------	--------	--------	--------	--------	--------	--------

- **CORDONES DE EXTENSION PARA INTEMPERIE.** Cuando trabaje a la intemperie, utilice siempre cordones de extensión diseñados exclusivamente para esta finalidad.
- **NO SE DISTRAIGA.** Concéntrese en lo que está haciendo. Recorra al sentido común. No opere ninguna herramienta si se encuentra fatigado.
- **VERIFIQUE LAS PARTES DAÑADAS.** Antes de seguir empleando cualquier herramienta, es indispensable verificar con mucho cuidado que las guardas u otras partes dañadas puedan operar de la manera adecuada para cumplir con su función. Verifique la alineación de las partes móviles, la firmeza con que deben encontrarse sujetas en sus montaduras, las partes rotas,

las propias montaduras y cualesquiera otros detalles que pudieran afectar a la operación de la herramienta. Las guardas y las otras partes que se encuentren dañadas deberán repararse bien o cambiarse en un centro de servicio autorizado, a menos que se diga otra cosa en el manual del usuario. Haga que se cambien los interruptores dañados en un centro de servicio autorizado. No emplee ninguna herramienta que tenga inutilizado o estropeado el interruptor.

Reglas adicionales de seguridad para sierras circulares

- **PRECAUCION:** Cuando emplee esta herramienta para el corte sobre paredes, suelos u otras zonas en las que puedan encontrarse cables eléctricos “vivos”, ¡NO TOQUE NINGUNA PARTE METALICA FRONTAL DE LA MISMA! Sostenga la sierra sólo por las superficies aislantes de plástico para evitar el choque eléctrico si la sierra entrara en contacto con un cable “vivo”.
- Conserve las guardas en posición y funcionando correctamente. Nunca ate o sostenga abierta la guarda inferior. Verifique el funcionamiento de ésta antes de cualquier operación. No emplee la herramienta si la guarda no cierra completamente sobre el disco. **PRECAUCION:** Si se suelta la sierra, la guarda inferior puede abollarse y restringir la carrera. No opere la herramienta mientras no haya sido reparada.
- **CONSERVE LOS DISCOS LIMPIOS Y CON FILO.** Los discos afilados minimizan atascos, sobrecarga y contragolpes.
- **PELIGRO: CONSERVE LAS MANOS LEJOS DEL AREA DE CORTE.** Mantenga las manos alejadas del disco. No las coloque por debajo de la pieza de trabajo mientras el disco gire. No intente remover el material cortado cuando la sierra se encuentre en movimiento. **PRECAUCION:** El disco continúa en movimiento aún después que se ha soltado el gatillo.
- **APOYE BIEN PANELES LARGOS.** Los paneles grandes se deben soportar como se ilustra en la figura 16 para minimizar el

riesgo de sobrecarga o de contragolpes al atorarse el disco. Cuando la operación de corte requiera que la sierra descansa sobre la pieza de trabajo, ésta debe descansar sobre la parte mayor, y la parte menor debe ser la que se retire.

- **UTILICE UNA GUIA.** Emplee siempre una guía cuando vaya a hacer cortes al hilo.
- **PROTEJASE CONTRA LOS CONTRAGOLPES.** Los contragolpes ocurren cuando la sierra comienza a atascarse rápidamente y salta hacia el operador. Libere el interruptor inmediatamente si el disco se traba o la sierra se atasca. Conserve afilados los discos. Soporte los paneles grandes como se muestra en la figura 16. Utilice una guía. No fuerce la herramienta, y manténgase alerta y en control de la situación. No retire la sierra de un corte mientras el disco esté en movimiento.
- **GUARDA INFERIOR.** Levante la guarda inferior con el mecanismo retráctil.
- **AJUSTES.** Antes de cortar, asegúrese que los ajustes de profundidad y bisel estén apretados.
- **EMPLEE SOLAMENTE LOS DISCOS CORRECTOS EN EL MONTAJE.** No use discos con orificios de tamaño incorrecto. Nunca emplee pernos o tuercas defectuosos o inapropiados.
- **EVITE CORTAR CLAVOS.** Busque y retire todos los clavos de la madera antes de cortar.

⚠ **ADVERTENCIA :** Parte del polvo creado al lijar, aserruchar, moler o perforar con máquina, así como al realizar otras actividades de la construcción, contiene sustancias químicas que se sabe producen cáncer, defectos congénitos u otras afecciones reproductivas. Algunos ejemplos de esas sustancias químicas son:

- plomo de pinturas a base de plomo,
- sílice cristalizado de ladrillos y cemento y otros productos de albañilería, y
- arsénico y cromo de la madera químicamente tratada (CCA).

El riesgo al contacto con estas sustancias varía, según la frecuencia en que se haga este tipo de trabajo. Para reducir la exposición a esas

sustancias químicas: trabaje en un área bien ventilada, y trabaje con equipos de seguridad aprobados, tales como máscaras contra el polvo especialmente diseñadas para filtrar las partículas microscópicas.

CONSERVE ESTAS INSTRUCCIONES

Motor

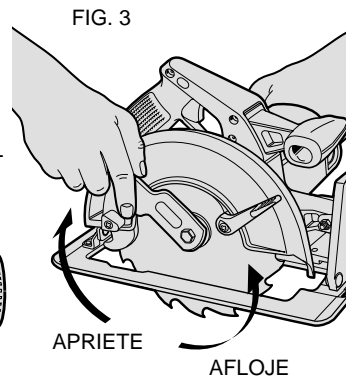
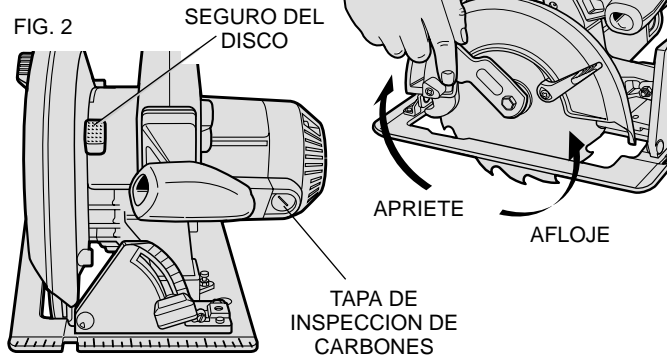
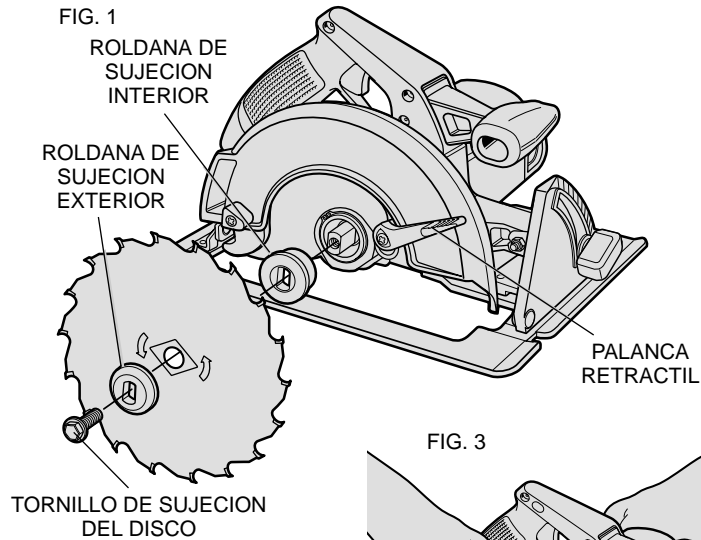
Su herramienta DeWalt cuenta con un motor DeWALT interconstruido. Asegúrese que el voltaje de su toma de corriente concuerda con las especificaciones de la placa de la unidad. 120 Volts AC/DC indican que su herramienta puede operarse con corriente alterna o con corriente continua. Las disminuciones del voltaje mayores de 10% harán que la herramienta pierda potencia y se sobrecaliente. Todas las herramientas DeWalt se han probado en fábrica; si ésta no operara, verifique la toma de corriente del sitio en que la opera.

Freno Eléctrico

(Solamente DW360/DW361/DW362/DW363)

Su sierra cuenta con un freno eléctrico automático diseñado para detener el movimiento del disco aproximadamente dos segundos después que se ha liberado el gatillo interruptor. Esto es de gran utilidad al hacer ciertos cortes en madera en los que la rotación continua del disco daría como resultado un corte impreciso.

Ocasionalmente, bajo ciertas condiciones, el freno puede no funcionar correctamente y no detendrá la sierra en los dos segundos antes mencionados. Si persiste este problema, encienda y apague la sierra cuatro o cinco veces. Si el freno no detiene al disco en dos segundos, el problema puede deberse a carbones desgastados. Reemplace los carbones como se describe a continuación y pruebe de nuevo. Si el problema continúa, lleve su unidad a servicio a un Centro de Servicio DeWALT certificado.



Carbones

DESCONECTE LA CLAVIJA DE LA TOMA DE CORRIENTE ANTES DE EFECTUAR SERVICIO

Inspeccione los carbones regularmente siguiendo estos pasos: desconecte la herramienta, retire la tapa de inspección de carbones (figura 2) y desmonte el ensamble de éstos. Conserve limpios los carbones y asegúrese de que deslicen libremente en sus guías. Siempre vuelva a colocar un carbón usado en su sujetador en la misma orientación que tenía antes de quitarlo. Los carbones tienen varios símbolos estampados a los lados; si se han desgastado hasta la línea más cercana al resorte, deberán reemplazarse. Emplee solamente carbones DEWALT idénticos. Cambie siempre ambos carbones. El uso de carbones de grado correcto es esencial para el funcionamiento adecuado del freno eléctrico. Hay juegos de carbones nuevos a su disposición en su Centro de Servicio local. Se debe dejar en funcionamiento la unidad "sin carga" (en operación sin disco) por 10 minutos antes de usarla para asentar los carbones nuevos. Esto es de especial importancia en sierras con freno eléctrico, que podrían tener un funcionamiento errático mientras los carbones no se encuentren asentados.

Mientras deja funcionando la unidad "sin carga", NO AMARRE, PEGUE O TRABE DE ALGUNA OTRA MANERA EL GATILLO INTERRUPTOR. SUJETELO UNICAMENTE CON LA PRESION DEL DEDO.

Ajustes iniciales

COLOCACION Y REMOCION DE DISCOS

DESCONECTE LA CLAVIJA DE LA TOMA DE CORRIENTE

Para colocar un disco, recorra la guarda inferior y coloque la roldana de seguridad interior y el disco en la flecha, con el lado impreso del disco hacia afuera (los dientes en la parte baja del disco apuntando hacia adelante) (figura 1). Coloque la roldana de seguridad exterior. La superficie mayor de ambas roldanas debe quedar de cara al

disco. Enrosque el tornillo de sujeción firmemente a mano para retener las roldanas en su posición.

Oprima levemente el seguro del disco (figura 2) al girar la flecha hasta que el disco deje de girar. Apriete el tornillo de sujeción del disco (en el sentido de las manecillas del reloj) firmemente con la llave del disco (figura 3).

NUNCA TRABE EL SEGURO DEL DISCO CON LA UNIDAD EN OPERACION O PARA TRATAR DE DETENERLA. TAMPOCO ENCIENDA EL INTERRUPTOR MIENTRAS EL SEGURO DEL DISCO ESTE TRABADO. SU SIERRA PUEDE RESULTAR CON DAÑOS SEVEROS.

Para quitar el disco, desconecte primero la sierra. Trabe el seguro del disco y desenrosque el tornillo de sujeción girándolo en dirección contraria a la de las manecillas del reloj con la llave del disco.

AJUSTE DE LA PROFUNDIDAD DE CORTE
DESCONECTE LA CLAVIJA DE LA TOMA DE CORRIENTE

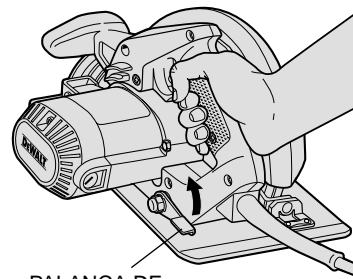
Sujete la sierra con firmeza como se observa en la figura 4. Afloje (sentido contrario a las manecillas del reloj) la perilla de ajuste de profundidad de corte y mueva la zapata para obtener la profundidad deseada (observe la figura 5). Apriete la perilla (en el sentido de las manecillas del reloj) para asegurarla en posición.

Su sierra está equipada con un disco con dientes con punta de carburo para larga duración y corte eficiente.

Para obtener la más eficiente acción de corte con un disco de carburo, coloque el ajuste de profundidad de manera que la mitad de un diente se proyecte por debajo de la pieza a cortar. La altura de un diente completo es igual a la distancia entre la punta del diente y el fondo de garganta que sigue. Examine las figuras 5A y 5B para determinar la mitad referida. (la figura 5A muestra la mitad del diente proyectada por debajo de la superficie y la 5B muestra un diente salido por completo.)

El ajuste de la sierra a la profundidad adecuada conserva al mínimo la fricción en el disco y remueve el aserrín de los dientes de la sierra,

FIG. 4



PALANCA DE AJUSTE DE PROFUNDIDAD

FIG. 5

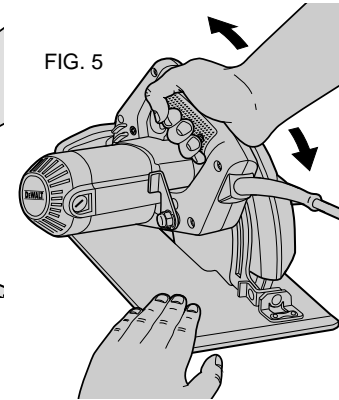


FIG. 5A

FIG. 5B

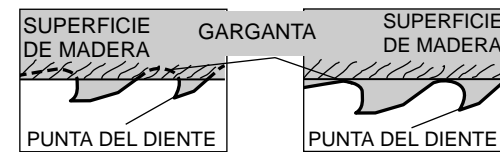


FIG. 6

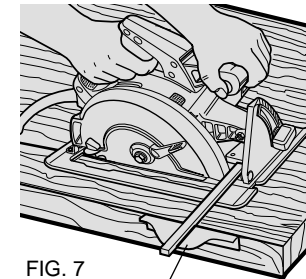
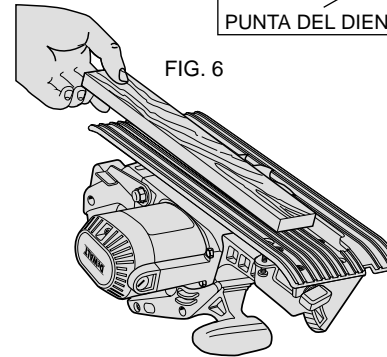
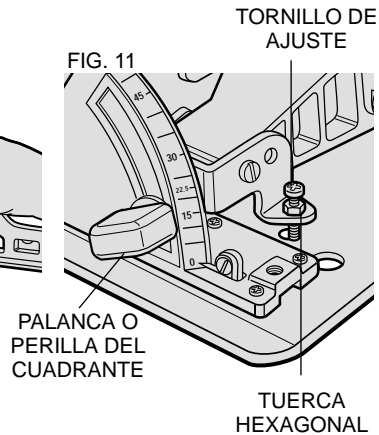
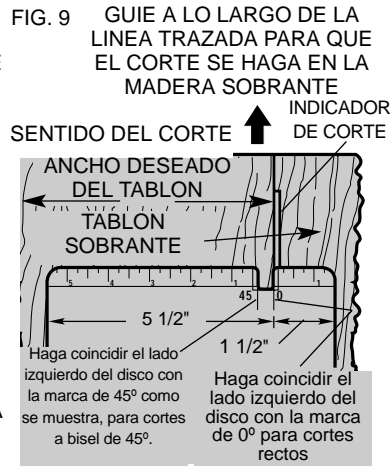
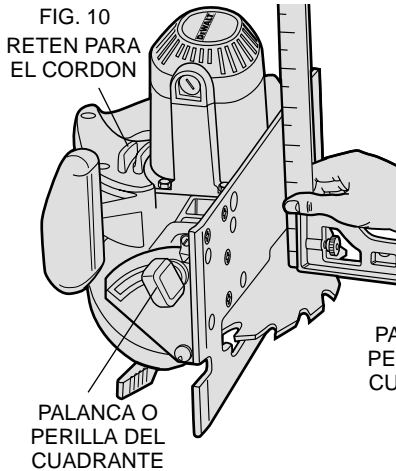
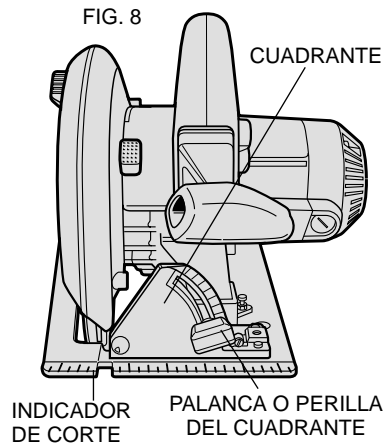


FIG. 7

GUIA PARA CORTE AL HILO



lo que da como resultado un aserrado más frío y rápido y reduce el peligro de contragolpe.

En la figura 6 se ilustra un método para verificar que los ajustes de profundidad de corte sean los adecuados. Coloque una pieza del material que va a cortar junto al disco, como se muestra en dicha figura, y observe qué parte del diente se proyecta desde la pieza.

NOTA: cuando utilice un disco con dientes que no sean de carburo, haga una excepción al procedimiento señalado y permita que el diente salga por completo, como se ilustra en la figura 5B.

AJUSTE DEL ANGULO DE BISEL

DESCONECTE LA SIERRA DE LA TOMA DE CORRIENTE

La capacidad de ajuste del ángulo de bisel es de **0 a 50 GRADOS**. El cuadrante se encuentra graduado en incrementos de 5 grados.

En la parte frontal de la sierra hay un mecanismo de ajuste del ángulo de bisel (figura 8) que consiste en un cuadrante calibrado y una perilla. A fin de ajustar la sierra para cortar a bisel, afloje la perilla del cuadrante (contra las manecillas del reloj) y gire la zapata hasta el ángulo deseado haciendo que coincida la aguja con la marca del ángulo que se desea. Reapriete firmemente la perilla (en el sentido de las manecillas del reloj).

NOTA: El indicador del cuadrante, localizado entre la perilla del cuadrante y éste mismo, se puede ajustar al aflojar o apretar su tornillo. Apriete con firmeza después de ajustar.

INDICADOR DE CORTE

El frente de la zapata está provisto con un indicador (figura 8) para cortes verticales y a bisel. Este indicador le permite guiar la sierra a lo largo de líneas trazadas con lápiz en la pieza por cortar. El indicador está alineado con el lado izquierdo (interior) del disco, lo que hace que la línea de corte quede a la derecha del indicador. Guíe la unidad a lo largo de la línea trazada con lápiz, de manera que el corte quede en la zona de desperdicio o en el sobrante Ver la figura 9. Esta figura muestra las dimensiones de la zapata. Observe

que el lado izquierdo está a 13,3 cm (5-1/2") (127mm–DW359, DW362, DW363) (de distancia entre el lado izquierdo del disco y el extremo izquierdo de la zapata. La dimensión del lado derecho es de 38 mm (1-1/2").

ALINEACION DE LA ZAPATA

Su sierra está ajustada de origen para cortes verticales precisos (ángulo de 90° entre la parte inferior de la zapata y el disco). El extremo de la zapata se ha ajustado en paralelo al disco para no permitir desviaciones cuando se utilice una guía. Si la unidad requiriera algún ajuste, este se puede hacer de la siguiente manera:

AJUSTE PARA CORTES A 90°

1. DESCONECTE LA CLAVIJA DE LA TOMA DE CORRIENTE
2. Ajuste la sierra en bisel a 0°
3. Coloque la sierra de lado (figura 10). Corra la guarda inferior
4. Afloje la perilla del cuadrante (figura 10). Coloque una escuadra contra el disco y la zapata para ajustar a 90.
5. Afloje la tuerca hexagonal y mueva el tornillo de ajuste hasta que la zapata quede en el ángulo correcto, como se ilustra en la figura 11. Asegure el tornillo en su posición reapretando la tuerca hexagonal.
6. Puede ser necesario ajustar la aguja del cuadrante para alinearla con la marca "0" después que la zapata ha sido colocada en posición.

AJUSTE DE LA ZAPATA EN PARALELO CON EL DISCO

(Su sierra se ha ajustado en la fábrica para que el disco y la zapata estén paralelos. Si estas piezas pierden la alineación, ajústelas de la siguiente manera.)

1. Desconecte la clavija de la toma de corriente.
2. Afloje los 2 tornillos en el soporte de ajuste en la parte trasera de la zapata, como se observa en la figura 12.
3. Ajuste la zapata hasta que esté paralela al disco midiendo a partir de los extremos delantero y trasero. Puede medir desde el borde

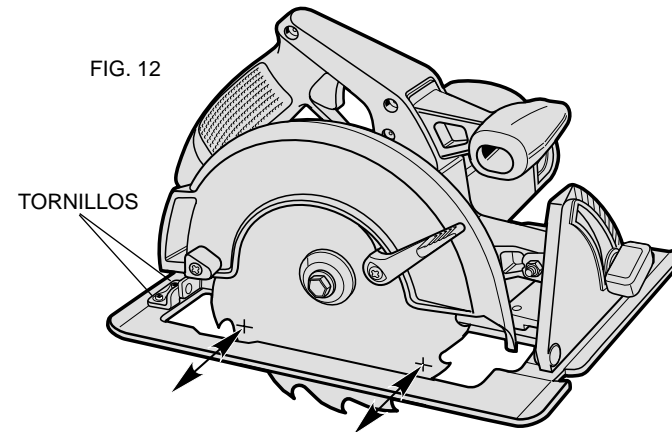


FIG. 12

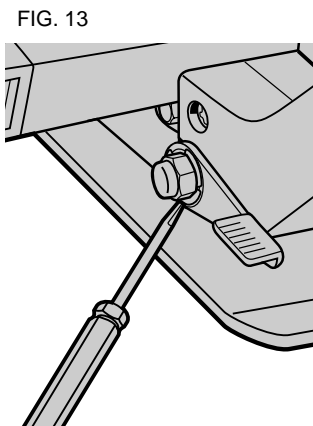


FIG. 13

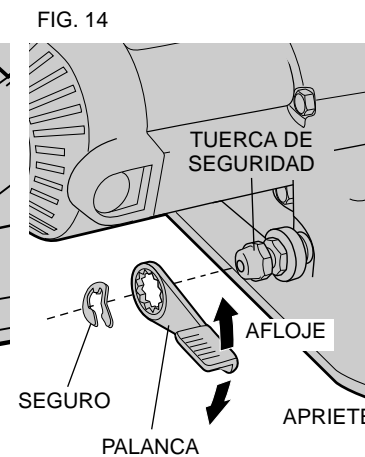


FIG. 14

exterior del disco hacia la zapata, como se indica en la figura 12, o desde el borde interior del disco hacia la parte más ancha de la zapata. (No mida desde las puntas de ningún diente del disco.)

4. Cuando la zapata y el disco queden paralelos, apriete todos los tornillos.

AJUSTE DE PROFUNDIDAD Y DE LAS PALANCAS O PERILLAS DEL CUADRANTE

Usted puede desear hacer cambios en el ajuste de profundidad y en la palanca o perilla de ajuste del cuadrante. (En ocasiones harán contacto con la zapata antes de apretarse o aflojarse completamente.) Para ajustar cualquiera de los niveles, realice el siguiente procedimiento:

1. Desconecte la clavija de la toma de corriente.
2. Quite el anillo de seguro con un destornillador pequeño, como se observa en la figura 13.
3. Quite la perilla y gírela en la dirección deseada aproximadamente 1/8 de revolución. (Más o menos, según sea necesario.)
4. Reinstale la palanca e inserte el anillo de seguridad *con el lado cóncavo contra la palanca* para sujetarla en su sitio. (Figura 14.)

Operación

INTERRUPTOR

Oprima el gatillo interruptor para encender el motor, y suéltelo para apagarlo. Al soltar el gatillo funciona automáticamente el freno eléctrico en las unidades que cuentan con este dispositivo. Esta herramienta no tiene un mecanismo para trabar el interruptor en la posición de encendido, y nunca debe trabarse por ningún otro medio.

SOPORTE PARA LAS PIEZAS DE TRABAJO

La figura 15 ilustra la posición de aserrado correcta. Note que las manos se encuentran retiradas del área de corte y que el cordón eléctrico está claramente fuera del área, de manera que no pueda

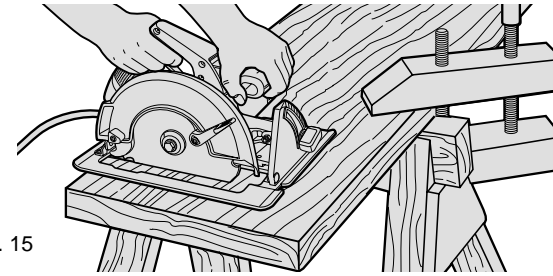


FIG. 15

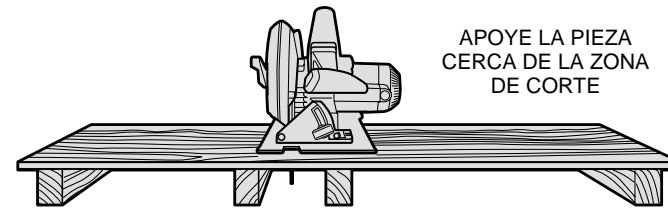


FIG. 16

CORRECTO



FIG. 17

INCORRECTO- EL MATERIAL SE DOBLA EN EL DISCO OCASIONANDO SOBRECARGA O CONTRAGOLPE

quedar atrapado.

Para evitar contragolpes, ofrezca buen soporte a la tabla o tablero CERCA del corte y en ambos extremos (figura 16). NO apoye la tabla o el tablero lejos de la zona de corte (figura 17).

Cuando opere la sierra mantenga el cordón eléctrico alejado del área de corte para evitar que se atore con la pieza de trabajo. Observe que su unidad está provista de un área específica en el asa para retener el cordón, como muestra la figura 10. Simplemente oprima el cordón en la guarda para tenerlo a la vista y fuera de la zona de trabajo.

ADVERTENCIA: Es importante soportar la pieza de trabajo apropiadamente y sostener con firmeza la sierra para prevenir la pérdida de control que pudiera ocasionar una lesión personal; La figura 18 ilustra la manera en que debe sujetarse la sierra.

DESCONECTE SIEMPRE LA SIERRA ANTES DE HACER CUALQUIER AJUSTE. Coloque la pieza con el lado "bueno" (el que tiene el aspecto más importante) boca abajo. La sierra corta hacia arriba, así que cualquier astilladura quedará en la cara del tablón que usted tenga hacia arriba.

CORTE

Coloque la pieza de manera que el corte quede a su lado derecho. Coloque la parte ancha de la zapata en el lado de la pieza que esta sólidamente soportado, no en la sección de la madera que caerá al desprenderse. Como ejemplos, la figura 18 ilustra la manera CORRECTA de cortar el extremo de una tabla, y la figura 19 la forma INCORRECTA. Sujete siempre las piezas de trabajo. ¡No intente sujetar las piezas de corte pequeñas con la mano! Recuerde tener bien apoyadas las partes de las piezas que quedan en el aire. Tenga precaución cuando aserre material por debajo.

Asegúrese de que la sierra ha alcanzado su máxima velocidad antes que el disco entre en contacto con el material que se va a cortar. Arrancar la sierra con el disco en contacto con el material puede provocar contragolpes.

Empuje la sierra hacia adelante a una velocidad que le permita cortar sin hacer esfuerzo. La dureza puede variar aun en la misma pieza, y las secciones resinosas y los nudos pueden añadir una pesada carga a la sierra. Cuando suceda así, empuje lentamente la sierra pero con la fuerza necesaria para conservarla trabajando sin disminución considerable de su velocidad.

Forzar la sierra ocasionara cortes burdos, imprecisión, contragolpes y sobrecalentamiento del motor.

Si al iniciar el corte se desví de la línea trazada, no fuerce la sierra hacia atrás. Suelte el interruptor y permita que el disco se detenga por completo. Retire entonces la sierra, colóquela otra vez e inicie un nuevo corte ligeramente por dentro del corte incorrecto. Pase lo que pase, retire la sierra si necesita desviar el corte. Forzar la corrección en el corte puede atascar la sierra y provocar contragolpes. Si LA SIERRA SE ATASCA, SUELTE EL GATILLO Y RETIRELA HASTA QUE QUEDE LIBRE. ASEGURESE QUE EL DISCO ESTE ALINEADO EN EL CANAL DEL CORTE Y SEPARADO DE LOS BORDES ANTES DE REINICIAR LA OPERACION.

Cuando termine un corte. suelte el gatillo y permita que el disco se detenga completamente antes de levantar la unidad. Cuando levante la sierra, la guarda telescópica se cerrará automáticamente sobre el disco. Recuerde que el disco quedará expuesto hasta que la guarda se accione; nunca coloque las manos por debajo del trabajo por ningún motivo. Cuando por alguna razón tenga que tirar manualmente de la guarda inferior (por ejemplo, para empezar cortes de bolsillo), utilice siempre la palanca retráctil.

NOTA: Cuando corte tiras delgadas, asegúrese que no hayan quedado atrapadas pequeñas astillas dentro de la guarda inferior. Utilice siempre una guía cuando corte al hilo (observe la figura 7).

CORTES DE BOLSILLO

DESCONECTE LA CLAVIJA DE LA TOMA DE CORRIENTE CUANDO HAGA ESTE O CUALQUIER OTRO AJUSTE. Ajuste la zapata de la sierra para que el disco corte a la profundidad

requerida. Incline la sierra hacia adelante, y coloque el frente de la zapata contra el material que va a cortar. Tire de la guarda empleando la palanca retráctil. Baje la parte trasera de la zapata hasta que los dientes de la sierra casi toquen el trazo de corte. En ese momento suelte la guarda del disco, por lo que el contacto que ésta haga con la pieza de trabajo la mantendrá en la posición adecuada para abrirse libremente cuando comience el corte (Figura 20). Encienda el motor y baje la sierra gradualmente hasta que la zapata descansa por completo en el material que va a cortar. Avance la sierra a lo largo de la línea de corte hasta que éste quede terminado. Suelte el gatillo y permita al disco detenerse completamente antes de levantarlo de la pieza. Cada vez que comience con un corte nuevo, repita la operación señalada. Nunca ate la guarda en una posición levantada.

Contragolpes

Hay peligro de contragolpes cuando se ejerce demasiada presión sobre el disco de la sierra al hacer los cortes, o cuando éste queda atrapado en el corte. La sierra salta violentamente hacia el operador. Cuando el disco queda atrapado o aprisionado en el canal del corte que se va cerrando, el disco se traba y la inercia del motor arroja a la unidad hacia atrás. Cuando el disco se desvía del corte, los dientes que se encuentran en la parte de atrás del disco pueden perforar la superficie superior de la madera y hacer que salga del canal del corte y salte hacia atrás, en dirección del operador.

Suelen ocurrir contragolpes cuando se presentan alguna o algunas de las siguientes condiciones:

1. SOPORTE INADECUADO DE LA PIEZA DE TRABAJO

- A. Caída o levantamiento inadecuado de la pieza que se desprende, lo que hace que el disco quede atrapado.
- B. Cortes en material que sólo se apoya por los extremos (ver figura 17). Al tiempo que el material se debilita, éste se pandea y cierra el canal de corte, lo que ocasiona que el

disco quede atrapado.

- C. Corte desde la parte inferior de piezas voladas en dirección vertical. La pieza que caerá podría trabar el disco.
 - D. Corte de tiras largas y angostas (como en cortes al hilo). La pieza que se separa puede trabar el disco.
 - E. Sujetar la guarda inferior con una superficie que se encuentre por debajo del material que se está cortando, lo que reduce por un momento el control del operador. La sierra se puede levantar parcialmente del corte, lo que incrementará la posibilidad de un atorón del disco.
- #### 2. AJUSTE INCORRECTO DE LA PROFUNDIDAD DE CORTE EN LA SIERRA

Emplear la sierra con una profundidad de corte excesiva incrementa la carga sobre la unidad y la posibilidad de que el disco se trabe en el canal de corte. También aumenta el área expuesta a los atascos del disco cuando se ejerce presión excesiva en el canal de corte.

3. DOBLECES EN EL DISCO (DESVIACIONES EN EL CORTE)

- A. Empujar demasiado para cortar a través de un nudo, un clavo o un área de fibras duras puede ocasionar que el disco se doble.
- B. Tratar de girar la sierra durante un corte (tratar de regresar a la línea marcada) puede causar doblez.
- C. Se corren los mismo peligros al tratar de alcanzar zonas alejadas u operar la sierra con poco control del operador (fuera de balance).
- D. Se propicia el mismo riesgo al cambiar de mano o cambiar la posición del cuerpo mientras se corta.
- E. También podría suceder así al regresar la unidad para limpiar el disco si no se hace con cuidado.

4. MATERIALES QUE REQUIEREN DE MAYOR ATENCION

- A. Madera húmeda.

- B. Madera verde (material cortado recientemente o no estufado).
- C. Madera tratada a presión (material tratado con conservadores o anticorrosivos).

5. EMPLEO DE DISCOS SUCIOS O MELLADOS

Los discos sucios o mellados ocasionan carga excesiva en la sierra. Para compensar la carga, el operador empujará normalmente con más fuerza, lo que incrementará la carga aún más y propiciará que el disco se trabe en el canal de corte. Los discos desgastados pueden tener también una luz menor, lo que aumentará la oportunidad de que el disco se doble e incrementará la carga.

6. LEVANTAR LA SIERRA MIENTRAS SE HACEN CORTES A BISEL

Los cortes a bisel requieren que el operador preste atención especial a las técnicas de corte adecuadas sobre todo a la conducción de la sierra. El ángulo del disco contra la zapata y la gran superficie de la cara del disco expuesta al material aumentan las posibilidades de que ocurran desviaciones.

7. REINICIACION DE UN CORTE CON LOS DIENTES DEL DISCO BLOQUEADOS POR EL MATERIAL

Debe permitirse que la sierra alcance su velocidad máxima antes de iniciar un corte después que la unidad se ha detenido con el disco en el canal de corte. No hacerlo así causará que la sierra se atasque y ocurra contragolpe.

Cualesquiera otras condiciones que pudieran originar atorones, dobleces, desvíos o presiones en el disco pueden provocar contragolpes. Revise las secciones de "Ajustes Iniciales" y "Operación" para conocer las técnicas que minimizarán la incidencia de contragolpes.

Discos

Un disco desafilado puede ocasionar sobrecarga en el motor de la sierra y astillado excesivo, e incrementa la posibilidad de que ocurra un contragolpe. Es una buena práctica tener discos de repuesto a la mano para el momento en que se requiera mandar afilar los que se están empleando busque "Afiladurías" en la Sección Amarilla). De hecho, muchos discos de bajo costo se pueden reemplazar por otros con un sobreprecio ligeramente mayor al del afilado.

Las resinas endurecidas en el disco harán más lento el corte. Estas pueden quitarse con kerosene (petróleo diáfano), aguarrás o limpia hornos.

DeWalt fabrica una línea muy completa de discos para sierra de 184 mm (7-1/4") de diámetro, y los discos de la lista siguiente están a su disposición en los centros de servicio.

EXAMINE VISUALMENTE LOS DISCOS DE CARBURO ANTES DE UTILIZARLOS. CAMBIELOS SI ESTAN DAÑADOS.

COMBINACION - Para cortes de todo tipo.

CORTE DE TRAVES - Para cortes de través más suaves y rápidos.

CORTE AL HILO - Para mayor velocidad en cortes al hilo.

MADERA CONTRAPLACADA - Reduce el astillado.

MARCOS/TIRAS - Para alinear y hacer cortes muy precisos.

ALISADORA - Para cortes muy suaves al hilo y de través.

DE FRICCION - Para cortar láminas corrugadas o galvanizadas.

CORTE DE METAL - Para cortar aluminio, cobre y otros metales suaves.

PARA PISO - Para aserrar en materiales en los que se pueden encontrar clavos.

PUNTAS DE CARBURO - Para periodos de trabajo prolongados sin tener que reemplazar el disco. Corta maderas, cartón piedra, Formica y tableros compuestos con otros materiales.

Accesorios

Dispone usted de los accesorios para su herramienta por un cargo adicional con su distribuidor local autorizado. Se incluye una lista completa de los centros de servicio con su herramienta.

Si necesita ayuda para encontrar cualquier accesorio, por favor comuníquese con DeWALT Industrial Tool Co., 701 East Joppa Road, Baltimore, MD 21286 o llame al teléfono 1-800-732-4441.

- A. GUIA PARA CORTES AL HILO: se sujeta a la parte superior de la zapata. Permite hacer con su sierra cortes al hilo sin necesidad de trazos previos con lápiz.
- B. SEPARADOR: Guía la sierra para trabajos en los que hay que separar las piezas. Se ajusta de 0 a 70 grados.
- C. GUIA DE SEPARACION: para cortes en ángulo de 45 ó 90 grados.

PRECAUCION: En este manual aparecen los discos y los accesorios adecuados para su herramienta. Es peligroso emplear discos o accesorios de cualesquiera otros tipos.

Limpieza y lubricación

Solamente emplee jabón suave y un trapo húmedo para limpiar la herramienta. Muchos limpiadores domésticos contienen productos químicos que pueden dañar severamente el plástico. Tampoco utilice gasolina, aguarrás ni adelgazadores de pintura o laca. Nunca permita que penetre líquido al interior de la unidad; nunca sumerja ninguna parte de la herramienta en ningún líquido.

Importante

Para garantizar la SEGURIDAD y la CONFIABILIDAD, deberán hacerse reparaciones, mantenimiento y ajustes de esta herramienta en los centros autorizados de servicio DeWALT u otras organizaciones autorizadas. Estas organizaciones prestan servicio a las herramientas DeWALT y emplean siempre refacciones legítimas DeWALT.

PARA REPARACION Y SERVICIO DE SUS HERRAMIENTAS ELECTRICAS FAVOR DE DIRIGIRSE AL CENTRO DE SERVICIO MAS CERCANO

CULIACAN Av. Nicolas Bravo #1063 Sur	(91 671) 242 10
GAUDALAJARA Av. La Paz #1779	(91 3) 826 69 78.
MEXICO Eje Lázaro Cárdenas No. 18 Local D, Col. Obrera	588-9377
MERIDA Calle 63 #459-A	(91 99) 23 54 90
MONTERREY Av. Francisco I. Madero Pte. 1820-A	(91 83) 72 11 25
PUEBLA 17 Norte #205	(91 22) 46 37 14
QUERETARO Av. Madero 139 Pte.	(91 42) 14 16 60
SAN LOUIS POTOSI Pedro Moreno #100 Centro	(91 48) 14 25 67
TORREON Blvd. Independencia, 96 pte.	(91 17) 16 52 65
VERACRUZ Prolongación Díaz Miron #4280	(91 29) 21 70 16
VILLAHERMOSA Constitucion 516-A	(91 93) 12 53 17

PARA OTRAS LOCALIDADES LLAME AL: 326 7100

Garantía Completa

Las herramientas industriales DeWALT están garantizadas durante un año a partir de la fecha de compra. Repararemos, sin cargos, cualquier falla debida a material o mano de obra defectuosos. Por favor regrese la unidad completa, con el transporte pagado, a cualquier Centro de Servicio para Herramientas Industriales de DeWALT o a las estaciones de servicio autorizado enlistadas bajo "Herramientas Eléctricas" en la Sección Amarilla. Esta garantía no se aplica a los accesorios ni a daños causados por reparaciones efectuadas por terceras personas. Esta garantía le otorga derechos legales específicos, y usted puede tener otros derechos que pueden variar de estado a estado. En adición a la garantía, las herramientas DeWALT están amparadas por nuestra:

GARANTÍA DE SATISFACCIÓN SIN RIESGO POR 30 DÍAS

Si usted no se encuentra completamente satisfecho con el desempeño de su herramienta industrial DeWALT, sencillamente devuélvala a los vendedores participantes durante los primeros 30 días después de la fecha de compra para que le efectúen un reembolso completo. Por favor regrese la unidad completa, con el transporte pagado. Se puede requerir prueba de compra.

Español

IMPORTADO: DeWALT S.A. DE C.V.
BOSQUES DE CIDROS ACCESO RADIATAS NO. 42
COL. BOSQUES DE LAS LOMAS.
05120 MÉXICO, D.F.
TEL. 326-7100

Para servicio y ventas consulte
"HERRAMIENTAS ELECTRICAS"
en la sección amarilla.



