

*If you have questions or comments, contact us.
Pour toute question ou tout commentaire, nous contacter.
Si tiene dudas o comentarios, contáctenos.*

1-800-4-DEWALT • www.dewalt.com

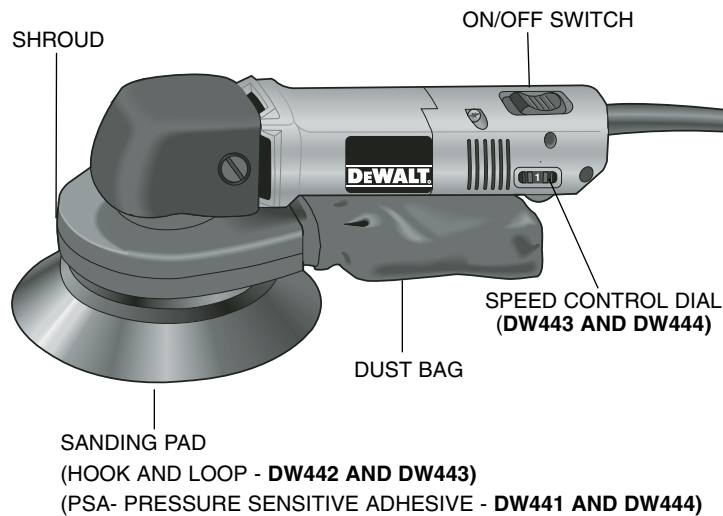
**INSTRUCTION MANUAL
GUIDE D'UTILISATION
MANUAL DE INSTRUCCIONES**

INSTRUCTIVO DE OPERACIÓN, CENTROS DE SERVICIO Y PÓLIZA DE GARANTÍA. **ADVERTENCIA:** LÉASE ESTE INSTRUCTIVO ANTES DE USAR EL PRODUCTO.

DEWALT®

**DW441, DW442, DW443, DW444
Right Angle Random Orbit Sanders
Ponceuses orbitales excentriques à angle droit
Lijadoras orbitales de movimiento múltiple de ángulo recto**

IF YOU HAVE ANY QUESTIONS OR COMMENTS ABOUT THIS OR ANY DEWALT TOOL, CALL US TOLL FREE AT:
1-800-4-DEWALT (1-800-433-9258)



Important Safety Instructions (For all tools)

WARNING: When using electric tools, basic safety precautions should always be followed to reduce risk of fire, electric shock, and personal injury, including the following:

READ ALL INSTRUCTIONS

- **KEEP WORK AREA CLEAN.** Cluttered areas and benches invite injuries.
- **CONSIDER WORK AREA ENVIRONMENT.** Don't expose power tools to rain. Don't use power tools in damp or wet locations. Keep work area well lit.
- **GUARD AGAINST ELECTRIC SHOCK.** Prevent body contact with grounded surfaces; for example, pipes, radiators, ranges, and refrigerator enclosures.
- **KEEP CHILDREN AWAY.** All visitors should be kept away from work area. Do not let visitors contact tool or extension cord.
- **STORE IDLE TOOLS.** When not in use, tools should be stored in dry, and high or locked-up place — out of reach of children.
- **DON'T FORCE A TOOL.** It will do the job better and safer at the rate for which it was intended.
- **USE RIGHT TOOL.** Don't force small tool or attachment to do the job of a heavy duty tool. Don't use tool for purpose not intended; for example, don't use circular saw for cutting tree limbs or logs.
- **DRESS PROPERLY.** Do not wear loose clothing or jewelry. They can be caught in moving parts. Rubber gloves and non-skid footwear are recommended when working outdoors. Wear protective hair covering to contain long hair. Air vents often cover moving parts and should also be avoided.
- **USE SAFETY GLASSES.** Also use face or dustmask if operation is dusty.
- **DON'T ABUSE CORD.** Never carry tool by cord or yank it to disconnect from receptacle. Keep cord from heat, oil, and sharp edges.

- **SECURE WORK.** Use clamps or a vise to hold work. It's safer than using your hand and it frees both hands to operate tool.
- **DON'T OVERREACH.** Keep proper footing and balance at all times.
- **MAINTAIN TOOLS WITH CARE.** Keep tools sharp and clean for better and safe performance. Follow instructions for lubricating and changing accessories. Inspect tool cords periodically and if damaged have repaired by authorized service facility. Inspect extension cords periodically and replace if damaged. Keep handles dry, clean, and free from oil and grease.
- **DISCONNECT OR LOCK OFF TOOLS** when not in use, before servicing, and when changing accessories, such as blades, bits, cutters.
- **REMOVE ADJUSTING KEYS AND WRENCHES.** Form habit of checking to see that keys and adjusting wrenches are removed from tool before turning it on.
- **AVOID UNINTENTIONAL STARTING.** Don't carry plugged-in tool with finger on the switch. Be sure the switch is off when plugging in.
- **OUTDOOR USE EXTENSION CORDS.** When tool is used outdoors, use only extension cords intended for use outdoors and so marked.
- **STAY ALERT.** Watch what you are doing. Use common sense. Do not operate tool when you are tired.
- **CHECK DAMAGED PARTS.** Before further use of the tool, a guard or other part that is damaged should be carefully checked to determine that it will operate properly and perform its intended function. Check for alignment of moving parts, binding of moving parts, breakage of parts, mounting, and any other conditions that may affect its operation. A guard or other part that is defective should be properly repaired or replaced by an authorized service center unless otherwise indicated elsewhere in this instruction manual. Have defective switches replaced by authorized service center. Do not use tool if switch does not turn it on and off.

- **DO NOT OPERATE** portable electric tools near flammable liquids or in gaseous or explosive atmospheres. Motors in these tools normally spark, and the sparks might ignite fumes.

Special Safety Instructions For Sanders

- Always wear eye protection and a respirator when sanding.
- Sanding of lead based paint is not recommended. See page 5 for additional precautions when sanding paint.
- Do not operate the unit without the dust shroud.
- **Do not operate this tool for long periods of time.** Vibration caused by the operating action of this tool may cause permanent injury to fingers, hands, and arms. Use gloves to provide extra cushion, take frequent rest periods, and limit daily time of use.

▲WARNING: Some dust created by power sanding, sawing, grinding, drilling, and other construction activities contains chemicals known to cause cancer, birth defects or other reproductive harm. Some examples of these chemicals are:

- lead from lead-based paints,
- crystalline silica from bricks and cement and other masonry products, and
- arsenic and chromium from chemically-treated lumber (CCA).

Your risk from these exposures varies, depending on how often you do this type of work. To reduce your exposure to these chemicals: work in a well ventilated area, and work with approved safety equipment, such as those dust masks that are specially designed to filter out microscopic particles.

- **Avoid prolonged contact with dust from power sanding, sawing, grinding, drilling, and other construction activities. Wear protective clothing and wash exposed areas with soap and water.** Allowing dust to get into your mouth, eyes, or lay on the skin may promote absorption of harmful chemicals.

▲WARNING: Use of this tool can generate and/or disburse dust, which may cause serious and permanent respiratory or other injury.

Always use NIOSH/OSHA approved respiratory protection appropriate for the dust exposure. Direct particles away from face and body.

⚠ CAUTION: Wear appropriate hearing protection during use. Under some conditions and duration of use, noise from this product may contribute to hearing loss.

Double Insulation

Double insulated tools are constructed throughout with two separate layers of electrical insulation or one double thickness of insulation between you and the tool's electrical system. Tools built with this insulation system are not intended to be grounded. As a result, your tool is equipped with a two prong plug which permits you to use extension cords without concern for maintaining a ground connection.

NOTE: Double insulation does not take the place of normal safety precautions when operating this tool. The insulation system is for added protection against injury resulting from a possible electrical insulation failure within the tool.

⚠ CAUTION: When servicing all tools, **USE IDENTICAL REPLACEMENT PARTS.** Repair or replace damaged cords.

Polarized Plug

This product is supplied with a polarized plug (one blade is wider than the other). This plug will fit into a polarized outlet (receptacle) only one way. If the plug does not fit fully into your outlet, reverse the plug. If it still does not fit, contact a qualified electrician to install a proper polarized outlet. Do not modify or change this plug in any way.

Extension Cords

Make sure your extension cord is in good condition. When using an extension cord, be sure to use one heavy enough to carry the current your product will draw. An undersized cord will cause a drop in line voltage resulting in loss of power and overheating. The table shows the correct size to use depending on cord length and nameplate ampere rating. If in doubt, use the next heavier gage. The smaller the gage number, the heavier the cord.

Volts	Minimum Gage for Cord Sets				
	Total Length of Cord in Feet				
120V	0-25	26-50	51-100	101-150	
240V	0-50	51-100	101-200	201-300	
Ampere Rating		AWG			
More Than	Not more Than				
0	- 6	18	16	16	14
6	- 10	18	16	14	12

SAVE THESE INSTRUCTIONS FOR FUTURE USE

Motor

Be sure your power supply agrees with nameplate marking. 120 AC means your tool may be operated only with alternating current and never with direct current. Voltage decrease of more than 10% will cause loss of power and overheating. All tools are factory tested; if this tool does not operate, check the power supply.

Attaching Sanding Discs

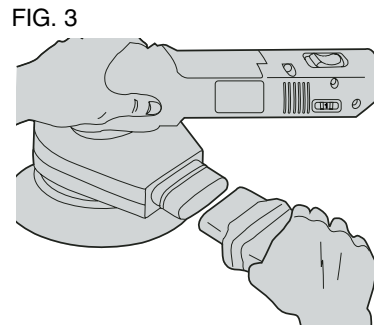
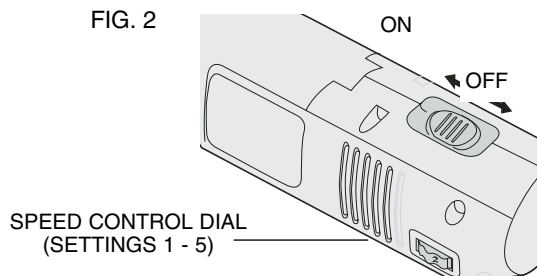
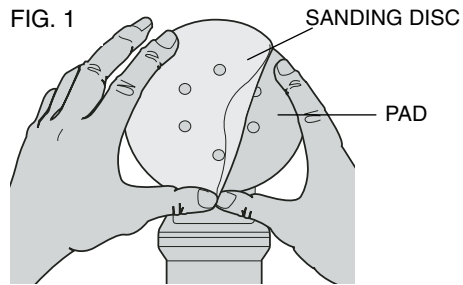
Your sander is designed to use 6" sanding discs with the 6 hole dust extraction pattern.

Hook and Loop (**DW442 and DW443**)

PSA - Pressure Sensitive Adhesive (**DW441 and DW444**)

To attach paper to the sanding pad:

1. Turn off and unplug tool.
2. Turn the sander over so that the sanding pad is facing upward.
3. (DW441 and DW444 only) Clean dust from vinyl pad face.
4. Hold the pad with one hand to keep it from rotating.
5. With the other hand, align the holes and place the disc directly on top of the pad (see FIG. 1).



Switch

(See FIG. 2) To turn the unit on, slide the switch forward (the symbol "I" will be visible.) To turn the unit off, slide the switch back (the symbol "O" will be visible). Before plugging in the unit, make sure the switch is in the off position.

Speed Control Dial (DW443 & DW444 Only)

The speed control dial (5 incremental settings) allows you to increase or decrease speed from 4000 - 6800 Orbits Per Minute. The optimal speed setting for each application is very much dependent on personal preference. You may want to experiment on a piece of scrap to determine what gives you the best combination of finish quality and material removal rate for your application. Generally, you will want to use a higher setting on harder materials and a lower setting on softer materials. Material removal rate increases as speed increases.

Dust Collection

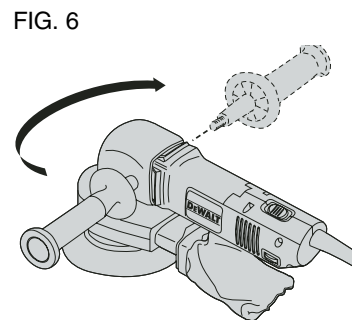
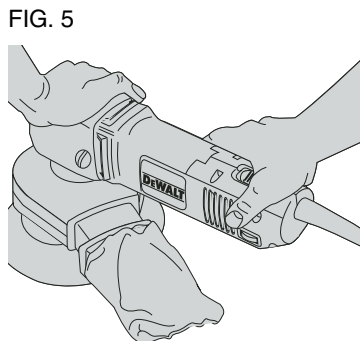
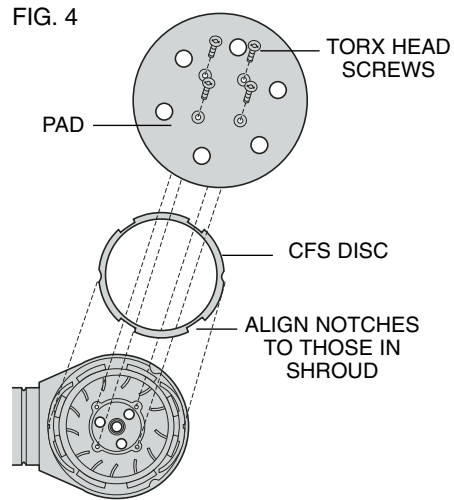
Your sander comes equipped with a cloth filter bag to collect the dust generated during sanding. To empty the dust bag, first turn off and unplug tool. Firmly pull the bag off while holding the rubber boot (FIG. 3). Empty the bag (you may want to turn it inside out.)

NOTE: Never operate this tool unless the dust collection bag is in place.

Replacing Sanding Pad

When the pad becomes worn out, use the following procedure to replace pad. (See FIG. 4)

1. Turn off and unplug tool.
2. Remove 4 torx head screws from the bottom of the tool and remove the pad.
3. Replace the pad and screws, making sure the CFS disc is aligned properly.



Operation

To operate your sander, grasp it as shown in FIG. 5 and turn it on. Move the unit in long, sweeping strokes along the surface being sanded, letting the sander do the work.

NOTE: Excessive downward pressure on the tool while sanding actually slows the removal rate and produces an inferior quality surface.

A side handle has been provided with your unit and can be used if desired. The side handle can be screwed into either side of tool by first removing the plastic screw, as shown in FIG. 6.

NOTE: Be sure to check your work often, this sander is capable of removing material rapidly, especially with coarse paper.

The random orbital action of your sander allows you to sand with the grain or at any angle across it for most sanding jobs. To produce the best finish possible, start with coarse grit sandpaper and change gradually to finer and finer paper. Vacuum and wipe surface with a tack cloth between grit steps.

The rate at which the dust bag fills up will vary with the type of material being sanded and the coarseness of the sandpaper. For best results, empty the bag frequently.

When sanding painted surfaces, (see page 5 for additional precautions when sanding paint) you may find that the sandpaper loads up and clogs with paint. A heat gun will work much better to remove paint before sanding. FOLLOW ALL SAFETY INSTRUCTIONS IN HEAT GUN INSTRUCTION MANUAL.

NOTE: (DW441 and DW444 only): When using PSA sanding discs, it is necessary to remove the disc soon after operation. PSA papers, if left on during tool storage, sometimes become difficult to remove. To aid in the removal of old PSA paper, sand for a few minutes to soften adhesive backing prior to changing disc.

Precautions To Take When Sanding Paint

1. Sanding of lead based paint is NOT RECOMMENDED due to the difficulty of controlling the contaminated dust. The greatest danger of lead poisoning is to children and pregnant women.

2. Since it is difficult to identify whether or not a paint contains lead without a chemical analysis, we recommend the following precautions when sanding any paint:

PERSONAL SAFETY

- a. No children or pregnant women should enter the work area where the paint sanding is being done until all clean up is completed.
- b. A dust mask or respirator should be worn by all persons entering the work area. The filter should be replaced daily or whenever the wearer has difficulty breathing.

NOTE: Only those dust masks suitable for working with lead paint dust and fumes should be used. Ordinary painting masks do not offer this protection. See your local hardware dealer for the proper N.I.O.S.H. approved mask.

- c. NO EATING, DRINKING or SMOKING should be done in the work area to prevent ingesting contaminated paint particles. Workers should wash and clean up BEFORE eating, drinking or smoking. Articles of food, drink, or smoking should not be left in the work area where dust would settle on them.

ENVIRONMENTAL SAFETY

- a. Paint should be removed in such a manner as to minimize the amount of dust generated.
- b. Areas where paint removal is occurring should be sealed with plastic sheeting of 4 mils thickness.
- c. Sanding should be done in a manner to reduce tracking of paint dust outside the work area.

CLEANING AND DISPOSAL

- a. All surfaces in the work area should be vacuumed and thoroughly cleaned daily for the duration of the sanding project. Vacuum filter bags should be changed frequently.
- b. Plastic drop cloths should be gathered up and disposed of along with any dust particles or other removal debris. They should be placed in sealed refuse receptacles and disposed of through regular trash pick-up procedures.

During clean up, children and pregnant women should be kept away from the immediate work area.

- c. All toys, washable furniture and utensils used by children should be washed thoroughly before being used again.

Lubrication

Self lubricating bearings are used in the tool and periodic relubrication is not required. However, it is recommended that, once a year, you take or send the tool to a service center for a thorough cleaning and inspection.

Cleaning

Keep your machine as clean as possible by wiping with a clean cloth and blowing through it with air after every 5 hours of use. Don't use harsh chemicals or solvents to clean the tool. These chemicals could seriously damage the engineering polymers used to construct your sander. If you typically wrap the cord around the tool when you store it, leave a generous loop of cord such that the strain relief does not bend. This helps prevent premature cord failure.

Repairs

To assure product SAFETY and RELIABILITY, repairs, maintenance and adjustment (including brush inspection and replacement) should be performed by a DeWALT factory service center, a DeWALT authorized service center or other qualified service personnel. Always use identical replacement parts.

Application Notes

SANDPAPER - GRIT TYPES

Natural Abrasives

Flint is the softest (Mohs' Scale 7)* of the common natural abrasives. It has a tan color and is very inexpensive.

Garnet paper is harder than flint (Mohs' Scale 7.5) and is easily identified by its bright orange color. Even though it is not the hardest, the way the abrasive fractures gives you a good cutting edge for wood-

working.

Emery, even though harder than garnet (Mohs' Scale 9), has blunt edges making it a poor sanding abrasive. Its primary use is for polishing metal.

* Mohs' Scale is the mineral hardness scale. It rates diamond at 15, the hardest, and talc at 1.

Manufactured Abrasives

White Aluminum Oxide (AlO) is extremely hard (Mohs' Scale 12) and durable which makes it a great abrasive for use with the Random Orbit Sander. "White" describes the particular way the abrasive is manufactured, not its color. This abrasive is widely available and comes in a variety of colors due to the increasing use of dyes. Stearate lubricants on the paper also enhance performance by reducing heat and the rate at which the paper clogs.

Silicon Carbide (SiC) is the hardest abrasive (Mohs' Scale 13) commonly available next to industrial diamond but is not as tough as Aluminum Oxide abrasives. This abrasive easily fractures and provides sharp faces to the work throughout the life of the sanding paper. This "self-sharpening" feature makes SiC an outstanding abrasive for material removal but limits its life.

OPEN COAT VERSUS CLOSED COAT

Abrasives are applied to the paper with glue. When the grit is large (say 60 or 80 grit) the percent of coverage is usually reduced to 60% to 70% of the backing paper surface. This increases the life of the paper by reducing the rate at which the paper clogs. This is called an open coat and almost the only way you can buy sandpaper in heavier grits. With finer grits the grit is applied at rates of 90% or more and are labeled closed coat. Since the dust particle is much smaller the tendency of the paper to load up and clog is greatly reduced.

GRIT SIZES

There are several grading systems used. The system most popular today is sieve size. The number on the back of your sandpaper disc

refers to the screen size the particle can pass through. 120 grit paper for example will sift through a screen with 120 holes per linear inch. Every square inch of screen has 14,400 holes (120 x 120). The higher the number the finer the particle size. Common sizes are from 36 to 600 with the recent introduction of grit sizes up to 1200.

PAPER AND FILM: THE BACKING

Paper: The material most commonly used to carry the abrasive is paper. Paper is graded by weight. "A" weight paper which is the most prevalent is the lightest paper used and gives good durability and flexibility in most sanding applications. Other paper weights that are available are C, D, E, and F weight. The disadvantage of paper is its low mechanical stiffness. Since the paper fiber gives during sanding, the abrasive doesn't stand up and some of the cutting edges do not engage the work. The advantage is cost.

Film: Film backed sanding discs address the disadvantage of paper. The film is mechanically stiffer than paper. Film is also more expensive but when all other things are held constant improves the cutting performance of the abrasive.

Cloth and Vulcanized Fiber: These backings are typically hard to find and are used in specialty applications. Most sandpaper you will use will have the paper or film backing.

HOOK AND LOOP AND PSA: WHAT HOLDS THE SANDING DISK TO THE PAD.

Hook & Loop: The sanding disk as backed with a fabric nap (loops) that interlocks with a grid of posts (hooks) on the sander's pad. The advantages are paper reusability and cooler interface between paper and work.

PSA: Pressure Sensitive Adhesive is applied to the back of the sanding disc and adheres to the sanding pad (Not the same pad that carries Hook & Loop paper). The advantage is cost. The major disadvantage is the tendency of PSA backed papers to adhere permanently to the pad if left on after sanding. Why does this happen? The main culprit is heat. During sanding the pad and paper heat up. This caus-

es the adhesive to flow into all the ridges on the vinyl pad and form a tight bond. If you remove the paper soon after you are finished sanding you don't allow the adhesive to set. If you leave it on for a couple of days the adhesive sets and has more strength than the paper carrier, causing the paper to tear and leaving you with a difficult clean up job. One more disadvantage: If you do small sanding jobs and don't wear out the paper you cannot reuse it and tend to waste more paper.

SANDING

THE BASIC RULES: Which ones to break and which ones not to.

Always start with the coarsest grit first. Don't break this rule. The scratches get smaller as the grit number gets larger and the quality of the finish generally improves. When you change grits be particular about cleaning the surface that you are finishing. An 80 grit particle floating on your work under your 220 grit paper will leave 80 grit scratches. The best way to avoid this is to vacuum the work and then carefully wipe down the work with a tack rag.

The random orbit sander action is equally applied across the grain and with the grain. Since the scratch mark is small and random in all directions, the ability of the eye to see a scratch is greatly reduced.

Always wear a mask to avoid breathing the dust. **NEVER BREAK THIS RULE.** We have engineered the tool to collect a majority of the dust created in the sanding process but the tool does not capture it all. To improve the capture rate use a vacuum but **ALWAYS** wear a dust mask.

SOME OTHER HINTS FOR A BETTER FINISH

A random orbit sander is much more aggressive than other similarly sized orbital tools so you may want to consider the next finer grit when you start to sand your project.

Since the random orbit action makes a short scratch, you may find that a project doesn't require as many grit steps. A lot of professional cabinet makers only use 80, 120, and 150 grit on their work with satisfactory results. If in doubt about how the finish will take to your sanded surface, wipe the surface with some paint thinner. Defects will show

up darker than the surrounding wood.

Careful inspection of the work prior to the finishing operation may reveal dents. Try to correct these problems by raising the dent (a hot iron and wet rag will do this) or carefully sand a large area around the dent. If you vigorously sand the dent, you may create a cupped surface.

When you are satisfied with the sanding job and you have finished sanding with your finest grit, raise the grain by dampening the wood with a wet rag. When the wood has dried and you are ready to apply the finish, resand lightly to take off the wood fibers raised by the water. Vac and tack the surfaces and immediately apply the first coat of finish before the wood gets dirty.

WOOD: Some important characteristics of wood

Hard grain and soft grain

Wood has hard grain and soft grain. Hard grain is typically the product of summer growth and soft grain the product of spring. All sanders will remove more soft grain than hard grain and since the random orbit sander is more aggressive, it will remove it that much more quickly. Extended sanding on a piece of fir for example, will produce a noticeably uneven finish. This is a good reason to correct flaws before sanding.

Accessories

Recommended accessories for use with your tool are available at extra cost from your local dealer or authorized service center. If you need assistance in locating any accessory for your tool, please contact DeWALT Industrial Tool Co., 701 East Joppa Road, Baltimore, MD 21286, call 1-800-4-DeWALT (1-800-433-9258) or visit our website www.dewalt.com.

⚠ CAUTION: *The use of any other accessory not recommended for use with this tool could be hazardous.*

Three Year Limited Warranty

DeWALT will repair, without charge, any defects due to faulty materials or workmanship for three years from the date of purchase. This

warranty does not cover part failure due to normal wear or tool abuse. For further detail of warranty coverage and warranty repair information, visit www.dewalt.com or call 1-800-4-DEWALT (1-800-433-9258). This warranty does not apply to accessories or damage caused where repairs have been made or attempted by others. This warranty gives you specific legal rights and you may have other rights which vary in certain states or provinces.

In addition to the warranty, DEWALT tools are covered by our:

1 YEAR FREE SERVICE

DEWALT will maintain the tool and replace worn parts caused by normal use, for free, any time during the first year after purchase.

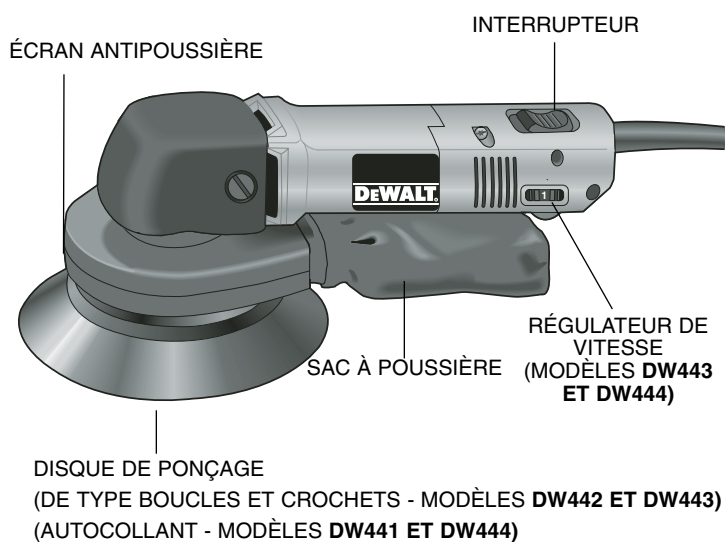
90 DAY MONEY BACK GUARANTEE

If you are not completely satisfied with the performance of your DEWALT Power Tool, Laser, or Nailer for any reason, you can return it within 90 days from the date of purchase with a receipt for a full refund – no questions asked.

LATIN AMERICA: This warranty does not apply to products sold in Latin America. For products sold in Latin America, see country specific warranty information contained either in the packaging, call the local company or see website for warranty information.

FREE WARNING LABEL REPLACEMENT: If your warning labels become illegible or are missing, call 1-800-4-DEWALT for a free replacement.

POUR TOUT RENSEIGNEMENT SUPPLÉMENTAIRE SUR CET OUTIL OU TOUT AUTRE OUTIL DEWALT, COMPOSER SANS FRAIS LE NUMÉRO : 1 800 4-DEWALT (1 800 433-9258)



Importantes mesures de sécurité (pour tous les outils)

AVERTISSEMENT : Afin de réduire les risques d'incendie, de secousses électriques ou de blessures lorsqu'on utilise des outils électriques, il faut toujours respecter les mesures de sécurité suivantes.

LIRE TOUTES LES DIRECTIVES

- **BIEN DÉGAGER LA SURFACE DE TRAVAIL.** Des surfaces et des établis encombrés peuvent être la cause de blessures.
- **TENIR COMPTE DU MILIEU DE TRAVAIL.** Protéger les outils électriques de la pluie. Ne pas s'en servir dans des endroits humides ou mouillés. Bien éclairer la surface de travail.
- **SE PROTÉGER CONTRE LES SECOURS ÉLECTRIQUES.** Éviter tout contact avec des objets mis à la terre, comme des tuyaux, radiateurs, cuisinières, réfrigérateurs et autres objets du genre.
- **ÉLOIGNER LES ENFANTS.** Tous les visiteurs doivent être tenus à l'écart de l'aire de travail et il faut les empêcher de toucher à l'outil ou au cordon de rallonge.
- **RANGER LES OUTILS INUTILISÉS.** Il faut ranger les outils dans un endroit sec, situé en hauteur ou fermé à clé, hors de la portée des enfants.
- **NE JAMAIS FORCER L'OUTIL.** Afin d'obtenir un rendement sûr et efficace, utiliser l'outil à son rendement nominal.
- **UTILISER L'OUTIL APPROPRIÉ.** Ne jamais exiger d'un petit outil ou d'un accessoire le rendement d'un outil de fabrication plus robuste. Se servir de l'outil selon l'usage prévu (par exemple, ne pas se servir d'une scie circulaire pour couper des branches d'arbres ou des bûches).
- **PORTER DES VÊTEMENTS APPROPRIÉS.** Éviter de porter des vêtements amples et des bijoux qui peuvent être happés par les pièces en mouvement. Porter des gants de caoutchouc et des chaussures à semelle antidérapante pour travailler à l'extérieur. Protéger la chevelure si elle est longue. Se tenir éloigné des événements puisque ces derniers pourraient camoufler des pièces mobiles.

- **PORTER DES LUNETTES DE SÉCURITÉ.** Porter également un masque respiratoire si le travail de coupe produit de la poussière.
- **NE PAS MANIPULER LE CORDON DE FAÇON ABUSIVE.** Ne pas transporter l'outil par le cordon ni tirer sur ce dernier pour le débrancher de la prise. Éloigner le cordon des sources de chaleur, des flaques d'huile et des arêtes tranchantes.
- **ASSUJETTIR LA PIÈCE.** Immobiliser la pièce à l'aide de brides ou d'un étau. On peut alors se servir des deux mains pour faire fonctionner l'outil, ce qui est plus sûr.
- **NE PAS DÉPASSER SA PORTÉE.** Toujours demeurer dans une position stable et garder son équilibre.
- **PRENDRE SOIN DES OUTILS.** Conserver les outils propres pour qu'ils donnent un rendement supérieur et sûr. Suivre les directives concernant la lubrification et le remplacement des accessoires. Inspecter régulièrement le cordon de l'outil et le faire réparer au besoin à un atelier d'entretien autorisé. Inspecter régulièrement les cordons de rallonge et les remplacer lorsqu'ils sont endommagés. S'assurer que les poignées sont toujours propres, sèches et libres de toute tache d'huile ou de graisse.
- **DÉBRANCHER LES OUTILS NON UTILISÉS.** Respecter cette mesure lorsqu'on ne se sert pas de l'outil, ou qu'on doit le réparer ou en changer un accessoire (comme une lame, un foret ou un couteau).
- **ENLEVER LES CLÉS DE RÉGLAGE.** Prendre l'habitude de vérifier si les clés de réglage ont été retirées avant de faire démarrer l'outil.
- **ÉVITER LES DÉMARRAGES ACCIDENTELS.** Ne pas laisser le doigt sur l'interrupteur lorsqu'on transporte l'outil. S'assurer que l'interrupteur est à la position hors circuit lorsqu'on branche l'outil.
- **CORDONS DE RALLONGE PRÉVUS POUR L'EXTÉRIEUR.** Lorsque l'outil est utilisé à l'extérieur, ne se servir que d'un cordon de rallonge conçu pour l'extérieur et portant la mention appropriée.
- **DEMEURER VIGILANT.** Travailler avec vigilance et faire preuve de bon sens. Ne pas se servir de l'outil lorsqu'on est fatigué.

- **VÉRIFIER LES PIÈCES ENDOMMAGÉES.** Vérifier l'alignement et les attaches des pièces mobiles, le degré d'usure des pièces et leur montage, ainsi que tout autre facteur susceptible de nuire au bon fonctionnement de l'outil. Faire réparer ou remplacer tout protecteur ou toute autre pièce endommagée dans un centre de service autorisé, sauf si le présent guide fait mention d'un avis contraire. Confier le remplacement de tout interrupteur défectueux à un centre de service autorisé. Ne jamais se servir d'un outil dont l'interrupteur est défectueux.
- **NE PAS UTILISER** les outils portatifs électriques dans des endroits où l'atmosphère contient des vapeurs combustibles ou explosives. Les étincelles que produit le moteur en marche pourraient enflammer ces produits.

Mesures de sécurité propres aux ponceuses

- Toujours porter des lunettes de sécurité ainsi qu'un respirateur lorsqu'on effectue des travaux de ponçage.
- Il n'est pas conseillé de poncer des surfaces recouvertes de peinture à base de plomb. Consulter la page 15 pour connaître les directives particulières portant sur le ponçage des surfaces recouvertes de peinture.
- Ne pas utiliser l'outil sans l'écran antipoussière.
- **Ne pas utiliser cet outil pendant des périodes prolongées.** Les vibrations causées par l'action de fonctionnement de l'outil peuvent blesser en permanence les doigts, les mains et les bras. Porter des gants pour amortir les vibrations, faire des pauses fréquentes et limiter le temps d'utilisation quotidien de l'outil.

▲ **AVERTISSEMENT :** Certains outils, tels que les sableuses électriques, les scies, les meules, les perceuses ou certains autres outils de construction, peuvent soulever de la poussière contenant des produits chimiques susceptibles d'entraîner le cancer, des malformations congénitales ou pouvant être nocifs pour le système reproductif. Parmi ces produits chimiques, on retrouve :

- le plomb dans les peintures à base de plomb;

- la silice cristalline dans les briques et le ciment et autres produits de maçonnerie;
- l'arsenic et le chrome dans le bois de sciage ayant subi un traitement chimique (CCA).

Le risque associé à de telles expositions peut varier selon la fréquence avec laquelle on effectue ces travaux. Pour réduire l'exposition à de tels produits, il faut travailler dans un endroit bien ventilé et utiliser l'équipement de sécurité approprié tel un masque anti-poussières spécialement conçu pour filtrer les particules microscopiques.

- **Éviter tout contact prolongé avec la poussière soulevée par cet outil ou autres outils électriques. Porter des vêtements de protection et nettoyer les parties exposées du corps avec de l'eau savonneuse. S'assurer de bien se protéger afin d'éviter d'absorber par la bouche, les yeux ou la peau des produits chimiques nocifs.**

▲ AVERTISSEMENT : Cet outil peut produire et répandre de la poussière susceptible de causer des dommages sérieux et permanents au système respiratoire. Toujours utiliser un appareil respiratoire anti-poussières approuvé par le NIOSH ou l'OSHA. Diriger les particules dans le sens opposé du visage et du corps.

▲ MISE EN GARDE : Porter un dispositif de protection personnel anti-bruit approprié durant l'utilisation. Sous certaines conditions et pendant toute la durée de l'utilisation, le bruit émanant de ce produit pourrait contribuer à la perte d'audition.

Double isolation

Les outils à double isolation comportent deux couches distinctes d'isolant électrique ou une double épaisseur d'isolant qui protègent l'utilisateur contre les risques de blessures provenant du système électrique de l'outil. Ce système de double isolation élimine le besoin de mettre les outils à la terre. En effet, l'outil est muni d'une fiche à deux broches, ce qui permet d'utiliser une rallonge ordinaire sans avoir à se soucier d'assurer la mise à la terre.

NOTE : La double isolation ne dispense pas des mesures de sécurité normales lors de l'utilisation de l'outil. Elle vise à procurer une pro-

tection supplémentaire contre les blessures que peut entraîner une défectuosité de l'isolant électrique à l'intérieur de l'outil.

▲ MISE EN GARDE : Pour réparer tout outil, N'UTILISER QUE DES PIÈCES DE RECHANGE IDENTIQUES. Réparer ou remplacer les cordons endommagés.

Fiche polarisée

Le produit est muni d'une fiche polarisée (une lame plus large que l'autre) afin de minimiser les risques de secousses électriques. Ce genre de fiche n'entre que d'une façon dans une prise polarisée. Lorsqu'on ne peut insérer la fiche à fond dans la prise, il faut tenter de le faire après avoir inversé les lames. Si la fiche n'entre toujours pas dans la prise, il faut communiquer avec un électricien certifié qui installera une prise polarisée appropriée. Il ne faut pas modifier ni remplacer cette fiche.

Cordons de rallonge

S'assurer que le cordon de rallonge est en bon état. Lorsqu'on se sert d'un cordon de rallonge, s'assurer qu'il est de calibre approprié pour la tension nécessaire au fonctionnement de l'outil. L'utilisation d'un cordon de calibre inférieur occasionne une baisse de tension entraînant une perte de puissance et la surchauffe. Le tableau indique le calibre approprié selon la longueur du cordon et les mentions de la plaque signalétique de l'outil. En cas de doute, utiliser un cordon de calibre supérieur. Le chiffre indiquant le calibre est inversement proportionnel au calibre du cordon.

Calibre minimal des cordons de rallonge					
Tension	Longueur totale du cordon en pieds				
120 V	De 0 à 25	De 26 à 50	De 51 à 100	De 101 à 150	
240 V	De 0 à 50	De 51 à 100	De 101 à 200	De 201 à 300	
Intensité		Calibre de fil (AWG)			
Au moins	Au plus				
0	- 6	18	16	16	14
6	- 10	18	16	14	12

CONSERVER CES MESURES À TITRE DE RÉFÉRENCE

Moteur

Veiller à ce que la tension d'alimentation soit conforme aux exigences de la plaque signalétique de l'outil. La mention 120 volts c.a. signifie que l'outil fonctionne seulement sur une alimentation en courant alternatif, jamais en courant continu.

Une baisse de tension de plus de 10 p. 100 entraîne une perte de puissance et la surchauffe. Tous les outils sont essayés avant de quitter l'usine. Lorsque celui-ci refuse de fonctionner, vérifier la source de courant électrique.

Installation des disques de ponçage

La ponceuse est conçue pour utiliser des disques de ponçage de 6 po percés de 6 trous pour le dépoussiérage.

Type boucles et crochets (Modèles DW442 et DW443)

Autocollants (Modèles DW441 et DW444)

Faire ce qui suit pour installer le papier sur le tampon de ponçage:

1. Mettre la ponceuse hors tension et la débrancher.
2. Retourner la ponceuse de sorte que le tampon de ponçage se trouve sur le dessus.
3. (Modèles DW441 et DW444 seulement) Enlever la poussière des surfaces en vinyle du tampon.
4. Retenir le tampon d'une main pour l'empêcher de tourner.
5. De l'autre main, aligner le disque sur le tampon et le placer directement sur ce dernier (fig. 1).

Interrupteur

(Voir la fig. 2.) Pour mettre l'outil en marche, il suffit de faire glisser l'interrupteur vers l'avant (pour découvrir le symbole «I»). Pour mettre l'outil hors tension, il suffit de faire glisser l'interrupteur vers l'arrière (pour découvrir le symbole «O»). Avant de brancher l'outil, s'assurer que l'interrupteur est en position d'arrêt.

FIG. 1

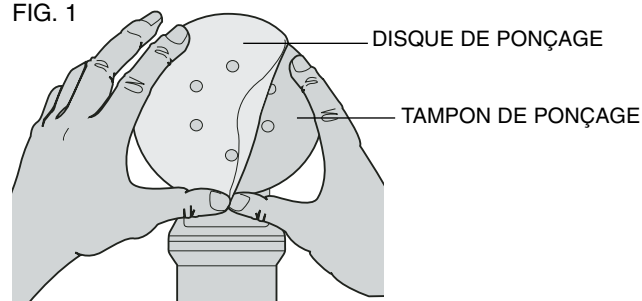


FIG. 2

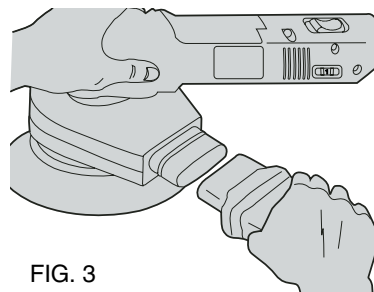
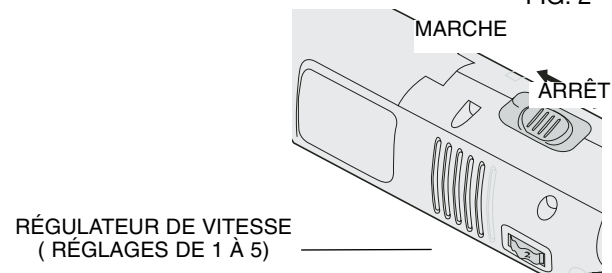
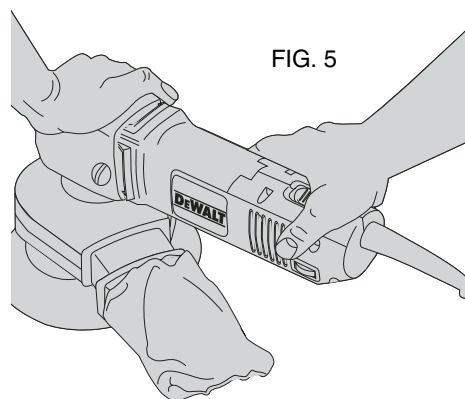
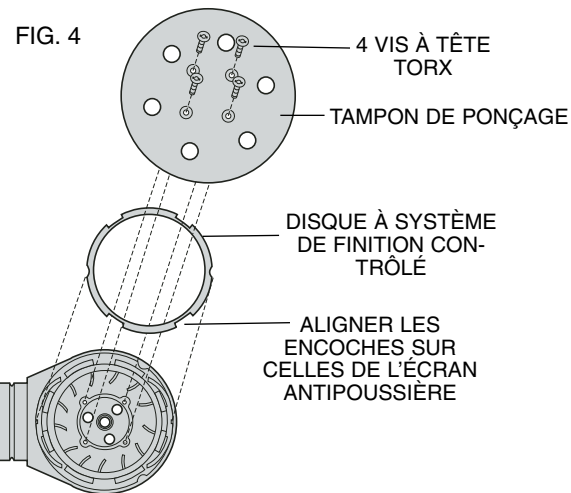


FIG. 3



Régulateur de vitesse (Modèles DW443 et DW444 seulement)

Le régulateur de vitesse (constitué de cinq réglages consécutifs) permet à l'utilisateur d'augmenter ou de diminuer la vitesse de l'outil sur une gamme de 4 000 à 6 800 orbites à la minute. La vitesse optimale à utiliser pour chaque application dépend des goûts personnels de l'utilisateur. Il est conseillé d'essayer cette fonction sur des échantillons afin de déterminer la meilleure combinaison en vue de l'obtention du fini et du taux de ponçage voulus. Habituellement, on utilise un régime élevé pour poncer des matériaux durs et un faible régime, pour les matériaux mous. Le taux de ponçage augmente avec le régime.

Système de dé poussière

La ponceuse est munie d'un sac à poussière qui ramasse la poussière générée par les travaux de ponçage. Pour vider le sac, il faut d'abord mettre l'outil hors tension et le débrancher. Tirer fermement sur le sac tout en retenant la gaine en caoutchouc (fig. 3). Vider le sac (il peut être nécessaire de le retourner à l'envers).

NOTE: Ne jamais utiliser l'outil si le sac à poussière n'est pas en place.

Remplacement du tampon de ponçage

Lorsque le tampon est usé, le remplacer comme suit (fig. 4).

1. Mettre l'outil hors tension et le débrancher.
2. Enlever les 4 vis à tête Torx qui se trouvent sous l'outil (utiliser un tournevis Torx T20 ou un tournevis à lame plate).
3. Retirer le tampon.
4. Remettre en place le tampon et les vis en s'assurant que le disque à système de finition contrôlé est bien aligné.

Fonctionnement

Pour utiliser la ponceuse, la saisir de la façon illustrée à la figure 5, puis la mettre en marche. Déplacer l'outil en lui imprimant de longs mouvements de va-et-vient le long de la surface à poncer et sans le forcer.

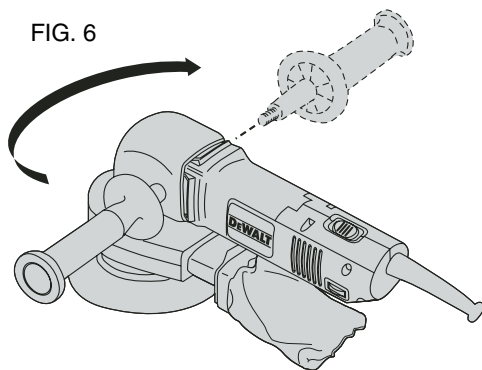
NOTE : Lorsqu'on appuie sur la ponceuse pendant la tâche, on minimise le taux de ponçage et on obtient une surface de qualité moindre. L'emballage comprend une poignée latérale qui peut être utilisée avec la ponceuse. Il suffit de la visser d'un côté ou de l'autre de l'outil en enlevant au préalable la vis de plastique (fig. 6).

NOTE : Vérifier souvent la surface de travail, car la ponceuse enlève rapidement les matériaux (surtout avec du papier abrasif à gros grains).

Le mouvement orbital excentrique de la ponceuse permet de poncer dans le sens du grain ou dans tout autre angle dans la plupart des cas. Pour optimiser le rendement, commencer à poncer avec du papier abrasif à gros grains et le remplacer graduellement par du papier de plus en plus fin. Passer l'aspirateur et essuyer la surface avec un chiffon entre chaque remplacement de papier.

Le taux de remplissage de la sac à poussière varie selon le type de matériau poncé et la rugosité du papier abrasif. Pour optimiser les résultats, vider souvent la sac.

Lorsqu'on ponce une surface peinte (voir les mesures supplémentaires à prendre lors du ponçage de peinture à la page 15), il se peut que le papier abrasif se charge de peinture et bloque. Il est préférable



d'utiliser un pistolet chauffant pour enlever la peinture avant de sabler. **SE CONFORMER AUX MESURES DE SÉCURITÉ DU GUIDE D'UTILISATION DU PISTOLET CHAUFFANT.**

NOTE : (Modèles DW441 et DW444 seulement): Lorsqu'on utilise des disques de ponçage autocollants, il faut enlever le disque peu après les travaux. En effet, le disque autocollant est difficile à enlever si on le laisse sur l'outil lorsqu'on range ce dernier. Le cas échéant, poncer pendant quelques minutes afin de ramollir l'adhésif avant de remplacer le disque.

Mesures à prendre lors du ponçage de peinture

1. IL N'EST PAS RECOMMANDÉ de poncer de la peinture à base de plomb puisqu'il est difficile d'en maîtriser la poussière contaminée. Ce genre de ponçage présente de sérieux risques d'empoisonnement au plomb pour les femmes enceintes et les enfants.
2. Puisqu'il est difficile de déterminer si la peinture renferme du plomb sans en faire une analyse chimique, il est conseillé de se conformer aux mesures suivantes lors du ponçage de tout type de peinture.

SÉCURITÉ PERSONNELLE

- a. Ne laisser aucun enfant ni aucune femme enceinte entrer dans la pièce où il y a ponçage de peinture jusqu'à ce que la pièce soit nettoyée.
- b. Toute personne entrant dans la pièce de travail devrait porter un masque ou un respirateur. L'utilisateur devrait en remplacer le filtre chaque jour ou dès qu'il éprouve de la difficulté à respirer.

NOTE : Il faut seulement utiliser des masques conçus pour le travail en présence de poussières ou de vapeurs de plomb. Les masques ordinaires ne sont pas conçus à cet effet. Consulter le quincaillier pour choisir le masque approprié.
- c. IL EST DÉCONSEILLÉ DE MANGER, DE BOIRE ET DE FUMER dans la pièce de travail afin de ne pas ingérer de particules contaminées. L'utilisateur doit se laver et se nettoyer AVANT de manger, de boire ou de fumer. Il ne faut pas laisser dans la pièce de travail de la

nourriture, des boissons ou des cigarettes car de la poussière pourrait se déposer sur ces articles.

PROTECTION DE L'ENVIRONNEMENT

- a. Il faut enlever la peinture de manière à produire un minimum de poussière.
- b. Il faut sceller la zone de travail à l'aide de feuilles de plastique d'une épaisseur minimale de 4 mils.
- c. Il faut poncer de façon à réduire la propagation de la poussière hors de la pièce de travail.

NETTOYAGE ET DÉCHETS

- a. Il faut bien aspirer toutes les surfaces de la pièce de travail et les nettoyer à fond chaque jour pendant la durée des travaux. Il faut remplacer fréquemment le filtre de l'aspirateur.
- b. Ramasser les feuilles de plastique et les jeter avec la poussière et les autres débris dans des contenants étanches à placer avec les ordures ménagères pour l'enlèvement. Tenir les enfants et les femmes enceintes à l'écart de la zone de travail pendant les travaux de nettoyage.
- c. Il faut nettoyer à fond les jouets, les meubles et les ustensiles des enfants avant de les utiliser de nouveau.

Lubrification

L'outil comporte des roulements autolubrifiants qui ne nécessitent aucune lubrification périodique. Il est toutefois conseillé de porter l'outil, une fois l'an, à un centre de service pour une inspection et un nettoyage complets.

Nettoyage

S'assurer que l'outil est toujours propre en l'essuyant avec un chiffon propre et en y soufflant de l'air après chaque 5 heures d'utilisation. Ne pas utiliser de produits chimiques puissants ni de solvants pour nettoyer l'outil. Ce genre de produits peut grandement endommager les polymères utilisés dans la fabrication de l'outil. Lorsqu'on enroule sys-

tématiquement le cordon autour de l'outil au moment du rangement, faire des boucles lâches de façon à ne pas faire plier la bague anti-traction. On prévient de la sorte la défaillance prématurée du cordon.

Réparations

Pour assurer la SÉCURITÉ et la FIABILITÉ du produit, les réparations, l'entretien et les réglages (y compris l'inspection et le remplacement de la brosse) doivent être réalisés par un centre de réparation en usine DEWALT, un centre de réparation autorisé DEWALT ou par un personnel de réparation professionnel. Toujours utiliser des pièces de rechange identiques.

Utilisation

PAPIER ABRASIF - TYPES DE GRAINS

Abrasifs naturels

Le silex est le plus malléable (7 à l'échelle de Mohs*) des abrasifs naturels communs. Il est de teinte ocre et très bon marché.

Le grenat est plus dur que le silex (7,5 à l'échelle de Mohs) et on le reconnaît facilement à sa couleur orangée claire. Même s'il ne s'agit pas de l'abrasif le plus dur, son type de fracture procure un très bon tranchant pour le travail du bois.

L'émeri, même s'il est plus dur que le grenat (9 à l'échelle de Mohs), a des rebords émoussés qui en font un abrasif de moindre qualité pour le ponçage. On s'en sert essentiellement pour le polissage des métaux.

Abrasifs fabriqués

L'oxyde d'aluminium blanc est extrêmement dur (12 à l'échelle de Mohs) et durable ce qui en fait un bon abrasif à utiliser avec la ponceuse orbitale excentrique. Le terme «blanc» ne décrit pas la couleur de l'abrasif mais la façon dont il est fabriqué. On en retrouve partout et il est offert dans une vaste gamme de couleurs en raison de l'utilisation répandue des teintures. Les lubrifiants au stéarate du papier améliorent également le rendement en minimisant le dégagement de chaleur et le taux de blocage du papier. Le carbure de silicium con-

stitue l'abrasif le plus dur (13 à l'échelle de Mohs) qu'on retrouve sur le marché, après le diamant industriel, mais il n'est pas aussi résistant que l'oxyde d'aluminium. Il casse facilement et offre des arêtes tranchantes pour toute la durée du papier abrasif. Cette caractéristique d'«autoaffûtage» fait du carbure de silicium un abrasif remarquable pour le ponçage mais en limite la durée.

* L'échelle de Mohs sert à mesurer la dureté des minéraux. On y classe le diamant à 15 (le plus dur) et le talc à 1.

COUCHE OUVERTE OU FERMÉE

Les abrasifs sont fixés au papier à l'aide de colle. Lorsque les grains sont gros (60 ou 80), le pourcentage de l'enduit est habituellement réduit entre 60 et 70 p. 100 de la surface du papier. On augmente ainsi la durée du papier en en réduisant le blocage. Il s'agit alors d'une couche ouverte; forme sous laquelle on retrouve la plupart des papiers abrasifs à gros grains sur le marché. Dans le cas des grains fins, on fixe au moins 90 p. 100 d'abrasifs sur le papier. C'est ce qu'on appelle une couche fermée. Puisque les particules sont plus fines, le papier a moins tendance à se charger et à bloquer.

GROSSEUR DES GRAINS

Il existe plusieurs systèmes de classement. Le système le plus utilisé consiste en celui qui mesure la dimension des éléments (déterminée par tamisage). Le nombre qui apparaît à l'arrière du disque de ponçage correspond à la dimension du tamis. Par exemple, un papier à grain 120 est constitué des grains qui passent dans un tamis ayant 120 trous par pouce linéaire. Il y a 14 400 trous (120 sur 120) par pouce carré. Plus le nombre accompagnant le terme «grain» est élevé, plus la particule est fine. On trouve des papiers de grain 35 à 600, et depuis peu, il s'en fait jusqu'à 1 200.

PAPIER ET PELLICULE

Papier - Le matériau le plus élevé pour soutenir les abrasifs est le papier. Celui-ci est classé en fonction de son poids. Du papier de classe A, le plus commun, est le plus léger utilisé et il offre une bonne durabilité et une bonne souplesse dans la plupart des utilisations. Il y

a également du papier de classes C, D, E et F. Le désavantage du papier consiste en sa faible rigidité mécanique. Puisque les fibres du papier cèdent au cours du ponçage, l'abrasif ne tient pas en place et certains tranchants ne s'engagent pas dans la pièce à ouvrir. L'avantage tient dans le prix.

Pellicule - Les disques de ponçage sur pellicule parent aux désavantages du papier. La pellicule est plus rigide que le papier. Mais elle est également plus chère, tout en offrant un rendement supérieur des abrasifs.

Tissu et fibre vulcanisée - Ces matériaux sont assez difficiles à trouver et servent dans des applications particulières. On trouve surtout des abrasifs sur papier ou sur pellicule.

Disques à boucles et crochets et disques autocollants - Systèmes de fixation du disque

Boucles et crochets - L'arrière du disque consiste en un tissu à boucles qui se fixe sur le tissu à crochets du tampon. Ce système est avantageux puisqu'on peut réutiliser le papier. De plus, l'interface entre le papier et la pièce à poncer est plus fraîche.

Disque autocollant - L'arrière du disque de ponçage est enduit d'un adhésif sensible à la pression pour adhérer à la surface du tampon (pas celui qui accepte un disque à boucles). L'avantage réside dans le coût. Le principal désavantage est la tendance des disques autocollants à adhérer en permanence au tampon si on oublie de les enlever après le ponçage. Quelle en est la raison? Il s'agit de la chaleur. Pendant le ponçage, le tampon et le papier se réchauffent. L'adhésif du disque coule alors dans les fissures du tampon en vinyle et forme un lien solide. Si on enlève le papier peu après les travaux, l'adhésif n'a pas le temps de prendre. Par contre, si on oublie d'enlever le papier, l'adhésif a le temps de prendre. Le papier risque alors de déchirer et le nettoyage de la ponceuse sera difficile. Un autre désavantage : lorsqu'on effectue de petits travaux de ponçage et qu'on n'utilise pas tout le papier, on ne peut pas le réutiliser. On gaspille alors plus de papier.

PONÇAGE

MESURES FONDAMENTALES

Toujours commencer avec l'abrasif à gros grains. Ne pas déroger à cette règle. Plus le numéro de grain est élevé, plus les égratignures sont fines; ce qui améliore généralement la qualité du fini. Lorsqu'on change de grosseur de grains, il ne faut pas oublier de nettoyer la surface de travail. En effet, s'il reste de l'abrasif à grain 80 sur la surface lorsqu'on ponce cette dernière avec du papier 220, on risque d'égratigner la surface avec les grains 80.

C'est pourquoi il est conseillé de passer l'aspirateur sur la surface puis de bien l'essuyer avec un chiffon.

La ponceuse à mouvement orbital excentrique agit uniformément sur le grain. Puisque les égratignures sont tellement fines et excentriques, il est difficile de les voir à l'œil nu.

Toujours porter un masque afin de ne pas respirer la poussière. **NE JAMAIS DÉROGER À CETTE RÈGLE.** La ponceuse est conçue pour ramasser la plupart de la poussière générée par les travaux mais elle ne capture pas toute la poussière. Pour améliorer le dépoussiérage, utiliser un aspirateur. Il faut également TOUJOURS porter un masque.

AUTRES CONSEILS PRATIQUES POUR OPTIMISER LES RÉSULTATS

La ponceuse orbitale excentrique agit plus rapidement qu'une ponceuse orbitale ordinaire, il vaut mieux choisir un abrasif plus fin qu'à l'habitude pour commencer les travaux.

Puisque le mouvement orbital excentrique fait de courtes égratignures, il se peut que la tâche nécessite moins de changement de grosseur de grain. Un bon nombre d'ébénistes professionnels n'utilise que du papier 80, 120 et 150 pour obtenir des résultats satisfaisants. En cas de doute sur la qualité du fini, essuyer la surface avec du solvant. Les défauts apparaissent alors plus foncés que le reste de la surface.

Avant la finition, on peut déceler des entailles grâce à une bonne inspection. Essayer de corriger les défauts (à l'aide d'un fer chaud et d'un chiffon humide) ou poncer avec soin une grande surface autour de l'entaille. Si on ponce l'entaille avec vigueur, la surface risque de se creuser.

À la fin des travaux de ponçage, soulever le grain en humectant le bois avec un chiffon humide. Lorsque le bois est sec et qu'on est prêt à l'enduire de fini, poncer légèrement pour enlever les fibres soulevées par l'eau. Passer l'aspirateur, essuyer les surfaces et enduire sans tarder la première couche de fini avant que le bois se salisse.

BOIS : Caractéristiques importantes

Grain dur et tendre

Le bois comporte des grains durs et tendres. Le grain dur résulte de la croissance estivale et le grain tendre est le produit de la croissance printanière. Toutes les ponceuses retirent plus de grains tendres que de grains durs. Puisque la ponceuse orbitale excentrique agit plus rapidement, elle en enlève beaucoup plus. C'est pourquoi un ponçage prolongé sur une pièce de résineux donne un fini inégal. Il s'agit d'une bonne raison de corriger les défauts avant les travaux de ponçage.

Accessoires

Les accessoires recommandés pour être utilisés avec votre outil sont disponibles chez votre concessionnaire ou le centre de réparation autorisé de votre région. Si vous avez besoin d'assistance pour trouver tout accessoire, veuillez communiquer avec DEWALT Industrial Tool Co., 701 East Joppa Road, Baltimore, MD 21286, États-Unis, composer le 1(800) 4-DEWALT (1-800-433-9258) ou visiter notre site Web à www.dewalt.com.

▲ MISE EN GARDE : L'utilisation de tout autre accessoire non recommandé pour l'outil peut être dangereuse.

▲ MISE EN GARDE : **NE PAS UTILISER DE COIFFE À POLIR À FICELLE AVEC LA PONCEUSE. LA FICELLE EN MOUVEMENT PRÉSENTE DES RISQUES DE BLESSURES GRAVES AUX DOIGTS.**

Garantie limitée de trois ans

DeWALT réparera, sans frais, tout produit défectueux causé par un défaut de matériel ou de fabrication pour une période de trois ans à compter de la date d'achat. La présente garantie ne couvre pas les pièces dont la défectuosité a été causée par une usure normale ou l'usage abusif de l'outil. Pour obtenir de plus amples renseignements sur les pièces ou les réparations couvertes par la présente garantie, visiter le site www.dewalt.com ou composer le 1 800 433-9258 (1 800 4-DeWALT). Cette garantie ne s'applique pas aux accessoires et ne vise pas les dommages causés par des réparations effectuées par un tiers. Cette garantie confère des droits légaux particuliers à l'acheteur, mais celui-ci pourrait aussi bénéficier d'autres droits variant d'un état ou d'une province à l'autre.

En plus de la présente garantie, les outils DeWALT sont couverts par notre :

CONTRAT D'ENTRETIEN GRATUIT D'UN AN

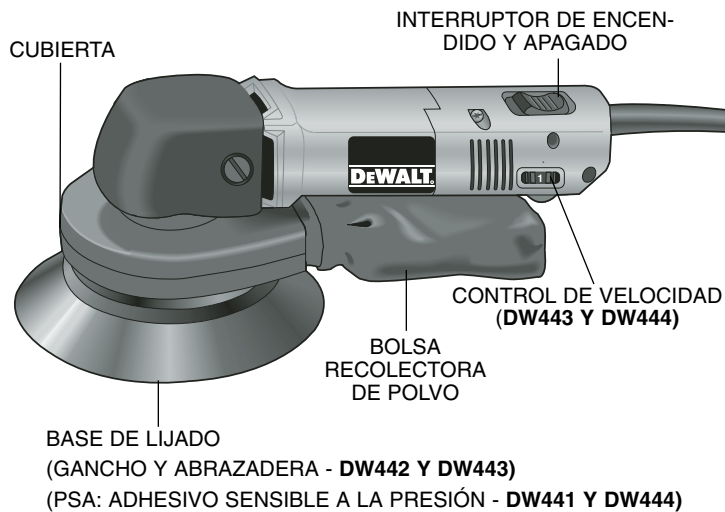
DeWALT entretiendra l'outil et remplacera les pièces usées au cours d'une utilisation normale et ce, gratuitement, pendant une période d'un an à compter de la date d'achat, et la

GARANTIE DE REMBOURSEMENT DE 90 JOURS

Si l'acheteur n'est pas entièrement satisfait, pour quelque raison que ce soit, du rendement de l'outil électrique, du laser ou de la cloueuse DeWALT, celui-ci peut le retourner, accompagné d'un reçu, dans les 90 jours à compter de la date d'achat, pour obtenir un remboursement intégral, sans aucun problème.

AMÉRIQUE LATINE : Cette garantie ne s'applique aux produits vendus en Amérique latine. Pour ceux-ci, veuillez consulter les informations relatives à la garantie spécifique présente dans l'emballage, appeler l'entreprise locale ou consulter le site Web pour les informations relatives à cette garantie.

REMPACEMENT GRATUIT DE L'ÉTIQUETTE : Si vos étiquettes d'avertissement deviennent illisibles ou sont manquantes, composez le 1-800-4-DeWALT pour obtenir une étiquette de remplacement gratuite.



ESPECIFICACIONES

Tension de alimentación:	120 V/CA~
Potencia nominal:	192 W
Frecuencia de operación:	60 Hz
Consumo de corriente:	2,0A

Instrucciones importantes de seguridad (Para todas las herramientas)

⚠️ ADVERTENCIA: Es indispensable sujetarse a las precauciones básicas de seguridad, con la finalidad de reducir el peligro de incendio, choque eléctrico y lesiones personales, en todas las ocasiones en que se utilicen herramientas eléctricas. Entre estas precauciones se incluyen la siguientes:

LEA TODAS LAS INSTRUCCIONES

- **CONSERVE LIMPIA LA ZONA DE TRABAJO.** Las superficies y los bancos con objetos acumulados en desorden propician los accidentes.
- **OTORQUE PRIORIDAD A LA ZONA DE TRABAJO.** No deje las herramientas eléctricas expuestas a la lluvia. No las utilice en lugares inundados o mojados. Conserve bien iluminada la zona de trabajo.
- **PROTÉJASE CONTRA EL CHOQUE ELÉCTRICO.** Evite el contacto corporal con superficies aterrizadas, por ejemplo, tuberías, radiadores, antenas y gabinetes de refrigeración.
- **CONSERVE APARTADOS A LOS NIÑOS.** Los visitantes deben estar alejados de la zona de trabajo. No permita que los visitantes toquen las herramientas o los cables de extensión.
- **GUARDE LAS HERRAMIENTAS QUE NO EMPLEE.** Las herramientas que no se están utilizando deben guardarse en un lugar seco y elevado o bajo llave fuera del alcance de los niños.
- **NO FUERCE LA HERRAMIENTA.** Esta cumplirá su función mejor y con más seguridad a la velocidad y la presión para las que se diseñó.
- **EMPLEE LA HERRAMIENTA ADECUADA.** No fuerce a una herramienta pequeña o a sus dispositivos de montaje en un trabajo de tipo pesado. No emplee la herramienta en una tarea para la que no se diseñó; por ejemplo, no recurra a una sierra circular para cortar ramas o troncos de árbol.
- **VÍSTASE DE LA MANERA ADECUADA.** No use ropas o artícu-

los de joyería flojos, pues podrían quedar atrapados por las partes móviles de las herramientas. Se recomienda el empleo de guantes de caucho y calzado antiderrapante cuando se trabaje al aire libre. Cúbrase bien la cabeza para sujetarse el cabello si lo tiene largo. Las rejillas de ventilación cubren partes móviles y también deben evitarse.

- **COLÓQUESE ANTEOJOS DE SEGURIDAD.** Póngase también una mascarilla contra el polvo si lo produce la operación que va a efectuar.
- **TENGA CUIDADO CON EL CORDÓN ELÉCTRICO.** Nunca levante la herramienta tomándola por el cordón, ni tire de éste para desconectarlo del enchufe. Apártelo del calor y los objetos calientes, las substancias grasosas y los bordes cortantes.
- **SUJETE LOS OBJETOS SOBRE LOS QUE TRABAJE.** Utilice prensas o tornillos de banco para sujetar los objetos sobre los que va a trabajar. Esto ofrece mayor seguridad que sujetar los objetos con la mano, y además deja libres ambas manos para operar la herramienta.
- **MANTENGA EL EQUILIBRIO.** Conserve en todo momento bien apoyados los pies, lo mismo que el equilibrio.
- **CUIDE SUS HERRAMIENTAS.** Conserve sus herramientas afiladas y limpias para que funcionen mejor y con mayor seguridad. Siga las instrucciones para lubricación y cambio de accesorios de su unidad. Revise periódicamente el cordón eléctrico y hágalo reparar o reemplazar por un centro de servicio si está dañado. Cambie los cordones de extensión si están dañados. Conserve las empuñaduras secas, limpias y libres de aceite y grasa.
- **DESCONECTE Y APAGUE LAS HERRAMIENTAS** cuando no las use, antes de darles servicio y cuando cambie accesorios, tales como discos, brocas y otros dispositivos de corte.
- **RETIRE LAS LLAVES DE AJUSTE Y DE TUERCAS.** Adquiera el hábito de asegurarse que se han retirado las llaves de ajuste de las herramientas antes de accionarlas.
- **EVITE QUE LA HERRAMIENTA SE ACCIONE ACCIDENTALMENTE.** Nunca sostenga una herramienta que está conectada

con el dedo en el interruptor. Asegúrese que el interruptor está en posición de “apagado” antes de conectar la unidad.

- **CORDONES DE EXTENSIÓN PARA INTEMPERIE.** Cuando opere su herramienta a la intemperie, utilice únicamente cordones de extensión diseñados y marcados para este fin. Encontrará información más detallada en el interior del manual.
- **NO SE DISTRAIGA.** Concéntrese en lo que está haciendo. Recorra al sentido común. No opere ninguna herramienta si está fatigado.
- **VERIFIQUE LAS PARTES DAÑADAS.** Antes de seguir empleando cualquier herramienta, es indispensable verificar con mucho cuidado que las guardas u otras partes dañadas puedan operar de la manera adecuada para cumplir con su función. Verifique la alineación de las partes móviles, la firmeza con que deben encontrarse sujetas a sus montaduras, las partes rotas, las propias montaduras y cualesquiera otros detalles que pudieran afectar la operación de la herramienta. Las guardas y otras partes que se encuentren dañadas deberán cambiarse o repararse en un centro de servicio autorizado, a menos que se diga otra cosa en el manual del usuario. Haga que se cambien los interruptores dañados en un centro de servicio autorizado. No emplee ninguna herramienta que tenga estropeado o inutilizado el interruptor.
- **NO OPERE** ninguna herramienta eléctrica portátil cerca de líquidos inflamables ni atmósferas cargadas con gases explosivos. Los motores de estas herramientas descargan chispazos en condiciones normales, y éstos pueden desencadenar la ignición de gases y vapores combustibles.

Instrucciones especiales de seguridad para lijadoras

- Siempre que lije utilice protección para los ojos y respirador.
- No se recomienda lijar pinturas con base de plomo. Vea en la pág 24 las precauciones adicionales que se deben tomar cuando lije pintura.
- No opere la unidad sin la cubierta para polvo.

- **No opere esta herramienta durante períodos largos de tiempo.** La vibración causada por la acción de operación de la herramienta puede causar lesiones permanentes a sus dedos, manos y brazos. Use guantes para un mejor amortiguamiento, descanse con frecuencia y limite el tiempo diario de uso.

▲ **ADVERTENCIA:** Parte del polvo creado al lijar, aserruchar, moler o perforar con máquina, así como al realizar otras actividades de la construcción, contiene sustancias químicas que se sabe producen cáncer, defectos congénitos u otras afecciones reproductivas. Algunos ejemplos de esas sustancias químicas son:

- plomo de pinturas a base de plomo,
- sílice cristalizado de ladrillos y cemento y otros productos de albañilería, y
- arsénico y cromo de la madera químicamente tratada (CCA).

El riesgo al contacto con estas sustancias varía, según la frecuencia en que se haga este tipo de trabajo. Para reducir la exposición a esas sustancias químicas: trabaje en un área bien ventilada, y trabaje con equipos de seguridad aprobados, tales como máscaras contra el polvo especialmente diseñadas para filtrar las partículas microscópicas.

- **Evite el contacto prolongado con polvos originados por lijar, aserrar, esmerilar, taladrar y otras actividades constructivas. Vista ropas protectoras y lave las áreas expuestas con agua y jabón.** Permitir que el polvo se introduzca en su boca, ojos, o dejarlo sobre la piel promueve la absorción de químicos dañinos.

▲ **ADVERTENCIA:** La utilización de esta herramienta puede originar polvo o dispersarlo, lo que podría causar daños graves y permanentes al sistema respiratorio, así como otras lesiones. Siempre use protección respiratoria aprobada por NIOSH/OSHA, apropiada para su uso en condiciones de exposición al polvo. Procure que las partículas no se proyecten directamente sobre su rostro o su cuerpo.

▲ **PRECAUCIÓN:** Utilice la protección auditiva apropiada durante el uso. Bajo ciertas condiciones de duración de uso, el ruido producido por este producto puede contribuir a la pérdida auditiva.

Doble Aislamiento

Las herramientas DOBLEMENTE aisladas se han elaborado de manera integral con dos capas separadas de aislamiento eléctrico o una capa doble de aislamiento entre usted y el sistema eléctrico que contienen. Las herramientas construidas con este sistema de aislamiento no requieren conectarse a tierra. Como resultado su herramienta está equipada con una clavija de dos patas que le permite emplear cordones de extensión sin preocuparse por tener una conexión a tierra.

NOTA: El doble aislamiento no substituye a las precauciones normales de seguridad cuando se opera esta herramienta. La finalidad de este sistema de aislamiento es ofrecer a usted protección añadida contra lesiones resultantes de fallas en el aislamiento eléctrico interno de la herramienta.

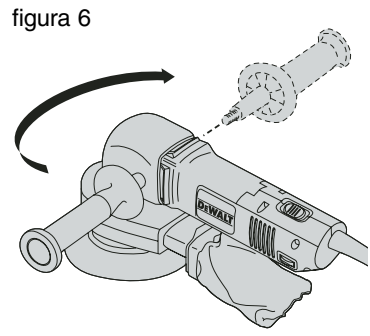
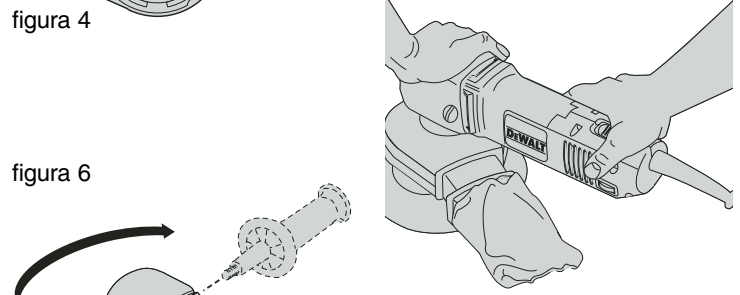
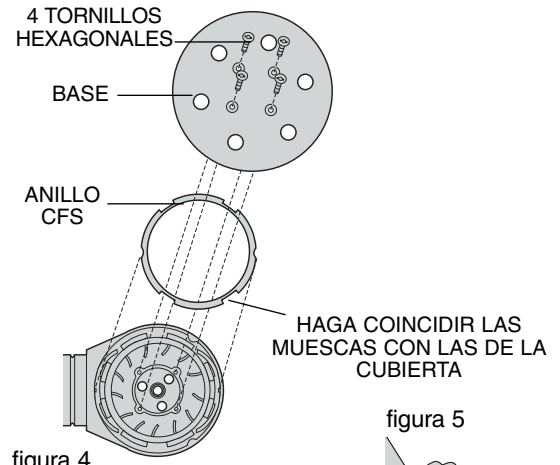
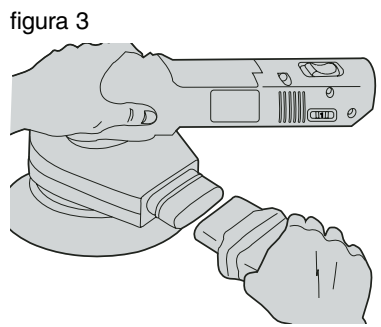
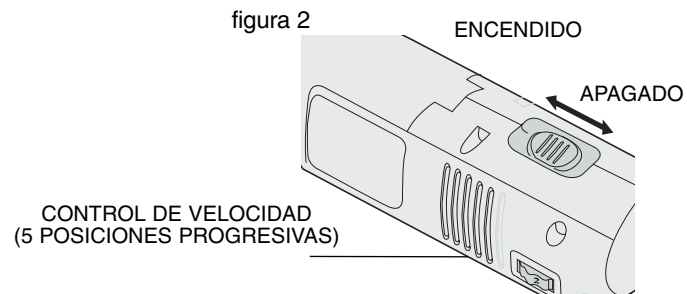
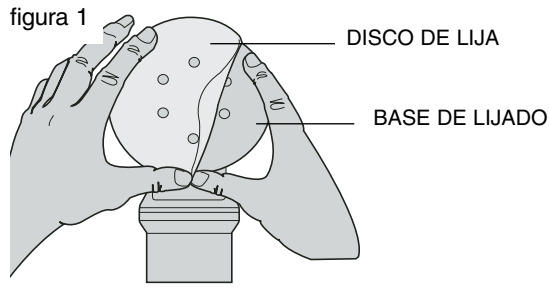
▲ **PRECAUCIÓN:** UTILICE SOLAMENTE REFACCIONES ORIGINALES cuando haga servicio a cualquier herramienta. Repare o reemplace los cordones eléctricos dañados.

Clavija polarizada

Este producto se suministra con una clavija polarizada (una de las patas es más ancha que la otra). Esta clavija se ajusta a tomas de corriente polarizadas (contactos) sólo de una manera. Si la clavija no se ajusta completamente a su toma de corriente, cambie las patas de lado. Si aún así no se ajusta, llame a un electricista calificado para que le instale una toma de corriente polarizada. No modifique o cambie esta clavija de ninguna manera.

Cordones de extensión

Asegúrese que su cordón de extensión esté en buenas condiciones. Cuando utilice un cordón de extensión, asegúrese de usar uno con el calibre necesario para soportar la corriente que su producto necesita. Un cordón de extensión de menor calibre al necesario ocasionará una caída en el voltaje de la línea, produciendo pérdida de potencia y sobrecalentamiento. La tabla muestra el calibre correcto para utilizarse de acuerdo de la longitud del cordón y el amperaje nominal que se encuentra en la placa de identificación del producto. Si tiene dudas, utilice el calibre inmediato superior. Mientras más pequeño es el número del calibre, mayor capacidad tiene el cordón.



Calibre mínimo para cordones de extensión					
Volts		Longitud total del cordón en metros			
120V		0-7.6	7.7-15.2	15.3-30.4	30.5-45.7
240V		0-15.2	15.3-30.4	30.5-60.9	70-91.4
Amperaje		AWG			
Más de	No más de				
0 -	6	18	16	16	14
6 -	10	18	16	14	12

GUARDE ESTAS INSTRUCCIONES PARA FUTURAS REFERENCIAS

Motor

Asegúrese que su toma de corriente concuerde con las especificaciones de la placa de identificación. 120 CA significa que su herramienta solamente se puede operar con corriente alterna y nunca con corriente directa. Disminuciones en el voltaje mayores al 10% causarán pérdida de potencia y sobrecalentamiento. Todas las herramientas se prueban en la fábrica; si esta herramienta no funciona, verifique la toma de corriente.

Colocación de los discos de lija

Su lijadora está diseñada para usar discos de lija de 15 cm (6") con seis perforaciones para extracción de polvo.

Gancho y abrazadera (DW442 y DW443)

ASP - Adhesivo Sensible a la Presión (DW441 y DW444)

Para colocar la lija en la base de lijado:

1. Apague y desconecte la herramienta.
2. De la vuelta a la lijadora de manera que la base de lijado quede boca arriba.
3. (Sólo DW441 y DW444) Elimine el polvo de la superficie de vinil de la base.
4. Sujete la base con una mano para evitar que gire.
5. Con la otra mano, haga coincidir las perforaciones y coloque el disco directamente sobre la base (figura 1).

Interruptor

(Ver figura 2) Para encender la unidad, deslice el interruptor hacia adelante (el símbolo "I" quedará visible). Para apagar la unidad, deslice el interruptor hacia atrás (el símbolo "O" quedará descubierto). Antes de conectar la herramienta, asegúrese que el interruptor está en la posición de apagado.

Control de velocidad (sólo DW443 y DW444)

El control de velocidad (5 posiciones progresivas) le permite incrementar o disminuir la velocidad desde 4000 hasta 6800 órbitas por minuto. La posición óptima para cada aplicación depende en gran parte de las preferencias personales. Quizá usted desee experimentar en una pieza de desperdicio para determinar la velocidad que le proporcione la mejor combinación de calidad de acabados y velocidad de remoción de material para su aplicación. Generalmente, usted utilizará una posición más alta en materiales con mayor dureza y una posición más baja en materiales suaves. La cantidad de material removido aumenta proporcionalmente a la velocidad.

Recolección de Polvo

Su lijadora está equipada con una bolsa-filtro de tela para recolectar el polvo generado durante el lijado. Para vaciar la bolsa recolectora, primero apague y desconecte la herramienta. Tire firmemente de la bolsa mientras sostiene la unidad por el protector de goma (figura 3). Vacíe la bolsa (puede voltear el interior hacia afuera si gusta.)

NOTA: Nunca opere esta herramienta a menos que la bolsa recolectora de polvo esté en su posición.

Reemplazo de la base de lijado

Cuando la base se haya desgastado, siga este procedimiento para reemplazarla. (Vea la figura 4)

1. Apague y desconecte la herramienta.
2. Quite los 4 tornillos hexagonales que se encuentran en la parte inferior de la herramienta. (utilice un dado T20 o un destornillador de punta plana.)

3. Quite la base.
4. Reemplace la base y coloque los tornillos, asegurándose que el disco quede bien alineado.

Operación

Para operar su lijadora, tómelala como se muestra en la figura 5 y enciéndala. Haga movimientos largos y consistentes sobre la superficie que esté lijando, permitiendo que la lijadora haga el trabajo.

NOTA: Aplicar presión excesiva a la herramienta únicamente disminuye la cantidad de material removido y da como resultado una superficie de calidad inferior.

Se suministra una empuñadura lateral con su unidad para que la emplee si lo desea. La empuñadura lateral puede atornillarse en cualquiera de los lados de la herramienta quitando primero el tornillo de plástico (figura 6).

NOTA: Asegúrese de revisar su trabajo constantemente, ya que su lijadora es capaz de remover el material rápidamente, especialmente con papel de grano grueso.

La acción orbital de su lijadora le permite lijar en cualquier ángulo en relación con el hilo de la madera en la mayor parte de los trabajos. Para producir el mejor acabado posible, comience con lija de grano grueso (burdo) y cámbielo gradualmente por lijas con grano más fino. Aspire y limpie la superficie con una franela entre los cambios de tipo de lija.

El tiempo que tarda en llenarse el recolector de polvo varía según el tipo de material que se lije y el tipo de grano de la lija. Para obtener mejores resultados, vacíe el recolector frecuentemente.

Cuando lije superficies pintadas, (vea en la página 24 las precauciones a tomar en cuenta cuando lije pintura) puede encontrarse con que la lija se tapa con la pintura que levanta. Una pistola de calor funcionará mucho mejor para remover la pintura antes de lijar. SIGA TODAS LAS INSTRUCCIONES DE SEGURIDAD DE EL MANUAL DE INSTRUCCIONES DE LA PISTOLA DE CALOR.

NOTE: Cuando utilice discos de lija con ASP (adhesivo sensible a la presión) es necesario remover el disco lo más pronto posible después de la operación. Es más difícil remover los papeles ASP si se dejan en la herramienta cuando se guarda. Para facilitar la remoción de lijas ASP, lije durante algunos minutos para suavizar el adhesivo del respaldo antes de cambiar este último.

Precauciones a tomar en cuenta cuando lije pintura

1. NO SE RECOMIENDA el lijado de pinturas con base de plomo debido a la dificultad para controlar el polvo contaminado. El mayor peligro de envenenamiento por plomo es para niños y mujeres embarazadas.
2. Ya que es difícil identificar si una pintura contiene plomo o no sin efectuar un análisis químico, recomendamos que tenga en cuenta las siguientes precauciones cuando lije cualquier tipo de pintura:

SEGURIDAD PERSONAL

- a. No permita que entren al área de trabajo niños ni mujeres embarazadas cuando lije pintura hasta que haya terminado de asear el lugar.
- b. Se recomienda el uso de máscaras o respiradores para todas las personas que entren al área de trabajo. El filtro se debe reemplazar diariamente o cuando el usuario tenga dificultad para respirar.

NOTA: Sólo deben utilizarse mascararas adecuadas para trabajo con polvo y vapores de pintura. Las mascararas ordinarias para pintura no ofrecen esta protección. Vea a su distribuidor de herramienta local para conseguir la máscara adecuada.

- c. NO COMA, BEBA O FUME en la zona de trabajo para evitar ingerir partículas de pintura contaminadas. Los usuarios deberán lavarse y limpiarse ANTES de comer, beber o fumar. No deben dejarse artículos para comer beber o fumar en el área de trabajo donde el polvo se asentaría en ellos.

SEGURIDAD AMBIENTAL

- a. La pintura debe removerse de tal manera que se minimice la cantidad generada de polvo.
- b. Se deben sellar las áreas en que se remueve pintura con láminas de plástico de 4 mils. de espesor.
- c. El lijado debe hacerse en tal forma que se reduzca el desalojo de pintura fuera de la zona de trabajo.

LIMPIEZA Y DESECHO

- a. Todas las superficies en el área de trabajo deben ser aspiradas y limpiadas a conciencia diariamente el tiempo que dure el proyecto de lijado. Las bolsas filtro de las aspiradoras deben cambiarse frecuentemente.
- b. Las láminas de plástico deben recogerse y desecharse con cualquier resto de pintura. Deben depositarse en receptáculos sellados y deben desecharse a través de los procedimientos de recolección de basura normales. Durante la limpieza, niños y mujeres embarazadas deben permanecer alejados de la zona de trabajo inmediata.
- c. Todo tipo de juguetes, mobiliario lavable y utensilios usados por niños deben lavarse a conciencia antes de volver a utilizarse.

Limpieza

Conserve su unidad tan limpia como sea posible frotándola con un trapo limpio y aplicándole aire a presión después de cada 5 horas de uso. No emplee productos químicos agresivos o solventes para limpiar la herramienta. Estos químicos pueden dañar seriamente los polímeros utilizados en la fabricación de su unidad. Si acostumbra enrollar el cordón eléctrico alrededor de su herramienta cuando la guarda, déjelo suficientemente flojo para que la protección del cordón no se dañe. Esto ayudará a evitar fallas prematuras en el cordón eléctrico.

Lubricación

Se han empleado baleros autolubricantes en la fabricación de su herramienta, por lo tanto no se requerirá relubricación periódica. Sin

embargo, se recomienda que, una vez al año, lleve o envíe la herramienta a un centro de servicio para una limpieza profunda e inspección.

Reparaciones

Para garantizar la SEGURIDAD y la CONFIABILIDAD, deberán hacerse reparaciones, mantenimiento y ajustes de esta herramienta en los centros autorizados de servicio DeWALT u otras organizaciones autorizadas. Estas organizaciones prestan servicio a las herramientas DeWALT y emplean siempre refacciones legítimas DeWALT.

Notas sobre aplicaciones

PAPEL DE LIJA - TIPOS DE GRANO

Abrasivos naturales

El pedernal es el más suave (7 en la escala de Mohs)* de los abrasivos naturales comunes. Tiene color pardusco y es muy barata.

La lija de granate es más dura que la de pedernal (7.5 en la escala de Mohs) y se le identifica fácilmente por su color naranja brillante. Aún cuando no es la más dura, la forma de fracturarse del abrasivo le proporciona buenos filos de corte para trabajar con madera.

El esmeril, aunque es más duro que el granate (9 en la escala de Mohs), tiene filos romos, lo que lo hace un abrasivo para lijado muy pobre. Su principal uso es en el pulido de metales.

Abrasivos Manufacturados

El óxido de aluminio blanco (AIO) es extremadamente duro (12 en la escala de Mohs) y durable, lo que lo hace una gran alternativa para usarse con su Pulidora de Órbita Aleatoria. "Blanco" describe la forma de fabricación del abrasivo, no su color. Este abrasivo es fácil de encontrar y viene en diferentes colores, debido al cada vez más común uso de pigmentos. Los lubricantes de estearato en la lija mejoran su desempeño al bajar la temperatura y reducir la velocidad con que se tapa.

El carburo de silicio (SiC) es el abrasivo más duro (13 en la escala de Mohs) que comúnmente se pueda encontrar, después del diamante industrial, pero no es tan resistente como los abrasivos de óxido de aluminio. Este abrasivo se fractura fácilmente y forma caras afiladas

para trabajar todo el tiempo que dure el papel de lija. Esta característica “auto afilante” hace del SiC un abrasivo sobresaliente para la remoción de material, pero limita su vida útil.

* La Escala de Mohs es la escala de dureza mineral. Califica el diamante como 10, lo más duro, y el talco como 1

RECUBRIMIENTO ABIERTO CONTRA RECUBRIMIENTO CERRADO

Los abrasivos se aplican al papel con pegamento. Cuando el grano es grande (digamos grano 60 u 80) el porcentaje de cobertura usualmente se ve reducido a 60% ó 70% sobre la superficie del papel. Esto aumenta la vida del papel al reducir la frecuencia con que se tapa. Esto se llama recubrimiento abierto y casi es la única forma en que puede conseguir lija de grano grueso. Con grano más fino, éste se aplica en coberturas de 90% o más y se conocen como recubrimiento cerrado. Ya que las partículas de polvo son mucho más pequeñas, la tendencia del papel a recoger material y taparse se ve ampliamente reducida.

TAMAÑOS DE GRANO

Existen varios sistemas para graduar. El más popular actualmente se basa en el tamaño de tamiz. El número que se encuentra en la parte posterior de su disco de lija se refiere al tamaño de la malla por la que una partícula puede pasar. En la lija de grano 120, por ejemplo, el grano pasará a través de una malla con 120 agujeros por pulgada lineal. Cada pulgada cuadrada de la malla tiene 14,400 agujeros (120 x 120). Mientras mayor sea el número, más finas serán las partículas. Los tamaños comunes van de 36 a 600 con la reciente introducción de tamaños de grano hasta 1200.

PAPEL Y PELÍCULA: EL RESPALDO:

Papel: el material más frecuentemente usado para llevar el abrasivo es papel. El papel se gradúa de acuerdo al peso. El papel con peso “A” es el más utilizado y es el más ligero de los que se emplean y brinda buena durabilidad y flexibilidad para la mayoría de las aplicaciones de lijado. Otros pesos de papel disponibles son C, D, E, y F. La desventaja del papel es su baja rigidez mecánica. Ya que las fibras del papel

quedan expuestas durante el lijado, el abrasivo no se sostiene y algunas partes no ofrecen filos cortantes. La ventaja es el costo.

Película: los discos de lija con respaldo de película resuelven las desventajas del papel. La película ofrece mayor rigidez mecánica que este último. Es más cara, pero aumenta el rendimiento de corte del abrasivo.

Tela y fibra vulcanizada: Este tipo de respaldos son típicamente difíciles de encontrar y se usan en aplicaciones especializadas. La mayoría de las lijas que usted utilizará tendrán respaldo de papel o de película.

Gancho y abrazadera y ASP: Lo que sujeta el disco de lija a la base.

Gancho y abrazadera: El disco de lija con lazos de paño en la parte posterior (abrazadera) que se sujetan a unos postes (ganchos) en la base de la lijadora. Las ventajas consisten en que el papel puede volver a usarse y existe una zona más fría entre la lija y la pieza de trabajo.

ASP: El adhesivo sensible a la presión se aplica a la parte posterior del disco de lija y se adhiere a la base de la lijadora (no a la misma base que soporta la lija de gancho y abrazadera). La ventaja es el costo. La mayor desventaja es la tendencia de las lijas con ASP a adherirse permanentemente a la base si se les deja allí después de lijar. ¿Por qué ocurre esto? Principalmente debido al calor. Durante el proceso la lija y la base se calientan, esto ocasiona que el adhesivo fluya por todos los surcos del vinil y haga una fuerte unión. Si usted quita la lija de la base inmediatamente después de que termine de lijar, no permitirá que el adhesivo haga esta unión. Si deja el disco por un par de días el adhesivo se asentará y adquirirá mayor fuerza que el vehículo de papel, ocasionando que éste se rompa y dejándole una pesada tarea de limpieza. Una desventaja más: Si usted realiza pequeñas tareas de lijado y la lija no se desgasta, no podrá volver a utilizarla y tendrá mayor desperdicio.

LIJADO

REGLAS BÁSICAS: ¿Cuáles romper y cuáles no?

Comience siempre con el grano más grueso. No rompa esta regla. Los rasguños se hacen más pequeños conforme el número del grano

umenta y la calidad del acabado generalmente mejora. Cuando cambie de grano, tenga cuidado de limpiar la superficie que esté trabajando. Una partícula de grano 80 en la superficie de trabajo cuando usted esté lijando con grano 220 dejará rasguños de grano 80. La mejor forma de evitar esto es aspirarla superficie de trabajo y limpiarla después con una franela.

La acción orbital aleatoria de su lijadora se aplica igual a través del grano que a lo largo de éste. Ya que las marcas de la lija son pequeñas y en todos sentidos, la habilidad del ojo para verlas será reducida.

Siempre utilice una máscara para evitar respirar el polvo. **NUNCA ROMPA ESTA REGLA.** Hemos diseñado la herramienta para recolectar la mayor parte del polvo creado durante el proceso de lijado, pero la unidad no lo capturará todo. Para mejorar la captura, utilice una aspiradora, pero **SIEMPRE** utilice una máscara para polvo.

ALGUNAS OTRAS RECOMENDACIONES PARA UN MEJOR ACABADO

Una lijadora de órbita aleatoria es mucho más agresiva que otras herramientas orbitales de tamaño similar, así que usted quizá quiera considerar utilizar el siguiente número de grano cuando vaya a iniciar su proyecto.

Ya que la acción orbital aleatoria hace rasguños pequeños, usted puede encontrarse con que no necesita tantos cambios de grano. Muchos fabricantes de muebles utilizan solamente grano 80, 120 y 150 en sus trabajos con resultados satisfactorios. Si tiene dudas acerca del acabado, frote la superficie con algún adelgazador de pintura, los defectos se verán más oscuros que la madera que los rodea.

La inspección cuidadosa de la superficie antes de la operación de acabado puede revelarle salientes. Trate de corregir estos problemas con una plancha caliente y un trapo húmedo, o lije con cuidado una superficie amplia alrededor de la saliente. Si lija vigorosamente únicamente sobre el defecto, puede originar una superficie cóncava.

Cuando haya quedado satisfecho con el trabajo de lijado y haya terminado con la lija de grano más fino, levante los granos depositados en la superficie mojándola con un trapo húmedo. Cuando la madera

se haya secado y usted esté listo para aplicar el acabado, vuelva alijar ligeramente para eliminar las fibras de madera que se hayan levantado con el agua. Aspire y limpie las superficies y aplique inmediatamente la primera capa del recubrimiento antes de que se ensucie la madera.

MADERA: Algunas características importantes de la madera

Fibra dura y fibra suave

Existen maderas de fibras duras y de fibras suaves. Las fibras duras son el producto típico de crecimiento de verano y las fibras suaves de primavera. Todas las lijadoras remueven mayor cantidad de fibras suaves que duras, y en vista de que la lijadora de órbita aleatoria es más agresiva, removerá el material mucho más rápido. El lijado prolongado en una pieza de pino, por ejemplo, producirá un acabado notablemente disperejo. Esta es una buena razón para corregir las imperfecciones antes de lijar.

Accesorios

Los accesorios que se recomiendan para la herramienta están disponibles a un costo adicional en su distribuidor local o en un centro de mantenimiento autorizado. Si necesita ayuda para localizar algún accesorio para su herramienta, comuníquese con DEWALT Industrial Tool Co., 701 East Joppa Road, Baltimore, MD 21286 o visite nuestro sitio Web www.dewalt.com.

⚠ PRECAUCIÓN: El empleo de cualquier accesorio no recomendado para esta herramienta puede ser peligroso.

⚠ PRECAUCIÓN: NO UTILICE BONETES PARA PULIR CON LAZOS PARA ATAR. PUEDEN RESULTAR LESIONES PERSONALES EXTREMAS SI LOS DEDOS SE ATORAN CON UNO DE LOS NUDOS DE LAZO AL GIRAR ÉSTOS.

Póliza de Garantía

IDENTIFICACIÓN DEL PRODUCTO:

Sello o firma del Distribuidor.

Nombre del producto: _____ Mod./Cat.: _____

Marca: _____ Núm. de serie: _____

(Datos para ser llenados por el distribuidor)

Fecha de compra y/o entrega del producto: _____

Nombre y domicilio del distribuidor donde se adquirió el producto: _____

Este producto está garantizado por un año a partir de la fecha de entrega, contra cualquier defecto en su funcionamiento, así como en materiales y mano de obra empleados para su fabricación. Nuestra garantía incluye la reparación o reposición del producto y/o componentes sin cargo alguno para el cliente, incluyendo mano de obra, así como los gastos de transportación razonablemente erogados derivados del cumplimiento de este certificado.

Para hacer efectiva esta garantía deberá presentar su herramienta y esta póliza sellada por el establecimiento comercial donde se adquirió el producto, de no contar con ésta, bastará la factura de compra.

EXCEPCIONES.

Esta garantía no será válida en los siguientes casos:

- Cuando el producto se hubiese utilizado en condiciones distintas a las normales;
- Cuando el producto no hubiese sido operado de acuerdo con el instructivo de uso que se acompaña;
- Cuando el producto hubiese sido alterado o reparado por personas distintas a las enlistadas al final de este certificado.

Anexo encontrará una relación de sucursales de servicio de fábrica, centros de servicio autorizados y franquiciados en la República Mexicana, donde podrá hacer efectiva su garantía y adquirir partes, refacciones y accesorios originales.

Garantía limitada por tres años

DeWALT reparará, sin cargo, cualquier falla que surja de defectos en el material o la fabricación del producto, por hasta tres años a contar de la fecha de compra. Esta garantía no cubre fallas de las piezas causadas por su desgaste normal o abuso a la herramienta. Para

mayores detalles sobre la cobertura de la garantía e información acerca de reparaciones realizadas bajo garantía, visítenos en www.dewalt.com o llámenos al 1 800 433-9258 (1-800-4-DeWALT). Esta garantía no aplica a accesorios o a daños causados por reparaciones realizadas o intentadas por terceros. Esta garantía le otorga derechos legales específicos, además de los cuales puede tener otros dependiendo del estado o provincia en que se encuentre.

Además de la garantía, las herramientas DeWALT están cubiertas por:

1 AÑO DE SERVICIO GRATUITO

DeWALT mantendrá la herramienta y reemplazará las piezas gastadas por su uso normal, sin cobro, en cualquier momento durante un año a contar de la fecha de compra.

GARANTÍA DE REEMBOLSO DE SU DINERO POR 90 DÍAS

Si no está completamente satisfecho con el desempeño de su máquina herramienta, láser o clavadora DeWALT, cualquiera sea el motivo, podrá devolverlo hasta 90 días de la fecha de compra con su recibo y obtener el reembolso completo de su dinero – sin necesidad de responder a ninguna pregunta.

AMÉRICA LATINA: Esta garantía no se aplica a los productos que se venden en América Latina. Para los productos que se venden en América Latina, debe consultar la información de la garantía específica del país que viene en el empaque, llamar a la compañía local o visitar el sitio Web a fin de obtener esa información.

REEMPLAZO DE LAS ETIQUETAS DE ADVERTENCIA GRATUITO: Si sus etiquetas de advertencia se tornan ilegibles o se pierden, llame al 1-800-4-DeWALT para que se las reemplacen sin cost.

**PARA REPARACION Y SERVICIO DE SUS HERRAMIENTAS
ELÉCTRICAS, FAVOR DE DIRIGIRSE AL CENTRO DE SERVICIO
MAS CERCANO**

CULIACAN, SIN

Av. Nicolás Bravo #1063 Sur - Col. Industrial Bravo (667) 7 12 42 11

GUADALAJARA, JAL

Av. La Paz #1779 - Col. Americana Sector Juárez (33) 3825 6978

MEXICO, D.F.

Eje Central Lázaro Cárdenas No. 18
Local D, Col. Obrera (55) 5588 9377

MERIDA, YUC

Calle 63 #459-A - Col. Centro (999) 928 5038

MONTERREY, N.L.

Av. Francisco I. Madero No.831 - Col. Centro (81) 8375 2313

PUEBLA, PUE

17 Norte #205 - Col. Centro (222) 246 3714

QUERETARO, QRO

Av. Madero 139 Pte. - Col. Centro (442) 214 1660

SAN LUIS POTOSI, SLP

Av. Universidad 1525 - Col. San Luis (444) 814 2383

TORREON, COAH

Blvd. Independencia, 96 Pte. - Col. Centro (871) 716 5265

VERACRUZ, VER

Prolongación Díaz Mirón #4280 - Col. Remes (229) 921 7016

VILLAHERMOSA, TAB

Constitución 516-A - Col. Centro (993) 312 5111

PARA OTRAS LOCALIDADES LLAME AL: (55) 5326 7100

IMPORTADOR: DEWALT S.A. DE C.V.
BOSQUES DE CIDROS ACCESO RADIATAS NO. 42
COL. BOSQUES DE LAS LOMAS, 3A. SECCIÓN, CP 05120
DELEGACIÓN CUAJIMALPA, MÉXICO, D.F.
TEL. 5 326 7100
R.F.C.: BDE810626-1W7

Para servicio y ventas consulte
"HERRAMIENTAS ELECTRICAS"
en la sección amarilla.



Español

D_EWALT Industrial Tool Co., 701 East Joppa Road, Baltimore, MD 21286 (DEC05) Form No. 384233-00
DW441, DW442, DW443, DW444 COPYRIGHT © 2000, 2004, 2005 D_EWALT

The following are trademarks for one or more D_EWALT power tools: the yellow and black color scheme; the “D” shaped air intake grill; the array of pyramids on the handgrip; the kit box configuration; and the array of lozenge-shaped humps on the surface of the tool.