

Questions? See us in the World Wide Web at www.dewalt.com

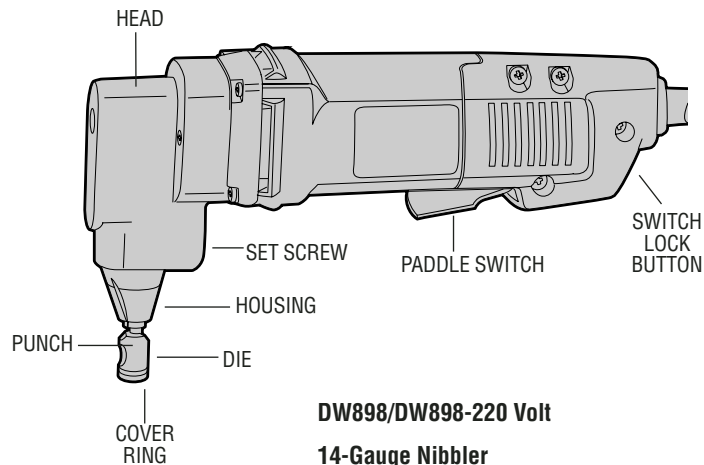
**INSTRUCTION MANUAL
GUIDE D'UTILISATION
MANUAL DE INSTRUCCIONES**

INSTRUCTIVO DE OPERACIÓN, CENTROS DE SERVICIO Y PÓLIZA
DE GARANTÍA. **ADVERTENCIA:** LÉASE ESTE INSTRUCTIVO ANTES
DE USAR EL PRODUCTO.

DEWALT®

**DW898/DW898-220
14 Gauge Nibbler
Grignoteuse de calibre 14
Cortadora de lámina calibre 14**

IF YOU HAVE ANY QUESTIONS OR COMMENTS ABOUT THIS
OR ANY DEWALT TOOL, CALL US TOLL FREE AT:
1-800-4-DEWALT (1-800-433-9258)



**DW898/DW898-220 Volt
14-Gauge Nibbler**

IMPORTANT SAFETY INSTRUCTIONS (FOR ALL TOOLS)

WARNING: When using electric tools, basic safety precautions should always be followed to reduce risk of fire, electric shock, and personal injury, including the following:

READ ALL INSTRUCTIONS

Double Insulation

Double insulated tools are constructed throughout with two separate layers of electrical insulation or one double thickness of insulation between you and the tool's electrical system.

Tools built with this insulation system are not intended to be grounded. As a result, your tool is equipped with a two prong plug which permits you to use extension cords without concern for maintaining a ground connection.

NOTE: Double insulation does not take the place of normal safety precautions when operating this tool. The insulation system is for added protection against injury resulting from a possible electrical insulation failure within the tool.

CAUTION: When servicing all tools, USE IDENTICAL REPLACEMENT PARTS. Repair or replace damaged cords.

Polarized Plug

Polarized plugs (one blade is wider than the other) are used on equipment to reduce the risk of electric shock. When provided, this plug will fit into a polarized outlet only one way. If the plug does not fit fully into your outlet, reverse the plug. If it still does not fit, contact a qualified electrician to install a proper polarized outlet. Do not modify or change this plug in any way.

For All Tools:

- **KEEP WORK AREA CLEAN.** Cluttered areas and benches invite

injuries.

- **CONSIDER WORK AREA ENVIRONMENT.** Don't expose power tools to rain. Don't use power tools in damp or wet locations. Keep work area well lit.
- **GUARD AGAINST ELECTRIC SHOCK.** Prevent body contact with grounded surfaces; for example, pipes, radiators, ranges, and refrigerator enclosures.
- **KEEP CHILDREN AWAY.** All visitors should be kept away from work area. Do not let visitors contact tool or extension cord.
- **STORE IDLE TOOLS.** When not in use, tools should be stored in dry, and high or locked-up place — out of reach of children.
- **DON'T FORCE A TOOL.** It will do the job better and safer at the rate for which it was intended.
- **USE RIGHT TOOL.** Don't force small tool or attachment to do the job of a heavy duty tool. Don't use tool for purpose not intended; for example, don't use circular saw for cutting tree limbs or logs.
- **DRESS PROPERLY.** Do not wear loose clothing or jewelry. Contain long hair. Keep your hair, clothing, and gloves away from moving parts. Loose clothing, jewelry, or long hair can be caught in moving parts. Air vents often cover moving parts and should also be avoided.
- **USE SAFETY GLASSES.** Also use face or dustmask if operation is dusty.
- **DON'T ABUSE CORD.** Never carry tool by cord or yank it to disconnect from receptacle. Keep cord from heat, oil, and sharp edges.
- **SECURE WORK.** Use clamps or a vise to hold work. It's safer than using your hand and it frees both hands to operate tool.
- **DON'T OVERREACH.** Keep proper footing and balance at all times.
- **MAINTAIN TOOLS WITH CARE.** Keep tools sharp and clean for better and safe performance. Follow instructions for lubricating and changing accessories. Inspect tool cords periodically and if damaged have repaired by authorized service facility. Inspect extension cords periodically and replace if damaged. Keep

handles dry, clean, and free from oil and grease.

- **DISCONNECT OR LOCK OFF TOOLS** when not in use, before servicing, and when changing accessories, such as blades, bits, cutters.
- **REMOVE ADJUSTING KEYS AND WRENCHES.** Form habit of checking to see that keys and adjusting wrenches are removed from tool before turning it on.
- **AVOID UNINTENTIONAL STARTING.** Don't carry plugged-in tool with finger on the switch. Be sure the switch is off when plugging in.
- **EXTENSION CORDS.** Make sure your extension cord is in good condition. When using an extension cord, be sure to use one heavy enough to carry the current your product will draw. An undersized cord will cause a drop in line voltage resulting in loss of power and overheating. The following table shows the correct size to use depending on cord length and nameplate ampere rating. If in doubt, use the next heavier gage. The smaller the gage number, the heavier the cord.

Volts	Minimum Gage for Cord Sets			
	Total Length of Cord in Feet			
120V	0-25	26-50	51-100	101-150
240V	0-50	51-100	101-200	201-300
Ampere Rating		AWG		
More Than	Not more Than			
0	- 6	18	16	16 14
6	- 10	18	16	14 12
10	- 12	16	16	14 12
12	- 16	14	12	Not Recommended

- **STAY ALERT.** Watch what you are doing. Use common sense. Do not operate tool when you are tired.
- **OUTDOOR USE EXTENSION CORDS.** When tool is used outdoors, use only extension cords intended for use outdoors and so marked.
- **CHECK DAMAGED PARTS.** Before further use of the tool, a guard or other part that is damaged should be carefully checked to determine that it will operate properly and perform its intended

function. Check for alignment of moving parts, binding of moving parts, breakage of parts, mounting, and any other conditions that may affect its operation. A guard or other part that is defective should be properly repaired or replaced by an authorized service center unless otherwise indicated elsewhere in this instruction manual. Have defective switches replaced by authorized service center. Do not use tool if switch does not turn it on and off.

- **DO NOT OPERATE** portable electric tools near flammable liquids or in gaseous or explosive atmospheres. Motors in these tools normally spark, and the sparks might ignite fumes.

⚠ **CAUTION:** Wear appropriate personal hearing protection during use. Under some conditions and duration of use, noise from this product may contribute to hearing loss.

- ⚠ **CAUTION:** When drilling or driving into walls, floors or wherever live electrical wires may be encountered, **DO NOT TOUCH ANY METAL PARTS OF THE TOOLS!** Hold the tool only by insulated grasping surfaces to prevent electric shock if you drive into a live wire.

⚠ **WARNING:** Some dust created by power sanding, sawing, grinding, drilling, and other construction activities contains chemicals known to cause cancer, birth defects or other reproductive harm. Some examples of these chemicals are:

- lead from lead-based paints,
- crystalline silica from bricks and cement and other masonry products, and
- arsenic and chromium from chemically-treated lumber (CCA).

Your risk from these exposures varies, depending on how often you do this type of work. To reduce your exposure to these chemicals: work in a well ventilated area, and work with approved safety equipment, such as those dust masks that are specially designed to filter out microscopic particles.

- **Avoid prolonged contact with dust from power sanding, sawing, grinding, drilling, and other construction activities. Wear protective clothing and wash exposed areas with soap**

and water. Allowing dust to get into your mouth, eyes, or lay on the skin may promote absorption of harmful chemicals.

SAVE THESE INSTRUCTIONS FOR FUTURE USE

Operating Rules for Nibblers

1. Always wear safety glasses and protective gloves.
2. Wear safety shoes to protect your feet from sharp metal debris on floor.
3. Cut material at or below rated capacity. Remember, material thickness increases as gauge number decreases (14 gauge is thicker than 16 gauge). 14 gauge thickness is .075" (1,9 mm); 16 gauge is .060" (1,5 mm).
4. Keep all screws tight. Periodically check them for loosening.
5. Unplug tool before making any adjustments.
6. Do not put anything into a motor housing opening.
7. Keep tool clean. Blow off any metal debris and dirt from tool.
8. Firmly secure the piece of metal to be cut to prevent movement during cutting.

PADDLE SWITCH

To start the tool, depress the paddle switch. To turn the tool off, release the paddle. The switch can be locked on by engaging the lock button located near the rear of the tool while holding the paddle depressed. Always be sure that the tool is not locked on before plugging it in. To turn the tool off when it is locked on, squeeze and release the paddle once.

Operation

TURN OFF TOOL AND DISCONNECT FROM POWER SUPPLY BEFORE MAKING ANY ADJUSTMENTS. Always wear safety glasses and protective gloves.

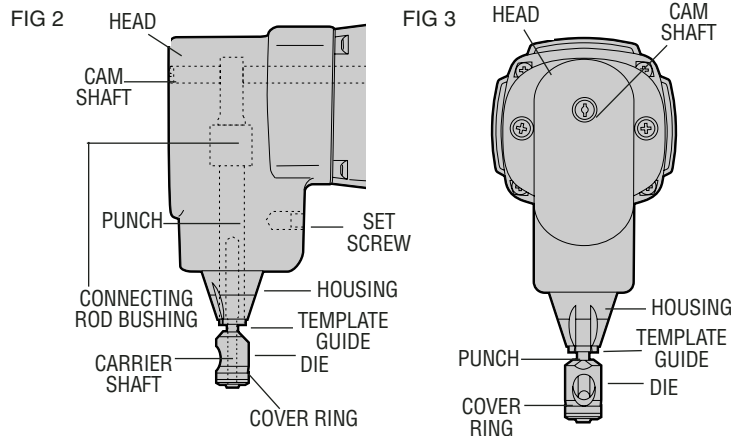
Lubricate surface of material with oil. The nibbler is designed to cut flat and shallow corrugated metal.

The tool is factory assembled with the punch oriented forward for cutting flat and shallow corrugated material.

The head can be aligned in three positions: left, forward, and right (See Figure 2). To rotate the head, loosen the set screw. Turn the head in the desired direction. **NOTE:** Do not rotate the head in a complete circle as this will change the punch engagement in the die. Rotate the housing in the head and turn the set screw in until you feel the set screw engage a recess in the shoe. Tighten the set screw firmly. Periodically recheck this screw for tightness.

The nibbler head is designed to fit through a 3/4" (19mm) diameter hole for starting a cut in the middle of the work. Nibbling can be done in any direction from this hole. A punch width indicator is provided on the front of the housing to allow users to follow a line closely (Figure 3).

The bottom of the housing has a .51" (13mm) diameter template guide to allow for use of templates. See Figures 2 and 3 for template guide surface. The thickness of the template should be such that the



total thickness of the template and workpiece is 13/64" to 1/4" (5 to 6.5mm). The shape of the template must be .1" (2.5mm) away from the shape to be nibbled. The tool should be guided so that the outside diameter (.51" or 13mm) of the housing always rests on the template.

CHANGING PUNCHES

Never cut with a blunt, dull punch. Punches can be sharpened until they reach a length of 2.72" (69mm). Shorter punches are unserviceable. To remove the punch, loosen the head set screw about 4-5 turns (See Figure 2). Slide the housing from the head. Unscrew the punch from the connecting rod bushing. Punch may be resharpened carefully on a bench grinder with a fine grit wheel. Be careful that the punch does not become shorter than the minimum length. Punches shorter than this will not engage the die sufficiently and must be replaced. The ground face must be square to the punch axis. After grinding, carefully stone the ground edges to remove burrs. Do not round over corners.

REASSEMBLY OF NIBBLER HEAD

Screw the punch fully into the connecting rod bushing. Slide the housing over the end of the punch and into the head. Turn the housing to desired cut orientation. Tighten set screw. Next, check punch engagement.

CHECKING PUNCH ENGAGEMENT

Since the punch length is now changed, the punch engagement may have to be adjusted. Check punch engagement by placing a flat blade screwdriver in the cam shaft slot and turning the shaft (See Figure 2). Punch should dip .020" to .06" (.5 to 1.15mm) into the die at the full down stroke position. Too much punch dip into the die will result in a loss of capacity (bottom of punch will not clear die enough on up stroke.)

PUNCH ENGAGEMENT ADJUSTMENT

If the punch engagement should need adjustment, loosen the set

screw and rotate shoe either clockwise (punch deeper into die) or counterclockwise (punch out of die). Tighten set screw firmly. Turn cam shaft with screwdriver in slot to check punch engagement (moving punch fully down). Repeat as necessary.

DIE REPLACEMENT

If the die becomes dull, replace it. Replace old die by pushing the cover ring up and out of the die groove. Knock out the retaining pin under the cover ring with a drift punch. Pull die off the carrier shaft. Install new die on carrier shaft. Align cross hole in die with groove in carrier shaft. Install pin. Snap cover ring over die in groove provided.

Maintenance

DISCONNECT TOOL FROM POWER SUPPLY BEFORE PERFORMING ANY MAINTENANCE. Check that the punch and die are sharp. If either is dull, sharpen or replace. Keep the tool clean. Blow off periodically. Never use solvents or harsh chemicals for cleaning non-metallic parts of the tool. Use a clean, dry rag only. Periodically dip the shoe in oil. This is a precision tool. Use it carefully and store it in a protected place.

Cleaning & Lubrication

Use only mild soap and damp cloth to clean the tool. Never let any liquid get inside the tool; never immerse any part of the tool into a liquid.

Self-lubricating bearings are used in the tool and periodic relubrication is not required. In the unlikely event that service is ever needed, service center addresses are packed with your tool.

Motor Brushes

Brush replacement should be performed by authorized service centers or other qualified service organizations.

Important

To assure product SAFETY and RELIABILITY, repairs, maintenance and adjustment (including brush inspection and replacement) should be performed by authorized service centers or other qualified service

organizations, always using identical replacement parts.

Accessories

Recommended accessories for use with your tool are available at extra cost from your local dealer or authorized service center. If you need assistance in locating any accessory for your tool, contact: D_EWALT Industrial Tool Co., 701 East Joppa Road, Baltimore, MD 21286

⚠ CAUTION: The use of any other accessory not recommended for use with this tool could be hazardous.

Full Warranty

D_EWALT heavy duty industrial tools are warranted for one year from date of purchase. We will repair, without charge, any defects due to faulty materials or workmanship. For warranty repair information, call 1-800-4-D_EWALT. This warranty does not apply to accessories or damage caused where repairs have been made or attempted by others. This warranty gives you specific legal rights and you may have other rights which vary in certain states or provinces.

In addition to the warranty, D_EWALT tools are covered by our:

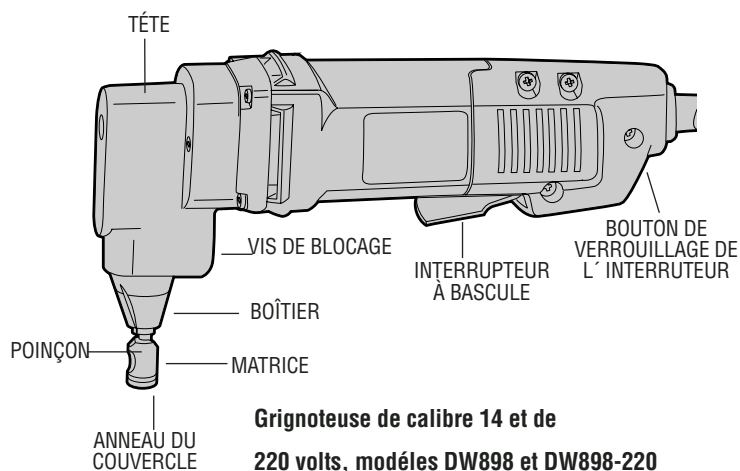
30 DAY NO RISK SATISFACTION GUARANTEE

If you are not completely satisfied with the performance of your D_EWALT heavy duty industrial tool, simply return it to the participating seller within 30 days for a full refund. Please return the complete unit, transportation prepaid. Proof of purchase may be required.

FREE WARNING LABEL REPLACEMENT: If your warning labels become illegible or are missing, call 1-800-4-DEWALT for a free replacement.

POUR TOUT RENSEIGNEMENT SUPPLÉMENTAIRE SUR CET OUTIL OU TOUT AUTRE OUTIL DEWALT, COMPOSER SANS FRAIS LE NUMÉRO:

1 800 4-DEWALT (1 800 433-9258)



IMPORTANTES MESURES DE SÉCURITÉ (POUR TOUS LES OUTILS)

⚠ **AVERTISSEMENT** : Afin de réduire les risques d'incendie, de secousses électriques ou de blessures lorsqu'on utilise des outils électriques, il faut toujours respecter les mesures de sécurité suivantes.

LIRE TOUTES LES DIRECTIVES.

Double isolation

Les outils à double isolation comportent deux couches distinctes d'isolant électrique ou une double épaisseur d'isolant qui protègent l'utilisateur contre les risques de blessures provenant du système électrique de l'outil.

Ce système de double isolation élimine le besoin de mettre les outils à la terre. En effet, l'outil est muni d'une fiche à deux broches, ce qui permet d'utiliser une rallonge ordinaire sans avoir à se soucier d'assurer la mise à la terre.

NOTE : La double isolation ne dispense pas des mesures de sécurité normales lors de l'utilisation de l'outil. Elle vise à procurer une protection supplémentaire contre les blessures que peut entraîner une défectuosité de l'isolant électrique à l'intérieur de l'outil.

⚠ **MISE EN GARDE** : Lors de l'entretien, N'UTILISER QUE DES PIÈCES DE RECHANGE IDENTIQUES. Réparer ou remplacer les cordons endommagés.

Fiche polarisée

Afin de réduire les risques de secousses électriques, l'outil est muni d'une fiche polarisée (une lame plus large que l'autre). Ce genre de fiche n'entre que d'une façon dans une prise polarisée. Lorsqu'on ne

peut insérer la fiche à fond dans la prise, il faut tenter de le faire après avoir inversé les lames de côté. Si la fiche n'entre toujours pas dans la prise, il faut communiquer avec un électricien certifié afin qu'il installe une prise appropriée. Il ne faut en aucun cas modifier la fiche.

Pour tous les outils

- **BIEN DÉGAGER LA SURFACE DE TRAVAIL.** Des surfaces et des établis encombrés peuvent être la cause de blessures.
- **TENIR COMPTE DU MILIEU DE TRAVAIL.** Protéger les outils électriques de la pluie. Ne pas s'en servir dans des endroits humides ou mouillés. Bien éclairer la surface de travail.
- **SE PROTÉGER CONTRE LES SECOUSSES ÉLECTRIQUES.** Éviter tout contact avec des objets mis à la terre, comme des tuyaux, radiateurs, cuisinières, réfrigérateurs et autres objets du genre.
- **ÉLOIGNER LES ENFANTS.** Tous les visiteurs doivent être tenus à l'écart de l'aire de travail et il faut les empêcher de toucher à l'outil ou au cordon de rallonge.
- **RANGER LES OUTILS INUTILISÉS.** Il faut ranger les outils dans un endroit sec, situé en hauteur ou fermé à clé, hors de la portée des enfants.
- **NE JAMAIS FORCER L'OUTIL.** Afin d'obtenir un rendement sûr et efficace, utiliser l'outil à son rendement nominal.
- **UTILISER L'OUTIL APPROPRIÉ.** Ne jamais exiger d'un petit outil ou d'un accessoire le rendement d'un outil de fabrication plus robuste. Se servir de l'outil selon l'usage prévu (ainsi, ne pas se servir d'une scie circulaire pour couper des branches ou des bûches).
- **PORTER DES VÊTEMENTS APPROPRIÉS; ne pas porter de vêtements amples, de gants ni de bijoux,** et couvrir ou attacher les cheveux longs, car ceux-ci peuvent rester coincés dans les pièces mobiles. Se tenir éloigné des événements puisque ces derniers pourraient camoufler des pièces mobiles.
- **PORTER DES LUNETTES DE SÉCURITÉ.** Porter également un masque respiratoire si le travail de coupe produit de la poussière.
- **MANIPULER LE CORDON AVEC SOIN.** Ne pas transporter l'outil par le cordon ni tirer sur ce dernier pour le débrancher de la prise. Éloigner le cordon des sources de chaleur, des flaques d'huile et des arêtes tranchantes.
- **ASSUJETTIR LA PIÈCE.** Immobiliser la pièce à l'aide de brides ou d'un étau. On peut alors se servir des deux mains pour faire fonctionner l'outil, ce qui est plus sûr.
- **NE PAS DÉPASSER SA PORTÉE.** Toujours demeurer dans une position stable et garder son équilibre.
- **PRENDRE SOIN DES OUTILS.** Conserver les outils propres et affûtés pour qu'ils donnent un rendement supérieur et sûr. Suivre les directives concernant la lubrification et le remplacement des accessoires. Inspecter régulièrement le cordon de l'outil et le faire réparer au besoin à un atelier d'entretien autorisé. Inspecter régulièrement les cordons de rallonge et les remplacer lorsqu'ils sont endommagés. S'assurer que les poignées sont toujours propres, sèches et libres de toute tache d'huile ou de graisse.
- **DÉBRANCHER OU VERROUILLER EN POSITION HORS TENSION LES OUTILS NON UTILISÉS.** Respecter cette mesure lorsqu'on ne se sert pas de l'outil, ou qu'on doit le réparer ou en changer un accessoire (comme une lame, un foret ou un couteau).
- **ENLEVER LES CLÉS DE RÉGLAGE.** Prendre l'habitude de vérifier si les clés de réglage ont été retirées avant de faire démarrer l'outil.
- **ÉVITER LES DÉMARRAGES ACCIDENTELS.** Ne pas laisser le doigt sur l'interrupteur lorsqu'on transporte l'outil. S'assurer que l'interrupteur est à la position hors circuit lorsqu'on branche l'outil.
- **CORDONS DE RALLONGE.** S'assurer que le cordon de rallonge est en bon état. Lorsqu'on se sert d'un cordon de rallonge, s'assurer qu'il est de calibre approprié pour la tension nécessaire au fonctionnement de l'outil. L'utilisation d'un cordon de calibre inférieur occasionne une baisse de tension entraînant une perte de puissance et la surchauffe. Le tableau suivant indique le calibre approprié selon la longueur du cordon et les mentions de la plaque signalétique de l'outil. En cas de doute, utiliser un cordon de calibre

supérieur. Le chiffre indiquant le calibre est inversement proportionnel au calibre du cordon.

Calibre minimal des cordons de rallonge						
Tension		Longueur totale du cordon en pieds				
120 V		0-25	26-50	51-100	101-150	
240 V		0-50	51-100	101-200	201-300	
Intensité (A)		Calibre moyen de fil (AWG)				
Au moins	Au plus					
0	- 6	18	16	16	14	
6	- 10	18	16	14	12	
10	- 12	16	16	14	12	
12	- 16	14	12	Non recommandé		

- **DEMEURER VIGILANT.** Travailler avec vigilance et faire preuve de bon sens. Ne pas se servir de l'outil lorsqu'on est fatigué.
- **CORDONS DE RALLONGE PRÉVUS POUR L'EXTÉRIEUR.** Lorsque l'outil est utilisé à l'extérieur, ne se servir que d'un cordon de rallonge conçu pour l'extérieur et portant la mention appropriée.
- **VÉRIFIER LES PIÈCES ENDOMMAGÉES.** Avant de continuer à utiliser l'outil, il faut vérifier si le protecteur ou toute autre pièce endommagée remplit bien la fonction pour laquelle il a été prévu. Vérifier l'alignement et les attaches des pièces mobiles, le degré d'usure des pièces et leur montage, ainsi que tout autre facteur susceptible de nuire au bon fonctionnement de l'outil. Faire réparer ou remplacer toute pièce ou tout protecteur endommagé dans un centre de service autorisé, sauf si le présent guide fait mention d'un avis contraire. Confier le remplacement de tout interrupteur défectueux à un centre de service autorisé. Ne jamais se servir d'un outil dont l'interrupteur est défectueux.
- **NE PAS UTILISER** les outils portatifs électriques dans des endroits où l'atmosphère contient des vapeurs combustibles ou explosives. Les étincelles que produit le moteur en marche pourraient enflammer ces produits.

⚠ **MISE EN GARDE :** porter un dispositif de protection personnel anti-bruit approprié durant l'utilisation. Sous certaines conditions et pendant toute la durée de l'utilisation, le bruit émanant de ce produit pourrait contribuer à la perte d'audition.

- ⚠ **MISE EN GARDE :** Lorsqu'on perce dans les murs, les planchers ou tout autre endroit où peuvent se trouver des fils sous tension, **NE PAS TOUCHER À TOUT COMPOSANT MÉTALLIQUE SE TROUVANT À L'AVANT DE L'OUTIL.** Ne le saisir que par ses surfaces de prise isolées afin de se protéger des secousses électriques.

⚠ **AVERTISSEMENT :** Certains outils, tels que les sableuses électriques, les scies, les meules, les perceuses ou certains autres outils de construction, peuvent soulever de la poussière contenant des produits chimiques susceptibles d'entraîner le cancer, des malformations congénitales ou pouvant être nocifs pour le système reproductif. Parmi ces produits chimiques, on retrouve :

- le plomb dans les peintures à base de plomb;
- la silice cristalline dans les briques et le ciment et autres produits de maçonnerie;
- l'arsenic et le chrome dans le bois de sciage ayant subi un traitement chimique (CCA).

Le risque associé à de telles expositions peut varier selon la fréquence avec laquelle on effectue ces travaux. Pour réduire l'exposition à de tels produits, il faut travailler dans un endroit bien ventilé et utiliser l'équipement de sécurité approprié tel un masque anti-poussières spécialement conçu pour filtrer les particules microscopiques.

- **Éviter tout contact prolongé avec la poussière soulevée par cet outil ou autres outils électriques. Porter des vêtements de protection et nettoyer les parties exposées du corps avec de l'eau savonneuse.** S'assurer de bien se protéger afin d'éviter d'absorber par la bouche, les yeux ou la peau des produits chimiques nocifs.

CONSERVER CES MESURES À TITRE DE RÉFÉRENCE.

Mesures relatives aux grignoteuses

1. Toujours porter des lunettes de sécurité et des gants protecteurs.
2. Porter des chaussures de sécurité afin de protéger ses pieds des débris métalliques tranchants sur le plancher.
3. Découper le matériau au plus au régime nominal de l'outil. Il faut se rappeler que l'épaisseur du matériau est inversement proportionnelle au calibre de l'outil (ainsi, un outil de calibre 14 coupe des matériaux plus épais qu'un outil de calibre 16). Un outil de calibre 14 accepte un matériau d'une épaisseur de 1,90 mm (0,075 po) et un outil de calibre 16, de 1,52 mm (0,060 po).
4. S'assurer que toutes les vis sont bien serrées. Les vérifier régulièrement.
5. Débrancher l'outil avant de le régler.
6. Ne rien insérer dans les orifices du carter du moteur.
7. S'assurer que l'outil est toujours propre. En nettoyer les débris métalliques et la poussière en y soufflant de l'air.
8. Bien fixer la pièce de métal à découper afin de l'empêcher de bouger pendant les travaux.

INTERRUPTEUR À BASCULE

Pour mettre l'outil en marche, enfoncer l'interrupteur à bascule. Pour l'arrêter, relâcher l'interrupteur à bascule. On peut verrouiller l'interrupteur en mode de fonctionnement en enfonçant le bouton de verrouillage qui se trouve près de l'arrière de l'outil tout en maintenant enfoncé l'interrupteur à bascule. Toujours s'assurer que l'outil ne se trouve pas en mode de fonctionnement continu avant de le brancher. Pour arrêter l'outil lorsque ce dernier est en mode de fonctionnement continu, il suffit d'enfoncer et de relâcher immédiatement l'interrupteur.

Fonctionnement

METTRE L'OUTIL HORS TENSION ET LE DÉBRANCHER AVANT DE LE RÉGLER. Toujours porter des lunettes de sécurité et des gants protecteurs.

Lubrifier la surface du matériau avec de l'huile. La grignoteuse est conçue pour découper du métal plat et légèrement ondulé.

Fig. 2

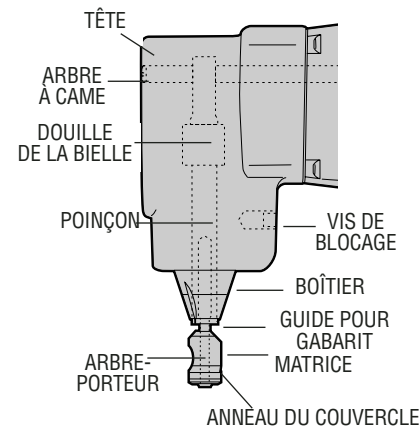
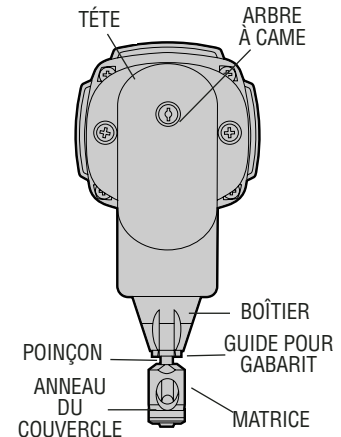


Fig. 3



L'outil est

monté en usine avec le poinçon en position avant pour découper du métal plat et légèrement ondulé.

La tête de l'outil se place dans l'une de trois positions : vers la gauche, vers l'avant et vers la droite (fig. 2). Pour faire tourner la tête, desserrer la vis de blocage. Faire tourner la tête dans la position voulue. **NOTE** : Ne pas faire tourner la tête sur elle-même au risque de modifier l'insertion du poinçon dans la matrice.

Faire tourner le boîtier dans la tête et faire tourner la vis de blocage jusqu'à ce que la vis s'installe dans le creux du patin. Bien serrer la vis de blocage. Vérifier régulièrement si la vis est bien serrée.

La tête de la grignoteuse est conçue pour s'insérer dans un trou d'un diamètre de 19 mm (3/4 po) afin de pouvoir découper au milieu de la pièce. Le grignotage se fait dans un sens ou dans l'autre dans le trou. Il y a un indicateur de la largeur du poinçon à l'avant du boîtier

permettant à l'utilisateur de pouvoir suivre une ligne (fig. 3).

Le dessous du boîtier comporte un guide pour gabarit de 13 mm (0,51 po) de diamètre afin de pouvoir utiliser des gabarits. L'épaisseur du gabarit et du matériau doit se situer entre 5 et 6,5 mm (13/64 po et 1/4 po). La forme du gabarit doit se trouver à 2,5 mm (1 po) de la forme à grignoter. Il faut guider l'outil de sorte que le diamètre extérieur (13 mm ou 0,51 po) du boîtier repose contre le gabarit.

REMPACEMENT DU POINÇON

Ne jamais utiliser un poinçon émoussé. On peut affûter les poinçons jusqu'à une longueur minimale de 69 mm (2,72 po). Des poinçons trop courts ne servent pas. Pour enlever le poinçon, desserrer la vis de blocage de la tête d'environ 4 à 5 tours (fig. 2). Faire glisser le boîtier hors de la tête. Dévisser le poinçon de la douille de la bielle. Il faut affûter avec soin les poinçons à l'aide d'une meuleuse d'établi munie d'une meule à fine granulométrie. Ne pas trop raccourcir le poinçon. Un poinçon trop court ne s'insère pas bien dans la matrice et il faut le remplacer. La face meulée doit être perpendiculaire à l'axe du poinçon. Après le meulage, ébarber soigneusement les rebords affûtés. Ne pas en arrondir les coins.

REMONTAGE DE LA TÊTE DE LA GRIGNOTEUSE

Visser le poinçon à fond dans la douille de la bielle. Faire glisser le boîtier sur l'extrémité du poinçon et dans la tête. Faire tourner la tête dans la position de coupe voulue. Bien serrer la vis de blocage. Enfin, vérifier l'insertion du poinçon.

VÉRIFICATION DE L'INSERTION DU POINÇON

Puisque la longueur du poinçon est différente, il faut peut-être régler l'insertion du poinçon. La vérifier en plaçant un tournevis à lame plate dans la fente de l'arbre à came et en faisant tourner l'arbre (fig. 2). Le poinçon devrait s'affaisser de 0,5 mm à 1,15 mm (de 0,02 po à 0,06 po) dans la matrice à la position la plus basse de la course. Lorsque l'affaissement du poinçon dans la matrice est trop grand, il en résulte une perte de rendement (le bout du poinçon ne se dégage

pas suffisamment de la matrice au plus haut de la course).

RÉGLAGE DE L'INSERTION DU POINÇON

Lorsqu'il faut régler l'insertion du poinçon, desserrer la vis de blocage et faire tourner le patin dans un sens horaire (le poinçon enfoncé dans la matrice) ou dans le sens antihoraire (le poinçon hors de la matrice). Bien serrer la vis de blocage. Faire tourner l'arbre à came à l'aide du tournevis dans la fente afin de vérifier l'insertion du poinçon (en abaissant complètement le poinçon). Répéter au besoin.

REMPACEMENT DE LA MATRICE

Lorsque la matrice est émoussée, la remplacer. Remplacer l'ancienne matrice en poussant l'anneau du couvercle vers le haut, hors de la rainure. Se servir d'un poinçon de glissement pour faire sortir la tige de retenue du dessous de l'anneau du couvercle. Retirer la matrice de l'arbre-porteur. Installer une nouvelle matrice sur l'arbre-porteur. Aligner le trou de la matrice sur la rainure de l'arbre-porteur. Installer la tige. Enclencher l'anneau du couvercle dans la rainure du dessus de la matrice.

Entretien

DÉBRANCHER L'OUTIL AVANT D'EFFECTUER TOUT TRAVAIL D'ENTRETIEN. S'assurer que le poinçon et la matrice sont affûtés. Lorsque l'un d'eux est émoussé, l'affûter ou le remplacer. S'assurer que l'outil est propre. Utiliser régulièrement de l'air pour en souffler les saletés. Ne jamais se servir de solvants ni de produits chimiques puissants pour nettoyer les composants non métalliques de l'outil. Utiliser seulement un chiffon propre et sec. Tremper régulièrement le patin dans de l'huile. Il s'agit d'un outil de précision. S'en servir avec soin et le ranger dans un endroit protégé.

Nettoyage et lubrification

Nettoyer l'outil seulement à l'aide d'un savon doux et d'un linge humide. Ne laisser aucun liquide s'infiltrer dans l'outil et ne jamais immerger l'outil.

L'outil est monté sur des roulements autolubrifiants qui ne requièrent pas de lubrification périodique. Dans le cas peu probable où l'outil

nécessiterait de l'entretien, la liste des centres de service se trouve dans l'emballage.

Balais du moteur

Il faut confier le remplacement des balais au personnel d'un centre de service d'entretien autorisé.

Important

Pour assurer la SÉCURITÉ D'EMPLOI et la FIABILITÉ de l'outil, n'en confier la réparation, l'entretien et les rajustements (y compris l'inspection et le remplacement des balais) qu'à un centre de service ou à un atelier d'entretien autorisé n'utilisant que des pièces de rechange identiques.

Accessoires

Les accessoires recommandés pour cet outil sont vendus chez les détaillants ou au centre de service de la région. Pour trouver un accessoire, communiquer avec le détaillant ou le centre de service de la région.

⚠ **MISE EN GARDE** : L'utilisation de tout autre accessoire non recommandé pour l'outil peut être dangereuse.

Garantie complète

Les outils industriels de service intensif D_EWALT sont garantis pendant un an à partir de la date d'achat. Toute pièce d'un outil D_EWALT qui s'avérerait défectueuse en raison d'un vice de matière ou de fabrication sera réparée sans frais. Pour obtenir de plus amples renseignements sur les réparations couvertes par la garantie, composer le 1 (800) 4-D_EWALT. Il suffit de retourner l'outil complet à un centre de service D_EWALT. La présente garantie ne couvre pas les accessoires ni les avaries dues aux réparations tentées ou effectuées par des tiers. Les modalités de la présente garantie donnent des droits légaux spécifiques. L'utilisateur peut également se prévaloir d'autres droits selon l'état ou la province qu'il habite.

En outre, la garantie suivante couvre les outils D_EWALT.

**GARANTIE DE SATISFACTION DE 30 JOURS OU ARGENT
REMIS**

Si, pour quelque raison que ce soit, l'outil ne donne pas entière satisfaction, il suffit de le retourner où il a été acheté dans les 30 jours suivant la date d'achat afin d'obtenir un remboursement intégral. Prière de retourner l'outil complet port payé. Une preuve d'achat peut être requise.

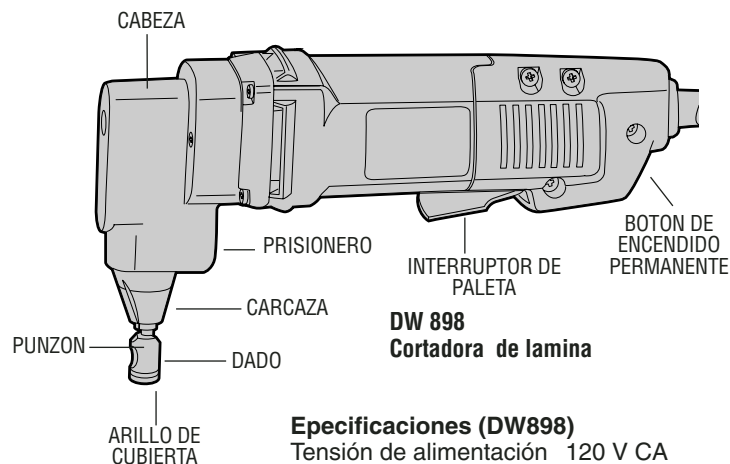
REMPACEMENT GRATUIT DE L'ÉTIQUETTE

Si vos étiquettes d'avertissement deviennent illisibles ou sont manquantes, composez le 1-800-4-D_EWALT pour obtenir une étiquette de remplacement gratuite.

Imported by / Importé par
Black & Decker Canada Inc.
100 Central Ave.
Brockville (Ontario) K6V 5W6

Voir la rubrique "Outils électriques"
des Pages Jaunes
pour le service et les ventes.





DW 898
Cortadora de lamina

Epecificaciones (DW898)

Tensión de alimentación 120 V CA
Potencia nominal: 225 W
Frecuencia de operación: 60 Hz
Consumo de corriente: 6,5 A

D_EWALT...PARA TRABAJOS PESADOS

Las herramientas industriales D_EWALT de alto rendimiento se han fabricado para las más duras condiciones industriales y de construcción. El diseño de cada una de las herramientas de esta línea desde taladros hasta lijadoras y esmeriladoras es resultado de su empleo bajo rigurosas condiciones en centros de trabajo e instalaciones industriales. Cada instrumento se ha fabricado con precisión extrema bajo sistemas avanzados de manufactura y rígido control de calidad. Cada herramienta se verifica concienzudamente antes de dejar la fábrica, para asegurarse de que satisface sus estándares de durabilidad, confiabilidad y potencia.

Instrucciones importantes de seguridad

⚠ ADVERTENCIA: Es indispensable sujetarse a las precauciones básicas de seguridad, con la finalidad de reducir el peligro de incendio, choque eléctrico y lesiones personales, en todas las ocasiones en que se utilicen herramientas eléctricas. Entre estas precauciones se incluyen la siguientes:

LEA TODAS LAS INSTRUCCIONES

Doble aislamiento

Las herramientas DOBLEMENTE aisladas se han elaborado de manera integral con dos capas separadas de aislamiento eléctrico o una capa doble de aislamiento entre usted y el sistema eléctrico que contienen. Las herramientas construidas con este sistema de aislamiento no requieren conectarse a tierra. Como resultado su herramienta está equipada con una clavija de dos patas que le permite emplear cordones de extensión sin preocuparse por tener una conexión a tierra.

NOTA: El doble aislamiento no substituye a las precauciones normales de seguridad cuando se opera esta herramienta. La finalidad de este sistema de aislamiento es ofrecer a usted protección añadida contra lesiones resultantes de fallas en el aislamiento eléctrico interno de la herramienta.

⚠ PRECAUCION: UTILICE SOLAMENTE REFACCIONES ORIGINALES CUANDO HAGA SERVICIO a cualquier herramienta. Repare o reemplace los cordones eléctricos dañados.

Clavijas polarizadas

Se emplean clavijas polarizadas (con una pata más ancha que la otra) para reducir los riesgos de choque eléctrico. Cuando el cordón eléctrico cuente con este tipo de clavija, ajustará en un contacto polarizado solamente de una manera. Si la clavija no ajusta completamente en su contacto, invírtala. Si aún así no ajusta, llame

a un electricista calificado para que le instale un contacto polarizado apropiado. No modifique o haga cambios en la clavija por ningún motivo.

Instrucciones de seguridad para todas las herramientas

- **CONSERVE LIMPIA LA ZONA DE TRABAJO.** Las superficies y los bancos con objetos acumulados en desorden propician los accidentes.
- **OTORQUE PRIORIDAD A LA ZONA DE TRABAJO.** No deje las herramientas eléctricas expuestas a la lluvia. No las utilice en lugares inundados o mojados. Conserve bien iluminada la zona de trabajo. No utilice la herramienta en presencia de líquidos o gases inflamables.
- **PROTEJASE CONTRA EL CHOQUE ELECTRICO.** Evite el contacto corporal con superficies aterrizadas, por ejemplo, tuberías, radiadores, antenas y gabinetes de refrigeración.
- **CONSERVE APARTADOS A LOS NIÑOS.** No permita que los visitantes toquen las herramientas o los cables de extensión. Todos los visitantes deben estar alejados de la zona de trabajo.
- **GUARDE LAS HERRAMIENTAS QUE NO EMPLEE.** Las herramientas que no se utilizan deben guardarse en un lugar seco y elevado o bajo llave — fuera del alcance de los niños.
- **NO FUERCE LA HERRAMIENTA.** Esta cumplirá su función mejor y con más seguridad a la velocidad y la presión para las que se diseñó.
- **EMPLEE LA HERRAMIENTA ADECUADA.** No fuerce a una herramienta pequeña o a sus dispositivos de montaje en un trabajo de tipo pesado. No emplee la herramienta en una tarea para la que no se diseñó.
- **VISTASE ADECUADAMENTE.** No utilice ropa floja o joyas. Cubra su cabello. Conserve su cabello, ropas y guantes alejados de las piezas móviles. Las piezas de vestir flojas, las joyas y el cabello largo pueden resultar atrapados por las piezas móviles. Las rejillas de ventilación cubren partes móviles y también deben evitarse.

- **COLOQUESE ANTEOJOS DE SEGURIDAD.** Póngase también una mascarilla contra el polvo si lo produce la operación que va a efectuar.
- **TENGA CUIDADO CON EL CORDON ELECTRICO.** Nunca levante la herramienta tomándola por el cordón, ni tire de éste para desconectarlo del enchufe. Apártelo del calor y los objetos calientes, las substancias grasosas y los bordes cortantes.
- **ASEGURE LOS OBJETOS SOBRE LOS QUE TRABAJE.** Utilice prensas o tornillos de banco para sujetar los objetos sobre los que va a trabajar. Esto ofrece mayor seguridad que sujetar los objetos con la mano, y además deja libres ambas manos para operar la herramienta.
- **CONSERVE EL EQUILIBRIO.** Conserve en todo momento bien apoyados los pies, lo mismo que el equilibrio.
- **CUIDE SUS HERRAMIENTAS.** Conserve sus herramientas afiladas y limpias para que funcionen mejor y con mayor seguridad. Siga las instrucciones para lubricación y cambio de accesorios de su unidad. Revise periódicamente el cordón eléctrico y hágalo reparar o reemplazar por un centro de servicio si está dañado. Cambie los cordones de extensión si están dañados. Conserve las empuñaduras secas, limpias y libres de aceite y grasa.
- **DESCONECTE Y APAGUE LAS HERRAMIENTAS** cuando no las use, antes de darles servicio y cuando cambie accesorios, tales como discos, brocas y otros dispositivos de corte.
- **RETIRE LAS LLAVES DE AJUSTE Y DE TUERCAS.** Adquiera el hábito de asegurarse que se han retirado las llaves de ajuste de las herramientas antes de accionarlas.
- **EVITE QUE LA HERRAMIENTA SE ACCIONE ACCIDENTALMENTE.** Nunca sostenga una herramienta que está conectada con el dedo en el interruptor. Asegúrese que el interruptor está en posición de “apagado” antes de conectar la unidad.
- **CORDONES DE EXTENSION.** Asegúrese que su cordón de extensión esté en buenas condiciones. Cuando utilice un cordón

de extensión, asegúrese que tenga el calibre suficiente para soportar la corriente necesaria para su herramienta. Un cordón eléctrico con calibre insuficiente causará una caída en el voltaje de la línea, resultando en pérdida de potencia y sobrecalentamiento. La tabla siguiente ilustra el calibre correcto que debe utilizarse de conformidad con la longitud del cordón y el amperaje descrito por la placa de identificación. Si tiene alguna duda, utilice el cable con el calibre siguiente (mayor). Mientras más chico sea el número, mayor será su calibre.

Calibre mínimo para cordones de extensión					
Volts	Longitud total del cordón en metro				
120V	0-7.62	7.63-15.24	15.25-30.48	30.49-45.72	
240V	0-15.24	15.25-30.48	30.49-60.96	60.97-91.44	
AMPERAJE					
Más de	No más de	Calbre del cordón			
0	- 6	18	16	16	14
6	- 10	18	16	16	14
10	- 12	16	16	16	14
12	- 16	14	12	12	No Recomendado

- **CORDONES DE EXTENSION PARA INTEMPERIE.** Cuando opere su herramienta a la intemperie, utilice únicamente cordones de extensión diseñados y marcados para este fin.
- **NO SE DISTRAIGA.** Concéntrese en lo que está haciendo. Recorra al sentido común. No opere ninguna herramienta si está fatigado.
- **VERIFIQUE LAS PARTES DAÑADAS.** Antes de seguir empleando cualquier herramienta, es indispensable verificar con mucho cuidado que las guardas u otras partes dañadas puedan operar de la manera adecuada para cumplir con su función. Verifique la alineación de las partes móviles, la firmeza con que deben encontrarse sujetas a sus montaduras, las partes rotas, las propias montaduras y cualesquiera otros detalles que pudieran afectar la operación de la herramienta. Las guardas y otras partes que se encuentren dañadas deberán cambiarse o repararse en un centro de servicio autorizado, a menos que se diga otra cosa en

el manual del usuario. Haga que se cambien los interruptores dañados en un centro de servicio autorizado. No emplee ninguna herramienta que tenga estropeado o inutilizado el interruptor.

⚠ **PRECAUCIÓN:** Utilice la protección auditiva adecuada durante el uso de esta unidad. Bajo ciertas condiciones y duración de uso, el ruido producido por este producto puede contribuir a la pérdida auditiva.

⚠ **ADVERTENCIA :** Parte del polvo creado al lijar, aserruchar, moler o perforar con máquina, así como al realizar otras actividades de la construcción, contiene sustancias químicas que se sabe producen cáncer, defectos congénitos u otras afecciones reproductivas. Algunos ejemplos de esas sustancias químicas son:

- plomo de pinturas a base de plomo,
- sílice cristalizado de ladrillos y cemento y otros productos de albañilería, y
- arsénico y cromo de la madera químicamente tratada (CCA).

El riesgo al contacto con estas sustancias varía, según la frecuencia en que se haga este tipo de trabajo. Para reducir la exposición a esas sustancias químicas: trabaje en un área bien ventilada, y trabaje con equipos de seguridad aprobados, tales como máscaras contra el polvo especialmente diseñadas para filtrar las partículas microscópicas.

- **Evite el contacto prolongado con polvos originados por lijar, aserrar, esmerilar, taladrar y otras actividades constructivas. Vista ropas protectoras y lave las áreas expuestas con agua y jabón.** Permitir que el polvo se introduzca en su boca, ojos, o dejarlo sobre la piel promueve la absorción de químicos dañinos.

Reglas de operación para cortadoras de lámina

1. Utilice siempre anteojos de seguridad así como guantes protectores.
2. Use calzado de seguridad para proteger sus pies de rebabas metálicas afiladas que pudieran caer al suelo.
3. Corte material hasta a por debajo de la capacidad especificada.

Recuerde que el espesor del material aumenta mientras que el número de calibre disminuye (el calibre 14 tiene mayor espesor que el calibre 16). El espesor del calibre 14 es de 1,90 mm (0,075"); el espesor del calibre 16 es de 1,52 mm (0,060").

4. Conserve apretados todos los tornillos. Revise periódicamente que no se hayan aflojado.
5. Desconecte la herramienta antes de efectuar cualquier ajuste.
6. No ponga nada dentro de la abertura de la carcasa del motor.
7. Conserve limpia la herramienta. Sopletee cualquier residuo metálico de la herramienta, así como la mugre.
8. Asegure con firmeza la pieza de metal que vaya a cortar para evitar movimientos durante la operación.

INTERRUPTOR DE PALETA

Oprima el interruptor de paleta para encender la unidad. Para apagarla, libere el interruptor. El interruptor puede asegurarse para

Figure 2

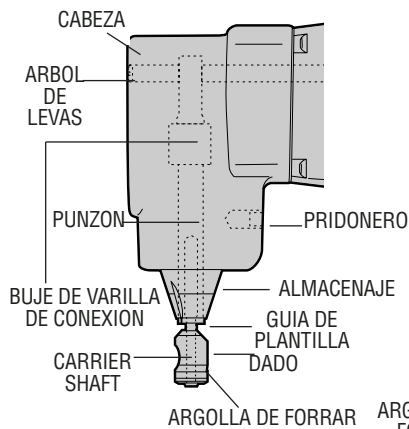
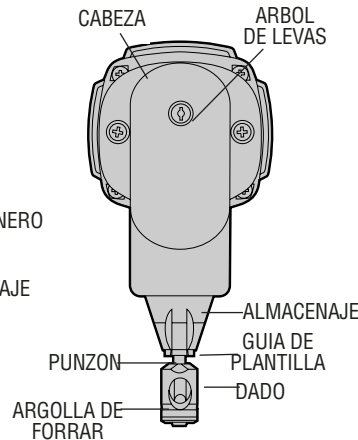


Figure 3



operación continua accionando el botón que se encuentra cerca de la parte posterior de la herramienta al mismo tiempo que se oprime la paleta. Asegúrese siempre que la herramienta no esté en posición de encendido permanente antes de conectarla. Para apagar la herramienta cuando el interruptor se encuentra en esta posición, oprima y libere la paleta una vez.

Operación

APAGUE Y DESCONECTE LA HERRAMIENTA DE LA TOMA DE CORRIENTE ANTES DE HACER CUALQUIER AJUSTE. Utilice siempre gafas de seguridad y guantes protectores.

Lubrique la superficie del material con aceite. La cortadora está diseñada para trabajar con metal plano y corrugado con poca profundidad.

La herramienta se ensambla en la fábrica con el punzón orientado hacia adelante para cortar metal plano y corrugado con poca profundidad.

La cabeza puede alinearse en tres posiciones: a la izquierda, hacia adelante y a la derecha (observe la figura 2). Afloje el prisionero para girar la cabeza. Gire la cabeza hacia la dirección que desee. **NOTA:** No gire la cabeza en un círculo completo ya que esto cambiará la alineación del punzón y el dado.

Gire la carcasa de la cabeza y atornille el prisionero hasta sentir que se acomoda en una cavidad en la zapata. Apriete el prisionero con firmeza. Revise periódicamente que este tornillo esté apretado.

La cabeza de la cortadora está diseñada para acoplarse a través de un orificio de 19 mm (3/4") para iniciar un corte a la mitad de una pieza. El corte se puede hacer en cualquier dirección a partir de este orificio. Al frente de la carcasa se encuentra un indicador de ancho de punzón que permite que el usuario siga una línea de cerca (figura 3).

La parte inferior de la carcasa tiene una guía de 13 mm (0,51") de diámetro que le permite el empleo de plantillas. El espesor de la

plantilla debe ser tal que el espesor total de ésta junto con la pieza de trabajo sea de 5 a 6,5 mm (13/64" a 1/"). El contorno de la plantilla debe estar a 2,5 mm (0,1") del contorno por recortar. Debe guiarse la herramienta de manera que el diámetro exterior de la carcaza (13 mm o 0,51") descansa en la plantilla.

CAMBIO DE PUNZONES

Nunca corte con un punzón sin filo. Los punzones pueden afilarse hasta que lleguen a una longitud de 69 mm (2,72"). Cuando son más cortos son inútiles. Para sacar el punzón, afloje el prisionero aproximadamente de 4 a 5 vueltas (observe la figura 2). Deslice la carcaza de la cabeza. Destornille el punzón del buje conector de varilla. El punzón puede afilarse con cuidado en un esmeril de banco con piedra de grano fino. Tenga cuidado de no permitir que el punzón llegue a una longitud menor a la mínima. Los punzones más cortos no alcanzarán debidamente el dado y deberán reemplazarse. La cara del esmeril deberá estar a escuadra con el eje del punzón. Después de esmerilar, asiente cuidadosamente los filos para eliminar rebabas. No redondee las esquinas.

ENSAMBLAJE DE LA CABEZA DE LA CORTADORA

Atornille el punzón completamente dentro del buje de conexión de varilla. Deslice la carcaza sobre el extremo del punzón y hacia dentro de la cabeza. Gire la cabeza hacia la orientación de corte que desee. Apriete el prisionero y a continuación, revise el acoplamiento del punzón con el dado.

REVISION DEL ACOPLAMIENTO DEL PUNZON

Ya que la longitud del punzón ha cambiado, puede requerirse ajustar el acoplamiento. Revise el acoplamiento del punzón colocando un destornillador de punta plana en la ranura del eje de la leva (observe la figura 2). El punzón debe penetrar de 0,5 a 1,15 mm (0,2" a 0,6") dentro del dado en la posición de desplazamiento completo. Demasiada penetración en el dado puede originar pérdida de capacidad (la parte inferior del punzón no despejará suficientemente el dado en la carrera hacia arriba).

PARA REPARACION Y SERVICIO DE SUS HERRAMIENTAS ELECTRICAS FAVOR DE DIRIGIRSE AL CENTRO DE SERVICIO MAS CERCANO

CULIACAN Av. Nicolas Bravo #1063 Sur	(91 671) 242 10
GAUDALAJARA Av. La Paz #1779	(91 3) 826 69 78.
MEXICO Eje Lázaro Cárdenas No. 18 Local D, Col. Obrera	588-9377
MERIDA Calle 63 #459-A	(91 99) 23 54 90
MONTERREY Av. Francisco I. Madero Pte. 1820-A	(91 83) 72 11 25
PUEBLA 17 Norte #205	(91 22) 46 37 14
QUERETARO Av. Madero 139 Pte.	(91 42) 14 16 60
SAN LOUIS POTOSI Pedro Moreno #100 Centro	(91 48) 14 25 67
TORREON Blvd. Independencia, 96 pte.	(91 17) 16 52 65
VERACRUZ Prolongación Diaz Miron #4280	(91 29) 21 70 16
VILLAHERMOSA Constitucion 516-A	(91 93) 12 53 17

PARA OTRAS LOCALIDADES LLAME AL: 326 7100

Español

Accesorios

Dispone usted de los accesorios para su herramienta por un cargo adicional con su distribuidor local autorizado. Se incluye una lista completa de los centros de servicio con su herramienta. Si necesita ayuda para encontrar cualquier accesorio, por favor comuníquese con DEWALT Industrial Tool Co., 701 East Joppa Road, Baltimore, MD 21286 o llame al teléfono 1-800-732-4441.

Importante

Para garantizar la SEGURIDAD y la CONFIABILIDAD, deberán hacerse reparaciones, mantenimiento y ajustes de esta herramienta en los centros autorizados de servicio DEWALT u otras organizaciones autorizadas. Estas organizaciones prestan servicio a las herramientas DEWALT y emplean siempre refacciones legítimas DEWALT.

Póliza de Garantía

IDENTIFICACIÓN DEL PRODUCTO:

Sello o firma del Distribuidor.

Nombre del producto: _____ Mod./Cat.: _____

Marca: _____ Núm. de serie: _____

(Datos para ser llenados por el distribuidor)

Fecha de compra y/o entrega del producto: _____

Nombre y domicilio del distribuidor donde se adquirió el producto:

Este producto está garantizado por un año a partir de la fecha de entrega, contra cualquier defecto en su funcionamiento, así como en materiales y mano de obra empleados para su fabricación. Nuestra garantía incluye la reparación o reposición del producto y/o componentes sin cargo alguno para el cliente, incluyendo mano de obra, así como los gastos de transportación razonablemente erogados derivados del cumplimiento de este certificado.

Para hacer efectiva esta garantía deberá presentar su herramienta y esta póliza sellada por el establecimiento comercial donde se adquirió el producto, de no contar con ésta, bastará la factura de compra.

EXCEPCIONES.

Esta garantía no será válida en los siguientes casos:

- Cuando el producto se hubiese utilizado en condiciones distintas a las normales;
- Cuando el producto no hubiese sido operado de acuerdo con el instructivo de uso que se acompaña;
- Cuando el producto hubiese sido alterado o reparado por personas distintas a las enlistadas al final de este certificado.

Anexo encontrará una relación de sucursales de servicio de fábrica, centros de servicio autorizados y franquiciados en la República Mexicana, donde podrá hacer efectiva su garantía y adquirir partes, refacciones y accesorios originales.

Garantía Completa

Las herramientas industriales DEWALT están garantizadas durante un año a partir de la fecha de compra. Repararemos, sin cargos, cualquier falla debida a material o mano de obra defectuosos. Por favor regrese la unidad completa, con el transporte pagado, a cualquier Centro de Servicio para Herramientas Industriales de DEWALT o a las estaciones de servicio autorizado enlistadas bajo "Herramientas Eléctricas" en la Sección Amarilla. Esta garantía no se aplica a los accesorios ni a daños causados por reparaciones efectuadas por terceras personas. Esta garantía le otorga derechos legales específicos, y usted puede tener otros derechos que pueden variar de estado a estado.

En adición a la garantía, las herramientas DEWALT están amparadas por nuestra:

GARANTÍA DE SATISFACCIÓN SIN RIESGO POR 30 DÍAS

Si usted no se encuentra completamente satisfecho con el desempeño

de su herramienta industrial DeWALT, sencillamente devuélvala a los vendedores participantes durante los primeros 30 días después de la fecha de compra para que le efectúen un reembolso completo. Por favor regrese la unidad completa, con el transporte pagado. Se puede requerir prueba de compra.

REEMPLAZO DE LAS ETIQUETAS DE ADVERTENCIA GRATUITO: Si sus etiquetas de advertencia se tornan ilegibles o se pierden, llame al 1-800-4-DeWALT para que se las reemplacen sin cost.

IMPORTADO: DeWALT S.A. DE C.V.
BOSQUES DE CIDROS ACCESO RADIATAS NO. 42
COL. BOSQUES DE LAS LOMAS.
05120 MÉXICO, D.F.
TEL. 326-7100

Para servicio y ventas consulte
"HERRAMIENTAS ELECTRICAS"
en la sección amarilla.

DeWALT Industrial Tool Co., 701 East Joppa Road, Baltimore, MD 21286
DW898-220

Printed in USA (APR02-CD1) Form No. 384327-00
Copyright © 2002

The following are trademarks for one or more DeWALT power tools: the yellow and black color scheme; the “D” shaped air intake grill; the array of pyramids on the handgrip; the kit box configuration; and the array of lozenge-shaped humps on the surface of the tool.