

# DEWALT®



**Instruction Manual  
Guide D'utilisation  
Manual de instrucciones**

## **DWE46125**

**5" (125 mm) Cutting Shroud  
Coiffe de coupe 125 mm (5 po)  
Cubierta de Corte de 125 mm (5")**

## **DWE46127**

**7" (180 mm) Cutting Shroud  
Coiffe de coupe 180 mm (7 po)  
Cubierta de Corte de 180 mm (7")**

**[www.DEWALT.com](http://www.DEWALT.com)**

**If you have questions or comments, contact us.  
Pour toute question ou tout commentaire, nous contacter.  
Si tiene dudas o comentarios, contáctenos.**

**1-800-4-DEWALT**

---

English (***original instructions***)

1

---

Français (*traduction de la notice d'instructions originale*)

10

---

Español (*traducido de las instrucciones originales*)

20

---

## Definitions: Safety Alert Symbols and Words

This instruction manual uses the following safety alert symbols and words to alert you to hazardous situations and your risk of personal injury or property damage.





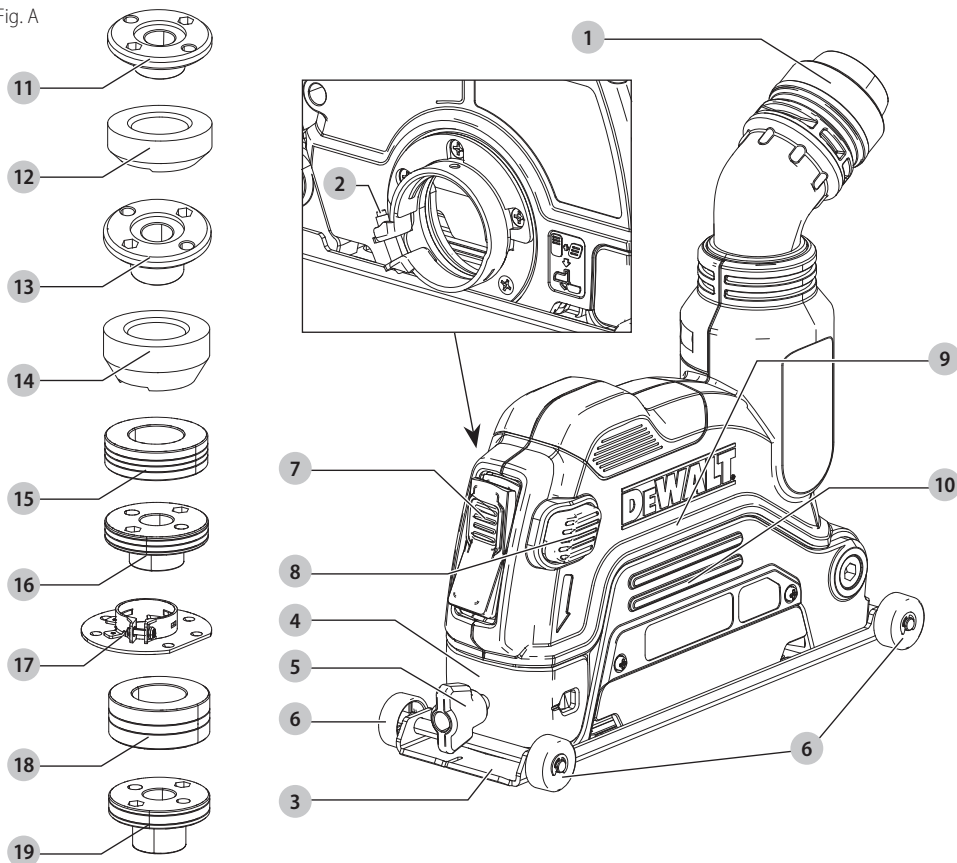
-  **DANGER:** Indicates an imminently hazardous situation which, if not avoided, **will** result in **death or serious injury**.
-  **WARNING:** Indicates a potentially hazardous situation which, if not avoided, **could** result in **death or serious injury**.
-  **CAUTION:** Indicates a potentially hazardous situation which, if not avoided, **may** result in **minor or moderate injury**.
-  (Used without word) Indicates a safety related message.
- NOTICE:** Indicates a practice **not related to personal injury** which, if not avoided, **may** result in **property damage**.

Fig. A



- |                                       |   |                                       |
|---------------------------------------|---|---------------------------------------|
| <b>1</b> Swiveling dust port          | <b>8</b> Side guard button              | <b>13</b> Long locking flange (black) |
| <b>2</b> Collar screw                 | <b>9</b> Upper guard                    | <b>14</b> Long backing flange (black) |
| <b>3</b> Metal base                   | <b>10</b> Lower guard                   | <b>15</b> Inner spacer (DCG460 only)  |
| <b>4</b> Depth of cut adjustor        | <b>11</b> Short locking flange (silver) | <b>16</b> Outer flange (DCG460 only)  |
| <b>5</b> Depth of cut adjustment knob | (DWE46125 only)                         | <b>17</b> Collar (DCG440 only)        |
| <b>6</b> Removable guiding wheels     | <b>12</b> Short backing flange (silver) | <b>18</b> Inner spacer (DCG440 only)  |
| <b>7</b> Front guard button           | (DWE46125 only)                         | <b>19</b> Outer flange (DCG440 only)  |



**WARNING:** Read all safety warnings and all instructions. Failure to follow the warnings and instructions may result in electric shock, fire and/or serious injury.



**WARNING:** To reduce the risk of injury, read the instruction manual.

If you have any questions or comments about this or any DeWALT tool, call us toll free at: 1-800-4-DeWALT (1-800-433-9258).

## GENERAL POWER TOOL SAFETY

### WARNINGS



**WARNING:** Read all safety warnings, instructions, illustrations and specifications provided with this power tool. Failure to follow all instructions listed below may result in electric shock, fire and/or serious injury.



**WARNING:** For your own safety, read instruction manual for the grinder before using any accessory. Failure to heed these warnings may result in personal injury and serious damage to the tool and the accessory.

### SAVE ALL WARNINGS AND INSTRUCTIONS FOR FUTURE REFERENCE.

The term "power tool" in the warnings refers to your mains-operated (corded) power tool or battery-operated (cordless) power tool.

#### 1) Work Area Safety

- Keep work area clean and well lit.** Cluttered or dark areas invite accidents.
- Do not operate power tools in explosive atmospheres, such as in the presence of flammable liquids, gases or dust.** Power tools create sparks which may ignite the dust or fumes.
- Keep children and bystanders away while operating a power tool.** Distractions can cause you to lose control.

#### 2) Electrical Safety

- Power tool plugs must match the outlet. Never modify the plug in any way. Do not use any adapter plugs with earthed (grounded) power tools.** Unmodified plugs and matching outlets will reduce risk of electric shock.
- Avoid body contact with earthed or grounded surfaces, such as pipes, radiators, ranges and refrigerators.** There is an increased risk of electric shock if your body is earthed or grounded.
- Do not expose power tools to rain or wet conditions.** Water entering a power tool will increase the risk of electric shock.
- Do not abuse the cord. Never use the cord for carrying, pulling or unplugging the power tool. Keep cord away from heat, oil, sharp edges or moving parts.** Damaged or entangled cords increase the risk of electric shock.

- When operating a power tool outdoors, use an extension cord suitable for outdoor use.** Use of a cord suitable for outdoor use reduces the risk of electric shock.
- If operating a power tool in a damp location is unavoidable, use a ground fault circuit interrupter (GFCI) protected supply.** Use of a GFCI reduces the risk of electric shock.

#### 3) Personal Safety

- Stay alert, watch what you are doing and use common sense when operating a power tool. Do not use a power tool while you are tired or under the influence of drugs, alcohol or medication.** A moment of inattention while operating power tools may result in serious personal injury.
- Use personal protective equipment. Always wear eye protection.** Protective equipment such as dust mask, non-skid safety shoes, hard hat, or hearing protection used for appropriate conditions will reduce personal injuries.
- Prevent unintentional starting. Ensure the switch is in the off-position before connecting to power source and/or battery pack, picking up or carrying the tool.** Carrying power tools with your finger on the switch or energizing power tools that have the switch on invites accidents.
- Remove any adjusting key or wrench before turning the power tool on.** A wrench or a key left attached to a rotating part of the power tool may result in personal injury.
- Do not overreach. Keep proper footing and balance at all times.** This enables better control of the power tool in unexpected situations.
- Dress properly. Do not wear loose clothing or jewelry. Keep your hair, clothing and gloves away from moving parts.** Loose clothes, jewelry or long hair can be caught in moving parts.
- If devices are provided for the connection of dust extraction and collection facilities, ensure these are connected and properly used.** Use of dust collection can reduce dust-related hazards.
- Do not let familiarity gained from frequent use of tools allow you to become complacent and ignore tool safety principles.** A careless action can cause severe injury within a fraction of a second.

#### 4) Power Tool Use and Care

- Do not force the power tool. Use the correct power tool for your application.** The correct power tool will do the job better and safer at the rate for which it was designed.
- Do not use the power tool if the switch does not turn it on and off.** Any power tool that cannot be controlled with the switch is dangerous and must be repaired.
- Disconnect the plug from the power source and/or remove the battery pack, if detachable, from the power tool before making any adjustments, changing accessories, or storing power tools.** Such preventive safety measures reduce the risk of starting the power tool accidentally.

- d) **Store idle power tools out of the reach of children and do not allow persons unfamiliar with the power tool or these instructions to operate the power tool.** Power tools are dangerous in the hands of untrained users.
- e) **Maintain power tools and accessories. Check for misalignment or binding of moving parts, breakage of parts and any other condition that may affect the power tool's operation. If damaged, have the power tool repaired before use.** Many accidents are caused by poorly maintained power tools.
- f) **Keep cutting tools sharp and clean.** Properly maintained cutting tools with sharp cutting edges are less likely to bind and are easier to control.
- g) **Use the power tool, accessories and tool bits etc. in accordance with these instructions, taking into account the working conditions and the work to be performed.** Use of the power tool for operations different from those intended could result in a hazardous situation.
- h) **Keep handles and grasping surfaces dry, clean and free from oil and grease.** Slippery handles and grasping surfaces do not allow for safe handling and control of the tool in unexpected situations.

## 5) Service

- a) **Have your power tool serviced by a qualified repair person using only identical replacement parts.** This will ensure that the safety of the power tool is maintained.

## Additional Safety Rules for Tuckpointing

- **Do not use accessories which are not specifically designed and recommended by the tool manufacturer.** Just because the accessory can be attached to your power tool, it does not assure safe operation.
- **The rated speed of the accessory must be at least equal to the maximum speed marked on the power tool.** Accessories running faster than their rated speed can break and fly apart.
- **The outside diameter and the thickness of your accessory must be within the capacity rating of your power tool.** Incorrectly sized accessories cannot be adequately guarded or controlled.
- **The arbor size of wheels, flanges, backing pads or any other accessory must properly fit the spindle of the power tool.** Accessories with arbor holes that do not match the mounting hardware of the power tool will run out of balance, vibrate excessively and may cause loss of control.
- **The shroud must be securely attached to the power tool and positioned for maximum safety, so the least amount of wheel is exposed towards the operator.** The shroud helps to protect operator from broken wheel fragments and accidental contact with wheel.
- **Hold power tool by insulated gripping surfaces only, when performing an operation where the cutting accessory may contact hidden wiring or its own**

**cord.** Cutting accessory contacting a "live" wire may make exposed metal parts of the power tool "live" and shock the operator.

- **Always use side handle. Tighten the handle securely.** The side handle should always be used to maintain control of the tool at all times.
- **Do not use a damaged accessory. Before each use inspect the accessory such as diamond wheel for chips and cracks, backing pad for cracks, tear or excess wear. If power tool or accessory is dropped, inspect for damage or install an undamaged accessory. After inspecting and installing an accessory, position yourself and bystanders away from the plane of the rotating accessory and run the power tool at maximum no-load speed for one minute.** Damaged accessories will normally break apart during this test time.
- **DO NOT grind or cut metal with this shroud.**
- **Wear personal protective equipment. Depending on application, use face shield, safety goggles or safety glasses. As appropriate, wear dust mask, hearing protectors, gloves and workshop apron capable of stopping small abrasive or workpiece fragments.** The eye protection must be capable of stopping flying debris generated by various operations. The dust mask or respirator must be capable of filtering particles generated by your operation. Prolonged exposure to high intensity noise may cause hearing loss.
- **Do not "jam" the cut-off wheel or apply excessive pressure. Do not attempt to make an excessive depth of cut.** Overstressing the wheel increases the loading and susceptibility to twisting or binding of the wheel in the cut and the possibility of kickback.
- **Position the cord clear of the spinning accessory.** If you lose control, the cord may be cut or snagged and your hand or arm may be pulled into the spinning accessory.
- **Never lay the power tool down until the accessory has come to a complete stop.** The spinning accessory may grab the surface and pull the power tool out of your control.
- **Do not run the power tool while carrying it at your side.** Accidental contact with the spinning accessory could snag your clothing, pulling the accessory into your body.
- **Regularly clean the power tool's air vents.** The motor's fan will draw the dust inside the housing and excessive accumulation of powdered metal may cause electrical hazards.
- **Do not operate the power tool near flammable materials.** Sparks could ignite these materials.
- **Do not use accessories that require liquid coolants.** Using water or other liquid coolants may result in electrocution or shock.
- **DO NOT use bonded abrasive wheels.** Only use Diamond coated Type 1 wheels.
- **ALWAYS use with a dust collector.** Dust collector must provide at least 150 cubic feet per minute (cfm) of airflow and have a filter with 99% or greater efficiency

for respirable particulate and a cyclonic pre-separator or filter-cleaning mechanism.

- **Operate and maintain tool in accordance with manufacturer's instructions to minimize dust emissions.**



**WARNING:** When not in use, place grinder on a stable surface where it will not move inadvertently, roll or cause a tripping or falling hazard. Serious personal injury may result.

## Causes and Operator Prevention of Kickback

Kickback is a sudden reaction to a pinched or snagged rotating wheel, backing pad, brush or any other accessory. Pinching or snagging causes rapid stalling of the rotating accessory which in turn causes the uncontrolled power tool to be forced in the direction opposite of the accessory's rotation at the point of the binding.

For example, if a diamond wheel is snagged or pinched by the workpiece, the edge of the wheel that is entering into the pinch point can dig into the surface of the material causing the wheel to climb out or kick out. The wheel may either jump toward or away from the operator, depending on direction of the wheel's movement at the point of pinching with a Diamond coated wheel that is designed for the application.

Kickback is the result of tool misuse and/or incorrect operating procedures or conditions and can be avoided by taking proper precautions as given below:

- Maintain a firm grip on the power tool and position your body and arm to allow you to resist kickback forces. Always use auxiliary handle, if provided, for maximum control over kickback or torque reaction during start up.** The operator can control torque reaction or kickback forces, if proper precautions are taken.
- Never place your hand near the rotating accessory.** Accessory may kickback over your hand.
- Do not position your body in the area where power tool will move if kickback occurs.** Kickback will propel the tool in direction opposite to the wheel's movement at the point of snagging.
- Use special care when working corners, sharp edges etc. Avoid bouncing and snagging the accessory.** Corners, sharp edges or bouncing have a tendency to snag the rotating accessory and cause loss of control or kickback.
- Do not attach a saw chain, woodcarving blade, segmented diamond wheel with a peripheral gap greater than 10 mm or toothed saw blade.** Such blades create frequent kickback and loss of control.

## Additional Safety Information



**WARNING:** Never modify the power tool or any part of it. Damage or personal injury could result.



**WARNING: ALWAYS** use safety glasses. Everyday eyeglasses are NOT safety glasses. Also use face or

dust mask if cutting operation is dusty. ALWAYS WEAR CERTIFIED SAFETY EQUIPMENT:

- ANSI Z87.1 eye protection (CAN/CSA Z94.3),
- ANSI S12.6 (S3.19) hearing protection,
- NIOSH/OSHA/MSHA respiratory protection.



**WARNING:** Some dust created by power sanding, sawing, grinding, drilling, and other construction activities contains chemicals known to the State of California to cause cancer, birth defects or other reproductive harm. Some examples of these chemicals are:

- lead from lead-based paints,
- crystalline silica from bricks and cement and other masonry products, and
- arsenic and chromium from chemically-treated lumber.

Your risk from these exposures varies, depending on how often you do this type of work. To reduce your exposure to these chemicals: work in a well ventilated area, and work with approved safety equipment, such as those dust masks that are specially designed to filter out microscopic particles.

- **Avoid prolonged contact with dust from power sanding, sawing, grinding, drilling, and other construction activities. Wear protective clothing and wash exposed areas with soap and water.** Allowing dust to get into your mouth, eyes, or lay on the skin may promote absorption of harmful chemicals.



**WARNING:** Use of this tool can generate and/or disperse dust, which may cause serious and permanent respiratory or other injury. Always use NIOSH/OSHA approved respiratory protection appropriate for the dust exposure. Direct particles away from face and body.



**WARNING: Always wear proper personal hearing protection that conforms to ANSI S12.6 (S3.19) during use.** Under some conditions and duration of use, noise from this product may contribute to hearing loss.



**CAUTION:** When not in use, place tool on its side on a stable surface where it will not cause a tripping or falling hazard. Some tools with large battery packs will stand upright on the battery pack but may be easily knocked over.

- **Air vents often cover moving parts and should be avoided.** Loose clothes, jewelry or long hair can be caught in moving parts.
- **An extension cord must have adequate wire size (AWG or American Wire Gauge) for safety.** The smaller the gauge number of the wire, the greater the capacity of the cable, that is, 16 gauge has more capacity than 18 gauge. An undersized cord will cause a drop in line voltage resulting in loss of power and overheating. When using more than one extension to make up the total length, be sure each individual extension contains at least the minimum wire size. The following table shows the correct size to use depending on cord length and nameplate

ampere rating. If in doubt, use the next heavier gauge. The lower the gauge number, the heavier the cord.

**Minimum Gauge for Cord Sets**

Volts	Total Length of Cord in Feet (meters)					
	120 V	25 (7.6)	50 (15.2)	100 (30.5)	150 (45.7)	
240 V	50 (15.2)	100 (30.5)	200 (61.0)	300 (91.4)		
Ampere Rating More Than	Not More Than	American Wire Gauge				
		0	6	18	16	16
6	10	18	16	14	12	
10	12	16	16	14	12	
12	16	14	12	Not Recommended		

**⚠ WARNING:** If the plug or power cord is damaged, it must be replaced by the manufacturer or its representative or by an equally qualified person to avoid danger.

The label on your tool may include the following symbols. The symbols and their definitions are as follows:

V .....	volts	⎓ or AC/DC.....	alternating or direct current
Hz .....	hertz	⊠.....	Class II Construction (double insulated)
min .....	minutes	n <sub>0</sub> .....	no load speed
⎓ or DC.....	direct current	n .....	rated speed
⊕.....	Class I Construction (grounded)	⊕.....	earthing terminal
... /min.....	per minute	⚠.....	safety alert symbol
BPM .....	beats per minute	⚠.....	visible radiation
IPM .....	impacts per minute	☞.....	wear respiratory protection
RPM .....	revolutions per minute	☞.....	wear eye protection
sfpm .....	surface feet per minute	☞.....	wear hearing protection
SPM .....	strokes per minute	📖.....	read all documentation
A .....	amperes		
W.....	watts		
⎓ or AC.....	alternating current		

**SAVE THESE INSTRUCTIONS FOR FUTURE USE**

**Intended Use**

Your cutting shroud has been designed for professional concrete and masonry or stone cutting, or tuckpoint applications with a Diamond coated wheel that is designed for the application. It is not intended for use with metal or wood. Using the appropriate grinder, wheel and dust extractor vacuum, it can be used to remove the vast majority of static and airborne dust, which without the use of the cutting shroud could otherwise contaminate the working environment or pose an increased health risk to the operator and those in close proximity.

**DO NOT** use under wet conditions or in presence of flammable liquids or gases.

The cutting shroud is a professional tool.

**DO NOT** let children come into contact with the tool. Supervision is required when inexperienced operators use this tool.

**Cutting Shroud / Grinder Compatible List**

**DWE46125**

Keyless gear case: DWE43214, DWE43214N, DWE43214NV5, DWE43240INOX, DWE43231VS, DWE43244N, DWE43240VS, DWE46253, DWE46202, DWE43265N, DWE43840CN  
 DWE43113, DWE43115, DWE43115N, DWE43066, DWE43066N, DWE43116, DWE43116N, DWE43114, DWE43114N, DWE43131, DWE43144, DWE43144N, DWE43140, DWE46103, DWE46153, DWE46155  
 DWE402G, DWE402K, DWE402, DWE402N  
 DWE4222, DWE4222N, DWE4214  
 DWE4020, DWE4120, DWE4011  
 DCG413, DCG414, DCG414, DCG415, DCG416, DCG418

**DWE46127**

DWE4517, DWE4519, DWE4557, DWE4559N, DWE4559CN, D28499X, DWE4597, DWE4597N, DWE4599N, DCG440, DCG460

**NOTE:** The DWE46125 must be only used with 4.5" (115 mm) or 5" (125 mm) accessories. The DWE46127 must be only used with 7" (180 mm) accessories.

**ASSEMBLY AND ADJUSTMENTS**

**⚠ WARNING:** To reduce the risk of serious personal injury, turn unit off and disconnect it from power source before making any adjustments or removing/installing attachments or accessories. An accidental start-up can cause injury.

**Mounting and Removing Cutting Shroud (Fig. A–D)**

1. Follow the mounting and removing guard instructions in the tool manual to remove the guard from grinder. Retain the original parts from your grinder to properly reassemble the grinder guard.
2. To mount the DWE46125 cutting shroud on a keyless gear case, remove the screw **21** as shown in Figure B.
3. Insert the supplied stop screw **23** as shown in Figure C. Then mount cutting shroud. Refer to the **Cutting Shroud / Grinder Compatibility List** for the list of compatible grinders with a keyless gear case.

Fig. B

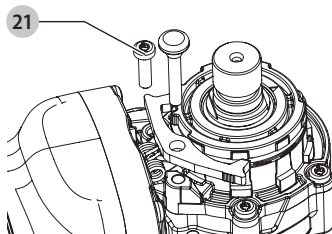
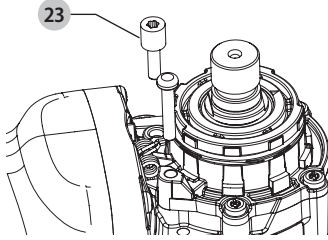
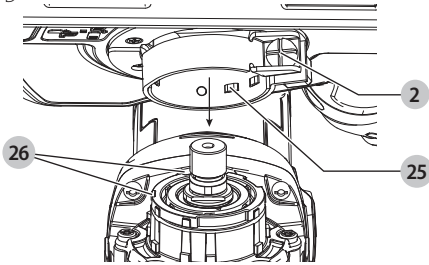


Fig. C



4. Press the front guard button **7** and the side guard button **8** at the same time to fully open the cutting shroud.
5. Loosen the collar screw **2** on the cutting shroud and align the tabs **25** on the cutting shroud with the slots **26** on the grinder gear case.

Fig. D



6. Rotate the shroud into the desired working position. The shroud should be positioned between the spindle and the operator to provide optimum efficiency.
7. Tighten the collar screw **2** to secure the cutting shroud on the gear case. Do not operate the grinder with a loose cutting shroud.
8. To remove the cutting shroud, loosen the collar screw, rotate the cutting shroud to align the slots and tabs and pull up on the cutting shroud.

**NOTE:** The cutting shroud is pre-adjusted to the diameter of the gear case hub at the factory. If, after a period of time, the cutting shroud becomes loose, tighten the collar screw **2**. Only adjust the collar screw when it is on the grinder otherwise the collar can be damaged.

**NOTICE:** If cutting shroud cannot be secured by tightening the collar screw, do not use tool. Take the tool and cutting shroud to a service center to repair or replace the cutting shroud.

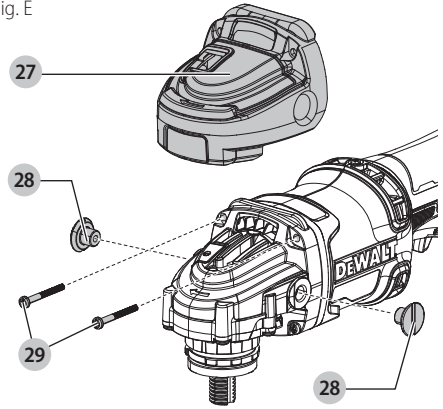
## Mounting and Removing Cutting Shroud (Fig. E, F)

**DCG440 only**

### Removing the Gearcase Cover (Fig. E)

1. Remove the two top gearcase screws **29**.
2. Remove the two side gearcase cover screws **28**.
3. Remove the gearcase cover **27**.
4. After the gearcase cover is removed, securely tighten the two top gearcase screws **29** back in place.

Fig. E

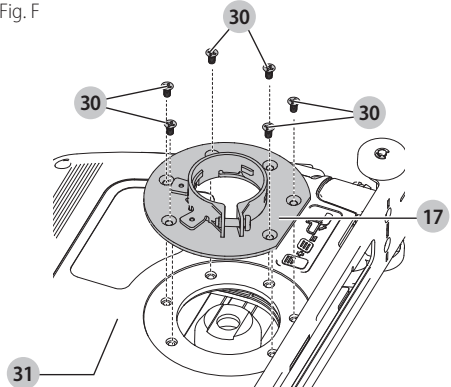


## Removing and Replacing the Cutting Shroud Collar (Fig. F)

**DCG440 only**

1. Remove the collar screws **30** from cutting shroud **31**.
2. Remove the attached collar.
3. Place included DCG440 collar **17** onto cutting shroud as shown.
4. Securely tighten all collar screws.

Fig. F



## Mounting and Using Type 1 (Cutting) Diamond Wheels (Fig. A, G, H)

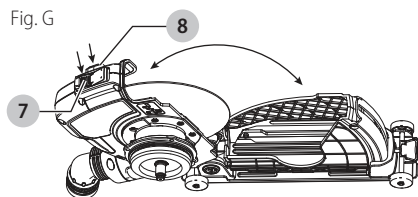
**WARNING:** Only Type 1 Diamond Wheels shall be used with cutting shroud. Do not cut metal. Do not use with bonded abrasive wheels.

**CAUTION:** Do not use the shroud with the grinder flanges. Only use the shroud with the flanges provided with it.

1. With the cutting shroud attached to the grinder, press the front guard button **7** and the side guard button **8** at the same time to fully open the cutting shroud.

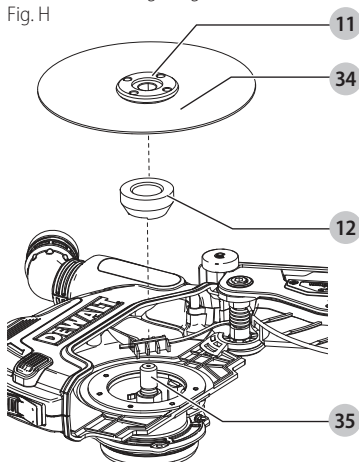


Fig. G



- Remove the backing flange that is on the grinder (and keep it for conversion back to a grinder).
  - Install the backing flange, **12**, **14**, **15**, or **18** on spindle **35**.
- IMPORTANT:** The DWE46125 comes with two sets of flanges. Refer to the **Flange/Grinder Compatibility Chart** at the end of this section for proper use.
- Place the wheel **34** on the locking flange **11**, **13**, **16**, or **19** and place both on the spindle, against the backing flange, centering the wheel on the raised center of the backing flange.
  - While depressing the spindle lock button, tighten the locking flange using a wrench.
  - To remove the wheel, depress the spindle lock button and loosen the locking flange.

Fig. H



### Flange / Grinder Compatibility Chart

Flange set	Grinder
Short (silver) flange set:	DCG405, DCG413
Locking flange <b>11</b>	
Backing flange <b>12</b>	

### Flange / Grinder Compatibility Chart

Flange set	Grinder
Long (black) flange set:	DWE43214, DWE43214N, DWE43214NVS, DWE43240INOX,
Locking flange <b>13</b>	DWE43231VS, DWE43244N,
Backing flange <b>14</b>	DWE43240VS, DWE46253, DWE46202, DWE43265N, DWE43840CN
	DWE43113, DWE43115, DWE43115N, DWE43066, DWE43066N, DWE43116, DWE43116N, DWE43114, DWE43114N, DWE43131, DWE43144, DWE43144N, DWE43140, DWE46103, DWE46153, DWE46155
	DWE402G, DWE402K, DWE402, DWE402N
	DWE4222, DWE4222N, DWE4214
	DCG414, DCG415, DCG416, DCG418
	DWE4020, DWE4120, DWE4011
Large (2 grooves) flange and collar set:	DCG440
Outer flange <b>19</b>	
Inner spacer <b>18</b>	
Collar <b>17</b>	
Medium (3 grooves) flange set:	DCG460
Outer flange <b>16</b>	
Inner spacer <b>15</b>	

### Depth of Cut Adjustment (Fig. A)

- Loosen the depth of cut adjustment knob **5**.
- Slide the depth of cut adjustor **4** to the desired position.
 

**NOTE:** If the shroud is closed, press the front guard button **7** to open the shroud. This will make it easier to move the depth of cut adjustor.
- Tighten the depth of cut adjustment knob.

### Dust Extraction (Fig. A, I)

**WARNING:** Use only power tools and dust extractors recommended by DEWALT with this attachment.

For more information about DEWALT power tools compatible with this attachment, please contact your local dealer, call **1-800-4-DEWALT (1-800-433-9258)** or visit our website **www.DEWALT.com**.

**WARNING:** This attachment must be used with a dust extractor system. ALWAYS wear certified safety face or dust mask.

**NOTE:** Ensure hose connection is secure.

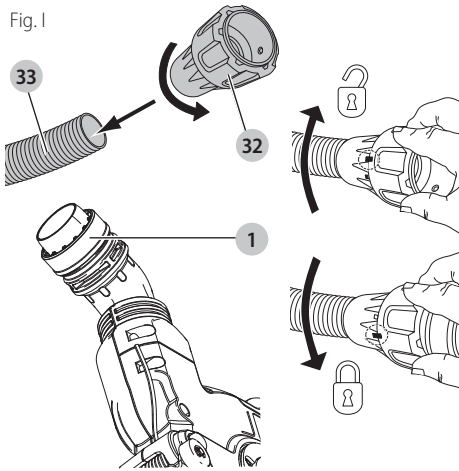
**NOTE:** The amount of dust retained by the dust extractor vacuum is dependent on its filter system. Refer to the dust extractor vacuum instruction manual for more information.

## ENGLISH

All DEWALT dust collection shrouds are designed to work with the DEWALT Air lock™ universal DWV9000 connector.

1. Attach the DWV9000 connector **32** to your dust collector hose **33**.
2. Unlock the DWV9000 connector and slide onto dust port **1**.
3. Lock the DWV9000 connector to secure.

Fig. I



## Traditional Dust Extractor Vacuum Hoses

Attach recommended dust extractor vacuum hose to dust port **1**.

## Removing and Attaching Guiding Wheels (Fig. J)

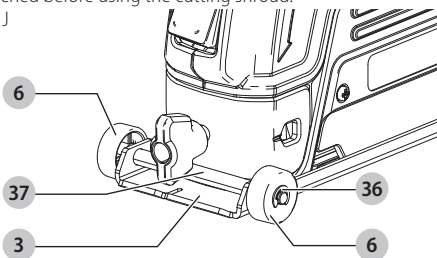
**WARNING:** The cutting shroud should only be used either (1) when all four wheels are attached and in good working condition or (2) when all four wheels are removed and the metal base is in good working condition.

This cutting shroud comes with four removable guiding wheels **6** on the metal base **3** which can be detached if not needed.

1. Remove the clips **36** holding the wheels to the base.
2. Remove the guiding wheels.
3. Remove the pivot pin **37**.

To attach the guiding wheels to the base, reinsert the pivot pin, slide the wheels on their axles and secure the clips in place. Make sure all four guiding wheels are securely attached before using the cutting shroud.

Fig. J



## OPERATION

**WARNING:** To reduce the risk of serious personal injury, turn unit off and disconnect it from power source before making any adjustments or removing/installing attachments or accessories. An accidental start-up can cause injury.

**WARNING:** For your own safety, read the instruction manual for both the grinding tool and the dust extractor vacuum before using any accessory. Failure to heed these warnings may result in personal injury and serious damage to the tool and the accessory. When servicing this tool, use only identical replacement parts.

**WARNING:** Hold the side handle and body of the tool firmly to maintain control of the tool at start up and during use and until the wheel stops rotating. Make sure the wheel has come to a complete stop before laying the tool down.

**WARNING:** The cutting shroud should only be used either (1) when all four wheels are attached and in good working condition or (2) when all four wheels are removed and the metal base is in good working condition.

1. Ensure all assembly and adjustment instructions have been completed.
2. Turn the dust extractor vacuum on as instructed in the dust extractor vacuum instruction manual.
3. Start grinder as instructed in tool instruction manual.

**NOTE:** Allow the tool to reach full speed before applying to the work surface.

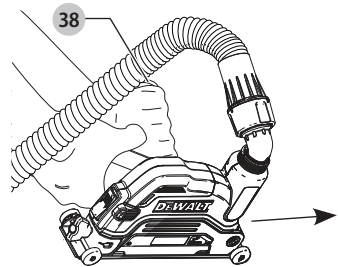
## Proper Hand Position (Fig. K)

**WARNING:** To reduce the risk of serious personal injury, ALWAYS use proper hand position as shown.

**WARNING:** To reduce the risk of serious personal injury, ALWAYS hold securely in anticipation of a sudden reaction.

Proper hand position requires one hand on the body of the tool and one hand on the side handle **38**.

Fig. K



## Tuckpointing and Cutting Application (Fig. A, K)

1. Set the desired depth of cut, see **Depth of Cut Adjustment** under **Assembly and Adjustments**.
2. Allow the tool to reach full speed before touching it to the work surface.

- Position yourself so the bottom of the metal base **3** and the wheel are facing away from you.
- Place the metal base **3** of the shroud onto the work surface and begin cut by plunging into the work surface. The upper guard **9** will lock onto the lower guard **10** after the initial plunge.  
**NOTE:** Keep the metal base of the shroud against the work surface to ensure proper dust collection.
- With the shroud oriented as shown in Figure K, push the grinder forward along the work surface, or pull to the left if tuckpointing.  
**NOTE:** The grinder should **ONLY** be used in the direction indicated.
- When finished with the cut, turn the tool off before removing it from work surface to limit exposure to dust. Allow the tool to stop rotating before laying it down.
- Push the front guard button **7** to release the upper shroud and start a new plunge cut.

## MAINTENANCE



**WARNING:** To reduce the risk of serious personal injury, turn unit off and disconnect it from power source before making any adjustments or removing/installing attachments or accessories. An accidental start-up can cause injury.

Your DEWALT power tool has been designed to operate over a long period of time with a minimum of maintenance. Continuous satisfactory operation depends upon proper tool care and regular cleaning.

## Cleaning



**WARNING:** Blow dirt and dust out of all air vents with clean, dry air at least once a week. To minimize the risk of eye injury, always wear ANSI Z87.1 approved eye protection when performing this procedure.



**WARNING:** Never use solvents or other harsh chemicals for cleaning the non-metallic parts of the tool. These chemicals may weaken the plastic materials used in these parts. Use a cloth dampened only with water and mild soap. Never let any liquid get inside the tool; never immerse any part of the tool into a liquid.

## Accessories



**WARNING:** Since accessories, other than those offered by DEWALT, have not been tested with this product, use of such accessories with this tool could be hazardous. To reduce the risk of injury, only DEWALT recommended accessories should be used with this product.

Recommended accessories for use with your tool are available at extra cost from your local dealer or authorized service center. If you need assistance in locating any accessory, please contact DEWALT Industrial Tool Co., 701 East Joppa Road, Towson, MD 21286, call **1-800-4-DEWALT (1-800-433-9258)** or visit our website: [www.dewalt.com](http://www.dewalt.com).

## Repairs



**WARNING:** To assure product SAFETY and RELIABILITY, repairs, maintenance and adjustment (including brush inspection and replacement, when applicable) should be performed by a DEWALT factory service center or a DEWALT authorized service center. Always use identical replacement parts.

## Register Online

Thank you for your purchase. Register your product now for:

- WARRANTY SERVICE:** Registering your product will help you obtain more efficient warranty service in case there is a problem with your product.
- CONFIRMATION OF OWNERSHIP:** In case of an insurance loss, such as fire, flood or theft, your registration of ownership will serve as your proof of purchase.
- FOR YOUR SAFETY:** Registering your product will allow us to contact you in the unlikely event a safety notification is required under the Federal Consumer Safety Act.

Register online at [www.dewalt.com/account-login](http://www.dewalt.com/account-login).

## Three-Year Limited Warranty

For warranty terms, go to [www.dewalt.com/support/warranty](http://www.dewalt.com/support/warranty).

To request a written copy of the warranty terms, contact: Customer Service at DEWALT Industrial Tool Co., 701 East Joppa Road, Towson, MD 21286 or call **1-800-4-DEWALT (1-800-433-9258)**.

**LATIN AMERICA:** This warranty does not apply to products sold in Latin America. For products sold in Latin America, see country-specific warranty information contained in the packaging, call the local company or see website for warranty information.

**FREE WARNING LABEL REPLACEMENT:** If your warning labels become illegible or are missing, call **1-800-4-DEWALT (1-800-433-9258)** for a free replacement.

## Définitions : symboles et termes d'alarmes sécurité

Ces guides d'utilisation utilisent les symboles et termes d'alarmes sécurité suivants pour vous prévenir de situations dangereuses et de risques de dommages corporels ou matériels.

**⚠ DANGER** : indique une situation dangereuse imminente qui, si elle n'est pas évitée, **entraînera la mort ou des blessures graves**.

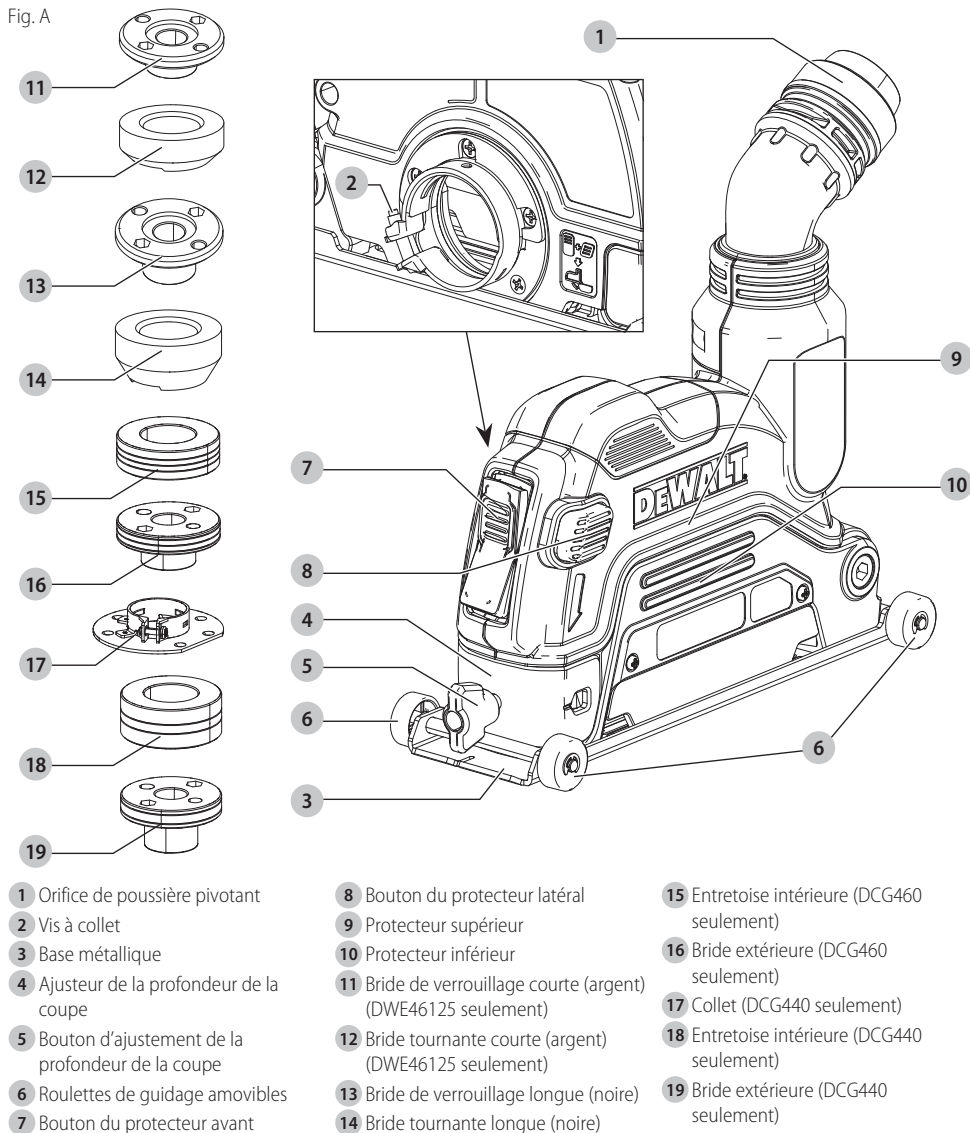
**⚠ AVERTISSEMENT** : indique une situation potentiellement dangereuse qui, si elle n'est pas évitée, **pourrait entraîner la mort ou des blessures graves**.

**⚠ ATTENTION** : indique une situation potentiellement dangereuse qui, si elle n'est pas évitée, **pourrait entraîner des blessures légères ou modérées**.

**⚠** (Si utilisé sans aucun terme) Indique un message propre à la sécurité.

**AVIS** : indique une pratique ne posant **aucun risque de dommages corporels** mais qui par contre, si rien n'est fait pour l'éviter, **pourrait poser des risques de dommages matériels**.

Fig. A





**AVERTISSEMENT : lire tous les avertissements de sécurité et toutes les directives.** Le non-respect des avertissements et des directives pourrait se solder par un choc électrique, un incendie et/ou une blessure grave.



**AVERTISSEMENT :** afin de réduire le risque de blessures, lire le mode d'emploi de l'outil.

Pour toute question ou remarque au sujet de cet outil ou de tout autre outil DeWALT, composez le numéro sans frais : 1-800-4-DEWALT (1-800-433-9258).

## AVERTISSEMENTS GÉNÉRAUX SUR LA SÉCURITÉ DES OUTILS



**AVERTISSEMENT : lisez tous les avertissements de sécurité, toutes les instructions, les illustrations et les caractéristiques fournis avec cet outil électrique.** Ne pas suivre toutes les instructions comprises aux présentes peut conduire à un choc électrique, un incendie et/ou des blessures graves.



**AVERTISSEMENT :** pour votre propre sécurité, lisez le guide d'utilisation pour la meuleuse avant d'utiliser tout accessoire. Ne pas suivre ces avertissements peut entraîner une blessure corporelle ou des dommages graves à l'outil ou à l'accessoire.

### CONSERVER TOUS LES AVERTISSEMENTS ET TOUTES LES DIRECTIVES POUR UN USAGE ULTÉRIEUR

Le terme « outil électrique » cité dans les avertissements se rapporte à votre outil électrique à alimentation sur secteur (avec fil) ou par piles (sans fil).

#### 1) Sécurité du lieu de travail

- Tenir l'aire de travail propre et bien éclairée.**  
Les lieux encombrés ou sombres sont propices aux accidents.
- Ne pas faire fonctionner d'outils électriques dans un milieu déflagrant, tel qu'en présence de liquides, de gaz ou de poussières inflammables.**  
Les outils électriques produisent des étincelles qui pourraient enflammer la poussière ou les vapeurs.
- Éloigner les enfants et les personnes à proximité pendant l'utilisation d'un outil électrique.**  
Une distraction pourrait en faire perdre la maîtrise à l'utilisateur.

#### 2) Sécurité en matière d'électricité

- Les fiches des outils électriques doivent correspondre à la prise. Ne jamais modifier la fiche d'aucune façon. Ne jamais utiliser de fiche d'adaptation avec un outil électrique mis à la terre.** Le risque de choc électrique sera réduit par l'utilisation de fiches non modifiées correspondant à la prise.
- Éviter tout contact physique avec des surfaces mises à la terre comme des tuyaux, des radiateurs, des cuisinières et des réfrigérateurs.** Le risque de choc électrique est plus élevé si votre corps est mis à la terre.

- Ne pas exposer les outils électriques à la pluie ou à l'humidité.** La pénétration de l'eau dans un outil électrique augmente le risque de choc électrique.
- Ne pas utiliser le cordon de façon abusive. Ne jamais utiliser le cordon pour transporter, tirer ou débrancher un outil électrique. Tenir le cordon éloigné de la chaleur, de l'huile, des bords tranchants et des pièces mobiles.** Les cordons endommagés ou enchevêtrés augmentent les risques de choc électrique.
- Pour l'utilisation d'un outil électrique à l'extérieur, se servir d'une rallonge convenant à cette application.** L'utilisation d'une rallonge conçue pour l'extérieur réduira les risques de choc électrique.
- S'il est impossible d'éviter l'utilisation d'un outil électrique dans un endroit humide, brancher l'outil dans une prise ou sur un circuit d'alimentation dotés d'un disjoncteur de fuite à la terre (GFCI).** L'utilisation de ce type de disjoncteur réduit les risques de choc électrique.

#### 3) Sécurité personnelle

- Être vigilant, surveiller le travail effectué et faire preuve de jugement lorsqu'un outil électrique est utilisé. Ne pas utiliser d'outil électrique en cas de fatigue ou sous l'influence de drogues, d'alcool ou de médicaments.** Un simple moment d'inattention en utilisant un outil électrique peut entraîner des blessures corporelles graves.
- Utiliser des équipements de protection individuelle. Toujours porter une protection oculaire.** L'utilisation d'équipements de protection comme un masque antipoussière, des chaussures antidérapantes, un casque de sécurité ou des protecteurs auditifs lorsque la situation le requiert réduira les risques de blessures corporelles.
- Empêcher les démarrages intempestifs. S'assurer que l'interrupteur se trouve à la position d'arrêt avant de relier l'outil à une source d'alimentation et/ou d'insérer un bloc-piles, de ramasser ou de transporter l'outil.** Transporter un outil électrique alors que le doigt repose sur l'interrupteur ou brancher un outil électrique dont l'interrupteur est à la position de marche risque de provoquer un accident.
- Retirer toute clé de réglage ou clé avant de démarrer l'outil.** Une clé ou une clé de réglage attachée à une partie pivotante de l'outil électrique peut provoquer des blessures corporelles.
- Ne pas trop tendre les bras. Conserver son équilibre en tout temps.** Cela permet de mieux maîtriser l'outil électrique dans les situations imprévues.
- S'habiller de manière appropriée. Ne pas porter de vêtements amples ni de bijoux. Garder les cheveux, les vêtements et les gants à l'écart des pièces mobiles.** Les vêtements amples, les bijoux ou les cheveux longs risquent de rester coincés dans les pièces mobiles.

- g) *Si des composants sont fournis pour le raccordement de dispositifs de dépoussiérage et de ramassage, s'assurer que ceux-ci sont bien raccordés et utilisés. L'utilisation d'un dispositif de dépoussiérage peut réduire les dangers engendrés par les poussières.*
- h) *Ne pas laisser votre connaissance acquise suite l'utilisation fréquente des outils vous permettre de baisser la garde et ignorer les principes de sécurité de l'outil. Un acte irréfléchi peut causer une blessure grave en une fraction de seconde.*

#### 4) Utilisation et entretien d'un outil électrique

- a) *Ne pas forcer un outil électrique. Utiliser l'outil électrique approprié à l'application. L'outil électrique approprié effectuera un meilleur travail, de façon plus sûre et à la vitesse pour laquelle il a été conçu.*
- b) *Ne pas utiliser un outil électrique dont l'interrupteur est défectueux. Tout outil électrique dont l'interrupteur est défectueux est dangereux et doit être réparé.*
- c) *Débranchez la fiche de la prise électrique et, si amovible, retirez le bloc-piles de l'outil avant d'effectuer tout ajustement, changement et entreposage de celui-ci. Ces mesures préventives réduisent les risques de démarrage accidentel de l'outil électrique.*
- d) *Ranger les outils électriques hors de la portée des enfants et ne permettre à aucune personne n'étant pas familière avec un outil électrique ou son mode d'emploi d'utiliser cet outil. Les outils électriques deviennent dangereux entre les mains d'utilisateurs inexpérimentés.*
- e) *Gardez les poignées et surfaces d'emprise propres et libres de tout produit lubrifiant. Vérifier si les pièces mobiles sont mal alignées ou coincées, si des pièces sont brisées ou présentent toute autre condition susceptible de nuire au bon fonctionnement de l'outil électrique. En cas de dommage, faire réparer l'outil électrique avant toute nouvelle utilisation. Beaucoup d'accidents sont causés par des outils électriques mal entretenus.*
- f) *S'assurer que les outils de coupe sont aiguisés et propres. Les outils de coupe bien entretenus et affûtés sont moins susceptibles de se coincer et sont plus faciles à maîtriser.*
- g) *Utiliser l'outil électrique, les accessoires, les forets, etc. conformément aux présentes directives en tenant compte des conditions de travail et du travail à effectuer. L'utilisation d'un outil électrique pour toute opération autre que celle pour laquelle il a été conçu est dangereuse.*
- h) *Garder vos mains et les surfaces de prise sèches, propres et libres de graisse et de poussière. Les mains et les surfaces de prise glissante ne permettent pas la manutention et le contrôle sécuritaires de l'outil dans les situations imprévues.*

#### 5) Réparation

- a) *Faire réparer l'outil électrique par un réparateur professionnel en n'utilisant que des pièces de rechange identiques. Cela permettra de maintenir une utilisation sécuritaire de l'outil électriques.*

#### Règles de Sécurité Supplémentaires pour le Jointoiment Saillant

- *Ne pas utiliser des accessoires qui n'ont pas été spécialement conçus pour cet outil ou recommandés par son fabricant. Le fait qu'un accessoire peut être connecté à l'outil ne veut pas automatiquement dire que son utilisation ne posera aucun risque.*
- *La vitesse nominale des accessoires utilisés doit être équivalente ou supérieure à la vitesse maximale apposée sur l'outil. Les accessoires utilisés à une vitesse plus rapide que leur vitesse nominale peuvent éclater ou se détacher de l'outil.*
- *Le diamètre externe et l'épaisseur de l'accessoire utilisé doivent se conformer aux spécifications de la plaque signalétique de l'outil électrique. Les accessoires aux spécifications incorrectes ne peuvent être ni maintenus ni contrôlés de façon adéquate.*
- *L'alésage des meules, brides, tampons de soutien, ou de tout autre accessoire, doit correspondre parfaitement à la taille de la broche de l'outil. Les accessoires dont l'alésage ne correspond pas au dispositif d'installation de l'outil électrique ne tourneront pas correctement, vibreront de façon excessive et pourront causer la perte de contrôle de l'outil.*
- *Le coiffe doit être solidement fixé à l'outil électrique et installé pour optimiser la sécurité pour que l'utilisateur soit le moins possible exposé à la meule. Le coiffe aide à protéger l'utilisateur contre toute projection de fragments et contre tout contact avec la meule.*
- *Tenir l'outil électrique par les surfaces isolées prévues à cet effet pendant toute utilisation où l'organe de coupe pourrait entrer en contact avec des fils électriques cachés ou son propre cordon. Tout contact de l'organe de coupe avec un fil sous tension met les parties métalliques exposées de l'outil électrique sous tension et électrocute l'utilisateur.*
- *Utiliser systématiquement la poignée latérale. Fixer la poignée solidement. La poignée latérale doit être systématiquement utilisée pour maîtriser l'outil en permanence.*
- *Ne pas utiliser d'accessoire endommagé. Avant toute utilisation, vérifier que les accessoires, comme les meules diamant et les tampons de soutien, ne comportent aucune fissure ou cassure, ou ne sont affectés d'aucune usure excessive. En cas de chute, vérifier que l'outil électrique ou l'accessoire n'a pas été endommagé, et remplacer toute pièce abîmée. Après avoir inspecté et installé un accessoire, se positionner, soi-même et tout individu présent, hors du plan de rotation de l'accessoire et laisser tourner l'outil une minute à sa vitesse à vide maximale. En*

général, les accessoires endommagés se brisent pendant le temps d'essai.

- **NE PAS meuler ou couper le métal avec cette coiffe.**
- **Porter un équipement individuel de protection. Utiliser une protection faciale et des lunettes ou un masque de protection. Si approprié, porter un masque anti-poussières, une protection auditive, des gants et un tablier d'atelier capables de vous protéger contre toute projection abrasive ou tout fragment.** La protection oculaire doit pouvoir arrêter toute projection de débris engendrés par des opérations diverses. Le masque anti-poussières, ou l'appareil de protection des voies respiratoires, doit pouvoir filtrer les particules engendrées par l'opération en cours. Toute exposition prolongée à un haut niveau de décibels peut occasionner une perte de l'acuité auditive.
- **Ne pas « bloquer » la meule à tronçonner ou lui appliquer une pression excessive. Ne pas effectuer des profondeurs de coupe excessives.** Surcharger la meule augmente la contrainte sur l'outil et les risques de torsion ou grippage de la meule dans la coupe.
- **Positionner le cordon hors du chemin de l'accessoire en rotation.** En cas de perte de contrôle de l'outil, le cordon pourrait être coupé ou arraché, et les mains ou bras pourraient entrer en contact avec l'accessoire en rotation.
- **Attendre systématiquement l'arrêt complet de l'accessoire avant de poser l'outil électrique.** L'accessoire en rotation pourrait s'accrocher à une surface et vous faire perdre le contrôle de l'outil électrique.
- **Ne pas laisser l'outil électrique tourner alors que vous le transportez à votre côté.** Tout contact accidentel de l'accessoire en rotation pourrait faire que ce dernier s'accroche aux vêtements et entre en contact avec le corps.
- **Nettoyer régulièrement les orifices d'aération de l'outil.** Le ventilateur du moteur attirera de la poussière à l'intérieur du boîtier et l'accumulation excessive de poussières métalliques pose des risques d'électrocution.
- **Ne pas utiliser cet outil électrique à proximité de matériaux inflammables, car des étincelles pourraient les enflammer.**
- **Ne pas utiliser d'accessoires nécessitant l'utilisation de réfrigérants fluides.** L'utilisation d'eau ou de réfrigérants fluides pose des risques d'électrocution ou de chocs électriques.
- **NE PAS utiliser les meules abrasives agglomérées.** Utilisez seulement les meules de type 1 diamantées.
- **Utilisez toujours un collecteur de poussière.** Le collecteur de poussière permet au moins 150 pieds cubes par minute (pi<sup>3</sup>/min) de débit d'air et a un filtre ayant 99 % ou plus d'efficacité pour les particules respirables et un mécanisme de nettoyage du filtre ou de séparation préalable cyclonique.
- **Utilisez et entretenez l'outil conformément aux instructions du fabricant afin de minimiser les émissions de poussière.**



**AVERTISSEMENT : lorsqu'elle est inutilisée, déposer la meuleuse sur une surface stable où elle sera immobile et ne risquera pas de rouler ou de faire trébucher ou chuter quiconque.** Cela pose des risques de dommages corporels graves.

## Causes de l'effet de Rebond et Prévention par l'opérateur



L'effet de rebond est une réaction soudaine d'une meule, d'un tampon, d'une brosse ou d'un tout autre accessoire, en mouvement, qui est pincé ou qui s'accroche. Un pincement ou un accrochage provoque un arrêt rapide de l'accessoire en mouvement qui, à son tour, projette l'outil électrique, hors de maîtrise, dans la direction opposée à la rotation de l'outil au point de grippage.


Par exemple, si une meule diamant reste accrochée ou pincée dans une pièce à travailler, le bord de la meule engagée au point de grippage peut s'enfoncer dans la surface du matériau et faire sauter ou rebondir la meule. La meule peut bondir vers ou loin de l'utilisateur, selon la direction du mouvement de la meule au point de pincement avec une meule diamantée qui est conçue pour l'application.

Un effet de rebond est le résultat d'une mauvaise utilisation de l'outil et/ou de procédures ou conditions de fonctionnement incorrectes. Il peut être évité en prenant les précautions nécessaires telles que décrites ci-dessous :

- a) **Saisir fermement l'outil électrique et positionner le corps et les bras de sorte à résister à la force de l'effet de rebond. Utiliser toujours la poignée auxiliaire, s'il y en a une, pour contrôler au maximum l'effet de rebond ou le couple de réaction au démarrage.** Avec de bonnes précautions, l'opérateur est en mesure de contrôler le couple de réaction ou l'effet de rebond.
- b) **Ne jamais placer les mains près de l'accessoire en mouvement.** Il pourrait en effet être projeté sur celles-ci en cas de rebond.
- c) **Ne pas positionner le corps dans la trajectoire probable de l'outil électrique, en cas de rebond.** Au moment du grippage, l'outil sera projeté dans la direction opposée au déplacement de la meule.
- d) **Être particulièrement attentif lors de travaux dans un coin, sur des bords tranchants, etc. Éviter de faire rebondir l'accessoire. Éviter tout type de grippage de l'accessoire.** Un travail dans un coin ou sur des bords tranchants ou un travail en faisant rebondir l'accessoire provoquent souvent un grippage et une perte de maîtrise de l'outil ou un effet de rebond.
- e) **Ne pas fixer une scie à chaîne, une lame de sculpture de bois, une meule diamantée segmentée ayant un espace périphérique plus grand que 10 mm ou une lame de scie dentée.** Ces lames créent des rebonds fréquents et une perte de contrôle.


## Consigne de sécurité supplémentaire


-  **AVERTISSEMENT** : ne jamais modifier l'outil électrique ni aucun de ses composants, car il y a des risques de dommages corporels ou matériels.
-  **AVERTISSEMENT** : porter **SYSTEMATIQUEMENT** des lunettes de protection. Les lunettes courantes NE sont PAS des lunettes de protection. Utiliser aussi un masque antipoussières si la découpe doit en produire beaucoup. PORTER SYSTÉMATIQUEMENT UN ÉQUIPEMENT DE SÉCURITÉ HOMOLOGUÉ :
  - Protection oculaire ANSI Z87.1 (CAN/CSA Z94.3) ;
  - Protection auditive ANSI S12.6 (S3.19) ;
  - Protection des voies respiratoires NIOSH/OSHA/MSHA.


-  **AVERTISSEMENT** : les scies, meules, ponceuses, perceuses ou autres outils de construction peuvent produire des poussières contenant des produits chimiques reconnus par l'État californien pour causer cancers, malformations congénitales ou être nocifs au système reproducteur. Parmi ces produits chimiques, on retrouve :
  - Le plomb dans les peintures à base de plomb ;
  - La silice cristallisée dans les briques et le ciment, ou autres produits de maçonnerie ; et
  - L'arsenic et le chrome dans le bois ayant subi un traitement chimique.

Le risque associé à de telles expositions varie selon la fréquence à laquelle on effectue ces travaux. Pour réduire toute exposition à ces produits : travailler dans un endroit bien aéré, en utilisant du matériel de sécurité homologué, tel un masque antipoussières spécialement conçu pour filtrer les particules microscopiques.

- **Limiter toute exposition prolongée avec les poussières provenant du ponçage, sciage, meulage, perçage ou toute autre activité de construction. Porter des vêtements de protection et nettoyer à l'eau savonneuse les parties du corps exposées.** Le fait de laisser la poussière pénétrer dans la bouche, les yeux ou la peau peut favoriser l'absorption de produits chimiques dangereux.

-  **AVERTISSEMENT** : cet outil peut produire et/ou répandre de la poussière susceptible de causer des dommages sérieux et permanents au système respiratoire. Utiliser systématiquement un appareil de protection des voies respiratoires homologué par le NIOSH ou l'OSHA. Diriger les particules dans le sens opposé au visage et au corps.

-  **AVERTISSEMENT** : pendant l'utilisation, porter systématiquement une protection auditive individuelle adéquate homologuée ANSI S12.6 (S3.19). Sous certaines conditions et suivant la durée d'utilisation, le bruit émanant de ce produit pourrait contribuer à une perte de l'acuité auditive.


-  **ATTENTION** : après utilisation, ranger l'outil sur son côté, sur une surface stable, là où il ne pourra ni faire trébucher ni faire chuter quelqu'un. Certains outils équipés d'un large bloc-

puissent tenir à la verticale sur celui-ci, mais manquent alors de stabilité.




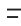



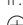




- **Prendre des précautions à proximité des événements, car ils cachent des pièces mobiles.** Vêtements amples, bijoux ou cheveux longs risquent de rester coincés dans ces pièces mobiles.
- **Pour la sécurité de l'utilisateur, utiliser une rallonge de calibre adéquat (AWG, American Wire Gauge [calibrage américain normalisé des fils électriques]).** Plus le calibre est petit, et plus sa capacité est grande. Un calibre 16, par exemple, a une capacité supérieure à un calibre 18. L'usage d'une rallonge de calibre insuffisant causera une chute de tension qui entraînera perte de puissance et surchauffe. Si plus d'une rallonge est utilisée pour obtenir une certaine longueur, s'assurer que chaque rallonge présente au moins le calibre de fil minimum. Le tableau ci-dessous illustre les calibres à utiliser selon la longueur de rallonge et l'intensité nominale indiquée sur la plaque signalétique. En cas de doute, utiliser le calibre suivant. Plus le calibre est petit, plus la rallonge peut supporter de courant.

### Calibre minimum pour les cordons d'alimentation

Volts		Longueur totale du cordon d'alimentation en mètre (pieds)			
120 V		7,6 (25)	15,2 (50)	30,5 (100)	45,7 (150)
240 V		15,2 (50)	30,5 (100)	61,0 (200)	91,4 (300)
Ampères		AWG			
Plus que	Pas plus que				
0	6	18	16	16	14
6	10	18	16	14	12
10	12	16	16	14	12
12	16	14	12	Non recommandé	

-  **AVERTISSEMENT** : si la fiche ou le cordon d'alimentation est endommagé, il doit être remplacé par le fabricant ou son représentant ou par une personne tout aussi qualifiée afin d'éviter le danger.

L'étiquette apposée sur votre outil peut inclure les symboles suivants. Les symboles et leur définition sont indiqués ci-après :

V .....	volts		ou CA.....	courant alternatif
Hz .....	hertz		ou CA/CC ...	courant alternatif ou continu
min .....	minutes			fabrication classe II (double isolation)
 ou CC .....	courant continu			borne de terre
 .....	fabrication classe I (mis à la terre)			symbole d'avertissement
... /min .....	par minute			radiation visible
BPM .....	batttements par minute			protection respiratoire
IPM .....	impacts par minute			protection oculaire
RPM .....	révolutions par minute			protection auditive
sfpm .....	pieds linéaires par minute (plpm)			lire toute la documentation
SPM (FPM) .....	fréquence par minute			
A .....	ampères			
W .....	watts			



## CONSERVER CES CONSIGNES POUR UTILISATION ULTÉRIEURE

### Usage Prévu

Votre coiffe de coupe a été conçue à des fins professionnelles de coupe de béton et de maçonnerie ou de pierre, ou pour les joints saillants avec une meule diamantée qui est conçue pour l'application. Elle n'est pas conçue pour être utilisée avec du métal ou du bois. À l'aide d'une meuleuse, d'une meule et d'un dépoussiéreur, elle peut être utilisée pour enlever la grande majorité de la poussière statique et de la poussière en suspension dans l'air qui, sans l'utilisation de la coiffe de coupe, pourrait autrement contaminer l'environnement de travail ou représenter un risque accru pour la santé de l'utilisateur et ceux qui sont à proximité.

**NE PAS** les utiliser en milieu ambiant humide ou en présence de liquides ou de gaz inflammables.

La coiffe de coupe est un outil professionnel.

**NE PAS** le laisser à la portée des enfants. Une supervision est nécessaire auprès de tout utilisateur non expérimenté.

#### Liste des coiffes de coupe / meuleuses compatibles

##### DWE46125

Boîtier d'engrenages sans clé: DWE43214, DWE43214N, DWE43214NVS, DWE43240INOX, DWE43231VS, DWE43244N, DWE43240VS, DWE46253, DWE46202, DWE43265N, DWE43840CN

DWE43113, DWE43115, DWE43115N, DWE43066, DWE43066N, DWE43116, DWE43116N, DWE43114, DWE43114N, DWE43131, DWE43144, DWE43144N, DWE43140, DWE46103, DWE46153, DWE46155

DWE402G, DWE402K, DWE402, DWE402N

DWE4222, DWE4222N, DWE4214

DWE4020, DWE4120, DWE4011

DCG413, DCG414, DCG414, DCG415, DCG416, DCG418

##### DWE46127

DWE4517, DWE4519, DWE4557, DWE4559N, DWE4559CN, D28499X, DWE4597, DWE4597N, DWE4599N, DCG440, DCG460

**REMARQUE :** le modèle DWE46125 doit être utilisé seulement avec les accessoires de 115 mm (4,5 po) ou 125 mm (5 po). Le modèle DWE46127 doit être utilisé seulement avec les accessoires de 180 mm (7 po).

### ASSEMBLAGE ET AJUSTEMENTS



**AVERTISSEMENT :** pour réduire le risque de blessures graves, éteindre l'outil et retirer le débrancher avant d'effectuer tout réglage et d'enlever ou d'installer tout accessoire. Un démarrage accidentel peut provoquer des blessures.

### Installer et retirer la coiffe de coupe (Fig. A–D)

1. Suivez les instructions d'installation et de retrait dans le guide de l'outil pour retirer le protecteur de la meuleuse.

Conservez les pièces originales de votre meuleuse pour réassembler le protecteur de la meuleuse.

- Pour installer la coiffe DWE46125 sur un carter d'engrenage sans clé, retirez la vis **21**, comme illustré par la Figure B.
  - Insérez la vis de blocage **23**, comme illustré par la Figure C.
- Puis installez la coiffe de coupe. Consultez la **Liste des coiffes de coupe / meuleuses compatibles** pour la liste de meuleuses compatibles avec un boîtier d'engrenages sans clé.

Fig. B

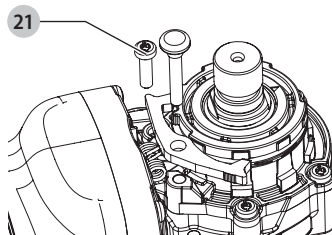
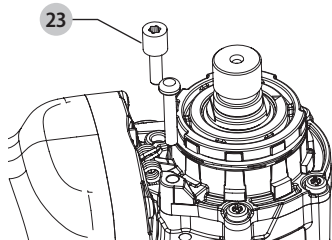
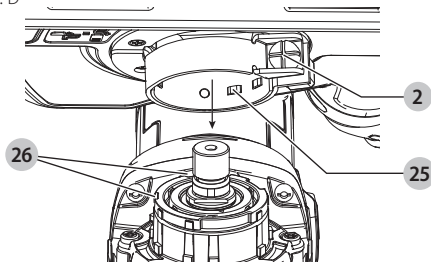


Fig. C



- Appuyez sur le bouton du protecteur avant **7** et le bouton du protecteur latéral **8** en même temps pour ouvrir complètement la coiffe de coupe.
- Dévissez la vis à collet **2** sur la coiffe de coupe et alignez les languettes **25** sur la coiffe de coupe avec les fentes **26** du boîtier d'engrenages de la meuleuse.

Fig. D



- Tournez la coiffe dans la position de travail désirée. La coiffe doit être placée entre la tige et l'utilisateur pour fournir une efficacité optimale.
- Vissez la vis à collet **2** pour sécuriser la coiffe de coupe sur le boîtier d'engrenages. Ne pas utiliser la meuleuse avec une coiffe de coupe déviscée.
- Pour retirer la coiffe de coupe, dévissez la vis à collet, tournez la coiffe de coupe pour aligner les fentes et les languettes et tirez sur la coiffe de coupe.

**REMARQUE :** la coiffe de coupe est ajustée au préalable au diamètre du boîtier d'engrenages à l'usine. Si, après une certaine période, la coiffe de coupe se dévisse, vissez la vis à collet **2**. Ajustez la vis du collier uniquement lorsqu'elle est sur la meuleuse, sinon le collier pourrait être endommagé.

**AVIS :** si la coiffe de coupe ne peut être sécurisée en vissant la vis à collet, ne pas utiliser l'outil. Apportez l'outil et la coiffe de coupe dans un centre de services pour réparer ou remplacer la coiffe de coupe.

## Installer et retirer la coiffe de coupe

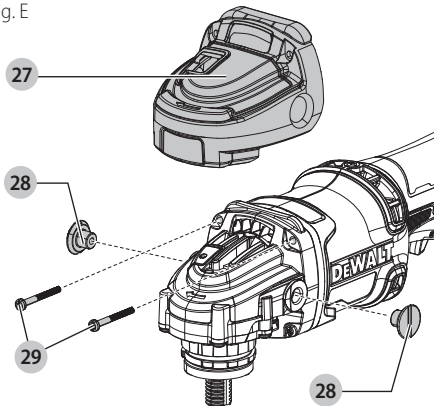
(Fig. E, F)

**DCG440 seulement**

### Dépose du capot de carter (Fig. E)

1. Retirez les deux vis supérieures du carter **29**.
2. Retirez les deux vis latérales du capot de carter **28**.
3. Retirez le capot du carter **27**.
4. Une fois le capot du carter retiré, resserrez fermement les deux vis supérieures du carter **29** en place.

Fig. E

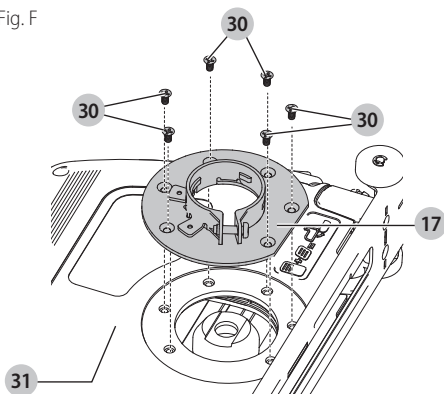


### Retrait et remplacement du collier du carter de coupe (Fig. F)

**DCG440 seulement**

1. Retirez les vis du collier **30** du carter de coupe **31**.
2. Retirez le collier attaché.
3. Placez le collier DCG440 inclus **17** sur le carter de coupe comme indiqué.
4. Serrez fermement toutes les vis du collier.

Fig. F



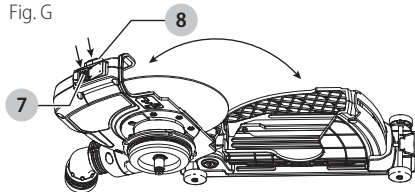
## Installer et utiliser les meules diamantées (coupe) de type 1 (Fig. A, G, H)

**⚠ AVERTISSEMENT :** *seulement les meules diamantées de type 1 doivent être utilisées avec la coiffe de coupe. Ne pas couper le métal. Ne pas utiliser des meules abrasives agglomérées.*

**⚠ ATTENTION :** *ne pas utiliser la coiffe avec les brides de la meuleuse. Utilisez seulement la coiffe avec les brides fournies avec celle-ci.*

1. Lorsque la coiffe de coupe est fixée à la meuleuse, appuyez sur le bouton du protecteur avant **7** et le bouton du protecteur latéral **8** en même temps pour ouvrir complètement la coiffe de coupe.

Fig. G



2. Retirez la bride tournante qui est sur la meuleuse (et gardez-la pour la remettre sur une meuleuse).
3. Installez la bride tournante, **12**, **14**, **15** ou **18** sur la tige **35**.

**IMPORTANT :** le modèle DWE46125 comprend deux ensembles de brides. Consultez le **Tableau de compatibilité des brides/meules** à la fin de cette section pour une utilisation appropriée.

4. Placez la meule **34** sur la bride de verrouillage **11**, **13**, **16** ou **19** et placez les deux sur la tige, contre la bride tournante en centrant la meule sur le centre élevé de la bride tournante.
5. En appuyant sur le bouton de verrouillage de la tige, vissez la bride de verrouillage sur la tige à l'aide d'une clé.
6. Pour retirer la meule, appuyez sur le bouton de blocage de la tige et dévissez la bride de verrouillage.

Fig. H

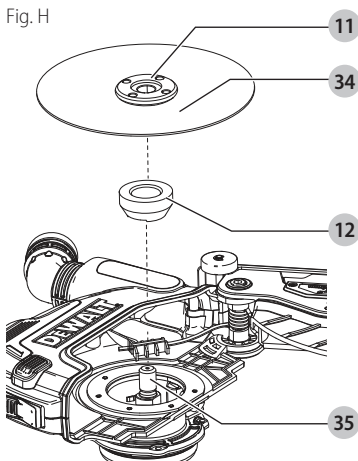


Tableau de compatibilité des brides/meules

Ensemble de brides	Meuleuse
Ensemble de brides courtes (argent) :	DCG405, DCG413
Bride de verrouillage <b>11</b>	
Bride tournante <b>12</b>	
Ensemble de brides longues (noir) :	DWE43214, DWE43214N, DWE43214NVS, DWE43240INOX, DWE43231VS, DWE43244N, DWE43240VS, DWE46253, DWE46202, DWE43265N, DWE43840CN, DWE43113, DWE43115, DWE43115N, DWE43066, DWE43066N, DWE43116, DWE43116N, DWE43114, DWE43114N, DWE43131, DWE43144, DWE43144N, DWE43140, DWE46103, DWE46153, DWE46155, DWE402G, DWE402K, DWE402, DWE402N, DWE4222, DWE4222N, DWE4214, DCG414, DCG415, DCG416, DCG418, DWE4020, DWE4120, DWE4011
Ensemble grande bride (2 rainures) et collet :	DCG440
Bride extérieure <b>19</b>	
Entretoise intérieure <b>18</b>	
Collet <b>17</b>	

Ensemble bride (3 DCG460

rainures) :

Bride extérieure **16**Entretoise intérieure **15**

## Ajustement de la profondeur de la coupe (Fig. A)

- Dévissez le bouton d'ajustement de la profondeur de la coupe **5**.
- Glissez l'ajusteur de la profondeur de la coupe **4** à la position désirée.  
**REMARQUE** : si le protecteur est fermé, appuyez sur le bouton du protecteur avant **7** pour ouvrir le protecteur. Cela facilitera le déplacement de l'ajusteur de la profondeur de la coupe.
- Vissez le bouton d'ajustement de la profondeur de la coupe.

## Dépoussiérage (Fig. A, I)

**⚠ AVERTISSEMENT** : utilisez seulement les outils électriques et les dépoussiéreurs recommandés par DeWALT avec cet accessoire.

Pour de plus amples renseignements sur les outils électriques DeWALT compatibles avec cet accessoire, veuillez contacter votre détaillant local, téléphoner au **1-800-4-DeWALT (1-800-433-9258)** ou visitez notre site Web [www.DeWALT.com](http://www.DeWALT.com).

**⚠ AVERTISSEMENT** : cet accessoire doit être utilisé avec un système de dépoussiérage. Portez TOUJOURS un masque facial de sécurité ou un masque antipoussières certifié.

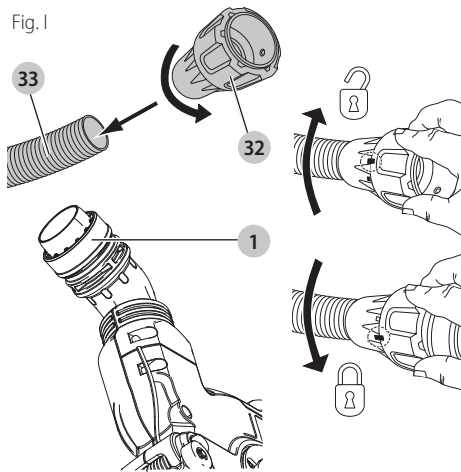
**REMARQUE** : assurez-vous que la connexion du tuyau est sécuritaire.

**REMARQUE** : la quantité de poussière retenue par le dépoussiéreur dépend de son système de filtres. Consultez le guide d'utilisation du dépoussiéreur pour de plus amples renseignements.

Toutes les coiffes de dépoussiérage DeWALT sont conçues pour travailler avec le raccord DWV9000 Air lock™ de DeWALT universel.

- Fixez le raccord DWV9000 **32** au tuyau du collecteur de poussière **33**.
- Déverrouillez le raccord DWV9000 et glissez-le sur l'orifice de poussière **1**.
- Verrouillez le raccord DWV9000 pour le sécuriser.

Fig. I



### Tuyaux de dépoussiéreurs traditionnels

Fixez le tuyau du dépoussiéreur recommandé à l'orifice de poussière ①.

### Retirer et fixer les routes (Fig. J)

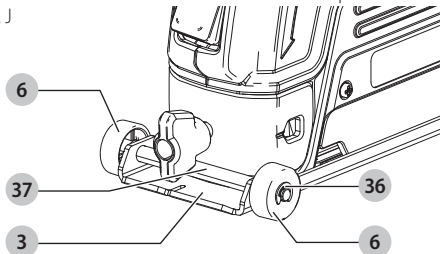
**AVERTISSEMENT :** la coiffe de coupe doit seulement être utilisée (1) lorsque toutes les quatre roues sont fixées et bon état de fonctionnement ou (2) lorsque toutes les quatre roues sont retirées et que la base métallique est en bon état de fonctionnement.

Cette coiffe de coupe est munie de quatre roues amovibles ⑥ sur la base métallique ③ qui peuvent être détachées si elles ne sont pas nécessaires.

1. Retirez les pinces ③⑥ maintenant les roues à la base.
2. Retirez les roues.
3. Retirez l'axe de rotation ③⑦.

Pour fixer les roues à la base, réinsérez l'axe de rotation, glissez les roues sur leurs essieux et fixez les pinces en place. Assurez-vous que toutes les quatre roues sont fixées de façon sécuritaire avant d'utiliser la coiffe de coupe.

Fig. J



### UTILISATION

- AVERTISSEMENT :** pour réduire le risque de blessures graves, éteindre l'outil et retirer le débrancher avant d'effectuer tout réglage et d'enlever ou d'installer tout accessoire. Un démarrage accidentel peut provoquer des blessures.
- AVERTISSEMENT :** pour votre propre sécurité, lisez le guide d'utilisation tant pour la meuleuse que pour le dépoussiéreur avant d'utiliser tout accessoire. Ne pas

suivre ces avertissements peut entraîner une blessure corporelle ou des dommages graves à l'outil ou à l'accessoire. Lorsque vous réparez cet outil, utilisez seulement des pièces de remplacement identiques.

- AVERTISSEMENT :** tenez solidement la poignée latérale et le corps de l'outil afin de maintenir le contrôle de l'outil au démarrage et durant l'utilisation jusqu'à ce que la meule cesse de tourner. Assurez-vous que la meule a complètement cessé de tourner avant de déposer l'outil.
- AVERTISSEMENT :** la coiffe de coupe doit seulement être utilisée (1) lorsque toutes les quatre roues sont fixées et bon état de fonctionnement ou (2) lorsque toutes les quatre roues sont retirées et que la base métallique est en bon état de fonctionnement.

1. Assurez-vous que toutes les instructions d'assemblage et d'ajustements ont été effectuées.
2. Mettez en marche le dépoussiéreur selon le guide d'utilisation du dépoussiéreur.
3. Démarrez la meuleuse selon le guide d'utilisation de l'outil.

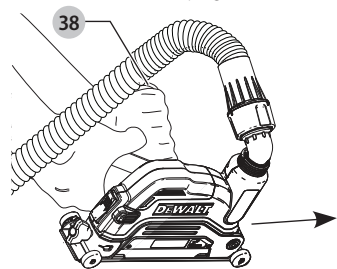
**REMARQUE :** laissez l'outil atteindre sa pleine vitesse avant de le mettre sur la surface de travail.

### Position correcte des mains (Fig. K)

- AVERTISSEMENT :** pour réduire tout risque de dommages corporels graves, adopter **SYSTEMATIQUEMENT** la position des mains illustrée.
- AVERTISSEMENT :** pour réduire tout risque de dommages corporels graves, maintenir **SYSTEMATIQUEMENT** l'outil fermement pour anticiper toute réaction soudaine.

Une position des mains appropriée nécessite une main sur le corps de l'outil et une main sur la poignée latérale ③⑧.

Fig. K




### Jointoiment saillant et coupe (Fig. A, K)

1. Réglez la profondeur désirée de la coupe, consultez **Ajustement de la profondeur de la coupe** sous **Assemblage et ajustements**.
2. Laissez l'outil atteindre sa pleine vitesse avant de le toucher avec la surface de travail.
3. Placez-vous de façon à ce que le bas de la base métallique ③ et la meule soient à l'opposé de vous.
4. Placez la base métallique ③ de la coiffe sur la surface de travail et commencez à couper en plongeant dans la surface de travail. Le protecteur supérieur ⑨ se verrouillera sur le protecteur inférieur ⑩ après la plonge initiale.


**REMARQUE :** gardez la base métallique de la coiffe contre la surface de travail pour assurer une collecte de poussière appropriée.

- Avec la coiffe orientée comme illustré dans la Figure K, poussez la meuleuse vers l'avant le long de la surface de travail ou tirez vers la gauche pour un jointolement saillant.

**REMARQUE :** la meuleuse doit SEULEMENT être utilisée dans la direction indiquée.


- Lorsque vous avez terminé la coupe, éteignez l'outil avant de le retirer de la surface de travail pour limiter l'exposition à la poussière. Laissez l'outil cesser de tourner avant de le déposer.
- Poussez le bouton du protecteur avant  pour libérer le protecteur supérieur, démarrer une nouvelle plongée et couper.


## MAINTENANCE

 **AVERTISSEMENT :** pour réduire le risque de blessures graves, éteindre l'outil et retirer le débrancher avant d'effectuer tout réglage et d'enlever ou d'installer tout accessoire. Un démarrage accidentel peut provoquer des blessures.

Votre outil électrique DEWALT a été conçu pour fonctionner sur une longue période avec un minimum d'entretien. Un fonctionnement satisfaisant continu dépend de l'entretien approprié et d'un nettoyage régulier de l'outil.

## Nettoyage

 **AVERTISSEMENT :** enlever les saletés et la poussière hors des événements au moyen d'air comprimé propre et sec, au moins une fois par semaine. Pour minimiser le risque de blessure aux yeux, toujours porter une protection oculaire conforme à la norme ANSI Z87.1 lors du nettoyage.


 **AVERTISSEMENT :** ne jamais utiliser de solvants ni d'autres produits chimiques puissants pour nettoyer les pièces non métalliques de l'outil. Ces produits chimiques peuvent affaiblir les matériaux de plastique utilisés dans ces pièces. Utiliser un chiffon humecté uniquement d'eau et de savon doux. Ne jamais laisser de liquide pénétrer dans l'outil et n'immerger aucune partie de l'outil dans un liquide.

## Accessoires

 **AVERTISSEMENT :** puisque les accessoires autres que ceux offerts par DEWALT n'ont pas été testés avec ce produit, leur utilisation pourrait s'avérer dangereuse. Pour réduire le risque de blessures, utiliser exclusivement les accessoires DEWALT recommandés avec le présent produit.

Les accessoires recommandés pour cet outil sont vendus séparément au centre de service de votre région. Pour obtenir de l'aide concernant l'achat d'un accessoire, communiquer avec DEWALT Industrial Tool Co., 701 East Joppa Road, Towson, MD 21286 aux États-Unis; composer le **1 800 433-9258 (1 800 4-DEWALT)** ou visiter notre site Web : [www.dewalt.com](http://www.dewalt.com).

## Réparations

 **AVERTISSEMENT :** pour assurer la SÉCURITÉ et la FIABILITÉ du produit, les réparations, l'entretien et les réglages doivent être réalisés (cela comprend l'inspection et le remplacement du balai, le cas échéant) par un centre de réparation en usine DEWALT ou un centre de réparation agréé DEWALT. Toujours utiliser des pièces de rechange identiques.

## Registre en ligne

Merci pour votre achat. Enregistrez dès maintenant votre produit :

- **RÉPARATIONS SOUS GARANTIE :** cette carte remplie vous permettra de vous prévaloir du service de réparations sous garantie de façon plus efficace dans le cas d'un problème avec le produit.
- **CONFIRMATION DE PROPRIÉTÉ :** en cas de perte provoquée par un incendie, une inondation ou un vol, cette preuve de propriété vous servira de preuve auprès de votre compagnie d'assurances.
- **SÉCURITÉ :** l'enregistrement de votre produit nous permettra de communiquer avec vous dans l'éventualité peu probable de l'envoi d'un avis de sécurité régi par la loi fédérale américaine de la protection des consommateurs.

Registre en ligne à [www.dewalt.com/account-login](http://www.dewalt.com/account-login).

## Garantie limitée de trois ans

Pour les conditions de la garantie, consultez le site [www.dewalt.com/support/warranty](http://www.dewalt.com/support/warranty).

Pour demander une copie écrite des conditions de la garantie, contactez : service à la clientèle chez DEWALT Industrial Tool Co., 701 East Joppa Road, Towson, MD 21286 ou appelez le **1-800-4-DEWALT (1-800-433-9258)**.

**AMÉRIQUE LATINE :** la présente garantie ne s'applique pas aux produits vendus en Amérique Latine. Pour les produits vendus en Amérique Latine, consultez les renseignements sur la garantie particulière au pays comprise dans l'emballage, appelez l'entreprise locale ou consultez le site Web pour les renseignements complets sur la garantie.

**REMPLACEMENT DES ÉTIQUETTES D'AVERTISSEMENT GRATUIT :** si vos étiquettes d'avertissement deviennent illisibles ou sont manquantes, appelez au **1-800-4-DEWALT (1-800-433-9258)** pour un remplacement gratuit.

## Definiciones: Símbolos y Palabras de Alerta de Seguridad

Este manual de instrucciones utiliza los siguientes símbolos y palabras de alerta de seguridad para alertarle de situaciones peligrosas y del riesgo de lesiones corporales o daños materiales.

**⚠ PELIGRO:** Indica una situación de peligro inminente que, si no se evita, provocará **la muerte o lesiones graves**.

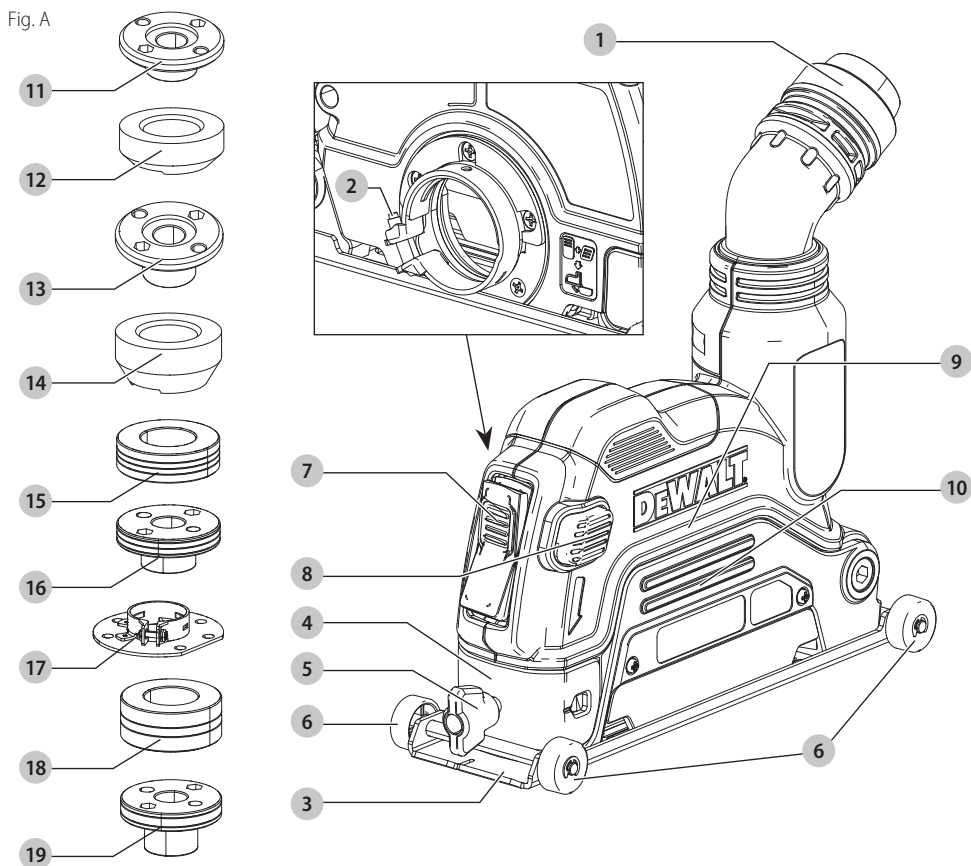
**⚠ ADVERTENCIA:** Indica una situación de peligro potencial que, si no se evita, **podría provocar la muerte o lesiones graves**.

**⚠ ATENCIÓN:** Indica una situación de peligro potencial que, si no se evita, **posiblemente provocaría lesiones leves o moderadas**.

**⚠** (Utilizado sin palabras) indica un mensaje de seguridad relacionado.

**AVISO:** Se refiere a una práctica **no relacionada a lesiones corporales** que de no evitarse **puede resultar en daños a la propiedad**.

Fig. A



1 Puerto de polvo giratorio

2 Tornillo de collar

3 Base de metal

4 Profundidad de ajustador de corte

5 Perilla de ajuste de profundidad de corte

6 Ruedas de guía removibles

7 Botón de protección delantera

8 Botón de protección lateral

9 Protección superior

10 Protección inferior

11 Brida de bloqueo corta (plateada) (sólo DWE46125)

12 Brida de respaldo corta (plateada) (sólo DWE46125)

13 Brida de bloqueo larga (negra)

14 Brida de respaldo larga (negra)

15 Espaciador interior (DCG460 únicamente)

16 Brida exterior (DCG460 únicamente)

17 Collar (DCG440 únicamente)

18 Espaciador interior (DCG440 únicamente)

19 Brida exterior (DCG440 únicamente)



**ADVERTENCIA:** Lea todas las advertencias de seguridad e instrucciones. El incumplimiento de las advertencias e instrucciones puede provocar descargas eléctricas, incendios o lesiones graves.



**ADVERTENCIA:** Para reducir el riesgo de lesiones, lea el manual de instrucciones.

Si tiene alguna duda o algún comentario sobre ésta u otra herramienta DEWALT, llámenos al número gratuito: 1-800-4-DEWALT (1-800-433-9258).

## ADVERTENCIAS GENERALES DE SEGURIDAD PARA HERRAMIENTAS ELÉCTRICAS



**ADVERTENCIA:** Lea todas las advertencias de seguridad, instrucciones, ilustraciones y especificaciones incluidas con esta herramienta eléctrica. La falla en seguir todas las instrucciones siguientes puede resultar en descarga eléctrica, incendio y/o lesiones serias.



**ADVERTENCIA:** Por su propia seguridad, lea el manual de instrucciones de la esmeriladora antes de usar cualquier accesorio. La falla en seguir estas advertencias puede resultar en lesiones personales y daño serio a la herramienta y al accesorio.

## CONSERVE TODAS LAS ADVERTENCIAS E INSTRUCCIONES PARA FUTURAS CONSULTAS

El término "herramienta eléctrica" incluido en las advertencias hace referencia a las herramientas eléctricas operadas con corriente (con cable eléctrico) o a las herramientas eléctricas operadas con baterías (inalámbricas).

### 1) Seguridad en el Área de Trabajo

- Mantenga el área de trabajo limpia y bien iluminada.** Las áreas abarrotadas y oscuras propician accidentes.
- No opere las herramientas eléctricas en atmósferas explosivas, como ambientes donde haya polvo, gases o líquidos inflamables.** Las herramientas eléctricas originan chispas que pueden encender el polvo o los vapores.
- Mantenga alejados a los niños y a los espectadores de la herramienta eléctrica en funcionamiento.** Las distracciones pueden provocar la pérdida de control.

### 2) Seguridad Eléctrica

- Los enchufes de la herramienta eléctrica deben adaptarse al tomacorriente. Nunca modifique el enchufe de ninguna manera. No utilice ningún enchufe adaptador con herramientas eléctricas con conexión a tierra.** Los enchufes no modificados y que se adaptan a los tomacorrientes reducirán el riesgo de descarga eléctrica.
- Evite el contacto corporal con superficies con descargas a tierra como, por ejemplo, tuberías, radiadores, cocinas eléctricas y refrigeradores.**

Existe mayor riesgo de descarga eléctrica si su cuerpo está puesto a tierra.

- No exponga las herramientas eléctricas a la lluvia o a condiciones de humedad.** Si entra agua a una herramienta eléctrica, aumentará el riesgo de descarga eléctrica.
- No maltrate el cable. Nunca utilice el cable para transportar, tirar o desenchufar la herramienta eléctrica. Mantenga el cable alejado del calor, el aceite, los bordes filosos y las piezas móviles.** Los cables dañados o enredados aumentan el riesgo de descarga eléctrica.
- Al operar una herramienta eléctrica en el exterior, utilice un cable prolongador adecuado para tal uso.** Utilice un cable adecuado para uso en exteriores a fin de reducir el riesgo de descarga eléctrica.
- Si el uso de una herramienta eléctrica en un lugar húmedo es imposible de evitar, utilice un suministro protegido con un interruptor de circuito por falla a tierra (GFCI).** El uso de un GFCI reduce el riesgo de descargas eléctricas.

### 3) Seguridad Personal

- Permanezca alerta, controle lo que está haciendo y utilice el sentido común cuando emplee una herramienta eléctrica. No utilice una herramienta eléctrica si está cansado o bajo el efecto de drogas, alcohol o medicamentos.** Un momento de descuido mientras se opera una herramienta eléctrica puede provocar lesiones personales graves.
- Utilice equipos de protección personal. Siempre utilice protección para los ojos.** En las condiciones adecuadas, el uso de equipos de protección, como máscaras para polvo, calzado de seguridad antideslizante, cascos o protección auditiva, reducirá las lesiones personales.
- Evite el encendido por accidente. Asegúrese de que el interruptor esté en la posición de apagado antes de conectarlo a la fuente de energía o paquete de baterías, o antes de levantar o transportar la herramienta.** Transportar herramientas eléctricas con el dedo apoyado en el interruptor o enchufar herramientas eléctricas con el interruptor en la posición de encendido puede propiciar accidentes.
- Retire la clavija de ajuste o la llave de tuercas antes de encender la herramienta eléctrica.** Una llave de tuercas o una clavija de ajuste que quede conectada a una pieza giratoria de la herramienta eléctrica puede provocar lesiones personales.
- No se estire. Conserve el equilibrio y párese adecuadamente en todo momento.** Esto permite un mejor control de la herramienta eléctrica en situaciones inesperadas.
- Use la vestimenta adecuada. No use ropas holgadas ni joyas. Mantenga el cabello, la ropa y los guantes alejados de las piezas en**

**movimiento.** Las ropas holgadas, las joyas o el cabello largo pueden quedar atrapados en las piezas en movimiento.

- g) **Si se suministran dispositivos para la conexión de accesorios con fines de recolección y extracción de polvo, asegúrese de que estén conectados y que se utilicen correctamente.** El uso de dispositivos de recolección de polvo puede reducir los peligros relacionados con el polvo.
- h) **No permita que la familiaridad obtenida a partir del uso frecuente de herramientas le permitan volverse descuidado e ignorar los principios de seguridad de la herramienta.** Una acción descuidada puede causar lesiones severas en una fracción de segundo.

#### 4) Uso y Mantenimiento de la Herramienta Eléctrica

- a) **No fuerce la herramienta eléctrica. Utilice la herramienta eléctrica correcta para el trabajo que realizará.** Si se la utiliza a la velocidad para la que fue diseñada, la herramienta eléctrica correcta permite trabajar mejor y de manera más segura.
- b) **No utilice la herramienta eléctrica si no puede encenderla o apagarla con el interruptor.** Toda herramienta eléctrica que no pueda ser controlada mediante el interruptor es peligrosa y debe repararse.
- c) **Desconecte el enchufe de la fuente de alimentación y/o retire la batería, o paquete si es desmontable, de la herramienta eléctrica antes de realizar cualquier ajuste, cambiar accesorios o almacenar herramientas eléctricas.** Estas medidas de seguridad preventivas reducen el riesgo de encender la herramienta eléctrica en forma accidental.
- d) **Guarde la herramienta eléctrica que no esté en uso fuera del alcance de los niños y no permita que otras personas no familiarizadas con ella o con estas instrucciones operen la herramienta.** Las herramientas eléctricas son peligrosas si son operadas por usuarios no capacitados.
- e) **Dé mantenimiento a las herramientas eléctricas y accesorios. Revise que no haya piezas en movimiento mal alineadas o trabadas, piezas rotas o cualquier otra situación que pueda afectar el funcionamiento de la herramienta eléctrica. Si encuentra daños, haga reparar la herramienta eléctrica antes de utilizarla.** Se producen muchos accidentes a causa de las herramientas eléctricas que carecen de un mantenimiento adecuado.
- f) **Mantenga las herramientas de corte afiladas y limpias.** Las herramientas de corte con mantenimiento adecuado y con los bordes de corte afilados son menos propensas a trabarse y son más fáciles de controlar.
- g) **Utilice la herramienta eléctrica, los accesorios y las brocas de la herramienta, etc. de acuerdo con estas instrucciones y teniendo en cuenta**

**las condiciones de trabajo y el trabajo que debe realizarse.** El uso de la herramienta eléctrica para operaciones diferentes de aquéllas para las que fue diseñada podría originar una situación peligrosa.

- h) **Mantenga las manijas y superficies de sujeción secas, limpias y libres de aceite y grasa.** Las manijas y superficies de sujeción resbalosas no permiten el manejo y control seguros de la herramienta en situaciones inesperadas.

#### 5) Mantenimiento

- a) **Solicite a una persona calificada en reparaciones que realice el mantenimiento de su herramienta eléctrica y que sólo utilice piezas de repuesto idénticas.** Esto garantizará la seguridad de la herramienta eléctrica.

#### Reglas de Seguridad Adicionales para Rejuntar

- **No utilice accesorios que no estén diseñados y recomendados específicamente por el fabricante de la herramienta.** El hecho de que el accesorio pueda acoplarse a la herramienta eléctrica no garantiza un funcionamiento sin riesgos.
- **La velocidad prevista del accesorio debe ser como mínimo igual a la velocidad máxima marcada en la herramienta eléctrica.** Los accesorios operados a velocidades superiores a su velocidad nominal pueden romperse y salir despedidos.
- **El diámetro externo y el grosor del accesorio deben estar dentro de la capacidad de su herramienta eléctrica.** Los accesorios de tamaños incorrectos no pueden ser protegidos o controlados adecuadamente.
- **El tamaño del eje de los discos, las bridas, almohadillas de respaldo o cualquier otro accesorio debe acoplarse bien al eje de la herramienta eléctrica.** Los accesorios que tienen orificios para montaje en eje que no se corresponden con los accesorios de montaje de la herramienta eléctrica harán que la herramienta pierda el equilibrio, vibre excesivamente y que el operador pierda el control de la herramienta.
- **El cubierta debe ir firmemente ajustado a la herramienta eléctrica y en posición para el máximo de seguridad, de modo que se exponga la menor parte posible del disco al operador.** El cubierta ayuda a proteger al operador de los fragmentos despedidos por discos rotos y el contacto accidental con el disco.
- **Sostenga la herramienta eléctrica solamente en superficies de agarre aisladas cuando realice una operación en la cual el accesorio para cortar pudiera entrar en contacto con instalaciones eléctricas ocultas o su propio cable.** El contacto de los accesorios de corte con un cable cargado, puede cargar las partes metálicas expuestas de la herramienta eléctrica y producir una descarga eléctrica al operador.
- **Siempre use el mango lateral. Apriete con firmeza el mango.** Se debe utilizar siempre el mango lateral para mantener el control de la herramienta en todo momento.



- **No utilice un accesorio dañado.** Antes de cada uso inspeccione el accesorio, como por ejemplo el disco de diamante, para verificar si tiene muescas o grietas, la almohadilla de respaldo para verificar si tiene grietas o roturas o si está muy desgastada. Si la herramienta o el accesorio se cae accidentalmente, revise que no esté dañado o, si es necesario, cambie el accesorio por uno que no esté dañado. Después de inspeccionar e instalar un accesorio, colóquense usted y las personas presentes alejados del plano del accesorio en movimiento y ponga la herramienta eléctrica en funcionamiento a la velocidad sin carga máxima durante un minuto. Si el accesorio está dañado, normalmente se terminará de romper durante este período de prueba.
  - **NO lije o corte metal con este aro de refuerzo.**
  - **Póngase un equipo de protección personal.** Dependiendo de la aplicación, use un protector facial y gafas protectoras. Si corresponde, póngase una mascarilla antipolvo, protectores para el oído, guantes y un delantal de trabajo que pueda detener pequeños fragmentos abrasivos o de la pieza de trabajo. La protección ocular utilizada debe ser capaz de detener desechos despedidos por las diversas operaciones realizadas con la herramienta. La máscara antipolvo o el respirador debe poder filtrar partículas generadas por la operación realizada. La exposición prolongada a ruidos de alta intensidad puede causar pérdida auditiva.
  - **No "atasque" el disco de corte ni aplique excesiva presión. No intente hacer un corte de profundidad excesiva.** El ejercer demasiada presión sobre el disco aumenta la carga y la susceptibilidad de giro o bloqueo del disco en el corte.
  - **Coloque el cable lejos del accesorio rotativo.** Si pierde el control, el cable puede cortarse o engancharse y puede arrastrar a la mano o el brazo hacia el accesorio rotativo.
  - **Nunca suelte la herramienta hasta que el accesorio haya dejado de girar totalmente.** El accesorio rotativo puede aferrarse a la superficie y tirar de la herramienta, haciéndole perder el control de la misma.
  - **No ponga en funcionamiento la herramienta eléctrica mientras la transporte a su lado.** El contacto accidental con el accesorio rotativo podría enganchar su ropa y tirar del accesorio hacia su cuerpo.
  - **Limpie periódicamente los orificios de ventilación de la herramienta eléctrica.** El ventilador del motor atraerá el polvo dentro de la caja protectora y la acumulación excesiva del metal en polvo puede ocasionar riesgos eléctricos.
  - **No utilice la herramienta eléctrica cerca de materiales inflamables.** Las chispas podrían prender fuego a estos materiales.
  - **No utilice accesorios que requieran líquidos refrigerantes.** El utilizar agua u otros refrigerantes líquidos puede ocasionar electrocución o descarga.
  - **NO use ruedas abrasivas adhesivas.** Sólo use ruedas recubiertas de Diamante Tipo 1.
  - **SIEMPRE use con un recolector de polvo.** El recolector de polvo debe proporcionar por lo menos 150 pies cúbicos por minuto (cfm) de flujo de aire y tener un filtro con 99% o mayor eficiencia para partículas respirables y un pre-separador ciclónico o mecanismo de limpieza de filtro.
  - **Opere y mantenga la herramienta de acuerdo con las instrucciones del fabricante para minimizar las emisiones de polvo.**
- ⚠ ADVERTENCIA:** Cuando no la utilice, coloque la esmeriladora en una superficie estable donde no pueda moverse de manera accidental, deslizarse ni provocar tropezones o caídas. Puede resultar en lesiones corporales serias.

## Causas del Retroceso y su Prevención por Parte del Operador

El retroceso es una reacción repentina al pellizco o atascamiento de un disco giratorio, una almohadilla de respaldo, un cepillo o cualquier otro accesorio. El pellizco o el atascamiento hacen que el accesorio giratorio se trabé rápidamente, lo que a su vez provoca que la herramienta eléctrica fuera de control vaya en sentido opuesto al giro del accesorio en el punto del atascamiento.

Por ejemplo, si un disco de diamante se atasca o se engancha en la pieza de trabajo, el borde del disco que está entrando al punto de atasco puede penetrar la superficie del material y hacer que el disco rebote o patee. La rueda puede saltar hacia o lejos del operador, dependiendo de la dirección del movimiento de la rueda en el punto de atrapamiento con una rueda recubierta de diamante que esté diseñada para la aplicación.

El retroceso es el resultado de un mal uso de la herramienta o de condiciones o procedimientos operativos incorrectos y se puede evitar tomando las precauciones apropiadas que se indican a continuación:

- a) **Sostenga la herramienta eléctrica con firmeza y ubique el cuerpo y el brazo para poder resistir las fuerzas de retroceso. Siempre utilice el mango lateral, en caso de tenerlo, para lograr el máximo control sobre el retroceso o la reacción de torsión durante el encendido.** El operador puede controlar la reacción de torsión o las fuerzas de retroceso si toma las precauciones adecuadas.
- b) **Nunca coloque la mano cerca del accesorio giratorio, ya que éste puede hacer un retroceso sobre la mano.**
- c) **No ubique el cuerpo en el área hacia donde la herramienta eléctrica se desplazará si se produce un retroceso.** El retroceso impulsará la herramienta en la dirección opuesta al movimiento del disco en el punto de atascamiento.
- d) **Tenga especial cuidado al trabajar en esquinas, bordes filosos, etc. Evite hacer rebotar o enganchar el accesorio.** Las esquinas, los bordes filosos y el rebote tienden a enganchar el accesorio giratorio y producir la pérdida de control o el retroceso de la unidad.

e) **No sujete una cadena de sierra, cuchilla de tallado de madera, rueda de diamante segmentada con un espacio periférico mayor a 10 mm o cuchilla de sierra dentada.** Tales cuchillas crean retrocesos frecuentes y pérdida de control.



**ATENCIÓN:** Cuando no esté en uso, guarde la herramienta apoyada en un costado sobre una superficie estable, donde no interrumpa el paso o provoque una caída. Algunas herramientas con paquetes de baterías de gran tamaño pueden colocarse paradas sobre el paquete de baterías, pero pueden caerse fácilmente.

### Instrucción Adicional de Seguridad



**ADVERTENCIA:** Nunca modifique la herramienta eléctrica, ni tampoco ninguna de sus piezas. Podría producir lesiones corporales o daños.



**ADVERTENCIA:** Use **SIEMPRE** lentes de seguridad. Los anteojos de diario NO SON lentes de seguridad. Utilice además una cubrebocas o mascarilla antipolvo si la operación de corte genera demasiado polvo. SIEMPRE LLEVE EQUIPO DE SEGURIDAD CERTIFICADO:

- protección ocular ANSI Z87.1 (CAN/CSA Z94.3),
- protección auditiva ANSI S12.6 (S3.19),
- protección respiratoria NIOSH/OSHA/MSHA.



**ADVERTENCIA:** Algunas partículas de polvo generadas al lijar, serrar, esmerilar y taladrar con herramientas eléctricas, así como al realizar otras actividades de construcción, contienen químicos que el Estado de California sabe que pueden producir cáncer, defectos congénitos u otras afecciones reproductivas. Ejemplos de estos químicos son:

- plomo de algunas pinturas en base a plomo,
- polvo de sílice proveniente de ladrillos y cemento y otros productos de albañilería, y
- arsénico y cromo provenientes de madera tratada químicamente.

Su riesgo de exposición a estos químicos varía, dependiendo de la frecuencia con la cual realiza usted este tipo de trabajo. Para reducir su exposición a estas sustancias químicas: trabaje en una zona bien ventilada y llevando equipos de seguridad aprobados, como mascarillas antipolvo especialmente diseñadas para filtrar partículas microscópicas.

- **Evite el contacto prolongado con polvo generado por el lijado, aserrado, pulido, taladrado y otras actividades de construcción. Vista ropas protectoras y lave las áreas de la piel expuestas con agua y jabón.** Si permite que el polvo se introduzca en la boca u ojos o quede sobre la piel, puede favorecer la absorción de productos químicos peligrosos.



**ADVERTENCIA:** La utilización de esta herramienta puede generar polvo o dispersarlo, lo que podría causar daños graves y permanentes al sistema respiratorio, así como otras lesiones. Siempre use protección respiratoria aprobada por NIOSH (Instituto Nacional de Seguridad y Salud en el Trabajo) u OSHA (Administración de Seguridad y Salud en el Trabajo) apropiada para la exposición al polvo. Dirija las partículas en dirección contraria a la cara y el cuerpo.



**ADVERTENCIA:** Siempre lleve la debida protección auditiva personal en conformidad con ANSI S12.6 (S3.19) durante el uso de esta herramienta. Bajo algunas condiciones y duraciones de uso, el ruido producido por este producto puede contribuir a la pérdida auditiva.

- **Los orificios de ventilación suelen cubrir piezas en movimiento, por lo que también se deben evitar.** Las piezas en movimiento pueden atrapar prendas de vestir sueltas, joyas o el cabello largo.
- **Los hilos del alargador deben ser de un calibre apropiado (AWG o American Wire Gauge) para su seguridad.** Mientras menor sea el calibre del hilo, mayor la capacidad del cable. Es decir, un hilo calibre 16 tiene mayor capacidad que uno de 18. Un cable de un calibre insuficiente causará una caída en la tensión de la línea dando por resultado una pérdida de energía y sobrecalentamiento. Cuando se utilice más de un alargador para completar el largo total, asegúrese que los hilos de cada alargador tengan el calibre mínimo. La tabla siguiente muestra el tamaño correcto a utilizar, dependiendo de la longitud del cable y del amperaje nominal de la placa de identificación. Si tiene dudas sobre cuál calibre usar, use un calibre mayor. Cuanto menor sea el número del calibre, más resistente será el cable.

Calibre mínimo de conjuntos de cables

Voltios	Longitud total del cable en pies (metros)					
	120 V	25 (7,6)	50 (15,2)	100 (30,5)	150 (45,7)	
240 V	50 (15,2)	100 (30,5)	200 (61,0)	300 (91,4)		
Amperaje nominal Más de Más de	AWG					
	0	6	18	16	16	14
	6	10	18	16	14	12
	10	12	16	16	14	12
	12	16	14	12	No recomendado	



**ADVERTENCIA:** Si el enchufe o el cable de alimentación están dañados lo debe reemplazar el fabricante o su representante o por una persona igualmente calificada para evitar peligro.

La etiqueta de su herramienta puede incluir los siguientes símbolos. A continuación se indican los símbolos y sus definiciones:

- V ..... voltios
- Hz ..... hertz
- min ..... minutos
- — — — — CD ..... corriente directa
- Ⓢ ..... Construcción de Clase I (tierra)
- ... /min ..... por minuto
- BPM ..... golpes por minuto
- IPM ..... impactos por minuto
- RPM ..... revoluciones por minuto
- sfp ..... pies de superficie por minuto
- SPM ..... pasadas por minuto
- A ..... amperios
- W ..... vatios
- ~ o CA ..... corriente alterna
- ⌚ o CA/CD ..... corriente alterna o directa
- Ⓢ ..... Construcción de Clase II (doble aislamiento)
- n<sub>0</sub> ..... velocidad sin carga

- n ..... velocidad nominal
- ☹ ..... terminal de conexión a tierra
- ⚠ ..... símbolo de advertencia de seguridad
- ☠ ..... radiación visible
- ☹ ..... protección respiratoria
- 👁 ..... protección ocular
- 👂 ..... protección auditiva
- 📄 ..... lea toda la documentación

**GUARDE ESTAS INSTRUCCIONES PARA VOLVER A CONSULTAR EN EL FUTURO**

**Uso Debido**

Su aro de refuerzo de corte ha sido diseñado para corte de concreto y mampostería o piedra profesional, o aplicaciones de punto de plegado con una rueda recubierta de diamante que esté diseñada para la aplicación. No está diseñada para usarse con metal o madera. Usando la aspiradora adecuada para la esmeriladora, la rueda y el extractor de polvo, se puede usar para eliminar la gran mayoría del polvo estático y en el aire que, sin el uso de la cubierta de corte, podría contaminar el entorno de trabajo o presentar un mayor riesgo para la salud del operador y las personas proximidad. **NO** utilice la herramienta en condiciones de humedad o en presencia de líquidos o gases inflamables.

La cubierta de corte es una herramienta profesional.

**NO** permita que los niños toquen la herramienta. Si el operador no tiene experiencia operando esta herramienta, su uso deberá ser supervisado.

**Lista de Compatibilidad de Cubierta de Corte/Lijadora**

**DWE46125**

Caja de engranes sin llave: DWE43214, DWE43214N, DWE43214NVS, DWE43240INOX, DWE43231VS, DWE43244N, DWE43240VS, DWE46253, DWE46202, DWE43265N, DWE43840CN

DWE43113, DWE43115, DWE43115N, DWE43066, DWE43066N, DWE43116, DWE43116N, DWE43114, DWE43114N, DWE43131, DWE43144, DWE43144N, DWE43140, DWE46103, DWE46153, DWE46155

DWE402G, DWE402K, DWE402, DWE402N

DWE4222, DWE4222N, DWE4214

DWE4020, DWE4120, DWE4011

DCG413, DCG414, DCG414, DCG415, DCG416, DCG418

**DWE46127**

DWE4517, DWE4519, DWE4557, DWE4559N, DWE4559CN, D28499X, DWE4597, DWE4597N, DWE4599N, DCG440, DCG460

**NOTA:** DWE46125 sólo se debe usar con accesorios de 115 mm (4,5") o 125 mm (5"). DWE46127 sólo se debe usar con accesorios de 180 mm (7").

**MONTAJE Y AJUSTES**

**⚠ ADVERTENCIA:** Para reducir el riesgo de lesiones personales graves, apague la herramienta y desconéctela de la fuente de alimentación antes de realizar ajustes o de retirar/instalar

**dispositivos o accesorios.** Un arranque accidental podría causar lesiones.

**Montaje y Desinstalación de Cubierta de Corte (Fig. A–D)**

1. Siga las instrucciones de montaje y desinstalación de la protección en el manual de la herramienta para retirar la protección de la esmeriladora. Conserve las partes originales de su esmeriladora para volver a ensamblar la protección de la esmeriladora.
2. Para montar la caperuz protectora DWE46125 en una caja de engranajes sin llave, saque el tornillo **21** como se muestra en la Figura B.
3. Inserte el tornillo **23** suministrado como se muestra en la Figura C. Luego monte la cubierta de corte. Consulte la **Lista de Compatibilidad de Cubierta de Corte / Lijadora** respecto a la lista de lijadoras compatibles con una caja de engranes sin llave.

Fig. B

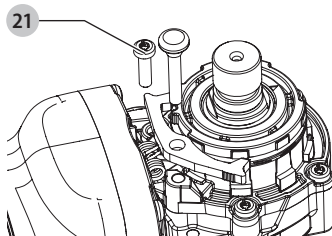
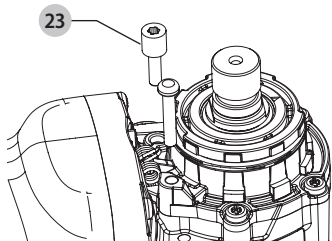
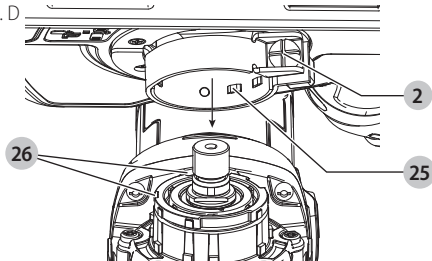


Fig. C



4. Presione el botón de la protección frontal **7** y el botón de protección lateral **8** al mismo tiempo para abrir completamente la cubierta de corte.
5. Afloje el tornillo del collar **2** en la cubierta de corte y alinee las lengüetas **25** sobre la cubierta de corte con las ranuras **26** sobre la caja de engranaje de la esmeriladora.

Fig. D



- Gire la cubierta en la posición de operación deseada. La cubierta se debe colocar entre el husillo y el operador para proporcionar una eficiencia óptima.
- Apriete el tornillo del collar 2 para asegurar la cubierta de corte sobre la caja de engranaje. No opere la esmeriladora con una cubierta de corte suelta.
- Para retirar la cubierta de corte, afloje el tornillo del collar, gire la cubierta de corte para alinear las ranuras y jale hacia arriba sobre la cubierta de corte.

**NOTA:** La cubierta de corte está pre-ajustada al diámetro del cubo de la caja de engranaje en la fábrica. Si, después de un periodo de tiempo, la cubierta de corte se suelta, apriete el tornillo del collar 2. Ajuste el tornillo del collar sólo cuando esté en la amoladora, de lo contrario el collar podría dañarse.

**AVISO:** Si la cubierta de corte no se puede asegurar apretando el tornillo del collar, no use la herramienta. Lleve la herramienta y la cubierta de corte a un centro de servicio para reparar o reemplazar la cubierta de corte.

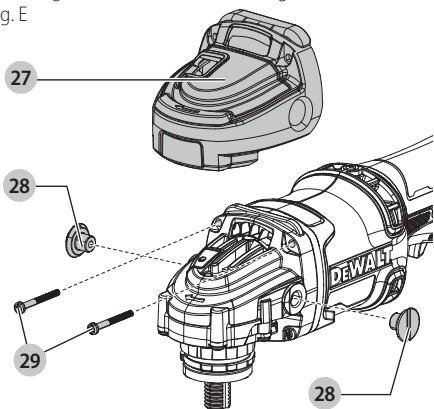
## Montaje y Desinstalación de Cubierta de Corte (Fig. E, F)

DCG440 únicamente

### Desinstalación de cubierta de caja de engranes (Fig. E)

- Retire los dos tornillos superiores de la caja de engranes 29.
- Retire los dos tornillos laterales de la cubierta de la caja de engranes 28.
- Retire la cubierta de la caja de engranes 27.
- Después que se retire la cubierta de la caja de engranes, apriete con firmeza los dos tornillos superiores de la caja de engranes 29 de nuevo en su lugar.

Fig. E

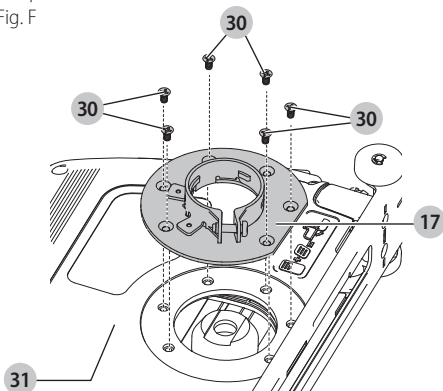


## Desinstalación y reemplazo de collar de aro de refuerzo de corte (Fig. F)

DCG440 únicamente

- Retire los tornillos de collar 30 del aro de refuerzo de corte 31.
- Retire el collar conectado.
- Coloque el collar DCG440 incluido 17 en el aro de refuerzo de corte como se muestra.
- Apriete firmemente todos los tornillos del collar.

Fig. F



## Montaje y uso de ruedas de diamante

### Tipo 1 (Corte) (Fig. A, G, H)



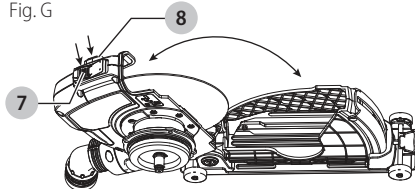
**ADVERTENCIA:** Sólo se deberán usar Ruedas de diamante Tipo 1 con la cubierta de corte. No corte metal. No use con ruedas abrasivas adheridas.



**ATENCIÓN:** No use el aro de refuerzo con las bridas de la esmeriladora. Sólo use el aro de refuerzo con las bridas provistas con éste.

- Con la cubierta de corte conectada a la esmeriladora, presione el botón de la protección frontal 7 y el botón de protección lateral 8 al mismo tiempo para abrir completamente la cubierta de corte.

Fig. G



- Retire la brida de respaldo que está en la lijadora (y consérvela para conversión de nuevo en una lijadora).
- Instale la brida de respaldo, 12, 14, 15, o 18 en el husillo 35.

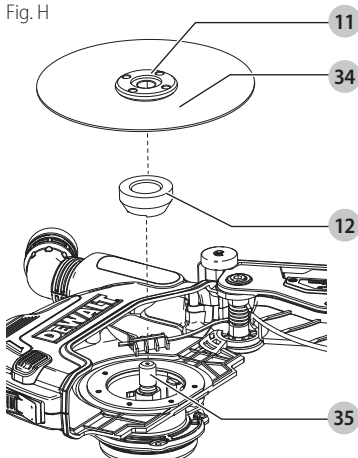
**IMPORTANTE:** DWE46125 incluye dos juegos de bridas. Consulte **Tabla de compatibilidad de brida/esmeriladora** al final de esta sección para el uso apropiado.

- Coloque la rueda 34 en la brida de bloqueo 11, 13, 16, o 19 y coloque ambas sobre el husillo, contra

la brida de respaldo, centrando la rueda en el centro elevado de la brida de respaldo.

- Mientras presiona el botón de bloqueo de husillo, apriete la brida de bloqueo con una llave.
- Para retirar la rueda, presione el botón de bloqueo del husillo y afloje la brida de bloqueo.

Fig. H



- Brida grande (2 ranuras) y juego de collar: DCG440
- Brida exterior **19**
- Espaciador interior **18**
- Collar **17**

- Juego de brida media (3 ranuras): DCG460
- Brida exterior **16**
- Espaciador interior **15**

### Ajuste de Profundidad de Corte (Fig. A)

- Afloje la perilla de ajuste de profundidad de corte **5**.
- Deslice el ajustador de profundidad de corte **4** a la posición deseada.

**NOTA:** Si la protección está cerrada, presione el botón de la protección delantera **7** para abrir la protección. Esto hará más fácil mover la profundidad del ajustador de corte.

- Apriete la perilla de ajuste de profundidad de corte.

### Extracción de Polvo (Fig. A, I)



**ADVERTENCIA:** Sólo use herramientas eléctricas y extractores de polvo recomendados por DeWALT con este accesorio.

Para más información sobre las herramientas eléctricas DeWALT compatibles con este accesorio, por favor póngase en contacto con su distribuidor local, llame al **1-800-4-DeWALT (1-800-433-9258)** o visite nuestra página Web [www.DeWALT.com](http://www.DeWALT.com).



**ADVERTENCIA:** Este accesorio se debe usar con un sistema de extractor de polvo. SIEMPRE use una careta certificada o máscara de polvo apropiada.

**NOTA:** Garantice que la conexión de la manguera esté segura.

**NOTA:** La cantidad de polvo retenida por la aspiradora del extractor de polvo depende de su sistema de filtro. Consulte el manual de instrucciones de la aspiradora del extractor de polvo para más información.

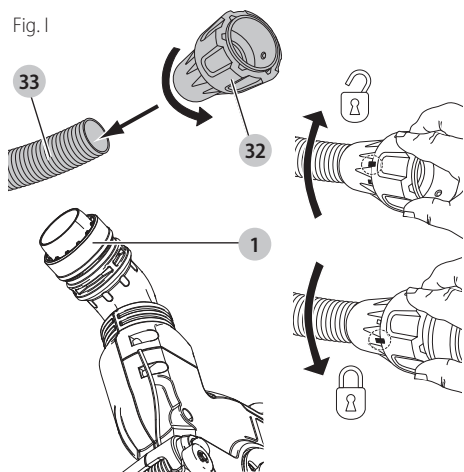
Todas las cubiertas de recolección de polvo DeWALT están diseñadas para funcionar con el conector universal DWV9000 Air lock™ DeWALT.

- Conecte el conector DWV9000 **32** a su manguera de recolector de polvo **33**.
- Desbloquee el conector DWV9000 y deslice sobre el puerto de polvo **1**.
- Bloquee el conector DWV9000 para asegurar.

Tabla de Compatibilidad de Brida/Esmeriladora

Juego de brida	Pulidora
Juego de brida corta (plateada): Brida de bloqueo <b>11</b> Brida de respaldo <b>12</b>	DCG405, DCG413
Juego de brida larga (negra): Brida de bloqueo <b>13</b> Brida de respaldo <b>14</b>	DWE43214, DWE43214N, DWE43214NVS, DWE43240INOX, DWE43231VS, DWE43244N, DWE43240VS, DWE46253, DWE46202, DWE43265N, DWE43840CN DWE43113, DWE43115, DWE43115N, DWE43066, DWE43066N, DWE43116, DWE43116N, DWE43114, DWE43114N, DWE43131, DWE43144, DWE43144N, DWE43140, DWE46103, DWE46153, DWE46155 DWE402G, DWE402K, DWE402, DWE402N DWE4222, DWE4222N, DWE4214 DCG414, DCG415, DCG416, DCG418 DWE4020, DWE4120, DWE4011

Fig. I



## Mangueras de Aspiradora de Extractor de Polvo Tradicional

Conecte la manguera de aspiradora de extractor de polvo recomendada al puerto de polvo 1.

## Desinstalación e Instalación de Ruedas (Fig. J)

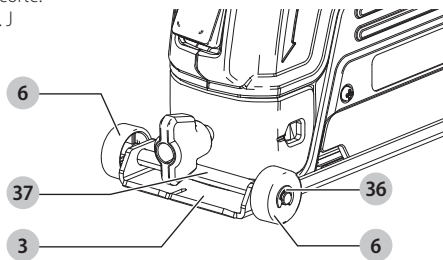
**ADVERTENCIA:** El aro de refuerzo de corte sólo se debe usar (1) cuando las cuatro ruedas estén conectadas y en buenas condiciones de operación o (2) cuando las cuatro ruedas estén retiradas y la base de metal esté en buenas condiciones de operación.

Esta cubierta de corte incluye cuatro ruedas removibles 6 en la base de metal 3 que se pueden desconectar si no se necesitan.

1. Retire los sujetadores 36 que sujetan las ruedas a la base.
2. Retire las ruedas.
3. Retire el pasador de pivote 37.

Para conectar las ruedas a la base, reinserte el pasador de pivote, deslice las ruedas en sus ejes y asegure los sujetadores en su lugar. Asegúrese que las cuatro ruedas estén conectadas firmemente antes de usar la cubierta de corte.

Fig. J



## OPERACIÓN

**ADVERTENCIA:** Para reducir el riesgo de lesiones personales graves, apague la herramienta y desconéctela de la fuente de alimentación

antes de realizar ajustes o de retirar/instalar dispositivos o accesorios. Un arranque accidental podría causar lesiones.

**ADVERTENCIA:** Por su propia seguridad, lea el manual de instrucciones para la esmeriladora y la aspiradora del extractor de polvo antes de usar cualquier accesorio. La falla en seguir estas advertencias puede resultar en lesiones personales y daño serio a la herramienta y al accesorio. Al dar servicio a esta herramienta, utilice únicamente partes de repuesto idénticas.

**ADVERTENCIA:** Sostenga firmemente la manija y el cuerpo de la herramienta para mantener el control de la herramienta durante el arranque y durante el uso y hasta que la rueda deje de girar. Asegúrese que el disco se haya detenido por completo antes de bajar la herramienta.

**ADVERTENCIA:** El aro de refuerzo de corte sólo se debe usar (1) cuando las cuatro ruedas estén conectadas y en buenas condiciones de operación o (2) cuando las cuatro ruedas estén retiradas y la base de metal esté en buenas condiciones de operación.

1. Asegúrese que se hayan completado todas las instrucciones de ensamble y ajuste.
2. Encienda la aspiradora del extractor de polvo como se indica en el manual de instrucciones de la aspiradora del extractor de polvo.
3. Arranque la esmeriladora como se indica en el manual de instrucciones de la herramienta.

**NOTA:** Permita que la herramienta alcance la velocidad completa antes de aplicar a la superficie de trabajo.

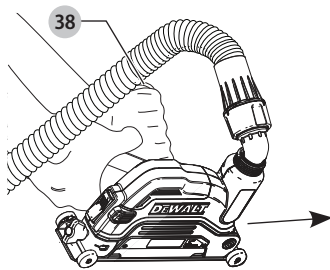
## Posición Adecuada de las Manos (Fig. K)

**ADVERTENCIA:** Para reducir el riesgo de lesión personal grave, tenga SIEMPRE las manos en una posición adecuada como se muestra.

**ADVERTENCIA:** Para reducir el riesgo de lesión personal grave, sujete SIEMPRE bien en caso de que haya una reacción repentina.

La posición correcta de la mano requiere una mano en el cuerpo de la herramienta y una mano en la manija lateral 38.

Fig. K



## Aplicación de Rejuntado y Corte (Fig. A, K)

1. Ajuste la profundidad de corte deseada, consulte **Ajuste de Profundidad de Corte** en **Ensamble y ajustes**.

- Permita que la herramienta alcance la velocidad completa antes de tocar la superficie de trabajo.
- Colóquese de manera que la parte inferior de la base de metal **3** y la rueda queden hacia el lado opuesto a usted.
- Coloque la base de metal **3** de la cubierta sobre la superficie de trabajo y comience a cortar dentro de la superficie de trabajo. La protección superior **9** se bloqueará en la protección inferior **10** después del corte inicial.

**NOTA:** Mantenga la base de metal de la protección contra la superficie de trabajo para asegurar la recolección de polvo adecuada.

- Con la cubierta orientada como se muestra en la Figura K, empuje la esmeriladora hacia el frente a lo largo de la superficie de trabajo, o jale a la izquierda si realiza rejuntado.

**NOTA:** La esmeriladora SÓLO se debe usar en la dirección indicada.

- Cuando termine con el corte, apague la herramienta antes de retirarla de la superficie de trabajo para limitar la exposición al polvo. Deje que la herramienta deje de girar antes de soltarla.
- Empuje el botón de protección delantera **7** para liberar la protección superior y comenzar un nuevo corte.

## MANTENIMIENTO



**ADVERTENCIA:** Para reducir el riesgo de lesiones personales graves, apague la herramienta y desconéctela de la fuente de alimentación antes de realizar ajustes o de retirar/instalar dispositivos o accesorios. Un arranque accidental podría causar lesiones.

Su herramienta eléctrica DEWALT ha sido diseñada para operar por un periodo prolongado de tiempo con un mínimo de mantenimiento. La operación satisfactoria continua depende del cuidado adecuado de la herramienta y la limpieza regular.

## Limpiar



**ADVERTENCIA:** Sopla la suciedad y el polvo de todos los conductos de ventilación con aire seco, al menos una vez por semana. Para reducir el riesgo de lesiones, utilice siempre protección para los ojos aprobada ANSI Z87.1 al realizar esta tarea.



**ADVERTENCIA:** Nunca utilice solventes ni otros químicos abrasivos para limpiar las piezas no metálicas de la herramienta. Estos productos químicos pueden debilitar los materiales plásticos utilizados en estas piezas. Utilice un paño humedecido sólo con agua y jabón neutro. Nunca permita que penetre líquido dentro de la herramienta ni sumerja ninguna de las piezas en un líquido.

## Accesorios



**ADVERTENCIA:** Debido a que no se han probado con este producto otros accesorios que no sean los que ofrece DEWALT, el uso de dichos accesorios con esta herramienta podría ser peligroso. Para reducir

el riesgo de lesiones, con este producto deben usarse sólo los accesorios recomendados por DEWALT.

Los accesorios que se recomiendan para utilizar con la herramienta están disponibles a un costo adicional en su distribuidor local o en un centro de mantenimiento autorizado. Si necesita ayuda para localizar algún accesorio, póngase en contacto con DEWALT Industrial Tool Co., 701 East Joppa Road, Towson, MD 21286, llame al **1-800-4-DEWALT (1-800-433-9258)** o visite nuestro sitio web: [www.dewalt.com](http://www.dewalt.com).

## Reparaciones



**ADVERTENCIA:** Para asegurar la SEGURIDAD y la CONFIABILIDAD del producto, las reparaciones, el mantenimiento y los ajustes (inclusive la inspección y el cambio de las escobillas, cuando proceda) deben ser realizados en un centro de mantenimiento en la fábrica DEWALT u en un centro de mantenimiento autorizado DEWALT. Utilice siempre piezas de repuesto idénticas.

**Para reparación y servicio de sus herramientas eléctricas, favor de dirigirse al Centro de Servicio más cercano**

### CULIACAN, SIN

Bldv. Emiliano Zapata 5400-1 Poniente Col. (667) 717 89 99  
San Rafael

### GUADALAJARA, JAL

Av. La Paz #1779 - Col. Americana Sector (33) 3825 6978  
Juárez

### MEXICO, D.F.

Eje Central Lázaro Cárdenas No. 18 - Local (55) 5588 9377  
D, Col. Obrera

### MERIDA, YUC

Calle 63 #459-A - Col. Centro (999) 928 5038

### MONTERREY, N.L.

Av. Francisco I. Madero 831 Poniente - Col. (818) 375 23 13  
Centro

### PUEBLA, PUE

17 Norte #205 - Col. Centro (222) 246 3714

### QUERETARO, QRO

Av. San Roque 274 - Col. San Gregorio (442) 2 17 63 14

### SAN LUIS POTOSI, SLP

Av. Universidad 1525 - Col. San Luis (444) 814 2383

### TORREON, COAH

Bldv. Independencia, 96 Pte. - Col. Centro (871) 716 5265

### VERACRUZ, VER

Prolongación Díaz Mirón #4280 - Col. (229) 921 7016  
Remes

### VILLAHERMOSA, TAB

Constitución 516-A - Col. Centro (993) 312 5111

**PARA OTRAS LOCALIDADES:**

**Si se encuentra en México, por favor llame al (55) 5326 7100**

**Si se encuentra en U.S., por favor llame al 1-800-433-9258 (1-800 4-DeWALT)**

## Póliza de Garantía

IDENTIFICACIÓN DEL PRODUCTO:

Sello o firma del Distribuidor.

Nombre del producto: \_\_\_\_\_

Mod./Cat.: \_\_\_\_\_

Marca: \_\_\_\_\_

Núm. de serie: \_\_\_\_\_

(Datos para ser llenados por el distribuidor)

Fecha de compra y/o entrega del producto:

Nombre y domicilio del distribuidor donde se adquirió el producto:

Este producto está garantizado por un año a partir de la fecha de entrega, contra cualquier defecto en su funcionamiento, así como en materiales y mano de obra empleados para su fabricación. Nuestra garantía incluye la reparación o reposición del producto y/o componentes sin cargo alguno para el cliente, incluyendo mano de obra, así como los gastos de transportación razonablemente erogados derivados del cumplimiento de este certificado.

Para hacer efectiva esta garantía deberá presentar su herramienta y esta póliza sellada por el establecimiento comercial donde se adquirió el producto, de no contar con ésta, bastará la factura de compra.

### Excepciones

Esta garantía no será válida en los siguientes casos:

- Cuando el producto se hubiese utilizado en condiciones distintas a las normales;
- Cuando el producto no hubiese sido operado de acuerdo con el instructivo de uso que se acompaña;
- Cuando el producto hubiese sido alterado o reparado por personas distintas a las enlistadas al final de este certificado.

Anexo encontrará una relación de sucursales de servicio de fábrica, centros de servicio autorizados y franquiciados en la República Mexicana, donde podrá hacer efectiva su garantía y adquirir partes, refacciones y accesorios originales.

## Registro en Línea

Gracias por su compra. Registre su producto ahora para:

- **SERVICIO EN GARANTÍA:** Si completa esta tarjeta, podrá obtener un servicio en garantía más eficiente, en caso de que exista un problema con su producto.
- **CONFIRMATCIÓN DE PROPIEDAD:** En caso de una pérdida que cubra el seguro, como un incendio, una inundación o un robo, el registro de propiedad servirá como comprobante de compra.

- **PARA SU SEGURIDAD:** Si registra el producto, podremos comunicarnos con usted en el caso improbable que se deba enviar una notificación de seguridad conforme a la Federal Consumer Safety Act (Ley Federal de Seguridad de Productos para el Consumidor).

Registro en línea en [www.dewalt.com/account-login](http://www.dewalt.com/account-login).

## Garantía Limitada de Tres Años

Para los términos de garantía, visite [www.dewalt.com/support/warranty](http://www.dewalt.com/support/warranty).

Para solicitar una copia escrita de los términos de garantía, póngase en contacto con: Servicio al Cliente en DeWALT Industrial Tool Co., 701 East Joppa Road, Towson, MD 21286 o llame al **1-800-4-DeWALT (1-800-433-9258)**.

**AMÉRICA LATINA:** Esta garantía no aplica a productos vendidos en América Latina. Para productos vendidos en América Latina, consulte la información de garantía específica contenida en el empaque, llame a la compañía local o consulte la página de Internet respecto a la información de garantía.

### REEMPLAZO GRATUITO DE ETIQUETA DE ADVERTENCIA:

Si sus etiquetas de advertencia se vuelven ilegibles o faltan, llame al **1-800-4-DeWALT (1-800-433-9258)** para reemplazo gratuito.

Solamente para propósito de México:  
Importado por: DeWALT S.A de C.V.  
Antonio Dovali Jaime #70 Torre C Piso 8  
Col. Santa Fe Alvaro Obregon,  
Ciudad de Mexico, Mexico.  
C.P 01210  
TEL( 52 ) 55 53267100  
R.F.C.BDE8106261W7









DeWALT Industrial Tool Co., 701 East Joppa Road, Towson, MD 21286

(JAN24) Part No. NA516912 DWE46125, DWE46127 Copyright © 2019, 2021, 2022, 2023, 2024 DeWALT

The following are trademarks for one or more DeWALT power tools: the yellow and black color scheme, the “D” shaped air intake grill, the array of pyramids on the handgrip, the kit box configuration, and the array of lozenge-shaped humps on the surface of the tool.