

If you have questions or comments, contact us.

1-888-431-6871 • dewalt.com

INSTRUCTION MANUAL

DEWALT®

Generator DXGNR4000

⚠ WARNING

To reduce the risk of injury, read and follow these instructions before operating product.

 **WARNING**

CANCER AND REPRODUCTIVE HARM

www.P65Warnings.ca.gov



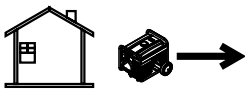
(000393a)

Table of Contents

Table of Contents	1
Safety	2
Safety Guidelines and Definitions	2
Safety Rules	2
Accessories	4
Service Information	5
Repairs	5
Free Warning Label Replacement	5
Assembly	7
Unpacking	7
Install Accessory Kits	7
Emissions Information	8
Operation	9
Know the Generator	9
Connection Plugs	10
CO PROTECT	10
How to Use the Generator	11
Know Generator Limits	12
Wattage Reference Guide	12
Before Starting Generator	13
Starting Pull Start Engines	14
Generator Shut Down	15
Low Oil Level Shutdown System	15
Maintenance	16
Maintenance Recommendations	16
Maintenance Schedule	16
Product Specifications	16
Preventive Maintenance	16
Engine Maintenance	17
Valve Clearance	18
Inspect Spark Arrester Screen	18
Storage	18
Troubleshooting	20

Safety

Safety Guidelines and Definitions

⚠ DANGER	
<p>Using a generator indoors CAN KILL YOU IN MINUTES.</p> <p>Generator exhaust contains carbon monoxide. This is a poison you cannot see or smell.</p>	
 	
<p>NEVER use inside a home or garage, EVEN IF doors and windows are open.</p>	<p>Only use OUTSIDE and far away from windows, doors, and vents.</p>

000657

This instruction manual contains information important for you to know and understand so that your generator may properly, safely, and effectively be applied and operated. All operators, users and subsequent owners of this generator must read and understand all instructions before operating the generator. Save these instructions for future reference.

To help you recognize information important to protecting **YOUR SAFETY** and **PREVENTING EQUIPMENT PROBLEMS**, we use the symbols below.

⚠ DANGER Indicates an imminently hazardous situation which, if not avoided, will result in death or serious injury.

⚠ WARNING Indicates a potentially hazardous situation which, if not avoided, could result in death or serious injury.

⚠ CAUTION Indicates a potentially hazardous situation which, if not avoided, may result in minor or moderate injury.

NOTICE: Indicates a practice not related to personal injury which, if not avoided, may result in property damage.

Safety Rules

SPARK ARRESTING MUFFLER
<p>Certain States and Jurisdictions require that engine driven equipment be fitted with spark arresting mufflers. Depending on the generator model, spark-arresting mufflers may or may not be fitted. If spark-arresting mufflers are required for your location and the generator muffler is not spark arresting, contact your local dealer for instructions for a retrofit.</p>

SPARK ARRESTOR
<p>If the product will be used around flammable materials, such as agricultural crops, forests, brush, grass, or other similar items, then an approved spark arrester should be installed and is legally required in the State of California. The California statutes requiring a spark arrester are Sections 13005(b), 4442 and 4443. Spark Arresters are also required on some U.S. Forest Service land and may also be legally required under other statutes and ordinances. An approved spark arrester is provided and is also available from an Authorized DEWALT Service Center, or call 1-888-431-6871.</p>

EXHAUST EMISSION CONTROL SYSTEM
<p>The exhaust emission control system for this generator complies with the standards set forth by the California Air Resources Board (CARB) and the Environmental Protection Agency (EPA). The respective engine manufacturers administer warranties for the exhaust emission system. Refer to the engine documentation for warranty information.</p>

⚠ WARNING
<p>The engine exhaust from this product contains chemicals known to the State of California to cause cancer, birth defects, or other reproductive harm.</p>

RISK OF ASPHYXIATION

⚠ DANGER DO NOT OPERATE THIS GENERATOR WITHIN AN ENCLOSED AREA. THE EXHAUST GASES OF THIS GENERATOR EMIT “DEADLY” CARBON MONOXIDE. EXPOSURE TO CARBON MONOXIDE CAN CAUSE CARBON MONOXIDE POISONING, HEADACHES, NAUSEA, SEVERE SICKNESS OR DEATH.

⚠ DANGER IF YOU START TO FEEL SICK, DIZZY, OR WEAK AFTER THE GENERATOR HAS BEEN RUNNING, MOVE TO FRESH AIR IMMEDIATELY. SEE A DOCTOR, AS YOU COULD HAVE CARBON MONOXIDE POISONING.

⚠ DANGER NEVER RUN A GENERATOR INDOORS OR IN A PARTLY ENCLOSED AREA SUCH AS A GARAGE.

⚠ DANGER ONLY USE OUTDOORS AND FAR AWAY FROM WINDOWS, DOORS, VENTS, CRAWL SPACES AND IN AN AREA WHERE ADEQUATE VENTILATION IS AVAILABLE AND WILL NOT ACCUMULATE DEADLY EXHAUST GAS.

⚠ DANGER USING A FAN OR OPENING A DOOR WILL NOT PROVIDE SUFFICIENT VENTILATION.

⚠ DANGER POINT MUFFLER EXHAUST AWAY FROM PEOPLE AND OCCUPIED BUILDINGS.

RISK OF ELECTROCUTION OR SHOCK

⚠ DANGER THIS GENERATOR SET PRODUCES ELECTRICAL CURRENT. THEREFORE, SAFETY GUIDELINES MUST BE FOLLOWED. IMPROPER USE OF THIS GENERATOR CAN RESULT IN ELECTROCUTION, INJURY OR DEATH. DO NOT OPERATE, SERVICE OR REPAIR THIS GENERATOR UNLESS FULLY QUALIFIED TO DO SO.

⚠ DANGER THIS GENERATOR SET IS DESIGNED TO BE OPERATED IN DRY CONDITIONS AND FOR OUTDOOR AREAS ONLY. NEVER OPERATE THIS GENERATOR INDOORS. NEVER OPERATE THIS GENERATOR IN RAIN, SNOW, SLEET OR GENERALLY WET CONDITIONS. DAMAGE TO THE GENERATOR, BODILY INJURY, OR DEATH COULD RESULT FROM ELECTROCUTION.

⚠ DANGER IF THIS GENERATOR IS CONNECTED TO A BUILDING, HOME, BUSINESS, OR ANY OTHER ELECTRICAL CIRCUIT NORMALLY FED BY UTILITY POWER, STEPS MUST BE TAKEN TO ENSURE THE GENERATOR OUTPUT AND THE UTILITY POWER ARE POSITIVELY ISOLATED. THIS IS TYPICALLY ACCOMPLISHED THROUGH THE USE OF A PROPERLY INSTALLED TRANSFER SWITCH. FAILURE TO ISOLATE THE UTILITY AND GENERATOR ELECTRICAL SYSTEMS WILL RESULT IN GENERATOR DAMAGE AND COULD RESULT IN INJURY OR DEATH TO UTILITY WORKERS DUE TO THE BACKFEED OF ELECTRICITY.

⚠ DANGER TO AVOID BACKFEEDING INTO UTILITY SYSTEMS, ISOLATION OF THE RESIDENCE ELECTRICAL SYSTEM IS REQUIRED. BEFORE CONNECTION OF A GENERATOR TO THE RESIDENCE ELECTRICAL SYSTEM TURN OFF THE MAIN SWITCH. BEFORE MAKING PERMANENT CONNECTIONS A DOUBLE THROW TRANSFER SWITCH MUST BE INSTALLED. TO AVOID ELECTROCUTION OR PROPERTY DAMAGE, ONLY A TRAINED ELECTRICIAN SHOULD CONNECT GENERATOR TO RESIDENCE ELECTRICAL SYSTEM. CALIFORNIA LAW REQUIRES ISOLATION OF THE RESIDENCE ELECTRICAL SYSTEM BEFORE CONNECTING A GENERATOR TO RESIDENCE ELECTRICAL SYSTEMS. TEMPORARY CONNECTION NOT RECOMMENDED DUE TO BACKFEEDING.

ALWAYS FOLLOW LOCAL CODES AND REGULATIONS THAT APPLY TO THE INSTALLATION OF ANY ITEM THAT CONCERNS THIS PRODUCT.

1. NFPA 37 - Standard for Installation and Use of Stationary Combustible Engines.
2. Agricultural Wiring handbook of Farm Standby Electric Power.

⚠ DANGER DO NOT MODIFY OR MISAPPLY YOUR GENERATOR SET. OPERATION OF THE GENERATOR OTHER THAN INTENDED COULD RESULT IN GENERATOR SET DAMAGE, BODILY INJURY OR EVEN DEATH FROM ELECTROCUTION.

⚠ DANGER NEVER TOUCH A RECEPTACLE OR BARE WIRE. ELECTROCUTION OR SHOCK COULD RESULT.

RISK OF FIRE OR EXPLOSION

⚠ WARNING ALWAYS INSURE THAT AT LEAST 6 FEET OF CLEARANCE ON ALL SIDES OF THE GENERATOR ARE MAINTAINED DURING OPERATION. FAILURE TO MAINTAIN PROPER CLEARANCE COULD DAMAGE YOUR GENERATOR AND POTENTIALLY LEAD TO FIRES.

⚠ WARNING GASOLINE IS HIGHLY FLAMMABLE AND ITS VAPORS ARE EXPLOSIVE. FAILURE TO PROPERLY HANDLE GASOLINE CAN RESULT IN EXPLOSION OR FIRE. DO NOT PERMIT SMOKING WITHIN 50FT OF THIS GENERATOR SET.

⚠ WARNING NEVER REFILL A HOT GENERATOR WITH FUEL. NEVER REFILL THE GENERATOR WHILE IT IS RUNNING. SPILLAGE ONTO THE ENGINE OR GENERATOR COULD RESULT IN AN EXPLOSION OR FIRE. ALWAYS ALLOW THE GENERATOR SET TO COOL BEFORE REFILLING.

⚠ WARNING DO NOT STORE THIS GENERATOR SET IN ANY LOCATION WHERE GASOLINE FUMES COULD POTENTIALLY COME INTO CONTACT WITH SPARKS, A PILOT LIGHT OR AN OPEN FLAME. IMPROPER STORAGE OF THIS GENERATOR COULD RESULT IN AN EXPLOSION OR FIRE.

⚠ WARNING INSPECT THE SPARK ARRESTOR PERIODICALLY. SPARK ARRESTORS ARE REQUIRED IN SOME AREAS AND MINIMIZE THE RISK OF FIRE FROM SPARKS EMITTED FROM THE EXHAUST.

⚠ WARNING DO NOT OPERATE THIS GENERATOR IF THE AMBIENT TEMPERATURE EXCEEDS 104°F/40°C.

⚠ WARNING DO NOT EXCEED THE RATED CAPACITY OF THE GENERATOR. THE TOTAL ELECTRICAL LOADS AT EACH OUTLET MUST BE ADDED TO DETERMINE THE TOTAL ELECTRICAL LOAD. THE TOTAL LOAD MUST NOT EXCEED THE RATED CAPACITY OF THE GENERATOR. IF THE DRIVEN APPARATUS DOES NOT LIST WATTAGE, BUT ONLY AMPERAGE, WATTAGE MAY BE DETERMINED BY MULTIPLYING AMPERAGE TIMES VOLTAGE (WATTS = AMPS X VOLTS).

GENERAL SAFETY

Always follow National and Local electrical codes pertaining to generators. All local and national codes supersede rules or information provided in this manual.

⚠ WARNING REFER TO LOCAL AND NATIONAL ELECTRICAL CODES TO DETERMINE GROUNDING REQUIREMENTS AS THIS CAN VARY PER APPLICATION. THE GENERATOR IS GROUNDED INTERNALLY NEUTRAL TO FRAME. WHERE APPLICATIONS REQUIRE EXTERNAL GROUNDING, A CONNECTION MUST BE MADE FROM THE GENERATOR TO A SOLID EARTH GROUND. A CONTINUOUS LENGTH OF SPLICE-FREE COPPER CABLE, NO SMALLER THAN 6 AWG, SHALL BE USED FOR THE CONDUCTOR.

- When moving or transporting this generator, take proper precautions to avoid fuel spillage. Further, always use common sense when lifting this generator. An adequate number of people and proper lifting methods must be used.
- Do not cover the generator while it is running or immediately after shutdown. Always allow time to cool down before covering.
- Do not operate this generator unless it is in good mechanical and electrical condition.
- Always keep hands, body parts, hair and clothing well away from the rotating parts of the generator.
- Do not start this generator with connected devices turned "ON". Always make sure that connected devices are disconnected from the generator or turned "OFF" before starting the generator.
- Use only grounded extension cords in good condition and make sure that the wire size within the extension cords is of sufficient size to safely carry the surge output of the outlet the cord is plugged into.
- Never handle extension cords or electrical circuits if standing in water or if standing in a damp area.

RISK OF BODILY INJURY

⚠ WARNING KEEP HANDS, BODY PARTS, HAIR AND CLOTHING AWAY FROM THE "HOT" PARTS OF THE GENERATOR SET DURING AND AFTER OPERATION. THE EXHAUST SYSTEM, AND THE GENERATOR IN GENERAL, CAN REMAIN VERY HOT EVEN AFTER BEING SHUT DOWN.

⚠ WARNING DO NOT TAMPER WITH THE ENGINE-GOVERNED SPEED. THE GENERATOR OPERATES AT A NOMINAL SPEED OF 3600 RPM. INCREASES IN SPEED OVER THE 3600 RPM NOMINAL WILL INCREASE THE CHANCE OF PERSONAL INJURY DUE TO ROTATIONAL STRESSES ON THE ROTATING MEMBERS. OPERATION OF THE GENERATOR AT SPEEDS BELOW THE NOMINAL 3600 RPM COULD CAUSE DAMAGE TO THE GENERATOR OR DRIVEN APPARATUS DUE TO LOW VOLTAGE OUTPUT.

BATTERY SAFETY

⚠ WARNING STORAGE BATTERIES PRODUCE AND RELEASE EXPLOSIVE HYDROGEN GAS WHEN CHARGING. THE SLIGHTEST SPARK, FLAME OR BURNING ASH CAN IGNITE THESE GASES CAUSING A SERIOUS EXPLOSION THAT COULD RESULT IN BLINDNESS OR OTHER SERIOUS INJURIES. WEAR EYE PROTECTION, RUBBER APRON AND RUBBER GLOVES WHEN WORKING AROUND A BATTERY OR PERFORMING BATTERY SERVICE. BATTERY FLUID IS AN EXTREMELY CAUSTIC SULFURIC ACID, WHICH CAN CAUSE SEVERE BURNS. ALWAYS DISCONNECT THE NEGATIVE (-) BATTERY CABLE FROM THE BATTERY BEFORE PERFORMING BATTERY SERVICE OR BEFORE PERFORMING ANY ELECTRICAL SERVICE ON THE GENERATOR OR ENGINE.

ENVIRONMENTAL PROTECTION

⚠ CAUTION INSPECT THE EXHAUST SYSTEM REGULARLY TO ENSURE IT IS FUNCTIONING PROPERLY. LEAKY EXHAUST SYSTEMS WILL INCREASE NOISE LEVELS.

⚠ CAUTION DIRECT THE "LOUD" SIDES OF THE GENERATOR INTO OPEN SPACES AVOIDING REVERBERATION FROM WALLS OR BUILDINGS THUS AMPLIFYING THE SOUND.

NOTICE: NEVER DRAIN OR DISPOSE OF ENGINE OIL INTO THE GROUND OR DOMESTIC WASTE WATER SYSTEMS.

RAISING OR SUSPENDING GENERATOR

⚠ WARNING Always use cables, chains or straps rated at 2000 lbs. working load or more to raise or suspend generator.

⚠ WARNING Never operate generator while suspended. This could cause property damage, serious injury or death.

⚠ WARNING Make sure all fasteners in frame and lifting hook are tight.

NOTICE: Make sure the generator is in a level position before raising or suspending to prevent damage.

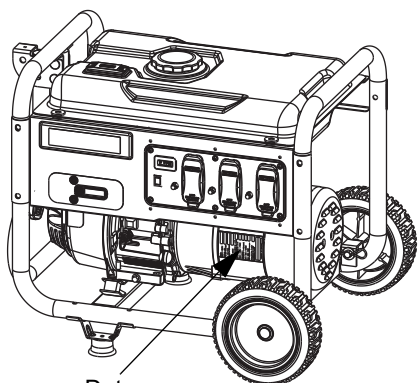
Accessories

Recommended accessories for use with your tool are available for purchase from your local dealer or authorized service center. If you need assistance in locating any accessory for your tool, please contact an Authorized DEWALT Service Center, call 1-888-431-6871 or visit our website www.dewalt.com.

Service Information

Please have the following information as shown listed on the data label available for all service calls:

Model No.	
Serial No.	
Date of Purchase	
Place of Purchase	



Data Label

009123

Repairs

To assure product SAFETY and RELIABILITY, repairs, maintenance and adjustment should be performed by an Authorized DEWALT Service Center. Call 1-888-431-6871. Always use identical replacement parts.

Free Warning Label Replacement

If your warning labels become illegible or are missing, call 1-888-431-6871 for a free replacement.

⚠ DANGER	
Using a generator indoors CAN KILL YOU IN MINUTES. Generator exhaust contains carbon monoxide. This is a poison you cannot see or smell.	
NEVER use inside a home or garage, EVEN IF doors and windows are open.	Only use OUTSIDE and far away from windows, doors, and vents.
⚠ DANGER	
Utiliser un générateur à l'intérieur PEUT VOUS TUER EN QUELQUES MINUTES. Les gaz d'échappement du générateur contiennent du monoxyde de carbone. C'est un gaz toxique invisible et inodore.	
<ul style="list-style-type: none"> • NE JAMAIS utiliser à l'intérieur d'une maison ou d'un garage, MÊME Si les portes et les fenêtres sont ouvertes. • Utiliser UNIQUEMENT à l'EXTÉRIEUR et loin des fenêtres, portes et ventilations. 	
⚠ PELIGRO	
Si usa un generador en interiores, MORIRÁ EN POCOS MINUTOS. El escape del generador contiene monóxido de carbono. Es un veneno que no tiene olor ni se puede ver.	
<ul style="list-style-type: none"> • NUNCA lo use dentro de una casa o garaje, AUN si las puertas y ventanas están abiertas. • Sólo úselo EN EXTERIORES y lejos de ventanas, puertas y ductos de ventilación. 	

⚠ CAUTION	⚠ ATTENTION	⚠ PRECAUCIÓN
<ul style="list-style-type: none"> • DO NOT OVERFILL TANK • DO NOT FILL ABOVE TOP OF FUEL SCREEN 	<ul style="list-style-type: none"> • NE REMPLISSEZ PAS TROP LE RESERVOIR • LE PAS REMPLIT AU-DESSUS DU SOMMET D'ECRAN DE CARBURANT 	<ul style="list-style-type: none"> • NO LLENE DEMASIADO EL TANQUE • NO LLENE ENCIMA DE PARTE SUPERIOR DE PANTALLA DE COMBUSTIBLE
<p style="font-size: x-small;">FILL LINE / LIGNE DE REMPLIT / LINEA DE LLENA</p>		

<p>OPERATE, STORE AND TRANSPORT ON FIRM LEVEL SURFACE</p> <p>⚠ CAUTION: TILTING CAN CAUSE FUEL SPILLAGE</p> <p>FONCTIONNER, EMMAGASINE ET TRANSPORTER SUR LA SURFACE EGALE FERME</p> <p>⚠ ATTENTION : PENCHER PEUT CAUSER DU RENVERSMENT DE CARBURANT</p> <p>OPERE, ALMACENE Y TRANSPORTE EN UNA SUPERFICIE NIVELADA FIRME</p> <p>⚠ PRECAUCIÓN: INCLINAR PUEDE CAUSAR DERRAME DE COMBUSTIBLE</p>	
--	--

<p>⚠ AUTOMATIC SHUTOFF - SEE ACTION LABEL</p> <p>SHUTOFF AUTOMÁTICO - VER ETIQUETA DE ACCIÓN</p> <p>ARRÊT AUTOMATIQUE - VOIR ÉTIQUETTE D'ACTION</p>	<p style="font-size: x-small;">CARBON MONOXIDE SHUTDOWN</p>
<p>⚠ CONTACT DEALER</p> <p>CONTACTO DISTRIBUIDOR</p> <p>CONTACTER UN REVENDEUR</p>	

<p>WARNING</p> <p>Read Service Literature, Improper Operation of this equipment could result in property damage, serious injury or death. Total power drawn from all receptacles must not exceed the nameplate ratings.</p> <p>Breathing Hazard. Engine exhaust fumes can cause serious injury or death. Always operate generator outside and far away from windows, doors, & vents.</p> <p>Risk of Fire or Explosion. Always turn off and cool engine before adding fuel. Hot engine parts, sparks, or lit cigarettes can ignite gasoline. Store fuel away from generator.</p> <p>Hot Surfaces. Contact with hot generator and engine parts could cause serious injury. Allow adequate cool down time before servicing.</p> <p>Risk of Electrocution, property damage. Connecting generator to a structure's electrical system should be done by a qualified electrician to prevent back-feed. Do not operate generator in wet conditions.</p> <p>Operational Warning - Never adjust throttle setting. Generator service and repair should only be performed by a qualified technician.</p> <p><small>THE ENGINE EXHAUST FROM THIS PRODUCT CONTAINS CHEMICALS KNOWN TO THE STATE OF CALIFORNIA TO CAUSE CANCER, BIRTH DEFECTS OR OTHER REPRODUCTIVE HARM.</small></p>	<p>ADVERTENCIA</p> <p>Leer el manual de asistencia. El uso incorrecto puede provocar averías, lesiones graves o muerte. El carga total dibujada de todos receptáculos no debe exceder los valores nominales de la placa de identificación.</p> <p>Peligro de inhalación. Los gases de descarga del motor pueden provocar lesiones graves e incluso muerte. Utilícelo únicamente A L'EXTERIEUR y lojn des fenêtrés, des portes et des conduits de ventilation.</p> <p>Peligro de fuego o explosión. Desconectar y dejar enfriar el motor antes de introducir el combustible. Las piezas calientes del motor, chispas o cigarrillos encendidos pueden inflamar la gasolina. Almacenar el combustible lejos del generador.</p> <p>Superficies calientes. El contacto con las piezas del motor y el generador calientes puede causar lesiones graves. Permitir el tiempo de refrigeración suficiente antes de la manutención.</p> <p>Peligro de electrocución y avería. La conexión del generador a una instalación eléctrica debe realizarla un electricista cualificado para prevenir la retro-alimentación. No manipular el generador en condiciones de humedad.</p> <p>Precauciones de uso. No manipular el regulador de vueltas. El mantenimiento y reparación deberá llevarla a cabo un técnico cualificado.</p> <p><small>EL ESCAPE DEL MOTOR DE ESTE PRODUCTO CONTIENE SUSTANCIAS QUÍMICAS RECONOCIDAS POR EL ESTADO DE CALIFORNIA COMO CAUSANTES DE CÁNCER, DEFECTOS DE NACIMIENTO U OTROS DAÑOS REPRODUCTIVOS.</small></p>	<p>AVERTISSEMENT</p> <p>Lire attentivement la notice d'utilisation. Une mauvaise utilisation de ce matériel peut provoquer de sérieux dommages corporels et entraîner la mort. Le total charge dessiné de toutes prises ne doit pas dépasser les limites indiquées de plaque.</p> <p>Risques d'inhalation. L'inhalation des gaz d'échappement des moteurs peut provoquer de graves dommages voire entraîner la mort. Use el generador solamente en el EXTERIOR y alejada de las ventanas, las puertas y los respiraderos.</p> <p>Risque de feu ou d'explosion. Avant de mettre du fuel dans le moteur, l'arrêter et le faire refroidir impatiensvement avant toute intervention. Toute source de chaleur peut enflammer le combustible. Stocker le fuel dans un endroit sûr, à l'écart des groupes.</p> <p>Risque de brûlures. Tout contact avec le générateur ou le moteur peut provoquer de graves brûlures. Laisser refroidir avant la mise en service.</p> <p>Risque d'électrocution. Tout branchement du groupe à un système électrique doit être effectué par un électricien. Ne pas faire fonctionner dans un milieu humide.</p> <p>Attention ! Ne pas modifier le réglage de l'accélérateur. La mise en service et le service après-vente ne doivent être effectués que par un technicien spécialisé.</p> <p><small>L'ÉCHAPPEMENT DU MOTEUR PROVENANT DE CE PRODUIT CONTIEN DES PRODUITS CHIMIQUES RECONNUS PAR L'ÉTAT DE LA CALIFORNIE COMME POUVAUT CAUSER LE CANCER, DES ANOMALIES CONGÉNITALES ET D'AUTRES DANGERS REPRODUCTIFS.</small></p>
---	---	---

CARBON MONOXIDE SHUTDOWN

AUTOMATIC SHUTOFF - YOU MUST:

ÉTIQUETTE D'ACTION:
ETIQUETA DE FUNCIONAMIENTO:

- **MOVE GENERATOR TO AN OPEN, OUTDOOR AREA.**
- **POINT EXHAUST AWAY.**
- **DON'T RUN GENERATOR IN ENCLOSED AREAS (E.G. HOUSE OR GARAGE).**
 - DÉPLACER LA GÉNÉRATRICE DANS UN ESPACE EXTÉRIEUR OUVERT
 - DIRIGER L'ÉCHAPPEMENT LOIN DE VOUS
 - NE PAS FAIRE FONCTIONNER LA GÉNÉRATRICE DANS DES ENDROITS FERMÉS (COMME DANS LA MAISON OU LE GARAGE)
- **MOVER EL GENERADOR A UN ÁREA ABIERTA, EN EXTERIORES**
- **ORIENTAR EL TUBO DE ESCAPE HACIA AFUERA**
- **NO ACTIVAR EL GENERADOR EN ÁREAS CERRADAS (P. EJ.: EN UNA CASA O GARAJE)**

- **MOVE TO FRESH AIR**
- **GET HELP IF SICK, DIZZY, OR WEAK.**
 - VOUS RETIRER À L'AIR FRAIS
 - CONSULTER UN MÉDECIN SI VOUS ÊTES MALADE, ÉTOURDI OU FAIBLE
- **MOVER AL AIRE LIBRE**
- **OBTENER ATENCIÓN MÉDICA SI SE SIENTE ENFERMO, MAREADO, O DÉBIL.**

ACTION LABEL

WARNING
AVERTISSEMENT
ADVERTENCIA

TAMPERING WITH CO PROTECT COULD RESULT IN HAZARDOUS CONDITION

L'ALTÉRATION DE CO PROTECT PEUT ENTRAÎNER DES CONDITIONS DANGEREUSES

HACER ALTERACIONES CON CO PROTECT PODRÍA OCASIONAR CONDICIONES PELIGROSAS

POINT

DIRIGER
ORIENTAR

EXHAUST

L'ÉCHAPPEMENT
EL TUBO DE ESCAPE

AWAY

LOIN DE VOUS
HACIA AFUERA

Assembly

Unpacking

- Remove all packaging material.
- Remove separate accessory kit box.
- Remove generator from carton.

Accessories

Check contents against the list in [Contents](#). If any parts are missing or damaged, or if any problems occur during assembly, call the Generator Helpline at 1-888-431-6871.

Contents

Item	Qty.
Generator	1
Owner's Manual	1
Product Registration Card (English, Spanish, and French)	3
Service and Emissions Warranty	1
SAE 30 Oil	1
Oil Funnel	1
Wheel (A)	2
Frame Foot (B)	2
Handle Assembly (C)	1
Hardware Bag	
Cotter Pin (D)	2
1/2" Flat Washer (E)	2
M8 Carriage Bolt (F)	2
M8 Bolt (long) (G)	4
M8 Hex Flange Nut (H)	4
1/2" Axle Pin (J)	2
M8 Acorn Nut (K)	2
Spark Plug Wrench	1

Install Accessory Kits

The generator requires some minor assembly before use.

Tools Required

Obtain the following tools:

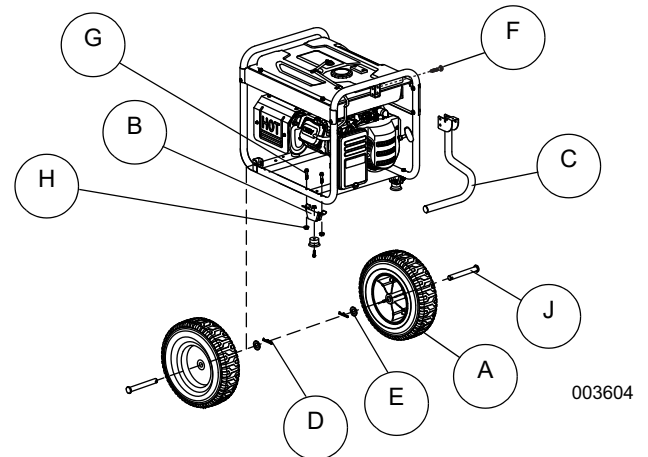
- Two 12mm and one 13mm box wrenches

Install Wheel Kit

The wheels are specially designed to enhance portability.

NOTICE: The wheels are not intended for over-the-road use.

1. Slide axle pin (J) through wheel, 1/2" flat washer (E), and wheel bracket on frame.
2. Insert cotter pin (D) and bend tabs to lock in place.



Install Frame Foot and Rubber Bumpers

1. Slide M8 bolt (G) through holes in frame rail. Slide frame foot (B) onto M8 bolts. Install locking flange nuts (H).

Install Handle

1. Slide M8 carriage bolt (F) through handle bracket and handle assembly (C) by first inserting the bolt through the square hole in the handle assembly (C).
2. Install M8 acorn nut (K).

Emissions Information

The Environmental Protection Agency and California Air Resource Board “for generators certified to CA standards” requires that this generator comply with exhaust and evaporative emission standards. Locate the emissions compliance decal on the engine to determine what standards the generator meets, and to determine which warranty applies. This generator is certified to operate on gasoline. The emission control system includes the following components (if equipped):

- Air Induction System
 - Intake Pipe / Manifold
 - Air Cleaner
- Fuel System
 - Carburetor
 - Fuel Tank / Cap
 - Fuel Lines
 - Evaporative Vent Lines
 - Carbon Canister
- Ignition System
 - Spark Plug
 - Ignition Module
- Exhaust System
 - Exhaust Manifold
 - Muffler
 - Pulsed Air Valve
 - Catalyst

Operation

Know the Generator

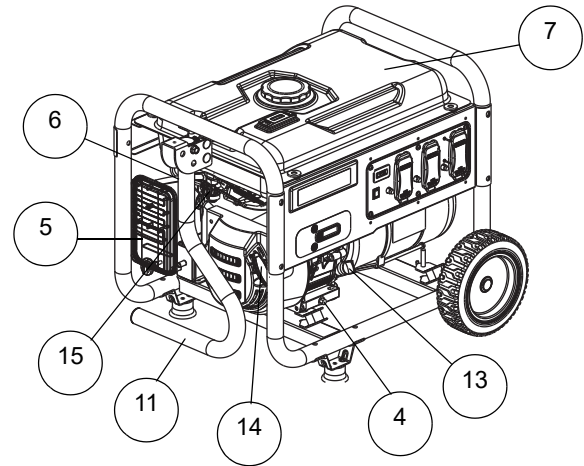
Carefully read the Instruction Manual and Safety Rules before operating the generator. Save this manual for future reference.

Become familiar with locations of all components.

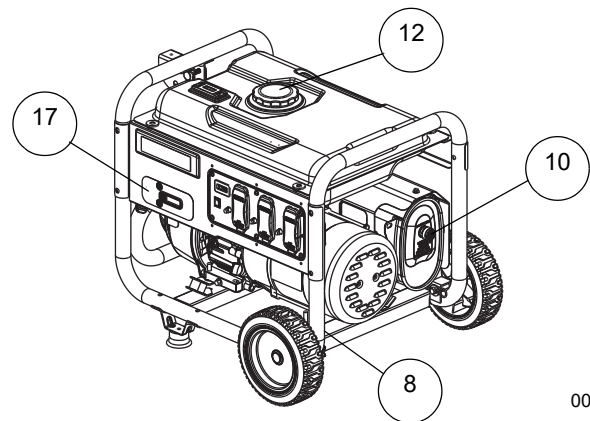
1. **120 Volt AC, 20 Amp Duplex Outlets** – Supplies electrical power for the operation of 120 Volt AC, 20 Amp, single-phase, 60 Hz, electrical lighting, appliance, tool and motor loads (NEMA 5-20R).
2. **120 Volt AC, 30 Amp Locking Receptacle** – Supplies electrical power for operation of 120 Volt AC, 30 Amp, single-phase, 60 Hz, electrical lighting, appliance, tool and motor loads (NEMA L5-30R).
3. **Circuit Breakers (AC)** – Push-to-reset circuit breakers protect the generator against electrical overload.
4. **Oil Drain** – Use to drain engine oil.
5. **Air Filter** – Filters intake air as it is drawn into the engine.
6. **Choke Lever** – Used when starting a cold engine.
7. **Fuel Tank** – See [Product Specifications](#) for tank capacity.
8. **Grounding Lug** – Ground the generator to an approved earth ground here. See [Grounding Generator If Used as Portable](#) for details.
9. **Run/Stop Switch** – Must be in Run position to start manually.
10. **Muffler** – Quiets the engine.
11. **Handle** – Pivot and retract for storage. Press the spring-loaded button to move handle.
12. **Fuel Cap** – Fuel fill location.
13. **Oil Fill** – Add and check oil here.
14. **Recoil Starter** – Use to start engine manually.
15. **Fuel Shut Off** – Valve between fuel tank and carburetor.

NOTICE: Operate unit on level ground for runtime meter accuracy.

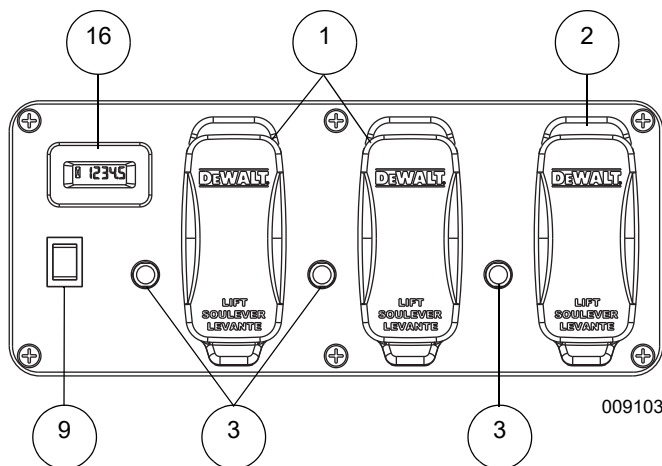
16. **Hour Meter** – Tracks hours of operation for scheduled maintenance.
17. **CO Protect** – Carbon monoxide automatic shut down.



009124



009125



009103

Hour Meter

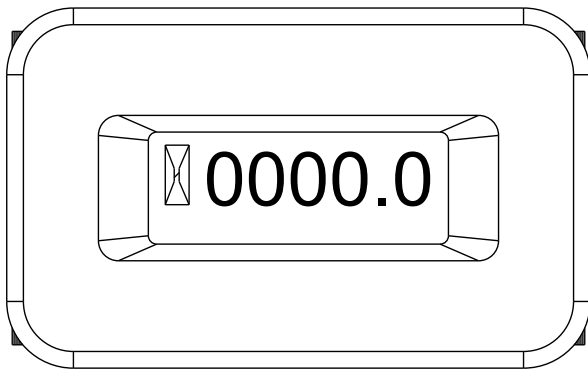
The Hour Meter tracks hours of operation for scheduled maintenance.

- The CHG OIL display will illuminate every 100 hours. The message will flash one hour before and one hour after each 100 hour interval, providing a two hour window to perform service.
- The SVC display will illuminate every 100 hours. The message will flash one hour before and one hour after each 200 hour interval providing a two hour window to perform service.

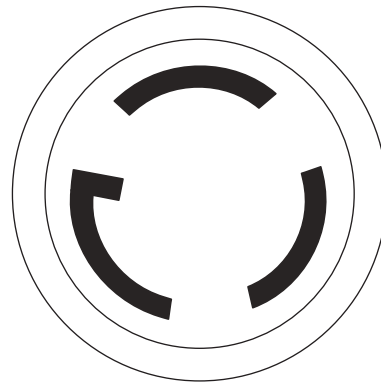
When the hour meter is in flash alert mode, the maintenance message will alternate with elapsed time in hours and tenths. The hours will flash four times, then alternate with the maintenance message four times until the meter automatically resets.

- 100 hours - CHG OIL — Oil Change Interval (Every 100 hrs)
- 200 hours - SVC — Service Air Filter (Every 200 hrs)

NOTICE: The hour glass icon will flash when the engine is running. This signifies the meter is recording hours of operation.



008090

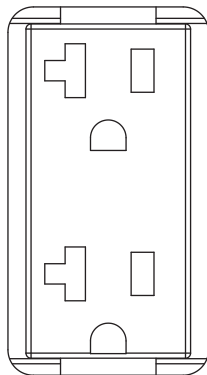


000844

Connection Plugs

120 VAC, 20 Amp, Duplex Receptacle

This is a 120 Volt outlet protected against overload by a 20 Amp push-to-reset circuit breaker. Use each socket to power 120 Volt AC, single phase, 60 Hz electrical loads requiring up to a combined 2400 watts (2.4 kW) or 20 Amps of current. Use only high quality, well-insulated, 3-wire grounded cord sets rated for 125 Volts at 20 Amps (or greater).



000424

120 VAC, 30 Amp Receptacle

Use a NEMA L5-30 plug with this receptacle (rotate to lock/unlock). Connect a suitable 4-wire grounded cord set to the plug and to the desired load. The cord set should be rated for 250 Volts AC at 30 Amps (or greater).

Use this receptacle to operate 120 Volt AC, 60 Hz, single phase loads requiring up to 3600 watts (3.6 kW) of power at 30 Amps. The outlet is protected by a 30 Amp single-pole circuit breaker.

CO PROTECT

Carbon Monoxide (CO) Detection and Shut-off System (if equipped)

The CO PROTECT module monitors for the accumulation of poisonous CO gas found in engine exhaust when the generator is running. If CO PROTECT detects increasing levels of CO gas, it automatically shuts off the engine. CO PROTECT only monitors when the engine is running. Generators are intended to be used outdoors, far from occupied buildings and the exhaust pointed away from personnel and buildings. However, if misused and operated in a location that results in the accumulation of CO, like a house or even a garage with partially opened door, CO PROTECT shuts off the engine, notifies the user of what has happened and directs the user to read the instruction action label for steps to take. CO PROTECT is not a substitute for an indoor carbon monoxide alarm.

As the user approaches the generator to investigate a shut-off, a blinking RED light in the CO PROTECT badge on the side of the generator provides notification that the generator was shut off due to an accumulating CO hazard. The RED light will blink for at least five minutes after a CO shut-off. Move the generator to an open, outdoor area and point the exhaust away from people and occupied buildings. Once relocated to a safe area, the generator can be restarted and the proper electrical connections made to supply electrical power. The RED light will stop blinking automatically upon engine re-start. Introduce fresh air and ventilate the location where the generator had shut down.

If a CO PROTECT system fault has occurred and no longer provides protection, the portable generator is shut off automatically and the YELLOW light will blink for at least five minutes in the CO PROTECT badge to notify the user of the fault. The CO PROTECT module can only be diagnosed and repaired by a trained technician at the dealer. The generator can be re-started, but may continue to shut-off.

CO PROTECT will detect the accumulation of Carbon Monoxide from other fuel burning sources such as engine powered tools or propane heaters used in the area of operation. For example, if another generator is used and the exhaust is pointed at a CO PROTECT equipped generator, CO PROTECT may initiate a shut-

off due to rising CO levels. This is not an error. Hazardous Carbon Monoxide has been detected. The user must take action to move and re-direct these devices to better dissipate Carbon Monoxide far away from personnel and occupied buildings.

			ACTION LABEL
	<p>AUTOMATIC SHUTOFF - YOU MUST: ÉTIQUETTE D'ACTION: ETIQUETA DE FUNCIONAMIENTO:</p>		
<ul style="list-style-type: none"> • MOVE GENERATOR TO AN OPEN, OUTDOOR AREA. • POINT EXHAUST AWAY. • DON'T RUN GENERATOR IN ENCLOSED AREAS (E.G. HOUSE OR GARAGE). <ul style="list-style-type: none"> • DÉPLACER LA GÉNÉRATRICE DANS UN ESPACE EXTÉRIEUR OUVERT • DIRIGER L'ÉCHAPPEMENT LOIN DE VOUS • NE PAS FAIRE FONCTIONNER LA GÉNÉRATRICE DANS DES ENDROITS FERMÉS (COMME DANS LA MAISON OU LE GARAGE) • MOVER EL GENERADOR A UN ÁREA ABIERTA, EN EXTERIORES • ORIENTAR EL TUBO DE ESCAPE HACIA AFUERA • NO ACTIVAR EL GENERADOR EN ÁREAS CERRADAS (P. EJ.: EN UNA CASA O GARAJE) 	<ul style="list-style-type: none"> • MOVE TO FRESH AIR • GET HELP IF SICK, DIZZY, OR WEAK. <ul style="list-style-type: none"> • VOUS RETIRER À L'AIR FRAIS • CONSULTER UN MÉDECIN SI VOUS ÊTES MALADE, ÉTOURDI OU FAIBLE • MOVER AL AIRE LIBRE • OBTENER ATENCIÓN MÉDICA SI SE SIENTE ENFERMO, MAREADO, O DÉBIL 	<p>WARNING AVERTISSEMENT ADVERTENCIA</p> <p>TAMPERING WITH CO PROTECT COULD RESULT IN HAZARDOUS CONDITION</p> <p>L'ALTÉRATION DE CO PROTECT PEUT ENTRAÎNER DES CONDITIONS DANGEREUSES</p> <p>HACER ALTERACIONES CON CO PROTECT PODRÍA OCASIONAR CONDICIONES PELIGROSAS</p>	

AUTOMATIC SHUTOFF - SEE ACTION LABEL
SHUTOFF AUTOMÁTICO - VER ETIQUETA DE ACCIÓN
ARRÊT AUTOMATIQUE - VOIR ÉTIQUETTE D'ACTION

CONTACT DEALER
CONTACTO DISTRIBUIDOR
CONTACTER UN REVENDEUR

How to Use the Generator

If there are any problems operating the generator, call the generator helpline at 1-888-431-6871.

⚠ DANGER Never operate in an enclosed area or indoors! NEVER use in the home, in a vehicle, or in partly enclosed areas such as garages, EVEN IF doors and windows are open! ONLY use outdoors and far from open windows, doors, vents, and in an area that will not accumulate deadly exhaust.

⚠ DANGER The engine exhaust fumes contain carbon monoxide, which cannot be seen or smelled. The gas is poisonous, and if breathed in sufficient concentrations, can cause unconsciousness or even death.

⚠ DANGER Adequate, unobstructed flow of cooling and ventilating air is critical to gen-


erator operation. Do not alter the installation or permit even partial blockage of ventilation provisions, as this can seriously affect safe operation of the generator. The generator MUST be operated outdoors.

⚠ DANGER The exhaust system must be properly maintained. Do nothing that might render the exhaust system unsafe or in noncompliance with any local codes and/or standards.


⚠ DANGER Always use a battery operated carbon monoxide alarm indoors. Be sure it is properly installed according to the manufacturers instructions.

⚠ DANGER

Using a generator indoors **CAN KILL YOU IN MINUTES.**
 Generator exhaust contains carbon monoxide. This is a poison you cannot see or smell.



NEVER use inside a home or garage, **EVEN IF** doors and windows are open.



Only use **OUTSIDE** and far away from windows, doors, and vents.

000657

Grounding Generator If Used as Portable

An equipment ground connects the generator frame components to ground terminals on the AC output receptacles. This allows the generator to be used as a portable without grounding the frame as specified in NEC 250.34. Neutral bonded to frame.

Special Requirements

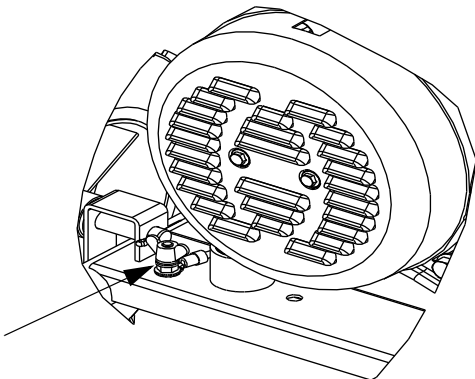
There may be Federal or State Occupational Safety and Health Administration (OSHA) regulations, local codes, or ordinances that apply to the intended use of the generator.

Consult a qualified electrician, electrical inspector, or the local agency having jurisdiction:

- In some areas, generators are required to be registered with local utility companies.
- If the generator is used at a construction site, there may be additional regulations which must be observed.

Connecting to Building Electrical System

Use a manual transfer switch when connecting directly to a building electrical system. Installation and connections must be performed by a qualified electrician and in strict compliance with all national and local electrical codes and laws.



000227

Know Generator Limits

Overloading a generator in excess of its rated wattage capacity can result in damage to the generator and to connected electrical devices. Observe the following rules to avoid overloading:

- Add up the total wattage of all electrical devices to be connected at one time. The total should NOT be greater than the wattage capacity of the generator.
- The rated wattage of lights can be taken from light bulbs. The rated wattage of tools, appliances and motors can usually be found on a data label or decal affixed to the device.
- If the appliance, tool or motor does not give wattage, multiply volts times ampere rating to determine watts (volts x amps = watts).
- Some electric motors, such as induction types, require about three times more watts of power for starting than for running. This power surge lasts only a few seconds. To allow for high starting wattage when selecting electrical devices to connect to the generator, proceed as follows:
 1. Figure the watts needed to start the largest motor.
 2. Add to that figure the running watts of all other connected loads.
 3. See Subsection Wattage Reference Guide for help in determining how many items the generator can operate at one time.

NOTICE:

All figures are approximate. See data label on appliance for actual wattage requirements.

Wattage Reference Guide

Device	Running Watts
*Air Conditioner (12,000 Btu).....	1700
*Air Conditioner (24,000 Btu).....	3800
*Air Conditioner (40,000 Btu).....	6000
Battery Charger (20 Amp).....	500
Belt Sander (3").....	1000
Chain Saw.....	1200
Circular Saw (6-1/2").....	800 to 1000
*Clothes Dryer (Electric).....	5750
*Clothes Dryer (Gas).....	700
*Clothes Washer.....	1150
Coffee Maker.....	1750
*Compressor (1 HP).....	2000
*Compressor (3/4 HP).....	1800
*Compressor (1/2 HP).....	1400
Curling Iron.....	700
*Dehumidifier.....	650
Disc Sander (9").....	1200
Edge Trimmer.....	500
Electric Blanket.....	400
Electric Nail Gun.....	1200
Electric Range (per element).....	1500
Electric Skillet.....	1250
*Freezer.....	700
*Furnace Fan (3/5 HP).....	875
*Garage Door Opener.....	500 to 750
Hair Dryer.....	1200
Hand Drill.....	250 to 1100
Hedge Trimmer.....	450

Device	Running Watts
Impact Wrench.....	500
Iron.....	1200
*Jet Pump.....	800
Lawn Mower.....	1200
Light Bulb.....	100
Microwave Oven.....	700 to 1000
*Milk Cooler.....	1100
Oil Burner on Furnace.....	300
Oil Fired Space Heater (140,000 Btu).....	400
Oil Fired Space Heater (85,000 Btu).....	225
Oil Fired Space Heater (30,000 Btu).....	150
*Paint Sprayer, Airless (1/3 HP).....	600
Paint Sprayer, Airless (hand held).....	150
Radio.....	50 to 200
*Refrigerator.....	700
Slow Cooker.....	200
*Submersible Pump (1-1/2 HP).....	2800
*Submersible Pump (1 HP).....	2000
*Submersible Pump (1/2 HP).....	1500
*Sump Pump.....	800 to 1050
*Table Saw (10").....	1750 to 2000
Television.....	200 to 500
Toaster.....	1000 to 1650
Weed Trimmer.....	500

* Allow 3 times the listed watts for starting these devices.

Before Starting Generator

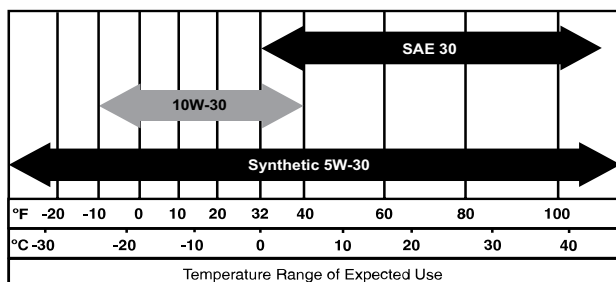
Add engine oil and gasoline to the generator before operation. Proceed as follows:

Add Engine Oil

All oil should meet minimum American Petroleum Institute (API) Service Class SJ, SL or better. Use no special additives. Select the oil's viscosity grade according to the expected operating temperature (also see chart).

- Above 40° F, use SAE 30
- Below 40° F and down to 10° F, use 10W-30
- All temperatures, use synthetic 5W-30

Use petroleum based oil for engine break-in before using synthetic oil.

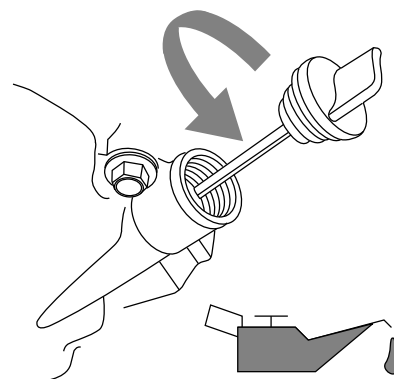


000399

CAUTION Any attempt to crank or start the engine before adding the recommended type and quantity of engine oil can result in engine damage.

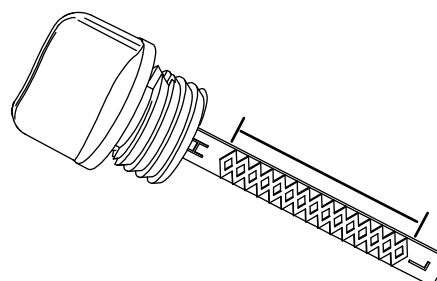
Inspect engine oil level prior to each use, or every 8 hours of operation.

1. Place generator on a level surface.
2. Clean area around oil fill.
3. Remove oil fill cap and wipe dipstick clean.



000115

4. Screw dipstick into filler neck. Verify oil level is within safe operating range as shown.



000116

5. Add recommended engine oil as necessary.
6. Replace oil fill cap and hand-tighten.

NOTICE: Some units have more than one oil fill location. It is only necessary to use one oil fill point.

Fuel

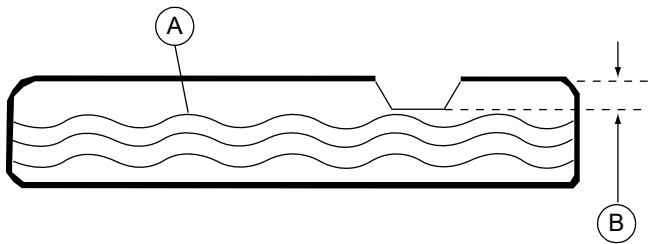
DANGER Never fill fuel tank indoors. Never fill fuel tank when engine is running or hot. Do not spill gasoline on a hot engine. Allow engine to cool before filling fuel tank.

DANGER Do not overfill fuel tank. Always leave room for fuel expansion. If fuel tank is overfilled, fuel can overflow onto a hot engine causing FIRE or EXPLOSION. Wipe up any spilled fuel immediately.

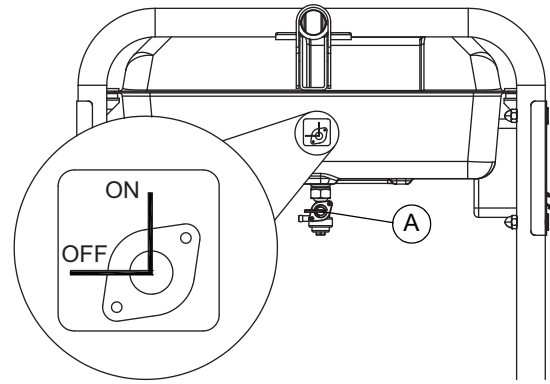
⚠ DANGER Gasoline is highly **FLAMMABLE** and its vapors are **EXPLOSIVE**. Never permit smoking, open flames, sparks or heat in the vicinity while handling gasoline.

Fuel requirements are as follows:

- Clean, fresh, unleaded gasoline.
 - Minimum rating of 87 octane/87 AKI (91 RON).
 - Up to 10% ethanol (gasohol) is acceptable (where available; non-ethanol premium fuel is recommended).
 - **DO NOT** use E85.
 - **DO NOT** use a gas oil mix.
 - **DO NOT** modify engine to run on alternate fuels. Stabilize fuel prior to storage.
1. Verify unit is OFF and cooled for a minimum of two minutes prior to fueling.
 2. Place unit on level ground in a well ventilated area.
 3. Clean area around fuel cap and remove cap slowly.
 4. Slowly add recommended fuel (A). Do not fill above lip (B).
 5. Install fuel cap.

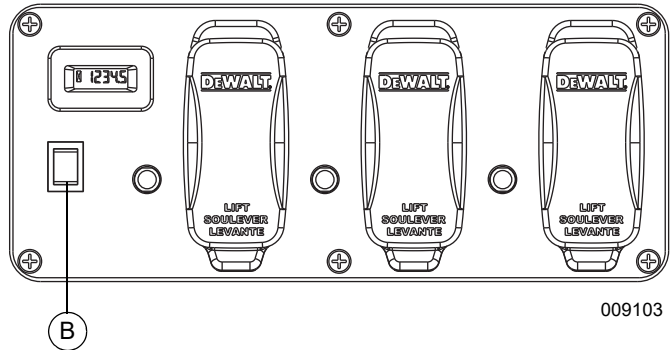


000400



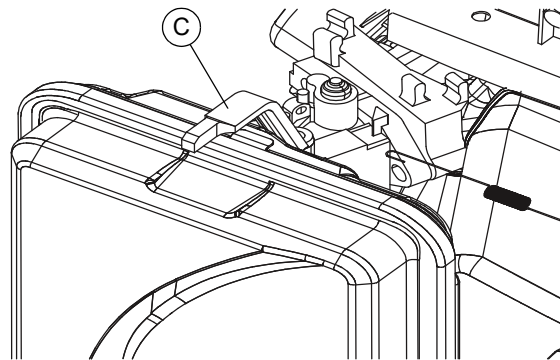
000208

4. Turn engine Run/Stop switch (B) to Run (manual start only).



009103

5. Slide engine choke (C) to Full Choke position (left).



000209

NOTICE: Allow spilled fuel to evaporate before starting unit.

IMPORTANT: It is important to prevent gum deposits from forming in fuel system parts such as the carburetor, fuel hose or tank during storage. Alcohol-blended fuels (called gasohol, ethanol or methanol) can attract moisture, which leads to separation and formation of acids during storage. Acidic gas can damage the fuel system of an engine while in storage. To avoid engine problems, the fuel system should be emptied before storage of 30 days or longer. See the **Storage** section. Never use engine or carburetor cleaner products in the fuel tank as permanent damage may occur.

Starting Pull Start Engines

⚠ CAUTION Equipment and property damage. Disconnect electrical loads prior to starting or stopping unit. Failure to do so could result in equipment and property damage.

1. Unplug all electrical loads from the unit's receptacles before starting engine.
2. Place generator on a level surface.
3. Open the fuel shut-off valve (A).

6. Firmly grasp recoil handle and pull slowly until increased resistance is felt. Pull rapidly up and away.
7. When engine starts, move choke knob to 1/2-choke position until engine runs smoothly, then fully into Run position. If engine falters, move choke back to 1/2-choke position until engine runs smoothly, then to Run position.
8. If engine fires, but does not continue to run, move choke lever to Full Choke and repeat starting instructions.

IMPORTANT: Do not overload the generator. Also, do not overload individual panel receptacles. These outlets are protected against overload with push-to-reset type circuit breakers. If amperage rating of any circuit breaker is exceeded, that breaker opens and electrical output to that receptacle is lost. Read "Don't Overload the Generator" carefully.

NOTICE: If engine fires, but does not continue to run, move choke lever to Full Choke and repeat starting instructions.

IMPORTANT: Do not overload generator or individual panel receptacles. These outlets are overload protected with push-to-reset circuit breakers. If amperage rating of any circuit breaker is exceeded, that breaker opens and electrical output to that receptacle is lost. Read **Know Generator Limits** carefully.

Generator Shut Down

CAUTION Equipment and property damage. Disconnect electrical loads prior to starting or stopping unit. Failure to do so could result in equipment and property damage.

1. Shut off all loads and unplug electrical loads from generator panel receptacles.
2. Let engine run at no-load for several minutes to stabilize internal temperatures of engine and generator.
3. Move Run/Stop switch to Stop.
4. Close fuel valve.

NOTICE: Under normal conditions, close fuel valve and allow generator to run carburetor bowl out of fuel. For emergencies, switch to Stop.

Low Oil Level Shutdown System

The engine is equipped with a low oil level sensor that shuts down the engine automatically when the oil level drops below a specified level. The engine will not run until the oil has been filled to the proper level.

If the engine shuts down and there is sufficient fuel, check engine oil level.

Maintenance

Maintenance Recommendations

Regular maintenance will improve performance and extend generator life. See a qualified dealer for service.

Generator warranty does not cover items subjected to operator abuse or negligence. To receive full warranty value, operator must maintain generator as instructed in this manual, including proper storage as detailed in Winter Storage and Long Term Storage.

NOTICE: Call 1-888-431-6871 with questions about component replacement.

Maintenance Schedule

Follow maintenance schedule intervals, whichever occurs first according to use.

NOTICE: Adverse conditions will require more frequent service.

NOTICE: All required service and adjustments should be each season as detailed in the following chart.

Maintenance Task	As Needed	At Each Use	Every Season	Every 100 Hours	Every 200 Hours or Yearly
Clean Exterior Surfaces	X				
Check Engine Oil Level		X			
Clean Spark Arrestor				X	
Change Engine Oil *			X	X	
Clean/ Replace Air Filter **			X		X
Replace Spark Plug			X		
Replace Fuel Filter			X		
Check/ Adjust Valve Clearance ***			X		
<p>* Change engine oil after first 30 hours of operation. Change every month when operating under heavy load or in high temperatures.</p> <p>** Clean air filter more often under dirty or dusty conditions. Replace parts if they cannot be adequately cleaned.</p> <p>*** Check valve clearance after first 50 hours of operation and adjust if necessary.</p>					

Product Specifications

Generator Specifications	
Rated Power @ 1.0 Power Factor	4.0 kW**
Surge Power	5.0 kVA
Rated AC Voltage	120
Rated AC Load Current @ 120V	33.3 Amps**
Rated Frequency	60 Hz @3600 RPM
Phase	Single Phase
Unit Weight	55 kg (120 lb.)
Unit Dimensions	L = 703mm (27.7") x W = 585mm (23.0") x H = 543mm (21.4")
<p>** Operating Temperature Range: -18° C (0° F) to 40° C (104° F). When operated above 25° C (77° F) there may be a decrease in power.</p> <p>** Maximum wattage and current are subject to, and limited by, such factors as fuel Btu content, ambient temperature, altitude, engine condition, etc. Maximum power decreases about 3.5% for each 1,000 feet above sea level; and will also decrease about 1% for each 6° C (10° F) above 16° C (60° F) ambient temperature.</p>	
Engine Specifications	
Displacement	223cc
Spark Plug Part Number	0H33750169
Spark Plug Type	F6TC
Spark Plug Gap	0.020-0.028 inch or (0.5-0.7 mm)
Gasoline Capacity	13 L (3.4 U.S. gallons)
Oil Type	See Chart in Before Starting Generator
Oil Capacity	0.5 Liters (0.54 qt.)
Run Time (50% Load)	10 Hours

Preventive Maintenance

Dirt or debris can cause improper operation and equipment damage. Clean generator daily or before each use. Keep area around and behind muffler free from combustible debris. Inspect all cooling air openings on generator.

⚠ WARNING Do not insert any object through the air cooling slots. Generator can start at any time and could result in death, serious injury and unit damage.

- Use a damp cloth to wipe exterior surfaces clean.
- Use a soft bristle brush to loosen caked on dirt, oil, etc.
- Use a vacuum to pick up loose dirt and debris.
- Low pressure air (not to exceed 25 psi) may be used to blow away dirt. Inspect cooling air slots and openings on generator. These openings must be kept clean and unobstructed.

NOTICE: DO NOT use a garden hose to clean generator. Water can enter engine fuel system and cause problems. If water enters generator through cooling air slots, some water will be retained in voids and crevices of rotor and stator winding insulation. Water and dirt buildup on generator internal windings will decrease insulation resistance of windings.

Engine Maintenance

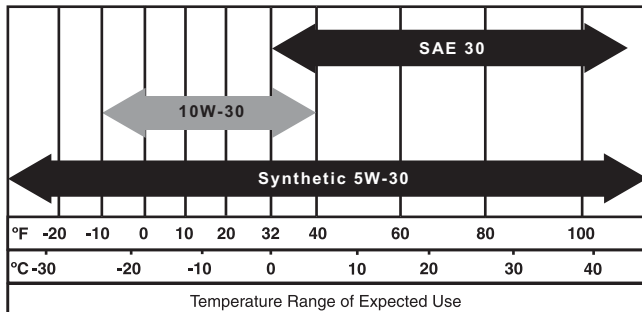
WARNING Accidental start-up. Disconnect spark plug wires when working on unit. Failure to do so could result in death or serious injury.

Engine Oil Recommendations

All oil should meet minimum American Petroleum Institute (API) Service Class SJ, SL or better. Use no special additives. Select the oil's viscosity grade according to the expected operating temperature (also see chart).

- Above 40° F, use SAE 30
- Below 40° F and down to 10° F, use 10W-30
- All temperatures, use synthetic 5W-30

Use petroleum based oil for engine break-in (30 hours) before using synthetic oil.

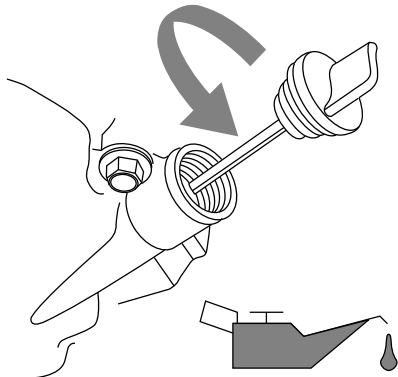


000399

CAUTION Any attempt to crank or start the engine before adding the recommended type and quantity of engine oil can result in engine damage.

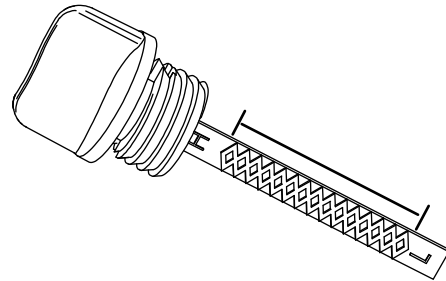
Inspect engine oil level prior to each use, or every 8 hours of operation.

1. Place generator on a level surface.
2. Clean area around oil fill.
3. Remove oil fill cap and wipe dipstick clean.



000115

4. Screw dipstick into filler neck. Verify oil level is within safe operating range as shown.



000116

5. Add recommended engine oil as necessary.
6. Replace oil fill cap and hand-tighten.

NOTICE: Some units have more than one oil fill location. It is only necessary to use one oil fill point.

Change Engine Oil

WARNING Accidental start-up. Disconnect spark plug wires when working on unit. Failure to do so could result in death or serious injury.

When using generator under extreme, dirty, dusty conditions, or in extremely hot weather, change oil more frequently.

NOTICE: Don't pollute. Conserve resources. Return used oil to collection centers.

Change oil while engine is still warm from running, as follows:

1. Place generator on a level surface.
2. Disconnect the spark plug wire from the spark plug and place the wire where it cannot contact spark plug.
3. Clean area around oil fill, and oil drain plug.
4. Remove oil fill cap.
5. Remove oil drain plug and drain oil completely into a suitable container.
6. Install oil drain plug and tighten securely.
7. Slowly pour oil into oil fill opening until oil level is between L and H marks on dipstick. DO NOT overfill.
8. Install oil fill cap, and finger tighten.
9. Wipe up any spilled oil.
10. Properly dispose of oil in accordance with all applicable regulations.

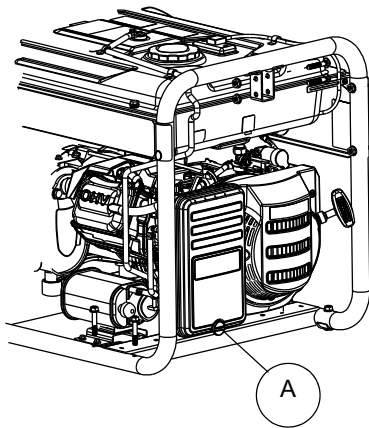
Air Filter

Engine will not run properly and may be damaged if run with a dirty air filter. Service air filter more frequently in dirty or dusty conditions.

To service air filter:

1. Turn knob (A) and remove air filter cover.
2. Wash in soapy water. Squeeze filter dry in clean cloth (DO NOT TWIST).
3. Clean air filter cover before re-installing it.

NOTICE: To order a new air filter, contact the nearest authorized service center at 1-888-431-6871.

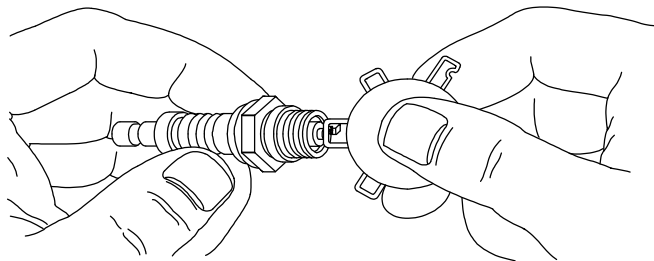


000809

Service Spark Plug

To service spark plug:

1. Clean area around spark plug.
2. Remove and inspect spark plug.
3. Inspect electrode gap with wire feeler gauge and reset spark plug gap to 0.020 - 0.028 in (0.5 - 0.7 mm).



000211

NOTICE: Replace spark plug if electrodes are pitted, burned or porcelain is cracked. Use ONLY recommended replacement plug. See Specifications.

4. Install spark plug finger tight, and tighten an additional 3/8 to 1/2 turn using spark plug wrench.

Valve Clearance

IMPORTANT: If uncomfortable about doing this procedure, or the proper tools are not available, take generator to the nearest service center to have valve clearance adjusted.

Check valve clearance after the first fifty-hours of operation. Adjust as necessary.

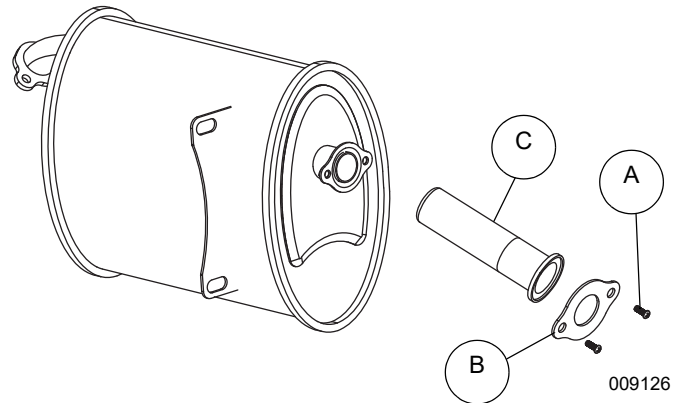
- Intake — 0.10-0.15mm (cold), (0.004-0.006 inches)
- Exhaust — 0.15-0.20mm (cold), (0.006-0.008 inches)

Inspect Spark Arrester Screen



WARNING Hot Surfaces. When operating machine, do not touch hot surfaces. Keep machine away from combustibles during use. Hot surfaces could result in severe burns or fire.

1. Remove screws (A) and cover plate (B).
2. Inspect screen (C) and replace if torn, perforated or otherwise damaged. If screen is not damaged, clean with commercial solvent.
3. Replace spark arrester screen (C) and cover plate (B). Secure with screws (A).



009126

Storage

General

It is recommended to start and run the generator for 30 minutes, every 30 days. If this is not possible, refer to the following list to prepare unit for storage.

- DO NOT place a storage cover on a hot generator. Allow unit to cool to room temperature before storage.
- DO NOT store fuel from one season to another unless properly treated.
- Replace fuel container if rust is present. Rust in fuel will cause fuel system problems.
- Cover unit with a suitable protective, moisture resistant cover.
- Store unit in a clean and dry area.
- Always store generator and fuel away from heat and ignition sources.

Prepare Fuel System/Engine for Storage

Fuel stored over 30 days can go bad and damage fuel system components. Keep fuel fresh, use fuel stabilizer.

If fuel stabilizer is added to fuel system, prepare and run engine for long term storage. Run engine for 10-15 minutes to circulate stabilizer throughout fuel system. Adequately prepared fuel can be stored up to 24 months.



NOTICE: If fuel has not been treated with fuel stabilizer, it must be drained into an approved container. Run engine until it stops from lack of fuel. Use of fuel stabilizer in fuel storage container is recommended to keep fuel fresh.

1. Change engine oil.
2. Remove spark plug.

3. Pour tablespoon (5-10cc) of clean engine oil or spray a suitable fogging agent into cylinder.

⚠ WARNING Vision Loss. Eye protection is required to avoid spray from spark plug hole when cranking engine. Failure to do so could result in vision loss.

4. Pull starter recoil several times to distribute oil in cylinder.
5. Install spark plug.
6. Pull recoil slowly until resistance is felt. This will close valves so moisture cannot enter engine cylinder. Gently release recoil.

Change Oil

Change engine oil before storage. See, subsection [Change Engine Oil](#) .

Troubleshooting

PROBLEM	CAUSE	CORRECTION
Engine is running, but AC output is not available.	<ol style="list-style-type: none"> 1. Circuit breaker OPEN. 2. Poor connection or defective cord set. 3. Connected device is bad. 4. Fault in generator. 5. GFCI receptacle is OPEN (if equipped). 	<ol style="list-style-type: none"> 1. Reset circuit breaker. 2. Check and repair. 3. Connect another device that is in good condition. 4. Contact IASD. 5. Correct ground fault and press reset button on GFCI receptacle (if equipped).
Engine runs well at no-load, but bogs when load is applied.	<ol style="list-style-type: none"> 1. Short circuit in a connected load. 2. Generator is overloaded. 3. Engine speed is too slow. 4. Shorted generator circuit. 5. Dirty fuel filter. 	<ol style="list-style-type: none"> 1. Disconnect shorted electrical load. 2. See Know Generator Limits. 3. Contact IASD. 4. Contact IASD. 5. Replace fuel filter.
Engine will not start; or starts and runs rough.	<ol style="list-style-type: none"> 1. Fuel shut-off is OFF. 2. Dirty air filter. 3. Out of fuel. 4. Stale fuel. 5. Spark plug wire not connected to spark plug. 6. Bad spark plug. 7. Water in fuel. 8. Overchoking. 9. Low oil level. 10. Excessive rich fuel mixture. 11. Intake valve stuck open or closed. 12. Engine lost compression. 13. Dirty fuel filter. 	<ol style="list-style-type: none"> 1. Turn fuel shut-off ON. 2. Clean or replace air filter. 3. Fill fuel tank. 4. Drain fuel tank and fill with fresh fuel. 5. Connect wire to spark plug. 6. Replace spark plug. 7. Drain fuel tank; fill with fresh fuel. 8. Set choke to no choke position. 9. Fill crankcase to correct level. 10. Contact IASD. 11. Contact IASD. 12. Contact IASD. 13. Replace fuel filter.
Engine shuts down during operation.	<ol style="list-style-type: none"> 1. Out of fuel. 2. Low oil level. 3. Fault in engine. 4. CO PROTECT shut-off due to accumulating carbon monoxide if a RED light blinks on the side panel badge. 5. CO PROTECT shut-off due to a system fault if a YELLOW light blinks on the side panel badge. 	<ol style="list-style-type: none"> 1. Fill fuel tank. 2. Fill crankcase to correct level. 3. Contact IASD. 4. Follow all Safety Instructions and relocate generator to an open area outside, far away from windows, doors and vents. 5. Start to confirm YELLOW light blinks when/if generator shuts-off. If CO PROTECT continues to fault and shut-off, contact IASD.
Engine lacks power.	<ol style="list-style-type: none"> 1. Load is too high. 2. Dirty air filter. 3. Engine needs to be serviced. 4. Choke is partially closed. 5. Dirty fuel filter. 6. Spark arrestor clogged. 	<ol style="list-style-type: none"> 1. Reduce load (see Know Generator Limits). 2. Clean or replace air filter. 3. Contact IASD. 4. Set choke lever to no choke position. 5. Replace fuel filter. 6. Clean spark arrestor.
Engine surges or stumbles.	<ol style="list-style-type: none"> 1. Choke is opened too soon. 2. Carburetor is running too rich or too lean. 3. Dirty fuel filter. 	<ol style="list-style-type: none"> 1. Set choke to halfway position until engine runs smoothly. 2. Contact IASD. 3. Replace fuel filter.
Engine starts and shuts off immediately.	<ol style="list-style-type: none"> 1. CO PROTECT shut-off due to accumulating carbon monoxide if a RED light blinks on the side panel badge. 2. CO PROTECT shut-off due to a system fault if a YELLOW light blinks on the side panel badge. 	<ol style="list-style-type: none"> 1. Follow all Safety Instructions and relocate generator to an open area outside, far away from windows, doors and vents. 2. Start to confirm YELLOW light blinks when/if generator shuts-off. If CO PROTECT continues to fault and shut-off, contact IASD.

DEWALT® is a registered trademark of DEWALT Industrial Tool Co., used under license.
The yellow/black color scheme is a trademark for DEWALT power tools and accessories.

Part No. 10000043083 Rev. A 11/01/2018
©2018 DEWALT
All rights reserved
Specifications are subject to change without notice.
No reproduction allowed in any form without prior written
consent from DEWALT

Product Manufactured by:
Generac Power Systems, Inc.
S45 W29290 Hwy. 59
Waukesha, WI 53189