

If you have questions or comments, contact us.
 Pour toute question ou tout commentaire, nous contacter.
 Si tiene dudas o comentarios, contáctenos.

1-800-4-DEWALT • www.dewalt.com

INSTRUCTIVO DE OPERACIÓN, CENTROS DE SERVICIO Y PÓLIZA DE GARANTÍA. ADVERTENCIA: LEÁSE ESTE INSTRUCTIVO ANTES DE USAR EL PRODUCTO.

INSTRUCTION MANUAL
 GUIDE D'UTILISATION
 MANUAL DE INSTRUCCIONES

DEWALT®

D28605

Heavy-Duty 5/16" (7.9 mm) Fiber-Cement Siding Shear
 Cisaille robuste pour parement de fibrociment de 7,9 mm (5/16 po)
 Cizalla para revestimientos de fibrocemento de 7,9 mm (5/16 pulgada), para trabajo pesado

DEWALT Industrial Tool Co., 701 East Joppa Road, Baltimore, MD 21286.

(JAN09) Part No. N025533 D28605 Copyright © 2006, 2009 DEWALT

The following are trademarks for one or more DEWALT power tools: the yellow and black color scheme; the "D" shaped air intake grill; the array of pyramids on the handgrip; the kit box configuration; and the array of lozenge-shaped humps on the surface of the tool.

Definitions: Safety Guidelines

The definitions below describe the level of severity for each signal word. Please read the manual and pay attention to these symbols.

▲DANGER: Indicates an imminently hazardous situation which, if not avoided, will result in **death or serious injury**.

▲WARNING: Indicates a potentially hazardous situation which, if not avoided, could result in **death or serious injury**.

▲CAUTION: Indicates a potentially hazardous situation which, if not avoided, may result in **minor or moderate injury**.

CAUTION: Used without the safety alert symbol indicates a potentially hazardous situation which, if not avoided, may result in **property damage**.

IF YOU HAVE ANY QUESTIONS OR COMMENTS ABOUT THIS OR ANY DEWALT TOOL, CALL US TOLL FREE AT: 1-800-4-DEWALT (1-800-433-9258).

WARNING: To reduce the risk of injury, read the instruction manual.

General Power Tool Safety Warnings

WARNING! Read all safety warnings and all instructions. Failure to follow the warnings and instructions may result in electric shock, fire and/or serious injury.

SAVE ALL WARNINGS AND INSTRUCTIONS FOR FUTURE REFERENCE

The term "power tool" in the warnings refers to your mains-operated (corded) power tool or battery-operated (cordless) power tool.

1) WORK AREA SAFETY

- Keep work area clean and well lit. Cluttered or dark areas invite accidents.
- Do not operate power tools in explosive atmospheres, such as in the presence of flammable liquids, gases or dust. Power tools create sparks which may ignite the dust or fumes.
- Keep children and bystanders away while operating a power tool. Distractions can cause you to lose control.

2) ELECTRICAL SAFETY

- Power tool plugs must match the outlet. Never modify the plug in any way. Do not use any adapter plugs with earthed (grounded) power tools. Unmodified plugs and matching outlets will reduce risk of electric shock.
- Avoid body contact with earthed or grounded surfaces such as pipes, radiators, ranges and refrigerators. There is an increased risk of electric shock if your body is earthed or grounded.
- Do not expose power tools to rain or wet conditions. Water entering a power tool will increase the risk of electric shock.
- Do not abuse the cord. Never use the cord for carrying, pulling or unplugging the power tool. Keep cord away from heat, oil, sharp edges or moving parts. Damaged or entangled cords increase the risk of electric shock.
- When operating a power tool outdoors, use an extension cord suitable for outdoor use. Use of a cord suitable for outdoor use reduces the risk of electric shock.
- If operating a power tool in a damp location is unavoidable, use a residual current device (RCD) protected supply. Use of an RCD reduces the risk of electric shock.

3) PERSONAL SAFETY

- Stay alert, watch what you are doing and use common sense when operating a power tool. Do not use a power tool while you are tired or under the influence of drugs, alcohol or medication. A moment of inattention while operating power tools may result in serious personal injury.
- Use personal protective equipment. Always wear eye protection. Protective equipment such as dust mask, non-skid safety shoes, hard hat, or hearing protection used for appropriate conditions will reduce personal injuries.

- Prevent unintentional starting. Ensure the switch is in the off position before connecting to power source and/or battery pack, picking up or carrying the tool. Carrying power tools with your finger on the switch or energising power tools that have the switch on invites accidents.
- Remove any adjusting key or wrench before turning the power tool on. A wrench or a key left attached to a rotating part of the power tool may result in personal injury.
- Do not overreach. Keep proper footing and balance at all times. This enables better control of the power tool in unexpected situations.
- Dress properly. Do not wear loose clothing or jewellery. Keep your hair, clothing and gloves away from moving parts. Loose clothes, jewellery or long hair can be caught in moving parts.
- If devices are provided for the connection of dust extraction and collection facilities, ensure these are connected and properly used. Use of dust collection can reduce dust-related hazards.

4) POWER TOOL USE AND CARE

- Do not force the power tool. Use the correct power tool for your application. The correct power tool will do the job better and safer at the rate for which it was designed.
- Do not use the power tool if the switch does not turn it on and off. Any power tool that cannot be controlled with the switch is dangerous and must be repaired.
- Disconnect the plug from the power source and/or the battery pack from the power tool before making any adjustments, changing accessories, or storing power tools. Such preventive safety measures reduce the risk of starting the power tool accidentally.
- Store idle power tools out of the reach of children and do not allow persons unfamiliar with the power tool or these instructions to operate the power tool. Power tools are dangerous in the hands of untrained users.
- Maintain power tools. Check for misalignment or binding of moving parts, breakage of parts and any other condition that may affect the power tool's operation. If damaged, have the power tool repaired before use. Many accidents are caused by poorly maintained power tools.
- Keep cutting tools sharp and clean. Properly maintained cutting tools with sharp cutting edges are less likely to bind and are easier to control.
- Use the power tool, accessories and tool bits etc., in accordance with these instructions taking into account the working conditions and the work to be performed. Use of the power tool for operations different from those intended could result in a hazardous situation.

5) SERVICE

- Have your power tool serviced by a qualified repair person using only identical replacement parts. This will ensure that the safety of the power tool is maintained.

Additional Safety Rules

- Hold power tools by insulated gripping surfaces when performing an operation where the cutting tool may contact hidden wiring or its own cord. Contacting a "live" wire may make exposed metal parts of the tool "live" and shock the operator.
- Keep hands away from cutting area. A moment of inattention while operating power tools may result in serious personal injury.
- Stay clear of end pieces that may fall after being cut off. Contact with a sharp edge could result in personal injury.
- Always keep the power cord away from the edge of the material being sheared. Sharp edges can result in the cord insulation being cut. This condition may create an electrical hazard.
- Air vents often cover moving parts and should be avoided. Loose clothes, jewellery or long hair can be caught in moving parts.
- An extension cord must have adequate wire size (AWG or American Wire Gauge) for safety. The smaller the gauge number of the wire, the greater the capacity of the cable, that is 16 gauge has more capacity than 18 gauge. An undersized cord will cause a drop in line voltage resulting in loss of power and overheating. When using more than one extension to make up the total length, be sure each individual extension contains at least the minimum wire size. The following table shows the correct size to use depending on cord length and nameplate ampere rating. If in doubt, use the next heavier gauge. The smaller the gauge number, the heavier the cord.

Ampere Rating		Minimum Gauge for Cord Sets				
		Volts	Total Length of Cord in Feet (meters)			
More Than	Not More Than	120V	25 (7.6)	50 (15.2)	100 (30.5)	150 (45.7)
		240V	50 (15.2)	100 (30.5)	200 (61.0)	300 (91.4)
		AWG				
0	6		18	16	16	14
6	10		18	16	14	12
10	12		16	16	14	12
12	16		14	12	Not Recommended	

- ALWAYS use safety glasses. Everyday eyeglasses are NOT safety glasses. Also use face or dust mask if cutting operation is dusty. ALWAYS WEAR CERTIFIED SAFETY EQUIPMENT:

- ANSI Z87.1 eye protection (CAN/CSA Z94.3)
- ANSI S12.6 (S3.19) hearing protection
- NIOSH/OSHA respiratory protection

▲WARNING: Some dust created by power sanding, sawing, grinding, drilling, and other construction activities contains chemicals known to cause cancer, birth defects or other reproductive harm. Some examples of these chemicals are:

- lead from lead-based paints,
- crystalline silica from bricks and cement and other masonry products, and
- arsenic and chromium from chemically-treated lumber (CCA).

Your risk from these exposures varies, depending on how often you do this type of work. To reduce your exposure to these chemicals: work in a well ventilated area, and work with approved safety equipment, such as those dust masks that are specially designed to filter out microscopic particles.

- Avoid prolonged contact with dust from power sanding, sawing, grinding, drilling, and other construction activities. Wear protective clothing and wash exposed areas with soap and water. Allowing dust to get into your mouth, eyes, or lay on the skin may promote absorption of harmful chemicals.

▲WARNING: Use of this tool can generate and/or disburse dust, which may cause serious and permanent respiratory or other injury. Always use NIOSH/OSHA approved respiratory protection appropriate for the dust exposure. Direct particles away from face and body.

▲WARNING: Always wear proper personal hearing protection that conforms to ANSI S12.6 (S3.19) during use. Under some conditions and duration of use, noise from this product may contribute to hearing loss.

- The label on your tool may include the following symbols. The symbols and their definitions are as follows:

V.....volts	A.....amperes
Hz.....hertz	W.....watts
min.....minutes	~alternating current
====direct current	≡alternating or direct current
ⓁClass I Construction (grounded)	n0no load speed
ⓂClass II Construction (double insulated)	Ⓧearthing terminal
.../minper minute	▲safety alert symbol
	BPM.....beats per minute
	RPMrevolutions per minute

Introduction

The D28605 5/16" (7.9 mm) Fiber-Cement Siding Shear is designed for cutting cement board/siding. You can make both straight and curved cuts with a minimum radius of 7" (175 mm). The shear removes a 1/4" (6.35 mm) wide piece of waste material.

Switch (Fig. 1)

To start tool, depress trigger switch. To stop tool, release the trigger.

The **variable speed trigger switch** permits speed control. The farther the trigger is depressed, the higher the speed of the shear.

Disassembly and Assembly (Fig. 1, 2)

⚠ WARNING: To reduce the risk of serious personal injury, turn tool off and disconnect tool from power source before making any adjustments or removing/installing attachments or accessories.

To remove shear head assembly from motor, loosen 3 cap screws. Remove shear head assembly by pulling head firmly forward. Slight twisting action may be required if head does not slide off easily.

To remove cutter blades from shear head assembly, remove 3 cap screws from shear housing. Be careful not to lose rear spacer bushing when removing middle cap screw. Remove center blade from housing by tapping blade gently towards the rear. Side knife and side spacer will now drop out of the housing.

To remove eccentric bearing assembly from shaft, use an appropriate wrench to loosen eccentric nut by turning counterclockwise.

To install eccentric bearing assembly onto shaft, make sure the large thin washer is first inserted over shaft. Screw eccentric bearing assembly onto shaft and tighten with appropriate wrench. Lubricate bearing with a good grade of bearing grease.

To install cutter blades into shear housing, place the side knife and side spacer into position in the shear housing. Insert center cap screw through side knife and side spacer with rear spacer bushing between them. Start cap screw into thread just enough to hold blades in place. **DO NOT TIGHTEN.** Insert spacer bushing into hole in center blade and lubricate. Install center blade into shear housing by tapping blade gently forward using a drift to line up hole in center blade with forward holes in housing. Insert and tighten forward cap screw making sure spacer bushing in center blade stays in position. Apply good grade of bearing grease to clevis or yoke in center blade where it rides on the eccentric bearing assembly. Insert rear cap screw into shear housing but do not completely tighten.

NOTE: Change the side knives after they show a width wear pattern of 50%. Swap the knives left to right and use them until the patterns meet. When the patterns meet, invert the left and right side knives and use them until they show a width wear pattern of 50%. They can then be swapped from left to right until you use all 4 sides of the blades. Never exceed 10,000 feet of cutting on a set of side knives. The tool will continue to cut after these landmarks are reached, but the power unit will become overloaded.

To install shear head assembly onto drive motor, make sure all cap screws are loosened about 3 or 4 complete turns. Place shear head onto unit and alternately tighten cap screws snugly to lock head assembly in place (Fig. 4). It may be necessary to gently tap the shear head into place if it does not readily slip onto the nose of the power unit. Tighten all three cap screws to 45-50 in.-lbs. (5.08-5.64 Nm). Failure to tighten the cap screws properly can cause the cap screws to break.

OPERATION

⚠ WARNING: To reduce the risk of serious personal injury, turn tool off and disconnect tool from power source before making any adjustments or removing/installing attachments or accessories.

For accurate work, always clamp or anchor the material to be cut. Line up one edge of the tool's middle blade with the cutting line and advance blades into the material without forced effort or unnecessary pressure. A little practice will enable you to determine what forward pressure gives you the smoothest cutting. It is important to keep the lower surfaces of the side blades flat on the material being cut (Fig. 5). When cutting curves, do not tilt the tool; keep the side blades flat and level. For best cutting efficiency, keep blades sharp.

⚠ CAUTION: Risk of personal injury or damage to the tool. Do not use the shear with any kind of accessory or attachment.

MAINTENANCE

⚠ WARNING: To reduce the risk of serious personal injury, turn tool off and disconnect tool from power source before making any adjustments or removing/installing attachments or accessories.

Lubrication

Self lubricating bearings are used in the tool and periodic relubrication is not required. However, it is recommended that, once a year, you take or send the tool to a service center for a thorough cleaning and inspection.

Cleaning

⚠ WARNING: Blow dirt and dust out of all air vents with clean, dry air at least once a week. To minimize the risk of eye injury, always wear ANSI Z87.1 approved eye protection when performing this.

⚠ WARNING: Never use solvents or other harsh chemicals for cleaning the non-metallic parts of the tool. These chemicals may weaken the plastic materials used in these parts. Use a cloth dampened only with water and mild soap. Never let any liquid get inside the tool; never immerse any part of the tool into a liquid.

Accessories

⚠ WARNING: Since accessories, other than those offered by DEWALT, have not been tested with this product, use of such accessories with this tool could be hazardous. To reduce the risk of injury, only DEWALT, recommended accessories should be used with this product.

Recommended accessories for use with your tool are available at extra cost from your local service center. If you need any assistance in locating any accessory, please contact DEWALT Industrial Tool Co., 701 East Joppa Road, Baltimore, MD 21286, call 1-800-4-DEWALT (1-800-433-9258) or visit our website www.dewalt.com.

Repairs

To assure product SAFETY and RELIABILITY, repairs, maintenance and adjustment (including brush inspection and replacement) should be performed by a DEWALT factory service center, a DEWALT authorized service center or other qualified service personnel. Always use identical replacement parts.

Three Year Limited Warranty

DEWALT will repair, without charge, any defects due to faulty materials or workmanship for three years from the date of purchase. This warranty does not cover part failure due to normal wear or tool abuse. For further detail of warranty coverage and warranty repair information, visit www.dewalt.com or call 1-800-4-DEWALT (1-800-433-9258). This warranty does not apply to accessories or damage caused where repairs have been made or attempted by others. This warranty gives you specific legal rights and you may have other rights which vary in certain states or provinces.

In addition to the warranty, DEWALT tools are covered by our:

1 YEAR FREE SERVICE

DEWALT will maintain the tool and replace worn parts caused by normal use, for free, any time during the first year after purchase.

90 DAY MONEY BACK GUARANTEE

If you are not completely satisfied with the performance of your DEWALT Power Tool, Laser, or Nailer for any reason, you can return it within 90 days from the date of purchase with a receipt for a full refund – no questions asked.

LATIN AMERICA: This warranty does not apply to products sold in Latin America. For products sold in Latin America, see country specific warranty information contained either in the packaging, call the local company or see website for warranty information.

FREE WARNING LABEL REPLACEMENT: If your warning labels become illegible or are missing, call 1-800-4-DEWALT for a free replacement.



FIG. 1

SHEAR HEAD ASSEMBLY
ENSEMBLE DE LA TÊTE DE CISAILLE
ENSAMBLADO DE LA CABEZA DE LA CORTADORA

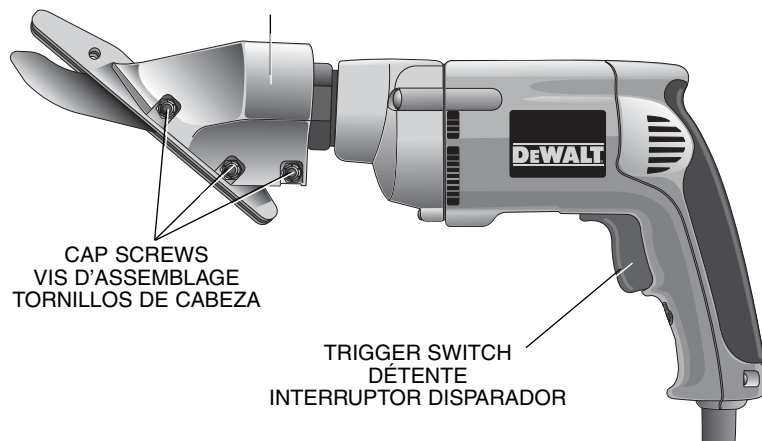


FIG. 2

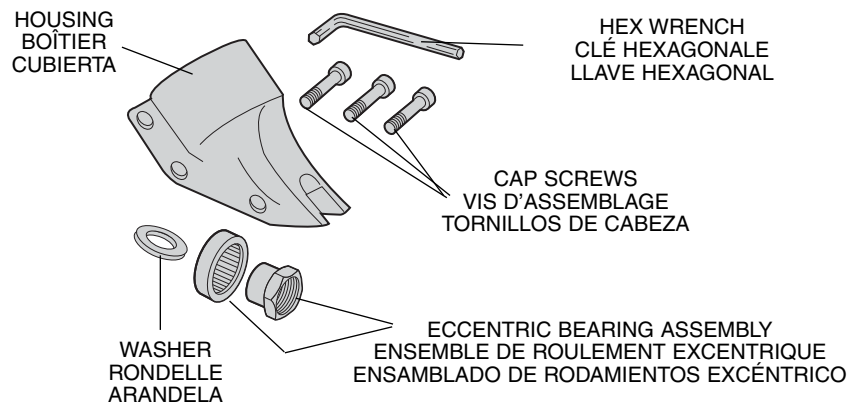


FIG. 3

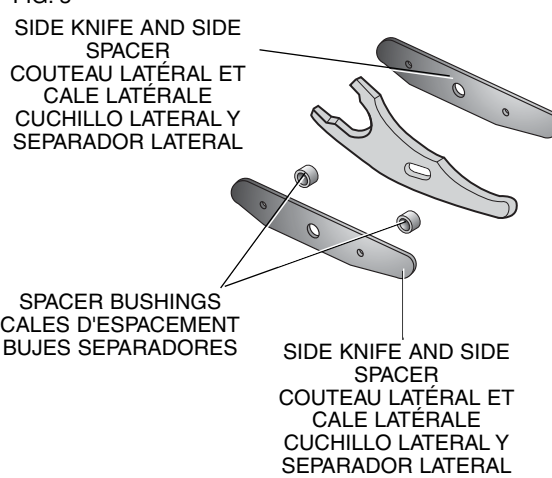


FIG. 4

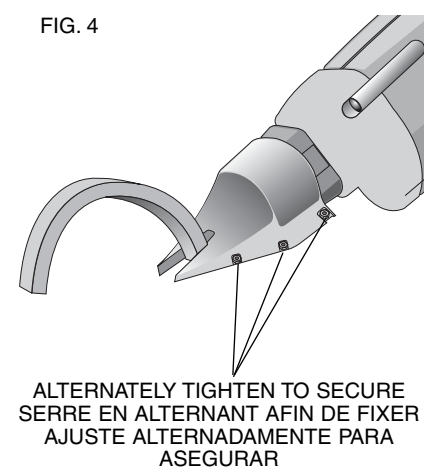


FIG. 5



Définitions : lignes directrices en matière de sécurité

Les définitions ci-dessous décrivent le niveau de danger pour chaque mot-indicateur employé. Veuillez lire le mode d'emploi et porter une attention particulière à ces symboles.

⚠ DANGER : indique une situation dangereuse imminente qui, si elle n'est pas évitée, causera la mort ou des blessures graves.

⚠ AVERTISSEMENT : indique une situation potentiellement dangereuse qui, si elle n'est pas évitée, pourrait se solder par un décès ou des blessures graves.

⚠ ATTENTION : indique une situation potentiellement dangereuse qui, si elle n'est pas évitée pourrait se solder par des blessures mineures ou modérées.

ATTENTION : utilisé sans le symbole d'alerte à la sécurité, indique une situation potentiellement dangereuse qui, si elle n'est pas évitée pourrait se solder par des dommages à la propriété.

POUR TOUT COMMENTAIRE OU QUESTION RELATIF À CET OUTIL OU TOUT AUTRE OUTIL DEWALT, COMPOSEZ GRATUITEMENT LE : 1-800-4-DEWALT (1-800-433-9258).

⚠ AVERTISSEMENT : Pour réduire tout risque de dommage corporel, lire le manuel de l'utilisateur.

Directives de sécurité relatives aux outils électriques en général

⚠ AVERTISSEMENT : Lire toutes les directives et consignes de sécurité. Tout manquement aux directives et consignes pose des risques de décharge électrique, d'incendie et/ou de blessure grave.

CONSERVER TOUTES CES DIRECTIVES ET CONSIGNES À TITRE DE RÉFÉRENCE

Le terme « outil électrique » dans ces directives se rapporte à votre outil électrique alimenté sur secteur (avec fil) ou par piles (sans fil).

1) SÉCURITÉ - AIRE DE TRAVAIL

a) **Maintenir l'aire de travail propre et bien éclairée.** Les lieux encombrés ou sombres sont propices aux accidents.

b) **Ne pas faire fonctionner un outil électrique dans une atmosphère explosive, en présence par exemple de poussières, gaz ou liquides inflammables.** Les outils électriques peuvent produire des étincelles qui pourraient enflammer toute émanation ou poussière ambiante.

c) **Tenir les enfants, ou toute autre personne, à l'écart pendant l'utilisation d'un outil électrique.** Toute distraction pourrait faire perdre la maîtrise de l'appareil.

2) SÉCURITÉ – ÉLECTRICITÉ

a) **La fiche électrique de l'outil doit correspondre à la prise murale. Ne jamais modifier la fiche en aucune façon. Ne jamais utiliser de fiche d'adaptation avec un outil électrique mis à la terre.** L'utilisation de fiches d'origine et de prises appropriées réduira les risques de choc électrique.

- b) **Éviter tout contact corporel avec des éléments mis à la terre comme tuyaux, radiateurs, cuisinières ou réfrigérateurs.** Les risques de choc électrique augmentent lorsque le corps est mis à la terre.
- c) **Ne pas exposer les outils électriques à la pluie ou à l'humidité.** Toute pénétration d'un outil électrique par un liquide augmente les risques de choc électrique.
- d) **Ne pas utiliser le cordon de façon abusive. Ne jamais utiliser le cordon pour transporter, tirer ou débrancher un outil électrique. Protéger le cordon de la chaleur, de l'huile et de tout bord tranchant ou pièce mobile.** Les cordons endommagés ou emmêlés augmentent les risques de choc électrique.
- e) **Lors de l'utilisation d'un outil électrique à l'extérieur, n'utiliser que des rallonges conçues pour l'extérieur.** L'utilisation d'une rallonge conçue pour l'extérieur réduit les risques de choc électrique.
- f) **Si l'utilisation d'un outil électrique en milieu humide est inévitable, utiliser une alimentation protégée par un disjoncteur de fuites à la terre (DDFT).** L'utilisation d'un DDFT réduit les risques de choc électrique.

3) SÉCURITÉ PERSONNELLE

- a) **Rester constamment vigilant et faire preuve de jugement pendant l'utilisation d'un outil électrique. Ne pas utiliser d'outil électrique en cas de fatigue ou sous l'influence de drogues, d'alcool ou de médicaments.** Tout moment d'inattention pendant l'utilisation d'un outil électrique pose des risques de blessure grave.
- b) **Utiliser un équipement de protection individuel. Porter systématiquement des lunettes de protection.** Le fait de porter un équipement de protection tel que masque antipoussières, chaussures antidérapantes, casque de sécurité ou protecteurs auditifs lorsque la situation le requiert, réduira les risques de dommages corporels.
- c) **Prévenir tout démarrage accidentel. S'assurer que l'interrupteur est en position d'arrêt avant de brancher l'outil et/ou de le connecter à un bloc-piles, et avant de le saisir ou de le transporter.** Transporter un outil le doigt sur l'interrupteur, ou brancher un outil électrique alors que l'interrupteur est en position de marche, invite les accidents.
- d) **Retirer toute clé de réglage avant de démarrer l'outil.** Une clé laissée sur une pièce rotative d'un outil électrique pose des risques de blessure.
- e) **Ne pas effectuer de travaux hors de portée. Les pieds doivent rester bien ancrés au sol afin de maintenir son équilibre en tout temps.** Cela permet de mieux maîtriser l'outil électrique dans les situations imprévues.
- f) **Porter des vêtements appropriés. Ne pas porter de vêtements amples ni de bijoux. Maintenir cheveux, vêtements et gants éloignés des pièces mobiles.** Vêtements amples, bijoux ou cheveux longs risquent de rester coincés dans ces pièces mobiles.
- g) **Lorsqu'un dispositif de connexion à un système de dépoussiérage ou d'élimination est fourni, s'assurer qu'il est connecté et utilisé correctement.** L'utilisation d'aspirateurs peut réduire les risques engendrés par les poussières.

4) UTILISATION ET ENTRETIEN DES OUTILS ÉLECTRIQUES

- a) **Ne pas forcer un outil électrique. Utiliser l'outil approprié au travail en cours.** L'outil approprié effectuera un meilleur travail, de façon plus sûre et à la vitesse pour laquelle il a été conçu.
- b) **Ne pas utiliser un outil électrique dont l'interrupteur est défectueux.** Tout appareil dont l'interrupteur est défectueux est dangereux et doit être réparé.
- c) **Débrancher la fiche du secteur et/ou le bloc-piles de l'outil électrique avant de faire tout réglage ou changement d'accessoire, ou avant de ranger ce dernier.** Ces mesures préventives réduisent les risques de démarrage accidentel de l'appareil.
- d) **Après usage, ranger les outils électriques hors de la portée des enfants, et ne permettre à aucune personne n'étant pas familière avec un outil électrique (ou son manuel d'instruction) d'utiliser ce dernier.** Les outils peuvent être dangereux entre les mains des novices.
- e) **Entretenir les outils électriques. Vérifier les pièces mobiles pour s'assurer qu'elles sont bien alignées et tournent librement, qu'elles sont en bon état et ne sont affectées d'aucune condition susceptible de nuire au bon fonctionnement de l'outil. En cas de dommage, faire réparer l'outil électrique avant toute nouvelle utilisation.** Bien des accidents sont causés par des outils mal entretenus.
- f) **Maintenir toute lame aiguisée et propre.** Les outils de coupe bien entretenus et affûtés sont moins susceptibles de se coincer et sont plus faciles à contrôler.
- g) **Utiliser un outil électrique, ses accessoires, mèches, etc., conformément aux présentes directives en tenant compte des conditions de travail et du travail à effectuer.** L'utilisation d'un outil électrique pour toute opération autre que celle pour laquelle il a été conçu est dangereuse.

5) SERVICE

- a) **Faire entretenir les outils électriques par un réparateur qualifié en utilisant seulement des pièces de rechange identiques.** Cela permettra d'assurer l'intégrité de l'outil électrique et la sécurité de l'utilisateur.

Règles de sécurité supplémentaires pour les cisailles à ciment

- Tenir l'outil par sa surface de prise isolée dans une situation où l'outil de coupe peut entrer en contact avec des fils cachés ou avec son propre cordon d'alimentation.** Tout contact avec un fil « sous tension » pourrait également mettre « sous tension » les pièces métalliques exposées de l'outil et électrocuter l'opérateur.
- Éloigner les mains de la zone de découpe.** Un moment d'inattention, durant l'utilisation d'un outil électrique, peut se solder par des blessures graves.
- Se tenir à l'écart des pièces en bout qui pourraient tomber après la coupe.** Un contact avec un bord tranchant risque de se solder par une blessure corporelle.
- Toujours tenir le cordon d'alimentation à l'écart du bord du matériau cisailé.** Les bords tranchants risquent de couper l'isolant du cordon d'alimentation et provoquer un risque d'origine électrique.
- Prendre des précautions à proximité des événements, car ils cachent des pièces mobiles.** Vêtements amples, bijoux ou cheveux longs risquent de rester coincés dans ces pièces mobiles.
- Pour la sécurité de l'utilisateur, utiliser une rallonge de calibre adéquat (AWG, American Wire Gauge [calibrage américain normalisé des fils électriques]).** Plus le calibre est petit, et plus sa capacité est grande. Un calibre 16, par exemple, a plus de capacité qu'un calibre 18. L'usage d'une rallonge de calibre insuffisant causera une chute de tension entraînant perte de puissance et surchauffe. Si plus d'une rallonge est utilisée pour obtenir une certaine longueur, s'assurer que chaque rallonge présente au moins le calibre de fil minimum. Le tableau ci-dessous illustre les calibres à utiliser selon la longueur de rallonge et l'intensité nominale indiquée sur la plaque signalétique. En cas de doute, utiliser le calibre suivant. Plus le calibre est petit, plus la rallonge peut supporter de courant.

Calibres minimaux des rallonges						
Intensité (en ampères)		Volts	Longueur totale de cordon en mètres (pieds)			
		120V	7,6 (25)	15,2 (50)	30,5 (100)	45,7 (150)
		240V	15,2 (50)	30,5 (100)	61,0 (200)	91,4 (300)
Supérieur à	Inférieur à	AWG				
0	6		18	16	16	14
6	10		18	16	14	12
10	12		16	16	14	12
12	16		14	12	Non recommandé	

- TOUJOURS PORTER DES LUNETTES DE SÉCURITÉ.** Les lunettes de vue ne constituent PAS des lunettes de sécurité. Utiliser également un masque facial ou anti-poussière si l'opération de découpe génère de la poussière. **TOUJOURS PORTER UN ÉQUIPEMENT DE PROTECTION HOMOLOGUÉ :**
 - protection oculaire ANSI Z87.1 (CAN/CSA Z94.3),
 - protection auditive ANSI S12.6 (S3.19) et
 - protection des voies respiratoires NIOSH/OSHA.

▲AVERTISSEMENT : Certains outils, tels que les sableuses électriques, les scies, les meules, les perceuses ou certains autres outils de construction, peuvent soulever de la poussière

contenant des produits chimiques susceptibles d'entraîner le cancer, des malformations congénitales ou pouvant être nocifs pour le système reproductif. Parmi ces produits chimiques, on retrouve :

- le plomb dans les peintures à base de plomb;
- la silice cristalline dans les briques et le ciment et autres produits de maçonnerie;
- l'arsenic et le chrome dans le bois de sciage ayant subi un traitement chimique (CCA).

Le risque associé à de telles expositions peut varier selon la fréquence avec laquelle on effectue ces travaux. Pour réduire l'exposition à de tels produits, il faut travailler dans un endroit bien ventilé et utiliser l'équipement de sécurité approprié tel un masque anti-poussières spécialement conçu pour filtrer les particules microscopiques.

- Éviter tout contact prolongé avec la poussière soulevée par cet outil ou autres outils électriques. Porter des vêtements de protection et nettoyer les parties exposées du corps avec de l'eau savonneuse.** S'assurer de bien se protéger afin d'éviter d'absorber par la bouche, les yeux ou la peau des produits chimiques nocifs.

▲AVERTISSEMENT : Cet outil peut produire et répandre de la poussière susceptible de causer des dommages sérieux et permanents au système respiratoire. Toujours utiliser un appareil respiratoire anti-poussières approuvé par le NIOSH ou l'OSHA. Diriger les particules dans le sens opposé du visage et du corps.

▲AVERTISSEMENT : Pendant l'utilisation, porter systématiquement une protection auditive individuelle adéquate homologuée ANSI S12.6 (S3.19). Sous certaines conditions et suivant la longueur d'utilisation, le bruit émanant de ce produit pourrait contribuer à une perte de l'ouïe.

- L'étiquette apposée sur votre outil peut inclure les symboles suivants. Les symboles et leur définition sont définis ci-après :

V.....volts	A..... ampères
Hzhertz	W..... watts
minminutes	~courant alternatif
— — —courant continu	⌚courant alternatif ou continu
ⓁClasse / Fabrication (mis à la terre)	n ₀ vitesse à vide
ⓂClasse II Fabrication (double isolation)	⊖borne de terre
.../minpar minute	▲symbole d'avertissement
	BPMbattements par minute
	RPMtours par minute

Introduction

La cisaille robuste pour parement de fibrociment de 7,9 mm (5/16 po), modèle D28605, est conçue pour la coupe de panneau et revêtement extérieur de ciment. Elle permet de faire des coupes droites ou tournantes [rayon minimum de 175 mm (7 po)]. La cisaille enlève un lambeau de 6,35 mm (1/4 po) de large.

Interrupteur (fig. 1)

Appuyer sur la gâchette pour démarrer l'outil et la relâcher pour l'arrêter.

La **gâchette à vitesses variables** offre la maîtrise de la vitesse. Plus on enfonce la gâchette, plus la vitesse de la cisaille augmente.

Assemblage et démontage (figs. 1, 2)

▲AVERTISSEMENT : *Pour réduire tout risque de dommages corporels graves, arrêter et débrancher l'outil avant tout réglage ou avant de retirer ou installer toute pièce ou tout accessoire.*

Pour séparer l'ensemble de la tête de cisaille, desserrer les trois vis d'assemblage. Tirer fermement l'ensemble de la tête de cisaille vers l'avant. Une légère rotation de celle-ci peut aider à la déboîter.

Pour retirer les lames de couteau de la tête de cisaille, retirer les trois vis d'assemblage du boîtier de la cisaille. Prendre soin de ne pas perdre la cale d'espacement arrière lors du retrait la vis d'assemblage du milieu. Retirer la lame centrale du boîtier en la tapotant délicatement vers l'arrière. Le couteau latéral et la cale latérale se déboîteront également.

Pour retirer l'ensemble de roulement excentrique de l'arbre, utiliser une clé appropriée pour desserrer l'écrou excentrique en tournant en sens antihoraire.

Pour réinstaller l'ensemble de roulement excentrique sur l'arbre, s'assurer d'enfiler d'abord la rondelle mince sur l'arbre. Visser ensemble sur l'arbre et le serrer avec la clé appropriée. Lubrifier le roulement avec de la graisse à roulement de haute qualité.

Pour insérer les couteaux dans le boîtier de la cisaille, positionner le couteau latéral et la cale latérale dans le boîtier. Insérer la vis d'assemblage du milieu dans le couteau et sa cale tout en positionnant la cale d'espacement arrière entre ceux-ci. Visser la vis d'assemblage suffisamment pour tenir les couteaux en place. **NE PAS SERRER.** Insérer la cale d'espacement dans le trou au centre du couteau et lubrifier. Insérer le couteau central dans le boîtier de la cisaille en tapotant doucement le couteau vers l'avant jusqu'à ce que le trou du couteau s'aligne avec les trous avant du boîtier. Insérer et serrer la vis d'assemblage avant et s'assurer que la cale d'espacement du couteau central demeure en position. Appliquer de la graisse à roulement de haute qualité sur la manille d'assemblage du couteau central où s'appuie l'ensemble du roulement excentrique. Insérer la vis d'assemblage arrière dans le boîtier et ne pas serrer complètement pour le moment.

REMARQUE : Changer les couteaux latéraux dès qu'ils présentent des marques d'usure sur cinquante pour cent (50 %) de leur épaisseur. Permuter les couteaux droit et gauche et les utiliser jusqu'à ce que les marques d'usure se touchent. Quand les configurations se réunissent, les couteaux droit et gauche peuvent être inversés et utilisés jusqu'à ce qu'ils présentent des marques d'usure de cinquante pour cent (50 %) de leur largeur. Ils peuvent être permutés de gauche à droite de nouveau jusqu'à ce que chacun des quatre côtés des couteaux soit utilisé. Ne jamais couper plus de 3 048 mètres (10 000 pi) avec un jeu de couteaux latéraux. L'outil fonctionnera après avoir atteint ces limites mais le bloc-moteur sera surchargé.

Pour installer l'ensemble de la tête de cisaille sur le bloc-moteur, s'assurer que toutes les vis d'assemblage sont desserrées d'environ trois à quatre tours complets. Installer la tête de cisaille sur l'appareil et serrer solidement, en alternant, les vis d'assemblage pour bien bloquer l'ensemble de la tête de cisaille en place (fig. 4). Il sera peut-être nécessaire de tapoter doucement la tête de cisaille en position si elle ne glisse pas d'elle-même dans l'extrémité de l'appareil électrique. Serrer les trois vis d'assemblage à un couple de 45 à 50 po-lb (5,08 à 5,64 Nm) Un mauvais serrage des vis d'assemblage pourrait provoquer un bris de celles-ci.

FONCTIONNEMENT

▲AVERTISSEMENT : *Pour réduire tout risque de dommages corporels graves, arrêter et débrancher l'outil avant tout réglage ou avant de retirer ou installer toute pièce ou tout accessoire.*

Pour un travail de précision, toujours fixer ou ancrer la pièce à couper. Aligner un bord du couteau central de l'outil avec la ligne de coupe et faire pénétrer les couteaux dans la pièce avec un minimum d'effort ou de pression. Un peu de pratique vous aidera à déterminer la pression d'avance pour une coupe régulière. Il est important de maintenir les surfaces inférieures des couteaux latéraux à plat sur la pièce à couper (fig. 5). Pour la coupe de courbes, ne pas incliner l'outil. Tenir les couteaux latéraux à plat et à niveau. Maintenir les tranchants des couteaux bien affûtés pour maximiser l'efficacité de la coupe.

▲MISE EN GARDE : *Risque de blessure corporelle ou de dommage à l'outil. Ne pas utiliser la cisaille avec des accessoires.*

MAINTENANCE

▲AVERTISSEMENT : *Pour réduire tout risque de dommages corporels graves, arrêter et débrancher l'outil avant tout réglage ou avant de retirer ou installer toute pièce ou tout accessoire.*

Lubrification

L'outil est doté de roulements autolubrifiants ainsi une lubrification périodique n'est pas nécessaire. Toutefois, il est conseillé de ramener ou d'envoyer l'outil, une fois par année, à une Centre de réparation pour un nettoyage complet et une inspection approfondie.

Entretien

▲AVERTISSEMENT : *Expulser tout débris ou poussière des événements à l'aide d'un jet d'air sec au moins une fois par semaine. Pour réduire tout risque de lésions oculaires, porter systématiquement une protection oculaire homologuée ANSI Z87.1 pour effectuer tout entretien.*

⚠ AVERTISSEMENT : Ne jamais utiliser de solvants ou tout autre produit chimique decapant pour nettoyer las partes non métalliques de l'outil. Ces produits chimiques pourraient attaquer les matériaux plastiques utilisés. Utilisez un chiffon humidifié avec de l'eau et un savon doux. S'assurer qu'aucun liquide ne pénètre dans l'outil ; ne jamais immerger aucune partie de l'outil dans un liquide.

Accesorios

⚠ AVERTISSEMENT : Comme les accessoires autres que ceux offerts par DEWALT n'ont pas été testés avec ce produit, leur utilisation avec cet appareil pourrait comporter un danger. Pour réduire tout risque de dommage corporel, seuls des accessoires DEWALT recommandés doivent être utilisés avec cet appareil.

Los accesorios recomendados para être utilizados avec l'outil sont disponibles chez le distribuidor ou le centre de réparation autorizado de votre région. Si vous avez besoin d'assistance pour trouver tout accesorio, veuillez communiquer avec DEWALT Industrial Tool Co., 701 East Joppa Road, Baltimore, MD 21286, États-Unis, composer le 1(800) 4-DEWALT (1-800-433-9258) ou visiter notre site Web à www.dewalt.com.

Réparation

Pour assurer la SÉCURITÉ et la FIABILITÉ de ce dispositif, toutes les opérations de réparation, d'entretien et de réglage doivent être effectuées par un centre de service autorisé ou qualifié (cela comprend l'inspection et le remplacement de la brosse); seules des pièces de rechange identiques doivent être utilisées.

Garantie limitée de trois ans

DEWALT reparera, sans frais, tout produit défectueux causé par un défaut de matériel ou de fabrication pour une période de trois ans à compter de la date d'achat. La présente garantie ne couvre pas les pièces dont la défectuosité a été causée par une usure normale ou l'usage abusif de l'outil. Pour obtenir de plus amples renseignements sur les pièces ou les réparations couvertes par la présente garantie, visiter le site www.dewalt.com ou composer le 1 800 433-9258 (1 800 4-DEWALT). Cette garantie ne s'applique pas aux accessoires et ne vise pas les dommages causés par des réparations effectuées par un tiers. Cette garantie confère des droits légaux particuliers à l'acheteur, mais celui-ci pourrait aussi bénéficier d'autres droits variant d'un état ou d'une province à l'autre.

En plus de la présente garantie, les outils DEWALT sont couverts par notre :

CONTRAT D'ENTRETIEN GRATUIT D'UN AN

DEWALT entretiendra l'outil et remplacera les pièces usées au cours d'une utilisation normale et ce, gratuitement, pendant une période d'un an à compter de la date d'achat, et la

GARANTIE DE REMBOURSEMENT DE 90 JOURS

Si l'acheteur n'est pas entièrement satisfait, pour quelque raison que ce soit, du rendement de l'outil électrique, du laser ou de la cloueuse DEWALT, celui-ci peut le retourner, accompagné d'un reçu, dans les 90 jours à compter de la date d'achat, pour obtenir un remboursement intégral, sans aucun problème.

AMÉRIQUE LATINE : Cette garantie ne s'applique aux produits vendus en Amérique latine. Pour ceux-ci, veuillez consulter les informations relatives à la garantie spécifique présente dans l'emballage, appeler l'entreprise locale ou consulter le site Web pour les informations relatives à cette garantie.

REPLACEMENT GRATUIT DE L'ÉTIQUETTE : Si vos étiquettes d'avertissement deviennent illisibles ou sont manquantes, composez le 1 800 433-9258 (1 800 4-DEWALT) pour obtenir une étiquette de remplacement gratuite.



Definiciones: Normas de seguridad

Las siguientes definiciones describen el nivel de gravedad de cada palabra de señal. Lea el manual y preste atención a estos símbolos.

⚠ PELIGRO: indica una situación de peligro inminente que, si no se evita, provocará la muerte o lesiones graves.

⚠ ADVERTENCIA: indica una situación de peligro potencial que, si no se evita, podría provocar la muerte o lesiones graves.

⚠ ATENCIÓN: indica una situación de peligro potencial que, si no se evita, posiblemente provocaría lesiones leves o moderadas.

ATENCIÓN: cuando se utiliza sin el símbolo de alerta de seguridad indica una situación de peligro potencial que, si no se evita, puede provocar daños en la propiedad.

SI TIENE ALGUNA DUDA O ALGÚN COMENTARIO SOBRE ÉSTA U OTRA HERRAMIENTA DEWALT, LLÁMENOS AL NÚMERO GRATUITO: 1-800-4-DEWALT (1-800-433-9258).

⚠ ADVERTENCIA: Para reducir el riesgo de lesiones, lea el manual de instrucciones.

Advertencias generales de seguridad para herramientas eléctricas

⚠ ¡ADVERTENCIA! Lea todas las advertencias de seguridad y todas las instrucciones. De lo contrario, podría sufrir descargas eléctricas, causar incendios y/o lesiones graves.

CONSERVE TODAS LAS ADVERTENCIAS E INSTRUCCIONES PARA FUTURAS CONSULTAS

El término "herramienta eléctrica" incluido en las advertencias hace referencia a las herramientas eléctricas operadas con corriente (con cable eléctrico) o a las herramientas eléctricas operadas con baterías (inalámbricas).

1) SEGURIDAD EN EL ÁREA DE TRABAJO

- Mantenga el área de trabajo limpia y bien iluminada.** Las áreas abarrotadas y oscuras propician accidentes.
- No opere las herramientas eléctricas en atmósferas explosivas, como ambientes donde haya polvo, gases o líquidos inflamables.** Las herramientas eléctricas originan chispas que pueden encender el polvo o los vapores.
- Mantenga alejados a los niños y a los espectadores de la herramienta eléctrica en funcionamiento.** Las distracciones pueden provocar la pérdida de control.

2) SEGURIDAD ELÉCTRICA

- Los enchufes de la herramienta eléctrica deben adaptarse al tomacorriente. Nunca modifique el enchufe de ninguna manera. No utilice ningún enchufe adaptador con herramientas eléctricas con conexión a tierra.** Los enchufes no modificados y que se adaptan a los tomacorrientes reducirán el riesgo de descarga eléctrica.
- Evite el contacto corporal con superficies con descargas a tierra como, por ejemplo, tuberías, radiadores, cocinas eléctricas y refrigeradores.** Existe mayor riesgo de descarga eléctrica si su cuerpo está puesto a tierra.

c) No exponga las herramientas eléctricas a la lluvia o a condiciones de humedad. Si entra agua a una herramienta eléctrica, aumentará el riesgo de descarga eléctrica.

d) No maltrate el cable. Nunca utilice el cable para transportar, tirar o desenchufar la herramienta eléctrica. Mantenga el cable alejado del calor, el aceite, los bordes filosos y las piezas móviles. Los cables dañados o enredados aumentan el riesgo de descarga eléctrica.

e) Al operar una herramienta eléctrica en el exterior, utilice un cable prolongador adecuado para tal uso. Utilice un cable adecuado para uso en exteriores a fin de reducir el riesgo de descarga eléctrica.

f) Si el uso de una herramienta eléctrica en un lugar húmedo es imposible de evitar, utilice un suministro protegido con un dispositivo de corriente residual (RCD). El uso de un RCD reduce el riesgo de descargas eléctricas.

3) SEGURIDAD PERSONAL

- Permanezca alerta, controle lo que está haciendo y utilice el sentido común cuando emplee una herramienta eléctrica. No utilice una herramienta eléctrica si está cansado o bajo el efecto de drogas, alcohol o medicamentos.** Un momento de descuido mientras se opera una herramienta eléctrica puede provocar lesiones personales graves.
- Utilice equipos de protección personal. Siempre utilice protección para los ojos.** En las condiciones adecuadas, el uso de equipos de protección, como máscaras para polvo, calzado de seguridad antideslizante, cascos o protección auditiva, reducirá las lesiones personales.
- Evite el encendido por accidente. Asegúrese de que el interruptor esté en la posición de apagado antes de conectarlo a la fuente de energía o paquete de baterías, o antes de levantar o transportar la herramienta.** Transportar herramientas eléctricas con el dedo apoyado en el interruptor o enchufar herramientas eléctricas con el interruptor en la posición de encendido puede propiciar accidentes.
- Retire la clavija de ajuste o la llave de tuercas antes de encender la herramienta eléctrica.** Una llave de tuercas o una clavija de ajuste que quede conectada a una pieza giratoria de la herramienta eléctrica puede provocar lesiones personales.
- No se estire. Conserve el equilibrio y párese adecuadamente en todo momento.** Esto permite un mejor control de la herramienta eléctrica en situaciones inesperadas.
- Use la vestimenta adecuada. No use ropas holgadas ni joyas. Mantenga el cabello, la ropa y los guantes alejados de las piezas en movimiento.** Las ropas holgadas, las joyas o el cabello largo pueden quedar atrapados en las piezas en movimiento.
- Si se suministran dispositivos para la conexión de accesorios con fines de recolección y extracción de polvo, asegúrese de que estén conectados y que se utilicen correctamente.** El uso de dispositivos de recolección de polvo puede reducir los peligros relacionados con el polvo.

4) USO Y MANTENIMIENTO DE LA HERRAMIENTA ELÉCTRICA

- No fuerce la herramienta eléctrica. Utilice la herramienta eléctrica correcta para el trabajo que realizará.** Si se la utiliza a la velocidad para la que fue diseñada, la herramienta eléctrica correcta permite trabajar mejor y de manera más segura.
- No utilice la herramienta eléctrica si no puede encenderla o apagarla con el interruptor.** Toda herramienta eléctrica que no pueda ser controlada mediante el interruptor es peligrosa y debe repararse.
- Desconecte el enchufe de la fuente de energía o el paquete de baterías de la herramienta eléctrica antes de realizar ajustes, cambiar accesorios o almacenar la herramienta eléctrica.** Estas medidas de seguridad preventivas reducen el riesgo de encender la herramienta eléctrica en forma accidental.
- Guarde la herramienta eléctrica que no esté en uso fuera del alcance de los niños y no permita que otras personas no familiarizadas con ella o con estas instrucciones operen la herramienta.** Las herramientas eléctricas son peligrosas si son operadas por usuarios no capacitados.
- Realice el mantenimiento de las herramientas eléctricas. Revise que no haya piezas en movimiento mal alineadas o trabadas, piezas rotas o cualquier otra situación que pueda afectar el funcionamiento de la herramienta eléctrica. Si encuentra daños, haga reparar la herramienta eléctrica antes de utilizarla.** Se producen muchos accidentes a causa de las herramientas eléctricas que carecen de un mantenimiento adecuado.
- Mantenga las herramientas de corte afiladas y limpias.** Las herramientas de corte con mantenimiento adecuado y con los bordes de corte afilados son menos propensas a trabarse y son más fáciles de controlar.
- Utilice la herramienta eléctrica, los accesorios y las brocas de la herramienta, etc. de acuerdo con estas instrucciones y teniendo en cuenta las condiciones de trabajo y el trabajo que debe realizarse.** El uso de la herramienta eléctrica para operaciones diferentes de aquéllas para las que fue diseñada podría originar una situación peligrosa.

5) MANTENIMIENTO

- Solicite a una persona calificada en reparaciones que realice el mantenimiento de su herramienta eléctrica y que sólo utilice piezas de repuesto idénticas.** Esto garantizará la seguridad de la herramienta eléctrica.

Reglas adicionales de seguridad para las Cortadoras de Cemento

- Sostenga la herramienta por las superficies de agarre aisladas cuando realice una operación en la que la herramienta de corte pueda tocar cables eléctricos ocultos o el cable de ésta.** El contacto con un cable con corriente eléctrica puede provocar que las partes metálicas expuestas de la herramienta también tengan corriente eléctrica y que el operador sufra una descarga.
- Mantenga las manos lejos de las zonas de corte.** Un momento de descuido mientras se opera una herramienta eléctrica podría provocar lesiones personales graves.
- Manténgase alejado de los restos de material que caigan después de ser cortados.** El contacto con un borde afilado podría provocar lesiones personales.
- Siempre mantenga el cable de alimentación alejado del borde del material que se corta.** Los bordes afilados pueden ocasionar cortes en el aislamiento del cable. Esta condición puede crear un peligro de electrocución.
- Los orificios de ventilación suelen cubrir piezas en movimiento, por lo que también se deben evitar.** La ropa suelta, las joyas y el pelo largo pueden quedar atrapados en las piezas móviles.
- Para garantizar la seguridad, un cable prolongador debe tener un tamaño de cable adecuado (AWG o Calibre de conductor de Estados Unidos).** Cuanto más pequeño sea el número de calibre del conductor, mayor será la capacidad del cable; es decir, un calibre 16 tiene más capacidad que un calibre 18. Un cable de menor capacidad provocará una disminución en el voltaje de la línea, lo cual producirá una pérdida de potencia y sobrecalentamiento. Cuando se utiliza más de una prolongación para lograr la longitud total, asegúrese de que cada prolongación tenga la medida mínima del conductor. La siguiente tabla muestra la medida correcta que debe utilizar según la longitud del cable y la capacidad nominal en amperios indicada en la placa. En caso de duda, utilice el calibre inmediatamente superior. Cuanto menor sea el número de calibre, más grueso será el cable.

Calibre mínimo para juegos de cables						
Capacidad nominal en amperios		Voltios	Largo total del cable en metros (en pies)			
		120V	7,6 (25)	15,2 (50)	30,5 (100)	45,7 (150)
		240V	15,2 (50)	30,5 (100)	61,0 (200)	91,4 (300)
Desde	Hasta	AWG				
0	6		18	16	16	14
6	10		18	16	14	12
10	12		16	16	14	12
12	16		14	12	No recomendado	

⚠ SIEMPRE USE ANTEOJOS DE SEGURIDAD. Los anteojos de uso diario NO son anteojos de seguridad. Utilice también máscaras faciales o para polvo si el corte produce polvillo. UTILICE SIEMPRE EQUIPO DE SEGURIDAD CERTIFICADO:

- Protección para la vista según la norma ANSI Z87.1 (CAN/CSA Z94.3)

- Protección auditiva según la norma ANSI S12.6 (S3.19)
- Protección respiratoria según las normas NIOSH/OSHA

⚠ADVERTENCIA: Parte del polvo creado al lijar, aserruchar, moler o perforar con máquina, así como al realizar otras actividades de la construcción, contiene sustancias químicas que se sabe producen cáncer, defectos congénitos u otras afecciones reproductivas. Algunos ejemplos de esas sustancias químicas son:

- plomo de pinturas a base de plomo,
- sílice cristalizado de ladrillos y cemento y otros productos de albañilería, y
- arsénico y cromo de la madera químicamente tratada (CCA).

El riesgo al contacto con estas sustancias varía, según la frecuencia en que se haga este tipo de trabajo. Para reducir la exposición a esas sustancias químicas: trabaje en un área bien ventilada, y trabaje con equipos de seguridad aprobados, tales como máscaras contra el polvo especialmente diseñadas para filtrar las partículas microscópicas.

- Evite el contacto prolongado con polvos originados por lijar, aserrar, esmerilar, taladrar y otras actividades constructivas. Vista ropas protectoras y lave las áreas expuestas con agua y jabón.** Permitir que el polvo se introduzca en su boca, ojos, o dejarlo sobre la piel promueve la absorción de químicos dañinos.

⚠ADVERTENCIA: La utilización de esta herramienta puede originar polvo o dispersarlo, lo que podría causar daños graves y permanentes al sistema respiratorio, así como otras lesiones. Siempre use protección respiratoria aprobada por NIOSH/OSHA, apropiada para su uso en condiciones de exposición al polvo. Procure que las partículas no se proyecten directamente sobre su rostro o su cuerpo.

⚠ADVERTENCIA: Siempre utilice protección auditiva apropiada mientras utilice la herramienta, en conformidad con ANSI S12.6 (S3.19). En determinadas condiciones y con utilizaciones prolongadas, el ruido generado por este producto puede favorecer la pérdida de audición.

- La etiqueta de su herramienta puede incluir los siguientes símbolos. Los símbolos y sus definiciones son los siguientes:

V.....	voltios	A.....	amperios
Hz.....	hertzios	W.....	vatios
min	minutos	~	corriente alterna
⎓.....	corriente directa	⎓	corriente alterna o directa
⚠.....	Construcción Clase I (con conexión a tierra)	Ⓝ.....	Terminal con conexión a tierra
⏚.....	Construcción Clase II (doblemente aislado)	⚠.....	símbolo de alerta de seguridad
.../min	por minuto	BPM.....	golpes por minuto
		RPM	revoluciones por minuto

Introducción

La cizalla para revestimientos de fibrocemento de 7,9 mm (5/16"), para trabajo pesado está diseñada para el corte de placas o revestimientos de cemento Puede realizar tanto cortes rectos como curvos con un radio mínimo de 175 mm (7"). La cortadora remueve 6,35 mm (1/4") de ancho del material sobrante.

Interruptor (Fig. 1)

Para arrancar la herramienta, presione el interruptor disparador. Para detener la herramienta, suelte el disparador.

El **interruptor disparador de velocidad variable** permite controlar la velocidad. Cuanto más se presione el disparador, mayor será la velocidad de la cortadora.

Desarmado y Armado (Fig. 1, 2)

⚠ADVERTENCIA: Para reducir el riesgo de lesión personal seria, apague la herramienta y desconéctela de la alimentación eléctrica antes de hacer algún ajuste o remover/instalar anexos o accesorios.

Para remover el ensamblado de la cabeza de la cortadora, afloje los 3 tornillos de cabeza. Remueva el ensamblado de la cabeza de la cortadora halando la cabeza firmemente hacia adelante. Si la cabeza no se desliza fácilmente puede ser necesario girarla levemente.

Para retirar las cuchillas del ensamblado de la cabeza de la cortadora, retire los 3 tornillos de la cubierta de la cortadora. Tenga cuidado de no remover el buje espaciador de la parte trasera al remover el tornillo de cabeza de la parte media. Remueva la cuchilla central de la cubierta golpeando suavemente la cuchilla hacia la parte trasera. Ahora el cuchillo lateral y el espaciador lateral caerán de la cubierta.

Para remover el ensamblado del rodamiento excéntrico del eje, utilice una llave apropiada para liberar la tuerca excéntrica girándola en el sentido contrario del reloj.

Para instalar el ensamblado del rodamiento excéntrico sobre el eje, asegúrese de insertar primero la arandela delgada grande sobre el eje. Atornille el ensamblado del rodamiento excéntrico sobre el eje y ajuste con la llave apropiada. Lubrique el rodamiento con una buena cantidad de grasa para rodamientos.

Para instalar las cuchillas en la cubierta de la cortadora, coloque el cuchillo lateral y el espaciador lateral en su posición en la cubierta. Inserte el tornillo de cabeza central a través del cuchillo lateral y el espaciador lateral con el buje espaciador de la parte trasera entre ellos. Comience con el tornillo de cabeza dentro de la rosca justo lo suficiente como para sostener las hojas en su lugar. NO AJUSTE. Inserte el buje espaciador en el hueco en la cuchilla central y lubrique. Instale la cuchilla central en la cubierta golpeando la hoja suavemente hacia adelante utilizando un alineador para alinear el agujero de la cuchilla central con los agujeros delanteros de la cubierta. Inserte y ajuste el tornillo de cabeza delantero asegurándose que el buje espaciador en la cuchilla central permanece en su posición. Aplique una buena cantidad de grasa de rodamientos a la horquilla o yugo en la cuchilla central donde ésta se monta sobre el ensamblado del rodamiento excéntrico. Inserte el tornillo de cabeza trasero en la cubierta pero no ajuste totalmente.

NOTA: Cambie los cuchillos laterales después de que los mismos muestren un patrón de ancho de desgaste de 50%. Rote los cuchillos de izquierda a derecha y utilícelos hasta que los patrones coincidan. Cuando los patrones coincidan, invierta los cuchillos laterales izquierdo y derecho y utilícelos hasta que muestren un patrón de ancho de desgaste de 50%. Pueden rotarse de izquierda a derecha hasta utilizar los 4 lados de las cuchillas. Nunca exceda los 3.000 metros (10.000 pies) de corte por cada ensamblado de cuchillos laterales. La herramienta continuará cortando hasta que esos valores sean alcanzados, pero la unidad motriz se sobrecargará.

Para instalar el ensamblado de la cabeza de la cortadora sobre el motor controlador, asegúrese que todos los tornillos de cabeza estén aflojados cerca de 3 ó 4 vueltas completas. Coloque la cabeza de la cortadora sobre la unidad y ajuste los tornillos de forma alterna.

Ajuste bien para bloquear el ensamblado de la cabeza en su lugar (Fig. 4). Puede ser necesario golpear suavemente la cabeza de la cortadora en su lugar si ésta no se desliza fácilmente sobre la punta de la unidad motriz. Ajuste los tres tornillos de 5.08 a 5.64 Nm. (de 45 a 50 pulgadas/libra). No ajustar apropiadamente los tornillos de cabeza provocará que se quiebren los tornillos.

OPERACIÓN

⚠ADVERTENCIA: Para reducir el riesgo de lesión personal seria, apague la herramienta y desconéctela de la alimentación eléctrica antes de hacer algún ajuste o remover/instalar anexos o accesorios.

Para un trabajo de precisión, siempre sujete con una abrazadera o ancla el material que se va a cortar. Alinee un borde de la cuchilla media de la herramienta con la línea de corte y deslice las cuchillas sobre el material sin fuerza excesiva ni presiones innecesarias. Con un poco de práctica, podrá determinar qué cantidad de presión hacia adelante le proporciona el corte más suave. Es importante mantener planas las superficies inferiores de las cuchillas laterales sobre el material a cortar (Fig. 5) Al realizar cortes curvos, no incline la herramienta y mantenga las cuchillas laterales planas y a nivel. Para un mejor rendimiento en el corte, mantenga afiladas las cuchillas.

⚠CUIDADO: Riesgos de lesiones personales o daños a la herramienta. No utilice la cortadora con ninguna clase de accesorio o accesorio.

MANTENIMIENTO

⚠ADVERTENCIA: Para reducir el riesgo de lesión personal seria, apague la herramienta y desconéctela de la alimentación eléctrica antes de hacer algún ajuste o remover/instalar anexos o accesorios.

Lubricación

La herramienta utiliza rodamientos auto lubricados y no es necesaria la lubricación periódica. Sin embargo, se recomienda llevar o enviar la herramienta a un centro de servicio para una limpieza e inspección completas una vez al año.

Limpieza

⚠ADVERTENCIA: Limpie la suciedad y el polvo de las rejillas de ventilación con aire seco al menos una vez por semana. Para reducir el riesgo de lesiones a los ojos, use siempre protección ocular aprobada según ANSI Z87.1.

⚠ADVERTENCIA:Nunca utilice solventes u otros químicos fuertes cuando limpie las piezas no metálicas de la herramienta. Estos químicos pueden debilitar los materiales plásticos utilizados en estas partes.. Use un paño humedecido con agua y jabón suave. Nunca permita que le entre ningún tipo de líquido a la herramienta; jamás sumerja ninguna parte de la herramienta a un líquido.

Accesorios

⚠ADVERTENCIA: Ya que otros accesorios, fuera de los ofrecidos por DEWALT, no han sido probados con este producto, el uso de tales accesorios con esta herramienta podría ser peligroso. Para reducir el riesgo de lesiones, sólo deberían usarse los accesorios recomendados por con este producto.

Dispone usted de los accesorios para su herramienta por un cargo adicional con su distribuidor local autorizado. EL ACCESORIO DEBE ESTAR CLASIFICADO PARA UTILIZARSE A UNA VELOCIDAD IGUAL O MAYOR QUE LAS R.P.M. SEÑALADAS EN LA PLACA DE IDENTIFICACION DE LA HERRAMIENTA QUE SE ESTE EMPLEANDO.

Si necesita ayuda para encontrar cualquier accesorio, por favor comuníquese al 326-7100.

Reparaciones

Para garantizar la SEGURIDAD y la CONFIABILIDAD, deberán hacerse reparaciones, mantenimiento y ajustes de esta herramienta (inclusive inspección y cambio de carbones) en los centros autorizados de servicio u otras organizaciones autorizadas que empleen siempre refacciones legítimas.

	PARA REPARACIÓN Y SERVICIO DE SUS HERRAMIENTAS ELÉCTRICAS, FAVOR DE DIRIGIRSE AL CENTRO DE SERVICIO MÁS CERCANO	
CULIACAN, SIN Blvd.Emiliano Zapata 5400-1 Poniente Col. San Rafael		(667) 717 89 99
GUADALAJARA, JAL Av. La Paz #1779 - Col. Americana Sector Juárez		(33) 3825 6978
MEXICO, D.F. Eje Central Lázaro Cárdenas No. 18 Local D, Col. Obrera		(55) 5588 9377
MERIDA, YUC Calle 63 #459-A - Col. Centro		(999) 928 5038
MONTERREY, N.L. Av. Francisco I. Madero 831 Poniente - Col. Centro		(818) 375 23 13
PUEBLA, PUE 17 Norte #205 - Col. Centro		(222) 246 3714
QUERETARO, QRO Av. San Roque 274 - Col. San Gregorio		(442) 2 17 63 14
SAN LUIS POTOSI, SLP Av. Universidad 1525 - Col. San Luis		(444) 814 2383
TORREON, COAH Blvd. Independencia, 96 Pte. - Col. Centro		(871) 716 5265
VERACRUZ, VER Prolongación Díaz Mirón #4280 - Col. Remes		(229) 921 7016
VILLAHERMOSA, TAB Constitución 516-A - Col. Centro		(993) 312 5111
	PARA OTRAS LOCALIDADES: Si se encuentra en México, por favor llame al (55) 5326 7100 Si se encuentra en U.S., por favor llame al 1-800-433-9258 (1-800 4-DEWALT)	

Póliza de Garantía

IDENTIFICACIÓN DEL PRODUCTO:

Sello o firma del Distribuidor.

Nombre del producto: _____ Mod./Cat.: _____

Marca: _____ Núm. de serie: _____

(Datos para ser llenados por el distribuidor)

Fecha de compra y/o entrega del producto: _____

Nombre y domicilio del distribuidor donde se adquirió el producto:

Este producto está garantizado por un año a partir de la fecha de entrega, contra cualquier defecto en su funcionamiento, así como en materiales y mano de obra empleados para su fabricación. Nuestra garantía incluye la reparación o reposición del producto y/o componentes sin cargo alguno para el cliente, incluyendo mano de obra, así como los gastos de transportación razonablemente erogados derivados del cumplimiento de este certificado.

Para hacer efectiva esta garantía deberá presentar su herramienta y esta póliza sellada por el establecimiento comercial donde se adquirió el producto, de no contar con ésta, bastará la factura de compra.

EXCEPCIONES.

Esta garantía no será válida en los siguientes casos:

- Cuando el producto se hubiese utilizado en condiciones distintas a las normales;
- Cuando el producto no hubiese sido operado de acuerdo con el instructivo de uso que se acompaña;
- Cuando el producto hubiese sido alterado o reparado por personas distintas a las enlistadas al final de este certificado.

Anexo encontrará una relación de sucursales de servicio de fábrica, centros de servicio autorizados y franquiciados en la República Mexicana, donde podrá hacer efectiva su garantía y adquirir partes, refacciones y accesorios originales.

Garantía limitada por tres años

DEWALT reparará, sin cargo, cualquier falla que surja de defectos en el material o la fabricación del producto, por hasta tres años a contar de la fecha de compra. Esta garantía no cubre fallas de las piezas causadas por su desgaste normal o abuso a la herramienta. Para mayores detalles sobre la cobertura de la garantía e información acerca de reparaciones realizadas bajo garantía, visítenos en www.dewalt.com o dirígase al centro de servicio más cercano. Esta garantía no aplica a accesorios o a daños causados por reparaciones realizadas o intentadas por terceros. Esta garantía le otorga derechos legales específicos, además de los cuales puede tener otros dependiendo del estado o provincia en que se encuentre.

Además de la garantía, las herramientas DEWALT están cubiertas por:

1 AÑO DE SERVICIO GRATUITO

DEWALT mantendrá la herramienta y reemplazará las piezas gastadas por su uso normal, sin cobro, en cualquier momento durante un año a contar de la fecha de compra.

GARANTÍA DE REEMBOLSO DE SU DINERO POR 90 DÍAS

Si no está completamente satisfecho con el desempeño de su máquina herramienta, láser o clavadora DEWALT, cualquiera sea el motivo, podrá devolverlo hasta 90 días de la fecha de compra con su recibo y obtener el reembolso completo de su dinero – sin necesidad de responder a ninguna pregunta.

AMÉRICA LATINA: Esta garantía no se aplica a los productos que se venden en América Latina. Para los productos que se venden en América Latina, debe consultar la información de la garantía específica del país que viene en el empaque, llamar a la compañía local o visitar el sitio Web a fin de obtener esa información.

REEMPLAZO DE LAS ETIQUETAS DE ADVERTENCIA GRATUITO: Si sus etiquetas de advertencia se tornan ilegibles o se pierden, llame al 1-800-433-9258 (1-800 4-DeWALT) para que se las reemplacen sin cost.



Especificaciones	D26805
Tensión de alimentación	120 V CA~
Potencia nominal:	440 W
Frecuencia de operación:	60 Hz
Consumo de corriente:	6,5 A
Rotación sin carga:	0 - 2 500/min (SPM)

SOLAMENTE PARA PROPÓSITO DE MÉXICO:
IMPORTADO POR: DeWALT S.A. DE C.V.
BOSQUES DE CIDROS, ACCESO RADIATAS NO.42
3A. SECCIÓN DE BOSQUES DE LAS LOMAS
DELEGACIÓN CUAJIMALPA,
05120, MÉXICO, D.F.
TEL. (52) 555-326-7100
R.F.C.: BDE810626-1W7

Para servicio y ventas consulte
"HERRAMIENTAS ELECTRICAS"
en la sección amarilla.

