

INSTRUCTIVO DE OPERACIÓN, CENTROS DE SERVICIO Y  
POLIZA DE GARANTÍA. **ADVERTENCIA:** LEÁSE ESTE  
INSTRUCTIVO ANTES DE USAR EL PRODUCTO.

INSTRUCTION MANUAL  
GUIDE D'UTILISATION  
MANUAL DE INSTRUCCIONES



D28754

12" (305mm) Cut-Off Machine  
Tronçonneuse de 305 mm (12 po)  
Máquina cortadora de 305 mm (12 pulg.)

DeWALT Industrial Tool Co., 701 East Joppa Road, Baltimore, MD 21286 (MAR04 CD1)  
Form No. 623540-00 D28754 Copyright © 2003, 2004

The following are trademarks for one or more DEWALT power tools: the yellow and black color scheme; the "D" shaped air intake grill; the array of pyramids on the handgrip; the kit box configuration; and the array of lozenge-shaped humps on the surface of the tool.

IF YOU HAVE ANY QUESTIONS OR COMMENTS ABOUT THIS OR ANY DEWALT TOOL,  
CALL US TOLL FREE AT: 1-800-4-DEWALT (1-800-433-9258)

**General Safety Rules**

**WARNING!** Read and understand all instructions. Failure to follow all instructions listed below may result in electric shock, fire and/or serious personal injury.

**SAVE THESE INSTRUCTIONS**

**WORK AREA**

- Keep your work area clean and well lit. Cluttered benches and dark areas invite accidents.
- Do not operate power tools in explosive atmospheres, such as in the presence of flammable liquids, gases, or dust. Power tools create sparks which may ignite the dust or fumes.
- Keep bystanders, children, and visitors away while operating a power tool. Distractions can cause you to lose control.

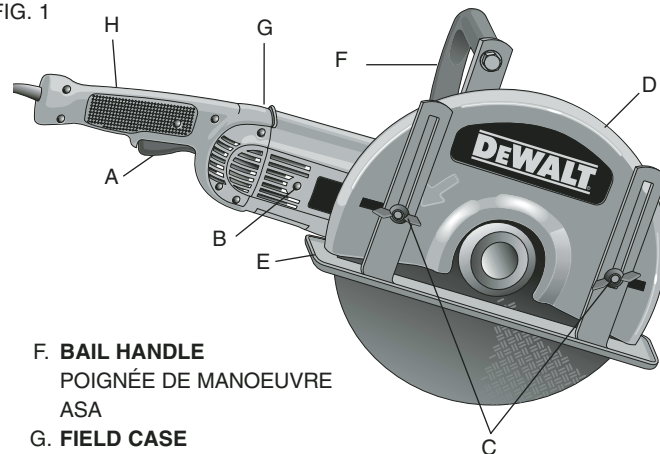
**ELECTRICAL SAFETY**

- Grounded tools must be plugged into an outlet properly installed and grounded in accordance with all codes and ordinances. Never remove the grounding prong or modify the plug in any way. Do not use any adapter plugs. Check with a qualified electrician if you are in doubt as to whether the outlet is properly grounded. If the tools should electrically malfunction or break down, grounding provides a low resistance path to carry electricity away from the user. This tool uses grounded construction (3 prong plug) to provide a means to transfer electrical energy safely away from the user in the event the tool electrically malfunctions, breaks down, or the tool case becomes live. Damage to, or loss of, one of the 3 plug blades; damage to the plug or cord, or failure to have the tool plugged into a verified and continuously grounded electrical system, may result in electric shock, serious injury, or death. To avoid these risks of injury, the tool must, at all times, be maintained and in proper working order (cord, plug blades) and plugged into a continuously grounded electrical system. (See also "Cleaning" in the Maintenance section.) **Applicable only to Class I (grounded) tools.**
- Double insulated tools are equipped with a polarized plug (one blade is wider than the other.) This plug will fit in a polarized outlet only one way. If the plug does not fit fully in the outlet, reverse the plug. If it still does not fit, contact a qualified electrician to install a polarized outlet. Do not change the plug in any way. Double insulation eliminates the need for the three wire grounded power cord and grounded power supply system. **Applicable only to Class II (double insulated) tools.**
- Avoid body contact with grounded surfaces such as pipes, radiators, ranges and refrigerators. There is an increased risk of electric shock if your body is grounded.
- Don't expose power tools to rain or wet conditions. Water entering a power tool will increase the risk of electric shock.
- Do not abuse the cord. Never use the cord to carry the tools or pull the plug from an outlet. Keep cord away from heat, oil, sharp edges or moving parts. Replace damaged cords immediately. Damaged cords increase the risk of electric shock.
- When operating a power tool outside, use an outdoor extension cord marked "W-A" or "W." These cords are rated for outdoor use and reduce the risk of electric shock. When using an extension cord, be sure to use one heavy enough to carry the current your product will draw. An undersized cord will cause a drop in line voltage resulting in loss of power and overheating. The following table shows the correct size to use depending on cord length and nameplate ampere rating. If in doubt, use the next heavier gage. The smaller the gage number, the heavier the cord.

Volts		Minimum Gage for Cord Sets			
120V		Total Length of Cord in Feet			
		0-25	26-50	51-100	101-150
Ampere Rating		AWG			
More Than	Not more Than				
12	16	14	12	Not Recommended	

- A. TRIGGER SWITCH  
GÂCHETTE  
CONMUTADOR TIPO  
GATILLO
- B. BRUSH DOOR  
PANNEAU DES  
BALAIS  
COMPUERTA  
DE ESCOBILLAS
- C. DEPTH ADJUSTMENT  
WING NUTS  
ÉCROU À OREILLES  
DE RÉGLAGE DE  
PROFONDEUR  
TUERCAS DE MARIPOSA  
PARA EL AJUSTE DE  
PROFUNDIDAD
- D. GUARD  
DISPOSITIF DE  
PROTECTION  
PROTECTOR
- E. SHOE  
PATIN  
BASE

FIG. 1



- F. BAIL HANDLE  
POIGNÉE DE MANOEUVRE  
ASA
- G. FIELD CASE  
BOÎTIER  
CAJA PROTECTORA DEL  
MOTOR
- H. TRIGGER SWITCH HANDLE  
POIGNÉE DE LA GÂCHETTE  
MANGO DEL CONMUTADOR  
TIPO GATILLO

**PERSONAL SAFETY**

- Stay alert, watch what you are doing and use common sense when operating a power tool. Do not use tool while tired or under the influence of drugs, alcohol, or medication. A moment of inattention while operating power tools may result in serious personal injury.
- Dress properly. Do not wear loose clothing or jewelry. Contain long hair. Keep your hair, clothing, and gloves away from moving parts. Loose clothing, jewelry, or long hair can be caught in moving parts. Air vents often cover moving parts and should also be avoided.
- Avoid accidental starting. Be sure switch is off before plugging in. Carrying tools with your finger on the switch or plugging in tools that have the switch on invites accidents.
- Remove adjusting keys or wrenches before turning the tool on. A wrench or key that is left attached to a rotating part of the tool may result in personal injury.
- Do not overreach. Keep proper footing and balance at all times. Proper footing and balance enables better control of the tool in unexpected situations.
- Use safety equipment. Always wear eye protection. Dust mask, non-skid safety shoes, hard hat, or hearing protection must be used for appropriate conditions.

**TOOL USE AND CARE**

- Use clamps or other practical way to secure and support the workpiece to a stable platform. Holding the work by hand or against your body is unstable and may lead to loss of control.
- Do not force tool. Use the correct tool for your application. The correct tool will do the job better and safer at the rate for which it is designed.
- Do not use tool if switch does not turn it on or off. Any tool that cannot be controlled with the switch is dangerous and must be repaired.
- Disconnect the plug from the power source before making any adjustments, changing accessories, or storing the tool. Such preventative safety measures reduce the risk of starting the tool accidentally.
- Store idle tools out of reach of children and other untrained persons. Tools are dangerous in the hands of untrained users.
- Maintain tools with care. Keep cutting tools sharp and clean. Properly maintained tools, with sharp cutting edges are less likely to bind and are easier to control.
- Check for misalignment or binding of moving parts, breakage of parts, and any other condition that may affect the tools operation. If damaged, have the tool serviced before using. Many accidents are caused by poorly maintained tools.
- Use only accessories that are recommended by the manufacturer for your model. Accessories that may be suitable for one tool, may become hazardous when used on another tool.

**SERVICE**

- Tool service must be performed only by qualified repair personnel. Service or maintenance performed by unqualified personnel could result in a risk of injury.
- When servicing a tool, use only identical replacement parts. Follow instructions in the Maintenance section of this manual. Use of unauthorized parts or failure to follow Maintenance Instructions may create a risk of electric shock or injury.

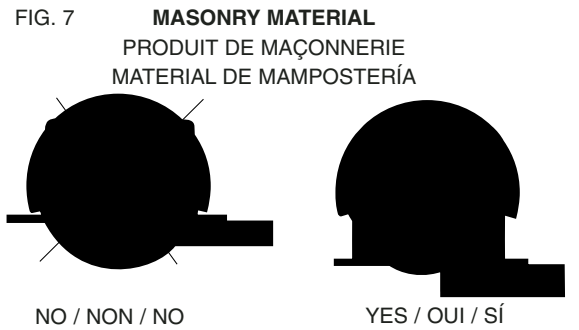
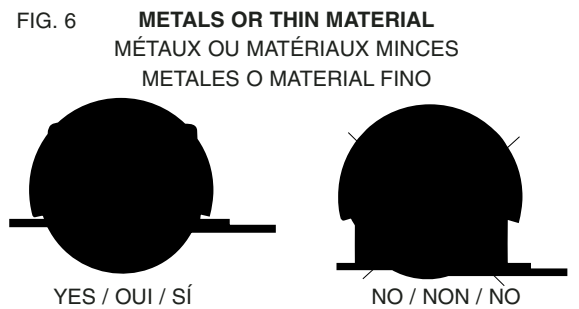
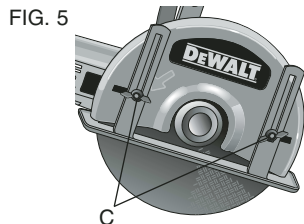
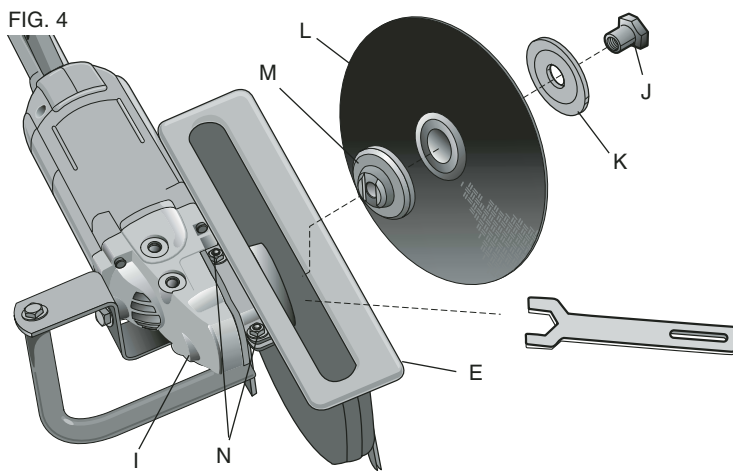
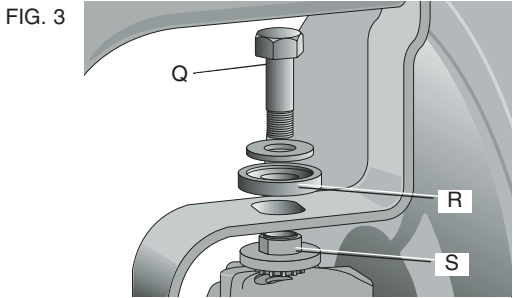
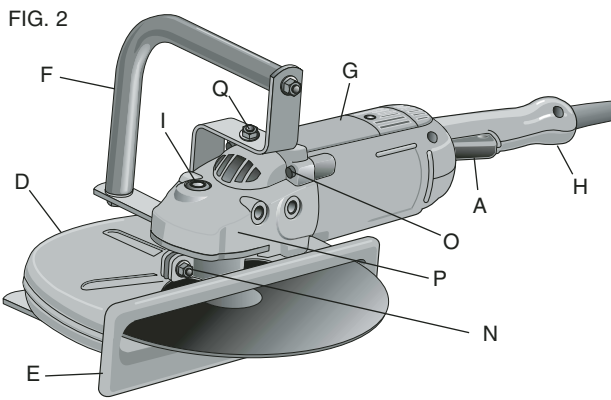
**Additional Specific Safety Instructions for Cut-Off Machines**

- Always use proper guard with grinding wheel. A guard protects operator from broken wheel fragments and wheel contact.
- Accessories must be rated for at least the speed recommended on the tool warning label. Wheels and other accessories running over rated speed can fly apart and cause injury. Accessory ratings must always be above tool speed as shown on tool nameplate.
- Hold tool by insulated gripping surfaces when performing an operation where the cutting tool may contact hidden wiring or its own cord. Contact with a "live" wire will make exposed metal parts of the tool "live" and shock the operator.
- ALWAYS WEAR EYE PROTECTION WHEN USING THIS TOOL.
- Use of accessories not specified in this manual is not recommended and may be hazardous. Use of power boosters that would cause the tool to be driven at speeds greater than its rated speed constitutes misuse.
- Do not use circular saw blades or any other toothed blades with this tool. Serious injury may result.
- Before using, inspect recommended accessory for cracks or flaws. If such a crack or flaw is evident, discard the accessory. The accessory should also be inspected whenever you think the tool may have been dropped. Flaws may cause wheel breakage. Do not set unit down on wheel.
- When starting the tool with a new or replacement wheel installed, or if you are unsure of the condition of the wheel, hold the tool in a well protected area and let it run for one minute. If the wheel has an undetected crack or flaw, it should burst in less than one minute. Never start the tool with a person in line with the wheel. This includes the operator.
- Avoid bouncing the wheel or giving it rough treatment. If this occurs, stop the tool and inspect the wheel for cracks or flaws.
- Direct sparks away from operator, bystanders or flammable materials. Sparks may be produced while using a sander or grinder. Sparks may cause burns or start fires.
- Always use bail handle. Tighten the handle securely. The bail handle should always be used to maintain control of the tool at all times.
- Never cut into area that may contain electrical wiring or piping. Serious injury may result.
- Clean out your tool often, especially after heavy use. Dust and grit containing metal particles often accumulate on interior surfaces and could create an electric shock hazard.
- Do not operate this tool for long periods of time. Vibration caused by tool action may be harmful to your hands and arms. Use gloves to provide extra cushion and limit exposure by taking frequent rest periods.

**WARNING:** Some dust created by power sanding, sawing, grinding, drilling, and other construction activities contains chemicals known to cause cancer, birth defects or other reproductive harm. Some examples of these chemicals are:

- lead from lead-based paints,
- crystalline silica from bricks and cement and other masonry products, and
- arsenic and chromium from chemically-treated lumber (CCA).

Your risk from these exposures varies, depending on how often you do this type of work. To reduce your exposure to these chemicals: work in a well ventilated area, and work with approved safety equipment, such as those dust masks that are specially designed to filter out microscopic particles.



• **Avoid prolonged contact with dust from power sanding, sawing, grinding, drilling, and other construction activities. Wear protective clothing and wash exposed areas with soap and water.** Allowing dust to get into your mouth, eyes, or lay on the skin may promote absorption of harmful chemicals.

⚠ **WARNING:** Use of this tool can generate and/or disburse dust, which may cause serious and permanent respiratory or other injury. Always use NIOSH/OSHA approved respiratory protection appropriate for the dust exposure. Direct particles away from face and body.

⚠ **CAUTION:** Wear appropriate personal hearing protection during use. Under some conditions and duration of use, noise from this product may contribute to hearing loss.

• The label on your tool may include the following symbols. The symbols and their definitions are as follows:

V .....	volts	A .....	amperes
Hz .....	hertz	W .....	watts
min .....	minutes	~ .....	alternating current
== .....	direct current	no .....	no load speed
□ .....	Class II Construction	.../min .....	revolutions per minute
⊕ .....	earthing terminal	⚠ .....	safety alert symbol

## SAVE THESE INSTRUCTIONS

### COMPONENTS

Refer to Figure 1 for a complete list of components.

### ASSEMBLY

#### Rotating the Gear Case (Figures 2, 3)

**NOTE:** This machine is assembled at the factory with the spindle on right side of the unit for right handed operation.

#### CONVERSION FROM RIGHT HANDED TO LEFT HANDED

⚠ **CAUTION:** Turn off and unplug the tool before making any adjustments or removing or installing attachments or accessories. Be sure the trigger switch is in the OFF position.

- Place unit on a firm, flat work surface.
- Remove bail handle (F) by removing 2 hex bolts (Q), the top insulators (R) and the bottom insulators (S).
- Remove guard by removing guard mounting nuts (N).
- Remove the 4 gear case mounting screws (O).
- Rotate gear case 180° without pulling gear case (P) away from the body of the tool.  
**NOTE:** If the gear case and motor housing become separated by more than 1/8", the tool must be serviced and re-assembled by a DeWALT service center. Failure to have the tool serviced may cause brush, motor and bearing failure.
- Replace the 4 gear case mounting screws (O) and tighten firmly to 30 in-lbs.
- Reattach the guard so the shoe faces in the same direction as the trigger switch handle (H). Be sure the guard is on the spindle bearing hub as far as it will go and both guard tabs engage the slot in the spindle bearing hub. Tighten guard mounting nuts (N) securely to 50 in-lbs.
- Replace the bail handle with the bottom insulators (S), top insulators (R) and the 2 hex bolts (Q) then tighten securely to 75 in-lbs. Refer to Figure 2 for orientation of the bail handle.

⚠ **WARNING:** Plastic insulators must be assembled to hex bolts and bracket as shown in Figure 3. Failure to do so may result in electric shock injury.

### OPERATION

#### Motor

Be sure your power supply agrees with the nameplate marking. Voltage decrease of more than 10% will cause loss of power and overheating. All DeWALT tools are factory tested; if this tool does not operate, check the power supply.

#### Spindle Lock Button (Figure 4)

The spindle lock button (I) is used to lock the spindle when changing accessories. **To engage the spindle lock button**, disconnect the tool from the power supply and be sure switch is in OFF position. Depress the lock button and turn the wheel and spindle until the lock button engages the spindle. Use supplied wrench to unscrew the spindle nut (J) and remove or mount accessories. Spindle threads are right hand.

#### Installing Abrasive Wheels (Figures 4, 5)

⚠ **CAUTION:** Turn off and unplug the tool before making any adjustments or removing or installing attachments or accessories. Be sure the trigger switch is in the OFF position.

- Lay unit on a firm surface with bottom of shoe (E) facing up.
- Loosen depth adjustment wing nuts (C), move shoe to allow easiest access to spindle nut, then tighten wing nuts to hold shoe in place.
- Using supplied 1-1/8" (28mm) open end wrench, remove spindle nut (J), outer clamp washer (K) and used wheel (L) if one is installed. Hold spindle from turning with spindle lock button. Spindle threads are right hand.
- Make sure inner clamp washer (M) is in place and ears are engaged with spindle flats. Slip wheel through bottom of shoe and slip wheel over spindle. Be sure wheel goes over pilot diameter of inner clamp washer. Slip on outer clamp washer. Start threading on spindle nut which will self align outer clamp washer.
- Engage spindle lock button and tighten nut with wrench. Do not over tighten spindle nut.
- Turn wheel by hand to ensure it is properly centered. The wheel should not hit the shoe, guard or nut. The nut and flanges should be tight.
- Be sure to readjust shoe for proper depth of cut.

⚠ **CAUTION:** Only use 12" Type 1 wheels with 1" arbor hole with this tool. Never force a wheel onto the machine or alter the size of the arbor hole.

#### Depth of Cut (Figures 6, 7)

⚠ **WARNING:** Edge cutting can be performed only with wheels that are designed and specified for this purpose. Protect yourself during edge cutting by directing the open side of the guard toward a surface.

⚠ **WARNING:** Wheels used for cutting may break or kick back if they bend or twist while the tool is being used to do cut-off work.

⚠ **WARNING:** Do not use edge cutting wheels for surface grinding applications because these wheels are not designed for side pressures encountered with surface grinding. Wheel breakage and injury may result.

⚠ **CAUTION:** Turn off and unplug the tool before making any adjustments or removing or installing attachments or accessories. Be sure the trigger switch is in the OFF position.

The depth of cut can be adjusted by loosening the two depth adjustment wing nuts (C) on the outside of the guard to change the position of the shoe. Using the slot in the wrench (provided) securely tighten the wing nuts.

#### TO CUT METALS AND THIN MATERIALS

When cutting metals and other thin materials, adjust shoe for maximum depth of cut as shown in Figure 6.

#### TO CUT STONE OR MASONRY MATERIALS

Set the wheel exposure to about 1/2" (13mm) beyond the shoe. For many applications, the material will readily break along the 1/2" (13mm) deep scored line. If a deeper cut is needed, increase the depth of cut in approximately 1/2" (13mm) increments between cuts (Figure 7).

#### To Operate (Figure 2)

⚠ **CAUTION:** Before attempting to start, grasp tool firmly with both hands before lifting.

- Grasp trigger switch handle (H) and bail handle (F) firmly.
- Line up wheel with material to be cut. Be sure nothing is near or in line with the wheel.
- Depress and hold trigger switch (A) then slowly feed wheel into work with firm pressure. Keep the shoe (E) firmly and squarely against the work. Do not force the tool. For maximum efficiency and wheel life, keep the wheel speed high.
- To stop tool, release trigger switch (A).

#### Applications

⚠ **WARNING:** NEVER cut magnesium with this tool. Magnesium particles may ignite causing personal injury.

- 1/8" (3mm) max. gauge sheet metal
- Concrete, cinder blocks and bricks
- Reinforcing rod; generally under 3/4" (19mm) diameter
- 1/8" (3mm) diameter concrete wire mesh
- Corrugated floor and ceiling form (concrete forms)
- Electrical conduit 1/8" (3mm) wall thickness
- 1/8" (3mm) max. thick structural forms such as channel, angles, plate, etc.

**NOTE:** The cutting of materials heavier than those listed above are not recommended due to the possibility of electrical overloading.

#### TO ADJUST ANGLE OF GUARD

⚠ **CAUTION:** Turn off and unplug the tool before making any adjustments or removing or installing attachments or accessories. Be sure the trigger switch is in the OFF position.

- Loosen the guard mounting nuts (N), shown in Figure 2.
- Grasp the guard firmly and rotate to desired angle.
- Tighten clamp nuts to lock guard in position.

### MAINTENANCE

#### Motor Brushes

⚠ **CAUTION:** Turn off and unplug the tool before making any adjustments or removing or installing attachments or accessories. Be sure the trigger switch is in the OFF position.

When brushes become worn, the tool will automatically stop, preventing damage to the motor. Brush replacement should be performed by DeWALT authorized service centers or other qualified service personnel. Qualified service personnel should follow the procedures below when replacing motor brushes.

- Remove the brush doors located on the sides of motor housing.
- To remove the brush, hold the female terminal, which is attached to the brush lead wire, and disconnect the female terminal from the male terminal.
- Pull the brush straight up out of the brush holder.
- Before new brushes can be installed, the brush spring arm must be pulled back out of the way.
- Replace brushes, in pairs, with original DeWALT brushes available from DeWALT authorized service centers.
- Ensure that the brushes slide freely in brush box.
- Reconnect the brush lead wire to brush box terminal.
- Re-install the brush doors before using the tool. Torque screws to 10 in./lbs. maximum. Overtightening may cause screws to strip.

#### Cleaning

⚠ **WARNING:** Blowing dust and grit out of the motor housing using clean, dry compressed air is a necessary regular maintenance procedure. Dust and grit containing metal particles often accumulate on interior surfaces and could create an electrical shock or electrocution if not frequently cleaned out. ALWAYS WEAR SAFETY GLASSES.

⚠ **CAUTION:** Never use solvents or other harsh chemicals for cleaning the non-metallic parts of the tool. Use a clean, dry cloth only.

#### Lubrication

DeWALT tools are properly lubricated at the factory and are ready for use.

#### Accessories

Recommended accessories (abrasive masonry cutting, abrasive asphalt cutting, abrasive metal cutting and diamond blades) for use with your tool are available at extra cost from your local dealer or authorized service center. If you need assistance in locating any accessory for your tool, contact: DeWALT Industrial Tool Co., 701 East Joppa Road, Baltimore, MD 21286.

⚠ **WARNING:** Accessories must be rated for at least the speed recommended on the tool warning label. Wheels and other accessories running over rated speed can fly apart and cause injury. Accessory ratings must always be above tool speed as shown on tool nameplate.

**▲ WARNING:** The use of any other accessory not recommended for use with this tool could be hazardous.

## Repairs

To assure product SAFETY and RELIABILITY, repairs, maintenance and adjustment (including brush inspection and replacement) should be performed by authorized service centers or other qualified service organizations, always using identical replacement parts.

## Three Year Limited Warranty

DeWALT will repair, without charge, any defects due to faulty materials or workmanship for three years from the date of purchase. For warranty repair information, call 1-800-4-DeWALT. This warranty does not apply to accessories or damage caused where repairs have been made or attempted by others. This warranty gives you specific legal rights and you may have other rights which vary in certain states or provinces.

In addition to the warranty, DeWALT tools are covered by our:

### 1 YEAR FREE SERVICE

DeWALT will maintain the tool and replace worn parts caused by normal use, for free, any time during the first year after purchase.

### 90 DAY MONEY BACK GUARANTEE

If you are not completely satisfied with the performance of your DeWALT Power Tool, Laser, or Nailer for any reason, you can return it within 90 days from the date of purchase with a receipt for a full refund – no questions asked.

**FREE WARNING LABEL REPLACEMENT:** If your warning labels become illegible or are missing, call 1-800-4-DeWALT for a free replacement.



## Français

SI VOUS AVEZ DES QUESTIONS OU VOUS VOULEZ NOUS FAIRE PART DE VOS COMMENTAIRES CONCERNANT CET OUTIL OU TOUT AUTRE OUTIL DeWALT, COMPOSEZ SANS FRAIS LE : 1 800 433-9258.

## Règles de sécurité - généralités

**AVERTISSEMENT!** Lire, comprendre et suivre toutes les directives précisées ci-dessous, y compris les consignes de sécurité, afin d'éviter les risques de choc électrique, d'incendie ou de blessure grave.

## CONSERVER CES DIRECTIVES

### AIRE DE TRAVAIL

- **L'aire de travail doit être propre et bien éclairée.** Les établis encombrés et les endroits sombres peuvent entraîner des accidents.
- **Ne pas faire fonctionner des outils électriques dans des atmosphères explosives, comme en présence de liquides, de gaz et de poussières inflammables.** Les outils électriques produisent des étincelles qui peuvent enflammer la poussière ou les vapeurs.
- **Tenir les enfants, les visiteurs ou toute autre personne à l'écart lorsqu'on utilise un outil électrique;** les distractions peuvent faire perdre la maîtrise de ce dernier.

### RÈGLES DE SÉCURITÉ RELATIVES À L'ÉLECTRICITÉ

- **Les outils mis à la terre doivent être branchés dans une prise correctement installée et mise à la terre tel que l'indiquent les codes et règlements en vigueur. Ne jamais retirer la broche de mise à la terre ou modifier la prise en aucune façon. Ne pas utiliser de fiche d'adaptation. Consulter un électricien qualifié s'il y a un doute en ce qui concerne la mise à la terre de la prise.** En cas de défaillance électrique ou de bris de l'outil, la mise à la terre procure un chemin de faible résistance au courant afin de réduire les risques de choc électrique. Cet outil est muni d'un dispositif mis à la terre (fiche à 3 broches) afin d'assurer la sécurité de l'utilisateur en dérivant l'énergie électrique loin de celui-ci en cas de défaillance électrique ou de panne de l'outil, ou encore, de mise sous tension du boîtier. Tout dommage ou perte de l'une des 3 lames, tout dommage subi par la fiche ou le cordon, ou le branchement de l'outil dans un système non conforme non mis à la terre de façon continue, augmente les risques de choc électrique, de blessure grave ou de mort. Afin d'éviter tout risque de blessure, l'outil doit être entretenu en tout temps, maintenu en bon état de fonctionnement (cordon, lames des fiches) et branché à un système conforme mis à la terre de façon continue. (Voir aussi la rubrique « Nettoyage » dans la section « Entretien ».) Cette protection ne s'applique qu'aux outils de classe I (mis à la terre).
- **Les outils à double isolation sont munis d'une fiche polarisée (c'est-à-dire que l'une des lames est plus large que l'autre), laquelle ne peut être raccordée qu'à une prise polarisée et ce, dans un seul sens; on doit l'inverser si on est incapable de l'enfoncer complètement. Si la fiche ne s'adapte toujours pas, on doit faire appel à un électricien qualifié pour qu'il installe la prise appropriée. On ne doit jamais modifier la fiche.** La double isolation élimine le besoin d'installer un cordon d'alimentation trifilaire et un système d'alimentation électrique pourvus d'une mise à la terre; seuls les outils de classe II (à double isolation) sont munis d'une telle protection.
- **Éviter tout contact entre le corps et les éléments mis à la terre, comme les tuyaux, les radiateurs, les cuisinières et les réfrigérateurs, afin de réduire les risques de choc électrique.**
- **Ne pas utiliser l'outil électrique dans des endroits mouillés ni l'exposer à la pluie;** l'infiltration d'eau à l'intérieur de l'outil augmente les risques de choc électrique.
- **Ne pas utiliser le cordon de manière abusive; on ne doit pas transporter l'outil en le tenant par le cordon, ou utiliser ce dernier pour le débrancher. On doit tenir le cordon à l'écart des sources de chaleur, de l'huile, des bords tranchants ou des pièces mobiles. Remplacer immédiatement les cordons endommagés, car ces derniers augmentent les risques de choc électrique.**
- **Lorsqu'on utilise un outil électrique à l'extérieur, on ne doit utiliser que des rallonges conçues pour cet usage, comme celles de type W-A ou W, afin de réduire les risques de choc électrique.** S'assurer que la rallonge est en mesure de porter le courant nécessaire à l'outil. Une rallonge de calibre inférieur entraînera une chute de tension se traduisant par une perte de puissance et une surchauffe. Le tableau ci-dessous illustre les calibres que l'on doit utiliser selon la longueur de la rallonge et l'intensité nominale indiquée sur la plaque signalétique. En cas de doute, utiliser le calibre suivant. Plus le calibre est petit, plus la rallonge peut porter de courant.

#### Calibres minimaux des rallonges

Tension	Longueur totale de la rallonge en mètres				
120 V	de 0 à 7	de 7 à 15	de 15 à 30	de 30 à 45	
Intensité (en ampères)					
Plus de	Pas plus de		AWG		
12	-	16	14	12	Non recommandé

### SÉCURITÉ PERSONNELLE

- **Rester vigilant en tout temps et faire preuve de jugement lorsqu'on utilise un outil électrique. Ne pas utiliser l'outil lorsqu'on est fatigué ou sous l'influence de drogues, d'alcool ou de médicaments, car un moment d'inattention pourrait entraîner des blessures graves.**

- **Porter des vêtements appropriés. Ne pas porter des vêtements amples ou des bijoux. Couvrir ou attacher les cheveux longs. Garder les cheveux, les vêtements, les bijoux et les gants éloignés des pièces mobiles, car ceux-ci peuvent s'y coincer.** Se tenir éloigné des événements puisque ces derniers pourraient camoufler des pièces mobiles.
- **Éviter les démarrages accidentels. S'assurer que l'interrupteur est en position d'arrêt avant de brancher l'outil.** Ne pas transporter l'outil en laissant le doigt sur l'interrupteur ni le brancher lorsque l'interrupteur est en position de marche, car cela pourrait causer un accident.
- **Retirer les clés de réglage avant de démarrer l'outil.** Une clé laissée sur une pièce rotative pourrait entraîner des blessures.
- **Ne pas trop étendre les bras. Les pieds doivent rester ancrés fermement au sol afin de maintenir son équilibre en tout temps** et de mieux maîtriser l'outil dans des situations imprévues.
- **Utiliser le matériel de sécurité approprié; toujours porter des lunettes de protection.** Porter un masque anti-poussières, des chaussures antidérapantes, un casque de sécurité ou des protecteurs auditifs lorsque la situation le requiert.

### UTILISATION ET ENTRETIEN DE L'OUTIL

- **Fixer et soutenir la pièce sur une plate-forme stable au moyen d'une bride de serrage ou de tout autre dispositif semblable.** La pièce est instable lorsqu'on la retient manuellement ou qu'on l'appuie contre le corps, ce qui pourrait faire perdre la maîtrise de l'outil.
- **Ne pas forcer l'outil ni l'utiliser pour des travaux autres que ceux pour lesquels il a été conçu.** Pour obtenir de meilleurs résultats et prévenir les risques de blessure, laisser l'outil couper à la vitesse pour laquelle il a été conçu.
- **Ne pas utiliser l'outil lorsque l'interrupteur marche-arrêt ne fonctionne pas.** Tout outil qui ne peut être commandé au moyen de l'interrupteur est dangereux et doit être réparé.
- **Débrancher l'outil de la source d'alimentation électrique avant d'effectuer un réglage, de changer un accessoire ou de ranger l'outil; ces mesures préventives réduisent les risques de démarrage accidentel.**
- **Lorsqu'on n'utilise pas l'outil, le ranger hors de la portée des enfants ou des personnes non qualifiées.** Les outils sont dangereux entre les mains de personnes inexpérimentées.
- **Bien entretenir l'outil; s'assurer qu'il est toujours bien propre et aiguisé.** Les outils bien entretenus et dont les bords sont bien tranchants sont moins susceptibles de rester coincés et sont plus faciles à maîtriser.
- **Vérifier les pièces mobiles afin de s'assurer qu'elles sont bien alignées et qu'elles ne restent pas coincées. Vérifier également les pièces afin de s'assurer qu'il n'y a aucun bris ni aucune autre condition susceptible de nuire au bon fonctionnement de l'outil. Faire réparer l'outil si ce dernier est endommagé avant de s'en servir à nouveau, car les accidents sont souvent causés par des outils mal entretenus.**
- **N'utiliser que les accessoires recommandés par le fabricant pour le modèle concerné.** Un accessoire destiné à un outil particulier peut devenir dangereux lorsqu'il est utilisé avec un autre.

### ENTRETIEN

- **L'outil doit être entretenu par le personnel qualifié seulement; toute maintenance effectuée par une personne non qualifiée pourrait entraîner des risques de blessure.**
- **Lors de l'entretien, n'utiliser que des pièces de rechange identiques et suivre les directives précisées à la section « Entretien » du présent guide afin de prévenir les risques de choc électrique ou de blessure.**

## Consignes de sécurité particulières relatives aux tronçonneuses

- **Utiliser toujours le dispositif de protection qui convient à la meule afin de protéger l'opérateur des fragments pouvant être projetés par une meule brisée ou d'empêcher tout contact avec la meule.**
- **La vitesse des accessoires doit correspondre à la vitesse minimale recommandée indiquée sur l'étiquette d'avertissement de l'outil, car les meules et les accessoires qui sont réglés à une vitesse trop élevée peuvent se briser et occasionner des blessures lorsque des fragments de métal sont projetés.**
- **Tenir l'outil par les surfaces isolées prévues à cette fin lorsqu'il risque d'entrer en contact avec des fils cachés ou son propre cordon, car de tels contacts peuvent mettre les pièces métalliques de l'outil sous tension, engendrant des risques de choc électrique.**
- **TOUJOURS PORTER DES LUNETTES DE PROTECTION LORSQU'ON UTILISE CET OUTIL.**
- **L'utilisation d'accessoires non spécifiés dans le présent guide n'est pas recommandée et peut présenter un danger.** L'utilisation d'un compresseur en vue de faire fonctionner l'outil à une vitesse supérieure à la vitesse nominale recommandée constitue un emploi abusif de l'outil.
- **Ne jamais utiliser de lames pour scie circulaire avec cet outil, ni de lames dentées, afin d'éviter les risques de blessure grave.**
- **Avant d'utiliser un accessoire recommandé, le vérifier afin de s'assurer qu'il n'y a aucun bris ni fissure. Si on y trouve de tels défauts, mettre l'accessoire au rebut. Inspecter également l'accessoire chaque fois qu'il subit un choc, car un accessoire défectueux risque de briser la meule. Ne pas reposer l'outil sur la meule.**
- **Lorsqu'on démarre l'outil (après y avoir installé une meule neuve ou de rechange) ou qu'on doute de son état de fonctionnement, se tenir dans un endroit bien protégé et le faire fonctionner pendant une minute, car si l'outil est fissuré ou brisé, il devrait éclater en moins d'une minute. Ne jamais démarrer un outil lorsque quelqu'un, y compris l'opérateur, se tient directement devant lui.**
- **Éviter de faire rebondir la meule durant son fonctionnement ou de l'utiliser sans ménagement.** Si la meule subit de tels traitements, arrêter l'outil et inspecter cette dernière.
- **Orienter les étincelles dans le sens opposé de l'opérateur ou de toute autre personne se trouvant à proximité, ainsi que des matériaux inflammables.** Les meuleuses ou ponceuses peuvent produire des étincelles susceptibles de causer des brûlures ou un incendie.
- **Toujours utiliser la poignée de manœuvre et la fixer solidement afin de maîtriser l'outil en tout temps.**
- **Ne jamais couper dans une zone pouvant camoufler des tuyaux ou des fils électriques afin d'éviter les risques de blessure grave.**
- **Bien nettoyer l'outil périodiquement, surtout après l'avoir utilisé longuement, car la poussière et les particules métalliques tendent à s'accumuler sur les surfaces internes et peuvent entraîner des risques de choc électrique.**
- **Ne pas utiliser l'outil pendant de longues périodes** car les vibrations causées par ce dernier peuvent être endommageables aux mains et aux bras. Porter des gants afin d'amortir les vibrations et restreindre l'exposition du corps aux vibrations en arrêtant fréquemment.

**▲ AVERTISSEMENT :** Certains outils électriques, tels que les sableuses, les scies, les meules, les perceuses ou certains autres outils de construction, peuvent produire de la poussière contenant des produits chimiques susceptibles d'entraîner le cancer, des malformations congénitales ou pouvant être nocifs pour le système reproductif. Parmi ces produits chimiques, on retrouve :

- le plomb dans les peintures à base de plomb,
- la silice cristalline dans les briques et le ciment et autres produits de maçonnerie,
- l'arsenic et le chrome dans le bois de sciage ayant subi un traitement chimique (comme l'arséniate de cuivre et de chrome).



Le risque associé à de telles expositions varie selon la fréquence avec laquelle on effectue ces travaux. Pour réduire l'exposition à de tels produits, il faut travailler dans un endroit bien aéré et utiliser le matériel de sécurité approprié, tel un masque anti-poussières spécialement conçu pour filtrer les particules microscopiques.

- **Éviter tout contact prolongé avec la poussière soulevée par cet outil ou autres outils électriques. Porter des vêtements de protection et nettoyer les parties exposées du corps à l'eau savonneuse. S'assurer de bien se protéger afin d'éviter d'absorber par la bouche, les yeux ou la peau des produits chimiques nocifs.**

**⚠ AVERTISSEMENT** : Cet outil peut produire et répandre de la poussière susceptible de causer des dommages sérieux et permanents au système respiratoire. Toujours utiliser un appareil respiratoire anti-poussières approuvé par le NIOSH ou l'OSHA. Diriger les particules dans le sens opposé du visage et du corps.

**⚠ MISE EN GARDE** : Porter un appareil de protection personnel anti-bruit approprié durant l'utilisation. Sous certaines conditions et pendant toute la durée de l'utilisation, le bruit émanant de ce produit pourrait contribuer à la perte d'audition.

- L'étiquette apposée sur l'outil peut afficher les symboles suivants, ainsi que leurs définitions :

V.....volts.	A.....ampères
Hz.....hertz	W.....watts
min .....minuts	~ .....courant alternatif
==== .....courant continu	n° .....aucune option à vide
 .....construction de classe II	.../min.....tours par minute
 .....borne de terre	⚠ .....symbole d'avertissement

## CONSERVER CES DIRECTIVES

### COMPOSANTS

Se reporter à la figure 1 afin d'obtenir la liste complète des composants.

### ASSEMBLAGE

#### Rotation du carter d'engrenage (fig. 2 et 3)

**REMARQUE** : La broche de cet outil a été montée en usine du côté droit en vue d'être utilisée par un droitier.

#### CONVERSION EN VUE DE L'UTILISATION PAR UN GAUCHER

**⚠ MISE EN GARDE** : Arrêter et débrancher l'outil avant d'effectuer un réglage ou de retirer ou d'installer une pièce ou un accessoire. S'assurer que l'interrupteur est en position d'arrêt.

1. Placer l'outil sur une surface solide et plane.
2. Retirer la poignée de manoeuvre (F) en enlevant les deux boulons hexagonaux (Q), ainsi que les isolants supérieurs (R) et inférieurs (S).
3. Retirer le dispositif de protection en desserrant les écrous de son élément d'assemblage (N).
4. Retirer les quatre vis d'assemblage (O) du carter d'engrenage.
5. Faire pivoter le carter d'engrenage (P) de 180° sans le retirer du boîtier de l'outil.

**REMARQUE** : Si le carter d'engrenage et le carter du moteur se séparent de plus de 3,2 mm (1/8 po), rapporter l'outil à un centre de service DEWALT afin d'être soumis à un entretien et assemblé à nouveau et d'empêcher le moteur, la brosse et le coussinet de faire défaut.

6. Réinsérer les 4 vis d'assemblage du carter d'engrenage (O) et les serrer fermement jusqu'à l'obtention d'un couple de 30 po-lb.
7. Rattacher le dispositif de protection en dirigeant le patin dans le même sens que la poignée de l'interrupteur à gâchette (H). S'assurer que le dispositif de protection est enclenché à fond sur le moyeu à roulement de la broche et que ses deux languettes rentrent bien dans la rainure du moyeu à roulement de la broche. Resserrer fermement les écrous de l'élément d'assemblage (N) en réglant le couple à 50 po-lb.
8. Réinstaller la poignée de manoeuvre, ainsi que les isolants inférieurs (S) et supérieurs (R) et les deux boulons hexagonaux (Q); resserrer le tout fermement, en réglant le couple à 75 po-lb. Voir la figure 2 pour connaître l'orientation appropriée de la poignée de manoeuvre.

**⚠ AVERTISSEMENT** : Les isolants en plastique doivent être assemblés au moyen des boulons hexagonaux et des ferrures, tel qu'illustré à la figure 3, afin d'éviter les risques de choc électrique.

### FONCTIONNEMENT

#### Moteur

S'assurer que le courant nominal du cordon d'alimentation correspond à celui indiqué sur la plaque signalétique. Une tension inférieure de plus de 10 % à celle indiquée pourrait entraîner une perte de puissance et une surchauffe. Tous les outils DEWALT sont soumis à des essais en usine; si cet outil ne fonctionne pas, on doit d'abord vérifier l'intensité nominale du cordon d'alimentation.

#### Bouton de verrouillage de la broche (fig. 4)

Ce bouton (I) sert à verrouiller la broche lorsqu'on change un accessoire. Pour l'actionner, débrancher l'outil et s'assurer que l'interrupteur est en position d'arrêt, puis enfoncer le bouton en faisant tourner la meule et la broche jusqu'à ce que cette dernière reste bloquée. Dévisser l'écrou de la broche (J) au moyen de la clé fournie, puis retirer ou assembler l'accessoire voulu. La broche est filetée à droite.

#### Installation des meules abrasives (fig. 4 et 5)

**⚠ MISE EN GARDE** : Arrêter et débrancher l'outil avant d'effectuer un réglage ou de retirer ou d'installer une pièce ou un accessoire. S'assurer que l'interrupteur est en position d'arrêt.

1. Déposer l'outil sur une surface solide, en orientant la partie inférieure du patin (E) vers le haut.
2. Desserrer les écrous à oreilles de réglage de profondeur (C), puis déplacer le patin de manière à faciliter autant que possible l'accès à l'écrou de la broche. Resserrer les écrous afin de maintenir le patin en place.
3. À l'aide de la clé à fourche de 28 mm (1 1/8 po), retirer l'écrou de la broche (J), la rondelle de bride de serrage externe (K) et la meule usagée (L), si cette dernière est installée. Empêcher la broche de tourner au moyen de son bouton de verrouillage. (La broche est filetée à droite).
4. S'assurer que la rondelle de bride de serrage interne (M) est bien en place et que les oreilles sont bien engagées dans les surfaces planes de la broche. Faire passer la meule à travers la partie inférieure du patin, par dessus la broche. S'assurer que la meule recouvre le diamètre du guide de la rondelle de bride de serrage interne. Insérer la rondelle de serrage externe. Commencer à visser l'écrou de la broche (celle-ci alignera automatiquement la rondelle de serrage externe).
5. Actionner le bouton de verrouillage de la broche, puis serrer l'écrou au moyen de la clé, en évitant de trop serrer.
6. Tourner la meule manuellement pour s'assurer qu'elle est bien centrée. La meule ne devrait pas toucher ni le patin, ni le dispositif de protection, ni l'écrou. Bien serrer l'écrou et les brides.
7. S'assurer de réajuster le patin à la profondeur de coupe voulue.

**⚠ MISE EN GARDE** : Toujours utiliser une meule no 1 de 304,8 mm (12 po) munie d'un orifice d'arbre de 25,4 mm (1 po) avec cet outil. Ne jamais forcer la meule sur la machine ou modifier la dimension de l'orifice d'arbre.

#### Profondeur de coupe (fig. 6 et 7)

**⚠ AVERTISSEMENT** : On ne peut couper les bords qu'au moyen de meules spécialement conçues pour ce type de coupe particulier. On doit se protéger en orientant l'ouverture du dispositif de protection vers une surface quelconque.

**⚠ AVERTISSEMENT** : Les meules peuvent se briser ou faire des rebonds si elles sont courbées ou tordues lorsqu'on effectue des travaux de tronçonnage.

**⚠ AVERTISSEMENT** : On doit éviter d'utiliser un coupe- bordure pour effectuer le meulage de finition puisque ces meules ne sont pas conçues pour subir la pression latérale inhérente à ce type de travaux, ce qui risque de briser la meule et de blesser l'utilisateur.

**⚠ MISE EN GARDE** : Arrêter et débrancher l'outil avant d'effectuer un réglage ou de retirer ou d'installer une pièce ou un accessoire. S'assurer que l'interrupteur est en position d'arrêt.

La profondeur de coupe peut être réglée en desserrant les deux écrous à oreilles de réglage de profondeur (C) situés sur la partie extérieure du dispositif de protection en vue de modifier la position du patin. Serrer fermement les écrous à oreilles au moyen de la fente dans la clé (fournie).

#### COUPE DE MÉTAUX ET DE MATÉRIAUX MINCES

Lors de la coupe de matériaux minces tels les métaux, on doit régler le patin de manière à obtenir la profondeur de coupe maximale (voir la fig. 6).

#### COUPE DE PIERRES OU DE PRODUITS DE MAÇONNERIE

Régler la meule de manière à ce qu'elle dépasse le patin sur environ 13 mm (1/2 po). Dans plusieurs cas, le matériau se brisera facilement le long de la ligne entaillée de 13 mm (1/2 po) de profondeur. Si une coupe plus profonde est requise, on doit augmenter la profondeur de coupe par échelons d'environ 13 mm (1/2 po) (fig. 7).

#### FONCTIONNEMENT (fig. 2)

**⚠ MISE EN GARDE** : Avant de démarrer l'outil, le saisir fermement des deux mains, puis le soulever.

1. Saisir la poignée de l'interrupteur à gâchette (H) et la poignée de manoeuvre (F).
2. Aligner la meule avec le matériau à couper, en s'assurant que rien ne se trouve dans la ligne de coupe de la meule ni trop près de celle-ci.
3. Appuyer sur l'interrupteur à gâchette (A) puis, sans le relâcher, faire avancer lentement la meule dans le matériau en appliquant une pression ferme. Appuyer le patin (E) fermement contre la pièce, sans forcer l'outil. Pour obtenir un rendement optimal et assurer la durée de vie maximale de la meule, maintenir une vitesse élevée.
4. Pour arrêter l'outil, relâcher l'interrupteur à gâchette (A).

#### Applications

**⚠ AVERTISSEMENT** : Ne JAMAIS utiliser l'outil pour couper des pièces de magnésium, car les particules de magnésium peuvent s'enflammer et entraîner des risques de blessure.

- Tôle mince de 3 mm (1/8 po) max.
- Béton, blocs en béton de laitier et briques
- Barres d'armature, (généralement inférieures à 19 mm ou 3/4 po de diamètre)
- Béton renforcé de treillis métallique de 3 mm (1/8 po) de diamètre
- Coffrages en béton ondulé pour planchers et plafonds
- Conduites électriques pour murs de 3 mm (1/8 po) d'épaisseur
- Charpentes de 3 mm 1/8 po) d'épaisseur maximale (canaux, cornières, plaques, etc.)

**REMARQUE** : La coupe de matériaux plus épais que ceux énoncés ci-dessus n'est pas recommandée en raison des risques de surcharge électrique.

#### RÉGLAGE DE L'ANGLE DU DISPOSITIF DE PROTECTION

**⚠ MISE EN GARDE** : Arrêter et débrancher l'outil avant d'effectuer un réglage ou de retirer ou d'installer une pièce ou un accessoire. S'assurer que l'interrupteur à gâchette est en position d'arrêt.

1. Desserrer les écrous d'assemblage (N) du dispositif de protection (fig. 2).
2. Saisir fermement le dispositif de protection et le faire pivoter jusqu'à la position voulue.
3. Serrer les écrous de blocage afin de bien verrouiller le dispositif de protection.

### ENTRETIEN

#### Balais de moteur

**⚠ MISE EN GARDE** : Arrêter et débrancher l'outil avant d'effectuer un réglage ou de retirer ou d'installer une pièce ou un accessoire. S'assurer que l'interrupteur à gâchette est en position d'arrêt.

Lorsque les balais sont usés, l'outil s'arrête automatiquement, empêchant ainsi tout dommage au moteur. Ces balais doivent être remplacés dans les centres de service autorisés DEWALT ou par du personnel qualifié, conformément aux procédures de remplacement précisées ci-après.

1. Retirer les panneaux situés de chaque côté du carter du moteur.
2. Pour retirer le balai, tenir la borne femelle fixée au fil conducteur du balai, puis débrancher la borne femelle de la borne mâle.
3. Tirer le balai tout droit hors du porte-balai.
4. Avant d'installer un balai neuf, déplacer le bras à ressort du balai et le mettre à l'écart.
5. Remplacer les balais jumelés par des balais DEWALT d'origine vendus dans les centres de service autorisés DEWALT.
6. S'assurer que les balais glissent librement dans le boîtier du balai.
7. Rebrancher le fil conducteur du balai à la borne du boîtier.
8. Réinstaller les panneaux avant d'utiliser l'outil. Serrer les vis jusqu'à l'obtention d'un couple de 10 po/lb maximum; un serrage excessif pourrait fausser le pas de vis.

#### Nettoyage

**⚠ AVERTISSEMENT** : Il est nécessaire de bien nettoyer le carter du moteur périodiquement au moyen d'un système à air comprimé propre et sec afin d'éliminer la poussière et les particules métalliques qui tendent à s'accumuler sur les surfaces internes et peuvent entraîner des risques de choc électrique ou d'électrocution, TOUJOURS PORTER DES LUNETTES DE SÉCURITÉ.

**⚠ MISE EN GARDE** : Ne jamais utiliser de solvants ou d'autres produits chimiques pour nettoyer les pièces non métalliques de l'outil; ne les nettoyer qu'au moyen d'un linge propre et sec.

#### Lubrification

Les outils DEWALT sont lubrifiés en usine et sont donc prêts à utiliser.

#### Accessoires

Les accessoires recommandés pour cet outil (meules abrasives pour la coupe de maçonnerie, d'asphalte et de métal et meules au diamant) sont vendus séparément chez les dépositaires locaux ou dans les centres de service autorisés. Pour obtenir plus d'information sur les accessoires, communiquer avec DEWALT Industrial Tool Co., 701 East Joppa Road, Baltimore, MD 21286, aux États-Unis.

**⚠ AVERTISSEMENT** : La vitesse des accessoires doit correspondre à la vitesse minimale recommandée indiquée sur l'étiquette d'avertissement de l'outil, car les meules et autres accessoires qui sont réglés à une vitesse trop élevée peuvent se détacher et être projetés, ce qui risque d'occasionner des blessures. La vitesse nominale d'un accessoire doit toujours être supérieure à celle de l'outil indiquée sur la plaque signalétique de celui-ci.

**⚠ AVERTISSEMENT** : L'utilisation de tout autre accessoire non recommandé avec cet outil pourrait être dangereux.

#### Réparations

Pour assurer la SÉCURITÉ et la FIABILITÉ de ce produit, toutes les opérations d'entretien, de réparation et de réglage doivent être effectuées dans un centre de service autorisé ou par du personnel qualifié (cela comprend l'inspection et le remplacement du balai); on ne doit utiliser que des pièces de rechange identiques.

#### Garantie Limitée de Trois Ans

DEWALT réparera, sans frais, tout produit défectueux causé par un défaut de matériel ou de fabrication pour une période de trois ans à compter de la date d'achat. Pour obtenir de plus amples renseignements sur les réparations couvertes par la présente garantie, composer le 1 800 433-9258 (1-800-4-DEWALT). Cette garantie ne s'applique pas aux accessoires et ne vise pas les dommages causés par des réparations effectuées par un tiers. Cette garantie confère des droits légaux particuliers à l'acheteur, mais celui-ci pourrait aussi bénéficier d'autres droits variant d'un état ou d'une province à l'autre.

En plus de la présente garantie, les outils DEWALT sont couverts par notre :

##### CONTRAT D'ENTRETIEN GRATUIT D'UN AN

DEWALT entretiendra l'outil et remplacera les pièces usées au cours d'une utilisation normale et ce, gratuitement, pendant une période d'un an à compter de la date d'achat, et la

##### GARANTIE DE REMBOURSEMENT DE 90 JOURS

Si l'acheteur n'est pas entièrement satisfait, pour quelque raison que ce soit, du rendement de l'outil électrique, du laser ou de la cloueuse DEWALT, celui-ci peut le retourner, accompagné d'un reçu, dans les 90 jours à compter de la date d'achat, pour obtenir un remboursement intégral, sans aucun problème.

**REPLACEMENT GRATUIT DE L'ÉTIQUETTE D'AVERTISSEMENT** : En cas de perte ou d'endommagement des étiquettes d'avertissement, composer le 1 800 433-9258 afin d'en obtenir de nouvelles sans frais.



## Español

### Instrucciones de seguridad generales



**¡ADVERTENCIA!** Lea y comprenda todas las instrucciones. El no ajustarse a las instrucciones siguientes puede causar descarga eléctrica, incendio o lesiones corporales graves.

### CONSERVE ESTAS INSTRUCCIONES

#### ÁREA DE TRABAJO

- **Mantenga el área de trabajo limpia y bien iluminada.** Las mesas de trabajo desordenadas y lugares oscuros propician los accidentes.
- **No opere máquinas herramienta en atmósferas explosivas, como en presencia de líquidos, gases o polvos inflamables.** Las máquinas herramienta producen chispas que pueden originar la ignición del polvo o los vapores.
- **Mientras opere máquinas herramienta, mantenga alejados a observadores, niños y visitas.** Las distracciones pueden hacer que pierda el control.

#### SEGURIDAD ELÉCTRICA

- **Las herramientas con conexión a tierra deben conectarse a una toma de corriente debidamente instalada y con conexión a tierra, de acuerdo con todos los códigos y ordenanzas aplicables. Nunca quite la pata de conexión a tierra ni modifique el enchufe en ninguna manera. No emplee ningún adaptador para enchufes. Si tiene alguna duda acerca de si la toma de corriente está debidamente conectada a tierra, consulte a un electricista calificado. Si las herramientas presentasen fallas eléctricas o averías, la conexión a tierra ofrece una vía de baja resistencia para alejar la corriente eléctrica del usuario. Esta herramienta utiliza una construcción con conexión a tierra (enchufe de tres patas) para poder transferir energía eléctrica en forma segura en dirección contraria al usuario en caso de que la herramienta presente una falla eléctrica, se averíe o si la herramienta se cargue de corriente por algún otro motivo. El daño a o pérdida de una de las tres patas del enchufe, el daño al enchufe o al cable o el no enchufar la herramienta a una instalación eléctrica verificada y continuamente conectada a tierra puede resultar en descarga eléctrica, lesiones serias o muerte. Para evitar estos riesgos, la herramienta debe, en todo momento, ser mantenida y encontrarse en buena condición para su funcionamiento (cable, y patas del enchufe) y estar enchufada a una instalación eléctrica continuamente conectada a tierra. (Ver también bajo "Limpieza" en la sección de Mantenimiento.) **Sólo es aplicable a las herramientas de Clase I (con conexión a tierra).****
- **Las herramientas con doble aislamiento están equipadas con un enchufe polarizado (una pata es más ancha que la otra). Este enchufe puede ser conectado a una toma de corriente polarizada de una sola manera. Si el enchufe no puede ser conectado debidamente a la toma de corriente, invíértalo. Si aún así no entra, comuníquese con un electricista calificado para que instale una toma de corriente polarizada. No altere el enchufe de ninguna manera. El doble aislamiento elimina la necesidad de cables con tres hilos y sistemas de suministro eléctrico con conexión a tierra. **Sólo es aplicable a las herramientas de Clase II (con doble aislamiento).****
- **Evite el contacto del cuerpo con superficies conectadas a tierra, tales como tuberías, radiadores, cocinas y refrigeradores.** El riesgo de descarga eléctrica aumenta si su cuerpo hace conexión a tierra.
- **No exponga las máquinas herramienta a la lluvia o a condiciones de mucha humedad.** Si entra agua en una máquina herramienta, aumentará el riesgo de descarga eléctrica.
- **No maltrate el cable. Nunca agarre la herramienta por el cable ni tire de él para desenchufarla. Mantenga el cable alejado de fuentes de calor, aceite, bordes afilados o piezas en movimiento. Cambie inmediatamente los cables dañados.** Los cables dañados aumentan el peligro de descarga eléctrica.
- **Cuando opere una máquina herramienta a la intemperie, utilice un alargador marcado "W-A" o "W".** Estos alargadores están clasificados para ser usados a la intemperie y reducen el riesgo de descarga eléctrica. Al usar un alargador, asegúrese de que tenga el calibre necesario para llevar la corriente que su producto requerirá. Un alargador de un calibre insuficiente causará una caída en la tensión de la línea dando por resultado la pérdida de energía y sobrecalentamiento. La tabla siguiente muestra el tamaño correcto para utilizar dependiendo de la longitud del alargador y del amperaje nominal de la placa de identificación. En caso de duda, utilice el de mayor calibre. Cuanto más pequeño es el número del calibre, más resistente es el alargador.

#### Calibre mínimo para alargadores

Voltios	Longitud total del cable en metros			
120V	0-7,6	7,6-15,2	15,2-30,5	30,5-45,8
<b>Amperaje</b>	<b>AWG</b>			
Más No más				
de de				
12 - 16	14	12	No recomendado	

#### SEGURIDAD PERSONAL

- **Al utilizar una máquina herramienta, esté atento, concéntrese en lo que hace y aplique el sentido común. No utilice la herramienta si se encuentra fatigado o bajo la influencia de drogas, alcohol, o fármacos.** Mientras se utilizan máquinas herramientas, basta un instante de distracción para sufrir lesiones corporales graves.
- **Lleve ropa adecuada. No utilice ropa suelta ni joyas. Recójase el cabello largo. Mantenga su cabello, ropa y guantes apartados de las piezas en movimiento.** Las partes móviles pueden atrapar prendas de vestir sueltas, joyas y cabello. Las rejillas de ventilación suelen cubrir piezas en movimiento, por lo que también se deben evitar.
- **Evite puestas en marcha accidentales. Asegúrese de que el conmutador esté apagado antes de enchufar la máquina.** El transportar las herramientas con el dedo sobre el conmutador o enchufarlas con el conmutador encendido favorece los accidentes.
- **Antes de poner en marcha la herramienta, retire las llaves de ajuste.** Una llave que se deje en una pieza giratoria de la herramienta puede provocar lesiones corporales.
- **No se sobreentienda. Manténgase siempre bien apoyado y equilibrado.** Un buen apoyo y equilibrio permite controlar mejor la herramienta si se produce algún imprevisto.
- **Utilice equipo de seguridad. Lleve siempre protección ocular.** Se debe usar mascarilla antipolvo, calzado de seguridad con suelas antideslizantes, casco o protectores auditivos dependiendo de las condiciones.

#### USO Y CUIDADO DE LA HERRAMIENTA

- **Utilice abrazaderas u otro elemento adecuado para fijar y apoyar la pieza de trabajo a una plataforma estable.** El sujetar la pieza con la mano o contra el cuerpo es inestable y podría causar una pérdida de control.
- **No fuerce la herramienta. Emplee la herramienta correcta para cada aplicación.** La herramienta correcta hará el trabajo mejor y más seguro dentro del rango para el que ha sido diseñada.
- **No utilice la herramienta si el conmutador no la enciende y apaga.** Cualquier herramienta que no pueda controlarse con el conmutador es peligrosa y se debe reparar.
- **Desconecte el enchufe de la toma de corriente antes de proceder con cualquier ajuste, cambiar un accesorio o guardar la herramienta.** Estas medidas de seguridad preventivas reducen el riesgo de poner en marcha la herramienta accidentalmente.

- **Cuando no las utilice, guarde las herramientas fuera del alcance de niños o de cualquier persona no capacitada.** Las herramientas son peligrosas en manos de usuarios no capacitados.
- **Cuide las herramientas. Conserve las herramientas de corte afiladas y limpias.** Es menos probable que una herramienta que haya sido debidamente mantenida y que tenga sus bordes de corte afilados se atasque. Además son más fáciles de controlar.
- **Compruebe que las piezas móviles no estén desalineadas o atascadas, que no haya ninguna pieza rota ni cualquier otra circunstancia que pudiera afectar el funcionamiento de la herramienta. Si la herramienta está dañada, hágala reparar antes de usarla.** Muchos accidentes son provocados por herramientas mal cuidadas.
- **Utilice únicamente los accesorios recomendados por el fabricante para su modelo.** Un mismo accesorio puede ser adecuado para una herramienta, pero peligroso si se usa en otra.

#### SERVICIO

- **El servicio a la herramienta sólo debe realizarlo personal de reparación calificado.** El servicio o mantenimiento realizados por personal no calificado puede dar como resultado un riesgo de lesiones.
- **Al proceder al mantenimiento de una herramienta, utilice únicamente repuestos originales. Siga las instrucciones de la sección de Mantenimiento de este manual.** La utilización de piezas no autorizadas o el no respetar las instrucciones de mantenimiento, puede suponer un peligro de descarga eléctrica o de lesiones.

### Instrucciones de seguridad adicionales para máquinas cortadoras

- **Utilice siempre el protector apropiado con el disco de esmeril.** El protector protege al operador de los fragmentos que se desprenden del disco, así como del contacto con el disco.
- **Los accesorios deben estar clasificados por lo menos para la velocidad recomendada en la etiqueta de advertencia de la herramienta.** Si funcionan a velocidades superiores a la prevista, los discos y otros accesorios pueden deshacerse y provocar lesiones. Las clasificaciones de los accesorios deben estar siempre por encima de la velocidad de la herramienta, como se muestra en la placa nominal de la herramienta.
- **Sujete la herramienta por sus empuñaduras aisladas si lleva a cabo una operación en que la herramienta pueda tocar cables eléctricos ocultos o su propio cable.** El contacto con un cable activo provocará que las piezas metálicas de la herramienta se carguen que el operador reciba una descarga eléctrica.
- **SIEMPRE USE PROTECCIÓN OCULAR CUANDO USE ESTA HERRAMIENTA.**
- **El uso de accesorios que no aparecen especificados en este manual no se recomienda y podría ser peligroso.** El uso de amplificadores de potencia que harían que la herramienta fuera operada a velocidades mayores a su velocidad nominal se considera un mal uso de esta.
- **No use hojas para sierras circulares ni ningún otro tipo de hojas con dientes con esta herramienta.** Podría resultar en lesiones graves.
- **Antes de usarlos, inspeccione los accesorios recomendados en busca de cuarteaduras y fallas. Si hay fallas o cuarteaduras evidentes, elimine el accesorio. También se debe inspeccionar el accesorio siempre cuando la herramienta pueda haberse caído.** Las fallas pueden provocar la rotura del disco. No coloque la unidad sobre el disco cuando la ponga a un lado.
- **Cuando arranque la herramienta con un disco nuevo o de repuesto instalado o si no está seguro de la condición del disco, sostenga la herramienta en un área bien protegida y déjela que ande por un minuto.** Si el disco tiene una cuarteadura o falla no detectada, debiera reventar en menos de un minuto. Nunca arranque la herramienta con una persona situada en línea con el disco, incluyendo al operador.
- **Evite rebotar el disco o tratarlo bruscamente.** Si ello sucediera, detenga la herramienta e inspeccione el disco para ver si presenta cuarteaduras o fallas.
- **Dirija las chispas en dirección opuesta al operador, observadores y materiales inflamables.** Pueden saltar chispas al usar lijadoras o esmeriles. Las chispas pueden provocar quemaduras o incendios.
- **Siempre use el asa. Ajústela firmemente.** El asa debería ser utilizada siempre para mantener el control de la herramienta en todo momento.
- **Nunca corte en un área que podría contener cables eléctricos o tuberías.** Podría resultar en lesiones graves.
- **Limpie su herramienta con frecuencia, especialmente después de usos prolongados.** El polvo y la arenilla que contienen partículas metálicas se acumulan con frecuencia en las superficies interiores y podrían ocasionar peligro de descarga eléctrica.
- **No opere esta herramienta durante períodos largos de tiempo.** La vibración causada por la acción de la herramienta puede ser dañina para sus manos y brazos. Use guantes para un mejor amortiguamiento y descanse con frecuencia para limitar su exposición.

**▲ ADVERTENCIA:** Parte del polvo generado por el lijado, serrado, esmerilado y taladrado eléctricos, así como al realizar otras actividades de construcción, contienen productos químicos que pueden producir cáncer, defectos de nacimiento u otras afecciones reproductivas. Ejemplos de esas substancias químicas son:

- plomo procedente de pinturas a base de plomo,
- sílice cristalina procedente de ladrillos, cemento y otros productos de mampostería y
- arsénico y cromo procedentes de madera tratada químicamente (arseniato de cobre cromado).

El peligro derivado de estas exposiciones que usted enfrente varía en función de la frecuencia con que se realice este tipo de trabajo. Para reducir la exposición a esas sustancias químicas: trabaje en una zona bien ventilada y llevando equipos de seguridad aprobados, como mascarillas antipolvo especialmente diseñadas para filtrar partículas microscópicas.

- **Evite el contacto prolongado con el polvo procedente del lijado, serrado, esmerilado y taladrado eléctricos, así como de otras actividades de construcción. Lleve ropa protectora y lave con agua y jabón las zonas expuestas.** El permitir que el polvo se introduzca en su boca u ojos o quede sobre la piel puede favorecer la absorción de productos químicos peligrosos.

**▲ ADVERTENCIA:** El uso de esta herramienta puede generar o dispersar polvo lo cual puede causar lesiones respiratorias serias y permanentes y otros tipos de lesión. Siempre use protección respiratoria aprobada por NIOSH/OSHA para la exposición al polvo. Dirija las partículas en dirección opuesta a su cara y cuerpo.

**▲ PRECAUCIÓN:** Utilice protección auditiva apropiada durante el uso. En determinadas condiciones y con utilizaciones prolongadas, el ruido generado por este producto puede favorecer la pérdida de audición.

- La etiqueta de su herramienta puede incluir los siguientes símbolos. A continuación se indican los símbolos y sus definiciones:

V.....voltios	A.....amperios
Hz.....hercios	W.....vatios
min.....minutos	~.....corriente alterna
====.....corriente directa	nº.....velocidad sin carga
☐.....construcción de	.../min.....revoluciones por minuto
Clase II	⊕.....terminal con conexión a tierra
▲.....símbolo de alerta de seguridad	

### CONSERVE ESTAS INSTRUCCIONES

#### COMPONENTES

Refiérase a la Figura 1 para una lista completa de componentes.

#### ENSAMBLAJE

##### Rotación del cárter (Figuras 2, 3)

**NOTA:** Esta máquina ha sido ensamblada de fábrica con el eje en el lado derecho de la unidad, para la operación diestra.

#### CONVERSIÓN DE OPERACIÓN DIESTRA A SINIESTRA

**▲ PRECAUCIÓN:** Apague y desenchufe la herramienta antes de hacer cualquier ajuste o de quitar o instalar accesorios. Asegúrese que el conmutador tipo gatillo esté en la posición OFF (apagada).

- Coloque la unidad sobre una superficie de trabajo plana y firme.
- Para quitar el asa (F), quite los 2 pernos hexagonales (Q), los aisladores superiores (R) y aisladores inferiores (S).
- Para quitar el protector, quite las tuercas de montaje del protector (N).
- Quite los 4 tornillos de montaje del cárter (O).
- Gire el cárter en 180° sin tirar del cárter (P) en dirección contraria a la caja de la herramienta.

**NOTA:** Si el cárter y la caja protectora del motor se separan en más de 3 mm (1/8 pulg.), la herramienta deberá ser reparada y reensamblada en un centro de servicio DeWALT. El no reparar la herramienta podría causar fallas en las escobillas, el motor y los rodamientos.
- Vuelva a poner los 4 tornillos de montaje del cárter (O) en sus sitios y ajústelos firmemente a 3,4 Nm (30 pulg.-lb.)
- Vuelva a conectar el protector de modo que la base quede en la misma dirección que el mango del conmutador tipo gatillo (H). Asegúrese que el protector esté lo más adentro posible en el cubo del eje y que ambas lengüetas del protector enganchen en la ranura del cubo del eje. Ajuste las tuercas de montaje del protector (N) a 5,65 Nm (50 pulg.-lb.).
- Vuelva a poner el asa en su sitio con los aisladores inferiores (S), aisladores superiores (R) y los 2 pernos hexagonales (Q) y luego ajústelos firmemente a 8,48 Nm (75 pulg.-lb.). Refiérase a la figura 2 para la orientación del asa.

**▲ ADVERTENCIA:** *Se deben ensamblar los pernos hexagonales y el soporte con aisladores de plástico, como lo muestra la Figura 3. El no hacer esto podría resultar en lesiones por descarga eléctrica.*

## OPERACIÓN

### Motor

Asegúrese que su alimentación eléctrica vaya de acuerdo con la potencia nominal. Reducciones de voltaje de más de 10% causarán una pérdida de potencia y sobrecalentamiento. Todas las herramientas DeWALT son probadas en la fábrica; si esta herramienta no funciona, revise la alimentación eléctrica.

### Botón de bloqueo del eje (Figura 4)

El botón de bloqueo del eje (I) se utiliza para bloquear el eje cuando se cambian los accesorios. **Para activar el botón de bloqueo del eje**, desenchufe la herramienta de la toma de corriente y asegúrese que el conmutador esté en la posición *OFF* (apagado). Presione el botón de bloqueo y gire el disco y el eje hasta que el botón de bloqueo enganche con el eje. Utilice la llave que viene incluida para destornillar la tuerca del eje (J) y quite o instale los accesorios deseados. El hilo del eje va en dirección de las manillas del reloj.

### Instalación de discos abrasivos (Figuras 4, 5)

**▲ PRECAUCIÓN:** *Apague y desenchufe la herramienta antes de hacer cualquier ajuste o de quitar o instalar accesorios. Asegúrese que el conmutador tipo gatillo esté en posición OFF (apagada).*

- Coloque la unidad sobre una superficie firme con la parte inferior de la base (E) hacia arriba.
- Afloje las tuercas mariposa de ajuste de profundidad (C), desplace la base para facilitar el acceso a la tuerca del eje, luego ajuste las tuercas mariposa para fijar la base en su sitio.
- Utilice la llave fija de 28 mm (1-1/8 pulg.) para quitar la tuerca del eje (J), arandela de fijación externa (K) y disco usado (L) si acaso hay uno instalado. Sujete el eje con el botón de bloqueo del eje para evitar que gire. El hilo del eje va en dirección de las manillas del reloj.
- Asegúrese que la arandela de fijación interna (M) esté en su sitio y que las lengüetas estén sujetas entre las caras del eje. Deslice el disco por la parte inferior de la base y colóquelo sobre el eje. Asegúrese que el disco quede encima del diámetro del piloto de la arandela de fijación interna. Coloque la arandela de fijación externa. Empiece a roscar la tuerca del eje, la cual alineará la arandela de fijación externa.
- Active el botón de bloqueo del eje y ajuste la tuerca con la llave. No ajuste la tuerca del eje demasiado.
- Gire el disco manualmente para asegurar que esté bien centrado. El disco no debería golpear contra la base, el protector o la tuerca. La tuerca y las pestañas deberían quedar ajustadas.
- Asegúrese de volver a ajustar la base para la profundidad de corte apropiada.

**▲ PRECAUCIÓN:** *Use sólo discos Tipo 1 de 30,5 cm (12 pulg.) con orificios de 2,5 cm (1 pulg.) para el mandril con esta herramienta. Nunca fuerce la instalación del disco en la máquina ni altere el tamaño del orificio para el mandril.*

### Profundidad de corte (Figuras 6, 7)

**▲ ADVERTENCIA:** *El corte en bordes sólo puede realizarse con discos diseñados y especificados para este propósito. Para su protección personal, dirija el lado abierto del protector hacia una superficie cuando corte en bordes.*

**▲ ADVERTENCIA:** *Los discos utilizados para el corte pueden romperse o rebotar si se doblan o tuercen mientras la herramienta está siendo utilizada para cortar.*

**▲ ADVERTENCIA:** *No use los discos de cortar en bordes para aplicaciones de esmerilado de superficies. Estos discos no están diseñados para las presiones laterales existentes en el esmerilado de superficies. Podría causar que el disco se rompiese y resultar en lesiones.*

**▲ PRECAUCIÓN:** *Apague y desenchufe la herramienta antes de hacer cualquier ajuste o de quitar o instalar accesorios. Asegúrese que el conmutador tipo gatillo esté en posición OFF.*

La profundidad del corte puede ser ajustada al soltar las dos tuercas mariposa de ajuste de profundidad (C) en la parte de afuera del protector para cambiar la posición de la base. Ajuste bien las tuercas mariposa usando la ranura en la llave (incluida).

#### PARA CORTAR METALES Y MATERIALES FINOS

Cuando corte metales y otros materiales finos, ajuste la base para una profundidad máxima de corte, como lo muestra la Figura 6.

#### PARA CORTAR PIEDRA O MATERIALES DE MAMPOSTERÍA

Fije la exposición del disco a aproximadamente 13 mm (1/2 pulg.) de la base. Para muchas aplicaciones el material se romperá fácilmente si tiene un corte de 13 mm (1/2 pulg.) de profundidad. Si requiere de un corte más profundo, aumente la profundidad del corte en incrementos de aproximadamente 13 mm (1/2 pulg.) entre cada corte (Figura 7).

### Para Operar (Figura 2)

**▲ PRECAUCIÓN:** *Antes de intentar arrancar la herramienta, sujétela firmemente con ambas manos antes de levantarla.*

- Agarre el mango del conmutador tipo gatillo (H) y el asa (F) firmemente.
- Alinee el disco con el material a ser cortado. Asegúrese que no haya nada cerca a o en línea con el disco.
- Presione y sostenga el conmutador tipo gatillo (A) y luego lentamente inserte el disco a la pieza de trabajo con presión firme. Mantenga la base (E) firme y recta contra la pieza de trabajo. No fuerce la herramienta. Para una mayor eficiencia y duración del disco, mantenga la velocidad del disco alta.
- Para detener la herramienta, suelte el conmutador tipo gatillo (A).

### Aplicaciones

**▲ ADVERTENCIA:** *NUNCA corte magnesio con esta herramienta. Las partículas de magnesio pueden encenderse y causar lesiones corporales.*

- Metal en planchas de un grosor máximo de 3 mm (1/8 pulg.)
- Concreto, bloques de hormigón y ladrillo
- Barras de refuerzo; generalmente menores a 19 mm (3/4 pulg.) de diámetro
- Mallas de metal para concreto de 3 mm (1/8 pulg.) de diámetro
- Moldes ondulados para pisos y techos (moldes de concreto)
- Ductos eléctricos para paredes de 3 mm (1/8 pulg.) de grosor
- Moldes estructurales tales como canales, ángulos, placas, etc., de un grosor máximo de 3 mm (1/8 pulg.)

**NOTA:** El corte de materiales de mayor calibre que aquellos enumerados más arriba no se recomienda debido a la posibilidad de una sobrecarga eléctrica.

#### PARA AJUSTAR EL ÁNGULO DEL PROTECTOR

**▲ PRECAUCIÓN:** *Apague y desenchufe la herramienta antes de hacer cualquier ajuste o de quitar o instalar accesorios. Asegúrese que el conmutador tipo gatillo esté en la posición OFF (apagado).*

- Suelte las tuercas de montaje del protector (N), como lo muestra la Figura 2.
- Sujete firmemente el protector y gírelo al ángulo deseado.
- Ajuste las tuercas de fijación para fijar el protector en su sitio.

## MANTENIMIENTO

### Escobillas del Motor

**▲ PRECAUCIÓN:** *Apague y desenchufe la herramienta antes de hacer cualquier ajuste o de quitar o instalar accesorios. Asegúrese que el conmutador tipo gatillo esté en la posición OFF (apagado).*

Cuando las escobillas se gasten, la herramienta se detendrá automáticamente, evitando daños al motor. El cambio de las escobillas debería ser realizado por centros de servicio DeWALT autorizados u otro personal de servicio calificado. El personal de servicio calificado debería seguir los procedimientos de más abajo cuando cambie las escobillas del motor.

- Quite las compuertas de las escobillas, ubicadas en las partes laterales de la caja protectora del motor.
- Para quitar la escobilla, sostenga el terminal hembra, que está conectado al hilo principal de la escobilla y desconecte el terminal hembra del terminal macho.
- Tire de la escobilla para sacarla del sujetador de escobillas.
- Antes de poder instalar escobillas nuevas, el brazo de resorte de la escobilla debe ser movido hacia atrás.
- Reemplace las escobillas en pares, con escobillas DeWALT originales que encontrará en los centros de servicio DeWALT autorizados.
- Asegúrese que las escobillas se deslicen libremente en la caja de escobillas.
- Vuelva a conectar el hilo principal de las escobillas al terminal de la caja de escobillas.
- Vuelva a colocar las compuertas de las escobillas antes de usar la herramienta. Ajuste los tornillos con un par de torsión máximo de 1 Nm (10 pulg./lb.). El sobreajuste de estos puede forzar su rosca.

### Limpieza

**▲ ADVERTENCIA:** *Es necesario, como procedimiento de mantenimiento regular, extraer el polvo y la arenilla que se acumula en la caja protectora del motor con aire comprimido limpio y seco. El polvo y la arenilla que contienen partículas metálicas frecuentemente se acumulan en las superficies interiores y podrían causar descarga eléctrica o electrocución si no se limpian con frecuencia. SIEMPRE USE GAFAS DE PROTECCIÓN.*

**▲ PRECAUCIÓN:** *Nunca use solventes ni otros químicos fuertes para limpiar las piezas no metálicas de la herramienta. Sólo utilice un paño limpio y seco.*

### Lubricación

Las herramientas DeWALT están lubricadas de fábrica y están listas para utilizarse.

### Accesorios

Los accesorios recomendados para su herramienta (corte abrasivo de mampostería, corte abrasivo de asfalto, corte abrasivo de metal y hojas de diamante) están disponibles por un cargo adicional en su distribuidor local o en el centro de servicio autorizado. Si usted necesita ayuda para encontrar un accesorio para su herramienta, contacte a: DeWALT Industrial Tool Co., 701 East Joppa Road, Baltimore, MD 21286.

**▲ ADVERTENCIA:** *Los accesorios deben estar clasificados por lo menos para la velocidad recomendada en la etiqueta de advertencia de la herramienta. Si funcionan a velocidades superiores a la prevista, los discos y otros accesorios pueden deshacerse y provocar lesiones. Las clasificaciones de los accesorios deben estar siempre por encima de la velocidad de la herramienta, como se muestra en la placa nominal de la herramienta.*

**▲ ADVERTENCIA:** *La utilización de cualquier accesorio no recomendado para esta herramienta puede ser peligrosa.*

### Reparaciones

Las reparaciones, el mantenimiento y los ajustes del dispositivo (incluyendo la inspección y reemplazo de las escobillas) deberían ser realizados por centros de servicio autorizados u otras organizaciones de servicio calificadas, usando siempre repuestos originales, para asegurar la SEGURIDAD y FIABILIDAD del producto.

### Póliza de Garantía

IDENTIFICACIÓN DEL PRODUCTO:

Sello o firma del Distribuidor.

Nombre del producto: \_\_\_\_\_ Mod./Cat.: \_\_\_\_\_

Marca: \_\_\_\_\_ Núm. de serie: \_\_\_\_\_

(Datos para ser llenados por el distribuidor)

Fecha de compra y/o entrega del producto: \_\_\_\_\_

Nombre y domicilio del distribuidor donde se adquirió el producto:

\_\_\_\_\_

Este producto está garantizado por un año a partir de la fecha de entrega, contra cualquier defecto en su funcionamiento, así como en materiales y mano de obra empleados para su fabricación. Nuestra garantía incluye la reparación o reposición del producto y/o componentes sin cargo alguno para el cliente, incluyendo mano de obra, así como los gastos de transportación razonablemente erogados derivados del cumplimiento de este certificado.

Para hacer efectiva esta garantía deberá presentar su herramienta y esta póliza sellada por el establecimiento comercial donde se adquirió el producto, de no contar con ésta, bastará la factura de compra.

#### EXCEPCIONES

Esta garantía no será válida en los siguientes casos:

- Cuando el producto se hubiese utilizado en condiciones distintas a las normales;
- Cuando el producto no hubiese sido operado de acuerdo con el instructivo de uso que se acompaña;
- Cuando el producto hubiese sido alterado o reparado por personas distintas a las enlistadas al final de este certificado.

Anexo encontrará una relación de sucursales de servicio de fábrica, centros de servicio autorizados y franquiciados en la República Mexicana, donde podrá hacer efectiva su garantía y adquirir partes, refacciones y accesorios originales.

### Garantía limitada por tres años

DeWALT reparará, sin cargo, cualquier falla que surja de defectos en el material o la fabricación del producto, por hasta tres años a contar de la fecha de compra. Para mayor información sobre reparaciones bajo garantía, llame al 1-800-4-DeWALT. Esta garantía no aplica a accesorios o a daños causados por reparaciones realizadas o intentadas por terceros. Esta garantía le otorga derechos específicos, además de lo cuales puede tener otros dependiendo del estado o provincia en que se encuentre.

Además de la garantía, las herramientas DeWALT están cubiertas por:

#### 1 AÑO DE SERVICIO GRATUITO

DeWALT mantendrá la herramienta y reemplazará las piezas gastadas por su uso normal, sin cobro, en cualquier momento durante un año a contar de la fecha de compra.

#### GARANTÍA DE REEMBOLSO DE SU DINERO POR 90 DÍAS

Si no está completamente satisfecho con el desempeño de su máquina herramienta, láser o clavadora DeWALT, cualquiera sea el motivo, podrá devolverlo hasta 90 días de la fecha de compra con su recibo y obtener el reembolso completo de su dinero - sin necesidad de responder a ninguna pregunta.

**SUSTITUCIÓN GRATUITA DE LAS ETIQUETAS DE ADVERTENCIA:** Si las etiquetas de advertencia se vuelven ilegibles o se pierden, llame al 1-800-4-DeWALT para conseguir gratuitamente otras de repuesto.



**Información Técnica**  
Tensión de alimentación: 120 V AC ~  
Consumo de corriente: 15 A  
Frecuencia de alimentación: 50/60 Hz  
Potencia nominal: 1 674 W  
Rotación sin carga: 5 000/min

IMPORTADOR: DeWALT S.A. DE C.V.  
BOSQUES DE CIDROS ACCESO RADIATAS NO. 42  
COL. BOSQUES DE LAS LOMAS, 3A. SECCIÓN, CP 05120  
DELEGACIÓN CUAJIMALPA, MÉXICO, D.F.  
TEL. 5 326 7100  
R.F.C.: BDE810626-1W7

Para servicio y ventas consulte  
**"HERRAMIENTAS ELÉCTRICAS"**  
en la sección amarilla.



**PARA REPARACIÓN Y SERVICIO DE SUS HERRAMIENTAS ELÉCTRICAS,  
FAVOR DE DIRIGIRSE AL CENTRO DE SERVICIO MÁS CERCANO:**

- CULIACAN, SIN**  
Av. Nicolás Bravo #1063 Sur - Col. Industrial Bravo (667) 7 12 42 11
- GUADALAJARA, JAL**  
Av. La Paz #1779 - Col. Americana Sector Juarez (33) 3825 6978
- MEXICO, D.F.**  
Eje Central Lázaro Cardenas No. 18 - Local D, Col. Obrera (55) 5588 9377
- MERIDA, YUC**  
Calle 63 #459-A - Col. Centro (999) 928 5038
- MONTERREY, N.L.**  
Av. Francisco I. Madero No.831 - Col. Centro (81) 8375 2313
- PUEBLA, PUE**  
17 Norte #205 - Col. Centro (222) 246 3714
- QUERETARO, QRO**  
Av. Madero 139 Pte. - Col. Centro (442) 214 1660
- SAN LUIS POTOSI, SLP**  
Av. Universidad 1525 - Col. San Luis (444) 814 2383
- TORREON, COAH**  
Blvd. Independencia, 96 Pte. - Col. Centro (871) 716 5265
- VERACRUZ, VER**  
Prolongación Díaz Mirón #4280 - Col. Remes (229) 921 7016
- VILLAHERMOSA, TAB**  
Constitución 516-A - Col. Centro (993) 312 5111

**PARA OTRAS LOCALIDADES LLAME AL: (55) 5326 7100**