

*If you have questions or comments, contact us.
Pour toute question ou tout commentaire, nous contacter.
Si tiene dudas o comentarios, contáctenos.*

1-800-4-DEWALT • www.dewalt.com

**INSTRUCTION MANUAL
GUIDE D'UTILISATION
MANUAL DE INSTRUCCIONES**

INSTRUCTIVO DE OPERACIÓN, CENTROS DE SERVICIO Y PÓLIZA DE GARANTÍA. **ADVERTENCIA:** LÉASE ESTE INSTRUCTIVO ANTES DE USAR EL PRODUCTO.

DEWALT®

**DCE150
20V Max* Cordless Cable Cutter
Coupe-câble sans fil de 20 V Max*
Cortacables inalámbrico de 20 V Max***



Definitions: Safety Guidelines

The definitions below describe the level of severity for each signal word. Please read the manual and pay attention to these symbols.

⚠ DANGER: Indicates an imminently hazardous situation which, if not avoided, **will** result in **death or serious injury**.

⚠ WARNING: Indicates a potentially hazardous situation which, if not avoided, **could** result in **death or serious injury**.

⚠ CAUTION: Indicates a potentially hazardous situation which, if not avoided, **may** result in **minor or moderate injury**.

NOTICE: Indicates a practice **not related to personal injury** which, if not avoided, **may** result in **property damage**.

IF YOU HAVE ANY QUESTIONS OR COMMENTS ABOUT THIS OR ANY DEWALT TOOL, CALL US TOLL FREE AT: **1-800-4-DEWALT (1-800-433-9258)**.



WARNING: To reduce the risk of injury, read the instruction manual.

General Power Tool Safety Warnings

⚠ WARNING! Read all safety warnings and all instructions. Failure to follow the warnings and instructions may result in electric shock, fire and/or serious injury.

SAVE ALL WARNINGS AND INSTRUCTIONS FOR FUTURE REFERENCE

The term "power tool" in the warnings refers to your mains-operated (corded) power tool or battery-operated (cordless) power tool.

1) WORK AREA SAFETY

- Keep work area clean and well lit.** Cluttered or dark areas invite accidents.

- Do not operate power tools in explosive atmospheres, such as in the presence of flammable liquids, gases or dust.** Power tools create sparks which may ignite the dust or fumes.
- Keep children and bystanders away while operating a power tool.** Distractions can cause you to lose control.

2) ELECTRICAL SAFETY

- Power tool plugs must match the outlet. Never modify the plug in any way. Do not use any adapter plugs with earthed (grounded) power tools.** Unmodified plugs and matching outlets will reduce risk of electric shock.
- Avoid body contact with earthed or grounded surfaces such as pipes, radiators, ranges and refrigerators.** There is an increased risk of electric shock if your body is earthed or grounded.
- Do not expose power tools to rain or wet conditions.** Water entering a power tool will increase the risk of electric shock.
- Do not abuse the cord. Never use the cord for carrying, pulling or unplugging the power tool. Keep cord away from heat, oil, sharp edges or moving parts.** Damaged or entangled cords increase the risk of electric shock.
- When operating a power tool outdoors, use an extension cord suitable for outdoor use.** Use of a cord suitable for outdoor use reduces the risk of electric shock.
- If operating a power tool in a damp location is unavoidable, use a ground fault circuit interrupter (GFCI) protected supply.** Use of a GFCI reduces the risk of electric shock.

3) PERSONAL SAFETY

- Stay alert, watch what you are doing and use common sense when operating a power tool. Do not use a power tool while you are tired or under the influence of drugs, alcohol or medication.** A moment of inattention while operating power tools may result in serious personal injury.

- b) **Use personal protective equipment. Always wear eye protection.** Protective equipment such as dust mask, non-skid safety shoes, hard hat, or hearing protection used for appropriate conditions will reduce personal injuries.
- c) **Prevent unintentional starting. Ensure the switch is in the off position before connecting to power source and/or battery pack, picking up or carrying the tool.** Carrying power tools with your finger on the switch or energizing power tools that have the switch on invites accidents.
- d) **Remove any adjusting key or wrench before turning the power tool on.** A wrench or a key left attached to a rotating part of the power tool may result in personal injury.
- e) **Do not overreach. Keep proper footing and balance at all times.** This enables better control of the power tool in unexpected situations.
- f) **Dress properly. Do not wear loose clothing or jewelry. Keep your hair, clothing and gloves away from moving parts.** Loose clothes, jewelry or long hair can be caught in moving parts.
- g) **If devices are provided for the connection of dust extraction and collection facilities, ensure these are connected and properly used.** Use of dust collection can reduce dust-related hazards.

4) POWER TOOL USE AND CARE

- a) **Do not force the power tool. Use the correct power tool for your application.** The correct power tool will do the job better and safer at the rate for which it was designed.
- b) **Do not use the power tool if the switch does not turn it on and off.** Any power tool that cannot be controlled with the switch is dangerous and must be repaired.
- c) **Disconnect the plug from the power source and/or the battery pack from the power tool before making any adjustments, changing accessories, or storing power**

tools. Such preventive safety measures reduce the risk of starting the power tool accidentally.

- d) **Store idle power tools out of the reach of children and do not allow persons unfamiliar with the power tool or these instructions to operate the power tool.** Power tools are dangerous in the hands of untrained users.
- e) **Maintain power tools. Check for misalignment or binding of moving parts, breakage of parts and any other condition that may affect the power tool's operation. If damaged, have the power tool repaired before use.** Many accidents are caused by poorly maintained power tools.
- f) **Keep cutting tools sharp and clean.** Properly maintained cutting tools with sharp cutting edges are less likely to bind and are easier to control.
- g) **Use the power tool, accessories and tool bits etc., in accordance with these instructions taking into account the working conditions and the work to be performed.** Use of the power tool for operations different from those intended could result in a hazardous situation.

5) BATTERY TOOL USE AND CARE

- a) **Recharge only with the charger specified by the manufacturer.** A charger that is suitable for one type of battery pack may create a risk of fire when used with another battery pack.
- b) **Use power tools only with specifically designated battery packs.** Use of any other battery packs may create a risk of injury and fire.
- c) **When battery pack is not in use, keep it away from other metal objects like paper clips, coins, keys, nails, screws, or other small metal objects that can make a connection from one terminal to another.** Shorting the battery terminals together may cause burns or a fire.

- d) **Under abusive conditions, liquid may be ejected from the battery, avoid contact. If contact accidentally occurs, flush with water. If liquid contacts eyes, additionally seek medical help.** Liquid ejected from the battery may cause irritation or burns.

6) SERVICE

- a) **Have your power tool serviced by a qualified repair person using only identical replacement parts.** This will ensure that the safety of the power tool is maintained.

Cable Cutter Safety Warnings

⚠ WARNING: To reduce the risk of injury, always store and transport the cutter with the blades fully closed.

- **DO NOT CUT STEEL CABLES OR OTHER OBJECTS.** This cable cutter is only intended for cutting aluminum and copper cables.
- **Keep all body parts away from the cutters and mechanism. A moment of inattention while operating power tools may result in serious personal injury.** Do not cut short pieces of material that put fingers near blades. Blade is sharp.
- **DO NOT CUT LIVE WIRES. Do not operate tool near live wires.** This tool is not manufactured to ASTM F1505, or IEC 60900. Always de-energize lines and equipment prior to working on, or around them.
- **Secure and support the cable prior to making the cut to prevent movement during cutting.** Ensure the cut-off remnant will not create a hazard after the cut.
- **Keep a firm grip on the tool at all times.** Forces on the tool may change during and after the cut.
- **ALWAYS wear ANSI Z87.1 eye protection (CAN/CSA Z94.3).** Cutting operations may cause material pieces to fly. Flying particles can cause permanent eye damage.

- **Always wear gloves when handling cable.** The ends can be sharp and can cause serious personal injury.
- **Inspect tool and cutting dies before use.** Replace any worn or damaged parts. A damaged or improperly assembled tool can break and strike operator or nearby personnel.
- **Always wear safety shoes to protect your feet from sharp metal debris on the floor.**
- **Stay clear of end pieces that may fall after cutting off.** They may be sharp and/or heavy.
- **NEVER** re-sharpen the fixed or movable blades.
- **Air vents often cover moving parts and should be avoided.** Loose clothes, jewelry or long hair can be caught in moving parts.

⚠ WARNING: ALWAYS use safety glasses. Everyday eyeglasses are NOT safety glasses. Also use face or dust mask if cutting operation is dusty. ALWAYS WEAR CERTIFIED SAFETY EQUIPMENT:

- ANSI Z87.1 eye protection (CAN/CSA Z94.3),
- ANSI S12.6 (S3.19) hearing protection,
- NIOSH/OSHA/MSHA respiratory protection.

⚠ WARNING: Some dust created by power sanding, sawing, grinding, drilling, and other construction activities contains chemicals known to the State of California to cause cancer, birth defects or other reproductive harm. Some examples of these chemicals are:

- lead from lead-based paints,
- crystalline silica from bricks and cement and other masonry products, and
- arsenic and chromium from chemically-treated lumber.

Your risk from these exposures varies, depending on how often you do this type of work. To reduce your exposure to these chemicals: work in a well ventilated area, and work with approved safety equipment, such as those dust masks that are specially designed to filter out microscopic particles.

- **Avoid prolonged contact with dust from power sanding, sawing, grinding, drilling, and other construction activities. Wear protective clothing and wash exposed areas with soap and water.** Allowing dust to get into your mouth, eyes, or lay on the skin may promote absorption of harmful chemicals.

⚠ WARNING: Use of this tool can generate and/or disperse dust, which may cause serious and permanent respiratory or other injury. Always use NIOSH/OSHA approved respiratory protection appropriate for the dust exposure. Direct particles away from face and body.

⚠ WARNING: Always wear proper personal hearing protection that conforms to ANSI S12.6 (S3.19) during use. Under some conditions and duration of use, noise from this product may contribute to hearing loss.

⚠ CAUTION: When not in use, place tool on its side on a stable surface where it will not cause a tripping or falling hazard. Some tools with large battery packs will stand upright on the battery pack but may be easily knocked over.

- The label on your tool may include the following symbols. The symbols and their definitions are as follows:

V..... volts	A..... amperes
Hz hertz	W..... watts
min..... minutes	~ or AC..... alternating current
== or DC.. direct current	⎓ or AC/DC ... alternating or direct current
Ⓛ..... Class I Construction (grounded)	no no load speed
Ⓜ Class II Construction (double insulated)	n rated speed
.../min..... per minute	Ⓧ..... earthing terminal
BPM..... beats per minute	
IPM..... impacts per minute	
RPM..... revolutions per minute	

sfpm..... surface feet per minute	⚠..... safety alert symbol
SPM..... strokes per minute	⚠..... visible radiation

Important Safety Instructions for All Battery Packs

When ordering replacement battery packs, be sure to include the catalog number and voltage. Consult the chart at the end of this manual for compatibility of chargers and battery packs.

The battery pack is not fully charged out of the carton. Before using the battery pack and charger, read the safety instructions below and then follow charging procedures outlined.

READ ALL INSTRUCTIONS

- **Do not charge or use the battery pack in explosive atmospheres, such as in the presence of flammable liquids, gases or dust.** Inserting or removing the battery pack from the charger may ignite the dust or fumes.
 - **NEVER force the battery pack into the charger. DO NOT modify the battery pack in any way to fit into a non-compatible charger as battery pack may rupture causing serious personal injury.** Consult the chart at the end of this manual for compatibility of batteries and chargers.
 - Charge the battery packs only in designated DEWALT chargers.
 - **DO NOT** splash or immerse in water or other liquids.
 - **Do not store or use the tool and battery pack in locations where the temperature may reach or exceed 104 °F (40 °C) (such as outside sheds or metal buildings in summer).** For best life store battery packs in a cool, dry location.
- NOTE:** Do not store the battery packs in a tool with the trigger switch locked on. Never tape the trigger switch in the ON position.

▲WARNING: Fire hazard. Never attempt to open the battery pack for any reason. If the battery pack case is cracked or damaged, do not insert into the charger. Do not crush, drop or damage the battery pack. Do not use a battery pack or charger that has received a sharp blow, been dropped, run over or damaged in any way (e.g., pierced with a nail, hit with a hammer, stepped on). Damaged battery packs should be returned to the service center for recycling.

▲WARNING: Fire hazard. Do not store or carry the battery pack so that metal objects can contact exposed battery terminals. For example, do not place the battery pack in aprons, pockets, tool boxes, product kit boxes, drawers, etc., with loose nails, screws, keys, etc. **Transporting batteries can possibly cause fires if the battery terminals inadvertently come in contact with conductive materials such as keys, coins, hand tools and the like.** The US Department of Transportation Hazardous Material Regulations (HMR) actually prohibit transporting batteries in commerce or on airplanes (e.g., packed in suitcases and carry-on luggage) UNLESS they are properly protected from short circuits. So when transporting individual battery packs, make sure that the battery terminals are protected and well insulated from materials that could contact them and cause a short circuit.

SPECIFIC SAFETY INSTRUCTIONS FOR LITHIUM ION (Li-Ion)

- **Do not incinerate the battery pack even if it is severely damaged or is completely worn out.** The battery pack can explode in a fire. Toxic fumes and materials are created when lithium ion battery packs are burned.
- **If battery contents come into contact with the skin, immediately wash area with mild soap and water.** If battery liquid gets into the eye, rinse water over the open eye for 15 minutes or until irritation ceases. If medical attention is needed, the battery electrolyte is composed of a mixture of liquid organic carbonates and lithium salts.

- **Contents of opened battery cells may cause respiratory irritation.** Provide fresh air. If symptoms persist, seek medical attention.

▲WARNING: Burn hazard. Battery liquid may be flammable if exposed to spark or flame.

The RBRC® Seal

The RBRC® (Rechargeable Battery Recycling Corporation) Seal on the nickel cadmium, nickel metal hydride or lithium-ion batteries (or battery packs) indicates that the costs to recycle these batteries (or battery packs) at the end of their useful life have already been paid by DEWALT. In some areas, it is illegal to place spent nickel cadmium, nickel metal hydride or lithium-ion batteries in the trash or municipal solid waste stream and the Call 2 Recycle® program provides an environmentally conscious alternative.

Call 2 Recycle, Inc., in cooperation with DEWALT and other battery pack users, has established the program in the United States and Canada to facilitate the collection of spent nickel cadmium, nickel metal hydride or lithium-ion batteries. Help protect our environment and conserve natural resources by returning the spent nickel cadmium, nickel metal hydride or lithium-ion batteries to an authorized DEWALT service center or to your local retailer for recycling. You may also contact your local recycling center for information on where to drop off the spent battery pack. RBRC® is a registered trademark of Call 2 Recycle, Inc.



Important Safety Instructions for All Battery Chargers

SAVE THESE INSTRUCTIONS: This manual contains important safety and operating instructions for battery chargers.

- Before using the charger, read all instructions and cautionary markings on the charger, battery pack and product using the battery pack.

⚠ WARNING: Shock hazard. Do not allow any liquid to get inside the charger. Electric shock may result.

⚠ CAUTION: Burn hazard. To reduce the risk of injury, charge only DEWALT rechargeable battery packs. Other types of batteries may overheat and burst resulting in personal injury and property damage.

NOTICE: Under certain conditions, with the charger plugged into the power supply, the charger can be shorted by foreign material. Foreign materials of a conductive nature, such as, but not limited to, grinding dust, metal chips, steel wool, aluminum foil or any buildup of metallic particles should be kept away from the charger cavities. Always unplug the charger from the power supply when there is no battery pack in the cavity. Unplug the charger before attempting to clean.

- **DO NOT attempt to charge the battery pack with any chargers other than the ones in this manual.** The charger and battery pack are specifically designed to work together.
- **These chargers are not intended for any uses other than charging DEWALT rechargeable batteries.** Any other uses may result in risk of fire, electric shock or electrocution.
- **Do not expose the charger to rain or snow.**
- **Pull by the plug rather than the cord when disconnecting the charger.** This will reduce the risk of damage to the electric plug and cord.
- **Make sure that the cord is located so that it will not be stepped on, tripped over or otherwise subjected to damage or stress.**
- **Do not use an extension cord unless it is absolutely necessary.** Use of improper extension cord could result in risk of fire, electric shock or electrocution.
- **When operating a charger outdoors, always provide a dry location and use an extension cord suitable for outdoor use.** Use of a cord suitable for outdoor use reduces the risk of electric shock.

- **An extension cord must have adequate wire size (AWG or American Wire Gauge) for safety.** The smaller the gauge number of the wire, the greater the capacity of the cable, that is, 16 gauge has more capacity than 18 gauge. An undersized cord will cause a drop in line voltage resulting in loss of power and overheating. When using more than one extension to make up the total length, be sure each individual extension contains at least the minimum wire size. The following table shows the correct size to use depending on cord length and nameplate ampere rating. If in doubt, use the next heavier gauge. The lower the gauge number, the heavier the cord.

Minimum Gauge for Cord Sets						
Ampere Rating		Volts	Total Length of Cord in Feet (meters)			
		120 V	25 (7.6)	50 (15.2)	100 (30.5)	150 (45.7)
			240 V	50 (15.2)	100 (30.5)	200 (61.0)
More Than	Not More Than	AWG				
0	6	18	16	16	14	
6	10	18	16	14	12	
10	12	16	16	14	12	
12	16	14	12	Not Recommended		

- **Do not place any object on top of the charger or place the charger on a soft surface that might block the ventilation slots and result in excessive internal heat.** Place the charger in a position away from any heat source. The charger is ventilated through slots in the top and the bottom of the housing.
- **Do not operate the charger with a damaged cord or plug.**

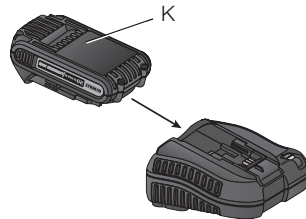
- **Do not operate the charger if it has received a sharp blow, been dropped or otherwise damaged in any way.** Take it to an authorized service center.
- **Do not disassemble the charger; take it to an authorized service center when service or repair is required.** Incorrect reassembly may result in a risk of electric shock, electrocution or fire.
- **Disconnect the charger from the outlet before attempting any cleaning. This will reduce the risk of electric shock.** Removing the battery pack will not reduce this risk.
- **NEVER** attempt to connect 2 chargers together.
- **The charger is designed to operate on standard 120 V household electrical power. Do not attempt to use it on any other voltage.** This does not apply to the vehicular charger.

Chargers

Your tool uses a DEWALT charger. Be sure to read all safety instructions before using your charger. Consult the chart at the end of this manual for compatibility of chargers and battery packs.

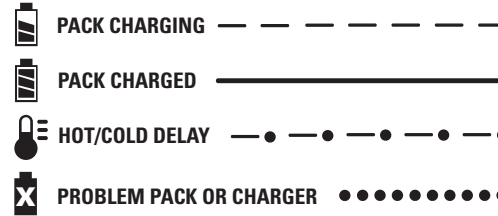
Charging Procedure (Fig. 1)

1. Plug the charger into an appropriate outlet before inserting the battery pack.
2. Insert the battery pack (K) into the charger, as shown in Figure 1, making sure the pack is fully seated in charger. The red (charging) light will blink continuously, indicating that the charging process has started.
3. The completion of charge will be indicated by the red light remaining ON continuously. The pack is fully charged and may be used at this time or left in the charger.

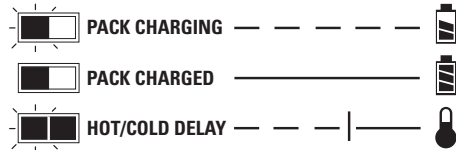


Indicator Light Operation

DCB101, DCB102, DCB103



DCB107, DCB112, DCB113, DCB115



Charge Indicators

This charger is designed to detect certain problems that can arise. Problems are indicated by the red light flashing at a fast rate. If this occurs, re-insert the battery pack into the charger. If the problem persists, try a different battery pack to determine if the charger is working properly. If the new pack charges correctly, then the original pack is defective and should be returned to a service center or other collection site for recycling. If the new battery pack elicits the same trouble indication as the original, have the charger and the battery pack tested at an authorized service center.

HOT/COLD DELAY***DCB101, DCB102, DCB103***

These chargers have a hot/cold delay feature. When the charger detects a battery pack that is too hot or too cold, it automatically starts a delay, suspending charging. The red light flashes long, then short while in the hot/cold delay mode.

Once the battery pack has reached an optimum temperature, the charger will automatically resume the charging procedure. This feature ensures maximum battery life.

DCB107, DCB112, DCB113, DCB115

These chargers have a hot/cold delay feature. When the charger detects a battery pack that is too hot or too cold, it automatically starts a delay, suspending charging. The red light will continue to blink, but a yellow indicator light will be illuminated during this suspension.

Once the battery pack has reached an optimum temperature, the yellow light will turn off and the charger will automatically resume the charging procedure. This feature ensures maximum battery life.

LEAVING THE BATTERY PACK IN THE CHARGER

The charger and battery pack can be left connected with the charge indicator showing Pack Charged.

WEAK BATTERY PACKS: Weak batteries will continue to function but should not be expected to perform as much work.

FAULTY BATTERY PACKS***DCB101, DCB102, DCB103***

These chargers will not charge a faulty battery pack. The charger will indicate faulty battery pack by refusing to light or by displaying problem pack or charger.

NOTE: This could also mean a problem with a charger.

DCB107, DCB112, DCB113, DCB115

These chargers will not charge a faulty battery pack. The charger will indicate faulty battery pack by refusing to light.

NOTE: This could also mean a problem with a charger.

Wall Mounting***DCB107, DCB112, DCB113, DCB115***

These chargers are designed to be wall mountable or to sit upright on a table or work surface.

If wall mounting, locate the charger within reach of an electrical outlet. Mount the charger securely using drywall screws at least 1" (25.4 mm) long, screwed into wood to an optimal depth leaving approximately 7/32" (5.5 mm) of the screw exposed.

Important Charging Notes

1. Longest life and best performance can be obtained if the battery pack is charged when the air temperature is between 65 °F and 75 °F (18°–24 °C). DO NOT charge the battery pack in an air temperature below +40 °F (+4.5 °C), or above +104 °F (+40 °C). This is important and will prevent serious damage to the battery pack.
2. The charger and battery pack may become warm to the touch while charging. This is a normal condition, and does not indicate a problem. To facilitate the cooling of the battery pack after use, avoid placing the charger or battery pack in a warm environment such as in a metal shed or an uninsulated trailer.
3. A cold battery pack will charge at about half the rate of a warm battery pack. The battery pack will charge at that slower rate throughout the entire charging cycle and will not return to maximum charge rate even if the battery pack warms.

4. If the battery pack does not charge properly:
 - a. Check operation of receptacle by plugging in a lamp or other appliance;
 - b. Check to see if receptacle is connected to a light switch which turns power off when you turn out the lights;
 - c. Move the charger and battery pack to a location where the surrounding air temperature is approximately 65 °F–75 °F (18°–24 °C);
 - d. If charging problems persist, take the tool, battery pack and charger to your local service center.
5. The battery pack should be recharged when it fails to produce sufficient power on jobs which were easily done previously. DO NOT CONTINUE to use under these conditions. Follow the charging procedure. You may also charge a partially used pack whenever you desire with no adverse effect on the battery pack.
6. Foreign materials of a conductive nature such as, but not limited to, grinding dust, metal chips, steel wool, aluminum foil, or any buildup of metallic particles should be kept away from charger cavities. Always unplug the charger from the power supply when there is no battery pack in the cavity. Unplug the charger before attempting to clean.
7. Do not freeze or immerse the charger in water or any other liquid.

▲ WARNING: Shock hazard. Don't allow any liquid to get inside the charger. Electric shock may result.

▲ WARNING: Burn hazard. Do not submerge the battery pack in any liquid or allow any liquid to enter the battery pack. Never attempt to open the battery pack for any reason. If the plastic housing of the battery pack breaks or cracks, return to a service center for recycling.

CHARGER CLEANING INSTRUCTIONS

▲ WARNING: Shock hazard. Disconnect the charger from the AC outlet before cleaning. Dirt and grease may be removed from the exterior of the charger using a cloth or soft non-metallic brush. Do not use water or any cleaning solutions.

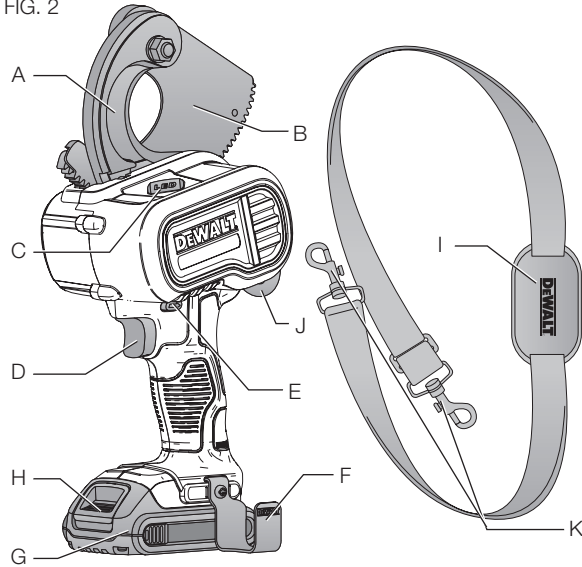
Storage Recommendations

1. The best storage place is one that is cool and dry, away from direct sunlight and excess heat or cold.
2. For long storage, it is recommended to store a fully charged battery pack in a cool dry place out of the charger for optimal results.

NOTE: Battery packs should not be stored completely depleted of charge. The battery pack will need to be recharged before use.

**SAVE THESE INSTRUCTIONS
FOR FUTURE USE**

FIG. 2



COMPONENTS (Fig. 2)

⚠ WARNING: Never modify the power tool or any part of it. Damage or personal injury could result.

- | | |
|--------------------------------|---------------------------|
| A. Fixed blade | G. Battery pack |
| B. Moving blade | H. Battery release button |
| C. LED worklight | I. Shoulder strap |
| D. Trigger switch | J. Shoulder strap ring |
| E. Directional/lock-off button | K. Shoulder strap clip |
| F. Hang hook | |

INTENDED USE

This cable cutter is designed for professional copper and aluminum cable cutting applications only.

DO NOT use for cutting steel cable or any bolts, rods, pipes or tubing, etc.

DO NOT use under wet conditions or in presence of flammable liquids or gases.

This cable cutter is a professional power tool. **DO NOT** let children come into contact with the tool. Supervision is required when inexperienced operators use this tool.

TRIGGER SWITCH (FIG. 2)

Squeezing the trigger switch (D) actuates the blade, while fully releasing the trigger switch turns it off. Since the tool is equipped with a brake, the movable blade (B) will stop as soon as the trigger switch is fully released.

DIRECTIONAL/LOCK-OFF BUTTON (FIG. 2)

The position of directional/lock-off button (B) determines the direction of the tool and whether the tool is locked-off. When changing the position of the control button, be sure the trigger is released.

When the control button is pressed to the right side of the tool the trigger switch (D) will forward/close the blades.

When the control button is pressed to the left side of the tool the trigger switch will reverse/open the blades.

The center position of the control button locks the trigger switch in the off position.

HANG HOOK (FIG. 2, 3)

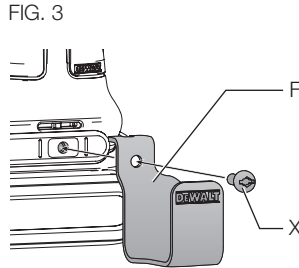
▲WARNING: To reduce the risk of serious personal injury, do not use the tool's hang hook to hang the tool from your body. DO NOT use the hang hook for tethering or securing the tool to a person or object during use. DO NOT suspend tool overhead or suspend objects from the hang hook.

▲WARNING: To reduce the risk of injury from the cable cutter falling on operators or bystanders, make sure it is supported securely when using the hang hook, or resting in a secure and stable location when not in use. Be sure to keep the area below clear to reduce the risk of the tool or off-cut material falling and striking someone or something below.

▲WARNING: To reduce the risk of serious personal injury, ensure the screw holding the hang hook is secure.

IMPORTANT: When attaching or replacing the hang hook (F), use only the screw (X) that is provided. Be sure to securely tighten screw.

The hang hook (F) can be attached to either side of the tool using only the screw (X) provided, to accommodate left- or right- handed users. Be sure to securely tighten screw.

**LED WORKLIGHT (FIG. 2)**

The worklight (C) illuminates whenever the trigger switch is depressed to provide better visibility of the workpiece. It will remain on for 20 seconds after the trigger is released.

SHOULDER STRAP (FIG. 2)

Your cable cutter comes with a shoulder strap. Hook the shoulder strap clips (K) into the shoulder strap ring (J).

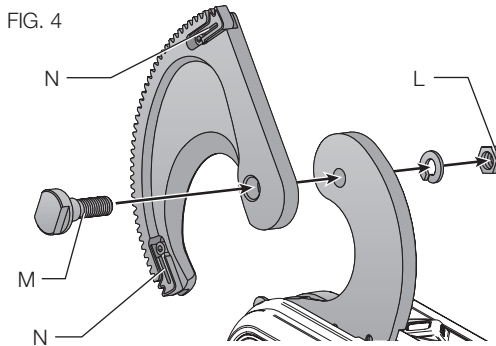
ASSEMBLY AND ADJUSTMENTS**Replacing Movable Blade (Fig. 4)**

▲WARNING: To reduce the risk of serious personal injury, turn tool off and remove the battery pack before making any adjustments or removing/installing attachments or accessories. An accidental start-up can cause injury.

▲WARNING: To reduce the risk of serious personal injury, do not use the cable cutter with any kind of accessory or attachment other than those recommended by DEWALT.

▲WARNING: Blades are sharp. Keep hands away from cutting edges. Lacerations can occur.

FIG. 4



Replace the blades when they become dull or chipped. A blade is dull when blade edge appears dull, rounded, or damaged.

1. Remove the battery pack.
2. Rotate blade so that it is clear of pinion gear.
3. Holding the lock nut (L) with wrench, loosen and remove shoulder blade screw (M).
4. Install new blade by reassembling shoulder blade screw and lock

nut. **NOTE:** Nut should be tightened to 260 lb-in.

NOTE: A gear guide (N) on either side of the moving blade should be replaced if damaged or worn.

OPERATION

⚠ WARNING: To reduce the risk of serious personal injury, turn tool off and remove the battery pack before making any adjustments or removing/installing attachments or accessories. An accidental start-up can cause injury.

⚠ WARNING: CUT OR AMPUTATION HAZARD. Never have any part of your body near the cutters or mechanism. Serious personal injury may occur.

Installing and Removing the Battery Pack (Fig. 5)

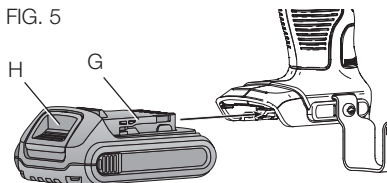
NOTE: For best results, make sure your battery pack is fully charged.

To install the battery pack (G) into the tool handle, align the battery pack with the rails inside the tool's handle and slide

it into the handle until the battery pack is firmly seated in the tool and ensure that it does not disengage.

To remove the battery pack from the tool, press the release button (H) and firmly pull the battery pack out of the tool handle. Insert it into the charger as described in the charger section of this manual.

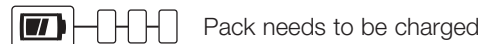
Squeeze the tool trigger for three seconds to dissipate the slight electric charge that may still be in the tool. The worklight may come on for a brief moment.



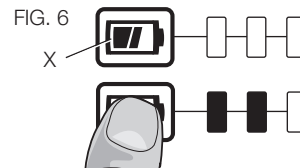
FUEL GAUGE BATTERY PACKS (FIG. 6)

Some DEWALT battery packs include a fuel gauge which consists of three green LED lights that indicate the level of charge remaining in the battery pack.

The fuel gauge is an indication of approximate levels of charge remaining in the battery pack according to the following indicators:



To actuate the fuel gauge, press and hold the fuel gauge button (X). A combination of the three green LED lights will illuminate designating the level of charge left. When the level of charge in the battery pack is below the usable limit, the fuel gauge will not illuminate and the battery pack will need to be recharged.



NOTE: The fuel gauge is only an indication of the charge left on the battery pack. It does not indicate tool functionality and is subject to variation based on product components, temperature and end-user application.

For more information regarding fuel gauge battery packs, please call 1-800-4-DEWALT (1-800-433-9258) or visit our website www.dewalt.com.

Proper Hand Position (Fig. 7)

⚠ WARNING: To reduce the risk of serious personal injury, ALWAYS use proper hand position as shown.

Cutting

⚠ WARNING: To reduce the risk of injury,

- Do not cut short pieces of material that put fingers near blades. Blade is sharp.
- ALWAYS wear ANSI Z87.1 eye protection (CAN/CSA Z94.3).
- Blade is sharp. Keep hands away from cutting edges and moving parts. Laceration and amputation can occur.

⚠ WARNING: To reduce the risk of injury, always store and transport the cutter with the blades fully closed.

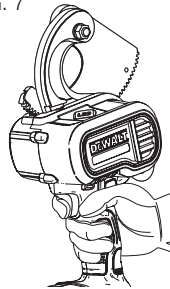
Before cutting, ensure the blade shoulder bolt and nut are securely tightened. Refer to figure 4.

1. Push the directional button (E) to the reverse position and actuate the trigger switch (D) to open the blades.
2. Insert the workpiece squarely between the fixed blade (A) and the moving blade (B) and press the directional button to the forward position.

⚠ CAUTION: Do not attempt to make angled cuts as it will damage the workpiece and blade.

3. Ensure the workpiece is straight. Place the cable to be cut against the fixed blade.
4. Pull the trigger until the workpiece is engaged by the moving blade. **NOTE:** Workpiece may move slightly during the cut.

FIG. 7



5. When the cut is complete, release the trigger.

CUT CAPACITY

Copper cable:	750MCM
Aluminum cable:	1000MCM

NOTE: When cutting overhead, always confirm workpiece is secure before cutting and be sure the excess cable that is cut does not create a hazard.

NOTICE: The cable cutter could stall during a cut either as a result of a depleted battery pack, or as a result of cutting a material too hard or too large. Should the unit stop during the cut for any reason, put the control button in reverse position (left side) and pull the trigger switch to open the cutter jaws and remove the material.

NOTICE: Do not attempt to cut in the reverse direction. Damage to the tool could result.

MAINTENANCE

⚠ WARNING: To reduce the risk of serious personal injury, turn tool off and remove the battery pack before making any adjustments or removing/installing attachments or accessories. An accidental start-up can cause injury.

Cleaning

⚠ WARNING: Blow dirt and dust out of all air vents with clean, dry air at least once a week. To minimize the risk of eye injury, always wear ANSI Z87.1 approved eye protection when performing this.

⚠ WARNING: Never use solvents or other harsh chemicals for cleaning the non-metallic parts of the tool. These chemicals may weaken the plastic materials used in these parts. Use a cloth dampened only with water and mild soap. Never let any liquid get inside the tool; never immerse any part of the tool into a liquid.

Accessories

⚠ WARNING: *Since accessories, other than those offered by DEWALT, have not been tested with this product, use of such accessories with this tool could be hazardous. To reduce the risk of injury, only DEWALT recommended accessories should be used with this product.*

Recommended accessories for use with your tool are available at extra cost from your local dealer or authorized service center. If you need assistance in locating any accessory, please contact DEWALT Industrial Tool Co., 701 East Joppa Road, Towson, MD 21286, call 1-800-4-DEWALT (1-800-433-9258) or visit our website: www.dewalt.com.

Repairs

The charger and battery pack are not serviceable.

To assure product SAFETY and RELIABILITY, repairs, maintenance and adjustment should be performed by a DEWALT factory service center, a DEWALT authorized service center or other qualified service personnel. Always use identical replacement parts.

Register Online

Thank you for your purchase. Register your product now for:

- **WARRANTY SERVICE:** Registering your product will help you obtain more efficient warranty service in case there is a problem with your product.
- **CONFIRMATION OF OWNERSHIP:** In case of an insurance loss, such as fire, flood or theft, your registration of ownership will serve as your proof of purchase.
- **FOR YOUR SAFETY:** Registering your product will allow us to contact you in the unlikely event a safety notification is required under the Federal Consumer Safety Act.

Register online at www.dewalt.com/register.

Three Year Limited Warranty

DEWALT will repair, without charge, any defects due to faulty materials or workmanship for three years from the date of purchase. This warranty does not cover part failure due to normal wear or tool abuse. For further detail of warranty coverage and warranty repair information, visit www.dewalt.com or call 1-800-4-DEWALT (1-800-433-9258). This warranty does not apply to accessories or damage caused where repairs have been made or attempted by others. This warranty gives you specific legal rights and you may have other rights which vary in certain states or provinces.

In addition to the warranty, DEWALT tools are covered by our:

1 YEAR FREE SERVICE

DEWALT will maintain the tool and replace worn parts caused by normal use, for free, any time during the first year after purchase.

2 YEARS FREE SERVICE ON DEWALT BATTERY PACKS

DC9071, DC9091, DC9096, DC9280, DC9360, DC9180, DCB120, DCB127, DCB201, DCB203, DCB203BT, DCB207

3 YEARS FREE SERVICE ON DEWALT BATTERY PACKS

DCB200, DCB204, DCB204BT, DCB205

DEWALT BATTERY PACKS

Product warranty voided if the battery pack is tampered with in any way. DEWALT is not responsible for any injury caused by tampering and may prosecute warranty fraud to the fullest extent permitted by law.

90 DAY MONEY BACK GUARANTEE

If you are not completely satisfied with the performance of your DEWALT Power Tool, Laser, or Nailer for any reason, you can return it within 90 days from the date of purchase with a receipt for a full refund – no questions asked.

LATIN AMERICA: This warranty does not apply to products sold in Latin America. For products sold in Latin America, see country specific warranty information contained in the packaging, call the local company or see website for warranty information.

FREE WARNING LABEL REPLACEMENT: If your warning labels become illegible or are missing, call 1-800-4-DEWALT (1-800-433-9258) for a free replacement.

DCE150 CABLE CUTTER

MAX CAPACITY:

⚠️ WARNING/ADVERTENCIA/AVERTISSEMENT

TO REDUCE THE RISK OF INJURY, USER MUST READ INSTRUCTION MANUAL, USE ONLY WITH DEWALT BATTERIES. ALWAYS USE PROPER EYE AND RESPIRATORY PROTECTION. / PARA EL MANEJO SEGURO LEA EL MANUAL DE INSTRUCCIONES, PARA REDUCIR EL RIESGO DE LESIONES, UTILICE LAS BATERÍAS DEWALT SOLAMENTE. SIEMPRE SE DEBERA LLEVAR LA PROTECCIÓN APROPIADA PARA LA VISTA Y PARA LAS VÍAS RESPIRATORIAS. / À TITRE PRÉVENTIF, LIRE LE GUIDE, SEUL DE MANIÈRE LES RÈGLES DE COUPEUR, UTILISER SEULEMENT AVEC DES PILES DEWALT. IL FAUT TOUJOURS PORTER DE L'ÉQUIPEMENT DE PROTECTION OCULAIRE ET RESPIRATOIRE APPROPRIÉ.

⚠️ DANGER/PELIGRO

DO NOT CUT LIVE CABLES. KEEP AWAY FROM MOVING PARTS.
NO CORTE CABLES CONECTADOS. GUARDE MANTENGASE ALEJADO DE LAS PIEZAS EN MOVIMIENTO.
NE PAS COUPER DES CÂBLES SOUS TENSION, SE PROTÉGER DES PIÈCES MOBILES.

DEWALT INDUSTRIAL TOOL CO.
TOWSON, MD 21286 USA
FOR SERVICE INFORMATION
CALL 1-800-4-DEWALT www.DEWALT.com

SER

Définitions : lignes directrices en matière de sécurité

Les définitions ci-dessous décrivent le niveau de danger pour chaque mot-indicateur employé. Lire le mode d'emploi et porter une attention particulière à ces symboles.

▲ DANGER : indique une situation dangereuse imminente qui, si elle n'est pas évitée, **entraînera la mort ou des blessures graves**.

▲ AVERTISSEMENT : indique une situation potentiellement dangereuse qui, si elle n'est pas évitée, **pourrait entraîner la mort ou des blessures graves**.

▲ ATTENTION : indique une situation potentiellement dangereuse qui, si elle n'est pas évitée, **pourrait entraîner des blessures légères ou modérées**.

AVIS : indique une pratique ne posant **aucun risque de dommages corporels** mais qui par contre, si rien n'est fait pour l'éviter, **pourrait** poser des risques de **dommages matériels**.

POUR TOUTE QUESTION OU REMARQUE AU SUJET DE CET OUTIL OU DE TOUT AUTRE OUTIL DEWALT, COMPOSEZ LE NUMÉRO SANS FRAIS : +1-800-4-DEWALT (+1 800 433-9258).



AVERTISSEMENT : afin de réduire le risque de blessures, lire le mode d'emploi de l'outil.

Avertissements de sécurité généraux pour les outils électriques

▲ AVERTISSEMENT! Lire tous les avertissements de sécurité et toutes les Directives. Le non-respect des avertissements et des directives pourrait se solder par un choc électrique, un incendie et/ou une blessure grave.

CONSERVER TOUS LES AVERTISSEMENTS ET TOUTES LES DIRECTIVES POUR UN USAGE ULTÉRIEUR

Le terme « outil électrique » cité dans les avertissements se rapporte à votre outil électrique à alimentation sur secteur (avec fil) ou à piles (sans fil).

1) SÉCURITÉ DU LIEU DE TRAVAIL

- Tenir l'aire de travail propre et bien éclairée.** Les lieux encombrés ou sombres sont propices aux accidents.
- Ne pas faire fonctionner d'outils électriques dans un milieu déflagrant, tel qu'en présence de liquides, de gaz ou de poussières inflammables.** Les outils électriques produisent des étincelles qui pourraient enflammer la poussière ou les vapeurs.
- Éloigner les enfants et les personnes à proximité pendant l'utilisation d'un outil électrique.** Une distraction pourrait en faire perdre la maîtrise à l'utilisateur.

2) SÉCURITÉ EN MATIÈRE D'ÉLECTRICITÉ

- Les fiches des outils électriques doivent correspondre à la prise. Ne jamais modifier la fiche d'aucune façon. Ne jamais utiliser de fiche d'adaptation avec un outil électrique mis à la terre.** Le risque de choc électrique sera réduit par l'utilisation de fiches non modifiées correspondant à la prise.
- Éviter tout contact physique avec des surfaces mises à la terre comme des tuyaux, des radiateurs, des cuisinières et des réfrigérateurs.** Le risque de décharge électrique est plus élevé si votre corps est mis à la terre.
- Ne pas exposer les outils électriques à la pluie ou à l'humidité.** La pénétration de l'eau dans un outil électrique augmente le risque de choc électrique.

- d) **Ne pas utiliser le cordon de façon abusive. Ne jamais utiliser le cordon pour transporter, tirer ou débrancher un outil électrique. Tenir le cordon éloigné de la chaleur, de l'huile, des bords tranchants et des pièces mobiles.** Les cordons d'alimentation endommagés ou enchevêtrés augmentent le risque de décharge électrique.
- e) **Pour l'utilisation d'un outil électrique à l'extérieur, se servir d'une rallonge convenant à cette application.** L'utilisation d'une rallonge conçue pour l'extérieur réduira les risques de décharge électrique.
- f) **S'il est impossible d'éviter l'utilisation d'un outil électrique dans un endroit humide, brancher l'outil dans une prise ou sur un circuit d'alimentation dotés d'un disjoncteur de fuite à la terre (GFCI).** L'utilisation de ce type de disjoncteur réduit les risques de choc électrique.

3) SÉCURITÉ PERSONNELLE

- a) **Être vigilant, surveiller le travail effectué et faire preuve de jugement lorsqu'un outil électrique est utilisé. Ne pas utiliser d'outil électrique en cas de fatigue ou sous l'influence de drogues, d'alcool ou de médicaments.** Un simple moment d'inattention en utilisant un outil électrique peut entraîner des blessures corporelles graves.
- b) **Utiliser des équipements de protection individuelle. Toujours porter une protection oculaire.** L'utilisation d'équipements de protection comme un masque antipoussière, des chaussures antidérapantes, un casque de sécurité ou des protecteurs auditifs lorsque la situation le requiert réduira les risques de blessures corporelles.
- c) **Empêcher les démarrages intempestifs. S'assurer que l'interrupteur se trouve à la position d'arrêt avant de relier l'outil à une source d'alimentation et/ou d'insérer un bloc-piles, de ramasser ou de transporter l'outil.** Transporter un outil électrique alors que le doigt repose sur

l'interrupteur ou brancher un outil électrique dont l'interrupteur est à la position de marche risque de provoquer un accident.

- d) **Retirer toute clé de réglage ou clé avant de mettre l'outil électrique en marche.** Une clé ou une clé de réglage attachée à une partie pivotante de l'outil électrique peut provoquer des blessures corporelles.
- e) **Ne pas trop tendre les bras. Conserver son équilibre en tout temps.** Cela permet de mieux maîtriser l'outil électrique dans les situations imprévues.
- f) **S'habiller de manière appropriée. Ne pas porter de vêtements amples ni de bijoux. Garder les cheveux, les vêtements et les gants à l'écart des pièces mobiles.** Les vêtements amples, les bijoux ou les cheveux longs risquent de rester coincés dans les pièces mobiles.
- g) **Si des composants sont fournis pour le raccordement de dispositifs de dépoussiérage et de ramassage, s'assurer que ceux-ci sont bien raccordés et utilisés.** L'utilisation d'un dispositif de dépoussiérage peut réduire les dangers engendrés par les poussières.

4) UTILISATION ET ENTRETIEN D'UN OUTIL ÉLECTRIQUE

- a) **Ne pas forcer un outil électrique. Utiliser l'outil électrique approprié à l'application.** L'outil électrique approprié effectuera un meilleur travail, de façon plus sûre et à la vitesse pour laquelle il a été conçu.
- b) **Ne pas utiliser un outil électrique dont l'interrupteur est défectueux.** Tout outil électrique dont l'interrupteur est défectueux est dangereux et doit être réparé.
- c) **Débrancher la fiche de la source d'alimentation et/ou du bloc-piles de l'outil électrique avant de faire tout réglage ou changement d'accessoire ou avant de ranger l'outil.** Ces mesures préventives réduisent les risques de démarrage accidentel de l'outil électrique.

- d) **Ranger les outils électriques hors de la portée des enfants et ne permettre à aucune personne n'étant pas familière avec un outil électrique ou son mode d'emploi d'utiliser cet outil.** Les outils électriques deviennent dangereux entre les mains d'utilisateurs inexpérimentés.
- e) **Entretien des outils électriques. Vérifier si les pièces mobiles sont mal alignées ou coincées, si des pièces sont brisées ou présentent toute autre condition susceptible de nuire au bon fonctionnement de l'outil électrique. En cas de dommage, faire réparer l'outil électrique avant toute nouvelle utilisation.** Beaucoup d'accidents sont causés par des outils électriques mal entretenus.
- f) **S'assurer que les outils de coupe sont aiguisés et propres.** Les outils de coupe bien entretenus et affûtés sont moins susceptibles de se coincer et sont plus faciles à maîtriser.
- g) **Utiliser l'outil électrique, les accessoires, les forets, etc. conformément aux présentes directives en tenant compte des conditions de travail et du travail à effectuer.** L'utilisation d'un outil électrique pour toute opération autre que celle pour laquelle il a été conçu est dangereuse.

5) UTILISATION ET ENTRETIEN DU BLOC-PILES

- a) **Ne recharger l'outil qu'au moyen du chargeur précisé par le fabricant.** L'utilisation d'un chargeur qui convient à un type de bloc-piles risque de provoquer un incendie s'il est utilisé avec un autre type de bloc-piles.
- b) **Utiliser les outils électriques uniquement avec les blocs-piles conçus à cet effet.** L'utilisation de tout autre bloc-piles risque de causer des blessures ou un incendie.
- c) **Lorsque le bloc-piles n'est pas utilisé, le tenir éloigné des objets métalliques, notamment des trombones, de la monnaie, des clés, des clous, des vis ou autres petits objets métalliques qui peuvent établir une connexion**

entre les deux bornes. Le court-circuit des bornes du bloc-piles risque de provoquer des brûlures ou un incendie.

- d) **En cas d'utilisation abusive, le liquide peut gicler hors du bloc-piles; éviter tout contact avec ce liquide. Si un contact accidentel se produit, laver à grande eau. Si le liquide entre en contact avec les yeux, obtenir également des soins médicaux.** Le liquide qui giclé hors du bloc-piles peut provoquer des irritations ou des brûlures.

6) RÉPARATION

- a) **Faire réparer l'outil électrique par un réparateur professionnel en n'utilisant que des pièces de rechange identiques.** Cela permettra de maintenir une utilisation sécuritaire de l'outil électrique.

Consignes de sécurité propres aux coupe-câbles

⚠️ AVERTISSEMENT : pour réduire tout risque de dommages corporels, entreposer et transporter le coupe-câble alors que ses lames sont complètement refermées.

- **NE PAS DÉCOUPER DES CÂBLES OU AUTRES OBJETS EN ACIER.** Ce coupe-câble a été conçu pour couper uniquement les câbles en aluminium ou en cuivre.
- **Protéger l'ensemble du corps de l'organe de coupe et du mécanisme. Tout moment d'inattention pendant l'utilisation d'un outil électrique pose des risques de blessures graves.** Ne pas couper de morceaux de matériau courts pouvant exposer les doigts à l'organe de coupe. L'organe de coupe est acéré.
- **NE PAS COUPER DE CÂBLES SOUS TENSION. Ne pas utiliser l'outil à proximité de fils sous tension.** Cet outil n'a pas été fabriqué conformément aux normes ASTM F1505 ou IEC 60900. Déconnecter systématiquement lignes et équipements du secteur avant de travailler dessus ou autour.

- **Arrimer et soutenir le câble avant d'effectuer une coupe pour prévenir tout mouvement pendant la coupe.** S'assurer que le rebut de coupe ne posera aucun risque après la coupe.
- **Maintenir systématiquement l'outil fermement.** Les forces appliquées sur l'outil peuvent changer pendant ou après la coupe.
- **Porter SYSTÉMATIQUEMENT une protection oculaire ANSI Z87.1 (CAN/CSA Z94.3).** La coupe peut faire que des débris de matériau s'envolent. Des particules volantes pourraient occasionner des dommages oculaires permanents.
- **Porter systématiquement des gants pour manipuler le câble.** Les extrémités peuvent être acérées et poser des risques de dommages corporels graves.
- Vérifier outil et emporte-pièces avant toute utilisation. Changer toute pièce endommagée ou usée. Un outil endommagé ou incorrectement assemblé peut se briser et heurter l'utilisateur ou tout individu à proximité.
- Porter systématiquement des souliers de sécurité pour protéger les pieds de tout débris métallique acéré tombé sur le sol.
- Se protéger de la chute de tout rebut pendant la coupe. Ils pourraient être acérés et/ou lourds.
- **NE JAMAIS** réaffûter l'organe de coupe, fixe ou mobile.
- **Prendre des précautions à proximité des événements, car ils cachent des pièces mobiles.** Vêtements amples, bijoux ou cheveux longs risquent de rester coincés dans ces pièces mobiles.

⚠️ AVERTISSEMENT : porter **SYSTEMATIQUEMENT** des lunettes de protection. Les lunettes courantes NE sont PAS des lunettes de protection. Utiliser aussi un masque antipoussières si la découpe doit en produire beaucoup, **PORTER SYSTÉMATIQUEMENT UN ÉQUIPEMENT DE SÉCURITÉ HOMOLOGUÉ.**

- Protection oculaire ANSI Z87.1 (CAN/CSA Z94.3),
- Protection auditive ANSI S12.6 (S3.19),
- Protection des voies respiratoires NIOSH/OSHA/MSHA.

⚠️ AVERTISSEMENT : les scies, meules, ponceuses, perceuses ou autres outils de construction peuvent produire des poussières contenant des produits chimiques reconnus par l'État californien pour causer cancers, malformations congénitales ou être nocifs au système reproducteur. Voici quelques exemples de ces produits chimiques :

- Le plomb dans les peintures à base de plomb,
- La silice cristallisée dans les briques et le ciment, ou autres produits de maçonnerie, et
- L'arsenic et le chrome dans le bois ayant subi un traitement chimique.

Le risque associé à de telles expositions varie selon la fréquence à laquelle on effectue ces travaux. Pour réduire toute exposition à ces produits : travailler dans un endroit bien aéré, en utilisant du matériel de sécurité homologué, tel un masque antipoussières spécialement conçu pour filtrer les particules microscopiques.

- **limiter toute exposition prolongée avec les poussières provenant du ponçage, sciage, meulage, perçage ou toute autre activité de construction. Porter des vêtements de protection et nettoyer à l'eau savonneuse les parties du corps exposées.** Le fait de laisser la poussière pénétrer dans la bouche, les yeux ou la peau peut favoriser l'absorption de produits chimiques dangereux.

⚠️ AVERTISSEMENT : cet outil peut produire et/ou répandre de la poussière susceptible de causer des dommages sérieux et permanents au système respiratoire. Utiliser systématiquement un appareil de protection des voies respiratoires homologué par le NIOSH ou l'OSHA. Diriger les particules dans le sens opposé au visage et au corps.

⚠️ AVERTISSEMENT : pendant l'utilisation, porter systématiquement une protection auditive individuelle adéquate homologuée ANSI S12.6 (S3.19). Sous certaines conditions et suivant la durée d'utilisation, le bruit émanant de ce produit pourrait contribuer à une perte de l'acuité auditive.

⚠ ATTENTION : après utilisation, ranger l'outil sur son côté, sur une surface stable, là où il ne pourra ni faire trébucher ni faire chuter quelqu'un. Certains outils équipés d'un large bloc-piles peuvent tenir à la verticale sur celui-ci, mais manquent alors de stabilité.

- L'étiquette apposée sur votre outil peut inclure les symboles suivants. Les symboles et leur définition sont indiqués ci-après :

V.....volts	A..... ampères
Hz.....hertz	W..... watts
minminutes	~ ou AC..... courant alternatif
— ou DC....courant continu	⌚ ou AC/DC... courant alternatif ou continu
Ⓛ.....classe I fabrication (mis à la terre)	n _o vitesse à vide
Ⓜ.....fabrication classe II (double isolation)	n..... vitesse nominale
.../minpar minute	⊕..... borne de terre
IPM.....impacts par minute	⚠..... symbole d'avertissement
BPM.....battements par minute	r/min tours par minute
sfp _mpieds linéaires par minute (plpm)	⚠..... rayonnement visible

Consignes importantes de sécurité propres à tous les blocs-piles

Pour commander un bloc-piles de rechange, s'assurer d'inclure son numéro de catalogue et sa tension. Consulter le tableau en dernière page de ce manuel pour connaître les compatibilités entre chargeurs et blocs-piles.

Le bloc-piles n'est pas totalement chargé d'usine. Avant d'utiliser le bloc-piles et le chargeur, lire les consignes de sécurité ci-dessous.

LIRE TOUTES LES CONSIGNES

- **Ne pas recharger ou utiliser un bloc-piles en milieu déflagrant, en présence, par exemple, de poussières, gaz ou liquides inflammables.** Le fait d'insérer ou retirer un bloc-piles de son chargeur pourrait causer l'inflammation de poussières ou d'émanations.
- **NE JAMAIS forcer l'insertion d'un bloc-piles dans un chargeur. NE MODIFIER UN BLOC-PILES D'AUCUNE façon pour le faire rentrer dans un chargeur incompatible, car il pourrait se briser et causer des dommages corporels graves.** Consulter le tableau en dernière page de ce manuel pour connaître les compatibilités entre blocs-piles et chargeurs.
- Recharger les blocs-piles exclusivement dans des chargeurs DEWALT.
- **NE PAS** éclabousser le bloc-piles ou l'immerger dans l'eau ou dans tout autre liquide.
- **Ne pas entreposer ou utiliser l'appareil et le bloc-piles en présence de températures ambiantes pouvant excéder 40 °C (104 °F) (comme dans des hangars ou des bâtiments métalliques l'été).** Pour préserver leur durée de vie, entreposer les blocs-piles dans un endroit frais et sec.
REMARQUE : ne pas mettre un bloc-piles dans un outil dont la gâchette est verrouillée en position de marche. Ne jamais bloquer l'interrupteur en position de MARCHÉ.

⚠ AVERTISSEMENT : risques d'incendie. Ne jamais tenter d'ouvrir le bloc-piles pour quelque raison que ce soit. Si le boîtier du bloc-piles est fissuré ou endommagé, ne pas l'insérer dans un chargeur. Ne pas écraser, laisser tomber, ou endommager les blocs-piles. Ne pas utiliser un bloc-piles ou un chargeur qui a reçu un choc violent, ou si l'appareil est tombé, a été écrasé ou endommagé de quelque façon

que ce soit (p. ex. percé par un clou, frappé d'un coup de marteau, piétiné). Les blocs-piles endommagés doivent être renvoyés à un centre de réparation pour y être recyclés.

⚠️ AVERTISSEMENT : risques d'incendie. Au moment de ranger ou transporter le bloc-piles, s'assurer qu'aucun objet métallique n'entre en contact avec les bornes à découvert du bloc-piles. Par exemple, éviter de placer un bloc-piles dans un tablier, une poche, une boîte à outils ou un tiroir, etc. contenant des objets tels que des clous, des vis, des clés, etc. **Le fait de transporter des blocs-piles comporte des risques d'incendie, car les bornes des piles pourraient entrer, par inadvertance, en contact avec des objets conducteurs, tels que : clés, pièces de monnaie, outils ou autres.** La réglementation sur les produits dangereux (Hazardous Material Regulations) du département américain des transports interdit, en fait, le transport des piles pour le commerce ou dans les avions (ex. : dans les bagages enregistrés ou à main) À MOINS qu'elles ne soient correctement protégées contre tout court-circuit. Aussi, lors du transport individuel de blocs-piles, s'assurer que leurs bornes sont bien protégées et isolées de tout matériau pouvant entrer en contact avec elles et provoquer un court-circuit.

CONSIGNES DE SÉCURITÉ PROPRES AUX PILES AU LITHIUM-ION (Li-Ion)

- **Ne pas incinérer le bloc-piles même s'il est sévèrement endommagé ou complètement usagé,** car il pourrait exploser et causer un incendie. Pendant l'incinération des blocs-piles au lithium-ion, des vapeurs et matières toxiques sont dégagées.
- **En cas de contact du liquide de la pile avec la peau, rincer immédiatement au savon doux et à l'eau.** En cas de contact oculaire, rincer l'œil ouvert à l'eau claire une quinzaine de minutes ou jusqu'à ce que l'irritation cesse. Si des soins médicaux s'avéraient nécessaires, noter que l'électrolyte de la pile est composé d'un mélange de carbonates organiques liquides et de sels de lithium.

- **Le contenu des cellules d'une pile ouverte peut causer une irritation respiratoire.** En cas d'inhalation, exposer l'individu à l'air libre. Si les symptômes persistent, obconsulter un médecin.

⚠️ AVERTISSEMENT : risques de brûlure. Le liquide de la pile peut s'enflammer s'il est exposé à des étincelles ou à une flamme.

Le sceau SRPRC®

Le sceau SRPRC® (Société de recyclage des piles rechargeables du Canada) apposé sur une pile au nickel-cadmium, à hydrure métallique de nickel ou au lithium-ion (ou un bloc-piles) indique que les coûts de recyclage de ces derniers en fin d'utilisation ont déjà été réglés par DEWALT. Dans certaines régions, la mise au rebut ou aux ordures municipales des piles au nickel-cadmium, à l'hydrure métallique de nickel ou au lithium-ion, est illégale ; le programme de l'Appel à Recycler® constitue donc une solution pratique et écologique. Appel à Recycler Canada, Inc., en collaboration avec DEWALT et d'autres utilisateurs de piles, a mis sur pied de programme aux États-Unis et au Canada pour faciliter la collecte des piles au nickel-cadmium, à l'hydrure métallique de nickel ou au lithium-ion usagées. Aidez-nous à protéger l'environnement et à conserver nos ressources naturelles en renvoyant les piles au nickel-cadmium, à l'hydrure métallique de nickel ou au lithium-ion usagées à un centre de réparation autorisé DEWALT ou chez votre détaillant afin qu'elles y soient recyclées. On peut en outre se renseigner auprès d'un centre de recyclage local pour connaître d'autres sites les acceptant. SRPRC® est une marque déposée de l'Appel à Recycler Canada, Inc.



Directives de sécurité importantes propres à tous les chargeurs de piles

CONSERVER CES INSTRUCTIONS : ce manuel contient des directives de sécurité et d'utilisation importantes propres aux chargeurs de piles.

- Avant d'utiliser le chargeur, lire toute consigne et tout avertissement apposés sur le chargeur, le bloc-piles et le produit utilisant le bloc-piles.

⚠️AVERTISSEMENT : risques de chocs électriques. Ne laisser aucun liquide pénétrer dans le chargeur, des chocs électriques pourraient en résulter.

⚠️ATTENTION : risques de brûlure. Pour réduire tout risque de dommages corporels, ne recharger que des blocs-piles rechargeables DEWALT. Tout autre type de pile pourrait exploser et causer des dommages corporels et matériels.

AVIS : sous certaines conditions, lorsque le chargeur est connecté au bloc d'alimentation, des matériaux étrangers pourraient court-circuiter le chargeur. Les corps étrangers conducteurs tels que (mais pas limité à) poussières de rectification, débris métalliques, laine d'acier, feuilles d'aluminium, ou toute accumulation de particules métalliques doivent être maintenus à distance des orifices du chargeur. Débrancher systématiquement le chargeur lorsque le bloc-piles n'y est pas inséré. Débrancher systématiquement le chargeur avant tout entretien.

- **NE PAS tenter de charger un bloc-piles avec des chargeurs autres que ceux décrits dans ce manuel.** Le chargeur et son bloc-piles ont été conçus tout spécialement pour fonctionner ensemble.
- **Ces chargeurs n'ont pas été conçus pour une utilisation autre que recharger les blocs-piles rechargeables DEWALT.** Toute autre utilisation comporte des risques d'incendie, de chocs électriques ou d'électrocution
- **Protéger le chargeur de la pluie ou de la neige.**
- **Tirer sur la fiche plutôt que sur le cordon pour débrancher le chargeur.** Cela permet de réduire les risques d'endommager la fiche ou le cordon d'alimentation.
- **S'assurer que le cordon est protégé de manière à ce que personne ne marche ni ne trébuche dessus, ou à ce qu'il ne soit ni endommagé ni soumis à aucune tension.**

- **N'utiliser une rallonge qu'en cas de nécessité absolue.** L'utilisation d'une rallonge inadéquate comporte des risques d'incendie, de chocs électriques ou d'électrocution.
- **Pour utiliser un chargeur à l'extérieur, le placer dans un endroit sec et utiliser une rallonge conçue pour l'extérieur.** L'utilisation d'une rallonge conçue pour l'extérieur réduira les risques de décharge électrique.
- **Pour la sécurité de l'utilisateur, utiliser une rallonge de calibre adéquat (AWG, American Wire Gauge [calibrage américain normalisé des fils électriques]).** Plus le calibre est petit, et plus sa capacité est grande. Un calibre 16, par exemple, a une capacité supérieure à un calibre 18. Une rallonge de calibre inférieur causera une chute de tension qui entraînera perte de puissance et surchauffe. Si plus d'une rallonge est utilisée pour obtenir une certaine longueur, s'assurer que chaque rallonge présente au moins le calibre de fil minimum. Le tableau ci-dessous illustre les calibres à utiliser selon la longueur de rallonge et l'intensité nominale indiquée sur la plaque signalétique. En cas de doute, utiliser le calibre suivant. Plus le calibre est petit, plus la rallonge peut supporter de courant.

Calibres minimaux des rallonges						
Intensité (en ampères)		volts	Longueur totale de cordon en mètres (pieds)			
			120 V	7,6 (25)	15,2 (50)	30,5 (100)
		240 V	15,2 (50)	30,5 (100)	61,0 (200)	91,4 (300)
Supérieur à	Inférieur à	AWG				
0	6	18	16	16	14	
6	10	18	16	14	12	
10	12	16	16	14	12	
12	16	14	12	Non recommandé		

- **Ne poser aucun objet sur le chargeur. Ne pas mettre le chargeur sur une surface molle qui pourrait en bloquer la ventilation et provoquer une surchauffe interne.** Éloigner le chargeur de toute source de chaleur. Le chargeur dispose d'orifices d'aération sur le dessus et le dessous du boîtier.
- **Ne pas le faire fonctionner avec un cordon d'alimentation ou une fiche endommagée.**
- **Ne pas utiliser le chargeur s'il a reçu un coup, fait une chute ou a été endommagé de quelque façon que ce soit.** Le ramener dans un centre de réparation agréé.
- **Ne pas démonter le chargeur. Pour tout service ou réparation, le rapporter dans un centre de réparation agréé.** Le fait de le réassembler de façon incorrecte comporte des risques de chocs électriques, d'électrocution et d'incendie.
- **Débrancher le chargeur du secteur avant tout entretien. Cela réduira tout risque de chocs électriques.** Le fait de retirer le bloc-piles ne réduira pas ces risques.
- **NE JAMAIS tenter de connecter 2 chargeurs ensemble.**
- **Le chargeur a été conçu pour être alimenté en courant électrique domestique standard de 120 volts. Ne pas tenter de l'utiliser avec toute autre tension.** Cela ne s'applique pas aux chargeurs de postes mobiles.

Chargeurs

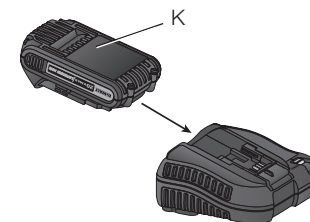
L'outil utilise un chargeur DEWALT. S'assurer de bien lire toutes les directives de sécurité avant d'utiliser le chargeur. Consulter le tableau figurant à la fin du présent mode d'emploi pour connaître la compatibilité des chargeurs et des blocs-piles.

Procédure de charge (Fig. 1)

1. Branchez le chargeur dans la prise appropriée avant d'y insérer le bloc-piles.





2. Insérez le bloc-piles (K) dans le chargeur, comme illustré en Figure 1, en vous assurant qu'il y est correctement calé. Le voyant rouge (charge) clignotera de façon continue indiquant que le cycle de chargement a commencé.
3. En fin de charge, le voyant rouge restera ALLUMÉ de façon continue. Le bloc-piles est alors complètement chargé et peut être utilisé ou laissé dans le chargeur.

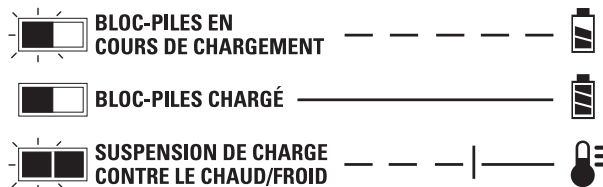
FIG. 1



Fonctionnement du voyant

DCB101, DCB102, DCB103

	BLOC-PILES EN COURS DE CHARGEMENT	— — — — —
	BLOC-PILES CHARGÉ	—————
	SUSPENSION DE CHARGE CONTRE LE CHAUD/FROID	• — • — • — • — •
	BLOC-PILES OU CHARGEUR DÉFECTUEUX	••••••••••••••••••

DCB107, DCB112, DCB113, DCB115**Voyants de charge**

Ce chargeur a été conçu pour détecter les problèmes pouvant survenir. Un voyant rouge clignotant rapidement indique qu'il y a un problème. Dans cette éventualité, réinsérez le bloc-piles dans le chargeur. Si le problème persiste, essayez un autre bloc-piles pour déterminer si le chargeur fonctionne. Si le nouveau bloc-piles se recharge correctement, le bloc-piles initial est endommagé et doit être retourné dans un centre de réparation ou tout autre site de récupération pour y être recyclé. Si l'on obtient le même résultat avec le nouveau bloc-piles, faites vérifier le chargeur et le bloc-piles chez un centre de réparation agréé.

SUSPENSION DE CHARGE CONTRE LE CHAUD/FROID**DCB101, DCB102, DCB103**

Certains chargeurs sont équipés d'une fonction de suspension de charge contre le chaud/froid. Lorsque le chargeur détecte un bloc-piles trop chaud ou trop froid, il démarre automatiquement la fonction de suspension de charge, en suspendant le chargement. Le voyant rouge clignote longuement, puis rapidement en mode de suspension de charge contre le chaud/froid.

Lorsque le blocs-piles aura repris une température optimale, le chargeur reprendra automatiquement la procédure de chargement. Cette caractéristique assure aux blocs-piles une durée de vie maximale.

DCB107, DCB112, DCB113, DCB115

Certains chargeurs sont équipés d'une fonction de suspension de charge contre le chaud/froid. Lorsque le chargeur détecte un bloc-piles trop chaud ou trop froid, il démarre automatiquement la fonction de suspension de charge, en suspendant le chargement. Le voyant rouge ne cessera de clignoter, mais un voyant jaune restera allumé pendant la suspension.

Lorsque le bloc-piles aura repris une température optimale, le voyant jaune s'éteindra et le chargeur reprendra automatiquement sa procédure de charge. Cette caractéristique assure aux blocs-piles une durée de vie maximale.

LAISSER LE BLOC-PILES DANS LE CHARGEUR

Le chargeur et son bloc-piles peuvent rester connectés, le voyant du chargeur affichant alors Bloc-piles chargé.

BLOCS-PILES FAIBLES : les blocs-piles faibles continueront de fonctionner, mais il faudra s'attendre à un rendement moindre.

BLOCS-PILES DÉFECTUEUX**DCB101, DCB102, DCB103**

Ces chargeurs ne chargent pas les blocs-piles défectueux. Le chargeur indiquera qu'un bloc-piles est défectueux en refusant de s'allumer ou en affichant bloc-piles ou chargeur défectueux.

REMARQUE : cela pourra aussi indiquer un problème avec le chargeur.

DCB107, DCB112, DCB113, DCB115

Ces chargeurs ne chargent pas les blocs-piles défectueux. Le chargeur indiquera qu'un bloc-piles est défectueux en refusant de s'allumer.

REMARQUE : cela pourra aussi indiquer un problème avec le chargeur.

Installation murale

DCB107, DCB112, DCB113, DCB115

Ces chargeurs ont été conçus pour une installation murale ou pour être posés sur une table ou une surface de travail.

Pour une fixation murale, installez le chargeur à proximité d'une prise électrique. Fixez soigneusement le chargeur au mur à l'aide de vis à placoplâtre d'au moins 25,4 mm (1 po) de long. Vissez-les dans le bois en laissant une longueur d'environ 5,5 mm (7/32 po) exposée.

Remarques importantes concernant le chargement

1. Pour augmenter la durée de vie du bloc-piles et optimiser son rendement, le recharger à une température ambiante de 18 ° à 24 °C (65 °F à 75 °F). NE PAS recharger le bloc-piles à une température inférieure à + 4,5 °C (+ 40 °F) ou supérieure à + 40 °C (+ 104 °F). C'est important pour prévenir tout dommage sérieux au bloc-piles.
2. Le chargeur et son bloc-piles peuvent devenir chauds au toucher pendant la charge. C'est normal et ne représente en aucun cas une défaillance du produit. Pour faciliter le refroidissement du bloc-piles après utilisation, éviter de laisser le chargeur ou le bloc-piles dans un local où la température ambiante est élevée comme dans un hangar métallique ou une remorque non isolée.
3. Un bloc-piles froid se rechargera deux fois moins vite qu'un bloc-piles chaud. Le bloc-piles se rechargera à un rythme plus lent tout au cours du cycle de charge et ne retournera pas à sa capacité maximale de charge même s'il venait à se réchauffer.
4. Si le bloc-piles ne se recharge pas correctement :
 - a. Vérifier le bon fonctionnement de la prise en y branchant une lampe ou tout autre appareil électrique.

- b. Vérifier que la prise n'est pas contrôlée par un interrupteur qui coupe le courant lorsqu'on éteint les lumières.
 - c. Déplacer le chargeur et le bloc-piles dans un local où la température ambiante se trouve entre environ 18 ° et 24 °C (65 °F et 75 °F).
 - d. Si le problème persiste, amener l'outil, le bloc-piles et son chargeur dans un centre de réparation local.
5. Recharger le bloc-piles lorsqu'il ne produit plus assez de puissance pour effectuer un travail qu'il faisait facilement auparavant. NE PAS CONTINUER à l'utiliser dans ces conditions. Suivre la procédure de charge. Si nécessaire, il est aussi possible de recharger un bloc-piles partiellement déchargé sans effet nuisible sur le bloc-piles.
 6. Les corps étrangers conducteurs tels que (mais pas limité à) poussières de rectification, débris métalliques, laine d'acier, feuilles d'aluminium, ou toute accumulation de particules métalliques doivent être maintenus à distance des orifices du chargeur. Débrancher systématiquement le chargeur lorsque le bloc-piles n'y est pas inséré. Débrancher systématiquement le chargeur avant tout entretien.
 7. Ne pas congeler ou immerger le chargeur dans l'eau ou tout autre liquide.

⚠️ AVERTISSEMENT : *risques de chocs électriques. Ne laisser aucun liquide pénétrer dans le chargeur, des chocs électriques pourraient en résulter.*

⚠️ AVERTISSEMENT : *risqu esde brûlure. Ne submerger le bloc-piles dans aucun liquide et le protéger de toute infiltration de liquide. Ne jamais tenter d'ouvrir le bloc-piles pour quelque raison que ce soit. Si le boîtier plastique du bloc-piles est brisé ou fissuré, le retourner dans un centre de réparation pour y être recyclé.*

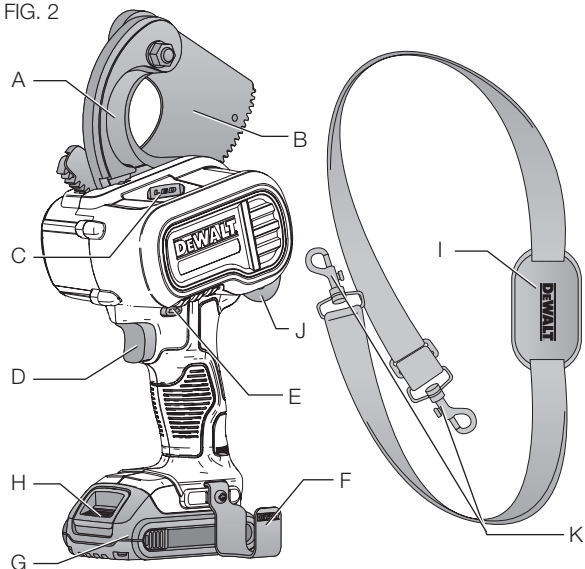
Recommandations de stockage

1. Le lieu idéal de rangement est un lieu frais et sec, à l'abri de toute lumière solaire directe et de toute température excessive.
2. Pour un stockage prolongé, il est recommandé d'entreposer le bloc-piles pleinement chargé dans un lieu frais et sec, hors du chargeur pour optimiser les résultats.

REMARQUE : les blocs-piles ne devraient pas être entreposés complètement déchargés. Il sera nécessaire de recharger le bloc-piles avant réutilisation.

CONSERVER CES CONSIGNES POUR UTILISATION ULTÉRIEURE

FIG. 2



COMPOSANTS (Fig. 2)

⚠️ AVERTISSEMENT : ne jamais modifier l'outil électrique ni aucun de ses composants, car il y a risques de dommages corporels ou matériels.

- A. Lame fixe
- B. Lame mobile
- C. Lampe DEL
- D. Gâchette
- E. Bouton directionnel/verrou
- F. Crochet de suspension
- G. Bloc-piles
- H. Bouton de libération du bloc-piles
- I. Bandoulière
- J. Anneau de suspension de la bandoulière (Fig. 2)
- K. Dispositif de fixation de la bandoulière

USAGE PRÉVU

Ce coupe-câble a été conçu pour la découpe professionnelle de câbles en cuivre ou en aluminium seulement.

NE PAS l'utiliser pour la découpe de câbles en acier ou de boulons, barres, tuyaux, tubulure, etc.

NE PAS l'utiliser en milieu ambiant humide ou en présence de liquides ou de gaz inflammables.

Ce coupe-câble est un outil électrique de professionnels. **NE PAS le laisser à la portée des enfants.** Une supervision est nécessaire auprès de tout utilisateur non expérimenté.

GÂCHETTE (Fig. 2)

Appuyer sur la gâchette (D) active l'organe de coupe, alors que relâcher complètement la gâchette, l'arrête. Comme votre outil est équipé d'un frein, la lame mobile (B) s'arrêtera dès que la gâchette sera complètement relâchée.

BOUTON DIRECTIONNEL/VERROU (Fig. 2)

La position du bouton directionnel/verrou (B) détermine la direction de l'outil et son verrouillage. Avant de changer la position du bouton de commande, assurez-vous que la gâchette est bien relâchée.

Lorsque le bouton de commande est poussé vers la droite de l'outil, la gâchette (D) avancera/fermera les lames.

Lorsque le bouton de commande est poussé vers la gauche de l'outil, la gâchette inversera/ouvrira les lames.

La position centrale du bouton de commande verrouille la gâchette en position d'arrêt.

CROCHET DE SUSPENSION (Fig. 2, 3)

⚠AVERTISSEMENT : pour réduire tout risque de dommages corporels graves, ne pas utiliser le crochet de suspension pour accrocher l'outil à votre corps. ne pas utiliser le crochet de suspension pour arrimer ou fixer l'outil à une personne ou à un objet lors de son utilisation. NE PAS suspendre l'outil au-dessus de la tête, ou suspendre des objets au crochet de suspension.

⚠AVERTISSEMENT : pour réduire tout risque de dommages corporels à l'utilisateur ou à toute autre personne à proximité en cas de chute du coupe-câble, s'assurer qu'il est soigneusement arrimé en cas d'utilisation du crochet de suspension, ou qu'il repose dans un endroit sécuritaire et stable après utilisation. s'assurer que l'espace sous l'outil est vacant pour réduire tout risque que l'outil ou tout matériau coupé ne tombe et heurte quelqu'un ou quelque chose.

⚠AVERTISSEMENT : POUR RÉDUIRE TOUT RISQUE DE DOMMAGES CORPORELS GRAVES, s'assurer que la vis maintenant le crochet de suspension est bien resserrée.

IMPORTANT : pour rattacher ou remplacer le crochet de suspension (F), utiliser exclusivement la vis (X) fournie à cet effet. Assurez-vous de resserrer fermement la vis.

Le crochet de suspension (F) peut être rattaché sur l'un ou l'autre côté de l'outil à l'aide de la vis (X) fournie à cet effet, pour accommoder un droitier ou un gaucher. Assurez-vous de resserrer fermement la vis.

LAMPE DEL (Fig. 2)

La lampe de travail (C) s'allume dès que l'on appuie sur la gâchette pour offrir une meilleure visibilité de la pièce à travailler. Elle restera allumée 20 secondes après le relâchement de la gâchette.

BANDOULIÈRE (Fig. 2)

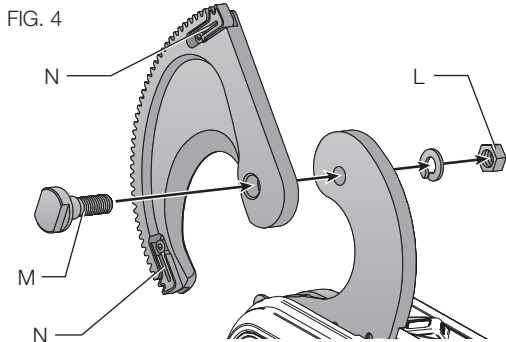
Votre coupe-câble est équipé d'une bandoulière. Accrochez les dispositifs de fixation de bandoulière (K) à l'anneau de suspension de la bandoulière (J).

ASSEMBLAGE ET RÉGLAGES**Remplacement de la lame mobile (Fig. 4)**

⚠AVERTISSEMENT : pour réduire tout risque de dommages corporels graves, arrêter l'outil et retirer le bloc-piles avant tout réglage ou avant de retirer ou installer toute pièce ou tout accessoire. Tout démarrage accidentel comporte des risques de dommages corporels.

⚠AVERTISSEMENT : pour réduire tout risque de dommages corporels graves, ne pas utiliser le coupe-câble avec des accessoires ou pièces autres que ceux recommandés par DEWALT.

⚠️ AVERTISSEMENT : les lames sont acérées. Garder les mains éloignées des zones de coupe. Risques de lacérations.



Remplacez les lames lorsqu'elles sont émoussées ou ébréchées. Une lame est émoussée lorsque son bord semble émoussé, arrondi ou endommagé.

1. Retirez le bloc-piles.
2. Tournez la lame pour la dégager de l'engrenage à pignons.
3. Bloquez l'écrou de blocage (L) à l'aide d'une clé et retirez la vis de lame à épaulement (M).
4. Installez une nouvelle lame et réassemblez la vis de lame à épaulement et l'écrou de blocage. **REMARQUE :** l'écrou doit être resserré à 260 lb-po.

REMARQUE : le dispositif de guidage (N) de chaque côté de la lame mobile doit être remplacé s'il est endommagé ou usé.

FONCTIONNEMENT

⚠️ AVERTISSEMENT : pour réduire tout risque de dommages corporels graves, arrêter l'outil et retirer le bloc-piles avant tout réglage ou avant de retirer ou installer toute pièce ou tout accessoire. Tout démarrage accidentel comporte des risques de dommages corporels.

⚠️ AVERTISSEMENT : RISQUES DE COUPURES OU D'AMPUTATION. Ne jamais approcher le corps des organes de coupe ou du mécanisme, car il y a risques de dommages corporels graves.

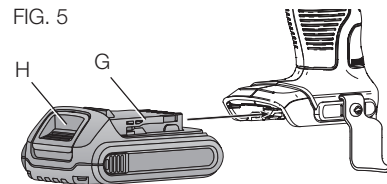
FONCTIONNEMENT

⚠️ AVERTISSEMENT : pour réduire le risque de blessures graves, éteindre l'outil et retirer le bloc-piles avant d'effectuer tout réglage et d'enlever ou d'installer tout accessoire. Un démarrage accidentel pourrait provoquer des blessures.

Installation et retrait du bloc-piles (Fig. 5)

REMARQUE : pour des résultats optimaux, s'assurer que le bloc-piles est complètement chargé.

Pour installer le bloc-piles (G) dans la poignée de l'outil, aligner le bloc-piles sur les rails dans la poignée de l'outil et le faire glisser fermement en place puis vérifier qu'il ne s'en détachera pas.



Pour retirer le bloc-piles de l'outil, pousser sur le bouton de libération (H) et tirer fermement le bloc-piles hors de la poignée de l'outil. L'insérer dans son chargeur comme décrit dans la section appropriée de ce manuel.

Presser la détente de l'outil pendant trois secondes pour dissiper la légère charge électrique que l'outil peut avoir conservé. Il se peut que la lampe de travail s'allume un court moment.

TÉMOIN DE CHARGE DU BLOC-PILES (FIG. 6)

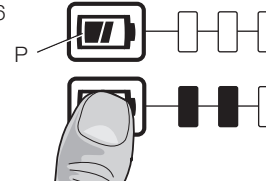
Certains blocs-piles DEWALT possèdent un témoin de charge qui consiste en trois voyants Del verts indiquant le niveau de charge du bloc-piles.

Le témoin de charge indique le niveaux approximatif de la charge du bloc-piles en fonction des indicateurs suivants :



Pour activer le témoin de charge, maintenir appuyé le bouton du témoin de charge (P). Une combinaison des trois voyants Del verts s'allumera indiquant le niveau de charge. Lorsque le niveau de charge du bloc-piles atteint la limite minimale d'utilisation, le témoin de charge reste éteint et le bloc-piles doit être rechargé.

FIG. 6



REMARQUE : le témoin de charge ne fait qu'indiquer le niveau de charge du bloc-piles. Il ne donne aucune indication quant au fonctionnement de l'outil. Son propre fonctionnement pourra aussi varier en fonction des composants produit, de la température et de l'application d'utilisation.

Pour plus d'informations quant au témoin de charge du bloc-piles, veuillez appeler le 1 800 433-9258 (1 800 4-DEWALT) ou vous rendre sur notre site www.dewalt.com.

Position correcte des mains (Fig. 7)

⚠ AVERTISSEMENT : pour réduire tout risque de dommages corporels graves, adopter SYSTÉMATIQUEMENT la position des mains illustrée.

Coupe

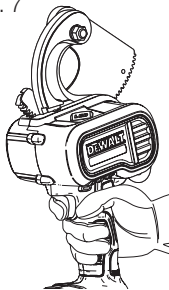
⚠ AVERTISSEMENT : pour réduire tout risque de dommages corporels :

- **Ne pas couper de morceaux de matériau courts pouvant exposer les doigts à l'organe de coupe. L'organe de coupe est acéré.**
- **Porter SYSTÉMATIQUEMENT une protection oculaire ANSI Z87.1 (CAN/CSA Z94.3).**
- **L'organe de coupe est acéré. Maintenir les mains à l'écart des bords de coupe et des pièces mobiles. Risques de lacération et d'amputation.**

⚠AVERTISSEMENT : pour réduire tout risque de dommages corporels, entreposer et transporter le coupe-câble alors que son organe de coupe est complètement refermé.

Avant la coupe, assurez-vous que le boulon à épaulement et l'écrou sont soigneusement resserrés. Reportez-vous en figure 4.

FIG. 7



1. Poussez le bouton directionnel (E) en marche arrière et activez la gâchette (D) pour ouvrir les lames.
2. Insérez entièrement la pièce à travailler entre la lame fixe (A) et la lame mobile (B) puis poussez le bouton directionnel en marche avant.

⚠ATTENTION : ne pas essayer de faire des coupes angulaires, car cela pourrait endommager la pièce et l'organe de coupe.

3. Assurez-vous que la pièce à travailler est bien droite. Placez le câble à découper contre la lame fixe.
4. Appuyez sur la gâchette jusqu'à ce que la lame mobile entame la pièce à travailler. **REMARQUE :** la pièce à travailler pourra bouger légèrement pendant la coupe.
5. Lorsque la coupe est terminée, relâchez la gâchette.

CAPACITÉ DE COUPE	
Câble en cuivre :	750 MCM
Câble en aluminium :	1000 MCM

REMARQUE : pour couper au-dessus de la tête, s'assurer systématiquement que la pièce à travailler est arrimée avant de couper et que le rebut de câble ne posera aucun risque.

AVIS : le coupe-câble pourra caler pendant une coupe, soit parce que le bloc-piles est déchargé, soit parce que le matériau à découper est trop dur ou trop large. Si c'était le cas, peu importe la raison, mettre le bouton de commande en marche arrière (vers la gauche) et appuyer sur la gâchette pour ouvrir les mâchoires de l'outil et retirer le matériau.

AVIS : ne pas tenter de couper en marche arrière. Cela pourrait endommager l'outil.

MAINTENANCE

⚠AVERTISSEMENT : pour réduire le risque de blessures graves, éteindre l'outil et retirer le bloc-piles avant d'effectuer tout réglage et d'enlever ou d'installer tout accessoire. Un démarrage accidentel peut provoquer des blessures.

Nettoyage

⚠AVERTISSEMENT : enlever les saletés et la poussière hors des événements au moyen d'air comprimé propre et sec, au moins une fois par semaine. Pour minimiser le risque de blessure aux yeux, toujours porter une protection oculaire conforme à la norme ANSI Z87.1 lors du nettoyage.

⚠AVERTISSEMENT : ne jamais utiliser de solvants ni d'autres produits chimiques puissants pour nettoyer les pièces non métalliques de l'outil. Ces produits chimiques peuvent affaiblir les matériaux de plastique utilisés dans ces pièces. Utiliser un chiffon humecté uniquement d'eau et de savon doux. Ne jamais laisser de liquide pénétrer dans l'outil et n'immerger aucune partie de l'outil dans un liquide.

INSTRUCTION DE NETTOYAGE DU CHARGEUR

⚠AVERTISSEMENT : risque de choc. Débrancher le chargeur de la prise de courant C.A. avant de le nettoyer. La saleté et la graisse

peuvent être enlevées de la surface extérieure du chargeur au moyen d'un chiffon ou d'une brosse douce non métallique. Ne pas utiliser d'eau ni d'autres solutions de nettoyage.

Accessoires

⚠️ AVERTISSEMENT : puisque les accessoires autres que ceux offerts par DEWALT n'ont pas été testés avec ce produit, leur utilisation pourrait s'avérer dangereuse. Pour réduire le risque de blessures, utiliser exclusivement les accessoires DEWALT recommandés avec le présent produit.

Les accessoires recommandés pour cet outil sont vendus séparément au centre de service de votre région. Pour obtenir de l'aide concernant l'achat d'un accessoire, communiquer avec DEWALT Industrial Tool Co., 701 East Joppa Road, Towson, MD 21286 aux États-Unis; composer le 1 800 433-9258 (1 800 4-DEWALT) ou visiter notre site Web : www.dewalt.com.

Réparations

Le chargeur et le bloc-piles ne sont pas réparables.

Pour assurer la SÉCURITÉ et la FIABILITÉ du produit, les réparations, l'entretien et les réglages doivent être réalisés par un centre de réparation en usine DEWALT, un centre de réparation agréé DEWALT ou par d'autres techniciens qualifiés. Toujours utiliser des pièces de rechange identiques.

Registre en ligne

Merci pour votre achat. Enregistrez dès maintenant votre produit:

- **RÉPARATIONS SOUS GARANTIE:** cette carte remplie vous permettra de vous prévaloir du service de réparations sous garantie de façon plus efficace dans le cas d'un problème avec le produit.

- **CONFIRMATION DE PROPRIÉTÉ:** en cas de perte provoquée par un incendie, une inondation ou un vol, cette preuve de propriété vous servira de preuve auprès de votre compagnie d'assurances.
- **SÉCURITÉ:** l'enregistrement de votre produit nous permettra de communiquer avec vous dans l'éventualité peu probable de l'envoi d'un avis de sécurité régi par la loi fédérale américaine de la protection des consommateurs.

Registre en ligne à www.dewalt.com/register.

Garantie limitée de trois ans

DEWALT réparera, sans frais, tout produit défectueux causé par un défaut de matériel ou de fabrication pour une période de trois ans à compter de la date d'achat. La présente garantie ne couvre pas les pièces dont la défectuosité a été causée par une usure normale ou l'usage abusif de l'outil. Pour obtenir de plus amples renseignements sur les pièces ou les réparations couvertes par la présente garantie, visiter le site www.dewalt.com ou composer le 1 800 433-9258 (1 800 4-DEWALT). Cette garantie ne s'applique pas aux accessoires et ne vise pas les dommages causés par des réparations effectuées par un tiers. Cette garantie confère des droits légaux particuliers à l'acheteur, mais celui-ci pourrait aussi bénéficier d'autres droits variant d'un état ou d'une province à l'autre.

En plus de la présente garantie, les outils DEWALT sont couverts par notre :

CONTRAT D'ENTRETIEN GRATUIT D'UN AN

DEWALT entretiendra l'outil et remplacera les pièces usées au cours d'une utilisation normale et ce, gratuitement, pendant une période d'un an à compter de la date d'achat.

CONTRAT D'ENTRETIEN GRATUIT DE DEUX ANS SUR LES BLOC-PILES DEWALT

DC9071, DC9091, DC9096, DC9280, DC9360, DC9180,
DCB120, DCB127, DCB201, DCB203, DCB203BT, DCB207

CONTRAT D'ENTRETIEN GRATUIT DE TROIS ANS SUR LES BLOC-PILES DEWALT

DCB200, DCB204, DCB204BT, DCB205

BLOCS-PILES DEWALT

La garantie de ce produit sera annulée si le bloc-piles a été altéré de quelque façon que ce soit. DEWALT ne peut être tenu responsable de tout dommage corporel causé par l'altération du produit et pourra poursuivre toute fraude en matière de garantie dans toute l'étendue permise par la loi.

GARANTIE DE REMBOURSEMENT DE 90 JOURS

Si l'acheteur n'est pas entièrement satisfait, pour quelque raison que ce soit, du rendement de l'outil électrique, du laser ou de la cloueuse DEWALT, celui-ci peut le retourner, accompagné d'un reçu, dans les 90 jours à compter de la date d'achat pour obtenir un remboursement intégral, sans aucun problème.

AMÉRIQUE LATINE : cette garantie ne s'applique aux produits vendus en Amérique latine. Pour ceux-ci, veuillez consulter les informations relatives à la garantie spécifique présente dans l'emballage, appeler l'entreprise locale ou consulter le site Web pour les informations relatives à cette garantie.

REPLACEMENT GRATUIT DES ÉTIQUETTES D'AVERTISSEMENT : si les étiquettes d'avertissement deviennent illisibles ou sont manquantes, composer le 1 800 433-9258 (1 800 4-DEWALT) pour en obtenir le remplacement gratuit.

DCE150 CABLE CUTTER

MAX CAPACITY:

⚠️ WARNING/ADVERTENCIA/AVERTISSEMENT

TO REDUCE THE RISK OF INJURY, USER MUST READ INSTRUCTION MANUAL, USE ONLY WITH DEWALT BATTERIES. ALWAYS USE PROPER EYE AND RESPIRATORY PROTECTION. / PARA EL MANEJO SEGURO LEA EL MANUAL DE INSTRUCCIONES. PARA REDUCIR EL RIESGO DE LESIONES, UTILICE LAS BATERÍAS DEWALT SOLAMENTE. SIEMPRE SE DEBERÁ LLEVAR LA PROTECCIÓN APROPIADA PARA LA VISTA Y PARA LAS VÍAS RESPIRATORIAS. / À TITRE PRÉVENTIF, LIRE LE GUIDE, AFIN DE MINIMISER LES RISQUES DE COUPEUR, UTILISER SEULEMENT AVEC DES PILES DEWALT. IL FAUT TOUJOURS PORTER DE L'ÉQUIPEMENT DE PROTECTION OCULAIRE ET RESPIRATOIRE APPROPRIÉ.

⚠️ DANGER/PELIGRO

DO NOT CUT LIVE CABLES. KEEP AWAY FROM MOVING PARTS.
NO CORTE CABLES CONECTADOS. GUARDE MANTENGASE ALEJADO DE LAS PIEZAS EN MOVIMIENTO.
NE PAS COUPER DES CABLES SOUS TENSION. SE PROTÉGER DES PIÈCES MOBILES.

DEWALT INDUSTRIAL TOOL CO.
TOWERS, 630 ZEEB RD.
PO BOX 608000
CALL 1-888-4-DEWALT www.DEWALT.com

SR.

Definiciones: Normas de seguridad

Las siguientes definiciones describen el nivel de gravedad de cada palabra de señal. Lea el manual y preste atención a estos símbolos.

⚠ PELIGRO: Indica una situación de peligro inminente que, si no se evita, provocará **la muerte o lesiones graves**.

⚠ ADVERTENCIA: Indica una situación de peligro potencial que, si no se evita, **podría provocar la muerte o lesiones graves**.

⚠ ATENCIÓN: Indica una situación de peligro potencial que, si no se evita, **posiblemente provocaría lesiones leves o moderadas**.

AVISO: Se refiere a una práctica **no relacionada a lesiones corporales** que de no evitarse **puede resultar en daños a la propiedad**.

SI TIENE ALGUNA DUDA O ALGÚN COMENTARIO SOBRE ÉSTA U OTRA HERRAMIENTA DEWALT, LLÁMENOS AL NÚMERO GRATUITO: **1-800-4-DEWALT (1-800-433-9258)**.



ADVERTENCIA: Para reducir el riesgo de lesiones, lea el manual de instrucciones.

Advertencias generales de seguridad para herramientas eléctricas



¡ADVERTENCIA! Lea todas las advertencias de seguridad e instrucciones. El incumplimiento de las advertencias e instrucciones puede provocar descargas eléctricas, incendios o lesiones graves.

CONSERVE TODAS LAS ADVERTENCIAS E INSTRUCCIONES PARA FUTURAS CONSULTAS

El término “herramienta eléctrica” incluido en las advertencias hace referencia a las herramientas eléctricas operadas con corriente (con cable eléctrico) o a las herramientas eléctricas operadas con baterías (inalámbricas).

1) SEGURIDAD EN EL ÁREA DE TRABAJO

- Mantenga el área de trabajo limpia y bien iluminada.** Las áreas abarrotadas y oscuras propician accidentes.
- No opere las herramientas eléctricas en atmósferas explosivas, como ambientes donde haya polvo, gases o líquidos inflamables.** Las herramientas eléctricas originan chispas que pueden encender el polvo o los vapores.
- Mantenga alejados a los niños y a los espectadores de la herramienta eléctrica en funcionamiento.** Las distracciones pueden provocar la pérdida de control.

2) SEGURIDAD ELÉCTRICA

- Los enchufes de la herramienta eléctrica deben adaptarse al tomacorriente. Nunca modifique el enchufe de ninguna manera. No utilice ningún enchufe adaptador con herramientas eléctricas con conexión a tierra.** Los enchufes no modificados y que se adaptan a los tomacorrientes reducirán el riesgo de descarga eléctrica.
- Evite el contacto corporal con superficies con descargas a tierra como, por ejemplo, tuberías, radiadores, cocinas eléctricas y refrigeradores.** Existe mayor riesgo de descarga eléctrica si su cuerpo está puesto a tierra.
- No exponga las herramientas eléctricas a la lluvia o a condiciones de humedad.** Si entra agua a una herramienta eléctrica, aumentará el riesgo de descarga eléctrica.

- d) **No maltrate el cable. Nunca utilice el cable para transportar, tirar o desenchufar la herramienta eléctrica. Mantenga el cable alejado del calor, el aceite, los bordes filosos y las piezas móviles.** Los cables dañados o enredados aumentan el riesgo de descarga eléctrica.
- e) **Al operar una herramienta eléctrica en el exterior, utilice un cable prolongador adecuado para tal uso.** Utilice un cable adecuado para uso en exteriores a fin de reducir el riesgo de descarga eléctrica.
- f) **Si el uso de una herramienta eléctrica en un lugar húmedo es imposible de evitar, utilice un suministro protegido con un interruptor de circuito por falla a tierra (GFCI).** El uso de un GFCI reduce el riesgo de descargas eléctricas.

3) SEGURIDAD PERSONAL

- a) **Permanezca alerta, controle lo que está haciendo y utilice el sentido común cuando emplee una herramienta eléctrica. No utilice una herramienta eléctrica si está cansado o bajo el efecto de drogas, alcohol o medicamentos.** Un momento de descuido mientras se opera una herramienta eléctrica puede provocar lesiones personales graves.
- b) **Utilice equipos de protección personal. Siempre utilice protección para los ojos.** En las condiciones adecuadas, el uso de equipos de protección, como máscaras para polvo, calzado de seguridad antideslizante, cascos o protección auditiva, reducirá las lesiones personales.
- c) **Evite el encendido por accidente. Asegúrese de que el interruptor esté en la posición de apagado antes de conectarlo a la fuente de energía o paquete de baterías, o antes de levantar o transportar la herramienta.** Transportar herramientas eléctricas con el dedo apoyado en el interruptor o enchufar herramientas eléctricas con el interruptor en la posición de encendido puede propiciar accidentes.

- d) **Retire la clavija de ajuste o la llave de tuercas antes de encender la herramienta eléctrica.** Una llave de tuercas o una clavija de ajuste que quede conectada a una pieza giratoria de la herramienta eléctrica puede provocar lesiones personales.
- e) **No se estire. Conserve el equilibrio y párese adecuadamente en todo momento.** Esto permite un mejor control de la herramienta eléctrica en situaciones inesperadas.
- f) **Use la vestimenta adecuada. No use ropas holgadas ni joyas. Mantenga el cabello, la ropa y los guantes alejados de las piezas en movimiento.** Las ropas holgadas, las joyas o el cabello largo pueden quedar atrapados en las piezas en movimiento.
- g) **Si se suministran dispositivos para la conexión de accesorios con fines de recolección y extracción de polvo, asegúrese de que estén conectados y que se utilicen correctamente.** El uso de dispositivos de recolección de polvo puede reducir los peligros relacionados con el polvo.

4) USO Y MANTENIMIENTO DE LA HERRAMIENTA ELÉCTRICA

- a) **No fuerce la herramienta eléctrica. Utilice la herramienta eléctrica correcta para el trabajo que realizará.** Si se la utiliza a la velocidad para la que fue diseñada, la herramienta eléctrica correcta permite trabajar mejor y de manera más segura.
- b) **No utilice la herramienta eléctrica si no puede encenderla o apagarla con el interruptor.** Toda herramienta eléctrica que no pueda ser controlada mediante el interruptor es peligrosa y debe repararse.
- c) **Desconecte el enchufe de la fuente de energía o el paquete de baterías de la herramienta eléctrica antes de realizar ajustes, cambiar accesorios o almacenar**

la herramienta eléctrica. Estas medidas de seguridad preventivas reducen el riesgo de encender la herramienta eléctrica en forma accidental.

- d) **Guarde la herramienta eléctrica que no esté en uso fuera del alcance de los niños y no permita que otras personas no familiarizadas con ella o con estas instrucciones operen la herramienta.** Las herramientas eléctricas son peligrosas si son operadas por usuarios no capacitados.
- e) **Realice el mantenimiento de las herramientas eléctricas. Revise que no haya piezas en movimiento mal alineadas o trabadas, piezas rotas o cualquier otra situación que pueda afectar el funcionamiento de la herramienta eléctrica. Si encuentra daños, haga reparar la herramienta eléctrica antes de utilizarla.** Se producen muchos accidentes a causa de las herramientas eléctricas que carecen de un mantenimiento adecuado.
- f) **Mantenga las herramientas de corte afiladas y limpias.** Las herramientas de corte con mantenimiento adecuado y con los bordes de corte afilados son menos propensas a trabarse y son más fáciles de controlar.
- g) **Utilice la herramienta eléctrica, los accesorios y las brocas de la herramienta, etc. de acuerdo con estas instrucciones y teniendo en cuenta las condiciones de trabajo y el trabajo que debe realizarse.** El uso de la herramienta eléctrica para operaciones diferentes de aquéllas para las que fue diseñada podría originar una situación peligrosa.

5) USO Y MANTENIMIENTO DE LA HERRAMIENTA CON BATERÍAS

- a) **Recargue solamente con el cargador especificado por el fabricante.** Un cargador adecuado para un tipo de paquete de baterías puede originar riesgo de incendio si se utiliza con otro paquete de baterías.

- b) **Utilice herramientas eléctricas sólo con paquetes de baterías específicamente diseñados.** El uso de cualquier otro paquete de baterías puede producir riesgo de incendio y lesiones.
- c) **Cuando no utilice el paquete de baterías, manténgalo lejos de otros objetos metálicos como sujetapapeles, monedas, llaves, clavos, tornillos u otros objetos metálicos pequeños que puedan realizar una conexión desde un terminal al otro.** Los cortocircuitos en los terminales de la batería pueden provocar quemaduras o incendio.
- d) **En condiciones abusivas, el líquido puede ser expulsado de la batería. Evite su contacto. Si entra en contacto accidentalmente, enjuague con agua. Si el líquido entra en contacto con los ojos, busque atención médica.** El líquido expulsado de la batería puede provocar irritación o quemaduras.

6) MANTENIMIENTO

- a) **Solicite a una persona calificada en reparaciones que realice el mantenimiento de su herramienta eléctrica y que sólo utilice piezas de repuesto idénticas.** Esto garantizará la seguridad de la herramienta eléctrica.

Advertencias de seguridad del cortacables

- ▲ **ADVERTENCIA: Para reducir el riesgo de lesiones, siempre guarde y transporte el cortacables con las hojas totalmente cerradas.**
- **NO CORTE CABLES DE ACERO NI OTROS OBJETOS.** Este cortacables está diseñado solamente para cortar cables de aluminio y cobre.

- **Mantenga todas las partes del cuerpo alejadas de los cortadores y el mecanismo. Un momento de falta de atención cuando se manejan las herramientas eléctricas puede ocasionar lesiones corporales graves.** No corte piezas cortas de material donde haya que poner los dedos cerca de las hojas. La hoja está afilada.
 - **NO CORTE CABLES BAJO TENSIÓN. No opere la herramienta cerca de cables bajo tensión.** Esta herramienta no está fabricada conforme a la norma ASTM F1505, o IEC 60900. Desactive siempre las líneas y el equipo antes de trabajar en o alrededor de ellos.
 - **Fije y apoye el cable antes de realizar el corte para evitar movimientos durante el corte.** Asegúrese de que el resto del material cortado no cree peligro después del corte.
 - **Agarre firmemente la herramienta en todo momento.** Las fuerzas sobre la herramienta pueden cambiar durante y después del corte.
 - **Use SIEMPRE protección ocular según la norma ANSI Z87.1 (CAN/CSA Z94.3),** Las operaciones de corte pueden ocasionar que piezas del material salgan volando. Las partículas volantes pueden ocasionar daño permanente a los ojos.
 - **Use siempre guantes cuando maneje un cable.** Los extremos pueden estar afilados y causar graves lesiones corporales.
 - **Inspeccione la herramienta y los troqueles cortadores antes de usarlos. Cambie las piezas desgastadas o dañadas. Una herramienta dañada o que no esté bien ensamblada puede romperse y golpear al operador o al personal que se encuentre cerca.**
 - **Use siempre calzado de seguridad para proteger sus pies de los restos de metal afilados en el piso.**
 - **Manténgase alejado de los extremos de las piezas que puedan caerse después del corte. Pueden estar afilados o ser pesados.**
- **NO** vuelva a afilar nunca las hojas fijas o móviles.
 - **Los orificios de ventilación suelen cubrir piezas en movimiento, por lo que también se deben evitar.** Las piezas en movimiento pueden atrapar prendas de vestir sueltas, joyas o el cabello largo.
- ⚠ **ADVERTENCIA:** Use **SIEMPRE** lentes de seguridad. Los anteojos de diario **NO SON** lentes de seguridad. Utilice además una cubrebocas o mascarilla antipolvo si la operación de corte genera demasiado polvo. **SIEMPRE LLEVE EQUIPO DE SEGURIDAD CERTIFICADO:**
- protección ocular ANSI Z87.1 (CAN/CSA Z94.3),
 - protección auditiva ANSI S12.6 (S3.19),
 - protección respiratoria NIOSH/OSHA/MSHA.
- ⚠ **ADVERTENCIA:** Algunas partículas de polvo generadas al lijar, serrar, esmerilar y taladrar con herramientas eléctricas, así como al realizar otras actividades de construcción, contienen químicos que el Estado de California sabe que pueden producir cáncer, defectos congénitos u otras afecciones reproductivas. Ejemplos de estos químicos son:
- plomo de algunas pinturas en base a plomo,
 - polvo de sílice proveniente de ladrillos y cemento y otros productos de albañilería, y
 - arsénico y cromo provenientes de madera tratada químicamente.
- Su riesgo de exposición a estos químicos varía, dependiendo de la frecuencia con la cual realiza usted este tipo de trabajo. Para reducir su exposición a estas sustancias químicas: trabaje en una zona bien ventilada y llevando equipos de seguridad aprobados, como mascarillas antipolvo especialmente diseñadas para filtrar partículas microscópicas.
- **Evite el contacto prolongado con polvo generado por el lijado, aserrado, pulido, taladrado y otras actividades de construcción. Vista ropas protectoras y lave las áreas de la**

piel expuestas con agua y jabón. Si permite que el polvo se introduzca en la boca u ojos o quede sobre la piel, puede favorecer la absorción de productos químicos peligrosos.

▲ADVERTENCIA: La utilización de esta herramienta puede generar polvo o dispersarlo, lo que podría causar daños graves y permanentes al sistema respiratorio, así como otras lesiones. Siempre use protección respiratoria aprobada por NIOSH (Instituto Nacional de Seguridad y Salud en el Trabajo) u OSHA (Administración de Seguridad y Salud en el Trabajo) apropiada para la exposición al polvo. Dirija las partículas en dirección contraria a la cara y el cuerpo.

▲ADVERTENCIA: Siempre lleve la debida protección auditiva personal en conformidad con ANSI S12.6 (S3.19) durante el uso de esta herramienta. Bajo algunas condiciones y duraciones de uso, el ruido producido por este producto puede contribuir a la pérdida auditiva.

▲ATENCIÓN: Cuando no esté en uso, guarde la herramienta apoyada en un costado sobre una superficie estable, donde no interrumpa el paso o provoque una caída. Algunas herramientas con paquetes de baterías de gran tamaño pueden colocarse paradas sobre el paquete de baterías, pero pueden caerse fácilmente.

- La etiqueta de su herramienta puede incluir los siguientes símbolos.

A continuación se indican los símbolos y sus definiciones:

V.....voltios	A.....amperios
Hz.....hertz	W.....vatios
minminutos	~ o ACcorriente alterna
== o DC....corriente directa	≈ o AC/DC....corriente alterna
Ⓜ.....Construcción de Clase I (tierra)	o directa
Ⓜ.....Construcción de Clase II (doble aislamiento)	nvelocidad nominal

.../minpor minuto	n _ovelocidad sin carga
IPM.....impactos por minuto	⊕terminal de conexión a tierra
sfpmpies de superficie por minuto	▲.....símbolo de advertencia de seguridad
RPMrevoluciones por minuto	⚠.....radiación visible
BPM.....golpes por minuto	
SPMpasadas por minuto	

Instrucciones de seguridad importantes para todas las unidades de batería

Cuando solicite unidades de batería de repuesto, no olvide indicar el número de catálogo y el voltaje. Consulte la tabla al final de este manual para ver la compatibilidad entre cargadores y unidades de batería.

La unidad de batería no viene completamente cargada de fábrica. Antes de usar la unidad de batería y el cargador, lea las siguientes instrucciones de seguridad. Luego, siga los procedimientos de carga indicados.

LEA TODAS LAS INSTRUCCIONES

- **No cargue o use la unidad de batería en atmósferas explosivas, como en presencia de líquidos, gases o polvos inflamables.** Puede que al insertar o sacar la unidad de batería del cargador se inflamen el polvo o los gases.
- **NUNCA fuerce la unidad de batería para que entre en el cargador. NO modifique la unidad de batería en ninguna forma para que entre en un cargador no compatible, pues**

puede producir una ruptura en la unidad de batería y causar lesiones corporales graves. Consulte la tabla al final de este manual para ver la compatibilidad entre baterías y cargadores.

- Cargue las unidades de batería sólo en los cargadores designados por DEWALT.
- **NO** salpique con ni sumerja en agua u otros líquidos.
- **No guarde ni use la herramienta y unidad de batería en lugares donde la temperatura pueda alcanzar o superar los 40 °C (104 °F), tales como cobertizos o construcciones de metal durante el verano.** Almacene las unidades de batería en lugares frescos y secos para maximizar su vida útil.

NOTA: No almacene las unidades de batería en la herramienta con el interruptor de gatillo en posición encendida fija. Nunca use cinta adhesiva para mantener el interruptor de gatillo en posición ENCENDIDA.

⚠ADVERTENCIA: Peligro de incendio. Nunca intente abrir la unidad de batería por ningún motivo. Si la caja exterior de la unidad de batería se triza o daña, no la introduzca en el cargador. No triture, deje caer o dañe la unidad de batería. No use una unidad de batería o un cargador que haya sido golpeado, dejado caer, atropellado o dañado en cualquier forma (por ejemplo, perforado por un clavo, golpeado con un martillo, pisado). Lleve sus unidades de batería dañadas al centro de servicio para que sean recicladas.

⚠ADVERTENCIA: Peligro de incendio. No guarde ni transporte la unidad de batería de manera que objetos metálicos puedan hacer contacto con los terminales expuestos de la batería. Por ejemplo, no ponga la unidad de batería en delantales, bolsillos, cajas de herramientas, estuches de productos, cajones, etc., junto con clavos, tornillos, llaves, etc., sueltos. **El transporte de baterías puede causar incendios si sus terminales inadvertidamente entran en contacto con materiales conductores como llaves, monedas, herramientas de mano y otros por el estilo.** El Reglamento sobre Materiales Peligrosos (HMR) del Ministerio de Transporte de

los Estados Unidos actualmente prohíbe el transporte de baterías en el comercio o en aviones (por ejemplo, embaladas en maletas y maletines de mano) A NO SER que estén debidamente protegidas para prevenir cortocircuitos. Por lo tanto, cuando transporte unidades de batería individuales, asegúrese de que sus terminales estén protegidos y debidamente aislados de materiales que pudieran entrar en contacto con ellos y causar un cortocircuito.

INSTRUCCIONES DE SEGURIDAD ESPECÍFICAS PARA BATERÍAS DE IONES DE LITIO (Li-Ion)

- **No incinere la unidad de batería, aunque esté completamente dañada o descargada. La unidad de batería puede explotar si se quema.** Cuando se queman unidades de batería de iones de litio, se producen gases y materiales tóxicos.
- **Si el contenido de la batería entra en contacto con la piel, lave el área de inmediato con agua y un jabón suave.** Si el líquido de la batería entra en contacto con sus ojos, enjuáguelos con agua y los ojos abiertos por 15 minutos o hasta que cese la irritación. Si se requiere de asistencia médica, el electrolito de la batería está compuesto por una mezcla de carbonatos orgánicos líquidos y sales de litio.
- **El contenido de los elementos abiertos de la batería puede causar irritación en el tracto respiratorio.** Salga al aire fresco. Si los síntomas persisten, busque asistencia médica.

⚠ADVERTENCIA: Peligro de quemaduras. El líquido de la batería puede ser inflamable si se expone a chispas o llamas.

El sello RBRC®

El sello RBRC® (Rechargeable Battery Recycling Corporation) en las baterías (unidades de batería) de níquel cadmio, níquel e hidruro metálico o de iones de litio indica que el costo de reciclaje de estas baterías (o unidades de batería) al llegar al final de su vida de servicio ya ha sido pagado por DEWALT. En



algunas áreas, es ilegal depositar baterías de níquel cadmio, níquel e hidruro metálico o de iones de litio gastadas en la basura o la corriente de residuos sólidos urbanos; el programa Call 2 Recycle® proporciona una alternativa ecológica.

Call 2 Recycle, Inc., en cooperación con DEWALT y otros usuarios de baterías, han establecido programas en los Estados Unidos y Canadá para facilitar la recolección de baterías de níquel cadmio, níquel e hidruro metálico o de iones de litio gastadas. Al llevar sus baterías de níquel cadmio, níquel e hidruro metálico y de iones de litio gastadas a un centro de servicio autorizado por DEWALT o al minorista local para que sean recicladas, ayuda a proteger el medio ambiente y a conservar recursos naturales. También puede comunicarse con el centro de reciclaje de su localidad para mayor información sobre dónde llevar sus baterías gastadas. RBRC® es una marca comercial registrada de Call 2 Recycle, Inc.

Instrucciones importantes de seguridad para todos los cargadores de baterías

GUARDE ESTAS INSTRUCCIONES: Este manual contiene instrucciones de seguridad y operación importantes para los cargadores de baterías.

- Antes de usar el cargador, lea todas las instrucciones y advertencias que se encuentren en el cargador, la unidad de batería y el producto que usa la unidad de batería.

⚠ADVERTENCIA: Peligro de descarga eléctrica. No permita que ningún líquido se introduzca en el cargador. Puede producir descargas eléctricas.

⚠ATENCIÓN: Peligro de quemaduras. Para reducir el riesgo de lesiones, sólo cargue unidades de batería recargables marca DEWALT. Otros tipos de batería podrían sobrecalentarse y reventar lo que podría resultar en lesiones corporales y daños a su propiedad.

AVISO: Bajo ciertas condiciones, cuando el cargador está enchufado a una toma de corriente, el cargador puede hacer cortocircuito si

entra en contacto con algún material ajeno. Los materiales ajenos de naturaleza conductora, como el polvo de esmerilado, las placas de metal, la lana de acero, el papel de aluminio y otros, o cualquier acumulación de partículas metálicas deberían mantenerse alejados de las cavidades del cargador. Desenchufe siempre el cargador cuando no haya una unidad de batería en su cavidad. Desenchufe el cargador antes de intentar limpiarlo.

- **NO intente cargar la unidad de batería con otros cargadores que no sean los descritos en este manual.** El cargador y la unidad de batería fueron específicamente diseñados para trabajar en conjunto.
- **Estos cargadores no fueron diseñados para ser utilizados para más que cargar las baterías recargables DEWALT.** Cualquier otro uso puede producir riesgo de incendios, descargas eléctricas o electrocución.
- **No exponga el cargador a la lluvia o a la nieve.**
- **Tire del enchufe y no del cable cuando desconecte el cargador.** De esta forma se reduce el riesgo de daño al enchufe y cable.
- **Asegúrese de que el cable no sea ubicado de manera que podría ser pisado, causar que alguien tropiece con él o ser expuesto a otro tipo de daños y desgastes.**
- **No use un alargador a menos que sea absolutamente necesario.** El uso de un alargador incorrecto podría producir riesgo de incendios, descargas eléctricas o electrocución.
- **Cuando opere un cargador al exterior, hágalo siempre en un lugar seco y use un alargador apropiado para uso al exterior.** El uso de un alargador apropiado para uso al exterior reduce el riesgo de descarga eléctrica.
- **Los hilos del alargador deben ser de un calibre apropiado (AWG o American Wire Gauge) para su seguridad.** Mientras menor sea el calibre del hilo, mayor la capacidad del cable. Es decir, un hilo calibre 16 tiene mayor capacidad que uno de 18. Un cable

de un calibre insuficiente causará una caída en la tensión de la línea dando por resultado una pérdida de energía y sobrecalentamiento. Cuando se utilice más de un alargador para completar el largo total, asegúrese que los hilos de cada alargador tengan el calibre mínimo. La tabla siguiente muestra el tamaño correcto a utilizar, dependiendo de la longitud del cable y del amperaje nominal de la placa de identificación. Si tiene dudas sobre cuál calibre usar, use un calibre mayor. Cuanto menor sea el número del calibre, más resistente será el cable.

Calibre mínimo para cables de alimentación						
Amperaje		Voltios	Largo total del cordón en metros (pies)			
		120 V	7,6 (25)	15,2 (50)	30,5 (100)	45,7 (150)
		240 V	15,2 (50)	30,5 (100)	61,0 (200)	91,4 (300)
Más de	No más de	AWG				
0	6		18	16	16	14
6	10		18	16	14	12
10	12		16	16	14	12
12	16		14	12	No recomendado	

- **No coloque ningún objeto encima del cargador ni coloque a este sobre una superficie blanda que pudiera bloquear las ranuras de ventilación y resultar en un calor interno excesivo.** Coloque el cargador en un lugar alejado de cualquier fuente de calor. El cargador se ventila a través de las ranuras que se encuentran en la parte superior e inferior de la caja protectora.
- **No opere el cargador si su cable o enchufe están dañados.**

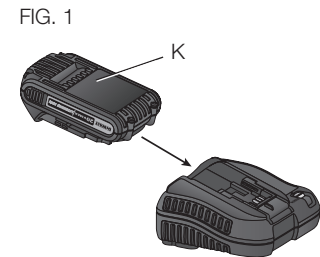
- **No opere el cargador si ha recibido un golpe agudo, si se ha caído o si ha sido dañado de alguna otra forma.** Llévelo a un centro de servicio autorizado.
- **No desarme el cargador; llévelo a un centro de servicio autorizado cuando deba ser reparado.** Si es reensamblado incorrectamente, puede causar descargas eléctricas, electrocución o incendios.
- **Desenchufe el cargador antes de intentar limpiarlo. Esto reducirá el riesgo de descargas eléctricas.** El retirar el paquete de baterías no reducirá este riesgo.
- **NUNCA** intente conectar 2 cargadores entre sí.
- **El cargador está diseñado para operar con una corriente eléctrica estándar residencial de 120 V. No intente usarlo con ningún otro voltaje.** Esto no aplica al cargador vehicular.

Cargadores

Su herramienta utiliza un cargador DEWALT. Asegúrese de leer todas las instrucciones de seguridad antes de utilizar su cargador. Consulte el gráfico al final del manual para conocer la compatibilidad entre los cargadores y los paquetes de baterías.

Procedimiento de carga (Fig. 1)

1. Enchufe el cargador en una toma de corriente apropiada antes de insertar la unidad de batería.
2. Inserte la unidad de batería (K) en el cargador, como se muestra en la Figura 1, comprobando que quede bien colocado dentro del mismo. La luz roja (de carga) parpadeará continuamente para indicar que se ha iniciado el proceso de carga.



3. La luz roja se quedará ENCENDIDA continuamente cuando se haya completado el proceso de carga. La unidad estará entonces completamente cargada y podrá ser utilizado de inmediato o dejarse en el cargador.

Operación de la luz indicadora

DCB101, DCB102, DCB103



DCB107, DCB112, DCB113, DCB115



Indicadores de carga

Este cargador ha sido diseñado para detectar ciertos problemas que pudieran surgir. Estos problemas se indican mediante una luz roja intermitente rápida. Si esto ocurre, vuelva a colocar la unidad de batería en el cargador. Si el problema persiste, pruebe con otra unidad de batería para determinar si el cargador está funcionando debidamente. Si la segunda unidad de batería carga correctamente,

significa que la primera está fallada y debería ser llevada a un centro de servicio u otro lugar de colección para su reciclaje. Si la segunda unidad de batería hace que el cargador indique el mismo problema que la primera, lleve el cargador y la unidad de batería a un centro de servicio autorizado para su examinación.

HOT/COLD DELAY

RETARDO POR BATERÍA CALIENTE/FRÍA **DCB101, DCB102, DCB103**

Estos cargadores tienen una función de retardo por batería caliente/fría: Cuando el cargador detecta que una batería está demasiado caliente o demasiado fría, inicia automáticamente un retraso y suspende la carga. La luz roja parpadeará a intervalos largos, luego cortos cuando esté en modo de retardo por batería caliente/fría.

Una vez que la batería haya alcanzado una temperatura óptima, el cargador continuará automáticamente el procedimiento de carga. Esta función garantiza la máxima duración de la batería.

DCB107, DCB112, DCB113, DCB115

Estos cargadores tienen una función de retardo por batería caliente/fría: Cuando el cargador detecta que una batería está demasiado caliente o demasiado fría, inicia automáticamente un retraso y suspende la carga. La luz roja continuará parpadearando, pero la luz indicadora amarilla estará iluminada durante esta suspensión.

Una vez que la batería haya llegado a una temperatura óptima, la luz amarilla se apagará y el cargador continuará automáticamente con el procedimiento de carga. Esta función garantiza la máxima duración de la batería.

PERMANENCIA DE LA UNIDAD DE BATERÍA EN EL CARGADOR

El cargador y la unidad de batería pueden dejarse conectados con la luz del cargador indicando que la unidad está cargada.

UNIDADES DE BATERÍA DESGASTADAS: Las baterías desgastadas seguirán funcionando pero no debe esperarse que tengan capacidad para la misma cantidad de trabajo.

UNIDADES DE BATERÍA DEFECTUOSAS:

DCB101, DCB102, DCB103

Estos cargadores no cargarán un paquete de baterías defectuoso. El cargador indicará que la unidad de batería es defectuosa al no iluminarse o al indicar que existe un problema con la unidad o el cargador.

NOTA: Esto también puede significar que hay un problema con el cargador.

DCB107, DCB112, DCB113, DCB115

Estos cargadores no cargarán un paquete de baterías defectuoso. El cargador indicará que la unidad de batería es defectuosa al no iluminarse.

NOTA: Esto también puede significar que hay un problema con el cargador.

Montaje en la pared

DCB107, DCB112, DCB113, DCB115

Estos cargadores están diseñados para montarse en la pared o colocarse en posición vertical sobre una mesa o superficie de trabajo. Si se monta en la pared, ubicar el cargador al alcance de una toma de corriente. Montar el cargador firmemente utilizando tornillos para muro seco de un mínimo de 25,4 mm (1") de largo, atornillados en madera hasta una profundidad óptima dejando el tornillo expuesto aproximadamente 5,5 mm (7/32").

Notas importantes sobre la carga

1. Se puede obtener una mayor duración y un mejor rendimiento si la unidad de batería se carga a una temperatura ambiente de 18–24 °C (65–75 °F). NO cargue la unidad de batería a una temperatura ambiental inferior a +4,5 °C (+40 °F) o superior a +40 °C (+104 °F). Esto es importante y evitará causar daños graves a la batería.
2. Puede que el cargador y la unidad de batería se calienten ligeramente durante el proceso de carga. Esto es normal y no representa ningún problema. Para facilitar el enfriamiento de la unidad de batería después del uso, evite colocar el cargador o la unidad de batería en un lugar cálido, como un cobertizo metálico o un remolque sin aislamiento térmico.
3. Una unidad de batería fría se demora el doble del tiempo en cargarse que una unidad de batería caliente. La unidad de batería se cargará a ese ritmo más lento durante todo el ciclo de carga y no volverá a cargarse a la velocidad de carga máxima aún cuando la unidad de batería se caliente.
4. Si la unidad de batería no se carga correctamente:
 - a. Verifique el funcionamiento de la toma enchufando una lámpara u otro aparato;
 - b. Revise que la toma de corriente no esté conectada a un interruptor de luz que corte la corriente cuando se corte la luz;
 - c. Mueva el cargador y la unidad de batería a un lugar donde la temperatura ambiental sea aproximadamente 18–24 °C (65–75 °F);
 - d. Si el problema de carga continúa, lleve la herramienta, unidad de batería y el cargador a su centro de servicio local.
5. La unidad de batería debería ser recargada cuando no sea capaz de producir suficiente potencia para trabajos que eran fácilmente realizados antes. NO CONTINÚE usándola bajo estas circunstancias. Siga el procedimiento de carga. También puede

cargar una unidad de batería que haya sido usada parcialmente cuando lo desee, sin dañarla.

6. Los materiales ajenos conductores por naturaleza, tales como, pero sin limitarse a, el polvo del esmerilado, las virutas metálicas, la lana de acero, el papel de aluminio o cualquier acumulación de partículas metálicas deberían mantenerse alejados de las cavidades del cargador. Desenchufe siempre el cargador de la toma de corriente cuando no haya una unidad de batería en su cavidad. Desenchufe el cargador antes de intentar limpiarlo.
7. No congele ni sumerja el cargador en agua o cualquier otro líquido.

⚠ADVERTENCIA: Peligro de descarga eléctrica. No permita que ningún líquido se introduzca en el cargador. Puede producir descargas eléctricas.

⚠ADVERTENCIA: Peligro de quemaduras. No sumerja la unidad de batería en líquido de ningún tipo ni permita que se introduzca ningún tipo de líquido a la unidad de batería. Nunca intente abrir la unidad de batería por ningún motivo. Si la caja plástica de la unidad de batería se triza o rompe, llévela a un centro de servicio para su reciclaje

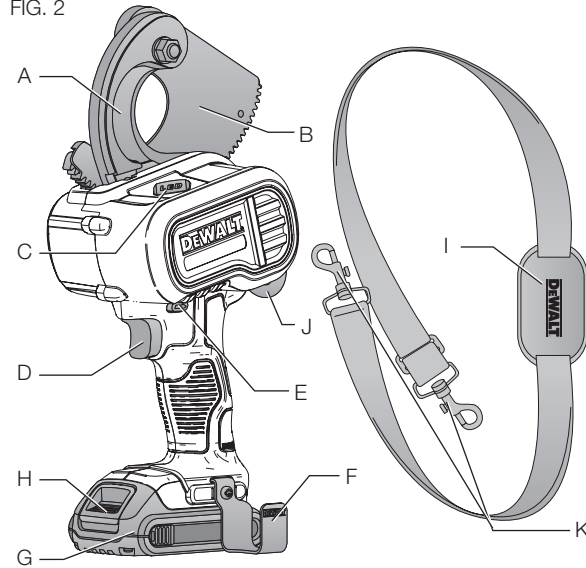
Recomendaciones de almacenamiento

1. El mejor lugar de almacenamiento es uno que sea fresco y seco, lejos de la luz solar directa y del exceso de calor o frío.
2. Para resultados óptimos durante tiempos prolongados de almacenamiento, se recomienda almacenar la unidad de batería completamente cargada en un lugar fresco y seco fuera del cargador.

NOTA: Las unidades de batería no deberían almacenarse completamente descargadas. La unidad de batería deberá recargarse antes de ser usada.

GUARDE ESTAS INSTRUCCIONES PARA VOLVER A CONSULTAREN EL FUTURO

FIG. 2



COMPONENTES (Fig. 2)

⚠ADVERTENCIA: Nunca modifique la herramienta eléctrica ni ninguna parte de ella. Podrían producirse daños o lesiones.

- | | |
|---------------------------------|--------------------------------------|
| A. Hoja fija | G. Batería |
| B. Hoja móvil | H. Botón de liberación de la batería |
| C. Luz de trabajo LED | I. Correa para el hombro |
| D. Interruptor de gatillo | J. Anillo para la correa |
| E. Botón direccional/de bloqueo | K. Gancho para la correa |
| F. Gancho para colgar | |

USO DEBIDO

Este cortacables está diseñado solamente para aplicaciones profesionales de corte de cables de cobre y aluminio.

NO debe usarse para cortar cable de acero ni pernos, varillas, tuberías o tubos, etc.

NO debe usarse en condiciones húmedas ni en presencia de líquidos o gases inflamables.

Este cortacables es una herramienta eléctrica profesional. **NO** permita que los niños toquen la herramienta. Si el operador no tiene experiencia utilizando esta herramienta, deberá ser supervisado.

INTERRUPTOR DE GATILLO (FIG. 2)

Al apretar el interruptor de gatillo (D) se pone la hoja en funcionamiento, mientras que al soltar totalmente el interruptor de gatillo se apaga. Puesto que la herramienta está equipada con un freno, la hoja móvil (B) se detendrá tan pronto como el interruptor de gatillo se haya soltado por completo.

BOTÓN DIRECCIONAL/ DE BLOQUEO (FIG. 2)

La posición del botón direccional/de bloqueo (B) determina la dirección de la herramienta y si la herramienta está bloqueada en posición de apagado. Cuando cambie la posición del botón de control, asegúrese de que el gatillo esté suelto.

Cuando el botón de control está presionado hacia el lado derecho de la herramienta, el interruptor de gatillo (D) avanzará/cerrará las hojas. Cuando el botón de control está presionado hacia el lado izquierdo de la herramienta, el interruptor de gatillo retrocederá/abrirá las hojas. La posición central del botón de control bloquea el interruptor de gatillo en la posición de apagado.

GANCHO PARA COLGAR (FIG. 2,3)

⚠ADVERTENCIA: Para reducir el riesgo de lesión corporal grave, no

use el gancho para colgar la herramienta, para colgar la herramienta de su cuerpo. NO utilice el gancho para colgar para atar o asegurar la herramienta a una persona u objeto durante su uso. NO cuelgue la herramienta en alto ni cuelgue objetos del gancho para colgar la herramienta.

⚠ADVERTENCIA: Para reducir el riesgo de lesiones provocadas por una caída del cortacables sobre operadores o personas circundantes, asegúrese de que esté apoyado fijamente cuando use el gancho para colgar o que esté apoyado en un lugar seguro y estable cuando no esté utilizándose. Asegúrese de mantener despejada el área por debajo para reducir el riesgo de que la herramienta o el material cortado se caigan y golpeen a alguien o algo por debajo.

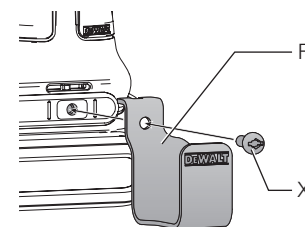
⚠ADVERTENCIA: Para reducir el riesgo de lesiones corporales graves, asegúrese de que el tornillo que sujeta el gancho para colgar esté seguro.

IMPORTANTE: Al fijar o volver a colocar el gancho para colgar (X), use solo el tornillo (X) provisto. Asegúrese de apretar bien el tornillo. El gancho para colgar (F) puede sujetarse a ambos lados de la herramienta, utilizando solamente el tornillo (X) suministrado, para ajustarse a los usuarios diestros o zurdos. Asegúrese de apretar bien el tornillo.

LUZ DE TRABAJO LED (FIG. 2)

La luz de trabajo (C) se ilumina siempre que el interruptor de gatillo esté presionado para proporcionar mejor visibilidad de la pieza de trabajo. Permanecerá encendida por 20 segundos después de que se suelte el gatillo.

FIG. 3



CORREA PARA EL HOMBRO (FIG. 2)

Su cortacables viene con una correa para el hombro. Enganche los ganchos para la correa ((K) en el anillo para la correa (J).

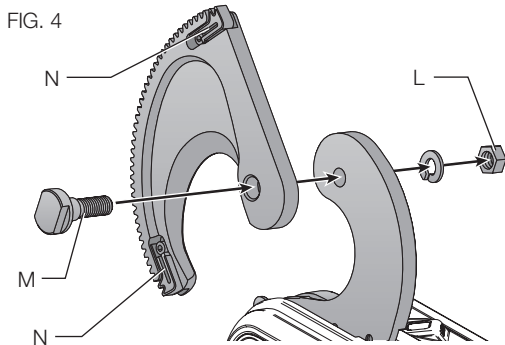
MONTAJE Y AJUSTES

Cambio de la hoja móvil (Fig. 4)

⚠ADVERTENCIA: Para disminuir el riesgo de lesiones corporales graves, apague la herramienta y extraiga la batería antes de realizar ajustes o extraer/instalar accesorios. La puesta en marcha accidental puede causar lesiones.

⚠ADVERTENCIA: Para reducir el riesgo de lesiones corporales graves, no use el cortacables con ningún tipo de accesorio que no sea uno de los recomendados por DEWALT.

⚠ADVERTENCIA: Las hojas están afiladas. Mantenga las manos alejadas de los bordes de corte. Pueden ocurrir laceraciones.



Cambie las hojas cuando estén desafiladas o melladas. Una hoja está desafilada cuando el borde parece desgastado, redondeado o dañado.

1. Saque la batería.
2. Gire la hoja para que esté alejada del engranaje de piñón.
3. Asegure la tuerca de fijación (L) con una llave. Extraiga el tornillo de resalto de la hoja (M).
4. Instale la nueva hoja volviendo a ensamblar el tornillo de resalto de la hoja y la tuerca de fijación. **NOTA:** La tuerca debería apretarse hasta 260 lb-pulg.

NOTA: Debería cambiarse la guía de engranaje (N) a ambos lados de la hoja móvil si está dañada o desgastada.

FUNCIONAMIENTO

ADVERTENCIA: Para disminuir el riesgo de lesiones corporales graves, apague la herramienta y extraiga la batería antes de realizar ajustes o extraer/instalar accesorios. La puesta en marcha accidental puede causar lesiones.

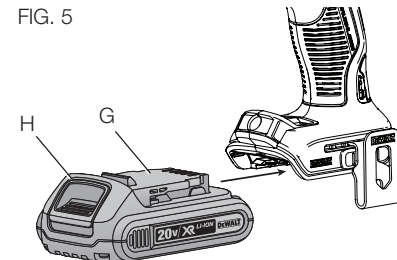
ADVERTENCIA: PELIGRO DE CORTE O AMPUTACIÓN. No tenga nunca ninguna parte de su cuerpo cerca de los cortadores o el mecanismo. Pueden producirse graves lesiones corporales.

Instalación y extracción del paquete de baterías (Fig. 5)

NOTA: Para obtener mejores resultados, asegúrese de que el paquete de baterías esté totalmente cargado.

Para instalar el paquete de baterías (G) en el mango de la herramienta, alinee el paquete de baterías con los rieles dentro

FIG. 5



del mango de la herramienta y deslícelo hacia el interior del mango hasta que el paquete quede asentado con firmeza en la herramienta. Asegúrese de que no se desenganche.

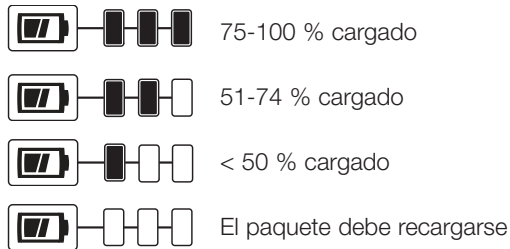
Para extraer el paquete de baterías de la herramienta, presione el botón de liberación (H) y tire con firmeza del paquete hacia afuera del mango de la herramienta. Insértelo en el cargador, como se describe en la sección de Cargador de este manual.

Presione el gatillo de la herramienta por tres segundos para disipar la leve carga eléctrica que aún pueda existir en la herramienta. La luz de trabajo puede encenderse por un momento.

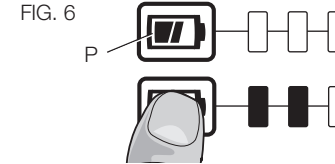
PAQUETES DE BATERÍAS CON MEDIDOR DE CARGA (FIG. 6)

Algunos paquetes de baterías DEWALT incluyen un medidor de carga, el cual consiste en tres luces LED verdes que indican el nivel de carga remanente en el paquete de baterías.

El medidor de carga es una indicación de los niveles aproximados de carga restante en el paquete de baterías de acuerdo con los indicadores siguientes:



Para accionar el medidor de carga, mantenga presionado el botón del medidor de carga (P). Se iluminará un conjunto de tres luces LED verdes que designan el nivel de carga restante. Cuando el nivel de carga en la batería sea inferior al límite utilizable, el medidor de carga no se iluminará y la batería deberá recargarse.



NOTA: El medidor de carga es solo un indicador de la carga restante en el paquete de baterías. No indica la funcionalidad de la herramienta y está sujeto a variaciones según los componentes del producto, la temperatura y la aplicación del usuario final.

Para obtener más información sobre los paquetes de baterías con medidores de carga, comuníquese al 1-800-4-DEWALT (1-800-433-9258) o visite nuestro sitio web www.dewalt.com.

Posición adecuada de las manos (Fig. 7)

⚠ADVERTENCIA: Para reducir el riesgo de lesiones corporales graves, tenga SIEMPRE las manos en una posición adecuada como se muestra.

Corte

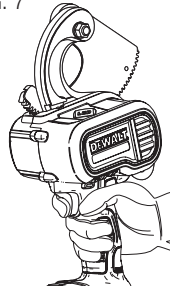
⚠ADVERTENCIA: Para reducir el riesgo de lesión,

- No corte piezas cortas de material donde haya que poner los dedos cerca de las hojas. La hoja está afilada.
- Use SIEMPRE protección ocular según la norma ANSI Z87.1 (CAN/CSA Z94.3),
- La hoja está afilada. Mantenga las manos alejadas de los bordes de corte y las piezas en movimiento. Pueden producirse laceraciones o amputaciones.

⚠ADVERTENCIA: Para reducir el riesgo de lesiones, siempre guarde y transporte el cortacables con las hojas totalmente cerradas.

Antes de cortar, asegúrese de que el perno de resalto de la hoja y la tuerca estén bien apretados. Consulte la Figura 4.

FIG. 7



1. Empuje el botón direccional (E) hasta la posición de reversa y active el interruptor de gatillo (D) para abrir las hojas.
2. Inserte la pieza de trabajo en ángulo recto entre la hoja fija (A) y la hoja móvil (B) y presione el botón direccional hacia la posición de avance.

⚠️ ATENCIÓN: No intente hacer cortes en ángulo ya que esto dañará la pieza de trabajo y la hoja.

3. Asegúrese de que la pieza de trabajo esté recta. Coloque el cable que vaya a cortarse contra la hoja fija.
4. Tire del gatillo hasta que la pieza de trabajo esté fijada por la hoja móvil. **NOTA:** La pieza de trabajo puede moverse ligeramente durante el corte.
5. Cuando se haya terminado el corte, suelte el gatillo.

CAPACIDAD DE CORTE	
Cable de cobre:	750MCM
Cable de aluminio:	1000MCM

NOTA: Al cortar en altura, compruebe siempre que la pieza de trabajo esté segura antes de cortar y asegúrese de que el cable sobrante que se corte no cree un peligro.

AVISO: El cortacables podría pararse durante un corte ya sea como consecuencia de una batería descargada o por haber cortado un material demasiado duro o demasiado grande. Si la unidad se para

durante el corte por cualquier motivo, ponga el botón de control en posición reversa (lado izquierdo) y tire del interruptor de gatillo para abrir la mordaza del cortador y extraiga el material.

AVISO: No intente cortar en dirección reversa. Podría ocasionarse daño a la herramienta.

MANTENIMIENTO

⚠️ ADVERTENCIA: Para reducir el riesgo de lesiones graves, apague la herramienta y quite el paquete de baterías antes de realizar ajustes o quitar/instalar aditamentos o accesorios. Un arranque accidental puede ocasionar lesiones.

Limpieza

⚠️ ADVERTENCIA: Expulse la suciedad y el polvo de todas las ventilaciones de aire con aire limpio y seco al menos una vez por semana. Para minimizar el riesgo de lesión ocular, siempre utilice protección ocular aprobada por ANSI Z87.1 al realizar esta tarea.

⚠️ ADVERTENCIA: Nunca use solventes ni otros productos químicos abrasivos para limpiar las partes no metálicas de la herramienta. Estos productos químicos pueden debilitar los materiales de plástico usados en estas partes. Use un paño humedecido solo con agua y jabón neutro. Nunca permita el ingreso de líquido en la herramienta; nunca sumerja ninguna parte de la herramienta en líquido.

INSTRUCCIONES DE LIMPIEZA DEL CARGADOR

⚠️ ADVERTENCIA: Riesgo de descarga. Desconecte el cargador del tomacorriente de CA antes de limpiarlo. Se puede extraer suciedad y grasa del exterior del cargador con un trapo o cepillo no metálico suave. No use agua ni ninguna solución de limpieza.

Accesorios

▲ADVERTENCIA: Como los accesorios, fuera de los ofrecidos por DEWALT, no han sido probados con este producto, el uso de tales accesorios con esta herramienta podría ser peligroso. Para reducir el riesgo de lesiones, solo debe usar accesorios recomendados por DEWALT con este producto.

Los accesorios recomendados para usar con su herramienta están disponibles a un costo adicional con su distribuidor local o centro técnico autorizado. Si necesita asistencia para ubicar un accesorio, contacte a DEWALT Industrial Tool Co., 701 East Joppa Road, Towson, MD 21286, llame al 1-800-4-DEWALT (1-800-433-9258) o visite nuestro sitio web: www.dewalt.com.

Reparaciones

El cargador y el paquete de baterías no pueden repararse.

Para garantizar la SEGURIDAD y CONFIABILIDAD del producto, las reparaciones, el mantenimiento y los ajustes deben ser realizados por un centro técnico de fábrica de DEWALT, un centro técnico autorizado de DEWALT u otro personal técnico calificado. Utilice siempre piezas de repuesto idénticas.

PARA REPARACIÓN Y SERVICIO DE SUS HERRAMIENTAS ELÉCTRICAS, FAVOR DE DIRIGIRSE AL CENTRO DE SERVICIO MÁS CERCANO

CULIACAN, SIN

Bldv.Emiliano Zapata 5400-1 Poniente
Col. San Rafael (667) 717 89 99

GUADALAJARA, JAL

Av. La Paz #1779 - Col. Americana Sector Juárez (33) 3825 6978

MEXICO, D.F.

Eje Central Lázaro Cárdenas No. 18
Local D, Col. Obrera (55) 5588 9377

MERIDA, YUC

Calle 63 #459-A - Col. Centro (999) 928 5038

MONTERREY, N.L.

Av. Francisco I. Madero 831 Poniente - Col. Centro (818) 375 23 13

PUEBLA, PUE

17 Norte #205 - Col. Centro (222) 246 3714

QUERETARO, QRO

Av. San Roque 274 - Col. San Gregorio (442) 2 17 63 14

SAN LUIS POTOSI, SLP

Av. Universidad 1525 - Col. San Luis (444) 814 2383

TORREON, COAH

Bldv. Independencia, 96 Pte. - Col. Centro (871) 716 5265

VERACRUZ, VER

Prolongación Díaz Mirón #4280 - Col. Remes (229) 921 7016

VILLAHERMOSA, TAB

Constitución 516-A - Col. Centro (993) 312 5111

PARA OTRAS LOCALIDADES:

Si se encuentra en México, por favor llame al (55) 5326 7100

Si se encuentra en U.S., por favor llame al
1-800-433-9258 (1-800 4-DEWALT)

Póliza de Garantía

IDENTIFICACIÓN DEL PRODUCTO:

Sello o firma del Distribuidor.

Nombre del producto: _____ Mod./Cat.: _____

Marca: _____ Núm. de serie: _____

(Datos para ser llenados por el distribuidor)

Fecha de compra y/o entrega del producto: _____

Nombre y domicilio del distribuidor donde se adquirió el producto:

Este producto está garantizado por un año a partir de la fecha de entrega, contra cualquier defecto en su funcionamiento, así como en materiales y mano de obra empleados para su fabricación. Nuestra garantía incluye la reparación o reposición del producto y/o componentes sin cargo alguno para el cliente, incluyendo mano de obra, así como los gastos de transportación razonablemente erogados derivados del cumplimiento de este certificado.

Para hacer efectiva esta garantía deberá presentar su herramienta y esta póliza sellada por el establecimiento comercial donde se adquirió el producto, de no contar con ésta, bastará la factura de compra.

EXCEPCIONES

Esta garantía no será válida en los siguientes casos:

- Cuando el producto se hubiese utilizado en condiciones distintas a las normales;
- Cuando el producto no hubiese sido operado de acuerdo con el instructivo de uso que se acompaña;
- Cuando el producto hubiese sido alterado o reparado por personas distintas a las enlistadas al final de este certificado.

Anexo encontrará una relación de sucursales de servicio de fábrica, centros de servicio autorizados y franquiciados en la República Mexicana, donde podrá hacer efectiva su garantía y adquirir partes, refacciones y accesorios originales.

Registro en línea

Gracias por su compra. Registre su producto ahora para:

- **SERVICIO EN GARANTÍA:** Si completa esta tarjeta, podrá obtener un servicio en garantía más eficiente, en caso de que exista un problema con su producto.
- **CONFIRMACIÓN DE PROPIEDAD:** En caso de una pérdida que cubra el seguro, como un incendio, una inundación o un robo, el registro de propiedad servirá como comprobante de compra.

- **PARA SU SEGURIDAD:** Si registra el producto, podremos comunicarnos con usted en el caso improbable que se deba enviar una notificación de seguridad conforme a la Federal Consumer Safety Act (Ley Federal de Seguridad de Productos para el Consumidor).

Registro en línea en www.dewalt.com/register.

Garantía limitada por tres años

DEWALT reparará, sin cargo, cualquier falla que surja de defectos en el material o la fabricación del producto, por hasta tres años a contar de la fecha de compra. Esta garantía no cubre fallas de las piezas causadas por su desgaste normal o abuso a la herramienta. Para mayores detalles sobre la cobertura de la garantía e información acerca de reparaciones realizadas bajo garantía, visítenos en www.dewalt.com o diríjase al centro de servicio más cercano. Esta garantía no aplica a accesorios o a daños causados por reparaciones realizadas o intentadas por terceros. Esta garantía le otorga derechos legales específicos, además de los cuales puede tener otros dependiendo del estado o la provincia en que se encuentre.

Además de la garantía, las herramientas DEWALT están cubiertas por:

1 AÑO DE SERVICIO GRATUITO

DEWALT mantendrá la herramienta y reemplazará las piezas gastadas por su uso normal, sin cobro, en cualquier momento durante un año a contar de la fecha de compra. Los artículos gastados por la clavadora, tales como la unidad de hoja y retorno del impulsador, no están cubiertas.

2 AÑOS DE SERVICIO GRATUITO PARA UNIDADES DE ALIMENTACIÓN DEWALT

DC9071, DC9091, DC9096, DC9280, DC9360, DC9180, DCB120, DCB127, DCB201, DCB203, DCB203BT, DCB207

3 AÑOS DE SERVICIO GRATUITO PARA UNIDADES DE ALIMENTACIÓN DEWALT

DCB200, DCB204, DCB204BT, DCB205

UNIDADES DE BATERÍA DEWALT

La garantía del producto quedará nula si la unidad de batería ha sido alterada de cualquier manera. DEWALT no es responsable de ninguna lesión causada por alteraciones y podría iniciar un procedimiento judicial por fraude de garantía hasta el máximo grado permisible por la ley.

GARANTÍA DE REEMBOLSO DE SU DINERO POR 90 DÍAS

Si no está completamente satisfecho con el desempeño de su máquina herramienta, láser o clavadora DEWALT, cualquiera sea el motivo, podrá devolverlo hasta 90 días de la fecha de compra con su recibo y obtener el reembolso completo de su dinero – sin necesidad de responder a ninguna pregunta.

AMÉRICA LATINA: Esta garantía no se aplica a los productos que se venden en América Latina. Para los productos que se venden en América Latina, debe consultar la información de la garantía específica del país que viene en el empaque, llamar a la compañía local o visitar el sitio Web a fin de obtener esa información.

REEMPLAZO GRATUITO DE LAS ETIQUETAS DE ADVERTENCIAS: Si sus etiquetas de advertencia se vuelven ilegibles o faltan, llame al 1-800-433-9258 (1-800-4-DEWALT) para que se le reemplacen gratuitamente.

DCE150 CABLE CUTTER

MAX CAPACITY:

⚠ WARNING/ADVERTENCIA/AVERTISSEMENT

TO REDUCE THE RISK OF INJURY, USER MUST READ INSTRUCTION MANUAL. USE ONLY WITH DEWALT BATTERIES. ALWAYS USE PROPER EYE AND RESPIRATORY PROTECTION. / PARA EL MANEJO SIGUENO LEA EL MANUAL DE INSTRUCCIONES. PARA REDUCIR EL RIESGO DE LESIONES, UTILICE LAS BATERÍAS DEWALT SOLAMENTE. SIEMPRE SE DEBERA LLEVAR LA PROTECCIÓN APROPIADA PARA LA VISTA Y PARA LAS VÍAS RESPIRATORIAS. / À TITRE PRÉVENTIF, LIRE LE GUIDE. APIN DE MINIMISER LES RISQUES DE COUPER, UTILISEZ SEULEMENT AVEC DES PILES DEWALT. IL FAUT TOUJOURS PORTER DE L'ÉQUIPEMENT DE PROTECTION OCULAIRE ET RESPIRATOIRE APPROPRIÉ.

⚠ DANGER/PELIGRO

DO NOT CUT LIVE CABLES. KEEP AWAY FROM MOVING PARTS. NO CORTE CABLES CONECTADOS. GUARDE MANTENGASE ALEJADO DE LAS PIEZAS EN MOVIMIENTO. NE PAS COUPER DES CABLES SOUS TENSION. SE PROTEGER DES PIÉCES MOBILES.

DEWALT TOOL CORP.
TOWSON, MD 21286 USA
FOR SERVICE REPRESENTATION,
CALL 1-800-4-DEWALT www.DEWALT.com

SEE

EESPECIFICACIONES

DCE150

20 V Máx*

SOLAMENTE PARA PROPÓSITO DE MÉXICO:
IMPORTADO POR: DEWALT INDUSTRIAL TOOL CO. S.A. DE C.V.
AVENIDA ANTONIO DOVALI JAIME, # 70 TORRE B PISO 9
COLONIA LA FE, SANTA FÉ
CÓDIGO POSTAL : 01210
DELEGACIÓN ALVARO OBREGÓN
MÉXICO D.F.
TEL. (52) 555-326-7100
R.F.C.: BDE810626-1W7

**Para servicio y ventas consulte
“HERRAMIENTAS ELECTRICAS”
en la sección amarilla.**



DeWALT Battery and Charger Systems

Chargers/Charge Time (Minutes) – Chargeurs/Durée de charge (Minutes) – Cargadores de baterías/Tiempo de carga (Minutos)

Battery Cat #	Output Voltage	120 Volts																			12 Volts							
		DC011	DC022	DC9000	DC9310	DC9320	DC8095	DCB100	DCB101	DCB102	DCB103	DCB107	DCB112	DCB113	DCB114	DCB115	DW9111	DW9106	DW9107	DW9108	DW9116	DW9117	DW9118	DW9216	DW9226	DCB119	DW0249	DW9109
DCB404	40	X	X	X	X	X	X	X	X	X	X	X	X	90	X	X	X	X	X	X	X	X	X	X	X	X	X	X
DCB406	40	X	X	X	X	X	X	X	X	X	X	X	X	130	X	X	X	X	X	X	X	X	X	X	X	X	X	X
DC9360	36	X	X	45	X	X	X	X	X	X	X	X	X	X	X	X	X	X	X	X	X	X	X	X	X	X	X	X
DCB361	36	X	X	45	X	X	X	X	X	X	X	X	X	X	X	X	X	X	X	X	X	X	X	X	X	X	X	X
DC9280	28	X	X	60	X	X	X	X	X	X	X	X	X	X	X	X	X	X	X	X	X	X	X	X	X	X	X	X
DW0342	24	X	X	X	X	X	X	X	X	X	X	X	X	X	X	X	X	X	X	X	X	X	X	X	X	60	X	X
DCB200	20	X	X	X	X	X	X	X	60	60	140	90	67	X	60	X	X	X	X	X	X	X	X	X	X	90	X	X
DCB201	20	X	X	X	X	X	X	X	30	30	30	70	45	35	X	30	X	X	X	X	X	X	X	X	45	X	X	X
DCB203/BT*	20	X	X	X	X	X	X	X	35	35	35	90	60	45	X	35	X	X	X	X	X	X	X	X	60	X	X	X
DCB204/BT*	20	X	X	X	X	X	X	X	70	70	70	185	120	90	X	70	X	X	X	X	X	X	X	X	120	X	X	X
DCB205	20	X	X	X	X	X	X	X	90	90	90	240	150	112	X	90	X	X	X	X	X	X	X	X	150	X	X	X
DCB207	20	X	X	X	X	X	X	X	30	30	30	60	40	X	30	X	X	X	X	X	X	X	X	X	X	X	X	X
DC9096	18	60	60	X	60	60	X	X	X	X	60	X	X	X	X	60	X	X	60	60	20	X	60	130	X	X	60	60
DC9099	18	45	45	X	45	45	X	X	X	X	45	X	X	X	X	45	X	X	45	45	15	X	45	95	X	X	45	45
DC9180	18	X	X	X	60	60	X	X	X	X	60	X	X	X	X	X	X	X	X	X	X	X	X	X	X	X	X	40
DC9181	18	X	X	X	30	30	X	X	X	X	30	X	X	X	X	X	X	X	X	X	X	X	X	X	X	X	X	30
DC9182	18	X	X	X	40	40	X	X	X	X	40	X	X	X	X	X	X	X	X	X	X	X	X	X	X	X	X	40
DW9096	18	60	60	X	60	60	X	X	X	X	60	X	X	X	X	60	X	X	60	60	20	X	60	130	X	X	60	60
DW9098	18	30	30	X	30	30	X	X	X	X	30	X	X	X	X	30	X	X	30	30	12	X	30	60	X	X	30	30
DW9099	18	45	45	X	45	45	X	X	X	X	45	X	X	X	X	45	X	X	45	45	15	X	45	95	X	X	45	45
DC9091	14.4	60	60	X	60	60	X	X	X	X	60	X	X	X	X	60	90	60	60	60	20	115	60	115	X	X	60	60
DC9094	14.4	45	45	X	45	45	X	X	X	X	45	X	X	X	X	45	60	45	45	45	15	90	45	90	X	X	45	45
DW9091	14.4	45	45	X	45	45	X	X	X	X	45	X	X	X	X	45	60	45	45	45	15	90	45	90	X	X	45	45
DW9094	14.4	30	30	X	30	30	X	X	X	X	30	X	X	X	X	30	45	30	30	30	12	60	30	60	X	X	30	30
DCB120	12	X	X	X	X	X	40	30	30	30	60	45	35	X	30	X	X	X	X	X	X	X	X	X	45	X	X	X
DCB127	12	X	X	X	X	X	X	35	35	35	90	60	50	X	35	X	X	X	X	X	X	X	X	X	60	X	X	X
DC9071	12	60	60	X	60	60	X	X	X	X	60	X	X	X	X	60	90	60	60	60	20	115	60	115	X	X	60	60
DW9050	12	X	X	X	X	X	X	X	X	X	X	X	X	X	X	X	40	X	X	X	X	X	X	X	X	X	X	X
DW9071	12	45	45	X	45	45	X	X	X	X	45	X	X	X	X	45	60	45	45	45	15	90	45	90	X	X	45	45
DW9072	12	30	30	X	30	30	X	X	X	X	30	X	X	X	X	30	45	30	30	30	12	60	30	60	X	X	30	30
DW9048	9.6	X	X	X	X	X	X	X	X	X	X	X	X	X	X	X	40	X	X	X	X	X	X	X	X	X	X	X
DW9061	9.6	45	45	X	45	45	X	X	X	X	45	X	X	X	X	45	60	45	45	45	15	90	45	90	X	X	45	45
DW9062	9.6	30	30	X	30	30	X	X	X	X	30	X	X	X	X	30	45	30	30	30	12	60	30	60	X	X	30	30
DCB080	8	X	X	X	X	X	60	X	X	X	X	X	X	X	X	X	X	X	X	X	X	X	X	X	X	X	X	X
DW9057	7.2	30	30	X	30	30	X	X	X	X	30	X	X	X	X	30	45	30	30	30	12	60	30	60	X	X	30	30

BT - Bluetooth

NOTE: The Bluetooth® word mark and logos are registered trademarks owned by the Bluetooth® SIG, Inc. and any use of such marks by DeWALT is under license. Other trademarks and trade names are those of their respective owners.

"X" Indicates that the battery pack is not compatible with that specific charger. All charge times are approximate. Actual charge time may vary. Read the instruction manual for more specific information.

"X" indique que le bloc-piles n'est pas compatible avec ce chargeur. Les durées de charge sont approximatives; la durée de charge réelle peut varier. Lire le manuel d'utilisation pour obtenir des renseignements plus précis.

Una "X" indica que el paquete de baterías no es compatible con ese determinado cargador. El tiempo de duración de carga es aproximado; la duración de carga real puede variar. Lea el manual de instrucciones para obtener información más precisa.

* Maximum initial battery voltage (measured without a workload) is 20 volts. Nominal voltage is 18.

* La tension initiale maximum du bloc-piles (mesurée à vide) est de 20 volts. La tension nominale est de 18.

* El máximo voltaje inicial de la batería (medido sin carga de trabajo) es 20 voltios. El voltaje nominal es de 18.

DeWALT Industrial Tool Co., 701 East Joppa Road, Towson, MD 21286
(FEB16) Part No. N464539 DCE150 Copyright © 2016 DeWALT

The following are trademarks for one or more DeWALT power tools: the yellow and black color scheme; the "D" shaped air intake grill; the array of pyramids on the hand-grip; the kit box configuration; and the array of lozenge-shaped humps on the surface of the tool.