

*If you have questions or comments, contact us.  
Pour toute question ou tout commentaire, nous contacter.  
Si tiene dudas o comentarios, contáctenos.*

**1-800-4-DEWALT • [www.dewalt.com](http://www.dewalt.com)**

**INSTRUCTION MANUAL  
GUIDE D'UTILISATION  
MANUAL DE INSTRUCCIONES**

INSTRUCTIVO DE OPERACIÓN, CENTROS DE SERVICIO Y PÓLIZA DE GARANTÍA. **ADVERTENCIA:** LÉASE ESTE INSTRUCTIVO ANTES DE USAR EL PRODUCTO.

**DEWALT®**

**DCS372**

**18V 5-1/2" (140 mm) Cordless Metal-Cutting Circular Saw**

**Scie circulaire à métaux sans fil, 140 mm (5-1/2 po) et 18 V**

**Sierra circular inalámbrica de 18 V 140 mm (5,5 pulg.) para corte de metal**



### Definitions: Safety Guidelines

The definitions below describe the level of severity for each signal word. Please read the manual and pay attention to these symbols.

**⚠DANGER:** Indicates an imminently hazardous situation which, if not avoided, **will** result in **death or serious injury**.

**⚠WARNING:** Indicates a potentially hazardous situation which, if not avoided, **could** result in **death or serious injury**.

**⚠CAUTION:** Indicates a potentially hazardous situation which, if not avoided, **may** result in **minor or moderate injury**.

**NOTICE:** Indicates a practice **not related to personal injury** which, if not avoided, **may** result in **property damage**.

IF YOU HAVE ANY QUESTIONS OR COMMENTS ABOUT THIS OR ANY DEWALT TOOL, CALL US TOLL FREE AT: **1-800-4-DEWALT (1-800-433-9258)**.



**WARNING:** To reduce the risk of injury, read the instruction manual.

### General Power Tool Safety Warnings



**WARNING!** Read all safety warnings and all instructions. Failure to follow the warnings and instructions may result in electric shock, fire and/or serious injury.

### SAVE ALL WARNINGS AND INSTRUCTIONS FOR FUTURE REFERENCE

The term "power tool" in the warnings refers to your mains-operated (corded) power tool or battery-operated (cordless) power tool.

#### 1) WORK AREA SAFETY

- a) **Keep work area clean and well lit.** Cluttered or dark areas invite accidents.
- b) **Do not operate power tools in explosive atmospheres, such as in the presence of flammable liquids, gases or dust.** Power tools create sparks which may ignite the dust or fumes.
- c) **Keep children and bystanders away while operating a power tool.** Distractions can cause you to lose control.

#### 2) ELECTRICAL SAFETY

- a) **Power tool plugs must match the outlet. Never modify the plug in any way. Do not use any adapter plugs with earthed (grounded) power tools.** Unmodified plugs and matching outlets will reduce risk of electric shock.
- b) **Avoid body contact with earthed or grounded surfaces such as pipes, radiators, ranges and refrigerators.** There is an increased risk of electric shock if your body is earthed or grounded.
- c) **Do not expose power tools to rain or wet conditions.** Water entering a power tool will increase the risk of electric shock.
- d) **Do not abuse the cord. Never use the cord for carrying, pulling or unplugging the power tool. Keep cord away from heat, oil, sharp edges or moving parts.** Damaged or entangled cords increase the risk of electric shock.
- e) **When operating a power tool outdoors, use an extension cord suitable for outdoor use.** Use of a cord suitable for outdoor use reduces the risk of electric shock.
- f) **If operating a power tool in a damp location is unavoidable, use a ground fault circuit interrupter (GFCI) protected supply.** Use of a GFCI reduces the risk of electric shock.

### 3) PERSONAL SAFETY

- a) **Stay alert, watch what you are doing and use common sense when operating a power tool. Do not use a power tool while you are tired or under the influence of drugs, alcohol or medication.** A moment of inattention while operating power tools may result in serious personal injury.
- b) **Use personal protective equipment. Always wear eye protection.** Protective equipment such as dust mask, non-skid safety shoes, hard hat, or hearing protection used for appropriate conditions will reduce personal injuries.
- c) **Prevent unintentional starting. Ensure the switch is in the off position before connecting to power source and/or battery pack, picking up or carrying the tool.** Carrying power tools with your finger on the switch or energizing power tools that have the switch on invites accidents.
- d) **Remove any adjusting key or wrench before turning the power tool on.** A wrench or a key left attached to a rotating part of the power tool may result in personal injury.
- e) **Do not overreach. Keep proper footing and balance at all times.** This enables better control of the power tool in unexpected situations.
- f) **Dress properly. Do not wear loose clothing or jewelry. Keep your hair, clothing and gloves away from moving parts.** Loose clothes, jewelry or long hair can be caught in moving parts.
- g) **If devices are provided for the connection of dust extraction and collection facilities, ensure these are connected and properly used.** Use of dust collection can reduce dust-related hazards.

### 4) POWER TOOL USE AND CARE

- a) **Do not force the power tool. Use the correct power tool for your application.** The correct power tool will do the job better and safer at the rate for which it was designed.

- b) **Do not use the power tool if the switch does not turn it on and off.** Any power tool that cannot be controlled with the switch is dangerous and must be repaired.
- c) **Disconnect the plug from the power source and/or the battery pack from the power tool before making any adjustments, changing accessories, or storing power tools.** Such preventive safety measures reduce the risk of starting the power tool accidentally.
- d) **Store idle power tools out of the reach of children and do not allow persons unfamiliar with the power tool or these instructions to operate the power tool.** Power tools are dangerous in the hands of untrained users.
- e) **Maintain power tools. Check for misalignment or binding of moving parts, breakage of parts and any other condition that may affect the power tool's operation. If damaged, have the power tool repaired before use.** Many accidents are caused by poorly maintained power tools.
- f) **Keep cutting tools sharp and clean.** Properly maintained cutting tools with sharp cutting edges are less likely to bind and are easier to control.
- g) **Use the power tool, accessories and tool bits, etc. in accordance with these instructions, taking into account the working conditions and the work to be performed.** Use of the power tool for operations different from those intended could result in a hazardous situation.

### 5) BATTERY TOOL USE AND CARE

- a) **Recharge only with the charger specified by the manufacturer.** A charger that is suitable for one type of battery pack may create a risk of fire when used with another battery pack.
- b) **Use power tools only with specifically designated battery packs.** Use of any other battery packs may create a risk of injury and fire.

- c) **When battery pack is not in use, keep it away from other metal objects, like paper clips, coins, keys, nails, screws, or other small metal objects, that can make a connection from one terminal to another.** Shorting the battery terminals together may cause burns or a fire.
- d) **Under abusive conditions, liquid may be ejected from the battery; avoid contact. If contact accidentally occurs, flush with water. If liquid contacts eyes, additionally seek medical help.** Liquid ejected from the battery may cause irritation or burns.
- 6) **SERVICE**
- a) **Have your power tool serviced by a qualified repair person using only identical replacement parts.** This will ensure that the safety of the power tool is maintained.

### **Safety Instructions for All Saws**

- a) **⚠DANGER: Keep hands away from cutting area and the blade. Keep your second hand on auxiliary handle, or motor housing.** If both hands are holding the saw, they cannot be cut by the blade.
- b) **Do not reach underneath the workpiece.** The guard cannot protect you from the blade below the workpiece.
- c) **Adjust the cutting depth to the thickness of the workpiece.** Less than a full tooth of the blade teeth should be visible below the workpiece.
- d) **Never hold piece being cut in your hands or across your leg. Secure the workpiece to a stable platform.** It is important to support the work properly to minimize body exposure, blade binding, or loss of control.
- e) **Hold power tool by insulated gripping surfaces when performing an operation where the cutting tool may contact hidden wiring.** Contact with a "live" wire will also

make exposed metal parts of the power tool "live" and shock the operator.

- f) **When ripping always use a rip fence or straight edge guide.** This improves the accuracy of cut and reduces the chance of blade binding.
- g) **Always use blades with correct size and shape (diamond versus round) of arbor holes.** Blades that do not match the mounting hardware of the saw will run eccentrically, causing loss of control.
- h) **Never use damaged or incorrect blade washers or bolt.** The blade washers and bolt were specially designed for your saw, for optimum performance and safety of operation.

### **Further Safety Instructions for All Saws**

#### **CAUSES AND OPERATOR PREVENTION OF KICKBACK:**

- Kickback is a sudden reaction to a pinched, bound or misaligned saw blade, causing an uncontrolled saw to lift up and out of the workpiece toward the operator;
- When the blade is pinched or bound tightly by the kerf closing down, the blade stalls and the motor reaction drives the unit rapidly back toward the operator;
- If the blade becomes twisted or misaligned in the cut, the teeth at the back edge of the blade can dig into the top surface of the wood causing the blade to climb out of the kerf and jump back toward the operator.

Kickback is the result of saw misuse and/or incorrect operating procedures or conditions and can be avoided by taking proper precautions as given below:

- a) **Maintain a firm grip with both hands on the saw and position your arms to resist kickback forces. Position your body to either side of the blade, but not in line with the blade.** Kickback could cause the saw to jump backwards,

but kickback forces can be controlled by the operator, if proper precautions are taken.

- b) **When blade is binding, or when interrupting a cut for any reason, release the trigger and hold the saw motionless in the material until the blade comes to a complete stop. Never attempt to remove the saw from the work or pull the saw backward while the blade is in motion or kickback may occur.** Investigate and take corrective actions to eliminate the cause of blade binding.
- c) **When restarting a saw in the workpiece, center the saw blade in the kerf and check that saw teeth are not engaged into the material.** If saw blade is binding, it may walk up or kickback from the workpiece as the saw is restarted.
- d) **Support large panels to minimize the risk of blade pinching and kickback.** Large panels tend to sag under their own weight. Supports must be placed under the panel on both sides, near the line of cut and near the edge of the panel.
- e) **Do not use dull or damaged blades.** Unsharpened or improperly set blades produce narrow kerf causing excessive friction, blade binding and kickback.
- f) **Blade depth and bevel adjusting locking levers must be tight and secure before making cut.** If blade adjustment shifts while cutting, it may cause binding and kickback.
- g) **Use extra caution when sawing into existing walls or other blind areas.** The protruding blade may cut objects that can cause kickback.

#### LOWER GUARD SAFETY INSTRUCTIONS

- a) **Check lower guard for proper closing before each use. Do not operate the saw if lower guard does not move freely and close instantly. Never clamp or tie the lower guard into the open position.** If saw is accidentally dropped, lower guard may be bent. Raise the lower guard with the retracting

handle and make sure it moves freely and does not touch the blade or any other part, in all angles and depths of cut.

- b) **Check the operation of the lower guard spring. If the guard and the spring are not operating properly, they must be serviced before use.** Lower guard may operate sluggishly due to damaged parts, gummy deposits, or a build-up of debris.
- c) **Lower guard should be retracted manually only for special cuts such as “plunge cuts” and “compound cuts.” Raise lower guard by retracting handle and as soon as blade enters the material, the lower guard must be released.** For all other sawing, the lower guard should operate automatically.
- d) **Always observe that the lower guard is covering the blade before placing saw down on bench or floor.** An unprotected, coasting blade will cause the saw to walk backwards, cutting whatever is in its path. Be aware of the time it takes for the blade to stop after switch is released.

**NOTE:** Although the above information references wood, this saw is only to be used to cut metal. Kickback can occur when cutting metal.

#### Additional Specific Safety Instructions for Circular Saws

- ⚠ **WARNING: Do not use abrasive wheels or blades.**
- ⚠ **WARNING: Do not use water feed attachments.**
- ⚠ **CAUTION: Do not attempt to cut stainless steel, rebar, hardened or heat-treated steel, cast iron, masonry or unknown materials**
  - **Use clamps or another practical way to secure and support the workpiece to a stable platform.** Holding the work by hand or against your body leaves it unstable and may lead to loss of control.

- **Keep your body positioned to either side of the blade, but not in line with the saw blade.** KICKBACK could cause the saw to jump backwards (see **Causes and Operator Prevention of Kickback and KICKBACK**).

- **Air vents often cover moving parts and should be avoided.** Loose clothes, jewelry or long hair can be caught in moving parts.

**⚠ WARNING: ALWAYS** use safety glasses. Everyday eyeglasses are NOT safety glasses. Also use face or dust mask if cutting operation is dusty. ALWAYS WEAR CERTIFIED SAFETY EQUIPMENT:

- ANSI Z87.1 eye protection (CAN/CSA Z94.3),
- ANSI S12.6 (S3.19) hearing protection,
- NIOSH/OSHA/MSHA respiratory protection.

**⚠ WARNING:** Some dust created by power sanding, sawing, grinding, drilling, and other construction activities contains chemicals known to the State of California to cause cancer, birth defects or other reproductive harm. Some examples of these chemicals are:

- lead from lead-based paints,
- crystalline silica from bricks and cement and other masonry products, and
- arsenic and chromium from chemically-treated lumber.

Your risk from these exposures varies, depending on how often you do this type of work. To reduce your exposure to these chemicals: work in a well ventilated area, and work with approved safety equipment, such as those dust masks that are specially designed to filter out microscopic particles.

- **Avoid prolonged contact with dust from power sanding, sawing, grinding, drilling, and other construction activities. Wear protective clothing and wash exposed areas with soap and water.** Allowing dust to get into your mouth, eyes, or lay on the skin may promote absorption of harmful chemicals.

**⚠ WARNING:** Use of this tool can generate and/or disperse dust, which may cause serious and permanent respiratory or other

injury. Always use NIOSH/OSHA approved respiratory protection appropriate for the dust exposure. Direct particles away from face and body.

**⚠ WARNING: Always wear proper personal hearing protection that conforms to ANSI S12.6 (S3.19) during use.** Under some conditions and duration of use, noise from this product may contribute to hearing loss.

**⚠ CAUTION: When not in use, place circular saw on a stable surface, shoe side down, where it will not cause a tripping or falling hazard.** Some tools with large battery packs will stand upright on the battery pack but may be easily knocked over.

- The label on your tool may include the following symbols. The symbols and their definitions are as follows:

V..... volts	A..... amperes
Hz..... hertz	W..... watts
min ..... minutes	~ or AC..... alternating current
=== or DC... direct current	⚡ or AC/DC... alternating or direct current
⚠..... Class I Construction (grounded)	⊜..... no load speed
□..... Class II Construction (double insulated)	n..... rated speed
.../min ..... per minute	⊕..... earthing terminal symbol
BPM..... beats per minute	⚠..... safety alert symbol
IPM..... impacts per minute	
RPM..... revolutions per minute	
sfpm ..... surface feet per minute	
SPM..... strokes per minute	

## Important Safety Instructions for All Battery Packs

When ordering replacement battery packs, be sure to include the catalog number and voltage. Consult the chart at the end of this manual for compatibility of chargers and battery packs.

The battery pack is not fully charged out of the carton. Before using the battery pack and charger, read the safety instructions below. Then follow charging procedures outlined.

### READ ALL INSTRUCTIONS

- **Do not charge or use battery in explosive atmospheres, such as in the presence of flammable liquids, gases or dust.** Inserting or removing the battery from the charger may ignite the dust or fumes.
- **NEVER force battery pack into charger. DO NOT modify battery pack in any way to fit into a non-compatible charger as battery pack may rupture causing serious personal injury.** Consult the chart at the end of this manual for compatibility of batteries and chargers.
- Charge the battery packs only in DEWALT chargers.
- **DO NOT splash or immerse in water or other liquids.**
- **Do not store or use the tool and battery pack in locations where the temperature may reach or exceed 105 °F (40 °C) (such as outside sheds or metal buildings in summer).**

**⚠ DANGER:** Electrocutation hazard. Never attempt to open the battery pack for any reason. If battery pack case is cracked or damaged, do not insert into charger. Do not crush, drop or damage battery pack. Do not use a battery pack or charger that has received a sharp blow, been dropped, run over or damaged in any way (i.e., pierced with a nail, hit with a hammer, stepped on). Electric shock or electrocution may result. Damaged battery packs should be returned to service center for recycling.

**NOTE:** Battery storage and carrying caps are provided for use whenever the battery is out of the tool or charger. Remove cap before placing battery in charger or tool.



**⚠ WARNING: Fire hazard. Do not store or carry battery so that metal objects can contact exposed battery terminals.** For example, do not place battery in aprons, pockets, tool boxes, product kit boxes, drawers, etc., with loose nails, screws, keys, etc. without battery cap. **Transporting batteries can possibly cause fires if the battery terminals inadvertently come in contact with conductive materials such as keys, coins, hand tools and the like.** The U.S. Department of Transportation Hazardous Material Regulations (HMR) actually prohibit transporting batteries in commerce or on airplanes (i.e., packed in suitcases and carry-on luggage) UNLESS they are properly protected from short circuits. So when transporting individual batteries, make sure that the battery terminals are protected and well insulated from materials that could contact them and cause a short circuit.

### SPECIFIC SAFETY INSTRUCTIONS FOR NICKEL CADMIUM (NiCd) OR NICKEL METAL HYDRIDE (NiMH)

- **Do not incinerate the battery pack even if it is severely damaged or is completely worn out.** The battery pack can explode in a fire.
- **A small leakage of liquid from the battery pack cells may occur under extreme usage or temperature conditions.** This does not indicate a failure. However, if the outer seal is broken:
  - a. and the battery liquid gets on your skin, immediately wash with soap and water for several minutes.
  - b. and the battery liquid gets into your eyes, flush them with clean water for a minimum of 10 minutes and seek immediate



medical attention. (**Medical note:** The liquid is 25–35% solution of potassium hydroxide.)

#### **SPECIFIC SAFETY INSTRUCTIONS FOR LITHIUM ION (Li-Ion)**

- **Do not incinerate the battery pack even if it is severely damaged or is completely worn out.** The battery pack can explode in a fire. Toxic fumes and materials are created when lithium ion battery packs are burned.
- **If battery contents come into contact with the skin, immediately wash area with mild soap and water.** If battery liquid gets into the eye, rinse water over the open eye for 15 minutes or until irritation ceases. If medical attention is needed, the battery electrolyte is composed of a mixture of liquid organic carbonates and lithium salts.
- **Contents of opened battery cells may cause respiratory irritation.** Provide fresh air. If symptoms persist, seek medical attention.

**⚠ WARNING:** Burn hazard. Battery liquid may be flammable if exposed to spark or flame.

#### **The RBRC™ Seal**

The RBRC™ (Rechargeable Battery Recycling Corporation) Seal on the nickel cadmium, nickel metal hydride or lithium ion batteries (or battery packs) indicate that the costs to recycle these batteries (or battery packs) at the end of their useful life have already been paid by DEWALT. In some areas, it is illegal to place spent nickel cadmium, nickel metal hydride or lithium ion batteries in the trash or municipal solid waste stream and the RBRC program provides an environmentally conscious alternative.

RBRC™ in cooperation with DEWALT and other battery users, has established programs in the United States and Canada to facilitate the collection of spent nickel cadmium, nickel metal hydride or lithium



ion batteries. Help protect our environment and conserve natural resources by returning the spent nickel cadmium, nickel metal hydride or lithium ion batteries to an authorized DEWALT service center or to your local retailer for recycling. You may also contact your local recycling center for information on where to drop off the spent battery. RBRC™ is a registered trademark of the Rechargeable Battery Recycling Corporation.

### **Important Safety Instructions for All Battery Chargers**

**SAVE THESE INSTRUCTIONS:** This manual contains important safety and operating instructions for battery chargers.

- Before using charger, read all instructions and cautionary markings on charger, battery pack, and product using battery pack.

**⚠ DANGER:** Electrocutation hazard. 120 volts are present at charging terminals. Do not probe with conductive objects. Electric shock or electrocution may result.

**⚠ WARNING:** Shock hazard. Do not allow any liquid to get inside charger. Electric shock may result.

**⚠ CAUTION:** Burn hazard. To reduce the risk of injury, charge only DEWALT rechargeable batteries. Other types of batteries may burst causing personal injury and damage.

**NOTICE:** Under certain conditions, with the charger plugged in to the power supply, the exposed charging contacts inside the charger can be shorted by foreign material. Foreign materials of a conductive nature such as, but not limited to, grinding dust, metal chips, steel wool, aluminum foil, or any buildup of metallic particles should be kept away from charger cavities. Always unplug the charger from the power supply when there is no battery pack in the cavity. Unplug charger before attempting to clean.

- **DO NOT attempt to charge the battery pack with any chargers other than the ones in this manual.** The charger and battery pack are specifically designed to work together.
- **These chargers are not intended for any uses other than charging DEWALT rechargeable batteries.** Any other uses may result in risk of fire, electric shock or electrocution.
- **Do not expose charger to rain or snow.**
- **Pull by plug rather than cord when disconnecting charger.** This will reduce risk of damage to electric plug and cord.
- **Make sure that cord is located so that it will not be stepped on, tripped over, or otherwise subjected to damage or stress.**
- **Do not use an extension cord unless it is absolutely necessary.** Use of improper extension cord could result in risk of fire, electric shock, or electrocution.
- **When operating a power tool outdoors, use an extension cord suitable for outdoor use.** Use of a cord suitable for outdoor use reduces the risk of electric shock.
- **An extension cord must have adequate wire size (AWG or American Wire Gauge) for safety.** The smaller the gauge number of the wire, the greater the capacity of the cable, that is 16 gauge has more capacity than 18 gauge. An undersized cord will cause a drop in line voltage resulting in loss of power and overheating. When using more than one extension to make up the total length, be sure each individual extension contains at least the minimum wire size. The following table shows the correct size to use depending on cord length and nameplate ampere rating. If in doubt, use the next heavier gauge. The smaller the gauge number, the heavier the cord.

Minimum Gauge for Cord Sets						
Ampere Rating		Volts	Total Length of Cord in Feet (meters)			
		120V	25 (7.6)	50 (15.2)	100 (30.5)	150 (45.7)
		240V	50 (15.2)	100 (30.5)	200 (61.0)	300 (91.4)
More Than	Not More Than	AWG				
0	6		18	16	16	14
6	10		18	16	14	12
10	12		16	16	14	12
12	16		14	12	Not Recommended	

- **Do not place any object on top of charger or place the charger on a soft surface that might block the ventilation slots and result in excessive internal heat.** Place the charger in a position away from any heat source. The charger is ventilated through slots in the top and the bottom of the housing.
- **Do not operate charger with damaged cord or plug.**
- **Do not operate charger if it has received a sharp blow, been dropped, or otherwise damaged in any way.** Take it to an authorized service center.
- **Do not disassemble charger; take it to an authorized service center when service or repair is required.** Incorrect reassembly may result in a risk of electric shock, electrocution or fire.
- **Disconnect the charger from the outlet before attempting any cleaning. This will reduce the risk of electric shock.** Removing the battery pack will not reduce this risk.
- **NEVER attempt to connect two chargers together.**
- **The charger is designed to operate on standard 120 volts household electrical power. Do not attempt to use it on any other voltage.** This does not apply to the vehicular charger.

### Using Automatic Tune-Up™ Mode

The automatic Tune-Up™ Mode equalizes or balances the individual cells in the battery pack allowing it to function at peak capacity. Battery packs should be tuned up weekly or after 10 charge/discharge cycles or whenever the pack no longer delivers the same amount of work. To use the automatic Tune-Up™, place the battery pack in the charger and leave it for at least 8 hours. The charger will cycle through the following modes.

1. The red light will blink continuously indicating that the 1-hour charge cycle has started.
2. When the 1-hour charge cycle is complete, the light will stay on continuously and will no longer blink. This indicates that the pack is fully charged and can be used at this time.
3. If the pack is left in the charger after the initial 1-hour charge, the charger will begin the Automatic Tune-Up™ mode. This mode continues up to 8 hours or until the individual cells in the battery pack are equalized. The battery pack is ready for use and can be removed at any time during the Automatic Tune-Up™ mode.
4. Once the Automatic Tune-Up™ mode is complete, the charger will begin a maintenance charge; the red indicator will remain lit.

### Chargers

Your tool uses a DEWALT charger. Be sure to read all safety instructions before using your charger. Consult the chart at the end of this manual for compatibility of chargers and battery packs.

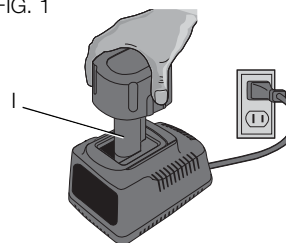
### Charging Procedure (Fig. 1)

**⚠ DANGER:** *Electrocution hazard. 120 volts are present at charging terminals. Do not probe with conductive objects. Electric shock or electrocution may result.*

1. Plug the charger into an appropriate outlet before inserting battery pack.

2. Insert the battery pack (I) into the charger, as shown in Figure 1, making sure the pack is fully seated in charger. The red (charging) light will blink continuously indicating that the charging process has started.
3. The completion of charge will be indicated by the red light remaining on continuously. The pack is fully charged and may be used at this time or left in the charger.

FIG. 1



### Indicator Light Operation

- PACK CHARGING..... [Dashed light bar]
- PACK CHARGED..... [Solid light bar]
- HOT/COLD PACK DELAY..... [Alternating solid and dashed light bar]
- REPLACE PACK..... [Light bar with 12 small circles]
- PROBLEM POWER LINE..... [Light bar with 6 pairs of small circles]

### Charge Indicators

Some chargers are designed to detect certain problems that can arise with battery packs. Problems are indicated by the red light flashing at a fast rate. If this occurs, re-insert battery pack into the charger. If the problem persists, try a different battery pack to determine if the charger is OK. If the new pack charges correctly, then the original

pack is defective and should be returned to a service center or other collection site for recycling. If the new battery pack elicits the same trouble indication as the original, have the charger tested at an authorized service center.

#### **HOT/COLD PACK DELAY**

Some chargers have a Hot/Cold Pack Delay feature: when the charger detects a battery that is hot, it automatically starts a Hot Pack Delay, suspending charging until the battery has cooled. After the battery has cooled, the charger automatically switches to the Pack Charging mode. This feature ensures maximum battery life. The red light flashes long, then short while in the Hot Pack Delay mode.

#### **PROBLEM POWER LINE**

Some chargers have a Problem Power Line indicator. When the charger is used with some portable power sources such as generators or sources that convert DC to AC, the charger may temporarily suspend operation, **flashing the red light with two fast blinks followed by a pause**. This indicates the power source is out of limits.

#### **LEAVING THE BATTERY PACK IN THE CHARGER**

The charger and battery pack can be left connected with the red light glowing indefinitely. The charger will keep the battery pack fresh and fully charged.

**NOTE:** A battery pack will slowly lose its charge when kept out of the charger. If the battery pack has not been kept on maintenance charge, it may need to be recharged before use. A battery pack may also slowly lose its charge if left in a charger that is not plugged into an appropriate AC source.

**WEAK BATTERY PACKS:** Chargers can also detect a weak battery pack. Such batteries are still usable but should not be expected to perform as much work. The charger will indicate to replace battery pack.

### **Important Charging Notes**

1. Longest life and best performance can be obtained if the battery pack is charged when the air temperature is between 65 °F and 75 °F (18 °–24 °C). DO NOT charge the battery pack in an air temperature below +40 °F (+4.5 °C), or above +105 °F (+40.5 °C). This is important and will prevent serious damage to the battery pack.
2. The charger and battery pack may become warm to touch while charging. This is a normal condition, and does not indicate a problem. To facilitate the cooling of the battery pack after use, avoid placing the charger or battery pack in a warm environment such as in a metal shed, or an uninsulated trailer.
3. If the battery pack does not charge properly:
  - a. Check operation of receptacle by plugging in a lamp or other appliance;
  - b. Check to see if receptacle is connected to a light switch which turns power off when you turn out the lights;
  - c. Move charger and battery pack to a location where the surrounding air temperature is approximately 65 °F–75 °F (18 °–24 °C);
  - d. If charging problems persist, take the tool, battery pack and charger to your local service center.
4. The battery pack should be recharged when it fails to produce sufficient power on jobs which were easily done previously. DO NOT CONTINUE to use under these conditions. Follow the charging procedure. You may also charge a partially used pack whenever you desire with no adverse affect on the battery pack.
5. Under certain conditions, with the charger plugged into the power supply, the exposed charging contacts inside the charger can be shorted by foreign material. Foreign materials of a conductive nature such as, but not limited to, grinding dust, metal chips, steel wool, aluminum foil, or any buildup of metallic particles should

be kept away from charger cavities. Always unplug the charger from the power supply when there is no battery pack in the cavity. Unplug charger before attempting to clean.

6. Do not freeze or immerse charger in water or any other liquid.

**⚠ WARNING:** Shock hazard. Don't allow any liquid to get inside charger. Electric shock may result.

**⚠ WARNING:** Burn hazard. Never attempt to open the battery pack for any reason. If the plastic housing of the battery pack breaks or cracks, return to a service center for recycling.

### Storage Recommendations

1. The best storage place is one that is cool and dry away from direct sunlight and excess heat or cold.
2. For long storage, it is recommended to store a fully charged battery pack in a cool dry place out of the charger for optimal results.

**NOTE:** Battery packs should not be stored completely depleted of charge. The battery pack will need to be recharged before use.

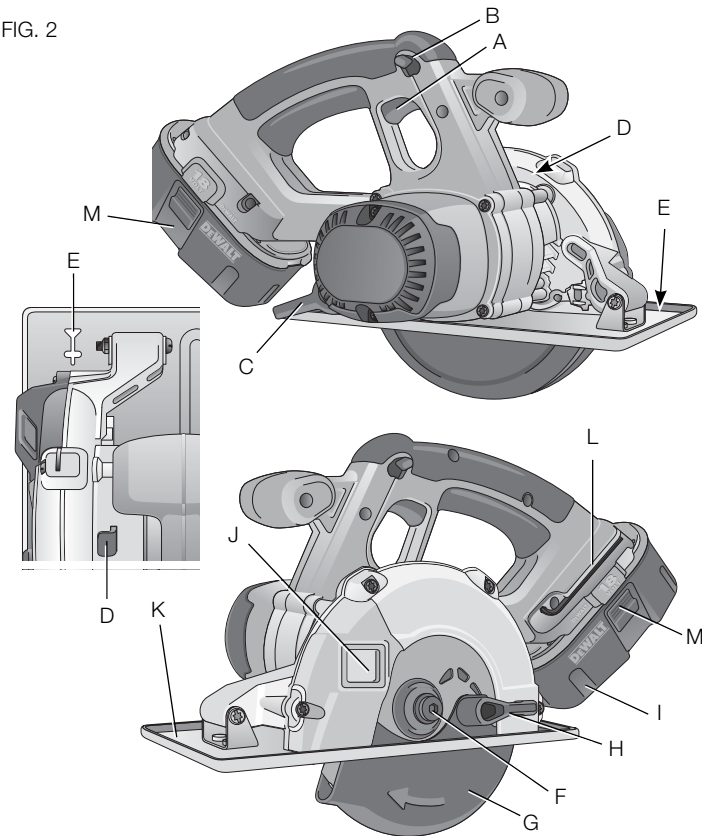
### SAVE THESE INSTRUCTIONS FOR FUTURE USE

### COMPONENTS (Fig. 2)

**⚠ WARNING:** Never modify the power tool or any part of it. Damage or personal injury could result.

- |                                   |                                 |
|-----------------------------------|---------------------------------|
| A. Trigger switch                 | H. Lower guard retracting lever |
| B. Trigger switch lock-off button | I. Battery pack                 |
| C. Depth adjustment lever         | J. Sight window                 |
| D. Blade lock button              | K. Shoe                         |
| E. Kerf indicator                 | L. Blade wrench                 |
| F. Blade clamping screw           | M. Battery release buttons      |
| G. Lower guard                    |                                 |

FIG. 2



English

**INTENDED USE**

This metal cutting circular saw is intended for use by professionals for cutting light gauge metals and small metal structural shapes.

**DO NOT** use under wet conditions or in presence of flammable liquids or gases.

This metal cutting circular saw is a professional power tool. **DO NOT** let children come into contact with the tool. Supervision is required when inexperienced operators use this tool.

**⚠WARNING:** Do not plunge cut or pocket cut with this saw.

**Windows (Fig. 2)**

**⚠WARNING:** Do not operate the saw with a damaged or missing sight window. If window is damaged or missing, have the saw serviced at an authorized service center. If saw is operated without the window, metal chips could fly through the guard and cause personal injury.

**⚠CAUTION:** Do not use oil or cutting fluids with the metal-cutting saw. Do not use cleaning fluids to clean window. Cleaning fluids, cutting fluids or oils could harm the plastic in the window, interfering with the safe operation of the saw.

The saw is equipped with a sight window (J) on the side of the upper guard. This window allows the user to see a cutting line on the material to be cut.

**Saw Shoe (Fig. 2)**

The front of the saw shoe (K) has a kerf indicator (E) that allows the operator to glide the saw along cutting lines. Aligning the cutting line with the notch on the front of the shoe and centering it using the modified V-shaped kerf indicator allows the operator to keep the blade in line with the cutting line. If the cutting line is visible through the narrowest part of the kerf indicator, the blade will pass directly over the cutting line.

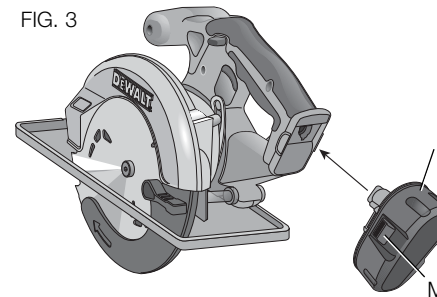
**OPERATION**

**⚠WARNING:** To reduce the risk of injury, turn unit off and disconnect it from power source before installing and removing accessories, before adjusting or when making repairs. An accidental start-up can cause injury.

**Installing and Removing the Battery Pack (Fig. 3)**

**NOTE:** For best results, make sure your battery pack is fully charged.

To install the battery pack (I) into the tool handle, align the notch inside the tool's handle with the battery pack and slide the battery pack firmly into the handle until you hear the lock snap into place as shown in Figure 3.



To remove the battery pack from the tool, press the release buttons (M) and firmly pull the battery pack out of the tool handle. Insert it into the charger as described in the charger section of this manual.

## Switch (Fig. 2)

The saw is controlled by a trigger switch (A) and lock off button (B). The lock off button must be pressed before the trigger switch will turn the saw on. Releasing the trigger turns the saw off.

**NOTE:** This tool has no provision to lock the switch on. The saw should never be locked on by any means.

## Changing Blades (Fig. 1, 4-6)

**⚠WARNING:** To reduce the risk of injury, turn unit off and disconnect it from power source before installing and removing accessories, before adjusting or when making repairs. An accidental start-up can cause injury.

### TO INSTALL THE BLADE

1. Place inner clamp washer (O) on saw spindle with the large flat surface facing out toward the blade (Fig. 4, 5).
2. Retract the lower blade guard (G) and place blade on saw spindle against the inner clamp washer (O), making sure that the blade will rotate in the proper direction (the direction of the rotation arrow on the saw blade and the teeth must point in the same direction as the direction of rotation arrow on the saw). Do not assume that the printing on the blade will always be facing you when properly installed. When retracting the lower blade guard to install the blade, check the condition and operation of the lower blade guard to assure that it is working properly. Make sure it moves freely and does not touch the blade or any other part, in all angles and depths of cut.

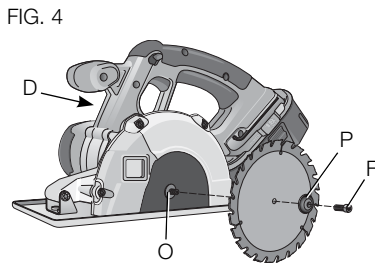
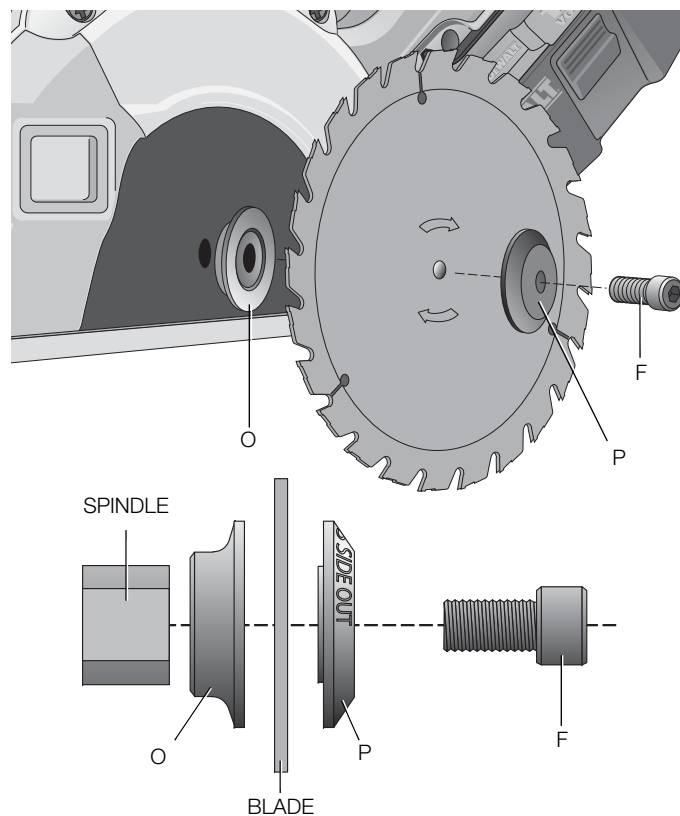


FIG. 5



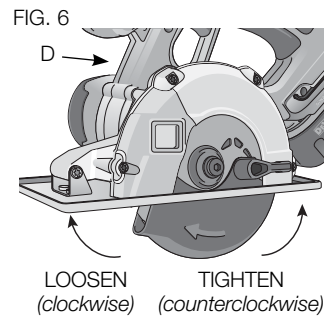
English

3. Place outer clamp washer (P) on saw spindle with the large flat surface against the blade with beveled side facing out.
4. Thread blade clamping screw (F) into saw spindle by hand (screw has left-hand threads and must be turned counterclockwise to tighten) (Fig. 6).
5. Depress the blade lock button (D) while turning the saw spindle with the blade wrench (L, Fig. 1) until the blade lock engages and the blade stops rotating.
6. Tighten the blade clamping screw firmly with the blade wrench.

**NOTICE:** Never engage the blade lock while saw is running, or engage in an effort to stop the tool. Never turn the saw on while the blade lock is engaged. Serious damage to your saw will result.

#### TO REPLACE THE BLADE

1. To loosen the blade clamping screw (F), depress the blade lock button (D) and turn the saw spindle with the blade wrench until the blade lock engages and the blade stops rotating. With the blade lock engaged, turn the blade clamping screw clockwise with the blade wrench (screw has left-hand threads and must be turned clockwise to loosen).
2. Remove the blade clamping screw (F) and outer clamp washer (P) only. Remove old blade.
3. Clean any metal chips/shavings that may have accumulated in the guard or clamp washer area and check the condition and operation of the lower blade guard as previously outlined. Do not lubricate this area.



4. Select the proper blade for the application (see **Blades**). Always use blades that are the correct size (diameter) with the proper size and shape center hole for mounting on the saw spindle. Always assure that the maximum recommended speed (rpm) on the saw blade meets or exceeds the speed (rpm) of the saw.
5. Follow steps 2 through 6 under **To Install the Blade**, making sure that the blade will rotate in the proper direction.

#### LOWER BLADE GUARD

**⚠ WARNING:** The lower blade guard is a safety feature which reduces the risk of serious personal injury. Never use the saw if the lower guard is missing, damaged, misassembled or not working properly. Do not rely on the lower blade guard to protect you under all circumstances. Your safety depends on following all warnings and precautions as well as proper operation of the saw. Check lower guard for proper closing before each use as outlined in Additional Safety Rules for Circular Saws. If the lower blade guard is missing or not working properly, have the saw serviced before using. To assure product safety and reliability, repair, maintenance and adjustment should be performed by an authorized service center or other qualified service organization, always using identical replacement parts.

**⚠ WARNING:** Under certain conditions of use, metal chips may become imbedded in the surfaces of the lower guard, causing the lower guard to rub against the upper guard. Check the operation of the lower guard before each use and remove any imbedded chips.

#### Blades

**⚠ WARNING:** To minimize the risk of eye injury, always use eye protection. Carbide is a hard but brittle material. Foreign objects in the workpiece such as wire or nails can cause tips to crack or break.



Only operate saw when proper saw blade guard is in place. Mount blade securely in proper rotation before using, and always use a clean, sharp blade.

Blade	Diameter	Teeth	Application
DWA7770	5-1/2" (140 mm)	30	General purpose ferrous metal cutting

If you need assistance regarding blades, please call 1-800-4-DEWALT (1-800-433-9258).

**KICKBACK**

Kickback is a sudden reaction to a pinched, bound or misaligned saw blade, causing an uncontrolled saw to lift up and out of the workpiece toward the operator. When the blade is pinched or bound tightly by the kerf closing down, the blade stalls and the motor reaction drives the unit rapidly back toward the operator. If the blade becomes twisted or misaligned in the cut, the teeth at the back edge of the blade can dig into the top surface of the material causing the blade to climb out of the kerf and jump back toward the operator.

Kickback is more likely to occur when any of the following conditions exists.

**1. IMPROPER WORKPIECE SUPPORT**

- A. Sagging or improper lifting of the cut off piece can cause pinching of the blade and lead to kickback (Fig. 9).
- B. Cutting through material supported at the outer ends only can cause kickback. As the material weakens it sags, closing down the kerf and pinching the blade (Fig. 9).
- C. Cutting off a cantilevered or overhanging piece of material from the bottom up in a vertical direction can cause kickback. The falling cut off piece can pinch the blade.
- D. Cutting off long narrow strips can cause kickback. The cut off strip can sag or twist closing the kerf and pinching the blade.

- E. Snagging the lower guard on a surface below the material being cut momentarily reduces operator control. The saw can lift partially out of the cut increasing the chance of blade twist.

**2. IMPROPER DEPTH OF CUT SETTING ON SAW**

To make the most efficient cut, the blade should protrude only far enough to expose a tooth as shown in Figure 8. This allows the shoe to support the blade and minimizes twisting and pinching in the material. See the section titled **Cutting Depth Adjustment**.

**3. BLADE TWISTING (MISALIGNMENT IN CUT)**

- A. Pushing harder to cut can cause the blade to twist.
- B. Trying to turn the saw in the cut (trying to get back on the marked line) can cause blade twist.
- C. Overreaching or operating the saw with poor body control (out of balance), can result in twisting the blade.
- D. Changing hand grip or body position while cutting can result in blade twist.
- E. Backing up the saw to clear blade can lead to twist.

**4. USE OF DULL OR DIRTY BLADES**

Dull blades cause increased loading of the saw. To compensate, an operator will usually push harder which further loads the unit and promotes twisting of the blade in the kerf. Worn blades may also have insufficient body clearance which increases the chance of binding and increased loading.

**5. RESTARTING A CUT WITH THE BLADE TEETH JAMMED AGAINST THE MATERIAL**

The saw should be brought up to full operating speed before starting a cut or restarting a cut after the unit has been stopped with the blade in the kerf. Failure to do so can cause stalling and kickback.

Any other conditions which could result in pinching, binding, twisting, or misalignment of the blade could cause kickback. Refer to the sections **Further Safety Instructions for All Saws** and **Blades**

for procedures and techniques that will minimize the occurrence of kickback.

### Depth Adjustment (Fig. 7, 8)

**⚠ WARNING:** To reduce the risk of injury, turn unit off and disconnect it from power source before installing and removing accessories, before adjusting or when making repairs. An accidental start-up can cause injury.

The metal cutting saw is equipped with a pivoting shoe that allows the operator to set the depth of cut. For the most efficient cutting action, set the depth adjustment so that one tooth of the blade projects below the material to be cut. This distance is from the tip of the tooth to the bottom of the gullet in front of the tooth. This keeps blade friction at a minimum, removes metal chips from the cut, results in cooler, faster sawing and reduces the chance of kickback.

FIG. 7

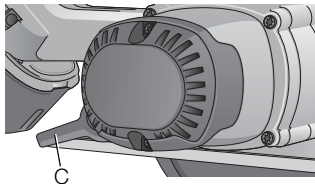
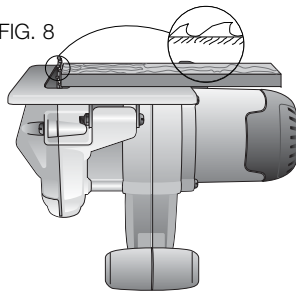


FIG. 8



#### TO SET THE DEPTH OF CUT

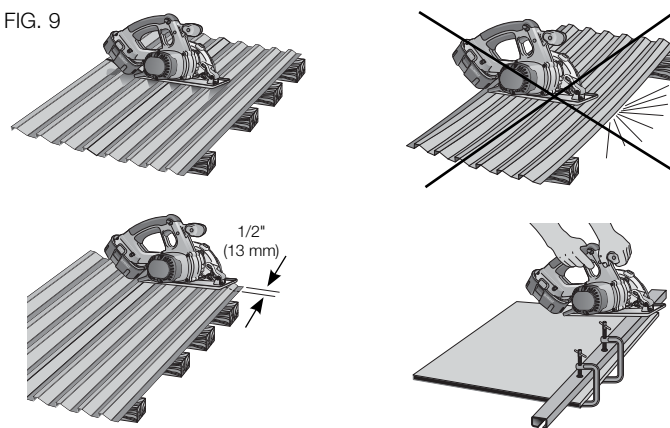
1. Lay the piece of material you plan to cut along the blade as shown.
2. Note how much tooth projects beyond the material.
3. Loosen the depth adjustment lever (C) and move the shoe to change the depth of cut.
4. Retighten the depth adjustment lever securely.

### Workpiece Support (Fig. 9)

#### CUTTING SHEETS OF METAL

Figure 9 shows the correct and incorrect way to support a large sheet. To avoid kickback, support material near the cut. Do not support it away from the cut. If material is supported away from the cut, it will bind the blade and cause kickback. When cutting thin strips, keep the blade at least 1/2" (approximately 13 mm) from the edge of the material. Thin strips may bind, causing kickback and increasing the risk of personal injury.

FIG. 9



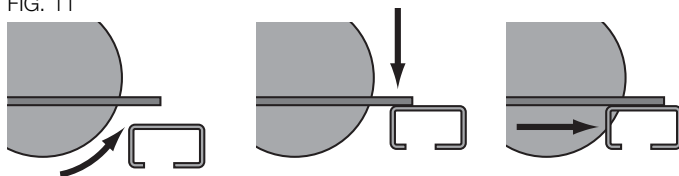
#### CUTTING RECTANGULAR METAL STOCK

Clamp the material you plan to cut to a workbench or other work surface as shown above.

**Cutting (Fig. 10, 11)**

1. Hold the saw securely using both hands. Figure 10 shows appropriate hand position. Keep your body to one side of the line along which you are cutting. This will protect you from injury related to kickback.
2. When cutting ends off of rectangular metal stock, place the widest part of the shoe on the part of the material that is clamped to the workbench or other support, not on the part of the material that will fall when the cut is made.
3. Depress the trigger switch and allow the saw to reach full speed before the blade contacts the material to be cut (Fig. 11).

FIG. 11

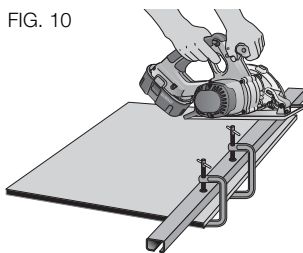


4. Push the saw forward at a speed that allows the blade to cut without laboring.
5. As you finish a cut, release the trigger and allow the blade to stop before lifting the saw from the work. As you lift the saw, the guard will automatically close under the blade.

**CORRECTING A CUT**

Should your cut begin to leave the cutting line, don't try to force it back on. Forcing a correction can stall the saw and cause kickback. Instead, release the switch and allow the blade to come to a complete

FIG. 10



stop. Then, back the saw out of the cut. Restart the saw and re-enter the cut, following the desired cutting line.

**⚠ WARNING:** Do not stack materials for cutting. Do not cut through bolts with the saw. Do not touch the blade, workpiece or metal chips with your bare hand immediately after cutting—they are extremely hot and may burn your skin.

**Maximizing Blade Life**

To extend blade life, follow these practices:

- Do not force the blade through the metal. The saw must cut at its own pace and at a constant rate.
- Change blades when it is no longer easy to push the saw through the cut, when the motor is straining, or when excessive heat is built up in the blade.
- Keep base of the saw firmly against metal you are cutting.
- If the metal you are cutting is vibrating or shaking, clamp the material as close to the cut as possible and slow down the cutting rate.

**MAINTENANCE**

**⚠ WARNING:** To reduce the risk of injury, turn unit off and disconnect it from power source before installing and removing accessories, before adjusting or when making repairs. An accidental start-up can cause injury.

**Replacing Sight Window (Fig. 1)**

**⚠ WARNING:** Do not operate the saw with a damaged or missing sight window. If window is damaged or missing, have the saw serviced at an authorized service center. If the saw is operated without the window, metal chips could fly through the guard and cause personal injury.

The sight window (J) must be replaced by an authorized DEWALT service center.

## **Cleaning**

**⚠ WARNING:** Blow dirt and dust out of all air vents with clean, dry air at least once a week. To minimize the risk of eye injury, always wear ANSI Z87.1 approved eye protection when performing this.

**⚠ WARNING:** Never use solvents or other harsh chemicals for cleaning the non-metallic parts of the tool. These chemicals may weaken the plastic materials used in these parts. Use a cloth dampened only with water and mild soap. Never let any liquid get inside the tool; never immerse any part of the tool into a liquid.

**⚠ CAUTION:** Do not use any cleaning fluids on the sight window to avoid clouding it and compromising the safe operation of the saw. Use compressed air to remove accumulated dust from the inside of the sight window. Wear safety glasses when performing this.

### **CHARGER CLEANING INSTRUCTIONS**

**⚠ WARNING:** Shock hazard. Disconnect the charger from the AC outlet before cleaning. Dirt and grease may be removed from the exterior of the charger using a cloth or soft non-metallic brush. Do not use water or any cleaning solutions.

## **Lubrication**

Self lubricating ball and roller bearings are used in the tool and relubrication is not required. However, it is recommended that, once a year, you take or send the tool to a certified service center for a thorough cleaning, inspection, and lubrication of the gear case.

## **Accessories**

**⚠ WARNING:** Since accessories, other than those offered by DEWALT, have not been tested with this product, use of such accessories with this tool could be hazardous. To reduce the risk of injury, only DEWALT recommended accessories should be used with this product.

Use only 5-1/2" (140 mm) DEWALT metal cutting blades with a 20 mm arbor.

Recommended accessories for use with your tool are available at extra cost from your local dealer or authorized service center. If you need assistance in locating any accessory, please contact DEWALT Industrial Tool Co., 701 East Joppa Road, Baltimore, MD 21286, call 1-800-4-DEWALT (1-800-433-9258) or visit our website: [www.dewalt.com](http://www.dewalt.com).

## **Repairs**

The charger and battery pack are not serviceable.

To assure product SAFETY and RELIABILITY, repairs, maintenance and adjustment (including brush inspection and replacement) should be performed by a DEWALT factory service center, a DEWALT authorized service center or other qualified service personnel. Always use identical replacement parts.

## **Register Online**

Thank you for your purchase. Register your product now for:

- **WARRANTY SERVICE:** Registering your product will help you obtain more efficient warranty service in case there is a problem with your product.
- **CONFIRMATION OF OWNERSHIP:** In case of an insurance loss, such as fire, flood or theft, your registration of ownership will serve as your proof of purchase.
- **FOR YOUR SAFETY:** Registering your product will allow us to contact you in the unlikely event a safety notification is required under the Federal Consumer Safety Act.

Register online at [www.dewalt.com/register](http://www.dewalt.com/register).

### Three Year Limited Warranty

DEWALT will repair, without charge, any defects due to faulty materials or workmanship for three years from the date of purchase. This warranty does not cover part failure due to normal wear or tool abuse. For further detail of warranty coverage and warranty repair information, visit [www.dewalt.com](http://www.dewalt.com) or call 1-800-4-DEWALT (1-800-433-9258). This warranty does not apply to accessories or damage caused where repairs have been made or attempted by others. This warranty gives you specific legal rights and you may have other rights which vary in certain states or provinces.

In addition to the warranty, DEWALT tools are covered by our:

#### 1 YEAR FREE SERVICE

DEWALT will maintain the tool and replace worn parts caused by normal use, for free, any time during the first year after purchase.

#### 2 YEARS FREE SERVICE ON DEWALT BATTERY PACKS

DC9071, DC9091, DC9096, DC9280, DC9360, DC9180, DCB120, DCB201 and DCB203

#### 3 YEARS FREE SERVICE ON DEWALT BATTERY PACKS

DCB200, DCB204

#### DEWALT BATTERY PACKS

Product warranty voided if the battery pack is tampered with in any way. DEWALT is not responsible for any injury caused by tampering and may prosecute warranty fraud to the fullest extent permitted by law.

#### 90 DAY MONEY BACK GUARANTEE

If you are not completely satisfied with the performance of your DEWALT Power Tool, Laser, or Nailer for any reason, you can return it within 90 days from the date of purchase with a receipt for a full refund – no questions asked.

**LATIN AMERICA:** This warranty does not apply to products sold in Latin America. For products sold in Latin America, see country specific warranty information contained in the packaging, call the local company or see website for warranty information.

**FREE WARNING LABEL REPLACEMENT:** If your warning labels become illegible or are missing, call 1-800-4-DEWALT (1-800-433-9258) for a free replacement.

**DCS372** 5 1/2" (140mm) CORDLESS METAL CUTTING CIRCULAR SAW

SER. [REDACTED]

**⚠ DANGER** KEEP HANDS AND BODY AWAY FROM AND TO THE SIDE OF THE BLADE. CONTACT WITH BLADE WILL RESULT IN SERIOUS INJURY.  
⚠ PELIGRO: MANTENGA LAS MANOS Y EL CUERPO ALEJADOS DE LA HOJA Y A UN LADO DE LA MISMA, EL CONTACTO CON LA HOJA PROVOCAR LESIONES GRAVES.  
⚠ DANGER: TENIR LES MAINS ET TOUTE AUTRE PARTIE DU CORPS ÉLOIGNÉES DE LA LAME ET SUR LE CÔTÉ DE CELLE-CI. TOUT CONTACT AVEC LA LAME PEUT ÊTRE CAUSEUR DE GRAVES BLESSURES.

**⚠ WARNING** TO REDUCE THE RISK OF INJURY, USER MUST READ INSTRUCTION MANUAL. CHECK GUARDING SYSTEM. IT MUST COVER BLADE INSTANTLY! HOLD SAW WITH BOTH HANDS. SUPPORT AND CLAMP WORK. WEAR EYE PROTECTION. ALWAYS USE PROPER RESPIRATORY PROTECTION. USE ONLY WITH DEWALT BATTERIES AND CHARGERS. REMOVE BATTERY PACK WHEN CHANGING BLADES OR MAKING ADJUSTMENTS. DO NOT USE CUTTING OIL.  
⚠ ADVERTENCIA: PARA REDUCIR EL RIESGO DE LESIONES, DEBE LEERSE EL MANUAL DE INSTRUCCIONES.  
⚠ AVERTISSEMENT: À TITRE PRÉVENTIF, LIRE LE GUIDE.

**⚠ ADVERTENCIA:** COMPRUEBE EL SISTEMA DE PROTECCIÓN, DEBE CUBRIR LA HOJA AL INSTANTE! SOSTENGA LA SIERRA CON AMBAS MANOS. APOYE Y SUJETE EL TRABAJO. USE PROTECCIÓN OCULAR. USE SIEMPRE PROTECCIÓN RESPIRATORIA ADECUADA. USAR CON BATERIA DEWALT. SAGUE LA UNIDAD DE BATERIA AL CAMBIAR LAS HOJAS O HACER AJUSTES. NO USE ACEITE DE CORTE.

**⚠ AVERTISSEMENT:** VÉRIFIER LE BON FONCTIONNEMENT DU CARTER DE PROTECTION. IL DOIT POUVOIR RECOURVIR LA LAME INSTANTANÉMENT ! MAINTENIR LA SCIE À DEUX MAINS. SOUTENIR ET ARRIMER LE TRAVAIL. PORTER UNE PROTECTION OCULAIRE PORTER SYSTÉMATIQUEMENT UN SYSTÈME DE PROTECTION DES VOIES RESPIRATOIRES ADEQUATES. UTILISER AVEC UN BLOC-PILE DEWALT. RETIRER LE BLOC-PILES AVANT D'CHANGER LA LAME OU D'EFFECTUER DES RÉGLAGES. NE PAS UTILISER D'HUILE DE COUPE.

DEWALT INDUSTRIAL TOOL CO., BALTIMORE, MD 21286 USA  
FOR SERVICE INFORMATION CALL: 1-800-4-DEWALT [www.dewalt.com](http://www.dewalt.com)

English

### Définitions : lignes directrices en matière de sécurité

Les définitions ci-dessous décrivent le niveau de danger pour chaque mot-indicateur employé. Lire le mode d'emploi et porter une attention particulière à ces symboles.

**⚠ DANGER** : indique une situation dangereuse imminente qui, si elle n'est pas évitée, **entraînera la mort ou des blessures graves**.

**⚠ AVERTISSEMENT** : indique une situation potentiellement dangereuse qui, si elle n'est pas évitée, **pourrait entraîner la mort ou des blessures graves**.

**⚠ ATTENTION** : indique une situation potentiellement dangereuse qui, si elle n'est pas évitée, **pourrait entraîner des blessures légères ou modérées**.

**AVIS** : indique une pratique ne posant **aucun risque de dommages corporels** mais qui par contre, si rien n'est fait pour l'éviter, **pourrait poser des risques de dommages matériels**.

POUR TOUTE QUESTION OU REMARQUE AU SUJET DE CET OUTIL OU DE TOUT AUTRE OUTIL DEWALT, COMPOSEZ LE NUMÉRO SANS FRAIS : **1-800-4-DEWALT (1-800-433-9258)**.



**AVERTISSEMENT** : afin de réduire le risque de blessures, lire le mode d'emploi de l'outil.

### Avertissements de sécurité généraux pour les outils électriques



**AVERTISSEMENT!** lire tous les avertissements de sécurité et toutes les directives. Le non-respect des avertissements et des directives pourrait se solder par un choc électrique, un incendie et/ou une blessure grave.

### CONSERVER TOUS LES AVERTISSEMENTS ET TOUTES LES DIRECTIVES POUR UN USAGE ULTÉRIEUR

Le terme « outil électrique » cité dans les avertissements se rapporte à votre outil électrique à alimentation sur secteur (avec fil) ou par piles (sans fil).

#### 1) SÉCURITÉ DU LIEU DE TRAVAIL

- Tenir l'aire de travail propre et bien éclairée.** Les lieux encombrés ou sombres sont propices aux accidents.
- Ne pas faire fonctionner d'outils électriques dans un milieu déflagrant, tel qu'en présence de liquides, de gaz ou de poussières inflammables.** Les outils électriques produisent des étincelles qui pourraient enflammer la poussière ou les vapeurs.
- Éloigner les enfants et les personnes à proximité pendant l'utilisation d'un outil électrique.** Une distraction pourrait en faire perdre la maîtrise à l'utilisateur.

#### 2) SÉCURITÉ EN MATIÈRE D'ÉLECTRICITÉ

- Les fiches des outils électriques doivent correspondre à la prise. Ne jamais modifier la fiche d'aucune façon. Ne jamais utiliser de fiche d'adaptation avec un outil électrique mis à la terre.** Le risque de choc électrique sera réduit par l'utilisation de fiches non modifiées correspondant à la prise.

- b) **Éviter tout contact physique avec des surfaces mises à la terre comme des tuyaux, des radiateurs, des cuisinières et des réfrigérateurs.** Le risque de choc électrique est plus élevé si votre corps est mis à la terre.
- c) **Ne pas exposer les outils électriques à la pluie ou à l'humidité.** La pénétration de l'eau dans un outil électrique augmente le risque de choc électrique.
- d) **Ne pas utiliser le cordon de façon abusive. Ne jamais utiliser le cordon pour transporter, tirer ou débrancher un outil électrique. Tenir le cordon éloigné de la chaleur, de l'huile, des bords tranchants et des pièces mobiles.** Les cordons endommagés ou enchevêtrés augmentent les risques de choc électrique.
- e) **Pour l'utilisation d'un outil électrique à l'extérieur, se servir d'une rallonge convenant à cette application.** L'utilisation d'une rallonge conçue pour l'extérieur réduira les risques de choc électrique.
- f) **S'il est impossible d'éviter l'utilisation d'un outil électrique dans un endroit humide, brancher l'outil dans une prise ou sur un circuit d'alimentation dotés d'un disjoncteur de fuite à la terre (GFCI).** L'utilisation de ce type de disjoncteur réduit les risques de choc électrique.
- 3) SÉCURITÉ PERSONNELLE**
- a) **Être vigilant, surveiller le travail effectué et faire preuve de jugement lorsqu'un outil électrique est utilisé. Ne pas utiliser d'outil électrique en cas de fatigue ou sous l'influence de drogues, d'alcool ou de médicaments.** Un simple moment d'inattention en utilisant un outil électrique peut entraîner des blessures corporelles graves.
- b) **Utiliser des équipements de protection individuelle. Toujours porter une protection oculaire.** L'utilisation d'équipements de protection comme un masque antipoussière, des chaussures antidérapantes, un casque de sécurité ou des protecteurs auditifs lorsque la situation le requiert réduira les risques de blessures corporelles.
- c) **Empêcher les démarrages intempestifs. S'assurer que l'interrupteur se trouve à la position d'arrêt avant de relier l'outil à une source d'alimentation et/ou d'insérer un bloc-piles, de ramasser ou de transporter l'outil.** Transporter un outil électrique alors que le doigt repose sur l'interrupteur ou brancher un outil électrique dont l'interrupteur est à la position de marche risque de provoquer un accident.
- d) **Retirer toute clé de réglage ou clé avant de démarrer l'outil.** Une clé ou une clé de réglage attachée à une partie pivotante de l'outil électrique peut provoquer des blessures corporelles.
- e) **Ne pas trop tendre les bras. Conserver son équilibre en tout temps.** Cela permet de mieux maîtriser l'outil électrique dans les situations imprévues.
- f) **S'habiller de manière appropriée. Ne pas porter de vêtements amples ni de bijoux. Garder les cheveux, les vêtements et les gants à l'écart des pièces mobiles.** Les vêtements amples, les bijoux ou les cheveux longs risquent de rester coincés dans les pièces mobiles.
- g) **Si des composants sont fournis pour le raccordement de dispositifs de dépoussiérage et de ramassage, s'assurer que ceux-ci sont bien raccordés et utilisés.** L'utilisation d'un dispositif de dépoussiérage peut réduire les dangers engendrés par les poussières.

#### 4) UTILISATION ET ENTRETIEN D'UN OUTIL ÉLECTRIQUE

- a) **Ne pas forcer un outil électrique. Utiliser l'outil électrique approprié à l'application.** L'outil électrique approprié effectuera un meilleur travail, de façon plus sûre et à la vitesse pour laquelle il a été conçu.
- b) **Ne pas utiliser un outil électrique dont l'interrupteur est défectueux.** Tout outil électrique dont l'interrupteur est défectueux est dangereux et doit être réparé.
- c) **Débrancher la fiche de la source d'alimentation et/ou du bloc-piles de l'outil électrique avant de faire tout réglage ou changement d'accessoire ou avant de ranger l'outil.** Ces mesures préventives réduisent les risques de démarrage accidentel de l'outil électrique.
- d) **Ranger les outils électriques hors de la portée des enfants et ne permettre à aucune personne n'étant pas familière avec un outil électrique ou son mode d'emploi d'utiliser cet outil.** Les outils électriques deviennent dangereux entre les mains d'utilisateurs inexpérimentés.
- e) **Entretien des outils électriques. Vérifier si les pièces mobiles sont mal alignées ou coincées, si des pièces sont brisées ou présentent toute autre condition susceptible de nuire au bon fonctionnement de l'outil électrique. En cas de dommage, faire réparer l'outil électrique avant toute nouvelle utilisation.** Beaucoup d'accidents sont causés par des outils électriques mal entretenus.
- f) **S'assurer que les outils de coupe sont aiguisés et propres.** Les outils de coupe bien entretenus et affûtés sont moins susceptibles de se coincer et sont plus faciles à maîtriser.

- g) **Utiliser l'outil électrique, les accessoires, les forets, etc. conformément aux présentes directives en tenant compte des conditions de travail et du travail à effectuer.** L'utilisation d'un outil électrique pour toute opération autre que celle pour laquelle il a été conçu est dangereuse.

#### 5) UTILISATION ET ENTRETIEN DU BLOC-PILES

- a) **Ne recharger l'outil qu'au moyen du chargeur précisé par le fabricant.** L'utilisation d'un chargeur qui convient à un type de bloc-piles risque de provoquer un incendie s'il est utilisé avec un autre type de bloc-piles.
- b) **Utiliser les outils électriques uniquement avec les blocs-piles conçus à cet effet.** L'utilisation de tout autre bloc-piles risque de causer des blessures ou un incendie.
- c) **Lorsque le bloc-piles n'est pas utilisé, le tenir éloigné des objets métalliques, notamment des trombones, de la monnaie, des clés, des clous, des vis ou autres petits objets métalliques qui peuvent établir une connexion entre les deux bornes.** Le court-circuit des bornes du bloc-piles risque de provoquer des brûlures ou un incendie.
- d) **En cas d'utilisation abusive, le liquide peut gicler hors du bloc-piles; éviter tout contact avec ce liquide. Si un contact accidentel se produit, laver à grande eau. Si le liquide entre en contact avec les yeux, obtenir également des soins médicaux.** Le liquide qui gicle hors du bloc-piles peut provoquer des irritations ou des brûlures.

#### 6) RÉPARATION

- a) **Faire réparer l'outil électrique par un réparateur professionnel en n'utilisant que des pièces de rechange identiques.** Cela permettra de maintenir une utilisation sécuritaire de l'outil électrique.



## Consignes de sécurité propres à toutes les scies

- a) **⚠DANGER : éloigner les mains des zones et organes de coupe. Maintenir la deuxième main sur la poignée auxiliaire ou le boîtier du moteur.** Lorsque les deux mains maintiennent la scie, la lame ne peut les couper.
- b) **N'essayez pas de tenir le dessous de l'ouvrage.** Le protège-lame ne peut pas vous protéger de la lame en dessous de l'ouvrage.
- c) **Ajustez la profondeur de coupe à l'épaisseur de l'ouvrage.** Moins d'une dent entière de lame devrait être visible en dessous de l'ouvrage.
- d) **Ne tenez jamais dans vos mains ou sur vos genoux un ouvrage qui est en cours de coupe. Fixez votre ouvrage sur une plateforme stable.** Il est important de soutenir correctement l'ouvrage afin de minimiser l'exposition du corps à la lame, le risque de coincement de la lame ou la perte de contrôle de l'outil.
- e) **Tenez l'outil électrique par ses surfaces de préhension isolantes quand vous réalisez une opération au cours de laquelle l'outil de coupe pourrait entrer en contact avec des câbles dissimulés.** Le contact avec un fil sous tension mettra également sous tension toutes les pièces métalliques exposées et donnera un choc électrique à l'utilisateur de l'outil.
- f) **Pendant les coupes de refente, utilisez toujours un guide de refente ou un guide à bord droit.** Ceci augmente toujours l'exactitude de la coupe et diminue la possibilité de coincement de la lame.
- g) **Utilisez toujours des lames dont l'alésage central est de la taille et de la forme appropriées (soit en forme de diamant, soit en forme de rond).** Les lames qui ne

correspondent pas aux pièces de montage de la scie tourneront de façon excentrique, ce qui causera une perte de contrôle de l'outil.

- h) **Ne vous servez jamais de rondelles ou de boulons de lames qui sont endommagés ou inappropriés.** Les rondelles et le boulon de lame ont été conçus spécifiquement pour votre scie dans le but d'assurer une performance optimale et un fonctionnement sans danger.

## Consignes additionnelles de sécurité propres à toutes les scies

### CAUSES DES REBONDS ET MÉTHODES DE PRÉVENTION POUVANT ÊTRE UTILISÉES PAR L'UTILISATEUR :

- Le rebond est une réaction subite (causée par une lame de scie pincée, coincée ou mal alignée) qui peut entraîner le soulèvement d'une scie non contrôlée, sa sortie de l'ouvrage et sa projection en direction de l'utilisateur.
- Si la lame est pincée ou coincée fortement pendant l'abaissement de la scie, la lame se cale et le moteur réagit en entraînant rapidement l'outil vers l'arrière dans la direction de l'opérateur.
- Si la lame se tord ou perd son alignement correct au cours de la coupe, les dents sur le bord arrière de la lame peuvent entamer la surface supérieure du bois, forçant ainsi la lame à sortir du trait de scie et à « sauter » vers l'arrière en direction de l'opérateur.

Le rebond est la conséquence d'une mauvaise utilisation de la scie et/ou de procédures ou de conditions incorrectes, et il peut être évité en prenant les précautions qui sont décrites ci-dessous :

- a) **Maintenez fermement la scie avec vos deux mains et positionnez vos bras de façon à résister aux forces de rebond.** Les forces de rebond peuvent être contrôlées par l'utilisateur quand les précautions appropriées sont prises.

- b) **En cas de coincement de la lame ou d'interruption d'une coupe pour une raison quelconque, relâchez la gâchette et tenez la scie immobile dans l'ouvrage jusqu'à ce que la lame se soit immobilisée complètement. Ne tentez jamais de retirer la scie de l'ouvrage ou de la tirer vers l'arrière pendant que la lame est en mouvement, car un rebond risquerait de se produire.** Évaluez la situation et prenez les mesures correctives nécessaires pour éliminer la cause du coincement de la lame.
- c) **Lorsque vous remettez une scie en marche quand l'ouvrage est présent, centrez la lame de scie dans le trait de scie et vérifiez que les dents de la lame ne sont pas engagées dans le matériau de l'ouvrage.** Si la lame de scie se coince, elle peut grimper hors de l'ouvrage ou rebondir sur celui-ci quand la scie est remise en marche.
- d) **Soutenez les panneaux de grande taille de façon à minimiser le risque de pincement et de rebond de la lame.** Les panneaux de grande taille ont tendance à s'affaisser sous leur propre poids. Des supports doivent être placés des deux côtés sous le panneau, à proximité de la ligne de coupe et à proximité du rebord du panneau.
- e) **N'utilisez pas de lame émoussée ou endommagée.** Des lames non aiguisées ou mal installées produisent un trait de scie étroit qui cause une friction excessive, le coincement de la lame et un effet de rebond.
- f) **Les leviers de réglage de la profondeur et de l'angle de coupe de la lame doivent être bien serrés et assujettis avant de réaliser une coupe.** Une modification du réglage de la lame pendant la coupe risque d'entraîner un coincement et un rebondissement de la lame.
- g) **Prendre des précautions supplémentaires lors de coupes dans des murs existants ou dans toute zone à visibilité réduite.** La lame saillante peut couper des objets, et ceci peut entraîner un rebond.

#### CONSIGNES DE SÉCURITÉ RELATIVES AU PROTÈGE-LAME INFÉRIEUR

- a) **Inspectez le protège-lame inférieur avant chaque utilisation pour vous assurer qu'il se ferme correctement. Ne faites pas fonctionner la scie si le protège-lame inférieur ne se déplace pas librement et ne se ferme pas instantanément. Ne forcez jamais le protège-lame inférieur dans la position ouverte à l'aide d'un collier de serrage ou d'une attache.** Il est possible que le protège-lame inférieur se torde en cas de chute accidentelle de la scie. Soulevez le protège-lame inférieur à l'aide de la poignée rétractable et assurez-vous qu'il se déplace sans problème et qu'il ne touche pas la lame ou une autre pièce, quel que soit l'angle ou la profondeur de la coupe.
- b) **Vérifiez le fonctionnement du ressort du protège-lame inférieur. Si le protège-lame inférieur et le ressort ne fonctionnent pas correctement, ils doivent être réparés avant l'emploi.** Le protège-lame inférieur peut parfois mal fonctionner à cause de pièces endommagées, d'accumulation de résine ou de débris.
- c) **Le protège-lame inférieur doit être rétracté à la main uniquement à l'occasion de coupes spéciales telles que les « coupes en plongée » ou les « coupes composées ».** Soulevez le protège-lame inférieur à l'aide la poignée rétractable et relâchez-le dès que la lame pénètre dans le matériau de l'ouvrage. Pour toute autre opération de sciage, le protège-lame inférieur doit fonctionner automatiquement.
- d) **Vérifiez toujours que le protège-lame inférieur couvre la lame avant de placer la scie sur un banc ou sur le sol.** Une lame non protégée qui tourne librement entraînera le mouvement de la scie en marche arrière, ce qui provoquera la coupe de tout ce qui se trouve sur sa trajectoire. Soyez conscient du temps nécessaire à la lame pour s'arrêter une fois que la gâchette est relâchée.

**REMARQUE :** bien que les directives de sécurité ci-dessus mentionnent le bois, cette scie ne doit être utilisée que pour couper le métal. Lors de la coupe du métal, des rebonds pourraient se produire.

### **Consignes spécifiques additionnelles de sécurité propres aux scies circulaires**

**⚠AVERTISSEMENT :** ne pas utiliser de meules ou de lames abrasives.

**⚠AVERTISSEMENT :** ne pas utiliser des dispositifs d'alimentation en eau.

**⚠ATTENTION :** ne pas tenter de couper l'acier inoxydable, les barres nervurées, l'acier trempé ou traité thermiquement, la fonte, la maçonnerie ou des matériaux inconnus.

- **Utilisez des serres de fixation ou un autre dispositif de fixation permettant de soutenir et de retenir la pièce sur une plate-forme stable.** Tenir la pièce avec la main ou contre son corps n'est pas suffisamment stable et risque de provoquer une perte de maîtrise de l'outil.
- **Se placer à gauche ou à droite de la lame de scie et non dans sa trajectoire.** L'EFFET DE REBOND risque de faire rebondir la scie vers l'arrière (consulter les rubriques **Causes des rebonds et méthodes de prévention pouvant être utilisées par l'utilisateur** et **REBOND**).
- **Prendre des précautions à proximité des événements, car ils cachent des pièces mobiles.** Vêtements amples, bijoux ou cheveux longs risquent de rester coincés dans ces pièces mobiles.

**⚠AVERTISSEMENT :** porter **SYSTEMATIQUÉMENT** des lunettes de protection. Les lunettes courantes NE sont PAS des lunettes de protection. Utiliser aussi un masque antipoussières si la découpe doit en produire beaucoup. **PORTER SYSTEMATIQUÉMENT UN ÉQUIPEMENT DE SÉCURITÉ HOMOLOGUÉ :**

- Protection oculaire ANSI Z87.1 (CAN/CSA Z94.3) ;
- Protection auditive ANSI S12.6 (S3.19) ;
- Protection des voies respiratoires NIOSH/OSHA/MSHA.

**⚠AVERTISSEMENT :** les scies, meules, ponceuses, perceuses ou autres outils de construction peuvent produire des poussières contenant des produits chimiques reconnus par l'État californien pour causer cancers, malformations congénitales ou être nocifs au système reproducteur. Parmi ces produits chimiques, on retrouve :

- Le plomb dans les peintures à base de plomb ;
- La silice cristallisée dans les briques et le ciment, ou autres produits de maçonnerie ; et
- L'arsenic et le chrome dans le bois ayant subi un traitement chimique.

Le risque associé à de telles expositions varie selon la fréquence à laquelle on effectue ces travaux. Pour réduire toute exposition à ces produits : travailler dans un endroit bien aéré, en utilisant du matériel de sécurité homologué, tel un masque antipoussières spécialement conçu pour filtrer les particules microscopiques.

- **Limiter toute exposition prolongée avec les poussières provenant du ponçage, sciage, meulage, perçage ou toute autre activité de construction. Porter des vêtements de protection et nettoyer à l'eau savonneuse les parties du corps exposées.** Le fait de laisser la poussière pénétrer dans la bouche, les yeux ou la peau peut favoriser l'absorption de produits chimiques dangereux.

**⚠AVERTISSEMENT :** cet outil peut produire et/ou répandre de la poussière susceptible de causer des dommages sérieux et permanents au système respiratoire. Utiliser systématiquement un appareil de protection des voies respiratoires homologué par le NIOSH ou l'OSHA. Diriger les particules dans le sens opposé au visage et au corps.

**⚠ AVERTISSEMENT** : pendant l'utilisation, porter systématiquement une protection auditive individuelle adéquate homologuée ANSI S12.6 (S3.19). Sous certaines conditions et suivant la durée d'utilisation, le bruit émanant de ce produit pourrait contribuer à une perte de l'acuité auditive.

**⚠ ATTENTION** : lorsque l'outil n'est pas utilisé, placez la scie circulaire sur une surface stable, semelle de chaussure vers le bas, de manière à ne faire trébucher ou tomber personne.

- L'étiquette apposée sur votre outil peut inclure les symboles suivants. Les symboles et leur définition sont indiqués ci-après :

V..... volts	A..... ampères
Hz..... hertz	W..... watts
min ..... minutes	~ ou AC..... courant
=== ou DC... courant continu	⏚ alternatif
Ⓛ ..... classe I	⏚ ou AC/DC... courant
Ⓛ ..... fabrication	⏚ alternatif
(mis à la terre)	ou continu
Ⓛ ..... fabrication	n <sub>0</sub> ..... vitesse à vide
classe II	n ..... vitesse
(double isolation)	nominale
.../min ..... par minute	⊖ ..... borne de terre
IPM..... impacts par	⚠ ..... symbole
minute	d'avertissement
BPM..... battements par	r/min ..... tours par
minute	minute
sfp <sub>m</sub> ..... pieds linéaires	SPM (FPM) ..... fréquence par
par minute (plpm)	minute

## Consignes de sécurité importantes propres à tous les blocs-piles

Pour commander un bloc-piles de rechange, s'assurer d'inclure son numéro de catalogue et sa tension. Consulter le tableau figurant à la fin du présent mode d'emploi pour connaître la compatibilité des chargeurs et des blocs-piles.

Le bloc-piles n'est pas totalement chargé d'usine. Avant d'utiliser le bloc-piles et le chargeur, lire les consignes de sécurité ci-dessous. Puis suivre la procédure de charge indiquée.

### LIRE TOUTES LES CONSIGNES

- **Ne pas recharger ou utiliser un bloc-piles en milieu déflagrant, en présence, par exemple, de poussières, gaz ou liquides inflammables.** Le fait d'insérer ou retirer un bloc-piles de son chargeur pourrait causer l'inflammation de poussières ou d'émanations.
- **NE JAMAIS forcer l'insertion d'un bloc-piles dans un chargeur. NE modifier un bloc-piles d'AUCUNE façon pour le faire rentrer dans un chargeur incompatible, car il pourrait se briser et causer des dommages corporels graves.** Consulter le tableau en dernière page de ce manuel pour connaître les compatibilités entre chargeurs et blocs-piles.
- Recharger les blocs-piles exclusivement dans des chargeurs DEWALT.
- **NE PAS** éclabousser le bloc-piles ou l'immerger dans l'eau ou dans tout autre liquide.
- **Ne pas entreposer ou utiliser l'appareil et le bloc-piles en présence de températures ambiantes pouvant excéder 40 °C (105 °F) (comme dans des hangars ou des bâtiments métalliques l'été).**

**⚠ DANGER :** risque d'électrocution. Ne jamais ouvrir le bloc-piles pour quelque raison que ce soit. Si le boîtier du bloc-piles est fissuré ou endommagé, ne pas l'insérer dans un chargeur. Ne pas écraser, faire tomber ou endommager le bloc-piles. Ne pas utiliser un bloc-piles ou un chargeur qui a reçu un choc violent, qui est tombé, a été écrasé ou est endommagé de quelque manière que ce soit (p. ex. percé par un clou, frappé d'un coup de marteau, piétiné). En effet, il y a risque de choc électrique ou d'électrocution. Les blocs-piles endommagés doivent être envoyés au centre de réparation pour être recyclés.

**REMARQUE :** un boîtier spécial et des capuchons de sécurité sont fournis avec le bloc-piles pour utilisation chaque fois qu'on le retire de l'outil ou du chargeur pour le ranger ou le transporter. Enlever le capuchon avant de remettre le bloc-piles dans le chargeur ou l'outil.



**⚠ AVERTISSEMENT :** risque d'incendie. Ne pas ranger ni ne transporter les piles de manière à ce que des objets métalliques puissent entrer en contact avec les bornes exposées des piles. On ne doit pas mettre, par exemple, le bloc-piles sans capuchon dans un tablier, une poche, une boîte à outils, une boîte de nécessaire de produit, un tiroir, etc. avec des clous, des vis, des clés, etc. **Le transport des piles peut causer un incendie si les bornes des piles entrent en contact involontairement avec des matières conductrices comme des clés, de la monnaie, des outils manuels et d'autres éléments semblables.** La Hazardous Material Regulations (réglementation sur les produits dangereux) du département américain des transports interdit en fait le transport des blocs-piles pour le commerce et dans les avions (c.-à-d. dans des valises et les bagages à main) À MOINS qu'ils ne soient bien protégés contre les courts-circuits. Pour le transport de piles individuelles, on doit donc s'assurer que les bornes sont protégées et bien isolées contre toute matière pouvant entrer en contact avec elles et provoquer un court-circuit.

#### DIRECTIVES DE SÉCURITÉ SPÉCIFIQUES AUX PILES DE NICKEL-CADMIUM (NICD) OU À L'HYDRURE MÉTALLIQUE DE NICKEL (NIMH)

- **Ne pas incinérer le bloc-piles, même s'il est très endommagé ou complètement usé, car il pourrait exploser au contact de flammes.**
- **Une petite fuite de liquide peut se produire dans les cellules du bloc-piles en cas d'utilisation extrême ou de conditions de température.** Cela n'indique pas de défaillance. Toutefois, si le joint d'étanchéité extérieur est rompu :
  - a. et que le liquide entre en contact avec la peau, laver rapidement la zone touchée au savon et à l'eau pendant plusieurs minutes.
  - b. si le liquide du bloc-piles entre en contact avec les yeux, les rincer abondamment à l'eau propre, pendant un minimum de 10 minutes, et consulter immédiatement un médecin. (**Note médicale :** le liquide est composé d'une solution comprenant de 25 % à 35 % d'hydroxyde de potassium).

#### DIRECTIVES DE SÉCURITÉ SPÉCIFIQUES POUR LES PILES AU LITHIUM-ION (Li-Ion)

- **Ne pas incinérer le bloc-piles même s'il est sévèrement endommagé ou complètement usagé, car il pourrait exploser et causer un incendie.** Pendant l'incinération des blocs-piles au lithium-ion, des vapeurs et matières toxiques sont dégagées.
- **En cas de contact du liquide de la pile avec la peau, rincer immédiatement au savon doux et à l'eau.** En cas de contact oculaire, rincer l'œil ouvert à l'eau claire une quinzaine de minutes ou jusqu'à ce que l'irritation cesse. Si des soins médicaux s'avéraient nécessaires, noter que l'électrolyte de la pile est composé d'un mélange de carbonates organiques liquides et de sels de lithium.

- **Le contenu des cellules d'une pile ouverte peut causer une irritation respiratoire.** En cas d'inhalation, exposer l'individu à l'air libre. Si les symptômes persistent, consulter un médecin.

**⚠AVERTISSEMENT :** risques de brûlure. Le liquide de la pile peut s'enflammer s'il est exposé à des étincelles ou à une flamme.

### Le sceau SRPRC<sup>MC</sup>

Le sceau SRPRC<sup>MC</sup> (Société de recyclage des piles rechargeables au Canada) apposé sur une pile au nickel-cadmium, à hydrure métallique de nickel ou au lithium-ion (ou un bloc-piles) indique que les coûts de recyclage de ces derniers en fin d'utilisation ont déjà été réglés par DEWALT. Dans certaines régions, la mise au rebut ou aux ordures municipales des piles au nickel-cadmium, à l'hydrure métallique de nickel ou au lithium-ion, est illégale ; le programme de SRPRC constitue donc une solution pratique et écologique.

La SRPRC<sup>MC</sup>, en collaboration avec DEWALT et d'autres utilisateurs de piles, a mis sur pied des programmes aux États-Unis et au Canada pour faciliter la collecte des piles au nickel-cadmium, à l'hydrure métallique de nickel ou au lithium-ion usagées. Aidez-nous à protéger l'environnement et à conserver nos ressources naturelles en renvoyant les piles au nickel-cadmium, à l'hydrure métallique de nickel ou au lithium-ion usagées à un centre de réparation autorisé DEWALT ou chez votre détaillant afin qu'elles y soient recyclées. On peut en outre se renseigner auprès d'un centre de recyclage local pour connaître d'autres sites les acceptant.

SRPRC<sup>MC</sup> est une marque déposée de la Société de recyclage des piles rechargeables au Canada.



## Directives de sécurité importantes propres à tous les chargeurs de piles

**CONSERVER CES INSTRUCTIONS :** ce manuel contient des directives de sécurité et d'utilisation importantes propres aux chargeurs de piles.

- Avant d'utiliser le chargeur, lire toute consigne et tout avertissement apposés sur le chargeur, le bloc-piles et le produit utilisant le bloc-piles.

**⚠DANGER :** risque d'électrocution. Les bornes de charge présentent une tension de 120 volts. Ne pas sonder les bornes avec des objets conducteurs. En effet, il y a risque de choc électrique ou d'électrocution.

**⚠AVERTISSEMENT :** risques de chocs électriques. Ne laisser aucun liquide pénétrer dans le chargeur, des chocs électriques pourraient en résulter.

**⚠ATTENTION :** risques de brûlure. Pour réduire tout risque de dommages corporels, ne recharger que des piles rechargeables DEWALT. Tout autre type de piles pourrait exploser et causer des dommages corporels et matériels.

**AVIS :** sous certaines conditions, lorsque les contacts de chargement exposés à l'intérieur du le chargeur est connecté au bloc d'alimentation, des matériaux étrangers pourraient court-circuiter le chargeur. Les corps étrangers conducteurs tels que (mais pas limité à) poussières de rectification, débris métalliques, laine d'acier, feuilles d'aluminium, ou toute accumulation de particules métalliques doivent être maintenus à distance des orifices du chargeur. Débrancher systématiquement le chargeur lorsque le bloc-piles n'y est pas inséré. Débrancher systématiquement le chargeur avant tout entretien.

- **NE PAS tenter de charger de bloc-piles avec des chargeurs autres que ceux décrits dans ce manuel.** Le chargeur et son bloc-piles ont été conçus tout spécialement pour fonctionner ensemble.

- **Ces chargeurs n'ont pas été conçus pour une utilisation autre que recharger les blocs-piles rechargeables DEWALT.** Toute autre utilisation comporte des risques d'incendie, de chocs électriques ou d'électrocution.
- **Protéger le chargeur de la pluie ou de la neige.**
- **Tirer sur la fiche plutôt que sur le cordon pour débrancher le chargeur.** Cela permet de réduire les risques d'endommager la fiche ou le cordon d'alimentation.
- **S'assurer que le cordon est protégé de manière à ce que personne ne marche ni ne trébuche dessus, ou à ce qu'il ne soit ni endommagé ni soumis à aucune tension.**
- **N'utiliser une rallonge qu'en cas de nécessité absolue.** L'utilisation d'une rallonge inadéquate comporte des risques d'incendie, de chocs électriques ou d'électrocution.
- **Lors de l'utilisation d'un outil électrique à l'extérieur, utiliser une rallonge conçue à cet effet.** L'utilisation d'une rallonge conçue pour l'extérieur réduit les risques de chocs électriques.
- **Pour la sécurité de l'utilisateur, utiliser une rallonge de calibre adéquat (AWG, American Wire Gauge [calibrage américain normalisé des fils électriques]).** Plus le calibre est petit, et plus sa capacité est grande. Un calibre 16, par exemple, a une capacité supérieure à un calibre 18. L'usage d'une rallonge de calibre insuffisant causera une chute de tension qui entraînera perte de puissance et surchauffe. Si plus d'une rallonge est utilisée pour obtenir une certaine longueur, s'assurer que chaque rallonge présente au moins le calibre de fil minimum. Le tableau ci-dessous illustre les calibres à utiliser selon la longueur de rallonge et l'intensité nominale indiquée sur la plaque signalétique. En cas de doute, utiliser le calibre suivant. Plus le calibre est petit, plus la rallonge peut supporter de courant.

Calibres minimaux des rallonges						
Intensité (en ampères)		volts	Longueur totale de cordon en mètres (pieds)			
		120 V	7,6 (25)	15,2 (50)	30,5 (100)	45,7 (150)
		240 V	15,2 (50)	30,5 (100)	61,0 (200)	91,4 (300)
Supérieur à	Inférieur à	AWG				
0	6	18	16	16	14	
6	10	18	16	14	12	
10	12	16	16	14	12	
12	16	14	12	Non recommandé		

- **Ne poser aucun objet sur le chargeur. Ne pas mettre le chargeur sur une surface molle qui pourrait en bloquer la ventilation et provoquer une surchauffe interne.** Éloigner le chargeur de toute source de chaleur. Le chargeur dispose d'orifices d'aération sur le dessus et le dessous du boîtier.
- **Ne pas le faire fonctionner avec un cordon d'alimentation ou une fiche endommagée.**
- **Ne pas utiliser le chargeur s'il a reçu un coup, fait une chute ou a été endommagé de quelque façon que ce soit.** Le ramener dans un centre de réparation agréé.
- **Ne pas démonter le chargeur. Pour tout service ou réparation, le rapporter dans un centre de réparation agréé.** Le fait de le réassembler de façon incorrecte comporte des risques de chocs électriques, d'électrocution et d'incendie.
- **Débrancher le chargeur du secteur avant tout entretien.** Cela réduira tout risque de chocs électriques. Le fait de retirer le bloc-piles ne réduira pas ces risques.

- **NE JAMAIS** tenter de connecter deux chargeurs ensemble.
- **Le chargeur a été conçu pour être alimenté en courant électrique domestique standard de 120 volts. Ne pas tenter de l'utiliser avec toute autre tension. Cela ne s'applique pas aux chargeurs de postes mobiles.**

### Utilisation du mode Tune-up™ automatique

Le mode de Tune-Up™ automatique égalise ou équilibre chaque cellule du bloc-piles pour lui permettre de fonctionner à son rendement optimum. Les blocs-piles doivent être réglés chaque semaine ou après une dizaine de cycles de charges/décharges ou chaque fois que la durée de fonctionnement du bloc-piles diminue. Pour utiliser le Tune-Up™ automatique, mettre le bloc-piles dans le chargeur et l'y laisser pendant au moins 8 heures. Le chargeur passera par les modes suivants :

1. Le voyant rouge clignotera de façon continue indiquant que le cycle de chargement d'une heure a commencé.
2. Lorsque ce dernier est terminé, le voyant restera allumé sans clignoter. Cela indique que le bloc-piles est chargé à plein et peut être alors utilisé.
3. Si le bloc-piles est laissé dans le chargeur après la charge initiale de 1 heure, le chargeur entrera en mode automatique de mise au point. Ce mode dure jusqu'à 8 heures ou jusqu'à ce que les cellules du bloc-piles soient équilibrées. Le bloc-piles est prêt à être utilisé et peut être enlevé en tout temps durant le mode de mise au point.
4. Lorsque le mode automatique de mise au point est terminé, le chargeur débute une charge d'entretien; le témoin rouge demeurera allumé.

### Chargeurs

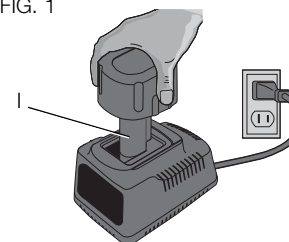
Votre outil fonctionne avec un chargeur DEWALT. S'assurer de bien lire toutes les directives de sécurité avant toute utilisation du chargeur. Consulter le tableau à l'arrière de ce manuel pour vous informer de la compatibilité entre chargeurs et blocs-piles.

### Procédure de charge (Fig. 1)

**⚠ DANGER :** risque d'électrocution. Les bornes de charge présentent une tension de 120 volts. Ne pas sonder les bornes avec des objets conducteurs. En effet, il y a risque de choc électrique ou d'électrocution.

1. Branchez le chargeur dans la prise appropriée avant d'y insérer le bloc-piles.
2. Insérez le bloc-piles (I) dans le chargeur, comme illustré en Figure 1, en vous assurant qu'il y est correctement calé. Le voyant rouge (charge) clignotera de façon continue indiquant que le cycle de chargement a commencé.
3. En fin de charge, le voyant rouge restera allumé de façon continue. Le bloc-piles est alors complètement chargé et peut être utilisé ou laissé dans le chargeur.

FIG. 1





## Fonctionnement du voyant

CHARGEMENT DU BLOC-PILES.....	
CHARGÉ À BLOC.....	
RETARDEMENT BLOC-PILES CHAUD/FROID.....	
REMPLACER LE BLOC-PILES...	
SOURCE D'ALIMENTATION INADÉQUATE.....	

### Voyants de charge

Certains chargeurs sont conçus pour détecter certains troubles pouvant survenir avec les blocs-piles. Ils sont indiqués par le clignotement rapide du voyant rouge. Dans ce cas, réinsérer le bloc-piles dans le chargeur. Si le trouble persiste, essayer un bloc-piles différent afin de déterminer si le chargeur est en bon état. Si le nouveau bloc-piles est chargé correctement, cela signifie que le bloc-piles initial était défectueux et qu'il doit être retourné à un centre de réparation ou à un site de collecte pour le recyclage. Si le nouveau bloc-piles présente le même trouble que celui d'origine, faire vérifier le chargeur par un centre de réparation autorisé.

### FONCTION DE SUSPENSION DU BLOC-PILES CHAUD/FROID

Certains chargeurs comportent une fonction de suspension du bloc-piles chaud/froid. En effet, lorsque le chargeur détecte un bloc-piles chaud, il suspend immédiatement le chargement jusqu'au refroidissement de celui-ci. Une fois le bloc-piles refroidi, le chargeur passe automatiquement au mode de charge du bloc-piles. Cette fonction assure une durée de vie maximale au bloc-piles. Le voyant rouge émet un clignotement long, puis court en mode de suspension de bloc-piles chaud.

### PROBLÈME AVEC LE SECTEUR

Certains chargeurs présentent un voyant pour tout problème avec le secteur. Lorsque le chargeur est utilisé avec des blocs d'alimentation portatifs comme des génératrices ou des alternateurs, il pourrait temporairement s'arrêter de marcher, **auquel cas un voyant rouge émet deux clignotements rapides suivis d'une pause**. Cela indique que le bloc d'alimentation est hors tolérance.

### BLOC-PILES LAISSÉ DANS LE CHARGEUR

Le chargeur et le bloc-piles peuvent être laissés branchés, le voyant rouge demeurant indéfiniment allumé. Le chargeur maintiendra le bloc-piles chargé à plein et en bon état.

**REMARQUE :** le bloc-piles perdra lentement sa charge une fois retiré du chargeur. Si le bloc-piles n'a pas été maintenu chargé (charge d'entretien), il peut falloir le recharger avant de l'utiliser. De plus, un bloc-piles peut perdre lentement sa charge s'il est laissé dans un chargeur qui n'est pas branché à une source de c.a. appropriée.

**BLOCS-PILES FAIBLES :** les chargeurs peuvent également détecter les blocs-piles faibles. Ces blocs-piles peuvent encore être utilisés, mais il faut s'attendre à un rendement moindre. Le chargeur indiquera lorsqu'il est temps de remplacer un bloc-pile.

### Remarques importantes concernant le chargement

1. Pour augmenter la durée de vie du bloc-piles et optimiser son rendement, le recharger à une température ambiante de 18 °C à 24 °C (65 °F à 75 °F). NE PAS recharger le bloc-piles à une température inférieure à + 4,5 °C (+ 40 °F) ou supérieure à + 40,5 °C (+ 105 °F). C'est important pour prévenir tout dommage sérieux au bloc-piles.

2. Le chargeur et son bloc-piles peuvent devenir chauds au toucher pendant la charge. C'est normal et ne représente en aucun cas une défaillance du produit. Pour faciliter le refroidissement du bloc-piles après utilisation, éviter de laisser le chargeur ou le bloc-piles dans un local où la température ambiante est élevée comme dans un hangar métallique ou une remorque non isolée.
3. Si le bloc-piles ne se recharge pas correctement :
  - a. Vérifier le bon fonctionnement de la prise en y branchant une lampe ou tout autre appareil électrique.
  - b. Vérifier que la prise n'est pas contrôlée par un interrupteur qui coupe le courant lorsqu'on éteint les lumières.
  - c. Déplacer le chargeur et le bloc-piles dans un local où la température ambiante se trouve entre environ 18 °C et 24 °C (65 °F et 75 °F).
  - d. Si le problème persiste, amener l'outil, le bloc-piles et son chargeur dans un centre de réparation local.
4. Recharger le bloc-piles lorsqu'il ne produit plus assez de puissance pour effectuer un travail qu'il faisait facilement auparavant. NE PAS CONTINUER à l'utiliser dans ces conditions. Suivre la procédure de charge. Si nécessaire, il est aussi possible de recharger un bloc-piles partiellement déchargé sans effet nuisible sur le bloc-piles.
5. Dans certaines circonstances, lorsque le chargeur est branché au bloc d'alimentation, les contacts de chargement exposés à l'intérieur du chargeur peuvent être court-circuités par des corps étrangers conducteurs tels que, mais sans s'y limiter, poussières de rectification, débris métalliques, laine d'acier, feuilles d'aluminium, ou toute accumulation de particules métalliques. Ils doivent être maintenus à distance des ouvertures du chargeur. Débrancher systématiquement le chargeur lorsque le bloc-piles n'y est pas inséré. Débrancher systématiquement le chargeur avant tout entretien.

6. Ne pas congeler ou immerger le chargeur dans l'eau ou tout autre liquide.

**⚠AVERTISSEMENT** : risques de chocs électriques. Ne laisser aucun liquide pénétrer dans le chargeur, des chocs électriques pourraient en résulter.

**⚠AVERTISSEMENT** : risques de brûlure. Ne jamais tenter d'ouvrir le bloc-piles pour quelque raison que ce soit. Si le boîtier plastique du bloc-piles est brisé ou fissuré, le retourner dans un centre de réparation pour y être recyclé.

### **Recommandations de stockage**

1. Le lieu idéal de rangement est un lieu frais et sec, à l'abri de toute lumière solaire directe et de toute température excessive.
2. Pour un stockage prolongé, il est recommandé d'entreposer le bloc-piles pleinement chargé dans un lieu frais et sec, hors du chargeur pour optimiser les résultats.

**REMARQUE** : les blocs-piles ne devraient pas être entreposés complètement déchargés. Il sera nécessaire de recharger le bloc-piles avant réutilisation.

## **CONSERVER CES CONSIGNES POUR UTILISATION ULTÉRIEURE**

### **DESCRIPTION (Fig. 2)**

**⚠AVERTISSEMENT** : ne jamais modifier l'outil électrique ni aucun de ses composants, car il y a risques de dommages corporels ou matériels.

- |  |  |
|--|--|
| A. Gâchette                              | H. Levier rétractant du carter inférieur |
| B. Bouton de verrouillage de la gâchette | I. Bloc-piles                            |
| C. Levier de réglage de profondeur       | J. Fenêtre latérale                      |
| D. Bouton de verrouillage de lame        | K. Châssis                               |
| E. Indicateur de trait de scie           | L. Clé pour lame                         |
| F. Vis de serrage de lame                | M. Bouton de libération du bloc-piles    |
| G. Carter inférieur                      |  |

#### USAGE PRÉVU

Cette scie circulaire à métaux a été conçue pour la découpe professionnelle de métaux de faible épaisseur et de petits profilés métalliques.

**NE PAS** l'utiliser en milieu ambiant humide ou en présence de liquides ou de gaz inflammables.

Cette scie circulaire à métaux est un outil électrique de professionnels.

**NE PAS** la laisser à la portée des enfants. Une supervision est nécessaire auprès de tout utilisateur non expérimenté.

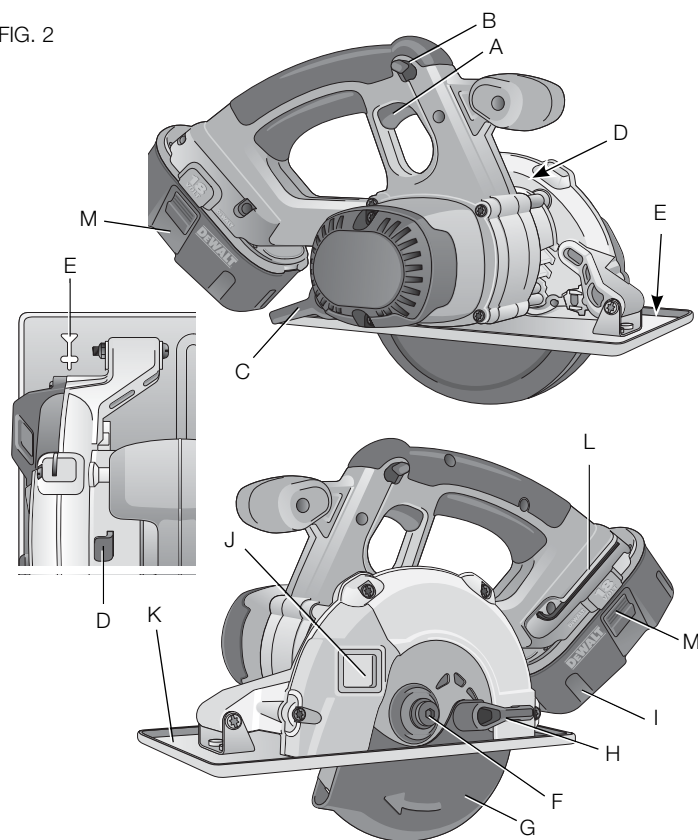
**⚠AVERTISSEMENT :** *Ne pas faire de coupe en plongée ou de coupe en poche avec cette scie.*

#### Fenêtre (Fig. 2)

**⚠AVERTISSEMENT :** *ne pas utiliser la scie si la fenêtre latérale est manquante ou endommagée. Si les fenêtres sont endommagées ou manquantes, faire réparer la scie chez un centre de réparation agréé. Si la scie était utilisée sans les fenêtres, des débris métalliques pourraient s'échapper par le carter et poser des risques de dommages corporels.*

**⚠ATTENTION :** *ce pas utiliser d'huile ou de fluides de coupe avec la scie à métaux. Ne pas utiliser d'essence à détacher pour nettoyer la fenêtre. L'essence à détacher, les fluides ou*

FIG. 2



Français

huiles de coupe pourraient endommager le plastique de la fenêtre et compromettre la sécurité d'utilisation de la scie.

La scie est équipée d'une fenêtre latérale (J) sur le côté du carter supérieur. Cette fenêtre permet à l'utilisateur de voir la ligne de coupe sur le matériau à découper.

### Châssis de scie (Fig. 2)

À l'avant du châssis de scie (K) se trouve un indicateur de trait de scie (E) qui permet à l'utilisateur de pousser la scie le long des lignes de coupe. Aligner la ligne de coupe sur l'encoche à l'avant du châssis en la centrant à l'aide de l'indicateur de trait de scie en V modifié permet à l'utilisateur de maintenir la lame en alignement avec la ligne de coupe. Si la ligne de coupe est visible au travers de la partie la plus étroite de l'indicateur de trait de scie, la lame passera alors directement sur la ligne de coupe.

### UTILISATION

**⚠ AVERTISSEMENT :** pour réduire le risque de blessures, éteindre l'appareil et le débrancher avant d'installer ou de retirer tout accessoire et avant d'effectuer des réglages ou des réparations. Un démarrage accidentel peut provoquer des blessures.

### Installation et retrait du bloc-piles (Fig. 3)

**REMARQUE :** pour des résultats optimaux, s'assurer que le bloc-piles est complètement chargé.

Pour installer le bloc-piles (I) dans la poignée de l'outil, alignez l'encoche sur la face interne de la poignée

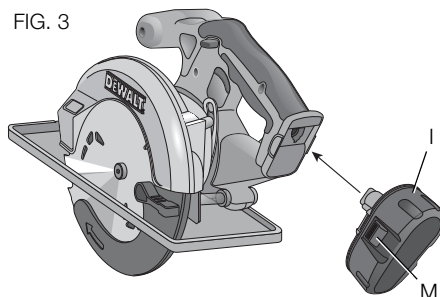


FIG. 3

de l'outil avec le bloc-piles, et faites glisser le bloc-piles fermement dans la poignée jusqu'à ce qu'il s'y enclenche complètement, comme illustré en Figure 3.

Pour retirer le bloc-piles de l'outil, poussez sur le bouton de dégagement (M) et tirez fermement le bloc-piles hors de la poignée de l'outil. Insérez-le dans son chargeur comme décrit dans la section appropriée de ce manuel.

### Interrupteur (Fig. 2)

Cette scie est contrôlée par une gâchette (A) et un bouton de verrouillage (B). Le bouton de verrouillage doit être activé pour que la gâchette puisse mettre la scie en marche. Relâcher la gâchette arrête la scie.

**REMARQUE :** cet outil n'est pas équipé d'un bouton pour le verrouiller en position de marche. La scie ne doit en aucune manière être verrouillée en position de marche.

### Changement de lame (Fig. 1, 4-6)

**⚠ AVERTISSEMENT :** pour réduire le risque de blessures, éteindre l'appareil et le débrancher avant d'installer ou de retirer tout accessoire et avant d'effectuer des réglages ou des réparations. Un démarrage accidentel peut provoquer des blessures.

#### INSTALLATION DE LA LAME

1. Posez la rondelle de serrage interne (O) sur la broche de scie, le côté large et plat vers l'extérieur, contre la lame (Fig. 4, 5).

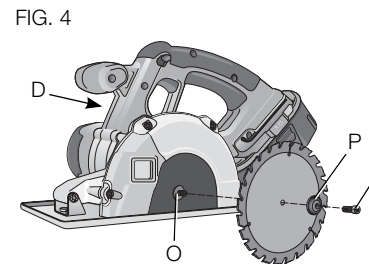
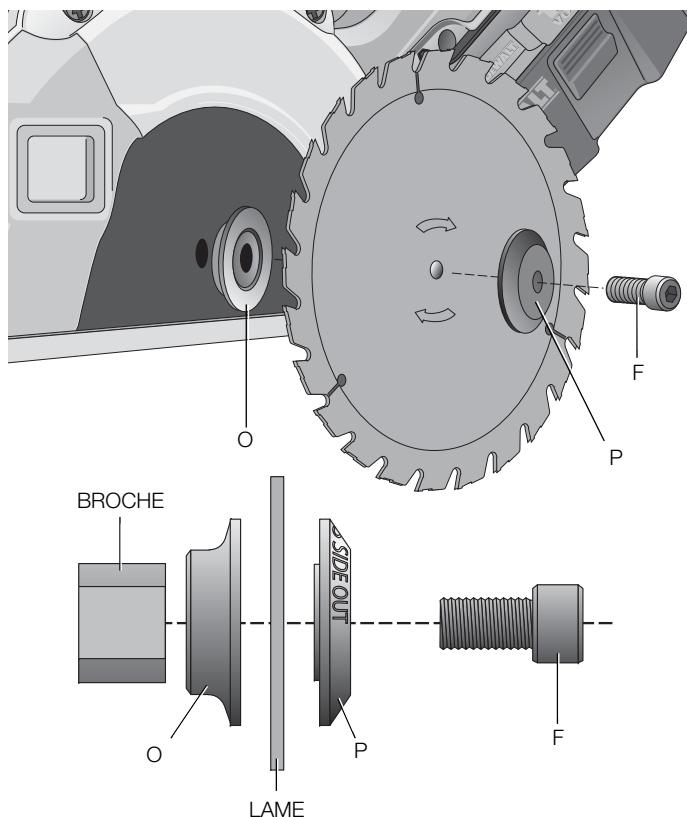


FIG. 4

FIG. 5



2. Rétractez le carter inférieur de lame (G) et placez la lame sur la broche de scie contre la rondelle de serrage interne (O), en vous assurant que la lame tournera dans le bon sens (le sens de la flèche de rotation sur la lame et les dents doivent pointer dans la même direction que celle de la flèche de rotation sur la scie). N'assumez pas que l'impression sur la lame vous fera automatiquement face une fois celle-ci installée correctement. Avant de rétracter le carter inférieur de lame pour installer la lame, vérifiez l'état et le fonctionnement du carter inférieur de lame pour vous assurer qu'il est parfaitement opérationnel. Vérifiez bien qu'il bouge librement et ne touche pas la lame, ou toute autre partie de la scie, à tout angle et toute profondeur de coupe.

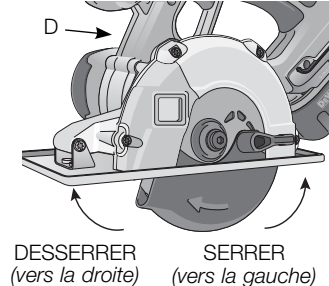
3. Posez la rondelle de serrage externe (P) sur la broche de scie, le côté large et plat contre la lame et le côté biseauté vers l'extérieur.

4. Vissez manuellement la vis de serrage de lame (F) sur la broche de scie (la vis possède un filetage vers la gauche et doit être tournée vers la gauche pour être resserrée) (Fig. 6).

5. Appuyez sur le bouton de verrouillage de lame (D) tout en tournant la broche de la scie avec la clé pour lame (M, Fig. 1) jusqu'à ce que le verrouillage de lame s'enclenche et que la lame cesse de tourner.

6. Resserrez la vis de serrage de lame fermement à l'aide de la clé pour lame.

FIG. 6



Français

**AVIS :** ne jamais activer le verrouillage de lame alors que la scie est en marche pour essayer d'arrêter l'outil, ou de le forcer de toute autre manière à s'arrêter. Ne jamais mettre la scie en marche alors que le verrouillage de lame est activé. De sérieux dommages matériels pourraient en résulter.

**POUR CHANGER LA LAME**

1. Pour desserrer la vis de serrage de lame (F), appuyez sur le bouton de verrouillage de lame (D) et tournez la broche de la scie avec la clé pour lame jusqu'à ce que le verrouillage de lame s'enclenche et que la lame cesse de tourner. Alors que le verrouillage de lame est activé, tournez la vis de serrage de lame vers la droite avec la clé pour lame (la vis a un filetage vers la gauche et doit être tournée vers la droite pour être dévissée).
2. Retirez seulement la vis de serrage de lame (F) et la rondelle de serrage externe (P). Retirez la lame usagée.
3. Nettoyez tout débris métallique qui aurait pu s'accumuler autour du carter ou de la rondelle de serrage. Vérifiez l'état et le bon fonctionnement du carter inférieur de lame comme expliqué ci-dessus. Ne lubrifiez pas cette zone.
4. Sélectionnez la lame adaptée à l'application désirée (se reporter à la section **Lames**). Utilisez systématiquement des lames de la bonne taille (diamètre) avec un alésage central de taille et de forme adaptées à la broche de la scie. Assurez-vous systématiquement que la vitesse maximum recommandée (r/min) pour la lame de scie correspond ou excède celle (r/min) de la scie.
5. Suivez les étapes 2 à 6 sous la section **Installation de la lame**, en vous assurant que la lame tournera dans le bon sens.

**CARTER INFÉRIEUR DE LAME**

**⚠AVERTISSEMENT :** le carter inférieur de lame est un dispositif de sécurité destiné à réduire les risques de dommages corporels graves. Ne jamais utiliser la scie sans

son carter inférieur, ou s'il est endommagé, mal assemblé ou ne fonctionne pas correctement. Ne pas compter sur le carter inférieur de lame pour vous protéger en toute circonstance. Votre sécurité dépend autant du respect des avertissements et des précautions prises que de l'utilisation correcte de la scie. Vérifier que le carter inférieur est correctement fermé avant chaque utilisation comme décrit dans la section **Consignes de sécurité additionnelles propres aux scies circulaires**. Si le carter inférieur de lame manque ou ne fonctionne pas correctement, faire réparer la scie avant toute utilisation. Pour assurer votre sécurité et la fiabilité du produit, toutes les opérations de réparation, d'entretien et de réglage doivent être effectuées dans un centre de service agréé ou par du personnel qualifié en utilisant systématiquement des pièces de rechange identiques.

**⚠AVERTISSEMENT :** suite à certaines conditions d'utilisation, des débris métalliques pourraient s'incruster sur la surface du carter inférieur, provoquant son frottement contre le carter supérieur. Vérifier le bon fonctionnement du carter inférieur avant chaque utilisation et retirer tout débris.

**Lames**

**⚠AVERTISSEMENT :** pour réduire tout risque de lésions oculaires, porter systématiquement une protection oculaire. Le carbure est un matériau dur, mais cassant. Tout objet étranger dans la pièce à usiner, comme des fils ou des clous, pourrait fissurer ou casser les dents de scie. Utiliser la scie seulement avec son carter de lame installé de façon adéquate. Installer la lame soigneusement, vérifier sa rotation, sa propreté et son affutage avant toute utilisation.

Lame	Diamètre	Dents	Application
DWA7770	140 mm (5-1/2 po)	30	Usage général, coupe de métaux ferreux

Pour obtenir plus d'informations sur les lames, veuillez appeler le 1-800-4-DEWALT (1-800-433-9258).

## REBOND

Le rebond est une réaction subite (causée par une lame de scie pincée, coincée ou mal alignée) qui peut entraîner le soulèvement d'une scie non contrôlée, sa sortie de l'ouvrage et sa projection en direction de l'utilisateur. Si la lame est pincée ou coincée fortement pendant l'abaissement de la scie, la lame se cale et le moteur réagit en entraînant rapidement l'outil vers l'arrière dans la direction de l'opérateur. Si la lame se tord ou perd son alignement correct au cours de la coupe, les dents sur le bord arrière de la lame peuvent entamer la surface supérieure d'un matériau, forçant ainsi la lame à sortir du trait de scie et à « sauter » vers l'arrière en direction de l'opérateur.

Les situations suivantes présentent des risques de rebond.

### 1. MAUVAIS SOUTIEN DE LA PIÈCE À DÉCOUPER

- A. L'affaissement ou le mauvais soutien de la pièce découpée peut causer le blocage de la lame (Fig. 9).
- B. Le découpage d'un matériau seulement soutenu à l'extrémité externe (Fig. 9) fait affaisser le matériau à mesure qu'il s'affaiblit, refermant ainsi la rainure et bloquant la lame.
- C. Le découpage d'une pièce en porte-à-faux ou en saillie à partir du bas vers le haut, à la verticale, provoque le blocage de la lame lorsque la pièce découpée tombe.
- D. Le découpage de longues bandes étroites peut causer l'affaissement ou la torsion de la bande bloquant ainsi la rainure et coincant la lame.
- E. L'accrochage du protecteur inférieur sur la surface sous le matériau peut réduire momentanément la maîtrise de l'utilisateur sur l'outil. La scie peut alors sortir en partie de la pièce augmentant le risque de torsion de la lame.

### 2. RÉGLAGE INCORRECT DE LA PROFONDEUR DE COUPE

Pour effectuer une coupe optimale, la lame ne devrait pas dépasser de plus d'une dent, comme illustré en Figure 8. Cela permet au patin de soutenir la lame et de minimiser tout grippage ou pinçage du matériau. Se reporter à la section intitulée **Réglage de la profondeur de coupe**.

### 3. TORSION DE LA LAME (COUPE MAL ALIGNÉE)

- A. Le fait de pousser fort pour dur peut provoquer la torsion de la lame.
- B. Lorsqu'on essaie de faire dévier la scie pendant le découpage (pour revenir dans la ligne de coupe) peut également provoquer la torsion de la lame.
- C. Le fait de s'étirer hors de sa portée ou de ne pas garder son équilibre peut causer la torsion de la lame.
- D. Le changement de position des mains ou du corps pendant la coupe peut provoquer la torsion de la lame.
- E. Le retrait de la scie pour dégager la lame peut faire tordre la lame.

### 4. UTILISATION DE LAMES ÉMOUSSÉES OU SALES

Les lames émoussées augmentent la charge de la scie. Pour compenser, l'utilisateur pousse habituellement fort ce qui charge un peu plus la scie et occasionne la torsion de la lame dans la rainure. Les lames usées n'ont pas suffisamment de jeu ce qui augmente les risques de pliage et de surcharge.

### 5. REDÉMARRAGE D'UNE COUPE AVEC LES DENTS DE LA LAME COINCÉES DANS LE MATÉRIAU

Il faut attendre que la scie atteigne son plein régime avant de commencer à découper ou avant de remettre la scie en marche. Autrement, la scie peut caler ou rebondir.

Toute autre condition pouvant avoir comme résultat le pincement, le grippage, la torsion ou le mésalignement de la lame pourra causer des rebonds. Se reporter aux sections **Consignes additionnelles de**

**sécurité propres à toutes les scies et Lames** pour les procédures et techniques de minimisation des risques de rebonds.

FIG. 7

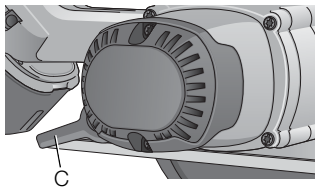
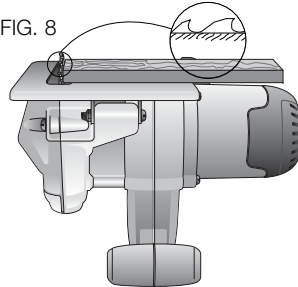


FIG. 8



### Réglage de la profondeur (Fig. 7, 8)

**⚠ AVERTISSEMENT :** pour réduire le risque de blessures, éteindre l'appareil et le débrancher avant d'installer ou de retirer tout accessoire et avant d'effectuer des réglages ou des réparations. Un démarrage accidentel peut provoquer des blessures.

La scie à métaux est équipée d'un châssis pivotant pour permettre à l'utilisateur de régler la profondeur de coupe. Pour une coupe optimale, ajustez le réglage de profondeur de façon à ce qu'une dent de lame dépasse sous le matériau à découper. Il s'agit de la distance entre la pointe de la dent et le creux la précédant. Cela permet de minimiser la friction de lame, d'éliminer les débris métalliques, de maintenir la température de sciage basse et une vitesse de sciage rapide tout en réduisant les risques de rebonds.

#### POUR RÉGLER LA PROFONDEUR DE COUPE

1. Posez le morceau de matériau à découper le long de la lame, comme illustré.
2. Vérifiez la longueur de dent dépassant du matériau.

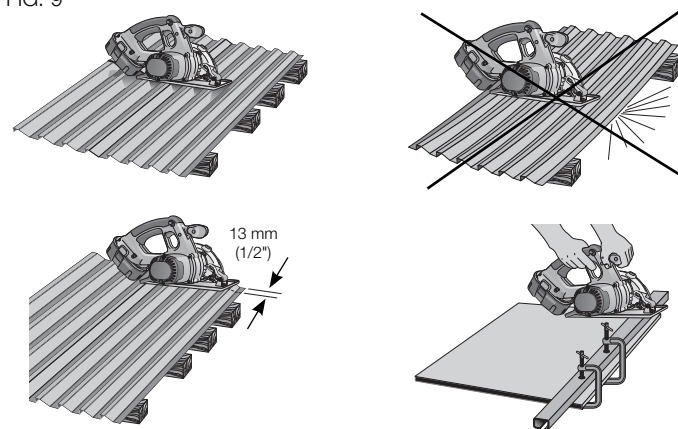
3. Desserrez le levier de réglage de profondeur (C) et déplacez le châssis pour modifier la profondeur de coupe le cas échéant.
4. Resserrez soigneusement le levier de réglage de profondeur.

### Support de pièce (Fig. 9)

#### DÉCOUPE DE FEUILLES MÉTALLIQUES

La Figure 9 illustre comment soutenir, correctement et incorrectement, les larges feuilles métalliques. Pour éviter les rebonds, soutenez le matériau près de la coupe. Ne le soutenez pas loin de la coupe. Si le matériau était soutenu loin de la coupe, cela pourrait gripper la lame et causer des rebonds. Pour découper des bandes étroites, maintenez la lame à moins 1/2 po (13 mm environ) du bord du matériau. Les bandes étroites pourraient gripper la lame, causer des rebonds et augmenter les risques de dommages corporels.

FIG. 9





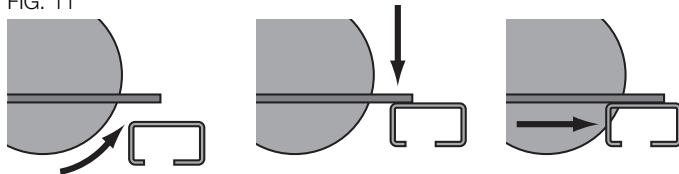
## DÉCOUPE D'UNE PLAQUE MÉTALLIQUE RECTANGULAIRE

Arrimez le matériau que vous désirez couper à un établi ou toute autre surface de travail, comme illustré ci-dessus.

### Coupe (Fig. 10, 11)

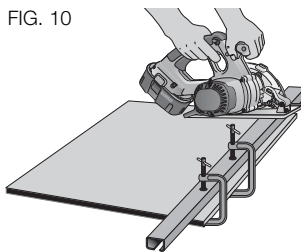
1. Maintenez soigneusement la scie à deux mains. La Figure 10 illustre la position correcte des mains. Maintenez le corps sur l'un des côtés de la ligne de coupe. Cela vous protégera de dommages corporels possibles liés aux rebonds.
2. Pour découper les extrémités d'une plaque métallique rectangulaire, placez la partie la plus large du châssis sur le morceau du matériau arrimé à l'établi ou tout autre support, et non pas sur la section du matériau qui tombera lors de la coupe.
3. Appuyez sur la gâchette et laissez la scie tourner à plein régime avant de mettre la lame en contact avec le matériau à découper (Fig. 11).

FIG. 11



4. Poussez la scie en avant à un rythme permettant à la lame de couper sans forcer.

FIG. 10



5. En fin de coupe, relâchez la gâchette et laissez la lame s'arrêter complètement avant de soulever la scie du travail. Lorsque vous soulèverez la scie, le carter se refermera automatiquement sous la lame.

### CORRECTION DE COUPE

Si la coupe venait à sortir de la ligne de coupe, n'essayez pas de forcer l'outil à y retourner. Forcer la correction pourrait faire caler la scie et causer des rebonds. Il est préférable de relâcher la gâchette et d'attendre l'arrêt complet de la lame, puis de sortir la scie de la coupe. Puis, redémarrez la scie et rentrez dans la coupe en suivant la ligne de coupe désirée.

**⚠ AVERTISSEMENT :** ne pas entasser les matériaux à découper. Ne pas découper des boulons avec la scie. Ne pas toucher la lame, la pièce à travailler ou les débris métalliques à mains nues immédiatement après la coupe. Ils seront extrêmement chauds et poseront des risques de brûlures.

### Maximiser la durée de vie des lames

Pour allonger la durée de vie des lames, suivez les pratiques ci-après:

- Ne forcez pas la lame au travers du métal. La scie doit couper à son propre rythme, à vitesse régulière.
- Changez les lames quand il devient difficile de pousser facilement la scie dans la ligne de coupure, quand le moteur force ou quand il dégage une chaleur excessive.
- Maintenez fermement la scie contre le métal à découper.
- Si le métal que vous découpez vibre ou tremble, arrimez le matériau le plus près possible de la coupe et ralentissez la vitesse de coupe.

### MAINTENANCE

**⚠ AVERTISSEMENT :** pour réduire le risque de blessures, éteindre l'appareil et le débrancher avant d'installer ou de retirer tout accessoire et avant d'effectuer des réglages ou des réparations. Un démarrage accidentel peut provoquer des blessures.

## Remplacement de la fenêtre latérale (Fig. 1)

**⚠ AVERTISSEMENT :** ne pas utiliser la scie si la fenêtre latérale est manquante ou endommagée. Si les fenêtres sont endommagées ou manquantes, faire réparer la scie chez un centre de réparation agréé. Si la scie était utilisée sans les fenêtres, des débris métalliques pourraient s'échapper par le carter et poser des risques de dommages corporels.

La fenêtre latérale (J) doit être remplacée par un centre de réparation DEWALT agréé.

## Nettoyage

**⚠ AVERTISSEMENT :** enlever les saletés et la poussière hors des événements au moyen d'air comprimé propre et sec, au moins une fois par semaine. Pour minimiser le risque de blessure aux yeux, toujours porter une protection oculaire conforme à la norme ANSI Z87.1 lors du nettoyage.

**⚠ AVERTISSEMENT :** ne jamais utiliser de solvants ni d'autres produits chimiques puissants pour nettoyer les pièces non métalliques de l'outil. Ces produits chimiques peuvent affaiblir les matériaux de plastique utilisés dans ces pièces. Utiliser un chiffon humecté uniquement d'eau et de savon doux. Ne jamais laisser de liquide pénétrer dans l'outil et n'immerger aucune partie de l'outil dans un liquide.

**⚠ ATTENTION :** N'utilisez pas de liquide de nettoyage sur la fenêtre afin de ne pas la ternir et de pas compromettre l'utilisation sécuritaire de la scie. Utilisez de l'air comprimé pour retirer la poussière accumulée à l'intérieur de la fenêtre. Portez des lunettes de sécurité pendant ce processus.

Instruction de nettoyage du chargeur

**⚠ AVERTISSEMENT :** risque de choc. Débrancher le chargeur de la prise de courant C.A. avant de le nettoyer. La saleté et la graisse peuvent être enlevées de la surface extérieure du chargeur au moyen

d'un chiffon ou d'une brosse douce non métallique. Ne pas utiliser d'eau ni d'autres solutions de nettoyage.

## Lubrification

Les roulements à billes ou à rouleaux internes de l'outil sont autolubrifiés, de sorte qu'on n'a pas besoin de les lubrifier soi-même. On recommande cependant d'ér l'outil à un centre de service autorisé au moins une fois par année aux fins d'un entretien complet (nettoyage, inspection et lubrification) du carter d'engrenage.

## Accessoires

**⚠ AVERTISSEMENT :** puisque les accessoires autres que ceux offerts par DEWALT n'ont pas été testés avec ce produit, leur utilisation pourrait s'avérer dangereuse. Pour réduire le risque de blessures, utiliser exclusivement les accessoires DEWALT recommandés avec le présent produit.

Utiliser seulement des lames à métaux DEWALT de 140 mm (5-1/2 po) avec un alésage de 20 mm.

Les accessoires recommandés pour cet outil sont vendus séparément au centre de service de votre région. Pour obtenir de l'aide concernant l'achat d'un accessoire, communiquer avec DEWALT Industrial Tool Co., 701 East Joppa Road, Baltimore, MD 21286 aux États-Unis; composer le 1 800 433-9258 (1 800 4-DEWALT) ou visiter notre site Web : [www.dewalt.com](http://www.dewalt.com).

## Réparations

Le chargeur et le bloc-piles ne sont pas réparables.

Pour assurer la SÉCURITÉ et la FIABILITÉ du produit, les réparations, l'entretien et les réglages doivent être réalisés (cela comprend l'inspection et le remplacement du balai) par un centre de réparation en usine DEWALT, un centre de réparation agréé DEWALT ou par d'autres techniciens qualifiés. Toujours utiliser des pièces de rechange identiques.

## **Registre en ligne**

Merci pour votre achat. Enregistrez dès maintenant votre produit:

- **RÉPARATIONS SOUS GARANTIE:** cette carte remplie vous permettra de vous prévaloir du service de réparations sous garantie de façon plus efficace dans le cas d'un problème avec le produit.
- **CONFIRMATION DE PROPRIÉTÉ:** en cas de perte provoquée par un incendie, une inondation ou un vol, cette preuve de propriété vous servira de preuve auprès de votre compagnie d'assurances.
- **SÉCURITÉ:** l'enregistrement de votre produit nous permettra de communiquer avec vous dans l'éventualité peu probable de l'envoi d'un avis de sécurité régi par la loi fédérale américaine de la protection des consommateurs.

Registre en ligne à [www.dewalt.com/register](http://www.dewalt.com/register).

## **Garantie limitée de trois ans**

DEWALT réparera, sans frais, tout produit défectueux causé par un défaut de matériel ou de fabrication pour une période de trois ans à compter de la date d'achat. La présente garantie ne couvre pas les pièces dont la défectuosité a été causée par une usure normale ou l'usage abusif de l'outil. Pour obtenir de plus amples renseignements sur les pièces ou les réparations couvertes par la présente garantie, visiter le site [www.dewalt.com](http://www.dewalt.com) ou composer le 1 800 433-9258 (1 800 4-DEWALT). Cette garantie ne s'applique pas aux accessoires et ne vise pas les dommages causés par des réparations effectuées par un tiers. Cette garantie confère des droits légaux particuliers à l'acheteur, mais celui-ci pourrait aussi bénéficier d'autres droits variant d'un état ou d'une province à l'autre.

En plus de la présente garantie, les outils DEWALT sont couverts par notre :

## **CONTRAT D'ENTRETIEN GRATUIT D'UN AN**

DEWALT entretiendra l'outil et remplacera les pièces usées au cours d'une utilisation normale et ce, gratuitement, pendant une période d'un an à compter de la date d'achat.

## **CONTRAT D'ENTRETIEN GRATUIT DE DEUX ANS SUR LES BLOC-PILES DEWALT**

DC9071, DC9091, DC9096, DC9280, DC9360, DC9180, DCB120, DCB201 et DCB203

## **CONTRAT D'ENTRETIEN GRATUIT DE TROIS ANS SUR LES BLOC-PILES DEWALT**

DCB200, DCB204

## **BLOCS-PILES DEWALT**

La garantie de ce produit sera annulée si le bloc-piles a été altéré de quelque façon que ce soit. DEWALT ne peut être tenu responsable de tout dommage corporel causé par l'altération du produit et pourra poursuivre toute fraude en matière de garantie dans toute l'étendue permise par la loi.

## **GARANTIE DE REMBOURSEMENT DE 90 JOURS**

Si l'acheteur n'est pas entièrement satisfait, pour quelque raison que ce soit, du rendement de l'outil électrique, du laser ou de la cloueuse DEWALT, celui-ci peut le retourner, accompagné d'un reçu, dans les 90 jours à compter de la date d'achat pour obtenir un remboursement intégral, sans aucun problème.

**AMÉRIQUE LATINE :** cette garantie ne s'applique aux produits vendus en Amérique latine. Pour ceux-ci, veuillez consulter les informations relatives à la garantie spécifique présente dans l'emballage, appeler l'entreprise locale ou consulter le site Web pour les informations relatives à cette garantie.

**REEMPLACEMENT GRATUIT DES ÉTIQUETTES D'AVERTISSEMENT** : si les étiquettes d'avertissement deviennent illisibles ou sont manquantes, composer le 1 800 433-9258 (1 800 4-DEWALT) pour en obtenir le remplacement gratuit.

**DCS372** 5 1/2" (140mm) CORDLESS METAL CUTTING CIRCULAR SAW

SER. [REDACTED]

**⚠ DANGER** KEEP HANDS AND BODY AWAY FROM AND TO THE SIDE OF THE BLADE. CONTACT WITH BLADE WILL RESULT IN SERIOUS INJURY.  
**⚠ PELIGRO:** MANTENGA LAS MANOS Y EL CUERPO ALEJADOS DE LA HOJA Y A UN LADO DE LA MISMA. EL CONTACTO CON LA HOJA PROVOCA LESIONES GRAVES.  
**⚠ DANGER:** TENIR LES MAINS ET TOUTE AUTRE PARTIE DU CORPS ÉLOIGNÉES DE LA LAME ET SUR LE CÔTÉ DE CELLE-CI. TOUT CONTACT AVEC LA LAME RISQUE DE CAUSER DE GRAVES BLESSURES.  
**⚠ WARNING** TO REDUCE THE RISK OF INJURY, USER MUST READ INSTRUCTION MANUAL. CHECK GUARDING SYSTEM, IT MUST COVER BLADE INSTANTLY. HOLD SAW WITH BOTH HANDS. SUPPORT AND CLAMP WORK. WEAR EYE PROTECTION, ALWAYS USE PROPER RESPIRATORY PROTECTION, USE ONLY WITH DEWALT BATTERIES AND CHARGERS. REMOVE BATTERY PACK WHEN CHANGING BLADES OR MAKING ADJUSTMENTS. DO NOT USE CUTTING OIL.  
**⚠ ADVERTENCIA:** PARA REDUCIR EL RIESGO DE LESIONES, DEBE LEERSE EL MANUAL DE INSTRUCCIONES.  
**⚠ AVERTISSEMENT:** À TITRE PRÉVENTIF, LIRE LE GUIDE.

**⚠ ADVERTENCIA:** COMPRUEBE EL SISTEMA DE PROTECCIÓN. ¡DEBE CUBRIR LA HOJA AL INSTANTE! SOSTENGA LA SIERRA CON AMBAS MANOS. APOYE Y SUJETE EL TRABAJO. USE PROTECCIÓN OCULAR. USE SIEMPRE PROTECCIÓN RESPIRATORIA ADECUADA. USAR CON BATERÍA DEWALT. SAQUE LA UNIDAD DE BATERÍA AL CAMBIAR LAS HOJAS O HACER AJUSTES. NO USE ACEITE DE CORTE.

**⚠ AVERTISSEMENT:** VÉRIFIER LE BON FONCTIONNEMENT DU CARTER DE PROTECTION. IL DOIT POUVOIR RECOUVRIR LA LAME INSTANTANÉMENT ! MAINTENIR LA SCIE À DEUX MAINS. SOUTENIR ET ARRIMER LE TRAVAIL. PORTER UNE PROTECTION OCULAIRE. PORTER SYSTÉMATIQUÉMENT UN SYSTÈME DE PROTECTION DES VOIES RESPIRATOIRES ADÉQUATS. UTILISER AVEC UN BLOC-PILE DEWALT. RETIRER LE BLOC-PILES AVANT DE CHANGER LA LAME OU D'EFFECTUER DES RÉGLAGES. NE PAS UTILISER D'HUILE DE COUPE.

D·WALT INDUSTRIAL TOOL CO., BALTIMORE, MD 21286 USA  
 FOR SERVICE INFORMATION CALL: 1-800-4-DEWALT www.DWALT.com

Français

### **Definiciones: Normas de seguridad**

Las siguientes definiciones describen el nivel de gravedad de cada palabra de señal. Lea el manual y preste atención a estos símbolos.

**▲ PELIGRO:** Indica una situación de peligro inminente que, si no se evita, provocará **la muerte o lesiones graves**.

**▲ ADVERTENCIA:** Indica una situación de peligro potencial que, si no se evita, **podría provocar la muerte o lesiones graves**.

**▲ ATENCIÓN:** Indica una situación de peligro potencial que, si no se evita, **posiblemente provocaría lesiones leves o moderadas**.

**AVISO:** Se refiere a una práctica **no relacionada a lesiones corporales** que de no evitarse **puede resultar en daños a la propiedad**.

SI TIENE ALGUNA DUDA O ALGÚN COMENTARIO SOBRE ÉSTA U OTRA HERRAMIENTA DEWALT, LLÁMENOS AL NÚMERO GRATUITO: 1-800-4-DEWALT (1-800-433-9258).



**ADVERTENCIA:** Para reducir el riesgo de lesiones, lea el manual de instrucciones.

### **Advertencias generales de seguridad para herramientas eléctricas**



**¡ADVERTENCIA!** Lea todas las advertencias de seguridad e instrucciones. El incumplimiento de las advertencias e instrucciones puede provocar descargas eléctricas, incendios o lesiones graves.

## **CONSERVE TODAS LAS ADVERTENCIAS E INSTRUCCIONES PARA FUTURAS CONSULTAS**

El término "herramienta eléctrica" incluido en las advertencias hace referencia a las herramientas eléctricas operadas con corriente (con cable eléctrico) o a las herramientas eléctricas operadas con baterías (inalámbricas).

### **1) SEGURIDAD EN EL ÁREA DE TRABAJO**

- Mantenga el área de trabajo limpia y bien iluminada.** Las áreas abarrotadas y oscuras propician accidentes.
- No opere las herramientas eléctricas en atmósferas explosivas, como ambientes donde haya polvo, gases o líquidos inflamables.** Las herramientas eléctricas originan chispas que pueden encender el polvo o los vapores.
- Mantenga alejados a los niños y a los espectadores de la herramienta eléctrica en funcionamiento.** Las distracciones pueden provocar la pérdida de control.

### **2) SEGURIDAD ELÉCTRICA**

- Los enchufes de la herramienta eléctrica deben adaptarse al tomacorriente. Nunca modifique el enchufe de ninguna manera. No utilice ningún enchufe adaptador con herramientas eléctricas con conexión a tierra.** Los enchufes no modificados y que se adaptan a los tomacorrientes reducirán el riesgo de descarga eléctrica.
- Evite el contacto corporal con superficies con descargas a tierra como, por ejemplo, tuberías, radiadores, cocinas eléctricas y refrigeradores.** Existe mayor riesgo de descarga eléctrica si su cuerpo está puesto a tierra.

- c) **No exponga las herramientas eléctricas a la lluvia o a condiciones de humedad.** Si entra agua a una herramienta eléctrica, aumentará el riesgo de descarga eléctrica.
- d) **No maltrate el cable. Nunca utilice el cable para transportar, tirar o desenchufar la herramienta eléctrica. Mantenga el cable alejado del calor, el aceite, los bordes filosos y las piezas móviles.** Los cables dañados o enredados aumentan el riesgo de descarga eléctrica.
- e) **Al operar una herramienta eléctrica en el exterior, utilice un cable prolongador adecuado para tal uso.** Utilice un cable adecuado para uso en exteriores a fin de reducir el riesgo de descarga eléctrica.
- f) **Si el uso de una herramienta eléctrica en un lugar húmedo es imposible de evitar, utilice un suministro protegido con un interruptor de circuito por falla a tierra (GFCI).** El uso de un GFCI reduce el riesgo de descargas eléctricas.

### 3) SEGURIDAD PERSONAL

- a) **Permanezca alerta, controle lo que está haciendo y utilice el sentido común cuando emplee una herramienta eléctrica. No utilice una herramienta eléctrica si está cansado o bajo el efecto de drogas, alcohol o medicamentos.** Un momento de descuido mientras se opera una herramienta eléctrica puede provocar lesiones personales graves.
- b) **Utilice equipos de protección personal. Siempre utilice protección para los ojos.** En las condiciones adecuadas, el uso de equipos de protección, como máscaras para polvo, calzado de seguridad antideslizante, cascos o protección auditiva, reducirá las lesiones personales.

- c) **Evite el encendido por accidente. Asegúrese de que el interruptor esté en la posición de apagado antes de conectarlo a la fuente de energía o paquete de baterías, o antes de levantar o transportar la herramienta.** Transportar herramientas eléctricas con el dedo apoyado en el interruptor o enchufar herramientas eléctricas con el interruptor en la posición de encendido puede propiciar accidentes.
- d) **Retire la clavija de ajuste o la llave de tuercas antes de encender la herramienta eléctrica.** Una llave de tuercas o una clavija de ajuste que quede conectada a una pieza giratoria de la herramienta eléctrica puede provocar lesiones personales.
- e) **No se estire. Conserve el equilibrio y párese adecuadamente en todo momento.** Esto permite un mejor control de la herramienta eléctrica en situaciones inesperadas.
- f) **Use la vestimenta adecuada. No use ropas holgadas ni joyas. Mantenga el cabello, la ropa y los guantes alejados de las piezas en movimiento.** Las ropas holgadas, las joyas o el cabello largo pueden quedar atrapados en las piezas en movimiento.
- g) **Si se suministran dispositivos para la conexión de accesorios con fines de recolección y extracción de polvo, asegúrese de que estén conectados y que se utilicen correctamente.** El uso de dispositivos de recolección de polvo puede reducir los peligros relacionados con el polvo.

### 4) USO Y MANTENIMIENTO DE LA HERRAMIENTA ELÉCTRICA

- a) **No fuerce la herramienta eléctrica. Utilice la herramienta eléctrica correcta para el trabajo que realizará.** Si se la utiliza a la velocidad para la que fue diseñada, la herramienta eléctrica correcta permite trabajar mejor y de manera más segura.

- b) **No utilice la herramienta eléctrica si no puede encenderla o apagarla con el interruptor.** Toda herramienta eléctrica que no pueda ser controlada mediante el interruptor es peligrosa y debe repararse.
- c) **Desconecte el enchufe de la fuente de energía o el paquete de baterías de la herramienta eléctrica antes de realizar ajustes, cambiar accesorios o almacenar la herramienta eléctrica.** Estas medidas de seguridad preventivas reducen el riesgo de encender la herramienta eléctrica en forma accidental.
- d) **Guarde la herramienta eléctrica que no esté en uso fuera del alcance de los niños y no permita que otras personas no familiarizadas con ella o con estas instrucciones operen la herramienta.** Las herramientas eléctricas son peligrosas si son operadas por usuarios no capacitados.
- e) **Realice el mantenimiento de las herramientas eléctricas. Revise que no haya piezas en movimiento mal alineadas o trabadas, piezas rotas o cualquier otra situación que pueda afectar el funcionamiento de la herramienta eléctrica. Si encuentra daños, haga reparar la herramienta eléctrica antes de utilizarla.** Se producen muchos accidentes a causa de las herramientas eléctricas que carecen de un mantenimiento adecuado.
- f) **Mantenga las herramientas de corte afiladas y limpias.** Las herramientas de corte con mantenimiento adecuado y con los bordes de corte afilados son menos propensas a trabarse y son más fáciles de controlar.
- g) **Utilice la herramienta eléctrica, los accesorios y las brocas de la herramienta, etc. de acuerdo con estas instrucciones y teniendo en cuenta las condiciones de trabajo y el trabajo que debe realizarse.** El uso de la

herramienta eléctrica para operaciones diferentes de aquéllas para las que fue diseñada podría originar una situación peligrosa.

#### 5) USO Y MANTENIMIENTO DE LA HERRAMIENTA CON BATERÍAS

- a) **Recargue solamente con el cargador especificado por el fabricante.** Un cargador adecuado para un tipo de paquete de baterías puede originar riesgo de incendio si se utiliza con otro paquete de baterías.
- b) **Utilice herramientas eléctricas sólo con paquetes de baterías específicamente diseñados.** El uso de cualquier otro paquete de baterías puede producir riesgo de incendio y lesiones.
- c) **Cuando no utilice el paquete de baterías, manténgalo lejos de otros objetos metálicos como sujetapapeles, monedas, llaves, clavos, tornillos u otros objetos metálicos pequeños que puedan realizar una conexión desde un terminal al otro.** Los cortocircuitos en los terminales de la batería pueden provocar quemaduras o incendio.
- d) **En condiciones abusivas, el líquido puede ser expulsado de la batería. Evite su contacto. Si entra en contacto accidentalmente, enjuague con agua. Si el líquido entra en contacto con los ojos, busque atención médica.** El líquido expulsado de la batería puede provocar irritación o quemaduras.

#### 6) MANTENIMIENTO

- a) **Solicite a una persona calificada en reparaciones que realice el mantenimiento de su herramienta eléctrica y que sólo utilice piezas de repuesto idénticas.** Esto garantizará la seguridad de la herramienta eléctrica.

## Instrucciones de seguridad para todas las sierras

- a) **⚠PELIGRO: Mantenga las manos alejadas del área y de la hoja de corte. Mantenga la otra mano en el mango auxiliar o en la caja del motor.** Si ambas manos están sujetando la sierra, entonces no podrán ser cortadas por la sierra.
- b) **No ponga las manos debajo de la pieza de trabajo.** El protector no puede protegerle de la hoja debajo de la pieza de trabajo.
- c) **Ajuste la profundidad de corte al grosor de la pieza de trabajo.** Menos de un diente completo de los dientes de la hoja debe ser visible debajo de la pieza de trabajo.
- d) **No sujete nunca la pieza que esté cortando en las manos o atravesada sobre una pierna. Sujete firmemente la pieza de trabajo a una plataforma estable.** Es importante soportar apropiadamente la pieza de trabajo para minimizar la exposición del cuerpo, el atasco de la hoja o la pérdida de control.
- e) **Sujete la herramienta mecánica por las superficies de agarre con aislamiento cuando realice una operación en la que la herramienta de corte podría entrar en contacto con cables ocultos.** El contacto con un cable "con corriente" hará que las partes metálicas de la herramienta mecánica que estén al descubierto también "lleven corriente", lo cual causará descargas al operador.
- f) **Cuando corte al hilo, utilice siempre un tope-guía para cortar al hilo o una guía de borde recto.** Esto mejora la precisión del corte y reduce las probabilidades de que la hoja se atasque.

- g) **Utilice siempre hojas que tengan el tamaño correcto y la forma correcta (de diamante frente a redonda) de agujeros para el eje portaherramienta.** Las hojas que no coincidan con los herrajes de montaje de la sierra funcionarán excéntricamente, causando pérdida de control.
- h) **No use nunca arandelas de hoja o un perno de hoja que estén dañados o sean incorrectos.** Las arandelas y el perno de la hoja se diseñaron especialmente para su sierra, con el fin de lograr un rendimiento óptimo y una seguridad óptima de funcionamiento.

## Instrucciones de seguridad adicionales para todas las sierras

### CAUSAS DEL RETROCESO Y SU PREVENCIÓN POR EL OPERADOR:

- El retroceso es una reacción repentina a una hoja de sierra pellizcada, atascada o desalineada, que hace que una sierra descontrolada se levante y se salga de la pieza de trabajo, hacia el operador.
- Cuando la hoja se pellizca o se atasca fuertemente al cerrarse la sección de corte, la hoja se para y la reacción del motor impulsa la unidad rápidamente hacia atrás, hacia el operador.
- Si la hoja se tuerce o se desalinea en el corte, los dientes ubicados en el borde trasero de la hoja pueden penetrar en la superficie superior de la madera, haciendo que la hoja trepe, se salga de la sección de corte y salte hacia atrás, hacia el operador.

El retroceso es el resultado de un uso inapropiado de la sierra y/o de procedimientos o situaciones de utilización incorrectos y se puede evitar tomando las precauciones apropiadas que se indican a continuación:



- a) **Mantenga un agarre firme con las dos manos en la sierra y posicione los brazos de modo que puedan resistir las fuerzas de retroceso.** Las fuerzas de retroceso pueden ser controladas por el operador, si se toman las precauciones adecuadas.
- b) **Cuando la hoja se esté atascando o cuando se interrumpa un corte por cualquier motivo, suelte el gatillo y sujete la sierra de modo que esté inmóvil en el material hasta que la hoja se detenga por completo. No intente nunca retirar la sierra de la pieza de trabajo ni tirar de la sierra hacia atrás mientras la hoja esté en movimiento o se podría producir retroceso.** Investigue y tome medidas correctivas para eliminar la causa de atasco de la hoja.
- c) **Cuando re arranque una sierra en la pieza de trabajo, centre la hoja de sierra en la sección de corte y asegúrese de que los dientes de la hoja de sierra no estén acoplados en el material.** Si la hoja de sierra se está atascando, podría desplazarse o experimentar retroceso respecto a la pieza de trabajo cuando se arranque la sierra.
- d) **Soporte los paneles grandes para minimizar el riesgo de que la hoja se pellizque y se produzca retroceso.** Los paneles grandes tienden a combarse bajo su propio peso. Se deben colocar soportes debajo del panel a ambos lados, cerca de la línea de corte y cerca del borde del panel.
- e) **No use hojas desafiladas o dañadas.** Las hojas desafiladas o con triscado inapropiado producen una sección de corte estrecha que causa fricción excesiva, atasco de la hoja y retroceso.
- f) **Las palancas de fijación de ajuste de la profundidad y del bisel de la hoja deben estar apretadas y sujetas firmemente antes de realizar el corte.** Si el ajuste de la hoja cambia mientras se realiza el corte, dicho cambio podría causar atasco y retroceso.

- g) **Tenga mucho cuidado al serrar en paredes existentes u otras zonas ciegas.** La hoja que sobresale podría cortar objetos que pueden causar retroceso.

#### INSTRUCCIONES DE SEGURIDAD PARA EL PROTECTOR INFERIOR

- a) **Compruebe el protector inferior para verificar si se cierra apropiadamente antes de cada uso. No utilice la sierra si el protector inferior no se mueve libremente y no se cierra instantáneamente. No sujete nunca con abrazaderas ni amarre el protector inferior en la posición abierta.** Si la sierra se cae accidentalmente, el protector inferior se podría doblar. Suba el protector inferior con el mango retráctil y asegúrese de que se mueve libremente y no toca la hoja ni ninguna otra pieza, en todos los ángulos y profundidades de corte.
- b) **Compruebe el funcionamiento del resorte del protector inferior. Si el protector y el resorte no están funcionando correctamente, se les debe hacer servicio de ajustes y reparaciones antes de la utilización.** El protector inferior podría funcionar con dificultad debido a que haya piezas dañadas, depósitos gomosos o una acumulación de residuos.
- c) **El protector inferior se debe retraer manualmente sólo para realizar cortes especiales, tales como “cortes por penetración” y “cortes compuestos”.** Suba el protector inferior por el mango retráctil y, en cuanto la hoja entre en el material, se debe soltar el protector inferior. Para todas las demás operaciones de aserrado, el protector inferior debe funcionar automáticamente.
- d) **Asegúrese siempre de que el protector inferior esté cubriendo la hoja antes de dejar la sierra en un banco de trabajo o en el piso.** Una hoja que se esté moviendo por inercia hasta detenerse y no esté protegida hará que la sierra

se desplace hacia atrás, cortando todo aquello que esté en su camino. Tenga en cuenta el tiempo que se requiere para que la hoja se detenga después de soltar el interruptor.

**NOTA:** Aunque la información anterior se refiere a la madera, esta sierra sólo puede utilizarse para cortar metal. Puede producirse un rebote al cortar metal.

### Instrucciones de seguridad adicionales específicas para sierras circulares

**⚠️ ADVERTENCIA:** No use discos u hojas abrasivos.

**⚠️ ADVERTENCIA:** No use accesorios de alimentación de agua.

**⚠️ ATENCIÓN:** No intente cortar acero inoxidable, barra de refuerzo, acero endurecido o tratado térmicamente, hierro fundido, mampostería o materiales desconocidos.

- **Utilice abrazaderas u otra forma práctica para asegurar y sostener la pieza de trabajo sobre una plataforma estable.** Sostener el trabajo con la mano o contra el cuerpo no brinda la estabilidad requerida y puede llevar a la pérdida del control.
- **Mantenga el cuerpo de uno u otro lado de la hoja de la sierra, nunca en línea con la misma.** El **RETROCESO** podría despedir la sierra hacia atrás (vea **Causas del retroceso y su prevención por el operador** y **CONTRAGOLPES**).
- **Los orificios de ventilación suelen cubrir piezas en movimiento, por lo que también se deben evitar.** Las piezas en movimiento pueden atrapar prendas de vestir sueltas, joyas o el cabello largo.

**⚠️ ADVERTENCIA:** Use **SIEMPRE** lentes de seguridad. Los anteojos de diario **NO SON** lentes de seguridad. Utilice además una cubrebocas o mascarilla antipolvo si la operación de corte genera demasiado polvo. **SIEMPRE LLEVE EQUIPO DE SEGURIDAD CERTIFICADO:**

- protección ocular ANSI Z87.1 (CAN/GSA Z94.3),

- protección auditiva ANSI S12.6 (S3.19),
- protección respiratoria NIOSH/OSHA/MSHA.

**⚠️ ADVERTENCIA:** Algunas partículas de polvo generadas al lijar, serrar, esmerilar y taladrar con herramientas eléctricas, así como al realizar otras actividades de construcción, contienen químicos que el Estado de California sabe que pueden producir cáncer, defectos congénitos u otras afecciones reproductivas. Ejemplos de estos químicos son:

- plomo de algunas pinturas en base a plomo,
- polvo de sílice proveniente de ladrillos y cemento y otros productos de albañilería, y
- arsénico y cromo provenientes de madera tratada químicamente.

Su riesgo de exposición a estos químicos varía, dependiendo de la frecuencia con la cual realiza usted este tipo de trabajo. Para reducir su exposición a estas sustancias químicas: trabaje en una zona bien ventilada y llevando equipos de seguridad aprobados, como mascarillas antipolvo especialmente diseñadas para filtrar partículas microscópicas.

- **Evite el contacto prolongado con polvo generado por el lijado, aserrado, pulido, taladrado y otras actividades de construcción. Vista ropas protectoras y lave las áreas de la piel expuestas con agua y jabón.** Si permite que el polvo se introduzca en la boca u ojos o quede sobre la piel, puede favorecer la absorción de productos químicos peligrosos.

**⚠️ ADVERTENCIA:** La utilización de esta herramienta puede generar polvo o dispersarlo, lo que podría causar daños graves y permanentes al sistema respiratorio, así como otras lesiones. Siempre use protección respiratoria aprobada por NIOSH (Instituto Nacional de Seguridad y Salud en el Trabajo) u OSHA (Administración de Seguridad y Salud en el Trabajo) apropiada para la exposición al polvo. Dirija las partículas en dirección contraria a la cara y el cuerpo.

**⚠ADVERTENCIA:** Siempre lleve la debida protección auditiva personal en conformidad con ANSI S12.6 (S3.19) durante el uso de esta herramienta. Bajo algunas condiciones y duraciones de uso, el ruido producido por este producto puede contribuir a la pérdida auditiva.

**⚠ATENCIÓN:** Cuando no se utilice, coloque la sierra circular en una superficie estable, lado del zapato abajo, en la que no provocará tropezones o caídas. Algunas herramientas con paquetes de baterías grandes permanecerán en forma vertical, pero pueden ser derribadas fácilmente.

- La etiqueta de su herramienta puede incluir los siguientes símbolos.

A continuación se indican los símbolos y sus definiciones:

V.....voltios	A..... amperios
Hz.....hertz	W..... vatios
min .....minutos	~ o AC ..... corriente alterna
== o DC....corriente directa	≈ o AC/DC... corriente alterna o directa
Ⓛ.....Construcción de Clase I (tierra)	n..... velocidad nominal
Ⓜ.....Construcción de Clase II (doble aislamiento)	n <sub>o</sub> ..... velocidad sin carga
.../min .....por minuto	⊖..... terminal de conexión a tierra
IPM.....impactos por minuto	⚠..... símbolo de advertencia de seguridad
sfpm.....pies de superficie por minuto	
RPM.....revoluciones por minuto	
BPM.....golpes por minuto	
SPM.....pasadas por minuto	

## Instrucciones de seguridad importantes para todas las unidades de batería

Cuando solicite unidades de batería de repuesto, no olvide indicar el número de catálogo y el voltaje. Consulte la tabla al final de este manual para ver la compatibilidad entre cargadores y unidades de batería.

La unidad de batería no viene completamente cargada de fábrica. Antes de usar la unidad de batería y el cargador, lea las siguientes instrucciones de seguridad. Luego, siga los procedimientos de carga indicados.

### LEA TODAS LAS INSTRUCCIONES

- **No cargue o use la batería en atmósferas explosivas, como en presencia de líquidos, gases o polvos inflamables.** Puede que al insertar o sacar la batería del cargador se inflamen el polvo o los gases.
- **NUNCA fuerce la unidad de batería para que entre en el cargador. NO modifique la unidad de batería en ninguna forma para que entre en un cargador no compatible, pues puede producir una ruptura en la unidad de batería y causar lesiones corporales graves.** Consulte la tabla al final de este manual para ver la compatibilidad entre baterías y cargadores.
- Cargue las unidades de batería sólo en cargadores DEWALT.
- **NO salpique con ni sumerja en agua u otros líquidos.**
- **No guarde ni use la herramienta y unidad de batería en lugares donde la temperatura pueda alcanzar o superar los 40 °C (105 °F), tales como cobertizos o construcciones de metal durante el verano).**
- **⚠PELIGRO:** Riesgo de electrocución. Nunca intente abrir el paquete de baterías por ningún motivo. Si la caja del paquete de baterías está agrietada o dañada, no la introduzca en el cargador.

No comprima, deje caer ni dañe el paquete de baterías. No utilice un paquete de baterías o un cargador que haya recibido un golpe fuerte, se haya caído, esté agotado o dañado de alguna forma (por ejemplo, perforado con un clavo, golpeado con un martillo, pisado). Esto puede provocar descargas eléctricas o electrocución. Los paquetes de baterías dañados deben devolverse al centro de mantenimiento para su reciclado.

**NOTA:** Se proveen tapas para almacenamiento y transporte de las baterías, para utilizar siempre cuando la batería esté fuera de la herramienta o del cargador. Retire la tapa antes de colocar la batería en el cargador o en la herramienta.



**⚠ADVERTENCIA: Riesgo de incendio. No guarde o transporte la batería de ninguna manera que permita que los terminales expuestos de la batería entren en contacto con objetos metálicos.** Por ejemplo, no coloque la batería en delantales, bolsillos, cajas de herramientas, cajas de juegos de productos, cajones, etc., con clavos, llaves, tornillos sueltos, etc. sin la tapa. **Transportar baterías puede provocar incendios si los terminales de la batería entran en contacto accidentalmente con materiales conductores como llaves, monedas, herramientas de mano u objetos similares.** Las Normas para Materiales Peligrosos del Departamento de Transporte de los EE.UU. (HMR) concretamente prohíben transportar baterías comercialmente o en aviones (es decir, empacadas en maletas y equipaje de mano) A MENOS que estén debidamente protegidas de cortocircuitos. Por lo tanto, cuando transporte baterías individuales, asegúrese de que los terminales de la batería estén protegidos y bien aislados de materiales que puedan hacer contacto y causar un cortocircuito.

#### INSTRUCCIONES DE SEGURIDAD ESPECÍFICAS PARA BATERÍAS DE NÍQUEL CADMIO (NiCd) O HIDRURO METÁLICO DE NÍQUEL (NiMH)

- **No incinere el paquete de baterías, aun si tiene daños importantes o está completamente desgastado.** El paquete de baterías puede explotar en el fuego.
- **Una pequeña pérdida de líquido de las celdas del paquete de baterías puede presentarse en condiciones de uso o temperatura extremas.** Esto no indica una falla.

Sin embargo, si el sello externo está roto:

- a. y el líquido de la batería entra en contacto con su piel, lávese inmediatamente con agua y jabón durante varios minutos.
- b. y el líquido de la batería entra en contacto con sus ojos, lávelos con agua limpia durante al menos 10 minutos y busque atención médica inmediatamente. **(Nota médica:** el líquido es una solución de hidróxido de potasio al 25%–35%).

#### INSTRUCCIONES DE SEGURIDAD ESPECÍFICAS PARA BATERÍAS DE IONES DE LITIO (Li-Ion)

- **NO incinere la unidad de batería, aunque esté completamente dañada o descargada. La unidad de batería puede explotar si se quema.** Cuando se queman unidades de batería de iones de litio, se producen gases y materiales tóxicos.
- **Si el contenido de la batería entra en contacto con la piel, lave el área de inmediato con agua y un jabón suave.** Si el líquido de la batería entra en contacto con sus ojos, enjuáguelos con agua y los ojos abiertos por 15 minutos o hasta que cese la irritación. Si se requiere de asistencia médica, el electrolito de la batería está compuesto por una mezcla de carbonatos orgánicos líquidos y sales de litio.

- **El contenido de los elementos abiertos de la batería puede causar irritación en el tracto respiratorio.** Salga al aire fresco. Si los síntomas persisten, busque asistencia médica.

**⚠️ ADVERTENCIA:** Peligro de quemaduras. El líquido de la batería puede ser inflamable si se expone a chispas o llamas.

### El sello RBRC™

El sello RBRC™ (Rechargeable Battery Recycling Corporation) en las baterías (o unidades de batería) de níquel cadmio, níquel e hidruro metálico o de iones de litio indica que el costo de reciclaje de estas baterías (o unidades de batería) al llegar al final de su vida de servicio ya ha sido pagado por DEWALT. En algunas áreas, es ilegal depositar baterías de níquel cadmio, níquel e hidruro metálico o de iones de litio gastadas en la basura o la corriente de residuos sólidos urbanos; el programa RBRC proporciona una alternativa ecológica.

RBRC™, en cooperación con DEWALT y otros usuarios de baterías, han establecido programas en los Estados Unidos y Canadá para facilitar la recolección de baterías de níquel cadmio, níquel e hidruro metálico o de iones de litio gastadas. Al llevar sus baterías de níquel cadmio, níquel e hidruro metálico y de iones de litio gastadas a un centro de servicio autorizado por DEWALT o al minorista local para que sean recicladas, ayuda a proteger el medio ambiente y a conservar recursos naturales. También puede comunicarse con el centro de reciclaje de su localidad para mayor información sobre dónde llevar sus baterías gastadas.

RBRC™ es una marca comercial registrada de Rechargeable Battery Recycling Corporation.



## Instrucciones importantes de seguridad para todos los cargadores de baterías

**GUARDE ESTAS INSTRUCCIONES:** Este manual contiene instrucciones de seguridad y operación importantes para los cargadores de baterías.

- Antes de usar el cargador, lea todas las instrucciones y advertencias que se encuentren en el cargador, la unidad de batería y el producto que usa la unidad de batería.

**⚠️ PELIGRO:** riesgo de electrocución. Hay 120 voltios en los terminales de carga. No realice pruebas con objetos conductores. Esto puede provocar descargas eléctricas o electrocución.

**⚠️ ADVERTENCIA:** peligro de descarga eléctrica. No permita que ningún líquido se introduzca en el cargador. Puede producir descargas eléctricas.

**⚠️ ATENCIÓN:** peligro de quemaduras. Para reducir el riesgo de lesiones, sólo cargue baterías recargables marca DEWALT. Otros tipos de baterías pueden estallar y causar así lesiones corporales y daños.

**AVISO:** bajo ciertas condiciones, cuando el cargador está enchufado a una toma de corriente, los contactos de carga expuestos dentro del cargador pueden hacer cortocircuito si entra en contacto con algún material ajeno. Los materiales ajenos conductores por naturaleza, tales como, pero sin limitarse a, el polvo del esmerilado, las virutas metálicas, la lana de acero, el papel de aluminio o cualquier acumulación de partículas metálicas deberían mantenerse alejados de las cavidades del cargador. Desenchufe siempre el cargador de la toma de corriente cuando no haya una unidad de batería en su cavidad. Desenchufe el cargador antes de intentar limpiarlo.

- **NO intente cargar la unidad de batería con otros cargadores que no sean los descritos en este manual.** El cargador y la unidad de batería fueron específicamente diseñados para trabajar en conjunto.

- **Estos cargadores no fueron diseñados para ser utilizados para más que cargar las baterías recargables DEWALT.** Cualquier otro uso puede producir riesgo de incendios, descargas eléctricas o electrocución.
- **No exponga el cargador a la lluvia o a la nieve.**
- **Tire del enchufe y no del cable cuando desconecte el cargador.** De esta forma se reduce el riesgo de daño al enchufe y cable.
- **Asegúrese de que el cable no sea ubicado de manera que podría ser pisado, causar que alguien tropiece con él o ser expuesto a otro tipo de daños y desgastes.**
- **No use un alargador a menos que sea absolutamente necesario.** El uso de un alargador incorrecto podría producir riesgo de incendios, descargas eléctricas o electrocución.
- **Cuando opere una herramienta eléctrica afuera, use un alargador de exterior.** El uso de un alargador de exterior reduce el riesgo de descarga eléctrica.
- **El cable de extensión deben ser de un calibre apropiado para su seguridad.** Mientras menor sea el calibre del hilo, mayor la capacidad del cable. Es decir, un hilo calibre 16 tiene mayor capacidad que uno de 18. Un cable de un calibre insuficiente causará una caída en la tensión de la línea dando por resultado una pérdida de energía y sobrecalentamiento. Cuando se utilice más de un alargador para completar el largo total, asegúrese que los hilos de cada alargador tengan el calibre mínimo. La tabla siguiente muestra el tamaño correcto a utilizar, dependiendo de la longitud del cable y del amperaje nominal de la placa de identificación. Si tiene dudas sobre cuál calibre usar, use un calibre mayor. Cuanto más pequeño sea el número del calibre, más resistente será el cable.

Calibre mínimo para cables de alimentación					
Amperaje	Voltios	Largo total del cordón en metros (pies)			
	120 V	7,6 (25)	15,2 (50)	30,5 (100)	45,7 (150)
	240 V	15,2 (50)	30,5 (100)	61,0 (200)	91,4 (300)
Más de	No más de	AWG			
0	6	18	16	16	14
6	10	18	16	14	12
10	12	16	16	14	12
12	16	14	12	No recomendado	

- **No coloque ningún objeto encima del cargador ni coloque a este sobre una superficie blanda que pudiera bloquear las ranuras de ventilación y resultar en un calor interno excesivo.** Coloque el cargador en un lugar alejado de cualquier fuente de calor. El cargador se ventila a través de las ranuras que se encuentran en la parte superior e inferior de la caja protectora.
- **No opere el cargador si su cable o enchufe están dañados.**
- **No opere el cargador si ha recibido un golpe agudo, si se ha dejado caer o si ha sido dañado de alguna otra forma.** Llévelo a un centro de servicio autorizado.
- **No desarme el cargador; llévelo a un centro de servicio autorizado cuando deba ser reparado.** Si es reensamblado incorrectamente, puede causar descargas eléctricas, electrocución o incendios.
- **Desenchufe el cargador antes de intentar limpiarlo. Esto reducirá el riesgo de descargas eléctricas.** El retirar el paquete de baterías no reducirá este riesgo.

- **NUNCA** intente conectar dos cargadores entre sí.
- **El cargador está diseñado para operar con una corriente eléctrica estándar residencial de 120 voltios. No intente usarlo con ningún otro voltaje. Esto no aplica al cargador vehicular.**

### **Utilización del modo Tune-Up™ automático**

El modo Tune-Up™ automático iguala o equilibra las células individuales en el paquete de baterías de modo que permite que funcione a una capacidad máxima. Los paquetes de baterías deben ajustarse semanalmente o después de 10 ciclos de carga/descarga o siempre que el paquete ya no suministre la misma cantidad de potencia. Para utilizar el Tune-Up™ automático, coloque el paquete de baterías en el cargador y déjelo durante al menos 8 horas. El cargador utilizará los siguientes modos.

1. La luz roja se encenderá y apagará continuamente para indicar que se ha iniciado el ciclo de carga de 1 hora.
2. Cuando el ciclo de carga de 1 hora se complete, la luz permanecerá encendida en forma continua y ya no parpadeará. Esto indica que el paquete está completamente cargado y se puede utilizar en este momento.
3. Si se deja el paquete de baterías en el cargador después del ciclo de carga inicial de 1 hora, el cargador iniciará el modo Tune-Up automático. Este modo continúa hasta 8 horas o hasta que las celdas individuales del paquete de baterías estén igualados. Entonces el paquete de baterías está listo para usar y se puede retirar en cualquier momento durante el modo Tune-up.
4. Una vez que está completo el modo Tune-up, el cargador iniciará una carga de mantenimiento; el indicador rojo quedará encendido.

### **Cargadores**

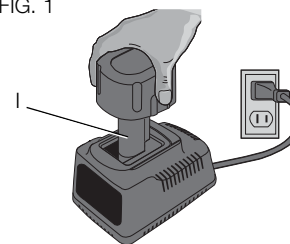
Su herramienta utiliza un cargador DEWALT Asegúrese de leer todas las instrucciones de seguridad antes de usar el cargador. Consulte el gráfico al final del manual para conocer la compatibilidad entre los cargadores y los paquetes de baterías.

### **Procedimiento de carga (Fig. 1)**

**⚠PELIGRO:** Riesgo de electrocución. Hay 120 voltios en los terminales de carga. No realice pruebas con objetos conductores. Esto puede provocar descargas eléctricas o electrocución.

1. Enchufe el cargador en una toma de corriente apropiada antes de insertar la unidad de batería.
2. Inserte la unidad de batería (I) en el cargador, como se muestra en la Fig. 1, comprobando que quede bien colocado dentro del mismo. La luz roja (de carga) parpadeará continuamente para indicar que se ha iniciado el proceso de carga.
3. La luz roja se quedará encendida continuamente cuando se haya completado el proceso de carga. La unidad estará entonces completamente cargada y podrá ser utilizada de inmediato o dejarse en el cargador.

FIG. 1



## Operación de la luz indicadora

PAQUETE CARGANDO.....	
COMPLETAMENTE CARGADO.....	
RETRASO POR PAQUETE CALIENTE/FRÍO.....	
REEMPLAZAR PAQUETE.....	
LÍNEA DE POTENCIA CON PROBLEMAS.....	

## Indicadores de carga

Algunos cargadores están diseñados para detectar determinados problemas que pueden surgir con los paquetes de baterías. Los problemas se indican con una luz roja que se encenderá y apagará rápidamente. De ser así, vuelva a introducir el paquete de baterías en el cargador. Si el problema persiste, intente utilizar un paquete de baterías diferente para determinar si el cargador está en buenas condiciones. Si el nuevo paquete se carga correctamente significa que el paquete original es defectuoso y debe devolverse a un centro de mantenimiento u otro sitio de recopilación para su reciclado. Si el nuevo paquete de baterías presenta el mismo problema que el original, haga probar el cargador en un centro de mantenimiento autorizado.

### RETRASO POR PAQUETE CALIENTE/FRÍO

Algunos cargadores pueden tener una función de Retraso por paquete caliente/frío: cuando el cargador detecta una batería caliente, enciende automáticamente un Retraso por paquete caliente que suspende la carga hasta que la batería se enfría. Después de que la batería se ha enfriado, el cargador cambia automáticamente al modo de Paquete cargando. Esta función garantiza la duración máxima de la batería. La luz roja se enciende y apaga durante períodos prolongados, y durante períodos cortos durante el modo de Retraso por paquete caliente.

## LÍNEA DE POTENCIA CON PROBLEMAS

Algunos cargadores tienen un indicador de Línea de potencia con problemas. Cuando el cargador se utiliza con algunas fuentes de potencia portátiles, como generadores o fuentes que convierten CC a CA, el cargador puede suspender temporalmente el funcionamiento, **ocasión en la que la luz roja se encenderá y apagará rápidamente dos veces, seguido de una pausa.** Esto indica que la fuente de alimentación está fuera de los límites.

### DEJAR EL PAQUETE DE BATERÍAS EN EL CARGADOR

El cargador y el paquete de baterías se pueden dejar conectados con la luz roja encendida indefinidamente. El cargador mantendrá el paquete de baterías como nuevo y completamente cargado.

**NOTA:** El paquete de baterías perderá lentamente su carga si se mantiene fuera del cargador. Si el paquete de baterías no ha permanecido en carga de mantenimiento, podría ser necesario cargarlo nuevamente antes de su uso. Un paquete de baterías también podría perder su carga lentamente si se deja en un cargador que no esté conectado a un suministro de CA apropiado.

**PAQUETES DE BATERÍAS AGOTADAS:** Los cargadores también pueden detectar un paquete de baterías agotado. Estas baterías aún se pueden utilizar, pero no se espera que realicen mucho trabajo. El cargador indicará cuándo reemplazar el paquete de baterías.

## Notas importantes sobre la carga

1. Se puede obtener una mayor duración y un mejor rendimiento si la unidad de batería se carga a una temperatura ambiente de 18–24 °C (65–75 °F). NO cargue la unidad de batería a una temperatura ambiental inferior a +4.5 °C (+40 °F) o superior a +40.5 °C (+105 °F). Esto es importante y evitará causar daños graves a la batería.
2. Puede que el cargador y la unidad de batería se calienten ligeramente durante el proceso de carga. Esto es normal y no



representa ningún problema. Para facilitar el enfriamiento de la unidad de batería después del uso, evite colocar el cargador o la unidad de batería en un lugar cálido, como un cobertizo metálico o un remolque sin aislamiento térmico.

3. Si la unidad de batería no se carga correctamente:
  - a. Verifique el funcionamiento de la toma enchufando una lámpara u otro aparato;
  - b. Revise que la toma de corriente no esté conectada a un interruptor de luz que corte la corriente cuando se corte la luz;
  - c. Mueva el cargador y la unidad de batería a un lugar donde la temperatura ambiental sea aproximadamente 18–24 °C (65–75 °F);
  - d. Si el problema de carga continúa, lleve la herramienta, unidad de batería y el cargador a su centro de servicio local.
4. La unidad de batería debería ser recargada cuando no sea capaz de producir suficiente potencia para trabajos que eran fácilmente realizados antes. NO CONTINÚE usándola bajo estas circunstancias. Siga el procedimiento de carga. También puede cargar una unidad de batería que haya sido usada parcialmente cuando lo desee, sin dañarla.
5. En determinadas condiciones, estando el cargador enchufado en el tomacorriente, algunos materiales extraños pueden provocar un cortocircuito en los contactos de carga expuestos dentro del cargador. Los materiales ajenos conductores por naturaleza, tales como, pero sin limitarse a, el polvo del esmerilado, las virutas metálicas, la lana de acero, el papel de aluminio o cualquier acumulación de partículas metálicas deberían mantenerse alejados de las cavidades del cargador. Desenchufe siempre el cargador de la toma de corriente cuando no haya una unidad de batería en su cavidad. Desenchufe el cargador antes de intentar limpiarlo.

6. No congele ni sumerja el cargador en agua o cualquier otro líquido.

**⚠ADVERTENCIA:** Peligro de descarga eléctrica. No permita que ningún líquido se introduzca en el cargador. Puede producir descargas eléctricas.

**⚠ADVERTENCIA:** Peligro de quemaduras. Nunca intente abrir la unidad de batería por ningún motivo. Si la caja plástica de la unidad de batería se triza o rompe, llévela a un centro de servicio para su reciclaje.

### **Recomendaciones de almacenamiento**

1. El mejor lugar de almacenamiento es uno que sea fresco y seco, lejos de la luz solar directa y del exceso de calor o frío.
2. Para resultados óptimos durante tiempos prolongados de almacenamiento, se recomienda almacenar la unidad de batería completamente cargada en un lugar fresco y seco fuera del cargador.

**NOTA:** Las unidades de batería no deberían almacenarse completamente descargadas. La unidad de batería deberá recargarse antes de ser usada.

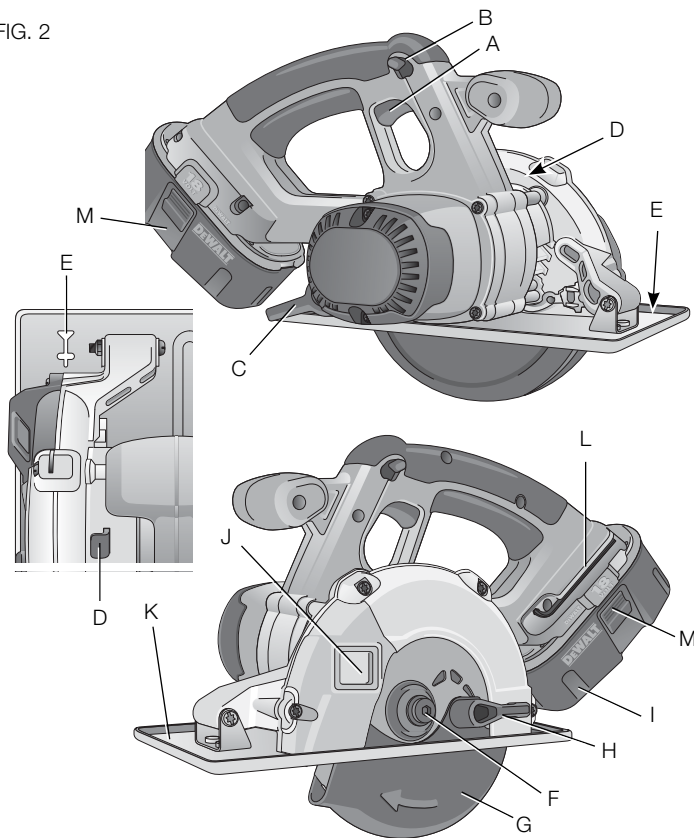
### **GUARDE ESTAS INSTRUCCIONES PARA FUTURAS CONSULTAS**

#### **COMPONENTES (Fig. 2)**

**⚠ADVERTENCIA:** Nunca modifique la herramienta eléctrica, ni tampoco ninguna de sus piezas. Podría producir lesiones corporales o daños.

**Español**

FIG. 2



- |  |   |
|--|---|
| A. Interruptor de gatillo                      | H. Palanca de retracción del protector inferior |
| B. Botón de bloqueo del interruptor de gatillo | I. Unidad de batería                            |
| C. Palanca de ajuste de profundidad            | J. Ventana de observación                       |
| D. Botón de bloqueo de la hoja                 | K. Base   |
| E. Indicador de la línea de corte              | L. Llave para la hoja                           |
| F. Tornillo de sujeción de la hoja             | M. Botones de liberación de la batería          |
| G. Protector inferior                          |   |

#### USO DEBIDO

Esta sierra circular para corte de metal ha sido diseñada para ser utilizada por profesionales para el corte de metales de calibres ligeros y pequeñas formas estructurales de metal.

**NO** debe usarse en condiciones húmedas ni en presencia de líquidos o gases inflamables.

Esta sierra circular para corte de metal es una herramienta eléctrica profesional. **NO** permita que los niños toquen la herramienta. El uso de esta herramienta por parte de operadores inexpertos requiere supervisión.

**⚠ADVERTENCIA:** No haga cortes de orificio o cortes interiores con esta sierra.

#### Ventana (Fig. 2)

**⚠ADVERTENCIA:** No opere la sierra si falta o está dañada la ventana de observación. Si una ventana falta o está dañada, lleve la sierra para que la reparen en un centro de servicio autorizado. Si se opera la sierra sin la ventana, pueden salir volando virutas de metal a través del protector y causar lesiones corporales.

**⚠ATENCIÓN:** No use aceite o fluidos de corte con la sierra para metal. No use fluidos de limpieza para limpiar la ventana.

Los fluidos de limpieza, los fluidos de corte o los aceites pueden dañar el plástico en la ventana, y afectar el funcionamiento seguro de la sierra.

La sierra está equipada con una ventana de observación (J) en el lateral del protector superior. Esta ventana permite al usuario ver una línea de corte en el material a cortar.

### **Base de la sierra (Fig. 2)**

La parte delantera de la base de la sierra (K) tiene un indicador de línea de corte (E) que permite al operador deslizar la sierra a lo largo de las líneas de corte. El alinear la línea de corte con la muesca en la parte delantera de la base y centrarla utilizando el indicador de línea de corte en forma de V modificada permite al operador mantener la hoja alineada con la línea de corte. Si la línea de corte es visible a través de la parte más estrecha del indicador de la línea de corte, la hoja pasará directamente por encima de la línea de corte.

### **OPERACIÓN**

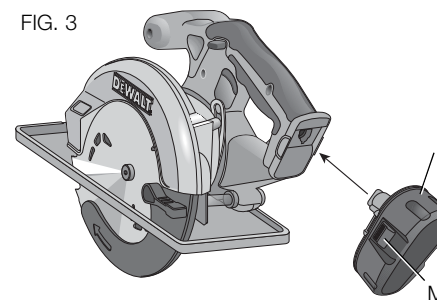
**⚠ ADVERTENCIA:** Para reducir el riesgo de lesiones personales graves, apague la herramienta y desconéctela de la fuente de alimentación antes de instalar y retirar accesorios, ajustar o cambiar configuraciones o realizar reparaciones. Un arranque accidental podría causar lesiones.

### **Cómo instalar y retirar la unidad de batería (Fig. 3)**

**NOTA:** Para mejores resultados, verifique que su unidad de batería esté completamente cargada.

Para instalar la unidad de batería (I) en el mango de la herramienta, alinee la muesca de la parte interior del mango de la herramienta con la unidad de batería y deslícela firmemente en el mango hasta escuchar activarse el seguro, como lo muestra la Figura 3.

FIG. 3



Para retirar la unidad de alimentación de la herramienta, presione los botones de liberación (M) y tire firmemente de la unidad de alimentación para sacarla del mango de la herramienta. Insértela en el cargador tal como se describe en la sección del cargador de este manual.

### **Interruptor (Fig. 2)**

La sierra está controlada por un interruptor de gatillo (A) y un botón de bloqueo (B). El botón de bloqueo debe presionarse antes de que el interruptor de gatillo encienda la sierra. Suelte el gatillo para apagar la sierra.

**NOTA:** Esta herramienta no se ha diseñado para permitir el bloqueo del interruptor en la posición de encendido. Nunca debe intentar bloquearse la sierra en dicha posición.

### **Cambiar las hojas (Fig. 1, 4–6)**

**⚠ ADVERTENCIA:** Para reducir el riesgo de lesiones personales graves, apague la herramienta y desconéctela de la fuente de alimentación antes de instalar y retirar accesorios, ajustar o cambiar configuraciones o realizar reparaciones. Un arranque accidental podría causar lesiones.

## CÓMO INSTALAR LA HOJA

1. Coloque la arandela de sujeción interior (O) en el eje de la sierra con la superficie plana grande mirando hacia afuera, hacia la hoja (Fig. 4, 5).
2. Eche hacia atrás el protector inferior de la hoja (G) y coloque la hoja en el eje de la sierra contra la arandela de sujeción interior (O), asegurándose de que la hoja gire en el sentido adecuado (el sentido de la flecha de rotación en la hoja de la sierra y los dientes deben apuntar a la misma dirección que la dirección de la flecha de rotación de la sierra). No suponga que lo impreso en la hoja siempre estará mirando hacia usted cuando esté bien instalada. Cuando eche hacia atrás el protector inferior de la hoja para instalar la hoja, compruebe el estado y el funcionamiento de dicho protector para asegurarse de que funcione adecuadamente. Asegúrese de que se mueve libremente y no toca la hoja ni cualquier otra parte, en todos los ángulos y profundidades de corte.
3. Coloque la arandela de sujeción exterior (P) en el eje de la sierra con la superficie plana grande contra la hoja con el lado biselado mirando hacia afuera.

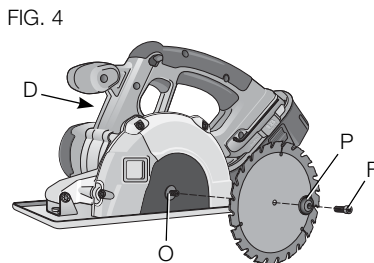
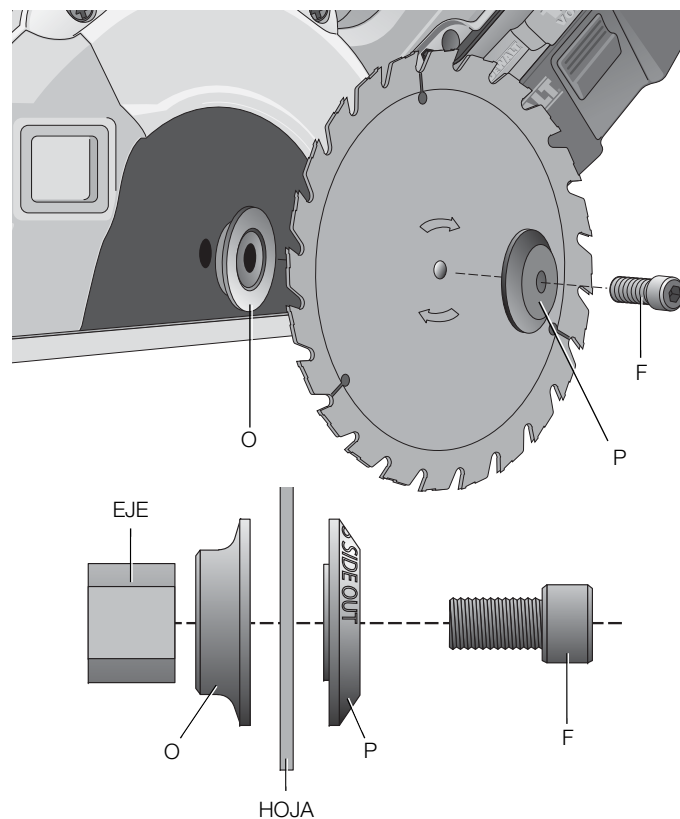
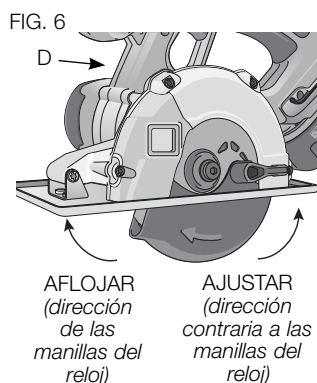


FIG. 5



- Enrosque el tornillo de sujeción de la hoja (F) en el eje de la sierra a mano (el tornillo tiene roscas izquierdas y debe girarse en sentido antihorario para apretarse). (Fig. 6)
- Presione el botón de bloqueo de la hoja (D) mientras gira el eje de la sierra con la llave de la hoja (M, Fig. 1) hasta que el bloqueo de la hoja se active y la hoja deje de rotar.
- Apriete el tornillo de sujeción de la hoja firmemente utilizando la llave de la hoja.



**AVISO:** No active nunca el bloqueo de la hoja mientras la sierra esté en funcionamiento, ni lo active para detener la herramienta. No encienda nunca la sierra mientras esté activado el bloqueo de la hoja. Se producirán graves daños a la sierra.

#### PARA CAMBIAR LA HOJA

- Para aflojar el tornillo de sujeción de la hoja (F), presione el botón de bloqueo de la hoja (D) y gire el eje de la sierra con la llave de la hoja hasta que el bloqueo de la hoja se active y la hoja deje de rotar. Con el bloqueo de la hoja activado, gire el tornillo de sujeción de la hoja en sentido horario con la llave de la hoja (el tornillo tiene roscas izquierdas y debe girarse en sentido horario para aflojarse).
- Saque solamente el tornillo de sujeción de la hoja (F) y la arandela de sujeción exterior (P). Saque la hoja vieja.
- Limpie las virutas de metal que hayan podido acumularse en el área del protector o de la arandela de sujeción y compruebe el estado y el funcionamiento del protector inferior de la hoja como se indicó anteriormente. No lubrique esta área.

- Seleccione la hoja adecuada para la aplicación (véase la sección **Hojas**). Use siempre las hojas que tengan el tamaño correcto (diámetro) con el agujero central de tamaño y forma adecuados para montarlas en el eje de la sierra. Asegúrese siempre de que la velocidad recomendada máxima (rpm) de la hoja de la sierra sea igual o superior a la velocidad (rpm) de la sierra.
- Siga los pasos 2 a 6 bajo **Cómo instalar la hoja**, asegurándose de que la hoja gire en sentido correcto.

#### PROTECTOR INFERIOR DE LA HOJA

**⚠ADVERTENCIA:** El protector inferior de la hoja es una característica de seguridad que reduce el riesgo de lesiones corporales graves. No use nunca la sierra si falta el protector inferior o si está dañado, ensamblado incorrectamente o no funciona bien. No dependa del protector inferior de la hoja para que lo proteja en todas las circunstancias. Su seguridad depende de la observación de todas las advertencias y precauciones, así como del funcionamiento adecuado de la sierra. Compruebe que el protector inferior esté bien cerrado antes de cada uso, como se indica en las Reglas de seguridad adicionales para sierras circulares. Si falta el protector inferior de la hoja o no funciona bien, lleve la sierra para que sea reparada antes de utilizarla. Para garantizar la seguridad y fiabilidad del producto, las reparaciones, el mantenimiento y los ajustes deben realizarse por un centro de servicio autorizado o por otra organización de servicio cualificada, utilizando siempre piezas de repuesto idénticas.

**⚠ADVERTENCIA:** En ciertas condiciones de uso, pueden incrustarse virutas de metal en las superficies del protector inferior, ocasionando que éste se roce con el protector superior. Compruebe el funcionamiento del protector inferior antes de cada uso y saque las virutas incrustadas.

## Hojas

**⚠️ ADVERTENCIA:** Para minimizar el riesgo de lesión a los ojos, use siempre protección ocular. El carburo es un material duro pero quebradizo. Los objetos extraños en la pieza de trabajo como el alambre o los clavos pueden hacer que las puntas se rajen o se rompan. Opere la sierra únicamente cuando el protector de la hoja de la sierra adecuado esté bien puesto. Monte la hoja bien en la rotación adecuada antes de utilizarla y utilice siempre una hoja limpia y afilada.

Hoja	Diámetro	Dientes	Aplicación
DWA7770	140 mm (5,5 pulg.)	30	Corte de metal ferroso de uso general

Si necesita ayuda con respecto a las hojas, llame al 1-800-4-DEWALT (1-800-433-9258).

### CONTRAGOLPES

El retroceso es una reacción repentina a una hoja de sierra pellizcada, atascada o desalineada, que hace que una sierra descontrolada se levante y se salga de la pieza de trabajo, hacia el operador. Cuando la hoja se pellizca o se atasca fuertemente al cerrarse la sección de corte, la hoja se para y la reacción del motor impulsa la unidad rápidamente hacia atrás, hacia el operador. Si la hoja se tuerce o se desalinea en el corte, los dientes ubicados en el borde trasero de la hoja pueden penetrar en la superficie superior de la madera, haciendo que la hoja trepe, se salga de la sección de corte y salte hacia atrás, hacia el operador.

Suelen ocurrir contragolpes cuando se presentan alguna o algunas de las siguientes condiciones:

#### 1. SOPORTE INADECUADO DE LA PIEZA DE TRABAJO

- Caída o levantamiento inadecuado de la pieza que se desprende, lo que hace que el disco quede atrapado (Fig. 9).
- Cortes en material que sólo se apoya por los extremos (Fig. 9). Al tiempo que el material se debilita, éste se pandea

y cierra el canal de corte, lo que ocasiona que el disco quede atrapado.

- Corte desde la parte inferior de piezas voladas en dirección vertical. La pieza que caerá podría trabar el disco.
- Corte de tiras largas y angostas. La pieza que se separa puede trabar el disco.
- Sujetar la guarda inferior con una superficie que se encuentre por debajo del material que se está cortando, lo que reduce por un momento el control del operador. La sierra se puede levantar parcialmente del corte, lo que incrementará la posibilidad de un atorón del disco.

#### 2. AJUSTE INCORRECTO DE LA PROFUNDIDAD DE CORTE EN LA SIERRA

Para hacer el corte más eficiente, la hoja no debe sobresalir más de lo necesario para exponer la de uno de sus dientes, como lo muestra la Figura 8. Esto permite que la base soporte la hoja y minimiza la torsión o el enganche del material. Vea la sección encabezada **Ajuste de la profundidad del corte**.

#### 3. DOBLECES EN EL DISCO (DESVIACIONES EN EL CORTE)

- Empujar demasiado para cortar a duras puede ocasionar que el disco se doble.
- Tratar de girar la sierra durante un corte (tratar de regresar a la línea marcada) puede causar doblez.
- Se corren los mismo peligros al tratar de alcanzar zonas alejadas u operar la sierra con poco control del operador (fuera de balance).
- Se propicia el mismo riesgo al cambiar de mano o cambiar la posición del cuerpo mientras se corta.
- También podría suceder así al regresar la unidad para limpiar el disco.

#### 4. EMPLEO DE DISCOS SUCIOS O SIN FILO

Los discos sucios o mellados ocasionan carga excesiva en la sierra. Para compensar la carga, el operador empujará

normalmente con más fuerza, lo que incrementará la carga aún más y propiciará que el disco se trabe en el canal de corte. Los discos desgastados pueden tener también una luz menor, lo que aumentará la oportunidad de que el disco se doble e incrementará la carga.

### 5. REINICIACION DE UN CORTE CON LOS DIENTES DEL DISCO BLOQUEADOS POR EL MATERIAL

Debe permitirse que la sierra alcance su velocidad máxima antes de iniciar un corte después que la unidad se ha detenido con el disco en el canal de corte. No hacerlo así causará que la sierra se atasque y ocurra contragolpe.

Cualquier otra condición que podría producir el enganche, el trabado, la torsión o el desalineamiento de la hoja podría causar rebote. Remítase a las secciones **Instrucciones de seguridad adicionales para todas las sierras** y a **Hojas** para ver los procedimientos y las técnicas que minimizarán la ocurrencia de rebote.

### Ajuste de profundidad (Fig. 7, 8)

**⚠ ADVERTENCIA:** Para reducir el riesgo de lesiones personales graves, apague la herramienta y desconéctela de la fuente de alimentación antes de instalar y retirar accesorios, ajustar o cambiar configuraciones o realizar reparaciones. Un arranque accidental podría causar lesiones.

La sierra para corte de metal está equipada con una base pivotante que permite al operador fijar la profundidad de corte. Para obtener el corte más eficiente, fije el ajuste de profundidad de modo que un diente de la hoja se proyecte por debajo del material a cortar. Esta distancia se mide desde la punta del diente hasta la parte inferior de la hendidura que sigue a ese diente. Esto reduce al mínimo la fricción de la hoja, despeja las virutas de metal del corte, resulta en un aserrado más frío y rápido y reduce la posibilidad de rebote.

FIG. 7

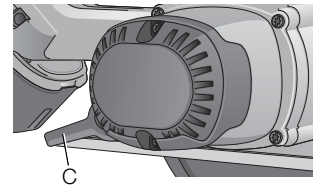
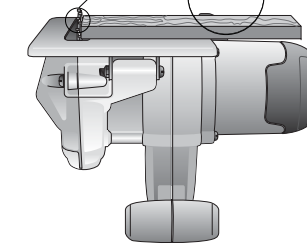


FIG. 8



### PARA FIJAR LA PROFUNDIDAD DEL CORTE

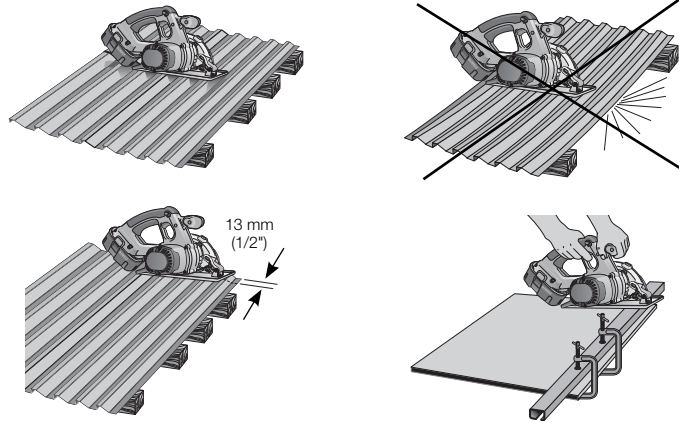
1. Recueste la pieza de material que piensa cortar a lo largo de la hoja, como se muestra.
2. Observe cuánto sobresale el diente más allá del material.
3. Afloje la palanca de ajuste de profundidad (C) y mueva la base para cambiar la profundidad del corte.
4. Vuelva a ajustar firmemente la palanca de ajuste de profundidad.

### Soporte de la pieza de trabajo (Fig. 9)

#### CORTE DE LÁMINAS DE METAL

La Figura 9 muestra la forma correcta e incorrecta de apoyar una hoja grande. Para evitar el rebote, apoye el material cerca del corte. No lo apoye lejos del corte. Si el material se apoya lejos del corte, atascará la hoja y causará un rebote. Al cortar tiras delgadas, mantenga la hoja como mínimo a media pulgada (aproximadamente 13 mm) del borde del material. Las tiras delgadas pueden atascarse, causar un rebote y aumentar el riesgo de lesiones corporales.

FIG. 9



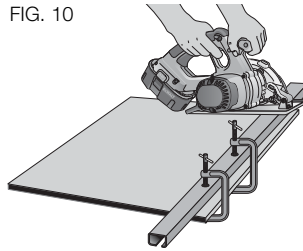
### CORTE DE PIEZAS DE METAL RECTANGULARES

Sujete el material que piense cortar a un banco de trabajo o a otra superficie de trabajo, como se muestra arriba.

#### Cortar (Fig. 10, 11)

1. Sujete la sierra firmemente con ambas manos. La Figura 10 muestra una posición apropiada de las manos. Mantenga el cuerpo a un lado de la línea a lo largo de la que está cortando. Esto lo protegerá de lesiones relacionadas con el rebote.
2. Al cortar los extremos de piezas de metal rectangulares, coloque

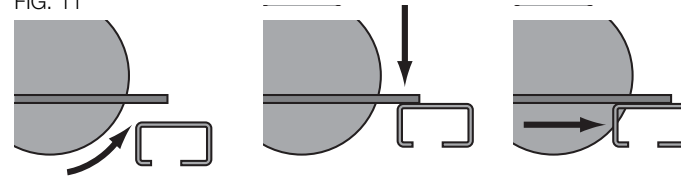
FIG. 10



la parte más ancha de la base en la parte del material que está sujeta al banco de trabajo o a otro apoyo, no en la parte del material que se caerá cuando se haga el corte.

3. Presione el interruptor tipo gatillo y permita que la sierra alcance la velocidad máxima antes de que la hoja entre en contacto con el material a cortar (Fig. 11).

FIG. 11



4. Empuje la sierra hacia adelante a una velocidad que permita a la hoja cortar sin esfuerzo.
5. Cuando termine un corte, libere el gatillo y deje que la hoja se detenga antes de levantar la sierra de la pieza de trabajo. Al levantar la sierra, el protector se cerrará automáticamente por debajo de la hoja.

#### CORREGIR UN CORTE

Si su corte comienza a salirse de la línea, no trate de regresarlo a la línea a la fuerza. Si trata de corregir a la fuerza, la sierra puede trabarse y rebotar. En cambio, libere el interruptor y deje que la hoja se detenga por completo. Luego, haga retroceder la sierra para sacarla del corte. Vuelva a poner en funcionamiento la sierra y vuelva a introducirla en el corte, siguiendo la línea de corte deseada.

**⚠ ADVERTENCIA:** No apile los materiales para cortar. No corte a través de los tornillos con la sierra. No toque la hoja, la pieza de trabajo o las virutas de metal con las manos desnudas inmediatamente después de cortar, ya que están extremadamente calientes y pueden quemarle la piel.



## **Maximizar la duración de la hoja**

Para prolongar la duración de la hoja, siga estas prácticas:

- No fuerce la hoja a través del metal. La sierra debe cortar a su propio ritmo y a una velocidad constante.
- Cambie las hojas cuando ya no resulte fácil empujar la sierra a través del corte, cuando el motor esté muy forzado o cuando se acumule un calor excesivo en la hoja.
- Mantenga la base de la sierra firmemente contra el metal que está cortando.
- Si el metal que está cortando vibra o se agita, sujete el material lo más cerca posible del corte y reduzca la velocidad de corte.

## **MANTENIMIENTO**

**⚠ADVERTENCIA:** Para reducir el riesgo de lesiones personales graves, apague la herramienta y desconéctela de la fuente de alimentación antes de instalar y retirar accesorios, ajustar o cambiar configuraciones o realizar reparaciones. Un arranque accidental podría causar lesiones.

### **Cambiar la ventana de observación (Fig. 1)**

**⚠ADVERTENCIA:** No opere la sierra si falta o está dañada la ventana de observación. Si una ventana falta o está dañada, lleve la sierra para que la reparen en un centro de servicio autorizado. Si se opera la sierra sin la ventana, pueden salir volando virutas de metal a través del protector y causar lesiones corporales.

La ventana de observación (J) debe ser cambiada por un centro de servicio autorizado DEWALT.

### **Limpieza**

**⚠ADVERTENCIA:** Sople la suciedad y el polvo de todos los conductos de ventilación con aire seco, al menos una vez por

semana. Para reducir el riesgo de lesiones, utilice siempre protección para los ojos aprobada ANSI Z87.1 al realizar esta tarea.

**⚠ADVERTENCIA:** Nunca utilice solventes ni otros químicos abrasivos para limpiar las piezas no metálicas de la herramienta. Estos productos químicos pueden debilitar los materiales plásticos utilizados en estas piezas. Utilice un paño humedecido sólo con agua y jabón neutro. Nunca permita que penetre líquido dentro de la herramienta ni sumerja ninguna de las piezas en un líquido.

**⚠ATENCIÓN:** No use ningún fluido de limpieza en la ventana de observación para evitar empañarla y comprometer el funcionamiento seguro de la sierra. Use aire comprimido para eliminar el polvo acumulado en la parte interior de la ventana de observación. Use lentes de seguridad cuando lo haga.

### **INSTRUCCIONES DE LIMPIEZA DEL CARGADOR**

**⚠ADVERTENCIA:** Riesgo de descarga eléctrica. Desconecte el cargador del tomacorriente de CA antes de limpiarlo. Se puede usar un paño o un cepillo suave, que no sea metálico, para quitar la suciedad y la grasa de la parte externa del cargador. No use agua ni cualquier otra solución de limpieza.

### **Lubricación**

La herramienta usa rodamientos autolubrificantes y no requieren ser relubricados. Sin embargo, sí se recomienda que una vez al año lleve o envíe la herramienta a un centro de servicio autorizado para una limpieza, inspección y lubricación a fondo del cárter.

### **Accesorios**

**⚠ADVERTENCIA:** Debido a que no se han probado con este producto otros accesorios que no sean los que ofrece DEWALT., el uso de dichos accesorios con esta herramienta podría ser peligroso. Para reducir el riesgo de lesiones, con este producto deben usarse sólo los accesorios recomendados por DEWALT.

Utilice solamente hojas para cortar metal DEWALT de 140 mm (5,5 pulg.) con un eje de 20 mm.

Los accesorios que se recomiendan para utilizar con la herramienta están disponibles a un costo adicional en su distribuidor local o en un centro de mantenimiento autorizado. Si necesita ayuda para localizar algún accesorio, póngase en contacto con DEWALT Industrial Tool Co., 701 East Joppa Road, Baltimore, MD 21286, llame al 1-800-4-DEWALT (1-800-433-9258) o visite nuestro sitio web: [www.dewalt.com](http://www.dewalt.com).

### Reparaciones

El cargador y las unidades de batería no pueden ser reparados.

Para asegurar la SEGURIDAD y la CONFIABILIDAD del producto, las reparaciones, el mantenimiento y los ajustes deben (inclusive inspección y cambio de carbones) ser realizados en un centro de mantenimiento en la fábrica DEWALT, en un centro de mantenimiento autorizado DEWALT u por otro personal de mantenimiento calificado. Utilice siempre piezas de repuesto idénticas.

#### PARA REPARACIÓN Y SERVICIO DE SUS HERRAMIENTAS ELÉCTRICAS, FAVOR DE DIRIGIRSE AL CENTRO DE SERVICIO MÁS CERCANO

##### CULIACAN, SIN

Bldv.Emiliano Zapata 5400-1 Poniente  
Col. San Rafael (667) 717 89 99

##### GUADALAJARA, JAL

Av. La Paz #1779 - Col. Americana Sector Juárez (33) 3825 6978

##### MEXICO, D.F.

Eje Central Lázaro Cárdenas No. 18  
Local D, Col. Obrera (55) 5588 9377

##### MERIDA, YUC

Calle 63 #459-A - Col. Centro (999) 928 5038

##### MONTERREY, N.L.

Av. Francisco I. Madero 831 Poniente - Col. Centro (818) 375 23 13

##### PUEBLA, PUE

17 Norte #205 - Col. Centro (222) 246 3714

##### QUERETARO, QRO

Av. San Roque 274 - Col. San Gregorio (442) 2 17 63 14

##### SAN LUIS POTOSI, SLP

Av. Universidad 1525 - Col. San Luis (444) 814 2383

##### TORREON, COAH

Blvd. Independencia, 96 Pte. - Col. Centro (871) 716 5265

##### VERACRUZ, VER

Prolongación Díaz Mirón #4280 - Col. Remes (229) 921 7016

##### VILLAHERMOSA, TAB

Constitución 516-A - Col. Centro (993) 312 5111

#### PARA OTRAS LOCALIDADES:

Si se encuentra en México, por favor llame al (55) 5326 7100

Si se encuentra en U.S., por favor llame al  
1-800-433-9258 (1-800 4-DEWALT)

### Póliza de Garantía

IDENTIFICACIÓN DEL PRODUCTO:

Sello o firma del Distribuidor.

Nombre del producto: \_\_\_\_\_

Mod./Cat.: \_\_\_\_\_ Marca: \_\_\_\_\_

Núm. de serie: \_\_\_\_\_

(Datos para ser llenados por el distribuidor)

Fecha de compra y/o entrega del producto: \_\_\_\_\_

Nombre y domicilio del distribuidor donde se adquirió el producto: \_\_\_\_\_

Este producto está garantizado por un año a partir de la fecha de entrega, contra cualquier defecto en su funcionamiento, así como en materiales y mano de obra empleados para su fabricación. Nuestra garantía incluye la reparación o reposición del producto y/o componentes sin cargo alguno para el cliente, incluyendo mano de obra, así como los gastos de transportación razonablemente erogados derivados del cumplimiento de este certificado.

Para hacer efectiva esta garantía deberá presentar su herramienta y esta póliza sellada por el establecimiento comercial donde se adquirió el producto, de no contar con ésta, bastará la factura de compra.

#### **EXCEPCIONES**

Esta garantía no será válida en los siguientes casos:

- Cuando el producto se hubiese utilizado en condiciones distintas a las normales;
- Cuando el producto no hubiese sido operado de acuerdo con el instructivo de uso que se acompaña;
- Cuando el producto hubiese sido alterado o reparado por personas distintas a las enlistadas al final de este certificado.

Anexo encontrará una relación de sucursales de servicio de fábrica, centros de servicio autorizados y franquiciados en la República Mexicana, donde podrá hacer efectiva su garantía y adquirir partes, refacciones y accesorios originales.

#### **Registro en línea**

Gracias por su compra. Registre su producto ahora para:

- **SERVICIO EN GARANTÍA:** Si completa esta tarjeta, podrá obtener un servicio en garantía más eficiente, en caso de que exista un problema con su producto.
- **CONFIRMACIÓN DE PROPIEDAD:** En caso de una pérdida que cubra el seguro, como un incendio, una inundación o un robo, el registro de propiedad servirá como comprobante de compra.

- **PARA SU SEGURIDAD:** Si registra el producto, podremos comunicarnos con usted en el caso improbable que se deba enviar una notificación de seguridad conforme a la Federal Consumer Safety Act (Ley Federal de Seguridad de Productos para el Consumidor).

Registro en línea en [www.dewalt.com/register](http://www.dewalt.com/register).

#### **Garantía limitada por tres años**

DEWALT reparará, sin cargo, cualquier falla que surja de defectos en el material o la fabricación del producto, por hasta tres años a contar de la fecha de compra. Esta garantía no cubre fallas de las piezas causadas por su desgaste normal o abuso a la herramienta. Para mayores detalles sobre la cobertura de la garantía e información acerca de reparaciones realizadas bajo garantía, visítenos en [www.dewalt.com](http://www.dewalt.com) o diríjase al centro de servicio más cercano. Esta garantía no aplica a accesorios o a daños causados por reparaciones realizadas o intentadas por terceros. Esta garantía le otorga derechos legales específicos, además de los cuales puede tener otros dependiendo del estado o la provincia en que se encuentre.

Además de la garantía, las herramientas DEWALT están cubiertas por:

#### **1 AÑO DE SERVICIO GRATUITO**

DEWALT mantendrá la herramienta y reemplazará las piezas gastadas por su uso normal, sin cobro, en cualquier momento durante un año a contar de la fecha de compra. Los artículos gastados por la clavadora, tales como la unidad de hoja y retorno del impulsador, no están cubiertas.

#### **2 AÑOS DE SERVICIO GRATUITO PARA UNIDADES DE ALIMENTACIÓN DEWALT**

DC9071, DC9091, DC9096, DC9280, DC9360, DC9180, DCB120, DCB201 y DCB203

### 3 AÑOS DE SERVICIO GRATUITO PARA UNIDADES DE ALIMENTACIÓN DeWALT

DCB200, DCB204

#### UNIDADES DE BATERÍA DeWALT

La garantía del producto quedará nula si la unidad de batería ha sido alterada de cualquier manera. DeWALT no es responsable de ninguna lesión causada por alteraciones y podría iniciar un procedimiento judicial por fraude de garantía hasta el máximo grado permisible por la ley.

#### GARANTÍA DE REEMBOLSO DE SU DINERO POR 90 DÍAS

Si no está completamente satisfecho con el desempeño de su máquina herramienta, láser o clavadora DeWALT, cualquiera sea el motivo, podrá devolverlo hasta 90 días de la fecha de compra con su recibo y obtener el reembolso completo de su dinero – sin necesidad de responder a ninguna pregunta.

**AMÉRICA LATINA:** Esta garantía no se aplica a los productos que se venden en América Latina. Para los productos que se venden en América Latina, debe consultar la información de la garantía específica del país que viene en el empaque, llamar a la compañía local o visitar el sitio Web a fin de obtener esa información.

**REEMPLAZO GRATUITO DE LAS ETIQUETAS DE ADVERTENCIAS:** Si sus etiquetas de advertencia se vuelven ilegibles o faltan, llame al 1-800-433-9258 (1-800-4-DeWALT) para que se le reemplacen gratuitamente.



**⚠ ADVERTENCIA:** Compruebe el sistema de protección. ¡Debe cubrir la hoja al instante! sostenga la sierra con ambas manos. Apoye y sujete el trabajo. Use protección ocular. Use siempre protección respiratoria adecuada. Usar con batería DeWalt. Saque la unidad de batería al cambiar las hojas o hacer ajustes. No use aceite de corte.

**⚠ AVERTISSEMENT:** Vérifier le bon fonctionnement du carter de protection. Il doit pouvoir recouvrir la lame instantanément ! Maintenir la scie à deux mains. Soutenir et arrimer le travail. Porter une protection oculaire. Porter systématiquement un système de protection des voies respiratoires adéquats. Utiliser avec un bloc-pile DeWalt. Retirer le bloc-pile avant de changer la lame ou d'effectuer des réglages. Ne pas utiliser d'huile de coupe.

DeWALT INDUSTRIAL TOOL CO., BALTIMORE, MD 21286 USA  
FOR SERVICE INFORMATION CALL: 1-800-4-DeWALT www.DeWALT.com

#### ESPECIFICACIONES

DCS372 18 V 3 700 rpm

SOLAMENTE PARA PROPÓSITO DE MÉXICO:  
IMPORTADO POR: DeWALT INDUSTRIAL TOOL CO. S.A. DE C.V.  
AVENIDA ANTONIO DOVALI JAIME, # 70 TORRE B PISO 9  
COLONIA LA FE, SANTA FÉ  
CÓDIGO POSTAL : 01210  
DELEGACIÓN ALVARO OBREGÓN  
MÉXICO D.F.  
TEL. (52) 555-326-7100  
R.F.C.: BDE810626-1W7

Para servicio y ventas consulte  
"HERRAMIENTAS ELECTRICAS"  
en la sección amarilla.









DeWALT Battery and Charger Systems																							
Battery	Output	Chargers/Charge Time (Minutes) – Chargeurs/Durée de charge (Minutes) – Cargadores de baterías/Tiempo de carga (Minutos)																					
Cat #	Voltage	120 Volts																	12 Volts				
		DW9106	DW9118	DW9107	DW9108	DW9116	DW9216	DW9117	DW9111	DC011	DC022	DC9000	DC9310	DC9320	DCB095	DCB100	DCB101	DCB103	DW0246	DCB119	DW0249	DW9109	DC9319
DC9360	36	X	X	X	X	X	X	X	X	X	X	60	X	X	X	X	X	X	X	X	X	X	X
DC9280	28	X	X	X	X	X	X	X	X	X	60	X	X	X	X	X	X	X	X	X	X	X	X
DW0242	24	X	X	X	X	X	X	X	X	X	X	X	X	X	X	X	X	X	60	X	60	X	X
DC9096	18	X	X	X	60	60	60	20	60	60	60	X	60	60	X	X	X	60	X	X	X	60	60
DC9099	18	X	X	X	45	45	45	15	45	45	45	X	45	45	X	X	X	45	X	X	X	45	45
DC9180	18	X	X	X	X	X	X	X	X	X	X	60	60	60	X	X	X	60	X	X	X	X	60
DC9181	18	X	X	X	X	X	X	X	X	X	X	30	30	X	X	X	30	X	X	X	X	30	30
DCB080	8	X	X	X	X	X	X	X	X	X	X	X	X	60	X	X	X	X	X	X	X	X	X
DCB200	20	X	X	X	X	X	X	X	X	X	X	X	X	X	X	60	60	X	90	X	X	X	X
DCB201	20	X	X	X	X	X	X	X	X	X	X	X	X	X	X	30	30	X	45	X	X	X	X
DCB203	20	X	X	X	X	X	X	X	X	X	X	X	X	X	X	40	40	X	60	X	X	X	X
DCB204	20	X	X	X	X	X	X	X	X	X	X	X	X	X	X	80	80	X	120	X	X	X	X
DW9096	18	X	X	X	60	60	60	20	60	60	60	X	60	60	X	X	X	60	X	X	X	60	60
DW9098	18	X	X	X	30	30	30	12	30	30	30	X	30	30	X	X	X	30	X	X	X	30	30
DW9099	18	X	X	X	45	45	45	15	45	45	45	X	45	45	X	X	X	45	X	X	X	45	45
DC9091	14.4	90	115	60	60	60	20	60	60	60	X	60	60	X	X	X	60	X	X	X	X	60	60
DC9094	14.4	60	90	45	45	45	15	45	45	45	X	45	45	X	X	X	45	X	X	X	45	45	
DW9091	14.4	60	90	45	45	45	15	45	45	45	X	45	45	X	X	X	45	X	X	X	45	45	
DW9094	14.4	45	60	30	30	30	12	30	30	30	X	30	30	X	X	X	30	X	X	X	30	30	
DCB120	12	X	X	X	X	X	X	X	X	X	X	X	X	X	X	40	30	30	X	40	X	X	X
DC9071	12	90	115	60	60	60	20	60	60	60	X	60	60	X	X	X	60	X	X	X	60	60	
DW9050	12	40	X	X	X	X	X	X	X	X	X	X	X	X	X	X	X	X	X	X	X	X	X
DW9071	12	60	90	45	45	45	15	45	45	45	X	45	45	X	X	X	45	X	X	X	45	45	
DW9072	12	45	60	30	30	30	12	30	30	30	X	30	30	X	X	X	30	X	X	X	30	30	
DW9048	9.6	40	X	X	X	X	X	X	X	X	X	X	X	X	X	X	X	X	X	X	X	X	X
DW9061	9.6	60	90	45	45	45	15	45	45	45	X	45	45	X	X	X	45	X	X	X	45	45	
DW9062	9.6	45	60	30	30	30	12	30	30	30	X	30	30	X	X	X	30	X	X	X	30	30	
DW9057	7.2	45	60	30	30	30	12	30	30	30	X	30	30	X	X	X	30	X	X	X	30	30	

**"X" Indicates that the battery pack is not compatible with that specific charger.**  
 \*X" indique que le bloc-piles n'est pas compatible avec ce chargeur.  
 Una "X" indica que el paquete de baterías no es compatible con ese determinado cargador.

**All charge times are approximate. Actual charge time may vary. Read the instruction manual for more specific information.**  
 Les durées de charge sont approximatives; la durée de charge réelle peut varier. Lire le manuel d'utilisation pour obtenir des renseignements plus précis.  
 El tiempo de duración de carga es aproximado; la duración de carga real puede variar. Lea el manual de instrucciones para obtener información más precisa.

DEWALT Industrial Tool Co., 701 Joppa Road, Baltimore, MD 21286  
 (MAR13) Part No. N287859 DCS372 Copyright © 2012, 2013 DEWALT

The following are trademarks for one or more DEWALT power tools: the yellow and black color scheme, the "D" shaped air intake grill, the array of pyramids on the handgrip, the kit box configuration, and the array of lozenge-shaped humps on the surface of the tool.