

*If you have questions or comments, contact us.  
Pour toute question ou tout commentaire, nous contacter.  
Si tiene dudas o comentarios, contáctenos.*

**1-800-4-DEWALT • [www.dewalt.com](http://www.dewalt.com)**

**INSTRUCTION MANUAL  
GUIDE D'UTILISATION  
MANUAL DE INSTRUCCIONES**

INSTRUCTIVO DE OPERACIÓN, CENTROS DE SERVICIO Y PÓLIZA DE GARANTÍA. **ADVERTENCIA:** LÉASE ESTE INSTRUCTIVO ANTES DE USAR EL PRODUCTO.

**DEWALT®**

**DCT414  
12V Max\* Cordless IR Thermometer  
Thermomètre IR sans fil, 12 V max\*  
Termómetro IR Inalámbrico 12 V Máx\***



### Definitions: Safety Guidelines

The definitions below describe the level of severity for each signal word. Please read the manual and pay attention to these symbols.

**⚠ DANGER:** Indicates an imminently hazardous situation which, if not avoided, **will** result in **death or serious injury**.

**⚠ WARNING:** Indicates a potentially hazardous situation which, if not avoided, **could** result in **death or serious injury**.

**⚠ CAUTION:** Indicates a potentially hazardous situation which, if not avoided, **may** result in **minor or moderate injury**.

**NOTICE:** Indicates a practice **not related to personal injury** which, if not avoided, **may** result in **property damage**.

IF YOU HAVE ANY QUESTIONS OR COMMENTS ABOUT THIS OR ANY DEWALT TOOL, CALL US TOLL FREE AT: **1-800-4-DEWALT (1-800-433-9258)**.



**WARNING:** To reduce the risk of injury, read the instruction manual.

### General Power Tool Safety Warnings



**WARNING!** Read all safety warnings and all instructions. Failure to follow the warnings and instructions may result in electric shock, fire and/or serious injury.

### SAVE ALL WARNINGS AND INSTRUCTIONS FOR FUTURE REFERENCE

The term "power tool" in the warnings refers to your mains-operated (corded) power tool or battery-operated (cordless) power tool.

### WORK AREA SAFETY

- a) **Keep work area clean and well lit.** Cluttered or dark areas invite accidents.
- b) **Keep children and bystanders away while operating a power tool.** Distractions can cause you to lose control.

### PERSONAL SAFETY

- a) **Stay alert, watch what you are doing and use common sense when operating a power tool. Do not use a power tool while you are tired or under the influence of drugs, alcohol or medication.** A moment of inattention while operating power tools may result in serious personal injury.
- b) **Use personal protective equipment. Always wear eye protection.** Protective equipment such as dust mask, non-skid safety shoes, hard hat, or hearing protection used for appropriate conditions will reduce personal injuries.
- c) **Prevent unintentional starting. Ensure the switch is in the off position before connecting to power source and/or battery pack, picking up or carrying the tool.** Carrying power tools with your finger on the switch or energizing power tools that have the switch on invites accidents.
- d) **Do not overreach. Keep proper footing and balance at all times.** This enables better control of the power tool in unexpected situations.
- e) **Dress properly. Do not wear loose clothing or jewelry. Keep your hair, clothing and gloves away from moving parts.** Loose clothes, jewelry or long hair can be caught in moving parts.

### POWER TOOL USE AND CARE

- a) **Do not use the power tool if the switch does not turn it on and off.** Any power tool that cannot be controlled with the switch is dangerous and must be repaired.
- b) **Disconnect the plug from the power source and/or the battery pack from the power tool before making any**

**adjustments, changing accessories, or storing power tools.** Such preventive safety measures reduce the risk of starting the power tool accidentally.

- c) **Store idle power tools out of the reach of children and do not allow persons unfamiliar with the power tool or these instructions to operate the power tool.** Power tools are dangerous in the hands of untrained users.
- d) **Maintain power tools. Check for misalignment or binding of moving parts, breakage of parts and any other condition that may affect the power tool's operation. If damaged, have the power tool repaired before use.** Many accidents are caused by poorly maintained power tools.
- e) **Use the power tool, accessories and tool bits, etc. in accordance with these instructions, taking into account the working conditions and the work to be performed.** Use of the power tool for operations different from those intended could result in a hazardous situation.

#### BATTERY TOOL USE AND CARE

- a) **Recharge only with the charger specified by the manufacturer.** A charger that is suitable for one type of battery pack may create a risk of fire when used with another battery pack.
- b) **Use power tools only with specifically designated battery packs.** Use of any other battery packs may create a risk of injury and fire.
- c) **When battery pack is not in use, keep it away from other metal objects like paper clips, coins, keys, nails, screws, or other small metal objects that can make a connection from one terminal to another.** Shorting the battery terminals together may cause burns or a fire.
- d) **Under abusive conditions, liquid may be ejected from the battery; avoid contact. If contact accidentally occurs, flush with water. If liquid contacts eyes, additionally seek**

**medical help.** Liquid ejected from the battery may cause irritation or burns.

#### SERVICE

- a) **Have your power tool serviced by a qualified repair person using only identical replacement parts.** This will ensure that the safety of the power tool is maintained.

#### Safety Information for Lasers and IR Thermometers

**⚠ WARNING: Laser Radiation Exposure.** Do not disassemble or modify the IR thermometers. There are no user serviceable parts inside. Serious eye injury could result.

**⚠ WARNING: Hazardous Radiation.** Use of controls or adjustments or performance of procedures other than those specified herein may result in hazardous radiation exposure.

- **Do not operate the IR thermometers in explosive atmospheres, such as in the presence of flammable liquids, gases, or dust.** Power tools create sparks which may ignite the dust or fumes.
- **Use the IR thermometer only with the specifically designated DEWALT batteries.** Use of any other batteries may create a risk of fire.
- **Store the IR thermometer out of reach of children and other untrained persons.** Lasers are dangerous in the hands of untrained users.
- **Tool service must be performed only by qualified repair personnel. Service or maintenance performed by unqualified personnel may result in injury.** To locate your nearest DEWALT service center call 1-800-4-DEWALT (1-800-433-9258) or go to <http://www.dewalt.com> on the Internet.
- **Do not use optical tools such as a telescope or transit to view the laser beam.** Serious eye injury could result.

- **Do not place the IR thermometer in a position which may cause anyone to intentionally or unintentionally stare into the laser beam.** Serious eye injury could result.
  - **Do not disassemble the IR thermometer.** There are no user serviceable parts inside.
  - **Do not modify the IR thermometer in any way.** Modifying the tool may result in hazardous laser radiation exposure.
  - **Do not operate the IR thermometer around children or allow children to operate the IR thermometer.** Serious eye injury may result.
  - **Do not remove or deface warning labels.** Removing labels increases the risk of exposure to radiation.
  - **Do not use IR thermometer for testing temperatures of cooked or uncooked food.**
  - **Do not use for taking human or animal body temperatures.**
- ⚠ **WARNING:** Burn hazard. The reading may not be accurate if the thermometer is in the presence of strong electromagnetic fields (such as arc welders, induction heaters, radio transmitters, etc.). Do not use the IR thermometer under these conditions.
- ⚠ **CAUTION:** Use of controls or adjustments or performance of procedures other than those specified herein may result in hazardous radiation exposure.
- The label on your tool may include the following symbols.
    - V .....volts
    - mW .....milliwatts
    - ☀ ..... Laser warning symbol
    - nm .....wavelength in nanometers
    - 2 .....Class 2 Laser
    - 3a .....Class 3a Laser

### WARNING LABELS

For your convenience and safety, the following label is on your IR thermometer (Fig. 2).

⚠ **WARNING:** LASER RADIATION DO NOT STARE INTO BEAM CLASS 2 LASER PRODUCT MAXIMUM OUTPUT POWER <1mW.

⚠ **WARNING: ALWAYS** use safety glasses. Everyday eyeglasses are NOT safety glasses. Also use face or dust mask if cutting operation is dusty. ALWAYS WEAR CERTIFIED SAFETY EQUIPMENT:

- ANSI Z87.1 eye protection (CAN/CSA Z94.3)

⚠ **WARNING:** This product contains chemicals known to the State of California to cause cancer, and birth defects or other reproductive harm.

⚠ **CAUTION:** When not in use, place tool on its side on a stable surface where it will not cause a tripping or falling hazard. Some tools with large battery packs will stand upright on the battery pack but may be easily knocked over.

### Important Safety Instructions for All Battery Packs

When ordering replacement battery packs, be sure to include catalog number and voltage. Consult the chart at the end of this manual for compatibility of chargers and battery packs.

The battery pack is not fully charged out of the carton. Before using the battery pack and charger, read the safety instructions below. Then follow charging procedures outlined.

### READ ALL INSTRUCTIONS

- **Do not charge or use battery in explosive atmospheres, such as in the presence of flammable liquids, gases or dust.** Inserting or removing the battery from the charger may ignite the dust or fumes.

- **NEVER force battery pack into charger. DO NOT modify battery pack in any way to fit into a non-compatible charger as battery pack may rupture causing serious personal injury.** Consult the chart at the end of this manual for compatibility of batteries and chargers.
- Charge the battery packs only in DEWALT chargers.
- **DO NOT splash or immerse in water or other liquids.**
- **Do not store or use the tool and battery pack in locations where the temperature may reach or exceed 105 °F (40 °C) (such as outside sheds or metal buildings in summer).**

**⚠ WARNING:** Fire hazard. Never attempt to open the battery pack for any reason. If battery pack case is cracked or damaged, do not insert into charger. Do not crush, drop or damage battery pack. Do not use a battery pack or charger that has received a sharp blow, been dropped, run over or damaged in any way (i.e., pierced with a nail, hit with a hammer, stepped on). Damaged battery packs should be returned to service center for recycling.

**⚠ WARNING:** Fire hazard. Do not store or carry battery so that metal objects can contact exposed battery terminals. For example, do not place battery in aprons, pockets, tool boxes, product kit boxes, drawers, etc., with loose nails, screws, keys, etc. **Transporting batteries can possibly cause fires if the battery terminals inadvertently come in contact with conductive materials such as keys, coins, hand tools and the like.** The US Department of Transportation Hazardous Material Regulations (HMR) actually prohibit transporting batteries in commerce or on airplanes (i.e., packed in suitcases and carry-on luggage) UNLESS they are properly protected from short circuits. So when transporting individual batteries, make sure that the battery terminals are protected and well insulated from materials that could contact them and cause a short circuit.

#### SPECIFIC SAFETY INSTRUCTIONS FOR LITHIUM ION (Li-Ion)

- **Do not incinerate the battery pack even if it is severely damaged or is completely worn out.** The battery pack can explode in a fire. Toxic fumes and materials are created when lithium ion battery packs are burned.
- **If battery contents come into contact with the skin, immediately wash area with mild soap and water.** If battery liquid gets into the eye, rinse water over the open eye for 15 minutes or until irritation ceases. If medical attention is needed, the battery electrolyte is composed of a mixture of liquid organic carbonates and lithium salts.
- **Contents of opened battery cells may cause respiratory irritation.** Provide fresh air. If symptoms persists, seek medical attention.

**⚠ WARNING:** Burn hazard. Battery liquid may be flammable if exposed to spark or flame.

#### The RBRC™ Seal

The RBRC™ (Rechargeable Battery Recycling Corporation) Seal on the nickel cadmium, nickel metal hydride or lithium ion batteries (or battery packs) indicate that the costs to recycle these batteries (or battery packs) at the end of their useful life have already been paid by DEWALT. In some areas, it is illegal to place spent nickel cadmium, nickel metal hydride or lithium ion batteries in the trash or municipal solid waste stream and the RBRC program provides an environmentally conscious alternative.

RBRC™, in cooperation with DeWALT and other battery users, has established programs in the United States and Canada to facilitate the collection of spent nickel cadmium, nickel metal hydride or



lithium ion batteries. Help protect our environment and conserve natural resources by returning the spent nickel cadmium, nickel metal hydride or lithium ion batteries to an authorized DeWALT service center or to your local retailer for recycling. You may also contact your local recycling center for information on where to drop off the spent battery.

RBRC™ is a registered trademark of the Rechargeable Battery Recycling Corporation.

### **Important Safety Instructions for All Battery Chargers**

**SAVE THESE INSTRUCTIONS:** This manual contains important safety and operating instructions for battery chargers.

- Before using charger, read all instructions and cautionary markings on charger, battery pack, and product using battery pack.

**⚠ WARNING:** Shock hazard. Do not allow any liquid to get inside charger. Electric shock may result.

**⚠ CAUTION:** Burn hazard. To reduce the risk of injury, charge only DEWALT rechargeable batteries. Other types of batteries may burst causing personal injury and damage.

**NOTICE:** Under certain conditions, with the charger plugged in to the power supply, the charger can be shorted by foreign material. Foreign materials of a conductive nature such as, but not limited to, grinding dust, metal chips, steel wool, aluminum foil, or any buildup of metallic particles should be kept away from charger cavities. Always unplug the charger from the power supply when there is no battery pack in the cavity. Unplug charger before attempting to clean.

**⚠ WARNING:**

- **DO NOT attempt to charge the battery pack with any chargers other than the ones in this manual.** The charger and battery pack are specifically designed to work together.

- **These chargers are not intended for any uses other than charging DEWALT rechargeable batteries.** Any other uses may result in risk of fire, electric shock or electrocution.
- **Do not expose charger to rain or snow.**
- **Pull by plug rather than cord when disconnecting charger.** This will reduce risk of damage to electric plug and cord.
- **Make sure that cord is located so that it will not be stepped on, tripped over, or otherwise subjected to damage or stress.**
- **Do not use an extension cord unless it is absolutely necessary.** Use of improper extension cord could result in risk of fire, electric shock, or electrocution.
- **When operating a power tool outdoors, use an extension cord suitable for outdoor use.** Use of a cord suitable for outdoor use reduces the risk of electric shock.
- **An extension cord must have adequate wire size (AWG or American Wire Gauge) for safety.** The smaller the gauge number of the wire, the greater the capacity of the cable, that is 16 gauge has more capacity than 18 gauge. An undersized cord will cause a drop in line voltage resulting in loss of power and overheating. When using more than one extension to make up the total length, be sure each individual extension contains at least the minimum wire size. The following table shows the correct size to use depending on cord length and nameplate ampere rating. If in doubt, use the next heavier gauge. The smaller the gauge number, the heavier the cord.

| Minimum Gauge for Cord Sets |               |       |                                       |            |                 |            |
|-----------------------------|---------------|-------|---------------------------------------|------------|-----------------|------------|
| Ampere Rating               |               | Volts | Total Length of Cord in Feet (meters) |            |                 |            |
|                             |               | 120V  | 25 (7.6)                              | 50 (15.2)  | 100 (30.5)      | 150 (45.7) |
|                             |               | 240V  | 50 (15.2)                             | 100 (30.5) | 200 (61.0)      | 300 (91.4) |
| More Than                   | Not More Than | AWG   |                                       |            |                 |            |
| 0                           | 6             |       | 18                                    | 16         | 16              | 14         |
| 6                           | 10            |       | 18                                    | 16         | 14              | 12         |
| 10                          | 12            |       | 16                                    | 16         | 14              | 12         |
| 12                          | 16            |       | 14                                    | 12         | Not Recommended |            |

- **Do not place any object on top of charger or place the charger on a soft surface that might block the ventilation slots and result in excessive internal heat.** Place the charger in a position away from any heat source. The charger is ventilated through slots in the top and the bottom of the housing.
- **Do not operate charger with damaged cord or plug.**
- **Do not operate charger if it has received a sharp blow, been dropped, or otherwise damaged in any way.** Take it to an authorized service center.
- **Do not disassemble charger; take it to an authorized service center when service or repair is required.** Incorrect reassembly may result in a risk of electric shock, electrocution or fire.
- **Disconnect the charger from the outlet before attempting any cleaning. This will reduce the risk of electric shock.** Removing the battery pack will not reduce this risk.
- **NEVER** attempt to connect 2 chargers together.
- **The charger is designed to operate on standard 120V household electrical power. Do not attempt to use it on any other voltage.** This does not apply to the vehicular charger.

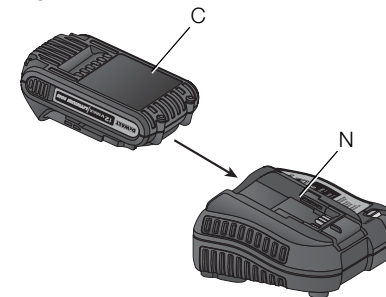
## Chargers

Your tool uses a DEWALT charger. Be sure to read all safety instructions before using your charger. Consult the chart on the back cover of this manual for compatibility of chargers and battery packs.

### Charging Procedure (Fig. 1)

1. Plug the charger into an appropriate outlet before inserting battery pack.
2. Insert the battery pack (C) into the charger (N), as shown in Figure 1, making sure the pack is fully seated in charger. The red (charging) light will blink continuously indicating that the charging process has started.

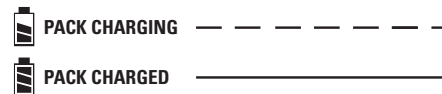
FIG. 1



3. The completion of charge will be indicated by the red light remaining ON continuously. The pack is fully charged and may be used at this time or left in the charger.

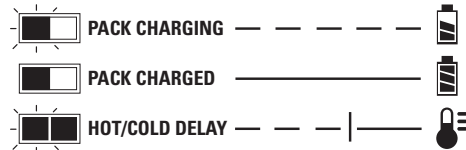
### Indicator Light Operation

DCB106





**DCB107, DCB112**



**Charge Indicators**

**HOT/COLD PACK DELAY**

**DCB107, DCB112**

The DCB107 and DCB112 chargers have a hot/cold delay feature. When the charger detects a battery that is hot, it automatically delays charging until the battery has cooled. When the charger detects a battery that is cold, it automatically delays charging until the battery has warmed.

The red light will continue to blink, but a yellow indicator light will be illuminated during this operation. Once the battery has cooled, the yellow light will turn off and the charger will resume the charging procedure.

**LEAVING THE BATTERY PACK IN THE CHARGER**

The charger and battery pack can be left connected with the charge indicator showing Pack Charged.

**WEAK BATTERY PACKS:** Weak batteries will continue to function but should not be expected to perform as much work.

**FAULTY BATTERY PACKS:** This charger will not charge a faulty battery pack. The charger will indicate faulty battery pack by refusing to light or by displaying problem pack or charger.

**NOTE:** This could also mean a problem with a charger.

**Wall Mounting**

**DCB107, DCB112**

These chargers are designed to be wall mountable or to sit upright on a table or work surface.

If wall mounting, locate the charger within reach of an electrical outlet. Mount the charger securely using drywall screws at least 1" (25.4 mm) long, screwed into wood to an optimal depth leaving approximately 7/32" (5.5 mm) of the screw exposed.

**Important Charging Notes**

1. Longest life and best performance can be obtained if the battery pack is charged when the air temperature is between 65 °F and 75 °F (18–24 °C). DO NOT charge the battery pack in an air temperature below +40 °F (+4.5 °C), or above +105 °F (+40.5 °C). This is important and will prevent serious damage to the battery pack.
2. The charger and battery pack may become warm to touch while charging. This is a normal condition, and does not indicate a problem. To facilitate the cooling of the battery pack after use, avoid placing the charger or battery pack in a warm environment such as in a metal shed, or an uninsulated trailer.
3. If the battery pack does not charge properly:
  - a. Check operation of receptacle by plugging in a lamp or other appliance;
  - b. Check to see if receptacle is connected to a light switch which turns power off when you turn out the lights;
  - c. Move charger and battery pack to a location where the surrounding air temperature is approximately 65 °F–75 °F (18–24 °C);
  - d. If charging problems persist, take the tool, battery pack and charger to your local service center.

4. The battery pack should be recharged when it fails to produce sufficient power on jobs which were easily done previously. DO NOT CONTINUE to use under these conditions. Follow the charging procedure. You may also charge a partially used pack whenever you desire with no adverse affect on the battery pack.
5. Foreign materials of a conductive nature such as, but not limited to, grinding dust, metal chips, steel wool, aluminum foil, or any buildup of metallic particles should be kept away from charger cavities. Always unplug the charger from the power supply when there is no battery pack in the cavity. Unplug charger before attempting to clean.
6. Do not freeze or immerse charger in water or any other liquid.

**⚠ WARNING:** Shock hazard. Don't allow any liquid to get inside charger. Electric shock may result.

**⚠ CAUTION:** Never attempt to open the battery pack for any reason. If the plastic housing of the battery pack breaks or cracks, return to a service center for recycling.

### **Storage Recommendations**

1. The best storage place is one that is cool and dry away from direct sunlight and excess heat or cold.
2. For long storage, it is recommended to store a fully charged battery pack in a cool dry place out of the charger for optimal results.

**NOTE:** Battery packs should not be stored completely depleted of charge. The battery pack will need to be recharged before use.

### **SAVE THESE INSTRUCTIONS FOR FUTURE USE**

### **Laser Information**

The Infrared Thermometer (IR thermometer) is a Class 2 laser product and complies with 21 CFR 1040.10 and 1040.11 except for deviations pursuant to laser notice No. 50, dated June 24, 2007.

### **Emissivity**

Emissivity describes the energy-emitting characteristics of materials. Most organic materials and painted or oxidized surfaces have an emissivity of about 0.95 which is the default setting. It is recommended to compensate for inaccurate readings that may result from measuring materials with low emissivity values such as shiny metal surfaces. Cover these surfaces with masking tape or flat black paint (<148°C/300°F) and use the default (0.95) setting. Allow time for the tape or paint to reach the same temperature as the surface beneath it and then measure the temperature of the tape or painted surface.

If you cannot paint or use tape, then you can compensate your measurements with the emissivity selector. Even with the adjustable emissivity, it can be difficult to get a completely accurate infrared measurement of a target with a shiny or metallic surface. Experimentation may be required to benchmark temperatures, and experience will help you choose the best setting for specific measurements.

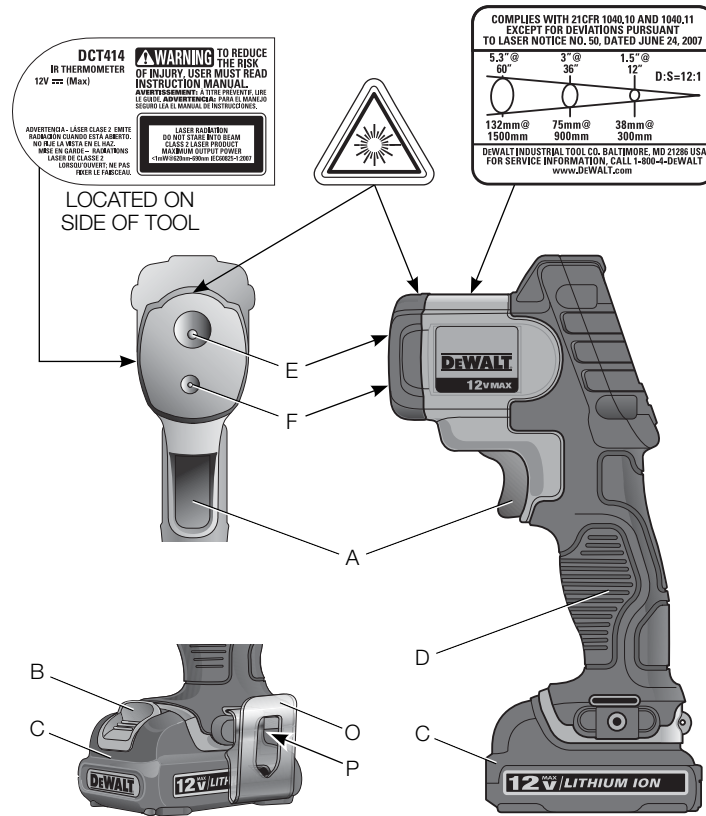
The thermometer has emissivity adjustable from 0.1 to 1.0 in increments of 0.01. Refer to the Nominal Emissivity Table in this manual. The reference to emissivity settings in the table are suggestions for typical situations and your particular situation may differ.

**NOTE:** Calibration of this product was performed at 0.95 emissivity.

### **COMPONENTS (Fig. 1-3)**

**⚠ WARNING:** Never modify the power tool or any part of it. Damage or personal injury could result.

FIG. 2



- A. Measurement trigger
- B. Battery release button
- C. DEWALT 12V Max\* Lithium Ion Battery
- D. Main handle
- E. IR sensor
- F. Laser/pointer beam
- G. LCD screen
- H. Alarm mode button: is used to select the type of alarm and to set the high (HAL) and low (LAL) temperature limits for the alarm.
  - Alarm 1 – temperature has reached the set limit, indicated by the red/blue LED (M)
  - Alarm 2 – temperature has reached the set limit, indicated by a beeper sound
  - Alarm 3 – temperature has reached the set limit, indicated by both the LED and the beeper
- I. Min/Max/Avg Mode Button: Displays either the lowest, highest or average temperature.
- J. Adjustment Button: Used with each mode button to set desired value.
- K. EMS Mode Button: Set emissivity value.
- L. C/F Mode Button: Used to set temperature units of measure (Celsius or Fahrenheit).
- M. LED Indicator - Active in Alarm 1 and Alarm 3 modes. Blue: serves as alarm to show that temperature has reached the set **minimum**.

English

Red: serves as alarm to show that temperature has reached the set **maximum**.

N. Battery charger

### SCREEN ICONS: (FIG. 3)

**Hold** – Will display after you release the trigger to let you know the last temperature read.

**Scan** – Will display while you hold the trigger down looking for differing temperatures.

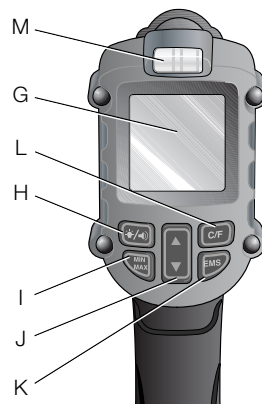
**Alarm setting** – this icon will let you know what alarm you have chosen to display; color indicator, beep or both.

**F or C** – Indicates units of measure for temperature

**Battery** – Will indicate how much charge is remaining on the battery.

**NOTE:** The low battery indicator is located directly above the temperature reading on the screen. The bars on low battery indicator will indicate the strength of the battery. The IR Thermometer may continue to operate for a short time while the batteries continue to drain, but the beams will quickly dim. After fresh batteries are installed, and the IR Thermometer is turned on again, the IR Thermometer will return to its full brightness.

FIG. 3



### INTENDED USE

The IR Thermometer measures surface temperatures by measuring the amount of infrared emitted off the object. This type of measurement is a non-contact measurement of the surfaces temperature. This tool comes fully assembled. This tool has been designed with features that allow for quick and easy set-up.

### Belt Hook (Fig. 2) (Optional Accessory)

**⚠ WARNING: To reduce the risk of serious personal injury, DO NOT suspend tool overhead or suspend objects from the belt hook. ONLY hang tool's belt hook from a work belt.**

**⚠ Warning: To reduce the risk of serious personal injury, ensure the screw (P) holding the belt hook is secure.**

**IMPORTANT:** When attaching or removing the belt hook, use only the screw (P) that is provided.

The belt hook (O) can be attached to either side of the tool using only the screw (P) provided, to accommodate left- or right- handed users. If the hook is not desired at all, it can be removed from the tool.

To move belt hook, remove the screw (P) that holds the belt hook in place then reassemble on the opposite side.

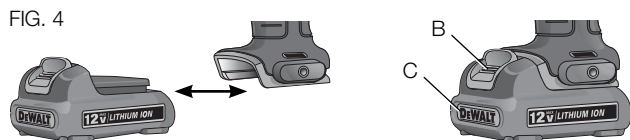
### OPERATION

**⚠ WARNING: To reduce the risk of serious personal injury, turn tool off and disconnect battery pack before making any adjustments or removing/installing attachments or accessories.**

## Installing and Removing the Battery Pack (Fig. 4)

**NOTE:** Make sure your battery pack is fully charged.

To install the battery pack (C) into the tool handle, align the battery with the rails inside the tool's handle and slide it firmly into the handle until you hear the lock snap into place.



To remove the battery pack from the tool, press the release button (B) and firmly pull the battery pack out of the tool handle. Insert it into the charger as described in the charger section of this manual.

### Select Operating Mode

Read the following steps before operating the IR thermometer.

#### CHOOSE UNITS OF MEASUREMENT

Turn the unit on by engaging the trigger. Once the screen comes on push the C/F button until the units of measurement is on the correct setting for the application.

#### CHOOSE EMISSIVITY

Turn the unit on by engaging the trigger, once the screen comes on push the EMS button for emissivity adjustment. When then EMS is flashing on the screen, use the up or down arrow buttons to choose the emissivity. Please refer to the chart in order to choose the correct emissivity. Remember, emissivity is adjustable by 0.01.

| NOMINAL EMISSIVITY TABLE |       |                      |       |
|--------------------------|-------|----------------------|-------|
| MATERIAL                 | VALUE | MATERIAL             | VALUE |
| Default****              | 0.95  | Lead*                | 0.50  |
| Aluminum*                | 0.30  | Oil                  | 0.94  |
| Asbestos                 | 0.95  | Paint                | 0.93  |
| Asphalt                  | 0.95  | Plastic**            | 0.95  |
| Brass*                   | 0.50  | Rubber               | 0.95  |
| Ceramic                  | 0.95  | Sand                 | 0.90  |
| Concrete                 | 0.95  | Steel*               | 0.80  |
| Copper*                  | 0.60  | Water                | 0.93  |
| Glass (plate)            | 0.85  | Wood***              | 0.94  |
| Iron*                    | 0.70  |                      |       |
| * Oxidized               |       | *** Natural          |       |
| ** Opaque, over 20 mils  |       | **** Factory Setting |       |

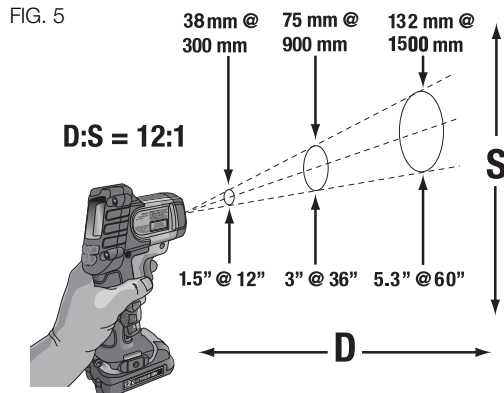
### CHOOSE ALARM SETTINGS AND HIGH/LOW TEMPERATURES

- Engage the trigger to turn the unit.
- Push the ALM button.
- When the ALM is flashing on the screen use the up and down arrows to select the alarm type.
  - Alarm 1 – temperature has reached the set limit, indicated by the red/blue LED (M)
  - Alarm 2 – temperature has reached the set limit, indicated by a beeper sound
  - Alarm 3 – temperature has reached the set limit, indicated by both the LED and the beeper
- Push the ALM button again to confirm selection.

5. The HAL (high alarm) will now flash. Use the up and down arrows to select the high temperature limit. When the temperature is exceeded, the alarm will activate.
6. Push the ALM button. The LAL (low alarm) will now flash. Use the up and down arrows to select the low temperature limit. When the temperature has descended, the alarm will activate.
7. Press ALM button again for the main screen.
8. Temperature readings can now be taken.

#### DISTANCE TO SPOT (FIG. 5)

IR Thermometers have a "Cone Effect" where the further the thermometer is from the object, the larger the area being measured. The IR Thermometer has a 12:1 distance to spot (12:1) ratio, for every 12" (305 mm) away from the object it will measure 1" (25 mm). The object that is being tested needs to be larger than the spot size to ensure accurate readings.



#### KEY NOTES IF HAVING TROUBLE TAKING MEASUREMENT

1. Make sure to apply masking tape or flat black paint to surfaces that are highly reflective (use the default 0.95 emissivity setting).
2. Make sure to have the correct emissivity for the material you are testing. Refer to **Emissivity** and **Nominal Emissivity Table**.
3. Clean the material before testing if there is heavy dirt, grease, etc.

#### Operating Tips

- Use only the 12V Max\* DEWALT lithium ion battery.
- Ensure batteries are in good working condition. If the low battery indicator light is flashing, the batteries need to be recharged.
- To extend battery life, release the IR Thermometer trigger when not taking temperature readings.

#### MAINTENANCE

**⚠ WARNING:** To reduce the risk of serious personal injury, turn tool off and disconnect battery pack before making any adjustments or removing/installing attachments or accessories.

#### Cleaning

**⚠ WARNING:** Blow dirt and dust out of all air vents with clean, dry air at least once a week. To minimize the risk of eye injury, always wear ANSI Z87.1 approved eye protection when performing this.

**⚠ WARNING:** Never use solvents or other harsh chemicals for cleaning the non-metallic parts of the tool. These chemicals may weaken the plastic materials used in these parts. Use a cloth dampened only with water and mild soap. Never let any liquid get inside the tool; never immerse any part of the tool into a liquid.

### CHARGER CLEANING INSTRUCTIONS

**⚠ WARNING:** Shock hazard. Disconnect the charger from the AC outlet before cleaning. Dirt and grease may be removed from the exterior of the charger using a cloth or soft non-metallic brush. Do not use water or any cleaning solutions.

### Troubleshooting

#### THE IR THERMOMETER DOES NOT TURN ON

- Make sure the 12V Max\* battery is charged.
- If the IR Thermometer has been stored in extremely hot temperatures, allow it to cool. The IR thermometer will not be damaged by pressing the ON/OFF button before cooling to its proper operating temperature.

### Accessories

**⚠ WARNING:** Since accessories, other than those offered by DEWALT, have not been tested with this product, use of such accessories with this tool could be hazardous. To reduce the risk of injury, only DEWALT, recommended accessories should be used with this product.

Recommended accessories for use with your tool are available at extra cost from your local dealer or authorized service center. If you need assistance in locating any accessory, please contact DEWALT Industrial Tool Co., 701 East Joppa Road, Baltimore, MD 21286, call 1-800-4-DEWALT (1-800-433-9258) or visit our website [www.dewalt.com](http://www.dewalt.com).

### Repairs

The charger, battery and Infrared Thermometer are not serviceable. There are no serviceable parts inside the charger, battery or Infrared Thermometer.

To assure product SAFETY and RELIABILITY, repairs, maintenance and adjustment (including brush inspection and replacement) should be performed by a DEWALT factory service center, a DEWALT authorized service center or other qualified service personnel. Always use identical replacement parts.

### Register Online

Thank you for your purchase. Register your product now for:

- **WARRANTY SERVICE:** Registering your product will help you obtain more efficient warranty service in case there is a problem with your product.
- **CONFIRMATION OF OWNERSHIP:** In case of an insurance loss, such as fire, flood or theft, your registration of ownership will serve as your proof of purchase.
- **FOR YOUR SAFETY:** Registering your product will allow us to contact you in the unlikely event a safety notification is required under the Federal Consumer Safety Act.

Register online at [www.dewalt.com/register](http://www.dewalt.com/register).

### Three Year Limited Warranty

DEWALT will repair, without charge, any defects due to faulty materials or workmanship for three years from the date of purchase. This warranty does not cover part failure due to normal wear or tool abuse. For further detail of warranty coverage and warranty repair information, visit [www.dewalt.com](http://www.dewalt.com) or call 1-800-4-DEWALT (1-800-433-9258). This warranty does not apply to accessories or damage caused where repairs have been made or attempted by others. This warranty gives you specific legal rights and you may have other rights which vary in certain states or provinces.

In addition to the warranty, DEWALT tools are covered by our:





### Définitions : lignes directrices en matière de sécurité

Les définitions ci-dessous décrivent le niveau de danger pour chaque mot-indicateur employé. Lire le mode d'emploi et porter une attention particulière à ces symboles.

**⚠ DANGER** : indique une situation dangereuse imminente qui, si elle n'est pas évitée, **entraînera la mort ou des blessures graves**.

**⚠ AVERTISSEMENT** : indique une situation potentiellement dangereuse qui, si elle n'est pas évitée, **pourrait entraîner la mort ou des blessures graves**.

**⚠ ATTENTION** : indique une situation potentiellement dangereuse qui, si elle n'est pas évitée, **pourrait entraîner des blessures légères ou modérées**.

**AVIS** : indique une pratique ne posant **aucun risque de dommages corporels** mais qui par contre, si rien n'est fait pour l'éviter, **pourrait poser des risques de dommages matériels**.

POUR TOUTE QUESTION OU REMARQUE AU SUJET DE CET OUTIL OU DE TOUT AUTRE OUTIL DEWALT, COMPOSEZ LE NUMÉRO SANS FRAIS : **1 800 433-9258 (1 800 4-DEWALT)**.



**AVERTISSEMENT** : afin de réduire le risque de blessures, lire le mode d'emploi de l'outil.

### Avertissements de sécurité généraux pour les outils électriques



**AVERTISSEMENT!** Lire tous les avertissements de sécurité et toutes les directives. Le non-respect des avertissements et des directives pourrait se solder par un choc électrique, un incendie et/ou une blessure grave.

### CONSERVER TOUS LES AVERTISSEMENTS ET TOUTES LES DIRECTIVES POUR UN USAGE ULTÉRIEUR

Le terme « outil électrique » cité dans les avertissements se rapporte à votre outil électrique à alimentation sur secteur (avec fil) ou par piles (sans fil).

#### SÉCURITÉ DU LIEU DE TRAVAIL

- Tenir l'aire de travail propre et bien éclairée.** Les lieux encombrés ou sombres sont propices aux accidents.
- Éloigner les enfants et les personnes à proximité pendant l'utilisation d'un outil électrique.** Une distraction pourrait en faire perdre la maîtrise à l'utilisateur.

#### SÉCURITÉ PERSONNELLE

- Être vigilant, surveiller le travail effectué et faire preuve de jugement lorsqu'un outil électrique est utilisé. Ne pas utiliser d'outil électrique en cas de fatigue ou sous l'influence de drogues, d'alcool ou de médicaments.** Un simple moment d'inattention en utilisant un outil électrique peut entraîner des blessures corporelles graves.
- Utiliser des équipements de protection individuelle. Toujours porter une protection oculaire.** L'utilisation d'équipements de protection comme un masque antipoussière, des chaussures antidérapantes, un casque de sécurité ou des protecteurs auditifs lorsque la situation le requiert réduira les risques de blessures corporelles.
- Empêcher les démarrages intempestifs. S'assurer que l'interrupteur se trouve à la position d'arrêt avant de relier l'outil à une source d'alimentation et/ou d'insérer un bloc-piles, de ramasser ou de transporter l'outil.** Transporter un outil électrique alors que le doigt repose sur

*l'interrupteur ou brancher un outil électrique dont l'interrupteur est à la position de marche risque de provoquer un accident.*

- d) **Ne pas trop tendre les bras. Conserver son équilibre en tout temps.** *Cela permet de mieux maîtriser l'outil électrique dans les situations imprévues.*
- e) **S'habiller de manière appropriée. Ne pas porter de vêtements amples ni de bijoux. Garder les cheveux, les vêtements et les gants à l'écart des pièces mobiles.** *Les vêtements amples, les bijoux ou les cheveux longs risquent de rester coincés dans les pièces mobiles.*

#### UTILISATION ET ENTRETIEN D'UN OUTIL ÉLECTRIQUE

- a) **Ne pas utiliser un outil électrique dont l'interrupteur est défectueux.** *Tout outil électrique dont l'interrupteur est défectueux est dangereux et doit être réparé.*
- b) **Débrancher la fiche de la source d'alimentation et/ou du bloc-piles de l'outil électrique avant de faire tout réglage ou changement d'accessoire ou avant de ranger l'outil.** *Ces mesures préventives réduisent les risques de démarrage accidentel de l'outil électrique.*
- c) **Ranger les outils électriques hors de la portée des enfants et ne permettre à aucune personne n'étant pas familière avec un outil électrique ou son mode d'emploi d'utiliser cet outil.** *Les outils électriques deviennent dangereux entre les mains d'utilisateurs inexpérimentés.*
- d) **Entretien des outils électriques. Vérifier si les pièces mobiles sont mal alignées ou coincées, si des pièces sont brisées ou présentent toute autre condition susceptible de nuire au bon fonctionnement de l'outil électrique. En cas de dommage, faire réparer l'outil électrique avant toute nouvelle utilisation.** *Beaucoup d'accidents sont causés par des outils électriques mal entretenus.*
- e) **S'assurer que les outils de coupe sont aiguisés et propres.** *Les outils de coupe bien entretenus et affûtés*

*sont moins susceptibles de se coincer et sont plus faciles à maîtriser.*

- f) **Utiliser l'outil électrique, les accessoires, les forets, etc. conformément aux présentes directives en tenant compte des conditions de travail et du travail à effectuer.** *L'utilisation d'un outil électrique pour toute opération autre que celle pour laquelle il a été conçu est dangereuse.*

#### UTILISATION ET ENTRETIEN DU BLOC-PILES

- a) **Ne recharger l'outil qu'au moyen du chargeur précisé par le fabricant.** *L'utilisation d'un chargeur qui convient à un type de bloc-piles risque de provoquer un incendie s'il est utilisé avec un autre type de bloc-piles.*
- b) **Utiliser les outils électriques uniquement avec les blocs-piles conçus à cet effet.** *L'utilisation de tout autre bloc-piles risque de causer des blessures ou un incendie.*
- c) **Lorsque le bloc-piles n'est pas utilisé, le tenir éloigné des objets métalliques, notamment des trombones, de la monnaie, des clés, des clous, des vis ou autres petits objets métalliques qui peuvent établir une connexion entre les deux bornes.** *Le court-circuit des bornes du bloc-piles risque de provoquer des brûlures ou un incendie.*
- d) **En cas d'utilisation abusive, le liquide peut gicler hors du bloc-piles; éviter tout contact avec ce liquide. Si un contact accidentel se produit, laver à grande eau. Si le liquide entre en contact avec les yeux, obtenir également des soins médicaux.** *Le liquide qui giclé hors du bloc-piles peut provoquer des irritations ou des brûlures.*

#### RÉPARATION

- a) **Faire réparer l'outil électrique par un réparateur professionnel en n'utilisant que des pièces de rechange identiques.** *Cela permet de maintenir une utilisation sécuritaire de l'outil électrique.*

## Consignes de sécurité pour laser et thermomètres IR

**⚠ AVERTISSEMENT : irradiation laser. Ne pas démonter ou modifier le thermomètre IR. Il ne comporte à l'intérieur aucune pièce réparable par l'utilisateur. Des lésions oculaires graves pourraient en résulter.**


**⚠ AVERTISSEMENT : danger d'irradiation.** Toute utilisation de commandes ou réglages, ou exécution des procédures non conformes aux spécifications incluses dans ce document, comporte des risques d'irradiation laser dangereuse.

- **Ne pas utiliser les thermomètres IR en milieu déflagrant, en présence par exemple de poussières, gaz ou liquides inflammables.** Les outils électriques peuvent produire des étincelles qui pourraient enflammer toute émanation ou poussière ambiante.
- **Utiliser le thermomètre IR uniquement avec les piles DEWALT spécialement conçues à cet effet.** L'utilisation de toute autre pile peut comporter des risques d'incendie.
- **Ranger le thermomètre IR hors de la portée des enfants ou de toute personne non familière avec cet outil.** Les lasers peuvent être dangereux entre les mains d'utilisateurs inexpérimentés.
- **L'outil doit être entretenu ou réparé exclusivement par du personnel qualifié. Tout entretien ou maintenance effectué par une personne non qualifiée comporte des risques de dommages corporels.** Pour trouver le centre de réparation DEWALT le plus proche, composer le 1-800-4-DEWALT (1-800-433-9258) ou se rendre sur le site Internet <http://www.dewalt.com>.
- **Ne pas utiliser d'outils optiques comme les télescopes ou télescopes transit pour observer le faisceau laser.** Des lésions oculaires graves pourraient en résulter.

- **Ne pas disposer le thermomètre IR de façon à permettre à quiconque de regarder, délibérément ou non, directement le faisceau laser.** Des lésions oculaires graves pourraient en résulter.
- **Ne pas démonter le thermomètre IR.** Il ne comporte à l'intérieur aucune pièce réparable par l'utilisateur.
- **Ne modifier le thermomètre IR en aucune façon.** Le fait de modifier cet outil comporte des risques d'irradiation laser dangereuse.
- **Ne pas utiliser le thermomètre IR à proximité d'enfants ou permettre à un enfant de l'utiliser.** Des lésions oculaires graves pourraient en résulter.
- **Ne pas retirer ou abîmer les étiquettes d'avertissement.** Le fait de les retirer augmente les risques d'irradiation.
- **Ne pas utiliser le thermomètre IR pour tester la température d'aliments cuits ou crus.**
- **Ne pas l'utiliser pour prendre la température d'un corps humain ou animal.**

**⚠ AVERTISSEMENT : risques de brûlure.** La lecture pourra manquer de précision si le thermomètre est mis en présence de champs électromagnétiques puissants (tels soudeuses à arc électrique, fours à induction, émetteurs radio, etc.). Ne pas continuer à utiliser le thermomètre IR dans ces conditions.

**⚠ ATTENTION : toute utilisation de commandes ou réglages, ou exécution des procédures non conformes aux spécifications incluses dans ce document, comporte des risques d'irradiation laser dangereuse.**

- L'étiquette apposée sur votre outil peut inclure les symboles suivants.  
 V.....volts  
 mW .....milliwatts  
 .....Symbole d'avertissement laser

nm.....longueur d'onde en nanomètres

2.....Laser de classe 2

3a .....Laser de classe 3a

### ÉTIQUETTES D'AVERTISSEMENT

Pour des raisons de fonctionnalité et de sécurité, l'étiquette suivante est apposée sur votre thermomètre IR (fig. 2).

**⚠ AVERTISSEMENT : RADIATION LASER - NE JAMAIS FIXER DES YEUX LE FAISCEAU DU LASER DE CLASSE 2 – PUISSANCE DE SORTIE MAXIMALE <1mW.**

**⚠ AVERTISSEMENT : porter SYSTÉMATIQUEMENT des lunettes de protection. Les lunettes courantes NE sont PAS des lunettes de protection. Utiliser aussi un masque antipoussières si la découpe doit en produire beaucoup. PORTER SYSTÉMATIQUEMENT UN ÉQUIPEMENT DE SÉCURITÉ HOMOLOGUÉ :**

- Protection oculaire ANSI Z87.1 (CAN/CSA Z94.3).

**⚠ AVERTISSEMENT : ce produit contient des produits chimiques reconnus par l'état californien pour causer cancers, malformations congénitales ou être nocifs au système reproducteur.**

**⚠ ATTENTION : après utilisation, ranger l'outil sur son côté, sur une surface stable, là où il ne pourra ni faire trébucher ni faire chuter quelqu'un. Certains outils équipés d'un large bloc-piles peuvent tenir à la verticale sur celui-ci, mais manquent alors de stabilité.**

### Consignes de sécurité importantes propres à tous les blocs-piles

Pour commander un bloc-piles de recharge, s'assurer d'inclure son numéro de catalogue et sa tension. Consulter le tableau en dernière page de ce manuel pour connaître les compatibilités entre chargeurs et blocs-piles.

Le bloc-piles n'est pas totalement chargé d'usine. Avant d'utiliser le bloc-piles et le chargeur, lire les consignes de sécurité ci-dessous. Puis suivre la procédure de charge indiquée.

### LIRE TOUTES LES CONSIGNES

- **Ne pas recharger ou utiliser un bloc-piles en milieu déflagrant, en présence, par exemple, de poussières, gaz ou liquides inflammables.** Le fait d'insérer ou retirer un bloc-piles de son chargeur pourrait causer l'inflammation de poussières ou d'émanations.
- **NE JAMAIS forcer l'insertion d'un bloc-piles dans un chargeur. NE modifier un bloc-piles d'AUCUNE façon pour le faire rentrer dans un chargeur incompatible, car il pourrait se briser et causer des dommages corporels graves.** Consulter le tableau en dernière page de ce manuel pour connaître les compatibilités entre chargeurs et blocs-piles.
- Recharger les blocs-piles exclusivement dans des chargeurs DEWALT
- **NE PAS** éclabousser le bloc-piles ou l'immerger dans l'eau ou dans tout autre liquide.
- **Ne pas entreposer ou utiliser l'appareil et le bloc-piles en présence de températures ambiantes pouvant excéder 40 °C (105 °F) (comme dans des hangars ou des bâtiments métalliques l'été).**
- **⚠ AVERTISSEMENT : risques d'incendie.** Ne jamais tenter d'ouvrir le bloc-piles pour quelque raison que ce soit. Si le boîtier du bloc-piles est fissuré ou endommagé, ne pas l'insérer dans un chargeur. Ne pas écraser, laisser tomber, ou endommager les blocs-piles. Ne pas utiliser un bloc-piles ou un chargeur qui a reçu un choc violent, ou si l'appareil est tombé, a été écrasé ou endommagé de quelque façon que ce soit (p. ex. percé par un clou, frappé d'un coup de marteau,

piétiné). Les blocs-piles endommagés doivent être renvoyés à un centre de réparation pour y être recyclés.

**⚠ AVERTISSEMENT : risques d'incendie.** Au moment de ranger ou transporter le bloc-piles, s'assurer qu'aucun objet métallique n'entre en contact avec les bornes à découvert du bloc-piles. Par exemple, éviter de placer un bloc-piles dans un tablier, une poche, une boîte à outils ou un tiroir, etc. contenant des objets tels que des clous, des vis, des clés, etc. **Le fait de transporter des bloc-piles comporte des risques d'incendie, car les bornes des piles pourraient entrer, par inadvertance, en contact avec des objets conducteurs, tels que : clés, pièces de monnaie, outils ou autres.** La réglementation sur les produits dangereux (Hazardous Material Regulations) du département américain des transports interdit, en fait, le transport des piles pour le commerce ou dans les avions (ex : dans les bagages enregistrés ou à main) À MOINS qu'elles ne soient correctement protégées contre tout court-circuit. Aussi lors du transport individuel de piles, s'assurer que leurs bornes sont bien protégées et isolées de tout matériau pouvant entrer en contact avec elles et provoquer un court-circuit.

#### **CONSIGNES DE SÉCURITÉ PROPRES AUX PILES AU LITHIUM-ION (Li-Ion)**

- **Ne pas incinérer le bloc-piles même s'il est sévèrement endommagé ou complètement usagé,** car il pourrait exploser et causer un incendie. Pendant l'incinération des blocs-piles au lithium-ion, des vapeurs et matières toxiques sont dégagées.
- **En cas de contact du liquide de la pile avec la peau, rincer immédiatement au savon doux et à l'eau.** En cas de contact oculaire, rincer l'œil ouvert à l'eau claire une quinzaine de minutes ou jusqu'à ce que l'irritation cesse. Si des soins médicaux s'avéraient nécessaires, noter que l'électrolyte de la pile est composé d'un mélange de carbonates organiques liquides et de sels de lithium.

- **Le contenu des cellules d'une pile ouverte peut causer une irritation respiratoire.** En cas d'inhalation, exposer l'individu à l'air libre. Si les symptômes persistent, consulter un médecin.

**⚠ AVERTISSEMENT : risques de brûlure.** Le liquide de la pile peut s'enflammer s'il est exposé à des étincelles ou à une flamme.

#### **Le sceau SRPRC<sup>MC</sup>**

Le sceau SRPRC<sup>MC</sup> (Société de recyclage des piles rechargeables au Canada) apposé sur une pile au nickel-cadmium, à hydrure métallique de nickel ou au lithium-ion (ou un bloc-piles) indique que les coûts de recyclage de ces derniers en fin d'utilisation ont déjà été réglés par DEWALT. Dans certaines régions, la mise au rebut ou aux ordures municipales des piles au nickel-cadmium, à l'hydrure métallique de nickel ou au lithium-ion, est illégale ; le programme de SRPRC constitue donc une solution pratique et écologique.

La SRPRC<sup>MC</sup>, en collaboration avec DEWALT et d'autres utilisateurs de piles, a mis sur pied des programmes aux États-Unis et au Canada pour faciliter la collecte des piles au nickel-cadmium, à l'hydrure métallique de nickel ou au lithium-ion usagées. Aidez-nous à protéger l'environnement et à conserver nos ressources naturelles en renvoyant les piles au nickel-cadmium, à l'hydrure métallique de nickel ou au lithium-ion usagées à un centre de réparation autorisé DEWALT ou chez votre détaillant afin qu'elles y soient recyclées. On peut en outre se renseigner auprès d'un centre de recyclage local pour connaître d'autres sites les acceptant.

SRPRC<sup>MC</sup> est une marque déposée de la Société de recyclage des piles rechargeables au Canada.



**Français**

## Directives de sécurité importantes propres à tous les chargeurs de piles

**CONSERVER CES INSTRUCTIONS** : ce manuel contient des directives de sécurité et d'utilisation importantes propres aux chargeurs de piles.

- Avant d'utiliser le chargeur, lire toute consigne et tout avertissement apposés sur le chargeur, le bloc-piles et le produit utilisant le bloc-piles.

**⚠ AVERTISSEMENT** : risques de chocs électriques. Ne laisser aucun liquide pénétrer dans le chargeur, des chocs électriques pourraient en résulter.

**⚠ ATTENTION** : risques de brûlure. Pour réduire tout risque de dommages corporels, ne recharger que des piles rechargeables DEWALT. Tout autre type de piles pourrait exploser et causer des dommages corporels et matériels.

**AVIS** : sous certaines conditions, lorsque le chargeur est connecté au bloc d'alimentation, des matériaux étrangers pourraient court-circuiter le chargeur. Les corps étrangers conducteurs tels que (mais pas limité à) poussières de rectification, débris métalliques, laine d'acier, feuilles d'aluminium, ou toute accumulation de particules métalliques doivent être maintenus à distance des orifices du chargeur. Débrancher systématiquement le chargeur lorsque le bloc-piles n'y est pas inséré. Débrancher systématiquement le chargeur avant tout entretien.

**⚠ AVERTISSEMENT** :

- **NE PAS tenter de charger de bloc-piles avec des chargeurs autres que ceux décrits dans ce manuel.** Le chargeur et son bloc-piles ont été conçus tout spécialement pour fonctionner ensemble.

- **Ces chargeurs n'ont pas été conçus pour une utilisation autre que recharger les blocs-piles rechargeables DEWALT.** Toute autre utilisation comporte des risques d'incendie, de chocs électriques ou d'électrocution.
- **Protéger le chargeur de la pluie ou de la neige.**
- **Tirer sur la fiche plutôt que sur le cordon pour débrancher le chargeur.** Cela permet de réduire les risques d'endommager la fiche ou le cordon d'alimentation.
- **S'assurer que le cordon est protégé de manière à ce que personne ne marche ni ne trébuche dessus, ou à ce qu'il ne soit ni endommagé ni soumis à aucune tension.**
- **N'utiliser une rallonge qu'en cas de nécessité absolue.** L'utilisation d'une rallonge inadéquate comporte des risques d'incendie, de chocs électriques ou d'électrocution.
- **Lors de l'utilisation d'un outil électrique à l'extérieur, utiliser une rallonge conçue à cet effet.** L'utilisation d'une rallonge conçue pour l'extérieur réduit les risques de chocs électriques.
- **Pour la sécurité de l'utilisateur, utiliser une rallonge de calibre adéquat (AWG, American Wire Gauge [calibrage américain normalisé des fils électriques]).** Plus le calibre est petit, et plus sa capacité est grande. Un calibre 16, par exemple, a une capacité supérieure à un calibre 18. L'usage d'une rallonge de calibre insuffisant causera une chute de tension qui entraînera perte de puissance et surchauffe. Si plus d'une rallonge est utilisée pour obtenir une certaine longueur, s'assurer que chaque rallonge présente au moins le calibre de fil minimum. Le tableau ci-dessous illustre les calibres à utiliser selon la longueur de rallonge et l'intensité nominale indiquée sur la plaque signalétique. En cas de doute, utiliser le calibre suivant. Plus le calibre est petit, plus la rallonge peut supporter de courant.

| Calibres minimaux des rallonges |                |       |  |            |                |            |
|---------------------------------|----------------|-------|--|------------|----------------|------------|
| Intensité<br>(en ampères)       |                | Volts | Longueur totale de cordon<br>en metres (pieds) |            |                |            |
|                                 |                |       | 120V   | 7,6 (25)   | 15,2 (50)      | 30,5 (100) |
|                                 |                | 240V  | 15,2 (50)                                      | 30,5 (100) | 61,0 (200)     | 91,4 (300) |
| Supérieur<br>à                  | Inférieur<br>à | AWG   |  |            |                |            |
| 0                               | 6              |       | 18   | 16         | 16             | 14         |
| 6                               | 10             |       | 18   | 16         | 14             | 12         |
| 10                              | 12             |       | 16   | 16         | 14             | 12         |
| 12                              | 16             |       | 14   | 12         | Non recommandé |            |

- **Ne poser aucun objet sur le chargeur. Ne pas mettre le chargeur sur une surface molle qui pourrait en bloquer la ventilation et provoquer une surchauffe interne.** Éloigner le chargeur de toute source de chaleur. Le chargeur dispose d'orifices d'aération sur le dessus et le dessous du boîtier.
- **Ne pas le faire fonctionner avec un cordon d'alimentation ou une fiche endommagée.**
- **Ne pas utiliser le chargeur s'il a reçu un coup, fait une chute ou a été endommagé de quelque façon que ce soit.** Le ramener dans un centre de réparation agréé.
- **Ne pas démonter le chargeur. Pour tout service ou réparation, le rapporter dans un centre de réparation agréé.** Le fait de le réassembler de façon incorrecte comporte des risques de chocs électriques, d'électrocution et d'incendie.
- **Débrancher le chargeur du secteur avant tout entretien. Cela réduira tout risque de chocs électriques.** Le fait de retirer le bloc-piles ne réduira pas ces risques.
- **NE JAMAIS tenter de connecter 2 chargeurs ensemble.**

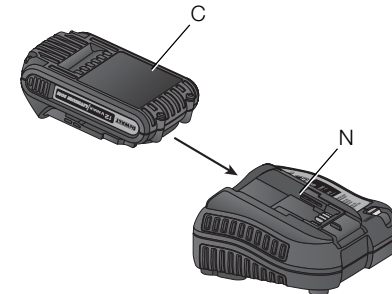
- **Le chargeur a été conçu pour être alimenté en courant électrique domestique standard de 120 volts. Ne pas tenter de l'utiliser avec toute autre tension.** Cela ne s'applique pas aux chargeurs de postes mobiles.

## Chargeurs

Votre outil fonctionne avec un chargeur DEWALT. S'assurer de bien lire toutes les directives de sécurité avant toute utilisation du chargeur. Consulter le tableau à l'arrière de ce manuel pour vous informer de la compatibilité entre chargeurs et blocs-piles.

### Procédure de charge (Fig. 1)

1. Branchez le chargeur dans la prise appropriée avant d'y insérer le bloc-piles.
2. Insérez le bloc-piles (C) dans le chargeur (N), comme illustré en figure 1, en vous assurant qu'il y est correctement calé. Le voyant rouge (charge) clignotera de façon continue indiquant que le cycle de chargement a commencé.
3. En fin de charge, le voyant rouge restera ALLUMÉ de façon continue. Le bloc-piles est alors complètement chargé et peut être utilisé ou laissé dans le chargeur.



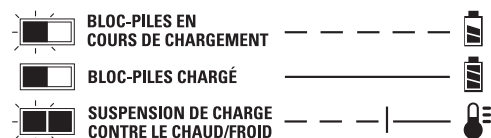


## Fonctionnement du voyant

### DCB106



### DCB107, DCB112



## Fonctionnement du voyant

### FONCTION DE SUSPENSION DU BLOC-PILES CHAUD/FROID

#### DCB107, DCB112

Les chargeurs DCB107 et DCB112 sont équipés d'une fonction de suspension de charge contre le chaud/froid. Lorsque le chargeur détecte un bloc-piles chaud, il suspend automatiquement le chargement du bloc-piles jusqu'à son refroidissement. Lorsque le chargeur détecte un bloc-piles froid, il suspend automatiquement le chargement du bloc-piles jusqu'à son réchauffement.

Le voyant rouge continuera de clignoter, mais un voyant jaune s'illuminera pendant l'opération. Le voyant jaune s'éteint lorsque le chargeur reprend procédure de charge normale.

#### LAISSER LE BLOC-PILES DANS LE CHARGEUR

Le chargeur et son bloc-piles peuvent rester connectés, le voyant du chargeur affichant alors Bloc-piles chargé.

**BLOCS-PILES FAIBLES** : les blocs-piles faibles continueront de fonctionner, mais il faudra s'attendre à un rendement moindre.

**BLOCS-PILES DÉFECTUEUX** : ce chargeur ne pourra recharger un bloc-piles défectueux. Le chargeur indiquera qu'un bloc-piles est défectueux en refusant de s'allumer ou en affichant bloc-piles ou chargeur défectueux.

**REMARQUE** : cela pourra aussi indiquer un problème avec le chargeur.

## Installation murale

### DCB107, DCB112

Ces chargeurs ont été conçus pour une installation murale ou pour être posés sur une table ou une surface de travail.

Pour une fixation murale, installez le chargeur à proximité d'une prise électrique. Fixez soigneusement le chargeur au mur à l'aide de vis à placoplâtre d'au moins 25,4 mm (1 po) de long. Vissez-les dans le bois en laissant une longueur d'environ 5,5 mm (7/32 po) exposée.

## Remarques importantes concernant le chargement

1. Pour augmenter la durée de vie du bloc-piles et optimiser son rendement, le recharger à une température ambiante de 18 ° à 24 °C (65 °F à 75 °F). NE PAS recharger le bloc-piles à une température inférieure à + 4,5 °C (+ 40 °F) ou supérieure à + 40,5 °C (+ 105 °F). C'est important pour prévenir tout dommage sérieux au bloc-piles.
2. Le chargeur et son bloc-piles peuvent devenir chauds au toucher pendant la charge. C'est normal et ne représente en aucun cas une défaillance du produit. Pour faciliter le refroidissement du bloc-piles après utilisation, éviter de laisser le chargeur ou le bloc-piles dans un local où la température ambiante est élevée comme dans un hangar métallique ou une remorque non isolée.



3. Si le bloc-piles ne se recharge pas correctement :
  - a. Vérifier le bon fonctionnement de la prise en y branchant une lampe ou tout autre appareil électrique.
  - b. Vérifier que la prise n'est pas contrôlée par un interrupteur qui coupe le courant lorsqu'on éteint les lumières.
  - c. Déplacer le chargeur et le bloc-piles dans un local où la température ambiante se trouve entre environ 18 ° et 24 °C (65 °F et 75 °F).
  - d. Si le problème persiste, amener l'outil, le bloc-piles et son chargeur dans un centre de réparation local.
4. Recharger le bloc-piles lorsqu'il ne produit plus assez de puissance pour effectuer un travail qu'il faisait facilement auparavant. NE PAS CONTINUER à l'utiliser dans ces conditions. Suivre la procédure de charge. Si nécessaire, il est aussi possible de recharger un bloc-piles partiellement déchargé sans effet nuisible sur le bloc-piles.
5. Les corps étrangers conducteurs tels que (mais pas limité à) poussières de rectification, débris métalliques, laine d'acier, feuilles d'aluminium, ou toute accumulation de particules métalliques doivent être maintenus à distance des orifices du chargeur. Débrancher systématiquement le chargeur lorsque le bloc-piles n'y est pas inséré. Débrancher systématiquement le chargeur avant tout entretien.
6. Ne pas congeler ou immerger le chargeur dans l'eau ou tout autre liquide.

**⚠ AVERTISSEMENT :** *risques de chocs électriques. Ne laisser aucun liquide pénétrer dans le chargeur, des chocs électriques pourraient en résulter.*

**⚠ ATTENTION :** *ne jamais tenter d'ouvrir le bloc-piles pour quelque raison que ce soit. Si le boîtier plastique du bloc-piles est brisé ou fissuré, le retourner dans un centre de réparation pour y être recyclé.*

### **Recommandations de stockage**

1. Le lieu idéal de rangement est un lieu frais et sec, à l'abri de toute lumière solaire directe et de toute température excessive.
2. Pour un stockage prolongé, il est recommandé d'entreposer le bloc-piles pleinement chargé dans un lieu frais et sec, hors du chargeur pour optimiser les résultats.

**REMARQUE :** les blocs-piles ne devraient pas être entreposés complètement déchargés. Il sera nécessaire de recharger le bloc-piles avant réutilisation.

### **CONSERVER CES CONSIGNES POUR UTILISATION ULTÉRIEURE**

#### **Informations relatives au laser**

Ce thermomètre infrarouge (thermomètre IR) est un produit laser de classe 2, et est conforme aux réglementations 21 CFR 1040.10 et 1040.11, à l'exception de certaines déviations conformes à la décision n°50 en date du 24 juillet 2007.

#### **Émissivité**

L'émissivité correspond aux caractéristiques d'émission énergétique des matériaux. La plupart des matières organiques et surfaces peintes ou oxydées ont une émissivité d'environ 0,95, le paramètre choisi par défaut. Il est recommandé de compenser toute lecture inexacte qui pourrait être prise sur des matériaux dont les valeurs d'émissivité sont faibles comme les surfaces métalliques brillantes. Recouvrez ces surfaces avec du ruban adhésif ou une peinture noire mate (<148 °C/300 °F) et utilisez le paramètre par défaut (0,95). Laissez assez de temps au ruban adhésif ou à la peinture de prendre la même température que la surface recouverte puis mesurez la température de celle-ci.

S'il est impossible d'utiliser de la peinture ou du ruban adhésif, on peut alors compenser la mesure à l'aide du cadran d'émissivité. Même en ajustant l'émissivité, il pourra s'avérer difficile d'obtenir une mesure infrarouge totalement exacte sur un objet dont la surface est brillante ou métallique. Il pourra s'avérer nécessaire de faire des essais pour obtenir un étalonnage de températures, et l'expérience vous aidera à choisir le paramètre le mieux adapté pour certaines mesures spécifiques.

Le réglage d'émissivité du thermomètre va de 0,1 à 1,0 par incréments de 0,01. Reportez-vous au Tableau d'émissivité nominale dans ce manuel. Les références de réglages d'émissivité dans le tableau sont suggérées pour des situations typiques ne correspondant pas automatiquement à votre situation particulière.

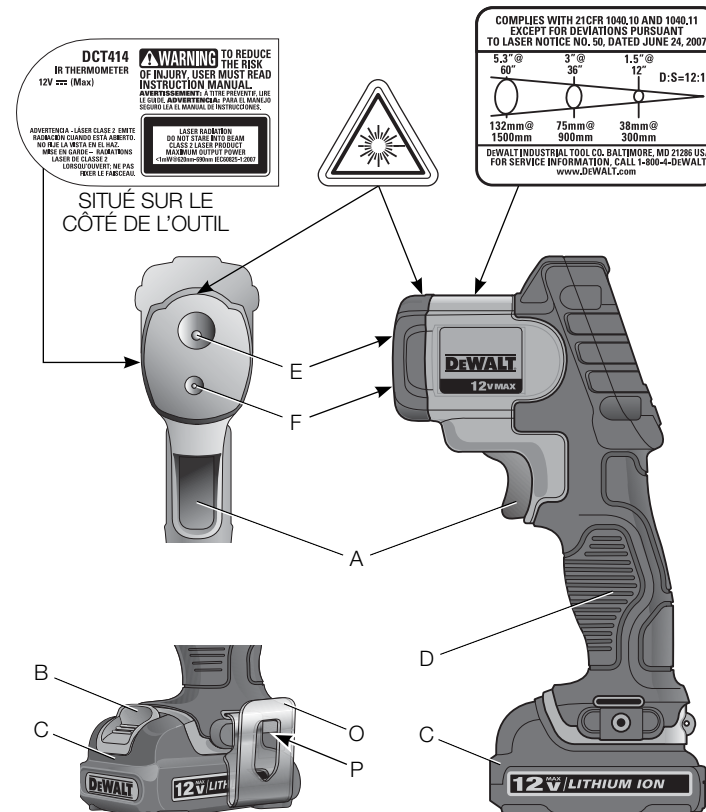
**REMARQUE :** l'étalonnage de ce produit a été effectué pour une émissivité de 0,95.






### DESCRIPTION (Fig. 1–3)

**⚠ AVERTISSEMENT :** ne jamais modifier l'outil électrique ni aucun de ses composants, car il y a risques de dommages corporels ou matériels.

- A. Gâchette de mesure
- B. Bouton de libération du bloc-piles
- C. Bloc-piles au Lithium ion de 12 V max\* DEWALT
- D. Poignée principale
- E. Capteur IR
- F. Laser/Faisceau aiguille
- G. Écran LCD

FIG. 2



- H.  Sélecteur de mode d'alarme : il est utilisé pour sélectionner le type d'alarme et pour régler les températures limites, haute (HAL) et basse (LAL) de l'alarme.  
 Alarme 1 : la température a atteint le réglage limite, c'est indiqué par un voyant DEL (M) rouge/bleu ;  
 Alarme 2 : la température a atteint le réglage limite, c'est indiqué par un bip sonore ;  
 Alarme 3 : la température a atteint le réglage limite, c'est indiqué à la fois par le voyant DEL et par le bip sonore.
- I.  Sélecteur de mode Min/Max/Moy : affiche la température la plus basse, la plus haute ou la température moyenne.
- J.  Bouton de réglage : utilisé avec les différents sélecteurs de mode pour paramétrer la valeur désirée.
- K.  Sélecteur de mode EMS : règle la valeur d'émissivité.
- L.  Sélecteur de mode C/F : utilisé pour régler l'unité de mesure des températures (Celsius ou Fahrenheit).
- M. Voyant DEL : activé par les modes d'alarme 1 et 3.  
 Bleu : sert d'alarme pour indiquer que la température a atteint le réglage **minimum**.  
 Rouge : sert d'alarme pour indiquer que la température a atteint le réglage **maximum**.
- N. Chargeur de bloc-piles

### ICÔNES D'ÉCRAN : (FIG. 3)

**Hold** – Affichera, une fois la gâchette relâchée, la dernière lecture de température.

**Scan** – S'affichera lorsque vous maintiendrez la gâchette appuyée pour observer différentes températures.

**Alarm setting (Paramètre d'alarme)** – vous laissera savoir quelle alarme vous avez choisi d'afficher : couleur, bip sonore ou les deux ;

**F ou C** – indique l'unité de mesure de la température ;

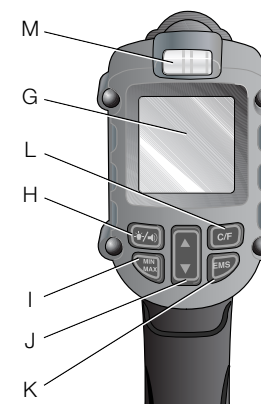
**Battery (Bloc-piles)** – indique le niveau de charge restant dans la batterie.

**REMARQUE** : le voyant de bloc-piles faible est situé sur l'écran, directement au-dessus de l'affichage de la température. Les barres du voyant de bloc-piles faible indiqueront la charge restante dans ce dernier. Le thermomètre IR pourra fonctionner encore un moment alors que le bloc-piles continuera de se vider, mais le faisceau faiblira rapidement. Une fois le bloc-piles changé, et le thermomètre IR remis en marche, le thermomètre IR reprendra sa pleine luminosité.

### USAGE PRÉVU

Le thermomètre IR mesure les températures de surface en évaluant le niveau d'infrarouges émis par l'objet. Ce type de mesure est une mesure sans contact des températures de surface. Cet outil est assemblé d'usine. Ses caractéristiques ont été spécialement conçues pour permettre un réglage facile et rapide.

FIG. 3



Français

### **Crochet de ceinture (Fig. 2) (accessoire en option)**

**⚠ AVERTISSEMENT :** pour réduire tout risque de dommages corporels graves, **NE PAS** suspendre l'outil au-dessus de la tête, ou suspendre des objets au crochet de ceinture. Suspendre le crochet de ceinture de l'outil **UNIQUEMENT** à une ceinture porte-outils.

**⚠ AVERTISSEMENT :** pour réduire tout risque de dommages corporels graves, **s'assurer que la vis (P) maintenant le crochet de ceinture, est bien resserrée.**

**IMPORTANT :** pour rattacher ou remplacer le crochet de ceinture, utiliser systématiquement la vis (P) fournie à cet effet.

Le crochet de ceinture (O) peut être rattaché de l'un ou l'autre côté de l'outil à l'aide seulement de la vis (P) fournie, pour accommoder un gaucher ou un droitier. Si vous ne désirez pas utiliser le crochet, il peut être complètement retiré de l'outil.

Pour déplacer le crochet de ceinture, retirez la vis (P) le maintenant en place, puis réassemblez-le sur le côté opposé.

### **UTILISATION**

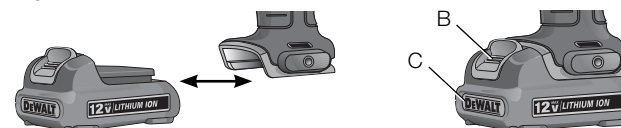
**⚠ AVERTISSEMENT :** pour réduire tout risque de dommages corporels graves, **arrêter et déconnecter le bloc-piles avant tout réglage ou avant de retirer ou installer toute pièce ou tout accessoire.**

### **Installation et retrait du bloc-piles (Fig. 4)**

**REMARQUE :** s'assurer que le bloc-piles est complètement chargé.

Pour installer le bloc-piles (C) dans la poignée de l'outil, alignez le bloc-piles sur les rails dans la poignée de l'outil et faites-le glisser fermement en place jusqu'à ce qu'il s'y enclenche à fond.

FIG. 4



Pour retirer le bloc-piles de l'outil, poussez sur le bouton de libération (B) et tirez fermement le bloc-piles hors de la poignée de l'outil. Insérez-le dans son chargeur comme décrit dans la section appropriée de ce manuel.

### **Sélection du mode d'utilisation**

Prenez connaissance des étapes suivantes avant toute utilisation du thermomètre IR.

#### **SÉLECTION DE L'UNITÉ DE MESURE**

Allumez l'appareil en appuyant sur la gâchette. Une fois l'écran allumé, appuyez sur le bouton C/F jusqu'à ce que l'unité de mesure soit sur le paramètre correct pour l'application.

#### **SÉLECTION DE L'ÉMISSIVITÉ**

Allumez l'appareil en appuyant sur la gâchette. Une fois l'écran allumé, appuyez sur le bouton EMS pour régler l'émissivité. Lorsque le voyant EMS clignote sur l'écran, utilisez les boutons flèche vers le haut ou le bas pour sélectionner l'émissivité. Veuillez vous reporter au tableau ci-après pour choisir l'émissivité correcte. Notez que l'émissivité est réglable par incrément de 0,01.

| TABLEAU D'ÉMISSIVITÉ NOMINALE |        |                      |        |
|-------------------------------|--------|----------------------|--------|
| MATÉRIAU                      | VALEUR | MATÉRIAU             | VALEUR |
| Défaut****                    | 0,95   | Plomb*               | 0,50   |
| Aluminium*                    | 0,30   | Huile                | 0,94   |
| Amiante                       | 0,95   | Peinture             | 0,93   |
| Bitume                        | 0,95   | Plastique**          | 0,95   |
| Laiton*                       | 0,50   | Caoutchouc           | 0,95   |
| Céramique                     | 0,95   | Sable                | 0,90   |
| Béton                         | 0,95   | Acier*               | 0,80   |
| Cuivre*                       | 0,60   | Eau                  | 0,93   |
| Verre (plaque)                | 0,85   | Bois***              | 0,94   |
| Fer*                          | 0,70   |                      |        |
| * Oxydé                       |        | *** Naturel          |        |
| ** Opaque, plus de 20 ml      |        | **** Réglage d'usine |        |

### SÉLECTION DU PARAMÈTRE D'ALARME ET DES EXTRÊMES DE TEMPÉRATURES

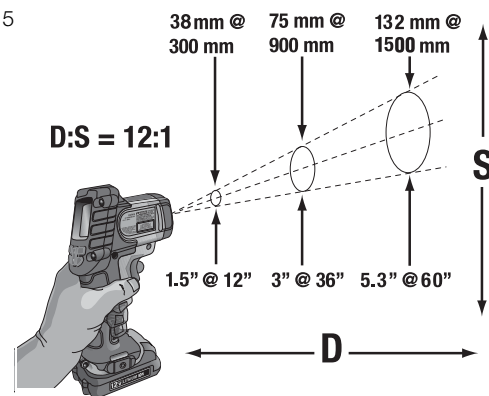
1. Activez la gâchette pour allumer l'appareil.
2. Appuyez sur le bouton ALM.
3. Lorsque le voyant ALM clignote sur l'écran, utilisez les flèches vers le haut/bas pour choisir le type d'alarme désiré.
  - Alarme 1 : la température a atteint le réglage limite, c'est indiqué par un voyant DEL (M) rouge/bleu ;
  - Alarme 2 : la température a atteint le réglage limite, c'est indiqué par un bip sonore ;
  - Alarme 3 : la température a atteint le réglage limite, c'est indiqué à la fois par le voyant DEL et par le bip sonore.
4. Appuyez à nouveau sur le bouton ALM pour confirmer la sélection.

5. Le voyant HAL (alarme haute) clignotera alors. Utilisez les flèches vers le haut ou le bas pour choisir la température maximale. Lorsque cette température sera excédée, l'alarme sera activée.
6. Appuyez sur le bouton ALM. Le voyant LAL (alarme basse) clignotera alors. Utilisez les flèches vers le haut ou le bas pour choisir la température minimale. Lorsque cette température sera atteinte, l'alarme sera activée.
7. Réappuyez sur le bouton ALM pour retourner à l'écran principal.
8. On peut à présent prendre les températures.

### CHAMP DE VISÉE (FIG. 5)

Le thermomètre IR a un « effet cône » qui fait que plus le thermomètre est éloigné d'un objet, plus la zone mesurée sera large. Le thermomètre IR a un facteur de champ de visée de 12:1 : pour chaque longueur de 305 mm (12 po) par rapport à l'objet, il mesurera 25 mm (1 po.). La taille de l'objet à mesurer doit être plus grande que celle de la cible pour obtenir une lecture exacte.

FIG. 5



## REMARQUES CLÉ EN CAS DE PROBLÈMES LORS DES MESURES

1. Veillez à appliquer un morceau de ruban adhésif ou de la peinture noire mate sur toute surface hautement réfléchissante (utilisez le paramètre par défaut d'émissivité : 0,95).
2. Assurez-vous d'avoir l'émissivité correcte pour le matériau à mesurer. Reportez-vous à la section **Émissivité** et au **Tableau d'émissivité nominale**.
3. Nettoyez le matériau avant la prise de mesure s'il est très sale ou gras.

## Conseils d'utilisation

- Utilisez systématiquement un bloc-piles au Lithium ion de 12 V max\* DEWALT
- Assurez-vous que le bloc-piles fonctionne correctement. Si le voyant de charge clignote, il sera nécessaire de le recharger.
- Pour augmenter la durée de vie du bloc-piles, relâchez la gâchette du thermomètre IR une fois la lecture de température terminée.

## MAINTENANCE

**⚠ AVERTISSEMENT :** *pour réduire tout risque de dommages corporels graves, arrêter et déconnecter le bloc-piles avant tout réglage ou avant de retirer ou installer toute pièce ou tout accessoire.*

## Entretien

**⚠ AVERTISSEMENT :** *expulser tout débris ou poussière des orifices d'aération à l'aide d'un jet d'air sec au moins une fois par semaine. Pour réduire tout risque de lésions oculaires, porter systématiquement une protection oculaire homologuée ANSI Z87.1 pour effectuer tout entretien.*

**⚠ AVERTISSEMENT :** *ne jamais utiliser de solvants ou tout autre produit chimique décapant pour nettoyer les parties non métalliques de l'outil. Ces produits chimiques pourraient attaquer les matériaux plastiques utilisés. Utiliser un chiffon humide et un savon doux. S'assurer qu'aucun liquide ne pénètre dans l'outil; ne jamais immerger aucune partie de l'outil dans un liquide.*

## NETTOYAGE DU CHARGEUR

**⚠ AVERTISSEMENT :** *risques de chocs électriques. Débrancher le chargeur de la prise de courant alternatif avant tout entretien. Éliminer toute saleté ou graisse de la surface externe du chargeur à l'aide d'un chiffon ou d'une brosse non métallique douce. Ne pas utiliser d'eau ou aucun nettoyant liquide.*

## Guide De Dépannage

### LE THERMOMÈTRE IR REFUSE DE SE METTRE EN MARCHÉ

- Assurez-vous que le bloc-piles de 12 V max\* est bien chargé.
- Si le thermomètre IR a été entreposé à des températures ambiantes extrêmement élevées, le laisser refroidir. Le thermomètre IR ne sera pas endommagé si on appuie sur le bouton MARCHE/ARRÊT avant qu'il ne soit refroidi jusqu'à la température adéquate d'utilisation.

## Accessoires

**⚠ AVERTISSEMENT :** *comme les accessoires autres que ceux offerts par DEWALT n'ont pas été testés avec ce produit, leur utilisation avec cet appareil pourrait comporter un danger. Pour réduire tout risque de dommages corporels, seuls des accessoires DEWALT recommandés doivent être utilisés avec cet appareil.*

Les accessoires recommandés pour cet outil sont vendus séparément chez les distributeurs locaux ou dans les centres de réparation agréés. Si vous avez besoin d'aide pour localiser ces accessoires, veuillez contacter DEWALT Industrial Tool Co., 701 East Joppa Road, Baltimore, MD 21286, ou appeler 1 800 433-9258 (1 800 4-DEWALT) ou vous rendre sur notre site [www.dewalt.com](http://www.dewalt.com).

### **Réparations**

Le chargeur, le bloc-piles et Thermomètre IR ne sont pas réparable. Aucune pièce à l'intérieur du chargeur, le bloc-piles et Thermomètre IR ne peut être réparée.

Pour assurer la SÉCURITÉ et la FIABILITÉ du produit, les réparations, l'entretien et les réglages doivent être réalisés (cela comprend l'inspection et le remplacement du balai) par un centre de réparation en usine DEWALT, un centre de réparation agréé DEWALT ou par d'autres techniciens qualifiés. Toujours utiliser des pièces de rechange identiques.

### **Registre en ligne**

Merci pour votre achat. Enregistrez dès maintenant votre produit:

- **RÉPARATIONS SOUS GARANTIE:** cette carte remplie vous permettra de vous prévaloir du service de réparations sous garantie de façon plus efficace dans le cas d'un problème avec le produit.
- **CONFIRMATION DE PROPRIÉTÉ:** en cas de perte provoquée par un incendie, une inondation ou un vol, cette preuve de propriété vous servira de preuve auprès de votre compagnie d'assurances.
- **SÉCURITÉ:** l'enregistrement de votre produit nous permettra de communiquer avec vous dans l'éventualité peu probable de l'envoi d'un avis de sécurité régi par la loi fédérale américaine de la protection des consommateurs.

Registre en ligne à [www.dewalt.com/register](http://www.dewalt.com/register).

### **Garantie limitée de trois ans**

DEWALT réparera, sans frais, tout produit défectueux causé par un défaut de matériel ou de fabrication pour une période de trois ans à compter de la date d'achat. La présente garantie ne couvre pas les pièces dont la défectuosité a été causée par une usure normale ou l'usage abusif de l'outil. Pour obtenir de plus amples renseignements sur les pièces ou les réparations couvertes par la présente garantie, visiter le site [www.dewalt.com](http://www.dewalt.com) ou composer le 1 800 433-9258 (1 800 4-DEWALT). Cette garantie ne s'applique pas aux accessoires et ne vise pas les dommages causés par des réparations effectuées par un tiers. Cette garantie confère des droits légaux particuliers à l'acheteur, mais celui-ci pourrait aussi bénéficier d'autres droits variant d'un état ou d'une province à l'autre.

En plus de la présente garantie, les outils DEWALT sont couverts par notre :

#### **CONTRAT D'ENTRETIEN GRATUIT D'UN AN**

DEWALT entretiendra l'outil et remplacera les pièces usées au cours d'une utilisation normale et ce, gratuitement, pendant une période d'un an à compter de la date d'achat.

#### **CONTRAT D'ENTRETIEN GRATUIT DE DEUX ANS SUR LES BLOC-PILES DEWALT**

DC9071, DC9091, DC9096, DC9280, DC9360, DC9180, DCB120, DCB201, DCB203, DCB207 et DCB127

#### **CONTRAT D'ENTRETIEN GRATUIT DE TROIS ANS SUR LES BLOC-PILES DEWALT**

DCB200, DCB204

### BLOCS-PILES DEWALT

La garantie de ce produit sera annulée si le bloc-piles a été altéré de quelque façon que ce soit. DEWALT ne peut être tenu responsable de tout dommage corporel causé par l'altération du produit et pourra poursuivre toute fraude en matière de garantie dans toute l'étendue permise par la loi.

#### GARANTIE DE REMBOURSEMENT DE 90 JOURS

Si l'acheteur n'est pas entièrement satisfait, pour quelque raison que ce soit, du rendement de l'outil électrique, du laser ou de la cloueuse DEWALT, celui-ci peut le retourner, accompagné d'un reçu, dans les 90 jours à compter de la date d'achat pour obtenir un remboursement intégral, sans aucun problème.

**AMÉRIQUE LATINE :** cette garantie ne s'applique aux produits vendus en Amérique latine. Pour ceux-ci, veuillez consulter les informations relatives à la garantie spécifique présente dans l'emballage, appeler l'entreprise locale ou consulter le site Web pour les informations relatives à cette garantie.

**REMPACEMENT GRATUIT DES ÉTIQUETTES D'AVERTISSEMENT :** si les étiquettes d'avertissement deviennent illisibles ou sont manquantes, composer le 1 800 433-9258 (1 800 4-DEWALT) pour en obtenir le remplacement gratuit.

### CARACTÉRISTIQUES TECHNIQUES

|                          |   |
|--------------------------|---|
| Source de lumière        | Diode laser à semi-conducteur   |
| Longueur d'onde du laser | Visible : 620–690 nm  |
| Puissance du laser       | APPAREIL LASER DE CLASSE 2, <1mw  |
| Température d'emploi     | -29 °C à 500 °C (-20 °F à 932 °F)   |
| Champs de vision         | Distance:Cible (D:S) = approximativement 12:1   |
| Précision                | +/-1.5 % ou +/-1,5 °C, celui qui sera le plus élevé, en assumant une température ambiante d'utilisation de 23 à 25 °C (73 à 77 °F) sur une surface noire (EMS 0,95) |
| Émissivité               | Ajustable par incréments de 0,01  |
| Source de courant        | Bloc-piles au Lithium ion de 12 V max*<br>DEWALT  |





### **Definiciones: Normas de seguridad**

Las siguientes definiciones describen el nivel de gravedad de cada palabra de señal. Lea el manual y preste atención a estos símbolos.

**⚠ PELIGRO:** Indica una situación de peligro inminente que, si no se evita, provocará **la muerte o lesiones graves**.

**⚠ ADVERTENCIA:** Indica una situación de peligro potencial que, si no se evita, **podría provocar la muerte o lesiones graves**.

**⚠ ATENCIÓN:** Indica una situación de peligro potencial que, si no se evita, **posiblemente provocaría lesiones leves o moderadas**.

**AVISO:** Se refiere a una práctica **no relacionada a lesiones corporales** que de no evitarse **puede resultar en daños a la propiedad**.

SI TIENE ALGUNA DUDA O ALGÚN COMENTARIO SOBRE ÉSTA U OTRA HERRAMIENTA DEWALT, LLÁMENOS AL NÚMERO GRATUITO: **1-800-4-DEWALT (1-800-433-9258)**.



**ADVERTENCIA:** Para reducir el riesgo de lesiones, lea el manual de instrucciones.

### **Advertencias generales de seguridad para herramientas eléctricas**



**ADVERTENCIA!** Lea todas las advertencias de seguridad e instrucciones. El incumplimiento de las advertencias e instrucciones puede provocar descargas eléctricas, incendios o lesiones graves.

## **CONSERVE TODAS LAS ADVERTENCIAS E INSTRUCCIONES PARA FUTURAS CONSULTAS**

El término "herramienta eléctrica" incluido en las advertencias hace referencia a las herramientas eléctricas operadas con corriente (con cable eléctrico) o a las herramientas eléctricas operadas con baterías (inalámbricas).

### **SEGURIDAD EN EL ÁREA DE TRABAJO**

- Mantenga el área de trabajo limpia y bien iluminada.** Las áreas abarrotadas y oscuras propician accidentes.
- Mantenga alejados a los niños y a los espectadores de la herramienta eléctrica en funcionamiento.** Las distracciones pueden provocar la pérdida de control.

### **SEGURIDAD PERSONAL**

- Permanezca alerta, controle lo que está haciendo y utilice el sentido común cuando emplee una herramienta eléctrica. No utilice una herramienta eléctrica si está cansado o bajo el efecto de drogas, alcohol o medicamentos.** Un momento de descuido mientras se opera una herramienta eléctrica puede provocar lesiones personales graves.
- Utilice equipos de protección personal. Siempre utilice protección para los ojos.** En las condiciones adecuadas, el uso de equipos de protección, como máscaras para polvo, calzado de seguridad antideslizante, cascos o protección auditiva, reducirá las lesiones personales.
- Evite el encendido por accidente. Asegúrese de que el interruptor esté en la posición de apagado antes de conectarlo a la fuente de energía o paquete de baterías, o antes de levantar o transportar la herramienta.** Transportar herramientas eléctricas con el dedo apoyado en el interruptor

o enchufar herramientas eléctricas con el interruptor en la posición de encendido puede propiciar accidentes.

- d) **No se estire. Conserve el equilibrio y párese adecuadamente en todo momento.** Esto permite un mejor control de la herramienta eléctrica en situaciones inesperadas.
- e) **Use la vestimenta adecuada. No use ropas holgadas ni joyas. Mantenga el cabello, la ropa y los guantes alejados de las piezas en movimiento.** Las ropas holgadas, las joyas o el cabello largo pueden quedar atrapados en las piezas en movimiento.

#### USO Y MANTENIMIENTO DE LA HERRAMIENTA ELÉCTRICA

- a) **No utilice la herramienta eléctrica si no puede encenderla o apagarla con el interruptor.** Toda herramienta eléctrica que no pueda ser controlada mediante el interruptor es peligrosa y debe repararse.
- b) **Desconecte el enchufe de la fuente de energía o el paquete de baterías de la herramienta eléctrica antes de realizar ajustes, cambiar accesorios o almacenar la herramienta eléctrica.** Estas medidas de seguridad preventivas reducen el riesgo de encender la herramienta eléctrica en forma accidental.
- c) **Guarde la herramienta eléctrica que no esté en uso fuera del alcance de los niños y no permita que otras personas no familiarizadas con ella o con estas instrucciones operen la herramienta.** Las herramientas eléctricas son peligrosas si son operadas por usuarios no capacitados.
- d) **Realice el mantenimiento de las herramientas eléctricas. Revise que no haya piezas en movimiento mal alineadas o trabadas, piezas rotas o cualquier otra situación que pueda afectar el funcionamiento de la herramienta eléctrica. Si encuentra daños, haga reparar la herramienta eléctrica antes de utilizarla.** Se producen muchos accidentes

a causa de las herramientas eléctricas que carecen de un mantenimiento adecuado.

- e) **Mantenga las herramientas de corte afiladas y limpias.** Las herramientas de corte con mantenimiento adecuado y con los bordes de corte afilados son menos propensas a trabarse y son más fáciles de controlar.
- f) **Utilice la herramienta eléctrica, los accesorios y las brocas de la herramienta, etc. de acuerdo con estas instrucciones y teniendo en cuenta las condiciones de trabajo y el trabajo que debe realizarse.** El uso de la herramienta eléctrica para operaciones diferentes de aquéllas para las que fue diseñada podría originar una situación peligrosa.

#### USO Y MANTENIMIENTO DE LA HERRAMIENTA CON BATERÍAS

- a) **Recargue solamente con el cargador especificado por el fabricante.** Un cargador adecuado para un tipo de paquete de baterías puede originar riesgo de incendio si se utiliza con otro paquete de baterías.
- b) **Utilice herramientas eléctricas sólo con paquetes de baterías específicamente diseñados.** El uso de cualquier otro paquete de baterías puede producir riesgo de incendio y lesiones.
- c) **Cuando no utilice el paquete de baterías, manténgalo lejos de otros objetos metálicos como sujetapapeles, monedas, llaves, clavos, tornillos u otros objetos metálicos pequeños que puedan realizar una conexión desde un terminal al otro.** Los cortocircuitos en los terminales de la batería pueden provocar quemaduras o incendio.
- d) **En condiciones abusivas, el líquido puede ser expulsado de la batería. Evite su contacto. Si entra en contacto accidentalmente, enjuague con agua. Si el líquido entra en contacto con los ojos, busque atención médica.** El

líquido expulsado de la batería puede provocar irritación o quemaduras.

#### MANTENIMIENTO

- a) **Solicite a una persona calificada en reparaciones que realice el mantenimiento de su herramienta eléctrica y que sólo utilice piezas de repuesto idénticas.** Esto garantizará la seguridad de la herramienta eléctrica.


### Información de seguridad para Láseres y Termómetros IR

**⚠ ADVERTENCIA: Exposición a radiación láser. No desarme ni modifique el termómetro IR. No contiene piezas que el usuario pueda reparar. Podría resultar en una lesión grave a los ojos.**

**⚠ ADVERTENCIA: Radiación peligrosa.** El uso de controles o ajustes o la ejecución de procedimientos diferentes a los aquí especificados, pueden resultar en una exposición peligrosa a radiación.

- **No opere el termómetro de IR en atmósferas explosivas, como en presencia de líquidos, gases o polvos inflamables.** Las herramientas eléctricas producen chispas que pueden originar la ignición del polvo o los vapores.
- **Solamente utilice el termómetro IR con las baterías DEWALT diseñadas específicamente.** La utilización de otras baterías comporta riesgo de incendio.
- **Cuando no lo utilice, guarde el termómetro IR fuera del alcance de los niños y de otras personas no capacitadas.** Los láseres son peligrosos en manos de personas no capacitadas.
- **El servicio a la herramienta sólo debe realizarlo personal calificado. El servicio o el mantenimiento realizado por personal no calificado puede producir lesiones.** Si desea localizar el centro de servicios de DEWALT más cercano llame al número 1-800-4-DEWALT (1-800-433-9258) o visite <http://www.dewalt.com> en Internet.

- **No use herramientas ópticas tales como telescopios o teodolitos para ver el rayo láser.** Podría resultar en una lesión grave a los ojos.
- **No coloque el termómetro IR en una posición tal que pudiera tener como resultado que alguien mire directamente al rayo láser, ya sea intencionadamente o sin querer.** Podría resultar en una lesión grave a los ojos.
- **No desarme el termómetro IR.** No contiene piezas que el usuario pueda reparar.
- **De ningún modo modifique el termómetro IR.** La modificación de la herramienta puede resultar en una exposición peligrosa a radiación láser.
- **No opere el termómetro IR en la presencia de niños ni permita que un niño opere el IR thermometer. Puede resultar en una lesión grave a los ojos.**
- **No quite ni escriba sobre las etiquetas de advertencia.** La falta de etiquetas aumenta el riesgo de exposición a una radiación.
- **No utilice el termómetro IR para comprobar las temperaturas de alimentos cocinados o crudos.**
- **No lo utilice para tomar la temperatura corporal en seres humanos o animales.**
- **⚠ ADVERTENCIA: Peligro de quemadura.** Es posible que la lectura no sea precisa si el termómetro está en un ambiente de fuertes campos electromagnéticos (como soldadura al arco, calentadores por inducción, transmisores de radio, etc). No utilice el termómetro IR bajo estas condiciones.
- **⚠ ATENCIÓN: El uso de controles, los ajustes o la ejecución de procedimientos diferentes a los aquí especificados, podría resultar en una exposición peligrosa a la radiación.**
- La etiqueta de su herramienta puede incluir los siguientes símbolos.  
V ..... voltios

|   |                                 |
|---|---------------------------------|
| mW .....  | milivatios                      |
|  ..... | Símbolo de advertencia de láser |
| nm .....  | longitud de onda en nanómetros  |
| 2.....  | Láser de clase 2                |
| 3a.....   | Láser de clase 3a               |

### ETIQUETAS DE ADVERTENCIA

Para su beneficio y seguridad, la siguiente etiqueta se encuentra adherida a su termómetro IR (Fig. 2).

**⚠ ADVERTENCIA:** RADIACIÓN LÁSER NO MIRE DIRECTAMENTE AL HAZ PRODUCTO LÁSER DE CLASE 2 POTENCIA MÁXIMA DE SALIDA <1mW.

**⚠ ADVERTENCIA:** Use **SIEMPRE** gafas de seguridad. Los anteojos de diario **NO SON** lentes de seguridad. Utilice además una máscara para la cara o guardapolvo si la operación de corte genera demasiado polvo. **SIEMPRE LLEVE EQUIPO DE SEGURIDAD CERTIFICADO:**

- Protección ocular ANSI Z87.1 (CAN/CSA Z94.3)

**⚠ ADVERTENCIA:** Este producto contiene sustancias químicas que en el Estado de California se consideran causantes de cáncer, defectos congénitos y otros daños reproductivos.

**⚠ ATENCIÓN:** Cuando no se use, guarde la herramienta en posición horizontal sobre una superficie estable, donde no interrumpa el paso o provoque una caída. Algunas herramientas con baterías grandes pueden pararse sobre la unidad de batería, pero pueden caerse fácilmente.

### Instrucciones de seguridad importantes para todas las unidades de batería

Cuando solicite unidades de batería de repuesto, no olvide indicar el número de catálogo y el voltaje. Consulte la tabla al final de este

manual para ver la compatibilidad entre cargadores y unidades de batería.

La unidad de batería no viene completamente cargada de fábrica. Antes de usar la unidad de batería y el cargador, lea las siguientes instrucciones de seguridad. Luego, siga los procedimientos de carga indicados.

### LEA TODAS LAS INSTRUCCIONES

- **No cargue o use la batería en atmósferas explosivas, como en presencia de líquidos, gases o polvos inflamables.** Puede que al insertar o sacar la batería del cargador se inflamen el polvo o los gases.
- **NUNCA fuerce la unidad de batería para que entre en el cargador. NO modifique la unidad de batería en ninguna forma para que entre en un cargador no compatible, pues puede producir una ruptura en la unidad de batería y causar lesiones corporales graves.** Consulte la tabla al final de este manual para ver la compatibilidad entre baterías y cargadores.
- Cargue las unidades de batería sólo en cargadores DEWALT.
- **NO** salpique con ni sumerja en agua u otros líquidos.
- **No guarde ni use la herramienta y unidad de batería en lugares donde la temperatura pueda alcanzar o superar los 40 °C (105 °F), tales como cobertizos o construcciones de metal durante el verano).**
- **⚠ ADVERTENCIA:** Peligro de incendio. Nunca intente abrir la unidad de batería por ningún motivo. Si la caja exterior de la unidad de batería se triza o daña, no la introduzca en el cargador. No triture, deje caer o dañe la unidad de batería. No use una unidad de batería o un cargador que haya sido golpeado, dejado caer, atropellado o dañado en cualquier forma (es decir, perforado por un clavo, golpeado con un martillo, pisado). Lleve sus unidades de batería dañadas a un centro de servicio para que sean recicladas.

⚠ **ADVERTENCIA: Peligro de incendio. No guarde ni transporte la batería de manera que objetos metálicos puedan hacer contacto con los terminales expuestos de la batería.** Por ejemplo, no ponga la batería en delantales, bolsillos, cajas de herramientas, estuches de productos, cajones, etc., junto con clavos, tornillos, llaves, etc. **El transporte de baterías puede causar incendios si sus terminales inadvertidamente entran en contacto con materiales conductores como llaves, monedas, herramientas de mano y otros por el estilo.** El Reglamento sobre Materiales Peligrosos (HMR) del Ministerio de Transporte de los Estados Unidos actualmente prohíbe el transporte de baterías en el comercio o en aviones (es decir, embaladas en maletas y maletines de mano) A NO SER que estén debidamente protegidas contra cortocircuitos. Por lo tanto, cuando transporte baterías individuales, asegúrese de que sus terminales estén protegidos y debidamente aislados de materiales que pudieran entrar en contacto con ellos y causar un cortocircuito

#### **INSTRUCCIONES DE SEGURIDAD ESPECÍFICAS PARA BATERÍAS DE IONES DE LITIO (Li-Ion)**

- **NO incinere la unidad de batería, aunque esté completamente dañada o descargada. La unidad de batería puede explotar si se quema.** Cuando se queman unidades de batería de iones de litio, se producen gases y materiales tóxicos.
- **Si el contenido de la batería entra en contacto con la piel, lave el área de inmediato con agua y un jabón suave.** Si el líquido de la batería entra en contacto con sus ojos, enjuáguelos con agua y los ojos abiertos por 15 minutos o hasta que cese la irritación. Si se requiere de asistencia médica, el electrolito de la batería está compuesto por una mezcla de carbonatos orgánicos líquidos y sales de litio.

- **El contenido de los elementos abiertos de la batería puede causar irritación en el tracto respiratorio.** Salga al aire fresco. Si los síntomas persisten, busque asistencia médica.

⚠ **ADVERTENCIA: Peligro de quemaduras.** El líquido de la batería puede ser inflamable si se expone a chispas o llamas.

#### **El sello RBRC™**

El sello RBRC™ (Rechargeable Battery Recycling Corporation) en las baterías (o unidades de batería) de níquel cadmio, níquel e hidruro metálico o de iones de litio indica que el costo de reciclaje de estas baterías (o unidades de batería) al llegar al final de su vida de servicio ya ha sido pagado por DEWALT. En algunas áreas, es ilegal depositar baterías de níquel cadmio, níquel e hidruro metálico o de iones de litio gastadas en la basura o la corriente de residuos sólidos urbanos; el programa RBRC proporciona una alternativa ecológica. RBRC™, en cooperación con DEWALT y otros usuarios de baterías, han establecido programas en los Estados Unidos y Canadá para facilitar la recolección de baterías de níquel cadmio, níquel e hidruro metálico o de iones de litio gastadas. Al llevar sus baterías de níquel cadmio, níquel e hidruro metálico y de iones de litio gastadas a un centro de servicio autorizado por DEWALT o al minorista local para que sean recicladas, ayuda a proteger el medio ambiente y a conservar recursos naturales. También puede comunicarse con el centro de reciclaje de su localidad para mayor información sobre dónde llevar sus baterías gastadas.

RBRC™ es una marca comercial registrada de *Rechargeable Battery Recycling Corporation*.



## **Instrucciones importantes de seguridad para todos los cargadores de baterías**

**GUARDE ESTAS INSTRUCCIONES:** Este manual contiene instrucciones de seguridad y operación importantes para los cargadores de baterías.

- Antes de usar el cargador, lea todas las instrucciones y advertencias que se encuentren en el cargador, la unidad de batería y el producto que usa la unidad de batería.

**⚠ ADVERTENCIA:** Peligro de descarga eléctrica. No permita que ningún líquido se introduzca en el cargador. Puede producir descargas eléctricas.

**⚠ ATENCIÓN:** Peligro de quemaduras. Para reducir el riesgo de lesiones, sólo cargue baterías recargables marca DEWALT. Otros tipos de baterías pueden estallar y causar así lesiones corporales y daños.

**AVISO:** Bajo ciertas condiciones, cuando el cargador está enchufado a una toma de corriente, el cargador pueden hacer cortocircuito si entra en contacto con algún material ajeno. Los materiales ajenos conductores por naturaleza, tales como, pero sin limitarse a, el polvo del esmerilado, las virutas metálicas, la lana de acero, el papel de aluminio o cualquier acumulación de partículas metálicas deberían mantenerse alejados de las cavidades del cargador. Desenchufe siempre el cargador de la toma de corriente cuando no haya una unidad de batería en su cavidad. Desenchufe el cargador antes de intentar limpiarlo.

**⚠ ADVERTENCIA:**

- **NO intente cargar la unidad de batería con otros cargadores que no sean los descritos en este manual.** El cargador y la

unidad de batería fueron específicamente diseñados para trabajar en conjunto.

- **Estos cargadores no fueron diseñados para ser utilizados para más que cargar las baterías recargables DEWALT.** Cualquier otro uso puede producir riesgo de incendios, descargas eléctricas o electrocución.
- **No exponga el cargador a la lluvia o a la nieve.**
- **Tire del enchufe y no del cable cuando desconecte el cargador.** De esta forma se reduce el riesgo de daño al enchufe y cable.
- **Asegúrese de que el cable no sea ubicado de manera que podría ser pisado, causar que alguien tropiece con él o ser expuesto a otro tipo de daños y desgastes.**
- **No use un alargador a menos que sea absolutamente necesario.** El uso de un alargador incorrecto podría producir riesgo de incendios, descargas eléctricas o electrocución.
- **Cuando opere una herramienta eléctrica afuera, use un alargador de exterior.** El uso de un alargador de exterior reduce el riesgo de descarga eléctrica.
- **Los hilos del alargador deben ser de un calibre apropiado (AWG o American Wire Gauge) para su seguridad.** Mientras menor sea el calibre del hilo, mayor la capacidad del cable. Es decir, un hilo calibre 16 tiene mayor capacidad que uno de 18. Un cable de un calibre insuficiente causará una caída en la tensión de la línea dando por resultado una pérdida de energía y sobrecalentamiento. Cuando se utilice más de un alargador para completar el largo total, asegúrese que los hilos de cada alargador tengan el calibre mínimo. La tabla siguiente muestra el tamaño correcto a utilizar, dependiendo de la longitud del cable y del amperaje nominal de la placa de identificación. Si tiene dudas sobre cuál calibre usar, use un calibre mayor. Cuanto más pequeño sea el número del calibre, más resistente será el cable.

| Calibre mínimo para cables de alimentación |       |         |   |            |                |            |
|--|-------|---------|---|------------|----------------|------------|
| Amperaje                                   |       | Voltios | Largo total del cable en metros (en pies) |            |                |            |
|  |       | 120 V   | 7,6 (25)                                  | 15,2 (50)  | 30,5 (100)     | 45,7 (150) |
|  |       | 240 V   | 15,2 (50)                                 | 30,5 (100) | 61,0 (200)     | 91,4 (300) |
| Desde                                      | Hasta | AWG     |   |            |                |            |
| 0  | 6     |         | 18  | 16         | 16             | 14         |
| 6  | 10    |         | 18  | 16         | 14             | 12         |
| 10   | 12    |         | 16  | 16         | 14             | 12         |
| 12   | 16    |         | 14  | 12         | No recomendado |            |

- **No coloque ningún objeto encima del cargador ni coloque a este sobre una superficie blanda que pudiera bloquear las ranuras de ventilación y resultar en un calor interno excesivo.** Coloque el cargador en un lugar alejado de cualquier fuente de calor. El cargador se ventila a través de las ranuras que se encuentran en la parte superior e inferior de la caja protectora.
- **No opere el cargador si su cable o enchufe están dañados.**
- **No opere el cargador si ha recibido un golpe agudo, si se ha dejado caer o si ha sido dañado de alguna otra forma.** Llévelo a un centro de servicio autorizado.
- **No desarme el cargador; llévelo a un centro de servicio autorizado cuando deba ser reparado.** Si es reensamblado incorrectamente, puede causar descargas eléctricas, electrocución o incendios.
- **Desenchufe el cargador antes de intentar limpiarlo. Esto reducirá el riesgo de descargas eléctricas.** El retirar el paquete de baterías no reducirá este riesgo.
- **NUNCA** intente conectar 2 cargadores entre sí.
- **El cargador está diseñado para operar con una corriente eléctrica estándar residencial de 120 V. No intente usarlo con ningún otro voltaje.** Esto no aplica al cargador vehicular.

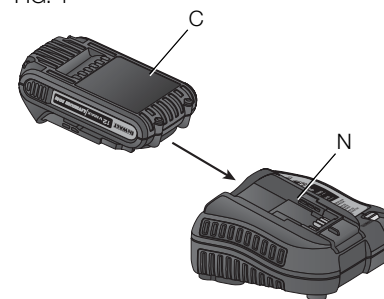
## Cargadores

Su herramienta utiliza un cargador DEWALT. Asegúrese de leer todas las instrucciones de seguridad antes de usar el cargador. Consulte la tabla al respaldo de este manual para ver la compatibilidad entre cargadores y las unidades de batería.

### Procedimiento de carga (Fig. 1)

1. Enchufe el cargador en una toma de corriente apropiada antes de insertar la unidad de batería.

FIG. 1



2. Inserte la unidad de batería (C) en el cargador (N), como se muestra en la figure 1, comprobando que quede bien colocado dentro del mismo.

La luz roja (de carga) parpadeará continuamente para indicar que se ha iniciado el proceso de carga.

3. La luz roja se quedará ENCENDIDA continuamente cuando se haya completado el proceso de carga. La unidad estará entonces completamente cargada y podrá ser utilizado de inmediato o dejarse en el cargador.

### Operación de la luz indicadora

DCB106



Español



**DCB107, DCB112****Indicadores de carga****RETRASO POR PAQUETE CALIENTE/FRÍO****DCB107, DCB112**

Los cargadores DCB107 y DCB112 tienen una función de retardo por batería caliente/fría. Cuando el cargador detecta una batería caliente, automáticamente retrasa la carga hasta que la batería se haya enfriado. Cuando el cargador detecta una batería fría, automáticamente retrasa la carga hasta que la batería se haya calentado.

La luz roja continuará parpadeando, pero la luz indicadora amarilla estará iluminada durante esta operación. La luz amarilla se apagará cuando el cargador reanuda proceso de carga normal.

**PERMANENCIA DE LA UNIDAD DE BATERÍA EN EL CARGADOR**

El cargador y la unidad de batería pueden dejarse conectados con la luz del cargador indicando que la unidad está cargada.

**UNIDADES DE BATERÍA DESGASTADAS:** Las baterías desgastadas seguirán funcionando pero no debe esperarse que tengan capacidad para la misma cantidad de trabajo.

**UNIDADES DE BATERÍA DEFECTUOSAS:** Este cargador no cargará una unidad de batería defectuosa. El cargador indicará que la unidad de batería es defectuosa al no iluminarse o al indicar que existe un problema con la unidad o el cargador.

**NOTA:** Esto también puede significar que hay un problema con el cargador.

**Montaje en la pared****DCB107, DCB112**

Estos cargadores están diseñados para montarse en la pared o colocarse en posición vertical sobre una mesa o superficie de trabajo.

Si se monta en la pared, ubicar el cargador al alcance de una toma de corriente. Montar el cargador firmemente utilizando tornillos para muro seco de un mínimo de 25,4 mm (1") de largo, atornillados en madera hasta una profundidad óptima dejando el tornillo expuesto aproximadamente 5,5 mm (7/32").

**Notas importantes sobre la carga**

1. Se puede obtener una mayor duración y un mejor rendimiento si la unidad de batería se carga a una temperatura ambiente de 18–24 °C (65–75 °F). NO cargue la unidad de batería a una temperatura ambiental inferior a +4,5 °C (+40 °F) o superior a +40,5 °C (+105 °F). Esto es importante y evitará causar daños graves a la batería.
2. Puede que el cargador y la unidad de batería se calienten ligeramente durante el proceso de carga. Esto es normal y no representa ningún problema. Para facilitar el enfriamiento de la unidad de batería después del uso, evite colocar el cargador o la unidad de batería en un lugar cálido, como un cobertizo metálico o un remolque sin aislamiento térmico.
3. Si la unidad de batería no se carga correctamente:



- a. Verifique el funcionamiento de la toma enchufando una lámpara u otro aparato;
  - b. Revise que la toma de corriente no esté conectada a un interruptor de luz que corte la corriente cuando se corte la luz;
  - c. Mueva el cargador y la unidad de batería a un lugar donde la temperatura ambiental sea aproximadamente 18–24 °C (65–75 °F);
  - d. Si el problema de carga continúa, lleve la herramienta, unidad de batería y el cargador a su centro de servicio local.
4. La unidad de batería debería ser recargada cuando no sea capaz de producir suficiente potencia para trabajos que eran fácilmente realizados antes. NO CONTINÚE usándola bajo estas circunstancias. Siga el procedimiento de carga. También puede cargar una unidad de batería que haya sido usada parcialmente cuando lo desee, sin dañarla.
5. Los materiales ajenos conductores por naturaleza, tales como, pero sin limitarse a, el polvo del esmerilado, las virutas metálicas, la lana de acero, el papel de aluminio o cualquier acumulación de partículas metálicas deberían mantenerse alejados de las cavidades del cargador. Desenchufe siempre el cargador de la toma de corriente cuando no haya una unidad de batería en su cavidad. Desenchufe el cargador antes de intentar limpiarlo.
6. No congele ni sumerja el cargador en agua o cualquier otro líquido.

**⚠ ADVERTENCIA:** Peligro de descarga eléctrica. No permita que ningún líquido se introduzca en el cargador. Puede producir descargas eléctricas.

**⚠ ATENCIÓN:** Nunca intente abrir la unidad de batería por ningún motivo. Si la caja plástica de la unidad de batería se triza o rompe, llévela a un centro de servicio para su reciclaje.

### **Recomendaciones de almacenamiento**

1. El mejor lugar de almacenamiento es uno que sea fresco y seco, lejos de la luz solar directa y del exceso de calor o frío.
2. Para resultados óptimos durante tiempos prolongados de almacenamiento, se recomienda almacenar la unidad de batería completamente cargada en un lugar fresco y seco fuera del cargador.

**NOTA:** Las unidades de batería no deberían almacenarse completamente descargadas. La unidad de batería deberá recargarse antes de ser usada.

## **GUARDE ESTAS INSTRUCCIONES PARA FUTURAS CONSULTAS**

### **Información sobre el láser**

El termómetro infrarrojo (termómetro IR) es un producto láser de clase 2 y cumple con las normativas 21 CFR 1040.10 y 1040.11, excepto para las variaciones según el aviso sobre el láser No. 50 con fecha del 24 de junio de 2007.

### **Emisividad**

La emisividad describe las características de emisión de energía de los materiales. La mayoría de los materiales orgánicos y las superficies pintadas u oxidadas tienen una emisividad de cerca de 0,95 que es la configuración predeterminada. Se recomienda compensar las lecturas erróneas que pueden resultar de la medición de materiales con bajos valores de emisividad, tales como superficies metálicas brillantes. Cubra estas superficies con cinta de enmascarar o pintura negra mate (< 148 °C/300 °F) y utilice la configuración predeterminada (0,95). Dé

tiempo para que la cinta o la pintura alcancen la misma temperatura que la superficie debajo de ella y luego mida la temperatura de la cinta o superficie pintada.

Si no puede pintar o utilizar cinta, entonces puede compensar sus medidas con el selector de emisividad. Incluso con la emisividad ajustable, puede ser difícil obtener una medición por infrarrojos totalmente exacta de un objetivo con una superficie brillante o metálica. Se puede requerir experimentación para establecer temperaturas de referencia, y la experiencia le ayudará a elegir la mejor configuración para las mediciones específicas.

El termómetro tiene una emisividad ajustable desde 0,1 a 1,0 en incrementos de 0,01. Refiérase a la Tabla de emisividad nominal en este manual. La referencia a la configuración de emisividad en la tabla son sugerencias para situaciones típicas; su situación específica puede variar.

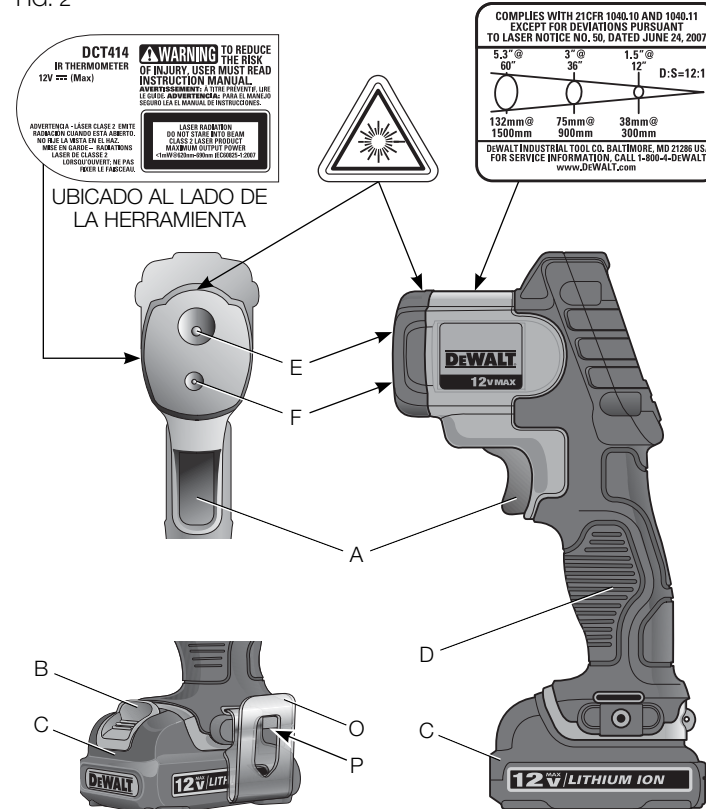
**NOTA:** La calibración de este producto fue efectuada con emisividad de 0,95.






### COMPONENTES (Fig. 1-3)

**⚠ ADVERTENCIA:** Nunca modifique la herramienta eléctrica, ni tampoco ninguna de sus piezas. Podría producir lesiones corporales.

- A. Gatillo para medición
- B. Botón de destrabado de la batería
- C. Batería de iones de litio DEWALT de 12 V Max\*
- D. Agarradera principal
- E. Sensor IR
- F. Láser/haz apuntador
- G. Pantalla de cristal líquido

FIG. 2



- H.  Botón de modo de alarma: es utilizado para seleccionar el tipo de alarma, y para fijar los límites de temperatura alto (HAL) y bajo (LAL) para la alarma.  
 Alarma 1 – la temperatura ha alcanzado el límite fijado, indicado por el LED rojo/azul (M)  
 Alarma 2 - la temperatura ha alcanzado el límite fijado, indicado por el sonido del zumbador  
 Alarma 3 – la temperatura ha alcanzado el límite fijado, indicado tanto por el LED como por el zumbador
- I.  Botón de modo mín/máx/prom: Indica la temperatura más baja, la temperatura más alta o la temperatura promedio.
- J.  Botón de ajuste: Utilizado con cada botón de modo para fijar el valor deseado.
- K.  Botón de modo EMS: Establece el valor de emisividad.
- L.  Botón de modo C /F: Utilizado para fijar las unidades de medida de la temperatura (Celsius o Fahrenheit).
- M. Indicador LED - Activo en los modos Alarma 1 y Alarma 3.  
 Azul: sirve como alarma para mostrar que la temperatura ha llegado al **mínimo** establecido.  
 Rojo: sirve como alarma para mostrar que la temperatura ha llegado al **máximo** establecido.
- N. Cargador de baterías

### ICONOS EN LA PANTALLA: (FIG. 3)

**Hold (sostener)** – Aparecerá después de que suelte el gatillo, para hacerle saber que esa fue la última temperatura medida.

**Scan (explorar)** – Aparecerá mientras sostenga el gatillo para buscar diferentes temperaturas.

**Alarm setting (configuración de alarma)** – este icono le permitirá saber cual alarma ha escogido para ser indicada; indicador de color, zumbido o ambas.

**F o C** – Indica las unidades de medida para la temperatura

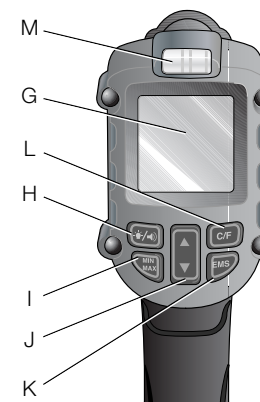
**Battery (Batería)** – indicará cuánta carga queda en la batería.

**NOTA:** El indicador de batería baja está ubicado directamente encima de la lectura de temperatura en la pantalla. Las barras en el indicador de batería baja indicarán la capacidad de la batería. El Termómetro IR puede seguir funcionando durante un período corto de tiempo mientras las pilas se siguen agotando, pero los rayos se harán tenues rápidamente. Tras insertar baterías nuevas y encender de nuevo el Termómetro IR, éste recobrará su brillo completo.

### USO DEBIDO

El Termómetro IR mide temperatura superficiales midiendo la cantidad de radiación infrarroja emitida hacia afuera del objeto. Este tipo de medición es una medición sin contacto de la temperatura de las superficies. Esta herramienta se suministra completamente montada. Se ha diseñado esta herramienta con funciones que permiten una configuración fácil y rápida.

FIG. 3



## Gancho para cinturón (Fig. 2) (Accesorio opcional)

⚠ **ADVERTENCIA:** Para reducir el riesgo de lesión corporal grave, **NO** cuelgue la herramienta del techo ni cuelgue objetos del gancho para cinturón. **SÓLO** cuelgue el gancho para cinturón de la herramienta de un cinturón de herramientas.

⚠ **ADVERTENCIA:** Para reducir el riesgo de lesión corporal grave, verifique que el tornillo (P) que sujeta el gancho para cinturón esté ajustado.

**IMPORTANTE:** Cuando enganche o retire el gancho para cinturón, utilice sólo el tornillo (P) que viene incluido.

El gancho para cinturón (O) puede ser adosado a cualquier lado de la herramienta utilizando solamente el tornillo (P) provisto, para adaptarse a usuarios zurdos o derechos. Si nunca va a necesitar el gancho, puede extraerlo de la herramienta.

Para mover el gancho para cinturón al otro lado, quite el tornillo (P) que sostiene el gancho para cinturón en su lugar y vuélvalo a ensamblar en el otro lado.

## FUNCIONAMIENTO

⚠ **ADVERTENCIA:** Para reducir el riesgo de lesiones corporales graves, apague la herramienta y desconecte la unidad de batería antes de realizar ajustes o de quitar o poner accesorios.

## Cómo instalar y retirar la unidad de batería (Fig. 4)

**NOTA:** Asegúrese de que la unidad de batería esté completamente cargada.

Para instalar la unidad de batería (C) en la agarradera de la herramienta, alinee la batería con los rieles dentro de la agarradera de la herramienta y deslicela firmemente en la agarradera hasta que oiga el chasquido de cierre.

Para retirar la unidad de batería de la herramienta, apriete el botón de destrabado (B) y tire firmemente de la unidad de batería mediante la agarradera de la herramienta. Insértela en el cargador tal como se describe en la sección del cargador de este manual.

## Seleccione la modalidad de funcionamiento

Lea los siguientes pasos antes de utilizar el termómetro IR.

### ESCOJA UNIDADES DE MEDIDA

Encienda la unidad engranando el gatillo. Una vez que aparezca la pantalla oprima el botón C / F hasta que las unidades de medida queden en la configuración correcta para la aplicación.

### ESCOJA EMISIVIDAD

Encienda la unidad engranando el gatillo, una vez que aparezca la pantalla presione el botón EMS para el ajuste de emisividad. A continuación, cuando el EMS esté parpadeando en la pantalla, utilice los botones de flecha hacia arriba o hacia abajo para seleccionar la emisividad. Por favor refiérase al gráfico a fin de escoger la emisividad correcta. Recuerde que la emisividad es ajustable en 0,01.

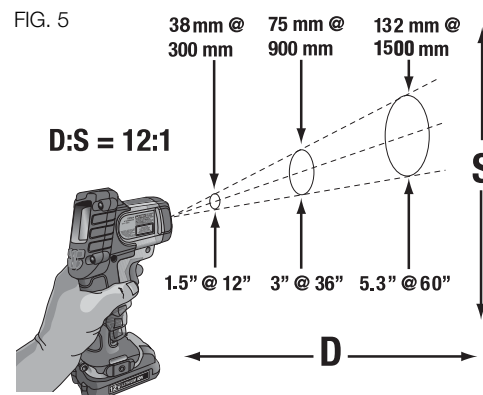
| TABLA DE EMISIVIDAD NOMINAL              |       |                               |       |
|--|-------|-------------------------------|-------|
| MATERIAL                                 | VALOR | MATERIAL                      | VALOR |
| Predeterminado****                       | 0,95  | Plomo*                        | 0,50  |
| Aluminio*                                | 0,30  | Aceite                        | 0,94  |
| Asbesto                                  | 0,95  | Pintura                       | 0,93  |
| Asfalto                                  | 0,95  | Plástico**                    | 0,95  |
| Latón*                                   | 0,50  | Goma                          | 0,95  |
| Cerámica                                 | 0,95  | Arena                         | 0,90  |
| * Oxidado                                |       | *** Natural                   |       |
| ** Opaco, más de 20 milésimas de pulgada |       | **** Configuración de fábrica |       |

| TABLA DE EMISIVIDAD NOMINAL              |       |                               |       |
|--|-------|-------------------------------|-------|
| MATERIAL                                 | VALOR | MATERIAL                      | VALOR |
| Hormigón                                 | 0,95  | Acero*                        | 0,80  |
| Cobre*                                   | 0,60  | Agua                          | 0,93  |
| Vidrio (placa)                           | 0,85  | Madera***                     | 0,94  |
| Hierro*                                  | 0,70  |                               |       |
| * Oxidado                                |       | *** Natural                   |       |
| ** Opaco, más de 20 milésimas de pulgada |       | **** Configuración de fábrica |       |

#### ESCOJA AJUSTES DE ALARMA Y TEMPERATURAS ALTA BAJA

1. Engrane el gatillo para encender la unidad.
2. Empuje el botón ALM.
3. Cuando ALM parpadea en la pantalla utilice las flechas arriba y abajo para seleccionar el tipo de alarma.
  - Alarma 1 – la temperatura ha alcanzado el límite fijado, indicado por el LED rojo/azul (M)
  - Alarma 2 - la temperatura ha alcanzado el límite fijado, indicado por el sonido de un zumbador
  - Alarma 3 – la temperatura ha alcanzado el límite fijado, indicado tanto por el LED como por el zumbador
4. Pulse de nuevo el botón ALM para confirmar la selección.
5. Ahora destellará la HAL (alarma de alta). Use las flechas hacia arriba y hacia abajo para seleccionar el límite de temperatura alta. Cuando se exceda la temperatura la alarma se activará.
6. Empuje el botón ALM. Ahora destellará la LAL (alarma de baja). Use las flechas hacia arriba y hacia abajo para seleccionar el límite de temperatura baja. Cuando la temperatura haya descendido la alarma se activará.
7. Oprima el botón ALM de nuevo para volver a la pantalla principal.

8. Ahora se pueden tomar las lecturas de temperatura.



#### DISTANCIA AL PUNTO (FIG. 5)

Los termómetros IR presentan un «efecto de cono», por el cual entre más lejos esté el termómetro del objeto, mayor es el área que está siendo medida. El termómetro IR tiene una relación de 12:1 como de distancia al punto (12:1), según la cual a 305 mm (12") del objeto medirá 25 mm (1"). El objeto que se está probando debe ser mayor que el tamaño del punto para garantizar lecturas precisas.

#### NOTAS IMPORTANTES SI SE TIENEN PROBLEMAS PARA TOMAR LA MEDIDA

1. Asegúrese de aplicar cinta de enmascarar o pintura negra mate a superficies altamente reflectantes (utilice la configuración por defecto de emisividad 0,95).
2. Cerciórese de tener la emisividad correcta para el material que se está probando. Refiérase a **Emisividad** y **Tabla de emisividad nominal**.

3. Limpie el material antes de la prueba si hay mucha suciedad, grasa, etc.

### **Consejos para el uso**

- Utilice únicamente la batería de iones de litio DEWALT de 12 V Max\*.
- Compruebe que las baterías estén en buenas condiciones. Si el indicador de batería baja parpadea las baterías deben ser recargadas.
- Para alargar la duración de la batería, suelte el gatillo del termómetro IR cuando no se estén tomando lecturas de temperatura.

### **MANTENIMIENTO**

**⚠ ADVERTENCIA:** Para reducir el riesgo de lesiones corporales graves, apague la herramienta y desconecte la unidad de batería antes de realizar ajustes o de quitar o poner accesorios.

### **LIMPIEZA**

**⚠ ADVERTENCIA :** Limpie la suciedad y el polvo de las rejillas de ventilación con aire seco y limpio al menos una vez por semana. Para minimizar el riesgo de lesiones oculares siempre lleve la debida protección ocular ANSI Z87.1 cuando haga esto.

**⚠ ADVERTENCIA:** Nunca utilice solventes u otros químicos fuertes cuando limpie las piezas no metálicas de la herramienta. Estos químicos pueden debilitar los materiales utilizados en estas piezas. Use un paño humedecido con agua y jabón suave. No permita que ningún líquido se introduzca en la herramienta; no sumerja ninguna parte de la herramienta en un líquido.

### **INSTRUCCIONES DE LIMPIEZA DEL CARGADOR**

**⚠ ADVERTENCIA:** Peligro de descarga eléctrica. Desconecte el cargador de la toma de corriente alterna antes de limpiarlo. Puede limpiar la suciedad y grasa del exterior del cargador con un paño o cepillo suave no metálico. No utilice agua ni líquidos de limpieza.

### **Solución de problemas**

#### **EL TERMÓMETRO IR NO SE ENCIENDE**

- Cerciórese de que la batería de 12 V max\* esté cargada.
- Si el Termómetro IR ha estado guardado en un lugar con una temperatura ambiental demasiado alta, deje que enfríe. El termómetro IR no se dañará si presiona el botón de encendido/apagado antes de que se enfríe a su temperatura de funcionamiento apropiada.

### **Accesorios**

**⚠ ADVERTENCIA:** Como otros accesorios fuera de los ofrecidos por DEWALT no han sido probados con este producto, el uso de tales accesorios con esta herramienta puede ser peligroso. Para reducir el riesgo de lesiones, sólo se deberían usar los accesorios recomendados por DEWALT con este producto.

Los accesorios recomendados para su herramienta están disponibles con un cargo adicional en su distribuidor local o en el centro de servicio autorizado. Si necesita ayuda para ubicar algún accesorio, por favor póngase en contacto con DEWALT Industrial Tool Co., 701 East Joppa Road, Baltimore, MD 21286, llame al 1-800-4-DEWALT (1-800-433-9258) o visite nuestro sitio [www.dewalt.com](http://www.dewalt.com)

### **Reparaciones**

El cargador, la unidad de batería y el termómetro IR no es útil. No hay partes útiles dentro del cargador, la unidad de batería y el termómetro IR.

Para asegurar la SEGURIDAD y la CONFIABILIDAD del producto, las reparaciones, el mantenimiento y los ajustes deben (inclusive inspección y cambio de carbones) ser realizados en un centro de mantenimiento en la fábrica DEWALT, en un centro de mantenimiento autorizado DEWALT u por otro personal de mantenimiento calificado. Utilice siempre piezas de repuesto idénticas.

**PARA REPARACIÓN Y SERVICIO DE SUS HERRAMIENTAS ELÉCTRICAS, FAVOR DE DIRIGIRSE AL CENTRO DE SERVICIO MÁS CERCANO**

**CULIACAN, SIN**

Blvd.Emiliano Zapata 5400-1 Poniente  
Col. San Rafael (667) 717 89 99

**GUADALAJARA, JAL**

Av. La Paz #1779 - Col. Americana Sector Juárez (33) 3825 6978

**MEXICO, D.F.**

Eje Central Lázaro Cárdenas No. 18  
Local D, Col. Obrera (55) 5588 9377

**MERIDA, YUC**

Calle 63 #459-A - Col. Centro (999) 928 5038

**MONTERREY, N.L.**

Av. Francisco I. Madero 831 Poniente - Col. Centro (818) 375 23 13

**PUEBLA, PUE**

17 Norte #205 - Col. Centro (222) 246 3714

**QUERETARO, QRO**

Av. San Roque 274 - Col. San Gregorio (442) 2 17 63 14

**SAN LUIS POTOSI, SLP**

Av. Universidad 1525 - Col. San Luis (444) 814 2383

**TORREON, COAH**

Blvd. Independencia, 96 Pte. - Col. Centro (871) 716 5265

**VERACRUZ, VER**

Prolongación Díaz Mirón #4280 - Col. Remes (229) 921 7016

**VILLAHERMOSA, TAB**

Constitución 516-A - Col. Centro (993) 312 5111

**PARA OTRAS LOCALIDADES:**

**Si se encuentra en México, por favor llame al (55) 5326 7100**

**Si se encuentra en U.S., por favor llame al**

**1-800-433-9258 (1-800 4-DEWALT)**

**Póliza de Garantía**

IDENTIFICACIÓN DEL PRODUCTO:

Sello o firma del Distribuidor.

Nombre del producto: \_\_\_\_\_ Mod./Cat.: \_\_\_\_\_

Marca: \_\_\_\_\_ Núm. de serie: \_\_\_\_\_

(Datos para ser llenados por el distribuidor)

Fecha de compra y/o entrega del producto: \_\_\_\_\_

Nombre y domicilio del distribuidor donde se adquirió el producto: \_\_\_\_\_

Este producto está garantizado por un año a partir de la fecha de entrega, contra cualquier defecto en su funcionamiento, así como en materiales y mano de obra empleados para su fabricación. Nuestra garantía incluye la reparación o reposición del producto y/o componentes sin cargo alguno para el cliente, incluyendo mano de obra, así como los gastos de transportación razonablemente erogados derivados del cumplimiento de este certificado.

Para hacer efectiva esta garantía deberá presentar su herramienta y esta póliza sellada por el establecimiento comercial donde se adquirió el producto, de no contar con ésta, bastará la factura de compra.

**Español**

**EXCEPCIONES**

Esta garantía no será válida en los siguientes casos:

- Cuando el producto se hubiese utilizado en condiciones distintas a las normales;
- Cuando el producto no hubiese sido operado de acuerdo con el instructivo de uso que se acompaña;
- Cuando el producto hubiese sido alterado o reparado por personas distintas a las enlistadas al final de este certificado.

Anexo encontrará una relación de sucursales de servicio de fábrica, centros de servicio autorizados y franquiciados en la República Mexicana, donde podrá hacer efectiva su garantía y adquirir partes, refacciones y accesorios originales.

**Registro en línea**

Gracias por su compra. Registre su producto ahora para:

- **SERVICIO EN GARANTÍA:** Si completa esta tarjeta, podrá obtener un servicio en garantía más eficiente, en caso de que exista un problema con su producto.
- **CONFIRMACIÓN DE PROPIEDAD:** En caso de una pérdida que cubra el seguro, como un incendio, una inundación o un robo, el registro de propiedad servirá como comprobante de compra.
- **PARA SU SEGURIDAD:** Si registra el producto, podremos comunicarnos con usted en el caso improbable que se deba enviar una notificación de seguridad conforme a la Federal Consumer Safety Act (Ley Federal de Seguridad de Productos para el Consumidor).

Registro en línea en [www.dewalt.com/register](http://www.dewalt.com/register).

**Garantía limitada por tres años**

DEWALT reparará, sin cargo, cualquier falla que surja de defectos en el material o la fabricación del producto, por hasta tres años a contar de la fecha de compra. Esta garantía no cubre fallas de las piezas

causadas por su desgaste normal o abuso a la herramienta. Para mayores detalles sobre la cobertura de la garantía e información acerca de reparaciones realizadas bajo garantía, visítenos en [www.dewalt.com](http://www.dewalt.com) o diríjase al centro de servicio más cercano. Esta garantía no aplica a accesorios o a daños causados por reparaciones realizadas o intentadas por terceros. Esta garantía le otorga derechos legales específicos, además de los cuales puede tener otros dependiendo del estado o la provincia en que se encuentre.

Además de la garantía, las herramientas DEWALT están cubiertas por:

**1 AÑO DE SERVICIO GRATUITO**

DEWALT mantendrá la herramienta y reemplazará las piezas gastadas por su uso normal, sin cobro, en cualquier momento durante un año a contar de la fecha de compra. Los artículos gastados por la clavadora, tales como la unidad de hoja y retorno del impulsador, no están cubiertas.

**2 AÑOS DE SERVICIO GRATUITO PARA UNIDADES DE ALIMENTACIÓN DEWALT**

DC9071, DC9091, DC9096, DC9280, DC9360, DC9180, DCB120, DCB201, DCB203, DCB207 y DCB127

**3 AÑOS DE SERVICIO GRATUITO PARA UNIDADES DE ALIMENTACIÓN DEWALT**

DCB200, DCB204

**UNIDADES DE BATERÍA DEWALT**

La garantía del producto quedará nula si la unidad de batería ha sido alterada de cualquier manera. DEWALT no es responsable de ninguna lesión causada por alteraciones y podría iniciar un procedimiento judicial por fraude de garantía hasta el máximo grado permisible por la ley.



### GARANTÍA DE REEMBOLSO DE SU DINERO POR 90 DÍAS

Si no está completamente satisfecho con el desempeño de su máquina herramienta, láser o clavadora DEWALT, cualquiera sea el motivo, podrá devolverlo hasta 90 días de la fecha de compra con su recibo y obtener el reembolso completo de su dinero – sin necesidad de responder a ninguna pregunta.

**AMÉRICA LATINA:** Esta garantía no se aplica a los productos que se venden en América Latina. Para los productos que se venden en América Latina, debe consultar la información de la garantía específica del país que viene en el empaque, llamar a la compañía local o visitar el sitio Web a fin de obtener esa información.

**REEMPLAZO GRATUITO DE LAS ETIQUETAS DE ADVERTENCIAS:** Si sus etiquetas de advertencia se vuelven ilegibles o faltan, llame al 1-800-4-DEWALT (1-800-433-9258) para que se le reemplacen gratuitamente.



|                        |   |
|------------------------|---|
| Precisión              | +/-1,5 % ó +/-1,5 °C, lo que resulte mayor , asumiendo una temperatura ambiente de operación de 23 °C a 25 °C (73 °F a 77 °F) sobre una fuente de cuerpo negro (EMS 0,95) |
| Emisividad             | Ajustable en incrementos de 0,01  |
| Fuente de alimentación | Batería de iones de litio DEWALT de 12 V Max*   |

SOLAMENTE PARA PROPÓSITO DE MÉXICO:  
 IMPORTADO POR: DEWALT INDUSTRIAL TOOL CO. S.A. DE C.V.  
 AVENIDA ANTONIO DOVALI JAIME, # 70 TORRE B PISO 9  
 COLONIA LA FE, SANTA FÉ  
 CÓDIGO POSTAL : 01210  
 DELEGACIÓN ALVARO OBREGÓN  
 MÉXICO D.F.  
 TEL. (52) 555-326-7100  
 R.F.C.: BDE810626-1W7

Para servicio y ventas consulte  
**"HERRAMIENTAS ELECTRICAS"**  
 en la sección amarilla.



### ESPECIFICACIONES

|                            |  |
|----------------------------|--|
| Fuente de luz              | Diodo láser semiconductor                    |
| Longitud de onda del láser | Visible, de 620 a 690 nm                     |
| Potencia del láser         | <1mW PRODUCTO LÁSER DE CLASE 2               |
| Rango de temperatura       | (-29 °C a 500 °C (-20 °F a 932 °F))          |
| Campo de vista             | Distancia:Punto (D:P) = Aproximadamente 12:1 |





| DEWALT Battery and Charger Systems  |                |           |       |        |        |        |        |        |        |        |        |        |        |        |       |        |        |        |        |        |          |        |        |        |        |        |        |        |
|---|----------------|-----------|-------|--------|--------|--------|--------|--------|--------|--------|--------|--------|--------|--------|-------|--------|--------|--------|--------|--------|----------|--------|--------|--------|--------|--------|--------|--------|
| Chargers/Charge Time (Minutes) – Chargeurs/Durée de charge (Minutes) – Cargadores de baterías/Tiempo de carga (Minutos) |                |           |       |        |        |        |        |        |        |        |        |        |        |        |       |        |        |        |        |        |          |        |        |        |        |        |        |        |
| Battery Cat #   | Output Voltage | 120 Volts |       |        |        |        |        |        |        |        |        |        |        |        |       |        |        |        |        |        | 12 Volts |        |        |        |        |        |        |        |
|   |                | DC011     | DC022 | DC9000 | DC9310 | DC9320 | DCB065 | DCB100 | DCB101 | DCB102 | DCB103 | DCB106 | DCB107 | DCB112 | DW911 | DW9106 | DW9107 | DW9108 | DW9116 | DW9117 | DW9118   | DW9216 | DW9226 | DW9246 | DCB119 | DW0249 | DW9109 | DC9319 |
| DC9360  | 36             | X         | X     | 45     | X      | X      | X      | X      | X      | X      | X      | X      | X      | X      | X     | X      | X      | X      | X      | X      | X        | X      | X      | X      | X      | X      | X      | X      |
| DCB361  | 36             | X         | X     | 45     | X      | X      | X      | X      | X      | X      | X      | X      | X      | X      | X     | X      | X      | X      | X      | X      | X        | X      | X      | X      | X      | X      | X      | X      |
| DC9280  | 28             | X         | X     | 60     | X      | X      | X      | X      | X      | X      | X      | X      | X      | X      | X     | X      | X      | X      | X      | X      | X        | X      | X      | X      | X      | X      | X      | X      |
| DW0242  | 24             | X         | X     | X      | X      | X      | X      | X      | X      | X      | X      | X      | X      | X      | X     | X      | X      | X      | X      | X      | X        | X      | 60     | X      | 60     | X      | X      |        |
| DCB200  | 20             | X         | X     | X      | X      | X      | X      | X      | 60     | 60     | 140    | 140    | 90     | X      | X     | X      | X      | X      | X      | X      | X        | X      | X      | X      | 90     | X      | X      | X      |
| DCB201  | 20             | X         | X     | X      | X      | X      | X      | X      | 30     | 30     | 30     | 70     | 70     | 45     | X     | X      | X      | X      | X      | X      | X        | X      | X      | X      | 45     | X      | X      | X      |
| DCB203  | 20             | X         | X     | X      | X      | X      | X      | X      | 35     | 35     | 35     | 90     | 90     | 60     | X     | X      | X      | X      | X      | X      | X        | X      | X      | X      | 60     | X      | X      | X      |
| DC9204  | 20             | X         | X     | X      | X      | X      | X      | X      | 70     | 70     | 70     | 185    | 185    | 120    | X     | X      | X      | X      | X      | X      | X        | X      | X      | X      | 120    | X      | X      | X      |
| DCB207  | 20             | X         | X     | X      | X      | X      | X      | X      | 30     | 30     | 30     | 60     | 60     | 40     | X     | X      | X      | X      | X      | X      | X        | X      | X      | X      | X      | X      | X      | X      |
| DC9096  | 18             | 60        | 60    | X      | 60     | 60     | X      | X      | X      | X      | 60     | X      | X      | X      | 60    | X      | X      | 60     | 20     | X      | 60       | 130    | X      | X      | X      | X      | 60     | 60     |
| DC9099  | 18             | 45        | 45    | X      | 45     | 45     | X      | X      | X      | 45     | X      | X      | X      | 45     | X     | X      | 45     | 45     | 15     | X      | 45       | 95     | X      | X      | X      | 45     | 45     |        |
| DC9180  | 18             | X         | X     | X      | 60     | 60     | X      | X      | X      | 60     | X      | X      | X      | X      | X     | X      | X      | X      | X      | X      | X        | X      | X      | X      | X      | X      | X      | 60     |
| DC9181  | 18             | X         | X     | X      | 30     | 30     | X      | X      | X      | 30     | X      | X      | X      | X      | X     | X      | X      | X      | X      | X      | X        | X      | X      | X      | X      | X      | X      | 30     |
| DW9096  | 18             | 60        | 60    | X      | 60     | 60     | X      | X      | X      | 60     | X      | X      | X      | 60     | X     | X      | 60     | 20     | X      | 60     | 130      | X      | X      | X      | X      | X      | 60     | 60     |
| DW9098  | 18             | 30        | 30    | X      | 30     | 30     | X      | X      | X      | 30     | X      | X      | X      | 30     | X     | X      | 30     | 30     | 12     | X      | 30       | 60     | X      | X      | X      | 30     | 30     |        |
| DW9099  | 18             | 45        | 45    | X      | 45     | 45     | X      | X      | X      | 45     | X      | X      | X      | 45     | X     | X      | 45     | 45     | 15     | X      | 45       | 95     | X      | X      | X      | 45     | 45     |        |
| DC9091  | 14.4           | 60        | 60    | X      | 60     | 60     | X      | X      | X      | 60     | X      | X      | X      | 60     | 90    | 60     | 60     | 60     | 20     | 115    | 60       | 115    | X      | X      | X      | 60     | 60     |        |
| DC9094  | 14.4           | 45        | 45    | X      | 45     | 45     | X      | X      | X      | 45     | X      | X      | X      | 45     | 60    | 45     | 45     | 45     | 15     | 90     | 45       | 90     | X      | X      | X      | 45     | 45     |        |
| DW9091  | 14.4           | 45        | 45    | X      | 45     | 45     | X      | X      | X      | 45     | X      | X      | X      | 45     | 60    | 45     | 45     | 45     | 15     | 90     | 45       | 90     | X      | X      | X      | 45     | 45     |        |
| DW9094  | 14.4           | 30        | 30    | X      | 30     | 30     | X      | X      | X      | 30     | X      | X      | X      | 30     | 45    | 30     | 30     | 30     | 12     | 60     | 30       | 60     | X      | X      | X      | 30     | 30     |        |
| DCB120  | 12             | X         | X     | X      | X      | X      | X      | 40     | 30     | 30     | 30     | X      | 60     | 45     | X     | X      | X      | X      | X      | X      | X        | X      | X      | 45     | X      | X      | X      |        |
| DCB127  | 12             | X         | X     | X      | X      | X      | X      | 35     | 35     | 35     | X      | 90     | 60     | X      | X     | X      | X      | X      | X      | X      | X        | X      | X      | 60     | X      | X      | X      |        |
| DC9071  | 12             | 60        | 60    | X      | 60     | 60     | X      | X      | X      | 60     | X      | X      | X      | 60     | 90    | 60     | 60     | 60     | 20     | 115    | 60       | 115    | X      | X      | X      | 60     | 60     |        |
| DW9050  | 12             | X         | X     | X      | X      | X      | X      | X      | X      | X      | X      | X      | X      | 40     | X     | X      | X      | X      | X      | X      | X        | X      | X      | X      | X      | X      | X      |        |
| DW9071  | 12             | 45        | 45    | X      | 45     | 45     | X      | X      | X      | 45     | X      | X      | X      | 45     | 60    | 45     | 45     | 45     | 15     | 90     | 45       | 90     | X      | X      | X      | 45     | 45     |        |
| DW9072  | 12             | 30        | 30    | X      | 30     | 30     | X      | X      | X      | 30     | X      | X      | X      | 30     | 45    | 30     | 30     | 30     | 12     | 60     | 30       | 60     | X      | X      | X      | 30     | 30     |        |
| DW9048  | 9.6            | X         | X     | X      | X      | X      | X      | X      | X      | X      | X      | X      | X      | 40     | X     | X      | X      | X      | X      | X      | X        | X      | X      | X      | X      | X      | X      |        |
| DW9061  | 9.6            | 45        | 45    | X      | 45     | 45     | X      | X      | X      | 45     | X      | X      | X      | 45     | 60    | 45     | 45     | 45     | 15     | 90     | 45       | 90     | X      | X      | X      | 45     | 45     |        |
| DW9062  | 9.6            | 30        | 30    | X      | 30     | 30     | X      | X      | X      | 30     | X      | X      | X      | 30     | 45    | 30     | 30     | 30     | 12     | 60     | 30       | 60     | X      | X      | X      | 30     | 30     |        |
| DCB080  | 8              | X         | X     | X      | X      | X      | 60     | X      | X      | X      | X      | X      | X      | X      | X     | X      | X      | X      | X      | X      | X        | X      | X      | X      | X      | X      | X      |        |
| DW9057  | 7.2            | 30        | 30    | X      | 30     | 30     | X      | X      | X      | 30     | X      | X      | X      | 30     | 45    | 30     | 30     | 30     | 12     | 60     | 30       | 60     | X      | X      | X      | 30     | 30     |        |

\*X\* Indicates that the battery pack is not compatible with that specific charger.  
 \*X\* indique que le bloc-piles n'est pas compatible avec ce chargeur.  
 Una \*X\* indica que el paquete de baterías no es compatible con ese determinado cargador.  
 All charge times are approximate. Actual charge time may vary. Read the instruction manual for more specific information.  
 Les durées de charge sont approximatives; la durée de charge réelle peut varier. Lire le manuel d'utilisation pour obtenir des renseignements plus précis.  
 El tiempo de duración de carga es aproximado; la duración de carga real puede variar. Lea el manual de instrucciones para obtener información más precisa.

- \* Maximum initial battery voltage (measured without a workload) is 12 volts. Nominal voltage is 10.8.
- \* La tension initiale maximum du bloc-piles (mesurée à vide) est de 12 volts. La tension nominale est de 10,8.
- \* El máximo voltaje inicial de la batería (medido sin carga de trabajo) es 12 voltios. El voltaje nominal es de 10,8.

DEWALT Industrial Tool Co., 701 East Joppa Road, Baltimore, MD 21286  
 (NOV13) Part No. N376682 DCT414 Copyright © 2010, 2011, 2013 DEWALT

The following are trademarks for one or more DEWALT power tools: the yellow and black color scheme; the “D” shaped air intake grill; the array of pyramids on the handgrip; the kit box configuration; and the array of lozenge-shaped humps on the surface of the tool.