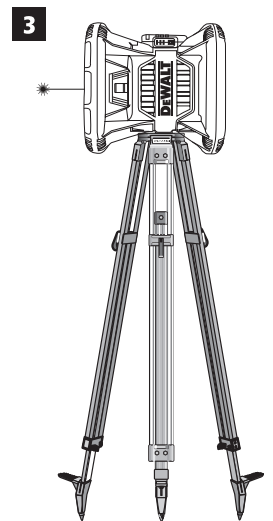
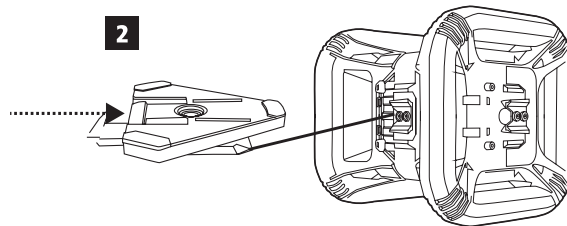
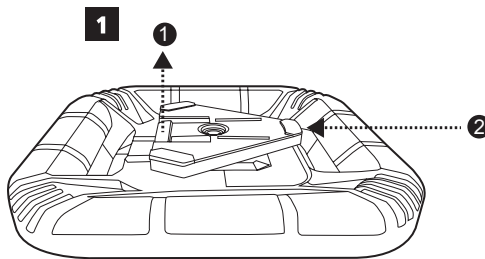
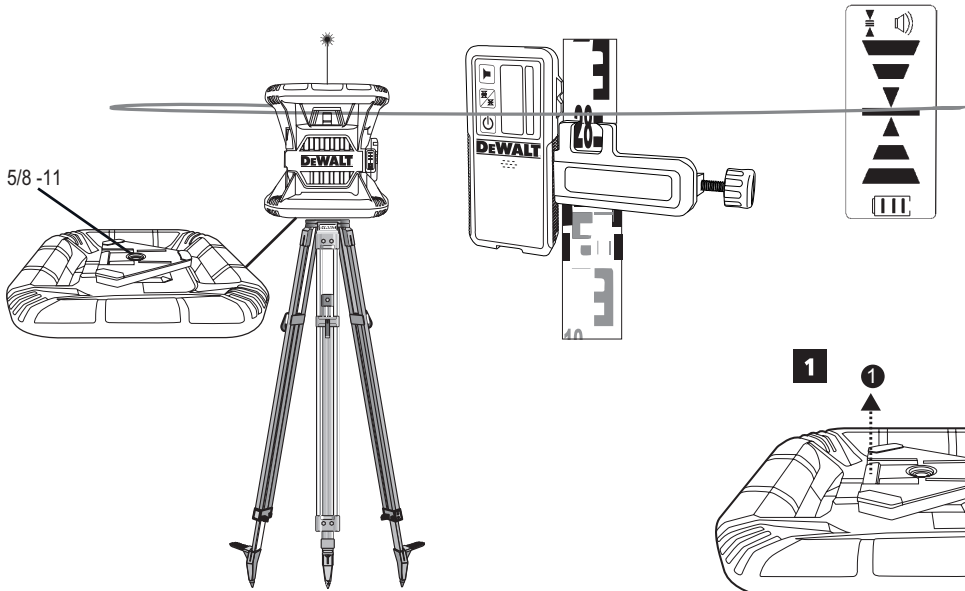
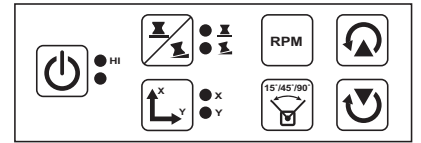
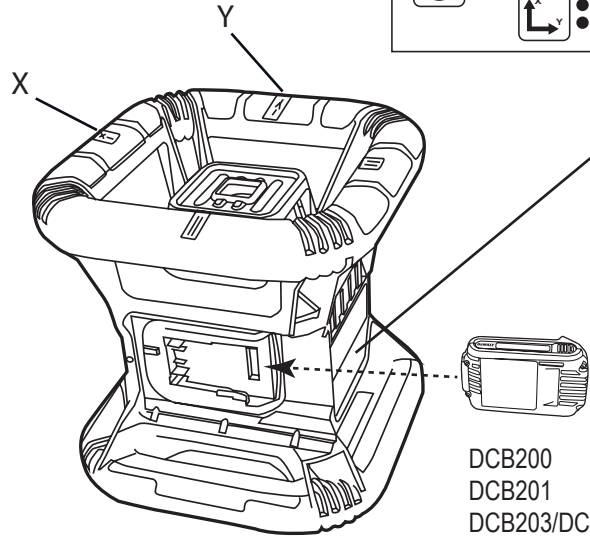
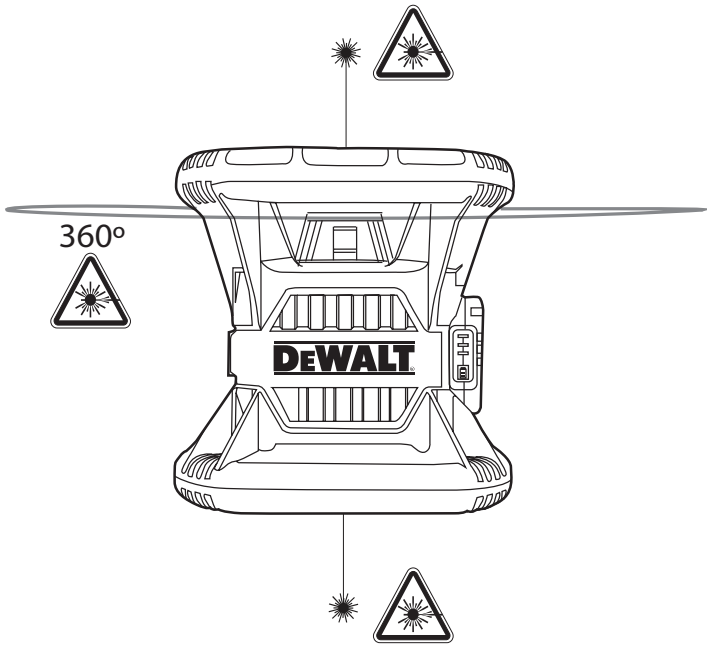


# DeWALT

## DW079LR/LG



	<b>CAUTION</b> <b>LASER</b> <b>3R</b>	
DW079LR ≤5.0mW @ 630-680nm	DW079LG ≤5.0mW @ 510-530nm	IEC 60825-1: 2014

Complies with 21 CFR 1040.10 and 1040.11 except for deviations pursuant to Laser Notice No. 50, dated June 24, 2007



<http://www.DeWALT.com>

V = 20V DC

© 2016 DeWALT Industrial Tool Co.  
701 East Joppa Road  
Towson, Maryland 21286  
November 2016  
P/N N495868

