

*If you have questions or comments, contact us.
Pour toute question ou tout commentaire, nous contacter.
Si tiene dudas o comentarios, contáctenos.*

1-800-4-DEWALT • www.dewalt.com

**INSTRUCTION MANUAL
GUIDE D'UTILISATION
MANUAL DE INSTRUCCIONES**

INSTRUCTIVO DE OPERACIÓN, CENTROS DE SERVICIO Y PÓLIZA DE GARANTÍA. **ADVERTENCIA:** LÉASE ESTE INSTRUCTIVO ANTES DE USAR EL PRODUCTO.

DEWALT®

**DW367, DW368, DW369
7-1/4" (184 mm) Circular Saws
Scies circulaires de 184 mm (7-1/2 po)
Sierras circular de 184 mm (7-1/4")**



Definitions: Safety Guidelines

The definitions below describe the level of severity for each signal word. Please read the manual and pay attention to these symbols.

▲DANGER: Indicates an imminently hazardous situation which, if not avoided, **will** result in **death or serious injury**.

▲WARNING: Indicates a potentially hazardous situation which, if not avoided, **could** result in **death or serious injury**.

▲CAUTION: Indicates a potentially hazardous situation which, if not avoided, **may** result in **minor or moderate injury**.

CAUTION: Used without the safety alert symbol indicates a potentially hazardous situation which, if not avoided, **may** result in **property damage**.

IF YOU HAVE ANY QUESTIONS OR COMMENTS ABOUT THIS OR ANY DEWALT TOOL, CALL US TOLL FREE AT: 1-800-4-DEWALT (1-800-433-9258).

GENERAL SAFETY INSTRUCTIONS



WARNING! Read and understand all instructions.

Failure to follow all instructions listed below may result in electric shock, fire and/or serious personal injury.

SAVE THESE INSTRUCTIONS

WORK AREA

- **Keep your work area clean and well lit.** Cluttered benches and dark areas invite accidents.

- **Do not operate power tools in explosive atmospheres, such as in the presence of flammable liquids, gases, or dust.** Power tools create sparks which may ignite the dust or fumes.
- **Keep bystanders, children, and visitors away while operating a power tool.** Distractions can cause you to lose control.

ELECTRICAL SAFETY

- **Grounded tools must be plugged into an outlet properly installed and grounded in accordance with all codes and ordinances. Never remove the grounding prong or modify the plug in any way. Do not use any adapter plugs. Check with a qualified electrician if you are in doubt as to whether the outlet is properly grounded.** If the tools should electrically malfunction or break down, grounding provides a low resistance path to carry electricity away from the user. **Applicable only to Class I (grounded) tools.**
- **Double insulated tools are equipped with a polarized plug (one blade is wider than the other.) This plug will fit in a polarized outlet only one way. If the plug does not fit fully in the outlet, reverse the plug. If it still does not fit, contact a qualified electrician to install a polarized outlet. Do not change the plug in any way.** Double insulation eliminates the need for the three wire grounded power cord and grounded power supply system. **Applicable only to Class II (double insulated) tools. The DW367, DW368 and DW369 are double insulated tools.**
- **Avoid body contact with grounded surfaces such as pipes, radiators, ranges and refrigerators.** There is an increased risk of electric shock if your body is grounded.
- **Don't expose power tools to rain or wet conditions.** Water entering a power tool will increase the risk of electric shock.
- **Do not abuse the cord. Never use the cord to carry the tools or pull the plug from an outlet. Keep cord away from**

heat, oil, sharp edges or moving parts. Replace damaged cords immediately. Damaged cords increase the risk of electric shock.

- **When operating a power tool outside, use an outdoor extension cord marked “W-A” or “W.”** These cords are rated for outdoor use and reduce the risk of electric shock. When using an extension cord, be sure to use one heavy enough to carry the current your product will draw. An undersized cord will cause a drop in line voltage resulting in loss of power and overheating. The following table shows the correct size to use depending on cord length and nameplate ampere rating. If in doubt, use the next heavier gauge. The smaller the gauge number, the heavier the cord.

Volts	Minimum Gauge for Cord Sets			
	Total Length of Cord in Feet			
120V	0-25	26-50	51-100	101-150
240V	0-50	51-100	101-200	201-300
Ampere Rating		AWG		
More Than	Not more Than			
12	- 16	14	12	Not Recommended

PERSONAL SAFETY

- **Stay alert, watch what you are doing and use common sense when operating a power tool. Do not use tool while tired or under the influence of drugs, alcohol, or medication.** A moment of inattention while operating power tools may result in serious personal injury.
- **Dress properly. Do not wear loose clothing or jewelry. Contain long hair. Keep your hair, clothing, and gloves away from moving parts.** Loose clothes, jewelry, or long hair can be caught in moving parts. Air vents often cover moving parts and should also be avoided.

- **Avoid accidental starting. Be sure switch is off before plugging in.** Carrying tools with your finger on the switch or plugging in tools that have the switch on invites accidents.
- **Remove adjusting keys or wrenches before turning the tool on.** A wrench or a key that is left attached to a rotating part of the tool may result in personal injury.
- **Do not overreach. Keep proper footing and balance at all times.** Proper footing and balance enables better control of the tool in unexpected situations.
- **Use safety equipment. Always wear eye protection.** Dust mask, non-skid safety shoes, hard hat, or hearing protection must be used for appropriate conditions.

TOOL USE AND CARE

- **Use clamps or other practical way to secure and support the workpiece to a stable platform.** Holding the work by hand or against your body is unstable and may lead to loss of control.
- **Do not force tool. Use the correct tool for your application.** The correct tool will do the job better and safer at the rate for which it is designed.
- **Do not use tool if switch does not turn it on or off.** Any tool that cannot be controlled with the switch is dangerous and must be repaired.
- **Disconnect the plug from the power source before making any adjustments, changing accessories, or storing the tool.** Such preventative safety measures reduce the risk of starting the tool accidentally.
- **Store idle tools out of reach of children and other untrained persons.** Tools are dangerous in the hands of untrained users.
- **Maintain tools with care. Keep cutting tools sharp and clean.** Properly maintained tools, with sharp cutting edges are less likely to bind and are easier to control.

- **Check for misalignment or binding of moving parts, breakage of parts, and any other condition that may affect the tools operation. If damaged, have the tool serviced before using.** Many accidents are caused by poorly maintained tools.
- **Use only accessories that are recommended by the manufacturer for your model.** Accessories that may be suitable for one tool, may become hazardous when used on another tool.

SERVICE

- **Tool service must be performed only by qualified repair personnel.** Service or maintenance performed by unqualified personnel could result in a risk of injury.
- **When servicing a tool, use only identical replacement parts. Follow instructions in the maintenance section of this manual.** Use of unauthorized parts or failure to follow maintenance instructions may create a risk of electric shock or injury.

Additional Safety Instructions for Circular Saws

▲ DANGER! Keep hands away from cutting area and blade. Keep your second hand on auxiliary handle, or motor housing. If both hands are holding the saw, they cannot be cut by the blade.

▲ WARNING: Blades coast after turn off.

- **Keep your body positioned to either side of the blade, but not in line with the saw blade.** KICKBACK could cause the saw to jump backwards (see Causes and Operator Prevention of Kickback and KICKBACK).
- **Do not reach underneath the work.** The guard can not protect you from the blade below the work.

- **Check lower guard for proper closing before each use. Do not operate saw if lower guard does not move freely and close instantly. Never clamp or tie the lower guard into the open position.** If saw is accidentally dropped, the lower guard may be bent. Raise the lower guard with the retracting handle and make sure it moves freely and does not touch the blade or any other part, at all angles and depth of cut.
- **Check the operation and condition of the lower guard spring. If the guard and the spring are not operating properly, they must be serviced before use.** Lower guard may operate sluggishly due to damaged parts, gummy deposits, or a buildup of debris.
- **Lower guard should be retracted manually only for special cuts such as “pocket cuts” and “compound cuts.” Raise lower guard by retracting handle. As soon as blade enters the material, lower guard must be released.** For all other sawing, the lower guard should be allowed to operate automatically.
- **Always observe that the lower guard is covering the blade before placing saw down on bench or floor.** An unprotected, coasting blade will cause the saw to walk backwards, cutting whatever is in its path. Be aware of the time it takes for the blade to stop after switch is released.
- **NEVER hold piece being cut in your hands or across your leg.** It is important to support the work properly to minimize body exposure, blade binding, or loss of control.
- **Hold tool by insulated gripping surfaces when performing an operation where the cutting tool may contact hidden wiring or its own cord.** Contact with a “live” wire will also make exposed metal parts of the tool “live” and shock the operator.
- **When ripping, always use a rip fence or straight edge guide.** This improves the accuracy of cut and reduces the chance for blade binding.

- **Always use blades with correct size and shape (diamond vs. round) arbor holes.** Blades that do not match the mounting hardware of the saw will run eccentrically, causing loss of control.
- **Never use damaged or incorrect blade washers or bolts.** The blade washers and bolt were specially designed for your saw, for optimum performance and safety of operation.
- **Avoid cutting nails.** Inspect for and remove all nails from lumber before cutting.
- **Do not operate this tool for long periods of time.** Vibration caused by the operating action of this tool may cause permanent injury to fingers, hands, and arms. Use gloves to provide extra cushion, take frequent rest periods, and limit daily time of use.

CAUSES AND OPERATOR PREVENTION OF KICKBACK

- Kickback is a sudden reaction to a pinched, bound or misaligned saw blade, causing an uncontrolled saw to lift up and out of the workpiece toward the operator.
- When the blade is pinched or bound tightly by the kerf closing down, the blade stalls and the motor reaction drives the unit rapidly back toward the operator.
- If the blade becomes twisted or misaligned in the cut, the teeth at the back edge of the blade can dig into the top surface of the wood causing the blade to climb out of the kerf and jump back toward operator.
- Kickback is the result of tool misuse and/or incorrect operating procedures or conditions and can be avoided by taking proper precautions as given below:
- **Maintain a firm grip with both hands on the saw and position your body and arm to allow you to resist kickback forces.** Kickback forces can be controlled by the operator, if proper precautions are taken.
- **When blade is binding, or when interrupting a cut for any reason, release the trigger and hold the saw motionless in the material until the blade comes to a complete stop. Never attempt to remove the saw from the work or pull the saw backward while the blade is in motion or kickback may occur.** Investigate and take corrective actions to eliminate the cause of blade binding.
- **When restarting a saw in the workpiece, center the saw blade in the kerf and check that the saw teeth are not engaged into the material.** If saw blade is binding, it may walk up or kickback from the workpiece as the saw is restarted.
- **Support large panels to minimize the risk of blade pinching and kickback.** Large panels tend to sag under their own weight. Support must be placed under the panel on both sides, near the line of cut and near the edge of the panel.
- **Do not use dull or damaged blade.** Unsharpened or improperly set blades produce narrow kerf causing excessive friction, blade binding, and kickback.
- **Blade depth and bevel adjusting locking levers must be tight and secure before making cut.** If blade adjustment shifts while cutting, it may cause binding and KICKBACK.
- **Use extra caution when making a “Pocket Cut” into existing walls or other blind areas.** The protruding blade may cut objects that can cause kickback.

⚠ **WARNING:** Some dust created by power sanding, sawing, grinding, drilling, and other construction activities contains chemicals known to cause cancer, birth defects or other reproductive harm. Some examples of these chemicals are:

- lead from lead-based paints,
- crystalline silica from bricks and cement and other masonry products, and
- arsenic and chromium from chemically-treated lumber (CCA).

Your risk from these exposures varies, depending on how often you do this type of work. To reduce your exposure to these chemicals: work in a well ventilated area, and work with approved safety equipment, such as those dust masks that are specially designed to filter out microscopic particles.

- **Avoid prolonged contact with dust from power sanding, sawing, grinding, drilling, and other construction activities. Wear protective clothing and wash exposed areas with soap and water.** Allowing dust to get into your mouth, eyes, or lay on the skin may promote absorption of harmful chemicals.

⚠ WARNING: Use of this tool can generate and/or disburse dust, which may cause serious and permanent respiratory or other injury. Always use NIOSH/OSHA approved respiratory protection appropriate for the dust exposure. Direct particles away from face and body.

⚠ WARNING: ALWAYS USE SAFETY GLASSES. Everyday eyeglasses are NOT safety glasses. Also use face or dust mask if cutting operation is dusty. ALWAYS WEAR CERTIFIED SAFETY EQUIPMENT:

- ANSI Z87.1 eye protection (CAN/CSA Z94.3),
- ANSI S12.6 (S3.19) hearing protection,
- NIOSH/OSHA respiratory protection.

⚠ WARNING: When cutting into walls, floors or wherever live electrical wires may be encountered, DO NOT TOUCH ANY METAL PARTS OF THE TOOL! Hold the tool only by insulated grasping surfaces to prevent electric shock if you cut into a live wire.

- The label on your tool may include the following symbols. The symbols and their definitions are as follows:

V.....volts	A..... amperes
Hz.....hertz	W..... watts
minminutes	~ alternating current

— — —direct current

ⓁClass I Construction (grounded)

ⓂClass II Construction (double insulated)

.../min ...per minute

RPM.....revolutions per minute

~ alternating or direct

..... current

n_0 no load speed

Ⓧ earthing terminal

⚠ safety alert symbol

BPM...beats per minute

FEATURES

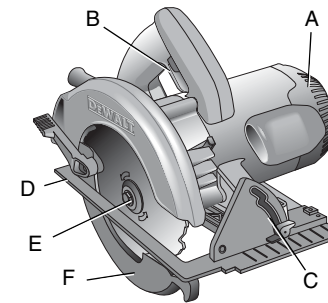
- A. End cap
- B. Trigger switch
- C. Bevel angle adjustment
- D. Shoe
- E. Blade clamping screw
- F. Lower blade guard

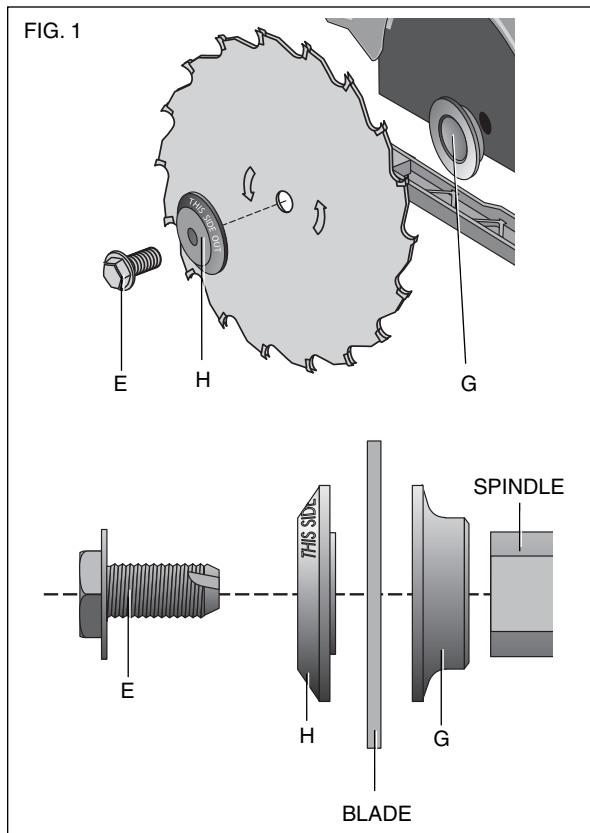
Motor

Your DEWALT tool is powered by a DEWALT motor. Be sure your power supply agrees with nameplate marking. 120 Volts AC/DC means your saw will operate on alternating or direct current. As little as 10% lower voltage can cause loss of power and can result in overheating. All DEWALT tools are factory-tested; if this tool does not operate, check the power supply.

Changing Blades

⚠ WARNING: To reduce the risk of serious personal injury, turn tool off and disconnect tool from power source before making any adjustments or removing/installing attachments or accessories.





TO INSTALL THE BLADE (FIG. 1–4)

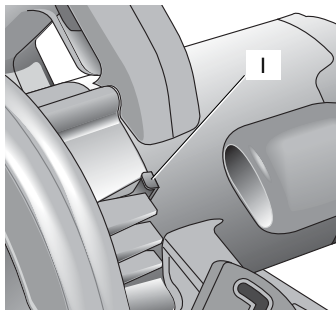
1. Place inner clamp washer (G) on saw spindle with the large flat surface facing out toward the blade.
2. Retract the lower blade guard (F) and place blade on saw spindle against the inner clamp washer, making sure that the blade will rotate in the proper direction (the direction of the rotation arrow on the saw blade and the teeth must point in the same direction as the direction of rotation arrow on the saw). Do not assume that the printing on the blade will always be facing you when properly installed. When retracting the lower blade guard to install the blade, check the condition and operation of the lower blade guard to assure that it is working properly. Make sure it moves freely and does not touch the blade or any other part, in all angles and depths of cut.
3. Place outer clamp washer (H) on saw spindle with the large flat surface against the blade and the wording on the outer clamp washer facing you.
4. Thread blade clamping screw (E) into saw spindle by hand (screw has right-hand threads and must be turned clockwise to tighten).
5. Depress the blade lock (I) while turning the saw spindle with the blade wrench until the blade lock engages and the blade stops rotating.
6. Tighten the blade clamping screw firmly with the blade wrench.

NOTE: Never engage the blade lock while saw is running, or engage in an effort to stop the tool. Never turn the saw on while the blade lock is engaged. Serious damage to your saw will result.

TO REPLACE THE BLADE

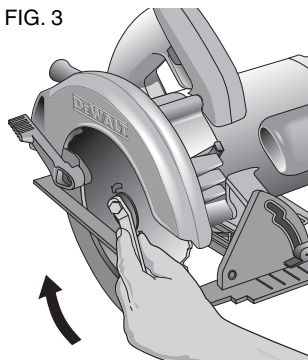
1. To loosen the blade clamping screw (E), depress the blade lock (I) and turn the saw spindle with the blade wrench until the blade lock engages and the blade stops rotating. With the blade lock engaged, turn the blade clamping screw counterclockwise with

FIG. 2



- the blade wrench (screw has right-hand threads and must be turned counterclockwise to loosen).
- Remove the blade clamping screw (E) and outer clamp washer (H) only. Remove old blade.
 - Clean any sawdust that may have accumulated in the guard or clamp washer area and check the condition and operation of the lower blade guard as previously outlined. Do not lubricate this area.
 - Select the proper blade for the application (see **Blades**). Always use blades that are the correct size (diameter) with the proper size and shape center hole for mounting on the saw spindle. Always assure that the maximum recommended speed (rpm) on the saw blade meets or exceeds the speed (rpm) of the saw.

FIG. 3

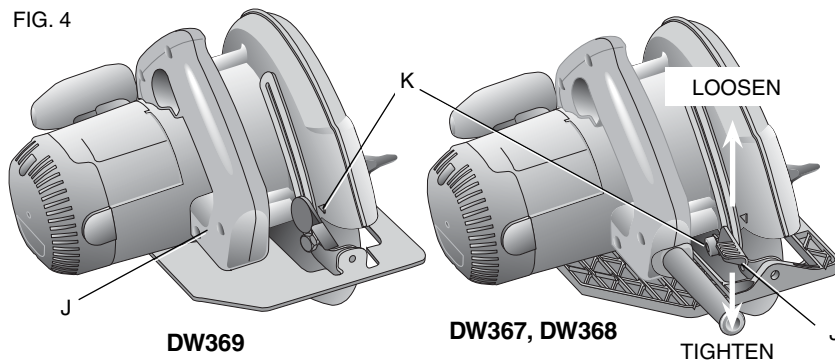


- Follow steps 2 through 6 under **To Install the Blade**, making sure that the blade will rotate in the proper direction.

LOWER BLADE GUARD

⚠ WARNING: *The lower blade guard is a safety feature which reduces the risk of serious personal injury. Never use the saw if the lower guard is missing, damaged, misassembled or not working properly. Do not rely on the lower blade guard to protect you under all circumstances. Your safety depends on following all warnings and precautions as well as proper operation of the saw. Check lower guard for proper closing before each use as outlined in Additional Safety Rules for Circular Saws. If the lower blade guard is missing or not working properly, have the saw serviced before using. To assure product safety and reliability, repair, maintenance and adjustment should be performed by an authorized service center or other qualified service organization, always using identical replacement parts.*

FIG. 4



Cutting Depth Adjustment (Fig. 5, 6)

⚠WARNING: To reduce the risk of serious personal injury, turn tool off and disconnect tool from power source before making any adjustments or removing/installing attachments or accessories.

1. Hold the saw firmly. Raise the depth adjustment lever (J) to loosen and move shoe to obtain the desired depth of cut, as shown. Make sure the depth adjustment lever has been retightened (lowered) before operating the saw.
2. Your saw is equipped with a carbide tipped saw blade for long life and efficient cutting.
3. Setting the saw at the proper cutting depth keeps blade friction to a minimum, removes sawdust from between the blade teeth, results in cooler, faster sawing and reduces the chance of kickback. Align the appropriate mark on the depth adjustment strap with triangle on the upper blade guard (K). Your depth is set.

FIG. 5

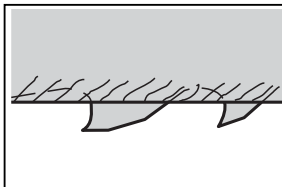
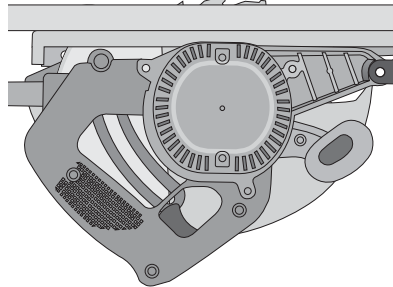


FIG. 6



4. For the most efficient cutting action using a carbide tipped saw blade, set the depth adjustment so that about one half of a tooth projects below the surface of the wood to be cut.

5. A method of checking for the correct cutting depth is shown in Figure 6. Lay a piece of the material you plan to cut along the side of the blade, as shown in the figure, and observe how much tooth projects beyond the material.

Bevel Angle Adjustment (Fig. 7, 8)

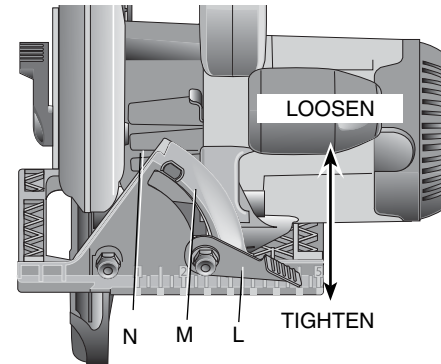
⚠WARNING: To reduce the risk of serious personal injury, turn tool off and disconnect tool from power source before making any adjustments or removing/installing attachments or accessories.

The full range of bevel adjustment on the DW367 is 0 to 50 degrees. The pivot bracket is graduated in 5 degree increments.

On the DW368 and DW369, the full range of bevel adjustment is 0 to 56 degrees. The pivot bracket is graduated in increments of 1 degree.

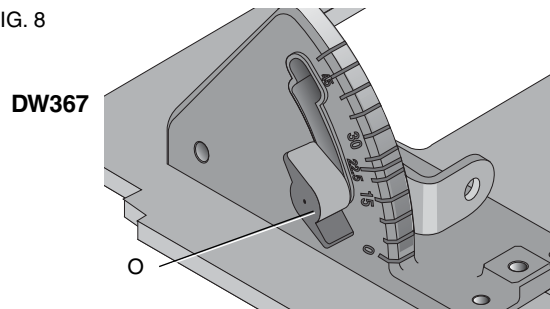
There is a bevel angle adjustment mechanism (M) consisting of a quadrant with a pointer (N) and a lever (L) on the front of the saw.

FIG. 7



1. To set the saw for a bevel cut, raise the lever (L) or turn the knob (O) to loosen the bevel adjustment.
2. Tilt the shoe to the desired angle by aligning the pointer with the desired angle mark on the pivot bracket.
3. Retighten the bevel adjustment by lowering the lever or turning the knob.

FIG. 8

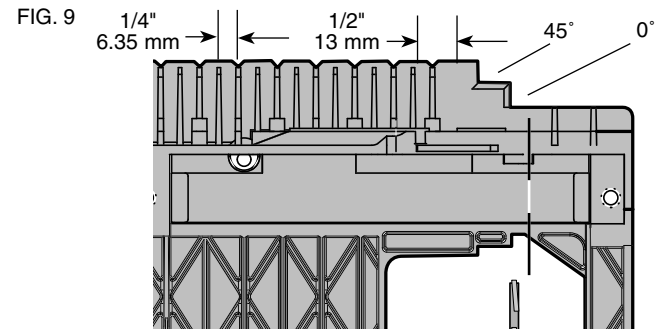


Bevel Detent (Fig. 7, 8)

⚠WARNING: To reduce the risk of serious personal injury, turn tool off and disconnect tool from power source before making any adjustments or removing/installing attachments or accessories.

The DW367 has a bevel stop at 45 degrees. To set the bevel at an angle greater than 45 degrees, tilt the shoe to 45 degrees, then slide the knob and bolt into the upper slot. When you reach the desired angle, tighten the knob.

The DW368 and DW369 are equipped with a bevel detent feature. As you tilt the shoe you will hear a click and feel the shoe stop at both 22.5 and 45 degrees. If either of these is the desired angle, retighten the lever (L) by lowering it. If you desire another angle, continue tilting the shoe until the pointer aligns with the desired mark.



Kerf Indicator (Fig. 9)

The front of the saw shoe has a kerf indicator for vertical and bevel cutting. This indicator enables you to guide the saw along cutting lines penciled on the material being cut. The indicator lines up with the left (inner) side of the saw blade, which makes the slot or "kerf" cut by the moving blade fall to the right of the indicator. The ribs on the front of the DW368 and DW369 shoe are at 1/4" (6.35 mm) spacing. The notches on the front of the shoe are at 1/2" (13 mm) intervals.

OPERATION

⚠WARNING: To reduce the risk of serious personal injury, turn tool off and disconnect tool from power source before making any adjustments or removing/installing attachments or accessories.

Switch (Fig. 1)

Pull the trigger switch (B) to turn the motor on. Releasing the trigger turns the motor off. This tool has no provision to lock the switch in the on position, and the tool should never be locked on in any way.

FIG. 10

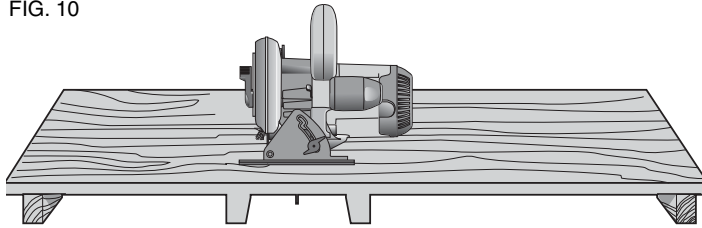


FIG. 11

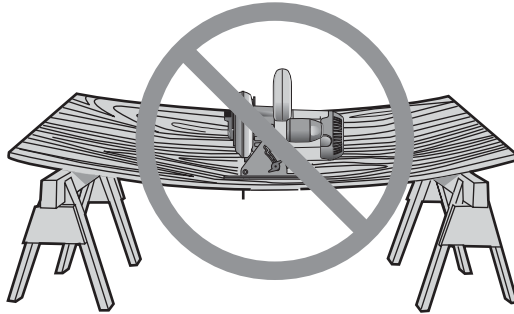


FIG. 12

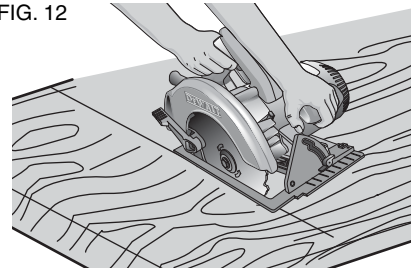
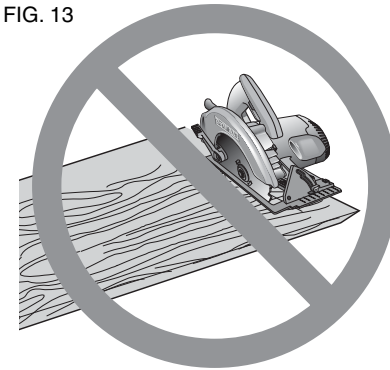


FIG. 13



Workpiece Support

Figures 10 and 12 show proper sawing position. Figures 11 and 13 show an unsafe condition. Hands should be kept away from cutting area, and power cord is positioned clear of the cutting area so that it will not get caught or hung up on the work.

To avoid kickback, DO support board or panel NEAR the cut, (Fig. 10 and 12). DON'T support board or panel away from the cut (Fig. 11 and 13). When operating the saw, keep the cord away from the cutting area and prevent it from becoming hung up on the work piece.

▲ WARNING: It is important to support the work properly and to hold the saw firmly to prevent loss of control which could cause personal injury; Figure 12 illustrates typical hand support of the saw.

ALWAYS DISCONNECT SAW BEFORE MAKING ANY ADJUSTMENTS! Place the work with its "good" side - the one on which appearance is most important - down. The saw cuts upward, so any splintering will be on the work face that is up when you saw it.

Cutting

Support the work so that the waste will be on your right. Place the wider portion of the saw shoe on that part of the work piece which is solidly supported, not on the section that will fall off when the cut is made. As examples, Figure 12 illustrates the RIGHT way to cut off the end of a board, and Figure 13 the WRONG way. Always clamp work. Don't try to hold short pieces by hand! Remember to support cantilevered and overhanging material. Use caution when sawing material from below.

Be sure that the saw is up to full speed before blade contacts material to be cut. Starting the saw with blade against material to be cut or pushed forward into kerf can result in kickback.

Push the saw forward at a speed which allows the blade to cut without laboring. Hardness and toughness can vary even in the same piece of material, and knotty or damp sections can put a heavy load on the saw. When this happens, push the saw more slowly, but hard enough to keep it working without much decrease in speed.

Kickback

When the saw blade becomes pinched or twisted in the cut, kickback can occur. The saw is thrust rapidly back toward the operator. When the blade is pinched or bound tightly by the kerf closing down, the blade stalls and the motor reaction drives the unit backward. When the blade becomes twisted or misaligned in the cut, the teeth at the back edge of the blade can dig into the top surface of the wood causing the blade to climb out of the kerf and jump back toward the operator.

Kickback is more likely to occur when any of the following conditions exist.

1. IMPROPER WORKPIECE SUPPORT

- A. Sagging or improper lifting of the cut off piece can cause pinching of the blade and lead to kickback (Fig. 11).

- B. Cutting through material supported at the outer ends only can cause kickback. As the material weakens it sags, closing down the kerf and pinching the blade.
- C. Cutting off a cantilevered or overhanging piece of material from the bottom up in a vertical direction can cause kickback. The falling cut off piece can pinch the blade.
- D. Cutting off long narrow strips (as in ripping) can cause kickback. The cut off strip can sag or twist closing the kerf and pinching the blade.
- E. Snagging the lower guard on a surface below the material being cut momentarily reduces operator control. The saw can lift partially out of the cut increasing the chance of blade twist.

2. IMPROPER DEPTH OF CUT SETTING ON SAW

To make the most efficient cut, the blade should protrude only far enough to expose 1/2 of a tooth as shown in figure 5. This allows the shoe to support the blade and minimizes twisting and pinching in the material. See the section titled **Cutting Depth Adjustment**.

3. BLADE TWISTING (MISALIGNMENT IN CUT)

- A. Pushing harder to cut through a knot, a nail, or a hard grain area can cause the blade to twist.
- B. Trying to turn the saw in the cut (trying to get back on the marked line) can cause blade twist.
- C. Over-reaching or operating the saw with poor body control (out of balance), can result in twisting the blade.
- D. Changing hand grip or body position while cutting can result in blade twist.
- E. Backing up the saw to clear blade can lead to twist if it is not done carefully.

4. MATERIALS THAT REQUIRE EXTRA ATTENTION

- A. Wet lumber

- B. Green lumber (material freshly cut or not kiln dried)
- C. Pressure treated lumber (material treated with preservatives or anti-rot chemicals)

5. USE OF DULL OR DIRTY BLADES

Dull blades cause increased loading of the saw. To compensate, an operator will usually push harder which further loads the unit and promotes twisting of the blade in the kerf. Worn blades may also have insufficient body clearance which increases the chance of binding and increased loading.

6. LIFTING THE SAW WHEN MAKING BEVEL CUTS

Bevel cuts require special operator attention to proper cutting techniques – especially guidance of the saw. Both blade angle to the shoe and greater blade surface in the material increase the chance for binding and misalignment (twist) to occur.

7. RESTARTING A CUT WITH THE BLADE TEETH JAMMED AGAINST THE MATERIAL

The saw should be brought up to full operating speed before starting a cut or restarting a cut after the unit has been stopped with the blade in the kerf. Failure to do so can cause stalling and kickback.

Any other conditions which could result in pinching, binding, twisting, or misalignment of the blade could cause kickback. Refer to Additional Safety Instructions and Operation for procedures and techniques that will minimize the occurrence of kickback.

MAINTENANCE

⚠WARNING: *To reduce the risk of serious personal injury, turn tool off and disconnect tool from power source before making any adjustments or removing/installing attachments or accessories.*

Cleaning

⚠WARNING: *Blow dirt and dust out of all air vents with clean, dry air at least once a week. To minimize the risk of eye injury, always wear ANSI Z87.1 approved eye protection when performing this.*

⚠WARNING: *Never use solvents or other harsh chemicals for cleaning the non-metallic parts of the tool. These chemicals may weaken the plastic materials used in these parts. Use a cloth dampened only with water and mild soap. Never let any liquid get inside the tool; never immerse any part of the tool into a liquid.*

Lubrication

Self lubricating ball and roller bearings are used in the tool and relubrication is not required. However, it is recommended that, once a year, you take or send the tool to a service center for a thorough cleaning, inspection and lubrication of the gear case.

Electric Brake (DW369 Only)

Your saw has an automatic electric brake which is designed to stop the blade from coasting in about two seconds, after you release the trigger switch. It is useful when making certain cuts in wood where a coasting blade would result in a wide, imprecise cut.

Occasionally, the brake will not function properly and won't stop the saw in the 2 seconds discussed above. If this condition persists, turn the saw on and off four or five times. If the brake still does not stop the blade in about 2 seconds, the problem may be worn brushes. Replace the brushes as described below and try the saw again. If the problem still persists, have the tool serviced at a DEWALT certified service center.

Repairs

To assure product SAFETY and RELIABILITY, repairs, maintenance and adjustment should be performed by a DEWALT factory service center, a DEWALT authorized service center or other qualified

service personnel. Always use identical replacement parts. (Refer to **Brushes** for brush replacement information.)

Brushes

⚠WARNING: To reduce the risk of serious personal injury, turn tool off and disconnect tool from power source before making any adjustments or removing/installing attachments or accessories.

Inspect carbon brushes regularly by unplugging tool, removing the end cap and withdrawing the brush assembly. Keep brushes clean and sliding freely in their guides. Always replace a used brush in the same orientation in the holder as it was prior to removal. Carbon brushes have varying symbols stamped into their sides, and if either brush is worn down to the line closest to the spring, the brushes must be replaced. Use only identical DEWALT brushes. New brush assemblies are available at your local service center. Always replace the end cap after inspecting or servicing brushes. The tool should be allowed to “run in” (run at no load without a blade) for 5 minutes before use to seat new brushes.

While “running in” DO NOT TIE, TAPE, OR OTHERWISE LOCK THE TRIGGER SWITCH ON. HOLD BY HAND ONLY.

Shoe Adjustment

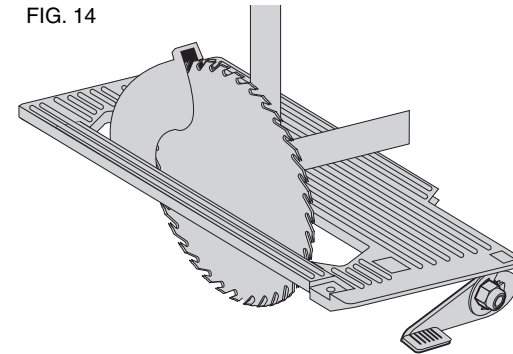
⚠WARNING: To reduce the risk of serious personal injury, turn tool off and disconnect tool from power source before making any adjustments or removing/installing attachments or accessories.

Your shoe has been factory set to assure that the blade is perpendicular to the shoe. If after extended use, you need to re-align the blade follow the directions below:

ADJUSTING FOR 90 DEGREE CUTS

1. Return the saw to 0 degrees bevel.
2. Place the saw on its side, and retract the lower guard.

FIG. 14



3. Loosen the bevel adjustment lever (L). Place a square against the blade and the shoe as shown in Figure 14.
4. Using a hex wrench, turn the set screw on the underside of the shoe until the blade and the shoe are both in flush contact with the square. Retighten the bevel adjustment lever.

ADJUSTING BEVEL ADJUSTMENT AND DEPTH ADJUSTMENT LEVERS

It may be desirable to adjust the depth adjustment lever or the bevel adjustment lever. They may loosen in time and hit the shoe before tightening. To tighten the levers, follow the steps below.

ADJUSTING THE BEVEL ADJUSTMENT LEVER (DW368, DW369)

NOTE: The following instructions also apply to adjusting the DW367 and DW368 depth adjustment lever.

1. Using a small screwdriver, pry the lock ring off.
2. Remove the lever and rotate it in the desired direction about 1/8 of a revolution.
3. Reinstall the lock ring with the concave side against the lever.

ADJUSTING DEPTH ADJUSTMENT LEVER (DW369 ONLY)

1. Loosen the screw securing the depth adjustment lever.
2. Remove the depth adjustment lever and rotate it to the desired location, about 1/8 of a revolution.
3. Tighten the lever screw.

Blades

A dull blade will cause inefficient cutting, overload on the saw motor, excessive splintering and increase the possibility of kickback. Change blades when it is no longer easy to push the saw through the cut, when the motor is straining, or when excessive heat is built up in the blade. It is a good practice to keep extra blades on hand so that sharp blades are available for immediate use. Dull blades can be sharpened in most areas; see SAWS-SHARPENING in the yellow pages.

Hardened gum on the blade can be removed with kerosene, turpentine, or oven cleaner. Anti-stick coated blades can be used in applications where excessive build-up is encountered, such as pressure treated and green lumber.

ACCESSORIES

⚠ WARNING: *Since accessories, other than those offered by DEWALT, have not been tested with this product, use of such accessories with this tool could be hazardous. To reduce the risk of injury, only DEWALT, recommended accessories should be used with this product.*

Recommended accessories for use with your tool are available at extra cost from your local dealer or authorized service center. If you need assistance in locating any accessory for your tool, please contact DEWALT Industrial Tool Co., 701 East Joppa Road, Baltimore, MD 21286, call 1-800-4-DEWALT (1-800-433-9258) or visit our website www.dewalt.com.

DO NOT USE WATER FEED ATTACHMENTS WITH THIS SAW. VISUALLY EXAMINE CARBIDE BLADES BEFORE USE. REPLACE IF DAMAGED.

RECOMMENDED BLADE TYPES

COMBINATION FRAMING - 5/8" Round arbor, 24 teeth	All purpose fast rip and cross cuts.
PRESSURE TREATED/WET LUMBER - 5/8" Round arbor, 20 teeth	Coated - Resistant to gum build-up
EXTREME DURABILITY - 5/8" Round arbor, 18 teeth	Coated, rock carbide
FINISHING -	5/8" Round arbor, 36 teeth More teeth for finer finish cuts.
FAST CUT FRAMING -	5/8" Round arbor, 16 teeth Fastest blade for rips and cross cuts

Three Year Limited Warranty

DEWALT will repair, without charge, any defects due to faulty materials or workmanship for three years from the date of purchase. This warranty does not cover part failure due to normal wear or tool abuse. For further detail of warranty coverage and warranty repair information, visit www.dewalt.com or call 1-800-4-DEWALT (1-800-433-9258). This warranty does not apply to accessories or damage caused where repairs have been made or attempted by others. This warranty gives you specific legal rights and you may have other rights which vary in certain states or provinces.

In addition to the warranty, DEWALT tools are covered by our:

1 YEAR FREE SERVICE

DEWALT will maintain the tool and replace worn parts caused by normal use, for free, any time during the first year after purchase.

90 DAY MONEY BACK GUARANTEE

If you are not completely satisfied with the performance of your DEWALT Power Tool, Laser, or Nailer for any reason, you can return it within 90 days from the date of purchase with a receipt for a full refund – no questions asked.

LATIN AMERICA: This warranty does not apply to products sold in Latin America. For products sold in Latin America, see country specific warranty information contained either in the packaging, call the local company or see website for warranty information.

FREE WARNING LABEL REPLACEMENT: If your warning labels become illegible or are missing, call 1-800-4-DEWALT (1-800-433-9258) for a free replacement.

<p>DWXXX 7-1/4" (184mm) CIRCULAR SAW</p> <p>SER. [REDACTED]</p>	
<p>⚠ DANGER KEEP HANDS AND BODY AWAY FROM AND TO THE SIDE OF THE BLADE. CONTACT WITH BLADE WILL RESULT IN SERIOUS INJURY.</p>	
<p>⚠ WARNING AVERTISSEMENT TO REDUCE THE RISK OF INJURY, USER MUST READ AND UNDERSTAND INSTRUCTION MANUAL. CHECK LOWER GUARD. IT MUST CLOSE INSTANTLY. HOLD SAW WITH BOTH HANDS. SUPPORT AND CLAMP WORK. WEAR EYE PROTECTION. USE PROPER RESPIRATORY PROTECTION. A TITRE PREVENTIF, LIRE LE GUIDE D'UTILISATION.</p>	
<p><small>PATENT PENDING DEWALT INDUSTRIAL TOOL CO., BALTIMORE, MD 21286 USA FOR SERVICE INFORMATION, CALL: 1-800-4-DEWALT www.DEWALT.com</small></p>	

⚠ PELIGRO: MANTENGA LAS MANOS Y EL CUERPO ALEJADOS Y HACIA EL COSTADO DEL DISCO. CUALQUIER CONTACTO CON EL DISCO PUEDE RESULTAR EN LESIONES SERIAS.
⚠ ADVERTENCIA: PARA DISMINUIR EL RIESGO DE LESIONES, EL USUARIO DEBERA LEER Y COMPRENDER EL MANUAL DE INSTRUCCIONES. INSPECCIONE LA GUARDA INFERIOR. LA GUARDA DEBE DE CERRAR INSTANTANEAMENTE. UTILICE DISCOS DE 184 mm (7 1/4 pulg) SOLAMENTE. UTILICE SOLAMENTE PIEZAS DE REPUESTO IDENTICAS. SIEMPRE SE DEBERA LEVAR LA PROTECCION APROPIADA PARA LA VISTA Y PARA LAS VIAS RESPIRATORIAS.

⚠ DANGER: ÉLOIGNER LES MAINS ET E CORPS DU DEVANT DE LA LAME ET LES LAISSER SUR LE CÔTÉ DE CELLE-CI. LE CONTACT AVEC LA LAME CAUSE DE GRAVES BLESSURES.
⚠ AVERTISSEMENT: AFIN DE MINIMISER LES RISQUES DE BLESSURES, L'UTILISATEUR DOIT LIRE ET COMPRENDRE LE GUIDE D'UTILISATION. VÉRIFIER LE PROTECTEUR INFÉRIEUR. CE DERNIER DOIT SE REFERMER INSTANTANÉMENT. TENIR LA SCIE DES DEUX MAINS. SOUTENIR ET FIXER LA PIÈCE À OUVRIR. UTILISER SEULEMENT DES LAMES DE 7 1/4 po. UTILISER SEULEMENT DES PIÈCES DE RECHANGE IDENTIQUES. IL FAUT TOUJOURS PORTER DE L'ÉQUIPEMENT DE PROTECTION OCULAIRE ET RESPIRATOIRE APPROPRIÉ.

Définitions : lignes directrices en matière de sécurité

Les définitions ci-dessous décrivent le niveau de danger pour chaque mot-indicateur employé. Lire le mode d'emploi et porter une attention particulière à ces symboles.

▲▲DANGER : indique une situation dangereuse imminente qui, si elle n'est pas évitée, **entraînera la mort ou des blessures graves**

▲▲AVERTISSEMENT : indique une situation potentiellement dangereuse qui, si elle n'est pas évitée, **pourrait entraîner la mort ou des blessures graves**

▲▲ATTENTION : indique une situation potentiellement dangereuse qui, si elle n'est pas évitée, **pourrait entraîner des blessures légères ou modérées**.

ATTENTION : utilisé sans le symbole d'alerte de sécurité, indique une situation potentiellement dangereuse qui, si elle n'est pas évitée, **pourrait entraîner des dommages matériels**.

POUR TOUTE QUESTION OU REMARQUE AU SUJET DE CET OUTIL OU DE TOUT AUTRE OUTIL DEWALT, COMPOSEZ LE NUMÉRO SANS FRAIS : 1-800-4-DEWALT (1-800-433-9258).

Règles de sécurité – Généralités

▲ AVERTISSEMENT! Lire et comprendre toutes les directives, car le non-respect des directives suivantes peut entraîner un choc électrique, un incendie ou des blessures graves.

CONSERVER CES DIRECTIVES

ZONE DE TRAVAIL

- **Garder la zone de travail propre et bien éclairée;** les établis encombrés et les endroits sombres sont propices aux accidents.
- **Ne pas utiliser les outils électriques dans une atmosphère explosive, comme à proximité de liquides, de gaz ou de poussières inflammables;** le moteur peut créer des étincelles et enflammer les vapeurs ou les poussières environnantes.
- **Tenir les enfants, les visiteurs ou toute autre personne éloignés lorsqu'on utilise un outil électrique;** les distractions peuvent faire perdre la maîtrise de ce dernier.

MESURES DE SÉCURITÉ - ÉLECTRICITÉ

- **Les outils mis à la terre doivent être branchés dans une prise bien installée et mise à la terre conformément à tous les codes et règlements en vigueur. Ne jamais retirer la broche de terre ni modifier la fiche. Ne pas utiliser d'adaptateur. Vérifier auprès d'un électricien qualifié en cas de doute quant à la mise à la terre de la prise. En cas de défaillance électrique ou de bris de l'outil, la mise à la terre procure un chemin de faible résistance au courant qui autrement traverserait l'utilisateur. Cette protection ne s'applique qu'aux outils de classe I (mis à la terre).**
- **Les outils à double isolation sont munis d'une fiche polarisée (c'est-à-dire que l'une des lames est plus large que l'autre), laquelle ne peut être raccordée qu'à une prise polarisée et ce, dans un seul sens; on doit l'inverser si on est incapable de l'enfoncer complètement. Si la fiche ne s'adapte toujours pas, on doit demander à un électricien qualifié d'installer la prise appropriée. On ne doit jamais modifier la fiche. La double isolation élimine le besoin d'installer un cordon d'alimentation trifilaire et un système d'alimentation électrique pourvus d'une mise à la terre; seuls les outils de classe II (à double isolation) sont munis d'une telle protection. Les modèles DW367, DW368 et DW369 sont des outils à double isolation.**

- **Éviter tout contact entre le corps et les éléments mis à la terre, comme les tuyaux, les radiateurs, les cuisinières et les réfrigérateurs**, afin de réduire les risques de choc électrique.
- **Ne pas utiliser l'outil électrique dans des endroits mouillés, ni l'exposer à la pluie**; l'infiltration d'eau à l'intérieur de l'outil augmente les risques de choc électrique.
- **Ne pas utiliser le cordon de manière abusive; on ne doit pas transporter l'outil en le tenant par le cordon, ou utiliser ce dernier pour le débrancher**. On doit tenir le cordon éloigné des sources de chaleur, de l'huile, des bords tranchants ou des pièces mobiles. Remplacer immédiatement les cordons endommagés, car ces derniers augmentent les risques de choc électrique.
- **Lorsqu'on utilise un outil électrique à l'extérieur, on ne doit utiliser que des rallonges conçues pour cet usage, comme celles de type « W-A » ou « W »**, afin de réduire les risques de choc électrique. S'assurer que la rallonge est en mesure de porter le courant nécessaire à l'outil. Une rallonge de calibre inférieur entraînera une chute de tension se traduisant par une perte de puissance et une surchauffe. Le tableau ci-dessous illustre les calibres que l'on doit utiliser selon la longueur de la rallonge et l'intensité nominale indiquée sur la plaque signalétique. En cas de doute, utiliser le calibre suivant. Plus le calibre est petit, plus la rallonge peut porter du courant.

Calibre Minimal Des Cordons De Rallonge

Tension	Longueur totale du cordon en meters				
120 V	De 0 à 7	De 7 à 15	De 15 à 30	De 30 à 45	
240 V	De 0 à 7	De 7 à 15	De 15 à 39	De 30 à 45	
Intensité (A)					
	Au moins	Au plus	Calibre moyen de fil		
12	-	16	14	12	Non recommandé

SÉCURITÉ PERSONNELLE

- **Rester vigilant en tout temps et faire preuve de jugement lorsqu'on utilise un outil électrique; ne pas utiliser l'outil lorsqu'on est fatigué ou sous l'influence de drogues, d'alcool ou de médicaments**, car un moment d'inattention peut entraîner des blessures graves.
- **Porter des vêtements appropriés; ne pas porter de vêtements amples, de gants ni de bijoux, et couvrir ou attacher les cheveux longs, car ceux-ci peuvent rester coincés dans les pièces mobiles**. Se tenir éloigné des événements puisque ces derniers pourraient camoufler des pièces mobiles.
- **Éviter les démarrages accidentels; s'assurer que l'interrupteur soit en position d'arrêt avant de brancher l'outil**. Ne pas transporter l'outil en laissant le doigt sur l'interrupteur ni le brancher lorsque l'interrupteur est en position de marche, car cela pourrait causer un accident.
- **Retirer les clés de réglage avant de démarrer l'outil**; une clé laissée sur une pièce rotative peut entraîner des blessures.
- **Ne pas trop étendre les bras; les pieds doivent rester ancrés fermement au sol afin de maintenir son équilibre en tout temps** et de mieux maîtriser l'outil dans des situations imprévues.
- **Utiliser le matériel de sécurité approprié; toujours porter des lunettes de protection**. Porter un masque anti-poussières, des chaussures antidérapantes, un casque de sécurité ou des protecteurs auditifs lorsque la situation le requiert.

UTILISATION ET ENTRETIEN DE L'OUTIL

- **Fixer et soutenir la pièce sur une plate-forme stable au moyen d'une butée fixe ou de tout autre dispositif semblable**; la pièce est instable lorsqu'on la retient manuellement ou qu'on l'appuie contre le corps, ce qui peut faire perdre la maîtrise de l'outil.

- **Ne pas forcer l'outil ni l'utiliser pour des travaux autres que ceux pour lesquels il a été conçu.** Pour obtenir de meilleurs résultats et prévenir les risques de blessure, laisser l'outil couper à la vitesse pour laquelle il a été conçu.
- **Ne pas utiliser l'outil lorsque l'interrupteur marche-arrêt ne fonctionne pas;** tout outil qui ne peut être commandé au moyen de l'interrupteur est dangereux et doit être réparé.
- **Débrancher l'outil avant d'effectuer un réglage, de changer les accessoires ou de ranger l'outil;** ces mesures de sécurité préventives réduisent les risques de démarrage accidentel.
- **Lorsqu'on n'utilise pas l'outil, le ranger hors de la portée des enfants ou des personnes non qualifiées;** les outils sont dangereux entre les mains de personnes inexpérimentées.
- **Bien entretenir l'outil et s'assurer qu'il soit toujours bien propre et aiguisé;** les outils bien entretenus et dont les bords sont bien tranchants sont moins susceptibles de rester coincés et sont plus faciles à maîtriser.
- **Vérifier les pièces mobiles afin de s'assurer qu'elles soient bien alignées et qu'elles ne restent pas coincées;** vérifier également les pièces afin de s'assurer qu'il n'y ait ni bris ni aucune autre condition susceptible de nuire au bon fonctionnement de l'outil; faire réparer l'outil si ce dernier est endommagé avant de s'en servir à nouveau, car les accidents sont souvent causés par des outils mal entretenus.
- **N'utiliser que les accessoires recommandés par le fabricant pour le modèle en question;** un accessoire destiné à un outil particulier peut devenir dangereux lorsqu'il est utilisé avec un autre.

ENTRETIEN

- **L'outil doit être entretenu par le personnel qualifié seulement;** toute maintenance effectuée par une personne non qualifiée peut entraîner des risques de blessure.
- **Lors de l'entretien, n'utiliser que des pièces de rechange identiques et suivre les directives de la section « Entretien » du présent manuel** afin de prévenir les risques de choc électrique ou de blessure.

Règles de sécurité additionnelles concernant les scies circulaires

⚠ **DANGER!** Garder les mains éloignées des zones de coupe et de la lame. Toujours tenir l'outil en plaçant une main sur la poignée auxiliaire ou le carter du moteur; on protège ses mains en les utilisant toutes les deux pour tenir l'outil.

⚠ **AVERTISSEMENT :** les lames ne s'arrêtent pas immédiatement lorsque l'interrupteur est mis en position d'arrêt.

- **Toujours se placer d'un côté ou de l'autre de la lame en évitant de se tenir dans son trajet,** car la scie pourrait reculer brusquement par suite d'un REBOND. (Voir les sections « Causes du rebond et mesures préventives » et « Effet de rebond »).
- **Ne pas mettre les mains sous la pièce** car il n'y a aucune protection contre la lame à cet endroit.
- **Vérifier le protège-lame inférieur afin de s'assurer qu'il soit bien fermé avant d'utiliser l'outil; ne pas faire fonctionner ce dernier si le protège-lame ne se déplace pas librement ou s'il ne se ferme pas instantanément. Ne jamais le bloquer en position ouverte.** Si on laisse tomber la scie, soulever le protège-lame inférieur au moyen du levier d'escamotage et le vérifier afin de s'assurer qu'il n'y ait aucun dommage, qu'il se déplace librement et qu'il n'entre pas en contact avec la lame ou toute autre pièce de l'outil, quels que soient l'angle et la profondeur de coupe.
- **S'assurer que le ressort du protège-lame inférieur soit en bon état de fonctionnement; sinon, on doit lui faire subir un entretien avant d'utiliser l'outil.** Le protège-lame peut être

- difficile à déplacer en présence de pièces endommagées, de dépôts gommeux ou de débris accumulés.
- **On ne doit escamoter manuellement le protège-lame inférieur que pour réaliser une coupe spéciale, complexe ou à partir de l'intérieur d'un matériau. Pour ce faire, on doit le soulever au moyen du levier d'escamotage, relâchant ce dernier dès que la lame mord dans la pièce.** Le protège-lame s'escamote automatiquement pour tous les autres types de coupe.
 - **Toujours s'assurer que le protège-lame inférieur recouvre la lame avant de déposer la scie sur le plancher ou sur un établi, car, sans protection, une lame qui tourne encore fait reculer la scie, coupant tout ce qui se trouve sur son passage.** Il est en outre bon de savoir combien de temps la lame prend pour s'arrêter une fois l'interrupteur relâché.
 - **Ne JAMAIS tenir la pièce dans ses mains ou la placer sur ses jambes pour la couper.** Il est important de soutenir la pièce correctement afin d'éviter d'exposer des parties du corps à la lame, de coincer cette dernière ou encore, de perdre la maîtrise de l'outil.
 - **Tenir l'outil par les surfaces isolées prévues à cette fin lorsqu'il risque d'entrer en contact avec des fils cachés ou son propre cordon, car de tels contacts peuvent mettre les pièces métalliques de l'outil sous tension, engendrant des risques de choc électrique.**
 - **Toujours utiliser un guide de refend ou de bord droit lorsqu'on effectue une coupe en long** afin d'assurer la précision de cette dernière et d'éviter de coincer la lame.
 - **Toujours utiliser une lame munie d'un arbre dont les orifices sont de dimension et de forme appropriées (ronds ou en losanges);** les lames qui ne correspondent pas aux éléments de fixation de la scie tourneront de manière excentrique, faisant perdre la maîtrise de l'outil.
 - **Ne jamais utiliser de rondelles ou de boulons endommagés ou autres que ceux qui ont été conçus pour la scie,** afin d'obtenir un rendement optimal et de travailler en toute sécurité.
 - **Éviter de couper des clous;** s'assurer que le bois de sciage soit exempt de clous avant de procéder à la coupe.
 - **Ne pas faire fonctionner cet outil durant de longues périodes.** Les vibrations causées par le fonctionnement de l'outil peuvent provoquer des blessures permanentes aux doigts, aux mains et aux bras. Utiliser des gants afin d'amortir davantage les vibrations, s'arrêter fréquemment et limiter l'utilisation quotidienne de l'outil.

CAUSES DU REBOND ET MESURES PRÉVENTIVES

- Le rebond est une réaction soudaine de l'outil causée par une lame pincée, bloquée ou mal alignée, occasionnant la perte de maîtrise de la scie, qui se soulève et se détache de la pièce en direction de l'opérateur.
- Lorsque la lame reste coincée ou est immobilisée par une entaille qui se referme, l'arrêt de la lame et la réaction du moteur entraîne un recul brusque de l'outil vers l'opérateur.
- Si la lame se tord ou est mal alignée, les dents arrière peuvent s'engager sur le dessus de la pièce, faisant grimper la lame hors de l'entaille et rebondir l'outil en direction de l'opérateur.
- Le rebond découle d'une mauvaise utilisation ou du mauvais fonctionnement de l'outil; on peut l'éviter en prenant les précautions suivantes.
- **Tenir fermement l'outil des deux mains et placer le corps et les bras de manière à pouvoir maîtriser les effets du rebond;** le rebond peut être maîtrisé si l'opérateur prend les précautions nécessaires.
- **Lorsque la lame se coince ou qu'on veut interrompre une coupe pour quelque raison que ce soit, relâcher l'interrupteur à gâchette et maintenir la scie immobile dans la pièce,**

jusqu'à ce que la lame s'arrête complètement. Ne jamais tenter de sortir la scie hors de l'entaille ou de la tirer vers soi avant que la lame ne se soit immobilisée complètement afin d'éviter le rebond. Vérifier la pièce afin de déterminer la cause du coincement et de prendre les mesures correctives qui s'imposent.

- **Lorsqu'on remet la scie en marche, centrer la lame dans l'entaille et s'assurer que les dents ne soient pas engagées dans le matériau.** Si la lame se coince, la scie peut grimper hors de l'entaille ou faire un rebond lorsqu'on la redémarre.
- **Soutenir les grands panneaux afin d'éviter autant que possible de coincer la lame et d'engendrer un rebond.** Les grands panneaux tendent à s'affaisser sous leur poids et doivent être soutenus de chaque côté, près de la ligne de coupe et du bord du panneau.
- **Ne pas utiliser de lames usées ou endommagées,** car celles-ci produisent des entailles plus étroites, ce qui peut causer une friction excessive, coincer la lame et engendrer un rebond.
- **Bien verrouiller les leviers de réglage de profondeur et d'angle de biseau avant d'amorcer une coupe ;** si ces leviers se déplacent durant la coupe, la lame peut se coincer et entraîner un REBOND.
- **On doit faire particulièrement attention lorsqu'on effectue une coupe « interne » dans un mur ou un endroit difficile à voir,** car la lame peut couper des objets cachés qui risquent d'occasionner un rebond.

⚠ AVERTISSEMENT : certains outils électriques, tels que les sableuses, les scies, les meules, les perceuses ou certains autres outils de construction, peuvent produire de la poussière contenant des produits chimiques susceptibles d'entraîner le cancer, des malformations congénitales ou pouvant être nocifs pour le système reproductif. Parmi ces produits chimiques, on retrouve :

- le plomb dans les peintures à base de plomb,
- la silice cristalline dans les briques et le ciment et autres produits de maçonnerie,
- l'arsenic et le chrome dans le bois de sciage ayant subi un traitement chimique (comme l'arséniate de cuivre et de chrome).
- Le risque associé à de telles expositions varie selon la fréquence avec laquelle on effectue ces travaux. Pour réduire l'exposition à de tels produits, il faut travailler dans un endroit bien ventilé et utiliser le matériel de sécurité approprié, tel un masque anti-poussières spécialement conçu pour filtrer les particules microscopiques.
- **Éviter tout contact prolongé avec la poussière soulevée par cet outil ou autres outils électriques. Porter des vêtements de protection et nettoyer les parties exposées du corps avec de l'eau savonneuse.** S'assurer de bien se protéger afin d'éviter d'absorber par la bouche, les yeux ou la peau des produits chimiques nocifs.

⚠ AVERTISSEMENT : Cet outil peut produire et répandre de la poussière susceptible de causer des dommages sérieux et permanents au système respiratoire. Toujours utiliser un appareil respiratoire anti-poussières approuvé par le NIOSH ou l'OSHA. Diriger les particules dans le sens opposé du visage et du corps.

⚠ AVERTISSEMENT: TOUJOURS PORTER DES LUNETTES DE SÉCURITÉ. Les lunettes de vue ne constituent PAS des lunettes de sécurité. Utiliser également un masque facial ou anti-poussière si l'opération de découpe génère de la poussière. TOUJOURS PORTER UN ÉQUIPEMENT DE PROTECTION HOMOLOGUÉ :

- protection oculaire ANSI Z87.1 (CAN/CSA Z94.3),
- protection auditive ANSI S12.6 (S3.19) et
- protection des voies respiratoires NIOSH/OSHA.

⚠ AVERTISSEMENT : lorsqu'on effectue une coupe dans un mur, un plancher ou dans un endroit où l'on risque d'entrer en contact avec des fils cachés, toujours tenir l'outil par les surfaces isolantes prévues à cette fin, car de tels contacts peuvent mettre les pièces métalliques de l'outil sous tension et engendrer des risques de choc électrique. **NE JAMAIS TOUCHER LES PIÈCES MÉTALLIQUES DE L'OUTIL!**

• L'étiquette apposée sur l'outil peut comprendre les symboles suivants. Voici les symboles et leurs définitions :

- | | |
|-----------------------------------|------------------------------------|
| V..... volts | Aampères |
| Hz..... hertz | Wwatts |
| min minutes | ~courant alternatif |
| — — — ... courant continu | ⋈courant alternatif |
| ⚡ Construction de classe I | ou continu |
| (mis à la terre) | n ₀vitesse à vide |
| □ Construction de classe II | ⊖borne de terre |
| (à double isolation) | ⚠symbole d'alerte |
| BPM.... coups par minute | à la sécurité |
| RPM.... rotations ou alternance | .../minpar minute |
| par minute | |

COMPOSANTS

- A. Capuchon d'extrémité
- B. Interrupteur à gâchette
- C. Dispositif de réglage de l'angle de biseau
- D. Patin
- E. Boulon de la lame
- F. Protège-lame inférieur

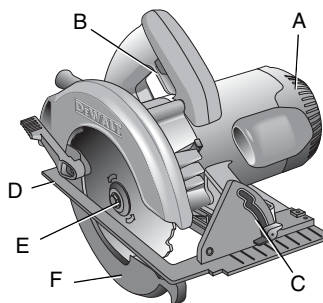


FIG. 1

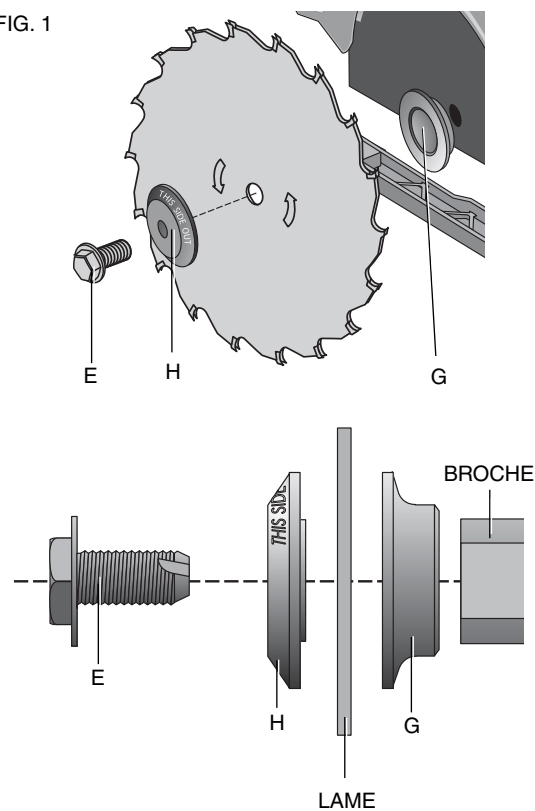


FIG. 2

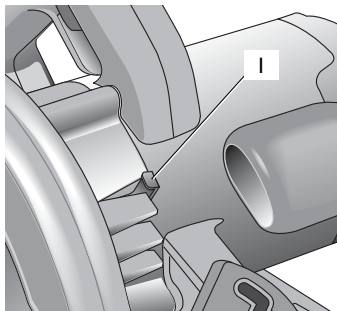
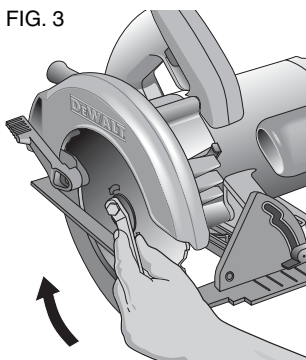


FIG. 3



Moteur

Cet outil est entraîné par un moteur DEWALT. On doit s'assurer que l'intensité nominale du cordon d'alimentation corresponde à celle indiquée sur la plaque signalétique; sur cette dernière, la mention « 120 V c.a./c.c. » signifie que l'outil doit être branché dans une prise de courant alternatif ou continu. Une tension inférieure de 10 % à celle indiquée pourrait entraîner une perte de puissance ou une surchauffe. Tous les outils DEWALT sont soumis à des essais en usine; si cet outil ne fonctionne pas, on doit d'abord vérifier l'intensité nominale du cordon d'alimentation.

Remplacement des lames

⚠ AVERTISSEMENT : pour réduire le risque de blessures graves, éteindre l'outil et le débrancher avant d'effectuer tout réglage et d'enlever ou d'installer tout accessoire.

INSTALLATION DE LA LAME (FIG. 1–4)

1. Placer la rondelle de bride de serrage interne (G) sur la broche de scie (la large surface plane doit être orientée vers l'extérieur, face à la lame).

2. Escamoter le protège-lame inférieur (F) et placer la lame sur la broche, contre la rondelle de bride de serrage interne, en s'assurant que la lame tourne dans le bon sens (le sens de la flèche de rotation située sur la lame et les dents doivent pointer dans la même direction que celle de la flèche indiquée sur la scie). Ne pas assumer que le côté imprimé de la lame est toujours face à l'utilisateur lorsqu'elle est installée correctement. Lorsqu'on escamote le protège-lame inférieur en vue d'installer la lame, le vérifier afin de s'assurer qu'il est en bon état et qu'il fonctionne correctement, c'est-à-dire, qu'il se déplace librement et qu'il ne touche pas à la lame ni à toute autre pièce quelconque, quel que soit l'angle ou la profondeur de coupe.
3. Placer la rondelle de bride de serrage externe (H) sur la broche de scie, en s'assurant de placer la large surface plane contre la lame, et le côté imprimé de la rondelle face à l'utilisateur.
4. Fileter la vis de fixation de la lame (E) dans la broche et la serrer fermement avec les doigts.
5. Appuyer sur le bouton de verrouillage de la lame (I) et tourner la broche au moyen de la clé de réglage de la lame jusqu'à ce que le bouton de verrouillage s'engage et que la lame s'immobilise.
6. Serrer fermement la vis de fixation au moyen de la clé de réglage.

REMARQUE : Ne jamais engager le bouton de verrouillage de la lame lorsque la scie est en marche pour tenter d'arrêter l'outil. Ne jamais mettre l'outil en marche lorsque le bouton de verrouillage est engagé afin d'éviter d'endommager gravement la scie.

REMPACEMENT DE LA LAME

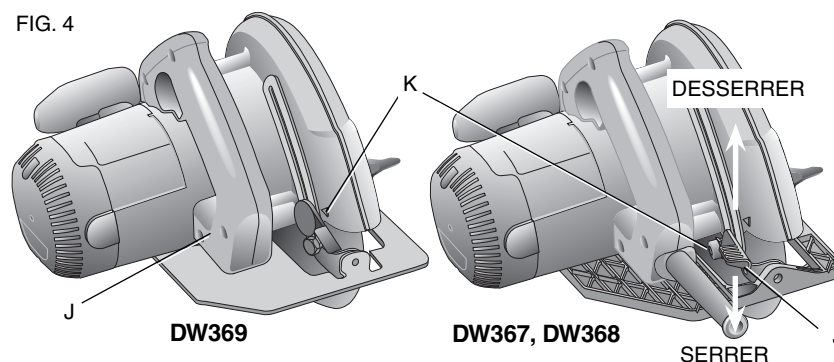
1. Pour desserrer la vis de fixation de la lame (E), appuyer sur son bouton de verrouillage (I) et tourner la broche au moyen de la clé de réglage jusqu'à ce que le bouton de verrouillage s'engage et que la lame s'immobilise. Une fois le bouton engagé, tourner la vis de fixation de la lame vers la gauche au moyen de la clé (cette vis à filetage doit être serrée vers la gauche).

2. Retirer la vis de fixation (E) et la rondelle de bride de serrage externe (H) seulement, puis enlever l'ancienne lame.
3. Enlever la sciure qui aurait pu s'accumuler dans le protège-lame ou autour de la rondelle et vérifier le protège-lame inférieur afin de s'assurer qu'il est en bon état et qu'il fonctionne correctement, tel que décrit précédemment. Ne pas lubrifier cette zone.
4. Choisir la lame qui convient à la tâche (voir la section « **Lames** » du présent guide). Toujours utiliser une lame de dimension (diamètre) appropriés munie d'un orifice de dimension et de forme appropriées en vue de leur installation sur la broche. Toujours s'assurer que la vitesse maximale recommandée (tr/min) indiquée sur la lame est égale ou supérieure à la vitesse (tr/min) de la scie.
5. Suivre les étapes de 2 à 6 décrites à la section « **Installation de la lame** » du présent guide, en s'assurant que la lame tourne dans le bon sens.

PROTÈGE-LAME INFÉRIEUR

⚠ AVERTISSEMENT : Le protège-lame inférieur est un dispositif de sécurité qui réduit les risques de blessure grave. Ne jamais utiliser la scie lorsque le protège-lame inférieur est manquant, endommagé, mal assemblé ou en mauvais état de fonctionnement. Ne pas se fier sur le protège-lame inférieur pour se protéger sous toutes les circonstances. Pour assurer sa propre sécurité, on doit suivre toutes les mesures de précaution et consignes de sécurité décrites ci-dessous et utiliser l'outil correctement. Vérifier le protège-lame inférieur avant chaque utilisation afin de s'assurer qu'il se ferme correctement, tel que décrit à la section « **Règles de sécurité additionnelles concernant les scies circulaires** » du présent

FIG. 4



guide. Lorsque le protège-lame inférieur est manquant ou qu'il ne fonctionne pas bien, apporter la scie à un centre de service autorisé avant de l'utiliser. Pour assurer la sécurité et la fiabilité de ce produit, toutes les opérations de réparation, d'entretien et de réglage doivent être effectuées dans un centre de service autorisé ou par du personnel qualifié; on ne doit utiliser que des pièces de rechange identiques.

Réglage de la profondeur de coupe (fig. 5, 6)

⚠ AVERTISSEMENT : pour réduire le risque de blessures graves, éteindre l'outil et le débrancher avant d'effectuer tout réglage et d'enlever ou d'installer tout accessoire.

1. Tenir fermement la scie et soulever le levier de réglage de la profondeur (J), puis desserrer et déplacer le patin afin d'obtenir la profondeur voulue, tel qu'illustré.
2. S'assurer de bien resserrer le levier (en l'abaissant) avant de faire fonctionner l'outil.

3. La scie est munie d'une lame à pointe carburée qui prolonge la durée de vie de la lame et permet ainsi d'obtenir une coupe optimale. Le fait de régler la scie à la profondeur de coupe appropriée permet de réduire au minimum la friction de la lame, d'éviter toute accumulation de sciure entre les dents de la lame, de réduire la quantité de chaleur dégagée, d'accélérer le sciage et de réduire les risques de rebond. Régler la profondeur en alignant la marque indiquée sur la courroie de réglage avec le triangle figurant sur le protège-lame supérieur (K).

FIG. 5

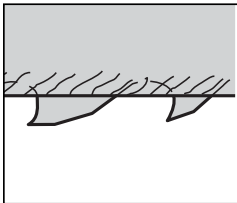
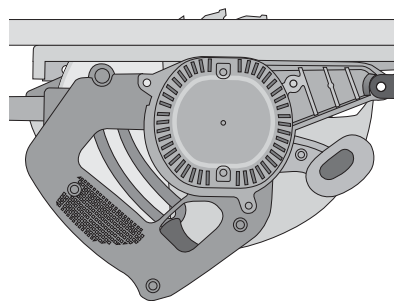


FIG. 6



4. Afin d'obtenir une coupe optimale au moyen d'une lame à pointe carburée, régler le levier de réglage de profondeur de manière à ce que environ la moitié d'une dent dépasse le matériau à couper.
5. La figure 6 illustre une méthode pour déterminer la profondeur de coupe appropriée. Il s'agit de déposer le matériau le long de la lame, tel qu'illustré, et de vérifier les dents qui dépassent.

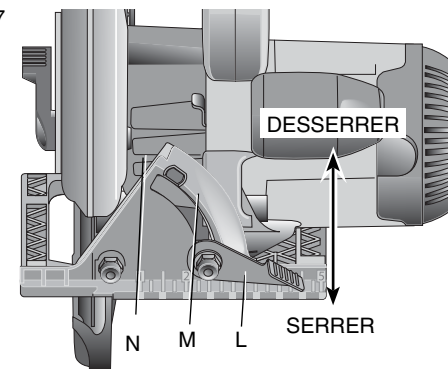
Réglage de l'angle de biseau (fig. 7, 8)

⚠ AVERTISSEMENT : pour réduire le risque de blessures graves, éteindre l'outil et le débrancher avant d'effectuer tout réglage et d'enlever ou d'installer tout accessoire.

La plage complète des angles de biseau s'étend de 0 à 50 degrés pour le modèle DW367. Le réglage, sur le support pivotant, s'effectue par incréments de 5 degrés.

Pour les modèles DW368 et DW369, la plage complète des angles de biseau s'étend de 0 à 56 degrés. Le réglage, sur le support pivotant, s'effectue par pas de 1 degré. Le mécanisme de réglage de l'angle de biseau (M) est composé d'un cadran doté d'un pointeur (N) et d'un levier (L) à l'avant de la scie.

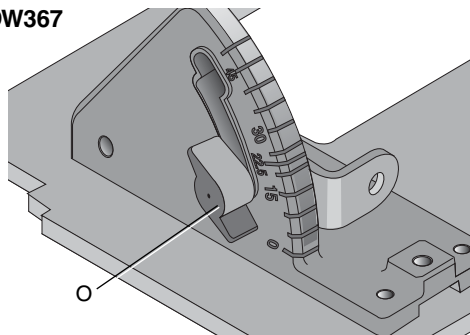
FIG. 7



1. Pour ajuster la scie pour une coupe biseautée, relever le levier (L) ou tourner le bouton (O) pour desserrer le mécanisme de réglage du biseau.
2. Incliner la semelle à l'angle voulu en alignant le pointeur avec le repère sélectionné sur le support de pivot.

3. Abaisser le levier ou tourner le bouton pour resserrer le mécanisme de réglage du biseau

FIG. 8 DW367



Dispositif de détente de l'angle de biseau (fig. 7, 8)

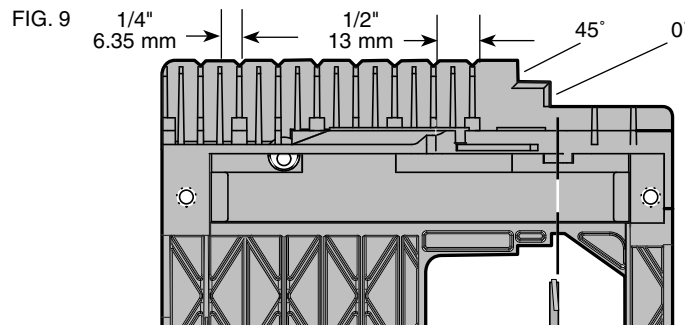
⚠ AVERTISSEMENT : pour réduire le risque de blessures graves, éteindre l'outil et le débrancher avant d'effectuer tout réglage et d'enlever ou d'installer tout accessoire.

Le modèle DW367 comporte une butée de biseau à 45 degrés. Pour régler le biseautage à un angle supérieur à 45 degrés, incliner la semelle à 45 degrés puis glisser le bouton et le boulon dans la rainure supérieure. Une fois l'angle voulu atteint, serrer le bouton.

Les DW368 et les DW369 sont équipés d'un dispositif de détente de l'angle de biseau. Lorsqu'on penche le patin, un déclic se fait entendre lorsque celui-ci atteint les angles de 22,5 et de 45 degrés. Si ces angles sont les angles voulus, resserrer le levier en l'abaissant. Si on désire obtenir un autre angle, continuer de pencher le patin jusqu'à ce que l'indicateur s'aligne avec la marque correspondant à l'angle choisi.

Indicateur de trait de scie (fig. 9)

La partie avant du patin est munie d'un indicateur de trait de scie pour les coupes verticales et en biseau. Cet indicateur permet à l'opérateur de guider la scie le long des lignes de coupe tracées au crayon sur le matériau. L'indicateur s'aligne avec le côté gauche (intérieur) de la lame, de sorte que la fente ou l'entaille tombe du côté droit de l'indicateur. Les espacements entre les rainures situées à l'avant des patins DW368 et DW369 mesurent 6,35 mm (1/4 po), tandis que ceux des entailles sont de 13 mm (1/2 po).



FONCTIONNEMENT

⚠ AVERTISSEMENT : pour réduire le risque de blessures graves, éteindre l'outil et le débrancher avant d'effectuer tout réglage et d'enlever ou d'installer tout accessoire.

Interrupteur (fig. 1)

Appuyer sur l'interrupteur à gâchette (B) pour mettre l'outil en marche et le relâcher pour l'arrêter. Cet outil n'a aucun mécanisme

FIG. 10

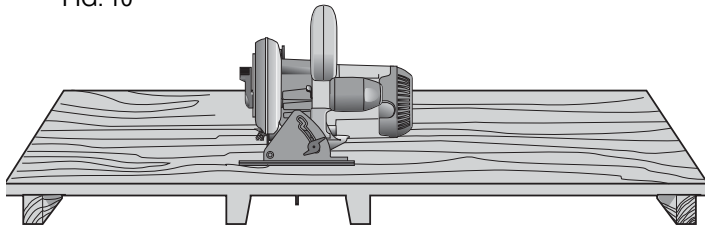
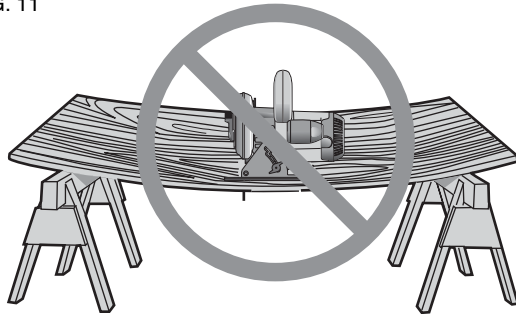


FIG. 11



Pour éviter l'effet de rebond, TOUJOURS soutenir la planche ou le panneau PRÈS de la ligne de coupe (figures 10 et 12), JAMAIS loin de celle-ci (figures 11 et 13). Lorsqu'on utilise la scie, on doit s'assurer que le cordon d'alimentation ne se trouve pas à proximité de la zone de coupe afin d'éviter qu'il ne s'accroche dans la pièce.

⚠ AVERTISSEMENT : il est important de bien soutenir la pièce et de tenir fermement la scie afin d'éviter de perdre la maîtrise de l'outil et de se blesser. La figure 12 illustre la bonne façon de soutenir et de tenir la scie.

FIG. 12

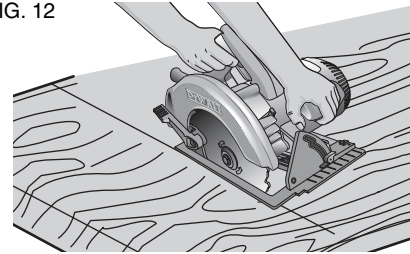
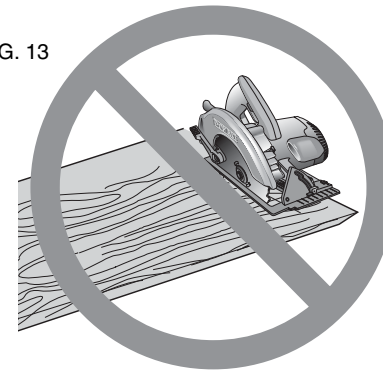


FIG. 13



destiné à verrouiller l'interrupteur en position de marche; on ne doit jamais le verrouiller dans cette position par quelque moyen que ce soit.

Support de la pièce

Les figures 10 et 12 illustrent la position de sciage appropriée, tandis que les figures 11 et 13 indiquent les positions à éviter. Les mains doivent être tenues éloignées de la zone de coupe et on doit s'assurer que le cordon d'alimentation ne se trouve pas à proximité de cette zone afin d'éviter qu'il ne se coince dans la pièce ou qu'il s'y accroche.

TOUJOURS DÉBRANCHER LA SCIE AVANT D'EFFECTUER UN RÉGLAGE! Placer la pièce de manière ce que le « bon » côté (celui dont l'apparence importe le plus) soit vers le bas; puisque la scie coupe vers le haut, le matériau produira des éclats dans cette direction.

Coupage

Soutenir la pièce de manière à ce que le matériau excédentaire tombe du côté droit. Placer la section la plus large du patin sur la section solidement soutenue du matériau, non sur celle qui se détachera. Par exemple, la figure 12 illustre la façon CORRECTE de couper l'extrémité d'une planche et la figure 13, la façon INCORRECTE. Toujours fixer la pièce. Ne jamais tenir les planches plus courtes avec les mains! Bien soutenir les pièces en saillie ou en porte-à-faux et prendre les précautions nécessaires lorsqu'on coupe un matériau sur le dessous.

S'assurer que la scie atteigne sa vitesse maximale avant de placer la lame sur le matériau, car on peut engendrer un rebond si on démarre la scie alors qu'elle touche le matériau ou si on la pousse dans une entaille.

Faire avancer la scie à une vitesse qui permet à la lame de couper sans trop forcer. La dureté et la résilience d'un matériau peuvent varier d'une section à l'autre; les sections noueuses ou humides peuvent aussi surcharger l'outil. Lorsque cela se produit, pousser la scie plus lentement en s'assurant d'exercer assez de pression pour continuer à travailler sans trop réduire la vitesse.

Effet de rebond

L'effet de rebond se produit lorsque l'outil reste coincé ou immobilisé dans l'entaille, le faisant rebondir soudainement en direction de l'opérateur. Lorsque la lame reste coincée ou est immobilisée par une entaille qui se referme, l'arrêt de la lame et la réaction du moteur

entraîne un recul brusque de l'outil vers l'opérateur. Si la lame se tord ou est mal alignée, les dents arrière peuvent s'engager sur le dessus de la pièce, faisant grimper la lame hors de l'entaille et rebondir l'outil en direction de l'opérateur.

L'effet de rebond est plus susceptible de se produire dans les conditions suivantes :

1. SUPPORTS INADÉQUATS

- A. Si le matériau s'affaisse ou les sections coupées se soulèvent, la lame peut être pincée dans le matériau, augmentant les risques de rebond (fig. 11).
- B. Si une coupe est réalisée dans un matériau qui n'est soutenu que par ses extrémités, il s'affaisse à mesure que la coupe le faiblit, ce qui entraîne la fermeture de l'entaille et le pincement de la lame et augmente les risques de rebond.
- C. Si on effectue une coupe verticale dans une pièce en saillie ou en porte-à-faux, à partir du bas vers le haut, les sections coupées peuvent occasionner le pincement de la lame ainsi qu'un rebond.
- D. Si on coupe des bandes longues et étroites (comme dans le cas d'une coupe de refente ou en long), la section coupée peut s'affaisser ou se tordre, entraînant la fermeture de l'entaille et le pincement de la lame et augmente les risques de rebond.
- E. Si le protège-lame inférieur s'accroche sur une surface située sous la pièce, on perd momentanément la maîtrise de l'outil; la scie peut alors se soulever partiellement et sortir de l'entaille, augmentant les risques de torsion de la lame.

2. MAUVAIS RÉGLAGE DE PROFONDEUR

Afin d'obtenir la meilleure coupe possible, la lame doit à peine dépasser (la moitié d'une dent seulement doit être exposée), ce qui permettra au patin de soutenir la lame et de réduire au minimum les risques de torsion ou de pincement de la lame dans

le matériau. Se reporter à la section « Réglage de la profondeur de coupe ».

3. TORSION DE LA LAME (MAUVAIS ALIGNEMENT DE LA COUPE)

- A. Poussant plus dur à la coupe à travers un noeud, un ongle, ou un secteur dur de grain peut causer la lame à la torsion.
- B. L'essai de tourner la scie dans la coupe (essayant de revenir sur la ligne marquée) peut causer la torsion de lame.
- C. Si on étend trop les bras ou si on est mal placé (manque d'équilibre), la lame peut se tordre.
- D. Si on tente de réorienter la coupe (afin de retourner sur la ligne), la lame peut se tordre.
- E. Si on recule la scie pour dégager la lame sans prendre les précautions appropriées, la lame peut se tordre.

4. MATÉRIAUX EXIGEANT UNE ATTENTION PARTICULIÈRE

- A. Bois mouillé.
- B. Bois vert (fraîchement coupé ou non séché au four)
- C. Bois traité sous pression (bois traité au moyen d'un produit de préservation ou anti-pourriture).

5. LAMES SALES OU USÉES

Les lames usées augmentent la charge exercée sur la scie. Afin de compenser cette usure, l'opérateur tend en outre à exercer une plus grande pression sur l'outil, ce qui augmente encore la charge et risque de tordre la lame dans l'entaille. En s'usant, les lames peuvent aussi avoir moins de jeu; elles risquent alors de se coincer et d'accroître la charge exercée.

6. SOULÈVEMENT DE LA SCIE POUR EFFECTUER DES COUPES EN BISEAU

On doit porter une attention particulière à la méthode de coupe lorsqu'on effectue des travaux en biseau, surtout au niveau du guidage de la scie le long de la ligne de coupe; l'angle de

la lame par rapport au patin et la surface de cette première à l'intérieur du matériau étant tous deux plus grands, les risques de coincement et de mauvais alignement (torsion) de la lame augmentent.

7. REPRISE D'UNE COUPE LORSQUE LES DENTS RESTENT COINCÉES DANS LE MATÉRIAU

On doit attendre que la scie atteigne sa vitesse maximale avant d'amorcer ou de reprendre une coupe lorsque la lame est immobilisée dans une entaille, sinon on risque de caler le moteur et de causer un rebond.

Toute autre condition, qui provoquerait un pincement, un coincement, la torsion ou le mauvais alignement de la lame, risque de se solder par un rebond. Se reporter aux rubriques **Règles de sécurité additionnelles** et **Fonctionnement** pour les procédures et techniques qui minimisent l'effet de rebond.

ENTRETIEN

⚠ AVERTISSEMENT : pour réduire le risque de blessures graves, éteindre l'outil et le débrancher avant d'effectuer tout réglage et d'enlever ou d'installer tout accessoire.

Nettoyage

⚠ AVERTISSEMENT : enlever les saletés et la poussière hors des événements au moyen d'air comprimé propre et sec, au moins une fois par semaine. Pour minimiser le risque de blessure aux yeux, toujours porter une protection oculaire conforme à la norme ANSI Z87.1 lors du nettoyage.

⚠ AVERTISSEMENT : ne jamais utiliser de solvants ni d'autres produits chimiques puissants pour nettoyer les pièces non métalliques de l'outil. Ces produits chimiques peuvent affaiblir les matériaux de plastique utilisés dans ces pièces. Utiliser un chiffon humecté uniquement d'eau et de savon doux. Ne jamais laisser de

liquide pénétrer dans l'outil et n'immerger aucune partie de l'outil dans un liquide.

Lubrification

Les roulements à billes ou à rouleaux internes de l'outil sont autolubrifiés, de sorte qu'on n'a pas besoin de les lubrifier soi-même. On recommande cependant d'apporter l'outil à un centre de service autorisé au moins une fois par année aux fins d'un entretien complet (nettoyage, inspection et lubrification) du carter d'engrenage.

Frein électrique (modèle DW369 seulement)

La scie est munie d'un frein électrique destiné à arrêter automatiquement la lame dans un délai de deux secondes suivant le relâchement de la gâchette. Ce dispositif est surtout utile lorsqu'on effectue certaines coupes dans les matériaux en bois susceptibles de produire des entailles larges et imprécises si la lame ne s'arrête pas.

Le frein peut, à l'occasion, ne pas fonctionner correctement et ne pas arrêter la lame au bout de deux secondes.

Si cela se produit, démarrer et arrêter la scie quatre ou cinq fois. Si le problème persiste, il se peut que les balais soient usés. On doit alors les remplacer selon les directives figurant ci-dessous, puis remettre la scie en marche. Si le problème n'est toujours pas réglé, apporter l'outil à un centre de service DEWALT afin de le faire réparer.

Reparations

Pour assurer la SÉCURITÉ et la FIABILITÉ du produit, les réparations, l'entretien et les réglages doivent être réalisés par un centre de réparation en usine DEWALT, un centre de réparation agréé DEWALT ou par d'autres techniciens qualifiés. Toujours utiliser des pièces de rechange identiques. (Se reporter aux rubriques **Balais** pour l'information de remplacement de balais.)

Balais

⚠ AVERTISSEMENT : pour réduire le risque de blessures graves, éteindre l'outil et le débrancher avant d'effectuer tout réglage et d'enlever ou d'installer tout accessoire.

On doit inspecter régulièrement les balais de charbon. Pour ce faire, débrancher l'outil, retirer le capuchon, puis les balais eux-mêmes. Maintenir ces derniers propres afin qu'ils puissent glisser librement dans leurs guides. Lorsqu'on place un balai, on doit prendre soin de le mettre dans le même sens qu'avant. Divers symboles figurent sur les côtés de chaque balai; on doit remplacer ces derniers lorsque l'usure atteint la ligne la plus près du ressort. N'utiliser que des balais DEWALT identiques et de même qualité offerts aux centres de service de sa région. Laisser l'outil marcher à vide, sans lame, pendant 5 minutes avant de l'utiliser afin de s'assurer que les nouveaux balais soient bien en place.

Durant le rodage des balais, NE PAS RETENIR L'INTERRUPTEUR À GÂCHETTE AU MOYEN D'UNE CORDE, D'UN RUBAN ADHÉSIF OU D'AUTRE MOYEN DE BLOCAGE; NE LE MAINTENIR EN POSITION QU'AVEC LES MAINS.

Réglage du patin

⚠ AVERTISSEMENT : pour réduire le risque de blessures graves, éteindre l'outil et le débrancher avant d'effectuer tout réglage et d'enlever ou d'installer tout accessoire.

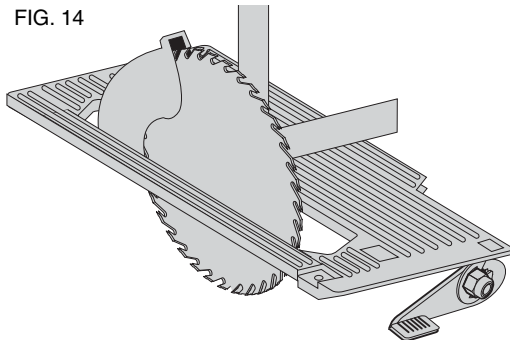
Le patin est réglé en usine afin d'assurer que la lame est perpendiculaire à celui-ci. Si, après une utilisation prolongée, il s'avère nécessaire d'aligner de nouveau la lame, on doit procéder comme suit :

RÉGLAGE DES COUPES À 90°

1. Régler la scie à un angle de biseau de 0°.
2. Déposer la scie sur le côté et escamoter le protège-lame inférieur.

3. Desserrer le levier de réglage de l'angle de biseau (L), puis placer une équerre contre la lame et le patin (fig. 14)

FIG. 14



4. Au moyen d'une clé hexagonal, tourner la vis située en-dessous du patin jusqu'à ce que la lame et le patin soient bien affleurés contre l'équerre. Resserrer le levier de réglage de l'angle de biseau.

AJUSTEMENT DES LEVIERS DE RÉGLAGES DE BISEAU ET DE PROFONDEUR

Il est parfois souhaitable de régler les leviers de réglage de biseau ou de profondeur. En effet, les leviers risquent de se desserrer avec le passage du temps et de frapper la semelle avant de les serrer. Pour serrer les leviers, procéder comme suit.

AJUSTEMENT DU LEVIER DE RÉGLAGE DE BISEAU (DW368, DW369)

REMARQUE : les directives suivantes s'appliquent également au réglage du levier des modèles DW367 et DW368.

1. Dégager l'anneau de verrouillage au moyen d'un petit tournevis.

2. Enlever le levier et le faire tourner dans la direction voulue, soit d'environ 1/8 de tours.

3. Réinstaller l'anneau de verrouillage, le côté concave contre le levier, pour le retenir en place.

AJUSTEMENT DU LEVIER DE RÉGLAGE DE PROFONDEUR (MODÈLE DW369 SEULEMENT)

1. Desserrer la vis qui retient le levier.
2. Enlever le levier et le faire tourner dans la direction voulue, soit d'environ 1/8 de tours.
3. Resserrer la vis du levier.

Lames

Les lames usées produisent des coupes inefficaces, surchargent le moteur, engendrent davantage d'éclats de bois et augmentent les risques de rebond. On doit remplacer la lame lorsqu'on éprouve de la difficulté à faire avancer la scie dans l'entaille, ce qui force le moteur et fait surchauffer la lame. On recommande de toujours avoir des lames de rechange en réserve afin de pouvoir immédiatement remplacer celles qui ont besoin d'être aiguisées. On peut faire aiguiser les lames dans la plupart des centres de service (consulter la rubrique SCIÉS – AIGUISAGE dans les pages jaunes).

On peut enlever la gomme durcie qui s'est accumulée sur la lame au moyen de kérosène, de térébenthine ou d'un produit pour nettoyer les cuisinières. On peut utiliser des lames enduites d'un agent anticollant avec des matériaux sur lesquels la gomme a tendance à s'accumuler, comme le bois vert et le bois traité sous pression.

ACCESSOIRES

AVERTISSEMENT : *puisque les accessoires autres que ceux offerts par DEWALT n'ont pas été testés avec ce produit, leur utilisation pourrait s'avérer dangereuse. Pour réduire le risque de blessures, utiliser exclusivement les accessoires DEWALT recommandés avec le présent produit.*

Les accessoires recommandés pour cet outil sont vendus séparément au centre de service de votre région. Pour obtenir de l'aide concernant l'achat d'un accessoire, communiquer avec DEWALT Industrial Tool Co., 701 East Joppa Road, Baltimore, MD 21286 aux États-Unis; composer le 1 (800) 4-DEWALT (1-800-433-9258) ou visiter notre site Web www.dewalt.com.

LES ACCESSOIRES D'AMENÉE D'EAU NE SONT PAS RECOMMANDÉS AVEC CET OUTIL.

EXAMINER LES LAMES AU CARBURE À L'OEIL NU AVANT CHAQUE UTILISATION.

LES REMPLACER AU BESOIN

MONTURES COMBINÉES -

Orifice d'arbre de 5/8 po de dia.; 24 dents.
Lame rapide tout usage pour coupes en long et transversales

BOIS VERT / TRAITÉ SOUS PRESSION -

Orifice d'arbre de 5/8 po de dia.; 20 dents.
Enduit de protection contre l'accumulation de gomme durcie

DURABILITÉ EXTRÊME -

Orifice d'arbre de 5/8 po de dia.; 18 dents.
Carbure refroidie, à roche

FINI - Orifice d'arbre de 5/8 po de dia.; 36 dents. Plus de dents pour un meilleur fini.

MONTURES POUR COUPES RAPIDES -

Orifice d'arbre de 5/8 po de dia.; 16 dents.
Lame rapide pour coupes en long et transversales.

Garantie limitée de trois ans

DEWALT réparera, sans frais, tout produit défectueux causé par un défaut de matériel ou de fabrication pour une période de trois ans à compter de la date d'achat. La présente garantie ne couvre pas les pièces dont la défectuosité a été causée par une usure normale ou l'usage abusif de l'outil. Pour obtenir de plus amples renseignements sur les pièces ou les réparations couvertes par la présente garantie, visiter le site www.dewalt.com ou composer le 1 800 433-9258 (1 800 4-DEWALT). Cette garantie ne s'applique pas aux accessoires et ne vise pas les dommages causés par des réparations effectuées par un tiers. Cette garantie confère des droits légaux particuliers à l'acheteur, mais celui-ci pourrait aussi bénéficier d'autres droits variant d'un état ou d'une province à l'autre.

En plus de la présente garantie, les outils DEWALT sont couverts par notre :

CONTRAT D'ENTRETIEN GRATUIT D'UN AN

DEWALT entretiendra l'outil et remplacera les pièces usées au cours d'une utilisation normale et ce, gratuitement, pendant une période d'un an à compter de la date d'achat, et la

GARANTIE DE REMBOURSEMENT DE 90 JOURS

Si l'acheteur n'est pas entièrement satisfait, pour quelque raison que ce soit, du rendement de l'outil électrique, du laser ou de la cloueuse DEWALT, celui-ci peut le retourner, accompagné d'un reçu, dans les 90 jours à compter de la date d'achat, pour obtenir un remboursement intégral, sans aucun problème.

AMÉRIQUE LATINE : Cette garantie ne s'applique aux produits vendus en Amérique latine. Pour ceux-ci, veuillez consulter les informations relatives à la garantie spécifique présente dans l'emballage, appeler l'entreprise locale ou consulter le site Web pour les informations relatives à cette garantie.

Français

REPLACEMENT GRATUIT DES ÉTIQUETTES D'AVERTISSEMENT : Si les étiquettes d'avertissement deviennent illisibles ou sont manquantes, composer le 1-800-4-DEWALT (1-800-433-9258) pour en obtenir le remplacement gratuit.

Français

DWXXX 7-1/4" (184mm) CIRCULAR SAW
SER. [REDACTED]

⚠ DANGER KEEP HANDS AND BODY AWAY FROM AND TO THE SIDE OF THE BLADE. CONTACT WITH BLADE WILL RESULT IN SERIOUS INJURY.

⚠ WARNING AVERTISSEMENT
TO REDUCE THE RISK OF INJURY, USER MUST READ AND UNDERSTAND INSTRUCTION MANUAL. CHECK LOWER GUARD. IT MUST CLOSE INSTANTLY. HOLD SAW WITH BOTH HANDS. SUPPORT AND CLAMP WORK. WEAR EYE PROTECTION. USE PROPER RESPIRATORY PROTECTION. À TITRE PRÉVENTIF, LIRE LE GUIDE D'UTILISATION.

PATENT PENDING
DEWALT INDUSTRIAL TOOL CO., BALTIMORE, MD 21286 USA
FOR SERVICE INFORMATION, CALL: 1-800-4-DEWALT www.DEWALT.com

⚠ PELIGRO: MANTENGA LAS MANOS Y EL CUERPO ALEJADOS Y HACIA EL COSTADO DEL DISCO. CUALQUIER CONTACTO CON EL DISCO PUEDE RESULTAR EN LESIONES SERIAS.
⚠ ADVERTENCIA: PARA DISMINUIR EL RIESGO DE LESIONES, EL USUARIO DEBERÁ LEER Y COMPRENDER EL MANUAL DE INSTRUCCIONES. INSPECCIONE LA GUARDA INFERIOR. LA GUARDA DEBE DE CERRAR INSTANTANEAMENTE. UTILICE DISCOS DE 184 mm (7 1/4 pulg) SOLAMENTE. UTILICE SOLAMENTE PIEZAS DE REPUESTO IDENTICAS. SIEMPRE SE DEBERA LLEVAR LA PROTECCION APROPIADA PARA LA VISTA Y PARA LAS VIAS RESPIRATORIAS.

⚠ DANGER: ÉLOIGNER LES MAINS ET LE CORPS DU DEVANT DE LA LAME ET LES LAISSER SUR LE CÔTÉ DE CELLE-CI LE CONTACT AVEC LA LAME CAUSE DE GRAVES BLESSURES.
⚠ AVERTISSEMENT: AFIN DE MINIMISER LES RISQUES DE BLESSURES, L'UTILISATEUR DOIT LIRE ET COMPRENDRE LE GUIDE D'UTILISATION. VÉRIFIER LE PROTECTEUR INFÉRIEUR. CE DERNIER DOIT SE REFERMER INSTANTANÉMENT. TENIR LA SCIE DES DEUX MAINS. SOUTENIR ET FIXER LA PIÈCE À OUVRIER. UTILISER SEULEMENT DES LAMES DE 7 1/4 po. UTILISER SEULEMENT DES PIÈCES DE RECHANGE IDENTIQUES. IL FAUT TOUJOURS PORTER DE L'ÉQUIPEMENT DE PROTECTION OCULAIRE ET RESPIRATOIRE APPROPRIÉ.

Definiciones: Normas de seguridad

Las siguientes definiciones describen el nivel de gravedad de cada palabra de señal. Lea el manual y preste atención a estos símbolos.

▲PELIGRO: indica una situación de peligro inminente que, si no se evita, provocará **la muerte o lesiones graves**.

▲ADVERTENCIA: indica una situación de peligro potencial que, si no se evita, **podría provocar la muerte o lesiones graves**.

▲ATENCIÓN: indica una situación de peligro potencial que, si no se evita, **posiblemente** provocaría **lesiones leves o moderadas**.

ATENCIÓN: cuando se utiliza sin el símbolo de alerta de seguridad indica una situación de peligro potencial que, si no se evita, **puede provocar daños en la propiedad**.

SI TIENE ALGUNA DUDA O ALGÚN COMENTARIO SOBRE ÉSTA U OTRA HERRAMIENTA DEWALT, LLÁMENOS AL NÚMERO GRATUITO: 1-800-4-DEWALT (1-800-433-9258).

Reglas generales de seguridad

▲ ¡ADVERTENCIA! Lea y entienda todo el instructivo. El no seguir todas las instrucciones enumeradas a continuación puede resultar en electrochoque, fuego y/o sería lesión personal.

GUARDE ESTAS INSTRUCCIONES

ÁREA DE TRABAJO

- **Mantenga su área de trabajo limpio y bien iluminado.** Bancos de trabajo abarrotados de cosas y áreas oscuras son una invitación a los accidentes.
- **No opere herramientas eléctricas en atmósferas explosivas, donde hay presencia de líquidos, gases, o polvos inflamables.** Las herramientas eléctricas crean chispas que podrían encender el polvo o los gases.
- **Mantenga a los transeúntes, niños, y visitantes alejados mientras opera una herramienta eléctrica.** Las distracciones podrían causar la pérdida de control.

SEGURIDAD ELÉCTRICA

- **Herramientas a tierra deberán conectarse a un tomacorriente Las instalado correctamente y puesto a tierra de acuerdo con todos los códigos y ordenanzas. Nunca debe quitar el clavijero de tierra o modificar el enchufe de algún modo. No usar enchufes adaptadores. Infórmese con un electricista competente si duda que el tomacorriente esté adecuadamente puesto a tierra.** Si las herramientas funcionan mal eléctricamente, o fallan, la puesta a tierra provee una vía de resistencia baja que aparta del usuario la electricidad extraída. Sólo aplica a la Clase I herramientas (a tierra).
- **Las herramientas con doble aislamiento están equipadas con un enchufe polarizado (una clavija es más ancha que la otra.) Este enchufe encajará en un tomacorriente polarizado de una sola manera. Si el enchufe no encaja bien en el tomacorriente, invierta el enchufe. Si todavía no encaja, contacte a un electricista competente para que instale un tomacorriente polarizado. No cambie el enchufe.** El aislamiento doble elimina la necesidad de un cable eléctrico a tierra de tres alambres y un sistema de alimentación eléctrica puesto a tierra. Sólo aplica a la Clase II herramientas (aislamiento

doble). Los modelos DW367, DW368 y DW369 están provistos con doble aislamiento.

- **Evite que su cuerpo haga contacto con superficies a tierra tales como tuberías, radiadores, cocinas, y refrigeradoras.** Existe un mayor riesgo de electrochoque.
- **No exponga las herramientas eléctricas a la lluvia o condiciones húmedas.** La penetración de agua a una herramienta eléctrica incrementará el riesgo de electrochoque
- **No maltrate el cable. No lo use nunca para acarrear las herramientas o halar el enchufe de un tomacorriente. Mantenga el cable alejado del calor, aceite, bordes afilados o partes en movimiento. Reemplace inmediatamente los cables dañados.** Los cables dañados incrementan el riesgo de electrochoque.
- **Cuando opere una máquina herramienta a la intemperie, use un alargador diseñado para uso a la intemperie.** El uso de un alargador diseñado para uso a la intemperie reduce el riesgo de descarga eléctrica. Cuando use un alargador, asegúrese de usar uno de un calibre suficiente como para cargar con la corriente que requerirá su producto. Un alargador de menor calibre causará una caída en el voltaje de la línea lo que resultará en pérdida de potencia y sobrecalentamiento. El siguiente cuadro muestra el tamaño correcto a utilizar, dependiendo del largo del cable y el amperaje nominal. En caso de duda, utilice el de mayor calibre. Mientras menor el número del calibre, mayor la capacidad del cable.

Voltios	Calibre mínimo para juegos de cables			
	Largo total del cable en pies			
120V	0-25	26-50	51-100	101-150
240V	0-50	51-100	101-200	201-300
Amperaje nominal		AWG		
Más de	No más de			
12	16	14	12	No recomendado

SEGURIDAD PERSONAL

- **Manténgase alerta, observe lo que está haciendo y use sentido común al usar una herramienta eléctrica. No la use cuando esté cansado o bajo la influencia de drogas, alcohol, o medicinas.** Un instante de inatención mientras opera herramientas eléctricas puede resultar en serias lesiones personales.
- **Vístase adecuadamente. No utilice ropa floja o joyas. Cubra su cabello. Conserve su cabello, ropas y guantes alejados de las piezas móviles.** Las piezas de vestir flojas, las joyas y el cabello largo pueden resultar atrapados por las piezas móviles. Las rejillas de ventilación cubren partes móviles y también deben evitarse.
- **Evite un arranque accidental. Asegúrese de apagar la herramienta antes de enchufarla.** El cargar las herramientas con el dedo en el interruptor o enchufar herramientas que tienen el interruptor activado es una invitación a los accidentes.
- **Quite las llaves de ajuste antes de activar la herramienta.** Una llave que se deja anexada a una parte giratoria de la herramienta puede resultar en lesión personal.
- **No se extralimite. Mantenga la pisada firme y el balance apropiado todo el tiempo.** El pie bien afincado y el balance apropiado permite un mejor control de la herramienta en situaciones inesperadas.
- **Utilice equipo de seguridad. Use siempre protección para los ojos.** Se deberá usar máscara contra el polvo, calzado protector antirresbalante, casco, o protector de oído en las condiciones que los justifican.

USO Y CUIDADO DE HERRAMIENTAS

- **Utilice tornillos de banco u otra forma práctica para sujetar y apoyar la pieza de trabajo a una plataforma estable.** Sujetar la pieza manualmente o contra su cuerpo es inestable y puede llevar a la pérdida de control.

- **No fuerce la herramienta. Use la herramienta correcta para la aplicación.** La herramienta correcta hará una labor mejor y más segura, con la energía nominal para la cual fue diseñada.
- **No use la herramienta si el interruptor no prende y apaga.** La herramienta que no se puede controlar con el interruptor es peligrosa y debe ser reparada.
- **Desconecte el enchufe de la toma de corriente antes de efectuar cualquier ajuste, cambio de accesorios, o guardar la herramienta.** Estas medidas de seguridad preventivas reducen el riesgo a que la herramienta arranque accidentalmente.
- **Mantenga herramientas que no estén en uso fuera del alcance de los niños y otras personas no entrenadas.** Las herramientas son peligrosas en manos de usuarios no entrenados.
- **Las herramientas deben recibir un mantenimiento cuidadoso. Mantenga las herramientas para corte afiladas y limpias.** Las herramientas bien cuidadas con bordes de corte afilados son menos susceptibles a trabarse y más fáciles de controlar.
- **Revise si hay desalineación o traba en las partes móviles, partes rotas u otra condición que pueda afectar la operación de la herramienta. De estar dañada, dar servicio a la misma antes de utilizarla.** Muchas veces la causa de accidentes se debe a herramientas con poco mantenimiento.
- **Use solamente los accesorios que el fabricante recomienda para su modelo.** Los accesorios adecuados para una herramienta, pueden resultar peligrosos cuando se usa en otra.

SERVICIO

- **El servicio a la herramienta debe ser realizado por personal de reparación calificado únicamente.** El servicio o mantenimiento efectuado por personal no calificado puede entrañar un riesgo o lesión.
- **Al dar servicio a la herramienta, use sólo piezas de repuesto idénticas. Siga las instrucciones contenidas en la sección Mantenimiento de este manual.** El uso de repuestos no autorizados o el no cumplir con las instrucciones de Mantenimiento puede crear el riesgo de electrochoque o lesión.

Instrucciones de seguridad adicionales específicas para sierras circulares

⚠ **¡ADVERTENCIA!** Mantenga las manos alejadas del área de corte y de la hoja. Mantenga la otra mano sobre el mango auxiliar o la caja del motor. Sujete la sierra con ambas manos para protegerlas de la hoja.

⚠ **¡ADVERTENCIA:** Las hojas continúan girando aún después de haber apagado la herramienta.

- **Mantenga el cuerpo a uno u otro lado de la hoja pero nunca enfrente de la hoja,** la tensión de retroceso podría hacer que la sierra rebote hacia atrás. (Consulte **Rebote y medidas preventivas y Efecto de Rebote**).
- **No meta las manos debajo de la pieza de trabajo;** la guarda no alcanza a protegerle hasta allí.
- **Antes de cada uso, revise que la guarda inferior esté bien cerrada. No accione la sierra si la guarda no se mueve libremente ni cierra al instante. Nunca sujete la guarda inferior en posición abierta.** Si la sierra se llegase a caer accidentalmente, la guarda inferior se podría doblar. Levante la guarda inferior por el mango retráctil y asegúrese que ésta se mueva libremente y que no entre en contacto con la hoja ni demás partes a cualquier ángulo y profundidad de corte.
- **Revise la condición y el funcionamiento del resorte de la guarda inferior. Si la guarda y el resorte no están funcionando adecuadamente se deberán reparar antes de**

- utilizar la herramienta.** La guarda inferior puede funcionar de manera lenta debido a partes defectuosas, depósitos pegajosos o acumulación de residuos.
- **La guarda inferior se debe retraer manualmente sólo para realizar cortes especiales, como los cortes internos o los compuestos. Levante la guarda inferior por el mango retráctil. Tan pronto como la hoja penetre el material de trabajo, suelte la guarda inferior.** Para cualquier otra aplicación de corte, la guarda inferior deberá funcionar automáticamente.
 - **Antes de colocar la sierra en un banco o en el piso, asegúrese siempre que la guarda inferior esté cubriendo la hoja.** Una hoja libre, sin protección hace que la sierra retroceda y corte todo a su paso. Esté consciente del tiempo que se demora la hoja en detenerse una vez que se suelta el interruptor.
 - **NUNCA sostenga la pieza de trabajo en sus manos o sobre sus piernas.** Es importante soportar la pieza de trabajo debidamente para minimizar la exposición del cuerpo, el trabado de la hoja o la pérdida de control.
 - **Sujete la herramienta por las superficies aisladas; si la herramienta entra en contacto con cualquier alambre oculto o con el cable de la misma sierra,** el contacto con un alambre de tensión hará que las partes metálicas de la herramienta transmitan una descarga eléctrica al usuario.
 - **Cuando realice cortes transversales o al hilo utilice siempre la guía de corte apropiada;** esto mejora la precisión del corte y previene que la hoja se trabe.
 - **Siempre utilice hojas con eje de forma y tamaño apropiado (circular o romboide).** Las hojas que no coinciden con la cerrajería de montaje de la sierra funcionan de manera excéntrica y producen pérdida de control de la herramienta.
 - **Nunca utilice hojas, arandelas ni tornillos inapropiados ni defectuosos.** Las arandelas y los tornillos de la hoja han sido diseñados específicamente para la sierra a fin de brindar óptimo rendimiento y seguridad de operación.
 - **Evite el corte de clavos.** Revise y retire cualquier clavo antes de cortar una pieza de Madera.
 - **No haga funcionar esta herramienta durante períodos prolongados.** La vibración que produce el funcionamiento de esta herramienta puede provocar lesiones permanentes en dedos, manos y brazos. Use guantes para proveer amortiguación adicional, tome descansos frecuentes y limite el tiempo diario de uso.

REBOTE Y MEDIDAS PREVENTIVAS

- **El rebote es una reacción repentina de la herramienta debido a una hoja apretada, trabada o mal alineada que hace que la sierra salte hacia arriba y se desprenda del material de trabajo en dirección al operario.**
- **Si la hoja se pega al material de trabajo mientras se realiza un corte, la hoja se traba y la reacción del motor hace que la herramienta rebote repentinamente hacia atrás contra el operario.**
- **Si la hoja de la sierra se tuerce o se desalinea durante el corte, los dientes del borde trasero de la hoja podrían penetrar la parte superior de la madera y hacer que la hoja suba y salte bruscamente hacia el usuario.**
- **El rebote es el resultado del mal uso de la herramienta o de la operación o condiciones inapropiadas y se puede evitar siguiendo las siguientes medidas preventivas:**
- **Sujete la sierra firmemente con ambas manos manteniendo una postura que le permita al cuerpo y al brazo resistir la fuerza del rebote.** El rebote puede ser controlado por el usuario siempre que tome las medidas de precaución necesarias.
- **Cuando una hoja se trabe o cuando interrumpa un corte por cualquier razón, suelte el gatillo y sostenga la sierra inmóvil**

- en el material de trabajo hasta que la hoja se haya detenido por completo. Nunca trate de retirar la sierra de la pieza de trabajo ni la hale hacia atrás mientras la hoja esté aún en movimiento. Esto podría ocasionar rebote. Revise la pieza de trabajo para determinar la causa del problema y corregirlo.**
- **Cuando inicie un corte ya en marcha, centre la hoja de la sierra en la línea de corte y asegúrese que los dientes de la hoja no estén enganchados en el material de trabajo.** Si la hoja de la sierra se encuentra atascada, ésta podría subir y rebotar al poner en marcha la herramienta.
 - **Apoye los paneles grandes a fin de reducir el riesgo de que la hoja se trabe y produzca rebote.** Los paneles grandes tienden a hundirse del centro debido al mismo peso. Coloque soportes debajo del panel por ambos costados y cerca de la línea de corte y el borde del panel.
 - **No utilice hojas desafiladas ni en mal estado.** Las hojas sin filo o mal instaladas producen cortes estrechos que podrían causar fricción excesiva, ligadura y rebote.
 - **La palanca de ajuste de profundidad y la de regulación del ángulo de bisel deberán estar apretadas y seguras antes de cualquier aplicación.** Si los ajustes de la hoja se desplazan durante el corte, podría producirse un REBOTE.
 - **Preste mucha atención cuando realice cortes "internos" en paredes existentes o en otras áreas difíciles de ver.** La hoja puede cortar objetos que pueden ocasionar un rebote.
- ⚠️ ADVERTENCIA:** Parte del polvo generado al lijar, serrar, esmerilar o taladrar, así como al realizar otras actividades del sector de la construcción, contienen productos químicos que pueden producir cáncer, defectos congénitos u otras afecciones reproductivas. Ejemplos de esas sustancias químicas son:
- plomo procedente de pinturas basadas en plomo,

- óxido de silicio cristalino procedente de ladrillos, cemento y otros productos de mampostería, y
- arsénico y cromo procedentes de madera tratada químicamente (CCA).

El peligro derivado de estas exposiciones que usted enfrente varía en función de la frecuencia con que se realice este tipo de trabajo. Para reducir la exposición a esas sustancias químicas: trabaje en una zona bien ventilada y llevando equipos de seguridad aprobados, como mascarillas antipolvo especialmente diseñadas para filtrar partículas microscópicas.

- **Evite el contacto prolongado con el polvo procedente del lijado, serrado, esmerilado y taladrado eléctricos, así como de otras actividades del sector de la construcción. Lleve ropa protectora y lave con agua y jabón las zonas expuestas.** Si permite que el polvo se introduzca en la boca u ojos o quede sobre la piel, puede favorecer la absorción de productos químicos peligrosos.

⚠️ ADVERTENCIA: Toda persona que entre al área de trabajo deberá usar una máscara antipolvo o protección respiratoria. El filtro debería ser reemplazado a diario o cuando el usuario tenga dificultad para respirar. Puede encontrar la máscara antipolvo apropiada aprobada por NIOSH/OSHA en su ferretería local.

⚠️ ADVERTENCIA: SIEMPRE USE ANTEOJOS DE SEGURIDAD. Los anteojos de uso diario NO son anteojos de seguridad. Utilice también máscaras faciales o para polvo si el corte produce polvillo. **UTILICE SIEMPRE EQUIPO DE SEGURIDAD CERTIFICADO:**

- Protección para la vista según la norma ANSI Z87.1 (CAN/CSA Z94.3),
- Protección auditiva según la norma ANSI S12.6 (S3.19),
- Protección respiratoria según las normas NIOSH/OSHA.

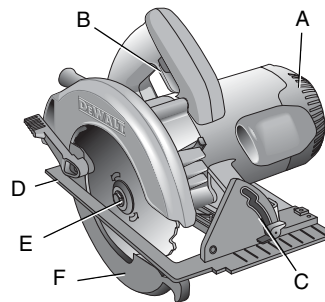
⚠ADVERTENCIA: A fin de prevenir un choque eléctrico, cuando realice un corte en una pared, piso o dondequiera que pueda haber cables eléctricos bajo tensión, si llegase a cortar un cable vivo, sujete la herramienta únicamente por los mangos con aislamiento ¡NO TOQUE NINGUNA PARTE METÁLICA DE LA HERRAMIENTA!

- La etiqueta de su herramienta puede incluir los siguientes símbolos. Los símbolos y sus definiciones son los siguientes:

V..... voltios	A amperios
Hz..... hertz	W vatios
min minutos	~ corriente alterna
== corriente directa	⎓ corriente alterna o directa
Ⓜ Construcción Clase I (con conexión a tierra)	n _o velocidad sin carga
Ⓜ Construcción Clase II (con aislamiento doble)	⊕ terminal a tierra
RPM.... revoluciones o reciprocidad por minuto	⚠ símbolo de alerta de seguridad
BPM.... golpes por minuto	.../min... por minuto

Características

- A. Cubierta extrema
- B. Interruptor de gatillo
- C. Dispositivo de regulación
- D. Zapata
- E. Tornillo de fijación de la hoja
- F. Protector inferior de la hoja del ángulo de bisel



Motor

Su herramienta está accionada por un motor DEWALT. Asegúrese que el cable de alimentación corresponda a las especificaciones de la placa. 120 V CA/DC significa que la herramienta podrá funcionar con corriente alterna o continua. Una baja de tensión menor de un 10% puede ocasionar pérdida de potencia o sobrecalentamiento. Todas las herramientas DEWALT son revisadas y sometidas a prueba en fábrica; si ésta herramienta no funciona bien, revise la intensidad nominal del cable de alimentación.

Cambio de hojas

⚠ADVERTENCIA: Para reducir el riesgo de lesiones personales graves, apague la herramienta y desconéctela de la fuente de energía antes de realizar ajustes o de retirar o instalar cualquier dispositivo o accesorio.

PARA INSTALAR LA HOJA (FIG. 1-4)

1. Coloque la arandela de fijación interior (G) en el eje de la sierra con la superficie grande y plana mirando hacia la parte de afuera de la hoja.
2. Repliegue el protector inferior de la hoja (F) y ponga la hoja en el eje de la sierra contra la arandela de fijación interior, asegurando que la hoja rote en la dirección correcta (la flecha de rotación en la hoja y los dientes de la sierra debe apuntar en la misma dirección que la flecha de rotación de la sierra). No suponga que la parte impresa de la hoja tenga que estar mirando hacia afuera cuando esté debidamente instalada. Cuando repliegue el protector inferior de la hoja para instalar la hoja, revise la condición y operación del protector inferior de la hoja para asegurar que esté funcionando bien. Asegúrese que se mueva libremente y que no toque la hoja ni cualquiera otra parte de la sierra, en todos los ángulos y profundidades de corte.

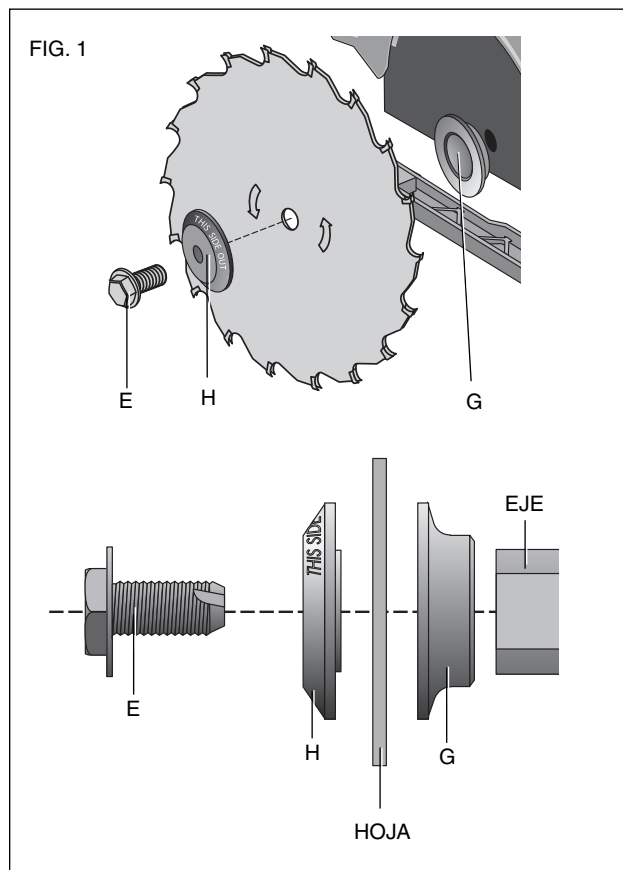


FIG. 2

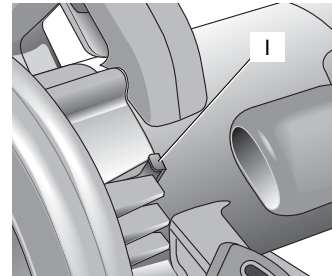
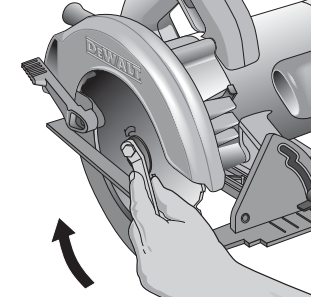


FIG. 3

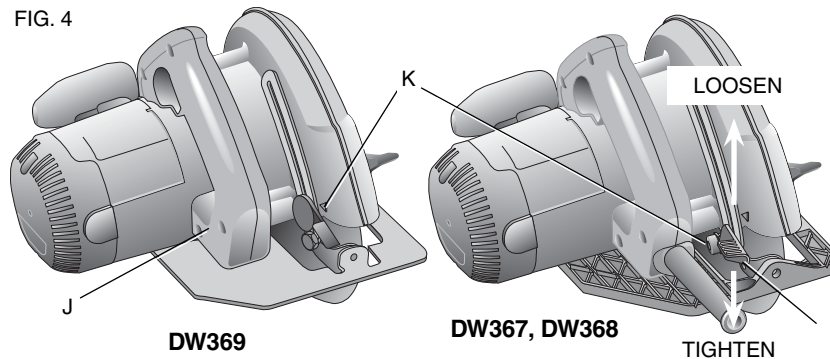


3. Coloque la arandela de fijación exterior (H) en el eje de la sierra con la superficie grande y plana contra la hoja y con la parte impresa de la arandela de fijación exterior mirando hacia usted.
4. Inserte el tornillo de fijación de la hoja (E) en el eje de la sierra con la mano (el tornillo tiene hilos en dirección derecho y debe ser girado en dirección a las manillas del reloj para ser ajustado).
5. Presione el dispositivo de bloqueo de la hoja (I) al girar el eje de la sierra con la llave de la hoja hasta que el dispositivo de bloqueo de la hoja enganche y la hoja deje de rotar.
6. Ajuste bien el tornillo de fijación de la hoja con la llave de la hoja.

NOTA: Nunca enganche el dispositivo de bloqueo de la hoja con la sierra andando ni trate de bloquear la hoja para detener la herramienta. Nunca encienda la sierra mientras el bloqueo de la hoja esté enganchado. Podría resultar en serios daños a su sierra.

PARA CAMBIAR LA HOJA

1. Para soltar el tornillo de fijación de la hoja (E), presione el dispositivo de bloqueo de la hoja (I) y gire el eje de la sierra con



la llave de la hoja hasta que el bloqueo de la hoja enganche y la hoja deje de rotar. Con el bloqueo de la hoja enganchado, gire el tornillo de fijación de la hoja en dirección contraria de las manillas del reloj con la llave de la hoja (el tornillo tiene hilos en dirección derecho y debe ser girado en dirección contraria de las manillas del reloj para ser aflojado).

- Quite sólo el tornillo de fijación de la hoja (E) y la arandela de fijación exterior (H). Quite la hoja vieja.
- Limpié el aserrín que se haya acumulado en el protector o el área de la arandela de fijación y revise la condición y funcionamiento del protector inferior de la hoja como se describe más arriba. No lubrique esta área.
- Seleccione la hoja correcta para la aplicación (vea **Hojas**). Siempre use hojas que sean del tamaño correcto (diámetro) con el orificio central del tamaño y la forma apropiados para el montaje en el eje de la sierra. Siempre asegure que la hoja de la sierra alcance o supere la velocidad máxima recomendada (rpm) de la sierra.

- Siga los pasos 2 a 6 bajo **Cómo instalar la hoja**, asegurándose que la hoja gire en la dirección correcta.

PROTECTOR INFERIOR DE LA HOJA

⚠ADVERTENCIA: *El protector inferior de la hoja es un rasgo de seguridad que reduce el riesgo de lesiones personales serias. Nunca use la sierra si el protector inferior se ha desprendido, dañado, ha sido mal instalado o no está funcionando debidamente. No se fíe del protector inferior de la hoja para que le proteja en toda circunstancia. Su seguridad depende de su cumplimiento con todas las advertencias y precauciones como también del funcionamiento debido de la sierra. Revise el protector inferior para asegurarse que cierre bien antes de cada uso, como se describe en 'Normas adicionales para sierras circulares'. Si el protector inferior de la hoja se ha desprendido o no funciona bien, repare la sierra antes de usarla. La reparación, el mantenimiento y los ajustes al producto deberían ser realizados por un centro de servicio*

autorizado u otra organización de servicio calificada, usando siempre repuestos originales, para asegurar la seguridad y fiabilidad del producto.

FIG. 5

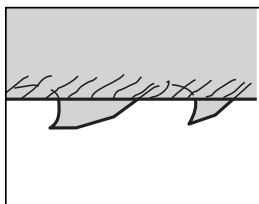
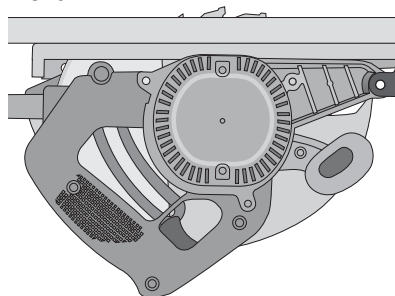


FIG. 6



Regulación de la profundidad de corte (Fig. 5, 6)

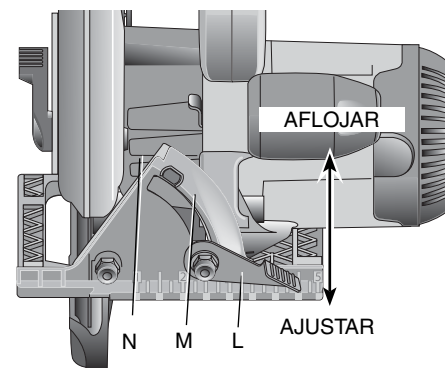
⚠ ADVERTENCIA: Para reducir el riesgo de lesiones personales graves, apague la herramienta y desconéctela de la fuente de energía antes de realizar ajustes o de retirar o instalar cualquier dispositivo o accesorio.

1. Sujete la sierra firmemente y levante el ajuste de profundidad (J), para aflojar y mover la zapata a fin de obtener la profundidad de corte deseada según la ilustración. Asegúrese de apretar (bajar) bien la palanca antes de hacer funcionar la herramienta.
2. La sierra cuenta con una hoja con punta de carburo para mayor vida útil de la hoja y precisión de corte.
3. El fijar la sierra al ajuste de profundidad de corte apropiado permite reducir a un mínimo la fricción de la hoja, la acumulación de aserrín entre los dientes de la hoja, reduce el calor y produce un corte rápido con menos riesgo de rebote. Regule la profundidad

alineando la marca en la banda de ajuste de profundidad con el triángulo en la parte superior de la guarda (K).

4. Para mayor eficiencia de corte con una hoja de punta de carburo, regule la profundidad de manera que la mitad de la altura del diente se proyecte por debajo de la superficie de la madera a cortar.
5. La figura 6 ilustra un método para determinar la profundidad de corte apropiada. Coloque el material a lo largo de la hoja tal como aparece en la ilustración y verifique y observe que tanto se proyectan los dientes más allá del material de trabajo.

FIG. 7



Regulación del ángulo de bisel (Fig. 7, 8)

⚠ ADVERTENCIA: Para reducir el riesgo de lesiones personales graves, apague la herramienta y desconéctela de la fuente de energía antes de realizar ajustes o de retirar o instalar cualquier dispositivo o accesorio.

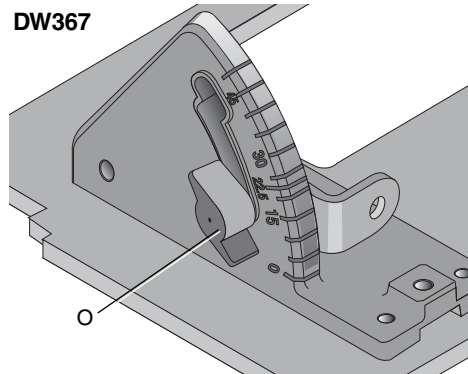
El margen total de ajuste del bisel de la unidad DW367 oscila entre 0° y 50°. El soporte giratorio está graduado en incrementos de 5°.

En las unidades DW368 y DW369, el margen total de ajuste del bisel oscila entre 0° y 56°. El soporte giratorio está graduado en incrementos de 1°.

En el frente de la sierra, hay un mecanismo para regular el ángulo del bisel (M) que consta de un cuadrante con un indicador (N) y una palanca (L).

1. Para configurar la sierra a fin de realizar un corte biselado, levante la palanca (L) o gire la perilla (O) para aflojar el ajuste del bisel.
2. Alinee el indicador con la marca del ángulo deseado en el soporte giratorio e incline la zapata hasta alcanzar dicho ángulo.
3. Para volver a ajustar el ajuste del bisel, baje la palanca o gire la perilla.

FIG. 8 DW367

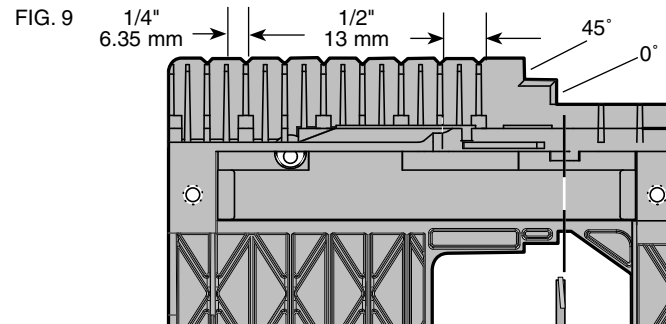


Dispositivo de retén (Fig. 7, 8)

⚠ ADVERTENCIA: Para reducir el riesgo de lesiones personales graves, apague la herramienta y desconéctela de la fuente de energía antes de realizar ajustes o de retirar o instalar cualquier dispositivo o accesorio.

La unidad DW367 tiene un tope de bisel a 45°. Para configurar el bisel en un ángulo mayor de 45°, incline la zapata a 45° y luego deslice la perilla y el perno en la ranura superior. Cuando alcance el ángulo deseado, ajuste la perilla.

Las DW368 y los DW369 se equipan con un dispositivo de retén. A medida se inclina la zapata se escuchará un clic y sentirá cuando la zapata se detiene a los 22.5 y a los 45 grados. Si uno de éstos es el ángulo deseado, baje la palanca para apretarla de nuevo. Si desea otro ángulo, continúe inclinando la zapata hasta que el indicador coincida con la marca deseada.



Indicador de corte (Fig. 9)

La parte frontal de la zapata tiene un indicador para los cortes verticales y en bisel. Este indicador le permite guiar la sierra a lo largo de la línea trazada en el material de trabajo. El indicador se

alinea con el costado izquierdo (interior) de la hoja de la sierra, que forma la ranura o corte haciendo caer la hoja hacia la derecha del indicador. El espaciamiento entre las nervaduras al frente de las zapatas DW368, DW369 miden 6.35 mm (1/4 pulgada) y las ranuras se encuentran a intervalos de 13 mm (1/2 pulgada).

FUNCIONAMIENTO

⚠ ADVERTENCIA: Para reducir el riesgo de lesiones personales graves, apague la herramienta y desconéctela de la fuente de energía antes de realizar ajustes o de retirar o instalar cualquier dispositivo o accesorio.

Interruptor (Fig. 1)

Hale el interruptor de gatillo (B) para encender el motor y suéltelo para apagar. El gatillo de esta herramienta no cuenta con un dispositivo diseñado para que el interruptor permanezca en marcha y por consiguiente, la herramienta jamás deberá permanecer con el interruptor encendido.

Como apoyar la pieza de trabajo

Las figuras 10 y 12 son ilustraciones de la manera correcta de cortar mientras que las figuras 11 y 13 son ilustraciones de posiciones de peligro. Las manos se deben mantener alejadas del área de corte al igual que el cable de alimentación de manera que no se trabe ni se enrede en la pieza de trabajo.

Para evitar el efecto de rebote, APOYE la tabla o el panel CERCA del área de corte (figura 10 y 12), JAMAS alejado (figura 11 y 13). Cuando utilice la sierra, asegúrese de mantener el cable de alimentación alejado del área de corte de manera que no se trabe ni se enrede en la pieza de trabajo.

⚠ ADVERTENCIA: Es importante apoyar el material de trabajo apropiadamente y sujetar la sierra firmemente a fin de no perder el control y golpearse; la figura 12 ilustra la manera correcta de sujetar la sierra.

¡SIEMPRE DESCONECTE LA SIERRA ANTES DE REALIZAR CUALQUIER AJUSTE! Coloque el material de trabajo con el lado bueno (aquel cuya apariencia es más importante) hacia abajo. La sierra corta hacia arriba de manera que las astillas permanecen en la superficie del material de trabajo.

FIG. 10

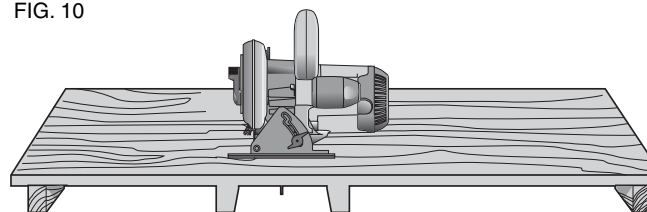
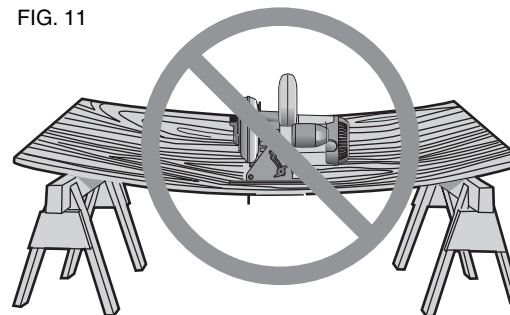


FIG. 11



Corte

Apoye la pieza de trabajo de manera que el material sobrante caiga a su derecha. Coloque la parte más ancha de la zapata de la sierra sobre el material de trabajo que está apoyado sólidamente y no sobre la parte que se desprenderá una vez realizado el corte.

Por ejemplo, en la figura 12 aparece la manera CORRECTA de cortar el extremo de una tabla y en la figura 13 aparece la manera INCORRECTA. Fije siempre el material de trabajo. ¡Nunca sujete las piezas cortas con las manos! Recuerde de apoyar siempre el material saliente o voladizo y tenga cuidado al cortar material desde abajo.

FIG. 12

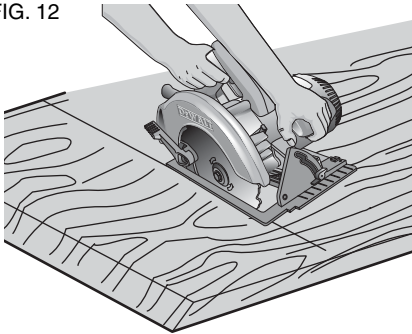
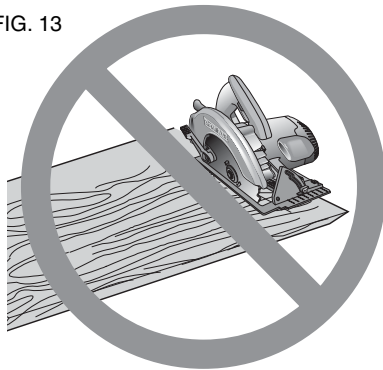


FIG. 13



Asegúrese que la sierra haya alcanzado la velocidad máxima antes de que la hoja entre en contacto con el material de trabajo a fin de evitar que la herramienta rebote.

Empuje la sierra hacia adelante a una velocidad que le permita realizar el corte sin esfuerzo. La dureza y la resistencia del material pueden variar inclusive en la misma pieza y las secciones húmedas o con nudos pueden sobrecargar la herramienta. Cuando esto suceda, empuje la sierra lentamente pero con suficiente fuerza para que continúe trabajando sin tener que reducir la velocidad. Empuje la sierra hacia adelante a una velocidad que le permita a la hoja cortar sin mucho esfuerzo.

Efecto de Rebote

El efecto de rebote se produce cuando la hoja se traba o se tuerce y la sierra es propulsada hacia atrás contra el operario. Cuando la hoja se pega o se traba debido a que el corte se cierra, la hoja se atasca y hace rebotar la herramienta hacia atrás. Si la hoja se tuerce o se desalinea, los dientes traseros se pueden trabar en la superficie superior de la madera y hacer que la sierra rebote hacia el operario.

El efecto de rebote es más probable debido a las siguientes condiciones:

1. SOPORTES INADECUADOS DE LA PIEZA DE TRABAJO

- A. La flexión o elevación inapropiada del material una vez cortado puede hacer que la hoja se trabe y rebote hacia atrás (figure 11).
- B. El corte de material que ha sido apoyado tan sólo a los extremos. En la medida que el material se debilita, éste se deforma cerrando así el corte y pellizcando la hoja.
- C. El corte vertical de una pieza de trabajo voladiza o colgante puede ocasionar rebote; la porción del material que cae puede pellizcar la hoja.

- D. El corte de tiras largas (como en los cortes al hilo) pueden producir rebote; la tira ya cortada se puede pandear o torcer, cerrando el corte de tal manera que la hoja se obstruye.
- E. Si la guarda inferior se engancha en el material de corte, el operario pierde el control de la herramienta momentáneamente. La sierra puede salirse parcialmente del corte aumentando el riesgo de torcer la hoja.

2. REGULACIÓN INAPROPIADA DE PROFUNDIDAD

A fin de lograr cortes eficientes, asegúrese que se proyecte la mitad de la altura del diente tal como aparece en la figura 5. Esto permite que la zapata apoye la hoja reduciendo a un mínimo que la hoja se trabe en el material de trabajo. Consulte la sección **Regulación de la profundidad de corte**.

3. TORSIÓN DE LA HOJA (MAL ALINEAMIENTO DE LA HOJA)

La hoja se puede torcer:

- A. Si aplica presión excesiva para cortar clavos, nudos o material de grano duro.
- B. Si trata de reorientar el corte (a fin de regresar a la línea trazada)
- C. Si se extralimita y hace funcionar la sierra con mala postura y pierde el equilibrio.
- D. Si cambia de mano o cambia de posición mientras realiza un corte.
- E. Si retrocede la sierra para limpiar la hoja.

4. MATERIALES QUE EXIGEN CUIDADO ESPECIAL

- A. Madera húmeda
- B. Madera verde (material recién cortado no secado al horno)
- C. Madera tratada a presión (material tratado con preservativos o químicos anti-putrefacción).

5. HOJAS DESAFILADAS O SUCIAS

Las hojas desafiladas aumentan el exceso de carga sobre la sierra. Para compensar, el operario tiende a empujar la herramienta con mayor fuerza ocasionando a veces torsión de la hoja adentro del corte. Las hojas desgastadas no cuentan con la holgura apropiada y se pueden trabar y sobrecargar la herramienta.

6. ELEVACIÓN DE LA SIERRA PARA REALIZAR CORTES EN BISEL

La técnica apropiada de los cortes en bisel exige cuidado especial por parte del operario, especialmente para guiar la sierra. Tanto el ángulo de la zapata como el contacto mayor de la hoja con el material de trabajo, aumenta la posibilidad de obstrucción y mal alineamiento (torsión).

7. COMO REINICIAR UN CORTE CUANDO LOS DIENTES DE LA HOJA ESTÁN TRABADOS EN EL MATERIAL DE TRABAJO

A fin de evitar la interrupción del motor o que la sierra rebote, asegúrese que la herramienta haya alcanzado la velocidad máxima antes de dar inicio o de reiniciar un corte.

Toda otra condición que pueda provocar que la hoja se pellizque, trabe, tuerza o que pueda afectar su alineación, puede ocasionar el retroceso de la hoja. Consulte las secciones **Instrucciones de seguridad adicionales** y **Funcionamiento** para conocer los procedimientos y las técnicas que minimizarán la ocurrencia del retroceso.

MANTENIMIENTO

⚠ ADVERTENCIA: *Para reducir el riesgo de lesiones personales graves, apague la herramienta y desconéctela de la fuente de energía antes de realizar ajustes o de retirar o instalar cualquier dispositivo o accesorio.*

Limpieza

⚠ADVERTENCIA: *Sople la suciedad y el polvo de todos los conductos de ventilación con aire seco, al menos una vez por semana. Para reducir el riesgo de lesiones, utilice siempre protección para los ojos aprobada ANSI Z87.1 al realizar esta tarea.*

⚠ADVERTENCIA: *Nunca utilice solventes ni otros químicos abrasivos para limpiar las piezas no metálicas de la herramienta. Estos productos químicos pueden debilitar los materiales plásticos utilizados en estas piezas. Utilice un paño humedecido sólo con agua y jabón neutro. Nunca permita que penetre líquido dentro de la herramienta ni sumerja ninguna de las piezas en un líquido.*

Lubricación

Los rodamientos de bolas y rodillos de la herramienta son autolubrificantes y no requieren lubricación adicional. Sin embargo, se recomienda que una vez al año lleve o envíe la herramienta a un centro de servicio para la limpieza, inspección y lubricación de la caja de engranajes.

Freno Eléctrico (Modelo DW369 solamente)

La sierra tiene un freno eléctrico diseñado para detener la hoja automáticamente en espacio de dos segundos después de haberse soltado el interruptor de gatillo. Este dispositivo resulta útil en ciertos cortes de madera cuando una hoja produce un corte grande e impreciso.

En ciertas ocasiones es posible que el freno no funcione adecuadamente y no detenga la hoja en el espacio de dos segundos mencionado anteriormente. En este caso, encienda y apague la sierra cuatro o cinco veces. Si aún así la sierra no detiene el disco en dos segundos, el problema puede atribuirse al desgaste de las

escobillas y habrá que reemplazarlas siguiendo las instrucciones a continuación. Si el problema persiste, lleve la herramienta a un centro de servicio autorizado DEWALT.

Reparaciones

Para asegurar la SEGURIDAD y la CONFIABILIDAD del producto, las reparaciones, el mantenimiento y los ajustes deben ser realizados en un centro de mantenimiento en la fábrica DEWALT, en un centro de mantenimiento autorizado DEWALT u por otro personal de mantenimiento calificado. Utilice siempre piezas de repuesto idénticas. (Consulte **Escobillas** para más información sobre el reemplazo de las escobillas).

Escobillas

⚠ADVERTENCIA: *Para reducir el riesgo de lesiones personales graves, apague la herramienta y desconéctela de la fuente de energía antes de realizar ajustes o de retirar o instalar cualquier dispositivo o accesorio.*

Revise con regularidad las escobillas de carbón. Para hacerlo, desconecte la herramienta, retire la cubierta extrema y retire el conjunto escobillas. Mantenga las escobillas limpias de manera que puedan deslizar libremente en sus guías. Antes de reemplazar las escobillas observe la posición en que se encuentra a fin de instalarlas de la misma manera. Las escobillas de carbón traen diversos símbolos estampados a los lados; si se encuentran desgastadas hasta la línea más cercana al resorte, se deberán ser reemplazadas. Utilice solamente escobillas idénticas DEWALT. Los conjuntos de escobillas están a la venta en los centros de servicio locales. Instale siempre la cubierta extrema después de revisar o de darle mantenimiento a las escobillas. A fin de asentar las escobillas, permita que la herramienta funcione libremente (sin carga ni hoja) por 5 minutos.

Durante el rodaje de las escobillas NO ASEGURE EL INTERRUPTOR DE GATILLO EN POSICIÓN DE ENCENDIDO CON CUERDA, CINTA ADHESIVA NI UTILICE NINGÚN OTRO MÉTODO DE BLOQUEO. Utilice la mano únicamente para sostener el gatillo.

Regulación de la zapata

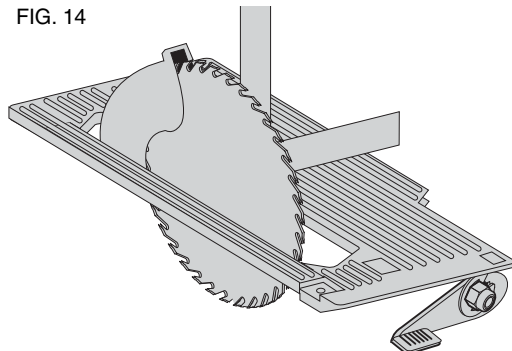
⚠ ADVERTENCIA: Para reducir el riesgo de lesiones personales graves, apague la herramienta y desconéctela de la fuente de energía antes de realizar ajustes o de retirar o instalar cualquier dispositivo o accesorio.

La zapata ha sido regulada en fábrica a fin de asegurar que la hoja esté perpendicular a la zapata. Si después del uso prolongado, es necesario realinear la hoja, siga los siguientes pasos:

REGULACIÓN DE CORTES A 90°

1. Regule la sierra a un ángulo de bisel de 0°.
2. Coloque la sierra de lado y retraiga la guarda inferior.
3. Afloje la palanca de regulación del ángulo de bisel. Coloque una escuadra contra la zapata y la hoja según la figura 14.

FIG. 14



4. Con la ayuda de una llave hexagonal, gire el tornillo de fijación de la parte inferior de la zapata hasta que la hoja y la zapata se encuentren a nivel con la escuadra. Apriete nuevamente la palanca del ángulo de bisel.

REGULACIÓN DE LA PALANCA DE AJUSTE DE PROFUNDIDAD Y LA PALANCA DE AJUSTE DEL BISEL

Es posible que desee ajustar la palanca de ajuste de profundidad o la palanca de ajuste del bisel. Con el tiempo, se pueden aflojar y golpear la zapata antes de que se las ajuste. Para ajustar las palancas, siga los pasos a continuación.

REGULACIÓN DE LA PALANCA DE AJUSTE DEL BISEL (DW368, DW369)

NOTA: Las siguientes instrucciones para ajustar la palanca también se aplican a los modelos DW367 y DW368.

1. Con la ayuda de un atornillador pequeño, retire el anillo de seguridad.
2. Retire la palanca y gírela aproximadamente 1/8 de revolución en la dirección deseada.
3. Instale nuevamente el anillo de seguridad con el lado cóncavo hacia la palanca.

COMO AJUSTAR LA PALANCA DE REGULACIÓN DE PROFUNDIDAD (MODELO DW369 SOLAMENTE)

1. Afloje el tornillo que asegura la palanca de regulación de profundidad.
2. Retire la palanca y gírela aproximadamente 1/8 de revolución a la posición deseada.
3. Apriete el tornillo de la palanca.

Hojas

Las hojas desafiladas producen cortes lentos e ineficientes, sobrecargan el motor de la sierra, astillan el material de trabajo y aumentan el riesgo de rebote. Cambie la hoja cuando se le dificulte empujar la sierra a lo largo del corte, cuando el motor esté sobrecargado o cuando la hoja se caliente excesivamente. Se recomienda tener hojas de repuesto a la disposición para el reemplazo inmediato de hojas afiladas.

Las hojas pueden ser reafiladas en la mayoría de los centros de servicio; consulte las páginas amarillas de la guía telefónica en la sección de afiladura de hojas.

La goma endurecida en la hoja se puede remover con queroseno, aguarrás e inclusive con algunos limpiadores. Las hojas de revestimiento antiadherente se pueden utilizar en los materiales de alta concentración de goma, como es el caso de la madera tratada a presión.

Accesorios

⚠ ADVERTENCIA: Debido a que no se han probado con este producto otros accesorios que no sean los que ofrece DEWALT, el uso de dichos accesorios con esta herramienta podría ser peligroso. Para reducir el riesgo de lesiones, con este producto deben usarse sólo los accesorios recomendados por DEWALT.

Los accesorios que se recomiendan para utilizar con la herramienta están disponibles a un costo adicional en su distribuidor local o en un centro de mantenimiento autorizado. Si necesita ayuda para localizar algún accesorio, póngase en contacto con DEWALT Industrial Tool Co., 701 East Joppa Road, Baltimore, MD 21286, llame al 1-800-4-DEWALT (1-800-433-9258) o visite nuestro sitio web www.dewalt.com.

NO UTILICE NINGÚN ACCESORIO ALIMENTADO POR AGUA CON ÉSTA HERRAMIENTA.

EXAMINE LAS HOJAS DE CARBURO ANTES DE UTILIZARLAS Y REEMPLACELAS SI PRESENTAN CUALQUIER DEFECTO.

TIPO DE HOJAS RECOMENDADAS

ENSAMBLAJE COMBINADO -

Árbol circular de 5/8"; 24 dientes

Hoja rápida de utilidad variada para cortes al hilo y transversales

MADERA TRATADA A PRESIÓN -

Árbol circular de 5/8"; 20 dientes

Hoja revestida resistente a la acumulación de goma

EXREMA DURABILIDAD -

Árbol circular de 5/8"; 18 dientes

Hoja de carburo tungsteno revestida

ACABADOS -

Árbol circular de 5/8"; 36 dientes

Más dientes para cortes de acabado fino.

ENSAMBLAJE POR CORTE RÁPIDO -

Árbol circular de 5/8"; 16 dientes

Hoja rápida para cortes al hilo y transversales.

Póliza de Garantía

IDENTIFICACIÓN DEL PRODUCTO:

Sello o firma del Distribuidor.

Nombre del producto: _____ Mod./Cat.: _____

Marca: _____ Núm. de serie: _____

(Datos para ser llenados por el distribuidor)

Fecha de compra y/o entrega del producto: _____

Nombre y domicilio del distribuidor donde se adquirió el producto:

Este producto está garantizado por un año a partir de la fecha de entrega, contra cualquier defecto en su funcionamiento, así como en materiales y mano de obra empleados para su fabricación. Nuestra garantía incluye la reparación o reposición del producto y/o componentes sin cargo alguno para el cliente, incluyendo mano de obra, así como los gastos de transportación razonablemente erogados derivados del cumplimiento de este certificado.

Para hacer efectiva esta garantía deberá presentar su herramienta y esta póliza sellada por el establecimiento comercial donde se adquirió el producto, de no contar con ésta, bastará la factura de compra.

EXCEPCIONES.

Esta garantía no será válida en los siguientes casos:

- Cuando el producto se hubiese utilizado en condiciones distintas a las normales;
- Cuando el producto no hubiese sido operado de acuerdo con el instructivo de uso que se acompaña;
- Cuando el producto hubiese sido alterado o reparado por personas distintas a las enlistadas al final de este certificado.

Anexo encontrará una relación de sucursales de servicio de fábrica, centros de servicio autorizados y franquiciados en la República Mexicana, donde podrá hacer efectiva su garantía y adquirir partes, refacciones y accesorios originales.

Garantía limitada por tres años

DEWALT reparará, sin cargo, cualquier falla que surja de defectos en el material o la fabricación del producto, por hasta tres años a contar de la fecha de compra. Esta garantía no cubre fallas de las piezas causadas por su desgaste normal o abuso a la herramienta. Para mayores detalles sobre la cobertura de la garantía e información acerca de reparaciones realizadas bajo garantía, visítenos en www.dewalt.com o diríjase al centro de servicio más cercano. Esta garantía no aplica a accesorios o a daños causados por reparaciones realizadas o intentadas por terceros. Esta garantía le otorga derechos legales específicos, además de los cuales puede tener otros dependiendo del estado o provincia en que se encuentre.

Además de la garantía, las herramientas DEWALT están cubiertas por:

1 AÑO DE SERVICIO GRATUITO

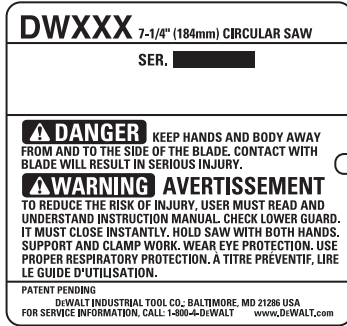
DEWALT mantendrá la herramienta y reemplazará las piezas gastadas por su uso normal, sin cobro, en cualquier momento durante un año a contar de la fecha de compra.

GARANTÍA DE REEMBOLSO DE SU DINERO POR 90 DÍAS

Si no está completamente satisfecho con el desempeño de su máquina herramienta, láser o clavadora DEWALT, cualquiera sea el motivo, podrá devolverlo hasta 90 días de la fecha de compra con su recibo y obtener el reembolso completo de su dinero – sin necesidad de responder a ninguna pregunta.

AMÉRICA LATINA: Esta garantía no se aplica a los productos que se venden en América Latina. Para los productos que se venden en América Latina, debe consultar la información de la garantía específica del país que viene en el empaque, llamar a la compañía local o visitar el sitio Web a fin de obtener esa información.

REEMPLAZO GRATUITO DE ETIQUETAS: Si las etiquetas de advertencia de la herramienta se tornan ilegibles o se extravían, llame al 1-800-4-DEWALT para solicitar etiquetas de reemplazo gratuito.



⚠ PELIGRO: MANTENGA LAS MANOS Y EL CUERPO ALEJADOS Y HACIA EL COSTADO DEL DISCO. CUALQUIER CONTACTO CON EL DISCO PUEDE RESULTAR EN LESIONES SERIAS.
⚠ ADVERTENCIA: PARA DISMINUIR EL RIESGO DE LESIONES, EL USUARIO DEBERÁ LEER Y COMPRENDER EL MANUAL DE INSTRUCCIONES. INSPECCIONE LA GUARDA INFERIOR. LA GUARDA DEBE DE CERRAR INSTANTANEAMENTE. UTILICE DISCOS DE 184 mm (7 1/8 pulg) SOLAMENTE. UTILICE SOLAMENTE PIEZAS DE REPUESTO IDENTICAS. SIEMPRE SE DEBERÁ LLEVAR LA PROTECCIÓN APROPIADA PARA LA VISTA Y PARA LAS VIAS RESPIRATORIAS.

⚠ DANGER: ELOIGNER LES MAINS ET LE CORPS DU DEVANT DE LA LAME ET LES LAISSER SUR LE COTE DE CELLE-CI. LE CONTACT AVEC LA LAME CAUSE DE GRAVES BLESSURES.
⚠ AVERTISSEMENT: AFIN DE MINIMISER LES RISQUES DE BLESSURES, L'UTILISATEUR DOIT LIRE ET COMPRENDRE LE GUIDE D'UTILISATION, VERIFIER LE PROTECTEUR INFERIEUR, CE DERNIER DOIT SE REFERMER INSTANTANEMENT, TENIR LA SCIE DES DEUX MAINS, SOUTENIR ET FRIER LA PIECE A OUVRIER. UTILISER SEULEMENT DES LAMES DE 7 1/8 PULG. UTILISER SEULEMENT DES PIÈCES DE RECHANGE IDENTIQUES. IL FAUT TOUJOURS PORTER DE L'EQUIPEMENT DE PROTECTION OCULAIRE ET RESPIRATOIRE APPROPRIE.

Información Técnica

DW367, DW368, DW369

Tensión de alimentación 120 V AC/CD (~ ===)
 Consumo de corriente 15A
 Frecuencia de alimentación: 50/60 Hz
 Potencia nominal: 1 800 W
 Rotación sin carga: 5 800/min

Español

PARA REPARACIÓN Y SERVICIO DE SUS HERRAMIENTAS ELÉCTRICAS, FAVOR DE DIRIGIRSE AL CENTRO DE SERVICIO MÁS CERCANO

- CULIACAN, SIN**
Blvd. Emiliano Zapata 5400-1 Poniente
Col. San Rafael (667) 717 89 99
- GUADALAJARA, JAL**
Av. La Paz #1779 -
Col. Americana Sector Juárez (33) 3825 6978
- MEXICO, D.F.**
Eje Central Lázaro Cárdenas No. 18
Local D, Col. Obrera (55) 5588 9377
- MERIDA, YUC**
Calle 63 #459-A - Col. Centro (999) 928 5038
- MONTERREY, N.L.**
Av. Francisco I. Madero 831 Poniente -
Col. Centro (818) 375 23 13
- PUEBLA, PUE**
17 Norte #205 - Col. Centro (222) 246 3714
- QUERETARO, QRO**
Av. San Roque 274 - Col. San Gregorio (442) 2 17 63 14
- SAN LUIS POTOSI, SLP**
Av. Universidad 1525 - Col. San Luis (444) 814 2383
- TORREON, COAH**
Blvd. Independencia, 96 Pte. - Col. Centro (871) 716 5265
- VERACRUZ, VER**
Prolongación Díaz Mirón #4280 - Col. Remes (229) 921 7016
- VILLAHERMOSA, TAB**
Constitución 516-A - Col. Centro (993) 312 5111

PARA OTRAS LOCALIDADES:

Si se encuentra en México, por favor llame al (55) 5326 7100

Si se encuentra en U.S., por favor llame al 1-800-433-9258 (1-800 4-DEWALT)

SOLAMENTE PARA PROPÓSITO DE MÉXICO:
IMPORTADO POR: DEWALT S.A. DE C.V.
BOSQUES DE CIDROS, ACCESO RADIATAS NO.42
3A. SECCIÓN DE BOSQUES DE LAS LOMAS
DELEGACIÓN CUAJIMALPA,
05120, MÉXICO, D.F.
TEL. (52) 555-326-7100
R.F.C.: BDE810626-1W7

**Para servicio y ventas consulte
"HERRAMIENTAS ELECTRICAS"
en la sección amarilla.**







DEWALT Industrial Tool Co., 701 Joppa Road, Baltimore, MD 21286

(MAY09) Part No. N032277 DW367, DW368, DW369 Copyright © 2002–2006, 2009 DEWALT

The following are trademarks for one or more DEWALT power tools: the yellow and black color scheme; the “D” shaped air intake grill; the array of pyramids on the handgrip; the kit box configuration; and the array of lozenge-shaped humps on the surface of the tool.