

Questions? See us in the World Wide Web at [www.dewalt.com](http://www.dewalt.com)

INSTRUCTION MANUAL  
GUIDE D'UTILISATION  
MANUAL DE INSTRUCCIONES

# DEWALT®

DW364 7-1/4" (180 mm) Heavy Duty Circular Saw  
DW384 8-1/4" (209 mm) Heavy Duty Circular Saw  
DW384 Scie circulaire de service intensif de 180 mm (7 1/4 po)  
DW384 Scie circulaire de service intensif de 209 mm (8 1/4 po)  
DW364 Sierra circular de 180 mm (7-1/4") para trabajo pesado  
DW384 Sierra circular de 209 mm (8-1/4") para trabajo pesado

DeWALT Industrial Tool Co., 701 East Joppa Road, Baltimore, MD 21286 (MAR04-CD-1)  
Form No. 383106-00 DW364, DW384 Copyright © 1997, 2000, 2003, 2004

The following are trademarks for one or more DeWALT power tools: the yellow and black color scheme; the "D" shaped air intake grill; the array of pyramids on the handgrip; the kit box configuration; and the array of lozenge-shaped humps on the surface of the tool.

IF YOU HAVE ANY QUESTIONS OR COMMENTS ABOUT THIS OR ANY DEWALT TOOL, CALL US TOLL FREE AT: 1-800-4-DEWALT (1-800-433-9258)

## Important Safety Instructions

**⚠ WARNING:** When using electric tools, basic safety precautions should always be followed to reduce risk of fire, electric shock, and personal injury, including the following:

### READ ALL INSTRUCTIONS

#### Double Insulation

Double insulated tools are constructed throughout with two separate layers of electrical insulation or one double thickness of insulation between you and the tool's electrical system. Tools built with this insulation system are not intended to be grounded. As a result, your tool is equipped with a two prong plug which permits you to use extension cords without concern for maintaining a ground connection.

**NOTE:** Double insulation does not take the place of normal safety precautions when operating this tool. The insulation system is for added protection against injury resulting from a possible electrical insulation failure within the tool.

**⚠ CAUTION:** WHEN SERVICING USE ONLY IDENTICAL REPLACEMENT PARTS. Repair or replace damaged cords.

#### Polarized Plugs

Polarized plugs (one blade is wider than the other) are used on equipment to reduce the risk of electric shock. When provided, this plug will fit in the polarized outlet only one way. If the plug does not fit fully in the outlet, reverse the plug. If it still does not fit, contact a qualified electrician to install the proper outlet. Do not change the plug in any way.

#### Safety Instructions For All Tools

- **KEEP WORK AREA CLEAN.** Cluttered areas and benches invite injuries.
- **CONSIDER WORK AREA ENVIRONMENT.** Don't expose power tools to rain. Don't use power tools in damp or wet locations. Keep work area well lit. Do not use tool in presence of flammable liquids or gases.
- **GUARD AGAINST ELECTRIC SHOCK.** Prevent body contact with grounded surfaces. For example; pipes, radiators, ranges, and refrigerator enclosures.
- **KEEP CHILDREN AWAY.** Do not let visitors contact tool or extension cord. All visitors should be kept away from work area.
- **STORE IDLE TOOLS.** When not in use, tools should be stored in dry, and high or locked-up place — out of reach of children.
- **DON'T FORCE TOOL.** It will do the job better and safer at the rate for which it was intended.
- **USE RIGHT TOOL.** Don't force small tool or attachment to do the job of a heavy-duty tool. Don't use tool for purpose not intended- for example- don't use circular saw for cutting tree limbs or logs.
- **DRESS PROPERLY.** Do not wear loose clothing or jewelry. They can be caught in moving parts. Rubber gloves and non-skid footwear are recommended when working outdoors. Wear protective hair covering to contain long hair. Air vents often cover moving parts and should also be avoided.
- **USE SAFETY GLASSES.** Also use face or dust mask if cutting operation is dusty.
- **DON'T ABUSE CORD.** Never carry tool by cord or yank it to disconnect from receptacle. Keep cord from heat, oil, and sharp edges.
- **SECURE WORK.** Use clamps or a vise to hold work. It's safer than using your hand and it frees both hands to operate tool.
- **DON'T OVERREACH.** Keep proper footing and balance at all times.
- **MAINTAIN TOOLS WITH CARE.** Keep tools sharp and clean for better and safer performance. Follow instructions for lubricating and changing accessories. Inspect tool cords periodically and if damaged, have repaired by authorized service facility. Inspect extension cords periodically and replace if damaged. Keep handles dry, clean, and free from oil and grease.
- **DISCONNECT OR LOCK OFF TOOLS** when not in use, before servicing, and when changing accessories, such as blades, bits, cutters.
- **REMOVE ADJUSTING KEYS AND WRENCHES.** Form habit of checking to see that keys and adjusting wrenches are removed from tool before turning it on.
- **AVOID UNINTENTIONAL STARTING.** Don't carry tool with finger on switch. Be sure switch is off when plugging in.
- **EXTENSION CORDS.** Make sure your extension cord is in good condition. When using an extension cord, be sure to use one heavy enough to carry the current your product will draw. An undersized cord will cause a drop in line voltage resulting in loss of power and overheating. The following table shows the correct size to use depending on cord length and nameplate ampere rating. If in doubt, use the next heavier gage. The smaller the gage number, the heavier the cord.

Volts	Minimum Gage for Cord Sets			
	Total Length of Cord in Feet			
120V	0-25	26-50	51-100	101-150
240V	0-50	51-100	101-200	201-300

Ampere Rating	AWG			
	More Than	Not more Than		
0 - 6	18	16	16	14
6 - 10	18	16	14	12
10 - 12	16	16	14	12
12 - 16	14	12	Not Recommended	

- **OUTDOOR USE EXTENSION CORDS.** When tool is used outdoors, use only extension cords intended for use outdoors and so marked.
- **STAY ALERT.** Watch what you are doing. Use common sense. Do not operate tool when you are tired.
- **CHECK DAMAGED PARTS.** Before further use of the tool, a guard or other part that is damaged should be carefully checked to determine that it will operate properly and perform its intended function. Check for alignment of moving parts, binding of moving parts, breakage of parts, mounting, and any other conditions that may affect its operation. A guard or other part that is damaged should be properly repaired or replaced by an authorized service center unless otherwise indicated elsewhere in this instruction manual. Have defective switches replaced by authorized service center. Do not use tool if switch does not turn it on and off.

#### Additional Safety Instructions for Circular Saws

- **⚠ CAUTION:** When cutting into walls, floors or wherever live electrical wires may be encountered, DO NOT TOUCH ANY METAL PARTS OF THE TOOL! Hold the tool only by insulated grasping surfaces to prevent electric shock if you cut in the live wire.
- **KEEP GUARDS IN PLACE AND IN WORKING ORDER.** Never wedge or tie lower guard open. Check operation of lower guard before each use. Do not use if lower guard does not close briskly over saw blade.
- **⚠ CAUTION:** If saw is dropped, lower guard may be bent, restricting full return.
- **KEEP BLADES CLEAN AND SHARP.** Sharp blades minimize stalling and kickback.
- **⚠ DANGER:** Keep hands away from cutting area. Keep hands away from blades. Do not reach underneath work while blade is rotating. Do not attempt to remove cut material when blade is moving.
- **⚠ CAUTION:** Blades coast after turn off.
- **SUPPORT LARGE PANELS.** Large panels must be supported as shown in Figure 14 to minimize the risk of blade pinching and kickback. When cutting operation requires the resting of the saw on the work piece, the saw shall be rested on the larger portion and the smaller piece cut off.
- **USE RIP FENCE.** Always use a rip fence or straight edge guide when ripping.
- **GUARD AGAINST KICKBACK.** Kickback occurs when the saw stalls rapidly and is driven back towards the operator. Release switch immediately if blade binds or saw stalls. Keep blades sharp. Support large panels as shown in Figure 14. Use fence or straight edge guide when ripping. Don't force tool. Stay alert-exercise control. Don't remove saw from work during a cut while the blade is moving.
- **LOWER GUARD.** Raise lower guard with the retracting handle.
- **ADJUSTMENTS.** Before cutting be sure depth and bevel adjustments are tight.
- **USE ONLY CORRECT BLADES IN MOUNTING.** Do not use blades with incorrect size holes. Never use defective or incorrect blade washers or bolts.
- **AVOID CUTTING NAILS.** Inspect for and remove all nails from lumber before cutting.
- **⚠ CAUTION:** Wear appropriate hearing protection during use. Under some conditions and duration of use, noise from this product may contribute to hearing loss.
- **⚠ WARNING:** Some dust created by power sanding, sawing, grinding, drilling, and other construction activities contains chemicals known to cause cancer, birth defects or other reproductive harm. Some examples of these chemicals are:
  - lead from lead-based paints,
  - crystalline silica from bricks and cement and other masonry products, and
  - arsenic and chromium from chemically-treated lumber (CCA).

Your risk from these exposures varies, depending on how often you do this type of work. To reduce your exposure to these chemicals: work in a well ventilated area, and work with approved safety equipment, such as those dust masks that are specially designed to filter out microscopic particles.

- **Avoid prolonged contact with dust from power sanding, sawing, grinding, drilling, and other construction activities.** Wear protective clothing and wash exposed areas with soap and water. Allowing dust to get into your mouth, eyes, or lay on the skin may promote absorption of harmful chemicals.

**⚠ WARNING:** Use of this tool can generate and/or disburse dust, which may cause serious and permanent respiratory or other injury. Always use NIOSH/OSHA approved respiratory protection appropriate for the dust exposure. Direct particles away from face and body.

### SAVE THESE INSTRUCTIONS

#### Motor

Your DeWALT tool is powered by a DeWALT-built motor. Be sure your power supply agrees with nameplate marking. 120 Volts AC/DC means your saw will operate on alternating or direct current. Lower voltage will cause loss of power and can result in over-heating. All DeWALT tools are factory-tested; if this tool does not operate, check the power supply.

#### Electric Brake

Your saw has an automatic electric brake which is designed to stop the blade from coasting in about two seconds after you release the trigger switch. It is useful when making certain cuts in wood where a coasting blade would result in a wide, imprecise cut.

Occasionally, under certain conditions, the brake will not function properly and won't stop the saw in the 2 seconds discussed above. If this condition persists, turn the saw on and off four or five times. If the brake still does not stop the blade in about 2 seconds, the problem may be worn brushes. Replace the brushes as described below and try the saw again. If the problem still persists, have the tool serviced at a DeWALT certified service center.

#### Brushes

##### DISCONNECT PLUG FROM POWER SUPPLY

Inspect carbon brushes regularly by unplugging tool, removing the Brush Inspection Cap (A) (Figure 1) and withdrawing the brush assembly. Keep brushes clean and sliding freely in their guides. Always replace a used brush in the same orientation in the holder as it was prior to removal. Carbon brushes have varying symbols stamped into their sides, and if the brushes are worn down to the line closest to the spring, they must be replaced. Use only identical DeWALT brushes. Always replace both brushes. Use of the correct grade of brush is essential for proper operation of electric brakes. New brush assemblies are available at your local DeWALT certified service center. The tool should be allowed to "run in" (run at no load without blade) for 10 minutes before use to seat new brushes. This is especially important for saws equipped with electric brakes, which may be erratic in operation until the brushes are properly seated (worn in).

While "running in" DO NOT TIE, TAPE, OR OTHERWISE LOCK THE TRIGGER SWITCH ON. HOLD BY HAND ONLY.

#### Adjustments and Setup

##### ATTACHING AND REMOVING BLADES (FIG. 2)

##### DISCONNECT PLUG FROM POWER SUPPLY.

To attach the blade, retract lower blade guard (C) and place inner clamp washer (D) and blade (E) on saw spindle with teeth at bottom of blade pointing forward. Install outer clamp washer (F). The larger surfaces of both washers must face the blade. Thread on blade clamping screw (G) firmly by hand to hold washers in position.

Lightly depress the blade lock (B) while turning the spindle until the blade stops rotating. Tighten blade clamping screw (clockwise) firmly with the blade wrench (Figure 3).

**NEVER ENGAGE BLADE LOCK WHILE SAW IS RUNNING, OR ENGAGE IN AN EFFORT TO STOP THE TOOL. NEVER TURN SWITCH ON WHEN BLADE LOCK IS ENGAGED.**

When removing the blade, first unplug the saw. Engage the blade lock and unscrew the blade clamping screw by turning it counter-clockwise with the blade wrench.

##### CUTTING DEPTH ADJUSTMENT (FIG. 4)

##### DISCONNECT PLUG FROM POWER SUPPLY.

Loosen (counterclockwise) the Cutting Depth Adjustment Knob (H). Lift the saw handle, as shown, to adjust it to the desired height. Tighten the knob to secure it in place. If depth of cut cannot be adjusted, inspect parts for damage and service as required before use. A scale and pointer (I) is provided to enable you to select a specific depth of cut. Simply align the pointer to the desired depth of cut.

**NOTE:** To adjust the depth of cut pointer for various blade diameters, loosen the Cutting Depth Adjustment Knob and raise the saw until the blade just touches the workpiece and tighten the knob. This is the zero depth of cut position. If required, loosen the screw that holds the pointer and adjust to the zero indicator mark. The saw is now adjusted to accurately indicate the depth of cut for the blade used.

For the most efficient cutting action using a carbide tipped saw blade, set the Depth Adjustment so that about one half of a tooth projects below the surface of the wood to be cut. The height of a whole tooth is the distance from the tip of the tooth to the bottom of the gullet in front of it. Study Figures 5A and 5B to determine what one half tooth means. (5A shows one half tooth projecting below the surface and figure 5B shows a whole tooth projecting below the surface.)

Setting the saw at the proper cutting depth keeps blade friction to a minimum, removes sawdust from between the blade teeth, results in cooler, faster sawing and reduces the chance of kickback.

A method of checking for the correct cutting depth is shown in Figure 6. Lay a piece of the material you plan to cut along the side of the blade, as shown in the figure, and observe how much tooth projects beyond the material.

**NOTE:** When using a non carbide tipped blade, make an exception to the above procedure and allow a full tooth to project below the material, as shown in Figure 5B.

##### BEVEL ANGLE ADJUSTMENT (FIG. 7)

##### DISCONNECT THE SAW FROM THE POWER SUPPLY.

The full range of the Bevel Adjustment is from **0 to 50 DEGREES**. The quadrant (J) is graduated in increments of 1 degree.

On the front of the saw is a bevel angle adjustment mechanism consisting of a calibrated quadrant (J) and a knob, (K). To set the saw for a bevel cut, loosen (counterclockwise) the quadrant



knob and tilt shoe to the desired angle by aligning the pointer with the desired angle mark. Retighten knob firmly (clockwise).

#### KERF INDICATOR (FIG. 8)

The front of the saw shoe has a kerf indicator (L) for vertical and bevel cutting. This indicator enables you to guide the saw along cutting lines penciled on the material being cut. The indicator lines up with the left (inner) side of the saw blade, which makes the slot or “kerf” cut by the moving blade fall to the right of the indicator. Guide along the penciled cutting line so that the kerf falls into the waste or surplus material. Figure 8 shows the dimensions of the shoe. Note that the left side is 5 1/2” between the left side of the blade and the left edge of the shoe (standard 6x lumber). The right dimension is 1 1/2” (standard 2x lumber).

#### SHOE ALIGNMENT

Your saw has been set at the factory for accurate vertical cuts (a 90 degree angle between the bottom of the shoe (M) and the blade). The edge of the shoe has also been set parallel to the blade so that it will not bind when using an edge guide. If the saw should ever need adjustment, it may be done as follows:

#### ADJUSTING FOR 90° CUTS (FIG. 9-11)

1. DISCONNECT PLUG FROM POWER SUPPLY.
2. Adjust the saw to 0° bevel.
3. Place saw on blade side (Figure 9). Retract blade guard.
4. Loosen quadrant knob. Place a square against the blade and shoe to adjust the 90° setting.
5. Loosen the hex nut (N) and move the adjustment screw (O) so that the shoe will stop at the proper angle as shown in Figure 11. Lock the screw in place by tightening the hex nut.
6. It may be necessary to adjust the quadrant angle pointer to line up on “O” after shoe has been adjusted.

#### ADJUSTING THE SHOE PARALLEL TO THE BLADE

1. DISCONNECT PLUG FROM POWER SUPPLY.
2. Loosen the hex nut (N) shown in Figure 10 and then turn the adjustment screw (O) in or out as needed to adjust for parallelism.
3. Adjust the shoe until it is parallel to the blade by measuring from the edge of the shoe to the blade, front & rear. You can measure from the outside edge of the blade to the shoe as shown in Figure 8 or from the inner edge of the blade to the wider part of the shoe. (Do not measure from the tips of any saw blade teeth.)
4. When the shoe and blade are parallel, hold the adjusting screw in place and tighten the hex nut firmly.

## OPERATION

### Switch

Pull the trigger switch to turn the motor “ON”. Releasing the trigger turns the motor “OFF”. Releasing the trigger also automatically actuates the electric brake. This tool has no provision to lock the switch in the “ON” position, and should never be locked “ON” by any other means.

### Changing Blades

**▲ CAUTION: ALWAYS TURN OFF AND DISCONNECT TOOL BEFORE CHANGING ACCESSORIES OR MAKING ANY ADJUSTMENTS.**

#### TO INSTALL THE BLADE

1. Place inner clamp washer (D) on saw spindle with the large flat surface facing out toward the blade (Fig. 2).
2. Retract the lower blade guard (C) and place blade on saw spindle against the inner clamp washer, making sure that the blade will rotate in the proper direction (the direction of the rotation arrow on the saw blade and the teeth must point in the same direction as the direction of rotation arrow on the saw). Do not assume that the printing on the blade will always be facing you when properly installed. When retracting the lower blade guard to install the blade, check the condition and operation of the lower blade guard to assure that it is working properly. Make sure it moves freely and does not touch the blade or any other part, in all angles and depths of cut.
3. Place outer clamp washer (F) on saw spindle with the large flat surface against the blade and the wording on the outer clamp washer facing you.
4. Thread blade clamping screw (G) into saw spindle by hand (screw has right-hand threads and must be turned clockwise to tighten).
5. Depress the blade lock (B) while turning the saw spindle with the blade wrench until the blade lock engages and the blade stops rotating (Fig. 3).
6. Tighten the blade clamping screw firmly with the blade wrench.

**NOTE:** Never engage the blade lock while saw is running, or engage in an effort to stop the tool. Never turn the saw on while the blade lock is engaged. Serious damage to your saw will result.

#### TO REPLACE THE BLADE

1. To loosen the blade clamping screw (G), depress the blade lock (B) and turn the saw spindle with the blade wrench until the blade lock engages and the blade stops rotating. With the blade lock engaged, turn the blade clamping screw clockwise with the blade wrench (screw has right-hand threads and must be turned counterclockwise to loosen).
2. Remove the blade clamping screw (G) and outer clamp washer ( F) only. Remove old blade.
3. Clean any sawdust that may have accumulated in the guard or clamp washer area and check the condition and operation of the lower blade guard as previously outlined. Do not lubricate this area.
4. Select the proper blade for the application (see **Blades**). Always use blades that are the correct size (diameter) with the proper size and shape center hole for mounting on the saw spindle. Always assure that the maximum recommended speed (rpm) on the saw blade meets or exceeds the speed (rpm) of the saw.
5. Follow steps 2 through 6 under **To Install the Blade**, making sure that the blade will rotate in the proper direction.

#### LOWER BLADE GUARD

**▲ WARNING: The lower blade guard is a safety feature which reduces the risk of serious personal injury. Never use the saw if the lower guard is missing, damaged, misassembled or not working properly. Do not rely on the lower blade guard to protect you under all circumstances. Your safety depends on following all warnings and precautions as well as proper operation of the saw. Check lower guard for proper closing before each use as outlined in Additional Safety Rules for Circular Saws. If the lower blade guard is missing or not working properly, have the saw serviced before using. To assure product safety and reliability, repair, maintenance and adjustment should be performed by an authorized service center or other qualified service organization, always using identical replacement parts.**

### Workpiece Support

Figure 12 shows proper sawing position. Note that hands are kept away from cutting area, and power cord is positioned clear of the cutting area so that it will not get caught or hung up on the work.

To avoid kickback, DO support board or panel NEAR the cut and on both sides of the cut, (Figure 13). DON'T support board or panel away from the cut, (Figure 14). When ripping long narrow strips, support cut-off waste material.

When operating the saw, keep the cord away from the cutting area and prevent it from becoming hung up on the work piece. Note that a special Cord Keeper has been provided on the tool's handle. Simply press the cord into the keeper to keep it in sight and out of the way.

**▲ WARNING: It is important to support the work properly and to hold the saw firmly to prevent loss of control which could cause personal injury; Figure 12 illustrates typical hand support of the saw.**

**ALWAYS DISCONNECT SAW BEFORE MAKING ANY ADJUSTMENTS!** Place the work with its “good” side - the one on which appearance is most important - down. The saw cuts upward, so any splintering will be on the work face that is up when you saw it.

Support the work so that the cut will be on your right. Place the wider portion of the saw shoe on that part of the work piece which is solidly supported, not on the section that will fall off when the cut is made. As examples, Figure 15 illustrates the RIGHT way to cut off the end of a board, and Figure 16 the WRONG way. Always clamp work. Don't try to hold short pieces by hand! Remember to support cantilevered and overhanging material. Use caution when sawing material from below.

#### CUTTING

Be sure saw is up to full speed before blade contacts material to be cut. Starting saw with blade against material to be cut or pushed forward into kerf can result in kickback.

Push the saw forward at a speed which allows the blade to cut without laboring. Hardness and toughness can vary even in the same piece of material, and knotty or damp sections can put a heavy load on the saw. When this happens, push the saw more slowly, but hard enough to keep it working without much decrease in speed. Forcing the saw can cause rough cuts, inaccuracy, kickback and over-heating of the motor.

Should your cut begin to go off the line, don't try to force it back on. Release the switch and allow blade to come to a complete stop. Then you can withdraw the saw, sight anew, and start a new cut slightly inside the wrong one. In any event, withdraw the saw if you must shift the cut. Forcing a correction inside the cut can stall the saw and lead to kickback. IF SAW STALLS, RELEASE THE TRIGGER AND BACK THE SAW UNTIL IT IS LOOSE. BE SURE BLADE IS STRAIGHT IN THE CUT AND CLEAR OF THE CUTTING EDGE BEFORE RESTARTING.

As you finish a cut, release the trigger and allow the blade to stop before lifting the saw from the work. As you lift the saw, the spring-tensioned telescoping guard will automatically close under the blade. Remember the blade is exposed until this occurs, never reach under the work for any reason whatsoever. When you have to retract the telescoping guard manually (as is necessary for starting pocket cuts) always use the retracting lever.

**NOTE:** When cutting thin strips, be careful to ensure that small cutoff pieces don't hang up on inside of lower guard.

Always use a fence or straight edge guide when ripping.

#### POCKET CUTTING (FIG. 17)

DISCONNECT PLUG FROM POWER SUPPLY. Adjust saw shoe so blade cuts at desired depth. Tilt saw forward and rest front of the shoe on material to be cut. Using the retracting lever, retract blade guard to an upward position. Lower rear of shoe until blade teeth almost touch cutting line. Now release the blade guard and its contact with the work will keep it in position to open freely as you start the cut. Start the motor and gradually lower the saw until its shoe rests flat on the material to be cut. Advance saw along the cutting line until cut is completed. Release trigger and allow blade to stop completely before withdrawing the blade from the material. When starting each new cut, repeat as above. Never tie the blade guard in a raised position.

### Kickback

When the saw blade becomes pinched or twisted in the cut, kickback can occur. The saw is thrust rapidly back toward the operator. When the blade is pinched or bound tightly by the kerf closing down, the blade stalls and the motor reaction drives the unit backward. When the blade becomes twisted or misaligned in the cut, the teeth at the back edge of the blade can dig into the top surface of the wood causing the blade to climb out of the kerf and jump back toward the operator.

Kickback is more likely to occur when any of the following conditions exist.

#### 1. IMPROPER WORKPIECE SUPPORT

- A. Sagging or improper lifting of the cut off piece causing pinching of the blade.
- B. Cutting through material supported at the outer ends only (see Figure 14). As the material weakens it sags, closing down the kerf and pinching the blade.
- C. Cutting of a cantilevered or overhanging piece of material from the bottom up in a vertical direction. The falling cut off piece can pinch the blade.
- D. Cutting off long narrow strips (as in ripping). The cut off strip can sag or twist closing the kerf and pinching the blade.
- E. Snagging the lower guard on a surface below the material being cut momentarily reducing operator control. The saw can lift partially out of the cut increasing the chance of blade twist.

#### 2. IMPROPER DEPTH OF CUT SETTING ON SAW

Using the saw with an excessive depth of cut setting increases loading on the unit and susceptibility to twisting of the blade in the kerf. It also increases the surface area of the blade available for pinching under conditions of kerf close down.

#### 3. BLADE TWISTING (MISALIGNMENT IN CUT)

- A. Pushing harder to cut through a knot, a nail, or a hard grain area can cause the blade to twist.
- B. Trying to turn the saw in the cut (trying to get back on the marked line) can cause blade twist.
- C. Extended reach or operating saw with poor body control (out of balance), can result in twisting the blade.
- D. Changing hand grip or body position while cutting can result in blade twist.
- E. Backing unit up to clear blade can lead to twist if not done carefully.

#### 4. Materials that require extra attention

- A. Wet lumber
- B. Green lumber (material freshly cut or not kiln dried)
- C. Pressure treated lumber (material treated with preservatives or anti-rot chemicals)

#### 5. USE OF DULL OR DIRTY BLADES

Dull or dirty blades cause increased loading of the saw. To compensate, an operator will usually push harder which further loads the unit and promotes twisting of the blade in the kerf. Worn blades may also have reduced body clearance which increases the chance of binding and increased loading.

#### 6. LIFTING THE SAW WHEN MAKING BEVEL CUTS

Bevel cuts require special operator attention to proper cutting techniques - especially guidance of the saw. Both blade angle to the shoe and greater blade surface in the material increase the chance for binding and misalignment (twist) to occur.

#### 7. RESTARTING A CUT WITH THE BLADE TEETH JAMMED AGAINST THE MATERIAL

The saw should be brought up to full operating speed before starting a cut or restarting a cut after the unit has been stopped with the blade in the kerf. Failure to do so can cause stalling and kickback.

Any other conditions which could result in pinching, binding, twisting, or misalignment of the blade could cause kickback. Refer to the sections on “Adjustments And Set-Up” and “Operation” for procedures and techniques that will minimize the occurrence of kickback.

### Blades

A dull blade will cause slow, inefficient cutting overload on the saw motor, excessive splintering and could increase the possibility of kickback. It is a good practice to keep extra blades on hand so that sharp blades are available while the dull ones are being sharpened (See “SAWS-SHARPENING” in the Yellow Pages). In fact, many lower priced blades can be replaced with new ones at very little cost over the sharpening price.

Hardened gum on the blade will slow down the cutting. This gum can best be removed with kerosene, turpentine or oven cleaner.

DeWALT manufactures a complete line of saw blades and the following types of blades are available from your service center.

VISUALLY EXAMINE CARBIDE BLADES BEFORE USE. REPLACE IF DAMAGED.

### Cleaning and Lubrication

Use only mild soap and a damp cloth to clean the tool. Never let any liquid get inside the tool; never immerse any part of the tool into a liquid.

Self lubricating ball and roller bearings are used in the tool and relubrication is not required. However, it is recommended that, once a year, you take or send the tool to a service center for a thorough cleaning, inspection and lubrication of the gear case.

### Accessories

Recommended accessories for use with your tool are available at extra cost from your distributor or local service center.

If you need assistance in locating any accessory, please contact DeWALT Industrial Tool Co., 701 East Joppa Road, Baltimore, MD 21286 or call 1-800-4-DeWALT (1-800-433-9258).

- A. RIP FENCE - attaches to top of saw shoe; permits rip cuts without penciled guide line.
- B. SAW PROTRACTOR - guides saw for accurate cut-off work; adjusts from 0 to 70 degrees.
- C. CUT-OFF GUIDE - for 90 degree or 45 degree cuts.

**▲ CAUTION: The use of any non-recommended accessory may be hazardous.**

### Repairs

To assure product SAFETY and RELIABILITY, repairs, maintenance and adjustment (including brush inspection and replacement) should be performed by authorized service centers or other qualified service organizations, always using identical replacement parts.

### Three Year Limited Warranty

DeWALT will repair, without charge, any defects due to faulty materials or workmanship for three years from the date of purchase. This warranty does not cover part failure due to normal wear or tool abuse. For further detail of warranty coverage and warranty repair information, visit [www.dewalt.com](http://www.dewalt.com) or call 1-800-4-DeWALT (1-800-433-9258). This warranty does not apply to accessories or damage caused where repairs have been made or attempted by others. This warranty gives you specific legal rights and you may have other rights which vary in certain states or provinces.

In addition to the warranty, DeWALT tools are covered by our:

#### 1 YEAR FREE SERVICE

DeWALT will maintain the tool and replace worn parts caused by normal use, for free, any time during the first year after purchase.

#### 90 DAY MONEY BACK GUARANTEE

If you are not completely satisfied with the performance of your DeWALT Power Tool, Laser, or Nailer for any reason, you can return it within 90 days from the date of purchase with a receipt for a full refund – no questions asked.

**FREE WARNING LABEL REPLACEMENT:** If your warning labels become illegible or are missing, call 1-800-4-DEWALT for a free replacement.

POUR TOUT RENSEIGNEMENT SUPPLÉMENTAIRE SUR CET OUTIL OU TOUT AUTRE OUTIL DeWALT, COMPOSER SANS FRAIS LE NUMÉRO: **1 800 4-DeWALT (1 800 433-9258)**

### Importantes mesures de sécurité

**▲ AVERTISSEMENT :** Afin de réduire les risques d'incendie, de secousses électriques ou de blessures lorsqu'on utilise des outils électriques, il faut toujours respecter les mesures de sécurité suivantes.

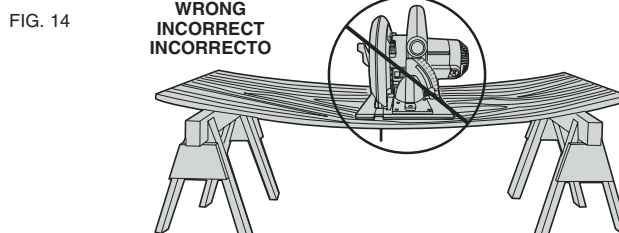
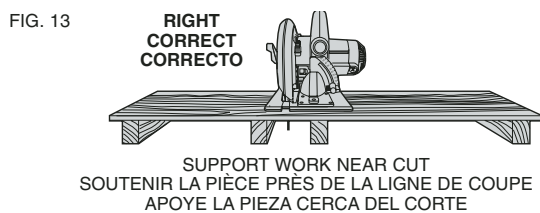
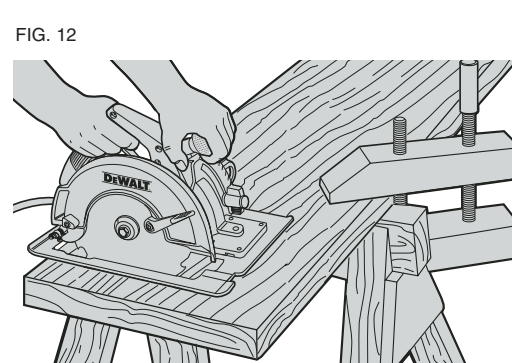
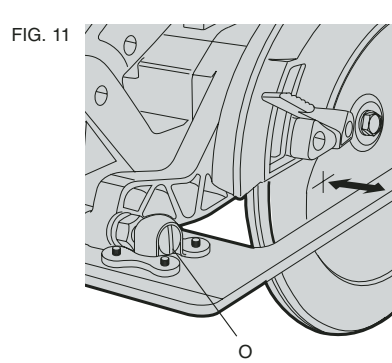
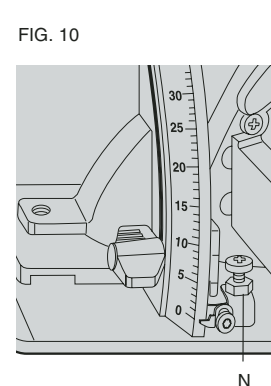
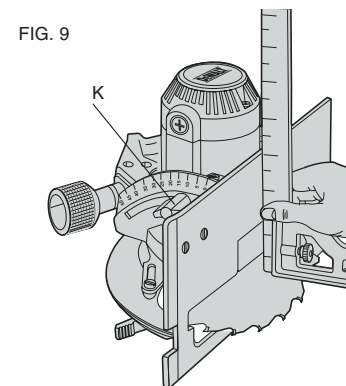
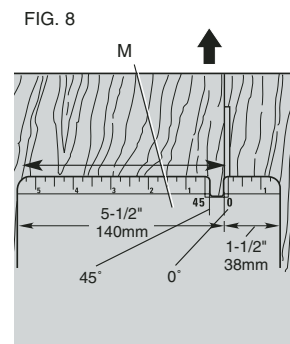
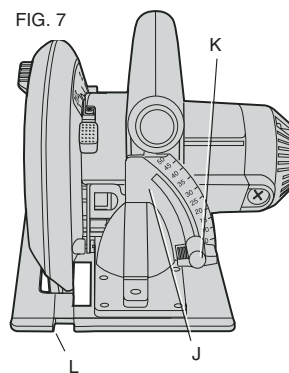
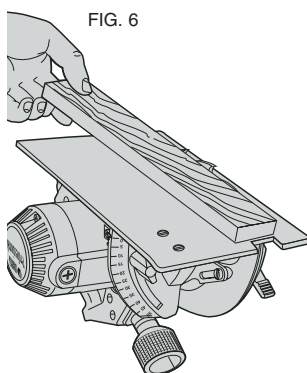
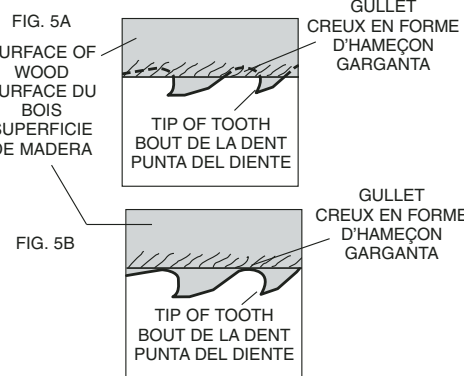
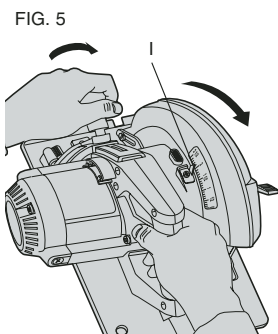
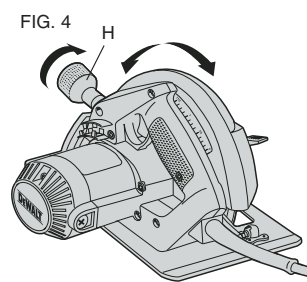
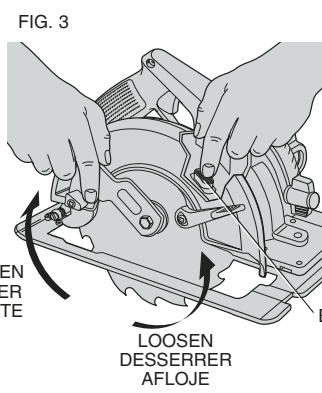
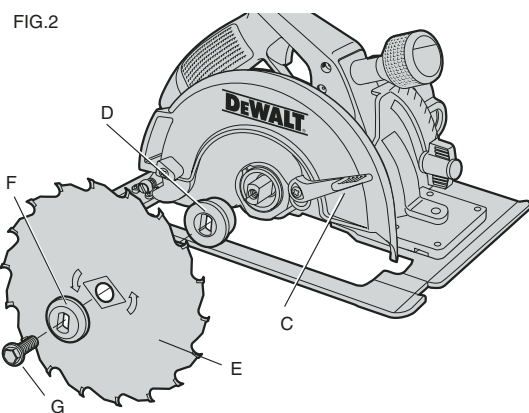
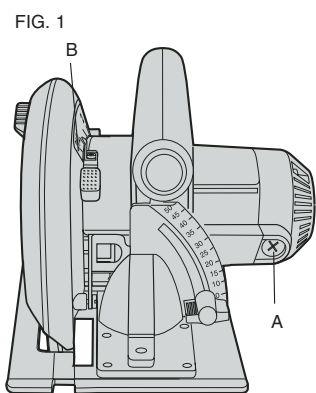
## LIRE TOUTES LES DIRECTIVES

### Double isolation

Les outils à double isolation comportent deux couches distinctes d'isolant électrique ou une double épaisseur d'isolant qui protègent l'utilisateur contre les risques de blessures provenant du système électrique de l'outil. Ce système de double isolation élimine le besoin de mettre les outils à la terre. En effet, l'outil est muni d'une fiche à deux broches, ce qui permet d'utiliser une rallonge ordinaire sans avoir à se soucier d'assurer la mise à la terre.

**NOTE :** La double isolation ne dispense pas des mesures de sécurité normales lors de l'utilisation de l'outil. Elle vise à procurer une protection supplémentaire contre les blessures que peut entraîner une défectuosité de l'isolant électrique à l'intérieur de l'outil.





MATERIAL BENDS ON BLADE CAUSING HEAVY LOADS OR KICKBACK.  
LE MATÉRIAU PLIE AU CONTACT DE LA LAME CAUSANT DE LOURDES SURCHARGES OU DES REBONDS.  
EL MATERIAL SE DOBLA SOBRE EL DISCO OCACIONANDO SOBRECARGA O CONTRAGOLPE.

**⚠ MISE EN GARDE : LORS DE L'ENTRETIEN, N'UTILISER QUE DES PIÈCES DE RECHANGE IDENTIQUES. Réparer ou remplacer les cordons endommagés.**

### Fiche polarisée

Afin de réduire les risques de secousses électriques, l'outil est muni d'une fiche polarisée (une lame plus large que l'autre). Ce genre de fiche n'entre que d'une façon dans une prise polarisée. Lorsqu'on ne peut insérer la fiche à fond dans la prise, il faut tenter de le faire après avoir inversé les lames de côté. Si la fiche n'entre toujours pas dans la prise, il faut communiquer avec un électricien certifié. Il ne faut en aucun cas modifier la fiche.

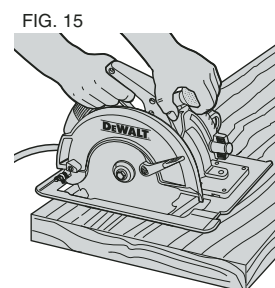
### Mesures de sécurité pour tous les outils

- **BIEN DÉGAGER LA SURFACE DE TRAVAIL.** Des surfaces et des établis encombrés peuvent être la cause de blessures.
- **TENIR COMPTE DU MILIEU DE TRAVAIL.** Protéger les outils électriques de la pluie. Ne pas s'en servir dans des endroits humides ou mouillés. Bien éclairer la surface de travail. Ne pas se servir de l'outil en présence de liquides ou de vapeurs inflammables.
- **SE PROTÉGER CONTRE LES SECOUSSES ÉLECTRIQUES.** Éviter tout contact avec des objets mis à la terre, comme des tuyaux, radiateurs, cuisinières, réfrigérateurs et autres objets du genre.
- **ÉLOIGNER LES ENFANTS.** Tous les visiteurs doivent être tenus à l'écart de l'aire de travail et il faut les empêcher de toucher à l'outil ou au cordon de rallonge.
- **RANGER LES OUTILS INUTILISÉS.** Il faut ranger les outils dans un endroit sec, situé en hauteur ou fermé à clé, hors de la portée des enfants.
- **NE JAMAIS FORCER L'OUTIL.** Afin d'obtenir un rendement sûr et efficace, utiliser l'outil à son rendement nominal.
- **UTILISER L'OUTIL APPROPRIÉ.** Ne jamais exiger d'un petit outil ou d'un accessoire le rendement d'un outil de fabrication plus robuste. Se servir de l'outil selon l'usage prévu.
- **PORTER DES VÊTEMENTS APPROPRIÉS.** Éviter de porter des vêtements amples et des bijoux qui peuvent être happés par les pièces en mouvement. Porter des gants de caoutchouc et des chaussures à semelle antidérapante pour travailler à l'extérieur. Protéger la chevelure si elle est longue. Se tenir éloigné des événements puisque ces derniers pourraient camoufler des pièces mobiles.
- **PORTER DES LUNETTES DE SÉCURITÉ.** Porter également un masque respiratoire si le travail de coupe produit de la poussière.
- **NE PAS MANIPULER LE CORDON DE FAÇON ABUSIVE.** Ne pas transporter l'outil par le cordon ni tirer sur ce dernier pour le débrancher de la prise. Éloigner le cordon des sources de chaleur, des flammes d'huile et des arêtes tranchantes.
- **ASSUJETIR LA PIÈCE.** Immobiliser la pièce à l'aide de brides ou d'un étau. On peut alors se servir des deux mains pour faire fonctionner l'outil, ce qui est plus sûr.
- **NE PAS DÉPASSER SA PORTÉE.** Toujours demeurer dans une position stable et garder son équilibre.
- **PRENDRE SOIN DES OUTILS.** Conserver les outils propres pour qu'ils donnent un rendement supérieur et sûr. Suivre les directives concernant la lubrification et le remplacement des accessoires. Inspecter régulièrement le cordon de l'outil et le faire réparer au besoin à un atelier d'entretien autorisé. Inspecter régulièrement les cordons de rallonge et les remplacer lorsqu'ils sont endommagés. S'assurer que les poignées sont toujours propres, sèches et libres de toute tache d'huile ou de graisse.
- **DÉBRANCHER OU VERROUILLER EN POSITION HORS TENSION LES OUTILS NON UTILISÉS.** Respecter cette mesure lorsqu'on ne se sert pas de l'outil, ou qu'on doit le réparer ou en changer un accessoire (comme une lame, un foret ou un couteau).
- **ENLEVER LES CLÉS DE RÉGLAGE.** Prendre l'habitude de vérifier si les clés de réglage ont été retirées avant de faire démarrer l'outil.
- **ÉVITER LES DÉMARRAGES ACCIDENTELS.** Ne pas laisser le doigt sur l'interrupteur lorsqu'on transporte l'outil. S'assurer que l'interrupteur est à la position hors circuit lorsqu'on branche l'outil.
- **CORDONS DE RALLONGE.** S'assurer que le cordon de rallonge est en bon état. Lorsqu'on se sert d'un cordon de rallonge, s'assurer qu'il est de calibre approprié pour la tension nécessaire au fonctionnement de l'outil. L'utilisation d'un cordon de calibre inférieur occasionne une baisse de tension entraînant une perte de puissance et la surchauffe. Le tableau suivant indique le calibre approprié selon la longueur du cordon et les mentions de la plaque signalétique de l'outil. En cas de doute, utiliser un cordon de calibre supérieur. Le chiffre indiquant le calibre est inversement proportionnel au calibre du cordon.

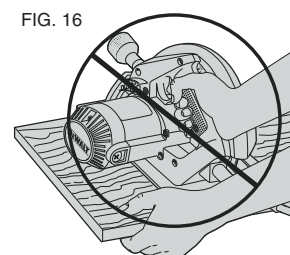
#### Calibre minimal des cordons de rallonge

Tension	Longueur totale du cordon en pieds				
120 V	0-25	26-50	51-100	101-150	
240 V	0-50	51-100	101-200	201-300	

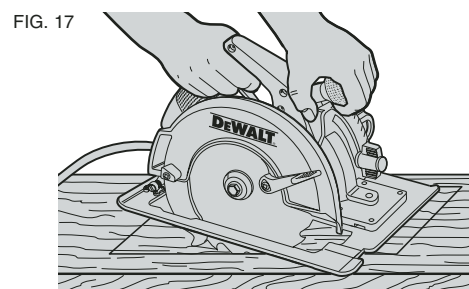
Intensité (A)	Calibre moyen de fil (AWG)				
Au moins	Au plus				
0	6	18	16	16	14
6	10	18	16	14	12
10	12	16	16	14	12
12	16	14	12		Non recommandé



RIGHT CORRECT CORRECTO



WRONG INCORRECT INCORRECTO



- **CORDONS DE RALLONGE PRÉVUS POUR L'EXTÉRIEUR.** Lorsque l'outil est utilisé à l'extérieur, ne se servir que d'un cordon de rallonge conçu pour l'extérieur et portant la mention appropriée.
- **DEMEURER VIGILANT.** Travailler avec vigilance et faire preuve de bon sens. Ne pas se servir de l'outil lorsqu'on est fatigué.
- **VÉRIFIER LES PIÈCES ENDOMMAGÉES.** Avant de continuer à utiliser l'outil, il faut vérifier si le protecteur ou toute autre pièce endommagée remplit bien la fonction pour laquelle il a été prévu. Vérifier l'alignement et les attaches des pièces mobiles, le degré d'usure des pièces et leur montage, ainsi que tout autre facteur susceptible de nuire au bon fonctionnement de l'outil. Faire réparer ou remplacer tout protecteur ou toute autre pièce endommagée dans un centre de service autorisé, sauf si le présent guide fait mention d'un avis contraire. Confier le remplacement de tout interrupteur défectueux à un centre de service autorisé. Ne jamais se servir d'un outil dont l'interrupteur est défectueux.

### Mesures de sécurité additionnelles relatives aux scies circulaires

- **⚠ MISE EN GARDE :** Lorsqu'on coupe dans les murs, les planchers ou tout autre endroit où peuvent se trouver des fils sous tension, ne pas toucher aux composants métalliques de l'outil. Ne le saisir que par ses surfaces en plastique afin de se protéger des secousses électriques si on entre en contact avec un fil sous tension.
- **S'ASSURER QUE LES PROTECTEURS EN PLACE ET EN ÉTAT DE FONCTIONNEMENT.** Ne jamais bloquer ni attacher le protecteur inférieur en position ouverte. Vérifier le fonctionnement du protecteur inférieur avant chaque utilisation. Ne pas se servir de l'outil lorsque le protecteur inférieur ne se ferme pas complètement sur la lame.
- **⚠ MISE EN GARDE :** Si la scie tombe, le protecteur inférieur peut se tordre et ne plus se refermer complètement.
- **S'ASSURER QUE LES LAMES SONT PROPRES ET AFFÛTÉES.** Des lames affûtées minimisent les risques de calage et de rebond.
- **⚠ DANGER :** éloigner les mains de la zone de coupe. Éloigner les mains de la lame. Ne pas placer les mains sous la pièce à découper pendant les travaux lorsque la lame tourne. Ne pas tenter de retirer du matériau lorsque la lame est en mouvement.
- **⚠ MISE EN GARDE :** La lame continue de tourner après la mise hors tension.
- **SOUTENIR LES GRANDS PANNEAUX.** Il faut soutenir les panneaux de grandes dimensions de la façon illustrée à la figure 16 afin de minimiser les risques de coincement de la lame et de rebond. Lorsqu'il faut déposer la scie contre la pièce à découper pendant les travaux, il faut la déposer sur la partie la plus large du matériau et découper la plus petite partie.
- **UTILISER UN GUIDE DE REFENTE.** Toujours utiliser un guide de refente ou un guide à rebord droit lors des coupes en refente.
- **SE PROTÉGER CONTRE LES RISQUES DE REBOND.** Le rebond se produit lorsque la lame se bloque rapidement et qu'elle ressort du matériau vers l'utilisateur. Il faut relâcher immédiatement l'interrupteur en cas de blocage ou de calage. Maintenir les lames bien



*affûtées. Soutenir les panneaux de grandes dimensions de la façon illustrée à la figure 16. Utiliser un guide de refente ou à rebord droit lors des coupes en refente. Ne pas forcer l'outil. Rester vigilant; maîtriser la situation. Ne pas retirer la scie du matériau lorsque la scie est en mouvement.*

- PROTECTEUR INFÉRIEUR.** Utiliser le ressort de rappel pour soulever le protecteur inférieur.
- RÉGLAGES.** S'assurer que les réglages de coupe en biseau et de profondeur sont bien serrés avant la coupe.
- LORS DU MONTAGE, UTILISER SEULEMENT DES LAMES APPROPRIÉES.** Ne pas utiliser une lame dont le diamètre du trou n'est pas approprié. Ne jamais utiliser des rondelles ou des boulons de lames défectueux ou de dimensions inappropriées.
- ÉVITER DE COUPER DES CLOUS.** Examiner la pièce à découper pour s'assurer qu'elle ne renferme aucun clou avant les travaux. Le cas échéant, les retirer.

**▲ MISE EN GARDE : Porter un dispositif de protection personnel anti-bruit approprié durant l'utilisation.** Sous certaines conditions et pendant toute la durée de l'utilisation, le bruit émanant de ce produit pourrait contribuer à la perte d'audition.

**▲ AVERTISSEMENT :** Certaines poussières créées par le ponçage, le sciage, le meulage et le forage mécaniques ainsi que d'autres activités de construction contiennent des produits chimiques reconnus pour causer le cancer, des anomalies congénitales ou d'autres anomalies liées à la reproduction. Parmi ces produits chimiques, citons notamment :

- le plomb provenant des peintures au plomb ;
- la silice cristalline provenant des briques, du béton et d'autres matériaux de maçonnerie ;
- l'arsenic et le chrome provenant du bois traité (arséniate de cuivre et de chrome).

Le risque associé à ces expositions varie selon la fréquence de ces types de travaux. Pour réduire l'exposition aux produits chimiques : travailler dans un local bien ventilé et utiliser du matériel de sécurité approuvé, comme les masques antipoussières spécialement conçus pour filtrer les particules microscopiques.

- Éviter le contact prolongé avec la poussière provenant du ponçage, du sciage, du meulage et du forage mécanique ainsi que d'autres activités de construction. Porter des vêtements de protection et laver les parties exposées au savon et à l'eau.** La poussière qui pourrait pénétrer dans la bouche et les yeux ou se déposer sur la peau peut favoriser l'absorption de produits chimiques nocifs.

**▲ AVERTISSEMENT :** Cet outil peut produire et répandre de la poussière susceptible de causer des dommages sérieux et permanents au système respiratoire. Toujours utiliser un appareil respiratoire anti-poussières approuvé par le NIOSH ou l'OSHA. Diriger les particules dans le sens opposé du visage et du corps..

## CONSERVER CES MESURES

### Moteur

Un moteur DEWALT entraîne l'outil DEWALT. Veiller à ce que la tension d'alimentation soit conforme aux exigences de la plaque signalétique de l'outil. La mention 120 volts c.a./c.c. signifie que l'outil fonctionne également sur une alimentation en courant alternatif ou continu. Une baisse de tension peut entraîner une perte de puissance et la surchauffe. Tous les outils DEWALT sont essayés avant de quitter l'usine. Lorsque celui-ci refuse de fonctionner, vérifier la source de courant électrique.

### Frein électrique

La scie est dotée d'un frein électrique automatique conçu pour arrêter la lame en environ deux secondes lorsqu'on relâche l'interrupteur à détente. Ce dispositif est des plus pratiques lorsqu'on effectue une coupe dans du bois et que le débrayage de la lame causerait une large coupe imprécise.

Il arrive parfois, dans certaines conditions, que le frein ne fonctionne pas convenablement et qu'il n'arrête pas la lame dans les deux secondes précitées. Dans ce cas, mettre la scie en circuit et hors circuit quatre ou cinq fois de file. Si le frein n'arrête toujours pas la lame en environ deux secondes, il se peut que les balais soient usés. Les remplacer de la manière indiquée dans la prochaine rubrique et essayer de nouveau la scie. Si le problème persiste, confier la réparation de l'outil à un centre de service DEWALT.

### Balais

#### DÉBRANCHER L'OUTIL.

Inspecter régulièrement les balais de carbone en débranchant d'abord la scie, en retirant le couvercle d'inspection des balais (fig. 2) et en sortant l'assemblage balais. S'assurer que les balais sont propres et qu'ils glissent bien dans leurs guides. Toujours remplacer les balais usés par des balais placés dans le même sens dans le porte-balai. Différents symboles sont inscrits sur les côtés des balais de carbone. Lorsque le balai est usé jusqu'à la ligne la plus près du ressort, il faut le remplacer. N'utiliser que des balais de rechange identiques DEWALT. On peut se procurer des balais de rechange au centre de service de la région. Il faut laisser l'outil fonctionner à vide (sans charge et sans lame) pendant dix minutes avant de l'utiliser afin de permettre aux nouveaux balais de s'installer.

Pendant le fonctionnement à vide de la scie, NE PAS ATTACHER, COLLER NI BLOQUER DE TOUTE AUTRE FAÇON L'INTERRUPTEUR À DÉTENTE. LE TENIR À LA MAIN SEULEMENT.

### Les ajustements et l'organisation

#### ATTACHANT DE ET LA LAME ENLEVANT (FIG.2)

DEBRANCHE LE BOUCHON DE L'ALIMENTATION.

Pour attacher la lame, rétracter le garde de lame plus bas (le C) et place la rondelle de serre-joint intérieure (D) et la lame (l'E) sur a vu que le fuseau avec les dents au fond de lame indique en avant. Installer la rondelle extérieure de serre-joint (F). Les plus grandes surfaces des deux rondelles doivent faire face à la lame. Enfiler sur la lame serrant la vis (G) fermement à la main tenir des rondelles en place. Légèrement déprimer la serrure de lame (le B) en tournant le fuseau jusqu'à ce que la lame arrête de tourner. Resserrer la vis de blocage de lame (dans le sens des aiguilles d'une montre) fermement avec la clé plate de lame (Calcule 3). Ne JAMAIS ENGAGER LA SERRURE DE LAME COURT EN A VU, OU ENGAGER DANS UN EFFORT POUR ARRÊTER L'OUTIL. JAMAIS LE COMMUTATEUR DE VIRAGE SUR QUAND LA SERRURE DE LAME EST ENGAGÉE. En enlevant la lame, premièrement débrancher l'a vu. Engager la serrure de lame et dévisser la lame serrant la vis en le tournant opposé-dans le sens des aiguilles d'une montre avec la clé plate de lame.

#### L'AJUSTEMENT DE PROFONDEUR DE COUPE (LA FIG. 4)

DEBRANCHE LE BOUCHON DE L'ALIMENTATION.

Desserrer (dans le sens antihoraire) le bouton de réglage de la profondeur de coupe (fig. 4). Soulever la poignée de la scie de la façon illustrée afin d'obtenir la profondeur de coupe voulue. Bien resserrer le bouton. Lorsqu'on ne peut pas régler la profondeur de coupe, vérifier l'état des pièces et les faire réparer le cas échéant avant de se servir de l'outil. Un secteur et un indicateur facilitent la sélection de la profondeur de coupe voulue. Il suffit d'aligner l'indicateur sur la profondeur de coupe voulue (fig. 5).

**NOTE :** Afin de régler l'indicateur de la profondeur de coupe en fonction du diamètre de différentes lames, desserrer le bouton de réglage de la profondeur de coupe et soulever la scie jusqu'à ce que la lame touche le matériau à découper, puis resserrer le bouton. C'est la position zéro de la profondeur de coupe. Il peut être nécessaire de desserrer la vis de l'indicateur et de régler ce dernier à la mention zéro. La scie est maintenant réglée pour indiquer avec précision la profondeur de coupe de la lame utilisée.

Afin de maximiser le rendement d'une lame à pointes de carbure, régler la profondeur de coupe de sorte que seule la moitié de la dent ne sorte sous la surface du bois à découper. La hauteur de la dent se mesure à partir du bout de la dent au creux en forme d'hameçon qui se trouve devant la dent. Examiner les figures 5A et 5B pour déterminer la longueur d'une moitié de dent. (La figure 5A montre une moitié de dent sous la surface du bois et la figure 5B illustre toute une dent sous la surface du bois.)

Le réglage approprié de la profondeur de coupe minimise la friction, permet l'enlèvement de la sciure entre les dents de la lame et procure une coupe nette et rapide tout en réduisant les risques de rebond.

Vérifier de la façon illustrée à la figure 6 la profondeur de coupe appropriée. Il suffit de placer un bout de bois contre la lame, comme le montre la figure 6, et d'observer la longueur de la dent qui dépasse le bois.

**NOTE :** Lorsqu'on utilise des lames ordinaires, il faut laisser la hauteur d'une dent complète dépasser sous la surface du bois, comme le montre la figure 5B.

#### RÉGLAGE POUR COUPES EN BISEAUX (FIG. 7)

#### DÉBRANCHER LA SCIE.

La gamme complète de réglage pour les coupes en biseau va de **0 À 50 DEGRÉS**. Le secteur est calibré en multiples de 1 degré.

Le mécanisme de réglage de l'angle de coupe se trouve à l'avant de la scie et il consiste en un secteur calibré (J) et en un bouton (K). Le réglage de la scie pour les coupes en biseau se fait en desserrant (dans le sens antihoraire) le bouton du secteur et en faisant basculer le patin jusqu'à l'obtention de l'angle voulu en alignant l'indicateur sur l'angle. Resserrer fermement le bouton (dans le sens horaire).

#### INDICATEUR À RAINURE (FIG. 8)

À l'avant du patin de la scie, il y a un indicateur à rainure (L) servant aux coupes à la verticale et en biseaux. L'indicateur permet de guider la scie le long des lignes de coupe tracées sur le matériau à découper. L'indicateur s'aligne sur le côté gauche (interne) de la lame de la scie permettant à la lame de couper à droite de l'indicateur. Guider la scie le long de la ligne de coupe tracée de sorte que l'indicateur se trouve du côté du surplus de matériau (fig. 9). La figure 9 montre les dimensions du patin. Le côté gauche mesure 13,3 cm (5 1/2 po) entre le côté gauche de la lame et l'extrémité gauche du patin (mesure standard d'une pièce de bois de 6 po sur X po), tandis que le côté droit mesure 38 mm (1 1/2 po) (mesure standard d'une pièce de bois de 2 po sur X po).

#### RÉGLAGE DU PATIN

La scie est réglée à l'usine pour assurer la précision des coupes verticales (angle de 90° entre

le dessous du patin (M) et la lame). Le rebord du patin est également réglé de façon à être parallèle à la lame afin de ne pas bloquer lorsqu'on utilise un guide. Dans le cas peu probable où il faudrait régler la scie, respecter les étapes suivantes.

#### RÉGLAGE POUR COUPES À ANGLES DE 90°

- DÉBRANCHER L'OUTIL.
- Régler la scie à la marque de 0°.
- Placer la scie sur le côté (fig. 9). Escamoter le protecteur.
- Desserrer le bouton du secteur. Placer un équerre contre la lame et le patin afin de régler l'angle à 90°.
- Relâcher l'écrou à six pans (N) et déplacer la vis de réglage de manière (O) à ce que le patin s'arrête à l'angle voulu, comme le montre la figure 11. Bloquer la vis en place en resserrant l'écrou à six pans.
- Il peut être nécessaire de régler l'indicateur du secteur de manière à l'aligner sur la mention «O» après avoir réglé le patin.

#### RÉGLAGE DU PATIN EN PARALLÈLE AVEC LA LAME

- DÉBRANCHER L'OUTIL.
- Desserrer l'écrou à six pans (N), puis tourner la vis de réglage dans le sens approprié afin d'obtenir un réglage parallèle.
- Régler le patin jusqu'à ce qu'il soit parallèle à la lame en mesurant à partir du rebord du patin jusqu'à la lame (à l'avant et à l'arrière). On peut mesurer à partir de la partie extérieure de la lame au patin (fig. 8) ou de la partie intérieure de la lame à la partie large du patin. (Ne jamais mesurer à partir du bout d'une dent de la lame.)
- Lorsque le patin est parallèle à la lame, fixer la vis de réglage en place en serrant l'écrou à six pans.

## FONCTIONNEMENT

### Interrupteur

Enfoncer la détente pour mettre le moteur en marche et la relâcher pour arrêter le moteur. Le dégagement de la détente entraîne automatiquement la mise en service du frein électrique (pour les modèles qui en sont dotés). L'outil ne peut pas être bloqué en marche continue et il ne faudrait jamais essayer de le bloquer dans cette position.

### Remplacement des lames

**▲ MISE EN GARDE : TOUJOURS ARRÊTER ET DÉBRANCHER L'OUTIL AVANT DE REM-PLACER UN ACCESSOIRE OU D'EFFECTUER UN RÉGLAGE.**

##### INSTALLATION DE LA LAME

- Placer la rondelle de bride de serrage interne (D) sur la broche de scie (la large surface plane doit être orientée vers l'extérieur, face à la lame, tel qu'illustré à la figure 2).
- Escamoter le protège-lame inférieur (C) et placer la lame sur la broche, contre la rondelle de bride de serrage interne, en s'assurant que la lame tourne dans le bon sens (le sens de la flèche de rotation située sur la lame et les dents doivent pointer dans la même direction que celle de la flèche indiquée sur la scie). Ne pas assumer que le côté imprimé de la lame est toujours face à l'utilisateur lorsqu'elle est installée correctement. Lorsqu'on escamote le protège-lame inférieur en vue d'installer la lame, le vérifier afin de s'assurer qu'il est en bon état et qu'il fonctionne correctement, c'est-à-dire, qu'il se déplace librement et qu'il ne touche pas à la lame ni à toute autre pièce quelconque, quel que soit l'angle ou la profondeur de coupe.
- Placer la rondelle de bride de serrage externe (F) sur la broche de scie, en s'assurant de placer la large surface plane contre la lame, et le côté imprimé de la rondelle face à l'utilisateur.
- Fileter la vis de fixation de la lame (G) dans la broche et la serrer fermement avec les doigts.
- Appuyer sur le bouton de verrouillage de la lame (B) et tourner la broche au moyen de la clé de réglage de la lame jusqu'à ce que le bouton de verrouillage s'engage et que la lame s'immobilise (figure 3).
- Serrer fermement la vis de fixation au moyen de la clé de réglage.

**REMARQUE :** Ne jamais engager le bouton de verrouillage de la lame lorsque la scie est en marche pour tenter d'arrêter l'outil. Ne jamais mettre l'outil en marche lorsque le bouton de verrouillage est engagé afin d'éviter d'endommager gravement la scie.

##### REMPACEMENT DE LA LAME

- Pour desserrer la vis de fixation de la lame (G), appuyer sur son bouton de verrouillage (B) et tourner la broche au moyen de la clé de réglage jusqu'à ce que le bouton de verrouillage s'engage et que la lame s'immobilise. Une fois le bouton engagé, tourner la vis de fixation de la lame vers la droite au moyen de la clé (cette vis à filetage doit être serrée vers la gauche).
- Retirer la vis de fixation (G) et la rondelle de bride de serrage externe (F) seulement, puis enlever l'ancienne lame.
- Enlever la sciure qui aurait pu s'accumuler dans le protège-lame ou autour de la rondelle et vérifier le protège-lame inférieur afin de s'assurer qu'il est en bon état et qu'il fonctionne correctement, tel que décrit précédemment. Ne pas lubrifier cette zone.
- Choisir la lame qui convient à la tâche (voir la section « **Lames** » du présent guide). Toujours utiliser une lame de dimension (diamètre) appropriés munie d'un orifice de dimension et de forme appropriées en vue de leur installation sur la broche. Toujours s'assurer que la vitesse maximale recommandée (tr/min) indiquée sur la lame est égale ou supérieure à la vitesse (tr/min) de la scie.
- Suivre les étapes de 2 à 6 décrites à la section « **Installation de la lame** » du présent guide, en s'assurant que la lame tourne dans le bon sens.

#### PROTÈGE-LAME INFÉRIEUR

**▲ AVERTISSEMENT : Le protège-lame inférieur est un dispositif de sécurité qui réduit les risques de blessure grave. Ne jamais utiliser la scie lorsque le protège-lame inférieur est manquant, endommagé, mal assemblé ou en mauvais état de fonctionnement. Ne pas se fier sur le protège-lame inférieur pour se protéger sous toutes les circonstances. Pour assurer sa propre sécurité, on doit suivre toutes les mesures de précaution et consignes de sécurité décrites ci-dessous et utiliser l'outil correctement. Vérifier le protège-lame inférieur avant chaque utilisation afin de s'assurer qu'il se ferme correctement, tel que décrit à la section « Règles de sécurité additionnelles concernant les scies circulaires » du présent guide. Lorsque le protège-lame inférieur est manquant ou qu'il ne fonctionne pas bien, apporter la scie à un centre de service autorisé avant de l'utiliser. Pour assurer la sécurité et la fiabilité de ce produit, toutes les opérations de réparation, d'entretien et de réglage doivent être effectuées dans un centre de service autorisé ou par du personnel qualifié; on ne doit utiliser que des pièces de rechange identiques.**

### Soutien du Matériau à Découper

La figure 12 illustre la meilleure position de coupe. Il faut toujours éloigner les mains de la zone de coupe et le cordon électrique est tenu à l'écart de la zone de coupe de sorte qu'il ne peut s'accrocher sur la surface de travail.

Pour éviter les risques de rebond, INSTALLER UN SUPPORT PRÈS de la ligne de coupe (fig. 13). NE PAS installer le support loin de la ligne de coupe (fig. 14). Lorsqu'on fend de longues bandes étroites, il faut soutenir le matériau de rebut.

Lorsqu'on se sert de la scie, éloigner le cordon de la zone de coupe et l'empêcher de s'accrocher sur la surface de travail. Prendre note que la poignée de la scie est dotée d'un serre-fil conçu spécialement à cet effet. Il suffit de fixer le cordon dans le serre-fil afin de le maintenir à l'écart de la zone de coupe.

**▲ AVERTISSEMENT : Il est essentiel de bien soutenir la pièce à découper et de bien saisir la scie afin de prévenir les risques de blessures. La figure 12 montre la bonne façon de tenir l'outil.**

**TOUJOURS DÉBRANCHER LA SCIE AVANT DE LA RÉGLER.** Placer le «bon» côté du matériau à découper (celui dont l'apparence importe le plus) vers le bas. En effet, la scie coupe vers le haut de sorte que les éclats se trouvent sur la face supérieure de la pièce.

Soutenir la pièce à découper de sorte que la ligne de coupe se trouve sur la droite de l'utilisateur. Placer la plus grosse partie du patin sur la section de la pièce à découper qui est solidement soutenue, et non sur le matériau qui tombe suite à la coupe. La figure 15 donne un exemple de la BONNE façon de découper l'extrémité de la pièce, et la figure 16 illustre la MAUVAISE façon de le faire. Toujours fixer la pièce à découper. Ne pas retenir les petites pièces à découper à la main! Soutenir les pièces en porte-à-faux ou en saillie. Tailler avec soin des pièces du dessous.

#### COUPE

S'assurer que la scie tourne à plein régime avant d'insérer la lame dans la pièce à découper. Il existe des risques de rebond lorsqu'on démarre la scie et que la lame est contre la pièce à découper ou que la lame se trouve dans la rainure.

Faire avancer la scie à une vitesse qui ne force pas la lame. La difficulté de la coupe peut varier dans une même pièce en raison de la teneur en humidité et en noeuds du bois. Lorsque l'humidité et les noeuds exercent une surcharge sur la scie, la faire avancer lentement mais assez fermement pour que la scie maintienne son régime. Lorsqu'on force la scie, on obtient des coupes imprécises et rudes, et il y a risque de rebonds ou de surchauffe du moteur.

Lorsque la scie s'éloigne de la ligne de coupe, ne pas la forcer dans le sens voulu. relâcher la détente de l'interrupteur et attendre l'immobilisation complète de la lame. Retirer alors la lame de la pièce et reprendre la coupe dans la trajectoire voulue. Dans tous les cas, il faut retirer la lame de la pièce pour modifier le sens de la coupe. Autrement, on peut faire caler la scie et cela présente des risques de rebonds. **LORSQUE LA SCIE CALE, RELÂCHER L'INTERRUPTEUR À DÉTENTE ET RETIRER LA SCIE DE LA PIÈCE. S'ASSURER QUE LA LAME EST DROITE DANS LA LIGNE DE COUPE AVANT DE REPRENDRE LES TRAVAUX.**

Lorsque la coupe est terminée, relâcher l'interrupteur et attendre l'immobilisation de la lame avant de sortir la scie de la pièce. Lorsqu'on soulève la scie, le protecteur télescopique à ressort se referme automatiquement sous la lame. Se rappeler que la lame est à découvert jusqu'à ce qu'on la retire de la pièce. C'est pourquoi il ne faut jamais mettre les mains sous la pièce. Lorsqu'il faut escamoter le protecteur télescopique à la main (comme il faut faire avant une coupe en retrait, par exemple), toujours utiliser le ressort de rappel.

**NOTE :** Lorsqu'on découpe de minces sections de matériau, s'assurer que les petites pièces détachées ne s'accrochent pas à l'intérieur du protecteur inférieur.



Toujours utiliser un guide de refente ou un guide à rebord droit pour les coupes de refente.

**COUPES EN RETRAIT (FIG. 17)**

DÉBRANCHER LA SCIE. Régler le patin de sorte que la lame coupe à la profondeur voulue. Faire basculer la scie vers l'avant et appuyer le devant du patin contre le matériau à découper. À l'aide du ressort de rappel, escamoter le protecteur vers le haut. Abaisser l'arrière du patin jusqu'à ce que les dents de la lame touchent presque à la ligne de coupe. À ce moment, relâcher le protecteur, son contact avec la pièce le met dans une position lui permettant de s'ouvrir facilement au moment de la coupe. Mettre le moteur en marche et abaisser graduellement la scie jusqu'à ce que le patin repose contre le matériau à découper. Faire avancer la scie le long de la ligne de coupe jusqu'à la fin des travaux. Relâcher la détente et attendre l'immobilisation de la lame avant de retirer cette dernière du matériau. Répéter les étapes précédentes à chaque nouvelle coupe. Ne jamais bloquer le protecteur en position ouverte.

### Rebond

Lorsque la lame se coince dans la pièce à découper, il y a risque de rebond. La scie sort alors rapidement de la pièce à découper vers l'utilisateur. Lorsque la lame est coincée en raison de la fermeture de la rainure, la lame se bloque et la réaction du moteur fait sortir la scie de la pièce à découper vers l'arrière. Lorsque la lame est coincée ou n'est pas bien alignée sur la ligne de coupe, les dents à l'arrière de la lame peuvent creuser la surface supérieure de la pièce faisant sortir la lame de la rainure, vers l'utilisateur.

Les situations suivantes présentent des risques de rebond.

- MAUVAIS SOUTIEN DE LA PIÈCE À DÉCOUPER
  - L'affaissement ou le mauvais soutien de la pièce découpée peut causer le blocage de la lame.
  - Le découpage d'un matériau seulement soutenu à l'extrémité externe (voir la figure 14) fait affaisser le matériau à mesure qu'il s'affaiblit, refermant ainsi la rainure et bloquant la lame.
  - Le découpage d'une pièce en porte-à-faux ou en saillie à partir du bas vers le haut, à la verticale, provoque le blocage de la lame lorsque la pièce découpée tombe.
  - Le découpage de longues bandes étroites (coupes en refente) peut causer l'affaissement ou la torsion de la bande bloquant ainsi la rainure et coinçant la lame.
  - L'accrochage du protecteur inférieur sur la surface sous le matériau peut réduire momentanément la maîtrise de l'utilisateur sur l'outil. La scie peut alors sortir en partie de la pièce augmentant le risque de torsion de la lame.
- RÉGLAGE INCORRECT DE LA PROFONDEUR DE COUPE

Lorsque le réglage de la profondeur de coupe dépasse la profondeur requise, la charge de l'outil ainsi que les risques de torsion de la lame dans la rainure augmentent. Le réglage incorrect augmente également la surface de coinçage de la lame dans le cas où la rainure se referme.
- TORSION DE LA LAME (COUPE MAL ALIGNÉE)
  - Le fait de pousser fort pour découper un noeud, un clou ou une section à grain dur peut provoquer la torsion de la lame.
  - Lorsqu'on essaie de faire dévier la scie pendant le découpage (pour revenir dans la ligne de coupe) peut également provoquer la torsion de la lame.
  - Le fait de s'étirer hors de sa portée ou de ne pas garder son équilibre peut causer la torsion de la lame.
  - Le changement de position des mains ou du corps pendant la coupe peut provoquer la torsion de la lame.
  - Le retrait de la scie pour dégager la lame peut faire tordre la lame si le retrait ne se fait pas soigneusement.
- MATÉRIAUX PRÉSENTANT DES RISQUES
  - Le bois qui est humide.
  - Le bois vert; qui est frais coupé ou qui n'est pas encore passé au séchoir.
  - Le bois qui est traité à la pression (traité avec des agents de conservation ou des produits chimiques contre la moisissure).
- UTILISATION DE LAMES ÉMOUSSÉES OU SALES

Les lames émoussées augmentent la charge de la scie. Pour compenser, l'utilisateur pousse habituellement fort ce qui charge un peu plus la scie et occasionne la torsion de la lame dans la rainure. Les lames usées n'ont pas suffisamment de jeu ce qui augmente les risques de pliage et de surcharge.
- RETRAIT DE LA SCIE PENDANT LES COUPES EN BISEAU

Les coupes en biseau doivent être faites en respectant un certain nombre de techniques, particulièrement le guidage de la scie. En effet, l'angle de la lame au patin et la grande surface de la lame sur le matériau augmentent les risques de pliage et de torsion.
- REDÉMARRAGE D'UNE COUPE AVEC LES DENTS DE LA LAME COINCÉES DANS LE MATÉRIAU

Il faut attendre que la scie atteigne son plein régime avant de commencer à découper ou avant de remettre la scie en marche. Autrement, la scie peut caler ou rebondir.

Toute autre condition qui peut occasionner le coincement, le pliage, la torsion ou l'alignement incorrect de la lame peut également résulter en un rebond. Consulter les rubriques relatives aux réglages et au montage ainsi qu'au fonctionnement de la scie afin de minimiser les risques de rebond.

### Lames

Une lame émoussée procure des coupes lentes et inefficaces qui augmentent la surcharge du moteur, la production excessive d'éclats et les risques de rebond. C'est pourquoi il est conseillé d'avoir à portée de la main quelques lames de rechange qui sont utiles lorsque les lames émoussées se font affûtées (voir la rubrique «Scies - Aiguisage et réparation» des Pages Jaunes). En fait, dans le cas de nombreux types de lames, l'achat de nouvelles lames est plus économique que l'affûtage des lames.

La gomme durcie sur la lame ralentit la coupe. Utiliser du kérosène, de la térébenthine ou du nettoyeur à four pour enlever la gomme.

DeWALT fabrique une gamme complète de lames et les lames suivantes sont vendues au centre de service de la région.

EXAMINER LES LAMES AU CARBURE AVANT DE S'EN SERVIR. LES REMPLACER AU BESOIN.

### Nettoyage et lubrification

Se servir d'un savon doux et d'un chiffon humide pour nettoyer l'outil. Ne laisser aucun liquide s'infiltrer dans l'outil et ne jamais immerger l'outil.

L'outil est monté sur des roulements à billes et à rouleaux autolubrifiants qui ne requièrent pas de lubrification périodique. Il est toutefois conseillé de confier l'outil une fois l'an à un centre de service pour faire nettoyer à fond, inspecter et lubrifier le boîtier des engrenages.

### Accessoires

Les accessoires recommandés pour l'outil sont vendus séparément au centre de service de la région.

Pour trouver un accessoire, prière de communiquer à l'adresse suivante, DeWALT Industrial Tool Co., 701 East Joppa Road, Baltimore, MD 21286 ou composer le numéro suivant, 1 (800) 4-DeWALT (1 (800) 433-9258).

- GUIDE DE REFENTE - se fixe sur le dessus du patin ; permet des coupes en refente sans avoir à tracer la ligne de coupe au préalable.
- RAPPORTEUR - permet des coupes précises de 0° à 70°.
- GUIDE DE TRONÇONNAGE - pour coupes entre 45° et 90°.

**▲ MISE EN GARDE : L'utilisation de tout accessoire non recommandé peut être dangereuse.**

### Réparations

Pour assurer la SÉCURITÉ D'EMPLOI et la FIABILITÉ de l'outil, n'en confier la réparation, l'entretien et les rajustements (y compris l'inspection et le remplacement des balais) qu'au personnel d'un centre de service DeWALT ou d'un atelier d'entretien autorisé n'utilisant que des pièces de rechange identiques.

### Garantie limitée de trois ans

DeWALT réparera, sans frais, tout produit défectueux causé par un défaut de matériel ou de fabrication pour une période de trois ans à compter de la date d'achat. La présente garantie ne couvre pas les pièces dont la défectuosité a été causée par une usure normale ou l'usage abusif de l'outil. Pour obtenir de plus amples renseignements sur les pièces ou les réparations couvertes par la présente garantie, visiter le site www.dewalt.com ou composer le 1 800 433-9258 (1 800 4-DeWALT). Cette garantie ne s'applique pas aux accessoires et ne vise pas les dommages causés par des réparations effectuées par un tiers. Cette garantie confère des droits légaux particuliers à l'acheteur, mais celui-ci pourrait aussi bénéficier d'autres droits variant d'un état ou d'une province à l'autre.

En plus de la présente garantie, les outils DeWALT sont couverts par notre :

#### CONTRAT D'ENTRETIEN GRATUIT D'UN AN

DeWALT entretiendra l'outil et remplacera les pièces usées au cours d'une utilisation normale et ce, gratuitement, pendant une période d'un an à compter de la date d'achat, et la

#### GARANTIE DE REMBOURSEMENT DE 90 JOURS

Si l'acheteur n'est pas entièrement satisfait, pour quelque raison que ce soit, du rendement de l'outil électrique, du laser ou de la cloueuse DeWALT, celui-ci peut le retourner, accompagné d'un reçu, dans les 90 jours à compter de la date d'achat, pour obtenir un remboursement intégal, sans aucun problème.

**REMPACEMENT GRATUIT DE L'ÉTIQUETTE**: Si vos étiquettes d'avertissement deviennent illisibles ou sont manquantes, composez le 1-800-4-DeWALT pour obtenir une étiquette de remplacement gratuite.

### Instrucciones importantes de seguridad

**▲ ADVERTENCIA**: *Es indispensable sujetarse a las precauciones básicas de seguridad, con la finalidad de reducir el peligro de incendio, choque eléctrico y lesiones personales, en todas las ocasiones en que se utilicen herramientas eléctricas. Entre estas precauciones se incluyen las siguientes.*

### LEA TODAS LAS INSTRUCCIONES

#### Doble aislamiento

Las herramientas con doble aislamiento se han elaborado de manera integral con dos capas separadas o una capa de espesor doble de aislamiento eléctrico entre usted y el sistema eléctrico que contienen. Las herramientas elaboradas con este sistema de aislamiento no requieren conectarse a tierra. Como resultado, su unidad esta equipada con una clavija de dos patas que le permite emplear cordones de extensión sin preocuparse por tener una conexión a tierra.

**NOTA**: El doble aislamiento no substituye a las precauciones normales de seguridad cuando se opera esta herramienta. La finalidad de este sistema de aislamiento es ofrecer a usted protección añadida contra la lesión resultante de fallas en el aislamiento eléctrico interno de la herramienta.

**▲ PRECAUCION**: *UTILICE SOLAMENTE REFACCIONES ORIGINALES CUANDO HAGA SERVICIO A SU HERRAMIENTA. Reemplace los cordones eléctricos dañados.*

### Clavija polarizada

Se emplean clavijas polarizadas (con una pata más ancha que la otra) para reducir los riesgos de choque eléctrico. Cuando el cordón eléctrico cuente con este tipo de clavija, ajustará en un contacto polarizado solamente de una manera. Si la clavija no ajusta completamente en su contacto, inviértala. Si aún así no ajusta, llame a un electricista calificado para que le instale un contacto polarizado apropiado. No modifique o haga cambios en la clavija por ningún motivo.

### Instrucciones de seguridad para todas las herramientas

- CONSERVE LIMPIA LA ZONA DE TRABAJO.** *Las superficies y los bancos con objetos acumulados en desorden propician los accidentes.*
- OTORGUE PRIORIDAD AL AMBIENTE DE TRABAJO.** *No deje las herramientas eléctricas expuestas a la lluvia. No las utilice en lugares inundados o mojados. Conserve bien iluminada la zona de trabajo.*
- PROTEJASE CONTRA EL CHOQUE ELECTRICO.** *Evite el contacto corporal con superficies aterrizadas, por ejemplo, tuberías, radiadores, antenas y gabinetes de refrigeración.*
- CONSERVE APARTADOS A LOS NIÑOS.** *No permita que los visitantes toquen las herramientas o los cables de extensión. Los visitantes deben estar alejados del área de trabajo.*
- GUARDE LAS HERRAMIENTAS QUE NO EMPLEE.** *Las herramientas que no se están utilizando deben guardarse en un lugar seco y elevado o bajo llave, fuera del alcance de los niños.*
- NO FUERCE LA HERRAMIENTA.** *Esta cumplirá su función mejor y con más seguridad a la velocidad y la presión para las que se diseñó.*
- EMPLEE LA HERRAMIENTA ADECUADA.** *No fuerce a una herramienta pequeña o a sus dispositivos de montaje en un trabajo de tipo pesado. No emplee la herramienta en una tarea para la que no se diseñó; por ejemplo, no recurra a una sierra circular para cortar ramas o troncos de árbol.*
- VISTASE DE LA MANERA ADECUADA.** *No tenga puestas ropas o artículos de joyería flojos, pues podrían quedar atrapados por las partes móviles de las herramientas. Se recomienda el empleo de guantes de caucho y calzado antiderrapante cuando se trabaja al aire libre. Cúbrase bien la cabeza para sujetarse el pelo si lo tiene largo. Las rejillas de ventilación cubren partes móviles y también deben evitarse.*
- COLOQUESE ANTEOJOS DE SEGURIDAD.** *Póngase también una mascarilla contra el polvo si lo produce la operación de corte que va a efectuar.*
- TENGA MUCHO CUIDADO CON EL CORDON ELECTRICO.** *Nunca levante la herramienta por el cordón ni tire de éste para desconectarlo del enchufe. Apártelo del calor y los objetos calientes, las sustancias grasosas y los bordes cortantes.*
- SUJETE FIRMEMENTE LOS OBJETOS SOBRE LOS QUE TRABAJE.** *Utilice prensas o tornillos de banco para sujetar bien los objetos sobre los que va a trabajar. Esto ofrece mayor seguridad que sujetar los objetos con la mano, y además deja libres ambas manos para operar la herramienta.*
- NO SALGA DE EQUILIBRIO.** *Conserve en todo momento bien apoyados los pies, lo mismo que el equilibrio.*
- CUIDE BIEN SUS HERRAMIENTAS.** *Conserve sus herramientas bien afiladas y limpias para que funcionen mejor y con mayor seguridad. Obedezca las instrucciones de lubricación y cambio de accesorios. Inspeccione los cordones eléctricos con frecuencia y, si los encuentra dañados, hágalos cambiar o reparar en un centro de servicio autorizado. Revise también con frecuencia las extensiones eléctricas y reemplácelas si están dañadas. Conserve los mangos secos, limpios y libres de aceites y grasas.*
- DESCONECTE LAS HERRAMIENTAS.** *Hágalo cuando no las emplee, antes de darles servicio y cuando vaya a cambiarles accesorios como seguetas, discos, brocas y otros dispositivos de corte.*
- RETIRE LAS LLAVES DE AJUSTE Y DE TUERCAS.** *Adquiera el hábito de asegurarse de que se han retirado las llaves de ajuste de la herramienta antes de accionarla.*
- EVITE QUE LA HERRAMIENTA SE ACCIONE ACCIDENTALMENTE.** *Nunca sostenga una herramienta con el dedo en el interruptor si se encuentra conectada a la corriente eléctrica. Asegúrese que el interruptor está en la posición de “apagado” antes de conectarla.*
- CORDONES DE EXTENSION.** *Asegúrese que su extensión esté en buenas condiciones. Cuando utilice un cordón de extensión, asegúrese de emplear uno con el calibre suficiente para soportar la corriente necesaria para su producto. Una extensión con calibre menor al necesario causará una caída en el voltaje de la línea, resultando en pérdida de potencia y sobrecalentamiento. El cuadro siguiente muestra los calibres correctos para usarse de acuerdo con la longitud de la extensión y el amperaje especificado. Si tiene dudas, utilice el calibre siguiente, más pesado. Cuanto más pequeño el número de calibre del alambre, mayor la capacidad del cable.*

		<b>Calibre mínimo para cordones de extensión</b>			
<b>Volts</b>		<b>Longitud total del cordón en metros</b>			
120V		0-7,6	7,6-15,2	15,2-30,4	30,4-45,7
240V		0-15,2	15,2-30,4	30,4-60,9	60,9-91,4
<b>AMPERAJE</b>					
Más de	No más de	<b>Calibre del cordón AWG</b>			
0	- 6	18	16	16	14
6	- 10	18	16	14	12
10	- 12	16	16	14	12
12	- 16	14	12	No recomendado	

- CORDONES DE EXTENSION PARA INTEMPERIE.** *Cuando trabaje a la intemperie, utilice siempre cordones de extensión diseñados exclusivamente para esta finalidad.*
- NO SE DISTRAIGA.** *Concéntrese en lo que está haciendo. Recurra al sentido común. No opere ninguna herramienta si se encuentra fatigado.*
- VERIFIQUE LAS PARTES DAÑADAS.** *Antes de seguir empleando cualquier herramienta, es indispensable verificar con mucho cuidado que las guardas u otras partes dañadas puedan operar de la manera adecuada para cumplir con su función. Verifique la alineación de las partes móviles, la firmeza con que deben encontrarse sujetas en sus montaduras, las partes rotas, las propias montaduras y cualesquiera otros detalles que pudieran afectar a la operación de la herramienta. Las guardas y las otras partes que se encuentren dañadas deberán repararse bien o cambiarse en un centro de servicio autorizado, a menos que se diga otra cosa en el manual del usuario. Haga que se cambien los interruptores dañados en un centro de servicio autorizado. No emplee ninguna herramienta que tenga inutilizado o estropeado el interruptor.*

### Reglas adicionales de seguridad para sierras circulares

**▲ PRECAUCION**: *Cuando emplee esta herramienta para el corte sobre paredes, suelos u otras zonas en las que puedan encontrarse cables eléctricos “vivos”, ¡NO TOQUE NINGUNA PARTE METALICA FRONTAL DE LA MISMA! Sostenga la sierra sólo por las superficies aislantes de plástico para evitar el choque eléctrico si la sierra entrara en contacto con un cable “vivo”.*

- CONSERVE LAS GUARDAS EN POSICIÓN Y FUNCIONANDO CORRECTAMENTE.** *Nunca ate o sostenga abierta la guarda inferior. Verifique el funcionamiento de ésta antes de cualquier operación. No emplee la herramienta si la guarda no cierra completamente sobre el disco.*

**▲ PRECAUCION**: *Si se suelta la sierra, la guarda inferior puede abollarse y restringir la carrera. No opere la herramienta mientras no haya sido reparada.*

- CONSERVE LOS DISCOS LIMPIOS Y CON FILO.** *Los discos afiliados minimizan atascos, sobrecarga y contragolpes.*

**▲ PELIGRO: CONSERVE LAS MANOS LEJOS DEL AREA DE CORTE.** *Mantenga las manos alejadas del disco. No las coloque por debajo de la pieza de trabajo mientras el disco gire. No intente remover el material cortado cuando la sierra se encuentre en movimiento.*

**▲ PRECAUCION**: *El disco continúa en movimiento aún después que se ha soltado el gatillo.*

- APOYE BIEN PANELES LARGOS.** *Los paneles grandes se deben soportar como se ilustra en la figura 16 para minimizar el riesgo de sobrecarga o de contragolpes al atorarse el disco. Cuando la operación de corte requiera que la sierra descansa sobre la pieza de trabajo, ésta debe descansar sobre la parte mayor, y la parte menor debe ser la que se retire.*
- UTILICE UNA GUIA.** *Emplee siempre una guía cuando vaya a hacer cortes al hilo.*
- PROTEJASE CONTRA LOS CONTRAGOLPES.** *Los contragolpes ocurren cuando la sierra comienza a atascarse rápidamente y salta hacia el operador. Libere el interruptor inmediatamente si el disco se traba o la sierra se atasca. Conserve afilados los discos. Soporte los*



*páneles grandes como se muestra en la figura 16. Utilice una guía. No fuerce la herramienta, y manténgase alerta y en control de la situación No retire la sierra de un corte mientras el disco esté en movimiento.*

- GUARDA INFERIOR.** Levante la guarda inferior con el mecanismo retráctil.
- AJUSTES.** Antes de cortar, asegúrese que los ajustes de profundidad y bisel estén *apretados*
- EMPLEE SOLAMENTE LOS DISCOS CORRECTOS EN EL MONTAJE.** No use discos con orificios de tamaño incorrecto. Nunca emplee pernos o tuercas defectuosos o inapropiados.
- EVITE CORTAR CLAVOS.** Busque y retire todos los clavos de la madera antes de cortar.

**⚠ PRECAUCION:** *Utilice la protección auditiva apropiada durante el uso. Bajo ciertas condiciones de duración de uso, el ruido producido por este producto puede contribuir a la pérdida auditiva.*

**⚠ ADVERTENCIA:** *Parte del polvo creado al lijar, aserruchar, moler o perforar con máquina, así como al realizar otras actividades de la construcción, contiene sustancias químicas que se sabe producen cáncer, defectos congénitos u otras afecciones reproductivas. Algunos ejemplos de esas sustancias químicas son:*

- plomo de pinturas a base de plomo,*
- sílice cristalizado de ladrillos y cemento y otros productos de albañilería, y*
- arsénico y cromo de la madera químicamente tratada (CCA).*

*El riesgo al contacto con estas sustancias varía, según la frecuencia en que se haga este tipo de trabajo. Para reducir la exposición a esas sustancias químicas: trabaje en un área bien ventilada, y trabaje con equipos de seguridad aprobados, tales como máscaras contra el polvo especialmente diseñadas para filtrar las partículas microscópicas.*

- Evite el contacto prolongado con polvos originados por lijar, aserrar, esmerilar, taladrar y otras actividades constructivas. Vista ropas protectoras y lave las áreas expuestas con agua y jabón.** Permitir que el polvo se introduzca en su boca, ojos, o dejarlo sobre la piel promueve la absorción de químicos dañinos.

**⚠ ADVERTENCIA:** *La utilización de esta herramienta puede originar polvo o dispersarlo, lo que podría causar daños graves y permanentes al sistema respiratorio, así como otras lesiones. Siempre use protección respiratoria aprobada por NIOSH/OSHA, apropiada para su uso en condiciones de exposición al polvo. Procure que las partículas no se proyecten directamente sobre su rostro o su cuerpo.*

## CONSERVE ESTAS INSTRUCCIONES

### Motor

Su herramienta DEWALT cuenta con un motor DEWALT integrado. Asegúrese que el voltaje de su toma de corriente concuerda con las especificaciones de la placa de la unidad. 120 Volts AC/DC indican que su herramienta puede operarse con corriente alterna o con corriente continua. Las disminuciones del voltaje mayores de 10% harán que la herramienta pierda potencia y se sobrecaliente. Todas las herramientas DEWALT se han probado en fábrica; si ésta no operara, verifique la toma de corriente del sitio en que la opera.

### Freno Eléctrico

Su sierra cuenta con un freno eléctrico automático diseñado para detener el movimiento del disco aproximadamente dos segundos después que se ha liberado el gatillo interruptor. Esto es de gran utilidad al hacer ciertos cortes en madera en los que la rotación continua del disco daría como resultado un corte impreciso.

Ocasionalmente, bajo ciertas condiciones, el freno puede no funcionar correctamente y no detendrá la sierra en los dos segundos antes mencionados. Si persiste este problema, encienda y apague la sierra cuatro o cinco veces. Si el freno no detiene al disco en dos segundos, el problema puede deberse a carbones desgastados. Reemplace los carbones como se describe a continuación y pruebe de nuevo. Si el problema continúa, lleve su unidad a servicio a un Centro de Servicio DEWALT certificado.

### Carbones

**DESCONECTE LA CLAVIJA DE LA TOMA DE CORRIENTE.**

Inspeccione los carbones regularmente siguiendo estos pasos: desconecte la herramienta, retire la tapa de inspección de carbones (A) y desmonte el ensamble de éstos (Fig. 1). Conserve limpios los carbones y asegúrese de que deslicen libremente en sus guías. Siempre vuelva a colocar un carbón usado en su sujetador en la misma orientación que tenía antes de quitarlo. Los carbones tienen varios símbolos estampados a los lados; si se han desgastado hasta la línea más cercana al resorte, deberán reemplazarse. Emplee solamente carbones DEWALT idénticos. Cambie siempre ambos carbones. El uso de carbones de grado correcto es esencial para el funcionamiento adecuado del freno eléctrico. Hay juegos de carbones nuevos a su disposición en su Centro de Servicio local. Se debe dejar en funcionamiento la unidad “sin carga” (en operación sin disco) por 10 minutos antes de usarla para asentar los carbones nuevos. Esto es de especial importancia en sierras con freno eléctrico, que podrían tener un funcionamiento errático mientras los carbones no se encuentren asentados.

Mientras deja funcionando la unidad “sin carga”, NO AMARRE, PEGUE O TRABE DE ALGUNA OTRA MANERA EL GATILLO INTERRUPTOR. SUJETELO ÚNICAMENTE CON LA PRESSION DEL DEDO.

### Ajustes iniciales

**COLOCACION Y REMOCION DE DISCOS (FIG. 2)**

**DESCONECTE LA CLAVIJA DE LA TOMA DE CORRIENTE**

Para colocar un disco, recorra la guarda inferior (C) y coloque la roldana de seguridad interior (D) y el disco en la flecha (E), con el lado impreso del disco hacia afuera (los dientes en la parte baja del disco apuntando hacia adelante). Coloque la roldana de seguridad exterior (F). La superficie mayor de ambas roldanas debe quedar de cara al disco. Enrosque el tornillo de sujeción (G) firmemente a mano para retener las roldanas en su posición.

Oprima levemente el seguro del disco (B) al girar la flecha hasta que el disco deje de girar. Apriete el tornillo de sujeción del disco (en el sentido de las manecillas del reloj) firmemente con la llave del disco (figura 3).

NUNCA TRABE EL SEGURO DEL DISCO CON LA UNIDAD EN OPERACION O PARA TRATAR DE DETENERLA. TAMPOCO ENCIENDA EL INTERRUPTOR MIENTRAS EL SEGURO DEL DISCO ESTE TRABADO. SU SIERRA PUEDE RESULTAR CON DAÑOS SEVEROS.

Para quitar el disco, desconecte primero la sierra. Trabe el seguro del disco y desenrosque el tornillo de sujeción girándolo en dirección contraria a la de las manecillas del reloj con la llave del disco.

**AJUSTE DE LA PROFUNDIDAD DE CORTE (FIG. 4)**

**DESCONECTE LA CLAVIJA DE LA TOMA DE CORRIENTE**

Afloje (sentido contrario a las manecillas del reloj) la perilla de ajuste de profundidad de corte (H). Tome el mango de la sierra como se muestra en la figura para ajustarla a la altura deseada. Apriete la perilla para asegurarla en posición. Si no puede ajustar la profundidad de corte, revise las piezas en busca de daños y repárelos antes de continuar. La sierra cuenta con una escala y un indicador para permitirle (I) seleccionar una profundidad de corte específica. Simplemente haga coincidir el indicador con la profundidad de corte deseada.

**NOTA:** Para ajustar el indicador de profundidad de corte para discos de diferentes diámetros, afloje la perilla de ajuste de profundidad de corte y levante la sierra hasta que el disco toque apenas la pieza de trabajo y apriete la perilla. Esta es la posición de profundidad cero. Si se requiere, afloje el tornillo que sujeta el indicador y ajuste éste a la marca que indica el cero. La sierra esta ajustada ahora para indicar con precisión la profundidad de corte para el disco que está empleando.

Para obtener la más eficiente acción de corte con un disco de carburo, coloque el ajuste de profundidad de manera que la mitad de un diente se proyecte por debajo de la pieza a cortar. La altura de un diente completo es igual a la distancia entre la punta del diente y el fondo de garganta que sigue. Examine las figuras 5A y 5B para determinar la mitad referida. (la figura 5A muestra la mitad del diente proyectada por debajo de la superficie y la 5B muestra un diente salido por completo.)

El ajuste de la sierra a la profundidad adecuada conserva al mínimo la fricción en el disco y remueve el aserrín de los dientes de la sierra, lo que da como resultado un aserrado más frío y rápido y reduce el peligro de contragolpe.

En la figura 6 se ilustra un método para verificar que los ajustes de profundidad de corte sean los adecuados. Coloque una pieza del material que va a cortar junto al disco, como se muestra en dicha figura, y observe qué parte del diente se proyecta desde la pieza.

**NOTA:** Cuando utilice un disco con dientes que no sean de carburo, haga una excepción al procedimiento señalado y permita que el diente salga por completo, como se ilustra en la figura 5B.

**AJUSTE DEL ANGULO DE BISEL (FIG. 7)**

**DESCONECTE LA SIERRA DE LA TOMA DE CORRIENTE**

La capacidad de ajuste del ángulo de bisel es de **0 a 50 GRADOS**. El cuadrante (J) se encuentra graduado en incrementos de 1 grado.

En la parte frontal de la sierra hay un mecanismo de ajuste del ángulo de bisel (figura 8) que consiste en un cuadrante calibrado (J) y una perilla (K). A fin de ajustar la sierra para cortar a bisel, afloje la perilla del cuadrante (contra las manecillas del reloj) y gire la zapata hasta el ángulo deseado haciendo que coincida la aguja con la marca del ángulo que se desea. Reapriete firmemente la perilla (en el sentido de las manecillas del reloj).

**INDICADOR DE CORTE (FIG. 8)**

El frente de la zapata está provisto con un indicador (L) para cortes verticales y a bisel. Este indicador le permite guiar la sierra a lo largo de líneas trazadas con lápiz en la pieza por cortar. El indicador está alineado con el lado izquierdo (interior) del disco, lo que hace que la línea de corte quede a la derecha del indicador. Guíe la unidad a lo largo de la línea trazada con lápiz, de manera que el corte quede en la zona de desperdicio o en el sobrante Ver la figura 9. Esta figura muestra las dimensiones de la zapata. Observe que el lado izquierdo está a 13,3 cm (5-1/2") de distancia entre el lado izquierdo del disco y el extremo izquierdo de la zapata. La dimensión del lado derecho es de 38 mm (1-1/2").

**ALINEACION DE LA ZAPATA**

Su sierra está ajustada de origen para cortes verticales precisos (ángulo de 90° entre la parte inferior de la zapata(M) y el disco). El extremo de la zapata se ha ajustado en paralelo al disco para no permitir desviaciones cuando se utilice una guía. Si la unidad requiriera algún ajuste, este se puede hacer de la siguiente manera:

**AJUSTE PARA CORTES A 90° (FIG. 9-11)**

1. DESCONECTE LA CLAVIJA DE LA TOMA DE CORRIENTE

2. Ajuste la sierra en bisel a 0°

3. Coloque la sierra de lado (figura 9). Retraiga la guarda inferior

4. Afloje la perilla del cuadrante. Coloque una escuadra contra el disco y la zapata para ajustar a 90°.

5. Afloje la tuerca hexagonal (N) y mueva el tornillo de ajuste (O) hasta que la zapata quede en el ángulo correcto, como se ilustra en la figura 11. Asegure el tornillo en su posición reapretando la tuerca hexagonal.

6. Puede ser necesario ajustar la aguja del cuadrante para alinearla con la marca “0” después que la zapata ha sido colocada en posición.

**AJUSTE DE LA ZAPATA EN PARALELO CON EL DISCO**

1. DESCONECTE LA CLAVIJA DE LA TOMA DE CORRIENTE.

2. Afloje la tuerca hexagonal (N) mostrada en la figura 10 y a continuación gire el tornillo de ajuste (O) en cualquier sentido que sea necesario para ajustar el paralelismo.

3. Ajuste la zapata hasta que esté paralela al disco midiendo a partir de los extremos delantero y trasero. Puede medir desde el borde exterior del disco hacia la zapata, como se indica en la figura 8, o desde el borde interior del disco hacia la parte más ancha de la zapata. (No mida desde las puntas de ningún diente del disco.)

4. Cuando la zapata y el disco queden paralelos, fije el tornillo en su sitio y apriete con firmeza la tuerca hexagonal.

### Operación

**INTERRUPTOR**

Oprima el gatillo interruptor para encender el motor, y suéltelo para apagarlo. Al soltar el gatillo funciona automáticamente el freno eléctrico en las unidades que cuentan con este dispositivo. Esta herramienta no tiene un mecanismo para trabar el interruptor en la posición de encendido, y nunca debe trabarse por ningún otro medio.

### Cambio de hojas

**⚠ RECAUCIÓN:** *SIEMPRE APAGUE Y DESENCHUFE LA HERRAMIENTA ANTES DE CAMBIAR ACCESORIOS O HACER CUALQUIER AJUSTE.*

**PARA INSTALAR LA HOJA**

- Coloque la arandela de fijación interior (D) en el eje de la sierra con la superficie grande y plana mirando hacia la parte de afuera de la hoja (Fig. 2).
- Repliegue el protector inferior de la hoja (C) y ponga la hoja en el eje de la sierra contra la arandela de fijación interior, asegurando que la hoja rote en la dirección correcta (la flecha de rotación en la hoja y los dientes de la sierra debe apuntar en la misma dirección que la flecha de rotación de la sierra). No suponga que la parte impresa de la hoja tenga que estar mirando hacia afuera cuando esté debidamente instalada. Cuando repliegue el protector inferior de la hoja para instalar la hoja, revise la condición y operación del protector inferior de la hoja para asegurar que esté funcionando bien. Asegúrese que se mueva libremente y que no toque la hoja ni cualquiera otra parte de la sierra, en todos los ángulos y profundidades de corte.
- Coloque la arandela de fijación exterior (F) en el eje de la sierra con la superficie grande y plana contra la hoja y con la parte impresa de la arandela de fijación exterior mirando hacia usted.
- Inserte el tornillo de fijación de la hoja (G) en el eje de la sierra con la mano (el tornillo tiene hilos en dirección derecho y debe ser girado en dirección a las manillas del reloj para ser ajustado).
- Presione el dispositivo de bloqueo de la hoja (B) al girar el eje de la sierra con la llave de la hoja hasta que el dispositivo de bloqueo de la hoja enganche y la hoja deje de rotar (Fig. 3).
- Ajuste bien el tornillo de fijación de la hoja con la llave de la hoja.

**NOTA:** Nunca enganche el dispositivo de bloqueo de la hoja con la sierra andando ni trate de bloquear la hoja para detener la herramienta. Nunca encienda la sierra mientras el bloqueo de la hoja esté enganchado. Podría resultar en serios daños a su sierra.

**PARA CAMBIAR LA HOJA**

- Para soltar el tornillo de fijación de la hoja (G), presione el dispositivo de bloqueo de la hoja (B) y gire el eje de la sierra con la llave de la hoja hasta que el bloqueo de la hoja enganche y la hoja deje de rotar. Con el bloqueo de la hoja enganchado, gire el tornillo de fijación de la hoja en dirección de las manillas del reloj con la llave de la hoja (el tornillo tiene hilos en dirección derecho y debe ser girado en dirección contraria de las manillas del reloj para ser aflojado).
- Quite sólo el tornillo de fijación de la hoja (G) y la arandela de fijación exterior (F). Quite la hoja vieja.
- Limpie el aserrín que se haya acumulado en el protector o el área de la arandela de fijación y revise la condición y funcionamiento del protector inferior de la hoja como se describe más arriba. No lubrique esta área.
- Seleccione la hoja correcta para la aplicación (vea **Hojas**). Siempre use hojas que sean del tamaño correcto (diámetro) con el orificio central del tamaño y la forma apropiados para el montaje en el eje de la sierra. Siempre asegure que la hoja de la sierra alcance o supere la velocidad máxima recomendada (rpm) de la sierra.
- Siga los pasos 2 a 6 bajo ‘**Cómo instalar la hoja**’, asegurándose que la hoja gire en la dirección correcta.

**PROTECTOR INFERIOR DE LA HOJA**

**⚠ ADVERTENCIA:** *El protector inferior de la hoja es un rasgo de seguridad que reduce el riesgo de lesiones personales serias. Nunca use la sierra si el protector inferior se ha desprendido, dañado, ha sido mal instalado o no está funcionando debidamente. No se fie del protector inferior de la hoja para que le proteja en toda circunstancia. Su seguridad depende de su cumplimiento con todas las advertencias y precauciones como también del funcionamiento debido de la sierra. Revise el protector inferior para asegurarse que cierre bien antes de cada uso, como se describe en ‘Normas adicionales para sierras circulares’. Si el protector inferior de la hoja se ha desprendido o no funciona bien, repare la sierra antes de usarla. La reparación, el mantenimiento y los ajustes al producto deberían ser realizados por un centro de servicio autorizado u otra organización de servicio calificada, usando siempre repuestos originales, para asegurar la seguridad y fiabilidad del producto.*

### Soporte para las Piezas de Trabajo

La figura 12 ilustra la posición de aserrado correcta. Note que las manos se encuentran retiradas del área de corte y que el cable está claramente fuera del área, de manera que no pueda quedar atrapado.

Para evitar contragolpes, ofrezca buen soporte a la tabla o tablero CERCA del corte y en ambos extremos (figura 13). NO apoye la tabla o el tablero lejos de la zona de corte (figura 14). Cuando corte tiras angostas y largas, apoye el material de desperdicio que se desprenda.

Cuando opere la sierra mantenga el cable eléctrico alejado del área de corte para evitar que se atore con la pieza de trabajo. Observe que su unidad está provista de un área específica en el mango para retener el cordón. Simplemente oprima el cable en el retén para tenerlo a la vista y fuera de la trayectoria.

**⚠ ADVERTENCIA:** *Es importante soportar la pieza de trabajo apropiadamente y sostener con firmeza la sierra para prevenir la pérdida de control que pudiera ocasionar una lesión personal; La figura 12 ilustra la manera en que debe sujetarse la sierra.*

¡DESCONECTE SIEMPRE LA SIERRA ANTES DE HACER CUALQUIER AJUSTE! Coloque la pieza con el lado “bueno” (el que tiene el aspecto más importante) boca abajo. La sierra corta hacia arriba, así que cualquier astilladura quedará en la cara del tablón que usted tenga hacia arriba.

Coloque la pieza de manera que el corte quede a su lado derecho. Coloque la parte ancha de la zapata en el lado de la pieza que esta sólidamente soportado, no en la sección de la madera que caerá al desprenderse. Como ejemplos, la figura 15 ilustra la manera CORRECTA de cortar el extremo de una tabla, y la figura 16 la forma INCORRECTA. Sujete siempre las piezas de trabajo. ¡No intente sujetar las piezas de corte pequeñas con la mano! Recuerde tener bien apoyadas las partes de las piezas que quedan en el aire. Tenga precaución cuando corte material por debajo.

**CORTE**

Asegúrese de que la sierra ha alcanzado su máxima velocidad antes que el disco entre en contacto con el material que se va a cortar. Arrancar la sierra con el disco en contacto con el material puede provocar contragolpes.

Empuje la sierra hacia adelante a una velocidad que le permita cortar sin hacer esfuerzo. La dureza puede variar aun en la misma pieza, y las secciones resinosas y los nudos pueden añadir una pesada carga a la sierra. Cuando suceda así, empuje lentamente la sierra pero con la fuerza necesaria para conservarla trabajando sin disminución considerable de su velocidad. Forzar la sierra ocasionara cortes burdos, imprecisión, contragolpes y sobrecalentamiento del motor.

Si al iniciar el corte se desvió de la línea trazada, no fuerce la sierra hacia atrás. Suelte el interruptor y permita que el disco se detenga por completo. Retire entonces la sierra, colóquela otra vez e inicie un nuevo corte ligeramente por dentro del corte incorrecto. Pase lo que pase, retire la sierra si necesita desviar el corte. Forzar la corrección en el corte puede atascar la sierra y provocar contragolpes. Si LA SIERRA SE ATASCA, SUELTE EL GATILLO Y RETIRELA HASTA QUE QUEDE LIBRE. ASEGURESE QUE EL DISCO ESTE ALINEADO EN EL CANAL DEL CORTE Y SEPARADO DE LOS BORDES ANTES DE REINICIAR LA OPERACION.

Cuando termine un corte, suelte el gatillo y permita que el disco se detenga completamente antes de levantar la unidad. Cuando levante la sierra, la guarda telescópica se cerrará automáticamente sobre el disco. Recuerde que el disco quedará expuesto hasta que la guarda se accione; nunca coloque las manos por debajo del trabajo por ningún motivo. Cuando por algu-

na razón tenga que tirar manualmente de la guarda inferior (por ejemplo, para empezar cortes de bolsillo), utilice siempre la palanca del mecanismo retráctil.

**NOTA:** Cuando corte tiras delgadas, asegúrese que no hayan quedado atrapadas pequeñas astillas dentro de la guarda inferior.

Utilice siempre una guía cuando corte al hilo.

### CORTES DE BOLSILLO (FIG. 17)

DESCONECTE LA CLAVIJA DE LA TOMA DE CORRIENTE. Ajuste la zapata de la sierra para que el disco corte a la profundidad requerida. Incline la sierra hacia adelante, y coloque el frente de la zapata contra el material que va a cortar. Tire de la guarda empleando la palanca retráctil. Baje la parte trasera de la zapata hasta que los dientes de la sierra casi toquen el trazo de corte. En ese momento suelte la guarda del disco, por lo que el contacto que ésta haga con la pieza de trabajo la mantendrá en la posición adecuada para abrirse libremente cuando comience el corte. Encienda el motor y baje la sierra gradualmente hasta que la zapata descanse por completo en el material que va a cortar. Avance la sierra a lo largo de la línea de corte hasta que éste quede terminado. Suelte el gatillo y permita al disco detenerse completamente antes de levantarlo de la pieza. Cada vez que comience con un corte nuevo, repita la operación señalada. Nunca ate la guarda levantada.

### Contragolpes

Hay peligro de contragolpes cuando se ejerce demasiada presión sobre el disco de la sierra al hacer los cortes, o cuando éste queda atrapado en el corte. La sierra salta violentamente hacia el operador. Cuando el disco queda atrapado o aprisionado en el canal del corte que se va cerrando, el disco se traba y la inercia del motor arroja a la unidad hacia atrás. Cuando el disco se desvía del corte, los dientes que se encuentran en la parte de atrás del disco pueden perforar la superficie superior de la madera y hacer que salga del canal del corte y salte hacia atrás, en dirección del operador.

Suelen ocurrir contragolpes cuando se presentan alguna o algunas de las siguientes condiciones:

- SOPORTE INADECUADO DE LA PIEZA DE TRABAJO**
  - Caída o levantamiento inadecuado de la pieza que se desprende, lo que hace que el disco quede atrapado.
  - Cortes en material que sólo se apoya por los extremos (ver figura 14). Al tiempo que el material se debilita, éste se pandea y cierra el canal de corte, lo que ocasiona que el disco quede atrapado.
  - Corte desde la parte inferior de piezas voladas en dirección vertical. La pieza que caerá podría trabar el disco.
  - Corte de tiras largas y angostas (como en cortes al hilo). La pieza que se separa puede trabar el disco.
  - Sujetar la guarda inferior con una superficie que se encuentre por debajo del material que se está cortando, lo que reduce por un momento el control del operador. La sierra se puede levantar parcialmente del corte, lo que incrementará la posibilidad de un atorón del disco.
- AJUSTE INCORRECTO DE LA PROFUNDIDAD DE CORTE EN LA SIERRA**

Emplear la sierra con una profundidad de corte excesiva incrementa la carga sobre la unidad y la posibilidad de que el disco se trabe en el canal de corte. También aumenta el área expuesta a los atascos del disco cuando se ejerce presión excesiva en el canal de corte.
- DOBLECES EN EL DISCO (DESVIACIONES EN EL CORTE)**
  - Empujar demasiado para cortar a través de un nudo, un clavo o un área de fibras duras puede ocasionar que el disco se doble.
  - Tratar de girar la sierra durante un corte (tratar de regresar a la línea marcada) puede causar doblez.
  - Se corren los mismo peligros al tratar de alcanzar zonas alejadas u operar la sierra con poco control del operador (fuera de balance).
  - Se propicia el mismo riesgo al cambiar de mano o cambiar la posición del cuerpo mientras se corta.
  - También podría suceder así al regresar la unidad para limpiar el disco si no se hace con cuidado.
- MATERIALES QUE REQUIEREN DE MAYOR ATENCION**
  - Madera húmeda.
  - Madera verde (material cortado recientemente o no estufado).
  - Madera tratada a presión (material tratado con conservadores o anticorrosivos).
- EMPLEO DE DISCOS SUCIOS O SIN FILO**

Los discos sucios o mellados ocasionan carga excesiva en la sierra. Para compensar la carga, el operador empujará normalmente con más fuerza, lo que incrementará la carga aún más y propiciará que el disco se trabe en el canal de corte. Los discos desgastados pueden tener también una luz menor, lo que aumentará la oportunidad de que el disco se doble e incrementará la carga.
- LEVANTAR LA SIERRA MIENTRAS SE HACEN CORTES A BISEL**

Los cortes a bisel requieren que el operador preste atención especial a las técnicas de corte adecuadas sobre todo a la conducción de la sierra. El ángulo del disco contra la zapata y la gran superficie de la cara del disco expuesta al material aumentan las posibilidades de que ocurran desviaciones.
- REINICIACION DE UN CORTE CON LOS DIENTES DEL DISCO BLOQUEADOS POR EL MATERIAL**

Debe permitirse que la sierra alcance su velocidad máxima antes de iniciar un corte después que la unidad se ha detenido con el disco en el canal de corte. No hacerlo así causará que la sierra se atasque y ocurra contragolpe.

Cualesquiera otras condiciones que pudieran originar atorones, dobleces, desvíos o presiones en el disco pueden provocar contragolpes. Revise las secciones de "Ajustes Iniciales" y "Operación" para conocer las técnicas que minimizarán la incidencia de contragolpes.

### Discos

Un disco desafilado puede ocasionar sobrecarga en el motor de la sierra y astillado excesivo, e incrementa la posibilidad de que ocurra un contragolpe. Es una buena práctica tener discos de repuesto a la mano para el momento en que se requiera mandar afilar los que se están empleando busque "Afiladurías" en la Sección Amarilla). De hecho, muchos discos de bajo costo se pueden reemplazar por otros con un sobreprecio ligeramente mayor al del afilado.

Las resinas endurecidas en el disco harán más lento el corte. Estas pueden quitarse con kerosene (petróleo diáfano), aguarrás o limpia hornos.

DeWALT fabrica una línea muy completa de discos para sierra y están a su disposición en los centros de servicio.

**EXAMINE VISUALMENTE LOS DISCOS DE CARBURO ANTES DE UTILIZARLOS. CAMBIELOS SI ESTAN DAÑADOS.**

### Limpieza y lubricación

Solamente emplee jabón suave y un trapo húmedo para limpiar la herramienta. Nunca permita que penetre líquido al interior de la unidad; nunca sumerja ninguna parte de la herramienta en ningún líquido.

Se han empleado baleros autolubricados de bolas y de rodillos en la fabricación de su herramienta; por tanto, no se requiere de lubricación ulterior. Sin embargo, se recomienda que envíe su unidad a un centro de servicio, al menos una vez al año, para que la sometan a limpieza profunda, inspección y lubricación de la caja de engranajes.

### Accesorios

Dispone usted de los accesorios para su herramienta por un cargo adicional con su distribuidor local autorizado. Se incluye una lista completa de los centros de servicio con su herramienta.

Si necesita ayuda para encontrar cualquier accesorio, por favor comuníquese con DeWALT Industrial Tool Co., 701 East Joppa Road, Baltimore, MD 21286..

- GUIA PARA CORTES AL HILO - se sujeta a la parte superior de la zapata; permite hacer con su sierra cortes al hilo sin necesidad de trazos previos con lápiz.
- SEPARADOR - guía la sierra para trabajos en los que hay que separar las piezas; se ajusta de 0 a 70 grados.
- GUIA DE SEPARACION - para cortes en ángulo de 45 ó 90 grados.

**⚠ PRECAUCION:** En este manual aparecen los discos y los accesorios adecuados para su herramienta. Es peligroso emplear discos o accesorios de cualesquiera otros tipos.

### Reparaciones

Para garantizar la SEGURIDAD y la CONFIABILIDAD, deberán hacerse reparaciones, mantenimiento y ajustes de esta herramienta en los centros autorizados de servicio DeWALT u otras organizaciones autorizadas. Estas organizaciones prestan servicio a las herramientas DeWALT y emplean siempre refacciones legítimas DeWALT.

### PARA REPARACIÓN Y SERVICIO DE SUS HERRAMIENTAS ELÉCTRICAS, FAVOR DE DIRIGIRSE AL CENTRO DE SERVICIO MÁS CERCANO

<b>CULIACAN, SIN</b> Av. Nicolás Bravo #1063 Sur - Col. Industrial Bravo	(667) 7 12 42 11
<b>GUADALAJARA, JAL</b> Av. La Paz #1779 - Col. Americana Sector Juárez	(33) 3825 6978
<b>MEXICO, D.F.</b> Eje Central Lázaro Cárdenas No. 18 Local D, Col. Obrera	(55) 5588 9377
<b>MERIDA, YUC</b> Calle 63 #459-A - Col. Centro	(999) 928 5038
<b>MONTERREY, N.L.</b> Av. Francisco I. Madero No.831 - Col. Centro	(81) 8375 2313
<b>PUEBLA, PUE</b> 17 Norte #205 - Col. Centro	(222) 246 3714
<b>QUERETARO, QRO</b> Av. Madero 139 Pte. - Col. Centro	(442) 214 1660
<b>SAN LUIS POTOSI, SLP</b> Av. Universidad 1525 - Col. San Luis	(444) 814 2383
<b>TORREON, COAH</b> Blvd. Independencia, 96 Pte. - Col. Centro	(871) 716 5265
<b>VERACRUZ, VER</b> Prolongación Díaz Mirón #4280 - Col. Remes	(229) 921 7016
<b>VILLAHERMOSA, TAB</b> Constitución 516-A - Col. Centro	(993) 312 5111

**PARA OTRAS LOCALIDADES LLAME AL: (55) 5326 7100**

### Garantía limitada por tres años

DeWALT reparará, sin cargo, cualquier falla que surja de defectos en el material o la fabricación del producto, por hasta tres años a contar de la fecha de compra. Esta garantía no cubre fallas de las piezas causadas por su desgaste normal o abuso a la herramienta. Para mayores detalles sobre la cobertura de la garantía e información acerca de reparaciones realizadas bajo garantía, visítenos en [www.dewalt.com](http://www.dewalt.com) o llámenos al 1 800 433-9258 (1-800-4-DeWALT). Esta garantía no aplica a accesorios o a daños causados por reparaciones realizadas o intentadas por terceros. Esta garantía le otorga derechos legales específicos, además de los cuales puede tener otros dependiendo del estado o provincia en que se encuentre.

Además de la garantía, las herramientas DeWALT están cubiertas por:

#### 1 AÑO DE SERVICIO GRATUITO

DeWALT mantendrá la herramienta y reemplazará las piezas gastadas por su uso normal, sin cobro, en cualquier momento durante un año a contar de la fecha de compra.

#### GARANTÍA DE REEMBOLSO DE SU DINERO POR 90 DÍAS

Si no está completamente satisfecho con el desempeño de su máquina herramienta, láser o clavadora DeWALT, cualquiera sea el motivo, podrá devolverlo hasta 90 días de la fecha de compra con su recibo y obtener el reembolso completo de su dinero – sin necesidad de responder a ninguna pregunta.

#### Información Técnica

<b>DW364, DW368</b>	
Tensión de alimentación:	120 V AC/CD (∞ ----)
Consumo de corriente:	AC-15.0 A
Frecuencia de alimentación:	50/60 Hz
Potencia nominal:	1 675 W
Rotación sin carga:	5 800/min

IMPORTADOR: DeWALT S.A. DE C.V.  
BOSQUES DE CIDROS ACCESO RADIATAS NO. 42  
COL. BOSQUES DE LAS LOMAS, 3A. SECCIÓN, CP 05120  
DELEGACIÓN CUAJIMALPA, MÉXICO, D.F.  
TEL. 5 326 7100  
R.F.C.: BDE810626-1W7

Para servicio y ventas consulte  
"HERRAMIENTAS ELÉCTRICAS"  
en la sección amarilla.

