

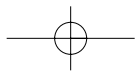
DEWALT Industrial Tool Co., 701 East Joppa Road, Baltimore, MD 21286

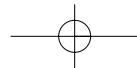
Printed in U.S.A. (SEP96-CD-1)

Form No. 382957

DW412

Copyright © 1996



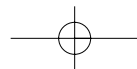


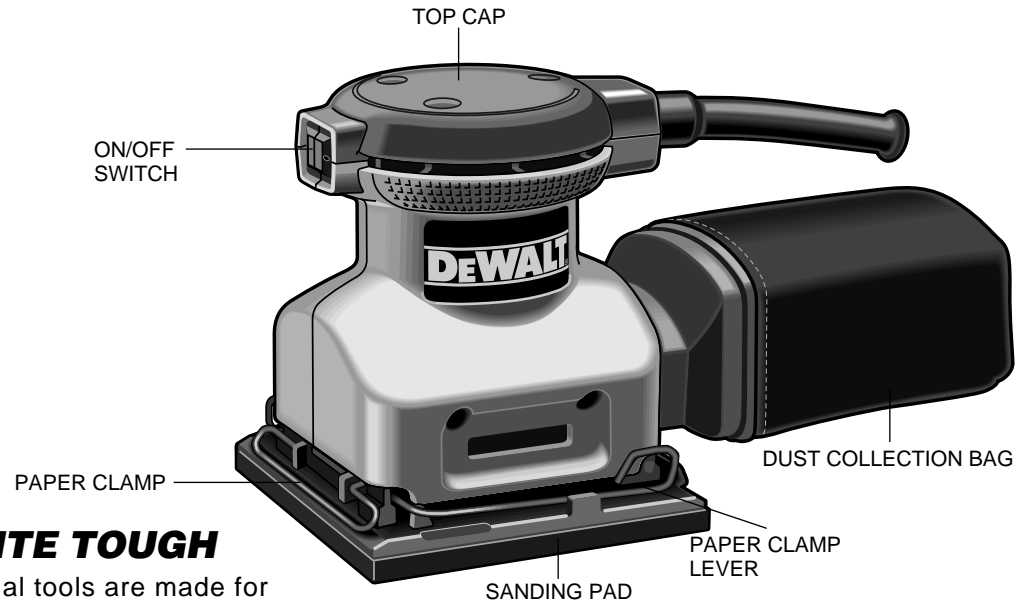
**INSTRUCTION MANUAL  
GUIDE D'UTILISATION  
MANUAL DE INSTRUCCIONES**

INSTRUCTIVO DE OPERACIÓN, CENTROS DE SERVICIO Y PÓLIZA DE GARANTÍA. **ADVERTENCIA:** LÉASE ESTE INSTRUCTIVO ANTES DE USAR EL PRODUCTO.

**DEWALT**®

**DW412 1/4 Sheet Sander  
Ponceuse de finition à 1/4 feuille, modèle DW412  
DW412 Lijadora de palma**





### **DEWALT... BUILT JOBSITE TOUGH**

DEWALT high performance industrial tools are made for America's toughest industrial and construction applications. The design of every tool in the line—from drills to sanders to grinders—is the result of rigorous use on jobsites and throughout industry. Each tool is produced with painstaking precision using advanced manufacturing systems and intense quality control. Every tool is checked before it leaves the factory to make sure that it meets your standards for durability, reliability and power.

**DEWALT** Built Jobsite Tough...WE GUARANTEE IT.

## Important Safety Instructions

**WARNING:** When using electric tools, basic safety precautions should always be followed to reduce risk of fire, electric shock, and personal injury, including the following:

READ ALL INSTRUCTIONS

### Double Insulation

Double insulated tools are constructed throughout with two separate layers of electrical insulation or one double thickness of insulation between you and the tool's electrical system. Tools built with this insulation system are not intended to be grounded. As a result, your tool is equipped with a two prong plug which permits you to use extension cords without concern for maintaining a ground connection.

**NOTE:** Double insulation does not take the place of normal safety precautions when operating this tool. The insulation system is for added protection against injury resulting from a possible electrical insulation failure within the tool.

**CAUTION:** WHEN SERVICING USE ONLY IDENTICAL REPLACEMENT PARTS. Repair or replace damaged cords.

### Polarized Plugs

Polarized plugs (one blade is wider than the other) are used on equipment to reduce the risk of electric shock. When provided, this plug will fit into a polarized outlet only one way. If the plug does not fit fully in the outlet, reverse the plug. If it still does not fit, contact a qualified electrician to install the proper outlet. Do not change the plug in any way.

## Safety Instructions For All Tools

- KEEP WORK AREA CLEAN. *Cluttered areas and benches invite injuries.*
- CONSIDER WORK AREA ENVIRONMENT. *Don't expose power tools to rain. Don't use power tools in damp or wet locations. Keep work area well lit. Do not use tool in presence of flammable liquids or gases.*
- GUARD AGAINST ELECTRIC SHOCK. *Prevent body contact with grounded surfaces. For example; pipes, radiators, ranges, and refrigerator enclosures.*
- KEEP CHILDREN AWAY. *Do not let visitors contact tool or extension cord. All visitors should be kept away from work area.*
- STORE IDLE TOOLS. *When not in use, tools should be stored in dry, and high or locked-up place — out of reach of children.*
- DON'T FORCE TOOL. *It will do the job better and safer at the rate for which it was intended.*
- USE RIGHT TOOL. *Don't force small tool or attachment to do the job of a heavy-duty tool. Don't use tool for purpose not intended.*
- DRESS PROPERLY. *Do not wear loose clothing or jewelry. They can be caught in moving parts. Rubber gloves and non-skid footwear are recommended when working outdoors. Wear protective hair covering to contain long hair.*
- USE SAFETY GLASSES. *Also use face or dust mask if operation is dusty.*

English

- **DON'T ABUSE CORD.** Never carry tool by cord or yank it to disconnect from receptacle. Keep cord from heat, oil, and sharp edges.
- **SECURE WORK.** Use clamps or a vise to hold work. It's safer than using your hand and it frees both hands to operate tool.
- **DON'T OVERREACH.** Keep proper footing and balance at all times.
- **MAINTAIN TOOLS WITH CARE.** Keep tools sharp and clean for better and safer performance. Follow instructions for lubricating and changing accessories. Inspect tool cords periodically and if damaged, have repaired by authorized service facility. Inspect extension cords periodically and replace if damaged. Keep handles dry, clean, and free from oil and grease.
- **DISCONNECT OR LOCK OFF TOOLS** when not in use, before servicing, and when changing accessories, such as blades, bits, cutters.
- **REMOVE ADJUSTING KEYS AND WRENCHES.** Form habit of checking to see that keys and adjusting wrenches are removed from tool before turning it on.
- **AVOID UNINTENTIONAL STARTING.** Don't carry tool with finger on switch. Be sure switch is off when plugging in.
- **EXTENSION CORDS.** Make sure your extension cord is in good condition. When using an extension cord, be sure to use one heavy enough to carry the current your product will draw. An undersized cord will cause a drop in line voltage resulting in loss of power and overheating.

The following table shows the correct size to use depending on cord length and nameplate ampere rating. If in doubt, use the next heavier gage. The smaller the gage number, the heavier the cord.

Volts	Minimum Gage for Cord Sets				
	Total Length of Cord in Feet				
120V	0-25	26-50	51-100	101-150	
240V	0-50	51-100	101-200	201-300	
Ampere Rating					
More Than	Not more Than	American Wire Gage			
0	6	18	16	16	14
6	10	18	16	14	12
10	12	16	16	14	12
12	16	14	12	Not Recommended	

- **OUTDOOR USE EXTENSION CORDS.** When tool is used outdoors, use only extension cords intended for use outdoors and so marked.
- **STAY ALERT.** Watch what you are doing. Use common sense. Do not operate tool when you are tired.
- **CHECK DAMAGED PARTS.** Before further use of the tool, a guard or other part that is damaged should be carefully checked to determine that it will operate properly and perform its intended function. Check for alignment of moving parts, binding of moving parts, breakage of parts, mounting, and any other conditions that may affect its operation. A guard or other part that is damaged should be properly repaired or replaced by an authorized service center unless otherwise indicated elsewhere in this instruction manual. Have defective switches replaced by authorized service center. Do not use tool if switch

does not turn it on and off.

## **Additional Safety Instructions for Sanders**

- ALWAYS WEAR EYE PROTECTION.
- *Clean your tool out periodically.*
- ⚠ **CAUTION:** *Some wood contains preservatives such as copper chromium arsenate (CCA) which can be toxic. When sanding these materials extra care should be taken to avoid inhalation and minimize skin contact.*
- ⚠ **WARNING:** *Use of this tool can generate dust containing chemicals known to cause cancer, birth defects or other reproductive harm. Use appropriate respiratory protection.*

## **SAVE THESE INSTRUCTIONS**

### **Motor**

Be sure your power supply agrees with nameplate marking. AC means your tool may be operated only with alternating current and **never** with direct current. Voltage decrease of more than 10% will cause loss of power and overheating. All tools are factory tested; if this tool does not operate, check the power supply.

### **Attaching Abrasive Paper**

Your sander is designed to use 1/4 sized sanding sheets. This size paper can be made by:

- a. Cutting full sized (9" x 11") sandpaper into 1/4 sheets of 4-1/2" x 5-1/2".
- b. Cutting 1/2 sheet sandpaper into two 4-1/2" x 5-1/2" sheets.

Pre-cut 4-1/2" x 5-1/2" sandpaper is available at extra cost.

#### **FOR NORMAL OPERATIONS, ASSEMBLE THE ABRASIVE PAPER TO YOUR UNIT AS FOLLOWS:**

1. Soften the stiff sandpaper by pulling it over the 90° edge of a table or other straight edge, as shown in Figure 1. Concentrate on softening the edges to be clamped.
2. Release clamp by pulling up on clamp lever and disengaging it from the tab on the base plate. (See Figure 2)
3. Insert the 4-1/2 edge of the abrasive paper under the front paper clamp, as shown in Figure 3 until it hits the paper limiting ribs shown in the figure. Close the front paper clamp and hook it into the lock position behind the tab on the base plate.
4. Stretch paper over sanding pad and insert under the opposite clamp in the same way.
5. If you are using the dust extraction feature, perforate the sandpaper with the provided paper punch as instructed on page 5.

**CAUTION:** When using perforated paper be sure to install the dust collection bag.

## Switch

To turn the unit on, depress the side of the dust protected switch that corresponds to the symbol "I". To turn the tool off, depress the side of the switch that corresponds to the symbol "O". See Figure 4.

## Paper Punch

A paper punch is provided with your sander to let you perforate regular sandpaper to make dust collection possible.

To perforate your sandpaper, install the sandpaper on the tool as instructed in this manual. With the sander turned off and unplugged, place the paper punch on the paper so that the tabs at the edges of the punch are against any two adjacent sides of the sanding pad, as shown in Figure 5. Press the punch against the pad so that the 8 points penetrate the paper, as shown in Figure 6. (Press the punch into the pad as far as it will go.) Remove the paper punch and the paper is ready.

An alternate method of perforating the paper is to fasten the punch down to a suitable work surface and press the sander (with the paper attached) down on the punch. Two holes are provided in the punch for this purpose. Use #8 flat head screws.

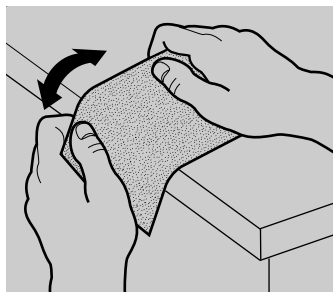


FIG. 1

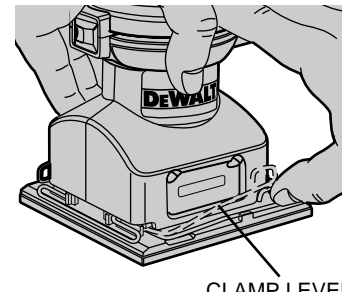


FIG. 2

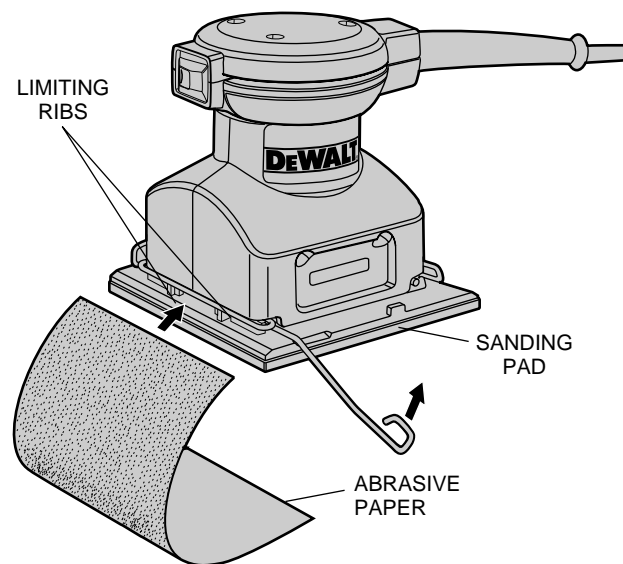
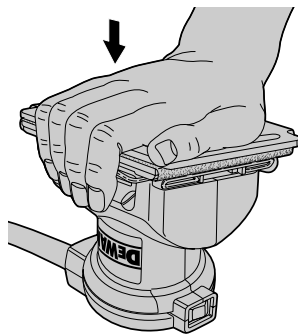
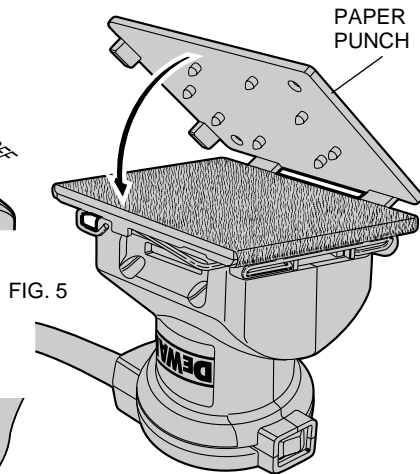
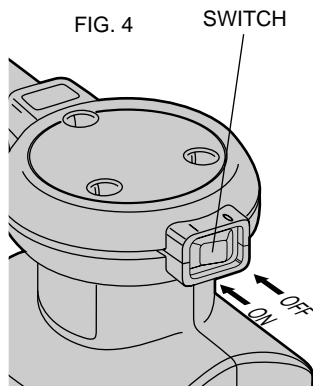


FIG. 3



## Dust Collection Bag

**DUST COLLECTION BAG: NEVER OPERATE THIS TOOL WITH PERFORATED PAPER UNLESS THE DUST COLLECTION BAG IS IN PLACE.**

To use the dust collecting system, lower the plastic end of the collection bag over the flange and push it down as far as it will go, as shown in Figure 7.

To empty the dust collection bag, simply lift it up off of the sander and empty over a trash receptacle.

## Operation

To operate your sander, grasp it as shown in Figure 8 and turn it on. Move it in long, sweeping strokes along the surface being sanded, letting it do the work. Pushing down on the tool while sanding actually slows the removal rate and produces an inferior quality surface. Be sure to check your work often, this sander is capable of removing material rapidly, especially with coarse paper.

Your sander is designed to sand flush on three sides (four sides without the dust collection bag) for sanding in corners, and its small size and light weight make it ideal for overhead work.

The orbital action of your sander allows you to sand with the grain or at any angle across it for most sanding jobs. On the final sanding steps, as discussed below, a better finish will result if you sand only with the grain.

To produce the best finish possible, start with coarse grit sandpaper and change gradually to finer and finer paper. A final sanding with a piece of well worn fine sandpaper will produce a really professional looking finish that in many cases will need no hand sanding at all.



The rate at which the dust collection bag will fill up will vary with the type of material being sanded and the coarseness of the sandpaper. For best results, empty the bag frequently and check the opening for clogging.

When sanding painted surfaces, you may find that the sandpaper loads up and clogs with paint. A heat gun will work much better to remove paint before sanding. FOLLOW ALL SAFETY INSTRUCTIONS IN HEAT GUN INSTRUCTION MANUAL.

### **Precautions When Sanding Paint**

Sanding of lead based paint is NOT RECOMMENDED due to the difficulty of controlling the contaminated dust. The greatest danger of lead poisoning is to children and pregnant women. Since it is difficult to identify whether or not a paint contains lead without a chemical analysis, we recommend the following precautions when sanding any paint:

#### **A. PERSONAL SAFETY**

1. No children or pregnant women should enter the work area where the paint sanding is being done until all clean up is completed.
2. A dust mask or respirator should be worn by all persons entering the work area. The filter should be replaced daily or whenever the wearer has difficulty breathing.

**NOTE:** Only those dust masks suitable for working with lead paint dust and fumes should be used. Ordinary painting masks do not offer this protection. See your local hardware dealer for the proper (NIOSH approved) mask.

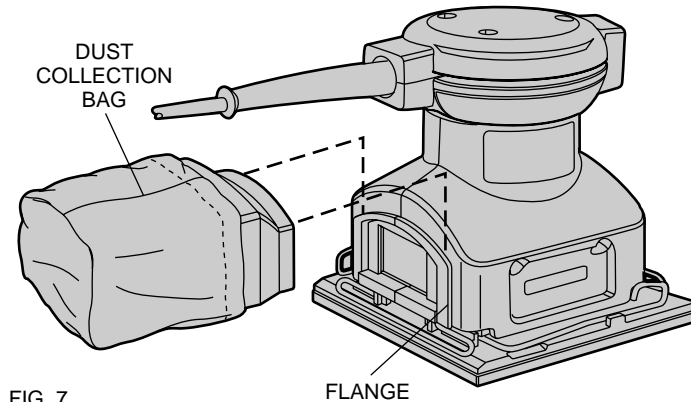
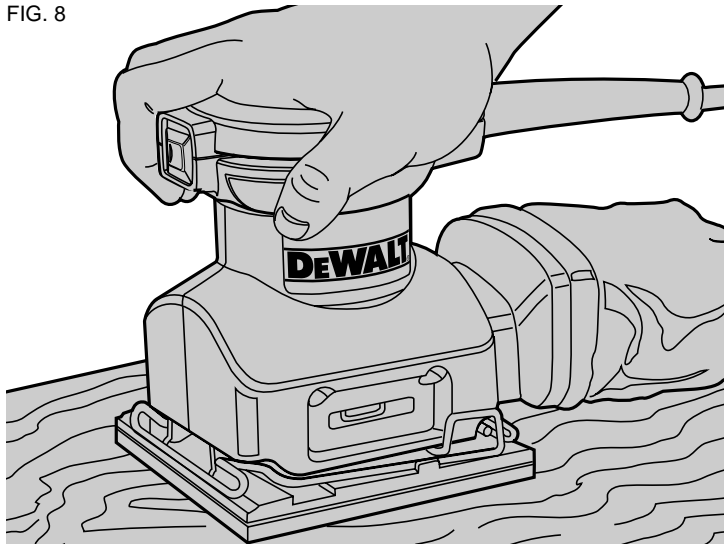


FIG. 7

FIG. 8



3. NO EATING, DRINKING or SMOKING should be done in the work area to prevent ingesting contaminated paint particles. Workers should wash and clean up BEFORE eating, drinking or smoking. Articles of food, drink, or smoking should not be left in the work area where dust would settle on them.

#### **B. ENVIRONMENTAL SAFETY**

1. Paint should be removed in such a manner as to minimize the amount of dust generated.
2. Areas where paint removal is occurring should be sealed with plastic sheeting of 4 mils thickness.

3. Sanding should be done in a manner to reduce tracking of paint dust outside the work area.

#### **C. CLEANING AND DISPOSAL**

1. All surfaces in the work area should be vacuumed and thoroughly cleaned daily for the duration of the sanding project. Vacuum filter bags should be changed frequently.
2. Plastic drop cloths should be gathered up and disposed of along with any dust chips or other removal debris. They should be placed in sealed refuse receptacles and disposed of through regular trash pick-up procedures. During clean up, children and pregnant women should be kept away from the immediate work area.
3. All toys, washable furniture and utensils used by children should be washed thoroughly before being used again.

Your sander is designed to accept most makes of sandpaper including adhesive backed paper. Adhesive backed paper is available in 1/4 sheet sizes at most hardware stores.

#### **Tool Care**

Keep your machine as clean as possible by wiping with a clean cloth and blowing through it with air after every 5 hours of use.

Don't use harsh chemicals or solvents to clean the tool. These chemicals could seriously damage the plastic.

Avoid overloading your sander. Overloading will result in a considerable reduction in speed and efficiency and the unit will become hot. In this event, run sander at a "no load" condition for a minute or two.

## Brush Replacement

### TURN OFF AND UNPLUG THE SANDER

To replace the tool's brushes, remove the three screws located in the top cap, as shown in Figure 9.

Lift off the top cap. Observe the brush holders, as shown in Figure 10 and the wires leading from the brushes to the motor field.

Pull the wires from the motor field and then lift and hold out of the way one of the brush springs. Remove the old brush from the brush holder and discard the brush/wire assembly. Still holding the brush spring out of the way, insert the new brush, release the spring against the back of the brush and plug the wire into the motor field. Repeat the procedure for the second brush.

Replace the top cap and tighten the three screws that hold it in place. (Always replace both brushes.)

## Accessories

Recommended accessories for use with your tool are available at extra cost from your local dealer or authorized service center. A complete listing of service centers is included with your tool. If you need assistance in locating any accessory for your tool, please contact your local dealer or authorized service center.

**CAUTION:** The use of any other accessory not recommended for use with this tool could be hazardous.

### Dust Extraction Hose Adaptor (DW4111)

Slides over flange at rear of tool, as shown in Figure 11. Accepts a variety of vacuum hoses for dust extraction.

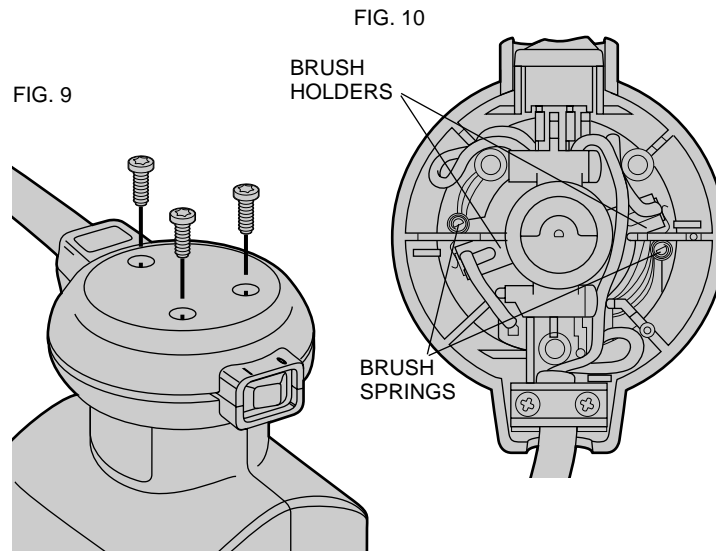
### 6" Circular Platen (DW4112)

Includes 6" diameter round sanding pad for sanding irregular shapes where extra flexibility may be desired.

To install the circular platen, remove the four screws in the bottom of the sanding pad and remove the pad and the rectangular platen. Replace with the circular platen and the 6" diameter sanding pad using the same four screws, as shown in Figure 12.

Accepts 6" diameter adhesive backed sanding discs only.

**NOTE:** Recommended accessories for this tool are listed in this manual. The use of any other accessories may be hazardous.



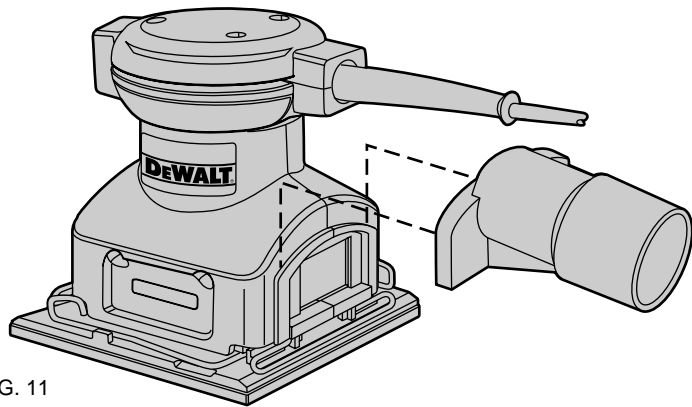
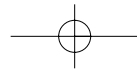


FIG. 11

### **Lubrication**

Self lubricating bearings are used in the tool and periodic relubrication is not required. However, it is recommended that once a year, you take or send the tool to a service center for a thorough cleaning and inspection.

### **Important**

To assure product SAFETY and RELIABILITY, repairs, maintenance and adjustment (including brush inspection and replacement) should be performed by authorized service centers or other qualified service organizations, always using identical replacement parts.

English

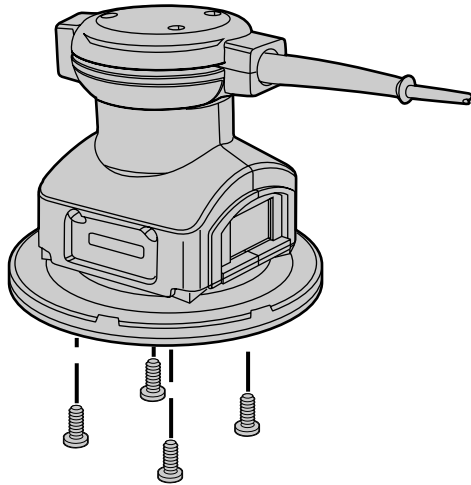
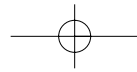
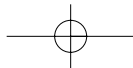


FIG. 12





English

### **Full Warranty**

DEWALT heavy duty industrial tools are warranted for one year from date of purchase. We will repair, without charge, any defects due to faulty materials or workmanship. For warranty repair information, call 1-800-4-DEWALT. This warranty does not apply to accessories or damage caused where repairs have been made or attempted by others. This warranty gives you specific legal rights and you may have other rights which vary in certain states or provinces.

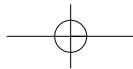
In addition to the warranty, DEWALT tools are covered by our:

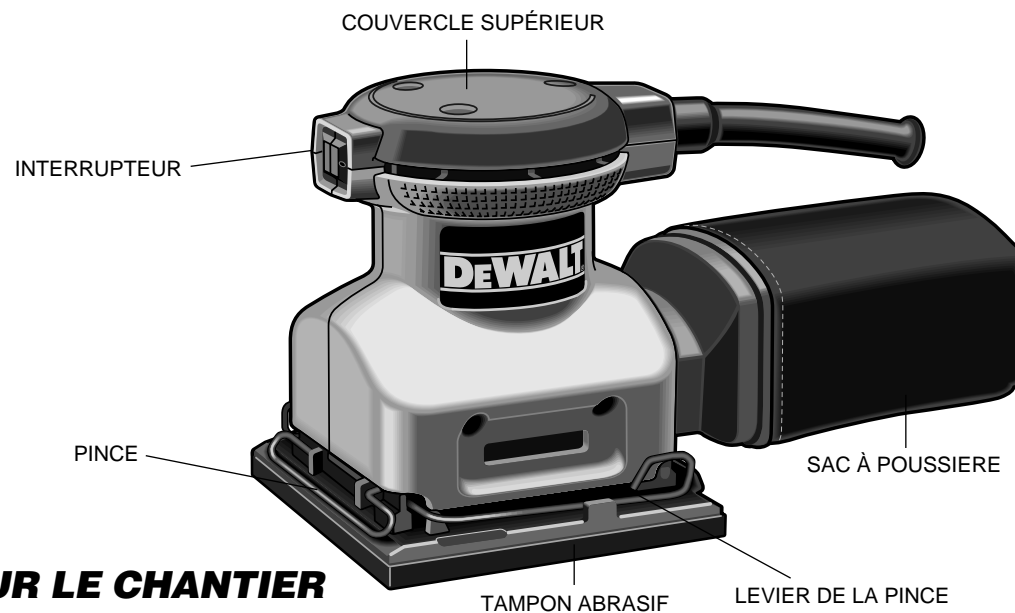
#### **30 DAY NO RISK SATISFACTION GUARANTEE**

If you are not completely satisfied with the performance of your DEWALT heavy duty industrial tool, simply return it to the participating seller within 30 days for a full refund. Please return the complete unit, transportation prepaid. Proof of purchase may be required.



**See 'Tools-Electric'  
-Yellow Pages-  
for Service & Sales**





Français

## **DEWALT... CONÇU POUR LE CHANTIER**

Les outils industriels de service intensif DEWALT répondent aux pires exigences de l'industrie et de la construction en Amérique. La conception de chacun des outils de la gamme (des perceuses aux ponceuses, en passant par les rectifieuses) résulte de leur utilisation rigoureuse sur le chantier et dans l'industrie. Chaque outil est construit avec une précision laborieuse à l'aide de systèmes de fabrication de pointe et un intense contrôle de la qualité. Chacun d'eux est soigneusement vérifié avant de quitter l'usine afin de s'assurer que l'outil répond aux normes de durabilité, de fiabilité et de puissance des utilisateurs.

**DEWALT** Conçu pour le chantier ... NOUS LE GARANTISSONS.

## Importantes mesures de sécurité

**AVERTISSEMENT** : Afin de réduire les risques d'incendie, de secousses électriques ou de blessures lorsqu'on utilise des outils électriques, il faut toujours respecter les mesures de sécurité suivantes.

**LIRE TOUTES LES DIRECTIVES.**

### Double isolation

Les outils à double isolation peuvent être utilisés sur des circuits qui ne sont pas mis à la terre car ils comportent deux couches distinctes d'isolant électrique ou une double épaisseur d'isolant qui protègent l'utilisateur contre les risques de blessures provenant du système électrique de l'outil. Ce système de double isolation élimine le besoin de mettre les outils à la terre. En effet, l'outil est muni d'une fiche à deux broches, ce qui permet d'utiliser un cordon de rallonge sans avoir à se soucier d'assurer la mise à la terre.

**NOTE** : Cette DOUBLE ISOLATION ne dispense pas des mesures de sécurité normales lors de l'utilisation de l'outil. Elle vise à procurer une protection supplémentaire contre les blessures que peut entraîner une défectuosité de l'isolant électrique à l'intérieur de l'outil.

**MISE EN GARDE** : POUR RÉPARER L'OUTIL, N'UTILISER QUE DES PIÈCES DE RECHANGE IDENTIQUES. Réparer ou remplacer les cordons endommagés.

## Fiche polarisée

Le produit est muni d'une fiche polarisée (une lame plus large que l'autre) afin de minimiser les risques de secousses électriques. Ce genre de fiche n'entre que d'une façon dans une prise polarisée. Lorsqu'on ne peut insérer la fiche à fond dans la rallonge, il faut tenter de le faire après avoir inversé les lames de côté. Lorsqu'on ne peut insérer la fiche de la rallonge à fond dans la prise, il faut communiquer avec un électricien certifié pour qu'il installe une prise appropriée. Il ne faut pas neutraliser ce dispositif de sécurité.

## Mesures de sécurité pour tous les outils

- **BIEN DÉGAGER LA SURFACE DE TRAVAIL.** Des surfaces et des établis encombrés peuvent être la cause de blessures.
- **TENIR COMPTE DU MILIEU DE TRAVAIL.** Protéger les outils électriques de la pluie. Ne pas s'en servir dans des endroits humides ou mouillés. Bien éclairer la surface de travail. Ne pas utiliser en présence de liquides ou de vapeurs inflammables.
- **SE PROTÉGER CONTRE LES SECOUSSES ÉLECTRIQUES.** Éviter tout contact avec des objets mis à la terre, comme des tuyaux, radiateurs, cuisinières, réfrigérateurs et autres objets du genre.
- **ÉLOIGNER LES ENFANTS.** Tous les visiteurs doivent être tenus à l'écart de l'aire de travail et il faut les

- empêcher de toucher à l'outil ou au cordon de rallonge.*
- **RANGER LES OUTILS INUTILISÉS.** Il faut ranger les outils dans un endroit sec, situé en hauteur ou fermé à clé, hors de la portée des enfants.
  - **NE JAMAIS FORCER L'OUTIL.** Afin d'obtenir un rendement sûr et efficace, utiliser l'outil à son rendement nominal.
  - **UTILISER L'OUTIL APPROPRIÉ.** Ne jamais exiger d'un petit outil ou d'un accessoire le rendement d'un outil de fabrication plus robuste. Se servir de l'outil selon l'usage prévu.
  - **PORTER DES VÊTEMENTS APPROPRIÉS.** Éviter de porter des vêtements amples et des bijoux qui peuvent être happés par les pièces en mouvement. Porter des gants de caoutchouc et des chaussures à semelle antidérapante pour travailler à l'extérieur. Protéger la chevelure si elle est longue.
  - **PORTER DES LUNETTES DE SÉCURITÉ.** Porter également un masque respiratoire si le travail de coupe produit de la poussière.
  - **NE PAS MANIPULER LE CORDON DE FAÇON ABUSIVE.** Ne pas transporter l'outil par le cordon ni tirer sur ce dernier pour le débrancher de la prise. Éloigner le cordon des sources de chaleur, des flaques d'huile et des arêtes tranchantes.
  - **ASSUJETTIR LA PIÈCE.** Immobiliser la pièce à l'aide de brides ou d'un étau. On peut alors se servir des deux mains pour faire fonctionner l'outil, ce qui est plus sûr.
  - **NE PAS DÉPASSER SA PORTÉE.** Toujours demeurer dans une position stable et garder son équilibre.

- **PRENDRE SOIN DES OUTILS.** Conserver les outils propres et affûtés pour qu'ils donnent un rendement supérieur et sûr. Suivre les directives concernant la lubrification et le remplacement des accessoires. Inspecter régulièrement le cordon de l'outil et le faire réparer au besoin à un atelier d'entretien autorisé. Inspecter régulièrement les cordons de rallonge et les remplacer lorsqu'ils sont endommagés. S'assurer que les poignées sont toujours propres, sèches et libres de toute tache d'huile ou de graisse.
- **DÉBRANCHER OU VERROUILLER LES OUTILS NON UTILISÉS EN POSITION HORS TENSION.** Respecter cette mesure lorsqu'on ne se sert pas de l'outil, ou qu'on doit le réparer ou en changer un accessoire (comme une lame, un foret ou un couteau).
- **ENLEVER LES CLÉS DE RÉGLAGE.** Prendre l'habitude de vérifier si les clés de réglage ont été retirées avant de faire démarrer l'outil.
- **ÉVITER LES DÉMARRAGES ACCIDENTELS.** Ne pas laisser le doigt sur l'interrupteur lorsqu'on transporte l'outil. S'assurer que l'interrupteur est à la position hors circuit lorsqu'on branche l'outil.
- **CORDONS DE RALLONGE PRÉVUS POUR L'EXTÉRIEUR.** Lorsque l'outil est utilisé à l'extérieur, ne se servir que d'un cordon de rallonge conçu pour l'extérieur et portant la mention appropriée.



Tension	Calibre minimal des cordons de rallonge					
	Longueur totale du cordon en pieds					
120V	De 0 à 25	De 26 à 50	De 51 à 100	De 101 à 150		
240V	De 0 à 50	De 51 à 100	De 101 à 200	De 201 à 300		
Intensité (A)	Calibre moyen de fil					
	Au moins	Au plus				
0	-	6	18	16	16	14
6	-	10	18	16	14	12
10	-	12	16	16	14	12
12	-	16	14	12	Non recommandé	

- **DEMEURER VIGILANT.** Travailler avec vigilance et faire preuve de bon sens. Ne pas se servir de l'outil lorsqu'on est fatigué.
- **VÉRIFIER LES PIÈCES ENDOMMAGÉES.** Vérifier l'alignement et les attaches des pièces mobiles, le degré d'usure des pièces et leur montage, ainsi que tout autre facteur susceptible de nuire au bon fonctionnement de l'outil. Faire réparer ou remplacer tout protecteur ou toute autre pièce endommagée dans un centre de service autorisé, sauf si le présent guide fait mention d'un avis contraire. Confier le remplacement de tout interrupteur défectueux à un centre de service autorisé. Ne jamais se servir d'un outil dont l'interrupteur est défectueux.

### Mesures de sécurité additionnelles relatives aux ponceuses

- **TOUJOURS PORTER DES LUNETTES DE SÉCURITÉ.**
- *Vider régulièrement l'outil.*
- **MISE EN GARDE :** Certaines essences de bois renferment des agents de conservation (comme de l'arséniac de cuivre

et de chrome) qui peuvent être toxiques. Lorsqu'on doit poncer de tels matériaux, prendre des mesures supplémentaires afin d'éviter d'inhaler les vapeurs toxiques et de minimiser les contacts avec la peau.

⚠ **AVERTISSEMENT :** *L'outil peut soulever de la poussière contenant des produits chimiques pouvant causer le cancer ou des malformations congénitales ou encore, être nocifs sur le plan reproductif. On doit donc porter l'appareil de protection respiratoire approprié.*

## CONSERVER CES MESURES.

### Moteur

Veiller à ce que la tension d'alimentation soit conforme aux exigences de la plaque signalétique de l'outil.

La mention c.a signifie que l'outil fonctionne seulement sur une alimentation en courant alternatif et **jamais** en courant continu.

Une baisse de tension de plus de 10 p. 100 entraîne une perte de puissance et la surchauffe. Tous les outils sont essayés avant de quitter l'usine. Lorsque celui-ci refuse de fonctionner, vérifier la source de courant électrique.

### Installation du papier abrasif

La ponceuse est conçue pour utiliser du papier de 1/4 feuille. On peut obtenir du papier de cette dimension de l'une des façons suivantes.

- En découpant un morceau de papier abrasif de

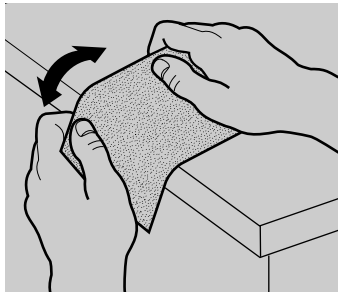


FIG. 1

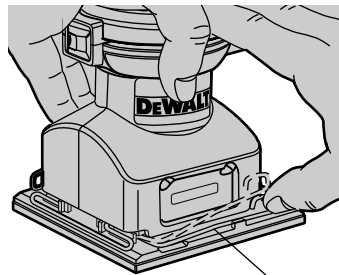


FIG. 2

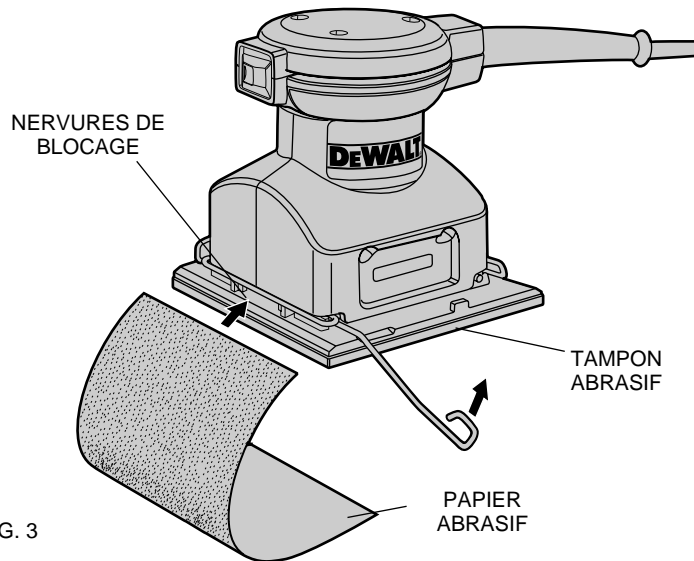
LEVIER DE LA  
PINCE

FIG. 3

dimensions standard (9 po sur 11 po) pour avoir des morceaux de 1/4 feuille (4 1/2 po sur 5 1/2 po).

- b. En découpant une demie-feuille de papier abrasif en deux morceaux de 1/4 feuille (4 1/2 po sur 5 1/2 po).

On peut également acheter séparément du papier abrasif en 1/4 feuille.

**POUR EFFECTUER DES TRAVAUX DE PONÇAGE, IL SUFFIT D'INSTALLER LE PAPIER ABRASIF SUR LA PONCEUSE COMME SUIT.**

1. Ramollir le papier abrasif en le frottant contre un rebord à 90° d'une table ou de tout autre angle droit, comme l'illustre la figure 1, il faut surtout ramollir les côtés du papier à insérer dans les pinces de la ponceuse.
2. Dégager la pince en soulevant le levier de la pince et en le sortant de la patte de la platine (voir la figure 2).
3. Insérer l'extrémité de 4 1/2 po du papier abrasif sous la pince avant, comme le montre la figure 3, jusqu'à ce qu'elle touche les nervures de blocage du papier illustrées, puis refermer la pince avant et la bloquer en place en plaçant le crochet dans la patte de la platine.
4. Étirer le papier sur le tampon et en insérer l'autre extrémité sous l'autre pince de la même façon.
5. Lorsqu'on se sert du système de dépoussiérage, perforer le papier abrasif à l'aide du poinçon compris en suivant les directives de la page 16.

**MISE EN GARDE :** Lorsqu'on se sert de papier perforé, ne pas oublier d'installer le sac à poussière.

## Interrupteur

Pour actionner l'outil, appuyer sur l'extrémité «I» de l'interrupteur sous capsule le protégeant de la poussière. Pour l'arrêter, il faut appuyer sur l'extrémité «O». Voir la figure 4.

## Poinçon

L'emballage de la ponceuse comprend un poinçon afin d'utiliser du papier abrasif ordinaire avec le système de dépeussierage.

Pour perferer le papier abrasif, l'installer sur la ponceuse en suivant les instructions du présent guide. S'assurer que la ponceuse est débranchée et en position d'arrêt, puis placer le poinçon contre le papier de sorte que les pattes sur les côtés du poinçon s'appuient contre deux côtés adjacents du papier abrasif, comme l'illustre la figure 5. Enfoncer le poinçon dans le tampon de sorte que les 8 points traversent le papier, comme le montre la figure 6. (Enfoncer le poinçon le plus profondément possible dans le tampon.) Retirer ensuite le poinçon et le papier peut alors être utilisé avec le système de dépeussierage.

On peut également perferer le papier abrasif en fixant le poinçon à une surface de travail appropriée et en appuyant la ponceuse (munie de papier) sur le poinçon. Le poinçon est doté de deux trous afin de pouvoir le fixer à la surface de travail. Utiliser des vis à tête plate n° 8.

## Sac à poussière

SAC À POUSSIÈRE : NE JAMAIS UTILISER L'OUTIL AVEC

FIG. 5 INTERRUPTEUR

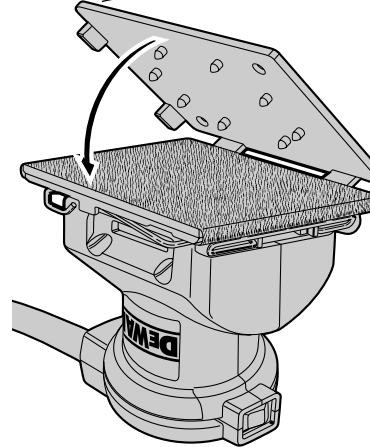


FIG. 4

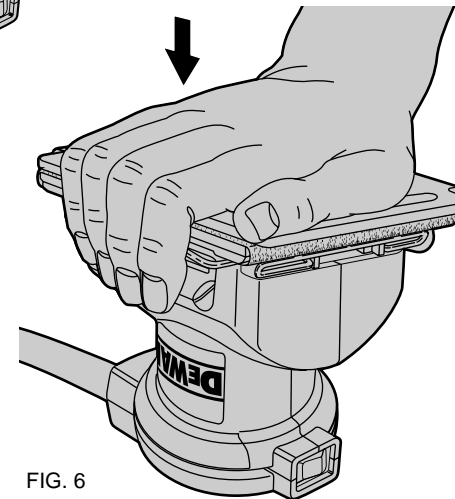
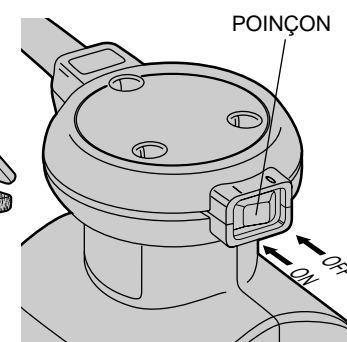


FIG. 6

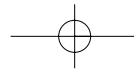
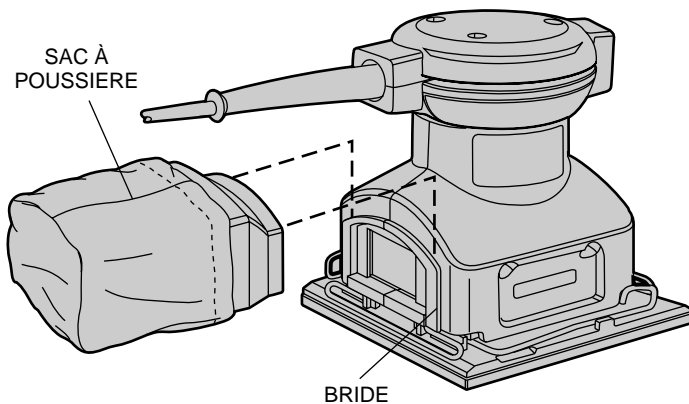


FIG. 7



DU PAPIER PERFORÉ SAUF SI LE SAC À POUSSIÈRE EST EN PLACE.

Pour se servir du système de dépoussiérage, il faut abaisser l'extrémité en plastique du sac à poussière sur la bride et faire glisser le sac au maximum vers le bas, comme l'illustre la figure 7.

Pour vider le sac à poussière, il suffit de le soulever jusqu'à ce qu'il se dégage de la ponceuse et de le vider dans une poubelle.

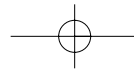
### **Fonctionnement**

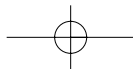
Pour poncer, saisir l'outil de la façon illustrée à la figure 8 et le mettre en marche. Imprimer à la ponceuse de longs mouvements de va-et-vient et lui laisser faire l'effort. Un excès de pression contre la ponceuse diminue le taux de ponçage et donne un fini de moindre qualité. Examiner souvent la surface tout en ponçant; l'outil décape rapidement, surtout lorsqu'il est muni de papier abrasif rude.

La ponceuse est conçue pour le travail à ras sur trois faces (quatre lorsqu'on ne se sert pas du sac à poussière) et pour aller dans les coins d'accès difficile. Sa taille et son poids minimale en font l'outil idéal pour poncer au-dessus de la tête.

Le mouvement orbital de la ponceuse permet de poncer tant contre que dans le sens des fibres du bois. Au dernier ponçage (voir plus loin), il vaut mieux suivre les fibres du bois pour obtenir un beau fini.

Pour obtenir le fini le plus doux qui soit, commencer à poncer avec du papier abrasif rude pour ensuite utiliser du papier de plus en plus doux. Poncer une dernière fois avec du papier très fin usé pour obtenir un fini professionnel qui met fin au





besoin de finir le ponçage à la main.

La vitesse de remplissage du sac à poussière varie selon le type de matériau poncé et la granulométrie du papier abrasif. Afin d'optimiser le rendement, vider souvent le sac à poussière et s'assurer que l'orifice de dépoussiérage n'est pas bloqué.

Lorsqu'on ponce des surfaces peintes, le papier abrasif s'engomme rapidement. Il est préférable d'utiliser au préalable un pistolet chauffant pour enlever la peinture. RESPECTER LES INSTRUCTIONS RELATIVES À L'UTILISATION DU PISTOLET CHAUFFANT QUI SE TROUVENT DANS LE GUIDE DE CET OUTIL.

**Français**

### **Mesures à prendre lors du ponçage de peinture**

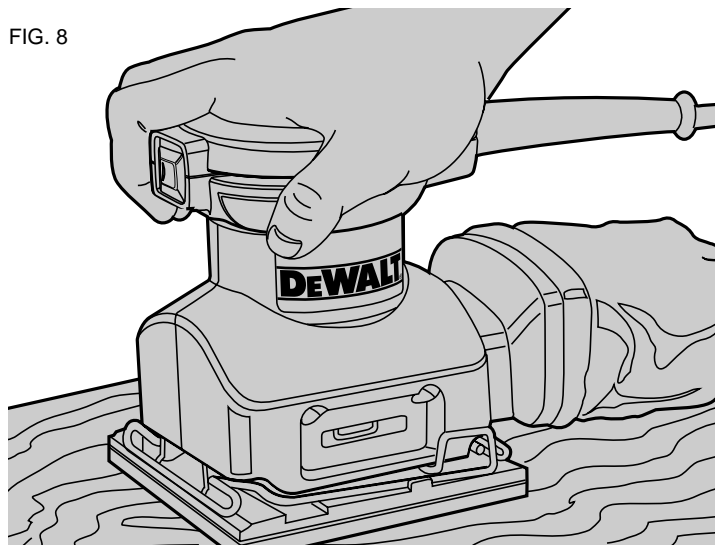
IL N'EST PAS RECOMMANDÉ de poncer de la peinture à base de plomb puisqu'il est difficile d'en maîtriser la poussière contaminée. Ce genre de ponçage présente de sérieux risques d'empoisonnement au plomb pour les femmes enceintes et les enfants.

Puisqu'il est difficile de déterminer si la peinture renferme du plomb sans en faire une analyse chimique, il est conseillé de se conformer aux mesures suivantes lors du ponçage de tout type de peinture.

#### **A. SÉCURITÉ PERSONNELLE**

1. Ne laisser aucun enfant ni aucune femme enceinte entrer dans la pièce où il y a ponçage de peinture jusqu'à ce que la pièce soit nettoyée.
2. Toute personne entrant dans la pièce de travail devrait

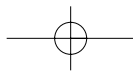
FIG. 8



porter un masque ou un appareil respiratoire. L'utilisateur devrait remplacer le filtre chaque jour ou dès qu'il éprouve de la difficulté à respirer.

**NOTE :** Il faut seulement utiliser des masques conçus pour le travail en présence de poussières ou de vapeurs de plomb. Les masques ordinaires ne sont pas conçus à cet effet. Consulter le quincaillier pour choisir le masque approprié.

3. IL EST INTERDIT DE MANGER, DE BOIRE ET DE FUMER dans la pièce de travail afin de ne pas ingérer des particules contaminées. L'utilisateur doit se laver et se nettoyer AVANT de manger, de boire ou de fumer. Il ne



faut pas laisser dans la pièce de travail de la nourriture, des boissons ou des cigarettes car de la poussière pourrait se déposer sur ces articles.

#### **B. PROTECTION DE L'ENVIRONNEMENT**

1. Il faut enlever la peinture de manière à produire un minimum de poussière.
2. Il faut sceller la zone de travail à l'aide de feuilles de plastique d'une épaisseur minimale de 4 mils.
3. Il faut poncer de façon à réduire la propagation de la poussière hors de la pièce de travail.

#### **C. NETTOYAGE ET DÉCHETS**

1. Il faut bien aspirer toutes les surfaces de la pièce de travail et les nettoyer à fond chaque jour pendant la durée des travaux. Il faut remplacer fréquemment le filtre de l'aspirateur.
2. Ramasser les feuilles de plastique et les jeter avec la poussière et les autres débris dans des contenants étanches à placer avec les ordures ménagères pour l'enlèvement. Tenir les enfants et les femmes enceintes à l'écart de la zone de travail pendant les travaux de nettoyage.
3. Il faut nettoyer à fond les jouets, les meubles et les ustensiles des enfants avant de les utiliser de nouveau.

La ponceuse accepte la plupart des papiers abrasifs, y compris ceux à revers autocollant. On peut se procurer du papier 1/4 feuille à revers autocollant dans la plupart des quincailleries.

### **Entretien de l'outil**

Garder l'outil le plus propre possible en l'essuyant avec un chiffon propre et en soufflant de l'air dans ses ouvertures après chaque 5 heures d'utilisation.

Ne pas utiliser de produits chimiques ni de solvants puissants pour le nettoyer. Ces produits peuvent endommager le plastique.

Éviter la surcharge de l'outil car elle cause une importante réduction de sa vitesse et de son rendement. De plus, la surcharge occasionne la surchauffe. Dans ce cas, faire fonctionner la ponceuse à vide pendant une ou deux minutes.

### **Remplacement des balais**

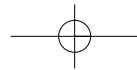
#### **METTRE LA PONCEUSE HORS TENSION ET LA DÉBRANCHER.**

Pour remplacer les balais de la ponceuse, il faut retirer les trois vis qui se trouve dans le couvercle de l'outil, comme le montre la figure 9.

Retirer le couvercle. Examiner les porte-balais, comme l'illustre la figure 10, et les fils qui vont des balais au champ du moteur.

Retirer les fils du champ du moteur, puis soulever et éloigner un des ressorts de balais. Enlever l'ancien balai du porte-balai et jeter l'assemblage fil-balai. Tout en tenant éloigné le ressort de balai, insérer un nouveau balai en place et laisser retourner le ressort jusqu'à ce qu'il repose contre l'arrière du balai, puis brancher le fil dans le champ du moteur. Répéter ces étapes pour le deuxième balai.

Remettre le couvercle en place et serrer les trois vis qui le retiennent. (Toujours remplacer les deux balais.)



## Accessoires

Les accessoires recommandés pour l'outil sont vendus séparément chez les détaillants ou aux centres de service de la région. La liste des ateliers d'entretien autorisés se trouve dans l'emballage. Pour trouver un accessoire, communiquer avec le détaillant ou le centre de service de la région.

**MISE EN GARDE** : L'utilisation de tout accessoire autre que ceux recommandés dans le présent guide peut être dangereuse.

### Adaptateur pour boyau d'aspirateur (Modèle DW4111)

Faire glisser sur la bride à l'arrière de l'outil (fig. 11). Il accepte différents types de boyaux d'aspirateur pour le dépoussiérage.

### Platine circulaire de 150 mm (6 po) (Modèle DW4112)

L'emballage comprend un tampon abrasif circulaire de 150 mm (6 po) afin de poncer les formes irrégulières.

Pour installer la platine circulaire, retirer les quatre vis de sous le tampon abrasif, puis retirer ce dernier et la platine rectangulaire. Remplacer celle-ci par la platine circulaire et le tampon abrasif circulaire de 150 mm (6 po de diamètre en se servant des quatre vis (fig. 12).

La platine accepte seulement des disques abrasifs à revers autocollant de 150 mm (6 po) de diamètre.

**NOTE** : L'utilisation de tout accessoire autre que ceux recommandés dans le présent guide peut être dangereuse.

## Lubrification

La ponceuse est montée sur des coussinets autolubrifiants qui ne requièrent pas de lubrification périodique. Il est toutefois

FIG. 9

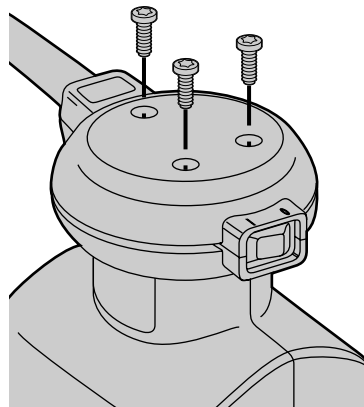
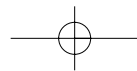
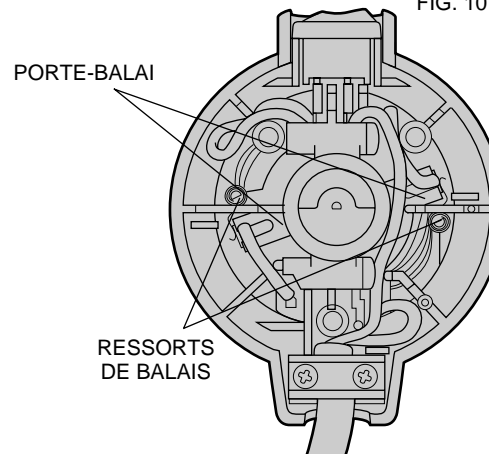


FIG. 10



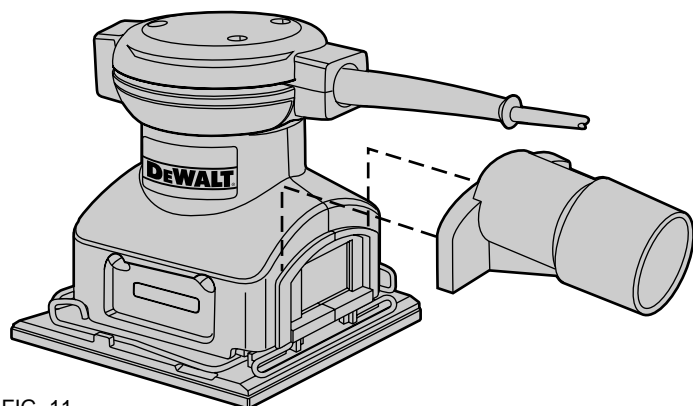


FIG. 11

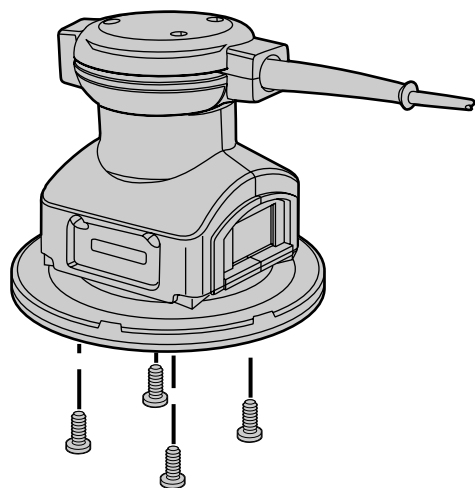


FIG. 12

conseillé de porter ou d'envoyer l'outil chaque année à un atelier d'entretien pour une inspection et un nettoyage complets.

### **Important**

Pour assurer la SÉCURITÉ D'EMPLOI et la FIABILITÉ de l'outil, n'en confier la réparation, l'entretien et les rajustements (y compris l'inspection et le remplacement des balais) qu'au personnel d'un centre de service DEWALT ou d'un atelier d'entretien autorisé n'utilisant que des pièces de rechange identiques.

### **Garantie complète**

Les outils industriels de service intensif DEWALT sont garantis pendant un an à partir de la date d'achat. Toute pièce d'un outil DEWALT qui s'avérerait défectueuse en raison d'un vice de matière ou de fabrication sera réparée ou remplacée sans frais. Pour obtenir de plus amples renseignements sur les réparations couvertes par la garantie, composer le 1 (800) 4-DEWALT (! (800) 433-9258). La garantie ne couvre pas les accessoires ni les réparations tentées ou effectuées par des tiers. Les modalités de la présente garantie donnent des droits légaux spécifiques. L'utilisateur peut également se prévaloir d'autres droits selon l'état ou la province qu'il habite.

En outre, la garantie suivante couvre les outils DEWALT.

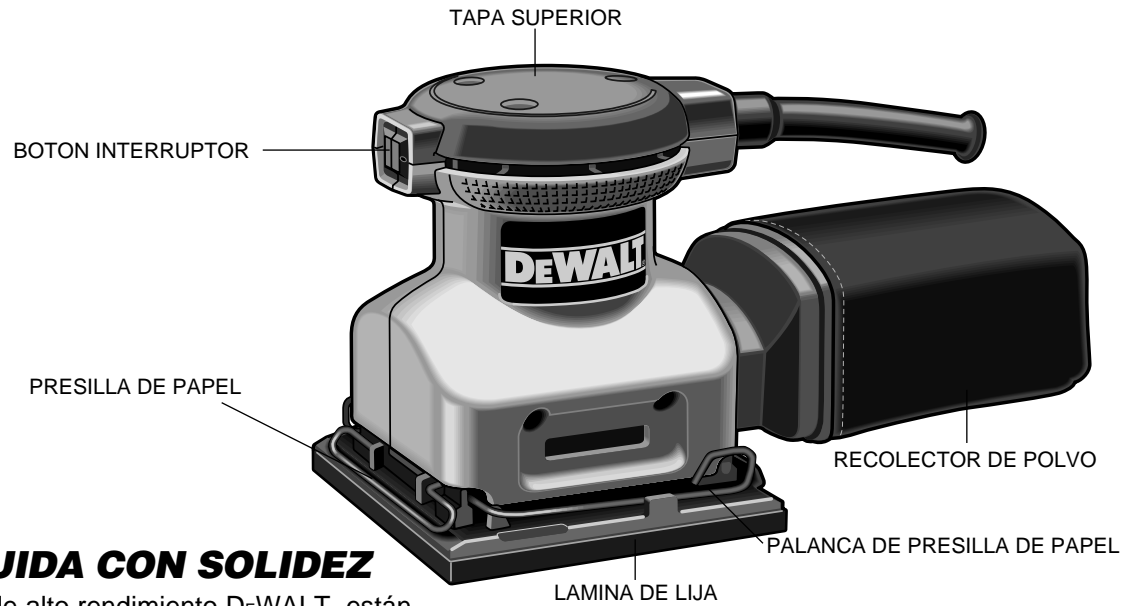
### **GARANTIE DE SATISFACTION DE 30 JOURS OU ARGENT REMIS**

Si, pour quelque raison que ce soit, l'outil industriel de service intensif DEWALT ne donne pas entière satisfaction, il suffit de le retourner chez le marchand participant dans les 30 jours suivant la date d'achat afin d'obtenir un remboursement complet. Il faut retourner, port payé, l'outil complet. On peut exiger une preuve d'achat.

Voir la rubrique "Outils électriques"  
des Pages Jaunes  
pour le service et les ventes.







## **DeWALT...CONSTRUIDA CON SOLIDEZ**

Las herramientas industriales de alto rendimiento DeWALT, están fabricadas para las aplicaciones industriales y de construcción más exigentes. El diseño de cada herramienta de la línea, de taladros a lijadoras es el resultado del uso continuo en el terreno profesional y en toda la industria. Cada herramienta está fabricada con rigurosa precisión, empleando los sistemas de fabricación más avanzados y un control de calidad intensivo.

Cada herramienta es probada antes de salir de fábrica para asegurar que cumple con sus estándares de durabilidad, confianza y potencia.

**DeWALT** Construida con Solidez...LO GARANTIZAMOS.

## **Instrucciones importantes de seguridad**

**ADVERTENCIA:** Es indispensable sujetarse a las precauciones básicas de seguridad, con la finalidad de reducir el peligro de incendio, choque eléctrico y lesiones personales, en todas las ocasiones en que se utilicen herramientas eléctricas. Entre estas precauciones se incluyen la siguientes:

**LEA TODAS LAS INSTRUCCIONES**

### **Doble aislamiento**

Las herramientas DOBLEMENTE aisladas se han elaborado de manera integral con dos capas separadas de aislamiento eléctrico o una capa doble de aislamiento entre usted y el sistema eléctrico que contienen. Las herramientas construidas con este sistema de aislamiento no requieren conectarse a tierra. Como resultado su herramienta está equipada con una clavija de dos patas que le permite emplear cordones de extensión sin preocuparse por tener una conexión a tierra.

**NOTA:** El doble aislamiento no substituye a las precauciones normales de seguridad cuando se opera esta herramienta. La finalidad de este sistema de aislamiento es ofrecer a usted protección añadida contra lesiones resultantes de fallas en el aislamiento eléctrico interno de la herramienta.

**PRECAUCION:** UTILICE SOLAMENTE REFACCIONES ORIGINALES CUANDO HAGA SERVICIO a cualquier herramienta. Repare o reemplace los cordones eléctricos dañados.

## **Clavijas polarizadas**

Se emplean clavijas polarizadas (con una pata más ancha que la otra) para reducir los riesgos de choque eléctrico. Cuando el cordón eléctrico cuente con este tipo de clavija, ajustará en un contacto polarizado solamente de una manera. Si la clavija no ajusta completamente en su contacto, inviértala. Si aún así no ajusta, llame a un electricista calificado para que le instale un contacto polarizado apropiado. No modifique o haga cambios en la clavija por ningún motivo.

### **INSTRUCCIONES DE SEGURIDAD PARA TODAS LAS HERRAMIENTAS**

- **CONSERVE LIMPIA LA ZONA DE TRABAJO.** *Las superficies y los bancos con objetos acumulados en desorden propician los accidentes.*
- **OTORQUE PRIORIDAD A LA ZONA DE TRABAJO.** *No deje las herramientas eléctricas expuestas a la lluvia. No las utilice en lugares inundados o mojados. Conserve bien iluminada la zona de trabajo. No utilice la herramienta en presencia de líquidos o gases inflamables.*
- **PROTEJASE CONTRA EL CHOQUE ELECTRICO.** *Evite el contacto corporal con superficies aterrizadas, por ejemplo, tuberías, radiadores, antenas y gabinetes de refrigeración.*
- **CONSERVE APARTADOS A LOS NIÑOS.** *No permita que los visitantes toquen las herramientas o los cables de extensión. Todos los visitantes deben estar alejados de la zona de trabajo.*

- **GUARDE LAS HERRAMIENTAS QUE NO EMPLEE.** Las herramientas que no se utilizan deben guardarse en un lugar seco y elevado o bajo llave — fuera del alcance de los niños.
- **NO FUERCE LA HERRAMIENTA.** Esta cumplirá su función mejor y con más seguridad a la velocidad y la presión para las que se diseñó.
- **EMPLEE LA HERRAMIENTA ADECUADA.** No fuerce a una herramienta pequeña o a sus dispositivos de montaje en un trabajo de tipo pesado. No emplee la herramienta en una tarea para la que no se diseñó.
- **VISTASE DE LA MANERA ADECUADA.** No use ropas o artículos de joyería flojos, pues podrían quedar atrapados por las partes móviles de las herramientas. Se recomienda el empleo de guantes de caucho y calzado antiderrapante cuando se trabaje al aire libre. Cúbrase bien la cabeza para sujetarse el cabello si lo tiene largo.
- **COLOQUESE ANTEOJOS DE SEGURIDAD.** Póngase también una mascarilla contra el polvo si lo produce la operación que va a efectuar.
- **TENGA CUIDADO CON EL CORDON ELECTRICO.** Nunca levante la herramienta tomándola por el cordón, ni tire de éste para desconectarlo del enchufe. Apártelo del calor y los objetos calientes, las substancias grasosas y los bordes cortantes.
- **ASEGURE LOS OBJETOS SOBRE LOS QUE TRABAJE.** Utilice prensas o tornillos de banco para sujetar los objetos sobre los que va a trabajar. Esto ofrece mayor seguridad que sujetar los objetos con la

mano, y además deja libres ambas manos para operar la herramienta.

- **CONSERVE EL EQUILIBRIO.** Conserve en todo momento bien apoyados los pies, lo mismo que el equilibrio.
- **CUIDE SUS HERRAMIENTAS.** Conserve sus herramientas afiladas y limpias para que funcionen mejor y con mayor seguridad. Siga las instrucciones para lubricación y cambio de accesorios de su unidad. Revise periódicamente el cordón eléctrico y hágalo reparar o reemplazar por un centro de servicio si está dañado. Cambie los cordones de extensión si están dañados. Conserve las empuñaduras secas, limpias y libres de aceite y grasa.
- **DESCONECTE Y APAGUE LAS HERRAMIENTAS** cuando no las use, antes de darles servicio y cuando cambie accesorios, tales como discos, brocas y otros dispositivos de corte.
- **RETIRE LAS LLAVES DE AJUSTE Y DE TUERCAS.** Adquiera el hábito de asegurarse que se han retirado las llaves de ajuste de las herramientas antes de accionarlas.
- **EVITE QUE LA HERRAMIENTA SE ACCIONE ACCIDENTALMENTE.** Nunca sostenga una herramienta que está conectada con el dedo en el interruptor. Asegúrese que el interruptor está en posición de “apagado” antes de conectar la unidad.
- **CORDONES DE EXTENSION.** Asegúrese que su cordón de extensión esté en buenas condiciones. Cuando utilice un cordón de extensión, asegúrese que

tenga el calibre suficiente para soportar la corriente necesaria para su herramienta. Un cordón eléctrico con calibre insuficiente causará una caída en el voltaje de la línea, resultando en pérdida de potencia y sobrecalentamiento. La tabla siguiente ilustra el calibre correcto que debe utilizarse de conformidad con la longitud del cordón y el amperaje descrito por la placa de identificación. Si tiene alguna duda, utilice el cable con el calibre siguiente (mayor). Mientras más chico sea el número, mayor será su calibre.

Volts	Calibre mínimo para cordones de extensión				
	Longitud total del cordón en metros				
120V	0-7.62	7.63-15.24	15.25-30.48	30.49-45.72	
240V	0-15.24	15.25-30.48	30.49-60.96	60.97-91.44	
AMPERAJE					
Más de	No más de	Calibre del cordón			
0	- 6	18	16	16	14
6	- 10	18	16	14	12
10	- 12	16	16	14	12
12	- 16	14	12	No Recomendado	

- **CORDONES DE EXTENSION PARA INTEMPERIE.** Cuando opere su herramienta a la intemperie, utilice únicamente cordones de extensión diseñados y marcados para este fin.
- **NO SE DISTRAIGA.** Concéntrese en lo que está haciendo. Recorra al sentido común. No opere ninguna herramienta si está fatigado.
- **VERIFIQUE LAS PARTES DAÑADAS.** Antes de seguir empleando cualquier herramienta, es indispensable verificar con mucho cuidado que las guardas u otras partes dañadas puedan operar de la manera adecuada para cumplir con su función. Verifique la alineación de las partes

móviles, la firmeza con que deben encontrarse sujetas a sus montaduras, las partes rotas, las propias montaduras y cualesquiera otros detalles que pudieran afectar la operación de la herramienta. Las guardas y otras partes que se encuentren dañadas deberán cambiarse o repararse en un centro de servicio autorizado, a menos que se diga otra cosa en el manual del usuario. Haga que se cambien los interruptores dañados en un centro de servicio autorizado. No emplee ninguna herramienta que tenga estropeado o inutilizado el interruptor.

## Instrucciones especiales de seguridad para lijadoras

- **SIEMPRE UTILICE PROTECCION PARA LOS OJOS.**
  - Limpie su herramienta periódicamente.
  - **PRECAUCION:** algunos tipos de madera contienen conservadores como el arsenato cúprico de cromo (CCA) que pueden ser tóxicos. Cuando lije estos materiales tenga precaución para evitar la inhalación y minimizar el contacto de estas sustancias con la piel.
- ⚠ADVERTENCIA: El uso de esta herramienta puede generar polvo con contenido de productos químicos que se sabe que causan cáncer, defectos congénitos u otros daños reproductivos. Utilice la protección respiratoria adecuada.

## CONSERVE ESTAS INSTRUCCIONES

Español

## Motor

Su herramienta DEWALT tiene un motor hecho por DEWALT. Asegúrese que la fuente de electricidad coincida con la de la etiqueta. (Voltaje, 120 CA solamente)

Una bajada de corriente de más de 10% causará la pérdida de potencia y calentamiento.

Todas las herramientas DEWALT están probadas de fábrica; si su herramienta no funciona, revise la fuente de electricidad.

## Colocación de papel abrasivo

Su lijadora está diseñada para usar láminas lijadoras de cuarto de pliego. Este tamaño puede hacerse:

- Cortando una lámina de papel de lija de tamaño 9" x 11" en cuatro láminas de un 1/4 de pliego de 4-1/2" x 5-1/2".
- Cortando una lámina de medio de pliego en dos de 4-1/2" x 5-1/2". Papel ya cortado de 4-1/2" x 5-1/2" está disponible con coste adicional. Para operaciones normales, encaje el papel abrasivo a su herramienta como sigue.

### PARA OPERACION NORMAL, HAGA LO SIGUIENTE:

- Emblandezca el papel frotándolo sobre el extremo de una mesa u otro objeto similar, como se muestra en la Figura 1. Ponga atención de emblandecer los extremos que se van a pinzar.
- Levante la palanca de presilla, desenganchándola del gancho de la base, soltando así la presilla. (Vea Fig. 2)
- Inserte el extremo de 4-1/2" del papel de lija debajo de la presilla del papel frontal, como se muestra en la Figura 3, hasta que tope con las varillas del límite del papel como se muestra en la figura. Cierre la presilla del papel frontal

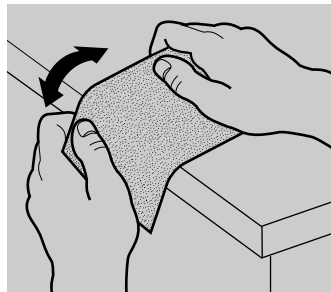


FIG. 1

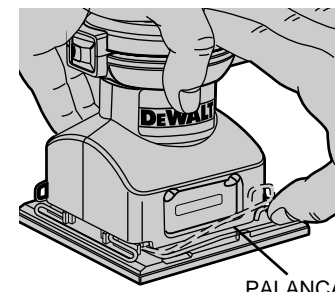


FIG. 2

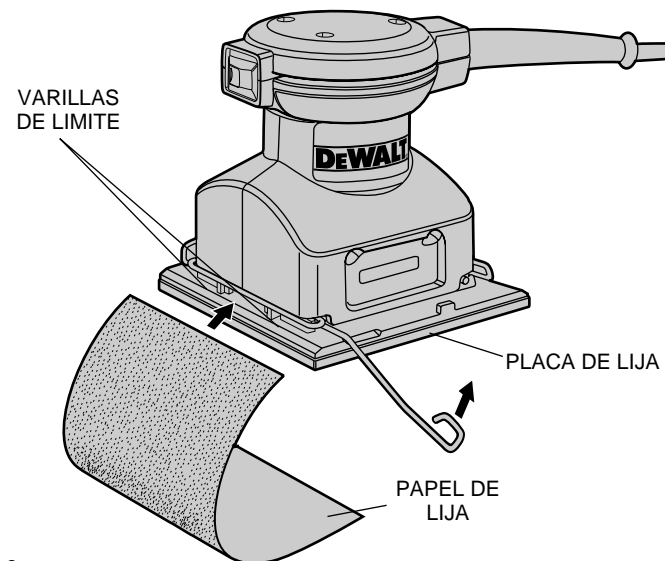
PALANCA  
DE PRESILLA

FIG. 3

VARILLAS  
DE LIMITE

PLACA DE LIJA

PAPEL DE  
LIJA

PERFORADORA DE PAPEL

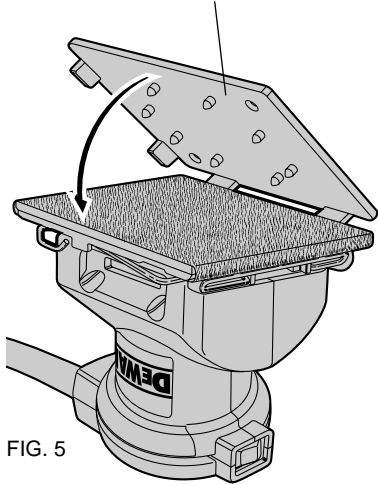


FIG. 5

FIG. 4 BOTON INTERRUPTOR

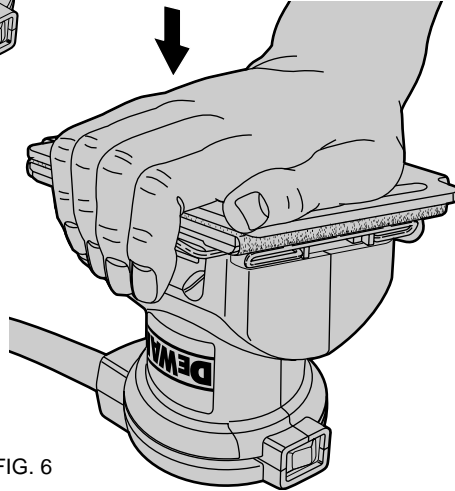
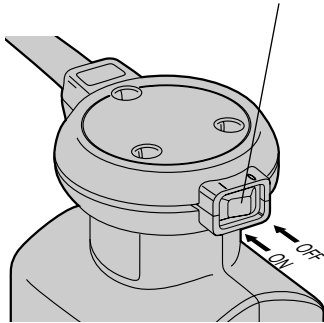


FIG. 6

y engánchela en posición cerrada detras del gancho de la placa base.

4. Extienda el papel sobre la placa de lija e insértelo en la presilla opuesta de la misma forma.
5. Si está usando el sistema de extracción de polvo, perforo el papel de lija con la perforadora de papel que viene incluido; como viene en la página 29.

### **Botón Interruptor**

Para poner en marcha la herramienta, apriete el interruptor protegido del polvo, que corresponde con el símbolo "I". Para apagarla, apriete el lado de interruptor que corresponde con el símbolo "0". Mire la Figura 4.

### **Perforadora de papel**

Con su lijadora se incluye una perforadora de papel. Este permite perforar el papel de lija normal para hacer posible la recolección de polvo.

Para perforar el papel lija, instale éste en la herramienta como se indica en este manual. Con la lijadora apagada y desenchufada, ponga la perforadora sobre el papel así que las presillas a los extremos de la misma están contra cualquiera de los dos lados adyacentes de la placa lijadora, como muestra la Figura 5. Presione la lijadora contra la placa perforadora para que los ocho puntos penetren en el papel, como muestra la Figura 6. (Presione hasta el fondo.) Quite el papel y ya está listo.

Un método alternativo de perforar el papel es de fijar la perforadora en una superficie de trabajo apropiada y

presionar la lijadora (con el papel instalado) sobre la perforadora. Se incluyen dos agujeros en la perforadora para esta operación. Use tornillos planos número 8.

### **Recolector de polvo**

**RECOLECTOR DE POLVO: NUNCA USE ESTA HERRAMIENTA CON PAPEL PERFORADO AL MENOS QUE EL COLECTOR ESTE CONECTADO.**

Para usar el sistema de recolección de polvo, baje el extremo de plástico del recolector sobre el reborde y empújelo hasta el fondo, como muestra la Figura 7.

Para vaciar el recolector, sáquelo de la lijadora y vacíelo.

### **Operación**

Para usar su lijadora, sujételo como muestra en la Figura 8 y póngalo en marcha. Muévela en carrera largas y amplias sobre la superficie a lijar, dejándola hacer el trabajo. El apretar la herramienta mientras lija hace que disminuya la velocidad de lijado y produce un acabado inferior. Asegúrese de revisar su trabajo a menudo, esta lijadora es capaz de lijar material rápidamente, especialmente con papel grueso.

Su lijadora está diseñada a encajar sobre tres lados (cuatro lados sin el recolector de polvo) para lijar esquinas; y su pequeño tamaño y lijereza la hacen ideal para trabajos por encima de la cabeza.

La acción orbital de su lijadora le permite lijar con la veta o en cualquiera de sus ángulos en la mayoría de las aplicaciones. En los últimos pasos de lijado, como se menciona debajo, un mejor acabado será posible si lija solamente con la veta.

Para conseguir el mejor acabado, empiece con papel de lija

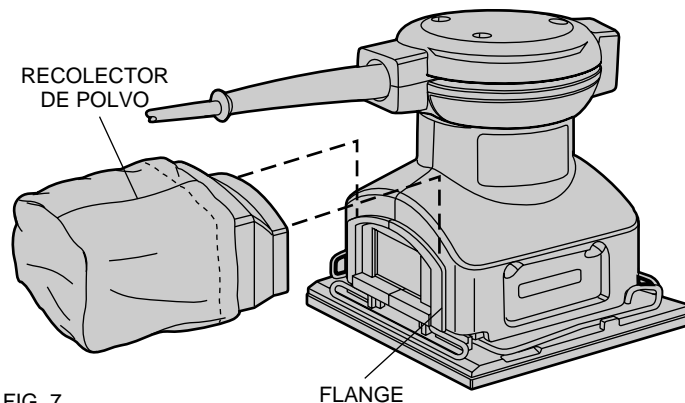
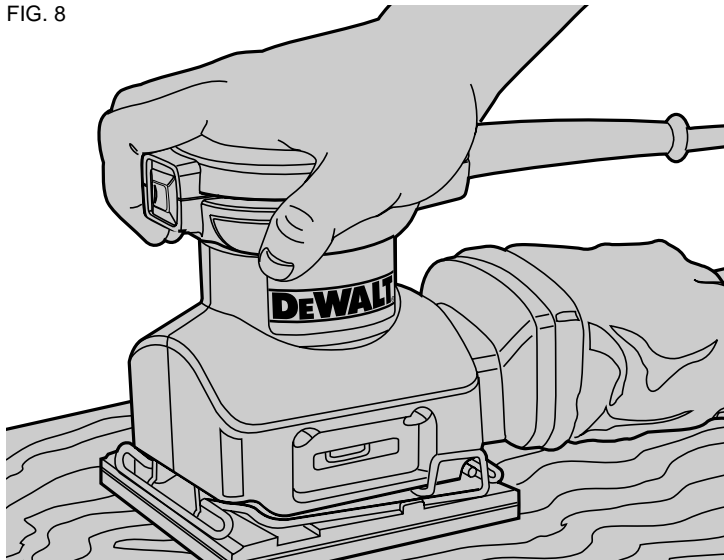


FIG. 7

FIG. 8



gruesa y cámbielo sistemáticamente por un papel cada vez más fino. Un lijado final con papel de lija gastado y fino producirá un acabado profesional que en muchos casos no necesitará lijarse a mano.

El paso con qué el recolector de polvo se llena variará con el tipo de material que se está lijando y con el grosor del papel. Para mejores resultados, vacíe la bolsa frecuentemente y asegúrese que la abertura no esté atascada. Cuando lije en superficies pintadas, puede ser que el papel de lija se acumule y se atasque de pintura. Una pistola de calor funciona mejor para quitar la pintura antes de lijar. SIGA TODAS LAS INSTRUCCIONES DE SEGURIDAD EN EL MANUAL DE

## INSTRUCCIONES DE LAS PISTOLAS DE CALOR.

### **Precauciones a tomar al lijar pintura**

NO SE RECOMIENDA lijar pintura con base de plomo debido a la dificultad de controlar el polvo contaminante. Niños y mujeres embarazadas representan el grupo de mayor peligro de envenenamiento de plomo.

Debido a la dificultad de identificar sin un análisis químico si una pintura contiene o no plomo, recomendamos las siguientes instrucciones cuando lije pintura:

#### **A. SEGURIDAD PERSONAL**

1. Niños o mujeres embarazadas no deben de entrar a la zona de trabajo donde se está lijando pintura hasta que se haya limpiado todo completamente.
2. Toda persona en la zona de trabajo debe llevar puesto una mascarilla contra el polvo o respirador. El filtro debe de cambiarse todos los días o cuando se tenga dificultad al respirar.

**NOTA:** Sólo se deben usar máscaras adecuadas para trabajos con polvo de pintura con base de plomo y gases. Para pintura normal no hay que llevar esta protección.

3. NINGUNA COMIDA, BEBIDA O CIGARRILLO debe consumirse en la zona de trabajo para evitar la ingestión de partículas contaminadas. Los que trabajan deben de lavarse y limpiar todo ANTES de comer, beber o fumar. No se debe dejar comida, bebidas o cigarrillos en la zona de trabajo donde puede llegarles el polvo.

#### **B. SEGURIDAD DEL MEDIO AMBIENTE**

1. Se debe quitar la pintura de tal forma que se produzca la menor cantidad de polvo posible.



2. Las zonas en las que se lije pintura deben de estar protegidas con láminas de plástico de 4 milésima de pulgada de grosor.
3. A la hora de lijar se debe de reducir el esparcimiento de polvo de pintura fuera de la zona de trabajo.

### C. LIMPIEZA Y ELIMINACION DE RESIDUOS

1. Todas las superficies de la zona de trabajo deben de ser aspiradas y limpiadas profundamente todos los días durante la duración del proyecto de lijado. Las bolsas del filtro de la aspiradora deben de cambiarse frecuentemente.
2. La ropa de protección de plástico debe de juntarse y eliminarse con las virutas de serrín y otros residuos. Se deben de colocar en contenedores cerrados y ponerse en el lugar normal de recogida de basura.  
A la hora de realizar la limpieza, niños y majeres embarazadas deben estar fuera de la zona de trabajo inmediata.
3. Todo juguete, muebles lavables o utensilios usados por niños deben de lavarse en profundidad antes de usarse de nuevo.

### **Cuidada de la herramienta**

Mantenga su herramienta tan limpia como sea posible frotándola con un trozo de tela limpio y echando aire a través de la misma cada cinco horas de uso.

No use químicos o disolventes fuertes para limpiarla. Estos pueden dañar seriamente el plástico de la misma.

Evite la sobrecarga de la lijadora. Esto puede reducir

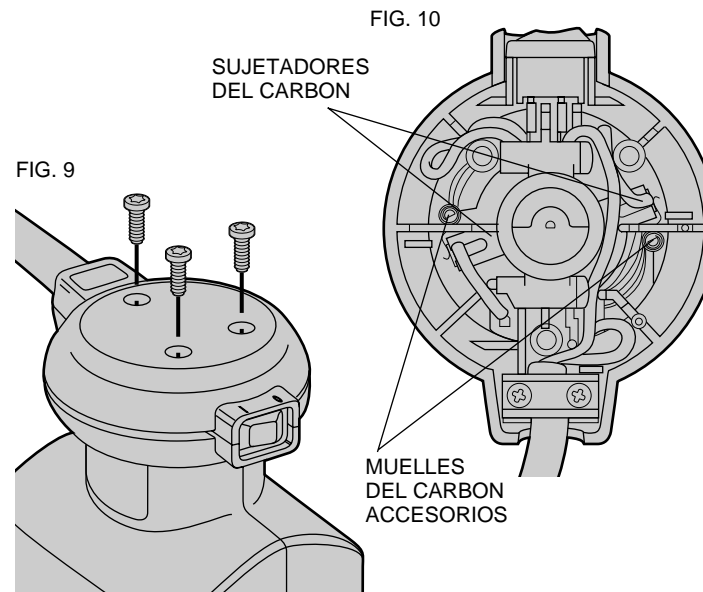
considerablemente la velocidad y la eficacia de la misma a la vez de recalentarla. Si esto ocurre, situe la lijadora en una posición "sin carga" por uno o dos minutos.

### **Reemplazo de carbones**

#### **DESCONECTE Y DESENCHUFE LA LIJADORA**

Para reemplazar los carbones, quite los tres tornillos que están en la tapa superior, como muestra la Figura 9.

Levante la tapa. Tenga cuidado con los sujetadores del carbón, como muestra la Figura 10, y con los cables que van



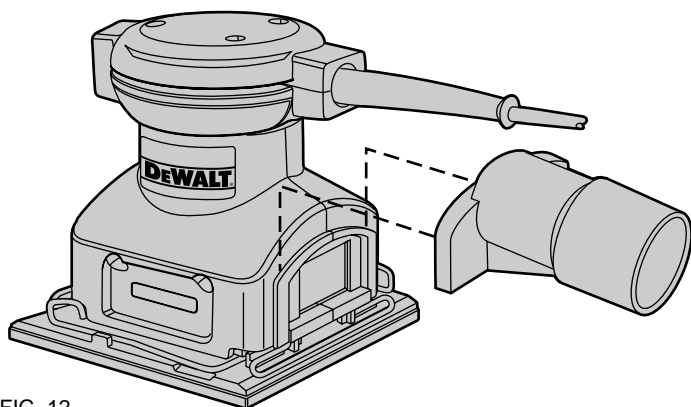


FIG. 12

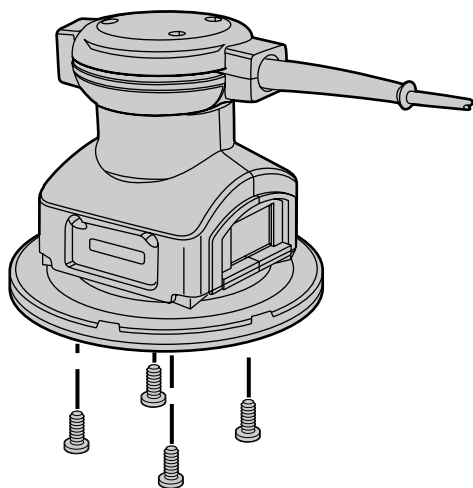


FIG. 13

de los carbones al campo del motor.

Saque los cables del campo del motor y después levántelo manteniendo fuera uno de los muelles del carbón. Quite el carbón viejo del sujetador y tire el ensamblaje de cables del mismo. Manteniendo apartado todavía el muelle, inserte el carbón nuevo, soltando el muelle contra la parte trasera del carbón y conecte el cable al motor. Repita la operación para el segundo carbón.

Coloque la tapa superior y apriete los tres tornillos. (Siempre reemplace ambos carbones)

### Accesorios

Los accesorios recomendados para uso con su herramienta están disponibles con un costo adicional en el centro de servicio.

**AVISO:** El uso de cualquier accesorio no recomendado puede ser peligroso.

Una lista de centros de servicio está incluida en el manual de instrucciones.

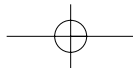
#### Adaptador para la manguera de extracción de polvo (DW4111)

Se desliza sobre el embudo en la parte trasera de la herramienta, como muestra la Figura 11. Acepta gran variedad de manguitos de aspiradora para la extracción de polvo.

#### Placa circular de 6" (DW4112)

Incluye una lámina circular de lija para lijar formas irregulares donde se requiera flexibilidad extra.

Para instalar la placa circular, quite los cuatro tornillos en la parte de abajo de la lija y quite ésta y la placa rectangular.



Reemplácela con la placa circular y la lámina circular de 6" de diámetro usando los mismos cuatro tornillos, como muestra la Figura 12.

Acepta solamente discos de lija adhesivos en la parte posterior de 6" de diámetro.

**NOTA:** Los accesorios recomendados para esta herramienta están listados en este manual. El uso de otros accesorios puede ser peligroso.

## Lubricación

Los cojinetes de bola usados en esta herramienta se lubrican por sí solos y no requieren lubricación periódica alguna. Sin embargo, se recomienda que una vez al año, se lleve o envíe la herramienta a un centro de servicio para una limpieza profunda y una inspección.

## Importante

Para asegurar la seguridad y durabilidad de este producto, reparaciones, mantenimiento, y ajustes deben ser realizados por un centro de servicio DEWALT u otras organizaciones de servicio cualificadas. Estas organizaciones mantienen herramientas DEWALT usando piezas de repuesto de DEWALT. Centros de servicios de herramientas industriales Black and Decker Inc. están certificados para el mantenimiento de herramientas DEWALT.

## Garantía Completa

Las herramientas industriales DeWalt están garantizadas durante un año a partir de la fecha de compra. Repararemos, sin cargos, cualquier falla debida a material o mano de obra defectuosos. Por favor regrese la unidad completa, con el transporte pagado, a cualquier Centro de Servicio para Herramientas Industriales de DeWalt o a las estaciones de servicio autorizado enlistadas bajo "Herramientas Eléctricas" en la Sección Amarilla. Esta garantía no se aplica a los accesorios ni a daños causados por reparaciones efectuadas por terceras personas. Esta garantía le otorga derechos legales específicos, y usted puede tener otros derechos que pueden variar de estado a estado.

En adición a la garantía, las herramientas DEWALT están amparadas por nuestra:

### GARANTÍA DE SATISFACCIÓN SIN RIESGO POR 30 DÍAS

Si usted no se encuentra completamente satisfecho con el desempeño de su herramienta industrial DeWalt, sencillamente devuélvala a los vendedores participantes durante los primeros 30 días después de la fecha de compra para que le efectúen un reembolso completo. Por favor

IMPORTADO: DEWALT S.A. DE C.V.  
BOSQUES DE CIDROS ACCESO RADIATAS NO. 42  
COL. BOSQUES DE LAS LOMAS.  
05120 MÉXICO, D.F.  
TEL. 326-7100

Para servicio y ventas consulte  
"HERRAMIENTAS ELECTRICAS"  
en la sección amarilla.

