

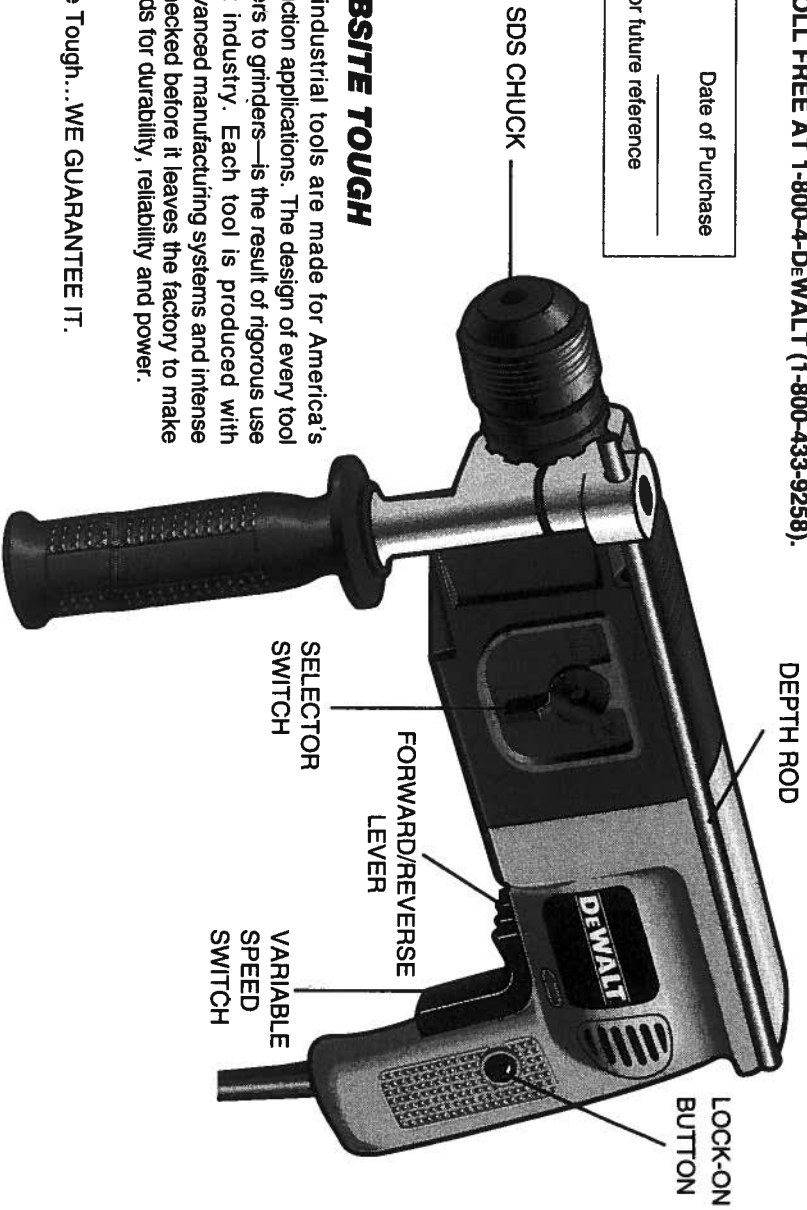
# **DEWALT**®

**INSTRUCTION MANUAL**

**DW514 Pistol Grip Rotary Hammer**

**IF YOU HAVE ANY QUESTIONS OR COMMENTS ABOUT THIS OR ANY  
DeWALT TOOL, CALL US TOLL FREE AT 1-800-4-DEWALT (1-800-433-9258).**

Serial Number from Nameplate	Date of Purchase
Save this information for future reference	



**DeWALT...BUILT JOBSITE TOUGH**

DeWALT high performance industrial tools are made for America's toughest industrial and construction applications. The design of every tool in the line—from drills to sanders to grinders—is the result of rigorous use on jobsites and throughout industry. Each tool is produced with painstaking precision using advanced manufacturing systems and intense quality control. Every tool is checked before it leaves the factory to make sure that it meets your standards for durability, reliability and power.

**DeWALT** Built Jobsite Tough...WE GUARANTEE IT.

## Important Safety Instructions

**WARNING:** When using Electric Tools, basic safety precautions should always be followed to reduce the risk of fire, electric shock, and personal injury, including the following:

### READ ALL INSTRUCTIONS

- **KEEP WORK AREA CLEAN.** Cluttered areas and benches invite injuries.
- **CONSIDER WORK AREA ENVIRONMENT.** Don't expose power tools to rain. Don't use power tools in damp or wet locations. Keep work area well lit.
- **GUARD AGAINST ELECTRIC SHOCK.** Prevent body contact with grounded surfaces. For example, pipes, radiators, ranges, refrigerator enclosures.
- **KEEP CHILDREN AWAY.** All visitors should be kept away from work area. Do not let visitors contact tool or extension cord.
- **STORE IDLE TOOLS.** When not in use, tools should be stored in dry, and high or locked-up place - out of reach of children.
- **DON'T FORCE TOOL.** It will do the job better and safer at the rate for which it was intended.
- **USE RIGHT TOOL.** Don't force small tool or attachment to do the job of a heavy-duty tool. Don't use tool for purpose not intended, for example, don't use circular saw for cutting tree limbs or logs.
- **DRESS PROPERLY.** Do not wear loose clothing or jewelry. They can be caught in moving parts. Rubber gloves and non-skid footwear are recommended when working outdoors. Wear protective hair covering to contain long hair.
- **USE SAFETY GLASSES.** Also use face or dust mask if cutting operation is dusty.
- **DON'T ABUSE CORD.** Never carry tool by cord or yank it to disconnect from receptacle. Keep cord from heat, oil, and sharp edges.
- **SECURE WORK.** Use clamps or a vise to hold work. It's safer than using your hand and it frees both hands to operate tool.

- **DON'T OVERREACH.** Keep proper footing and balance at all times.
- **MAINTAIN TOOLS WITH CARE.** Keep tools sharp and clean for better and safe performance. Follow instructions for lubricating and changing accessories. Inspect tool cords periodically and if damaged have repaired by a DeWALT certified service center. Inspect extension cords periodically and replace if damaged. Keep handles dry, clean, and free from oil and grease.
- **DISCONNECT TOOLS.** When not in use, before servicing, and when changing accessories, such as blades, bits, cutters.
- **REMOVE ADJUSTING KEYS AND WRENCHES.** Form habit of checking to see that keys and adjusting wrenches are removed from tool before turning it on.
- **AVOID UNINTENTIONAL STARTING.** Don't carry plugged-in tool with finger on switch. Be sure switch is off when plugging in.
- **OUTDOOR USE EXTENSION CORDS.** When tool is used outdoors, use only extension cords intended for use outdoors and so marked.
- **STAY ALERT.** Watch what you are doing. Use common sense. Do not operate tool when you are tired.
- **CHECK DAMAGED PARTS.** Before further use of the tool, a guard or other part that is damaged should be carefully checked to determine that it will operate properly and perform its intended function. Check for alignment of moving parts, binding or moving parts, breakage of parts, mounting, and any other conditions that may affect its operation. A guard or other part that is damaged should be properly repaired or replaced by a DeWALT certified service center unless otherwise indicated elsewhere in this instruction manual. Have defective switches replaced by a DeWALT certified service center. **Do not use tool if switch does not turn it on and off.**
- **DO NOT OPERATE** portable electric tools near flammable liquids or in gaseous or explosive atmospheres. Motors in these tools normally spark, and the sparks might ignite fumes.

### SAVE THESE INSTRUCTIONS FOR FUTURE USE

## **Additional Safety Rules For Rotary Hammers**

1. Wear safety goggles or other eye protection.
  2. Wear ear protectors when hammering for extended periods.
  3. Always use the side handle supplied with the tool. Keep a firm grip on the hammer when it is operating.
  4. Don't overreach with the hammer. Maintain a firm, balanced working stance. When necessary, use only properly positioned, safe platforms, ladders and scaffolds, to do the job SAFELY!
  5. Hammer bits and tools get hot in operation. Wear gloves when touching them.
- CAUTION:** When drilling into walls, floors or wherever "live" electrical wires may be encountered DO NOT TOUCH THE CHUCK OR ANY FRONT METAL PARTS OF THE HAMMER! Hold the Hammer only by the plastic handles to prevent electric shock if you drill into a "live" wire.

## **Motor**

Your DEWALT tool is powered by a DEWALT-built motor. Be sure your power supply agrees with the nameplate marking. Volts 50/60 Hz or "AC only" means your tool must be operated only with alternating current and never with direct current. Volts DC-60Hz or AC/DC means your tool may be operated with either alternating or direct current.

voltage decrease or more than 10% will cause loss of power and overheating. All DEWALT tools are factory tested; if this tool does not operate, check the power supply.

## **Double Insulation**

DOUBLE-INSULATED tools are constructed throughout with TWO separate "layers" of electrical insulation or one DOUBLE thickness of insulation between you and the tool's electrical system.

Tools built with this insulation system are not intended to be grounded. As a result, your tool is equipped with a plug which permits you to use extension cords without concern for maintaining a ground connection.

**NOTE:** DOUBLE INSULATION does not take the place of normal safety precautions when operating this tool. The insulation system is for added protection against injury resulting from a possible electrical insulation failure within the tool.

**CAUTION:** When servicing all tools, **USE ONLY IDENTICAL REPLACEMENT PARTS.** Repair or replace damaged cords.

## **Extension Cords**

Only round jacketed extension cords should be used, and we recommend that they be listed by Underwriters' Laboratories (U.L.) (C.S.A. in Canada). If the extension will be used outside, the cord must be suitable for outdoor use. Any cord marked as outdoor can also be used for indoor work. The letters "WA" on the cord jacket indicate that the cord is suitable for outdoor use.

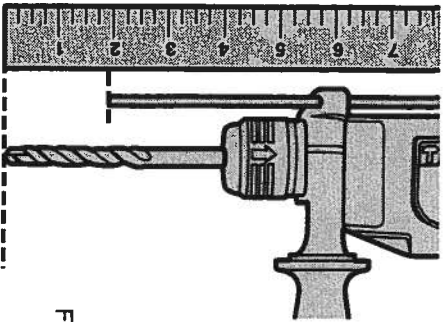


FIG. 1

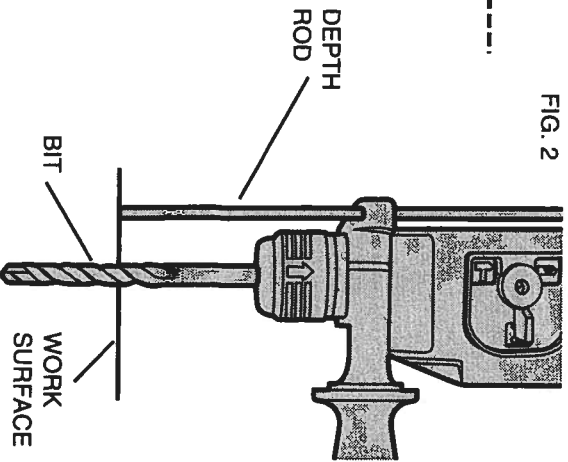


FIG. 2

An extension cord must have adequate wire size for safety, and to prevent loss of power and overheating. When using more than one extension to make up the total length, be sure each individual extension contains at least the minimum wire size.

To determine the minimum wire size required, refer to the chart below:

**CHART FOR MINIMUM WIRE SIZE (AWG)  
OF EXTENSION CORDS**

NAMEPLATE RATING-AMPS	TOTAL EXTENSION CORD LENGTH-FEET									
	25	50	75	100	125	150	175	200		
0 - 10.0	18	18	16	16	14	14	14	12	12	12
10.1 - 13.0	16	16	14	14	14	14	12	12	12	12
13.1 - 15.0	14	14	12	12	12	12	12	12	12	—

Before using an extension cord, inspect it for loose or exposed wires, damaged insulation, and defective fittings. Make any needed repairs or replace the cord if necessary.

**Operating Instructions**

**SIDE HANDLE**

For operating convenience, the side handle can be rotated to any position around the tool (360°).

**DEPTH ROD**

To adjust the depth rod, loosen the handle and move rod so that the distance between the end of the rod and the end of the bit equals the desired drilling depth (Figure 1). NOTE: Bit must be fully seated in the hammer when measuring. Figure 2 shows how the depth rod contacts the work surface when the desired hole depth is reached.

### **Switch (Fig 3)**

The motor is operated by a variable speed trigger switch which, when depressed, turns the tool on. The variable speed switch allows slow starting when hammering for exact hole positioning or when working with brittle surfaces such as glazed tile. The further the trigger is depressed, the higher the R.P.M. (Revolutions Per Minute) and B.P.M. (Beats Per Minute). Releasing the trigger turns the tool off.

### **Changing Bits**

The DW514 is designed for the DeWALT SDS bit system in sizes from 3/16" to 3/4" in diameter.

Unplug the unit from power source when inserting bits.

Insert the bit with a slight twist. The locking takes place automatically during drilling/hammer drilling.

To release bit, pull front end of chuck (Figure 4) and pull bit out.

### **Selector Switch (Fig 5)**

Your hammer has a Selector Switch to control the type of drilling or hammering action desired. To select Drilling Only, turn the hammer off and rotate the selector switch lever so that it aligns with the drill bit symbol.

To select Hammer Drilling Only, rotate the lever so that it aligns with the drill bit/hammer symbol.

**To select Hammering Only, rotate the lever so that it aligns with the hammer symbol.**

FIG. 3

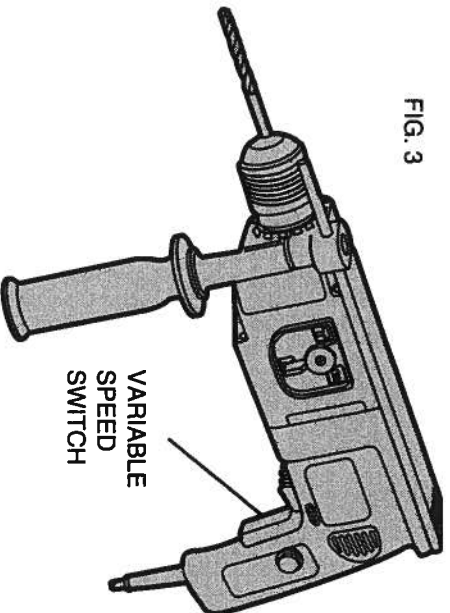


FIG. 4

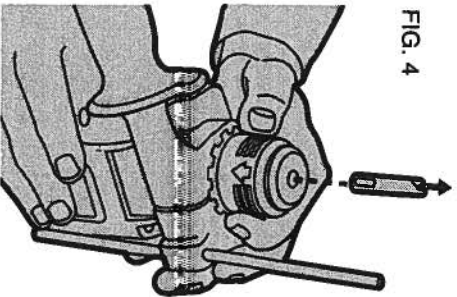
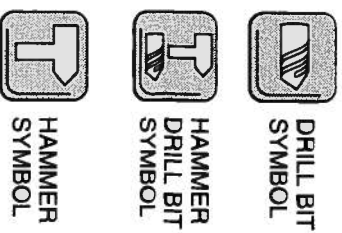


FIG. 5



## **Drilling Only**

Position Selector Switch in the "Drill" position. Drill as with any drill.

## **Hammer Drilling Only**

Position Selector Switch in the "Hammer Drill" position.

When drilling, use just enough force on the hammer to keep it from bouncing excessively or "rising" off the bit. Too much force will cause slower drilling speeds, overheating, and a lower drilling rate.

Drill straight, keeping the bit at a right angle to the work. Do not exert side pressure on the bit when drilling as this will cause clogging of the bit flutes and a slower drilling speed.

When drilling deep holes, if the hammer speed starts to drop off, pull the bit partially out of the hole with the tool still running to help clear debris from the hole.

Do not pour water into the hole to settle dust. Water causes clogging of bit flutes which will tend to make the bit bind in the hole.

## **Hammering Only**

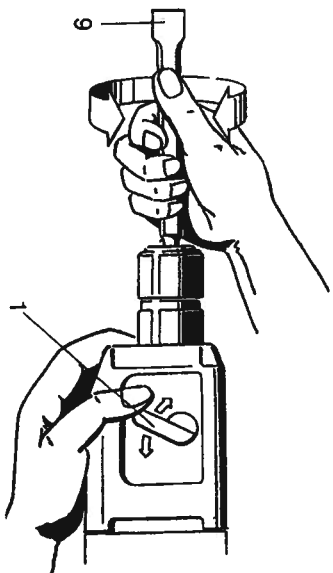
Select the "Hammer" position by aligning the Selector Switch with the hammer only symbol. In this position the rotating feature of the hammer is turned off and the hammer is ready for LIGHT chipping. Use a bull point or small chisel bit for chipping operations. Use for

**LIGHT chipping such as removing tile or light scale only.**

---

TO MOVE SELECTOR LEVER INTO CHIPPING MODE, IT MAY BE NECESSARY TO ROTATE THE BIT (#9) WHILE MOVING THE SELECTOR LEVER (#1) TO THE CHIPPING POSITION.

SEE DIAGRAM BELOW:



## **Maintenance**

Disconnect the tool from the power supply and periodically take the following maintenance action:

1. Clean any dirt build-up out of the air slots in the housing.
2. Check the condition of the power supply cord, plug and **extension cord. Repair at once if damaged.**
3. Your hammer has a maintenance feature called the "DeWALT Check Point System." When the tool requires motor brush replacement, it will shut down automatically. At this time the tool should be taken to a DeWALT Service Center for cleaning, re-greasing, and preventive maintenance.

**Accessories**

Recommended accessories for use with your tool are available at extra cost from you local DeWALT certified service center. A complete listing of service centers is included on the owner's registration card packed with your tool.

If you need assistance in locating any accessory, please contact DeWALT Industrial Tool Company, P.O. Box 158, 626 Hanover Pike, Hampstead, MD 21704 or call 1-800-4-DeWALT (1-800-433-9258). Recommended accessories for your hammer are shown in this manual.

**CAUTION:** The use of any other accessory might be hazardous.

1/2" DRILL CHUCK



Carbide Percussion Tips



REPLACEMENT CHUCK KEY



1/4" TAPER ADAPTER



DRIFT KEY



DRILL CHUCK ADAPTER



Carbide Percussion Bits	*1/4" TAPER BITS Use only With *1/4" Taper Adapter
Usable Bit Dia. Drilling Depth	Usable Bit Dia. Drilling Depth
3/16" 3	1/4" 4
1/4" 2	1/4" 6
1/4" 6	5/16" 4
5/16" 4	3/8" 4
3/8" 6	3/8" 6
3/8" 12	3/8" 12
7/16" 6	1/2" 6
1/2" 6	1/2" 12
1/2" 12	1/2" 18
9/16" 6	5/8" 6
5/8" 6	Bull Point
5/8" 12	Chisel Point
3/4" 12	

**Important**

To assure product SAFETY and RELIABILITY, repairs, maintenance and adjustment, (including brush inspection and replacement) should be performed by DeWALT certified service centers or other qualified service organizations.

These service organizations service DeWALT tools always using DeWALT replacement parts. Black & Decker (U.S.) Inc. Industrial tool service centers are certified for servicing DeWALT industrial tools.



### **Full Warranty**

DeWALT heavy duty industrial tools are warranted for one year from date of purchase. We will repair, without charge, any defects due to faulty materials or workmanship. Arrangements have been made with the Industrial Tool Division of Black & Decker (U.S.) Inc. to provide warranty repairs for DeWALT tools. Please return the complete unit, transportation prepaid, to any Black & Decker (U.S.) Inc. Industrial Service Center or Authorized Service Station listed under "Tools, Electric" in the Yellow Pages. This warranty does not apply to accessories or damage caused where repairs have been made or attempted by others. This warranty gives you specific legal rights and you may have other rights which vary from state to state.

In addition to the warranty, DeWALT tools are covered by our:

#### **30 DAY NO RISK SATISFACTION GUARANTEE**

If you are not completely satisfied with the performance of your DeWALT heavy duty industrial tool, simply return it to the participating seller within 30 days for a full refund. Please return the complete unit, transportation prepaid. Proof of purchase may be required.

Like most DeWALT products your tool is listed by Underwriters' Laboratories to ensure that it meets stringent safety requirements.

This symbol on the nameplate means the product is listed by Underwriters' Laboratories, Inc.



See 'Tools-Electric'  
– Yellow Pages –  
for Service & Sales



## **Other DeWALT Heavy Duty Industrial Tools Available From Your Local Dealer**

### **DW944K 9.6V Heavy Duty Versa-Clutch Cordless 3/8" Driver/Drill Kit with Keyless Chuck:**

High performance industrial Versa-Clutch cordless Driver/Drill has two variable speed ranges and reversing to perform well in a wide variety of metals and wood. The extremely versatile cordless Driver/Drill has 11 clutch settings, a keyless chuck and delivers more power and torque than any cordless drill in its class. Also available:

### **DW945K 12.0V Heavy Duty Versa-Clutch Cordless 3/8" Driver/Drill Kit with Keyless Chuck**

### **DW942R 7.2V Heavy Duty Cordless 3/8" VSR Drill**

### **DW360 Heavy Duty 7-1/4" Circular Saw with Electric Brake:**

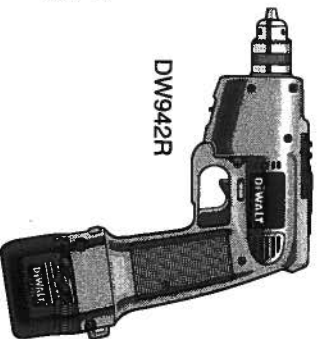
High performance industrial saw has a 13 amp rating and a 2 second electric brake. It has a 50 degree bevel capacity and steel helical gears to assure long term reliability. It delivers more watts out and more torque than other saws in its class.



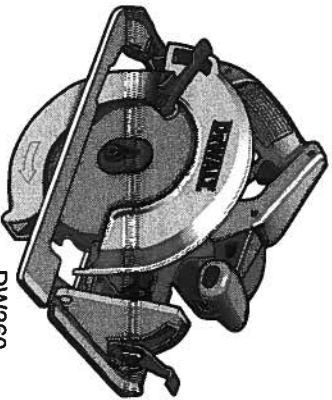
DW944K



DW945K



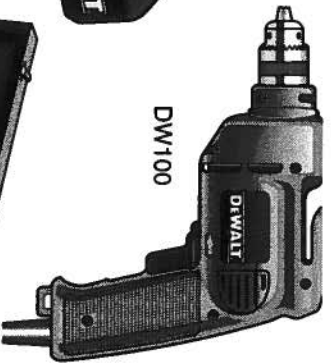
DW942R



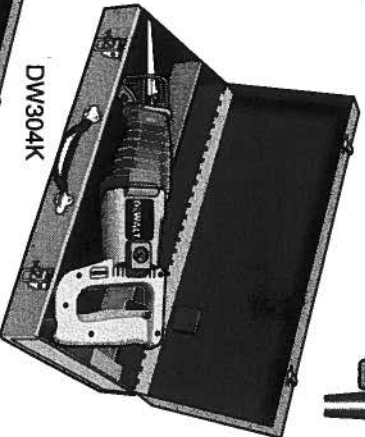
DW360



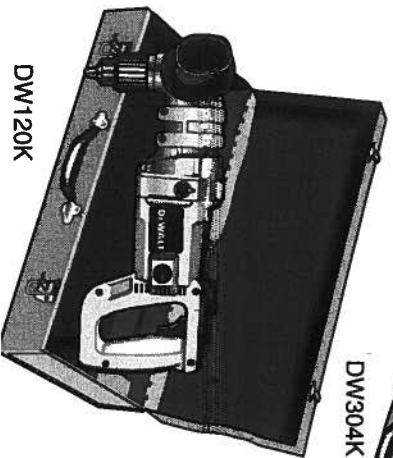
DW411



DW100



DW304K



DW120K

### **Utter DEWALT heavy duty industrial Tools Available From Your Local Dealer**

#### **DW100 Heavy Duty 3/8" VSR Drill:**

High performance industrial quality variable speed reversing drill is designed for long life in heavy-duty professional use. High speed (0-2500 RPM) and 4.0 amps enable the drill to perform well in a wide variety of metals, wood, masonry and composite materials. It also has a built-in 2-way bubble level for drilling accuracy.

#### **DW411 Heavy Duty 1/4 Sheet Palm Grip Sander:**

High performance industrial palm grip sander has efficient through-the-pad dust collection. Low vibration design delivers less than half the vibration of other palm sanders for greater comfort and durability. The sander gives fast and efficient material removal.

#### **DW304K Heavy Duty VS Reciprocating Saw Kit:**

High performance industrial reciprocating saw has low vibration design to reduce user fatigue. High power (6.0 amps and 1-1/8" stroke length) allows increased productivity. Lightweight and comfortable.

#### **DW120K Heavy Duty 1/2" Right Angle Drill Kit:**

High performance industrial right angle drill is reversing and has three speeds (400/600/900 RPM) for plumbing and electrical applications. Powerful 7.0 amp motor easily handles popular 2-9/16" self-feed bits.

DeWALT Industrial Tool Company, P.O. Box 158, 626 Hanover Pike, Hampstead, MD 21074 Printed in Italy Form No. 328519-00  
For information call toll free between 8:00 a.m. and 5:00 p.m., Monday through Friday 1-800-4-DeWALT (1-800-433-9258).