

If you have questions or comments, contact us.  
Pour toute question ou tout commentaire, nous contacter.  
Si tiene dudas o comentarios, contáctenos.

1-800-4-DEWALT • www.dewalt.com

INSTRUCTIVO DE OPERACIÓN, CENTROS DE SERVICIO Y PÓLIZA DE  
GARANÍA. **ADVERTENCIA:** LEÁSE ESTE INSTRUCTIVO ANTES DE  
USAR EL PRODUCTO.

INSTRUCTION MANUAL  
GUIDE D'UTILISATION  
MANUAL DE INSTRUCCIONES

# DEWALT®

DW660

Heavy-Duty Cut-Out Tool  
Outil à Découper à Service Intensif  
Recortadora industrial

DeWALT Industrial Tool Co., 701 East Joppa Road, Towson, MD 21286  
(MAR14) Part No. N384348 DW660 Copyright © 2000, 2004, 2014 DeWALT

The following are trademarks for one or more DeWALT power tools: the yellow and black color scheme, the "D" shaped air intake grill, the array of pyramids on the handgrip, the kit box configuration, and the array of lozenge-shaped humps on the surface of the tool.

### Definitions: Safety Guidelines

The definitions below describe the level of severity for each signal word. Please read the manual and pay attention to these symbols.

**▲ DANGER:** Indicates an imminently hazardous situation which, if not avoided, **will** result in **death or serious injury**.

**▲ WARNING:** Indicates a potentially hazardous situation which, if not avoided, **could** result in **death or serious injury**.

**▲ CAUTION:** Indicates a potentially hazardous situation which, if not avoided, **may** result in **minor or moderate injury**.

**NOTICE:** Indicates a practice **not related to personal injury** which, if not avoided, **may** result in **property damage**.

IF YOU HAVE ANY QUESTIONS OR COMMENTS ABOUT THIS OR ANY DEWALT TOOL, CALL US TOLL FREE AT: **1-800-4-DEWALT (1-800-433-9258)**.

**WARNING:** To reduce the risk of injury, read the instruction manual.

### General Power Tool Safety Warnings

**WARNING!** Read all safety warnings and all instructions. Failure to follow the warnings and instructions may result in electric shock, fire and/or serious injury.

### SAVE ALL WARNINGS AND INSTRUCTIONS FOR FUTURE REFERENCE

The term "power tool" in the warnings refers to your mains-operated (corded) power tool or battery-operated (cordless) power tool.

#### 1) WORK AREA SAFETY

- Keep work area clean and well lit.** Cluttered or dark areas invite accidents.
- Do not operate power tools in explosive atmospheres, such as in the presence of flammable liquids, gases or dust.** Power tools create sparks which may ignite the dust or fumes.
- Keep children and bystanders away while operating a power tool.** Distractions can cause you to lose control.

#### 2) ELECTRICAL SAFETY

- Power tool plugs must match the outlet. Never modify the plug in any way. Do not use any adapter plugs with earthed (grounded) power tools.** Unmodified plugs and matching outlets will reduce risk of electric shock.
- Avoid body contact with earthed or grounded surfaces such as pipes, radiators, ranges and refrigerators.** There is an increased risk of electric shock if your body is earthed or grounded.
- Do not expose power tools to rain or wet conditions.** Water entering a power tool will increase the risk of electric shock.
- Do not abuse the cord. Never use the cord for carrying, pulling or unplugging the power tool. Keep cord away from heat, oil, sharp edges or moving parts.** Damaged or entangled cords increase the risk of electric shock.
- When operating a power tool outdoors, use an extension cord suitable for outdoor use.** Use of a cord suitable for outdoor use reduces the risk of electric shock.
- If operating a power tool in a damp location is unavoidable, use a ground fault circuit interrupter (GFCI) protected supply.** Use of a GFCI reduces the risk of electric shock.

#### 3) PERSONAL SAFETY

- Stay alert, watch what you are doing and use common sense when operating a power tool. Do not use a power tool while you are tired or under the influence of drugs, alcohol or medication.** A moment of inattention while operating power tools may result in serious personal injury.

- Use personal protective equipment. Always wear eye protection.** Protective equipment such as dust mask, non-skid safety shoes, hard hat, or hearing protection used for appropriate conditions will reduce personal injuries.
- Prevent unintentional starting. Ensure the switch is in the off position before connecting to power source and/or battery pack, picking up or carrying the tool.** Carrying power tools with your finger on the switch or energizing power tools that have the switch on invites accidents.
- Remove any adjusting key or wrench before turning the power tool on.** A wrench or a key left attached to a rotating part of the power tool may result in personal injury.
- Do not overreach. Keep proper footing and balance at all times.** This enables better control of the power tool in unexpected situations.
- Dress properly. Do not wear loose clothing or jewelry. Keep your hair, clothing and gloves away from moving parts.** Loose clothes, jewelry or long hair can be caught in moving parts.
- If devices are provided for the connection of dust extraction and collection facilities, ensure these are connected and properly used.** Use of dust collection can reduce dust-related hazards.

#### 4) POWER TOOL USE AND CARE

- Do not force the power tool. Use the correct power tool for your application.** The correct power tool will do the job better and safer at the rate for which it was designed.
- Do not use the power tool if the switch does not turn it on and off.** Any power tool that cannot be controlled with the switch is dangerous and must be repaired.
- Disconnect the plug from the power source and/or the battery pack from the power tool before making any adjustments, changing accessories, or storing power tools.** Such preventive safety measures reduce the risk of starting the power tool accidentally.
- Store idle power tools out of the reach of children and do not allow persons unfamiliar with the power tool or these instructions to operate the power tool.** Power tools are dangerous in the hands of untrained users.
- Maintain power tools. Check for misalignment or binding of moving parts, breakage of parts and any other condition that may affect the power tool's operation. If damaged, have the power tool repaired before use.** Many accidents are caused by poorly maintained power tools.
- Keep cutting tools sharp and clean.** Properly maintained cutting tools with sharp cutting edges are less likely to bind and are easier to control.
- Use the power tool, accessories and tool bits, etc. in accordance with these instructions, taking into account the working conditions and the work to be performed.** Use of the power tool for operations different from those intended could result in a hazardous situation.

#### 5) SERVICE

- Have your power tool serviced by a qualified repair person using only identical replacement parts.** This will ensure that the safety of the power tool is maintained.

### Additional Specific Safety Instructions for Cut-Out Tools

- Hold power tool by insulated gripping surfaces, because the cutter may contact its own cord.** Cutting a "live" wire may make exposed metal parts of the tool "live" and shock the operator.
- Use clamps or another practical way to secure and support the workpiece to a stable platform.** Holding the work by your hand or against the body leaves it unstable and may lead to loss of control.
- Accessories must be rated for at least the speed recommended on the tool warning label.** Wheels and other accessories running over rated speed can fly apart and cause injury. Accessory ratings must always be above the tool speed as shown on tool nameplate.

**▲WARNING:** After changing bits or making any adjustments, make sure the collet nut is securely tightened to avoid injury.

**▲WARNING:** Do not press spindle lock or collet lock buttons while motor is running. The operator may lose control and drop the tool. Personal injury or serious tool damage may result.

**▲WARNING:** Shut off all live electric circuits to any areas where cut outs will be made, to avoid fire or serious personal injury.

**▲CAUTION:** Do not touch the bit or collet nut during or immediately after cutting material. The bit and collet nut may be hot enough to burn bare skin.

- Always wear eye protection.** Dust mask or hearing protection must be used for appropriate conditions. Using personal safety devices is recommended. WORK SAFE.
- Always operate the tool with the depth guide in place.** The guide keeps the bit from plunging too deeply through the material. A minimum of penetration should be maintained to eliminate the danger of cutting into electric wiring.
- Do not use this tool with drill or screwdriver bits.** This tool is not intended to be used as a drill or screwdriver.
- Be sure your cutting bits are sharp and in good condition.** Damaged bits can cause the tool to jump, injuring the operator.
- Be sure that the motor has stopped completely before you lay the cut-out tool down.** If the cutter head is still spinning when the tool is layed down, it could cause injury or damage.
- Be sure that the cutting bit is clear of the workpiece before starting motor.** If the bit is in contact with the workpiece when the motor starts it could make the tool jump, causing damage or injury.
- If your tool fails to function properly, take it to an authorized service center.** There are no user serviceable parts inside this tool and it should only be opened by trained service personnel.
- Air vents often cover moving parts and should be avoided.** Loose clothes, jewelry or long hair can be caught in moving parts.
- An extension cord must have adequate wire size (AWG or American Wire Gauge) for safety.** The smaller the gauge number of the wire, the greater the capacity of the cable, that is 16 gauge has more capacity than 18 gauge. An undersized cord will cause a drop in line voltage resulting in loss of power and overheating. When using more than one extension to make up the total length, be sure each individual extension contains at least the minimum wire size. The following table shows the correct size to use depending on cord length and nameplate ampere rating. If in doubt, use the next heavier gauge. The smaller the gauge number, the heavier the cord.

		Minimum Gauge for Cord Sets				
		Volts	Total Length of Cord in Feet (meters)			
Ampere Rating		120 V	25 (7.6)	50 (15.2)	100 (30.5)	150 (45.7)
		240 V	50 (15.2)	100 (30.5)	200 (61.0)	300 (91.4)
More Than	Not More Than	AWG				
0	6		18	16	16	14
6	10		18	16	14	12
10	12		16	16	14	12
12	16		14	12	Not Recommended	

**▲WARNING: ALWAYS** use safety glasses. Everyday eyeglasses are NOT safety glasses. Also use face or dust mask if cutting operation is dusty. ALWAYS WEAR CERTIFIED SAFETY EQUIPMENT:

- ANSI Z87.1 eye protection (CAN/CSA Z94.3),
- ANSI S12.6 (S3.19) hearing protection,
- NIOSH/OSHA/MSHA respiratory protection.

**▲WARNING:** Some dust created by power sanding, sawing, grinding, drilling, and other construction activities contains chemicals known to the State of California to cause cancer, birth defects or other reproductive harm. Some examples of these chemicals are:

- lead from lead-based paints,
- crystalline silica from bricks and cement and other masonry products, and
- arsenic and chromium from chemically-treated lumber.

Your risk from these exposures varies, depending on how often you do this type of work. To reduce your exposure to these chemicals: work in a well ventilated area, and work with approved safety equipment, such as those dust masks that are specially designed to filter out microscopic particles.

- Avoid prolonged contact with dust from power sanding, sawing, grinding, drilling, and other construction activities. Wear protective clothing and wash exposed areas with soap and water.** Allowing dust to get into your mouth, eyes, or lay on the skin may promote absorption of harmful chemicals.

**▲WARNING:** Use of this tool can generate and/or disperse dust, which may cause serious and permanent respiratory or other injury. Always use NIOSH/OSHA approved respiratory protection appropriate for the dust exposure. Direct particles away from face and body.



**⚠WARNING: Always wear proper personal hearing protection that conforms to ANSI S12.6 (S3.19) during use.** Under some conditions and duration of use, noise from this product may contribute to hearing loss.

The label on your tool may include the following symbols. The symbols and their definitions are as follows:

V.....volts	A.....amperes
Hz.....hertz	W.....watts
min .....minutes	~ or AC.....alternating current
== or DC.....direct current	⎓ or AC/DC.....alternating or direct current
Ⓛ.....Class I Construction (grounded)	n <sub>o</sub> .....no load speed
Ⓜ.....Class II Construction (double insulated)	n.....rated speed
.../min .....per minute	⊕.....earthing terminal
IPM.....impacts per minute	▲.....safety alert symbol
SPM.....strokes per minute	BPM.....beats per minute
	RPM.....revolutions per minute
	sfpm.....surface feet per minute

## SAVE THESE INSTRUCTIONS FOR FUTURE USE

### Motor

Be sure your power supply agrees with the nameplate marking. Voltage decrease of more than 10% will cause loss of power and overheating. DeWALT tools are factory tested; if this tool does not operate, check power supply.

### To Maintain Safe Tool Control

- **Make sure the work surface is free of nails or screws.** Cutting into a nail or screw may cause the tool to jump, damaging the bit.
- **Never operate the tool with one hand while holding the workpiece with the other hand.** Always clamp the material and guide the tool with both hands.
- **Do not cut material lying on a hard surface.** Clearance behind material to be cut must be allowed for protruding bit.
- **Disconnect plug from power supply before making adjustments, changing bits or cleaning tool.**
- **Do not start the tool with bit engaged in the material.** The bit may grab the material.

### Switch

To start the motor, slide the switch (A) to "I" position. To stop the motor, slide the switch to "O" position (Fig. 1).

### Installing and Removing the Bit (Fig. 2)

This tool is designed for spiral cutting bits with either a 1/8" (3 mm) or 1/4" (6 mm) shank and has a tool-free bit change system. To change bits, FIRST turn off the tool and disconnect from power supply. Remove the guide.

1. To replace bit, depress both spindle lock (C) and collet lock (B) and turn collet grip counter-clockwise.
2. Insert bit.

**⚠WARNING:** The bits are sharp and should be handled with great care.

**⚠CAUTION:** When replacing bits, do not insert cutting flutes into the collet. This may result in broken bits.

3. While depressing both spindle and collet locks, turn the collet grip clockwise to firmly tighten the collet. For some heavy duty applications, it may be necessary to use a wrench to further tighten the nut (D) while depressing the spindle lock (C).
4. Attach guide.

**⚠CAUTION:** Never tighten the collet without a bit installed.

This tool comes with both 1/8" (3 mm) and 1/4" (6 mm) collets. To change collets, remove the collet nut and insert the desired collet.

### Depth Guide (Fig. 3)

To attach depth guide to the motor unit, **TURN OFF TOOL AND DISCONNECT FROM POWER SUPPLY.**

Depth guide snaps onto locators as shown. Keep depth guide in place at all times during operation of the tool. For best results, adjust the guide using knob (E) to allow the bit to protrude about 1/8" (3 mm) past the material to be cut.

### Side Handle DW6619 (Fig. 4)

When operating the tool, use the side handle for optimum control. To attach the side handle to the motor unit, **TURN OFF TOOL AND DISCONNECT FROM POWER SUPPLY.**

1. Remove depth guide.
2. Loosen knob (F) until the collar of the tool is able to fit into the strap (G) of the side handle.
3. Align the locator on the tool with the locator on the side handle. (Detail) Tighten knob (F).
4. Snap the depth guide over the side handle strap (G) from the opposite side. Keep the depth guide in place at all times during operation of the tool.
5. For best results, adjust the guide using knob (E) to allow the bit to protrude about 1/8" (3 mm) through the material to be cut.
6. To remove the side handle, remove the depth guide, loosen the knob (F) until the tool can come off the locator and slip out of the strap (G).
7. Reattach the depth guide.

### Circle Cutter DW6621 (Fig. 5)

To attach the circle cutter to the motor unit, **TURN OFF THE TOOL AND DISCONNECT FROM POWER SUPPLY.**

1. Remove the depth guide.
2. Loosen knob (H) until the collar of the tool is able to fit into the strap (J) of the circle cutter.
3. Align the locator on the tool with the locator on the circle cutter. (Detail) Tighten knob (H).
4. Disassemble the depth guide collar. Snap the upper half (M) onto the strap (J).
5. Loosen knob (L) and extend circle cutter frame to the limit of travel.
6. Insert knob (E) through the frame (N).
7. Set depth of cut for your material and tighten knobs (E) and (L).
8. Measure to the center of the circle you wish to cut and adjust the length of the guide to that radius.
9. Tighten the knob (O) holding the centerpoint in position.
10. Drill a 5/32" (4 mm) hole in the material to be cut at the center of the radius.
11. Plug in the tool, start the motor and allow the tool to spin up to speed.
12. Position the center point into the hole and plunge the cutter into the material.
13. With firm pressure, hold the center point in place and move the cutter counterclockwise around to the finish.

**⚠CAUTION:** At the finish of the circle, the material may drop out. Hold the tool with both hands to maintain control.

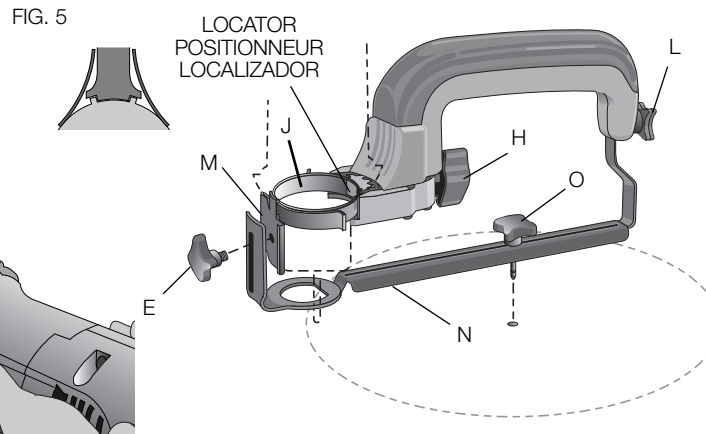
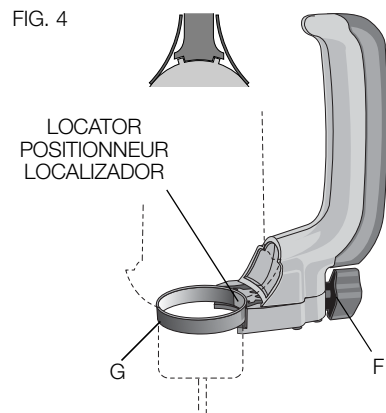
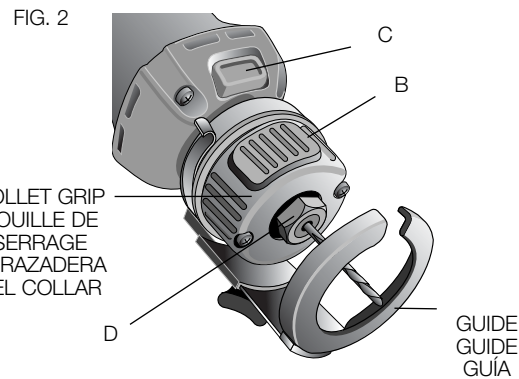
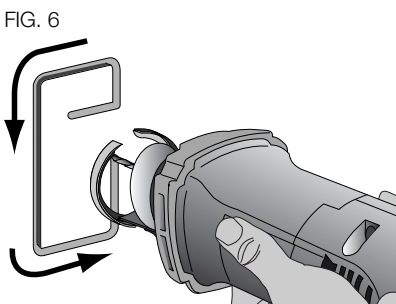
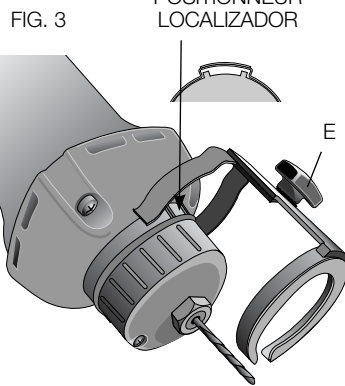
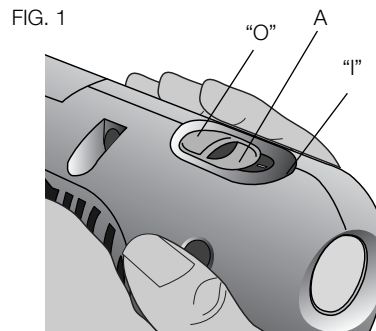
14. To remove the circle cutter, loosen knob (H) until the tool can come off the locator and slip out of the strap (J).
15. Reassemble the depth guide and reattach.

## OPERATION

### CUTTING A HOLE FOR AN ELECTRICAL OUTLET (FIG. 6)

**⚠WARNING:** Shut off all live electric circuits to any areas where cut outs will be made.

1. Push any wiring deeply into the outlet box to avoid damage from the cutting bit.
2. Before hanging the sheet covering the outlet, mark the approximate location of the center of the outlet on the wall board. Check the cutting bit depth against the side of the board to be sure it will cut entirely through the material.
3. Tack the sheet in place with a few fasteners avoiding the stud holding the outlet. This allows the wall board to flex slightly around the protruding fixture box.
4. Turn the cut-out tool on. Holding the tool firmly with both hands, (Fig. 6) plunge the bit straight into the center of the outlet.
5. Cut to the right until the edge of the box is touched. Pull out just enough for the bit to clear the edge of the box. Plunge in again holding the bit gently against the outside of the box.
6. Follow the outside of the box as shown keeping slight pressure against the box. This will minimize wandering and give you a clean precise cut.
7. Remove the waste and dust from the outlet. Finish fastening the sheet of wall board.



## MAINTENANCE

**⚠WARNING:** To reduce the risk of injury, turn unit off and disconnect it from power source before installing and removing accessories, before adjusting or when making repairs. An accidental start-up can cause injury.

### Lubrication

All bearings are factory lubricated for the life of the tool.

### Cleaning

**⚠WARNING:** Blow dirt and dust out of all air vents with clean, dry air at least once a week. To minimize the risk of eye injury, always wear ANSI Z87.1 approved eye protection when performing this.

**⚠WARNING:** Never use solvents or other harsh chemicals for cleaning the non-metallic parts of the tool. These chemicals may weaken the plastic materials used in these parts. Use a cloth dampened only with water and mild soap. Never let any liquid get inside the tool; never immerse any part of the tool into a liquid.

### Accessories

**⚠WARNING:** Since accessories, other than those offered by DeWALT, have not been tested with this product, use of such accessories with this tool could be hazardous. To reduce the risk of injury, only DeWALT recommended accessories should be used with this product.

Recommended accessories for use with your tool are available at extra cost from your local dealer or authorized service center. If you need assistance in locating any accessory, please contact DeWALT Industrial Tool Co., 701 East Joppa Road, Towson, MD 21286, call 1-800-4-DeWALT (1-800-433-9258) or visit our website: [www.dewalt.com](http://www.dewalt.com).

### Repairs

To assure product SAFETY and RELIABILITY, repairs, maintenance and adjustment (including brush inspection and replacement) should be performed by a DeWALT factory service center, a DeWALT authorized service center or other qualified service personnel. Always use identical replacement parts.

### Register Online

Thank you for your purchase. Register your product now for:

- **WARRANTY SERVICE:** Registering your product will help you obtain more efficient warranty service in case there is a problem with your product.
- **CONFIRMATION OF OWNERSHIP:** In case of an insurance loss, such as fire, flood or theft, your registration of ownership will serve as your proof of purchase.
- **FOR YOUR SAFETY:** Registering your product will allow us to contact you in the unlikely event a safety notification is required under the Federal Consumer Safety Act.

Register online at [www.dewalt.com/register](http://www.dewalt.com/register).

### Three Year Limited Warranty

DeWALT will repair, without charge, any defects due to faulty materials or workmanship for three years from the date of purchase. This warranty does not cover part failure due to normal wear or tool abuse. For further detail of warranty coverage and warranty repair information, visit [www.dewalt.com](http://www.dewalt.com) or call 1-800-4-DeWALT (1-800-433-9258). This warranty does not apply to accessories or damage caused where repairs have been made or attempted by others. This warranty gives you specific legal rights and you may have other rights which vary in certain states or provinces.

In addition to the warranty, DeWALT tools are covered by our:

#### 1 YEAR FREE SERVICE

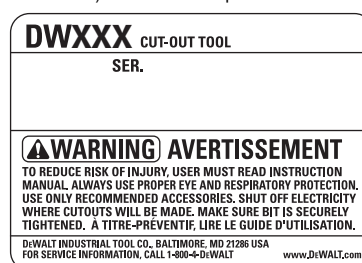
DeWALT will maintain the tool and replace worn parts caused by normal use, for free, any time during the first year after purchase.

#### 90 DAY MONEY BACK GUARANTEE

If you are not completely satisfied with the performance of your DeWALT Power Tool, Laser, or Nailer for any reason, you can return it within 90 days from the date of purchase with a receipt for a full refund – no questions asked.

**LATIN AMERICA:** This warranty does not apply to products sold in Latin America. For products sold in Latin America, see country specific warranty information contained in the packaging, call the local company or see website for warranty information.

**FREE WARNING LABEL REPLACEMENT:** If your warning labels become illegible or are missing, call 1-800-4-DeWALT (1-800-433-9258) for a free replacement.





## Définitions : lignes directrices en matière de sécurité

Les définitions ci-dessous décrivent le niveau de danger pour chaque mot-indicateur employé. Lire le mode d'emploi et porter une attention particulière à ces symboles.

**▲ DANGER** : indique une situation dangereuse imminente qui, si elle n'est pas évitée, entraînera la mort ou des blessures graves.

**▲ AVERTISSEMENT** : indique une situation potentiellement dangereuse qui, si elle n'est pas évitée, pourrait entraîner la mort ou des blessures graves.

**▲ ATTENTION** : indique une situation potentiellement dangereuse qui, si elle n'est pas évitée, pourrait entraîner des blessures légères ou modérées.

**AVIS** : indique une pratique ne posant aucun risque de dommages corporels mais qui par contre, si rien n'est fait pour l'éviter, pourrait poser des risques de dommages matériels.

POUR TOUTE QUESTION OU REMARQUE AU SUJET DE CET OUTIL OU DE TOUT AUTRE OUTIL DEWALT, COMPOSEZ LE NUMÉRO SANS FRAIS : 1-800-4-DEWALT (1-800-433-9258).



**AVERTISSEMENT** : afin de réduire le risque de blessures, lire le mode d'emploi de l'outil.

## Avertissements de sécurité généraux pour les outils électriques



**AVERTISSEMENT ! Lire tous les avertissements de sécurité et toutes les directives.** Le non-respect des avertissements et des directives pourrait se solder par un choc électrique, un incendie et/ou une blessure grave.

## CONSERVER TOUS LES AVERTISSEMENTS ET TOUTES LES DIRECTIVES POUR UN USAGE ULTÉRIEUR

Le terme « outil électrique » cité dans les avertissements se rapporte à votre outil électrique à alimentation sur secteur (avec fil) ou par piles (sans fil).

### 1) SÉCURITÉ DU LIEU DE TRAVAIL

- Tenir l'aire de travail propre et bien éclairée.** Les lieux encombrés ou sombres sont propices aux accidents.
- Ne pas faire fonctionner d'outils électriques dans un milieu déflagrant, tel qu'en présence de liquides, de gaz ou de poussières inflammables.** Les outils électriques produisent des étincelles qui pourraient enflammer la poussière ou les vapeurs.
- Éloigner les enfants et les personnes à proximité pendant l'utilisation d'un outil électrique.** Une distraction pourrait en faire perdre la maîtrise à l'utilisateur.

### 2) SÉCURITÉ EN MATIÈRE D'ÉLECTRICITÉ

- Les fiches des outils électriques doivent correspondre à la prise. Ne jamais modifier la fiche d'aucune façon. Ne jamais utiliser de fiche d'adaptation avec un outil électrique mis à la terre.** Le risque de choc électrique sera réduit par l'utilisation de fiches non modifiées correspondant à la prise.
- Éviter tout contact physique avec des surfaces mises à la terre comme des tuyaux, des radiateurs, des cuisinières et des réfrigérateurs.** Le risque de choc électrique est plus élevé si votre corps est mis à la terre.
- Ne pas exposer les outils électriques à la pluie ou à l'humidité.** La pénétration de l'eau dans un outil électrique augmente le risque de choc électrique.
- Ne pas utiliser le cordon de façon abusive. Ne jamais utiliser le cordon pour transporter, tirer ou débrancher un outil électrique. Tenir le cordon éloigné de la chaleur, de l'huile, des bords tranchants et des pièces mobiles.** Les cordons endommagés ou enchevêtrés augmentent les risques de choc électrique.
- Pour l'utilisation d'un outil électrique à l'extérieur, se servir d'une rallonge convenant à cette application.** L'utilisation d'une rallonge conçue pour l'extérieur réduira les risques de choc électrique.
- S'il est impossible d'éviter l'utilisation d'un outil électrique dans un endroit humide, brancher l'outil dans une prise ou sur un circuit d'alimentation dotés d'un disjoncteur de fuite à la terre (GFCI).** L'utilisation de ce type de disjoncteur réduit les risques de choc électrique.

### 3) SÉCURITÉ PERSONNELLE

- Être vigilant, surveiller le travail effectué et faire preuve de jugement lorsqu'un outil électrique est utilisé. Ne pas utiliser d'outil électrique en cas de fatigue ou sous l'influence de drogues, d'alcool ou de médicaments.** Un simple moment d'inattention en utilisant un outil électrique peut entraîner des blessures corporelles graves.
- Utiliser des équipements de protection individuelle. Toujours porter une protection oculaire.** L'utilisation d'équipements de protection comme un masque antipoussière, des chaussures antidérapantes, un casque de sécurité ou des protecteurs auditifs lorsque la situation le requiert réduira les risques de blessures corporelles.
- Empêcher les démarrages intempestifs. S'assurer que l'interrupteur se trouve à la position d'arrêt avant de relier l'outil à une source d'alimentation et/ou d'insérer un bloc-piles, de ramasser ou de transporter l'outil.** Transporter un outil électrique alors que le doigt repose sur l'interrupteur ou brancher un outil électrique dont l'interrupteur est à la position de marche risque de provoquer un accident.
- Retirer toute clé de réglage ou clé avant de démarrer l'outil.** Une clé ou une clé de réglage attachée à une partie pivotante de l'outil électrique peut provoquer des blessures corporelles.
- Ne pas trop tendre les bras. Conserver son équilibre en tout temps.** Cela permet de mieux maîtriser l'outil électrique dans les situations imprévues.
- S'habiller de manière appropriée. Ne pas porter de vêtements amples ni de bijoux. Garder les cheveux, les vêtements et les gants à l'écart des pièces mobiles.** Les vêtements amples, les bijoux ou les cheveux longs risquent de rester coincés dans les pièces mobiles.
- Si des composants sont fournis pour le raccordement de dispositifs de dépoussiérage et de ramassage, s'assurer que ceux-ci sont bien raccordés et utilisés.** L'utilisation d'un dispositif de dépoussiérage peut réduire les dangers engendrés par les poussières.

### 4) UTILISATION ET ENTRETIEN D'UN OUTIL ÉLECTRIQUE

- Ne pas forcer un outil électrique. Utiliser l'outil électrique approprié à l'application.** L'outil électrique approprié effectuera un meilleur travail, de façon plus sûre et à la vitesse pour laquelle il a été conçu.
- Ne pas utiliser un outil électrique dont l'interrupteur est défectueux.** Tout outil électrique dont l'interrupteur est défectueux est dangereux et doit être réparé.
- Débrancher la fiche de la source d'alimentation et/ou du bloc-piles de l'outil électrique avant de faire tout réglage ou changement d'accessoire ou avant de ranger l'outil.** Ces mesures préventives réduisent les risques de démarrage accidentel de l'outil électrique.
- Ranger les outils électriques hors de la portée des enfants et ne permettre à aucune personne n'étant pas familière avec un outil électrique ou son mode d'emploi d'utiliser cet outil.** Les outils électriques deviennent dangereux entre les mains d'utilisateurs inexpérimentés.
- Entretien des outils électriques. Vérifier si les pièces mobiles sont mal alignées ou coincées, si des pièces sont brisées ou présentent toute autre condition susceptible de nuire au bon fonctionnement de l'outil électrique. En cas de dommage, faire réparer l'outil électrique avant toute nouvelle utilisation.** Beaucoup d'accidents sont causés par des outils électriques mal entretenus.
- S'assurer que les outils de coupe sont aiguisés et propres.** Les outils de coupe bien entretenus et affûtés sont moins susceptibles de se coincer et sont plus faciles à maîtriser.
- Utiliser l'outil électrique, les accessoires, les forets, etc. conformément aux présentes directives en tenant compte des conditions de travail et du travail à effectuer.** L'utilisation d'un outil électrique pour toute opération autre que celle pour laquelle il a été conçu est dangereuse.

### 5) RÉPARATION

- Faire réparer l'outil électrique par un réparateur professionnel en n'utilisant que des pièces de rechange identiques.** Cela permettra de maintenir une utilisation sécuritaire de l'outil électrique.

## Règles de sécurité additionnelles concernant l'outil à découper

- Tenir l'outil électrique par ses parties isolées car l'organe de coupe pourrait entrer en contact avec son cordon.** Couper un fil sous tension met les parties métalliques exposées de l'outil électrique sous tension et électrocute l'utilisateur.
- Utilisez des serres de fixation ou un autre dispositif de fixation permettant de soutenir et de retenir la pièce sur une plate-forme stable.** Tenir la pièce avec la main ou contre son corps n'est pas suffisamment stable et risque de provoquer une perte de maîtrise de l'outil.
- La vitesse nominale des accessoires doit être équivalente ou supérieure à celle recommandée sur l'étiquette d'avertissement de l'outil.** Une meule ou tout autre accessoire tournant à une vitesse supérieure à sa vitesse nominale peut se désintégrer et poser des risques de dommages corporels. L'intensité nominale des accessoires utilisés doit être supérieure à la vitesse minimum des outils, indiquée sur la plaque signalétique.

**▲ AVERTISSEMENT** : après avoir changé une mèche ou avoir fait quelque réglage que ce soit, s'assurer que l'écrou de la douille de serrage soit bien serré.

**▲ AVERTISSEMENT** : ne pas appuyer sur les boutons de verrouillage de la broche et de la douille de serrage lorsque le moteur est en marche; l'utilisateur pourrait perdre la maîtrise de l'outil et l'échapper, risquant ainsi de subir des blessures ou d'endommager gravement l'outil.

**▲ AVERTISSEMENT** : couper le courant de tous les circuits électriques situés à proximité de la zone où on prévoit effectuer des découpes.

**▲ MISE EN GARDE** : ne pas toucher à la mèche ni à l'écrou de la douille de serrage pendant l'utilisation de l'outil ni immédiatement après; ces pièces peuvent être suffisamment chaudes pour causer des brûlures sur la peau.

- Toujours porter des lunettes de protection; on recommande à l'utilisateur de porter les dispositifs de sécurité appropriés, comme un protecteur auditif ou un masque anti-poussières, si la situation le requiert afin QU'IL PUISSE TRAVAILLER EN TOUTE SÉCURITÉ.**

- On doit toujours s'assurer que le guide de profondeur soit en place avant d'utiliser l'outil; ce dispositif empêche la mèche de trop s'enfoncer dans l'ouvrage, éliminant les risques d'entrer en contact avec un fil électrique.**

- Ne pas utiliser l'outil avec des mèches pour perceuses ou tournevis; l'outil n'est pas conçu pour cet usage.**

- Toujours s'assurer que les mèches soient bien aiguisées et en bon état; une mèche endommagée pourrait faire sauter l'outil et causer des blessures.**

- Attendre que le moteur s'arrête complètement avant de déposer l'outil à découper.** Si l'arête tranchante tourne encore lorsqu'on dépose l'outil, on risque de causer des dommages ou des blessures.

- S'assurer que la mèche n'est pas en contact avec la pièce avant de démarrer le moteur, afin d'éviter de faire bondir l'outil et de causer des dommages ou des blessures.**

- Cet outil ne contient aucune pièce pouvant être réparée par l'utilisateur.** Si l'outil ne fonctionne pas correctement, on doit l'emporter à un centre de service DeWALT qualifié afin qu'il puisse y être réparé.

- Prendre des précautions à proximité des événements, car ils cachent des pièces mobiles.** Vêtements amples, bijoux ou cheveux longs risquent de rester coincés dans ces pièces mobiles.

- Pour la sécurité de l'utilisateur, utiliser une rallonge de calibre adéquat (AWG, American Wire Gauge [calibrage américain normalisé des fils électriques]).** Plus le calibre est petit, et plus sa capacité est grande. Un calibre 16, par exemple, a une capacité supérieure à un calibre 18. L'usage d'une rallonge de calibre insuffisant causera une chute de tension qui entraînera perte de puissance et surchauffe. Si plus d'une rallonge est utilisée pour obtenir une certaine longueur, s'assurer que chaque rallonge présente au moins le calibre de fil minimum. Le tableau ci-dessous illustre les calibres à utiliser selon la longueur de rallonge et l'intensité nominale indiquée sur la plaque signalétique. En cas de doute, utiliser le calibre suivant. Plus le calibre est petit, plus la rallonge peut supporter de courant.

Calibres minimaux des rallonges						
Intensité (en ampères)	volts		Longueur totale de cordon en mètres (pieds)			
	120 V	240 V	7,6 (25)	15,2 (50)	30,5 (100)	45,7 (150)
			15,2 (50)	30,5 (100)	61,0 (200)	91,4 (300)
Supérieur à	Inférieur à	AWG				
0	6	18	16	16	14	
6	10	18	16	14	12	
10	12	16	16	14	12	
12	16	14	12	Non recommandé		

**▲ AVERTISSEMENT** : porter **SYSTEMATIQUEMENT** des lunettes de protection. Les lunettes courantes NE sont PAS des lunettes de protection. Utiliser aussi un masque antipoussières si la découpe doit en produire beaucoup. PORTER SYSTEMATIQUEMENT UN ÉQUIPEMENT DE SÉCURITÉ HOMOLOGUÉ :

- Protection oculaire ANSI Z87.1 (CAN/CSA Z94.3) ;
- Protection auditive ANSI S12.6 (S3.19) ;
- Protection des voies respiratoires NIOSH/OSHA/MSHA.

**▲ AVERTISSEMENT** : les scies, meules, perceuses, perceuses ou autres outils de construction peuvent produire des poussières contenant des produits chimiques reconnus par l'État californien pour causer cancers, malformations congénitales ou être nocifs au système reproducteur. Parmi ces produits chimiques, on retrouve :

- Le plomb dans les peintures à base de plomb ;
- La silice cristallisée dans les briques et le ciment, ou autres produits de maçonnerie ; et
- L'arsenic et le chrome dans le bois ayant subi un traitement chimique.

Le risque associé à de telles expositions varie selon la fréquence à laquelle on effectue ces travaux. Pour réduire toute exposition à ces produits : travailler dans un endroit bien aéré, en utilisant du matériel de sécurité homologué, tel un masque antipoussières spécialement conçu pour filtrer les particules microscopiques.

- Limitier toute exposition prolongée avec les poussières provenant du ponçage, sciage, meulage, perçage ou toute autre activité de construction. Porter des vêtements de protection et nettoyer à l'eau savonneuse les parties du corps exposées.** Le fait de laisser la poussière pénétrer dans la bouche, les yeux ou la peau peut favoriser l'absorption de produits chimiques dangereux.

**▲ AVERTISSEMENT** : cet outil peut produire et/ou répandre de la poussière susceptible de causer des dommages sérieux et permanents au système respiratoire. Utiliser systématiquement un appareil de protection des voies respiratoires homologué par le NIOSH ou l'OSHA. Diriger les particules dans le sens opposé au visage et au corps.

**▲ AVERTISSEMENT** : pendant l'utilisation, porter systématiquement une protection auditive individuelle adéquate homologuée ANSI S12.6 (S3.19). Sous certaines conditions et suivant la durée d'utilisation, le bruit émanant de ce produit pourrait contribuer à une perte de l'acuité auditive.

- L'étiquette apposée sur votre outil peut inclure les symboles suivants. Les symboles et leur définition sont indiqués ci-après :

V.....	volts	A.....	ampères
W.....	watts	W.....	watts
~ ou AC.....	courant alternatif	~ ou AC.....	courant alternatif
⚡ ou AC/DC...	courant alternatif ou continu	⚡ ou AC/DC...	courant alternatif ou continu
n <sub>o</sub> .....	vitesse à vide	n <sub>o</sub> .....	vitesse à vide
n.....	vitesse nominale	n.....	vitesse nominale
⊕.....	borne de terre	⊕.....	borne de terre
▲.....	symbole d'avertissement	▲.....	symbole d'avertissement
BPM.....	battements par minute	BPM.....	battements par minute
r/min.....	tours par minute	r/min.....	tours par minute
SPM (FPM)....	fréquence par minute	SPM (FPM)....	fréquence par minute

## CONSERVER CES CONSIGNES POUR UTILISATION ULTÉRIEURE

### Moteur

S'assurer que le bloc d'alimentation est compatible avec l'inscription de la plaque signalétique. Une diminution de tension de plus de 10 % provoquera une perte de puissance et une surchauffe. Les outils DeWALT sont testés en usine ; si cet outil ne fonctionne pas, vérifier l'alimentation électrique.



## Pour maintenir le contrôle de l'outil

- S'assurer que la surface de travail soit exempte de clou ou de vis; si l'outil passe sur une ferrure de ce genre, cela pourrait le faire sauter et endommager la mèche.**
- Ne jamais tenir l'outil d'une main et l'ouvrage de l'autre; l'ouvrage doit être maintenu au moyen de dispositifs de serrage permettant ainsi de guider l'outil des deux mains.** S'assurer de toujours garder la maîtrise de l'outil.
- Ne jamais couper un ouvrage lorsque ce dernier est appuyé contre une surface rigide; on doit prévoir derrière l'ouvrage un espace suffisamment grand pour permettre à la mèche de sortir librement.**
- Toujours débrancher la fiche de l'outil avant d'effectuer un réglage, de changer une mèche ou de nettoyer l'outil.**
- Ne jamais faire démarrer l'outil lorsque la mèche est déjà engagée dans un ouvrage; celle-ci pourrait mordre dans le matériau et provoquer la perte de maîtrise de l'outil.**

### Interrupteur

Pour faire démarrer le moteur, faire glisser l'interrupteur (A) à la position «I» et pour l'arrêter, à la position «O» (fig.1).

### Installation et Retrait des Mèches (fig. 2)

Cet outil a été conçu pour des fraises hélicoïdales munies de tiges de 3 mm (1/8 po) ou 6 mm (1/4 po) et est équipé d'un système de changement de fraise ne nécessitant aucun outil. AVANT de procéder, arrêter et débrancher l'outil, puis retirer le guide.

- Pour installer une mèche, enfoncer le bouton de verrouillage de la broche (C) et celui de la douille de serrage (B), puis tourner la douille de serrage vers la gauche.
- Insérer la mèche.

**⚠AVERTISSEMENT :** *les mèches sont coupantes et doivent donc être manipulées avec soin.*

**⚠MISE EN GARDE :** *s'assurer de ne pas insérer les cannelures tranchantes de la mèche dans la douille de serrage; cela pourrait briser la mèche.*

- Les boutons de verrouillage de la broche et de la douille de serrage étant toujours enfoncés, tourner la douille vers la droite afin de bien la serrer. Pour les gros travaux, il peut s'avérer nécessaire d'utiliser une clé pour serrer l'écrou (D). Pour ce faire, on doit maintenir enfoncé le bouton de verrouillage de la broche (C).
- Fixer le guide

**⚠MISE EN GARDE :** *ne jamais serrer la douille sans y avoir d'abord inséré une mèche.*

Cet outil est fourni avec deux douilles de serrage, soit une de 3,2 mm (1/8 po) et une de 6,4 mm (1/4 po). Pour remplacer la douille de l'outil, retirer d'abord l'écrou qui la retient puis installer la douille voulue.

### Guide de profondeur (fig. 3)

Pour fixer le guide de profondeur au bloc moteur, arrêter **ET DÉBRANCHER L'OUTIL AVANT DE PROCÉDER.**

Le guide s'enclenche sur les positionneurs (voir l'illustration). Le guide doit toujours rester fixé sur l'outil lorsqu'on utilise ce dernier. Pour obtenir de meilleurs résultats, régler le guide au moyen du bouton prévu à cet effet (E), de manière à laisser dépasser la mèche d'environ 3 mm (1/8 po) derrière l'ouvrage.

### Poignée latérale, modèle DW6619 (fig. 4)

Lorsqu'on utilise l'outil, le tenir au moyen de la poignée latérale afin de bien le maîtriser. Pour fixer la poignée au bloc moteur, **ARRÊTER L'OUTIL ET LE DÉBRANCHER DE LA SOURCE D'ALIMENTATION ÉLECTRIQUE.**

- Retirer le guide de profondeur.
- Desserrer le bouton (F) afin de pouvoir insérer le collier de l'outil dans la courroie (G) de la poignée latérale.
- Aligner le positionneur de l'outil avec celui de la poignée latérale. (Détail) Serrer le bouton (F).
- Enclencher le guide de profondeur par-dessus la courroie de la poignée latérale (G), à partir du côté opposé. Maintenir le guide de profondeur en place en tout temps durant le fonctionnement de l'outil.
- Pour obtenir de meilleurs résultats, régler le guide au moyen du bouton (E) pour sortir la mèche d'environ 3 mm (1/8 po) du matériau à couper.
- Pour retirer la poignée latérale, enlever le guide de profondeur, desserrer le bouton (F) afin de détacher l'outil du positionneur et la glisser hors de la courroie (G).
- Fixer à nouveau le guide de profondeur.

### Coupe-cercle, modèle DW6621 (fig. 5)

Pour fixer le coupe-cercle au bloc moteur, **ARRÊTER L'OUTIL ET LE DÉBRANCHER DE LA SOURCE D'ALIMENTATION ÉLECTRIQUE.**

- Retirer le guide de profondeur.
- Desserrer le bouton (H) afin de pouvoir insérer le collier de l'outil dans la courroie (J) du coupe-cercle.
- Aligner le positionneur de l'outil avec celui du coupe-cercle. (Détail) Serrer le bouton (H).
- Démonter le collier du guide de profondeur, puis enclencher la partir supérieure (M) sur la courroie (J).
- Desserrer le bouton (L) et sortir le bâti du coupe-cercle jusqu'à sa fin de course.
- Insérer le bouton (E) à travers le bâti (N).
- Régler la profondeur de coupe voulue, puis serrer les boutons (E) et (L).
- Mesurer jusqu'au centre du cercle à découper, puis régler la longueur du guide jusqu'au rayon obtenu.
- Serrer le bouton (O) qui retient la pointe de centrage en place.
- Percer un orifice de 4 mm (5/32 po) dans le matériau à couper, au centre du rayon.
- Brancher l'outil, démarrer le moteur et attendre qu'il atteigne sa vitesse maximale.
- Positionner la pointe de centrage dans l'orifice et amorcer la coupe.
- En exerçant une pression ferme, maintenir la pointe de centrage en place et déplacer le coupe-cercle vers la gauche, jusqu'à ce que la coupe soit terminée.
- ⚠MISE EN GARDE :** *une fois la coupe terminée, le matériau peut se détacher; tenir l'outil des deux mains afin de bien le maîtriser.*
- Pour retirer le coupe-cercle, desserrer le bouton (H) afin de détacher l'outil du positionneur, puis le glisser hors de la courroie (J).
- Assembler et fixer à nouveau le guide de profondeur.

## FONCTIONNEMENT

#### DÉCOUPE D'UN TROU POUR UNE PRISE ÉLECTRIQUE (FIG. 6)

**⚠AVERTISSEMENT :** *couper le courant de tous les circuits électriques situés à proximité de la zone où on prévoit effectuer une découpe.*

- Pousser les fils électriques au fond de la boîte à prises afin d'éviter de les endommager, le cas échéant.
- Avant d'installer la plaque de plâtre sur la boîte à prises, indiquer l'emplacement approximatif du centre de la boîte sur la plaque. Vérifier l'épaisseur du matériau afin de s'assurer que la mèche utilisée soit suffisamment longue pour le traverser complètement.
- Fixer la plaque au moyen de quelques attaches, en prenant soin d'éviter le goujon retenant la boîte à prises, afin de permettre à la plaque de plâtre de fléchir légèrement autour de la boîte en saillie.
- Mettre l'outil en marche puis, en le tenant fermement des deux mains (fig. 4), enfoncer la mèche directement au centre de la boîte à prises.
- Diriger la mèche vers la droite, jusqu'à ce qu'elle atteigne le côté de la boîte; retirer la mèche suffisamment pour passer par dessus la boîte, puis l'enfoncer de nouveau dans le matériau en l'acotant légèrement sur l'extérieur de la boîte.
- Suivre le contour de la boîte, tel qu'illustré, en exerçant une légère pression contre celle-ci afin d'éviter de faire dévier l'outil et de s'assurer d'obtenir une coupe précise.
- Retirer les retailles et la poussière de la boîte. Fixer la plaque de plâtre de façon définitive.

## MAINTENANCE

**⚠AVERTISSEMENT :** *pour réduire le risque de blessures, éteindre l'appareil et le débrancher avant d'installer ou de retirer tout accessoire et avant d'effectuer des réglages ou des réparations. Un démarrage accidentel peut provoquer des blessures.*

## Lubrification

Tous les roulements ont été lubrifiés en usine pour la durée de vie de l'outil.

## Nettoyage

**⚠AVERTISSEMENT :** *enlever les saletés et la poussière hors des événements au moyen d'air comprimé propre et sec, au moins une fois par semaine. Pour minimiser le risque de blessure aux yeux, toujours porter une protection oculaire conforme à la norme ANSI Z87.1 lors du nettoyage.*

**⚠AVERTISSEMENT :** *ne jamais utiliser de solvants ni d'autres produits chimiques puissants pour nettoyer les pièces non métalliques de l'outil. Ces produits chimiques peuvent affaiblir les matériaux de plastique utilisés dans ces pièces. Utiliser un chiffon humecté uniquement d'eau et de savon doux. Ne jamais laisser de liquide pénétrer dans l'outil et n'immerger aucune partie de l'outil dans un liquide.*

## Accessoires

**⚠AVERTISSEMENT :** *puisque les accessoires autres que ceux offerts par DeWALT n'ont pas été testés avec ce produit, leur utilisation pourrait s'avérer dangereuse. Pour réduire le risque de blessures, utiliser exclusivement les accessoires DeWALT recommandés avec le présent produit.*

Les accessoires recommandés pour cet outil sont vendus séparément au centre de service de votre région. Pour obtenir de l'aide concernant l'achat d'un accessoire, communiquer avec DeWALT Industrial Tool Co., 701 East Joppa Road, Towson, MD 21286 aux États-Unis; composer le 1 800 433-9258 (1 800 4-DeWALT) ou visiter notre site Web : www.dewalt.com.

## Réparations

Pour assurer la SÉCURITÉ et la FIABILITÉ du produit, les réparations, l'entretien et les réglages doivent être réalisés (cela comprend l'inspection et le remplacement du balai) par un centre de réparation en usine DeWALT, un centre de réparation agréé DeWALT ou par d'autres techniciens qualifiés. Toujours utiliser des pièces de rechange identiques.

## Registre en ligne

Merci pour votre achat. Enregistrez dès maintenant votre produi:

- RÉPARATIONS SOUS GARANTIE:** cette carte remplie vous permettra de vous prévaloir du service de réparations sous garantie de façon plus efficace dans le cas d'un problème avec le produit.
- CONFIRMATION DE PROPRIÉTÉ:** en cas de perte provoquée par un incendie, une inondation ou un vol, cette preuve de propriété vous servira de preuve auprès de votre compagnie d'assurances.
- SÉCURITÉ:** l'enregistrement de votre produit nous permettra de communiquer avec vous dans l'éventualité peu probable de l'envoi d'un avis de sécurité régi par la loi fédérale américaine de la protection des consommateurs.

Registre en ligne à www.dewalt.com/register.

## Garantie limitée de trois ans

DeWALT réparera, sans frais, tout produit défectueux causé par un défaut de matériel ou de fabrication pour une période de trois ans à compter de la date d'achat. La présente garantie ne couvre pas les pièces dont la défectuosité a été causée par une usure normale ou l'usage abusif de l'outil. Pour obtenir de plus amples renseignements sur les pièces ou les réparations couvertes par la présente garantie, visiter le site www.dewalt.com ou composer le 1 800 433-9258 (1 800 4-DeWALT). Cette garantie ne s'applique pas aux accessoires et ne vise pas les dommages causés par des réparations effectuées par un tiers. Cette garantie confère des droits légaux particuliers à l'acheteur, mais celui-ci pourrait aussi bénéficier d'autres droits variant d'un état ou d'une province à l'autre.

En plus de la présente garantie, les outils DeWALT sont couverts par notre :

#### CONTRAT D'ENTRETIEN GRATUIT D'UN AN

DeWALT entretiendra l'outil et remplacera les pièces usées au cours d'une utilisation normale et ce, gratuitement, pendant une période d'un an à compter de la date d'achat.

#### GARANTIE DE REMBOURSEMENT DE 90 JOURS

Si l'acheteur n'est pas entièrement satisfait, pour quelque raison que ce soit, du rendement de l'outil électrique, du laser ou de la cloueuse DeWALT, celui-ci peut le retourner, accompagné d'un reçu, dans les 90 jours à compter de la date d'achat pour obtenir un remboursement intégral, sans aucun problème.

**AMÉRIQUE LATINE :** cette garantie ne s'applique aux produits vendus en Amérique latine. Pour ceux-ci, veuillez consulter les informations relatives à la garantie spécifique présente dans l'emballage, appeler l'entreprise locale ou consulter le site Web pour les informations relatives à cette garantie.

**REMPLACEMENT GRATUIT DES ÉTIQUETTES D'AVERTISSEMENT :** si les étiquettes d'avertissement deviennent illisibles ou sont manquantes, composer le 1 800 433-9258 (1 800 4-DeWALT) pour en obtenir le remplacement gratuit.

<b>DWXXX</b> CUT-OUT TOOL
SER.
<b>⚠WARNING</b> <b>AVERTISSEMENT</b> TO REDUCE RISK OF INJURY, USER MUST READ INSTRUCTION MANUAL, ALWAYS USE PROPER EYE AND RESPIRATORY PROTECTION, USE ONLY RECOMMENDED ACCESSORIES, SHUT OFF ELECTRICITY WHERE CUTOUTS WILL BE MADE. MAKE SURE BIT IS SECURELY TIGHTENED. A TITRE-PRÉVENTIF: LIRE LE GUIDE D'UTILISATION.
<small>DEWALT INDUSTRIAL TOOL CO., BALTIMORE, MD 21286 USA FOR SERVICE INFORMATION, CALL 1-800-4-DEWALT <span style="float:right">www.DIWALT.com</span></small>

## Definiciones: Normas de seguridad

Las siguientes definiciones describen el nivel de gravedad de cada palabra de señal. Lea el manual y preste atención a estos símbolos.

**⚠ PELIGRO:** *indica una situación de peligro inminente que, si no se evita, provocará la muerte o lesiones graves.*

**⚠ ADVERTENCIA:** *indica una situación de peligro potencial que, si no se evita, podría provocar la muerte o lesiones graves.*

**⚠ ATENCIÓN:** *indica una situación de peligro potencial que, si no se evita, posiblemente provocaría lesiones leves o moderadas.*

**AVISO:** *se refiere a una práctica no relacionada a lesiones corporales que de no evitarse puede resultar en daños a la propiedad.*

SI TIENE ALGUNA DUDA O ALGÚN COMENTARIO SOBRE ÉSTA U OTRA HERRAMIENTA DeWALT, LLÁMENOS AL NÚMERO GRATUITO: **1-800-4-DeWALT (1-800-433-9258).**



**⚠ ADVERTENCIA:** *Para reducir el riesgo de lesiones, lea el manual de instrucciones.*

## Advertencias generales de seguridad para herramientas eléctricas

**⚠ ADVERTENCIA!** *Lea todas las advertencias de seguridad e instrucciones. El incumplimiento de las advertencias e instrucciones puede provocar descargas eléctricas, incendios o lesiones graves.*

## CONSERVE TODAS LAS ADVERTENCIAS E INSTRUCCIONES PARA FUTURAS CONSULTAS

El término “herramienta eléctrica” incluido en las advertencias hace referencia a las herramientas eléctricas operadas con corriente (con cable eléctrico) o a las herramientas eléctricas operadas con baterías (inalámbricas).

#### 1) SEGURIDAD EN EL ÁREA DE TRABAJO

- Mantenga el área de trabajo limpia y bien iluminada.** *Las áreas abarrotadas y oscuras propician accidentes.*
- No opere las herramientas eléctricas en atmósferas explosivas, como ambientes donde haya polvo, gases o líquidos inflamables.** *Las herramientas eléctricas originan chispas que pueden encender el polvo o los vapores.*
- Mantenga alejados a los niños y a los espectadores de la herramienta eléctrica en funcionamiento.** *Las distracciones pueden provocar la pérdida de control.*

#### 2) SEGURIDAD ELÉCTRICA

- Los enchufes de la herramienta eléctrica deben adaptarse al tomacorriente. Nunca modifique el enchufe de ninguna manera. No utilice ningún enchufe adaptador con**



- herramientas eléctricas con conexión a tierra.** Los enchufes no modificados y que se adaptan a los tomacorrientes reducirán el riesgo de descarga eléctrica.
- b) **Evite el contacto corporal con superficies con descargas a tierra como, por ejemplo, tuberías, radiadores, cocinas eléctricas y refrigeradores.** Existe mayor riesgo de descarga eléctrica si su cuerpo está puesto a tierra.
- c) **No exponga las herramientas eléctricas a la lluvia o a condiciones de humedad.** Si entra agua a una herramienta eléctrica, aumentará el riesgo de descarga eléctrica.
- d) **No maltrate el cable. Nunca utilice el cable para transportar, tirar o desenchufar la herramienta eléctrica. Mantenga el cable alejado del calor, el aceite, los bordes filosos y las piezas móviles.** Los cables dañados o enredados aumentan el riesgo de descarga eléctrica.
- e) **Al operar una herramienta eléctrica en el exterior, utilice un cable prolongador adecuado para tal uso.** Utilice un cable adecuado para uso en exteriores a fin de reducir el riesgo de descarga eléctrica.
- f) **Si el uso de una herramienta eléctrica en un lugar húmedo es imposible de evitar, utilice un suministro protegido con un interruptor de circuito por falla a tierra (GFCI).** El uso de un GFCI reduce el riesgo de descargas eléctricas.

### 3) SEGURIDAD PERSONAL

- a) **Permanezca alerta, controle lo que está haciendo y utilice el sentido común cuando emplee una herramienta eléctrica. No utilice una herramienta eléctrica si está cansado o bajo el efecto de drogas, alcohol o medicamentos.** Un momento de descuido mientras se opera una herramienta eléctrica puede provocar lesiones personales graves.
- b) **Utilice equipos de protección personal. Siempre utilice protección para los ojos.** En las condiciones adecuadas, el uso de equipos de protección, como máscaras para polvo, calzado de seguridad antideslizante, cascos o protección auditiva, reducirá las lesiones personales.
- c) **Evite el encendido por accidente. Asegúrese de que el interruptor esté en la posición de apagado antes de conectarlo a la fuente de energía o paquete de baterías, o antes de levantar o transportar la herramienta.** Transportar herramientas eléctricas con el dedo apoyado en el interruptor o enchufar herramientas eléctricas con el interruptor en la posición de encendido puede propiciar accidentes.
- d) **Retire la clavija de ajuste o la llave de tuercas antes de encender la herramienta eléctrica.** Una llave de tuercas o una clavija de ajuste que quede conectada a una pieza giratoria de la herramienta eléctrica puede provocar lesiones personales.
- e) **No se estire. Conservé el equilibrio y párese adecuadamente en todo momento.** Esto permite un mejor control de la herramienta eléctrica en situaciones inesperadas.
- f) **Use la vestimenta adecuada. No use ropas holgadas ni joyas. Mantenga el cabello, la ropa y los guantes alejados de las piezas en movimiento.** Las ropas holgadas, las joyas o el cabello largo pueden quedar atrapados en las piezas en movimiento.
- g) **Si se suministran dispositivos para la conexión de accesorios con fines de recolección y extracción de polvo, asegúrese de que estén conectados y que se utilicen correctamente.** El uso de dispositivos de recolección de polvo puede reducir los peligros relacionados con el polvo.

### 4) USO Y MANTENIMIENTO DE LA HERRAMIENTA ELÉCTRICA

- a) **No fuerce la herramienta eléctrica. Utilice la herramienta eléctrica correcta para el trabajo que realizará.** Si se la utiliza a la velocidad para la que fue diseñada, la herramienta eléctrica correcta permite trabajar mejor y de manera más segura.
- b) **No utilice la herramienta eléctrica si no puede encenderla o apagarla con el interruptor.** Toda herramienta eléctrica que no pueda ser controlada mediante el interruptor es peligrosa y debe repararse.
- c) **Desconecte el enchufe de la fuente de energía o el paquete de baterías de la herramienta eléctrica antes de realizar ajustes, cambiar accesorios o almacenar la herramienta eléctrica.** Estas medidas de seguridad preventivas reducen el riesgo de encender la herramienta eléctrica en forma accidental.
- d) **Guarde la herramienta eléctrica que no esté en uso fuera del alcance de los niños y no permita que otras personas no familiarizadas con ella o con estas instrucciones operen la herramienta.** Las herramientas eléctricas son peligrosas si son operadas por usuarios no capacitados.
- e) **Realice el mantenimiento de las herramientas eléctricas. Revise que no haya piezas en movimiento mal alineadas o trabadas, piezas rotas o cualquier otra situación que pueda afectar el funcionamiento de la herramienta eléctrica. Si encuentra daños, haga reparar la herramienta eléctrica antes de utilizarla.** Se producen muchos accidentes a causa de las herramientas eléctricas que carecen de un mantenimiento adecuado.
- f) **Mantenga las herramientas de corte afiladas y limpias.** Las herramientas de corte con mantenimiento adecuado y con los bordes de corte afilados son menos propensas a trabarse y son más fáciles de controlar.
- g) **Utilice la herramienta eléctrica, los accesorios y las brocas de la herramienta, etc. de acuerdo con estas instrucciones y teniendo en cuenta las condiciones de trabajo y el trabajo que debe realizarse.** El uso de la herramienta eléctrica para operaciones diferentes de aquéllas para las que fue diseñada podría originar una situación peligrosa.

### 5) MANTENIMIENTO

- a) **Solicite a una persona calificada en reparaciones que realice el mantenimiento de su herramienta eléctrica y que sólo utilice piezas de repuesto idénticas.** Esto garantizará la seguridad de la herramienta eléctrica.

## Reglas adicionales de seguridad para recortadoras

- Sujete la herramienta eléctrica por superficies de agarre aisladas, porque la cuchilla puede entrar en contacto con su propio cable.** El cortar un cable bajo tensión transmitirá corriente a las partes metálicas expuestas de la herramienta eléctrica y producirá una descarga eléctrica al operador.
- Utilice abrazaderas u otra forma práctica para asegurar y sostener la pieza de trabajo sobre una plataforma estable.** Sostener el trabajo con la mano o contra el cuerpo no brinda la estabilidad requerida y puede llevar a la pérdida del control.
- Los accesorios deben ser especificados como mínimo para la velocidad recomendada en la etiqueta de advertencia de la herramienta.** Si funcionan a velocidades superiores a la prevista, los discos y otros accesorios pueden saltar y provocar lesiones. La clasificación de los accesorios debe estar siempre por encima de la velocidad de la herramienta, como se muestra en la placa de características de ésta.

**⚠ADVERTENCIA:** Después de cambiar las brocas o realizar cualquier ajuste, asegúrese de que la tuerca del collar se encuentre firmemente asegurada.

**⚠ADVERTENCIA:** No apriete el botón del seguro del eje o del seguro de collar mientras el motor se encuentre en marcha. El usuario podría perder el control y dejar caer la herramienta. Esto puede causar lesiones personales o serías averías en la herramienta.

**⚠ADVERTENCIA:** Apague todos los circuitos eléctricos de todas las áreas donde vaya a realizar un corte.

**⚠PRECAUCIÓN:** No toque la broca o la tuerca del collar durante que realiza un corte o inmediatamente después de hacerlo. Estos puede estar suficientemente calientes para producirle una seria quemadura en la piel.

- Utilice siempre protección para sus ojos.** Si las condiciones lo exigen, utilice una máscara para el polvo o un protector auditivo. Es recomendable utilizar dispositivos para su seguridad personal. TRABAJÉ BAJO CONDICIONES DE SEGURIDAD.
- Utilice siempre la herramienta con ayuda de la guía de profundidad.** La guía evita que la broca se introduzca con demasiada profundidad dentro del material. Con el fin de eliminar el peligro de cortar un cable eléctrico, debe mantenerse una penetración mínima.
- No utilice esta herramienta con brocas para taladro o destornillador.** Esta herramienta no ha sido diseñada como taladro o destornillador.
- Asegúrese de que sus brocas de corte se encuentren afiladas y en buenas condiciones.** Las brocas averiadas pueden hacer que la herramienta salte y cause lesiones al usuario.
- Asegúrese que el motor haya parado por completo antes de poner la herramienta.** Si el cabezal de corte aún está en movimiento, podría ocasionar daño o lesiones personales.
- Antes de encender el motor asegúrese que la brocas de corte no esté en contacto con el material de trabajo.** Si la broca está haciendo contacto con la pieza de trabajo, podría hacer saltar la rebajadora y ocasionar daño o lesiones personales.
- En caso de que la herramienta no funcione adecuadamente, llévela al centro DeWALT de servicio certificado más cercano para su reparación.** Esta herramienta no contiene partes utilizables por el usuario.

- Los orificios de ventilación suelen cubrir piezas en movimiento, por lo que también se deben evitar.** Las piezas en movimiento pueden atrapar prendas de vestir sueltas, joyas o el cabello largo.
- El cable de extensión deben ser de un calibre apropiado para su seguridad.** Mientras menor sea el calibre del hilo, mayor la capacidad del cable. Es decir, un hilo calibre 16 tiene mayor capacidad que uno de 18. Un cable de un calibre insuficiente causará una caída en la tensión de la línea dando por resultado una pérdida de energía y sobrecalentamiento. Cuando se utilice más de un alargador para completar el largo total, asegúrese que los hilos de cada alargador tengan el calibre mínimo. La tabla siguiente muestra el tamaño correcto a utilizar, dependiendo de la longitud del cable y del amperaje nominal de la placa de identificación. Si tiene dudas sobre cuál calibre usar, use un calibre mayor. Cuanto más pequeño sea el número del calibre, más resistente será el cable.

Calibre mínimo para cables de alimentación						
Amperaje		Voltios	Largo total del cordón en metros (pies)			
		120 V	7,6 (25)	15,2 (50)	30,5 (100)	45,7 (150)
		240 V	15,2 (50)	30,5 (100)	61,0 (200)	91,4 (300)
Más de	No más de	AWG				
0	6		18	16	16	14
6	10		18	16	14	12
10	12		16	16	14	12
12	16		14	12	No recomendado	

**⚠ADVERTENCIA:** Use **SIEMPRE** lentes de seguridad. Los anteojos de diario NO SON lentes de seguridad. Utilice además una cubrebocas o mascarilla antipolvo si la operación de corte genera demasiado polvo. SIEMPRE LLEVE EQUIPO DE SEGURIDAD CERTIFICADO:

- Protección ocular ANSI Z87.1 (CAN/CSA Z94.3),
- Protección auditiva ANSI S12.6 (S3.19),
- Protección respiratoria NIOSH/OSHA/MSHA.

**⚠ADVERTENCIA:** Algunas partículas de polvo generadas al lijar, serrar, esmerilar y taladrar con herramientas eléctricas, así como al realizar otras actividades de construcción, contienen químicos que el Estado de California sabe que pueden producir cáncer, defectos congénitos u otras afecciones reproductivas. Ejemplos de estos químicos son:

- plomo de algunas pinturas en base a plomo,
- polvo de sílice proveniente de ladrillos y cemento y otros productos de albañilería, y
- arsénico y cromo provenientes de madera tratada químicamente.



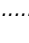

Su riesgo de exposición a estos químicos varía, dependiendo de la frecuencia con la cual realiza usted este tipo de trabajo. Para reducir su exposición a estas sustancias químicas: trabaje en una zona bien ventilada y llevando equipos de seguridad aprobados, como mascarillas antipolvo especialmente diseñadas para filtrar partículas microscópicas.

- Evite el contacto prolongado con polvo generado por el lijado, aserrado, pulido, taladrado y otras actividades de construcción. Vista ropas protectoras y lave las áreas de la piel expuestas con agua y jabón.** Si permite que el polvo se introduzca en la boca u ojos o quede sobre la piel, puede favorecer la absorción de productos químicos peligrosos.

**⚠ADVERTENCIA:** La utilización de esta herramienta puede generar polvo o dispersarlo, lo que podría causar daños graves y permanentes al sistema respiratorio, así como otras lesiones. Siempre use protección respiratoria aprobada por NIOSH (Instituto Nacional de Seguridad y Salud en el Trabajo) u OSHA (Administración de Seguridad y Salud en el Trabajo) apropiada para la exposición al polvo. Dirija las partículas en dirección contraria a la cara y el cuerpo.

**⚠ADVERTENCIA:** **Siempre lleve la debida protección auditiva personal en conformidad con ANSI S12.6 (S3.19) durante el uso de esta herramienta.** Bajo algunas condiciones y duraciones de uso, el ruido producido por este producto puede contribuir a la pérdida auditiva.

- La etiqueta de su herramienta puede incluir los siguientes símbolos. A continuación se indican los símbolos y sus definiciones:

V.....voltios	A.....amperios
Hz.....hertz	W.....vatios
min .....minutos	~ o AC..... corriente alterna
==== o DC ....corriente directa	⎓ o AC/DC .... corriente alterna o directa
 .....Construcción de Clase I (tierra)	n0 .....velocidad sin carga
 .....Construcción de Clase II (doble aislamiento)	n .....velocidad nominal
.../min .....por minuto	 .....terminal de conexión a tierra
IPM .....impactos por minuto	 .....símbolo de advertencia de seguridad
sfpm .....pies de superficie por minuto	BPM .....golpes por minuto
SPM .....pasadas por minuto	RPM .....revoluciones por minuto

## Motor

Asegúrese de que el suministro de energía eléctrica corresponde a la indicada en la placa de seguridad. 120 volt AC indica que su herramienta funciona tan sólo con corriente alterna y nunca con corriente directa.

## Para mantener el control seguro de la herramienta

- Asegúrese de que la superficie de trabajo se encuentre libre de puntillas o tornillos.** Si usted corta una puntilla o tornillo puede hacer que la herramienta salte y dañe la broca.
- Nunca haga funcionar la herramienta con una sola mano mientras sostiene la pieza de trabajo con la otra mano.** Sujete siempre el material y guíe la herramienta con las dos manos. Mantenga siempre el control de su herramienta.
- No corte material que se encuentre sobre una superficie dura.** Es necesario prever un espacio detrás del material que va a ser cortado para permitir el movimiento sobresaliente de la broca.
- Desconecte el clavijero de la toma de corriente antes de realizar cualquier ajuste, cambiar las brocas o limpiar la herramienta.**
- No inicie el funcionamiento de la herramienta cuando la broca se encuentre dentro del material.** La broca puede atascarse causando la pérdida de control.

## Interruptor

Para dar arranque al motor deslice el interruptor (A) hacia la posición “I”. Para detener el motor, lleve el interruptor a la posición “O” (Ver FIG. 1).

## Instalación y remoción de la broca (Fig. 2)

Esta herramienta está diseñada para brocas de corte espirales con un vástago de 3 mm (1/8") o 6 mm (1/4") y tiene un sistema de cambio de broca que no requiere herramientas. Para cambiar las brocas, PRIMERO apague la herramienta y desconéctela del suministro de energía eléctrica. Retire la guía.

- Para reemplazar la broca, suelte el seguro del eje (C), el seguro del collar (B) y gire la abrazadera del collar en el sentido opuesto al de las manecillas del reloj.
- Inserte la broca.

**⚠ADEVERTENCIA:** Las brocas son afiladas y deben ser manejadas con mucho cuidado.

**⚠PRECAUCIÓN:** Cuando reemplace las brocas, no inserte brocas para corte dentro del collar.

Esto puede provocar la rotura de las brocas.

- Mientras presiona los seguros del eje y del collar, gire la abrazadera del collar en el sentido de las manecillas del reloj para apretar firmemente el collar. Para algunos usos de tipo industrial, quizás resulte necesario utilizar una llave con el fin de apretar más fuerte la tuerca (D) mientras presiona el eje dl seguro (C).
- Asegure la guía.

**⚠ PRECAUCIÓN:** Nunca apriete el collar sin tener una broca instalada.

Esta herramienta viene con collares de 3 mm (1/8") y 6 mm (1/4"). Para cambiar los collares, retire la tuerca del collar e inserte el collar deseado.

## Guía de profundidad (Fig. 3)

Cómo sujetar la guía de profundidad a la unidad del motor, **APAGUE LA HERRAMIENTA Y DESCONÉCTELA.**

La guía de profundidad se inserta a presión como se muestra en la figura. Mantenga la guía de profundidad permanentemente instalada mientras la herramienta esté en funcionamiento. Para



mejores resultados, ajuste la guía por medio de la agarradera (E) con el fin de permitir que la broca sobresalga cerca de 3 mm (1/8") del material que va a ser cortado.

### Mango lateral DW6619 (Fig. 4)

Cuando opere la herramienta, use el mango lateral para tener óptimo control. Para instalar el mango lateral a la unidad del motor, **APAGUE LA HERRAMIENTA Y DESCONÉCTELA DE LA TOMA DE CORRIENTE.**

- Retire la guía de profundidad.
- Afloje la perilla (F) hasta que el collarín de la herramienta entre en la banda (G) del mango lateral.
- Haga coincidir el localizador de la herramienta con el localizador del mango lateral. (Detalle) apriete la perilla (F).
- Presione la guía de profundidad sobre la banda del mango lateral (G) desde el lado opuesto. Conserve la guía de profundidad en su sitio en todo momento durante la operación de la herramienta.
- Para obtener mejores resultados, ajuste la guía con la ayuda de la perilla (E) para permitir que la broca sobresalga aproximadamente 3 mm (1/8") a través del material a cortar.
- Para retirar el mango lateral, retire la guía de profundidad, afloje la perilla (F) hasta que la herramienta puede desunirse del localizador y la banda se deslice hacia fuera (G).
- Instale de nuevo la guía de profundidad.

### Cortador de círculos DW6621 (Fig. 5)

Para instalar el cortador de círculos a la unidad del motor. **APAGUE LA HERRAMIENTA Y DESCONÉCTELA DE LA TOMA DE CORRIENTE.**

- Retire la guía de profundidad.
- Afloje la perilla (H) hasta que el collarín de la herramienta entre en la banda (J) del cortador de círculos.
- Haga coincidir el localizador de la herramienta con el localizador cortador de círculos. (Detalle) apriete la perilla (H).
- Desensamble el collarín de la guía de profundidad. Presione la mitad superior (M) en la banda (J).
- Afloje la perilla (L) y extienda el marco del cortador de círculos a la mitad de la carrera.
- Inserte la perilla (E) a través del marco (N).
- Ajuste la profundidad para el corte del material y apriete las perillas (E) y (L).
- Mida al centro del círculo que desea cortar y ajuste la longitud de la guía para el radio que desea.
- Apriete la perilla (O) sujetando la punta central en posición.
- Haga una perforación de 4 mm (5/32") en el centro del radio en el material por cortar.
- Conecte la herramienta, encienda el motor y espere a que la herramienta alcance la velocidad de trabajo.
- Coloque la punta central en el orificio y haga que el cortador penetre el material.
- Con presión firme, sujete la punta central en posición y mueva el cortador en sentido opuesto a las manecillas del reloj alrededor hasta el final.

**▲PRECAUCIÓN:** *Al final del círculo, el material puede desprenderse, sujete la herramienta con ambas manos para conservar el control.*

- Para remover el cortador de círculos, afloje la perilla (H) hasta que la unidad pueda salirse del localizador y se deslice fuera de la banda (J).
- Ensamble de nuevo la guía de profundidad y reinstálela.

## OPERACIÓN

**PARA REALIZAR UNA PERFORACIÓN PARA UNA TOMA DE CORRIENTE ELÉCTRICA (FIG. 4)**

**▲ADVERTENCIA:** *Apague todos los circuitos eléctricos de todas las áreas donde vaya a realizar un corte*

- Empuje con profundidad todos los cables al interior de la toma de corriente con el fin de evitar dañarlos con la broca de corte.
- Antes de fijar la lámina que cubre la toma de corriente, marque en el panel de la pared la localización aproximada del centro de la toma de corriente. Verifique la profundidad de la broca de corte contra el borde del panel de la pared, con el fin de asegurarse de que podrá cortar a través del material.
- Fije el panel en su lugar con unos cuantos sujetadores evitando la columna que sostiene la toma de corriente. Esto permite que el panel se flexione ligeramente alrededor de la caja eléctrica que sobrepasa el panel.
- Encienda la recortadora. Sostenga la herramienta firmemente con las dos manos (FIG 4) e introduzca la broca directamente en el centro de la toma de corriente.
- Inicie el corte hacia la derecha hasta alcanzar el borde de la caja. Tire la broca hacia afuera, justo lo necesario para pasar por encima del borde de la caja. Introduzca nuevamente la broca, apoyándola cuidadosamente contra el exterior de la caja.
- Siga el contorno de la caja como se muestra en la figura, manteniendo una ligera presión contra la caja. Esto evitará que la broca se desvíe y le permitirá obtener un corte preciso.
- Retire la basura y el polvo de la toma de corriente. Termine de fijar el panel del muro.

## MANTENIMIENTO

**▲ADVERTENCIA:** *Para reducir el riesgo de lesiones personales graves, apague la herramienta y desconéctela de la fuente de alimentación antes de instalar y retirar accesorios, ajustar o cambiar configuraciones o realizar reparaciones. Un arranque accidental podría causar lesiones.*

### Lubricación

Todos los cojinetes cuentan con una lubricación permanente durante la vida útil de la herramienta.

## Limpieza

**▲ADVERTENCIA:** *Sople la suciedad y el polvo de todos los conductos de ventilación con aire seco, al menos una vez por semana. Para reducir el riesgo de lesiones, utilice siempre protección para los ojos aprobada ANSI Z87.1 al realizar esta tarea.*

**▲ADVERTENCIA:** *Nunca utilice solventes ni otros químicos abrasivos para limpiar las piezas no metálicas de la herramienta. Estos productos químicos pueden debilitar los materiales plásticos utilizados en estas piezas. Utilice un paño humedecido sólo con agua y jabón neutro. Nunca permita que penetre líquido dentro de la herramienta ni sumerja ninguna de las piezas en un líquido.*

## Accesorios

**▲ADVERTENCIA:** *Debido a que no se han probado con este producto otros accesorios que no sean los que ofrece DeWALT, el uso de dichos accesorios con esta herramienta podría ser peligroso. Para reducir el riesgo de lesiones, con este producto deben usarse sólo los accesorios recomendados por DeWALT.*

Los accesorios que se recomiendan para utilizar con la herramienta están disponibles a un costo adicional en su distribuidor local o en un centro de mantenimiento autorizado. Si necesita ayuda para localizar algún accesorio, póngase en contacto con DeWALT Industrial Tool Co., 701 East Joppa Road, Towson, MD 21286, llame al 1-800-4-DeWALT (1-800-433-9258) o visite nuestro sitio Web: www.dewalt.com.

## Reparaciones

Para asegurar la SEGURIDAD y la CONFIABILIDAD del producto, las reparaciones, el mantenimiento y los ajustes deben (inclusive inspección y cambio de carbones) ser realizados en un centro de mantenimiento en la fábrica DeWALT, en un centro de mantenimiento autorizado DeWALT u por otro personal de mantenimiento calificado. Utilice siempre piezas de repuesto idénticas.

**PARA REPARACIÓN Y SERVICIO DE SUS HERRAMIENTAS ELÉCTRICAS, FAVOR DE DIRIGIRSE AL CENTRO DE SERVICIO MÁS CERCANO**

<b>CULIACAN, SIN</b> Blvd.Emiliano Zapata 5400-1 Poniente Col. San Rafael	(667) 717 89 99
<b>GUADALAJARA, JAL</b> Av. La Paz #1779 - Col. Americana Sector Juárez	(33) 3825 6978
<b>MEXICO, D.F.</b> Eje Central Lázaro Cárdenas No. 18 Local D, Col. Obrera	(55) 5588 9377
<b>MERIDA, YUC</b> Calle 63 #459-A - Col. Centro	(999) 928 5038

<b>MONTERREY, N.L.</b> Av. Francisco I. Madero 831 Poniente - Col. Centro	(818) 375 23 13
<b>PUEBLA, PUE</b> 17 Norte #205 - Col. Centro	(222) 246 3714
<b>QUERETARO, QRO</b> Av. San Roque 274 - Col. San Gregorio	(442) 2 17 63 14
<b>SAN LUIS POTOSI, SLP</b> Av. Universidad 1525 - Col. San Luis	(444) 814 2383
<b>TORREON, COAH</b> Blvd. Independencia, 96 Pte. - Col. Centro	(871) 716 5265
<b>VERACRUZ, VER</b> Prolongación Díaz Mirón #4280 - Col. Remes	(229) 921 7016
<b>VILLAHERMOSA, TAB</b> Constitución 516-A - Col. Centro	(993) 312 5111

**PARA OTRAS LOCALIDADES:**

**Si se encuentra en México, por favor llame al (55) 5326 7100**

**Si se encuentra en U.S., por favor llame al**

**1-800-433-9258 (1-800 4-DeWALT)**

## Póliza de Garantía

IDENTIFICACIÓN DEL PRODUCTO:

Sello o firma del Distribuidor.

Nombre del producto: \_\_\_\_\_ Mod./Cat.: \_\_\_\_\_

Marca: \_\_\_\_\_ Núm. de serie: \_\_\_\_\_

(Datos para ser llenados por el distribuidor)

Fecha de compra y/o entrega del producto: \_\_\_\_\_

Nombre y domicilio del distribuidor donde se adquirió el producto:

Este producto está garantizado por un año a partir de la fecha de entrega, contra cualquier defecto en su funcionamiento, así como en materiales y mano de obra empleados para su fabricación. Nuestra garantía incluye la reparación o reposición del producto y/o componentes sin cargo alguno para el cliente, incluyendo mano de obra, así como los gastos de transportación razonablemente erogados derivados del cumplimiento de este certificado.

Para hacer efectiva esta garantía deberá presentar su herramienta y esta póliza sellada por el establecimiento comercial donde se adquirió el producto, de no contar con ésta, bastará la factura de compra.

### EXCEPCIONES

Esta garantía no será válida en los siguientes casos:

- Cuando el producto se hubiese utilizado en condiciones distintas a las normales;
- Cuando el producto no hubiese sido operado de acuerdo con el instructivo de uso que se acompaña;
- Cuando el producto hubiese sido alterado o reparado por personas distintas a las enlistadas al final de este certificado.

Anexo encontrará una relación de sucursales de servicio de fábrica, centros de servicio autorizados y franquiciados en la República Mexicana, donde podrá hacer efectiva su garantía y adquirir partes, refacciones y accesorios originales.

## Registro en línea

Gracias por su compra. Registre su producto ahora para:

- SERVICIO EN GARANTÍA:** Si completa esta tarjeta, podrá obtener un servicio en garantía más eficiente, en caso de que exista un problema con su producto.
- CONFIRMATCIÓN DE PROPIEDAD:** En caso de una pérdida que cubra el seguro, como un incendio, una inundación o un robo, el registro de propiedad servirá como comprobante de compra.
- PARA SU SEGURIDAD:** Si registra el producto, podremos comunicarnos con usted en el caso improbable que se deba enviar una notificación de seguridad conforme a la Federal Consumer Safety Act (Ley Federal de Seguridad de Productos para el Consumidor).

Registro en línea en [www.dewalt.com/register](http://www.dewalt.com/register).

## Garantía limitada por tres años

DeWALT reparará, sin cargo, cualquier falla que surja de defectos en el material o la fabricación del producto, por hasta tres años a contar de la fecha de compra. Esta garantía no cubre fallas de las piezas causadas por su desgaste normal o abuso a la herramienta. Para mayores detalles sobre la cobertura de la garantía e información acerca de reparaciones realizadas bajo garantía, visitenos en [www.dewalt.com](http://www.dewalt.com) o dirígase al centro de servicio más cercano. Esta garantía no aplica a accesorios o a daños causados por reparaciones realizadas o intentadas por terceros. Esta garantía le otorga derechos legales específicos, además de los cuales puede tener otros dependiendo del estado o la provincia en que se encuentre.

Además de la garantía, las herramientas DeWALT están cubiertas por:

### 1 AÑO DE SERVICIO GRATUITO

DeWALT mantendrá la herramienta y reemplazará las piezas gastadas por su uso normal, sin cobro, en cualquier momento durante un año a contar de la fecha de compra. Los artículos gastados por la clavadora, tales como la unidad de hoja y retorno del impulsador, no están cubiertas.

### GARANTÍA DE REEMBOLSO DE SU DINERO POR 90 DÍAS

Si no está completamente satisfecho con el desempeño de su máquina herramienta, láser o clavadora DeWALT, cualquiera sea el motivo, podrá devolverlo hasta 90 días de la fecha de compra con su recibo y obtener el reembolso completo de su dinero – sin necesidad de responder a ninguna pregunta.

**AMÉRICA LATINA:** Esta garantía no se aplica a los productos que se venden en América Latina. Para los productos que se venden en América Latina, debe consultar la información de la garantía específica del país que viene en el empaque, llamar a la compañía local o visitar el sitio Web a fin de obtener esa información.

**REEMPLAZO GRATUITO DE LAS ETIQUETAS DE ADVERTENCIAS:** Si sus etiquetas de advertencia se vuelven ilegibles o faltan, llame al 1-800-4-DeWALT (1-800-433-9258) para que se le reemplacen gratuitamente.



### ESPECIFICACIONES

<b>DW660</b>	
Tensión de alimentación	120 V CA
Consumo de corriente:	5,0 A
Frecuencia de operación:	60 Hz
Revoluciones o pominuto	30,000

SOLAMENTE PARA PROPÓSITO DE MÉXICO:  
IMPORTADO POR: DeWALT INDUSTRIAL TOOL CO. S.A. DE C.V.  
AVENIDA ANTONIO DOVALI JAIME, # 70 TORRE B PISO 9  
COLONIA LA FE, SANTA FÉ  
CÓDIGO POSTAL : 01210  
DELEGACIÓN ALVARO OBREGÓN  
MÉXICO D.F.  
TEL. (52) 555-326-7100  
R.F.C.: BDE810626-1W7

**Para servicio y ventas consulte "HERRAMIENTAS ELÉCTRICAS" en la sección amarilla.**

