

If you have questions or comments, contact us.  
 Pour toute question ou tout commentaire, nous contacter.  
 Si tiene dudas o comentarios, contáctenos.  
**1-800-4-DEWALT • www.dewalt.com**

INSTRUCTIVO DE OPERACIÓN, CENTROS DE SERVICIO Y PÓLIZA DE GARANTÍA. ADVERTENCIA: LEASE ESTE INSTRUCTIVO ANTES DE USAR EL PRODUCTO.

INSTRUCTION MANUAL  
 GUIDE D'UTILISATION  
 MANUAL DE INSTRUCCIONES

# DEWALT®

DW682  
 Plate Joiner  
 Jointeuse à biscuits  
 Ensabladora

DEWALT Industrial Tool Co., 701 Joppa Road, Baltimore, MD 21286  
 (MAR10) Part No. N075830 DW682 Copyright © 2003, 2005, 2010 DEWALT  
 The following are trademarks for one or more DEWALT power tools: the yellow and black color scheme; the "D" shaped air intake grill; the array of pyramids on the handgrip; the kit box configuration; and the array of lozenge-shaped humps on the surface of the tool.

## Definitions: Safety Guidelines

The definitions below describe the level of severity for each signal word. Please read the manual and pay attention to these symbols.

**⚠ DANGER:** Indicates an imminently hazardous situation which, if not avoided, will result in **death or serious injury**.

**⚠ WARNING:** Indicates a potentially hazardous situation which, if not avoided, could result in **death or serious injury**.

**⚠ CAUTION:** Indicates a potentially hazardous situation which, if not avoided, may result in **minor or moderate injury**.

**NOTICE:** indicates a practice **not related to personal injury** which, if not avoided, may result in **property damage**.

IF YOU HAVE ANY QUESTIONS OR COMMENTS ABOUT THIS OR ANY DEWALT TOOL, CALL US TOLL FREE AT: **1-800-4-DEWALT (1-800-433-9258)**

## General Safety Instructions

**⚠ WARNING!** Read and understand all instructions. Failure to follow all instructions listed below may result in electric shock, fire and/or serious personal injury.

### SAVE THESE INSTRUCTIONS

#### WORK AREA

- **Keep your work area clean and well lit.** Cluttered benches and dark areas invite accidents.
- **Do not operate power tools in explosive atmospheres, such as in the presence of flammable liquids, gases, or dust.** Power tools create sparks which may ignite the dust or fumes.
- **Keep bystanders, children, and visitors away while operating a power tool.** Distractions can cause you to lose control.

#### ELECTRICAL SAFETY

- **Grounded tools must be plugged into an outlet properly installed and grounded in accordance with all codes and ordinances. Never remove the grounding prong or modify the plug in any way. Do not use any adaptor plugs. Check with a qualified electrician if you are in doubt as to whether the outlet is properly grounded.** If the tools should electrically malfunction or break down, grounding provides a low resistance path to carry electricity away from the user. **Applicable only to Class I (grounded) tools.**
- **Double insulated tools are equipped with a polarized plug (one blade is wider than the other.) This plug will fit in a polarized outlet only one way. If the plug does not fit fully in the outlet, reverse the plug. If it still does not fit, contact a qualified electrician to install a polarized outlet. Do not change the plug in any way.** Double insulation  eliminates the need for the three wire grounded power cord and grounded power supply system. **Applicable only to Class II (double insulated) tools.**
- **Avoid body contact with grounded surfaces such as pipes, radiators, ranges and refrigerators.** There is an increased risk of electric shock if your body is grounded.
- **Don't expose power tools to rain or wet conditions.** Water entering a power tool will increase the risk of electric shock.
- **Do not abuse the cord. Never use the cord to carry the tools or pull the plug from an outlet. Keep cord away from heat, oil, sharp edges or moving parts. Replace damaged cords immediately.** Damaged cords increase the risk of electric shock.
- **When operating a power tool outside, use an outdoor extension cord marked "W-A" or "W."** These cords are rated for outdoor use and reduce the risk of electric shock. When using an extension cord, be sure to use one heavy enough to carry the current your product will draw. An undersized cord will cause a drop in line voltage resulting in loss of power and overheating. The following table shows the correct size to use depending on cord length and nameplate ampere rating. If in doubt, use the next heavier gage. The smaller the gage number, the heavier the cord.

		Minimum Gauge for Cord Sets				
Ampere Rating		Volts	Total Length of Cord in Feet (meters)			
		120V	25 (7.6)	50 (15.2)	100 (30.5)	150 (45.7)
		240V	50 (15.2)	100 (30.5)	200 (61.0)	300 (91.4)
More Than	Not More Than	AWG				
0	6		18	16	16	14
6	10		18	16	14	12
10	12		16	16	14	12
12	16		14	12	Not Recommended	

#### PERSONAL SAFETY

- **Stay alert, watch what you are doing and use common sense when operating a power tool. Do not use tool while tired or under the influence of drugs, alcohol, or medication.** A moment of inattention while operating power tools may result in serious personal injury.
- **Dress properly. Do not wear loose clothing or jewelry. Contain long hair. Keep your hair, clothing, and gloves away from moving parts.** Loose clothing, jewelry, or long hair can be caught in moving parts. Air vents often cover moving parts and should also be avoided.
- **Avoid accidental starting. Be sure switch is off before plugging in.** Carrying tools with your finger on the switch or plugging in tools that have the switch on invites accidents.
- **Remove adjusting keys or wrenches before turning the tool on.** A wrench or a key that is left attached to a rotating part of the tool may result in personal injury.
- **Do not overreach. Keep proper footing and balance at all times.** Proper footing and balance enables better control of the tool in unexpected situations.
- **Use safety equipment. Always wear eye protection.** Dust mask, non-skid safety shoes, hard hat, or hearing protection must be used for appropriate conditions.

#### TOOL USE AND CARE

- **Use clamps or other practical way to secure and support the workpiece to a stable platform.** Holding the work by hand or against your body is unstable and may lead to loss of control.
- **Do not force tool. Use the correct tool for your application.** The correct tool will do the job better and safer at the rate for which it is designed.
- **Do not use tool if switch does not turn it on or off.** Any tool that cannot be controlled with the switch is dangerous and must be repaired.
- **Disconnect the plug from the power source before making any adjustments, changing accessories, or storing the tool.** Such preventative safety measures reduce the risk of starting the tool accidentally.
- **Store idle tools out of reach of children and other untrained persons.** Tools are dangerous in the hands of untrained users.

- **Maintain tools with care. Keep cutting tools sharp and clean.** Properly maintained tools, with sharp cutting edges are less likely to bind and are easier to control.
- **Check for misalignment or binding of moving parts, breakage of parts, and any other condition that may affect the tool's operation. If damaged, have the tool serviced before using.** Many accidents are caused by poorly maintained tools.
- **Use only accessories that are recommended by the manufacturer for your model.** Accessories that may be suitable for one tool, may become hazardous when used on another tool.

#### SERVICE

- **Tool service must be performed only by qualified repair personnel.** Service or maintenance performed by unqualified personnel could result in a risk of injury.
- **When servicing a tool, use only identical replacement parts. Follow instructions in the Maintenance section of this manual.** Use of unauthorized parts or failure to follow maintenance instructions may create a risk of electric shock or injury.

#### Additional Specific Safety Instructions

- **Hold tool by insulated gripping surfaces when performing an operation where the cutting tool may contact hidden wiring or its own cord.** Contact with a "live" wire will make exposed metal parts of the tool "live" and shock the operator.

**⚠ WARNING:** Always wear proper personal hearing protection that conforms to ANSI S12.6 (S3.19) during use. Under some conditions and duration of use, noise from this product may contribute to hearing loss.

**⚠ WARNING:** Some dust created by power sanding, sawing, grinding, drilling, and other construction activities contains chemicals known to cause cancer, birth defects or other reproductive harm. Some examples of these chemicals are:

- lead from lead-based paints,
- crystalline silica from bricks and cement and other masonry products, and
- arsenic and chromium from chemically-treated lumber (CCA).

Your risk from these exposures varies, depending on how often you do this type of work. To reduce your exposure to these chemicals: work in a well ventilated area, and work with approved safety equipment, such as those dust masks that are specially designed to filter out microscopic particles.

- **Avoid prolonged contact with dust from power sanding, sawing, grinding, drilling, and other construction activities. Wear protective clothing and wash exposed areas with soap and water.** Allowing dust to get into your mouth, eyes, or lay on the skin may promote absorption of harmful chemicals.

**⚠ WARNING:** Use of this tool can generate and/or disburse dust, which may cause serious and permanent respiratory or other injury. Always use NIOSH/OSHA approved respiratory protection appropriate for the dust exposure. Direct particles away from face and body.

- The label on your tool may include the following symbols. The symbols and their definitions are as follows:

V..... volts	A..... amperes
Hz..... hertz	W..... watts
min ..... minutes	~ ..... alternating current
==== ..... direct current	n <sub>o</sub> ..... no load speed
<input type="checkbox"/> ..... Class II Construction	⊕ ..... earthing terminal
⚠ ..... safety alert symbol	.../min ..... revolutions per minute

### SAVE THESE INSTRUCTIONS

#### Introduction

Examine Figure 1 and your plate joiner for a few minutes to become familiar with the various features and the names used to describe them. The following sections will discuss the various controls and you will need to know where they are.

#### Overview

You have purchased a precision woodworking tool. The function of the plate joiner is to enable you to make extremely strong and accurate joints in wood and wood by products. The tool works by a plunging action to precisely cut crescent shaped slots for the placement of flat wooden dowels or "biscuits" like those shown in Figure 2.

The various adjustments on the patented base/fence assembly will enable you to make virtually any biscuit joint imaginable. The tool may be further enhanced by some simple jigs and fixtures that can be easily made. Some of the more common biscuit joinery applications are shown in Figure 3 and are discussed in detail in the applications section of this manual.

#### Switch

Your plate joiner has a trigger switch located on the underside, as shown in Figure 1. To turn the tool on, depress the trigger. To turn the tool off, release the trigger. To lock the tool on for continuous operation, there is a lock on button located at the rear of the tool just above the cord. When cutting always hold the tool with one hand on the switch handle and one hand on the auxiliary handle. To lock the tool on, depress and hold the trigger as you depress the lock button. Hold the lock button in as you gently release the trigger. The tool will continue to run. To turn the tool off from a locked on condition, depress and release the trigger once.

#### Blade Replacement

In time your saw blade will wear out and need replacement. To remove the blade, follow the steps below.

1. Turn off and unplug the plate joiner.
2. Remove the 4 torx head screws from the bottom of the shoe, using the T20 torx screwdriver provided.
3. Rotate the shoe out of the way.
4. Use the spanner wrench provided to loosen (counterclockwise) the blade nut. Depress the spindle lock pin on the top of the gear case to hold the spindle while you unscrew the nut.
5. Remove the blade and have it sharpened or replace it with a new one.
6. Reinstall the blade by reversing the steps above. Be sure blade teeth point counterclockwise as shown in Figure 4.
7. **IMPORTANT:** Always check the fine depth adjustment when sharpening or replacing the blade. Adjust if necessary. (See "Controls" section).

#### The Controls

The heart of your plate joiner is the base/fence assembly. All of the controls that let you make a variety of precision cuts are located on this assembly. Take a few minutes to become familiar with the various controls.

**ALWAYS TURN OFF AND UNPLUG PLATE JOINER BEFORE MAKING ANY ADJUSTMENTS.**

##### 1. ADJUSTABLE FENCE

The adjustable fence provides a sturdy, precise reference surface to determine the point at which the slots for the biscuits will be cut. Its adjustable height feature allows you to position biscuit slots as close as 3/16" (4.76mm) and as distant as 1-3/8" (35mm) measured from the workpiece surface to the centerline of the blade (see Figure 6). The adjustable angle feature allows a full range of settings from 0° to 90° as well as a reverse 45° bevel which allows outside registration on miter joints. (See Applications section under Miter Joints, Figure 26.)

The height adjustment is accomplished by first loosening the lock knob on the right side of the fence and then rotating the knurled adjustment knob until the desired height is reached (see Figure 5).

Tightening the lock knob will then automatically align the fence parallel to the blade and lock it in position. The vertical scale and pointer located directly under the lock knob can be used to assist in setting this height. The scale readings indicate distance from the blade centerline to the fence surface when the fence is set at 90° (see Figure 6). The fence angle can be set simply by loosening the lock knob on the left side of the tool, aligning the protractor scale with the pointer and tightening the lock knob.

##### 2. PLUNGE DEPTH ADJUSTMENT

The depth of cut can be set to match the dimensions of the particular size biscuit you will be using. The numbers on the depth adjustment knob (0,10,20,M) coincide with the three sizes of biscuits shown in Figure 2. The letter M stands for the maximum depth capacity of the tool which is 20mm (25/32"). This depth is obtainable only with a new blade and by backing out the fine adjustment screw (see next section).

**NOTE:** The M setting has been provided for future use and will not be necessary for most biscuiting operations. To select a depth, align the appropriate number with the red mark scribed in the tool's housing, as shown in Figure 7. Rotate the depth adjustment knob to the desired position and it will "click" into place.

##### 3. FINE DEPTH ADJUSTMENT

You may encounter situations where you want to leave a little looseness in your joint so that you can move it slightly before the glue sets up. For these instances a fine depth adjustment has been provided. To adjust, you must first raise the adjustable fence to its uppermost position. Then insert the T20 torx wrench provided into the opening as shown in Figure 8. Turn the depth adjustment screw clockwise for less depth and counterclockwise for increased depth. Each full turn causes a change in depth of 1mm (0.04"). Always check the depth adjustment by first making test cuts in scrap wood.

##### 4. ANTI-SLIPPAGE PINS

Plate Joiners tend to slide to the right with respect to the workpiece when making a cut. This tendency is increased with a dull blade or when plunging very rapidly. Anti-slippage pins have been provided to reduce this tendency and are located on the front registration surface on either side of the blade opening slot. When making some joints, you may wish to retract the anti-slippage pins so as not to scratch your workpiece in a visible area. For this purpose, simply rotate the anti-slippage pins approximately 1/6 of a turn and they will retract back behind the front registration surface. A flat blade screwdriver can be used to rotate the pins as shown in Figure 9.

##### 5. BOTTOM REGISTRATION SURFACE

For certain applications, you will want to use the bottom surface of the plate joiner for alignment. When using the bottom registration surface, the adjustable fence should be set to 0° and the height setting is unimportant. This surface is used primarily when making "T" joints (see applications section). The distance between the centerline of the blade and the bottom registration surface is fixed at 3/8" (9.5mm) which allows centering on 3/4" (19mm) thick stock. The 3 red marks on the bottom registration surface indicate the centerline (or the deepest point) of the biscuit cut and the approximate width of a #20 biscuit so that you'll know where the edge of the blade is and can prevent breakthrough. To avoid breaking through the workpiece, align the shoe so that neither outside mark extends beyond the end of the workpiece. If either side does, there is a good chance that the blade will break through the surface and ruin your work.

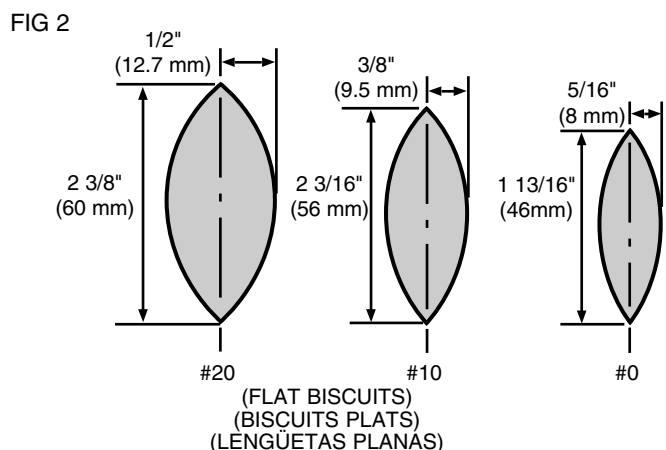
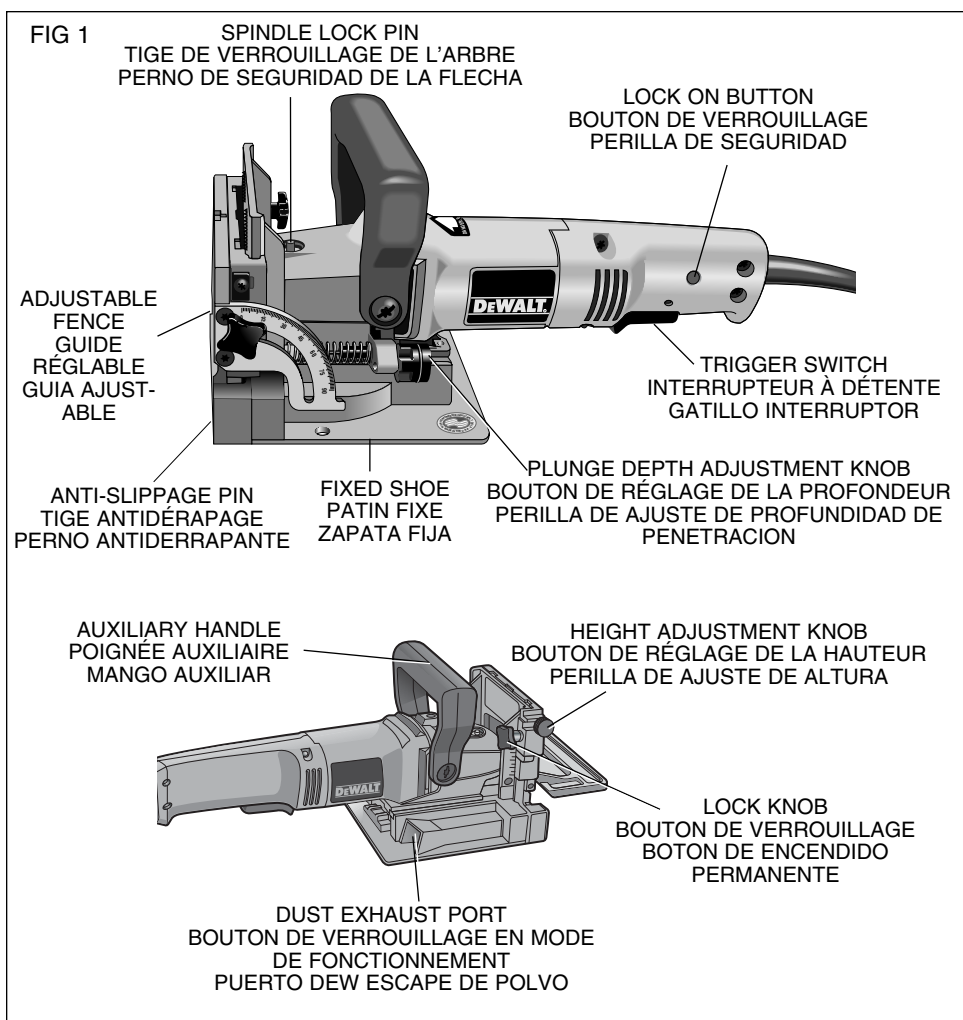
##### 6. DUST EXTRACTION

There are three options provided for collecting dust from your plate joiner as described below.

###### A. Adjustable Direction Elbow (See Figure 10)

This attachment inserts into the dust exhaust port on the right side at the rear of the base assembly and clicks into place. To remove, pull out firmly. The directional elbow rotates easily to aim the dust in the most convenient direction suitable for the particular application.





**B. Dust Adaptor (See Figure 11)**

This attachment, when inserted as described above, allows the use of several common sizes of vacuum hose to be attached for direct vacuum pick-up of the dust.

**C. Dust Bag (See Figure 12)**

The dust bag provided fits snugly over the dust adaptor described above. To empty the bag, open the zipper underneath and dump dust out.

**NOTE:** When the bag becomes full, the dust will back-up into the adaptor and the exhaust port on the right rear of the tool. To clean out, turn off and unplug the tool and remove packed dust. The bag will hold the dust generated from approximately 70 to 100 #20 biscuit cuts before filling up.

**General Operation**

Plate joiners are primarily used for making cabinetry and furniture, joining millwork or other similar applications where a strong, accurate joint is required in wood or wood by-products. There are literally hundreds of variations of joints that can be made with your Plate Joiner. We will limit our discussion to six basic joints that can be used to build on and adapt to your own applications. The following are some basic set-up steps that will apply to all biscuit joints.

**1. BISCUIT SIZE SELECTION**

As mentioned earlier, the three biscuit sizes are #0, #10 and #20. It is a good rule of thumb to use the largest biscuit size that will physically fit in the application. Unless you are joining narrow face or picture frames or using 1/2" or thinner stock, you will find the #20 biscuit size to suit most applications. After selecting the biscuit size, set the depth adjustment knob to the corresponding size (see Controls section). Also, be sure the fine depth adjustment is correctly set by first testing in a scrap piece. This is extremely important as you do not want to discover during glue-up that your biscuit slots are not quite deep enough.

**2. BISCUIT LOCATION AND LAYOUT**

Generally, biscuits may be spaced and located at your discretion. For edge joints, a good rule of thumb is to space biscuits every 6-10 inches on center. It is further recommended that biscuits be placed so that the centerline of the end biscuits is 2-3 inches from the end of the workpiece. When joining face frames or picture frames where the workpiece is narrow, you may have to choose the smaller biscuit sizes to keep from "breaking out" on the end of the joint. Breaking out should be avoided if possible, but if not you can assemble the joint and trim off the exposed biscuit tip after the glue sets (see Figure 13). When working with material up to 1" thick, we advise to use a single biscuit located in the approximate center of the material thickness. If thicker stock is to be joined, you may choose to use 2 biscuits across the thickness for greater strength (see Figure 14). Biscuit locations should be marked by first positioning the mating pieces exactly as they are to be assembled. Next, make a mark at 90° to the joint interface across both pieces at the desired biscuit locations (see Figure 15). See Application section for more specific information on joint layout. The marks you make will then be aligned with one of the center registration marks on the tool, again, depending upon your specific application.

**3. MAKING THE CUT**

Prior to making any cut, be sure that all fence adjustments are set and lock knobs are tight. Also, be sure you have selected the proper depth setting. Clamp your workpiece firmly and align the plate joiner's center registration mark with your layout mark. Turn on the tool and let the blade come up to full speed (approximately 1 second). Grasping the switch handle and auxiliary handle and positioning the fence firmly and squarely against the workpiece, plunge the blade until it bottoms against the stop. Continuing to hold the tool squarely and firmly, allow the return spring to retract the blade from the work and then release the switch to shut the tool off. It will take some practice to obtain a "feel" for the tool to produce accurate joints, so practicing in scrap wood first is advisable.

**4. JOINT ASSEMBLY**

After your joints are cut, you may wish to trial fit everything together before gluing. When you are satisfied with your joints, evenly spread any good quality woodworking glue in each slot as well as on the mating flat surfaces of your joint. Place biscuits in the slots, assemble the joint and clamp until dry. For a biscuit joint to be most effective, it is important that the biscuits themselves be in contact with the glue. This is because the biscuits absorb the moisture in the glue and expand to form a tight joint.

**Applications**

**1. EDGE TO EDGE JOINTS (See Figure 16)**

This is the simplest to make and most common joint for the plate joiner. Follow the steps below to produce this joint.

- Prepare the workpieces and lay them on a work surface exactly as they are to be assembled.
- Spacing biscuits 2-3" in from the ends and 6-10" apart, layout the biscuit centers.
- Set up the plate joiner by first selecting the proper depth setting. Set the fence to 90°. Set the height adjustment to position the biscuit in the approximate center of the stock thickness.
- Clamp the workpiece and position the tool so that the center indicator mark lines up with the first layout mark (see Figure 17). Turn on the tool and make the plunge cut. Retract the tool and release the trigger to turn the tool off. Repeat for each layout mark.
- Glue, assemble and clamp the joint.
- For stock thicker than 1", you may wish to use double biscuits at each location. Set the height adjustment to allow at least 3/16" of stock between the biscuit and the edge of the work surface. Make all cuts at this fence setting before readjusting the fence for the lower cuts. Again, there should be at least 3/16" of stock between the biscuit and the outside wall and between the biscuits themselves (see Figure 18).

**2. FRAME JOINTS (See Figure 19)**

Frame joints are an ideal application for biscuit joinery. With the plate joiner you can create a very strong, precise joint that is much faster to make than a dowel or mortise and tenon joint. Figure 19 shows two types of frame joints. Follow the steps outlined below.

- Arrange the workpieces on a flat work surface exactly as they are to be assembled.
- Select the proper biscuit size based on the length of the joint. (If the frame pieces are too narrow for a #0 biscuit, you will have to allow the biscuit tip to protrude slightly and then trim it off after the joint is dry (see Figure 13).
- Lay out the biscuit locations.
- Set up the tool by selecting the depth that corresponds to the chosen biscuit size. Lock the fence at 90° and adjust the fence height to center the biscuit on the stock thickness.
- Clamp the workpiece and position the Plate Joiner to make the first cut (see Figure 20).
- Turn on the tool and make the plunge cut.
- Repeat for each layout mark.
- Glue, assemble and clamp the frame.

**3. CORNER JOINTS (See Figure 21)**

Corner joints are another common and excellent application for biscuit joinery. Follow the procedure below.

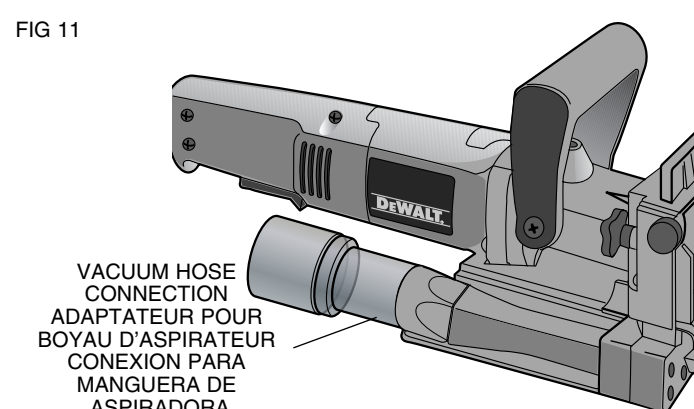
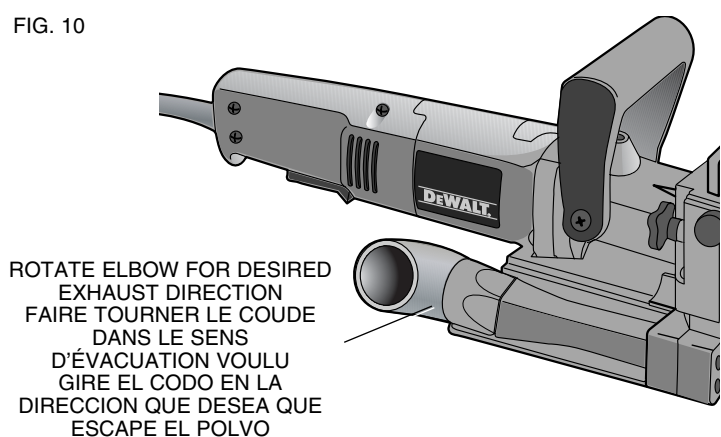
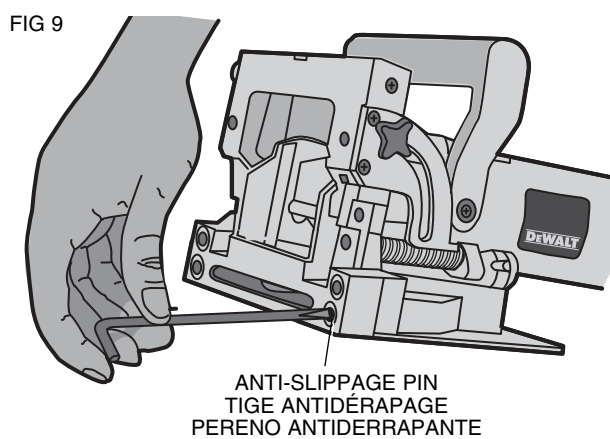
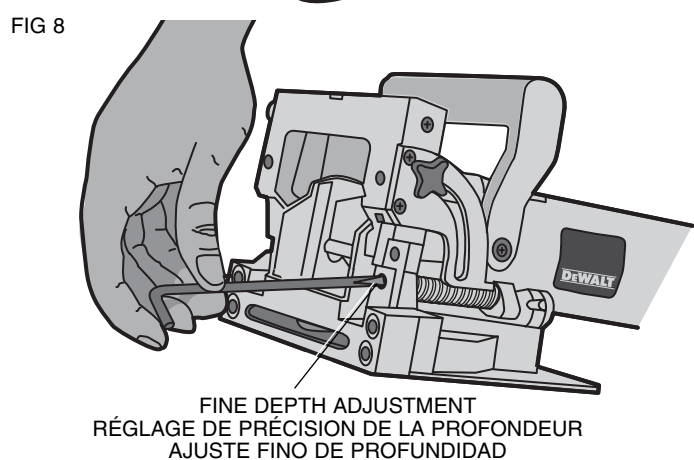
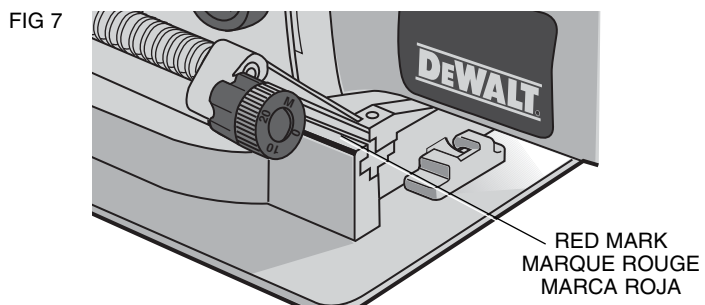
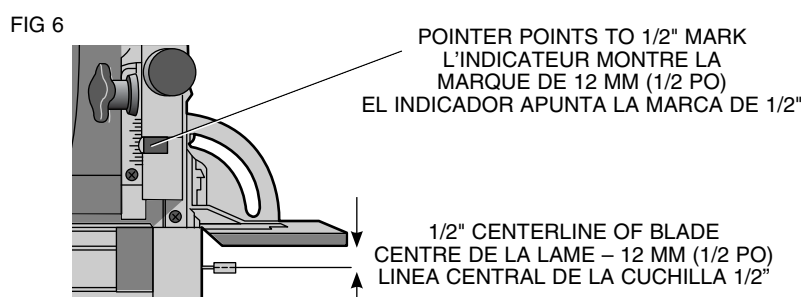
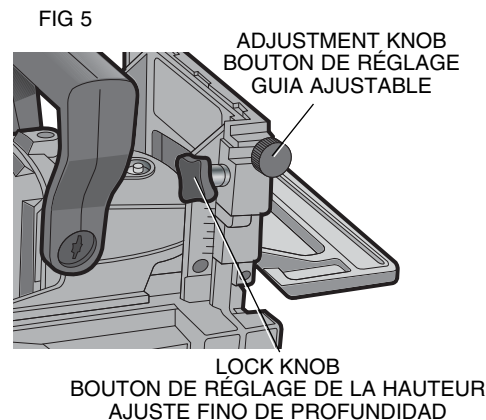
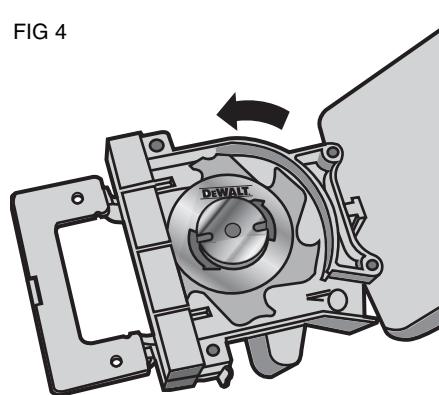
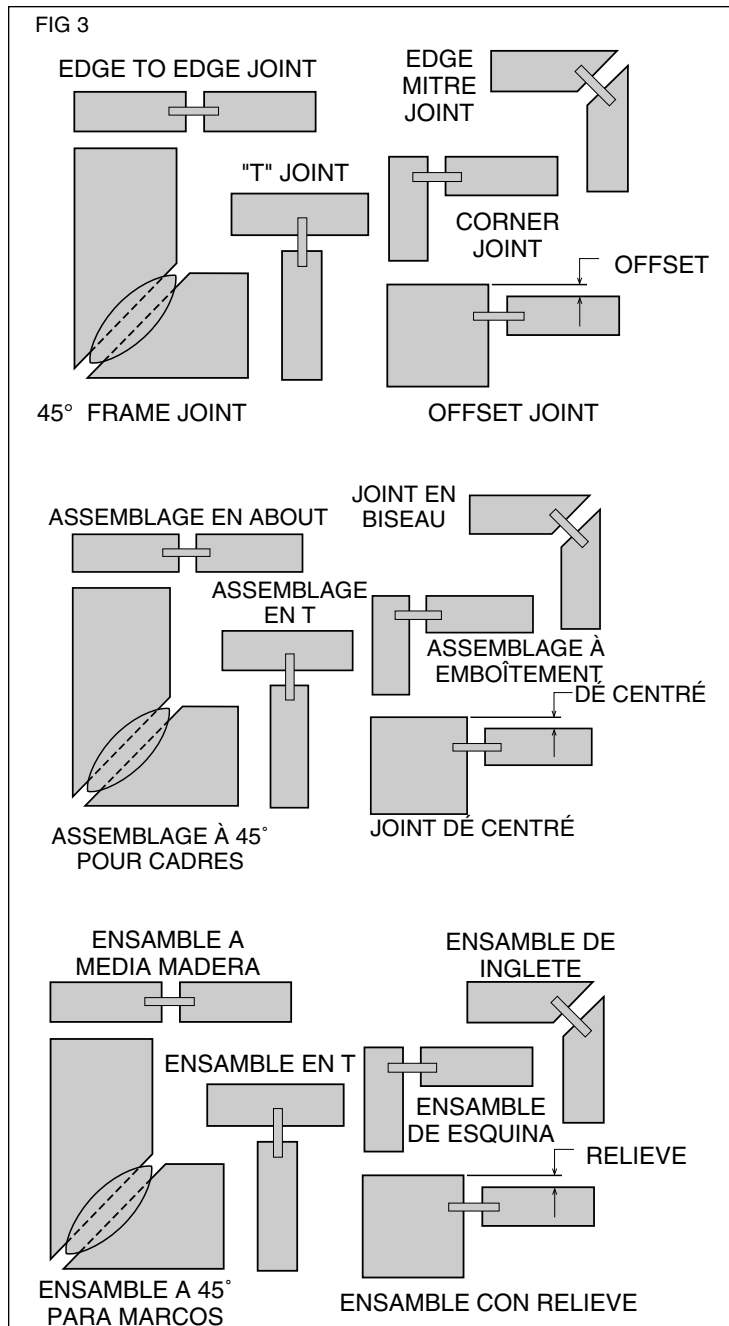




FIG 12

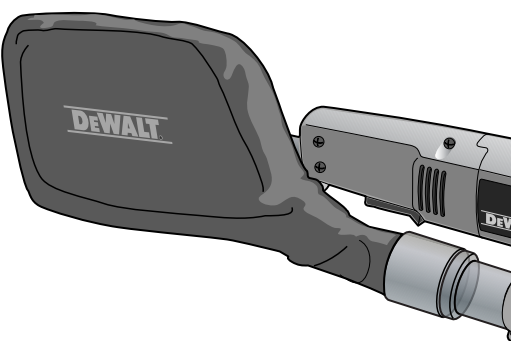
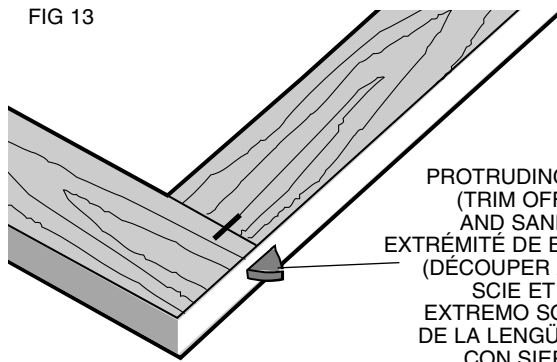
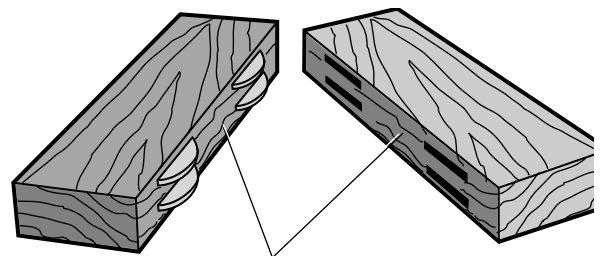


FIG 13



PROTRUDING BISCUIT END  
(TRIM OFF WITH SAW  
AND SAND SMOOTH)  
EXTRÉMITÉ DE BISCUIT SAILLANTE  
(DÉCOUPER À L'AIDE D'UNE  
SCIE ET PONCER.)  
EXTREMO SOBRESALIENTE  
DE LA LENGÜETA (RECORTA  
CON SIERRA Y LIJE)

FIG 14



1" OR GREATER STOCK THICKNESS  
PIÈCES DE PLUS DE 25 MM (1 PO) D'ÉPAISSEUR  
MADERA DE 25MM (1") DE ESPESOR O MAYOR

FIG 15

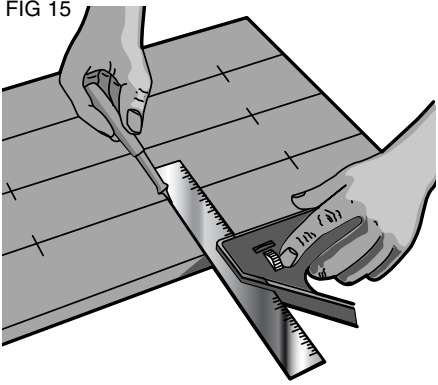


FIG 16

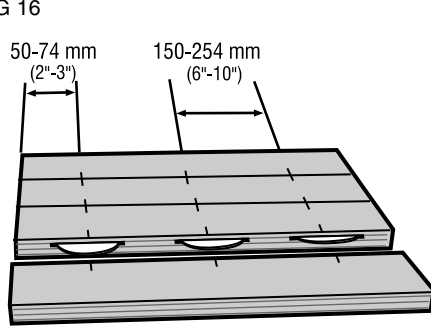


FIG 17

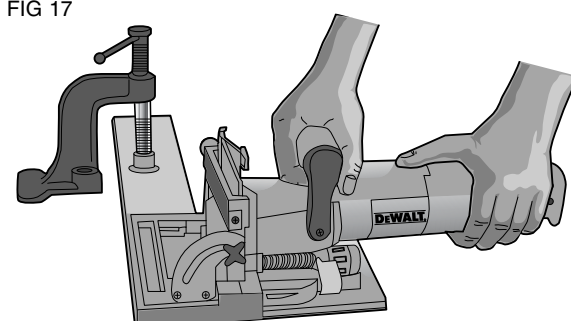
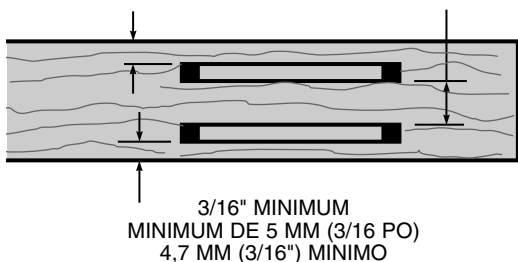


FIG 18

3/16" (5 MM) MINIMUM  
MINIMUM DE 5 MM (3/16 PO)  
4,7 MM (3/16") MINIMO

3/16" (5 MM) MINIMUM  
MINIMUM DE 5 MM (3/16 PO)  
4,7 MM (3/16") MINIMO



3/16" MINIMUM  
MINIMUM DE 5 MM (3/16 PO)  
4,7 MM (3/16") MINIMO

FIG 19

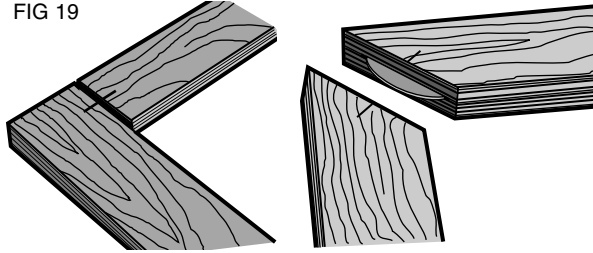


FIG 20

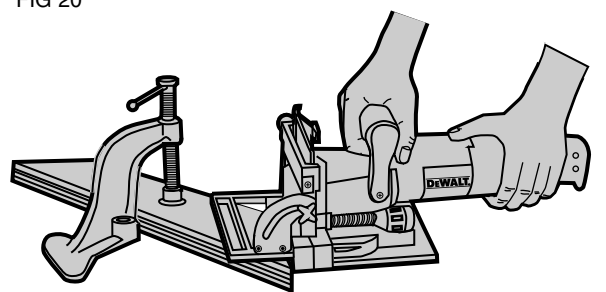


FIG 21

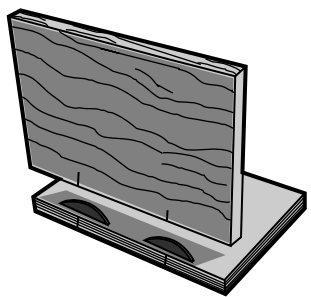


FIG 22

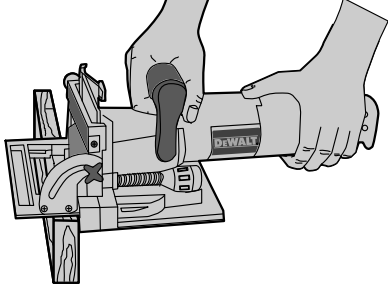


FIG 23

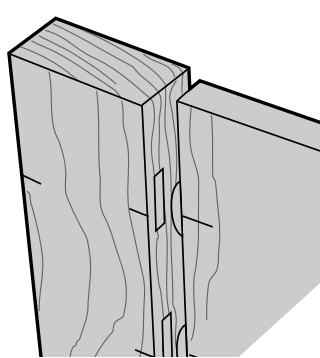


FIG 24

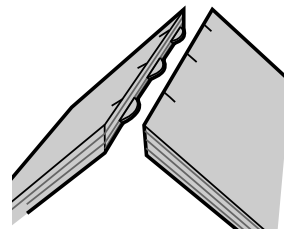
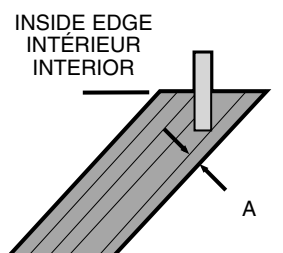


FIG 25

POSITION BISCUIT CLOSER  
TO INSIDE EDGE TO INCREASE  
DIMENSION "A"  
PLACER LE BISCUIT VERS L'INTÉRIEUR  
DE FAÇON À  
AUGMENTER LA DIMENSION «A».  
COLOQUE LA LENGÜETA CERCA AL  
BORDE INTERIOR PARA AUMENTAR LA  
DIMENSION "A"



- Arrange the workpieces exactly as they are to be joined.
- Select the biscuit size and layout the biscuit locations.
- Set up the tool by selecting the proper depth setting, adjusting the fence to center on the stock thickness and setting the angle to 90°.
- For this joint, you will make cuts into the edge of one workpiece and the face of another. The edge cut is performed the same as for edge to edge joints. The face cut is made by clamping the workpiece and aligning the tool as shown in Figure 22. Turn the tool on, make the plunge cut and repeat for each layout mark.
- Glue, assemble and clamp the joint.

#### 4. OFFSET JOINTS (See Figure 23)

- You may wish to have a deliberate offset between two workpieces. This is easily accomplished with your plate joiner by performing the following steps.
- Arrange the workpieces as they are to be assembled and layout the biscuit locations.
  - Set up the tool by selecting the proper biscuit size and adjusting the fence angle to 90°. Select the workpiece that will be set back and adjust the fence height to center the cut within the thickness of that piece.
  - Clamp the workpiece, align the tool and make the plunge cut.
  - Next, adjust the fence up by an amount equal to the desired offset. Use the scale and pointer located on the right side of the tool under the fence lock knob.
  - Clamp the second workpiece, align the tool and make the plunge cut.
  - Glue, assemble and clamp the joint.

#### 5. EDGE MITER JOINTS (See Figure 24)

- Edge miters are most commonly used in box structures or for making multisided pedestals where you would like to hide the end grain. Once again, biscuit joinery is an outstanding method to use both for added strength as well as ease of assembly. Follow the steps below to assemble a 90° joint.
- Position the workpieces as they are to be assembled and layout biscuit locations on the outside of the joint.
  - Set up tool by first setting fence angle to 90°. Make the fence adjustment such that the biscuit is located toward the inside of the joint where the material is thicker, then select the biscuit size so that the blade does not protrude through the outside wall when the cut is made (see Figure 25).
  - Clamp the workpiece and align the tool as shown in column in Figure 26.
  - Turn on the tool and make the plunge cut.
  - Glue, assemble and clamp the joint.
  - For joints other than 90° see outside registration column Figure 27 for proper fence angle setting.

The above method will produce a joint where the outside surfaces of the joint are aligned. If you wish to produce a joint where the inside surfaces are aligned, use the following procedures for a 90° joint.

- Position workpieces as they are to be assembled.
- Layout biscuit locations on the inside of the angle.
- Set up tool by setting fence angle to 45°. Set vertical fence adjustment so that the biscuit is located toward the inside of the joint where material is thicker. Select biscuit size so that the blade does not protrude through the outside face of the material.
- Clamp the workpiece and align the tool as shown in Figure 28.
- Make the plunge cut and repeat for all biscuit locations.
- Glue, assemble and clamp the joint.
- For joints other than 90° see inside registration column in Figure 27 for proper fence angle setting.

#### 6. T-JOINTS (Figure 29)

- Biscuit joining is a viable alternative to dadoing when making a T-joint. T-joints are most commonly used when attaching shelves to the sides of a case. The method described below will work if your shelf material is at least 5/8" thick.
- Place the workpieces on a work surface exactly as you will be assembling them in the form of an upside down "T." Mark lightly along the joint where the top of the shelf is to end up (see Figure 30). Mark biscuit locations at the joint interface on the shelf piece only.
  - Lay the shelf down on the mating workpiece. Clamp the two workpieces together and to the work surface in this position (see Figure 31).
  - Set up the tool by selecting the proper biscuit size and setting the adjustable fence angle at 0°.
  - Using the bottom registration surface, align the tool with the biscuit location marks and make a vertical and a horizontal plunge cut for each biscuit location as shown in Figure 32.
  - Glue, assemble and clamp the joint.

### MAINTENANCE

**⚠ WARNING:** To reduce the risk of serious personal injury, turn tool off and disconnect tool from power source before making any adjustments or removing/installing attachments or accessories.

### Cleaning

**⚠ WARNING:** Blow dirt and dust out of all air vents with dry air at least once a week. Wear proper ANSI Z87.1 (CAN/CSA Z94.3) eye protection and proper NIOSH/OSHA/MSHA respiratory protection when performing this.

**⚠ WARNING:** Never use solvents or other harsh chemicals for cleaning the non-metallic parts of the tool. These chemicals may weaken the plastic materials used in these parts. Use a cloth dampened only with water and mild soap. Never let any liquid get inside the tool; never immerse any part of the tool into a liquid.

### Accessories

**⚠ WARNING:** Since accessories, other than those offered by DEWALT, have not been tested with this product, use of such accessories with this tool could be hazardous. To reduce the risk of injury, only DEWALT, recommended accessories should be used with this product. Recommended accessories for use with your tool are available at extra cost from your local dealer or authorized service center. If you need assistance in locating any accessory, please contact DEWALT Industrial Tool Co., 701 East Joppa Road, Baltimore, MD 21286, call 1-800-4-DEWALT (1-800-433-9258) or visit our website www.dewalt.com.

### Motor Brushes

DEWALT uses an advanced brush system which automatically stops the drill when the brushes wear out. This prevents serious damage to the motor.

FIG 26

REVERSE 45° BEVEL: ALLOWS OUTSIDE  
REGISTRATION ON MITER JOINTS.  
(NOTE: THE TOOL IS REGISTERED  
AGAINST THE OUTSIDE SURFACE.)  
BISEAU INVERSÉ DE 45° : SURFACE DE CONTACT  
EXTÉRIEURE SUR LES JOINTS EN BISEAU.  
(NOTE : L'OUTIL REPOSE SUR LA SURFACE EXTÉ-  
RIEURE.)  
BISEL INVERTIDO A 45 : PERMITE REGISTRO  
EXTERIOR EN ENSAMBLES ANGULARES.  
(NOTA: LA HERRAMIENTA SE REGISTRA  
CONTRA LA SUPERFICIE EXTERNA.)

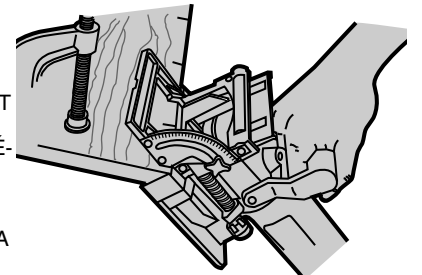
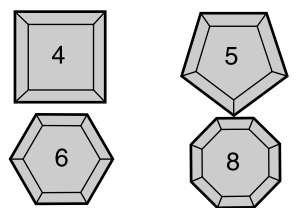
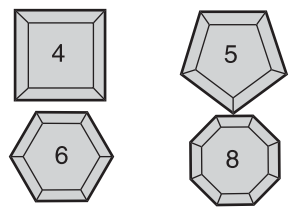


FIG 27

# OF SIDES	JOINT ANGLE	FENCE ANGLE SETTING	
		OUTSIDE REGISTRATION	INSIDE REGISTRATION
4	90°	90°	45°
5	108°	81°	54°
6	120°	75°	60°
8	135°	67.5°	67.5°



# DE CÔTÉS	ANGLE COMMUN	LE CADRE D'ANGLE DE CLÔTURE	
		MATRIÈRE DE L'EXTÉRIEUR	MATRIÈRE DE L'INTÉRIEUR
4	90°	90°	45°
5	108°	81°	54°
6	120°	75°	60°
8	135°	67.5°	67.5°



# DE LADOS	ÁNGULO COMÚN	CERQUE LA COLOCACIÓN DEL ÁNGULO	
		MATRIÈRE EXTERIOR	MATRIÈRE INTERIOR
4	90°	90°	45°
5	108°	81°	54°
6	120°	75°	60°
8	135°	67.5°	67.5°

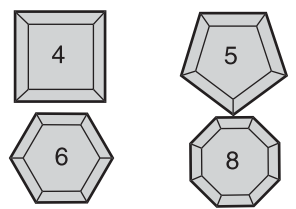


FIG 28

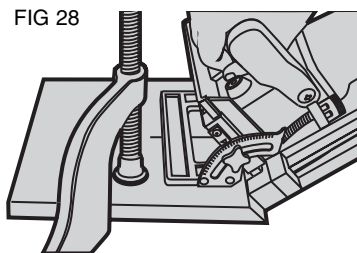


FIG 29

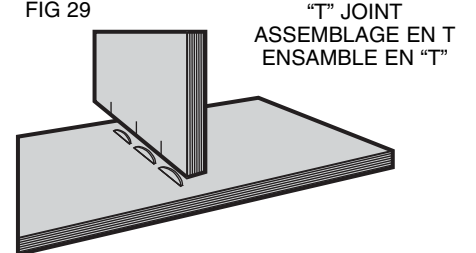


FIG 30

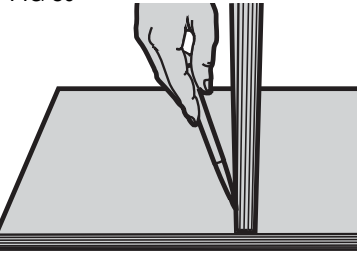


FIG 31

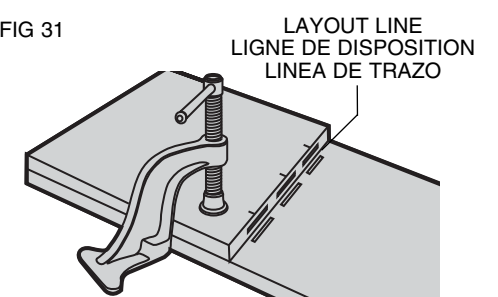


FIG 32

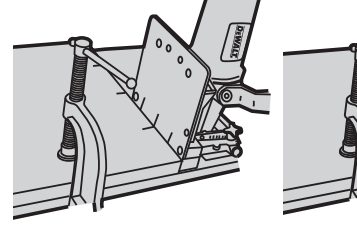


FIG 33



DW682 PLATE JOINER  
SER.

**⚠ DANGER** KEEP HANDS AWAY FROM BLADE  
**⚠ WARNING** Avertissement  
FOR SAFE OPERATION, READ INSTRUCTION MANUAL. ALWAYS USE PROPER EYE AND RESPIRATORY PROTECTION. CHECK GUARD OPERATION BEFORE USE. WHEN SERVICING, USE ONLY IDENTICAL REPLACEMENT PARTS. DOUBLE INSULATED. A TIRE PREVENTS USE. LE GUIDE.  
DEWALT INDUSTRIAL TOOL CO., BALTIMORE, MD 21286 U.S.A.  
FOR SERVICE INFORMATION, CALL 1-800-4-DEWALT www.dewalt.com



## Repairs

To assure product SAFETY and RELIABILITY, repairs, maintenance and adjustments (including brush inspection and replacement) should be performed by a DEWALT factory service center, a DEWALT authorized service center or other qualified service personnel. Always use identical replacement parts.

### Three Year Limited Warranty

DEWALT will repair, without charge, any defects due to faulty materials or workmanship for three years from the date of purchase. This warranty does not cover part failure due to normal wear or tool abuse. For further detail of warranty coverage and warranty repair information, visit www.dewalt.com or call 1-800-4-DEWALT (1-800-433-9258). This warranty does not apply to accessories or damage caused where repairs have been made or attempted by others. This warranty gives you specific legal rights and you may have other rights which vary in certain states or provinces.

In addition to the warranty, DEWALT tools are covered by our:

#### 1 YEAR FREE SERVICE

DEWALT will maintain the tool and replace worn parts caused by normal use, for free, any time during the first year after purchase.

#### 90 DAY MONEY BACK GUARANTEE

If you are not completely satisfied with the performance of your DEWALT Power Tool, Laser, or Nailer for any reason, you can return it within 90 days from the date of purchase with a receipt for a full refund – no questions asked.

**LATIN AMERICA:** This warranty does not apply to products sold in Latin America. For products sold in Latin America, see country specific warranty information contained either in the packaging, call the local company or see website for warranty information.

**FREE WARNING LABEL REPLACEMENT:** If your warning labels (Fig. 33) become illegible or are missing, call 1-800-4-DEWALT (1-800-433-9258) for a free replacement.

### Définitions : lignes directrices en matière de sécurité

Les définitions ci-dessous décrivent le niveau de danger pour chaque mot-indicateur employé. Veuillez lire le mode d'emploi et porter une attention particulière à ces symboles.

**▲DANGER :** indique une situation dangereuse imminente qui, si elle n'est pas évitée, **causera la mort ou des blessures graves.**

**▲AVERTISSEMENT :** indique une situation potentiellement dangereuse qui, si elle n'est pas évitée, **pourrait se solder par un décès ou des blessures graves.**

**▲ATTENTION :** indique une situation potentiellement dangereuse qui, si elle n'est pas évitée **pourrait se solder par des blessures mineures ou modérées.**

**AVIS :** indique une pratique ne posant **aucun risque de dommages corporels** mais qui par contre, si rien n'est fait pour l'éviter, **pourrait poser des risques de dommages matériels.**

POUR TOUTE QUESTION OU REMARQUE AU SUJET DE CET OUTIL OU DE TOUT AUTRE OUTIL DEWALT, COMPOSER LE NUMÉRO SANS FRAIS : **1 800 4-DEWALT (1 800 433-9258)**

### Directives de sécurité d'ordre général

**▲AVERTISSEMENT!** *S'assurer de lire et de bien comprendre toutes les directives. Le non-respect des directives décrites ci-après pourrait être la cause de chocs électriques, d'incendies et/ou de blessures graves.*

## CONSERVER CES DIRECTIVES

#### AIRE DE TRAVAIL

- L'aire de travail doit être propre et bien éclairée.** Les établis encombrés et le manque de lumière peuvent entraîner des accidents.*
- Ne pas faire fonctionner des outils électriques dans des atmosphères explosives, comme en présence de liquides, de gaz et de poussières inflammables.** Les outils électriques produisent des étincelles qui peuvent enflammer la poussière ou les vapeurs.*
- Tenir les spectateurs, les enfants et les visiteurs à l'écart lorsqu'on utilise l'outil.** Les distractions peuvent entraîner une perte de maîtrise.*

#### RÈGLES DE SÉCURITÉ RELATIVES À L'ÉLECTRICITÉ

- Les outils mis à la terre doivent être branchés dans une prise correctement installée et mise à la terre tel que l'indiquent les codes et règlements en vigueur. Ne jamais retirer la broche de mise à la terre ou modifier la prise en aucune façon. Ne pas utiliser de fiche d'adaptation. Consulter un électricien qualifié s'il y a un doute en ce qui concerne la mise à la terre de la prise.** En cas de mauvais fonctionnement ou de bris des outils, la mise à la terre offre un chemin de faible résistance afin d'empêcher l'électrocution de l'utilisateur. **S'applique uniquement aux outils de classe I (mis à la terre).***
- Les outils à double isolation sont pourvus d'une fiche polarisée (une lame est plus large que l'autre). Cette fiche ne peut être branchée dans une prise polarisée que dans un seul sens. Si la fiche ne peut être branchée dans la prise, inverser la fiche. Si on n'arrive pas à la brancher, communiquer avec un électricien qualifié afin qu'il installe une prise polarisée. Ne pas modifier la fiche.** La double isolation ☐ élimine le besoin du système de rallonge d'alimentation à trois fils et de bloc d'alimentation avec mise à la terre. **S'applique uniquement aux outils de classe II (à double isolation).***
- Éviter tout contact corporel avec des surfaces mises à la terre, comme des tuyaux, des radiateurs, des cuisinières et des réfrigérateurs.** Le risque de choc électrique augmente si le corps est mis à la terre.*
- Ne pas exposer les outils électriques à la pluie ou à l'eau.** L'infiltration d'eau dans un outil électrique augmente le risque de choc électrique.*
- Manipuler le cordon avec soin. Ne jamais s'en servir pour transporter l'outil ou pour tirer la fiche hors de la prise.** Tenir le cordon à l'écart de la chaleur, de l'huile, des arêtes vives ou des pièces mobiles. Remplacer immédiatement les cordons endommagés, car ils augmentent le risque de choc électrique.*
- Lorsqu'on utilise un outil électrique à l'extérieur, il faut employer une rallongeportant l'inscription “W-A” ou “W.”** Ces rallonges sont conçues pour l'utilisation à l'extérieur et réduisent le risque de choc électrique. S'il y a lieu d'utiliser une rallonge, s'assurer que celle-ci est de calibre suffisamment élevé pour acheminer le courant nécessaire au fonctionnement de l'outil. Une rallonge de calibre trop faible pourrait causer une chute de tension se traduisant par une perte de courant et une surchauffe. Le tableau qui suit indique le calibre approprié selon la longueur de la rallonge et l'intensité indiquée sur la plaque signalétique. En cas de doute, utiliser le calibre supérieur suivant. Plus le numéro de calibre est petit, plus le calibre de la rallonge est élevé.*

Calibre minimum pour rallonge							
Intensité nominale		Volts	Longueur totale du cordon en mètres (en pieds)				
			120V	7,6 (25)	15,2 (50)	30,5 (100)	45,7 (150)
			240V	15,2 (50)	30,5 (100)	61,0 (200)	91,4 (300)
Plus de	Pas plus de	AWG					
0	6		5,5 (18)	4,9 (16)	4,9 (16)	4,3 (14)	
6	10		5,5 (18)	4,9 (16)	4,3 (14)	3,7 (12)	
10	12		4,9 (16)	4,9 (16)	4,3 (14)	3,7 (12)	
12	16		4,3 (14)	3,7 (12)	Non recommandé		

#### SÉCURITÉ PERSONNELLE

- Demeurer alerte, prêter attention à ce que l'on fait et faire preuve de bons sens lorsqu'on utilise un outil électrique. Ne pas utiliser un outil lorsqu'on ressent de lafatigue ou après avoir consommé des drogues, de l'alcool, ou des médicaments.** Un moment d'inattention durant l'utilisation d'outils électriques peut entraîner de graves blessures.*
- Porter des vêtements appropriés. Ne pas porter des vêtements amples ou des bijoux. Les cheveux longs doivent être retenus. Tenir les cheveux, les vêtements et les gants à l'écart des pièces mobiles.** Les vêtements amples, les bijoux et les cheveux longs peuvent être happés par des pièces mobiles. Il faut également se tenir à l'écart des événements qui recouvrent souvent les pièces mobiles.*
- Éviter le démarrage accidentel. S'assurer que l'interrupteur est en position d'arrêt avant de brancher l'outil.** Le fait de transporter un outil en appuyant sur la gâchette ou de le brancher lorsque l'interrupteur se trouve en position de marche peut causer des accidents.*
- Déposer les clés de réglage ou de serrage avant de mettre l'outil en marche.** Une clé laissée fixée à une pièce rotative de l'outil peut entraîner des blessures.*
- Ne pas tendre le bras trop loin. Il faut demeurer en équilibre en tout temps.** Un bon équilibre permet une meilleure maîtrise de l'outil dans les situations inattendues.*
- Utiliser du matériel de sécurité. Toujours porter des lunettes de protection.** Il faut utiliser, au besoin, un masque antipoussières, des chaussures de sécurité antidérapantes, un casque de sécurité ou des protecteurs d'oreilles.*

#### UTILISATION DES OUTILS ET PRÉCAUTIONS

- Utiliser des pinces ou un autre moyen pratique de fixer et de soutenir la pièce à travailler sur une plateforme stable.** Le fait de tenir la pièce avec la main ou de l'appuyer contre le corps ne permet pas de la stabiliser et cela risque de causer une perte de maîtrise.*
- Ne pas forcer l'outil. Utiliser celui qui convient au travail à effectuer.** L'outil adéquat permet de faire le travail de façon plus convenable et sûre lorsqu'il est employé suivant l'utilisation pour laquelle il a été conçu.*
- Ne pas utiliser l'outil si l'interrupteur ne permet pas de le mettre sous ou hors tension.** Tout outil impossible à commander au moyen de l'interrupteur est dangereux et doit être réparé.*
- Débrancher la fiche de la source d'alimentation avant d'effectuer des réglages, de changer d'accessoire ou de ranger l'outil.** De telles mesures préventives réduisent le risque de le mettre en marche accidentellement.*
- Ranger les outils hors de la portée des enfants et des autres personnes non qualifiées.** Les outils sont dangereux entre les mains d'utilisateurs non qualifiés.*
- Veiller à entretenir correctement les outils. Les accessoires de coupe doivent être maintenus bien affûtés et propres.** Des outils bien entretenus, et dont les arêtes sont coupantes, sont moins susceptibles de se coincer et sont plus faciles à manier.*
- Vérifier la présence de pièces mobiles mal alignées ou coincées, de pièces brisées ou de toute autre condition pouvant altérer le fonctionnement de l'outil. Si l'outil***

***est endommagé, il faut le faire réparer avant de l'utiliser.** De nombreux accidents sont causés par des outils mal entretenus.*

- Utiliser seulement des accessoires recommandés par le fabricant du modèle.** Des accessoires convenant à un outil peuvent être dangereux lorsqu'on les installe sur un autre outil.*

#### RÉPARATION

- Seules des personnes qualifiées peuvent réparer les outils.** Une réparation ou un entretien effectué par une personne non qualifiée risque d'entraîner des blessures.*

- Il faut utiliser uniquement des pièces de rechange identiques pour réparer un outil. Suivre les directives figurant dans la section Entretien du présent manuel.** L'emploi de pièces inadéquates ou le non-respect des directives d'entretien peut provoquer un choc électrique ou des blessures.*

### Règles de sécurité particulières

- Tenir l'outil par les surfaces de saisie isolées pour les travaux où l'outil de coupe risque de toucher à des fils dissimulés.** Tout contact avec un fil “sous tension” provoquera “l'électrisation” des parties métalliques exposées et l'électrocution de l'utilisateur.*

**▲AVERTISSEMENT :** *Pendant l'utilisation, porter systématiquement une protection auditive individuelle adéquate homologuée ANSI S12.6 (S3.19). Sous certaines conditions et suivant la longueur d'utilisation, le bruit émanant de ce produit pourrait contribuer à une perte de l'acuité auditive.*

**▲AVERTISSEMENT :** *Certains outils, tels que les sableuses électriques, les scies, les meules, les perceuses ou certains autres outils de construction, peuvent soulever de la poussière contenant des produits chimiques susceptibles d'entraîner le cancer, des malformations congénitales ou pouvant être nocifs pour le système reproductif. Parmi ces produits chimiques, on retrouve :*

- le plomb dans les peintures à base de plomb;*
- la silice cristalline dans les briques et le ciment et autres produits de maçonnerie;*
- l'arsenic et le chrome dans le bois de sciage ayant subi un traitement chimique (CCA).*

*Le risque associé à de telles expositions peut varier selon la fréquence avec laquelle on effectue ces travaux. Pour réduire l'exposition à de tels produits, il faut travailler dans un endroit bien ventilé et utiliser l'équipement de sécurité approprié tel un masque anti-poussières spécialement conçu pour filtrer les particules microscopiques.*

- Éviter tout contact prolongé avec la poussière soulevée par cet outil ou autres outils électriques. Porter des vêtements de protection et nettoyer les parties exposées du corps avec de l'eau savonneuse.** S'assurer de bien se protéger afin d'éviter d'absorber par la bouche, les yeux ou la peau des produits chimiques nocifs.*

**▲AVERTISSEMENT :** *Cet outil peut produire et répandre de la poussière susceptible de causer des dommages sérieux et permanents au système respiratoire. Toujours utiliser un appareil respiratoire anti-poussières approuvé par le NIOSH ou l'OSHA. Diriger les particules dans le sens opposé du visage et du corps.*

- L'étiquette apposée sur votre outil peut comprendre les symboles suivants. Les symboles et leurs définitions sont indiqués ci-après :*

<i>V.....volts</i>	<i>A .....ampères</i>
<i>Hz.....hertz</i>	<i>W .....watts</i>
<i>min .....minutes</i>	<i>~ .....courant alternatif</i>
<i>==== .....courant continu</i>	<i>no.....vitesse à vide</i>
<span><span>☐</span></span> .....Construction de classe II	<span><span>⊕</span></span> .....borne de terre
<b>▲</b> .....symbole d'alerte à la sécurité	<i>.../min.....révolutions par minute</i>

## CONSERVER CES MESURES

### Introduction

Prendre le temps d'examiner la figure 1 et la jointeuse à biscuits afin de se familiariser avec les différentes fonctions de l'outil et leur appellation. Les rubriques suivantes décrivent les diverses commandes de l'outil et il est important de savoir où elles se trouvent.

### Généralités

Il s'agit d'un outil de menuiserie de précision. La jointeuse à biscuits permet à l'utilisateur de façonner des joints extrêmement solides et précis dans des pièces de bois ou de sous-produits de bois.

L'outil utilise un mouvement plongeant pour découper avec précision des fentes ayant la forme de croissants dans lesquelles on insère des chevilles ou biscuits plats en bois semblables à ceux illustrés à la figure 2.

Les nombreux dispositifs de réglage du socle-guide breveté permet de façonner pratiquement tous les types de joints à biscuits imaginables. En outre, on peut optimiser le rendement de l'outil en l'utilisant avec d'autres appareils. La figure 3 montre les types de joints les plus communs qui sont décrits par la suite dans le présent guide.

### Interrupteur

La jointeuse à biscuits est munie d'un interrupteur à détente qui se trouve sur la face inférieure de la poignée, comme le montre la figure 1. Pour mettre l'outil en marche, enfoncer l'interrupteur à détente; pour le mettre hors circuit, relâcher l'interrupteur à détente. Pour verrouiller l'outil en mode de fonctionnement continu, il existe un bouton de verrouillage qui se trouve à l'arrière de la jointeuse, au-dessus du cordon d'alimentation. Lorsqu'on se sert de la jointeuse, il faut toujours en saisir la poignée d'une main et de l'autre, saisir la poignée auxiliaire. Pour verrouiller l'outil en marche, il suffit d'enfoncer simultanément l'interrupteur à détente et le bouton de verrouillage, puis de relâcher lentement l'interrupteur. L'outil reste alors en marche. Pour libérer le mécanisme de verrouillage, appuyer à fond sur l'interrupteur à détente et le relâcher.

### Remplacement de la lame

La lame s'use à la longue et il faut éventuellement la remplacer. Pour l'enlever, respecter les directives suivantes.

- Mettre l'outil hors tension et le débrancher.
- Retirer les quatre vis à tête à six lobes (Torxmc) qui se trouvent sous le patin à l'aide du tournevis à pointe à six lobes n° T20 fourni.
- Faire tourner le patin de façon à avoir accès aux autres composants de l'outil.
- Utiliser la clé d'exploration fournie pour desserrer (dans le sens antihoraire) l'écrou de la lame. Enfoncer la tige de verrouillage de l'arbre qui se trouve sur le dessus du boîtier d'engrenages afin de retenir l'arbre lorsqu'on dévisse l'écrou.
- Enlever la lame et la faire affûter ou la remplacer.
- Réinstaller la lame en répétant les étapes précédentes dans l'ordre inverse. S'assurer que les dents de la lame vont dans le sens antihoraire, comme l'illustre la figure 4.
- IMPORTANT :** Toujours vérifier la précision du réglage de la profondeur après avoir affûté ou remplacé une lame. Régler de nouveau, au besoin (consulter la rubrique «Commandes» à ce sujet).

### Commandes

Le socle-guide constitue le cœur de la jointeuse à biscuits. En effet, toutes les commandes qui permettent d'effectuer une vaste gamme de joints s'y trouvent. Prendre le temps de se familiariser avec les différentes commandes.

TOUJOURS METTRE L'OUTIL HORS TENSION ET LE DÉBRANCHER AVANT DE LE RÉGLER.

#### 1. RÉGLAGE DU GUIDE

Le guide réglable procure une surface de référence précise et robuste afin de déterminer l'emplacement exact de la coupe des fentes pour les biscuits. La commande de réglage de la hauteur du guide permet de placer les fentes des biscuits à une distance variant entre 4,76 mm (3/16 po) et 35 mm (1 3/8 po) entre la surface de la pièce à ouvrir et le centre de la lame (voir la figure 6). Une autre commande permet de régler l'angle entre 0 et 90°, ainsi qu'à 45° en biseau inversé afin de faire coïncider l'extérieur des joints en biseau (consulter la rubrique sur les joints en biseau, figure 26).

Pour régler la hauteur, il faut d'abord relâcher le bouton de verrouillage qui se trouve du côté droit du guide, puis faire tourner le bouton de réglage moleté jusqu'à l'obtention de la hauteur voulue (figure 5).

Lorsqu'on resserre le bouton de verrouillage, on aligne automatiquement le guide parallèlement à la lame et on le bloque en place. L'échelle verticale et l'indicateur qui se trouvent directement sous le bouton de verrouillage servent également à régler la hauteur. L'échelle montre la distance entre le centre de la lame et la surface du guide lorsque le guide se trouve à un angle de 90° par rapport à la lame (figure 6). L'angle du guide se règle de façon toute simple en desserrant le bouton de verrouillage, qui se trouve du côté gauche de l'outil, en alignant l'indicateur sur l'angle voulu du rapporteur et en resserrant le bouton de verrouillage.

#### 2. RÉGLAGE DE LA PROFONDEUR

On peut régler la profondeur de coupe afin qu'elle corresponde aux dimensions des biscuits utilisés. Les chiffres qui apparaissent sur le bouton de réglage de la profondeur (0, 10, 20, M) correspondent aux trois dimensions de biscuits illustrés à la figure 2. La lettre «M» indique la profondeur maximale de l'outil, soit 20 mm (25/32 po). On peut seulement obtenir cette profondeur en utilisant une lame neuve et en retirant la vis de réglage de précision (lire la prochaine rubrique).

**NOTE:** Le réglage «M» a été indiqué en vue de possibilités d'utilisations à venir et il ne sert pas actuellement dans la plupart des applications de l'outil. Pour choisir une profondeur, aligner le chiffre approprié sur la marque rouge de l'outil, comme le montre la figure 7. Faire tourner le bouton de réglage de la profondeur jusqu'à l'emplacement voulu et il s'enclenchera en place.

#### 3. RÉGLAGE DE PRÉCISION

On veut parfois que le joint soit légèrement lâche de sorte qu'on puisse le déplacer avant que la colle ne sèche. Dans cette éventualité, on se sert du réglage de précision. Pour s'en servir, il faut d'abord soulever au maximum le guide réglable. Puis, il faut insérer la lame du clé à pointe à six lobes T20 fourni dans l'ouverture illustrée à la figure 8. Faire tourner le dispositif de réglage dans le sens horaire jusqu'à l'obtention d'une profondeur inférieure ou dans le sens antihoraire jusqu'à l'obtention d'une profondeur supérieure. Chaque tour complet correspond a une augmentation de 1 mm (0,4 po) de la profondeur. Toujours vérifier le réglage de la profondeur en faisant des coupes d'essai au préalable dans des pièces de bois inutiles.

#### 4. TIGES ANTIDÉRAPAGE

Les jointeuses à biscuits ont tendance à glisser vers la droite sur la pièce à ouvrir lors de la coupe. Cette tendance augmente lorsque la lame est émoussée ou lorsque l'outil plonge très rapidement dans la pièce. L'outil est donc pourvu de tiges antidérapage qui minimise cette tendance. Ces tiges se trouvent à l'avant de la surface de contact, de chaque côté de la fente de la lame. Dans certains cas, il est préférable de retirer ces tiges afin de ne pas égratigner la pièce à ouvrir. Il suffit alors de faire tourner les tiges d'environ 1/16 de tour et elles glissent sous le devant de la surface de contact. On peut se servir d'une lame de tournevis plate pour faire tourner les tiges, comme le montre la figure 9.

#### 5. SURFACE DE CONTACT INFÉRIEURE

Dans certains cas, il est préférable d'utiliser la surface de contact inférieure de la jointeuse pour l'alignement. Il faut alors régler le guide à 0°, peu importe sa hauteur. Cette surface sert surtout pour le façonnage d'assemblages en T (consulter la rubrique



sur les assemblages en T). La distance entre le centre de la lame et le dessous de la surface de contact est réglée à 9,5 mm (3/8 po) ce qui permet de centrer sur une pièce d'une épaisseur de 19 mm (3/4 po). Les marques sur le dessous de la surface de contact indiquent le centre (ou le point le plus profond) de la coupe du biscuit et la largeur approximative d'un biscuit n° 20 afin de savoir où se trouve l'arête de la lame et d'éviter le perçage. Pour ne pas percer la pièce à ouvrir, placer le patin de sorte qu'aucune des marques extérieures ne dépasse la pièce à ouvrir. Le cas échéant, il est fort probable que la lame percera la surface et ruinera le travail.

#### 6. DÉPOUSSIÉRAGE

La jointeuse à biscuits offre les trois options suivantes de dépeussièrement.

A. Coude d'évacuation réglable (figure 10)

Cet accessoire s'insère dans l'orifice de dépeussièrement, qui se trouve du côté droit à l'arrière du socle-guide. Il suffit de l'enclencher en place. Pour l'enlever, le tirer fermement. Le coude réglable se tourne facilement dans la direction voulue afin de diriger le jet de poussière dans le sens le plus pratique.

B. Adaptateur (figure 11)

Cet accessoire, qui s'insère dans l'outil de la même façon que l'accessoire décrit précédemment, se rattache à plusieurs types communs de boyaux d'aspirateur afin d'amasser immédiatement la poussière.

C. Sac à poussière (figure 12)

Le sac à poussière fourni se fixe commodément sur l'adaptateur décrit précédemment. Pour vider le sac, il suffit d'ouvrir la fermeture-éclair qui se trouve sous le sac et de vider ce dernier.

**NOTE:** Lorsque le sac est plein, la poussière s'accumule dans l'adaptateur et dans l'orifice de dépeussièrement. Pour nettoyer l'outil, il faut d'abord le mettre hors tension et le débrancher, puis retirer la poussière accumulée. Le sac accumule la poussière produite par la coupe d'environ 70 à 100 biscuits n° 20.

## Fonctionnement

Les jointeuses à biscuits servent essentiellement à la fabrication de meubles, à l'assemblage de travaux de menuiserie et à toute autre tâche nécessitant un assemblage précis de pièces de bois ou de sous-produits de bois. La jointeuse à biscuits peut façonner des centaines de types de joints. Le présent guide ne traite que de six joints de base à partir desquels l'utilisateur peut adapter un joint de son cru pour une application particulière. Voici donc les étapes fondamentales de préparation pour tous les types de joints.

#### 1. CHOIX DE LA DIMENSION DU BISCUIT

Comme il a été mentionné précédemment, il existe trois dimensions de biscuits : 0, 10 et 20. Il est conseillé de choisir le biscuit le plus large possible pour l'application. À moins d'assembler des pièces à face étroites, des cadres ou des pièces d'une épaisseur de moins de 1/2 po, les biscuits n° 20 conviennent à la plupart des applications. Après avoir choisi la dimension du biscuit, ajuster le bouton de réglage de la profondeur à la dimension appropriée (voir la rubrique « Commandes »). De plus, s'assurer que le réglage de précision convient en faisant un essai dans une pièce de bois inutile. Cette mesure est des plus importantes car il n'est pas agréable de découvrir au moment de l'assemblage que le joint n'est pas suffisamment profond.

#### 2. EMPLACEMENT ET DISPOSITION DES BISCUITS

Habituellement, l'utilisateur espace et place les biscuits à son gré. Dans les cas des assemblages en about, il est préférable de les espacer d'environ 15 cm à 25 cm (6 à 10 po) au centre. Il est également conseillé de placer les biscuits de sorte que le centre de l'extrémité des biscuits se trouve entre 50 mm et 75 mm (2 et 3 po) de l'extrémité de la pièce. Lors de l'assemblage de cadres (où la pièce est étroite), il peut être préférable de choisir des biscuits de dimensions moindres afin d'éviter de percer la pièce au bout du joint. Il vaut mieux éviter de percer la pièce dans la mesure du possible. Le cas échéant, découper le bout du biscuit qui dépasse lorsque la colle est sèche (figure 13). Dans des matériaux d'une épaisseur maximale de 25 mm (1 po), il est conseillé d'utiliser un seul biscuit situé environ au centre de l'épaisseur du matériau. Lorsque le matériau est plus épais, on peut utiliser deux biscuits dans l'épaisseur de la pièce afin de renforcer le joint (figure 14). On marque l'emplacement des biscuits en plaçant d'abord les pièces exactement de la façon dont elles seront assemblées. Puis, tracer une marque à 90° sur les deux pièces à l'emplacement du biscuit (figure 15). Consulter la rubrique relative aux applications afin d'obtenir de plus amples renseignements sur la disposition des joints. Les marques tracées sont ensuite alignées sur celle du centre de la surface de contact de l'outil, ou en fonction de l'application.

#### 3. COUPE

Avant d'effectuer une coupe, s'assurer que le guide est réglé et que les boutons de verrouillage sont bien serrés. De plus, vérifier si le réglage de la profondeur est approprié. Bien fixer la pièce à ouvrir et aligner la marque du centre de la surface de contact de l'outil sur la marque de la disposition. Mettre l'outil en marche et attendre que la lame atteigne son plein régime (environ une seconde). Saisir l'outil par la poignée de l'interrupteur et la poignée auxiliaire, placer le guide fermement et tout contre la pièce à ouvrir, puis enfoncer la lame jusqu'à ce qu'elle rencontre les butées. Tout en tenant fermement l'outil, attendre que le ressort fasse sortir la lame de la pièce, puis relâcher l'interrupteur. Il faut pratiquer à quelques reprises avant de maîtriser le fonctionnement de la jointeuse. Utiliser des pièces de bois inutiles à cet effet.

#### 4. ASSEMBLAGE

Lorsque les joints sont faits, il faut faire un essai d'assemblage sans colle. Lorsque le travail est satisfaisant, on peut enduire les fentes et les surfaces correspondantes des pièces d'une quantité uniforme de colle à bois de bonne qualité. Insérer les biscuits dans les fentes, assembler le joint et fixer l'assemblage dans un étai jusqu'à ce que la colle soit sèche. Pour optimiser les résultats, il faut que les biscuits soient imbibés de colle. En effet, ceux-ci en absorbent l'humidité et se gonflent pour former un joint étanche.

## Applications

#### 1. ASSEMBLAGE EN ABOUT (Figure 16)

- Il s'agit du type de joint le plus simple et le plus commun fabriqué à l'aide de la jointeuse. Il suffit de respecter les étapes suivantes.
  - Préparer les pièces et les placer sur une surface de travail exactement de la façon dont elles seront assemblées.
  - Espacer les biscuits entre 5 mm et 7,5 mm (2 et 3 po) des extrémités et de 15 mm à 25 mm (6 à 10 po) les uns des autres et marquer la disposition des centres des biscuits.
  - Préparer le jointeur en réglant d'abord la profondeur voulue. Régler le guide à 90°. Régler la hauteur afin de placer le biscuit le plus près possible du centre de la pièce.
  - Fixer la pièce et placer l'outil de sorte que la marque du centre s'aligne sur la première marque de la pièce (figure 17). Mettre l'outil en marche et faire une coupe plongeante. Retirer l'outil et relâcher la détente pour arrêter l'outil. Répéter à chacune des marques sur la pièce.
  - Enduire de colle, assembler et fixer le joint à l'aide d'un étai.
  - Dans le cas des pièces de plus de 25 mm (1 po) d'épaisseur, il est préférable d'utiliser deux biscuits à chaque emplacement. Régler la hauteur de façon à laisser environ 5 mm (3/16 po) entre le biscuit et le rebord de la pièce. Faire toutes les coupes à ce réglage avant de régler de nouveau le guide pour les coupes inférieures. De nouveau, il devrait y avoir une distance d'au moins 5 mm (3/16 po) entre le biscuit et le rebord de la pièce, ainsi qu'entre les biscuits (figure 18).

#### 2. ASSEMBLAGE POUR CADRES (Figure 19)

- La jointeuse à biscuits convient parfaitement pour l'assemblage de cadres. En effet, il réalise des joints solides et précis plus faciles à créer que les joints à l'aide de chevilles ou ceux à tenon et mortaise. La figure 19 illustre deux types de joints pour cadres. Voici les étapes à suivre.
  - Placer les pièces sur une surface de travail plate exactement de la façon dont elles seront assemblées.
  - Choisir la dimension appropriée de biscuit selon la longueur du joint. (Lorsque le cadre est trop étroit pour un biscuit n° 0, il faut laisser saillir le biscuit et le découper lorsque le joint est sec. Voir la figure 13.)
  - Marquer l'emplacement des biscuits.
  - Préparer l'outil en choisissant la profondeur correspondant à la dimension des biscuits. Verrouiller le guide à 90° et en régler la hauteur de façon à centrer le biscuit dans l'épaisseur de la pièce.
  - Fixer la pièce et placer la jointeuse pour faire la première coupe (figure 20).
  - Mettre l'outil en marche et faire une coupe plongeante.
  - Répéter à chacune des marques sur la pièce.
  - Enduire de colle, assembler et fixer le cadre.

#### 3. ASSEMBLAGE À EMBOÎTEMENT (Figure 21)

- La jointeuse à biscuits fait d'excellents assemblages à emboîtement. Faire comme suit.
  - Placer les pièces exactement de la façon dont elles seront assemblées.
  - Choisir la dimension appropriée de biscuit et l'emplacement du joint.
  - Préparer l'outil en choisissant la profondeur appropriée, en réglant le guide de façon à centrer le biscuit dans l'épaisseur de la pièce et en régler l'angle à 90°.
  - Pour ce type de joints, il faut découper l'about d'une pièce et la face de l'autre. La coupe de l'about se fait de la façon décrite pour l'assemblage en about. La coupe de la face se fait en fixant la pièce et en plaçant l'outil de la façon illustrée à la figure 22. Mettre l'outil en marche et faire une coupe plongeante. Répéter à chacune des marques sur la pièce.
  - Enduire de colle, assembler et fixer le joint.
- JOINTS DÉCENTRÉS (Figure 23)**

Il est parfois nécessaire de décentrer les joints entre deux pièces. La jointeuse le fait facilement comme suit.

  - Placer les pièces exactement de la façon dont elles seront assemblées et marquer l'emplacement des biscuits.
  - Préparer l'outil en choisissant la dimension appropriée de biscuit et en réglant le guide à 90°. Choisir la pièce qui reçoit le joint et régler la hauteur du guide de façon à centrer le biscuit dans l'épaisseur de la pièce.
  - Fixer la pièce, placer la jointeuse et faire la coupe plongeante.
  - Puis, régler le guide afin de faire le joint décentré. Se servir de l'échelle et de l'indicateur qui se trouvent du côté droit de l'outil sous le bouton de verrouillage du guide.
  - Fixer la deuxième pièce, placer l'outil et faire la coupe plongeante.
  - Enduire de colle, assembler et fixer le joint.

#### 5. JOINTS EN BISEAU (Figure 24)

Ce type de joints sert surtout à assembler des boîtes ou pour faire des socles à nombreux côtés dont on veut camoufler le grain à l'extrémité. La jointeuse à biscuits permet encore de solidifier le joint et d'en simplifier l'assemblage. Faire ce qui suit pour assembler un joint à 90°.

- Placer les pièces exactement de la façon dont elles seront assemblées et marquer l'emplacement des biscuits sur la face extérieure du joint.
- Préparer l'outil en réglant d'abord le guide à 90°. Le régler de sorte que le biscuit se trouve vers l'intérieur du joint (où le matériau est épais), puis choisir la dimension de biscuit de sorte que la lame ne perce pas le matériau pendant la coupe (figure 25).

C. Fixer la pièce et placer le jointeur de la façon illustrée à la figure 26.

- Mettre l'outil en marche et faire une coupe plongeante.
- Enduire de colle, assembler et fixer le joint.
- Pour des joints autres qu'à angle de 90°, voir la colonne de la surface de contact extérieure à la figure 27 pour choisir le réglage approprié pour l'angle.

La méthode précédente permet d'aligner les surfaces extérieures d'un joint. Pour en aligner les surfaces intérieures, utiliser la méthode suivante pour un joint à 90°.

- Placer les pièces exactement de la façon dont elles seront assemblées.
- Marquer l'emplacement des biscuits sur la face intérieure du joint.
- Préparer l'outil en réglant le guide à 45°. Utiliser le réglage vertical du guide de sorte que le biscuit se trouve vers l'intérieur du joint (où le matériau est épais). Choisir la dimension de biscuit de sorte que la lame ne perce pas le matériau pendant la coupe.
- Fixer la pièce et placer le jointeur de la façon illustrée à la figure 28.
- Faire la coupe plongeante et répéter pour chacun des biscuits.
- Enduire de colle, assembler et fixer le joint.
- Pour des joints autres qu'à angle de 90°, voir la colonne de la surface de contact intérieure à la figure 27 pour choisir le réglage approprié pour l'angle.

#### 6. ASSEMBLAGE EN T (Figure 29)

On peut se servir de la jointeuse au lieu d'une dégauchisseuse pour faire un assemblage en T. Ceux-ci servent surtout à retenir des tablettes aux côtés d'une boîte. La méthode suivante convient si l'épaisseur minimale du matériau est de 16 mm (5/8 po).

- Placer les pièces sur une surface de travail exactement de la façon dont elles seront assemblées de façon à former un « T » renversé. Indiquer légèrement le long du joint l'emplacement du dessus de la tablette (figure 30). Marquer l'emplacement des biscuits sur la tablette seulement.
- Placer la tablette sur la pièce correspondante. Fixer les deux pièces ensemble sur la surface de travail (figure 31).
- Préparer l'outil en choisissant la dimension appropriée de biscuit et en réglant le guide à 0°.
- Utiliser le surface de contact inférieure, placer l'outil sur l'emplacement du biscuit et faire une coupe plongeante horizontale et verticale à chacun des emplacements, comme le montre la figure 32.
- Enduire de colle, assembler et fixer le joint.

## MAINTENANCE

**▲ AVERTISSEMENT : Pour réduire tout risque de dommages corporels graves, arrêter et débrancher l'outil avant tout réglage ou avant de retirer ou installer toute pièce ou tout accessoire.**

### Entretien

**▲ AVERTISSEMENT : Expulser tout débris ou poussière des événements à l'aide d'un jet d'air sec au moins une fois par semaine. Porter une protection oculaire ANSI Z87.1 (CAN/CSA Z94.3) et respiratoire NIOSH/OSHA/MSHA adéquates pour effectuer cette opération.**

**▲ AVERTISSEMENT : Ne jamais utiliser de solvants ou tout autre produit chimique décapant pour nettoyer les parties non métalliques de l'outil. Ces produits chimiques pourraient attaquer les matériaux plastiques utilisés. Utilisez un chiffon humidifié avec de l'eau et un savon doux. S'assurer qu'aucun liquide ne pénètre dans l'outil ; ne jamais immerger aucune partie de l'outil dans un liquide.**

### Accessoires

**▲ AVERTISSEMENT : Comme les accessoires autres que ceux offerts par DEWALT n'ont pas été testés avec ce produit, leur utilisation avec cet appareil pourrait comporter un danger. Pour réduire tout risque de dommages corporels, seuls des accessoires DEWALT recommandés doivent être utilisés avec cet appareil.**

Les accessoires recommandés pour cet outil sont vendus séparément chez les distributeurs locaux ou dans les centres de réparation agréés. Si vous avez besoin d'aide pour localiser ces accessoires, veuillez contacter DEWALT Industrial Tool Co, 701 East Joppa Road, Baltimore, MD 21286 ou appeler 1-800-4-DEWALT (1-800-433-9258) ou vous rendre sur notre site [www.dewalt.com](http://www.dewalt.com).

### Balais du moteur

Les outils DEWALT comportent un système de balais de pointe qui arrête automatiquement l'outil lorsque les balais sont usés afin de ne pas endommager le moteur.

## Réparation

Pour assurer la SÉCURITÉ et la FIABILITÉ du produit, les réparations, l'entretien et les réglages (y compris l'inspection et le remplacement des balais) doivent être réalisés par un centre de réparation en usine DEWALT, un centre de réparation autorisé DEWALT ou par un personnel d'entretien qualifié. Toujours utiliser des pièces de rechange identiques.

## Garantie limitée de trois ans

DEWALT réparera, sans frais, tout produit défectueux causé par un défaut de matériel ou de fabrication pour une période de trois ans à compter de la date d'achat. La présente garantie ne couvre pas les pièces dont la défectuosité a été causée par une usure normale ou l'usage abusif de l'outil. Pour obtenir de plus amples renseignements sur les pièces ou les réparations couvertes par la présente garantie, visiter le site [www.dewalt.com](http://www.dewalt.com) ou composer le 1 800 433-9258 (1 800 4-DEWALT). Cette garantie ne s'applique pas aux accessoires et ne vise pas les dommages causés par des réparations effectuées par un tiers. Cette garantie confère des droits légaux particuliers à l'acheteur, mais celui-ci pourrait aussi bénéficier d'autres droits variant d'un état ou d'une province à l'autre.

En plus de la présente garantie, les outils DEWALT sont couverts par notre :

#### CONTRAT D'ENTRETIEN GRATUIT D'UN AN

DEWALT entretiendra l'outil et remplacera les pièces usées au cours d'une utilisation normale et ce, gratuitement, pendant une période d'un an à compter de la date d'achat, et la

#### GARANTIE DE REMBOURSEMENT DE 90 JOURS

Si l'acheteur n'est pas entièrement satisfait, pour quelque raison que ce soit, du rendement de l'outil électrique, du laser ou de la cloueuse DEWALT, celui-ci peut le retourner, accompagné d'un reçu, dans les 90 jours à compter de la date d'achat, pour obtenir un remboursement intégral, sans aucun problème.

**AMÉRIQUE LATINE :** Cette garantie ne s'applique aux produits vendus en Amérique latine. Pour ceux-ci, veuillez consulter les informations relatives à la garantie spécifique présente dans l'emballage, appeler l'entreprise locale ou consulter le site Web pour les informations relatives à cette garantie.

**REMPACEMENT GRATUIT DES ÉTIQUETTES D'AVERTISSEMENT :** Si les étiquettes d'avertissement (Fig. 33) deviennent illisibles ou sont manquantes, composer le 1-800-4-DEWALT (1-800-433-9258) pour en obtenir le remplacement gratuit.

<p><b>Definiciones: Normas de seguridad</b></p>
<p>Las siguientes definiciones describen el nivel de gravedad de cada palabra de señal. Lea el manual y preste atención a estos símbolos.</p> <p><b>▲PELIGRO:</b> <i>indica una situación de peligro inminente que, si no se evita, provocará la muerte o lesiones graves.</i></p> <p><b>▲ADVERTENCIA:</b> <i>indica una situación de peligro potencial que, si no se evita, podría provocar la muerte o lesiones graves.</i></p> <p><b>▲ATENCIÓN:</b> <i>indica una situación de peligro potencial que, si no se evita, posiblemente provocaría lesiones leves o moderadas.</i></p> <p><b>AVISO:</b> <i>se refiere a una práctica no relacionada a lesiones corporales que de no evitarse puede resultar en daños a la propiedad.</i></p>

SI TIENE ALGUNA DUDA O ALGÚN COMENTARIO SOBRE ÉSTA U OTRA HERRAMIENTA DEWALT, LLÁMENOS AL NÚMERO GRATUITO: **1-800-4-DEWALT (1-800-433-9258)**

## Instrucciones de seguridad generales

**▲ ¡ADVERTENCIA! Lea todas las instrucciones hasta comprenderlas. No ajustarse a las instrucciones siguientes puede ser causa de choque eléctrico, incendio o lesiones graves.**

## CONSERVE ESTAS INSTRUCCIONES

#### ÁREA DE TRABAJO

- Mantenga el área de trabajo limpia y bien iluminada.** Las bancadas desordenadas y las zonas oscuras propician los accidentes.
- No opere herramientas eléctricas en atmósferas explosivas, como en presencia de líquidos, gases o polvos inflamables.** Las herramientas eléctricas producen chispas que pueden originar la ignición del polvo o los vapores.
- Mientras opere una herramienta eléctrica, mantenga lejos a los observadores, niños y visitantes.** Las distracciones pueden ocasionar que pierda el control.

#### SEGURIDAD ELÉCTRICA

- Las herramientas con toma de tierra deben conectarse a un enchufe apropiadamente instalado y con conexión a tierra, de acuerdo con todas las normas y ordenanzas jurídicas. No quite la pata de conexión a tierra ni realice ninguna modificación en la clavija. No emplee adaptadores para clavijas. Si tiene alguna duda acerca de si el enchufe está correctamente conectado a tierra, consulte a un electricista cualificado. Si la herramienta presentase disfunciones eléctricas o averías, la toma de tierra ofrece una vía de baja resistencia que garantiza la seguridad del usuario. Sólo es aplicable a las herramientas de Clase I (con toma de tierra).**
- Las herramientas con doble aislamiento están equipadas con una clavija polarizada (una pata es más ancha que la otra). Esta clavija se acoplará a un enchufe polarizado de una sola manera. Si la clavija no se acopla al contacto, inviértala. Si aún así no se ajusta, comuníquese con un electricista cualificado para que instale un enchufe polarizado apropiado. Nunca cambie la clavija. El doble aislamiento ☑ elimina la necesidad de cables con tres hilos y sistemas de suministro eléctrico con conexión a tierra. Sólo es aplicable a las herramientas de Clase II (con doble aislamiento).**
- Evite el contacto del cuerpo con superficies conectadas a tierra, tales como tuberías, radiadores, registros y refrigeradores. El riesgo de choque eléctrico aumenta si su cuerpo hace tierra.**
- No exponga las herramientas eléctricas a la lluvia o a condiciones de mucha humedad. Si entra agua en una herramienta eléctrica, aumenta el riesgo de choque eléctrico.**
- No maltrate el cable. Nunca tome el cable para transportar la herramienta ni para desconectarla del enchufe. Mantenga el cable alejado de las fuentes de calor, el aceite, las orillas afiladas o las piezas en movimiento. Cambie inmediatamente los cables dañados. Los cables dañados aumentan el peligro de choque eléctrico.**



- Cuando opere una herramienta eléctrica a la intemperie, utilice una extensión marcada “W-A” o “W”.** Estas extensiones están clasificadas para uso a la intemperie y para reducir el riesgo de choque eléctrico. Al usar una extensión, asegúrese de que sea bastante resistente para llevar la corriente que su producto requerirá. Una extensión de calibre insuficiente causará una caída en la línea de voltaje dando por resultado la pérdida de energía y un sobrecalentamiento. La tabla siguiente muestra el tamaño correcto para utilizar dependiendo de la longitud de la extensión y del amperaje de la placa de identificación. En caso de duda, utilice el de mayor calibre. Cuanto más pequeño es el número del calibre, más resistente es la extensión.

Calibre mínimo para juegos de cables						
Capacidad nominal en amperios		Voltios	Largo total del cable en metros (en pies)			
		120V	15,2 (50)	30,5 (100)	45,7 (150)	
		240V	15,2 (50)	30,5 (100)	61,0 (200)	91,4 (300)
Desde	Hasta	AWG				
0	6		18	16	16	14
6	10		18	16	14	12
10	12		16	16	14	12
12	16		14	12	No recomendado	

#### SEGURIDAD PERSONAL

- Al utilizar una herramienta eléctrica, esté atento, concéntrese en lo que hace y aplí- que el sentido común. No utilice la herramienta si se encuentra fatigado o bajo la influencia de drogas, alcohol, o fármacos.** Mientras se utilizan herramientas eléctricas, basta un instante de distracción para sufrir lesiones graves.
- Lleve ropa adecuada. No utilice ropa suelta ni joyas. Recójase el cabello largo. Mantenga el cabello, la ropa y los guantes apartados de las piezas en movimiento.** Las partes móviles pueden atrapar las prendas de vestir sueltas, las joyas y el cabello. Los orificios de ventilación suelen cubrir piezas en movimiento, por lo que también se deben evitar.
- Evite puestas en marcha accidentales. Asegúrese de que el interruptor esté apa- gado antes de enchufar la máquina.** Transportar las herramientas con el dedo sobre el interruptor o enchufarlas con el interruptor encendido favorece los accidentes.
- Antes de poner en marcha la herramienta, retire las llaves de ajuste.** Una llave que se deje en una pieza giratoria de la herramienta puede provocar lesiones.
- No ponga en peligro su estabilidad. Manténgase siempre bien apoyado y equilib- rado.** Un buen apoyo y equilibrio permiten controlar mejor la herramienta si se produce algún imprevisto.
- Utilice el equipo de seguridad. Lleve siempre lentes protectores.** Cuando sea ade- cuado, también se debe usar mascarilla antipolvo, zapatos de suela antideslizante, casco o protectores auditivos.

#### USO Y CUIDADOS DE LA HERRAMIENTA

- Utilice abrazaderas u otro elemento adecuado para sujetar y apoyar la pieza de trabajo en una plataforma estable.** Sujetar la pieza con la mano o contra el cuerpo es inestable y facilita la pérdida de control.
- No fuerce la herramienta. Emplee la herramienta correcta para cada aplicación.** La herramienta correcta hace el trabajo mejor y más seguro dentro del rango para el que ha sido diseñada.
- No utilice la herramienta si el interruptor no la enciende y apaga.** Cualquier herramienta que no pueda controlarse con el interruptor es peligrosa y se debe reparar.
- Desconecte la clavija del enchufe antes de proceder a cualquier ajuste, cambiar un accesorio o guardar la herramienta.** Estas medidas de seguridad preventiva reducen el riesgo de poner en marcha la herramienta accidentalmente.
- Cuando no las utilice, guarde las herramientas fuera del alcance de los niños o de cualquier persona no capacitada.** Las herramientas son peligrosas en manos de usu- arios no capacitados.
- Cuide las herramientas. Conserve las herramientas de corte afiladas y limpias.** Unas herramientas adecuadamente cuidadas y con los bordes de corte afilados se defor- man menos y son más fáciles de controlar.
- Compruebe si las piezas móviles se desalinean o deforman, si hay alguna pieza rota y cualquier otra circunstancia que pueda afectar al funcionamiento de la máquina. Si la herramienta está dañada, hágala reparar antes de usarla.** Muchos accidentes los provocan unas herramientas mal cuidadas.
- Utilice únicamente los accesorios recomendados por el fabricante para su modelo.** Un mismo accesorio puede ser adecuado para una herramienta, pero peligroso si se usa en otra.

#### SERVICIO

- El servicio a la herramienta sólo debe realizarlo personal cualificado.** El servicio o mantenimiento realizados por personal no calificado puede dar como resultado un riesgo de lesiones.
- Al proceder al mantenimiento de una herramienta, utilice únicamente refacciones idénticas. Siga las instrucciones de la sección “Mantenimiento” de este manual.** La utilización de piezas no autorizadas, o no respetar las instrucciones de mantenimiento, puede suponer un peligró de choque eléctrico o de lesiones.

#### Normas específicas de seguridad adicionales

- Sujete la herramienta por las superficies aislantes si lleva a cabo una operación en que la herramienta puede tocar un conductor oculto.** El contacto con un conductor activo provocará que las piezas metálicas de la herramienta conduzcan electricidad y que el operador reciba una descarga eléctrica.

**⚠ADVERTENCIA:** Siempre lleve la debida protección auditiva personal en conformidad con ANSI S12.6 (S3.19) durante el uso de esta herramienta. Bajo algunas condiciones y duraciones de uso, el ruido producido por este producto puede contribuir a la pérdida auditiva.

**⚠ADVERTENCIA :** Parte del polvo creado al lijar, aserruchar, moler o perforar con máquina, así como al realizar otras actividades de la construcción, contiene substancias químicas que se sabe producen cáncer, defectos congénitos u otras afecciones reproductivas. Algunos ejemplos de esas substancias químicas son:

- plomo de pinturas a base de plomo,
- silíce cristalizado de ladrillos y cemento y otros productos de albañilería, y
- arsénico y cromo de la madera químicamente tratada (CCA).

El riesgo al contacto con estas substancias varía, según la frecuencia en que se haga este tipo de trabajo. Para reducir la exposición a esas substancias químicas: trabaje en un área bien ventilada, y trabaje con equipos de seguridad aprobados, tales como máscaras contra el polvo especialmente diseñadas para filtrar las partículas microscópicas.

- Evite el contacto prolongado con polvos originados por lijar, aserrar, esmerilar, taladrar y otras actividades constructivas. Vista ropas protectoras y lave las áreas expuestas con agua y jabón.** Permitir que el polvo se introduzca en su boca, ojos, o dejarlo sobre la piel promueve la absorción de químicos dañinos.

**⚠ADVERTENCIA:** La utilización de esta herramienta puede originar polvo o dispersarlo, lo que podría causar daños graves y permanentes al sistema respiratorio, así como otras lesiones. Siempre use protección respiratoria aprobada por NIOSH/OSHA, apropiada para su uso en condiciones de exposición al polvo. Procure que las partículas no se proyecten directamente sobre su rostro o su cuerpo.

- La etiqueta de su herramienta puede incluir los siguientes símbolos. Los símbolos y sus definiciones son las siguientes:

V..... voltios	A.....amperios
Hz..... hertz	W.....vatios
min ..... minutos	~ .....corriente alternante
==== ..... corriente directa	no.....velocidad sin carga
☐ ..... Construcción Clase II	⊕ .....terminal a tierra
⚠ ..... símbolo de alerta de seguridad	.../min.....revoluciones por minuto

## GUARDE ESTAS INSTRUCCIONES PARA FUTURAS REFERENCIAS

### Introducción

Examine la figura 1 y su ensambladora durante unos minutos para familiarizarse con los diferentes dispositivos y sus nombres. Las secciones siguientes explicarán los diferentes controles y usted deberá saber en donde se encuentran.

### Vistazo general

Usted ha adquirido una herramienta para trabajo de precisión en madera. La función de la ensambladora es permitirle hacer ensambles extremadamente resistentes y precisos en madera y productos derivados de ella.

La herramienta trabaja a base de una función de penetración para cortar con precisión las cajas para colocar lengüetas planas de madera o “lengüetas”, como las ilustradas por la figura 2.

Los diferentes ajustes en el montaje patentado de la base y la guía le permitirán hacer casi cualquier ensamble con lengüetas que usted se pueda imaginar. El trabajo de la herramienta se puede mejorar con algunos cortes y arreglos sencillos que se pueden lograr fácilmente. Algunos de los tipos de ensambles con lengüetas más comunes se muestran en la figura 3 y se tratan a detalle en la sección de aplicaciones de este manual.

### Interruptor

Su ensambladora cuenta con un gatillo interruptor localizado en la parte inferior, como se ilustra en la figura 1. Para encender la herramienta, oprima el gatillo. Para apagar la her- ramienta, libere el gatillo. Hay un botón de encendido permanente para asegurar la herra- mienta en modo de operación continua. Este botón se encuentra en la parte trasera de la herramienta, justo por encima del cable. Siempre que corte sujete la herramienta con una mano en el mango del interruptor y la otra mano en el mango auxiliar. Para asegurar la herramienta en posición de operación continua, oprima el gatillo interruptor al mismo tiempo que el botón de encendido permanente. Sujete el botón de encendido permanente mientras libera el gatillo interruptor. La herramienta continuará en funcionamiento. Para apagar la herramienta desde la posición de operación continua, oprima y libere el gatillo interruptor una vez.

### Cambio de cuchilla

Con el tiempo, la cuchilla de su herramienta se desgastará y necesitará cambiarse. Para sacar la cuchilla, siga los pasos descritos a continuación.

- Apague y desconecte la ensambladora.
- Quite los 4 tornillos con cabeza torx de la parte inferior de la zapata con el destornillador torx T20 que le proporcionamos.
- Gire la zapata para apartarla del camino.
- Con la llave de horquilla que le proporcionamos, afloje (en sentido contrario a las manecillas del reloj) la tuerca de la cuchilla. Oprima el perno de seguro de la flecha que se encuentra en la parte superior de la caja de engranes para sujetar la flecha mientras afloja la tuerca.
- Quite la cuchilla y hágala afilar o cámbiela por una nueva.

- Instale de nuevo la cuchilla invirtiendo los pasos citados anteriormente. Asegúrese que los dientes de la cuchilla apuntan en sentido contrario a las manecillas del reloj, como se observa en la figura 4.
- IMPORTANTE:** Siempre revise el ajuste fino de profundidad cuando afile o cambie la cuchilla. Ajustelo de ser necesario. (Consulte la sección “Controles”).

### Los controles

El corazón de su ensambladora es el montaje de la base y la guía. Todos los controles que le permiten efectuar cortes en diversas posiciones se localizan en este montaje. Tómese unos minutos para familiarizarse con los diferentes controles.

SIEMPRE APAGUE Y DESCONECTE LA ENSAMBLADORA ANTES DE HACER CUALQUIER AJUSTE.

#### 1. GUÍA AJUSTABLE

La guía ajustable proporciona una superficie de referencia fuerte y precisa para deter- minar el punto en el que se cortarán las ranuras para las lengüetas. Su dispositivo de altura ajustable le permite colocar las ranuras tan cercanas como 4,76 mm (3/16”) y tan distantes como 35 mm (1-3/8”) medidas a partir de la superficie de la pieza de trabajo hasta la línea central de la cuchilla (observe la figura 6). La característica de ajuste de ángulo le permite variar las posiciones desde 0° hasta 90° así como en ángulo invertido de 45°, que le permite registro exterior en ensambles angulares. (Consulte la sección de aplicaciones, ensambles angulares, figura 26).

El ajuste de altura se logra de la siguiente manera: primero se afloja la perilla de segu- ridad que se encuentra al lado derecho de la guía y a continuación se gira la perilla moleteada de ajuste hasta alcanzar la altura deseada (figura 5).

Al apretar la perilla de seguridad se alineará la guía en paralelo con la cuchilla automáti- camente y se asegurará en posición. La escala vertical y el indicador localizados directamente bajo la perilla de seguridad se pueden utilizar para ayudarse a hacer este ajuste de altura. Las lecturas de la escala indican la distancia entre la línea central de la cuchilla y la superficie de la guía cuando está colocada a 90° (figura 6). El ángulo de la guía se puede ajustar simplemente al aflojar la perilla de seguridad que se encuentra del lado izquierdo de la herramienta, alineando la escala del protractor con el indicador y apretando de nuevo la perilla.

#### 2. AJUSTE DE PROFUNDIDAD DE PENETRACION

La profundidad del corte se puede ajustar de acuerdo con el tamaño de las lengüetas que piense utilizar. Los números en la perilla de ajuste de profundidad (0, 10, 20, M) coinciden con los tres tamaños de lengüetas mostradas en la figura 2. La letra ‘M’ equivale a la capacidad máxima de profundidad de corte de la herramienta, que es de 20 mm (25/32”). Esta profundidad se puede obtener solamente con una cuchilla nueva y sacando el tornillo de ajuste fino (consulte la siguiente sección).

**NOTA:** La posición ‘M’ se proporciona en caso de que se requiera usar y no necesari- mente para la mayoría de las operaciones de ensamblaje. Para seleccionar una profun- didad, haga coincidir el número apropiado con la marca roja grabada en la carcaza de la herramienta, como se observa en la figura 7. Gire la perilla de ajuste de profundidad a la posición deseada y ésta emitirá un chasquido al quedar en su sitio.

#### 3. AJUSTE FINO DE PROFUNDIDAD

Puede encontrarse con situaciones en las que quiera dejar un poco de juego en el ensamble para poderlo mover un poco antes que el pegamento seque. Para estas oca- siones, se proporciona un ajuste fino de profundidad. Para modificarlo, debe levantar primero la guía ajustable a la posición más alta. A continuación inserte el llave torx T20 que le proporcionamos, en la abertura, como se observa en la figura 8. Gire el tornillo de ajuste de profundidad en el sentido de las manecillas del reloj para menor profundidad y en sentido contrario a las manecillas del reloj para aumentar la profundidad. Cada giro completo cambia la profundidad en 1 mm (0.04”). Revise siempre el ajuste de profundi- dad haciendo cortes de prueba en material de desperdicio.

#### 4. PERNOS ANTIDERRAPANTES

Las ensambladoras tienden a deslizarse hacia la derecha con respecto a la pieza de tra- bajo cuando se efectúan los cortes. Esta tendencia aumenta con el uso de una cuchilla sin filo o cuando se penetra demasiado rápidamente. Los pernos antiderrapantes se proveen para reducir esta tendencia y se localizan en la superficie de registro frontal a cualquier lado de la ranura de salida de la cuchilla. Cuando haga algunos ensambles, puede desear retraer los pernos antiderrapantes para no rayar la pieza de trabajo en una zona visible. Para este efecto, sencillamente gire los pernos antiderrapantes aproxima- damente 1/6 de vuelta y se retraerán por detrás de la superficie de registro frontal. Se puede utilizar un destornillador plano para girar los pernos, como se ilustra en la figura 9.

#### 5. SUPERFICIE DE REGISTRO INFERIOR

Para ciertas aplicaciones, usted preferirá utilizar la superficie inferior de la ensambladora para alinearse. Cuando utilice la superficie de registro inferior, la guía ajustable debe ajustarse a 0°, sin importar el ajuste de altura. Esta superficie de alineación se utiliza principalmente para hacer ensambles en ‘T’ (vea la sección “Aplicaciones”). La distancia entre la línea central de la cuchilla y el fondo de la superficie de registro inferior está fija a 9,5 mm (3/8”) que permite centrar en madera de 19 mm (3/4”). Las 3 marcas rojas que se encuentran en la superficie de registro inferior indican la línea central (o el punto más profundo) del corte para la lengüeta y aproximadamente el ancho de una lengüeta del No. 20 para que usted sepa en dónde se encuentra el filo de la cuchilla y pueda evitar atravesar la pieza. Para evitar atravesar la pieza de trabajo, coloque la zapata de manera que ninguna de las marcas se extienda más allá de los confines de la pieza. Si cualquier de las marcas sobresale, existen buenas posibilidades de que la cuchilla traspase la pieza y usted arruine su trabajo.

#### 6. EXTRACCION DE POLVO

Su herramienta cuenta con tres opciones para recolectar serrín que su ensambladora genera, como se describe a continuación.

A. Codo de dirección ajustable (observe la figura 10).

Este dispositivo se introduce en el puerto de escape de polvo que se encuentra del lado derecho en la parte trasera del montaje de la base y se ajusta en su posición. Para sacarlo, tire con firmeza. El codo direccional gira fácilmente para ayudar el polvo a salir en la dirección más conveniente, dependiendo de la aplicación.

B. Adaptador para polvo (observe la figura 11).

Este dispositivo, cuando se inserta como se describe en el párrafo anterior, permite el empleo de diversos tamaños de mangueras de aspiradora para la extracción directa del polvo.

C. Bolsa para polvo (observe la figura 12).

La bolsa para polvo que viene con su ensambladora se ajusta sobre el adaptador para polvo, descrito anteriormente. Para vaciar la bolsa, abra la cremallera que se encuen- tra en la parte inferior y vacíe el polvo.

**NOTA:** Cuando la bolsa se llena, el polvo se regresará hacia el adaptador y el puerto de escape que se encuentra en la parte trasera de la herramienta. Para limpiar, apague y desconecte la herramientay saque el polvo empacado. La bolsa contendrá el polvo generado por aproximadamente 70 a 100 cortes de ranuras para lengüetas del No. 20 antes de llenarse.

## Operación General

Las ensambladoras se utilizan principalmente en la fabricación de gabinetes y muebles para unir tablones,o en otras aplicaciones en que se requieran uniones precisas y resistentes de piezas de madera o sus derivados. Existen literalmente cientos de variaciones de ensambles que pueden realizarse con su ensambladora. Nos limitaremos a describir seis ensambles básicos que pueden utilizarse para fabricar y adaptarse a sus propias aplicaciones. Los siguientes son algunos pasos de ajuste inicial básicos que se aplican a todos los ensambles con lengüetas.

#### 1. SELECCION DEL TAMAÑO DE LA LENGÜETA

Como se mencionó anteriormente, los tres tamaños básicos de lengüetas son #0, #10 y #20. Como regla práctica, es mejor utilizar la lengüeta más grande que físicamente quepa en su aplicación. A menos que quiera ensamblar tiras angostas o marcos, o uti- lice madera de menos de 12,7 mm (1/2”) de espesor, se encontrará que las lengüetas #20 sirven para la mayoría de las aplicaciones. Después de seleccionar el tamaño de la lengüeta, coloque la perilla de ajuste de profundidad en la indicación correspondiente al tamaño de la lengüeta (vea en la sección de “Controles”). También, asegúrese que el ajuste fino de profundidad está correctamente ajustado probando primero en una pieza de madera de desperdicio. Esto es de extrema importancia si no quiere descubrir durante el pegado que las ranuras para sus lengüetas no son suficientemente profundas.

#### 2. LOCALIZACION Y TRAZADO DE LA LENGÜETA

Generalmente, las lengüetas se pueden espaciar y localizar a discreción. Para ensam- bles a media madera, una buena regla práctica es espaciar las cajas entre 15 y 25 cm de centro a centro. Se recomienda también que las lengüetas se coloquen de tal manera que las lengüetas finales queden aproximadamente entre 5 y 7,5 cm del final de la pieza de trabajo. Cuando ensamble marcos en que las piezas de madera sean muy angostas, usted deberá seleccionar los tamaños de lengüetas más pequeños para evitar traspasar el extremo del ensamble. Debe evitarse traspasar las piezas, siempre que sea posible, pero si no es así, usted puede recortar el sobrante de la lengüeta después de que el pegamento seque (observe la figura 13). Cuando trabaje con materiales hasta de 25 mm (1”) de espesor, le aconsejamos que utilice una lengüeta localizada en la parte central del material. Si se trabajará con material con espesor mayor, usted puede escoger colocar dos lengüetas en la pieza para aumentar la resistencia (figura 14). La localización de las lengüetas debe marcarse colocando primero las piezas a unir exactamente como serán ensambladas. A continuación, haga una marca a 90° de la unión de ambas piezas en los lugares en que colocará las lengüetas (figura 15). Vea la sección de “Aplicaciones” para obtener información más específica sobre el trazado de los ensambles. Las marcas que usted haga quedarán alineadas con una de las marcas de registro de la herramienta, de nuevo, dependiendo de su aplicación específica.

#### 3. CORTE

Antes de hacer cualquier corte, asegúrese que todos los ajustes de la guía se hayan colocado correctamente y que las perillas estén apretadas. También, asegúrese de haber seleccionado la profundidad adecuada. Sujete su pieza de trabajo firmemente y haga coincidir la marca de registro de centro de la ensambladora con la marca que usted trazó en la pieza. Encienda la herramienta y permita que la cuchilla alcance su velocidad máxima (aproximadamente 1 segundo). Tome el mango del interruptor y el mango later- al y coloque la guía con firmeza y a escuadra contra la pieza de trabajo, haga que la cuchilla penetre hasta que haga contacto con el tope. Continúe sujetando la herramienta con firmeza y a escuadra, permita que el resorte retraiga la cuchilla de la pieza de trabajo y libere el interruptor para apagar la herramienta. Le tomará algún tiempo desarrollar la sensibilidad necesaria para que la herramienta realice ensambles precisos, así que mejor practique un poco en material de desperdicio primero.

#### 4. ENSAMBLADO

Después de cortar sus piezas, usted puede probar el ajuste antes de pegarlas. Cuando esté satisfecho con los cortes que realizó, distribuya uniformemente cualquier pegamento para madera de buena calidad en cada ranura, así como en las superficies que que- darán en contacto. Coloque las lengüetas en las ranuras, arme la pieza y prensa hasta que seque. Para que un ensamble de lengüeta sea más eficaz, es importante que las



propias lengüetas estén en contacto con el pegamento. Esto se debe a que las lengüetas absorberán la humedad del pegamento y se expandirán para formar un ensamble ajustado.

## Aplicaciones

### 1. ENSAMBLES A MEDIA MADERA (observe la figura 16)

Esta es la manera más sencilla y más común de hacer un ensamble con su herramienta. Siga los pasos descritos a continuación para producir este ensamble.

- Prepare las piezas de trabajo y colóquelas sobre una superficie exactamente como serán ensambladas.
- Separe las lengüetas a 5 o 7,5 cm de los extremos y 15 a 25 cm entre los centros de éstas.
- Ajuste la ensambladora seleccionando primero la profundidad correcta. Coloque la guía a 90°. Coloque el ajuste de altura aproximadamente a la parte central del espesor de la pieza.
- Sujete la pieza de trabajo y coloque la herramienta de manera que la línea indicadora central coincida con la primera de las líneas que usted trazó (observe la figura 17). Encienda la herramienta y haga el corte. Retraiga la herramienta y libere el gatillo interruptor para apagarla. Repita para cada línea que usted haya marcado.
- Agregue el pegamento, ensamble y preñe la unión.
- Para tablas con espesor mayor a 25 mm (1") usted puede desear colocar dos lengüetas en cada zona. Arregle el ajuste de altura para dejar por lo menos 5 mm (3/16") entre la ranura y la superficie de la tabla. Haga todos los cortes con este ajuste de guía antes de reajustarla para los cortes inferiores. De nuevo, debe haber por lo menos 5 mm (3/16") entre la ranura y la pared exterior y entre las lengüetas mismas (observe la figura 18).

### 2. ENSAMBLES PARA MARCOS (observe la figura 19)

Los marcos son una aplicación ideal para los ensambles de lengüeta y caja. Con la ensambladora usted puede crear una unión muy precisa y resistente que es mucho más rápida de hacer que un ensamble de pernos. La figura 19 muestra dos tipos de ensambles para marcos. Siga los pasos descritos a continuación.

- Coloque las piezas de trabajo sobre una superficie plana exactamente en la manera en que serán ensambladas.
- Seleccione el tamaño adecuado de lengüeta basado en la longitud de la unión. (Si las piezas del marco son demasiado angostas para una lengüeta #0, usted deberá permitir que la lengüeta sobresalga ligeramente y recortarla después que el pegamento haya secado (figura 13).
- Marque la localización de las lengüetas.
- Ajuste la herramienta seleccionando la profundidad que corresponda al tamaño de la lengüeta que haya seleccionado. Asegure la guía a 90° y ajuste la altura de la guía para centrar la ranura en el material.
- Asegure la pieza de trabajo y coloque la ensambladora para hacer el primer corte (observe la figura 20).
- Encienda la herramienta y haga el corte.
- Repita para cada ranura.
- Añada el pegamento, ensamble y preñe el marco.

### 3. ENSAMBLES DE ARISTA (observe la figura 21)

Los ensambles de arista son otra aplicación perfecta para nuestra herramienta. Siga los pasos descritos a continuación.

- Coloque las piezas de trabajo exactamente en la manera en que serán ensambladas.
- Seleccione el tamaño adecuado de lengüeta y marque la localización de las ranuras.
- Ajuste la herramienta seleccionando la profundidad que corresponda al tamaño de la lengüeta que haya seleccionado. Asegure la guía a 90°.
- Para este ensamble, usted hará cortes en el borde de una de las piezas y en la cara de la otra. El corte en el borde se hace igual que para los ensambles de borde contra borde. Los cortes en la cara se hacen sujetando la madera y alineando la herramienta como se muestra en la figura 22. Encienda la herramienta, haga el corte y repita para cada lengüeta.
- Añada el pegamento, ensamble y preñe.

### 4. ENSAMBLES EN RELIEVE (observe la figura 23)

Usted puede decidir dejar un relieve deliberadamente entre dos piezas. Esto se puede lograr con facilidad con su ensambladora realizando los siguientes pasos.

- Coloque las piezas en la forma en que las va a ensamblar y trace la localización de las lengüetas.
- Ajuste la herramienta seleccionando el tamaño de lengüeta adecuado y ajustando la guía a 90°. Tome la pieza que será colocada como respaldo y ajuste la altura de la guía para centrar el corte dentro del espesor de esa pieza.
- Sujete la pieza de trabajo, centre la herramienta y haga el corte.
- A continuación, ajuste la guía hacia arriba en la medida que desee hacer el relieve. Utilice la escala y el indicador que se encuentran al lado derecho de la herramienta debajo de la perilla de seguridad de la guía.
- Sujete la segunda pieza, centre la herramienta y haga el corte.
- Añada el pegamento, ensamble y preñe la unión.

### 5. ENSAMBLES ANGULARES (observe la figura 24)

Los ensambles angulares se utilizan principalmente en estructuras de cajas o para hacer pedestales de lados múltiples en los que quiera esconder la veta de la cara de la madera. De nuevo, los ensambles de lengüeta son un método sobresaliente para ser utilizado con el fin de facilitar el armado y dar resistencia. Siga los pasos descritos a continuación para hacer un ensamble a 90°.

- Coloque las piezas en la manera en que las ensamblará y trace la localización de las lengüetas en la parte exterior del ensamble.
- Ajuste la guía de la herramienta a 90°. Haga el ajuste a la guía de manera que la lengüeta quede localizada hacia el interior del ensamble en donde el material tiene mayor espesor, a continuación, seleccione el tamaño de la lengüeta de manera que la cuchilla no traspase la pared cuando haga el corte (observe la figura 25).
- Sujete la herramienta y céntrala como se muestra en la figura 26.
- Encienda la herramienta y haga el corte.
- Añada el pegamento, ensamble y preñe la unión.
- Para ensambles con ángulos diferentes a 90°, consulte la figura 27 para ajustar debidamente el ángulo de la herramienta.

El método anterior producirá un ensamble en que las superficies exteriores estén alineadas. Si desea hacer un ensamble con las superficies interiores alineadas, utilice el siguiente procedimiento para ensambles a 90°.

- Coloque las piezas en la manera en que las ensamblará
- Trace la localización de las lengüetas en la parte interior del ángulo.
- Ajuste la guía de la herramienta a 45°. Haga el ajuste a la guía de manera que la lengüeta quede localizada hacia el interior del ensamble en donde el material tiene mayor espesor, a continuación, seleccione el tamaño de la lengüeta de manera que la cuchilla no traspase la pared cuando haga el corte.
- Sujete la herramienta y céntrala como se muestra en la figura 28.
- Encienda la herramienta y haga el corte; repita en los lugares donde se harán cajas.
- Añada el pegamento, ensamble y preñe la unión.
- Para ensambles con ángulos diferentes a 90°, consulte la figura 27 para ajustar debidamente el ángulo de la herramienta.

### 6. ENSAMBLES EN 'T' (figura 29)

Los ensambles de lengüeta son una alternativa viable para ranurar cuando se quiera hacer un ensamble en 'T'. Los ensambles en 'T' se utilizan comúnmente para añadir una repisa a los lados de un cajón. El método descrito a continuación funcionará si el material para su repisa tiene por lo menos 16 mm (5/8") de espesor.

- Coloque las piezas sobre una superficie exactamente en la manera en que las ensamblará en forma de una 'T' invertida. Marque ligeramente a lo largo de la unión en el lugar en que termina la repisa (observe la figura 30). Marque la localización de las lengüetas únicamente en la pieza que quedará como repisa.
- Coloque la repisa sobre la pieza con que se unirá. Preñe las dos piezas juntas a la superficie de trabajo en la posición que se muestra en la figura 31.
- Ajuste la herramienta seleccionando el tamaño de lengüeta adecuado y ajustando el ángulo de la guía a 0°.
- Utilice la superficie de registro inferior, centre la herramienta a las marcas de localización de las ranuras y haga un corte vertical y horizontal para cada una, como se observa en la figura 32.
- Añada el pegamento, ensamble y preñe la unión.

## MANTENIMIENTO

**⚠ADVERTENCIA:** Para reducir el riesgo de lesiones corporales graves, apague la herramienta y desconéctela de la fuente de alimentación antes de realizar ajustes o de quitar o poner accesorios.

### Limpieza

**⚠ADVERTENCIA:** Limpie la suciedad y el polvo de las rejillas de ventilación con aire seco al menos una vez por semana. Lleve protección ocular ANSI Z87.1 (CAN/CSA Z94.3) debida y protección respiratoria NIOSH/OSHA/MSHA debida cuando haga esto.

**⚠ADVERTENCIA:** Nunca utilice solventes u otros químicos fuertes cuando limpie las piezas no metálicas de la herramienta. Estos químicos pueden debilitar los materiales de plástico utilizados en estas piezas. Use un paño humedecido con agua y jabón suave. Jamás permita que le entre líquido a la herramienta; nunca sumerja ninguna parte de la herramienta.

### Accesorios

**⚠ADVERTENCIA:** Como otros accesorios fuera de los ofrecidos por DEWALT no han sido probados con este producto, el uso de tales accesorios con esta herramienta podría ser peligroso. Para reducir el riesgo de lesiones, sólo se deberían usar los accesorios recomendados por DEWALT con este producto.

Los accesorios recomendados para su herramienta están disponibles con un cargo adicional en su distribuidor local o en el centro de servicio autorizado. Si necesita ayuda para ubicar algún accesorio, por favor póngase en contacto con DEWALT Industrial Tool Co., 701 East Joppa Road, Baltimore, MD 21286, llame al 1-800-4-DEWALT (1-800-433-9258) o visite nuestro sitio Web www.dewalt.com.

### Carbones del motor

DEWALT utiliza un avanzado sistema de carbones que detienen automáticamente su ensambladora cuando se han desgastado. Esto le evita daños severos al motor.

### Reparaciones

Para garantizar la SEGURIDAD y la CONFIABILIDAD, las reparaciones, el mantenimiento y los ajustes (incluida la inspección y el reemplazo de cepillos) deben realizarse en un centro de

mantenimiento de fábrica de DEWALT, un centro de mantenimiento DEWALT autorizado o por otro personal de mantenimiento calificado. Utilice siempre piezas de repuesto idénticas.

## Póliza de Garantía

IDENTIFICACIÓN DEL PRODUCTO:

Sello o firma del Distribuidor.

Nombre del producto: \_\_\_\_\_ Mod./Cat.: \_\_\_\_\_

Marca: \_\_\_\_\_ Núm. de serie: \_\_\_\_\_

(Datos para ser llenados por el distribuidor)

Fecha de compra y/o entrega del producto: \_\_\_\_\_

Nombre y domicilio del distribuidor donde se adquirió el producto:

Este producto está garantizado por un año a partir de la fecha de entrega, contra cualquier defecto en su funcionamiento, así como en materiales y mano de obra empleados para su fabricación. Nuestra garantía incluye la reparación o reposición del producto y/o componentes sin cargo alguno para el cliente, incluyendo mano de obra, así como los gastos de transportación razonablemente erogados derivados del cumplimiento de este certificado.

Para hacer efectiva esta garantía deberá presentar su herramienta y esta póliza sellada por el establecimiento comercial donde se adquirió el producto, de no contar con ésta, bastará la factura de compra.

### EXCEPCIONES.

Esta garantía no será válida en los siguientes casos:

- Cuando el producto se hubiese utilizado en condiciones distintas a las normales;
- Cuando el producto no hubiese sido operado de acuerdo con el instructivo de uso que se acompaña;
- Cuando el producto hubiese sido alterado o reparado por personas distintas a las enlistadas al final de este certificado.

Anexo encontrará una relación de sucursales de servicio de fábrica, centros de servicio autorizados y franquiciados en la República Mexicana, donde podrá hacer efectiva su garantía y adquirir partes, refacciones y accesorios originales.

### Garantía limitada por tres años

DEWALT reparará, sin cargo, cualquier falla que surja de defectos en el material o la fabricación del producto, por hasta tres años a contar de la fecha de compra. Esta garantía no cubre fallas de las piezas causadas por su desgaste normal o abuso a la herramienta. Para mayores detalles sobre la cobertura de la garantía e información acerca de reparaciones realizadas bajo garantía, visítenos en www.dewalt.com o diríjase al centro de servicio más cercano. Esta garantía no aplica a accesorios o a daños causados por reparaciones realizadas o intentadas por terceros. Esta garantía le otorga derechos legales específicos, además de los cuales puede tener otros dependiendo del estado o la provincia en que se encuentre.

Además de la garantía, las herramientas DEWALT están cubiertas por:

#### 1 AÑO DE SERVICIO GRATUITO

DEWALT mantendrá la herramienta y reemplazará las piezas gastadas por su uso normal, sin cobro, en cualquier momento durante un año a contar de la fecha de compra. Los artículos gastados por la clavadora, tales como la unidad de hoja y retorno del impulsador, no están cubiertas.

#### GARANTÍA DE REEMBOLSO DE SU DINERO POR 90 DÍAS

Si no está completamente satisfecho con el desempeño de su máquina herramienta, láser o clavadora DEWALT, cualquiera sea el motivo, podrá devolverlo hasta 90 días de la fecha de compra con su recibo y obtener el reembolso completo de su dinero – sin necesidad de responder a ninguna pregunta.

**AMÉRICA LATINA:** Esta garantía no se aplica a los productos que se venden en América Latina. Para los productos que se venden en América Latina, debe consultar la información de la garantía específica del país que viene en el empaque, llamar a la compañía local o visitar el sitio Web a fin de obtener esa información.

**REEMPLAZO GRATUITO DE LAS ETIQUETAS DE ADVERTENCIAS:** Si sus etiquetas de advertencia (Fig. 33) se vuelven ilegibles o faltan, llame al 1-800-4-DEWALT para que se le reemplacen gratuitamente.

#### PARA REPARACIÓN Y SERVICIO DE SUS HERRAMIENTAS ELÉCTRICAS, FAVOR DE DIRIGIRSE AL CENTRO DE SERVICIO MÁS CERCANO

##### CULIACAN, SIN

Blvd. Emiliano Zapata 5400-1 Poniente  
Col. San Rafael (667) 717 89 99

##### GUADALAJARA, JAL

Av. La Paz #1779 - Col. Americana Sector Juárez (33) 3825 6978

##### MEXICO, D.F.

Eje Central Lázaro Cárdenas No. 18  
Local D, Col. Obrera (55) 5588 9377

##### MERIDA, YUC

Calle 63 #459-A - Col. Centro (999) 928 5038

##### MONTERREY, N.L.

Av. Francisco I. Madero 831 Poniente - Col. Centro (818) 375 23 13

##### PUEBLA, PUE

17 Norte #205 - Col. Centro (222) 246 3714

##### QUERETARO, QRO

Av. San Roque 274 - Col. San Gregorio (442) 2 17 63 14

##### SAN LUIS POTOSI, SLP

Av. Universidad 1525 - Col. San Luis (444) 814 2383

##### TORREON, COAH

Blvd. Independencia, 96 Pte. - Col. Centro (871) 716 5265

##### VERACRUZ, VER

Prolongación Díaz Mirón #4280 - Col. Remes (229) 921 7016

##### VILLAHERMOSA, TAB

Constitución 516-A - Col. Centro (993) 312 5111

#### PARA OTRAS LOCALIDADES:

Si se encuentra en México, por favor llame al (55) 5326 7100

Si se encuentra en U.S., por favor llame al  
1-800-433-9258 (1-800 4-DEWALT)

SOLAMENTE PARA PROPÓSITO DE MÉXICO:  
IMPORTADO POR: DEWALT S.A. DE C.V.  
BOSQUES DE CIDROS, ACCESO RADIATAS NO.42  
3A. SECCIÓN DE BOSQUES DE LAS LOMAS  
DELEGACIÓN CUAJIMALPA,  
05120, MÉXICO, D.F.  
TEL. (52) 555-326-7100  
R.F.C.: BDE810626-1W7

Para servicio y ventas consulte  
"HERRAMIENTAS ELÉCTRICAS"  
en la sección amarilla.



#### Especificaciones (DW682)

Tensión de alimentación	120 V CA/CD
Potencia nominal:	624 W
Frecuencia de operación:	60 Hz
Consumo de corriente:	6,5 A