

**Before returning this
product call
1-800-4-DEWALT**

IF YOU SHOULD EXPERIENCE A PROBLEM WITH
YOUR DEWALT PURCHASE,
CALL 1-800-4 DEWALT
IN MOST CASES, A DEWALT REPRESENTATIVE CAN RESOLVE YOUR
PROBLEM OVER THE PHONE.
IF YOU HAVE A SUGGESTION OR COMMENT, GIVE US A CALL.
YOUR FEEDBACK IS VITAL TO THE SUCCESS OF DEWALT'S QUALITY
IMPROVEMENT PROGRAM.

See our catalog on the World Wide Web at www.dewalt.com

**INSTRUCTION MANUAL
GUIDE D'UTILISATION
MANUAL DE INSTRUCCIONES**

INSTRUCTIVO DE OPERACIÓN, CENTROS DE
SERVICIO Y PÓLIZA DE GARANTÍA. **ADVERTENCIA:**
LEA ESTE INSTRUCTIVO ANTES DE USAR EL
PRODUCTO. SI TIENE DUDAS, POR FAVOR LLAME.

DEWALT®

**DW746, DW746X
Woodworker's Table Saw
Scies circulaires à table d'entrepreneur
Sierra de banco para madera**

Definitions: Safety Guidelines

The definitions below describe the level of severity for each signal word. Please read the manual and pay attention to these symbols.

⚠ DANGER: Indicates an imminently hazardous situation which, if not avoided, will result in **death or serious injury**.

⚠ WARNING: Indicates a potentially hazardous situation which, if not avoided, could result in **death or serious injury**.

⚠ CAUTION: Indicates a potentially hazardous situation which, if not avoided, may result in **minor or moderate injury**.

CAUTION: Used without the safety alert symbol indicates a potentially hazardous situation which, if not avoided, may result in **property damage**.

IF YOU HAVE ANY QUESTIONS OR COMMENTS ABOUT THIS OR ANY DEWALT TOOL, CALL US TOLL FREE AT: 1-800-4-DEWALT (1-800-433-9258)

General Safety Rules

⚠ WARNING: Read all instructions before operating product. Failure to follow all instructions listed below may result in electric shock, fire and/or serious injury.

SAVE THESE INSTRUCTIONS

⚠ WARNING: FOLLOW ALL WIRING CODES and recommended electrical connections to prevent shock or electrocution.

Grounding Instructions

If saw is of grounded construction, read the following instructions.

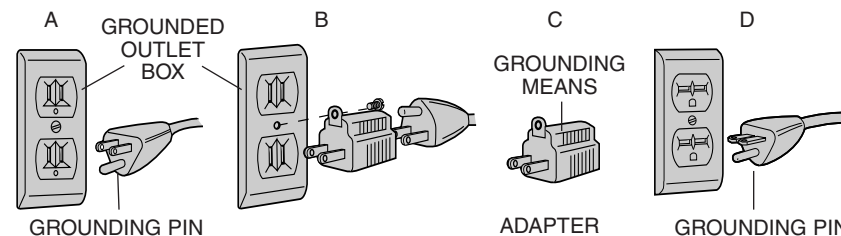
⚠ DANGER: SHOCK HAZARD. THIS MACHINE MUST BE GROUNDED WHILE IN USE. SERIOUS INJURY COULD RESULT.

ALL GROUNDED, CORD-CONNECTED MACHINES

In the event of a malfunction or breakdown, grounding provides a path of least resistance for electric current to reduce the risk of electric shock. This machine is equipped with an electric cord having an equipment-grounding conductor and a grounding plug. The plug must be plugged into a matching outlet that is properly installed and grounded in accordance with all local codes and ordinances. Do not modify the plug provided - if it will not fit the outlet, have the proper outlet installed by a qualified electrician. Improper connection of the equipment-grounding conductor can result in risk of electric shock. The conductor with insulation having an outer surface that is green with or without yellow stripes is the equipment-grounding conductor. If repair or replacement of the electric cord or plug is necessary, do not connect the equipment-grounding conductor to a live terminal. Check with a qualified electrician or service personnel if the grounding instructions are not completely understood, or if in doubt as to whether the machine is properly grounded. Use only three-wire extension cords that have three-prong grounding type plugs and matching three-conductor receptacles that accept the machine's plug, as shown in Fig. A. Repair or replace damaged or worn cord immediately.

GROUNDED, CORD-CONNECTED MACHINES INTENDED FOR USE ON A SUPPLY CIRCUIT HAVING A NOMINAL RATING LESS THAN 150 VOLTS

If the machine is intended for use on a circuit that has an outlet that looks like the one illustrated in Fig. A, the machine will have a grounding plug that looks like the plug illustrated in Fig. A. A temporary adapter, which looks like the adapter illustrated in Fig. B, may be used to connect this plug to a matching two-conductor receptacle as shown in Fig. B if a properly grounded outlet is not available. The temporary adapter should be used only until a properly grounded outlet can be installed by a qualified electrician. The green-colored rigid ear, lug, and the like, extending from the adapter must be connected to a permanent ground such as a properly grounded outlet box. Whenever the adapter is used, it must be held in place with a metal screw.



NOTE: In Canada, the use of a temporary adapter is not permitted by the Canadian Electric Code.

⚠ DANGER: IN ALL CASES, MAKE CERTAIN THAT THE RECEPTACLE IN QUESTION IS PROPERLY GROUNDED. IF YOU ARE NOT SURE, HAVE A QUALIFIED ELECTRICIAN CHECK THE RECEPTACLE.

240 Volt, Single-Phase Operation

The motor supplied with your machine is a dual voltage, 120/240 volt motor. It is shipped ready-to-run for 120 volt operation. However, it can be converted for 240 volt operation. A qualified electrician should perform the conversion or take the machine to an authorized DEWALT service center. When conversion is complete, the machine must conform to the National Electric Code and all local codes and ordinances.

The machine is converted by rewiring the motor for 240 volts, installing a 240-volt plug on the power supply cord and replacing the switch (if necessary) with one that is rated for 240-volt operation.

The saw with the 240-volt plug should **ONLY** be connected to an outlet having the same configuration as the plug illustrated. No adapter is available or should be used with the 240-volt plug.

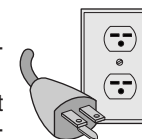
⚠ DANGER: IN ALL CASES, MAKE CERTAIN THAT THE RECEPTACLE IN QUESTION IS PROPERLY GROUNDED. IF YOU ARE NOT SURE, HAVE A QUALIFIED ELECTRICIAN CHECK THE RECEPTACLE.

Double Insulation

If saw is of double-insulated construction, read the following instructions.

Double insulated tools are constructed throughout with two separate layers of electrical insulation or one double thickness of insulation between you and the tool's electrical system. Tools built with this insulation system are not intended to be grounded. As a result, your tool is equipped with a two prong plug which permits you to use extension cords without concern for maintaining a ground connection.

NOTE: Double insulation does not take the place of normal safety precautions when operating this tool. The insulation system is for added protection against injury resulting from a possible electrical insulation failure within the tool.



POLARIZED PLUGS

To reduce the risk of electric shock, this equipment has a polarized plug (one blade is wider than the other). This plug will fit in a polarized outlet only one way. If the plug does not fit fully into the outlet, reverse the plug. If it still does not fit, contact a qualified electrician to install the proper outlet. Do not change the plug in any way.

Important Safety Instructions

- **TO REDUCE THE RISK OF KICKBACK AND OTHER INJURIES, KEEP GUARDS IN PLACE** and in working order.
- **REMOVE ADJUSTING KEYS AND WRENCHES.** Form habit of checking to see that keys and adjusting wrenches are removed from spindle before turning tool on. Tools, scrap pieces and other debris can be thrown at high speed, causing injury.
- **KEEP WORK AREA CLEAN.** Cluttered areas and benches invite accidents.
- **DO NOT USE THE MACHINE IN A DANGEROUS ENVIRONMENT.** The use of power tools in damp or wet locations or in rain can cause shock or electrocution. Keep your work area well-lit to avoid tripping or placing arms, hands and fingers in danger.
- **KEEP CHILDREN AWAY.** All visitors should be kept at a safe distance from work area. Your shop is a potentially dangerous environment.
- **MAKE WORKSHOP CHILDPROOF** with padlocks, master switches, or by removing starter keys. The unauthorized start-up of a machine by a child or visitor may result in injury.
- **DO NOT FORCE TOOL.** It will do the job better and be safer at the rate for which it was designed.
- **USE RIGHT TOOL.** Don't force tool or attachment to do a job for which it was not designed. Using the incorrect tool or attachment may result in personal injury.
- **USE PROPER EXTENSION CORD.** Make sure your extension cord is in good condition. If your product is equipped with a cord set, use only three-wire extension cords that have three-prong grounding-type plugs and three-pole receptacles that accept the tool's plug. When using an extension cord, be sure to use one heavy enough to carry the current your product will draw. An undersized cord will cause a drop in line voltage resulting in loss of power and overheating. The following table shows the correct size to use depending on cord length and nameplate ampere rating. If in doubt, use the next heavier gauge. The smaller the gauge number, the heavier the cord.

MINIMUM GAUGE FOR CORD SETS

Volts	Total Length of Cord in Feet			
120V	0-25	26-50	51-100	101-150
240V	0-50	51-100	101-200	201-300

Ampere Rating More Not more ThanThan	AWG			
0 - 6	18	16	16	14
6 - 10	18	16	14	12
10 - 12	16	16	14	12
12 - 16	14	12	Not Recommended	

- **WEAR PROPER APPAREL.** No loose clothing, gloves, neckties, rings, bracelets or other jewelry to get caught in moving parts. Non-slip footwear is recommended. Wear protective hair covering to contain long hair. Air vents may cover moving parts and should also be avoided.
- **ALWAYS USE SAFETY GLASSES.** Everyday eyeglasses are NOT safety glasses. Also use face or dust mask if cutting operation is dusty. ALWAYS wear certified safety equipment:

- ANSI Z87.1 eye protection (CAN/CSA Z94.3)
- ANSI S12.6 (S3.19) hearing protection
- NIOSH/OSHA respiratory protection.
- **DO NOT OVERREACH.** Keep proper footing and balance at all times. Loss of balance may cause personal injury.
- **MAINTAIN TOOLS WITH CARE.** Keep blades sharp and clean for best and safest performance. Follow instructions for lubricating and changing accessories. Poorly maintained blades and machines can further damage the blade or machine and/or cause injury.
- **TURN THE MACHINE "OFF", AND DISCONNECT THE MACHINE FROM THE POWER SOURCE** before installing or removing accessories, before adjusting or changing set-ups, when making repairs or changing locations. Do not touch the plug's metal prongs when unplugging or plugging in the cord. An accidental start-up can cause injury.
- **REDUCE THE RISK OF UNINTENTIONAL STARTING.** Make sure that the switch is in the "OFF" position before plugging in the power cord. In the event of a power failure, move the switch to the "OFF" position. An accidental start-up can cause injury.
- **USE RECOMMENDED ACCESSORIES.** Use only accessories that are recommended by the manufacturer for your model. Accessories that may be suitable for one tool may be hazardous when used on another tool. Consult the instruction manual for recommended accessories. The use of improper accessories may cause risk of injury to persons.
- **NEVER STAND ON TOOL.** Serious injury could occur if the tool is tipped or if the cutting tool is unintentionally contacted.
- **CHECK FOR DAMAGED PARTS.** Before further use of the tool, a guard or other part that is damaged should be carefully checked to determine that it will operate properly and perform its intended function—check for alignment of moving parts, binding of moving parts, breakage of parts, mounting and any other conditions that may affect its operation. A guard or other part that is damaged should be properly repaired or replaced. Do not use tool if switch does not turn it on and off. Damaged parts can cause further damage to the machine and/or personal injury.
- **DIRECTION OF FEED.** Feed work into a blade or cutter against the direction of rotation of the blade or cutter only.
- **NEVER LEAVE TOOL RUNNING UNATTENDED. TURN POWER OFF.** Don't leave tool until it comes to a complete stop. Serious injury can result.
- **DO NOT OPERATE ELECTRIC TOOLS NEAR FLAMMABLE LIQUIDS OR IN GASEOUS OR EXPLOSIVE ATMOSPHERES.** Motors and switches in these tools may spark and ignite fumes.
- **STAY ALERT, WATCH WHAT YOU ARE DOING AND USE COMMON SENSE. DO NOT USE THE MACHINE WHEN YOU ARE TIRED OR UNDER THE INFLUENCE OF DRUGS, ALCOHOL OR MEDICATION.** A moment of inattention while operating power tools may result in serious injury.
- **DO NOT ALLOW FAMILIARITY (gained from frequent use of your saw) TO REPLACE SAFETY RULES.** Always remember that a careless fraction of a second is sufficient to inflict severe injury.

Additional Safety Rules for Table Saws

- **AVOID AWKWARD POSITIONS,** where a sudden slip could cause a hand to move into a saw blade or other cutting tool.
- **NEVER REACH IN BACK OF, OR AROUND, THE CUTTING TOOL** with either hand to hold down the workpiece.

- **KEEP ARMS, HANDS AND FINGERS AWAY** from the blade to prevent serious injury.
- **USE A PUSH STICK OR PUSH BLOCK THAT IS APPROPRIATE TO THE APPLICATION TO PUSH WORKPIECES THROUGH THE SAW.** A push stick is a wooden or non-metallic stick, usually homemade, that should be used whenever the size or shape of the workpiece would cause you to place your hands within six inches of the blade. **Use hold-downs, jigs, fixtures or feather boards to help guide and control the workpiece when the guard cannot be used.** Use saw-blade guard and spreader for every operation for which it can be used, including all through sawing.
- **DO NOT PERFORM RIPPING, CROSSCUTTING OR ANY OTHER OPERATION FREEHAND.**
- **NEVER** reach around or over saw blade.
- **STABILITY.** Make sure the table saw is firmly mounted to a secure surface before use and does not move. If the mobility kit is installed, raise the moveable caster(s) so saw is in its stationary position.
- **NEVER CUT FERROUS METALS** (those with any iron or steel content) or masonry. Damage to the saw and personal injury may result.
- **THE PROPER THROAT PLATE MUST BE IN PLACE AT ALL TIMES** to reduce the risk of a thrown workpiece and possible injury.
- **USE THE CORRECT SAW BLADE FOR THE INTENDED OPERATION.** The blade must rotate toward the front of the saw. Always tighten the blade arbor nut securely. Before use, inspect the blade for cracks or missing teeth. Do not use a damaged blade.
- **NEVER ATTEMPT TO FREE A STALLED SAW BLADE WITHOUT FIRST TURNING THE MACHINE OFF.** If a workpiece or cut-off piece becomes trapped inside the guard, turn saw off and wait for blade to stop before lifting the guard and removing the piece.
- **NEVER START THE MACHINE** with the workpiece against the blade to reduce the risk of a thrown workpiece and personal injury.
- **NEVER** run the workpiece between the fence and a molding cutterhead to reduce the risk of a thrown workpiece and personal injury.
- **AVOID AWKWARD OPERATIONS AND HAND POSITIONS** where a sudden slip could cause a hand to move into the blade.
- **NEVER have any part of your body in line with the path of the saw blade.** Personal injury will occur.
- **NEVER PERFORM LAYOUT, ASSEMBLY OR SET-UP WORK** on the table/work area when the machine is running. A sudden slip could cause a hand to move into the blade. Severe injury can result.
- **CLEAN THE TABLE/WORK AREA BEFORE LEAVING THE MACHINE.** Lock the switch in the "OFF" position to prevent unauthorized use.
- **DO NOT leave a long board (or other workpiece) unsupported so the spring of the board causes it to shift on the table resulting in loss of control and possible injury.** Provide proper support for the workpiece, based on its size and the type of operation to be performed. Hold the work firmly against the fence and down against the table surface. If supports are attached to the saw, be certain saw will not tip under load.
- **DO NOT OPERATE THIS MACHINE** until it is completely assembled and installed according to the instructions. A machine incorrectly assembled can cause serious injury.
- **OBTAIN ADVICE** from your supervisor, instructor or another qualified person if you are not thoroughly familiar with the operation of this machine. Knowledge is safety.
- **ADDITIONAL INFORMATION** regarding the safe and proper operation of power tools (i.e., a safety video) is available from the Power Tool Institute, 1300 Sumner Avenue, Cleveland, OH 44115-2851 (www.powertoolinstitute.com). Information is also

available from the National Safety Council, 1121 Spring Lake Drive, Itasca, IL 60143-3201. Please refer to the American National Standards Institute ANSI 01.1 Safety Requirements for Woodworking Machines and the U.S. Department of Labor OSHA 1910.213 Regulations.

TERMS: THE FOLLOWING TERMS WILL BE USED THROUGHOUT THE MANUAL AND YOU SHOULD BECOME FAMILIAR WITH THEM.

- **Through-sawing** refers to any cut that completely severs the workpiece.
- **Push Stick** refers to a wooden stick, usually homemade, that is used to push small workpiece through the saw and keeps the operator's hands clear of the blade.
- **Kickback** occurs when the saw blade binds in the cut and violently thrusts the workpiece back toward the operator.
- **Freehand** refers to cutting without the use of a miter gauge or rip fence or any other means of guiding or holding the workpiece other than the operator's hand.

SAW BLADE GUARD AND SPREADER

Your table saw is equipped with a blade guard and spreader assembly that covers the blade and prevents accidental contact. The spreader is a flat plate that fits into the cut made by the saw blade and effectively fights kickback by lessening the tendency of the blade to bind in the cut. The spreader can only be used when making through cuts that sever the wood. When making dadoes, rabbits and other cuts that make less than through cuts, the blade guard and spreader assembly must be removed from the saw. Two anti-kickback pawls are located on the sides of the spreader that allow the wood to pass through the blade in the cutting direction but lock it if it tries to move backwards toward the operator.

MAKING A PUSH STICK (INSIDE BACK COVER)

⚠WARNING: When ripping work less than 6" (152 mm) wide, a push stick should be used to complete the feed and could easily be made from scrap material by following the pattern on the inside back cover.

- In order to operate your table saw safely you must use a push-stick whenever the size or shape of the workpiece would cause your hands to be within 6" (152 mm) of the saw blade or other cutter.
- No special wood is needed to make a push-stick as long as it's sturdy and long enough. A length of 12" (305 mm) is recommended with a notch that fits against the edge of the workpiece to prevent slipping. It's a good idea to have several push sticks of the same length [12" (305 mm)] with different size notches for different workpiece thicknesses.
- See the inside back cover for a picture of a push stick. The shape can vary to suit your own needs as long as it performs its intended function of keeping your hands away from the blade.

KICKBACKS

How to Avoid Them and Protect Yourself from Possible Injury

- a. Be certain that the rip fence is parallel to the saw blade.
- b. Do not rip by applying the feed force to the section of the workpiece that will become the cut-off (free) piece. Feed force when ripping should always be applied between the saw blade and the fence; use a push stick for short work, 6" (152 mm) wide or less. For less than 2" (51 mm) wide, you must use a special fixture.
- c. Keep saw blade guard, splitter and anti-kickback teeth in place and operating properly. Keep teeth sharp. If teeth are not operational, return your unit to the nearest authorized DEWALT service center for repair. The splitter must be in alignment with the saw blade and the teeth must stop a kickback once it has started. Check their action before ripping by pushing the wood under the anti-kickback teeth. The teeth must prevent the wood from being pulled toward the front of the saw.

- d. Plastic and composition (like hardboard) materials maybe cut on your saw. However, since these are usually quite hard and slippery, the anti-kickback pawls may not stop a kickback. Therefore, be especially attentive to following proper set up and cutting procedures for ripping.
- e. Use saw blade guard and splitter for every operation for which it can be used, including all through-sawing.
- f. Push the workpiece past the saw blade prior to release.
- g. **NEVER** rip a workpiece that is twisted or warped, or does not have a straight edge to guide along the fence.
- h. Use featherboards when the anti-kickback device or the guard and splitter cannot be used.
- i. **NEVER** sawing a large workpiece that cannot be controlled.
- j. **NEVER** use the fence as a guide or length stop when crosscutting.
- k. **NEVER** saw a workpiece with loose knots, flaws, nails or other foreign objects.
- l. **NEVER** rip a workpiece shorter than 10" (254 mm).

⚠WARNING: Some dust created by power sanding, sawing, grinding, drilling, and other construction activities contains chemicals known to the State of California to cause cancer, birth defects or other reproductive harm. Some examples of these chemicals are:

- lead from lead-based paints,
- crystalline silica from bricks and cement and other masonry products, and
- arsenic and chromium from chemically-treated lumber (CCA).

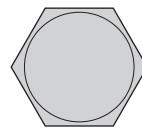
Your risk from these exposures varies, depending on how often you do this type of work. To reduce your exposure to these chemicals: work in a well-ventilated area and work with approved safety equipment, such as those dust masks that are specially designed to filter out microscopic particles.

- **Avoid prolonged contact with dust from power sanding, sawing, grinding, drilling and other construction activities. Wear protective clothing and wash exposed areas with soap and water.** Allowing dust to get into your mouth, eyes or lay on the skin may promote absorption of harmful chemicals.

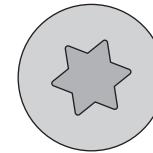
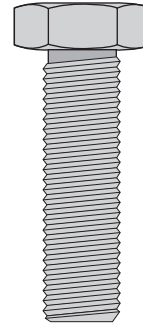
⚠WARNING: Use of this tool can generate and/or disburse dust, which may cause serious and permanent respiratory or other injury. Always use NIOSH/OSHA approved respiratory protection appropriate for the dust exposure. Direct particles away from face and body. Always operate tool in well-ventilated area and provide for proper dust removal. Use dust collection system wherever possible.

SAVE THESE INSTRUCTIONS FOR FUTURE USE

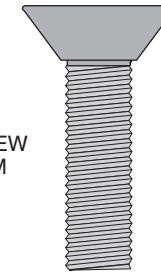
Hardware Included with the DW746 Woodworker's Table Saw



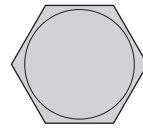
BOLT
10 MM X 35 MM
(2 PIECES)



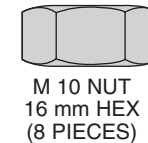
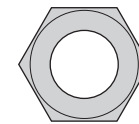
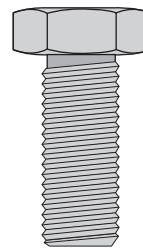
T50 TORX
FLAT HEAD SCREW
10 MM X 30 MM
(4 PIECES)



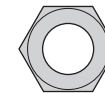
5 mm
HEX
WRENCH
(1)



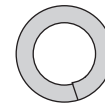
BOLT
10 MM X 25 MM
(8 PIECES)



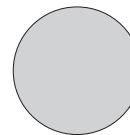
M 10 NUT
16 mm HEX
(8 PIECES)



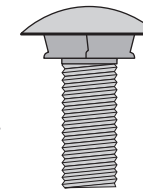
M 8 NUT
13 mm HEX
(4 PIECES)



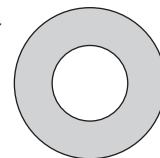
8 MM LOCK WASHER
(4 PIECES)



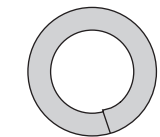
CARRIAGE BOLT
8 MM X 20 MM
(4 PIECES)



WRENCH
HOOK
(1)



FLAT WASHER
(14 PIECES)



10 MM LOCK WASHER
(14 PIECES)

PARTS SHOWN ARE
FULL SIZE - EXTRA
FASTENERS MAY HAVE
BEEN INCLUDED

T50
TORX
WRENCH
(1)

Specifications

Horsepower	1-3/4
Table Size	27" x 40-3/4"
Miter Angle	60° L&R
Bevel Angle	-2° to 47° Left
Blade Size	10" (254 mm)
Max. Cut Depth	0° Bevel..... 3-1/8" (79 mm)
Max. Cut Depth	45° Bevel..... 2-1/8" (54 mm)
RPM, no load	3000

DW746 Basic Unit

Always follow the instructions included with the accessory when assembling custom accessories to this unit. Assemble any accessories first.

Tools Included

To aid you with assembly of your new saw, we have included the following tools.

- T50 torx wrench
- 5 mm hex wrench
- Combination wrench with 16 mm, 13 mm, 10 mm and 22 mm openings
- Blade wrench with 15/16" and 10 mm box ends.

Tools You Will Need to Supply

- Flat blade screwdrivers
- 16 mm or 5/8" open end wrench or pliers
- Ruler
- Square
- Soft hammer, or regular hammer and block of wood

TO SPEED ASSEMBLY, THE FOLLOWING WOULD BE HELPFUL:

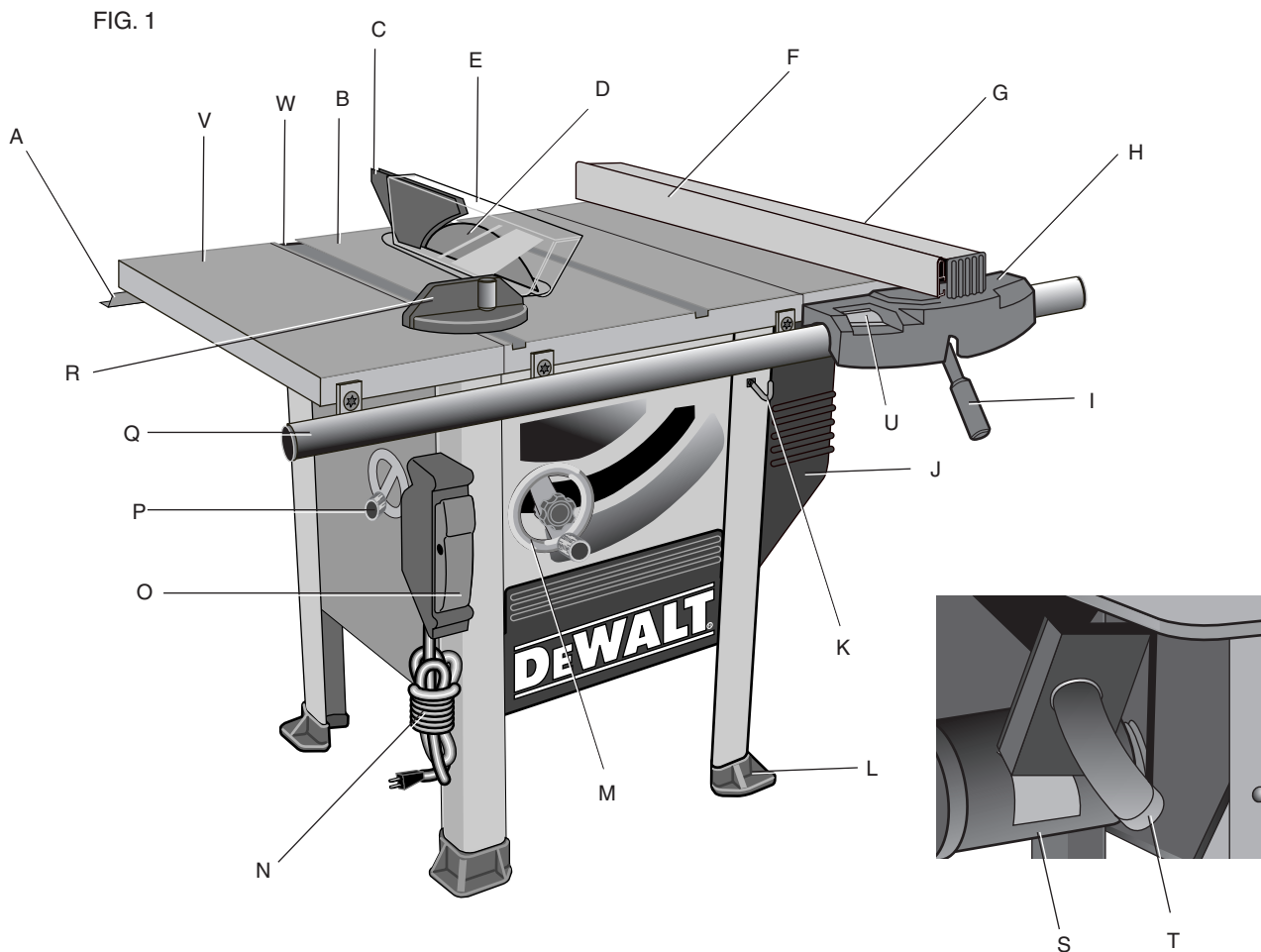
- 16 mm or 5/8" socket wrench, with 6" extension
- 13 mm or 1/2" socket wrench
- 10 mm open end wrench
- T20 and T25 Torx drivers
- T40 Torx wrench.

YOUR WILL ALSO NEED:

- Mild solvent cleaner such as mineral spirits, paint thinner or denatured alcohol.
- High-quality paste wax

Necessary Hardware

Your hardware bag, located in the parts box, contains all the necessary nuts, bolts and washers to assemble the components included with the DW746 Woodworker's Table Saw. To make assembly of your saw easier, match the nuts, bolts and washers with the chart on the previous page. Separate them by size so that you can easily locate the item you need. Before each step, check your hardware against the chart and identify the pieces you need.



FEATURES (Fig. 1)

Examine Figure 1 to become familiar with the saw and its various parts. The following sections on assembly and adjustments will refer to these terms and you must know what and where the parts are.

- | | |
|---|--|
| A. Rear fence rail (included with DW746X) | M. Blade height adjustment wheel |
| B. Table top | N. Power cord |
| C. Splitter | O. On/Off Switch |
| D. Blade | P. Blade tilt crank |
| E. Blade guard | Q. Front Fence Rail (included with DW746X) |
| F. Fence face | R. Miter gauge |
| G. Rip fence | S. Motor |
| H. Fence beam | T. Dust collection port |
| I. Rail lock lever | U. Rip scale pointer |
| J. Motor cover | V. Side support table |
| K. Wrench hook | W. Miter slot |
| L. Adjustable feet | |

Unpacking

⚠WARNING: To reduce the risk of injury, do not connect the machine to the power source until the machine is completely assembled and you read and understand the entire instruction manual.

1. Remove parts box, motor cover, fence beam, side tables and fence rails (DW746X).
2. Turn the saw to the upright position.

⚠CAUTION: Use a minimum of two people to prevent personal injury when turning the saw and stand upright. The combined weight of the table top and motor assembly is approximately 200 lbs (91 kg).

3. Cut and remove plastic strap holding the motor.
4. Using front hand crank, lower the motor some and remove the foam packing material between the motor and the mechanism.

Assembly

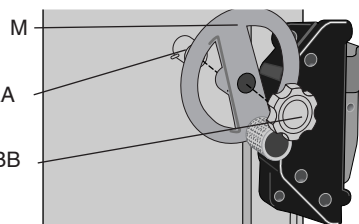
⚠WARNING: To reduce the risk of injury, do not connect the machine to the power source until the machine is completely assembled and you read and understand the entire instruction manual.

PLEASE READ ENTIRE ASSEMBLY SECTION BEFORE PROCEEDING.

INSTALL BEVEL CRANK (FIG. 2)

1. Install the blade height adjustment wheel (M) over the shaft (AA), rotate it slightly to fully engage the shaft pin.
2. Screw the lock knob (BB) into place until it is fully seated, then back it off 1/4 to 1/2 turn.
3. Turn blade height adjustment wheel (M) to raise mechanism as high as it will go.

FIG. 2

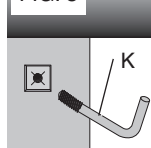


INSTALL WRENCH HOOK (FIG. 3)

NOTE: Always hang the blade wrench, spindle lock wrench and push stick on wrench hook when not in use.

1. Located the plastic threaded insert at the top of the front right leg.
2. Thread the "L" shaped wrench hook (K) in until only a few threads are visible.

FIG. 3



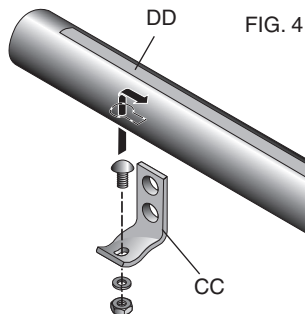
ASSEMBLE FRONT RAIL AND BRACKETS (FIG. 4)

IMPORTANT: DW746X includes a 30" precision fence rail system. A 30" or 52" precision rail system for the DW746 may be purchased at additional cost. Always follow the instructions included with the accessory. After assembling the rail system, refer to **Parallel the Rails to the Table Top**.

If you need assistance with this accessory, please call 1-800-4-DEWALT (1-800-433-9258) or visit our website www.dewalt.com.

You will Need: 4 – 8 mm Carriage Bolts
4 – 8 mm Lock Washers
4 – 8 mm Nuts

1. Unpack rail carton (contains front and rear rail).
2. Place the carriage bolts into each rail bracket (CC) as shown.
3. Place lock washers and nuts onto carriage bolts and tighten the nuts a few threads.
4. Place the head of the carriage bolt into keyhole slots in the front rail and slide to engage the square part of the bolt. Make sure the rip scale (DD) on the front rail and all four brackets are facing up.

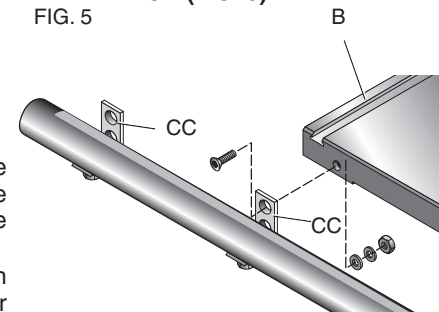


5. Tighten nut finger tight.
6. Repeat for other three brackets.

ATTACH FRONT RAIL WITH BRACKETS TO THE TABLE TOP (FIG. 5)

You will need: 2 – 10 x 30 mm Flat Head Screws
2 – 10 mm Flat Washers
2 – 10 mm Lock Washers
2 – 10 mm Nuts

1. Secure each screw through the upper hole in the center rail brackets (CC) keeping the flat washer, lock washer and nut on the inside of the table (B).
2. Tighten snug, do not overtighten. Tighten center rail bracket nuts, leaving the outer nuts finger tight.

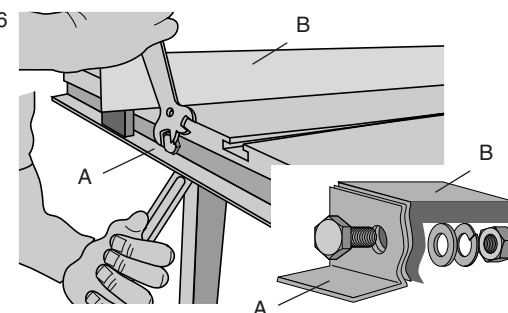


ATTACH REAR RAIL TO THE TABLE TOP (FIG. 6)

You will need: 2 – 10 x 35 mm Hex Head Bolts
2 – 10 mm Flat Washers
2 – 10 mm Lock Washers
2 – 10 mm Nuts

1. Secure rear fence rail (A) to table top (B) using hex head bolts, washers, lock washers and nuts. Keep the washers and nuts on the inside of the table. The flat side should be down unless you are also mounting an accessory (consult accessory instructions for rail mounting details). Make sure ends of the rear rail line up with the ends of the front rail.
2. Tighten snug, do not overtighten.

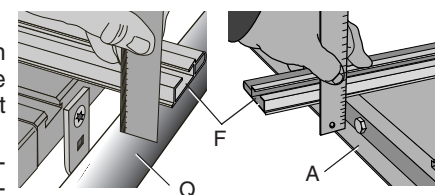
FIG. 6



PARALLEL THE RAILS TO THE TABLE TOP (FIG. 7)

1. Use the fence face (F) to extend the table surface over the front fence rail (Q).
2. Use a ruler to measure the distance between the table top and the rail at both ends of the table top. The distance should be equal at both ends.
3. If adjustment is needed, loosen the mounting screws slightly and tap on the rail brackets with a soft hammer or regular hammer and a block of wood until the distances are the same.
4. Tighten fasteners securely.
5. Repeat for the rear fence rail (A).

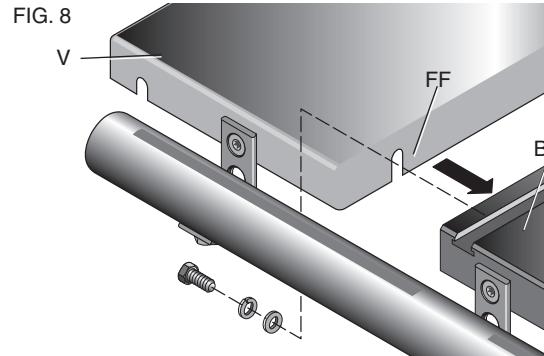
FIG. 7



ATTACH THE LEFT & RIGHT SIDE SUPPORT TABLES (FIG. 8)

You will need: 6 – 10 x 25 mm Hex Head Bolts
6 – 10 mm Flat Washers
6 – 10 mm Lock Washers

1. Install the three bolts, flat washers and lock washers in the holes in the side of the table top (B) as shown. Keep a 1/4" (6.4 mm) gap between the table top and bolt heads.
2. Slide the side support table (V) on the bolts, fitting into the notches (FF). Do tighten nuts.
3. Use the fence face as a guide to flush the support table to the main table edge and snug the front bolt. Repeat this process for the rear bolt. Tighten the center bolt.
4. Repeat on the other side.



ATTACH FRONT AND REAR RAILS TO SUPPORT TABLES (FIG. 9)

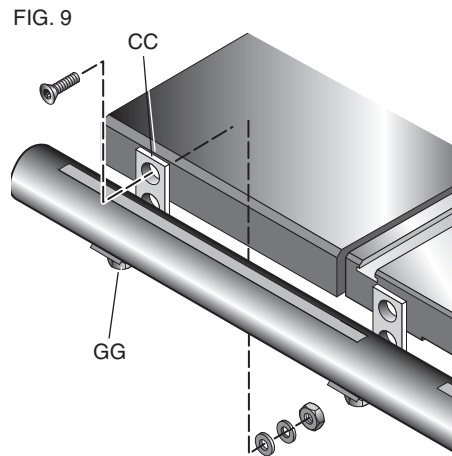
You will need for front rail:

2 – 10 x 30 mm Flat Head Screws
2 – 10 mm Flat Washers
2 – 10 mm Lock Washers
2 – 10 mm Nuts

You will need for rear rail:

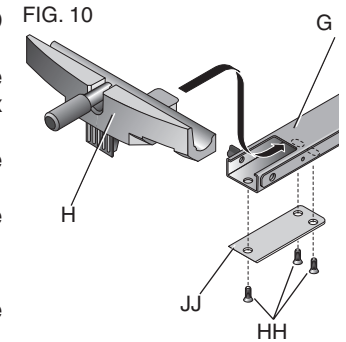
2 – 10 x 25 mm Hex Head Bolts
2 – 10 mm Flat Washers
2 – 10 mm Lock Washers
2 – 10 mm Nuts

1. Align front rail brackets (CC) with the side support table (V) and tighten bracket nuts (GG) to the rail.
2. Attach the support table to the outer front rail brackets with the screws, flat washers, lockwashers and nuts. Keep the washers and nut on the inside of the table.
3. Attach the support table to the outer rear rails with the bolts, flat washers, lockwashers and nuts. Keep the washers and nut on the inside of the table.
4. Using the fence face as a straight edge make sure the support table is level with or slightly below the table top. Adjust if needed and tighten all fasteners.
5. Repeat this procedure for the other support table.



ASSEMBLE THE FENCE BEAM TO THE FENCE HEAD (FIG. 10).

1. Remove the three flat head screws (HH) securing the cover plate (JJ) to the fence beam with the T50 Torx wrench.
2. Turn the rip fence (G) upside down. Slide the fence beam (H) into the rip fence as shown.
3. Flip the fence beam over and install the cover plate and three screws. Tighten snug, do not overtighten.

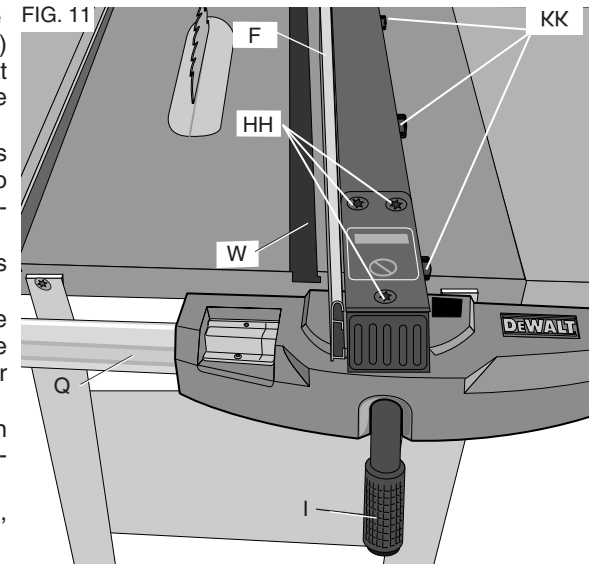


ADJUSTING FENCE TO TABLE TOP (FIG. 11)

IMPORTANT: Check alignment of beam and fence face before each cutting session.

ALIGNING THE RIP FENCE

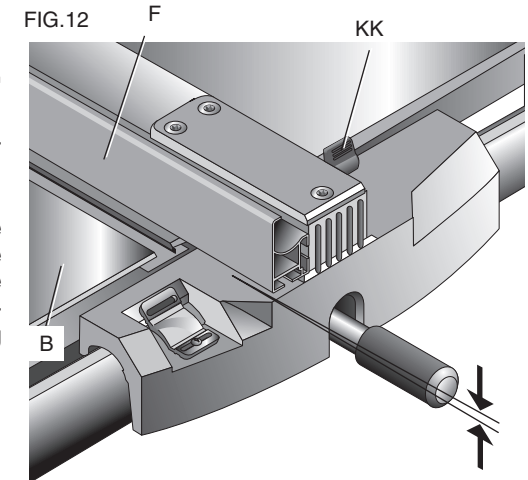
1. Place the fence face (F) on the front rail (Q) and rear rail (A) close to the miter slot (W) at the right-hand side of the table.
2. Loosen the three locking knobs (KK). Allow the fence face to rest on the table top, then tighten the locking knobs (KK).
3. Slightly loosen the three screws (HH).
4. Slide the fence and adjust the beam angle until the fence face is in line with the miter slot (W).
5. Lock the fence beam (H) in place by pushing the rail locking lever (I) down.
6. Tighten the locking knobs (KK), starting with the rearmost two.



ADJUSTING THE FENCE FACE (FIG. 12)

1. Loosen the locking knobs (KK).
2. Set the fence face (F) so it clears the table top (B) by approx. 1/16" (1.6 mm).
3. If desired, adjust the fence face forward or backward.
4. Tighten the locking knobs (KK).

NOTE: For very thin workpieces, the fence face can be set so it rests on the table top. Make sure to set the fence face so it clears the table top by approximately 1/16" (1.6 mm) before moving the fence.

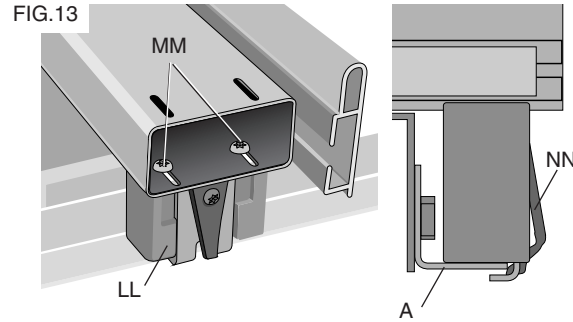


ADJUSTING THE REAR FENCE GLIDE (FIG. 13)

1. Slide the rip fence (G) back and forth to check if it slides freely over the rails.
 2. Lock the rip fence in place using the rail locking lever (I).
- If there is excessive up/down movement in the rear of the fence when locking, the rear fence bracket (LL) needs adjustment.

To adjust:

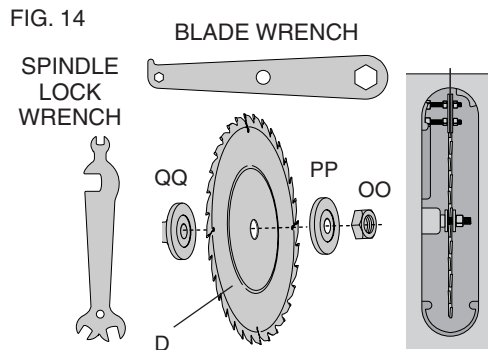
1. Loosen the screws (MM).
2. Set the retaining clip (NN) so that it slightly pushes on the rear rail (A).
3. Tighten the screws.
4. Ensure the fence still slides smoothly. If it does not, the retaining clip (NN) is pushing on the rear rail (A) too strongly.

**TO INSTALL THE SAW BLADE (FIG.14)**

⚠WARNING: Use **ONLY** 10" (254 mm) diameter blades with 5/8" (16 mm) arbor holes, rated at 3600rpm or higher.

⚠WARNING: To reduce the risk of injury. Wear gloves when handling saw blades.

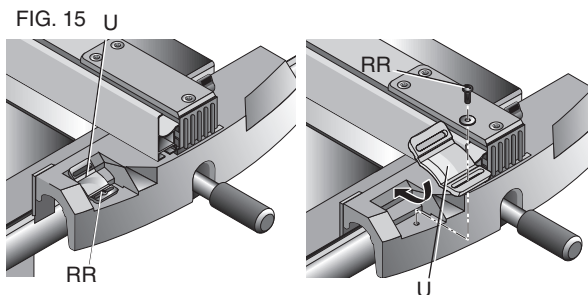
1. Set the blade arbor highest position using the blade height adjustment wheel (M).
2. Remove the nut (OO) and outer clamp washer (PP)
3. Place the blade (D) onto the arbor with the teeth pointing towards the front of the saw.
4. Remount the outer clamp washer (PP) and nut (OO) as shown. Make sure that the saw blade is piloted on the outer clamp washer hub (QQ).
5. Use the spindle lock wrench and blade wrench to tighten the nut.



NOTE: If the nut fall into the interior of the saw, carefully remove it through the dust port.

ADJUST THE FENCE SCALE INDICATOR (FIG. 15).

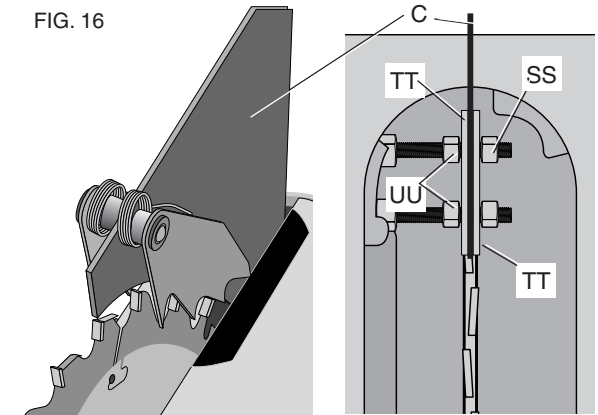
1. Slide the fence until it just touches the blade.
2. Loosen the fence indicator screw (RR) and slide it until the hairline aligns with the "0" line on the scale.
3. Tighten the screw.
4. If the low profile fence face accessory or a wider home-made fence face is used which is out of the adjustment range of the pointer, the pointer (U) can be removed completely, turned 180 degrees, re-installed, and aligned with the "0" line.

**INSTALL THE GUARD AND SPLITTER ASSEMBLY (FIG. 16)**

⚠CAUTION: To prevent snagging of the workpiece, the table insert should be flush or slightly below the surface of the table top and secured in place. The rear of the throat plate should be flush or slightly above the table top. Refer to **Install and Adjust Throat Plate**.

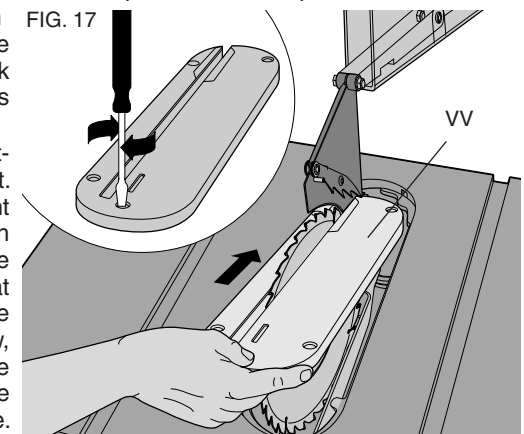
⚠CAUTION: When installing the throat plate, always make certain to hold on to the blade guard. The insert will automatically release the holding action on the splitter and lower the blade guard when it is installed in the table opening.

1. Raise the blade to its highest point.
2. Loosen the outer guard retaining nuts (SS) enough so the splitter (C) will fit between the two guard retaining plates (TT).
3. Install the splitter (C).
4. Using a straight edge, check to ensure the splitter is properly aligned with the blade. If not, the position is adjusted by moving the inner guard clamp nuts (UU) to change the location of the splitter. Make sure there is some clearance between the splitter and the blade and the blade spins freely. If the splitter is tilted relative to the blade, the splitter plate can be bent until it lines up correctly. **IMPORTANT:** THE GUARD SHOULD BE IN PLACE FOR ALL POSSIBLE CUTS. When making non-through cuts, the guard can be easily removed by slightly loosening the outer guard nuts (SS). The guard can easily be replaced without having to readjust the inner nuts.

**INSTALL AND ADJUST THE THROAT PLATE (FIG. 17)**

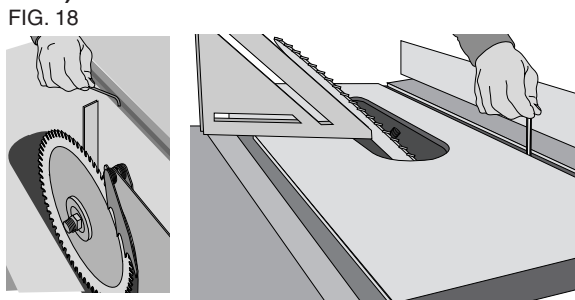
⚠CAUTION: To reduce the risk of injury. The throat plate must be in place at all times.

1. Align the throat plate (VV) as shown and insert the tabs on the back of the throat plate into the holes at the back of the table and lower the plate into its opening.
2. The throat plate includes four adjustment screws which raise or lower it. When properly adjusted, the front of the throat plate should be flush or slightly below the surface of the table top, and the rear of the throat plate should be flush or slightly above the table top. The center front screw, when turned clockwise, will engage a cam under the front lip of the table, locking the throat plate in place. Rotate the screw counterclockwise 1/2 turn to remove the throat plate.



ADJUST THE BEVEL STOPS (FIG. 18)

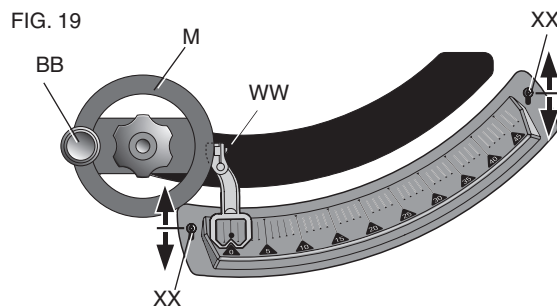
- Using a square, set the blade to exactly "0" degrees. If the blade stops beveling before it gets to 0, loosen the stop set screw (located in the left miter guide slot) with the 5 mm hex wrench and then proceed to "0" degrees. With the blade set at 0, slowly turn the zero stop screw in until you feel resistance. Bevel the blade away from 0 a little then back to the stop.
- Remeasure the angle and repeat the stop adjustment as necessary until the blade stops at 0 degrees.
- Set the 45 stop the same way. The set screw for the 45° stop is located in the right hand miter guide slot.



For some special cuts, the stops can be backed out and the saw will bevel from -2 degrees to 47 degrees.

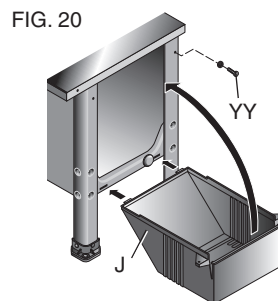
ADJUST THE BEVEL SCALE (FIG. 19)

- Bevel the saw until it hits the zero bevel stop.
- Remove the lock knob (BB) and blade height adjustment wheel (M).
- Adjust the red pointer by loosening the screw (WW) where it attaches to its shaft, move the pointer until it lines up with the 0 line on the scale, and retighten the screw. The pointer should be positioned just barely off of the scale surface.
- Bevel the saw to the 45° stop. If the pointer doesn't point to 45°, loosen the two screws (XX) which hold the scale to the saw front panel and slide the scale up or down until the pointer lines up with the 45 line. Retighten the scale screws.
- Replace the blade height adjustment wheel and lock knob.



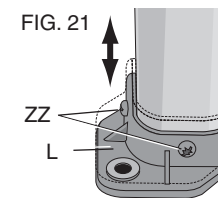
INSTALL THE MOTOR COVER (FIG. 20)

- Remove the two cover screws and washers (YY) from the top of the two side legs with a small flat blade screwdriver.
- Snap the two bottom tabs of the cover (J) into the slots in the right lower crossmember.
- Place the cover in position and reinstall the screws and washers.



LEVEL THE SAW (FIG. 21)

- Place the saw in the location it is going to be used.
- If the saw rocks on the floor, the foot not touching the floor can be lowered to compensate for the uneven floor.
 - Loosen the two screws (ZZ) that hold the foot (L) to the leg. Let the foot fall to the floor surface.
 - Retighten the screws holding the foot to the leg.



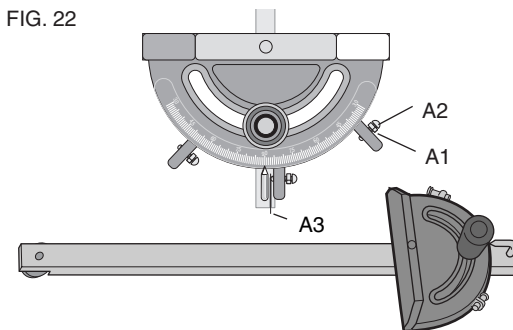
If your saw will have a permanent location, we recommend bolting the feet to the floor using the holes provided.

ADJUSTMENT AND USE OF MITER GAUGE (FIG. 22)

Your miter gauge features adjustable stops at 90° and 45° left and right.

To adjust these stops:

- Loosen the lock nuts (A1) and tighten or loosen the three adjusting screws (A2).
- Check the gauge with a square against the blade and tighten the three adjusting screws.
- To set the miter gauge past the 45 degree stops, flip up the stop plate (A3) and continue to the required angle.



CLEAN THE TABLE TOP

Your saw was shipped with a rust preventive coating which should be removed. Clean the top with mineral spirits or denatured alcohol and apply paste wax. Apply and remove soon afterward to prevent a sticky build-up.

Rip Fence Operation

RAIL LOCK LEVER (FIG. 23)

The rail lock lever (I) locks the fence in place preventing movement during cutting. **To lock the rail lever**, push it down and toward the rear of the saw. **To unlock**, pull it up and toward the front of the saw.

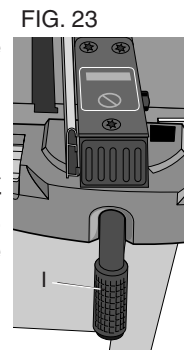
NOTE: When ripping, always lock the rail lock lever.

RIP SCALE POINTER

NOTE: The rip scale pointer will need to be readjusted whenever a thicker or thinner blade is installed. Should you decide to use a thicker face, or the DEWALT low fence face accessory, the scale pointer may be removed and turned 180° to line up with the scale. Refer to **Adjust the Fence Scale Indicator** under *Assembly*.

RIP FENCE CAPACITY

The rip fence will slide beyond the end of the rails in either direction without falling off. Stops are provided to keep the fence attached.



On-Off Switch (Fig. 24)

⚠WARNING: To reduce the risk of injury, be sure switch is in the OFF position before plugging machine in.

Lift the ON/OFF switch (O) paddle up to turn your saw ON and push it down to turn your saw OFF.

A hole (A4) is provided in the switch for insertion of a padlock with a removable shank to lock the saw off.

NOTE: A conventional padlock will not fit.

Saw Blades

⚠CAUTION: Use **ONLY** 10" (254 mm) diameter blades with 5/8" (16 mm) arbor holes, rated at 3600rpm or higher.

1. The saw blade furnished with your new saw is a 10" (254 mm) fine ripping blade, used for ripping (with the grain) through the material, and occasional cross cuts. The center hole to fit on the arbor is 5/8" (16 mm) diameter. This blade will produce a good quality cut for many applications.
2. There are many types of blades available to do specific and special jobs such as cross cut only, rip only, hollow ground, thin plywood, paneling, etc.
3. Use only saw blades designed for maximum safe operating speeds of 5,000 RPM or greater.
4. Saw blades should always be kept sharp. It is recommended that you locate a reputable sharpening service to sharpen your blades when needed.
5. Never stack blades on top of one another to store. Place material such as cardboard between them to keep the blades from coming in contact with one another.

⚠CAUTION: Abrasive wheels should not be used on this saw.

Operation

⚠WARNING: Before using the saw, verify the following each and every time:

1. **ALWAYS** wear proper eye, hearing and respiratory equipment.
2. Blade is tight.
3. Bevel angle and height lock knobs are tight.
4. If ripping, ensure rail fence lock lever is tight and fence is parallel to the blade.
5. If crosscutting, miter gauge knob is tight.
6. The blade guard is properly attached and the anti-kickback teeth are functioning.
7. **ALWAYS** inspect the guard and splitter for proper alignment operation and clearance with saw blade.

Failure to adhere to these common safety rules can greatly increase the likelihood of injury.

⚠WARNING: To reduce the risk of injury, turn unit off and disconnect machine from power source before installing and removing accessories, before adjusting or changing set-ups or when making repairs. An accidental start-up can cause injury.

⚠WARNING: Before connecting the table saw to the power source or operating the saw, always inspect the guard and splitter for proper operation alignment and clearance with saw blade. Personal injury may result.

⚠CAUTION: If your saw makes an unfamiliar noise or if it vibrates excessively, cease operating immediately until the source has been located and the problem corrected.

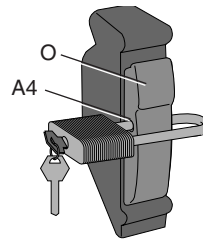
⚠CAUTION: The proper throat plate must be in place at all times to reduce the risk of a thrown workpiece and possible injury.

THIS SAW IS NOT INTENDED FOR CUTTING METAL.

Cutting

⚠WARNING: To reduce the risk of injury, turn unit off and disconnect machine from power source before installing and removing accessories, before adjusting or changing set-ups or when making repairs. An accidental start-up can cause injury.

FIG. 24



⚠WARNING: Before connecting the table saw to the power source or operating the saw, always inspect the guard and splitter for proper operation alignment and clearance with saw blade. Personal injury may result.

There are two basic types of cuts: *ripping* and *crosscutting*. In general, cutting with the grain is ripping and across the grain is crosscutting. However, with man made materials this distinction is somewhat difficult to make. Therefore, cutting a piece of wood to a different width is ripping and cutting across the short dimension is crosscutting. **Neither ripping or crosscutting may be done safely freehand!** Ripping requires the use of the rip fence and crosscutting uses the miter gauge.

Ripping

⚠WARNING: To reduce the risk of injury, turn unit off and disconnect machine from power source before installing and removing accessories, before adjusting or changing set-ups or when making repairs. An accidental start-up can cause injury.

⚠WARNING: Never touch the "free end" of the workpiece or a "free piece" that is cut off, while the power is ON and/or the saw blade is rotating. Piece may contact the blade resulting in a thrown workpiece of possible injury.

⚠WARNING: Keep saw blade guard, splitter and anti-kickback teeth in place and operating properly. Keep teeth sharp. If teeth are not operational, return your unit to the nearest authorized DEWALT service center for repair. The splitter must be in alignment with the saw blade and the teeth must stop a kickback once it has started. Check their action before ripping by pushing the wood under the anti-kickback teeth. The teeth must prevent the wood from being pulled toward the front of the saw.

⚠WARNING: A rip fence should **ALWAYS** be used for ripping operations to prevent loss of control and personal injury. **NEVER** perform a ripping operation freehand. **ALWAYS** lock the fence to the rail.

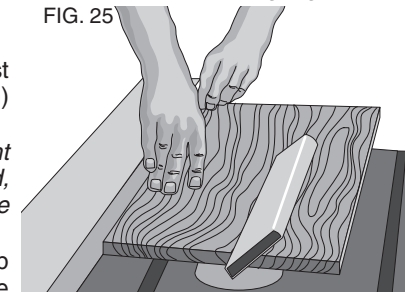
⚠WARNING: When bevel ripping and whenever possible, place the fence on the side of the blade so that the blade is tilted away from the fence and hands. Keep hands clear of the blade and use a push stick to feed the workpiece if there is less than 6" (152 mm) between the fence and the blade.

1. Lock the rip fence by pressing the rail lock lever down. Remove the miter gauge.

2. Raise the blade so it is about 1/8" (3.2 mm) higher than the top of the workpiece.
3. Hold the workpiece flat on the table and against the fence. Keep the workpiece about 1" (25.4 mm) away from the blade.

⚠CAUTION: The workpiece must have a straight edge against the fence and must not be warped, twisted or bowed. Keep both hands away from the blade and away from the path of the blade.

4. Turn the saw on and allow the blade to come up to speed. Both hands can be used in starting the cut. When there is approximately 12" (305 mm) left to be ripped, use only one hand, with your thumb pushing the material, your index and second finger holding the material down and your other fingers hooked over the fence. Always keep your thumb along side your first two fingers and near the fence.
5. Keeping the workpiece against the table and fence, slowly feed the workpiece rearward all the way through the saw blade. Continue pushing the workpiece until it is clear of the guard and it falls off the rear of the table. Do not overload the motor.
6. **NEVER** try to pull the workpiece back with the blade turning. Turn the switch off, allow the blade to stop, raise the anti-kickback teeth on each side of the splitter if necessary and slide the workpiece out.



7. When sawing a long piece of material or a panel, always use a work support. A sawhorse, rollers or out feed assembly provides adequate support for this purpose. **The work support must be at the same height as the saw table.**

Bevel Ripping

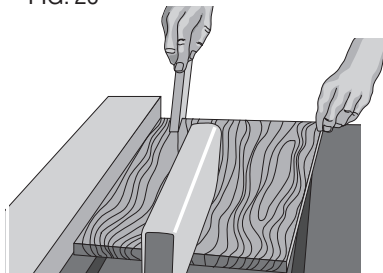
This operation is the same as ripping except the bevel angle is set to an angle other than zero degrees.

⚠WARNING: Before connecting the table saw to the power source or operating the saw, always inspect the guard and splitter for proper alignment and clearance with saw blade. Check alignment after each change of bevel angle.

Ripping Small Pieces

It is unsafe to rip small pieces. It is not safe to put your hands close to the blade. Instead, rip a larger piece to obtain the desired piece. When a small width is to be ripped and the hand cannot be safely put between the blade and the rip fence, use one or more push sticks. A pattern is included on the inside back cover to make push sticks. Use them to hold the workpiece against the table and fence, and push the workpiece fully past the blade

FIG. 26



Crosscutting

⚠WARNING: To reduce the risk of injury, turn unit off and disconnect machine from power source before installing and removing accessories, before adjusting or changing set-ups or when making repairs. An accidental start-up can cause injury.

⚠WARNING: NEVER touch the “free end” of the workpiece or a “free piece” that is cut off, while the power is ON and/or the saw blade is rotating. Piece may contact the blade resulting in a thrown workpiece and possible injury.

⚠WARNING: To reduce the risk of injury, **NEVER** use the fence as a guide or length stop when crosscutting.

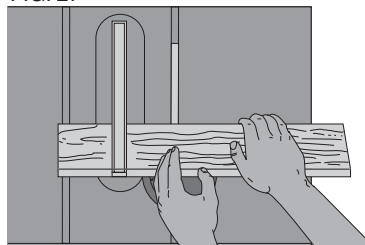
⚠WARNING: NEVER use a length stop on the free end of the workpiece when crosscutting. In short, the cut-off piece in any through-sawing (cutting completely through the workpiece) operation must never be confined — it must be allowed to move away from saw blade to prevent contact with blade resulting in a thrown workpiece and possibly injury.

⚠WARNING: Use caution when starting the cut to prevent binding of the guard against the workpiece resulting in damage to saw and possible injury.

⚠CAUTION: When using a block as a cut-off gauge, the block must be at least 3/4" (19 mm) thick and is very important that the rear end of the block be positioned so the workpiece is clear of the block before it enters the blade to prevent contact with blade resulting in a thrown workpiece and possibly injury.

1. Remove the rip fence and place the miter gauge in the desired slot.
2. Adjust the blade height so that the blade is about 1/8" (3.2 mm) higher than the top of the workpiece.
3. Hold the workpiece firmly against the miter gauge with the path of the blade in line with the desired cut location. Keep the workpiece an inch or so in front of the blade. **KEEP BOTH HANDS ON THE MITER GAUGE, AWAY FROM THE BLADE AND THE PATH OF THE BLADE.**

FIG. 27



4. Start the saw motor and allow the blade to come up to speed.

5. While using both hands to keep the workpiece against the face of the miter gauge, and holding the workpiece flat against the table, slowly push the workpiece through the blade.
6. **NEVER** try to pull the workpiece back with the blade turning. Turn the switch off, allow the blade to stop, and carefully slide the workpiece out.

Bevel Crosscutting

This operation is the same as crosscutting except that the bevel angle is set to an angle other than 0 degrees. For proper hand position, refer to Figure 28.

⚠WARNING: To reduce the risk of injury, turn unit off and disconnect machine from power source before installing and removing accessories, before adjusting or changing set-ups or when making repairs. An accidental start-up can cause injury.

⚠WARNING: Use caution when starting the cut to prevent binding of the guard against the workpiece resulting in damage to saw and possible personal injury.

⚠WARNING: Before connecting the table saw to the power source or operating the saw, always inspect the guard and splitter for proper operation alignment and clearance with saw blade. Check alignment after each change of bevel angle.

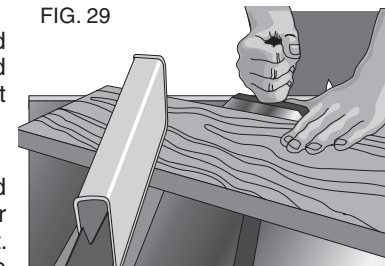
Mitering

⚠WARNING: Miter angles greater than 45° may force the guard into the saw blade causing damage to the guard and personal injury. Before starting the motor, test the operation by feeding the workpiece into the guard. If the guard contacts the blade, place the workpiece under the guard, not touching the blade, before starting the motor.

⚠CAUTION: Certain workpiece shapes, such as molding may not lift the guard properly. Feed the workpiece slowly to start the cut. If the guard contacts the blade, place the workpiece under the guard, not touching the blade, before starting the motor.

This operation is the same as crosscutting except the miter gauge is locked at an angle other than 0°. Hold the workpiece **FIRMLY** against the miter gauge and feed the workpiece slowly into the blade (to prevent the workpiece from moving).

FIG. 29



MITER GAUGE OPERATION

To set your miter gauge, loosen the lock handle and move the miter gauge to the desired angle. The miter gauge has set stops and 90° and 45° left and right. To rotate the miter gauge beyond these stops, flip the stop plate up.

Compound Mitering

This is a combination of bevel crosscutting and mitering. Follow the instruction for both, bevel crosscutting and mitering.

Dado Cutting

⚠WARNING: To reduce the risk of injury, turn unit off and disconnect machine from power source before installing and removing accessories, before adjusting or changing set-ups or when making repairs. An accidental start-up can cause injury.

⚠WARNING: Use push sticks, hold-downs, jigs, fixtures or feather boards to help guide and control the workpiece when the guard cannot be used to prevent personal injury.

⚠WARNING: For non-through cutting operations, such as dadoing and molding, the blade guard and splitter assembly **MUST BE** removed. **ALWAYS** return and fasten the blade guard and splitter assembly to its proper operating position for normal through-sawing operations.

⚠CAUTION: DO NOT attempt to stack or adjust dado blades thicker than 13/16" (20 mm). Do not use dado blades larger than 8" (200 mm) diameter. Always check dado blade clearance before plugging in the saw to prevent damage to saw and personal injury.

Because dado cuts are not through cuts, the cuts must be performed with the blade guard removed. To remove the blade guard, loosen the two bolts (SS) shown in Figure 16 and remove the guard assembly.

Anytime a cut is required that is considerably wider than the saw kerf, a dado is used. When using the dado, the special dado insert (also sold as an accessory) must be used. When installing the dado blade set, it may be necessary to eliminate the outer clamp washer from the assembly in order to capture sufficient thread to safely hold the dado blade set.

A dado cut is commonly used to add support and line up a shelf for a cabinet, bookcase or some such project. When using the dado, the guard must be removed. Use EXTREME care when using the dado without the guard. If a deep cut is required, use several successive passes rather than attempting to make it with one pass. Maximum dado width on this saw is 13/16" (20 mm). **DO NOT USE WIDER COMBINATIONS.**

When cutting with a dado blade use dust collection to prevent heavy dust loads from piling up under the saw and on the fan intake on the motor. Clean these areas often.

Dust Collection

Your table saw is equipped with a dust shroud and dust collection port. For best results, connect a vacuum to the port (T) at the rear of the saw.

If the saw is operated without a vacuum attached, most of the dust will be blown out the dust collection port. After extended use, the saw's dust collection system may become clogged.

TO CLEAR THE DUST COLLECTION SYSTEM

- Unplug the saw.
- Use a paint stick or long screwdriver to loosen debris and cut-offs and pass it out through the port.

When cutting wet wood without a vacuum, making long narrow cut-offs or when cutting with a dado blade, clean the dust collection port each time. If you find you are clogging the port often, the dust port elbow may be removed by loosening the two screws where it attaches to the dust shroud. A dust collection hose can then be attached directly to the shroud as long as the saw is not beveled past 35°.

MAINTENANCE

⚠WARNING: To reduce the risk of injury, turn unit off and disconnect machine from power source before installing and removing accessories, before adjusting or changing set-ups or when making repairs. An accidental start-up can cause injury.

Cleaning

⚠WARNING: When cleaning, use only mild soap and a damp cloth on plastic parts. Many household cleaners contain chemicals which could seriously damage plastic. Also, do not use gasoline, turpentine, lacquer or paint thinner, dry cleaning fluids or similar products

which may seriously damage plastic parts. Never let any liquid get inside the tool; never immerse any part of the tool into a liquid.

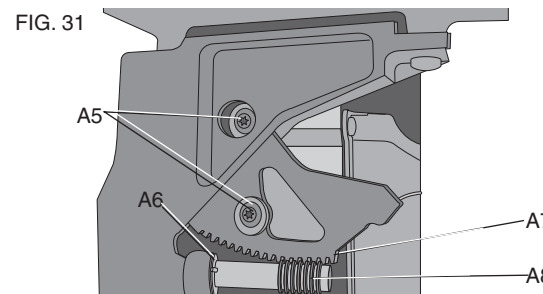
TABLE TOP

Protect your investment. Keep your table saw clean. If you notice signs of rust, steel wool the areas, clean with mineral spirits or denatured alcohol and apply paste wax.

Over time, the lubricants used in the mechanism of your table saw may need to be replenished.

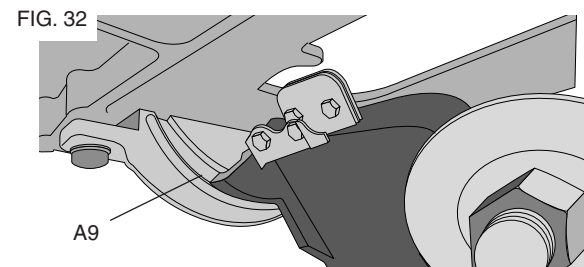
HEIGHT AND BEVEL GEAR (FIG. 31)

- Clean accumulated sawdust from the gears and the worms with a stiff brush.
- Remove built up pitch or resin from the gears and the worms with a stiff brush. You may need to use a solvent such as mineral spirits to remove it.
- Reapply grease to the worms (A8), gears (A7) and the washer/pin assembly (A6). You can also apply paste wax to the gears if you find that the grease is attracting too much sawdust.
- If any backlash has occurred in the bevel system, you can readjust the bevel gear clearance. To adjust:
 - Loosen the two screws (A5) holding the gear to the cradle, let the gear fall into tighter mesh
 - Lightly tighten the screws and rotate the worm one full turn to set the gear height. Tighten the gear retaining screws. **NOTE:** This adjustment must be made at 0° bevel.



BEVEL PIVOT

The bevel pivot trunnions, both front and back should also be maintained. First clean them like the gears were cleaned. Then apply grease into the curved slots (A9) and bevel the saw back and forth to distribute the grease.



ARBOR PIVOT

You may also need to lubricate the arbor pivot pin (A10). This can be done by applying a light oil at both the base and top of the pivot pin.

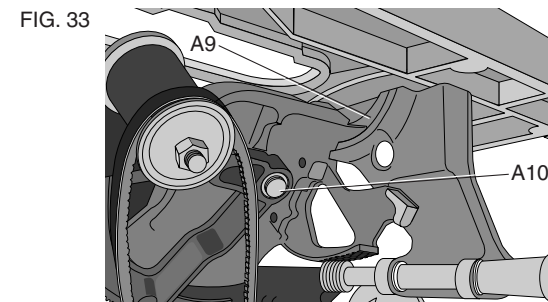
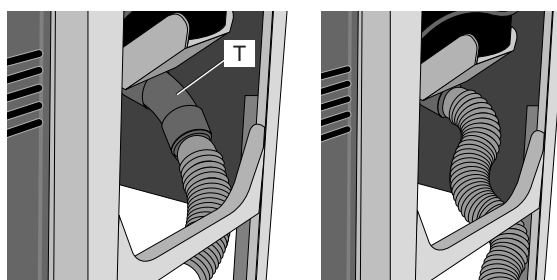


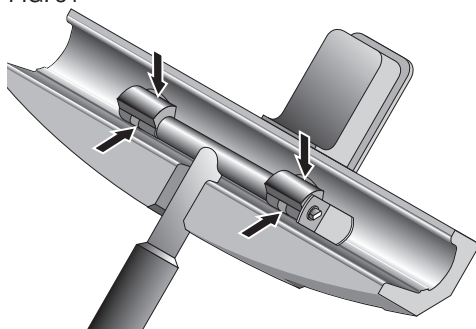
FIG. 30



Lubricating Fence Head

The moving parts of your fence head should be periodically greased. This includes the area between the cams and locking levers, and between the cams and the fence head casting.

FIG. 34

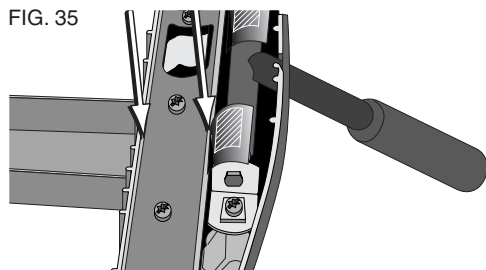


Maintaining Fence System

Your fence should always slide freely. If it seems to require excessive force to slide or if it feels rough, wipe the rails and fence head gliding surface with a cloth or paper towel. Check the movement again. If it still feels rough, clean the fence head with a mild solvent such as denatured alcohol or mineral spirits. Re-coat the rail with a heavy coat of paste wax or a light oil. Slide the fence head back and forth several times to coat the rail and fence. Wipe off any excess wax or oil from the rail.

If the fence head glide strips (arrows, Figure 35) become worn or damaged, it can easily be replaced. Consult your local DEWALT Service Center for parts and assistance.

FIG. 35



Accessories

WARNING: Since accessories, other than those offered by DEWALT, have not been tested with this product, use of such accessories with this tool could be hazardous. To reduce the risk of injury, only DEWALT, recommended accessories should be used with this product.

If you need assistance in locating any accessory for your tool, please contact DEWALT Industrial Tool Co., 701 East Joppa Road, Baltimore, MD 21286, call 1-800-4-DEWALT (1-800-433-9258) or visit our website www.dewalt.com.

DEWALT manufactures the following accessories for your saw:

- Mobile base
- Sliding Table and Premium Gauge
- Iron Wing
- Outfeed Table
- 52" Rail System
- Dado Throat Plate
- Steel Wing
- 30" Rail System
- Low Profile Fence Face
- Enhanced Miter Gauge

WARNING: Accessories mounted to the arbor shaft must be rated at a higher rpm than that shown on the tool (not motor) nameplate. Destruction to accessory and possibly injury may result.

Repairs

To assure product SAFETY and RELIABILITY, repairs, maintenance and adjustment (including brush inspection and replacement) should be performed by a DEWALT factory service center, a DEWALT authorized service center or other qualified service personnel. Always use identical replacement parts.

Three Year Limited Warranty

DEWALT will repair, without charge, any defects due to faulty materials or workmanship for three years from the date of purchase. This warranty does not cover part failure due to normal wear or tool abuse. For further detail of warranty coverage and warranty repair information, visit www.dewalt.com or call 1-800-4-DEWALT (1-800-433-9258). This warranty does not apply to accessories or damage caused where repairs have been made or attempted by others. This warranty gives you specific legal rights and you may have other rights which vary in certain states or provinces.

In addition to the warranty, DEWALT tools are covered by our:

1 YEAR FREE SERVICE

DEWALT will maintain the tool and replace worn parts caused by normal use, for free, any time during the first year after purchase.

90 DAY MONEY BACK GUARANTEE

If you are not completely satisfied with the performance of your DEWALT Power Tool, Laser, or Nailer for any reason, you can return it within 90 days from the date of purchase with a receipt for a full refund – no questions asked.

LATIN AMERICA: This warranty does not apply to products sold in Latin America. For products sold in Latin America, see country specific warranty information contained either in the packaging, call the local company or see website for warranty information.

FREE WARNING LABEL REPLACEMENT: If your warning labels become illegible or are missing, call 1-800-4-DEWALT for a free replacement.



- USE SAW BLADE GUARD AND SPLITTER FOR EVERY OPERATION WHICH IT CAN BE USED, INCLUDING ALL THROUGH SAWING.
- KEEP HANDS OUT OF THE LINE OF SAW BLADE.
- USE A PUSH-STICK WHEN REQUIRED.

⚠ DANGER PELIGRO

KEEP HANDS AWAY FROM BLADE
MANTENGASE ALEJADO DE LA HOJA DE SIERRA



DW746

BLADE 10", 250mm

NOTE: USE 120 VOLT, 15 AMP BRANCH CIRCUIT PROTECTED BY A CIRCUIT BREAKER OR 15 AMP HEAVY DUTY TIME DELAY FUSE MARKED "DF".

PATENTS PENDING
SER. [REDACTED]

WARNING: FOR YOUR OWN SAFETY, READ INSTRUCTION MANUAL BEFORE OPERATING SAW. • ALWAYS WEAR EYE PROTECTION. • DO NOT WEAR GLOVES, NECKTIES, JEWELRY OR LOOSE CLOTHING. • CONTAIN LONG HAIR. • KEEP HANDS AND FINGERS OUT OF THE SAW BLADE PATH - USE EXTRA CAUTION WHEN BEVELING. • USE SAW-BLADE GUARD AND SPREADER FOR EVERY OPERATION FOR WHICH IT CAN BE USED, INCLUDING ALL THROUGH SAWING. • USE A "PUSH STICK" WHEN REQUIRED. • KNOW HOW TO AVOID KICKBACKS - SEE MANUAL. ALWAYS SUPPORT WORK WITH TABLE AND FENCE OR MITER GAGE. DO NOT PERFORM ANY OPERATION FREE HAND. • NEVER USE FENCE AND MITER GAGE TOGETHER. • NEVER REACH AROUND OR OVER SAW BLADE. • SECURELY MOUNT SAW BLADE BEFORE OPERATING. • NEVER REMOVE JAMMED OR CUT-OFF PIECES UNTIL POWER IS OFF AND BLADE HAS STOPPED. • DO NOT EXPOSE TO RAIN OR USE IN DAMP LOCATIONS. • DO NOT OPERATE THIS MACHINE WHILE UNDER THE INFLUENCE OF ALCOHOL OR DRUGS. • WHEN SERVICING USE ONLY IDENTICAL REPLACEMENT PARTS. • FAILURE TO COMPLY WITH THESE WARNINGS MAY RESULT IN SERIOUS PERSONAL INJURY.

AVERTISSEMENT: POUR S'ASSURER DU FONCTIONNEMENT SÛR, LIRE LE GUIDE D'UTILISATION. NE PAS EXPOSER À LA PLUIE NE PAS UTILISER DANS LES EMPLACEMENTS HUMIDES. SI CETTE MACHINE EST CONNECTÉE À UN CIRCUIT PROTÉGÉ PAR DES FUSIBLES, EMPLOYER DES FUSIBLES À ACTION DIFFÉRÉE MARQUÉS D.

DEWALT INDUSTRIAL TOOL CO., BALTIMORE, MD 21286 USA
FOR SERVICE INFORMATION, CALL 1-800-4-DEWALT
www.Dewalt.com

Troubleshooting

SAW WILL NOT START	WHAT TO DO
1. Saw not plugged in.	1. Plug in saw.
2. Fuse blown or circuit breaker tripped.	2. Replace fuse or reset circuit breaker.
3. Cord damaged.	3. Have cord replaced by authorized service center.
SAW MAKES UNSATISFACTORY CUTS	WHAT TO DO
1. Dull blade.	1. Replace blade. Page 8.
2. Blade mounted backwards	2. Turn blade around. Page 8.
3. Gum or pitch on blade.	3. Remove blade and clean with turpentine and coarse steel wool or household oven cleaner.
4. Incorrect blade for work being done.	4. Change blade type. Page 8.
BLADE DOES NOT COME UP TO SPEED	WHAT TO DO
1. Extension cord too light or too long.	1. Replace with adequate size cord. Page 1.
2. Low house current	2. Contact your electric power company.
3. Belt worn or broken.	3. Replace belt. See DEWALT service center
MACHINE VIBRATES EXCESSIVELY	WHAT TO DO
1. Saw on uneven floor	1. Reposition on flat surface. Adjust feet to stabilize. Page 9.
2. Damaged saw blade.	2. Replace blade. Page 8.
3. Saw not secured to floor.	3. Fasten saw to floor.
4. Damaged belt.	4. Replace belt.
INACCURATE MITER CUTS	WHAT TO DO
1. Miter gauge not adjusted correctly	1. Check and adjust. Page 9.
2. Miter gauge not square to blade.	2. Check and adjust. Page 9.
3. Blade not perpendicular to table.	3. Check and adjust bevel stops. Page 9.
4. Workpiece moving.	4. Clamp workpiece to miter head face. Glue 120 grit sandpaper to miter head face.
MATERIAL BINDING DURING CUT	WHAT TO DO
1. Cutting bowed material.	1. Material should be laid flat at the point of cut and supported with scrap and/or miter gauge.
2. Fence not aligned parallel to blade.	2. Align fence. Page 7.
3. Splitter not aligned with blade.	3. Align splitter. Page 8.

INACCURATE RIP CUTS	WHAT TO DO
1. Rip scale pointer not aligned.	1. Adjust pointer. Page 8.
INACCURATE BEVEL CUTS	WHAT TO DO:
1. Bevel scale not adjusted.	1. Adjust scale. Page 9.
2. Bevel stops not adjusted.	2. Adjust bevel stops. Page 9.
REAR OF FENCE POPS UP WHEN FENCE LOCKS	WHAT TO DO
1. Rear clip not engaged with rear rail.	1. Re-attach fence. Be sure clip is engaged. Page 8.
2. Rear cap/clip not positioned correctly	2. Adjust rear cap position. Page 8.
FENCE DOES NOT SLIDE FREELY	WHAT TO DO
1. Fence drags or hops as it is moved.	1. Clean front and rear rails. Reapply wax. Page 13.
2. Rear cap/clip interferes rear of saw.	2. Adjust rear cap position. Page 7.
FENCE HITS TABLE TOP OR GAP CHANGES AS IT IS SLID ALONG THE RAILS	WHAT TO DO
1. Front and/or rear rail not parallel to table.	1. Adjust rails so that they are parallel. Page 6.
2. Support tables not aligned with table top	2. Adjust support tables to align with top. Page 7.
3. Fence face drags along table surface.	3. Adjust fence face. Page 7.
HEIGHT OR BEVEL CRANKS HARD TO TURN	WHAT TO DO
1. Crank locks engaged.	1. Loosen lock knob 1/4 to 1/2 turn.
2. Sawdust, pitch on height or bevel gears making operation difficult.	2. See Maintenance, page 12.
DUST PORT CLOGS	WHAT TO DO
1. Vacuum not attached	1. Attach vacuum. Page 12.
2. Cutting small slivers or chunks	2. Remove dust port. Use paint stick or screwdriver to dislodge debris or leave port off. Page 12.

Définitions : lignes directrices en matière de sécurité

Les définitions ci-dessous décrivent le niveau de danger pour chaque mot-indicateur employé. Veuillez lire le mode d'emploi et porter une attention particulière à ces symboles.

⚠ DANGER : indique une situation dangereuse imminente qui, si elle n'est pas évitée, causera la mort ou des blessures graves.

⚠ AVERTISSEMENT : indique une situation potentiellement dangereuse qui, si elle n'est pas évitée, pourrait se solder par un décès ou des blessures graves.

⚠ MISE EN GARDE : indique une situation potentiellement dangereuse qui, si elle n'est pas évitée pourrait se solder par des blessures mineures ou modérées.

MISE EN GARDE : utilisé sans le symbole d'alerte à la sécurité, indique une situation potentiellement dangereuse qui, si elle n'est pas évitée pourrait se solder par des dommages à la propriété.

SI VOUS AVEZ DES QUESTIONS OU VOUS VOULEZ NOUS FAIRE PART DE VOS COMMENTAIRES CONCERNANT CET OUTIL OU TOUT AUTRE OUTIL DEWALT, COMPOSEZ SANS FRAIS LE : 1-800-4-DEWALT (1-800-433-9258).

Règles de sécurité générales

⚠ AVERTISSEMENT : lire toutes les directives avant d'utiliser le produit. Tout manquement aux directives suivantes pose des risques de choc électrique, d'incendie et/ou de blessure grave.

CONSERVER CES DIRECTIVES

⚠ AVERTISSEMENT : SUIVRE TOUS LES CODES DE CÂBLAGE et les branchements électriques recommandés afin d'éviter tout choc électrique ou électrocution.

Directives relatives à la mise à la terre

Si la scie est mise à la terre (intégré), lire les directives suivantes.

⚠ DANGER : RISQUE D'ÉLECTROCUTION. LE PRÉSENT APPAREIL DOIT ÊTRE MIS À LA TERRE LORS DE SON UTILISATION. DE GRAVES BLESSURES PEUVENT SURVENIR.

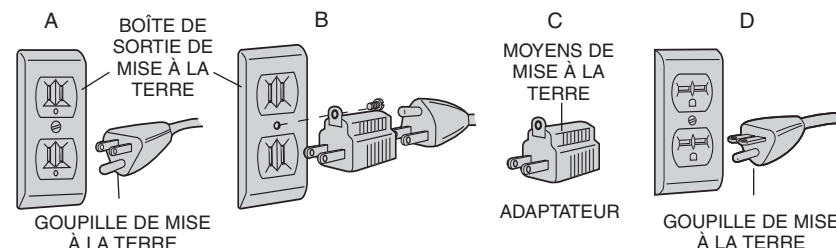
POUR TOUS LES APPAREILS MIS À LA TERRE, BRANCHÉS À UN CORDON D'ALIMENTATION :

En cas de défaillance ou de panne, la mise à la terre permet un cheminement de moindre résistance pour le courant électrique afin de réduire le risque de choc électrique. Cet appareil est muni d'un cordon d'alimentation doté d'un conducteur de mise à la terre d'équipement et d'une fiche de mise à la terre. La fiche doit être branchée sur une prise de courant correspondante qui est installée et mise à la terre conformément à tous les codes et à toutes les ordonnances à l'échelle locale. Ne pas modifier la fiche fournie; si elle ne s'insère pas dans la prise de courant, faire installer une prise appropriée par un électricien professionnel. Si le conducteur de mise à la terre d'équipement n'est pas correctement connecté, ceci peut provoquer un choc électrique. Le conducteur de mise à la terre d'équipement est le conducteur avec isolation qui a une surface extérieure verte avec ou sans rayures jaunes. S'il est nécessaire de faire réparer ou remplacer le cordon électrique ou la fiche, ne pas connecter le conducteur de mise à la terre d'équipement à une borne sous tension. Vérifier auprès d'un électricien ou d'un personnel de réparation professionnel si les directives de mise à la terre ne sont pas parfaitement comprises ou en cas de doute sur le fait que l'appareil soit correctement mis à la terre ou non. Utiliser uniquement une rallonge à 3 fils pourvue d'une fiche de

mise à la terre à 3 lames et une prise à 3 conducteurs correspondant à la fiche de l'appareil comme le montre la fig. A. Réparer ou remplacer immédiatement le cordon s'il est endommagé ou usé.

POUR LES APPAREILS MIS À LA TERRE ET BRANCHÉS À UN CORDON D'ALIMENTATION UTILISÉ SUR UN CIRCUIT D'ALIMENTATION DE RÉGIME NOMINAL INFÉRIEUR À 150 V :

Si l'appareil est utilisé sur un circuit dont la prise de courant ressemble à celle de la fig. A, il aura alors une fiche de mise à la terre semblable à celle de la fig. A. Un adaptateur temporaire, qui ressemble à celui de la fig. B, peut être utilisé pour connecter cette fiche à une prise à 2 conducteurs, comme le montre la fig. B, s'il n'existe aucune prise de courant correctement mise à la terre. L'adaptateur temporaire ne doit être utilisé que jusqu'à ce qu'un électricien qualifié puisse installer une prise électrique correctement mise à la terre. La patte rigide verte, la cosse et tout élément semblable sortant de l'adaptateur doivent être correctement branchés à une masse permanente comme une boîte de sortie mise à la terre. Chaque fois que l'adaptateur est utilisé, il doit être maintenu en place par une vis métallique.



REMARQUE : Au Canada, l'utilisation d'un adaptateur temporaire n'est pas autorisée par le Code électrique canadien.

⚠ DANGER : DANS TOUS LES CAS, S'ASSURER QUE LA PRISE DE COURANT EN QUESTION EST CORRECTEMENT MISE À LA TERRE. EN CAS DE DOUTE, DEMANDER À UN ÉLECTRICIEN PROFESSIONNEL DE VÉRIFIER LA PRISE.

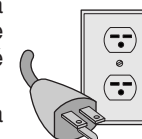
Fonctionnement monophasé à 240 volts

Le moteur fourni avec la machine est un moteur bitension de 120/240 volts. Il est livré, prêt à fonctionner, sous tension de 120 volts. Toutefois, il peut être converti au fonctionnement sous 240 volts. La conversion doit être réalisée par un électricien qualifié, ou il faut apporter la machine à un centre de réparation DEWALT autorisé. Suite à la conversion, la machine doit être conforme au Code électrique national et à tous les codes et à toutes les ordonnances à l'échelle locale.

La conversion exige un recâblage du moteur pour 240 volts grâce à l'installation d'une fiche de 240 volts sur le cordon d'alimentation et le remplacement de l'interrupteur (le cas échéant) par un autre homologué pour un fonctionnement à 240 volts.

La scie avec la fiche de 240 volts doit être branchée **UNIQUEMENT** à une prise de même configuration que celle indiquée dans l'illustration. Aucun adaptateur n'est disponible ou ne devrait être utilisé avec la fiche de 240 volts.

⚠ DANGER : DANS TOUS LES CAS, S'ASSURER QUE LA PRISE DE COURANT EN QUESTION EST CORRECTEMENT MISE À LA TERRE. EN CAS DE DOUTE, DEMANDER À UN ÉLECTRICIEN QUALIFIÉ DE VÉRIFIER LA PRISE.



Double isolation

Si la scie est à double isolation, lire les directives suivantes.

Les outils à double isolation comportent partout deux couches d'isolant électrique séparées ou une double épaisseur de matériau isolant entre l'opérateur et le système électrique de l'outil. Les outils comportant ce système d'isolation ne sont pas conçus pour être mis à la terre. Votre outil est donc doté d'une prise à deux broches qui vous permet d'utiliser des cordons d'alimentation sans vous soucier de maintenir une connexion à la terre. Réparer ou remplacer immédiatement le cordon s'il est endommagé ou usé.

REMARQUE : la double isolation ne remplace pas les précautions normales de sécurité lors de l'utilisation de cet outil. Le système d'isolation sert à apporter une protection accrue contre toute blessure résultant d'une défaillance d'isolation électrique au sein de l'outil.

FICHES POLARISÉES

Pour réduire le risque de chocs électriques, le présent appareil comporte une fiche polarisée (une broche est plus large que l'autre). Cette fiche ne se branche que d'une seule façon dans une prise de courant polarisée. Si la fiche ne s'insère pas totalement dans la prise de courant, l'inverser. Si elle ne s'insère toujours pas dans la prise, demander à un électricien compétent d'installer une fiche polarisée. Ne pas remplacer la fiche.

Directives de sécurité importantes

- **POUR RÉDUIRE LE RISQUE D'EFFET DE REBOND, CONSERVER LES DISPOSITIFS DE PROTECTION EN PLACE** et en bon état de fonctionnement.
- **RETIRER LES CLÉS À MOLETTE ET LES CLÉS DE RÉGLAGE.** S'habituer à vérifier si les clés à molette et les clés de réglage sont retirées de la broche avant de mettre l'outil sous tension. Des outils, chutes, et autres débris peuvent être projetés à grande vitesse, provoquant des blessures.
- **GARDER LA ZONE DE TRAVAIL PROPRE.** Les zones et établis encombrés sont souvent des causes d'accidents.
- **NE PAS UTILISER LE PRÉSENT APPAREIL DANS UN ENVIRONNEMENT DANGEREUX.** L'utilisation d'outils électriques dans un endroit humide ou mouillé ou sous la pluie peut provoquer un choc électrique ou une électrocution. Tenir la zone de travail bien éclairée pour éviter de trébucher ou de mettre vos bras, mains et doigts en danger.
- **TENIR LES ENFANTS À L'ÉCART.** Tous les visiteurs doivent se trouver à une distance sûre de la zone de travail. L'atelier représente un environnement potentiellement dangereux.
- **S'ASSURER QUE L'ATELIER NE PRÉSENTE PAS DE DANGER POUR LES ENFANTS** en utilisant des cadenas, des interrupteurs principaux ou en retirant les clés de démarrage. Le démarrage non autorisé d'un appareil par un enfant ou un visiteur pourrait se solder par des blessures.
- **NE PAS FORCER L'OUTIL.** Le travail sera mieux accompli et sera moins dangereux au rythme prévu pour l'appareil.
- **UTILISER L'OUTIL APPROPRIÉ.** Ne pas forcer un outil ou un accessoire à accomplir un travail pour lequel il n'a pas été conçu. L'utilisation de l'outil ou de l'accessoire de façon incorrecte pourrait se solder par des blessures corporelles.
- **UTILISER LA RALLONGE APPROPRIÉE.** S'assurer que la rallonge est en bon état. Si le produit est doté d'un cordon d'alimentation, utiliser uniquement une rallonge à 3 fils pourvue d'une fiche de mise à la terre à 3 lames et une prise à 3 fentes correspondant à la fiche de l'outil. Lorsque qu'une rallonge électrique est utilisée, s'assurer d'en utiliser une de calibre suffisamment élevé pour assurer le transport du courant nécessaire au fonctionnement de l'appareil. Un cordon de calibre inférieur causera une chute de tension de ligne et donc une perte de puissance et une surchauffe. Le tableau suivant

indique le calibre approprié à utiliser selon la longueur du cordon et l'intensité nominale de la plaque signalétique. En cas de doute, utiliser le calibre suivant le plus gros. Plus le numéro de calibre est petit, plus le cordon est lourd.

CALIBRE MINIMUM POUR RALLONGE

Volts Longueur totale de la rallonge en pieds

120 V	0-25	26-50	51-100	101-150
240 V	0-50	51-100	101-200	201-300

Intensité nominale

Plus de	Pas plus de	AWG			
0	- 6	18	16	16	14
6	- 10	18	16	14	12
10	- 12	16	16	14	12
12	- 16	14	12	Non recommandé	

- **PORTER LES VÊTEMENTS APPROPRIÉS.** Ne pas porter ni vêtement ample, ni gant, ni cravate, ni bague, ni bracelet, ni autre bijou, car ces derniers pourraient s'enchevêtrer dans des pièces mobiles. Des souliers antidérapants sont recommandés. Se couvrir les cheveux s'ils sont longs. Se tenir éloigné des événements, car ces derniers pourraient camoufler des pièces mobiles.
- **TOUJOURS PORTER DES LUNETTES DE SÉCURITÉ.** Les lunettes de vue ne constituent PAS des lunettes de sécurité. Utiliser également un masque facial ou anti-poussière si l'opération de découpe génère de la poussière. TOUJOURS porter un équipement de protection homologué :
 - protection oculaire conforme à la norme ANSI Z87.1 (CAN/CSA Z94.3);
 - protection auditive ANSI S12.6 (S3.19) et;
 - protection des voies respiratoires conformes aux normes NIOSH/OSHA/MSHA.
- **NE PAS TROP TENDRE LES BRAS.** Conserver son équilibre en tout temps. Une perte d'équilibre risquerait d'entraîner une blessure corporelle.
- **PRENDRE SOIN DES OUTILS.** S'assurer que les lames sont aiguisées et propres afin d'optimiser sécurité et performance. Suivre les consignes de graissage et de changement d'accessoires. Les lames et les appareils mal entretenus peuvent s'endommager davantage et/ou provoquer des blessures.
- **ÉTEINDRE L'APPAREIL ET COUPER LE COURANT** avant d'installer ou de retirer des accessoires, avant tout réglages ou modifications de celles-ci, lors de réparation ou de déplacements de l'appareil. Lors du branchement/débranchement de la fiche, prendre garde de ne pas toucher à ses lames métalliques. Un démarrage accidentel peut provoquer des blessures.
- **RÉDUIRE LE RISQUE DE DÉMARRAGE ACCIDENTEL.** S'assurer que l'interrupteur se trouve sur la position d'arrêt avant de brancher le cordon d'alimentation. En cas de panne de courant, mettre l'interrupteur sur la position d'arrêt. Un démarrage accidentel peut provoquer des blessures.
- **UTILISATION DES ACCESSOIRES RECOMMANDÉS.** N'utiliser que les accessoires conseillés par le fabricant pour le modèle de votre outil. Des accessoires qui conviennent à un outil pourraient être dangereux lorsqu'ils sont utilisés avec un autre outil. Une liste des accessoires recommandés se trouve dans le mode d'emploi. L'utilisation d'accessoires inappropriés peut entraîner un risque de blessure corporelle.
- **NE JAMAIS SE TENIR SUR L'OUTIL.** Une blessure grave pourrait se produire en cas de basculement de l'outil ou de démarrage accidentel de l'outil de découpe.
- **VÉRIFIER QUE LES PIÈCES NE SONT PAS ENDOMMAGÉES.** Avant toute utilisation ultérieure de l'outil, un protège-lame (ou une autre pièce) endommagé doit être soigneusement examiné afin de déterminer s'il fonctionnera correctement et s'il remplira

sa fonction prévue – vérifier l'alignement des pièces mobiles, la présence de grippage des pièces mobiles, la rupture de pièces, la fixation et tout problème pouvant nuire au fonctionnement de l'outil. Un protège-lame (ou toute autre pièce) endommagé doit être réparé et remplacé adéquatement. Ne pas utiliser l'outil si l'interrupteur ne fonctionne pas. Les pièces endommagées peuvent contribuer à endommager davantage l'appareil et/ou provoquer des blessures corporelles.

- **DIRECTION DE L'AVANCEMENT DE LA PIÈCE.** Acheminer la pièce dans une lame ou un couteau uniquement à contre-courant de la rotation de la lame ou du couteau.
- **NE JAMAIS LAISSER L'OUTIL FONCTIONNER SANS SURVEILLANCE. ÉTEINDRE L'APPAREIL.** Ne pas laisser l'outil tant qu'il n'est pas complètement arrêté. De graves blessures pourraient survenir.
- **NE PAS UTILISER D'OUTILS ÉLECTRIQUES À PROXIMITÉ DE LIQUIDES INFLAMMABLES OU DANS UNE ATMOSPHÈRE GAZEUSE OU EXPLOSIVE.** Les moteurs et interrupteurs des outils pourraient provoquer des étincelles et enflammer des vapeurs.
- **ÊTRE VIGILANT, SURVEILLER LE TRAVAIL EFFECTUÉ, ET FAIRE PREUVE DE JUGEMENT. NE PAS UTILISER L'APPAREIL EN CAS DE FATIGUE OU SOUS L'INFLUENCE DE DROGUES, D'ALCOOL, OU DE MÉDICAMENTS.** Un moment d'inattention, durant l'utilisation d'un outil électrique, peut se solder par des blessures corporelles graves.
- **NE PAS LAISSER UNE BONNE CONNAISSANCE DE L'OUTIL (acquise par l'utilisation fréquente de la scie) PRENDRE PRÉCÉDENCE SUR LES RÈGLES DE SÉCURITÉ.** Toujours se souvenir qu'une fraction de seconde d'imprudance est suffisante pour infliger de graves blessures.

Règles de sécurité supplémentaires pour les scies circulaires à table

- **ÉVITER** de placer les mains à un endroit où un glissement soudain pourrait amener la main sur la lame de la scie.
- **NE JAMAIS PASSER LES MAINS À L'ARRIÈRE OU AUTOUR DE L'OUTIL DE COUPE** pour tenir la pièce.
- **GARDER LES BRAS, LES MAINS, ET LES DOIGTS ÉLOIGNÉS** de la lame afin d'éviter des blessures graves.
- **UTILISER UN POUSSOIR OU UN BLOC-POUSSOIR ADÉQUAT POUR L'APPLICATION EN COURS, QUI PERMET D'AVANCER LES PIÈCES SUR LA LAME.** Un poussoir est un petit bâton de bois ou d'une matière non métallique, normalement fait maison, qui s'utilise pour éviter d'approcher vos mains à près de 15,2 cm (6 po) de la lame à chaque fois que la taille ou la forme de la pièce l'exige. **Utiliser des dispositifs d'ancrage, serre-joints, fixations ou planches en éventail pour mieux guider et contrôler la pièce en l'absence du guide longitudinal.** Utiliser un protège-lame et un couteau séparateur pour toutes les opérations demandant son utilisation, y compris tout débitage complet.
- **NE PAS SCIER EN LONG, EXÉCUTER DES TRONÇONNAGES OU TOUTE AUTRE OPÉRATION DE COUPE À MAINS LIBRES.**
- **NE JAMAIS s'incliner près ou au-dessus de la lame de scie.**
- **STABILITÉ.** S'assurer que le banc de scie soit fermement fixé à une surface solide et qu'il ne bouge pas avant de l'utiliser.
- **NE JAMAIS COUPER DE MÉTAUX FERREUX** (métaux contenant du fer ou de l'acier), **PANNEAU DE CIMENT OU MAÇONNERIE.** Certaines matières artificielles comportent des directives spécifiques pour la coupe sur des bancs de scie. Suivre les recommandations du fabricant en tout temps. Il sera ainsi possible de prévenir des dommages à la scie ou des blessures corporelles.

- **TOUJOURS INSÉRER LE PASSE-LAME APPROPRIÉ** pour réduire le risque de projection d'une pièce et de blessures éventuelles.
- **UTILISER LA LAME DE SCIE APPROPRIÉE POUR L'UTILISATION PRÉVUE.** La lame doit tourner vers l'avant de la scie. Toujours serrer solidement l'écrou d'axe de la lame. Avant l'utilisation, inspecter la lame pour toutes traces de fissures ou de dents manquantes. Ne pas utiliser de lame endommagée.
- **TOUJOURS ÉTEINDRE D'ABORD L'APPAREIL PUIS LE DÉBRANCHER AVANT DE DÉGAGER UNE LAME COINCÉE.** Si la pièce ou des morceaux coupés se coince(nt) à l'intérieur du protège-lame, éteindre la scie et attendre que la lame s'immobilise avant de soulever le protège-lame pour retirer la pièce.
- **NE JAMAIS DÉMARRER L'APPAREIL** avec la pièce contre la lame afin de réduire le risque de projection de la pièce et de blessures corporelles.
- **NE JAMAIS** avancer la pièce entre le guide longitudinal et une tête de coupe pour moulure pour réduire le risque de projection de la pièce et de blessures corporelles.
- **ÉVITER LES OPÉRATIONS MALADROITES** et éviter de placer les mains à un endroit où un glissement soudain pourrait amener la main sur la lame.
- **AUCUNE partie du corps ne doit se trouver dans la trajectoire de la lame de la scie.** Il y a risque de blessures corporelles.
- **NE JAMAIS EFFECTUER D'OPÉRATIONS DE TRAÇAGE, D'ASSEMBLAGE, OU DE RÉGLAGE** sur la table/l'espace de travail lorsque l'appareil est en marche. Un glissement soudain de la pièce pourrait entraîner votre main vers la lame. Des blessures graves pourraient survenir.
- **NETTOYER LA TABLE/ESPACE DE TRAVAIL AVANT DE LAISSER L'APPAREIL.** Verrouiller l'interrupteur en position d'arrêt et débrancher l'appareil pour empêcher toute utilisation non autorisée.
- **NE PAS LAISSER une planche longue (ou une autre pièce) sans appui de sorte que l'élasticité de la planche provoque un déplacement sur la table de la scie. Un tel déplacement pourrait se solder par une perte de maîtrise et une blessure éventuelle.** Bien soutenir la pièce en fonction de sa taille et du type d'opération à exécuter. Tenir la pièce fermement contre le guide et la surface de la table.
- **NE PAS UTILISER L'APPAREIL** avant qu'il ne soit entièrement assemblé et installé conformément aux directives. Un appareil mal assemblé peut provoquer des blessures graves.
- **DEMANDER CONSEIL** CONSEIL à un superviseur, instructeur ou toute autre personne qualifiée si l'on ne maîtrise pas parfaitement l'utilisation de cet appareil. La connaissance est synonyme de sécurité.
- **DES INFORMATIONS SUPPLÉMENTAIRES** (c.-à-d., une vidéo sur la sécurité), indiquant comment utiliser des outils électriques correctement et en toute sécurité, sont disponibles auprès du Power Tool Institute, 1300 Sumner Avenue, Cleveland, OH 44115-2851, États-Unis (www.powertoolinstitute.com). Des renseignements sont également disponibles auprès du National Safety Council, 1121 Spring Lake Drive, Itasca, IL 60143-3201 É.-U. Se reporter à la norme ANSI O1, 1 de l'American National Standards Institute concernant les machines de travail du bois, ainsi qu'à la réglementation OSHA 1910.213. du ministère américain du travail.

TERMINOLOGIE : LES TERMES SUIVANTS SERONT UTILISÉS DANS LE MANUEL ET VOUS DEVRIEZ VOUS FAMILIARISER AVEC CEUX-CI.

- **Débitage complet** définit une coupe de part en d'autre de la pièce.
- **Un poussoir** est un petit bâton de bois, normalement fait maison, qui s'utilise pour pousser la pièce et éviter d'approcher les mains près de la lame à chaque fois que la taille ou la forme de la pièce l'exige.
- **L'effet de rebond** se produit lorsque la lame de la scie se coince dans le trait de scie et projette violemment la pièce en direction de l'opérateur.

- **La coupe à mains libres** redéfinit une coupe sans l'utilisation d'un guide d'onglet ou longitudinal ou tout autre mode de guidage ou de soutien de la pièce autre que les mains de l'opérateur.

PROTÈGE-LAME ET COUTEAU SÉPARATEUR

La scie circulaire à table est dotée d'un ensemble protège-lame et couteau séparateur qui recouvre la lame et prévient tout contact accidentel. Le couteau séparateur est une plaque plane qui s'insère dans le trait de coupe formé par la lame de la scie et protège effectivement contre les rebonds en diminuant la tendance de la lame à se coincer dans le trait de scie. On utilise le couteau séparateur uniquement lors de débitage complet qui séparera deux morceaux de bois. Lors de feuillures et autres coupes qui ne traversent pas la pièce, on doit retirer l'ensemble protège-lame/couteau séparateur de la scie. Deux cliquets anti-effet de rebond sont logés sur les côtés du couteau séparateur. Ils permettent à la pièce d'avancer sur la lame, mais qui la bloque si la pièce recule en direction de l'opérateur.

FABRICATION D'UN POUSSOIR (illustré dans le couvercle arrière intérieur)

⚠AVERTISSEMENT : Pour le sciage en long d'une pièce dont la largeur est inférieure à 15 cm (6 po), un pousoir devrait être utilisé pour acheminer la pièce. On peut facilement créer un pousoir à partir de retailles de bois en suivant le modèle figurant à l'intérieur du couvercle arrière.

- Pour utiliser la scie circulaire à table en toute sécurité, utiliser un pousoir pour éviter d'approcher les mains à moins de 15 cm (6 po) de la lame de la scie ou d'autre organe de coupe, à chaque fois que la taille ou la forme de la pièce l'exige. Un pousoir est inclus avec la présente scie.
- Il n'est pas obligatoire d'utiliser un bois particulier pour fabriquer des pousoirs supplémentaires en autant qu'ils soient solides et suffisamment longs. On recommande une longueur de 305 mm (12 po) avec une encoche qui s'adapte contre le bord de la pièce pour prévenir tout glissement. Il est pratique d'avoir sous la main plusieurs pousoirs de 305 mm (12 po) de long avec des encoches de différentes tailles pour s'adapter à différentes épaisseurs de pièce.
- Un pousoir est illustré dans le couvercle arrière intérieur. La forme du pousoir peut varier pour répondre à vos besoins en autant qu'il éloigne effectivement les mains de la lame.

EFFETS DE REBOND

Comment les éviter et se protéger de blessures éventuelles

- a. S'assurer que le guide longitudinal soit parallèle à la lame de la scie.
- b. Ne pas exécuter un sciage en long en appliquant la force sur la portion fixe qui deviendra la pièce coupée. La force d'avancement devrait toujours s'appliquer sur la portion qui repose entre la lame de la scie et le guide. Utiliser un pousoir pour les petites pièces de 152 mm (6 po) de largeur ou moins. Pour les pièces de 51 mm (2 po) de large ou moins, utiliser un dispositif de fixation spécial.
- c. Maintenir le protège-lame, le couteau séparateur et les dents anti-effet de rebond en position et en bon état de fonctionnement. Maintenir les dents affûtées. Si les dents ne fonctionnent pas, retourner l'appareil au centre de réparation DEWALT autorisé le plus près pour une réparation. Le couteau séparateur doit être aligné avec la lame de la scie et les dents doivent arrêter un effet de rebond une fois l'appareil amorcé. Vérifier le fonctionnement des ensembles avant le sciage en long en avançant une pièce de bois sous les dents anti-effet de rebond. Les dents doivent empêcher la projection de la pièce de bois vers l'avant de la scie.
- d. Il est possible de couper des matières plastiques et du composé (comme des panneaux pressés) avec la scie. Toutefois, puisque ces matières sont normalement très dures et glissantes, il est possible que les cliquets anti-effet de rebond ne puissent contenir un effet de rebond. On doit donc suivre attentivement les procédures de montage et de coupe lors de sciages en long.

- e. Utiliser un protège-lame et un couteau séparateur pour toutes les opérations demandant son utilisation, y compris tout débitage complet.
- f. Pousser la pièce au-delà de la lame de scie avant de la relâcher.
- g. **NE JAMAIS** scier en long une pièce qui est tordue ou voilée ou qui n'a pas de bord droit pour glisser le long du guide.
- h. Utiliser des planches en éventail lorsque le dispositif anti-effet de rebond ou le protège-lame et le couteau séparateur ne peuvent être utilisés.
- i. **NE JAMAIS** scier une grande pièce qui ne peut pas être contrôlée.
- j. **NE JAMAIS** utiliser le guide comme guide ou butoir lors de tronçonnage.
- k. **NE JAMAIS** scier une pièce à noeuds instables avec défauts, clous ou tout autre corps étranger.
- l. **NE JAMAIS** débiter une pièce plus courte que 254 mm (10 po).

⚠AVERTISSEMENT : certaines poussières produites par les travaux de ponçage, sciage, meulage, perçage et autres contiennent des produits chimiques reconnus par l'État de la Californie comme pouvant causer le cancer, des anomalies congénitales ou d'autres problèmes liés aux fonctions reproductrices. Voici quelques exemples de ces produits chimiques :

- le plomb contenu dans les peintures à base de plomb,
- la silice cristalline de la brique, du ciment et d'autres produits de maçonnerie, et
- l'arsenic et le chrome provenant du bois traité chimiquement.

Les risques liés à l'exposition à ces poussières varient selon la fréquence à laquelle l'utilisateur travaille avec ce type de matériaux. Pour réduire l'exposition à ces produits chimiques : travailler dans un endroit bien ventilé et porter un équipement de sécurité approuvé comme un masque antipoussières conçu spécialement pour filtrer les particules microscopiques.

- **Éviter le contact prolongé avec les poussières produites par les activités de ponçage, sciage, meulage, perçage et autres activités de construction. Porter des vêtements de protection et laver les parties du corps exposées avec une solution d'eau et de savon. Laisser la poussière pénétrer dans la bouche et les yeux ou la laisser reposer sur la peau, pourrait promouvoir l'absorption de produits chimiques nocifs.**

⚠AVERTISSEMENT : l'utilisation de cet outil peut produire de la poussière et/ou la disperser, ce qui peut causer des troubles respiratoires graves et permanents et d'autres blessures. Toujours porter un appareil respiratoire approuvé par la NIOSH/OSHA pour se protéger de la poussière. Diriger les particules loin du visage et du corps. Toujours utiliser l'outil dans des endroits bien aérés et veiller à dépoussiérer correctement la zone de travail. Utiliser un système de dépoussiérage lorsque c'est possible.

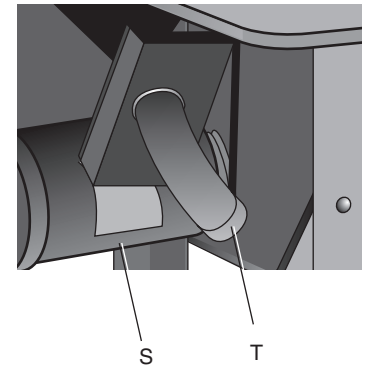
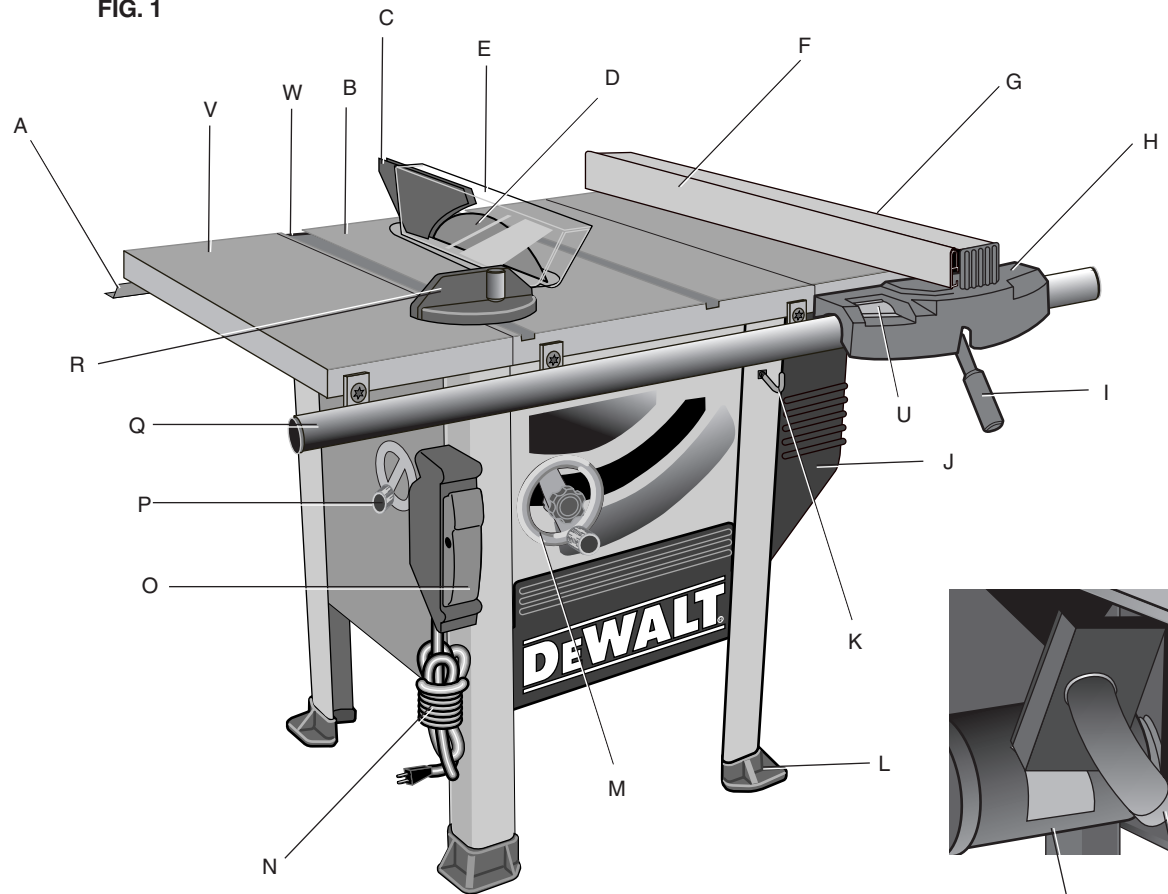
CONSERVER CES DIRECTIVES POUR UN USAGE ULTÉRIEUR

CARACTÉRISTIQUES (fig. 1)

Examiner la figure 1 pour se familiariser avec la scie et ses diverses pièces. Les sections suivantes concernant l'assemblage et les réglages renverront à ces termes, et il faut savoir quelles sont les différentes pièces et où elles se trouvent.

- A. Barre de guidage arrière du guide (comprise avec le DW746X)
- B. Dessus de table
- C. Couteau séparateur
- D. Lame
- E. Protège-lame
- F. Face du guide
- G. Guide longitudinal
- H. Poutre du guide
- I. Poignée de blocage de la barre de guidage
- J. Couvercle du moteur
- K. Crochet de clé
- L. Pieds ajustables
- M. Volant de réglage de la hauteur de la lame
- N. Cordon d'alimentation
- O. Interrupteur Marche/Arrêt
- P. Commande d'inclinaison de la lame
- Q. Barre de guidage avant du guide (comprise avec le DW746X)
- R. Guide d'onglet
- S. Moteur
- T. Orifice de dépoussiérage
- U. Pointeur de l'échelle de sciage en long
- V. Table de soutien de service
- W. Fente d'onglet

FIG. 1



Désemballage

⚠AVERTISSEMENT : Pour réduire le risque de blessures, ne pas brancher la machine à une source d'alimentation jusqu'à ce qu'elle soit entièrement assemblée, ni avant d'avoir lu et assimilé l'intégralité de ce mode d'emploi.

1. Retirer la boîte à pièces, le couvercle du moteur, la poutre du guide, les tables de service et les barres de guidage du guide (DW746X) de la scie.
2. Mettre la scie à la verticale.

⚠MISE EN GARDE : Faire appel à au moins deux personnes pour éviter toute blessure corporelle au moment de tourner la scie pour la mettre à la verticale. Le poids combiné du dessus de table et de l'ensemble moteur est d'environ 200 livres (91 kg).

3. Couper la sangle de plastique retenant le moteur et l'enlever.
4. À l'aide de la manivelle avant, descendre un peu le moteur, puis retirer le matériel d'emballage en mousse logé entre le moteur et le mécanisme.

Assemblage

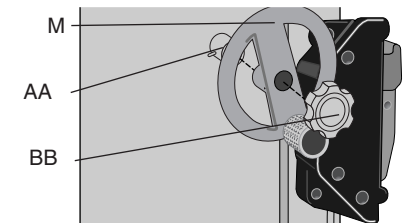
⚠AVERTISSEMENT : Pour réduire le risque de blessures, ne pas brancher la machine à une source d'alimentation jusqu'à ce qu'elle soit entièrement assemblée, ni avant d'avoir lu et assimilé l'intégralité de ce mode d'emploi.

BIEN LIRE TOUTE LA SECTION SUR L'ASSEMBLAGE AVANT DE RÉALISER L'ASSEMBLAGE .

INSTALLER LA MANIVELLE DE BISEAU. (FIG. 2)

1. Installer le volant de réglage de la hauteur de lame (M) sur l'arbre (AA), le tourner légèrement pour engager pleinement la tige de l'arbre.
2. Visser le bouton de verrouillage (BB) en place de manière à ce qu'il soit bien logé, puis le dévisser de 1/4 ou 1/2 tour.
3. Tourner le volant de réglage de la hauteur de lame (M) pour monter le mécanisme aussi haut que possible.

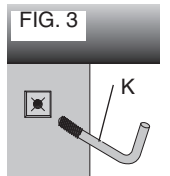
FIG. 2



POSER LE CROCHET DE CLÉ (FIG. 3)

REMARQUE : Toujours suspendre la clé de lame, la clé de verrouillage de la broche et le poussoir sur le crochet de clé lorsqu'ils ne sont pas utilisés.

1. Repérer la douille fileté en plastique au sommet du montant avant droit.
2. Visser le crochet à clé en forme de « L » (K) de manière à ce que seuls quelques filets soient visibles.



ASSEMBLER LA BARRE DE GUIDAGE AVANT ET LES SUPPORTS (FIG. 4)

IMPORTANT : Le DW746X comprend un système de barre de guidage de guide précis de 30 po . Il est possible d'acheter un système de barre de guidage de précision de 30 po ou de 52 po pour le modèle DW746 à un coût supplémentaire. Toujours suivre les directives comprises avec l'accessoire. Après avoir assemblé le système de barre de guidage, consulter la section « **Mettre les barres de guidage parallèles au dessus de table** ».

S'il vous faut de l'assistance pour cet accessoire, composer le 1-800-4-DEWALT (1-800-433-9258) ou visiter notre site Web : www.dewalt.com.

Il vous faut les articles suivants :

Boulons de carrosserie de 4 à 8 mm

Rondelles de blocage de 4 à 8 mm

Écrous de 4 à 8 mm

1. Déballez la boîte de carton contenant les barres de guidage (contient les barres de guidage avant et arrière).
2. Mettre les boulons de carrosserie dans chaque support de barre de guidage (CC) comme il est indiqué.
3. Mettre les rondelles de blocage et les écrous sur les boulons de carrosserie, puis visser les écrous de quelques tours.
4. Mettre la tête du boulon de carrosserie dans les encoches en trou de serrure pratiquées dans la barre de guidage avant, puis faire glisser le boulon pour engager sa partie carrée. S'assurer que l'échelle de sciage en long (DD), située sur la barre de guidage avant, et les quatre supports sont en position vers le haut.
5. Serrer l'écrou manuellement.
6. Répéter le procédé pour les trois autres supports.

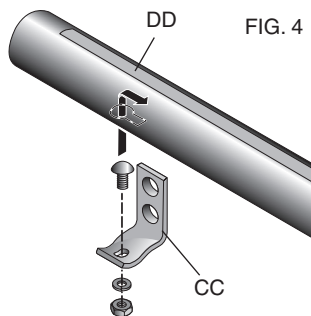


FIG. 4

FIXER LA BARRE DE GUIDAGE AVANT À L'AIDE DES SUPPORTS AU DESSUS DE TABLE (FIG. 5)

Il vous faut les articles suivants :

2 vis à tête plate de 10 x 30 mm

2 rondelles plates de 10 mm

2 rondelles de blocage de 10 mm

2 écrous de 10 mm

1. Rendre sûr chaque vis par le trou supérieur pratiqué dans les supports de la barre de guidage centrale (CC) et maintenir la rondelle plate, la rondelle de blocage et l'écrou à l'intérieur de la table (B).
2. Bien serrer, mais ne pas serrer outre mesure. Serrer les écrous des supports de barre de guidage centrale et laisser les écrous extérieurs serrés manuellement.

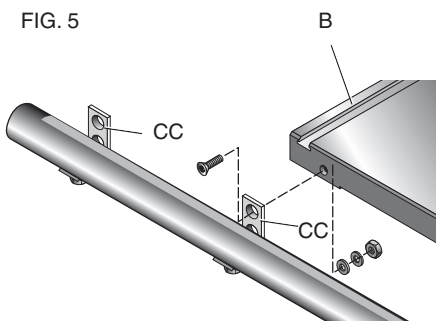


FIG. 5

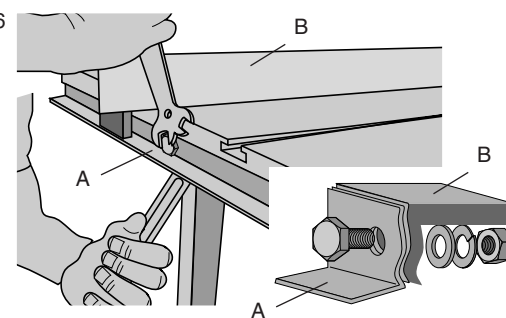
FIXER LA BARRE DE GUIDAGE ARRIÈRE AU DESSUS DE TABLE (FIG. 6)

Il vous faut les articles suivants :

- 2 boulons à tête hexagonale de 10 x 35 mm
- 2 rondelles plates de 10 mm
- 2 rondelles de blocage de 10 mm
- 2 écrous de 10 mm

1. Fixer la barre de guidage arrière (A) au dessus de table (B) à l'aide des boulons à tête hexagonale, des rondelles, des rondelles de blocage et des écrous. Maintenir les rondelles et écrous à l'intérieur de la table. Le côté plat doit être vers le bas à moins de monter aussi un accessoire (consulter les directives sur les accessoires pour en savoir plus sur le montage de la barre de guidage). S'assurer que les extrémités de la barre de guidage arrière s'alignent avec celles de la barre de guidage avant.

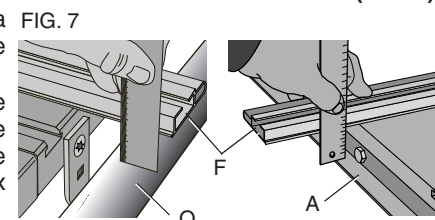
FIG. 6



2. Bien serrer, mais ne pas serrer outre mesure.

METTRE LES BARRES DE GUIDAGE PARALLÈLES AU DESSUS DE TABLE (FIG. 7)

1. Utiliser la face du guide (F) pour rallonger la surface de la table sur la barre de guidage avant (Q).
2. Utiliser une règle pour mesurer la distance séparant le dessus de table et la barre de guidage, aux deux extrémités du dessus de table. La distance doit être égale aux deux extrémités.
3. Si un réglage est nécessaire, desserrer légèrement les vis de montage, puis tapoter sur les supports de barre de guidage avec un marteau-caoutchouc ou un marteau ordinaire et un bloc de bois de manière à ce que les distances deviennent identiques.
4. Bien serrer les dispositifs de fixation.
5. Refaire l'opération pour la barre de guidage arrière (A).



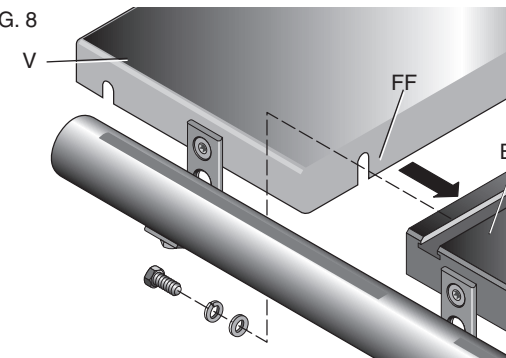
FIXER LES TABLES DE SOUTIEN GAUCHE ET DROITE (FIG. 8)

Il vous faut les articles suivants :

- 6 boulons à tête hexagonale de 10 x 25 mm
- 6 rondelles plates de 10 mm
- 6 rondelles de blocage de 10 mm

1. Poser les trois boulons, rondelles plates et rondelles de blocage dans les trous pratiqués dans la partie latérale du dessus de table (B) comme il est indiqué. Maintenir un jeu de 6,4 mm (1/4 po) entre le dessus de table et les têtes de boulons.

FIG. 8



2. Glisser la table de soutien de service (V) sur les boulons, qui s'insèrent dans les encoches (FF). Serrer les écrous.
3. Utiliser la face du guide pour mettre au niveau la table de service avec le bord de la table principale et régler le boulon avant. Refaire l'opération pour le boulon arrière. Serrer le boulon central.
4. Refaire l'opération de l'autre côté.

FIXER LES BARRES DE GUIDAGE AVANT ET ARRIÈRE AUX TABLES DE SOUTIEN (FIG. 9)

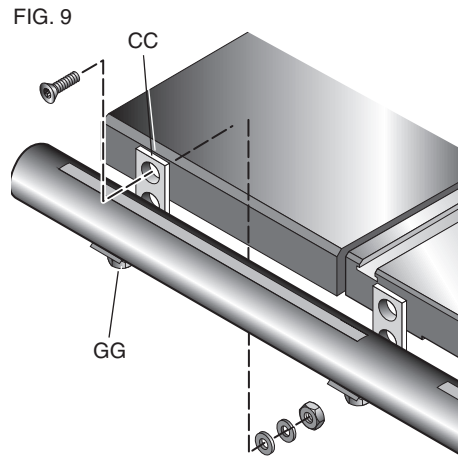
Ce qu'il faut pour la barre de guidage avant :

- 2 vis à tête plate de 10 x 30 mm
- 2 rondelles plates de 10 mm
- 2 rondelles de blocage de 10 mm
- 2 écrous de 10 mm

Ce qu'il faut pour la barre de guidage arrière :

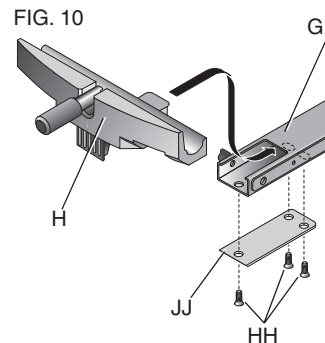
- 2 boulons à tête hexagonale de 10 x 25 mm
- 2 rondelles plates de 10 mm
- 2 rondelles de blocage de 10 mm
- 2 écrous de 10 mm

1. Aligner les supports de barre de guidage avant (CC) avec la table de soutien de service (V), puis serrer les écrous de support (GG) à la barre de guidage.
2. Fixer la table de soutien aux supports de barres de guidage extérieures avant avec les vis, les rondelles plates, les rondelles de blocage et les écrous. Maintenir les rondelles et écrous à l'intérieur de la table.
3. Fixer la table de soutien aux barres de guidage extérieures arrière avec les vis, rondelles plates, rondelles de blocage et écrous. Maintenir les rondelles et écrous à l'intérieur de la table.
4. Utiliser la face du guide comme bord droit pour s'assurer que la table de soutien est au même niveau ou un peu au-dessous du dessus de table. Effectuer un réglage si nécessaire, puis serrer toutes les attaches.
5. Refaire cette opération pour l'autre table de soutien.



ASSEMBLER LA POUTRE DU GUIDE À LA TÊTE DU GUIDE (FIG. 10)

1. Enlever les trois vis à tête plate (HH) fixant le couvercle (JJ) à la poutre du guide avec la clé Torx T50.
2. Inverser le guide de sciage en long (G). Glisser la poutre du guide (H) dans le guide de sciage en long, comme illustré.
3. Faire basculer la poutre du guide, puis poser le couvercle et les trois vis. Bien serrer, mais ne pas serrer outre mesure.

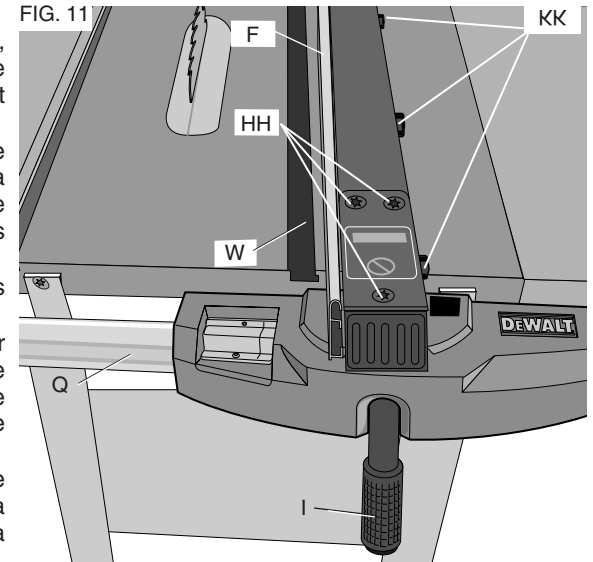


RÉGLAGE DU GUIDE AVEC LE DESSUS DE TABLE (FIG. 11)

IMPORTANT : Vérifier l'alignement de la poutre et de la face du guide avant chaque séance de coupe.

ALIGNEMENT DU GUIDE DE SCIAGE EN LONG

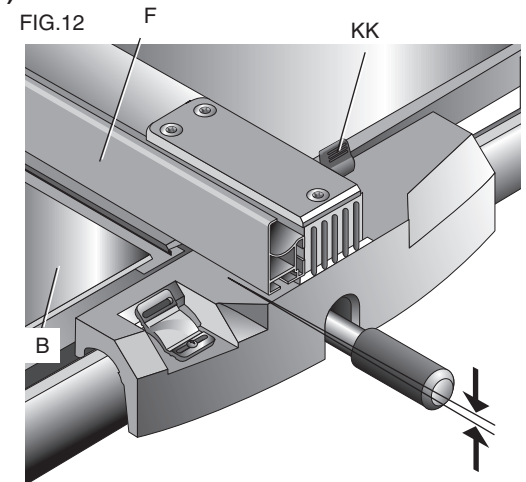
1. Mettre la face du guide (F) sur la barre de guidage avant (Q), et la barre de guidage arrière (A) près de la fente d'onglet (W), du côté droit de la table.
2. Desserrer les trois boutons de blocage (KK). Permettre à la face du guide de reposer sur le dessus de table, puis serrer les boutons de verrouillage (KK).
3. Desserrer légèrement les trois vis (HH).
4. Glisser le guide, puis régler l'angle de la poutre de manière à ce que la face du guide soit alignée avec la fente d'onglet (W).
5. Verrouiller en place la poutre du guide (H) en enfonçant la poignée de blocage (I) de la barre de guidage.
6. Serrer les boutons de verrouillage (KK), en commençant par les deux plus reculés.



RÉGLER LA FACE DU GUIDE (FIG. 12)

1. Desserrer les boutons de blocage.
2. Régler la face du guide (F) de manière à dégager le dessus de table (B) d'environ 1,6 mm (1/16 po).
3. Si on le souhaite, la face du guide peut être réglée vers l'avant ou l'arrière.
4. Serrer les boutons de blocage (KK).

REMARQUE : Pour les pièces très minces, la face du guide peut être réglée de manière à reposer sur le dessus de table. S'assurer de régler la face du guide de manière à dégager le dessus de table d'environ 1,6 mm (1/16 po) avant de déplacer le guide.



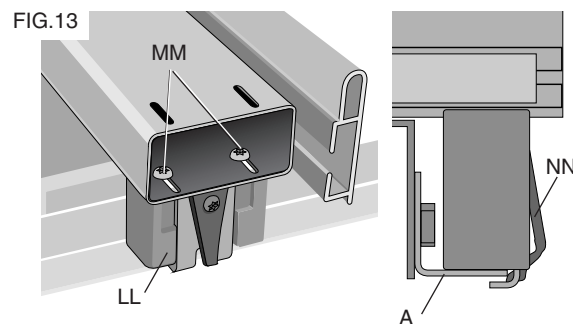
RÉGLAGE DU PATIN DE GUIDE ARRIÈRE (FIG. 13)

1. Faire glisser selon un mouvement de va et vient le guide de sciage en long (G) pour vérifier s'il glisse librement sur les barres de guidage.
2. Verrouiller en place le guide de sciage en long à l'aide de la poignée de blocage de la barre de guidage (I).

En cas de déplacement excessif vers le haut ou le bas, à l'arrière du guide, au moment du verrouillage, il faut régler le support du guide arrière (LL).

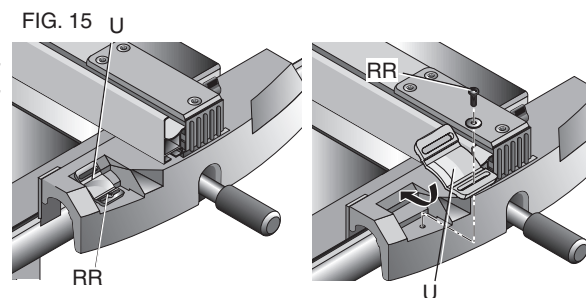
Pour effectuer le réglage, procéder comme suit :

1. Desserrer les vis (MM).
2. Régler l'étrier (NN) de manière à ce qu'il pousse légèrement sur la barre de guidage arrière (A).
3. Serrer les vis.
4. S'assurer que le guide glisse toujours sans secousses. Si ce n'est pas le cas, l'étrier (NN) pousse trop fortement sur la barre de guidage arrière (A).



RÉGLER L'INDICATEUR DE L'ÉCHELLE DU GUIDE (FIG. 15)

1. Coulisser le guide pour qu'il touche à peine la lame.
2. Desserrer la vis de l'indicateur du guide (RR) et la glisser jusqu'à ce que le trait fin s'aligne avec la ligne « 0 » sur l'échelle.
3. Serrer la vis.
4. En cas d'utilisation d'un accessoire de face de guide au profil bas ou d'une face de guide large de fabrication artisanale qui est hors de la portée du réglage du pointeur, ce dernier (U) peut être complètement enlevé, réglé à 180 degrés, installé de nouveau, puis aligné avec la ligne « 0 ».

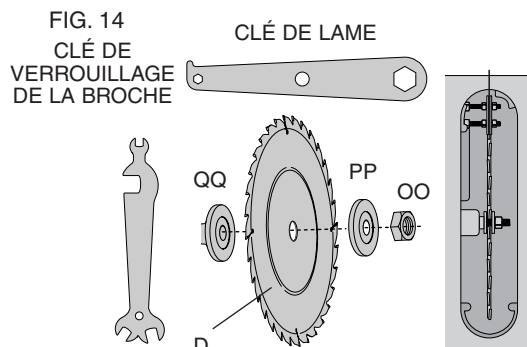


POUR INSTALLER LA LAME DE SCIE (FIG. 14)

⚠AVERTISSEMENT : Utiliser **UNIQUEMENT** des lames d'un diam. de 25,4 cm (10 po) dotées d'un trou d'arbre de 16 mm (5/8 po) et dont le régime nominal est d'au moins 3600 tr/min.

⚠AVERTISSEMENT : Pour réduire le risque de blessures, porter des gants au moment de manipuler les lames de scie.

1. régler l'arbre de la lame à la position la plus élevée à l'aide du volant de réglage de la hauteur de lame (M).
2. enlever l'écrou (OO) et la rondelle de serrage extérieure (PP)
3. mettre la lame (D) sur l'arbre de manière à ce que les dents pointent vers l'avant de la scie.
4. remettre la rondelle de serrage extérieure (PP) et l'écrou (OO) comme il est illustré, et s'assurer que la lame de scie est guidée sur le moyeu de la rondelle de serrage extérieure (QQ).



5. Utiliser la clé de verrouillage de la broche et la clé de lame pour serrer l'écrou.

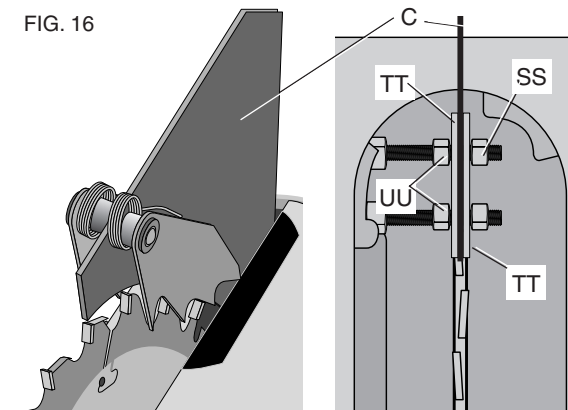
REMARQUE : Si l'écrou tombe à l'intérieur de la scie, le récupérer soigneusement par l'orifice de dépoussiérage.

INSTALLER LE CARTER DE LAME ET L'ENSEMBLE DE COUTEAU SÉPARATEUR (fig. 16)

⚠MISE EN GARDE : Pour éviter l'accrochage de la pièce, la plaque amovible doit être au niveau ou un peu au-dessous du dessus de table et bien fixée en place. Quant à l'arrière du passe-lame, il devrait affleurer ou dépasser légèrement le dessus du dessus de table. Consulter la section **Installer et régler la plaque de lumière**.

⚠MISE EN GARDE : Au moment d'installer la plaque de lumière, s'assurer de tenir le carter de lame. La plaque amovible relâchera automatiquement l'effet de retenue sur le couteau séparateur et abaissera le carter de lame lors de son installation dans l'ouverture de la table.

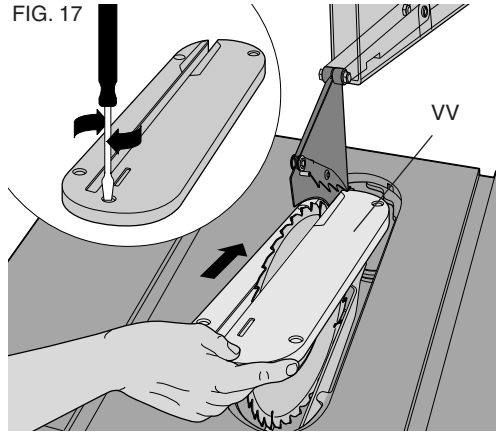
1. Monter la lame à sa position la plus élevée.
2. Desserrer suffisamment les écrous de retenue (SS) du carter extérieur pour insérer le couteau séparateur (C) entre les deux plaques de retenues (TT) du carter de lame.
3. Installer le couteau séparateur (C).
4. À l'aide d'une règle droite, s'assurer que le couteau séparateur est bien aligné avec la lame. Si ce n'est pas le cas, régler la position en déplaçant les écrous de serrage (UU) du carter intérieur, ce qui permet de modifier l'emplacement du couteau séparateur. S'assurer qu'il y a un jeu entre le couteau séparateur et la lame et que la lame tourne librement. Si le couteau séparateur est incliné par rapport à la lame, la plaque du couteau peut être courbée de manière à s'aligner correctement. **IMPORTANT :** LE CARTER DOIT ÊTRE EN POSITION POUR TOUTES LES COUPES QUI L'EXIGENT. Pour réaliser des coupes non traversantes, le carter peut facilement être enlevé en desserrant légèrement les écrous du carter extérieur (SS). On peut remettre facilement le carter sans devoir régler de nouveau les écrous intérieurs.



INSTALLER ET RÉGLER LA PLAQUE DE LUMIÈRE (FIG. 17)

▲ MISE EN GARDE : Pour réduire le risque de blessures. La plaque de lumière doit être en place en tout temps.

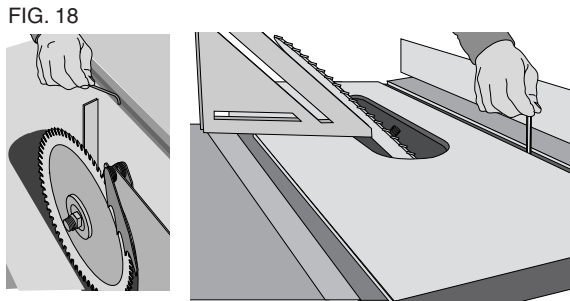
1. Aligner la plaque de lumière (VV) comme il est illustré, puis insérer les languettes, situées à l'arrière de la plaque, dans les trous pratiqués à l'arrière de la table, puis baisser la plaque pour l'insérer dans l'ouverture de la table.



2. La plaque de lumière comporte quatre vis de réglage qui relèvent ou abaissent celle-ci. Après avoir été bien réglée, l'avant de la plaque de lumière doit être au niveau ou un peu au-dessus du dessus de table, et l'arrière de la plaque de lumière doit être au niveau ou un peu au-dessus du dessus de table. La vis centrale avant, lorsqu'elle est tournée dans le sens horaire, engagera une came, située sous le rebord avant de la table, qui bloquera en place la plaque de lumière. Tourner la vis dans le sens antihoraire de 1/2 tour pour enlever la plaque de lumière.

RÉGLER LES BUTÉES DE BISEAU (FIG. 18)

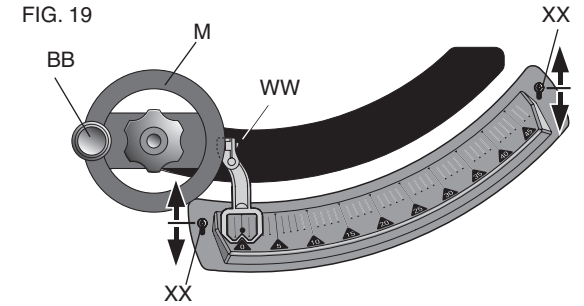
1. À l'aide d'une équerre, régler la lame à exactement « 0 » degré. Si la lame cesse le biseautage avant de se rendre à 0, desserrer la vis pression de la butée (logée dans la fente du guide d'onglet gauche) avec la clé hexagonale de 5 mm, puis aller à « 0 » degré. La lame étant réglée à 0, tourner lentement la butée de zéro jusqu'à ce qu'une résistance se fasse sentir. Éloigner un peu la lame du 0 en l'inclinant, puis revenir à la butée.
2. Mesurer de nouveau l'angle et refaire le réglage de la butée au besoin jusqu'à ce que la lame s'arrête à 0 degré.
3. Régler la butée de 45 degrés de la même façon. La vis pression pour la butée de 45° est située dans la fente du guide d'onglet droit.



Pour certaines coupes spéciales, les butées peuvent être supprimées, et la scie biseautera de -2 degrés à 47 degrés.

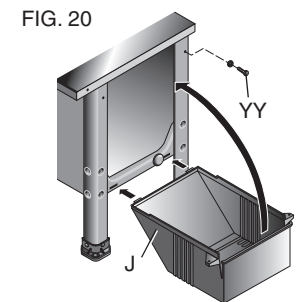
RÉGLER L'ÉCHELLE DE BISEAU (FIG. 19)

1. Régler le biseau de la scie de façon à ce que la butée de biseau zéro soit atteinte.
2. Enlever le bouton de verrouillage (BB) et le volant de réglage de la hauteur de lame (M).
3. Régler le pointeur rouge en desserrant la vis (WW) à l'endroit de fixation sur l'arbre, déplacer le pointeur de manière à l'aligner avec la ligne 0 de l'échelle et resserrer la vis. Le pointeur doit être positionné à peine au-dessus de la surface de l'échelle.
4. Régler le biseau de la scie à la butée de 45°. Si le pointeur n'est pas dirigé vers la butée de 45°, desserrer les deux vis (XX) qui fixent l'échelle à la face avant de la scie et remonter ou descendre l'échelle en la glissant, de façon à aligner le pointeur avec la ligne 45. Serrer de nouveau les vis de l'échelle.
5. Remettre le volant de réglage de la hauteur de lame et le bouton de verrouillage.



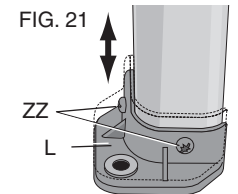
INSTALLER LE COUVERCLE DU MOTEUR (FIG. 20)

1. Enlever les deux vis et rondelles du couvercle (YY) du sommet des deux montants latéraux à l'aide d'un petit tournevis à lame plate.
2. Encastrer les deux languettes inférieures du couvercle (J) dans les fentes pratiquées dans la traverse inférieure droite.
3. Mettre le couvercle en position, puis poser de nouveau les vis et les rondelles.



METTRE LA SCIE AU NIVEAU (FIG. 21)

1. Mettre la scie à l'endroit où elle sera utilisée.
2. Si la scie bascule sur le plancher, le pied qui ne touche pas au sol peut être baissé pour compenser l'inégalité du plancher.
 - a. Desserrer les deux vis (ZZ) fixant le pied (L) au montant. Laisser le pied reposer sur la surface du plancher.
 - b. Serrer de nouveau les vis fixant le pied au montant.



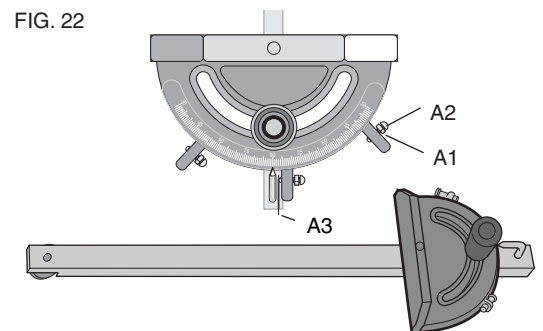
Si votre scie doit être installée en permanence à un endroit, nous vous recommandons de boulonner les pieds au plancher à l'aide des trous en place.

RÉGLAGE ET UTILISATION DE LA JAUGE À ONGLETS (FIG. 22)

Le guide d'onglet comporte des butées réglables aux angles de 90° et 45° à gauche et à droite.

Pour régler ces butées :

- a. Desserrer les contre-écrous (A1), puis serrer ou desserrer les trois vis de réglage (A2).



- b. Vérifier la jauge en mettant une équerre contre la lame, puis serrer les trois vis de réglage.
- c. Pour régler la jauge à onglets après la butée de 45 degrés, rabattre la plaque de butée (A3) et poursuivre jusqu'à l'angle requis.

NETTOYER LE DESSUS DE TABLE

La scie expédiée présente un enduit anti-rouille qui doit être enlevé. Nettoyer le dessus avec de l'essence minérale ou de l'alcool à brûler, puis appliquer une cire en pâte. Appliquer le produit et l'enlever peu après pour éviter toute accumulation collante.

Fonctionnement du guide longitudinal

POIGNÉE DE BLOCAGE DE LA BARRE DE GUIDAGE (FIG. 23)

La poignée de blocage de la barre de guidage (I) bloque le guide en position pour empêcher tout mouvement en cours de coupe. **Pour verrouiller la poignée de blocage**, l'enfoncer et la déplacer vers l'arrière de la scie. **Pour déverrouiller**, la tirer vers le haut et la déplacer vers l'avant de la scie.

REMARQUE : lors de sciage en long, toujours verrouiller la poignée de blocage de la barre de guidage.

POINTEUR DE L'ÉCHELLE DE SCIAGE EN LONG

REMARQUE : Le pointeur de l'échelle de sciage en long doit être réglé à chaque installation d'une lame plus mince ou plus épaisse. Si vous décidez d'utiliser une face plus épaisse ou l'accessoire de face de guide à profil bas DEWALT, le pointeur de l'échelle peut être enlevé et réglé à 180° afin d'être aligné avec l'échelle. Consulter la section **Régler l'indicateur de l'échelle du guide sous la rubrique Ensemble**.

CAPACITÉ DU GUIDE LONGITUDINAL

Le guide longitudinal coulissera au-delà de l'extrémité des barres de guidage dans un sens ou l'autre sans tomber. Des butées sont comprises pour maintenir la fixation du guide.

Interrupteur Marche/Arrêt (Fig. 24)

⚠AVERTISSEMENT : Pour réduire le risque de blessures, s'assurer que l'interrupteur soit en position d'ARRÊT avant de brancher l'appareil.

Relever l'interrupteur (O) MARCHE/ARRÊT pour mettre la scie sous tension et l'abaisser complètement pour l'éteindre.

Le contacteur comporte un trou (A4) pour l'insertion d'un cadenas avec tige amovible pour verrouiller la scie à l'arrêt.

REMARQUE : il sera impossible d'insérer un cadenas conventionnel.

Lames de scie

⚠MISE EN GARDE : Utiliser **UNIQUEMENT** des lames d'un diam. de 25,4 cm (10 po) dotées d'un trou d'arbre de 16 mm (5/8 po) et dont le régime nominal est d'au moins 3600 tr/min.

1. La lame comprise avec votre scie neuve est une lame fine de coupe en long d'environ 25 cm (10 po) utilisée pour scier en long (dans le sens du grain) le matériau et réaliser occasionnellement du tronçonnage. Le centre pour l'arbre est de 16 mm (5/8 po) de diamètre. La lame produit une bonne qualité de coupe pour la plupart des applications.
2. Il existe plusieurs types de lame offertes pour les détails et les travaux particuliers comme les lames pour le tronçonnage ou le sciage en long uniquement, les lames biconcaves pour le contreplaqué mince, les revêtements, etc.

FIG. 23

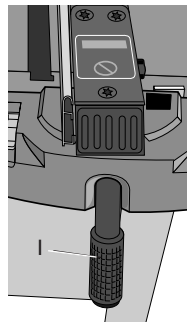
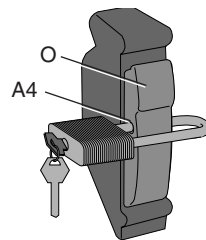


FIG. 24



3. Utiliser uniquement des lames de scie prévues pour des régimes maximum sécuritaires de 5 000 tr/min ou plus.
4. Les lames de scie devraient être toujours bien affûtées. Il est recommandé de repérer un centre d'affûtage de bonne réputation pour affûter les lames au besoin.
5. Ne jamais empiler des lames pour les ranger. Insérer un matériau comme du carton entre les lames pour qu'elles ne soient pas en contact les unes avec les autres.

⚠MISE EN GARDE : Les meules abrasives ne doivent pas être utilisées sur cette scie.

FONCTIONNEMENT

⚠AVERTISSEMENT : avant chaque utilisation de la scie, vérifier les points suivants.

1. **TOUJOURS** utiliser une protection oculaire, auditive et un appareil de protection des voies respiratoires.
2. La lame est bien serrée.
3. Les poignées de verrouillage de l'angle du biseau et de la hauteur sont bien serrées.
4. S'assurer que la poignée de blocage du guide longitudinal est bien serrée et que le guide longitudinal est parallèle à la lame en cas de sciage en long.
5. La poignée du guide d'onglet est bien serrée pour le tronçonnage.
6. Le protège-lame est correctement attaché et les dents anti-effet de rebond fonctionnent.
7. **TOUJOURS** inspecter le bon alignement et le dégagement du protège-lame et du couteau séparateur. Ces derniers ne devraient pas toucher la lame de scie en cours de fonctionnement.

Le non-respect de ces consignes de sécurité de base augmente grandement la possibilité de blessures

⚠AVERTISSEMENT : Pour réduire le risque de blessures, éteindre l'appareil et le débrancher avant d'installer ou de retirer tout accessoire, avant d'ajuster ou de modifier les réglages, ou lors de réparations. Un démarrage accidentel peut provoquer des blessures.

⚠AVERTISSEMENT : Avant de connecter le banc de scie à la source d'alimentation ou de le mettre en marche, toujours vérifier l'alignement et le dégagement corrects du protège-lame et du couteau séparateur en cours de fonctionnement. Il peut en résulter des blessures corporelles.

⚠MISE EN GARDE : Si la scie produit un bruit étrange ou vibre excessivement, suspendre immédiatement son utilisation jusqu'à ce que la cause soit repérée et le problème corrigé.

⚠MISE EN GARDE : Toujours insérer le passe-lame approprié pour réduire le risque de projection d'une pièce et de blessures éventuelles.

CETTE SCIE N'A PAS ÉTÉ CONÇUE POUR COUPER DU MÉTAL.

Le sciage en long

⚠AVERTISSEMENT : Pour réduire le risque de blessures, éteindre l'appareil et le débrancher avant d'installer ou de retirer tout accessoire, avant d'ajuster ou de modifier les réglages, ou lors de réparations. Un démarrage accidentel peut provoquer des blessures.

⚠AVERTISSEMENT : Avant de connecter le banc de scie à la source d'alimentation ou de le mettre en marche, toujours vérifier l'alignement et le dégagement corrects du protège-lame et du couteau séparateur en cours de fonctionnement. Il peut en résulter des blessures corporelles.

Il existe essentiellement deux types de coupe, à savoir : la coupe en long et le tronçonnage. Habituellement, la coupe dans le sens du grain est une coupe en long et contre le grain, un tronçonnage. Toutefois, avec les matériaux synthétiques, il peut être difficile de faire cette distinction. Par conséquent, la coupe d'une pièce de bois selon une largeur différente est une coupe en long alors que la coupe selon la plus courte dimension est un tronçonnage.

Ni la coupe en long ni le tronçonnage ne peuvent se faire à la main ! La coupe en long demande l'utilisation d'un guide longitudinal et le tronçonnage requiert la jauge à onglets.

Sciage en long

⚠AVERTISSEMENT : Pour réduire le risque de blessures, éteindre l'appareil et le débrancher avant d'installer ou de retirer tout accessoire, avant d'ajuster ou de modifier les réglages, ou lors de réparations. Un démarrage accidentel peut provoquer des blessures.

⚠AVERTISSEMENT : Ne jamais toucher l'« extrémité libre » de la pièce ou une « pièce libre » qui est coupée alors que l'appareil est sous tension et/ou que la lame de la scie tourne. La pièce risquerait de toucher la lame et d'être projetée entraînant ainsi une blessure.

⚠AVERTISSEMENT : Maintenir le carter de lame, le couteau séparateur et les dents anti-effet de rebond en position et en bon état de fonctionnement. Maintenir les dents affûtées. Si les dents ne fonctionnent pas, retourner l'appareil au centre de réparation DEWALT autorisé le plus près pour une réparation. Le couteau séparateur doit être aligné avec la lame de la scie et les dents doivent arrêter un effet de rebond une fois l'appareil amorcé. Vérifier le fonctionnement des ensembles avant le sciage en long en avançant une pièce de bois sous les dents anti-effet de rebond. Les dents doivent empêcher la projection de la pièce de bois vers l'avant de la scie.

⚠AVERTISSEMENT : **TOUJOURS** utiliser un guide longitudinal pour les sciages en long pour maintenir la maîtrise de la pièce et prévenir une blessure corporelle. **NE JAMAIS** effectuer d'opération de sciage sur le long à mains libres. **TOUJOURS** verrouiller le guide longitudinal sur la barre de guidage.

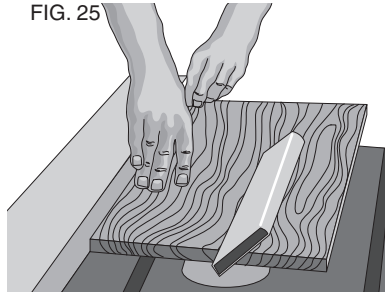
⚠AVERTISSEMENT : Lors de sciage en long avec biseau et à chaque fois que possible, placer le guide longitudinale sur le côté de la lame de sorte que la lame est inclinée à l'opposé du guide et des mains. Éloigner les mains de la lame et utiliser un pousoir pour avancer la pièce s'il y a moins de 152 mm (6 po) entre le guide et la lame.

1. Verrouiller le guide longitudinal en abaissant la poignée de blocage de la barre de guidage. Retirer le guide d'onglet.
2. Relever la lame d'environ 3,2 mm (1/8 po) de plus que le dessus de la pièce.
3. Tenir la pièce à plat sur le banc et appuyée sur le guide. Éloigner la pièce d'environ 25,4 mm (1 po) de la lame.

⚠MISE EN GARDE : La pièce doit avoir un bord droit contre le guide et ne doit pas être voilée, tordue ni arquée. Éloigner les deux mains de la lame et de la trajectoire de la lame.

4. Mettre la scie en marche et laisser la lame atteindre son plein régime. Il est possible d'utiliser les deux mains pour amorcer la coupe. À environ 30,5 cm (12 po) de la fin du sciage en long, utiliser uniquement une main avec le pouce qui achemine la pièce, l'index et le majeur qui maintiennent en position la pièce et les autres doigts appuyés sur le dessus du guide. Toujours tenir le pouce près de l'index et du majeur et près du guide.
5. Maintenir la pièce contre le banc et le guide, avancer lentement la pièce par l'extrémité arrière jusqu'à la fin du sciage. Faire avancer la pièce jusqu'à ce qu'elle passe le protège-lame et qu'elle tombe à l'arrière du banc. Ne pas surcharger le moteur.
6. **NE JAMAIS** essayer de faire reculer la pièce avec la lame en mouvement. Éteindre l'appareil, laisser la lame s'immobiliser, relever les dents anti-effet de rebond de chaque côté du couteau séparateur au besoin et faire sortir la pièce en la glissant.
7. Toujours soutenir la pièce lors du sciage d'une longue pièce de matériau ou d'un panneau. Un chevalet de sciage, des rouleaux ou un module de sortie offre(nt) un soutien adéquat à cet effet. **La pièce supportée doit être à la même hauteur que le banc de la scie.**

FIG. 25



Sciage sur le long en biseau

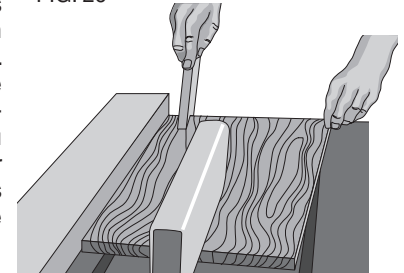
Cette opération est identique au sciage en long sauf que l'angle de biseau est réglé à un angle différent de zéro degré.

⚠AVERTISSEMENT : Avant de connecter la scie circulaire à table à la source d'alimentation ou de la mettre en marche, toujours vérifier l'alignement et le dégagement corrects du carter de lame et du couteau séparateur. Vérifier l'alignement après chaque changement d'angle de biseau.

Sciage en long de petites pièces

Il n'est pas sécuritaire de scier en long des pièces courtes. Il n'est pas sécuritaire de positionner vos mains près de la lame. Il est préférable de scier en long une pièce plus large pour obtenir la pièce voulue. Lorsqu'une pièce de petite largeur est sciée sur le long et que la main ne peut se positionner sans danger entre la lame et le guide longitudinal, utiliser un ou plusieurs pousoirs. Un modèle est compris à l'intérieur du couvercle arrière pour réaliser des pousoirs. Les utiliser pour maintenir la pièce contre la table et le guide et pousser la pièce bien au-delà de la lame.

FIG. 26



Tronçonnage

⚠AVERTISSEMENT : Pour réduire le risque de blessures, éteindre l'appareil et le débrancher avant d'installer ou de retirer tout accessoire, avant d'ajuster ou de modifier les réglages, ou lors de réparations. Un démarrage accidentel peut provoquer des blessures.

⚠AVERTISSEMENT : **NE JAMAIS** toucher « l'extrémité libre » de la pièce ou une « pièce libre » qui est coupée alors que l'appareil est sous tension et/ou que la lame de la scie tourne. La pièce risquerait de toucher la lame et d'être projetée entraînant ainsi une blessure.

⚠AVERTISSEMENT : Pour réduire le risque de blessure, **NE JAMAIS** utiliser le guide longitudinale comme guide ou butoir lors de tronçonnage.

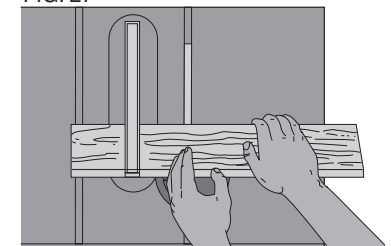
⚠AVERTISSEMENT : **NE JAMAIS** utiliser un butoir à l'extrémité libre de la pièce lors de tronçonnage. En résumé, une pièce qui sera débitée au complet (coupe de part en d'autre de la pièce) ne doit jamais être prise. Elle doit pouvoir s'éloigner de la lame de scie pour empêcher un contact avec la lame. Ce contact pourrait projeter la pièce et entraîner une blessure.

⚠AVERTISSEMENT : Être prudent lors de l'amorce d'une coupe pour empêcher un coincement dans la pièce. Un tel coincement risque d'endommager la scie et d'entraîner une blessure.

⚠MISE EN GARDE : Lors de l'utilisation d'un bloc de bois comme guide de coupe, il doit être d'au moins 19 mm (3/4 po) d'épaisseur. Il est très important de positionner l'extrémité arrière du bloc de sorte que la pièce soit dégagée avant que la lame ne morde. Cette pratique prévient la projection d'une pièce et une blessure potentielle.

1. Retirer le guide longitudinal et insérer le guide d'onglet dans la rainure voulue.
2. Régler la hauteur de la lame de sorte que celle-ci soit environ 3,2 mm (1/8 po) plus élevée que le dessus de la pièce.
3. Tenir la pièce fermement contre le guide d'onglet avec la lame bien alignée sur la trajectoire de la ligne de coupe prévue. Tenir la pièce à environ 25,4 mm (1 po) de la lame. **MAINTENIR LES DEUX MAINS SUR LA JAUGE À ONGLETS, LOIN DE LA LAME ET DE SA TRAJECTOIRE.**

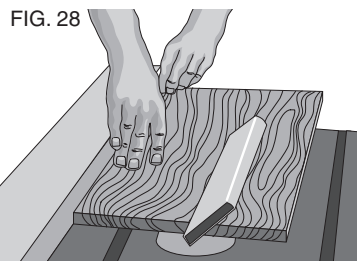
FIG. 27



- Mettre le moteur de la scie en marche et laisser la lame atteindre son plein régime.
- Avancer lentement la pièce sur la lame en utilisant les deux mains pour tenir la pièce contre le côté du guide d'onglet et à plat sur le banc.
- NE JAMAIS** essayer de faire reculer la pièce avec la lame en mouvement. Éteindre l'appareil, laisser la lame s'immobiliser et retirer soigneusement la pièce en la glissant.

Tronçonnage en biseau

Cette opération est identique au tronçonnage normal, sauf que l'angle de biseau est réglé à un angle différent de 0°. Se reporter à la figure 28 pour observer la position correcte de la main.



⚠️ AVERTISSEMENT : Pour réduire le risque de blessures, éteindre l'appareil et le débrancher avant d'installer ou de retirer tout accessoire, avant d'ajuster ou de modifier les réglages, ou lors de réparations. Un démarrage accidentel peut provoquer des blessures.

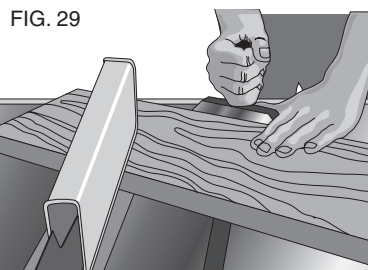
⚠️ AVERTISSEMENT : Être prudent lors de l'amorçage d'une coupe pour empêcher un coincement du carter de lame dans la pièce. Un tel coincement risque d'endommager la scie et d'entraîner une blessure.

⚠️ AVERTISSEMENT : Avant de connecter la scie circulaire à table à la source d'alimentation ou de la mettre en marche, toujours vérifier l'alignement et le dégagement appropriés du protège-lame et du couteau séparateur avec la lame de scie. Vérifier l'alignement après chaque changement d'angle de biseau.

Découpe à l'onglet

⚠️ AVERTISSEMENT : Des angles d'onglet de plus de 45° peuvent forcer le protège-lame sur la lame de la scie, endommager le protège-lame et entraîner une blessure corporelle. Tester le fonctionnement en insérant la pièce sur le protège-lame avant de démarrer le moteur. Si le protège-lame touche la lame, placer la pièce sous le protège-lame sans toucher à la lame, avant de démarrer le moteur.

⚠️ MISE EN GARDE : Certaines formes de pièce comme les moulures, ne réussiront pas toujours à relever correctement le protège-lame. Avancer lentement la pièce pour amorcer la coupe. Si le protège-lame touche la lame, placer la pièce sous le protège-lame sans toucher à la lame, avant de démarrer le moteur.



Cette opération est identique au tronçonnage normal, sauf que le guide d'onglet est bloqué à un angle différent de 0°. Tenir FERMEMENT la pièce contre la jauge d'onglets et avancer lentement la pièce sur la lame (pour empêcher la pièce de bouger).

UTILISATION DU GUIDE D'ONGLET

Pour régler le guide d'onglet, desserrer la poignée de verrouillage et déplacer le guide à l'angle voulu. La jauge à onglets a réglé les butées à 90° et à 45°, à gauche et à droite. Pour tourner la jauge à onglets au-delà de ces butées, rabattre la plaque de butée.

Découpe à onglet mixte

Ce mode de coupe est une combinaison de tronçonnage avec angle de biseau et de découpe à l'onglet. Suivre les directives pour le tronçonnage en biseau et l'assemblage en onglet.

Coupe à rainure

⚠️ AVERTISSEMENT : Pour réduire le risque de blessures, éteindre l'appareil et le débrancher avant d'installer ou de retirer tout accessoire, avant d'ajuster ou de modifier les réglages, ou lors de réparations. Un démarrage accidentel peut provoquer des blessures.

⚠️ AVERTISSEMENT : Utiliser des pousoirs, des dispositifs de retenue, des gabarits, des montages ou des planches à languettes pour mieux guider et maîtriser la pièce lorsque le carter de lame ne peut servir à éviter toute blessure corporelle.

⚠️ AVERTISSEMENT : Pour les coupes non traversantes comme les rainures et les moulures, le carter de lame et l'ensemble de couteau séparateur doivent être enlevés. Toujours remettre et fixer le carter de lame et l'ensemble de couteau séparateur en position de fonctionnement pour les opérations normales de coupe de scie.

⚠️ MISE EN GARDE : NE PAS empiler ni régler les lames à rainurer dont l'épaisseur dépasse 20 mm (13/16 po). Ne pas utiliser des lames à rainurer dont le diamètre est supérieur à 20 cm (8 po). Toujours vérifier le jeu de la lame à rainurer avant de brancher la scie afin d'éviter des dommages à la scie et des blessures corporelles.

Comme les coupes à rainurer ne sont pas des coupes traversantes, elles doivent être réalisées sans que le carter de lame ne soit en place. Pour enlever le carter de lame, desserrer les deux boulons (SS) illustrés à la figure 16, puis retirer l'ensemble du carter.

Chaque fois qu'il faut réaliser une coupe beaucoup plus large que le trait de scie, il faut utiliser une lame à rainurer. Lorsque la lame à rainurer est utilisée, il faut aussi employer une plaquette spéciale à rainurer (également vendue comme accessoire). Lors de l'installation de l'ensemble de lame à rainurer, il peut être nécessaire d'éliminer la rondelle de serrage extérieure de l'ensemble afin d'avoir suffisamment de filets pour bien maintenir l'ensemble de lame à rainurer.

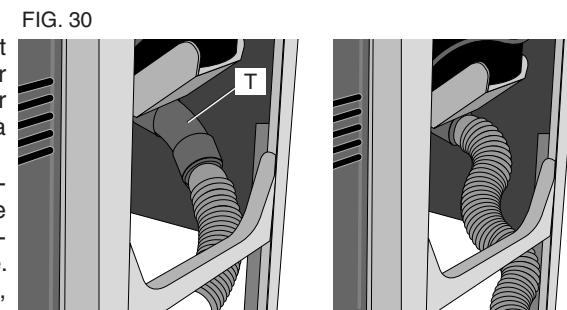
Une coupe à rainurer est couramment utilisée pour accroître le soutien et aligner une tablette destinée à une armoire, une bibliothèque ou pour tout autre projet. Lorsqu'une lame à rainurer est utilisée, le carter de lame doit être enlevé. Être EXTRÊMEMENT prudent au moment d'utiliser une lame à rainurer sans carter de lame. S'il faut réaliser une coupe profonde, faire plusieurs passes successives plutôt que de vouloir réaliser la coupe en une seule passe. La largeur maximale de la rainure pour cette scie est de 20 mm (13/16 po). NE PAS UTILISER DES COMBINAISONS PLUS LARGES.

Lors d'une coupe à l'aide d'une lame à rainurer, utiliser un dispositif de dépoussiérage pour éviter une charge importante de poussières accumulées sous la scie et sur l'admission de ventilation du moteur. Nettoyer souvent ces endroits.

Dépoussiérage

La scie circulaire à table est dotée d'un déflecteur de poussière et d'une goulotte à poussière. Pour optimiser les résultats, raccorder un aspirateur à l'orifice (T) à l'arrière de la scie.

Si la scie est utilisée sans aspirateur fixé à celle-ci, une grande partie de la poussière sera expulsée par l'orifice de dépoussiérage. Après une utilisation prolongée, il est possible que le système de dépoussiérage de la scie s'obstrue.



POUR DÉSOBSTRUER LE SYSTÈME DE DÉPOUSSIÉRAGE :

- Débrancher la scie.

- b. Utiliser un bâton à peinture ou un long tournevis pour dégager les débris et tronçons et les sortir par l'orifice.

Lors d'une coupe de bois mouillé sans aspirateur, d'une coupe de longs tronçons étroits ou d'une coupe avec une lame à rainurer, nettoyer l'orifice de dépoussiérage à chaque fois. Si vous constatez que l'orifice est souvent bouché, le coude de l'orifice de dépoussiérage peut être enlevé en desserrant les deux vis là où le coude est fixé au carénage de dépoussiérage. Il est alors possible de raccorder directement un boyau de dépoussiérage au carénage tant que la scie n'est pas inclinée au-delà de 35°.

ENTRETIEN

⚠AVERTISSEMENT : Pour réduire le risque de blessures, éteindre l'appareil et le débrancher avant d'installer ou de retirer tout accessoire, avant d'ajuster ou de modifier les réglages ou lors de réparations. Un démarrage accidentel peut provoquer des blessures.

Nettoyage

⚠AVERTISSEMENT : Lors du nettoyage des pièces de plastique, utiliser uniquement du savon doux et un chiffon humide. Bon nombre de nettoyants domestiques renferment des produits chimiques pouvant grandement endommager le plastique. En outre, ne pas utiliser d'essence, de térébenthine, de diluant à peinture-laque, de liquides pour nettoyage à sec ou tout autre produit semblable qui pourrait endommager gravement les composants en plastique. Ne jamais laisser de liquide pénétrer dans l'outil et n'immerger aucune partie de l'outil dans un liquide.

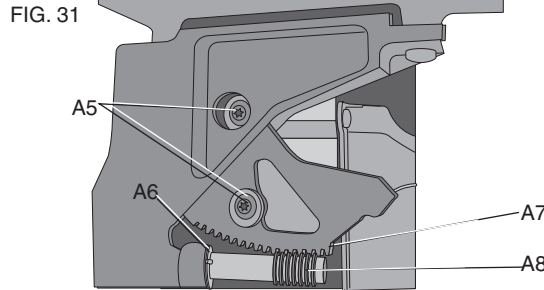
ESSUS DE TABLE

Protéger son investissement. Maintenir le banc de scie propre. S'il y a constat de signes de rouille, passer la laine d'acier aux endroits touchés, nettoyer à l'essence minérale ou à l'alcool à brûler, puis appliquer une cire en pâte.

Avec le temps, il peut falloir renouveler les lubrifiants utilisés dans le mécanisme de votre banc de scie.

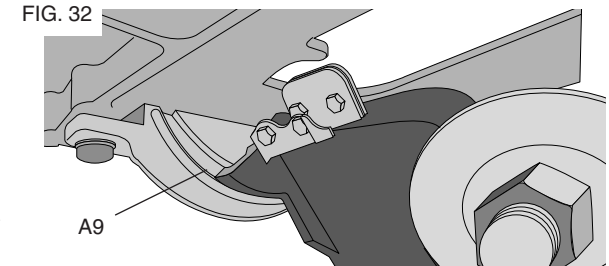
ENGRENAGE DE HAUTEUR ET CONIQUE (FIG. 31)

1. Éliminer la sciure accumulée sur les engrenages et vis avec une brosse dure.
2. Enlever la résine des engrenages et vis avec une brosse dure. Il peut falloir utiliser un solvant comme de l'essence minérale pour l'enlever.
3. Remettre de la graisse aux vis (A8), aux engrenages (A7) et à l'ensemble rondelle et broche (A6). Il est aussi possible d'appliquer une cire en pâte aux engrenages si vous constatez que la sciure colle trop à la graisse.
4. Si un jeu entre dents s'est produit dans le système de biseau, il est possible de régler de nouveau le jeu de l'engrenage conique. Pour effectuer le réglage, procéder comme suit :
 - a. Desserrer les deux vis (A5) fixant l'engrenage au cadre, laisser l'engrenage entrer en prise plus serrée
 - b. Serrer légèrement les vis et tourner la vis d'un tour complet pour régler la hauteur de l'engrenage. Serrer les vis de fixation de l'engrenage. **REMARQUE :** Ce réglage doit se faire au biseau de 0°.



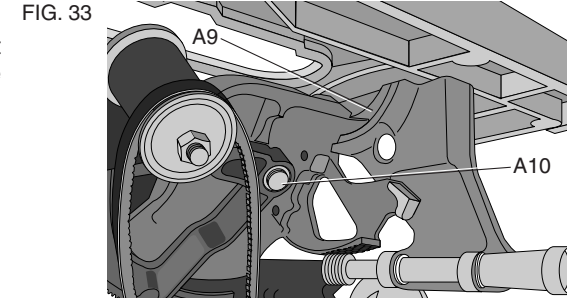
PIVOT DE BISEAU

Les tourillons de pivot de biseau, avant et arrière, doivent aussi être maintenus. D'abord, les nettoyer comme les engrenages ont été nettoyés. Appliquer ensuite une graisse dans les fentes courbées (A9) et incliner la scie de l'avant à l'arrière pour répartir la graisse.



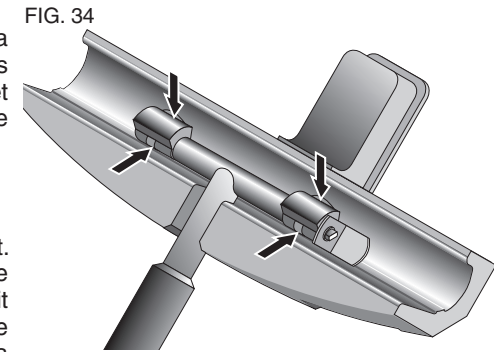
PIVOT D'ARBRE

Il peut aussi falloir lubrifier le pivot de l'arbre (A10). Pour ce faire, on peut appliquer une huile légère à la base et au sommet du pivot.



Lubrification de la tête du guide

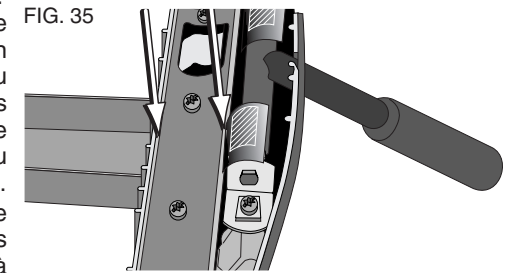
Il faut graisser périodiquement les pièces mobiles de la tête du guide. Cela comprend la zone située entre les cames et les poignées de blocage et entre les cames et la pièce moulée de la tête du guide.



Maintien du système du guide

Le guide doit toujours glisser librement. S'il faut une force excessive pour faire glisser le guide ou que cela ne se fait pas librement, nettoyer les barres de guidage et la surface coulissante de la tête du guide avec un chiffon ou du papier essuie-tout. Vérifier de nouveau le déplacement. S'il y a encore des secousses, nettoyer la tête du guide avec un solvant doux comme de l'alcool à brûler ou de l'essence minérale.

Enduire de nouveau la barre de guidage avec une couche généreuse de cire en pâte ou d'huile légère. Coulisser la tête du guide de l'avant à l'arrière plusieurs fois pour enduire la barre de guidage et le guide. Essuyer tout excès de cire ou d'huile provenant de la barre de guidage. Si les bandes de glissement de la tête du guide (flèches, figure 35) sont usées ou endommagées, elles sont faciles à remplacer. Consulter le centre de réparation DEWALT de votre région pour les pièces et pour obtenir de l'assistance.



Accessoires

⚠️ AVERTISSEMENT : Puisque les accessoires autres que ceux offerts par DEWALT n'ont pas été testés avec ce produit, l'utilisation de ceux-ci avec l'outil pourrait s'avérer dangereuse. Pour réduire le risque de blessures, utiliser exclusivement les accessoires DEWALT recommandés avec le présent produit.

Les accessoires recommandés pour utilisation avec l'outil sont disponibles, à un coût supplémentaire, auprès du distributeur ou du centre de réparation autorisé de votre région.

Si vous avez besoin d'assistance pour trouver un accessoire pour votre outil, veuillez contacter DEWALT Industrial Tool Co., 701 East Joppa Road, Baltimore, MD 21286, États-Unis, composer le 1(800) 4-DEWALT (1-800-433-9258) ou visiter notre site Web à www.dewalt.com.

DEWALT fabrique les accessoires suivants pour votre scie :

- Base mobile
- Table coulissante et jauge de première qualité
- Extension en fer
- Table de sortie
- Système de barre de guidage de 52 po
- Plaque de lumière à rainurer
- Extension en acier
- Système de barre de guidage de 30 po
- Face de guide à profil bas
- Jauge à onglets améliorée

⚠️ AVERTISSEMENT : Les accessoires montés sur l'arbre doivent présenter un régime nominal plus élevé que le régime indiqué sur la plaque signalétique de l'outil (et non du moteur). Sinon, une destruction de l'accessoire ou des blessures peuvent se produire.

Réparations

Pour assurer la SÉCURITÉ et la FIABILITÉ du produit, les réparations, l'entretien et les réglages (y compris l'inspection et le remplacement de la brosse) doivent être réalisés par un centre de réparation en usine DEWALT, un centre de réparation autorisé DEWALT ou par un personnel de réparation professionnel. Toujours utiliser des pièces de rechange identiques.

Garantie limitée trois ans

DEWALT réparera gratuitement tous les problèmes dus à des défauts de matériau ou de fabrication pendant trois ans à compter de la date d'achat. Cette garantie ne couvre pas des défaillances de pièce dues à une usure normale ou à une mauvaise utilisation de l'outil. Pour plus de détails relatifs à la couverture de la garantie et aux réparations sous garantie, visiter le site Web www.dewalt.com ou composer le 1 (800) 4-DEWALT (1 (800) 433-9258). Cette garantie ne s'applique pas aux accessoires ni aux dommages causés par des réparations réalisées ou tentées par des tiers. Cette garantie vous accorde des droits légaux spécifiques et il est possible que vous ayez d'autres droits qui varient d'un État ou d'une province à l'autre.

En plus de la garantie, les outils DEWALT sont couverts par notre :

SERVICE D'ENTRETIEN GRATUIT DE 1 AN

DEWALT entretiendra l'outil et remplacera les pièces usées par une utilisation normale et ce, gratuitement, à tout instant pendant la première année à compter de la date d'achat.

GARANTIE DE REMBOURSEMENT DE 90 JOURS

Si vous n'êtes pas entièrement satisfait des performances de votre outil électrique, laser ou de votre cloueuse DEWALT pour quelque raison que ce soit, vous pouvez le retourner accompagné d'un reçu dans les 90 jours suivant la date d'achat et nous vous rembourserons entièrement – sans poser de questions.

AMÉRIQUE LATINE : cette garantie ne s'applique pas aux produits vendus en Amérique latine. Pour ceux-ci, veuillez consulter les informations relatives à la garantie spécifique présente dans l'emballage, appeler l'entreprise locale ou consulter le site Web pour les informations relatives à cette garantie.

REPLACEMENT GRATUIT DES ÉTIQUETTES D'AVERTISSEMENT : si les étiquettes d'avertissement deviennent illisibles ou sont manquantes, composer le 1 (800) 4-DEWALT pour en obtenir le remplacement gratuit.



• USE SAW BLADE GUARD AND SPLITTER FOR EVERY OPERATION WHICH IT CAN BE USED, INCLUDING ALL THROUGH SAWING.
• KEEP HANDS OUT OF THE LINE OF SAW BLADE.
• USE A PUSH-STICK WHEN REQUIRED.

⚠️ DANGER PELIGRO
KEEP HANDS AWAY FROM BLADE
MANTENGASE ALEJADO DE LA HOJA DE SIERRA



DW746 BLADE 10", 250mm

NOTE: USE 120 VOLT, 15 AMP BRANCH CIRCUIT PROTECTED BY A CIRCUIT BREAKER OR 15 AMP HEAVY DUTY TIME DELAY FUSE MARKED "D".

PATENTS PENDING
SER. [REDACTED]

⚠️ WARNING : FOR YOUR OWN SAFETY, READ INSTRUCTION MANUAL BEFORE OPERATING SAW. • ALWAYS WEAR EYE PROTECTION. • DO NOT WEAR GLOVES, NECKTIES, JEWELRY OR LOOSE CLOTHING. • CONTAIN LONG HAIR. • KEEP HANDS AND FINGERS OUT OF THE SAW BLADE PATH - USE EXTRA CAUTION WHEN BEVELING. • USE SAW-BLADE GUARD AND SPREADER FOR EVERY OPERATION FOR WHICH IT CAN BE USED, INCLUDING ALL THROUGH SAWING. • USE A "PUSH STICK" WHEN REQUIRED. • KNOW HOW TO AVOID KICKBACKS - SEE MANUAL. ALWAYS SUPPORT WORK WITH TABLE AND FENCE OR MITER GAGE. DO NOT PERFORM ANY OPERATION FREE HAND. • NEVER USE FENCE AND MITER GAGE TOGETHER. • NEVER REACH AROUND OR OVER SAW BLADE. • SECURELY MOUNT SAW BLADE BEFORE OPERATING. • NEVER REMOVE JAMMED OR CUT-OFF PIECES UNTIL POWER IS OFF AND BLADE HAS STOPPED. • DO NOT EXPOSE TO RAIN OR USE IN DAMP LOCATIONS. • DO NOT OPERATE THIS MACHINE WHILE UNDER THE INFLUENCE OF ALCOHOL OR DRUGS. • WHEN SERVICING USE ONLY IDENTICAL REPLACEMENT PARTS. • FAILURE TO COMPLY WITH THESE WARNINGS MAY RESULT IN SERIOUS PERSONAL INJURY.

⚠️ AVERTISSEMENT : POUR S'ASSURER DU FONCTIONNEMENT SÛR, LIRE LE GUIDE D'UTILISATION. NE PAS EXPOSER À LA PLUIE NE PAS UTILISER DANS LES EMPLACEMENTS HUMIDES. SI CETTE MACHINE EST CONNECTÉE À UN CIRCUIT PROTÉGÉ PAR DES FUSIBLES, EMPLOYER DES FUSIBLES À ACTION DIFFÉRÉE MARQUÉS D.

DEWALT INDUSTRIAL TOOL CO., BALTIMORE, MD 21286 USA
FOR SERVICE INFORMATION, CALL 1-800-4-DEWALT
www.Dewalt.com

Dépannage

LA SCIE NE DÉMARRE PAS	MESURES À PRENDRE
1. Scie non branchée	1. Brancher la scie.
2. Fusible grillé ou disjoncteur déclenché	2. Remplacer le fusible ou réinitialiser le disjoncteur
3. Cordon endommagé.	3. Faites remplacer le cordon par un centre de réparation agréé.
LES DÉCOUPES EFFECTUÉES PAR LA SCIE NE SONT PAS SATISFAISANTES	MESURES À PRENDRE
1. Lame émoussée.	1. Remplacer la lame. Page 23.
2. Lame montée à l'envers	2. Inverser la lame. Page 23.
3. Gomme ou résine sur la lame.	3. Retirer la lame et la nettoyer à l'aide de térébenthine et de laine d'acier grossière ou d'un produit à nettoyer les fours.
4. Lame inadéquate pour le travail effectué.	4. Changer le type de lame. Page 23.
LA LAME N'ATTEINT PAS SON PLEIN RÉGIME	MESURES À PRENDRE
1. La rallonge est trop légère ou trop longue.	1. La remplacer par une rallonge de taille adéquate. Page 16.
2. Courant domestique trop faible	2. Contacter la compagnie d'électricité.
3. Courroie usée ou brisée.	3. Remplacer la courroie. Consulter un centre de réparation DEWALT

LA MACHINE VIBRE DE MANIÈRE EXCESSIVE	MESURES À PRENDRE
1. Scie reposant sur un plancher inégal	1. Repositionner la scie sur une surface plane. Régler les pieds pour stabiliser la scie. Page 24.
2. Lame de scie endommagée	2. Remplacer la lame. Page 23.
3. Scie non fixée au plancher.	3. Assujettir la scie au plancher.
4. Courroie endommagée.	4. Remplacer la courroie.
COUPES D'ONGLET IMPRÉCISES	MESURES À PRENDRE
1. La jauge à onglets n'est pas correctement réglée	1. Vérifier et régler. Page 24.
2. La jauge à onglets n'est pas en équerre avec la lame.	2. Vérifier et régler. Page 24.
3. La lame n'est pas perpendiculaire à la table	3. Vérifier et les butées de biseau et les régler. Page 24.
4. La pièce se déplace	4. Bloquer la pièce à la face de la tête d'onglets. Coller une pièce de papier abrasif, no 120, à la face de la tête d'onglets.
COINCEMENT DU MATÉRIAU DURANT LA COUPE	MESURES À PRENDRE
1. Coupe de matériau arqué	1. Le matériau doit reposer à plat au point de coupe et être soutenu par une sangle et/ou une jauge à onglets.
2. Guide qui n'est pas parallèle avec la lame.	2. Aligner le guide. Page 22.
3. Couteau séparateur non aligné avec la lame.	3. Aligner le couteau séparateur. Page 23.
COUPES DE SCIAGE EN LONG IMPRÉCISES	MESURES À PRENDRE
1. Pointeur de l'échelle de sciage en long non aligné.	1. Régler le pointeur Page 23.
COUPES EN BISEAU IMPRÉCISES	MESURES À PRENDRE :
1. Échelle de biseaux non réglée.	1. Régler l'échelle. Page 23.
2. Butées de biseau non réglées.	2. Régler les butées de biseau. Page 24.
L'ARRIÈRE DU GUIDE SE SOULÈVE LORS DU VERROUILLAGE DU GUIDE	MESURES À PRENDRE
1. La bride arrière n'est pas engagée avec la barre de guidage arrière.	1. Fixer de nouveau le guide. S'assurer que la bride est engagée. Page 23.
2. Capuchon/bride arrière non positionné correctement	2. Régler la position du capuchon arrière. Page 23.

LE GUIDE NE GLISSE PAS LIBREMENT	MESURES À PRENDRE
1. Le guide traîne ou saute durant son déplacement.	1. Nettoyer les barres de guidage avant et arrière Appliquer de nouveau de la cire. Page 28.
2. Le capuchon/bride arrière fait obstacle à l'arrière de la scie.	2. Régler la position du capuchon arrière. Page 23.
LE GUIDE HEURTE LE DESSUS DE LA TABLE OU LE JEU CHANGE LORS DU DÉPLACEMENT DU GUIDE SUR LES BARRES DE GUIDAGE	MESURES À PRENDRE
1. Barre(s) de guidage avant et/ou arrière non parallèle(s) à la table.	1. Régler les barres de guidage pour qu'elles soient parallèles. Page 21.
2. Tables de soutien non alignées avec le dessus de table	2. Régler les tables de soutien pour les aligner avec le dessus de table. Page 21.
3. La face du guide traîne sur la surface de la table.	3. Régler la face du guide. Page 22.
MANIVELLES DE HAUTEUR OU DE BISEAU DIFFICILES À TOURNER	MESURES À PRENDRE
1. Dispositif de verrouillage de la manivelle engagé.	1. Desserrer le bouton de verrouillage de 1/4 ou 1/2 tour.
2. La sciure, la résine sur les engrenages de hauteur, coniques rendent le fonctionnement difficile.	2. Consulter la section Entretien, page 28.
L'ORIFICE DE DÉPOUSSIÉRAGE SE BOUCHE	MESURES À PRENDRE
1. Aspirateur non fixé	1. Fixer l'aspirateur. Page 28.
2. Coupe de petits éclats ou morceaux	2. Enlever l'orifice de dépoussiérage. Utiliser un bâton de peinture ou un tournevis pour déloger les débris or laisser l'orifice fermé. Page 28.

Definiciones: Normas de seguridad

Las siguientes definiciones describen el nivel de gravedad de cada palabra de señal. Lea el manual y preste atención a estos símbolos.

⚠PELIGRO: indica una situación de peligro inminente que, si no se evita, provocará la muerte o lesiones graves.

⚠ADVERTENCIA: indica una situación de peligro potencial que, si no se evita, podría provocar la muerte o lesiones graves.

⚠PRECAUCIÓN: indica una situación de peligro potencial que, si no se evita, posiblemente provocaría lesiones leves o moderadas.

PRECAUCIÓN: cuando se utiliza sin el símbolo de alerta de seguridad indica una situación de peligro potencial que, si no se evita, puede provocar daños en la propiedad.

Instrucciones de seguridad importantes

⚠ADVERTENCIA: lea todas las instrucciones antes de operar el producto. El incumplimiento de todas y cada una de las instrucciones enumeradas a continuación puede provocar una descarga eléctrica, un incendio y/o lesiones graves.

CONSERVE ESTAS INSTRUCCIONES

⚠ADVERTENCIA: RESPETE TODOS LOS CÓDIGOS DE CABLEADO y las conexiones eléctricas recomendadas para prevenir los riesgos de descargas eléctricas o electrocución.

Instrucciones de conexión a tierra

Para realizar la conexión a tierra de la sierra, lea las siguientes instrucciones.

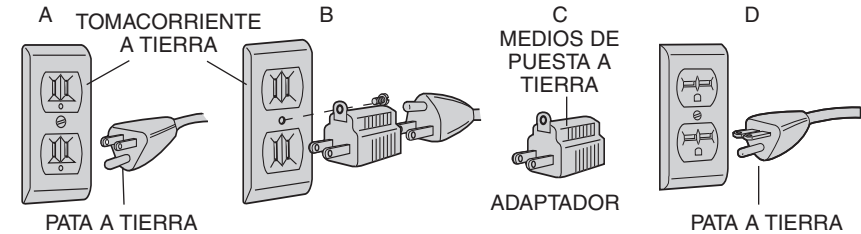
⚠PELIGRO: RIESGO DE DESCARGA ELÉCTRICA. ESTA MÁQUINA DEBE ESTAR CONECTADA A TIERRA MIENTRAS ESTÉ EN USO. DE LO CONTRARIO, PUEDE CAUSAR LESIONES GRAVES.

TODAS LAS MÁQUINAS ESTÁN PUESTAS A TIERRA Y CONECTADAS A TRAVÉS DE UN CABLE

En caso de un mal funcionamiento o falla, la conexión a tierra proporciona un trayecto de la menor resistencia posible para reducir el riesgo de que la corriente ocasione una descarga eléctrica. Esta máquina está equipada con un cable eléctrico que tiene un conductor y un enchufe para poner el equipo a tierra. El enchufe se debe utilizar con un tomacorriente adecuado que haya sido instalado correctamente y conectado a tierra de acuerdo con todos los códigos y las ordenanzas locales. No cambie el enchufe suministrado; si no se adapta apropiadamente al tomacorriente, solicite a un electricista calificado que instale el tomacorriente correcto. Como consecuencia de una conexión inadecuada del conductor a tierra del equipo se puede generar un riesgo de descarga eléctrica. El conductor a tierra del equipo es el que tiene un aislante de color verde en la superficie externa, con o sin bandas amarillas. Si fuera necesario reparar o reemplazar el cable eléctrico, no conecte el conductor a tierra del equipo a una terminal de baja tensión. Llame a un electricista calificado o al personal del servicio para que verifique las conexiones si no comprende completamente las instrucciones de conexión a tierra o si duda de que la máquina esté conectada a tierra correctamente. Utilice solamente cables prolongadores de 3 conductores que tengan enchufes a tierra de 3 patas y tomacorrientes de 3 conductores que se adapten al enchufe de la máquina, como se muestra en la Figura A. Repare o reemplace los cables dañados o gastados inmediatamente.

MÁQUINAS PUESTAS A TIERRA, CONECTADAS A TRAVÉS DE UN CABLE Y DISEÑADAS PARA SER UTILIZADAS EN UN CIRCUITO DE SUMINISTRO CON UN ÍNDICE NOMINAL MENOR A 150 VOLTIOS

Si la máquina está diseñada para utilizarse en un circuito que tiene un tomacorriente, similar al que ilustra la Figura A, tendrá un enchufe a tierra parecido al que ilustra la Figura A. Si no dispone de un tomacorriente correctamente conectado a tierra, puede usar un adaptador provisional, similar al que ilustra la Figura B, para conectar este enchufe a un tomacorriente para dos patas correspondiente, como el que se muestra en la Figura C. El adaptador provisional únicamente debe usarse hasta que un electricista calificado instale un tomacorriente correctamente conectado a tierra. La oreja, la lengüeta, o algo semejante, de color verde que sale del adaptador debe estar conectada a tierra en forma permanente por medio de una caja de tomacorriente conectado a tierra correctamente. Cuando se utilice el adaptador, debe estar fijo con un tornillo de metal.



NOTA: en Canadá, el Código de Electricidad Canadiense no permite el uso de adaptadores provisionales.

⚠PELIGRO: EN TODOS LOS CASOS, ASEGÚRESE DE QUE EL TOMACORRIENTE EN USO ESTÉ CONECTADO A TIERRA CORRECTAMENTE. SI NO ESTÁ SEGURO, CONTRATE A UN ELECTRICISTA CALIFICADO PARA QUE VERIFIQUE EL TOMACORRIENTE.

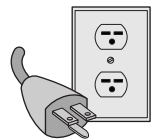
Operación de una sola fase de 240 voltios

El motor provisto con su máquina es de doble voltaje, es decir de 120/240 voltios. Viene listo para su funcionamiento en operaciones de 120 voltios. Sin embargo, se puede convertir para operaciones de 240 voltios. Un electricista calificado debe hacer la conversión, o lleve la máquina a un centro autorizado de mantenimiento de DEWALT. Cuando se complete la conversión, la máquina debe cumplir con el Código Eléctrico Nacional (National Electric Code), y con todos los códigos y ordenanzas locales.

Para convertir la máquina, se realiza un nuevo cableado del motor para 240 voltios, se instala un enchufe para 240 voltios en el cable de la fuente de energía y se reemplaza el interruptor (si es necesario) por uno adecuado para operaciones de 240 voltios.

La sierra con el enchufe para 240 voltios **SÓLO** se debe conectar a un tomacorriente que tenga la misma configuración que el enchufe que se muestra en la ilustración. No hay un adaptador disponible ni se debe usar con el enchufe de 240 voltios.

⚠PELIGRO: EN TODOS LOS CASOS, ASEGÚRESE DE QUE EL TOMACORRIENTE EN USO ESTÉ CONECTADO A TIERRA CORRECTAMENTE. SI NO ESTÁ SEGURO, CONTRATE A UN ELECTRICISTA CALIFICADO PARA QUE VERIFIQUE EL TOMACORRIENTE.



Doble aislamiento

Si la sierra tiene un sistema de doble aislamiento, lea las siguientes instrucciones.

Las herramientas de doble aislamiento están fabricadas en su totalidad con dos capas separadas o con una capa de doble espesor de aislamiento eléctrico, que protege al usuario del sistema eléctrico de la herramienta. Las herramientas fabricadas con este sistema de aislamiento no requieren conexión a tierra. En consecuencia, esta herramienta está equipada con un enchufe de dos conectores que le permite utilizar cables prolongadores sin tener que preocuparse por mantener la conexión a tierra. Repare o reemplace los cables dañados o gastados inmediatamente.

NOTA: el doble aislamiento no sustituye las precauciones normales de seguridad que se deben tomar al utilizar la herramienta. El sistema de aislamiento es una medida de protección adicional contra cualquier lesión resultante de una posible falla eléctrica del sistema de aislamiento interno de la herramienta.

ENCHUFES POLARIZADOS

Para disminuir el riesgo de descargas eléctricas, este equipo posee un enchufe polarizado (una hoja es más amplia que la otra). Este enchufe se calza en un tomacorriente polarizado de una sola manera. Si el enchufe no se ajusta totalmente en el tomacorriente, invierta el enchufe. Si aun así no se ajusta bien, recurra a un electricista calificado para que instale un tomacorriente adecuado. No cambie el enchufe de ninguna manera.

Instrucciones de seguridad importantes

- **PARA REDUCIR EL RIESGO DE RETROCESO Y OTRAS LESIONES, MANTENGA LOS PROTECTORES INSTALADOS ADECUADAMENTE** y en funcionamiento en todo momento.
- **RETIRE LAS LLAVES DE AJUSTE Y LLAVES DE TUERCAS.** Acostúmbrese a verificar que se hayan retirado del eje las llaves de ajuste y las llaves de tuercas antes de encender la herramienta. Las herramientas, las piezas de descarte y otro tipo de desechos pueden salir despedidos a alta velocidad y provocar lesiones.
- **MANTENGA LIMPIA EL ÁREA DE TRABAJO.** Los espacios y los bancos de trabajo abarrotados propician accidentes.
- **NO UTILICE LA MÁQUINA EN LUGARES PELIGROSOS.** El uso de herramientas eléctricas en lugares húmedos o mojados o bajo la lluvia puede provocar descargas eléctricas o electrocución. Mantenga su área de trabajo bien iluminada para evitar tropezones o poner en peligro brazos, manos y dedos.
- **MANTENGA A LOS NIÑOS ALEJADOS.** Los visitantes deben mantenerse a una distancia segura del área de trabajo. Su taller es un lugar potencialmente peligroso.
- **PROCURE QUE SU TALLER SEA INACCESIBLE PARA LOS NIÑOS** instale candados e interruptores maestros, o retire las llaves que accionan las herramientas. Si un niño o un visitante enciende una máquina sin autorización, podría producirle lesiones.
- **NO FUERCE LA HERRAMIENTA.** Funcionará mejor y será más segura si la utiliza a la velocidad para la que fue diseñada.
- **UTILICE LA HERRAMIENTA ADECUADA.** No fuerce la herramienta o el accesorio para realizar tareas para las que no fueron diseñados. Usar la herramienta o el accesorio incorrecto puede causar lesiones personales.
- **UTILICE EL CABLE PROLONGADOR APROPIADO.** Asegúrese de que el cable prolongador esté en buenas condiciones. Si su herramienta está equipada con un juego de cables, utilice solamente cables prolongadores de 3 conductores que tengan enchufes a tierra de 3 patas y tomacorrientes tripolares que se adapten al enchufe de la herramienta. Cuando utilice un cable prolongador, asegúrese de que tenga la capacidad para conducir la corriente que su producto exige. Un cable de menor capacidad provocará una disminución en el voltaje de la línea, lo cual producirá una pérdida de potencia y sobrecalentamiento. La siguiente tabla muestra la medida

correcta que debe utilizar según la longitud del cable y la capacidad nominal en amperios indicada en la placa. En caso de duda, utilice el calibre inmediatamente superior. Cuanto menor es el número de calibre, más grueso es el cable.

CALIBRE MÍNIMO PARA LOS JUEGOS DE CABLES

Voltios	Largo total del cable en pies			
	0-25	26-50	51-100	101-150
120 V				
240 V	0-50	51-100	101-200	201-300

Capacidad nominal en amperios		AWG			
Más que	No más que				
0	- 6	18	16	16	14
6	- 10	18	16	14	12
10	- 12	16	16	14	12
12	- 16	14	12	No recomendado	

- **UTILICE INDUMENTARIA ADECUADA.** No utilice ropa holgada, guantes, corbatas, anillos, pulseras u otras alhajas que puedan quedar atrapadas entre las piezas móviles. Se recomienda el uso de calzado antideslizante. Recójase y cubra el cabello largo. Los orificios de ventilación pueden cubrir piezas en movimiento, por lo que también se deben evitar.
- **SIEMPRE USE LENTES DE SEGURIDAD.** Everyday eyeglasses are NOT safety glasses. Also use face or dust mask if cutting. Los anteojos de uso diario NO son lentes de seguridad. Utilice también máscaras faciales o para polvo si el corte produce polvillo. Utilice SIEMPRE equipos de seguridad certificados:
 - Protección para los ojos según la norma ANSI Z87.1 (CAN/CSA Z94.3)
 - Protección auditiva según la norma ANSI S12.6 (S3.19)
 - Protección respiratoria según las normas NIOSH/OSHA/MSHA.
- **NO SE ESTIRE.** Conserve el equilibrio y párese adecuadamente en todo momento. La pérdida de equilibrio podría provocar lesiones personales.
- **CONSERVE LAS HERRAMIENTAS ADECUADAMENTE.** Mantenga las hojas afiladas y limpias para obtener un rendimiento óptimo y seguro. Siga las instrucciones para lubricar y cambiar los accesorios. Las máquinas y las hojas que carecen de un mantenimiento adecuado pueden dañar aún más la máquina o la hoja o causar lesiones.
- **APAGUE LA MÁQUINA Y DESCONÉCTELA DE LA FUENTE DE ALIMENTACIÓN** las configuraciones o cuando haga reparaciones. No toque las patas de metal del enchufe al enchufar o desconectar el cable. Un arranque accidental podría causar lesiones.
- **REDUZCA EL RIESGO DE ENCENDIDO ACCIDENTAL.** Asegúrese de que el interruptor esté en la posición "OFF" (de apagado) antes de enchufar el cable de alimentación. En caso de un corte de corriente, mueva el interruptor a la posición de "OFF" (de apagado). Un arranque accidental podría causar lesiones.
- **UTILICE ACCESORIOS RECOMENDADOS.** Utilice sólo accesorios recomendados por el fabricante para el modelo que posee. Los accesorios que pueden ser aptos para una herramienta, pueden convertirse en un factor de riesgo cuando se utilizan en otra herramienta. Consulte el manual de instrucciones para obtener información acerca de los accesorios recomendados. La utilización de accesorios inadecuados puede ocasionar lesiones personales.
- **NUNCA SE PARE SOBRE LA HERRAMIENTA.** Si la herramienta se cae o alguien toca accidentalmente el elemento cortante, podrían producirse lesiones graves.
- **VERIFIQUE QUE NO HAYA PIEZAS DAÑADAS.** Antes de volver a utilizar la herramienta, se deben controlar cuidadosamente los protectores o cualquier otra pieza dañada para asegurar el funcionamiento y el rendimiento apropiados de la herramienta en la aplicación deseada. Verifique la unidad para comprobar la alineación de las

piezas móviles, si hay piezas dañadas, bloqueos o cualquier otra situación que pueda afectar el funcionamiento de la herramienta. Los protectores u otras piezas dañadas deben ser correctamente reparados o reemplazados. No utilice la herramienta si no puede encenderla o apagarla con el interruptor. Las piezas dañadas pueden deteriorar la máquina aún más o causar lesiones.

- **DIRECCIÓN DE ALIMENTACIÓN.** Introduzca la pieza de trabajo solamente en dirección contraria a la rotación de la hoja o cortadora.
- **NUNCA DEJE LA HERRAMIENTA EN FUNCIONAMIENTO Y SIN ATENCIÓN. DESCONECTE LA ENERGÍA.** No suelte la herramienta hasta que no se haya detenido por completo. Puede causar lesiones graves.
- **NO OPERE HERRAMIENTAS ELÉCTRICAS CERCA DE LÍQUIDOS INFLAMABLES O EN ATMÓSFERAS GASEOSAS O EXPLOSIVAS.** Los motores e interruptores de estas herramientas originan chispas que pueden encender los vapores.
- **MANTÉNGASE ALERTA, PONGA ATENCIÓN EN LO QUE ESTÁ HACIENDO Y USE EL SENTIDO COMÚN. NO UTILICE LA MÁQUINA SI ESTÁ CANSADO O BAJO EL EFECTO DE DROGAS, ALCOHOL O MEDICAMENTOS.** Un momento de descuido mientras se opera una herramienta eléctrica puede provocar daños graves.
- **NO IGNORE LAS REGLAS DE SEGURIDAD POR ESTAR FAMILIARIZADO CON LA HERRAMIENTA (debido al uso frecuente de su sierra).** Recuerde siempre que un descuido de una fracción de segundo es suficiente para causar lesiones graves.

Normas de seguridad adicionales para las sierras de banco

- **EVITE POSICIONES COMPLICADAS,** donde un desliz repentino podría provocar que la mano se desplace hacia la hoja.
- **NUNCA ESTIRE NINGUNA DE LAS MANOS POR DETRÁS O ALREDEDOR DE LA HERRAMIENTA DE CORTE** para sostener la pieza de trabajo.
- **MANTENGA LOS BRAZOS, LAS MANOS Y LOS DEDOS LEJOS** de la hoja para prevenir lesiones graves.
- **USE UNA VARA DE EMPUJE O UN BLOQUE DE EMPUJE ADECUADO PARA LA APLICACIÓN PARA EMPUJAR LA PIEZA DE TRABAJO A TRAVÉS DE LA SIERRA.** Una vara de empuje es una vara de madera u otro material que no sea metal, por lo general de confección casera, que se debe usar siempre que el tamaño o la forma de la pieza de trabajo lo obligue a poner sus manos a menos de 152 mm (6 pulgadas) de la hoja. **Utilice patrones, plantillas sujetadoras, tablas de canto biselado u otras formas de sujeción para dirigir y controlar la pieza de trabajo cuando no pueda utilizar el protector.** Utilice el conjunto protector de la hoja y hendedor en todas las operaciones en las que se pueda usar, incluidos todos los cortes pasantes.
- **NO REALICE A PULSO CORTES LONGITUDINALES O TRANSVERSALES NI NINGUNA OTRA OPERACIÓN.**
- **NUNCA** se extienda alrededor o por detrás de la hoja de la sierra.
- **ESTABILIDAD.** Antes de usar la sierra de banco, confirme que esté firmemente montada en una superficie segura y que no se mueva.
- **NUNCA CORTE METALES FERROSOS** (que contengan hierro o acero), **TABLAS DE CEMENTO O MAMPOSTERÍA.** Para cortar ciertos materiales sintéticos con las sierras de banco se deben seguir instrucciones especiales. Siga las recomendaciones del fabricante en todo momento. De lo contrario, la sierra se puede dañar o se pueden producir lesiones personales.
- **PARA REDUCIR EL RIESGO DE QUE UNA PIEZA DE TRABAJO SALGA DESPEDIDA Y OCASIONE LESIONES PERSONALES** la placa para ranuras adecuada debe estar instalada en todo momento.

- **UTILICE LA HOJA DE SIERRA ADECUADA PARA LA OPERACIÓN QUE REALIZARÁ.** La hoja debe rotar hacia el frente de la sierra. Ajuste siempre la tuerca de eje de la hoja en forma segura. Antes de usar, inspeccione la hoja para detectar grietas o dientes faltantes. No utilice hojas dañadas.
- **NUNCA TRATE DE LIBERAR UNA HOJA ATASCADA SIN APAGAR LA MÁQUINA PRIMERO Y DESCONECTAR LA SIERRA DE LA FUENTE DE ALIMENTACIÓN.** Si una pieza de trabajo o de corte queda atrapada en el protector, apague la sierra y espere hasta que la hoja se detenga antes de levantar el protector y retirar la pieza.
- **NUNCA ENCIENDA LA MÁQUINA** con la pieza de trabajo contra la hoja para reducir el riesgo de que la pieza de trabajo salga despedida y ocasione lesiones personales.
- **NUNCA** coloque la pieza de trabajo entre la guía y un cabezal portacuchilla para moldura para reducir el riesgo de que la pieza de trabajo salga despedida y ocasione lesiones personales.
- **EVITE OPERACIONES COMPLICADAS Y POSICIONAR** las manos donde un desliz repentino podría provocar que la mano se desplace hacia la hoja.
- **NUNCA se ubique de modo que alguna parte del cuerpo quede en la misma línea que el trayecto de la hoja de la sierra.** Se producirán lesiones graves.
- **NUNCA REALICE TRABAJOS DE TRAZADO, ARMADO O INSTALACIÓN** en el banco o el área de trabajo cuando la máquina esté en funcionamiento. Un deslizamiento repentino podría llevar la mano hacia la hoja. Esto puede causar lesiones graves.
- **LIMPIE EL BANCO Y EL ÁREA DE TRABAJO ANTES DE ABANDONARLOS.** Bloquee el interruptor en la posición "OFF" (de apagado) y desconecte la herramienta de la fuente de alimentación para evitar el uso no autorizado.
- **NO DEJE UNA TABLA LARGA (ni otra pieza de trabajo) sin apoyo ya que el rebote de la tabla ocasiona su desplazamiento lateral sobre el banco, lo que a su vez ocasiona la pérdida de control y posibles lesiones.** Teniendo en cuenta el tamaño de la pieza de trabajo y el tipo de operación que realizará, suministre el apoyo adecuado a la pieza de trabajo. Sostenga el trabajo firmemente contra la guía y hacia abajo contra la superficie del banco.
- **NO OPERE ESTA MÁQUINA** hasta que no esté armada e instalada completamente, según las instrucciones. Una máquina montada de manera incorrecta puede provocar lesiones graves.
- **SOLICITE EL ASESORAMIENTO** de su supervisor, instructor o alguna persona calificada si no está familiarizado con el funcionamiento de esta máquina. El conocimiento garantiza la seguridad.
- Encontrará **INFORMACIÓN ADICIONAL** disponible acerca de la operación correcta y segura de herramientas eléctricas (por ejemplo: un video de seguridad) en el Instituto de Herramientas Eléctricas (Power Tool Institute), 1300 Sumner Avenue, Cleveland, OH 44115-2851 (www.powertoolinstitute.com). Además, encontrará información disponible en el Consejo Nacional de Seguridad (National Safety Council), 1121 Spring Lake Drive, Itasca, IL 60143-3201. Remítase a los Requisitos de Seguridad 01.1 para las máquinas de carpintería del Instituto Estadounidense de Normas Nacionales (American National Standards Institute - ANSI) y a las Normas OSHA 1910.213 del Ministerio de Trabajo de los Estados Unidos.

TÉRMINOS: LOS SIGUIENTES TÉRMINOS SE USARÁN A LO LARGO DEL MANUAL Y USTED DEBERÁ FAMILIARIZARSE CON ELLOS.

- **Corte pasante:** se refiere a cualquier corte que secciona la pieza de trabajo por completo.
- **Vara de empuje:** se refiere a una vara de madera, por lo general de confección casera, que se usa para empujar piezas de trabajo pequeñas a través de la sierra y mantiene las manos del operador fuera del alcance de la hoja.

- **Retroceso:** ocurre cuando la hoja se atasca durante el corte y despiende con violencia la pieza de trabajo hacia atrás, en dirección al operador.
- **A pulso:** se refiere al corte de una pieza de trabajo sin un calibrador de inglete, una guía de corte longitudinal o cualquier otro medio de guía o sujeción que la mano del operador.

PROTECTOR DE LA HOJA Y HENDEDOR

Su sierra está equipada con el conjunto protector de la hoja y hendedor, que cubre la hoja y evita el contacto accidental. El hendedor es una placa plana que se ajusta al corte que realiza la hoja y que reduce la posibilidad de retroceso con eficacia al disminuir la tendencia de la hoja de atascarse durante el corte. El hendedor sólo se puede usar cuando se realizan cortes pasantes. Cuando se realizan rebajos y otros cortes que no seccionan la madera, el conjunto protector de la hoja y hendedor se debe retirar de la sierra. El hendedor posee dos seguros antirretroceso que permiten que la hoja atraviese la madera en la dirección de corte, pero que la bloquean si trata de retroceder en dirección al operador.

VARAS DE EMPUJE (Cara Interna de la Contratapa)

⚠ADVERTENCIA: cuando se hagan cortes longitudinales para proyectos de menos de 152 mm (6") de ancho, se debe usar una vara para completar la inserción, la cual se puede hacer fácilmente de material sobrante siguiendo el patrón que se encuentra en el interior de la contraportada.

- Para operar su sierra de banco en forma segura, toda vez que el tamaño o la forma de la pieza de trabajo requiera que coloque sus manos a 152 mm (6") o menos de la hoja de la sierra u otra cortadora, debe utilizar una vara de empuje. Esta sierra incluye una vara de empuje.
- Para fabricar una vara de empuje no se requiere ninguna madera especial, en tanto se trate de un trozo de madera suficientemente fuerte y largo. Se recomienda utilizar varas de empuje de 305 mm (12") con una muesca que se ajuste contra el borde de la pieza de trabajo para evitar que se resbale. También se aconseja tener varias varas de empuje del mismo largo [305 mm (12")] con muescas de diferentes tamaños para utilizar con piezas de trabajo de distintos espesores.
- Consulte la cara interna de la contratapa para ver una imagen de una vara de empuje. En tanto que cumpla con la función de mantener las manos alejadas de la hoja, la forma de la vara de empuje puede variar según sus necesidades individuales.

RETROCESOS

Cómo evitarlos y protegerse contra lesiones personales

- Asegúrese de que la guía de corte longitudinal esté paralela a la hoja de la sierra.
- Al realizar cortes longitudinales, no aplique la fuerza de alimentación sobre la sección de la pieza de trabajo que corresponderá a la pieza cortada (libre). Cuando corte al hilo, la fuerza de alimentación se debe aplicar siempre entre la hoja de la sierra y la guía; utilice una vara de empuje para las piezas de trabajo cortas, de 152 mm (6") o menos. Para las piezas de trabajo de 51 mm (2") de ancho o menos, debe utilizar un accesorio especial.
- Mantenga el protector de la hoja, el hendedor y los dientes antirretroceso instalados correctamente y en funcionamiento. Mantenga los dientes afilados. Si los dientes no están en condiciones de funcionamiento, devuelva la unidad al centro de mantenimiento DEWALT más cercano para su reparación. El hendedor debe estar alineado con la hoja y los dientes deben detener un retroceso una vez que ha comenzado. Para controlar la acción de los dientes antirretroceso, antes de realizar cortes longitudinales, empuje la madera debajo de éstos. Los dientes deben evitar que la madera salga despedida hacia el frente de la sierra.
- Su sierra también puede cortar plástico y materiales compuestos, como madera aglomerada. Sin embargo, como estos materiales suelen ser bastante duros y resbaladizos, es posible que los seguros antirretroceso no detengan un retroceso. Por

- lo tanto, cuando realice cortes longitudinales, sea especialmente cuidadoso y siga los siguientes procedimientos de instalación y corte.
- Utilice el conjunto protector de la hoja y hendedor en todas las operaciones en las que se pueda usar, incluidos todos los cortes pasantes.
 - Antes de soltar la pieza de trabajo, empujela hasta que pase la hoja de la sierra.
 - NUNCA** realice un corte longitudinal en una pieza de trabajo que esté torcida o deformada o sin un borde recto que sirva de guía.
 - Cuando no se pueda utilizar el dispositivo antirretroceso o el protector y el hendedor, use tablas de canto biselado.
 - NUNCA** corte una pieza de trabajo grande que no pueda controlar.
 - NUNCA** use la guía de corte longitudinal como guía o tope longitudinal cuando realice cortes transversales.
 - NUNCA** corte una pieza de trabajo que tenga nudos sueltos, defectos, clavos u otros objetos extraños.
 - NUNCA** corte al hilo una pieza de trabajo más corta que 254 mm (10").

⚠ADVERTENCIA: algunas partículas originadas al lijar, aserrar, esmerilar, taladrar y realizar otras actividades de construcción contienen productos químicos reconocidos por el Estado de California como causantes de cáncer, defectos congénitos u otros problemas reproductivos. Algunos ejemplos de estos productos químicos son:

- el plomo de las pinturas de base plomo,
- la sílice cristalina de ladrillos, el cemento y otros productos de mampostería, y
- el arsénico y el cromo de la madera con tratamiento químico (CCA).

El riesgo derivado de estas exposiciones varía según la frecuencia con la que se realice este tipo de trabajo. Para reducir la exposición a estos productos químicos, se recomienda trabajar en áreas bien ventiladas y usar equipos de seguridad aprobados, como las máscaras para polvo especialmente diseñadas para filtrar las partículas microscópicas.

- **Evite el contacto prolongado con las partículas de polvo originadas al lijar, aserrar, esmerilar, taladrar y realizar demás actividades de la construcción. Use indumentaria protectora y lave las áreas expuestas con agua y jabón.** Evite que el polvo entre en la boca y en los ojos o se deposite en la piel, para impedir la absorción de productos químicos nocivos.

⚠ADVERTENCIA: el uso de esta herramienta puede generar o dispersar polvo. Esto puede provocar problemas respiratorios graves y permanentes u otras lesiones. Use siempre protección respiratoria apropiada para la exposición al polvo aprobada por el Instituto Nacional de Salud y Seguridad Ocupacional de EE.UU. y la Administración de Salud y Seguridad Ocupacional de EE.UU. (NIOSH y OSHA respectivamente, por sus siglas en inglés). Aleje la cara y el cuerpo del contacto con las partículas. Siempre opere la herramienta en áreas con buena ventilación y procure eliminar el polvo adecuadamente. Utilice un sistema de recolección de polvo, donde sea posible.

CONSERVE LAS INSTRUCCIONES PARA VOLVER A CONSULTAR EN EL FUTURO

Especificaciones

Caballos de fuerza 1-3/4
 Tamaño del banco 0,68 m (27") x 1,03 m (40-3/4")
 Ángulo de inglete 60° izquierda y derecha
 Ángulo de bisel 2° a 47° a la izquierda
 Tamaño de la hoja 254 mm (10")
 Profundidad máxima de corteBisel a 0° 79 mm (3-1/8")
 Profundidad máxima de corteBisel a 45° 54 mm (2-1/8")
 RPM, sin resistencia 3 000

Unidad básica DW746

Siempre siga las instrucciones incluidas con los accesorios cuando añada accesorios especiales a esta unidad. Ensamble los accesorios primero.

Herramientas incluidas

Para ayudarle con el ensamblaje de su sierra nueva, hemos incluido las siguientes herramientas:

- Llave Torx T50
- Llave hexagonal de 5 mm
- Llave de combinación con aperturas de 16 mm, 13 mm, 10 mm y 22 mm
- Llave para hojas con extremos de 10 mm y 15/16"

PARA ACELERAR EL ENSAMBLAJE, SERÍA ÚTIL CONTAR CON LO SIGUIENTE:

- Llave de casquillo de 16 mm o 5/8", con extensión de 152 mm (6")
- Llave de casquillo de 13 mm o 1/2"
- Llave abierta de 10 mm (2/5")
- Destornilladores Torx T20 y T25
- Llave Torx T-40

TAMBIÉN NECESITARÁ:

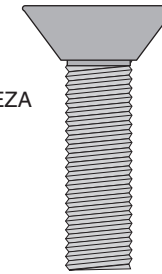
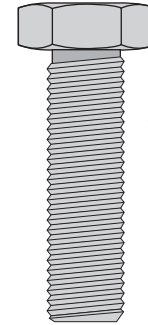
- Un limpiador disolvente suave como esencia mineral, solvente de pintura u alcohol desnaturalizado.
- Cera en pasta de alta calidad

Artículos de ferretería necesarios

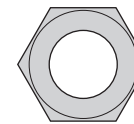
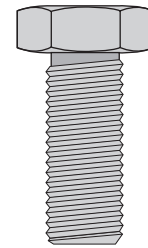
Su bolsa de ferretería, que se encuentra en la caja de partes, contiene todas las tuercas, tornillos y arandelas necesarios para ensamblar los componentes incluidos con la Sierra de banco para madera DW746.

Para que el ensamblaje de su sierra sea más fácil, coteje las tuercas, tornillos y arandelas con el dibujo en la esta página. Sepárelos por tamaño para que pueda encontrar fácilmente el artículo que necesita. Antes de cada paso, verifique sus artículos comparándolos con el dibujo e identifique las piezas que necesita.

Tornillería incluida con la sierra de banco para madera DW746



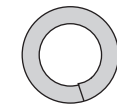
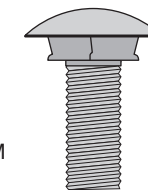
LLAVE
HEXAGONAL
5 MM (1)



TUERCA
HEXAGONAL M8
13 MM (4 PIEZAS)



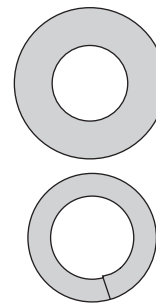
ROLDANA DE
SEGURIDAD 8 MM
(4 PIEZAS)



GANCHO
PARA LLAVES
(1)

**LAS PIEZAS DEMOSTRADAS
SON DEL MISMO TAMAÑO
- LOS SUJETADORES
ADICIONALES PUDIERON
HABER SIDO INCLUIDOS**

LLAVE
TORX
T50(1)



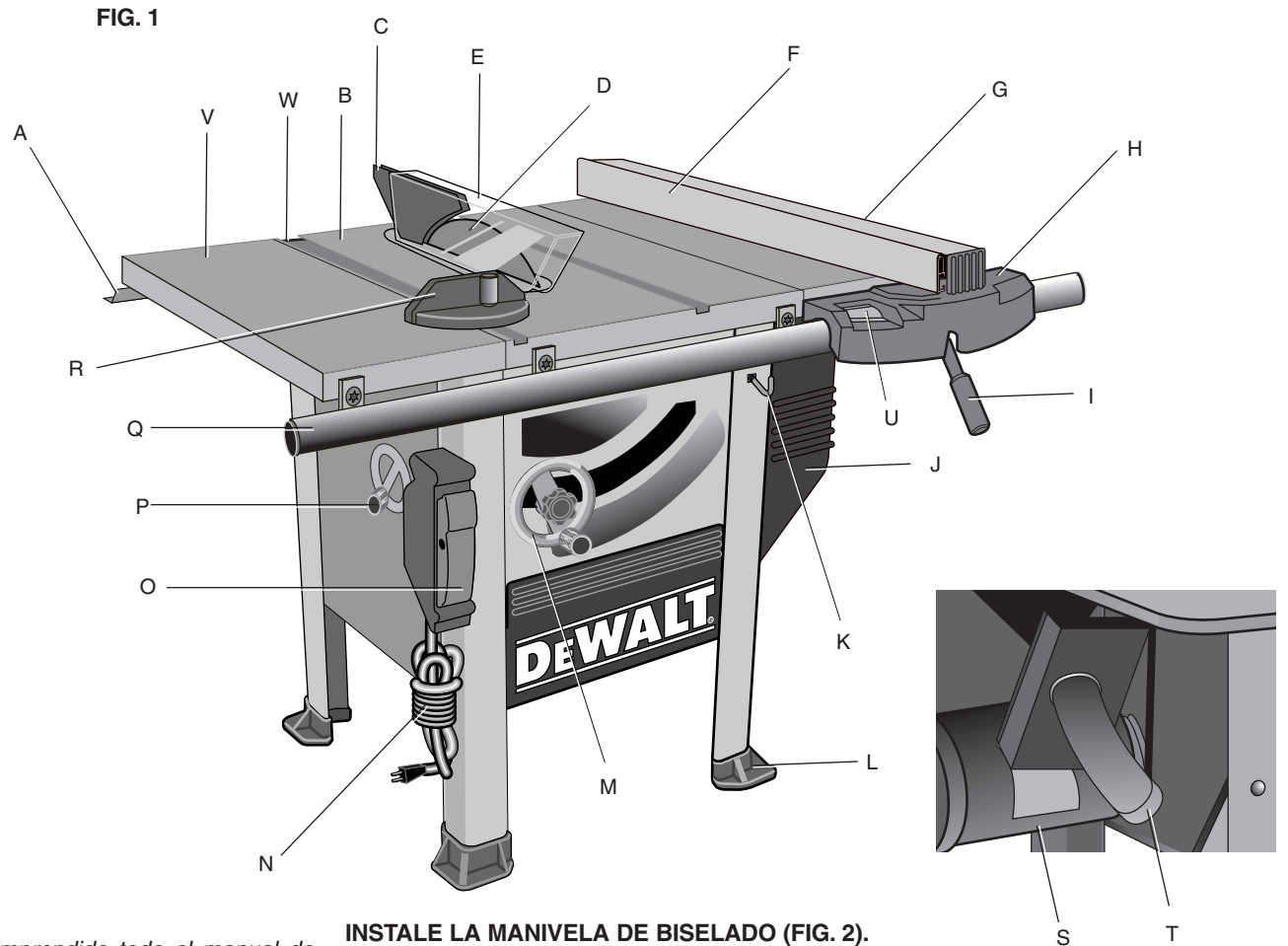
ROLDANA
PLANA
(14 PIEZAS)

ROLDANA
DESEGURIDAD 10 MM
(14 PIEZAS)

CARACTERÍSTICAS (Fig. 1)

Analice la Figura 1 para familiarizarse con la sierra y sus piezas. Las siguientes secciones sobre el ensamblaje y los ajustes usarán estos términos, y usted debe saber a qué piezas se refieren y dónde se encuentran.

- A. Riel trasero de la guía (incluida con DW746X)
- B. Banco
- C. Hendedor
- D. Hoja
- E. Protector de la hoja
- F. Cara de la guía
- G. Guía de corte longitudinal
- H. Barra de la guía
- I. Palanca de bloqueo de riel
- J. Cubierta del motor
- K. Gancho para llave
- L. Patas ajustables
- M. Rueda de ajuste de la altura de la hoja
- N. Cable de energía
- O. Interruptor de encendido/apagado
- P. Manivela de inclinación de la hoja
- Q. Riel delantero de la guía (incluido con DW746X)
- R. Calibrador de inglete
- S. Motor
- T. Colector de polvo
- U. Indicador de la escala de corte
- V. Banco auxiliar del costado
- W. Ranura de inglete



Desembalaje

⚠ADVERTENCIA: Para reducir el riesgo de lesiones, no conecte la máquina a la fuente de alimentación hasta que esté completamente ensamblada y usted haya leído y comprendido todo el manual de instrucciones.

1. Retire la caja de partes, cubierta del motor, barra de la guía, bancos auxiliares y rieles de guía (DW746X) de la sierra.
 2. Coloque la sierra en posición vertical.
- ⚠ADVERTENCIA:** Use un mínimo de dos personas para evitar lesiones al voltear la sierra y colocarla en posición vertical. El peso combinado del banco y el motor es de aproximadamente 91 kg (200 lbs).
3. Corte y retire la correa plástica que sujeta el motor.
 4. Usando la manivela manual delantera, baje un poco el motor y retire el material de embalaje de espuma que se encuentra entre el motor y el mecanismo.

Ensamblaje

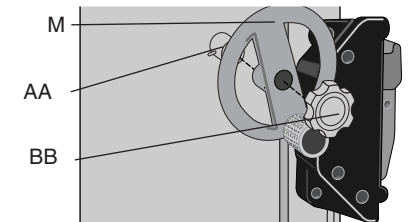
⚠ADVERTENCIA: Para reducir el riesgo de lesiones, no conecte la máquina a la fuente de alimentación hasta que esté completamente ensamblada y usted haya leído y comprendido todo el manual de instrucciones.

POR FAVOR, LEA TODA LA SECCIÓN DE ENSAMBLAJE ANTES DE PROSEGUIR.

INSTALE LA MANIVELA DE BISELADO (FIG. 2).

1. Instale la rueda para ajuste de la altura de la hoja (M) sobre el eje (AA), gírela levemente para engranar el perno del eje completamente.
2. Apriete la perilla de bloqueo (BB) en su lugar hasta que esté completamente asentada, luego aflójela entre 1/4 y 1/2 vuelta.
3. Dé vuelta a la rueda para ajustar la altura de la hoja (M) y subir el mecanismo lo más alto que se pueda.

FIG. 2

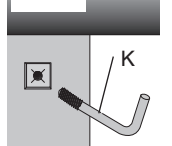


INSTALE EL GANCHO PARA LLAVE (FIG. 3)

NOTA: Siempre cuelgue la llave para hojas, la llave de mandril de bloqueo y la vara de empuje en el gancho para llave cuando no los esté usando.

1. Ubique la pieza intercalada plástica con rosca en la parte superior de la pata delantera derecha.
2. Enrosque el gancho para llave con forma de "L" (K) hasta que sólo se vean algunas partes de la rosca.

FIG. 3



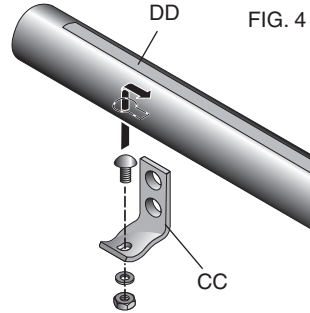
ENSAMBLE EL RIEL DELANTERO Y LAS ABRAZADERAS (FIG. 4)

IMPORTANTE: la DW746X incluye un sistema de riel de guía de precisión de 762 mm (30"). Se puede adquirir un sistema de riel de precisión de 762 mm (30") ó 1,32 m (52") para la DW746 por un costo adicional. Siempre siga las instrucciones incluidas con el accesorio. Luego de ensamblar el sistema de riel, consulte la sección **Colocación de los rieles paralelos a la parte superior del banco.**

Si necesita asistencia con este accesorio, por favor llame al 1-800-4-DEWALT (1-800-433-9258) o visite nuestro sitio en Internet en www.dewalt.com.

Necesitará: Pernos cabeza de hongo de 4 – 8 mm
Arandelas de seguridad de 4 – 8 mm
Tuercas de 4 - 8 mm

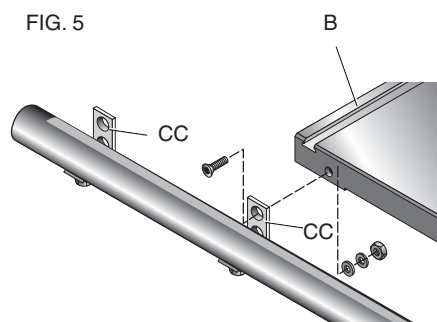
1. Desempaque la caja de los rieles. (contiene el riel delantero y trasero)
2. Coloque un perno cabeza de hongo en cada abrazadera del riel (CC) como se muestra.
3. Coloque las arandelas de seguridad y tuercas en los pernos cabeza de hongo y apriete las tuercas unas cuantas roscas.
4. Coloque la cabeza del perno cabeza de hongo en las ranuras de ojo de cerradura en el riel delantero, y deslícelo para engranar la parte cuadrada del perno. Asegúrese de que la escala de corte (DD) en el riel delantero y las cuatro abrazaderas apuntan hacia arriba.
5. Apriete bien la tuerca con los dedos.
6. Repita el procedimiento para las tres abrazaderas restantes.



SUJETE EL RIEL CON LAS ABRAZADERAS A LA PARTE SUPERIOR DEL BANCO (FIG. 5)

Necesitará: 2 tornillos planos de 10 x 30 mm
2 arandelas planas de 10 mm
2 arandelas de seguridad de 10 mm
2 tuercas de 10 mm

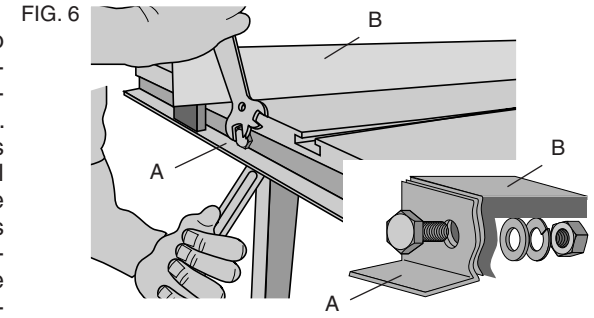
1. Asegure cada tornillo a través del agujero superior en las abrazaderas del riel central (CC), manteniendo la arandela plana, arandela de seguridad y tuerca en el interior del banco (B).
2. Apriételos, pero no demasiado ajustados. Apriete las tuercas de la abrazadera del riel central, dejando las otras tuercas apretadas sólo con los dedos.



SUJETE EL RIEL TRASERO A LA PARTE SUPERIOR DEL BANCO (FIG. 6)

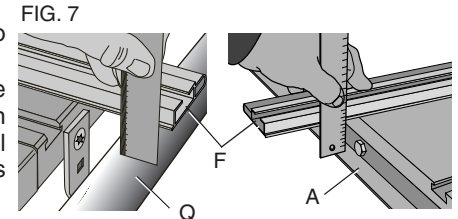
Necesitará: 2 pernos hexagonales de 10 x 35 mm
2 arandelas planas de 10 mm
2 arandelas de seguridad de 10 mm
2 tuercas de 10 mm

1. Asegure el riel guía trasero (A) a la parte superior del banco (B) usando los pernos hexagonales, arandelas, arandelas de seguridad y tuercas. Mantenga las arandelas y las tuercas en el interior del banco. El lado plano debe estar hacia abajo a menos que usted también esté instalando un accesorio (consulte las instrucciones del accesorio para obtener detalles sobre la instalación sobre el riel). Asegúrese de que los extremos del riel trasero estén alineados con los extremos del riel delantero.
2. Apriételos, pero no demasiado ajustados.



COLOCACIÓN DE LOS RIELES PARALELOS A LA PARTE SUPERIOR DEL BANCO (FIG. 7)

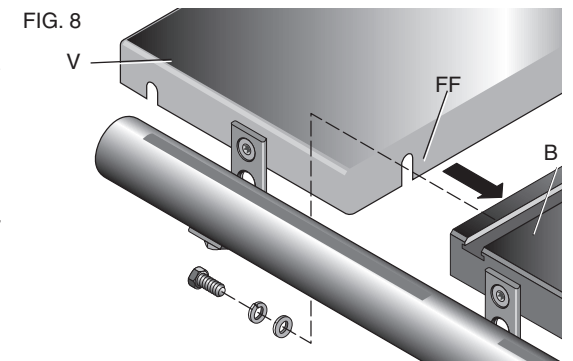
1. Use la cara de la guía (F) para extender la superficie del banco sobre el riel delantero de la guía (Q).
2. Use una regla para medir la distancia entre la parte superior del banco y el riel en ambos extremos de la parte superior del banco. La distancia debe ser igual en ambos extremos.
3. Si se necesita ajustarla, afloje levemente los tornillos de montaje y dele un golpecito a las abrazaderas del riel con un martillo suave o un martillo normal y un trozo de madera hasta que las distancias sean iguales.
4. Apriete los sujetadores hasta que estén bien fijos.
5. Repita el procedimiento para el riel de guía trasero (A).



SUJETE LOS BANCOS AUXILIARES A LOS COSTADOS DERECHO E IZQUIERDO (FIG. 8)

Necesitará: 6 pernos hexagonales de 10 x 25 mm
6 arandelas planas de 10 mm
6 arandelas de seguridad de 10 mm

1. Instale los tres pernos, arandelas planas y arandelas de seguridad en los agujeros en el lado de la parte superior del banco (B) como se muestra. Mantenga un espacio de 6,4 mm (1/4") entre la parte superior del banco y las cabezas de los pernos.
2. Deslice el banco auxiliar de costado (V) sobre los pernos, encajando sobre las muescas (FF). Apriete las tuercas.



- Use la cara de la guía como una guía para alinear el banco auxiliar con el borde del banco principal, y apriete el perno delantero de manera ajustada. Repita este procedimiento para el perno trasero. Apriete el perno central.
- Repítalo en el otro lado.

SUJETE LOS RIELES DELANTERO Y TRASERO A LOS BANCOS AUXILIARES (FIG. 9)

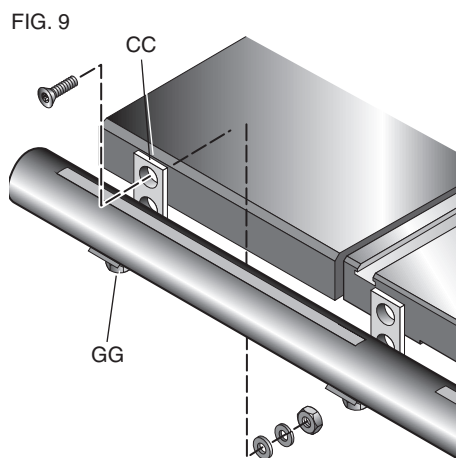
Para el riel delantero necesitará:

- 2 tornillos planos de 10 x 30 mm
- 2 arandelas planas de 10 mm
- 2 arandelas de seguridad de 10 mm
- 2 tuercas de 10 mm

Para el riel trasero necesitará:

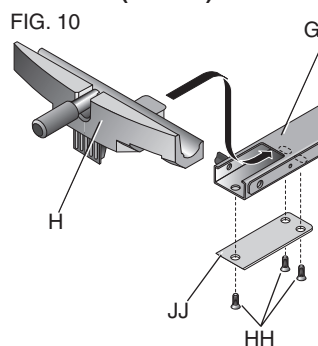
- 2 pernos hexagonales de 10 x 25 mm
- 2 arandelas planas de 10 mm
- 2 arandelas de seguridad de 10 mm
- 2 tuercas de 10 mm

- Alinee las abrazaderas del riel delantero (CC) con el banco auxiliar de costado (V), y apriete las tuercas de la abrazadera (GG) al riel.
- Sujete el banco auxiliar a las abrazaderas exteriores del riel delantero con los tornillos, arandelas planas, arandelas de seguridad y tuercas. Mantenga las arandelas y la tuerca en el interior del banco.
- Sujete el banco auxiliar a los rieles exteriores traseros con los pernos, arandelas planas, arandelas de seguridad y tuercas. Mantenga las arandelas y la tuerca en el interior del banco.
- Usando la cara de la guía como un borde recto, asegúrese de que el banco auxiliar está nivelado con o levemente más bajo que la parte superior del banco. Ajustelo si es necesario y apriete todos los sujetadores.
- Repita este procedimiento para el otro banco auxiliar.



ENSAMBLE LA BARRA DE LA GUÍA A LA CABEZA DE LA GUÍA (FIG. 10)

- Retire los tres tornillos planos (HH), asegurando el cubrejuntas (JJ) a la barra de la guía con la llave Torx T50.
- Voltee la guía de corte longitudinal (G) hacia abajo. Deslice la barra de la guía (H) hacia la guía de corte como se muestra.
- Dele la vuelta a la barra de la guía e instale el cubrejuntas y los tres tornillos. Apriételos, pero no demasiado ajustados.

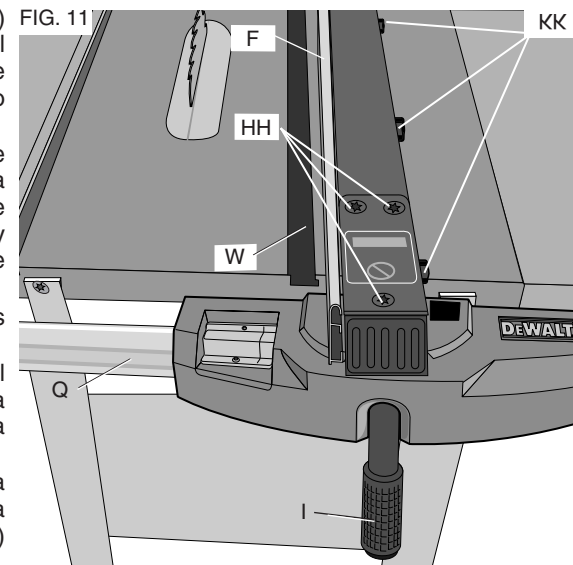


AJUSTE LA GUÍA A LA PARTE SUPERIOR DEL BANCO (FIG. 11)

IMPORTANTE: verifique la alineación de la barra y la cara de la guía antes de cada sesión de corte.

ALINEE LA GUÍA DE CORTE LONGITUDINAL

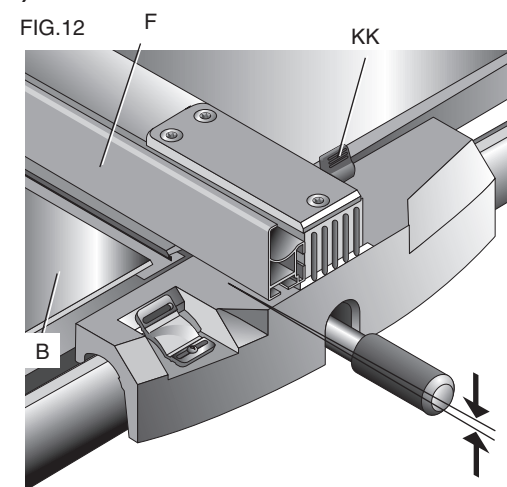
- Coloque la cara de la guía (F) en el riel delantero (Q) y riel trasero (A) cerca a la ranura de inglete (W) en el lado derecho del banco.
- Afloje las tres perillas de bloqueo (KK). Permita que la cara de la guía se apoye sobre la parte superior del banco, y luego apriete las perillas de bloqueo (KK).
- Afloje los tres tornillos levemente (HH).
- Deslice la guía y ajuste el ángulo de la barra hasta que la cara de la guía esté alineada con la ranura de inglete (W).
- Bloquee la barra de la guía (H) en su lugar, empujando la palanca de bloqueo de riel (I) hacia abajo.
- Apriete las perillas de bloqueo (KK), comenzando con las dos que están más atrás.



AJUSTE LA CARA DE LA GUÍA (FIG. 12)

- Afloje las perillas de bloqueo (KK).
- Coloque la cara de la guía (F) para que sobresalga de la parte superior del banco (B) aproximadamente 1,6 mm (1/16").
- Si lo desea, ajuste la cara de la guía hacia delante o hacia atrás.
- Ajuste las perillas de bloqueo (KK).

NOTA: para piezas de trabajo muy delgadas, la cara de la guía se puede ajustar para que se apoye sobre la parte superior del banco. Asegúrese de colocar la cara de la guía para que sobresalga de la parte superior del banco aproximadamente 1,6 mm (1/16") antes de mover la guía.



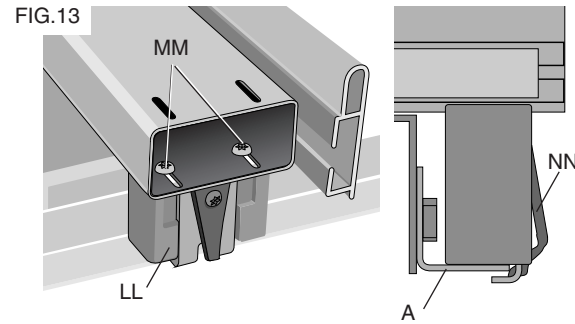
AJUSTE EL DESLIZAMIENTO DE LA GUÍA TRASERA (FIG. 13)

1. Deslice la guía de corte longitudinal (G) hacia adelante y hacia atrás para verificar si se desliza libremente sobre los rieles.
2. Bloquee la guía de corte en su lugar usando la palanca de bloqueo de riel (I).

Si hay demasiado movimiento hacia arriba/abajo en la parte trasera de la guía cuando se bloquea, se necesita ajustar la abrazadera de la guía trasera (LL).

Para ajustar:

1. Afloje los tornillos (MM).
2. Coloque el gancho de contención (NN) para ejercer presión leve sobre el riel trasero (A).
3. Apriete los tornillos.
4. Asegúrese de que la guía aún se mueve con facilidad. De lo contrario el gancho de contención (NN) está ejerciendo demasiada presión sobre el riel trasero (A).

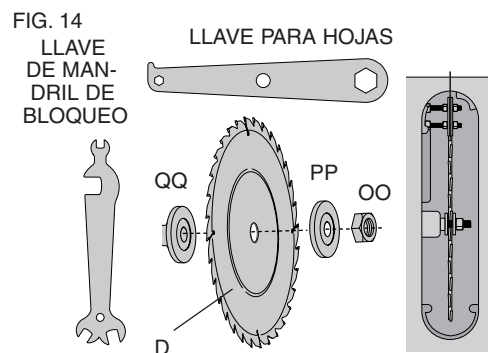


PARA INSTALAR LA HOJA DE LA SIERRA (FIG. 14)

⚠ADVERTENCIA: Use **SÓLO** hojas de 254 mm (10") de diámetro con agujeros de eje de 16 mm (5/8"), clasificadas para 3600 RPM o más.

⚠ADVERTENCIA: Para reducir el riesgo de lesiones: Use guantes cuando manipule las hojas de la sierra.

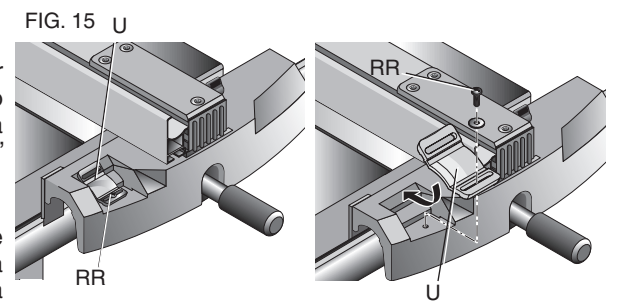
1. Ajuste el eje de la hoja en la posición más alta usando la rueda de ajuste de la altura de la hoja (M).
2. Retire la tuerca (OO) y la arandela exterior de la abrazadera (PP).
3. Coloque la hoja (D) sobre el eje con los dientes apuntando hacia la parte delantera de la sierra.
4. Vuelva a montar la arandela exterior de la abrazadera (PP) y la tuerca (OO) como se muestra. Asegúrese de que la hoja de la sierra está alineada sobre el centro de la arandela exterior de la abrazadera (QQ).
- 5 Use la llave de mandril de bloqueo y la llave para hojas para apretar la tuerca.



NOTA: Si la tuerca se cae adentro de la sierra, retírela con cuidado a través del colector de polvo.

AJUSTE EL INDICADOR DE LA ESCALA DE LA GUÍA (FIG. 15).

1. Deslice la guía hasta que apenas esté tocando la hoja.
2. Afloje el tornillo indicador de la guía (RR) y deslícelo hasta que la línea delgada esté alineada con la línea "0" en la escala.
3. Ajuste el tornillo.
4. Si se usa un accesorio de bajo perfil para la cara de la guía o una cara de la guía casera más ancha que se encuentra fuera de los límites de ajuste del indicador, se puede retirar por completo el indicador (U), voltear 180 grados, volver a instalar y alinear con la línea "0".

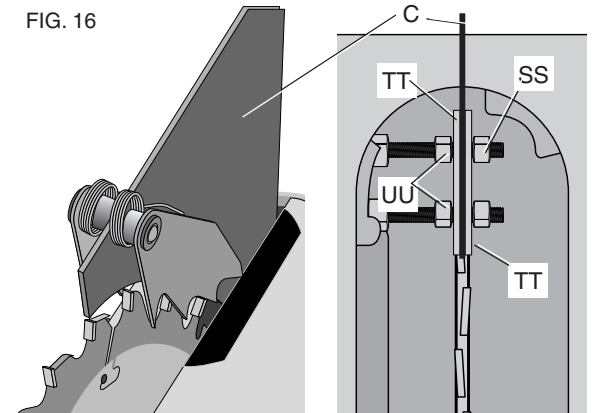


INSTALAR EL CONJUNTO DE HENDEDOR Y PROTECTOR (Fig. 16)

⚠PRECAUCIÓN: Para evitar que la pieza de trabajo se enganche, la pieza intercalada del banco debe estar al ras o ligeramente por debajo de la superficie de la parte superior del banco y sostenida en su lugar. La parte posterior de la placa para ranuras debe estar al ras o ligeramente por encima de la parte superior del banco. Consulte la sección **Instalación y ajuste de la placa para ranuras**.

⚠PRECAUCIÓN: Al instalar la placa para ranuras, siempre asegúrese de sujetar el protector de la hoja. El inserto liberará automáticamente la acción dilatoria del hendedor y bajará el protector de la hoja cuando se instale en la apertura de la mesa.

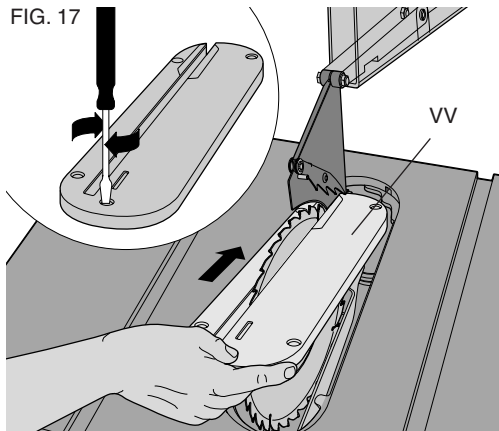
1. Suba la hoja hasta el punto más alto.
2. Afloje las tuercas de contención exteriores del protector (SS) lo suficientemente para que el hendedor (C) encaje entre las dos placas de contención del protector (TT).
3. Instale el hendedor (C).
4. Usando un borde recto, asegúrese que el hendedor está alineado correctamente con la hoja. Si no es así, se puede ajustar la posición moviendo las tuercas interiores de la abrazadera del protector (UU) para cambiar la ubicación del hendedor. Asegúrese de que hay espacio entre el hendedor y la hoja, y que se puede girar libremente la hoja. Si el hendedor está inclinado en relación con la hoja, se puede doblar la placa del hendedor hasta que se alinee correctamente. **¡IMPORTANTE!** EL PROTECTOR DE LA HOJA DEBE ESTAR INSTALADO PARA REALIZAR TODOS LOS CORTES POSIBLES. Cuando se hagan cortes que no perforen completamente, se puede retirar fácilmente el protector al aflojar ligeramente las tuercas exteriores del protector (SS). Se puede reinstalar fácilmente el protector sin tener que volver a ajustar las tuercas interiores.



INSTALACIÓN Y AJUSTE DE LA PLACA PARA RANURAS (FIG. 17)

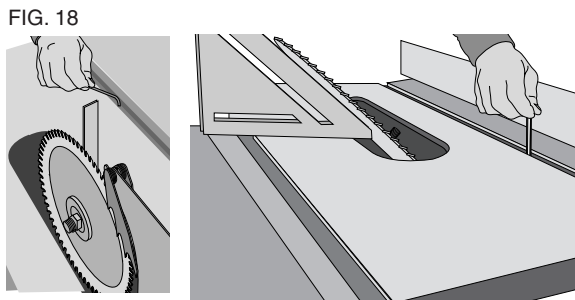
▲PRECAUCIÓN: Para reducir el riesgo de lesiones: La placa para ranuras debe estar en su sitio todo el tiempo.

1. Alinee la placa para ranuras (VV) como se muestra e introduzca las lengüetas de la parte trasera de la placa para ranura en los agujeros en la parte trasera del banco, y baje la placa hacia su abertura.
2. La placa para ranuras incluye cuatro tornillos de ajuste que la elevan y bajan. Cuando se ajustan correctamente, el frente de la placa para ranuras debe estar al ras o ligeramente por debajo de la superficie de la parte superior del banco, y la parte trasera de la placa para ranuras debe estar al ras o ligeramente por encima de la parte superior del banco. El tornillo central del frente, cuando se gira en el sentido de las agujas del reloj, va a engranarse con una leva bajo el borde delantero del banco, bloqueando la placa para ranuras en su sitio. Gire el tornillo 1/2 vuelta en sentido contrario de las agujas del reloj para retirar la placa para ranuras.

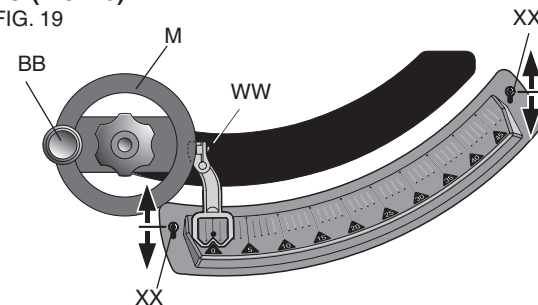
**AJUSTE LOS TOPES PARA BISELAR (FIG. 18)**

1. Usando una escuadra, ajuste la hoja a exactamente "0" grados. Si la hoja deja de biselar antes que llegue al 0, afloje el tornillo de ajuste de tope (ubicado en la ranura izquierda de guía de inglete) con la llave hexagonal de 5 mm, y luego siga hasta los "0" grados. Con la hoja ajustada al 0, gire despacio el tornillo del tope cero hasta que sienta que hay resistencia. Bisele la hoja en sentido contrario del 0 un poco y luego de vuelta al tope.
2. Vuelva a medir el ángulo y repita el ajuste del tope lo necesario hasta que la hoja se detenga en 0 grados.
3. Ajuste el tope de 45 de la misma manera. El tornillo de ajuste de tope para el tope de 45° está ubicado en la ranura derecha de guía de inglete.

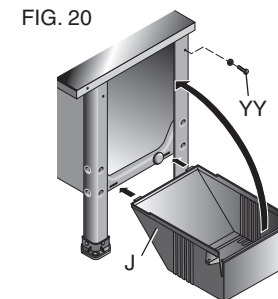
Para algunos cortes especiales, los topes se pueden retirar, y la sierra biselará entre -2 grados y 47 grados.

**AJUSTE LA ESCALA DE BISELADO (FIG. 19).**

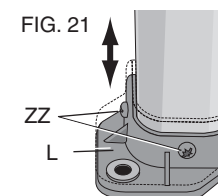
1. Bisele la sierra hasta que llegue al tope cero de biselado.
2. Retire la perilla de bloqueo (BB) y la rueda de ajuste de la altura de la hoja (M).
3. Ajuste el indicador rojo aflojando el tornillo (WW) donde se sostiene en el mango, mueva el indicador hasta que esté alineado con la línea 0 en la escala, y vuelva a apretar el tornillo. El indicador debe colocarse apenas afuera de la superficie de la escala.
4. Bisele la sierra hasta el tope de 45°. Si el indicador no está apuntando a 45°, afloje los dos tornillos (XX) que sostienen la escala al panel delantero de la sierra y deslice la escala hacia arriba o hacia abajo hasta que el indicador esté alineado con la línea de 45. Vuelva a apretar los tornillos de la escala.
5. Reemplace la rueda de ajuste de la altura de la hoja y la perilla de bloqueo.

**INSTALE LA CUBIERTA DEL MOTOR (FIG. 20)**

1. Retire los dos tornillos y abrazaderas de la cubierta (YY) de la parte de arriba de las dos patas laterales con un destornillador de cabeza plana.
2. Encaje las dos lengüetas de abajo de la cubierta (J) en las ranuras en la barra inferior transversal derecha.
3. Ponga la cubierta en posición y vuelva a instalar los tornillos y arandelas.

**NIVELE LA SIERRA (FIG. 21)**

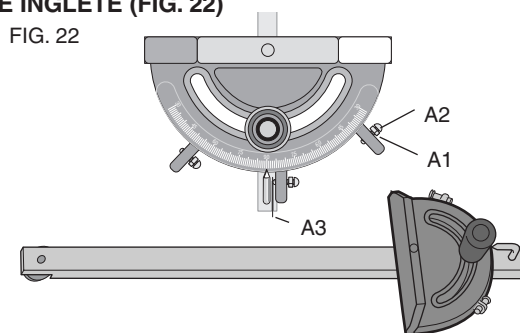
1. Coloque la sierra en el lugar donde se va a usar.
 2. Si la sierra se mece sobre el suelo, se puede bajar el pie que no está tocando el piso para compensar un suelo desnivelado.
 - a. Afloje los dos tornillos (ZZ) que sostienen el pie (L) a la pata. Deje que el pie caiga hasta la superficie del piso.
 - b. Vuelva a apretar los tornillos que sostienen el pie a la pata.
- Si su sierra va a tener una ubicación permanente, le recomendamos que atornille los pies en el piso usando los agujeros que se proporcionan.

**AJUSTE Y USE EL CALIBRADOR DE INGLETE (FIG. 22)**

Su calibrador de inglete tiene topes ajustables a 45° y 90° a la derecha y a la izquierda.

Para ajustar estos topes:

- a. Afloje las tuercas de bloqueo (A1) y apriete o afloje los tres tornillos de ajuste (A2).
- b. Verifique el calibrador usando una escuadra contra la hoja y apriete los tres tornillos de ajuste.



- c. Para ajustar el calibrador de inglete más allá de los topes de 45 grados, dé vuelta a la placa de topes (A3) y continúe hasta el ángulo requerido.

LIMPIE LA PARTE SUPERIOR DEL BANCO

Su sierra se envía con un recubrimiento preventivo de óxido el cual debe quitarse. Limpie la parte superior con esencia mineral u alcohol desnaturalizado y aplique cera en pasta. Aplíquela y remuévala pronto para evitar que se produzca una acumulación pegajosa de material.

Funcionamiento de la guía de corte longitudinal

PALANCA DE BLOQUEO DE RIEL (FIG. 23)

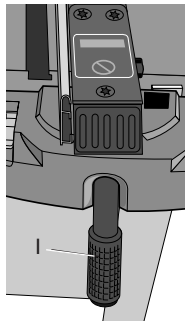
La palanca de bloqueo de riel (I) traba la guía en el lugar para evitar el movimiento durante el corte. **Para trabar la palanca de bloqueo de riel**, empújela hacia abajo y hacia la parte trasera de la sierra. **Para desbloquearla**, empújela hacia arriba y hacia la parte frontal de la sierra.

NOTA: cuando realice cortes longitudinales, trabe siempre la palanca de bloqueo de riel.

INDICADOR DE LA ESCALA DE CORTE

NOTA: el indicador de la escala de corte debe reajustarse cada vez que se instale una hoja más gruesa o más angosta. Si usted decide usar una cara más ancha, o el accesorio de cara baja de guía de DEWALT, se puede retirar y voltear 180° el indicador de la escala para alinearlo con la misma. Consulte la sección **Ajuste el indicador de la escala de la guía bajo Ensamblaje**.

FIG. 23



CAPACIDAD DE LA GUÍA DE CORTE LONGITUDINAL

La guía de corte longitudinal se deslizará más allá del extremo de los rieles en cualquier dirección sin caerse. Se proporcionan topes para mantener la guía sujeta.

Interruptor de encendido/apagado (Fig. 24)

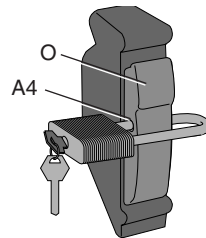
ADVERTENCIA: Para reducir el riesgo de lesiones personales, antes de enchufar la máquina, asegúrese de que el interruptor está en la posición OFF (de apagado).

Para encender la sierra, levante la paleta del interruptor de encendido/apagado (ON/ OFF) (O) hacia arriba, y para apagar la sierra presione la paleta hacia abajo (OFF).

El interruptor posee un orificio (A4) en el que se puede introducir un candado con vástago desmontable para poder bloquear el interruptor en la posición de apagado.

NOTA: un candado convencional no encajará.

FIG. 24



Hojas para sierras

ADVERTENCIA: Use **SÓLO** hojas de 254 mm (10") de diámetro con agujeros de eje de 16 mm (5/8"), clasificadas para 3600 RPM o más.

1. La hoja de sierra proporcionada con su nueva sierra es una hoja fina de 254 mm (10") para cortes longitudinales, usada para cortar longitudinalmente (en sentido de la fibra) a través del material, y para cortes transversales ocasionales. El agujero central que encaja en el eje es de 16 mm (5/8") de diámetro (15,74 mm). Esta hoja proporcionará un corte de calidad para muchas de las aplicaciones.
2. Existen muchos tipos de hojas disponibles para realizar trabajos específicos y especiales como cortes transversales solamente, cortes longitudinales solamente, huecos, cortes en madera contrachapada fina, paneles, etc.

3. Utilice solamente hojas diseñadas para funcionar en forma segura a velocidades máximas de 5.000 RPM o mayores.
4. Las hojas para sierra siempre se deben conservar afiladas. Recomendamos que cuando necesite afilar las hojas, localice un centro de afilado acreditado.
5. Nunca apile las hojas una encima de otra al almacenarlas. Coloque material como cartón entre ellas para evitar que las hojas se toquen entre sí.

PRECAUCIÓN: no se deben usar ruedas abrasivas con esta sierra.

FUNCIONAMIENTO

ADVERTENCIA: Cada vez que use la sierra verifique que:

1. **SIEMPRE** utilice equipo de protección para los ojos, auditiva y respiratoria adecuado.
2. La hoja esté ajustada.
3. El ángulo del bisel y las perillas de bloqueo de altura estén ajustadas.
4. La palanca de bloqueo de la guía esté ajustada y la guía esté paralela a la hoja (en el caso de cortes longitudinales).
5. La perilla del calibrador de inglete esté ajustada (en el caso de cortes transversales).
6. El protector de la hoja esté ajustado adecuadamente y que los dientes antirretroceso funcionen.
7. **CONTROLE SIEMPRE** que el conjunto protector de la hoja y hendedor esté correctamente alineado y a la distancia apropiada de la hoja.

El incumplimiento de estas normas de seguridad básicas, puede aumentar las posibilidades de lesiones.

ADVERTENCIA: Para reducir el riesgo de lesiones, apague la unidad y desconéctela de la fuente de alimentación antes de instalar o retirar accesorios, ajustar o cambiar configuraciones o realizar reparaciones. Un arranque accidental podría causar lesiones.

ADVERTENCIA: Antes de conectar la sierra de banco a la fuente de alimentación u operar la sierra, controle siempre que el conjunto protector de la hoja y hendedor estén correctamente alineados y a la distancia apropiada de la hoja. Puede causar lesiones personales.

PRECAUCIÓN: Si su sierra hace ruidos desconocidos o si vibra demasiado, cese el funcionamiento de inmediato hasta localizar la fuente del problema y solucionarlo.

PRECAUCIÓN: La placa para ranuras adecuada debe estar instalada en todo momento para reducir el riesgo de que una pieza de trabajo salga despedida y ocasione lesiones personales.

ESTA SIERRA NO ESTÁ DISEÑADA PARA CORTAR METAL.

Corte

ADVERTENCIA: Para reducir el riesgo de lesiones, apague la unidad y desconéctela de la fuente de alimentación antes de instalar o retirar accesorios, ajustar o cambiar configuraciones o realizar reparaciones. Un arranque accidental podría causar lesiones.

ADVERTENCIA: Antes de conectar la sierra de banco a la fuente de alimentación u operar la sierra, controle siempre que el conjunto protector de la hoja y hendedor estén correctamente alineados y a la distancia apropiada de la hoja. Puede causar lesiones personales.

Existen dos tipos básicos de corte: *corte longitudinal* y *corte transversal*. Por lo general, el cortar con la fibra es un corte longitudinal y el cortar atravesando la fibra es un corte transversal. Sin embargo, con materiales sintéticos es un poco difícil hacer esta distinción. Por consiguiente, cortar un pedazo de madera a un ancho diferente es un corte longitudinal, y cortar a través de la dimensión más corta es un corte transversal. **¡Ni el corte longitudinal ni el corte transversal se pueden realizar a pulso sin peligro!** Los cortes longitudinales requieren el uso de una guía de corte longitudinal, y los cortes transversales usan el calibrador de inglete.

Corte longitudinal

⚠ADVERTENCIA: Para reducir el riesgo de lesiones, apague la unidad y desconéctela de la fuente de alimentación antes de instalar o retirar accesorios, ajustar o cambiar configuraciones o realizar reparaciones. Un arranque accidental podría causar lesiones.

⚠ADVERTENCIA: Nunca toque el “extremo libre” de la pieza de trabajo o una “pieza libre” cortada mientras la herramienta está encendida y/o la hoja está rotando. La pieza puede entrar en contacto con la hoja y ser despedida, lo que puede ocasionar una lesión.

⚠ADVERTENCIA: Mantenga el protector de la hoja, el hendedor y los dientes antirretroceso instalados y funcionando correctamente. Mantenga los dientes afilados. Si los dientes no están en condiciones operativas, devuelva la unidad al centro de mantenimiento autorizado DEWALT más cercano para su reparación. El hendedor debe estar alineado con la hoja y los dientes deben detener un retroceso una vez que ha comenzado. Para controlar la acción de los dientes antirretroceso, antes de realizar cortes longitudinales, empuje la madera debajo de éstos. Los dientes deben evitar que la madera salga despedida hacia el frente de la sierra.

⚠ADVERTENCIA: Siempre **SE DEBE USAR** una guía de corte longitudinal al realizar cortes longitudinales para evitar la pérdida de control y lesiones personales. **NUNCA** realice operaciones de corte longitudinal a pulso. **AJUSTE SIEMPRE** la guía al riel.

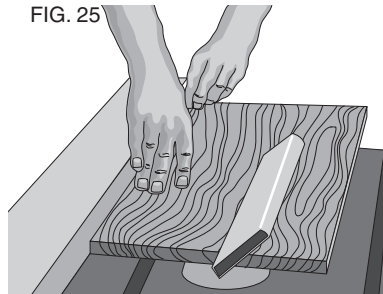
⚠ADVERTENCIA: Cuando realice cortes longitudinales en bisel o siempre que sea posible, coloque la guía del lado de la hoja de manera que la hoja se incline alejándose de la guía y de sus manos. Mantenga sus manos alejadas de la hoja y use una vara de empuje para alimentar la pieza de trabajo si existe una distancia menor que 152 mm (6") entre la guía y la hoja.

1. Empuje hacia abajo la palanca de bloqueo de riel y trabe la guía de corte longitudinal. Retire el calibrador de inglete.
2. Levante la hoja de manera que quede 3,2 mm (1/8") más arriba que la parte superior de la pieza de trabajo.
3. Coloque la pieza de trabajo en forma horizontal sobre el banco y contra la guía. Mantenga la pieza de trabajo aproximadamente a 25,4 mm (1") de la hoja.

⚠PRECAUCIÓN: La pieza de trabajo debe tener un borde recto contra la guía, y no debe estar torcida, deformada o curvada. Mantenga ambas manos alejadas de la hoja y del recorrido de la hoja.

4. Encienda la sierra y deje que la hoja adquiera velocidad. Para iniciar el corte se pueden usar las dos manos. Cuando queden aproximadamente 305 mm (12") por cortar longitudinalmente, use una sola mano. Sostenga el material con el índice y el dedo mayor, empuje el material con el pulgar y enganche los dedos restantes sobre la guía. Mantenga siempre su pulgar junto a los dos dedos siguientes y cerca de la guía.
5. Con la pieza de trabajo contra el banco y la guía, alimente la pieza de trabajo hacia atrás, todo el recorrido de la hoja. Continúe empujando la pieza de trabajo hasta que pase el protector y caiga por la parte posterior del banco. No sobrecargue el motor.
6. **NUNCA** intente halar la pieza de trabajo hacia atrás mientras la hoja está girando. Apague el interruptor, espere que la hoja se detenga, levante los dientes antirretroceso a cada lado del hendedor de ser necesario y deslice hacia afuera la pieza de trabajo.
7. Cuando corte una pieza de trabajo grande o un panel, utilice siempre un soporte de trabajo. Los caballetes de aserrar, los rodillos o los montajes de alimentación externa proporcionan soporte adecuado para este propósito. **El soporte de trabajo debe ser de la misma altura que la sierra de banco.**

FIG. 25



Cortes longitudinales en bisel

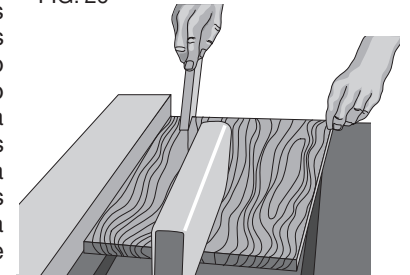
Esta operación es la misma que la de corte longitudinal, excepto que el bisel se configura en un ángulo distinto de 0°.

⚠ADVERTENCIA: Antes de conectar la sierra de banco a la fuente de alimentación u operar la sierra, controle siempre que el conjunto protector de la hoja y hendedor esté correctamente alineado y a la distancia apropiada de la hoja. Verifique la alineación después de cada cambio de ángulo de bisel.

Cortes longitudinales de piezas pequeñas

Realizar cortes longitudinales en piezas pequeñas no es seguro. No es seguro que coloque las manos cerca de la hoja. En cambio, corte una pieza más grande para obtener la pieza deseada. Cuando necesite cortar una profundidad más pequeña y no puede colocar la mano en forma segura entre la hoja y la guía de corte longitudinal, use una o más varas de empuje. Se incluye un patrón en el interior de la contraportada para hacer varas de empuje. Úselas para sostener la pieza de trabajo contra el banco y la guía, y empuje la pieza de trabajo completamente más allá de la hoja.

FIG. 26



Cortes transversales

⚠ADVERTENCIA: Para reducir el riesgo de lesiones, apague la unidad y desconéctela de la fuente de alimentación antes de instalar o retirar accesorios, ajustar o cambiar configuraciones o realizar reparaciones. Un arranque accidental podría causar lesiones.

⚠ADVERTENCIA: **NUNCA** toque el “extremo libre” de la pieza de trabajo o una “pieza libre” cortada mientras la herramienta está encendida y/o la hoja está rotando. La pieza puede entrar en contacto con la hoja y ser despedida, lo que puede ocasionar una lesión.

⚠ADVERTENCIA: Para reducir el riesgo de lesiones, **NUNCA** use la guía de corte longitudinal como guía o tope longitudinal cuando realice cortes transversales.

⚠ADVERTENCIA: **NUNCA** use un tope longitudinal en el extremo libre de la pieza de trabajo cuando realice cortes transversales. En resumen, la pieza cortada durante un corte pasante (corte en el que la pieza de trabajo se secciona por completo) nunca debe ser restringida. Por el contrario, debe permitir que se mueva lejos de la hoja de la sierra para evitar que entre en contacto con ésta y sea despedida, lo que puede causar lesiones.

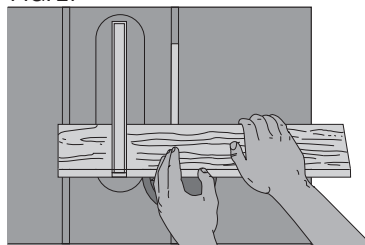
⚠ADVERTENCIA: Tenga cuidado cuando comience el corte para evitar el atascamiento del protector contra la pieza de trabajo, lo que puede ocasionar daños a la hoja y posibles lesiones.

⚠PRECAUCIÓN: Cuando use un bloque como calibrador de corte, el espesor del bloque debe ser como mínimo de 19 mm (3/4") y es muy importante que el extremo posterior del bloque se coloque de manera que no obstruya la pieza de trabajo antes de que ésta entre en contacto con la hoja para evitar el contacto del bloque con la hoja, lo que puede ocasionar la expulsión de la pieza de trabajo y posibles lesiones.

1. Retire la guía de corte longitudinal y coloque el calibrador de inglete en la ranura deseada.

- Ajuste la altura de la hoja de modo que esté 3,2 mm (1/8") más alta que la parte superior de la pieza de trabajo.
- Sostenga la pieza de trabajo con firmeza contra el calibrador de inglete, con el recorrido de la hoja alineado con la ubicación deseada. Mantenga la pieza de trabajo aproximadamente a 25 mm (una pulgada) de distancia enfrente de la hoja. **MANTENGA AMBAS MANOS EN EL CALIBRADOR DE INGLETE, ALEJADAS DE LA HOJA Y DEL RECORRIDO DE LA HOJA.**
- Arranque el motor de la sierra y deje que la hoja alcance velocidad.
- Mientras usa las dos manos para sostener la pieza de trabajo contra la guía y el calibrador de inglete y en forma horizontal contra el banco, empújela lentamente a través de la hoja.
- NUNCA** intente halar la pieza de trabajo hacia atrás mientras la hoja está girando. Apague el interruptor, espere que la hoja se detenga y deslice con cuidado la pieza de trabajo hacia afuera.

FIG. 27



Cortes transversales en bisel

Esta operación es la misma que la de corte transversal, excepto que el bisel se configura en un ángulo distinto de 0°. Para saber la posición correcta de las manos, consulte la Figura 28.

⚠ADVERTENCIA: Para reducir el riesgo de lesiones, apague la unidad y desconéctela de la fuente de alimentación antes de instalar o retirar accesorios, ajustar o cambiar configuraciones o realizar reparaciones. Un arranque accidental podría causar lesiones.

⚠ADVERTENCIA: Tenga cuidado cuando comience el corte para evitar que se atasque el protector contra la pieza de trabajo, lo que puede ocasionar daños a la hoja y posibles lesiones.

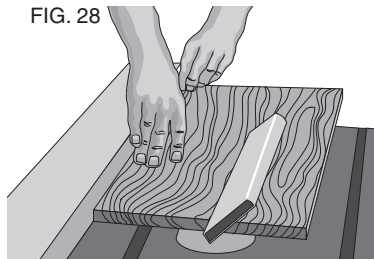
⚠ADVERTENCIA: Antes de conectar la sierra de banco a la fuente de alimentación u operar la sierra, controle siempre que el conjunto protector de la hoja y hendedor esté correctamente alineado y a la distancia apropiada de la hoja. Verifique la alineación después de cada cambio de ángulo de bisel.

Cortes a inglete

⚠ADVERTENCIA: Los ángulos de inglete mayores de 45° pueden forzar el protector hacia la hoja y causar daños al protector o lesiones personales. Antes de encender el motor, verifique la operación introduciendo la pieza de trabajo en el protector. Si el protector toca la hoja, coloque la pieza de trabajo debajo del protector, evitando que toque la hoja, antes de encender el motor.

⚠PRECAUCIÓN: Es posible que debido a su forma, ciertas piezas de trabajo, como las molduras, no levanten el protector adecuadamente. Cuando empieza el corte, introduzca la pieza de trabajo lentamente. Si el protector toca la hoja, coloque la pieza de trabajo debajo del protector, evitando que toque la hoja, antes de encender el motor.

FIG. 28

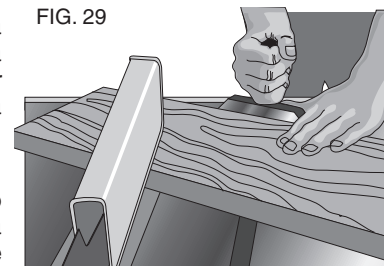


Esta operación es la misma que la de corte transversal, excepto que el calibre de inglete está bloqueado en un ángulo distinto de 0°. Sostenga la pieza de trabajo FIRMEMENTE contra el calibrador de inglete e introduzca dicha pieza lentamente en la hoja (para evitar que ésta se mueva).

OPERACIÓN DEL CALIBRADOR DE INGLETE

Para instalar su calibrador de inglete, afloje el mango de bloqueo y mueva el calibrador de inglete hasta alcanzar el ángulo deseado. El calibrador de inglete tiene topes a 45° y 90° a la izquierda y a la derecha. Para girar el calibrador de inglete más allá de estos topes, dé vuelta a la placa de topes.

FIG. 29



Cortes a inglete compuestos

Es una combinación de cortes a inglete y cortes transversales en bisel. Siga las instrucciones para los cortes transversales y los cortes a inglete compuestos.

Corte de ranuras

⚠ADVERTENCIA: Para reducir el riesgo de lesiones, apague la unidad y desconéctela de la fuente de alimentación antes de instalar o retirar accesorios, ajustar o cambiar configuraciones o realizar reparaciones. Un arranque accidental podría causar lesiones.

⚠ADVERTENCIA: Use varas de empuje, objetos para sostener, plantillas de guía, accesorios o rejillas para ayudarlo a controlar la pieza de trabajo cuando no se puede usar el protector, para prevenir lesiones.

⚠ADVERTENCIA: Para operaciones de corte que no perforen completamente, como cortes de ranuras y molduras, **DEBEN** retirarse el protector de la hoja y el montaje del hendedor. **SIEMPRE** devuelva y sujete el protector de la hoja y el montaje del hendedor a su ubicación correcta de funcionamiento para operaciones normales de corte de perforación completa.

⚠PRECAUCIÓN: **NO** intente apilar o ajustar hojas para corte de ranuras de un grosor mayor de 20 mm (13/16"). No use hojas para corte de ranuras de un diámetro mayor a 200 mm (8"). Verifique siempre el espacio que tiene la hoja para corte de ranuras antes de enchufar la sierra para prevenir daños a la sierra y lesiones.

Ya que los cortes de ranuras no son cortes que perforan completamente, estos cortes se deben hacer sin el protector de la hoja. Para retirar el protector de la hoja, afloje los dos pernos (SS) que se muestran en la Figura 16 y retire el montaje del protector.

Cuando se requiere un corte que sea considerablemente más ancho que el corte de la sierra, se usa un corte de ranuras. Cuando se usa el corte de ranuras, se debe usar una pieza intercalada especial para cortes de ranuras (esta pieza también se vende como accesorio). Cuando se instale el juego de hojas para cortes de ranura, puede ser necesario eliminar la arandela exterior de la abrazadera para obtener suficiente rosca y sostener el juego de hojas de manera segura.

Un corte de ranuras se usa comúnmente para añadir apoyo y alinear un estante para un gabinete, estantería o proyecto similar. Cuando se use el corte de ranuras, se debe retirar el protector. Tenga SUMO cuidado cuando use el corte de ranuras sin el protector. Si se requiere un corte profundo, páselo varias veces en vez de intentar hacerlo con un solo paso. El ancho máximo de un corte de ranuras con esta sierra es 20 mm (13/16"). **NO USE COMBINACIONES MÁS ANCHAS.**

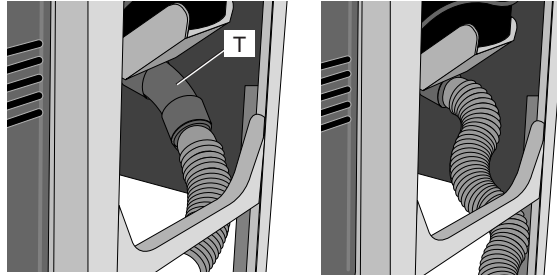
Cuando corte con una hoja para cortes de ranuras, use el colector de polvo para evitar que se apilen montones pesados de polvo bajo la sierra y en la entrada del ventilador del motor. Limpie estas áreas con frecuencia.

Colector de polvo

Su sierra de banco está equipada con una cubierta para polvo y un colector de polvo. Para obtener mejores resultados, conecte una aspiradora al colector (T) en la parte posterior de la sierra.

Si la sierra se opera sin tener una aspiradora conectada, la mayoría del polvo volará fuera del colector de polvo. Luego del uso prolongado, se puede obstruir el sistema de recolección de polvo de la sierra.

FIG. 30



PARA LIMPIAR EL SISTEMA DE RECOLECCIÓN DE POLVO:

- Desenchufe la sierra.
- Use una varita para pintura o un destornillador largo para aflojar los desechos y recortes y pasarlos hacia afuera a través del colector.

Cada vez que corte madera mojada sin una aspiradora, haga cortes largos y estrechos o corte con una hoja de corte de ranuras, limpie el colector de polvo. Si ve que el colector se atasca con frecuencia, se puede retirar el codo del colector del polvo aflojando los dos tornillos donde se une a la cubierta de polvo. Se puede conectar una manguera de recolección de polvo directamente a la cubierta, siempre y cuando la sierra no esté biselada a más de 35°.

MANTENIMIENTO

⚠ADVERTENCIA: Para reducir el riesgo de lesiones, apague la unidad y desconéctela de la fuente de alimentación antes de instalar o retirar accesorios, ajustar o cambiar configuraciones o realizar reparaciones. Un arranque accidental podría causar lesiones.

Limpieza

⚠ADVERTENCIA: Para limpiar la herramienta, sólo utilice jabón suave y un paño húmedo en las partes plásticas. Muchos limpiadores para uso doméstico pueden contener sustancias químicas que podrían dañar el plástico considerablemente. Tampoco utilice gasolina, aguarrás, barniz o solvente, líquidos para limpieza en seco o productos similares, que podrían dañar seriamente las piezas de plástico. Nunca permita que penetre líquido dentro de la herramienta ni sumerja ninguna de las piezas en un líquido.

BANCO

Proteja su inversión. Mantenga su sierra de banco limpia. Si nota señales de óxido, use lana de acero en las áreas, limpie con esencia mineral u alcohol desnaturalizado y aplique cera en pasta.

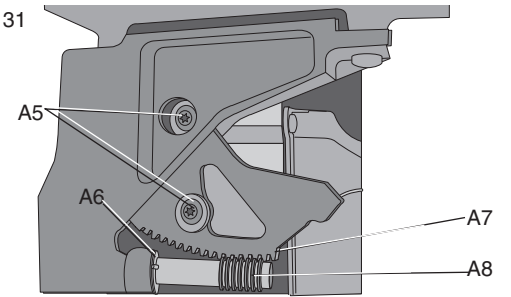
Con el tiempo, se puede necesitar reponer los lubricantes usados en el mecanismo de su sierra de banco.

RUEDAS DENTADAS DE ALTURA Y BISELADO (FIG. 31)

- Limpie el aserrín acumulado en las ruedas dentadas y los tornillos sin fin con un cepillo de cerdas duras.
- Remueva la brea o resina de las ruedas dentadas y los tornillos sin fin con un cepillo de cerdas duras. Puede que necesite usar un disolvente como esencia mineral para removerla.
- Vuelva a aplicar la grasa a los tornillos sin fin (A8), ruedas dentadas (A7) y el montaje de arandela/perno (A6). También puede aplicarle cera en pasta a las ruedas dentadas si ve que la grasa está atrayendo demasiado polvo.
- Si se ha producido un contragolpe en el sistema de biselado, puede reajustar el espacio de la rueda dentada de biselado. Para ajustar:
 - Afloje los dos tornillos (A5) que sujetan la rueda dentada al soporte, y permita que la rueda caiga en un engranaje más ajustado.
 - Apriete los tornillos ligeramente y gire el tornillo una vuelta completa para ajustar la altura de la rueda dentada. Apriete los tornillos de contención de la rueda dentada.

NOTA: se debe hacer este ajuste en el biselado de 0°.

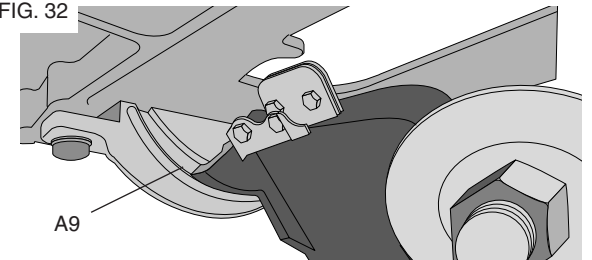
FIG. 31



PIVOTE DE BISELADO

También debe darse mantenimiento a los gorriones del pivote de biselado delanteros y traseros. Primero, límpielos de la misma manera que las ruedas dentadas. Luego, aplique grasa a las ranuras curvadas (A9) y bisele la sierra de un lado a otro para distribuir la grasa.

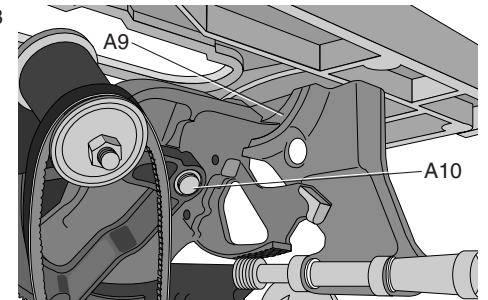
FIG. 32



PIVOTE DEL EJE

Puede ser que también necesite lubricar el perno del pivote del eje (A10). Esto puede hacerse aplicando un aceite ligero tanto en la base como en la parte de arriba del perno del pivote.

FIG. 33



Lubrique la cabeza de guía

Se deben engrasar periódicamente las partes móviles de la cabeza de guía. Esto incluye el área entre las levas y las palancas de bloqueo, y entre las levas y la fundición de la cabeza de guía.

Mantenimiento del sistema de guía

Su guía siempre debe deslizarse libremente. Si parece que se requiere demasiada fuerza para deslizarla o si se siente desigual, limpie los rieles y la superficie de deslice de la cabeza de guía con un trapo o toalla de papel. Verifique el movimiento nuevamente. Si todavía se siente desigual, limpie la cabeza de guía con un disolvente suave como alcohol desnaturalizado o esencia mineral. Recubra el riel con una capa gruesa de cera en pasta o un aceite ligero. Deslice la guía de lado a lado varias veces para recubrir la guía y el riel. Limpie cualquier exceso de cera o aceite del riel. Si el deslizador de la cabeza de guía se estropea (flechas, Figura 35), se desgasta o se daña, se puede reemplazar fácilmente. Consulte su Centro de Mantenimiento DEWALT para partes y asistencia.

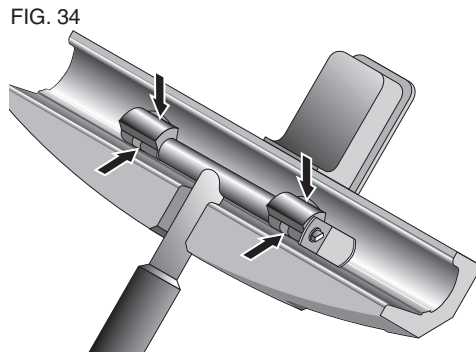
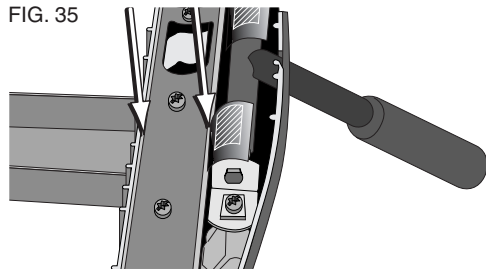


FIG. 34

FIG. 35



Accesorios

⚠ADVERTENCIA: Debido a que no se han probado con este producto otros accesorios que no sean los que ofrece DEWALT, el uso de dichos accesorios podría ser peligroso. Para reducir el riesgo de lesiones, con este producto deben usarse sólo los accesorios DEWALT recomendados.

Si necesita ayuda para localizar algún accesorio, póngase en contacto con DEWALT Industrial Tool Co., 701 East Joppa Road, Baltimore, MD 21286, llame al 1-800-4-DEWALT (1-800-433-9258) o visite nuestro sitio web www.dewalt.com.

DEWALT fabrica los siguientes accesorios para su sierra:

- Base móvil
- Banco de deslice y calibrador de primera calidad
- Aleta de hierro
- Banco de avance de salida
- Sistema de riel de 1,32 mm (52")
- Placa de dado para ranuras
- Aleta de acero
- Sistema de riel de 762 mm (30")
- Dispositivo de bajo perfil para el frente de la guía
- Calibrador de inglete mejorado

⚠ADVERTENCIA: Los accesorios montados en el eje deben estar clasificados para RPMs más altas que las que se muestran en la placa de la herramienta (no del motor). Puede resultar en la destrucción del accesorio y posiblemente en lesiones.

Reparaciones

Para garantizar la SEGURIDAD y la CONFIABILIDAD, las reparaciones, el mantenimiento y los ajustes (incluida la inspección y reemplazo de cepillos) deben ser realizados por un centro de mantenimiento de fábrica de DEWALT, un centro de mantenimiento DEWALT autorizado u otro personal de mantenimiento calificado. Utilice siempre piezas de repuesto idénticas.

PARA REPARACIÓN Y SERVICIO DE SUS HERRAMIENTAS ELÉCTRICAS, FAVOR DE DIRIGIRSE AL CENTRO DE SERVICIO MÁS CERCANO

CULIACAN, SIN

Av. Nicolás Bravo #1063 Sur - Col. Industrial Bravo

(667) 7 12 42 11

GUADALAJARA, JAL

Av. La Paz #1779 - Col. Americana Sector Juárez

(33) 3825 6978

MEXICO, D.F.

Eje Central Lázaro Cárdenas No. 18

Local D, Col. Obrera

(55) 5588 9377

MERIDA, YUC

Calle 63 #459-A - Col. Centro

(999) 928 5038

MONTERREY, N.L.

Av. Francisco I. Madero No.831 - Col. Centro

(81) 8375 2313

PUEBLA, PUE

17 Norte #205 - Col. Centro

(222) 246 3714

QUERETARO, QRO

Av. Madero 139 Pte. - Col. Centro

(442) 214 1660

SAN LUIS POTOSI, SLP

Av. Universidad 1525 - Col. San Luis

(444) 814 2383

TORREON, COAH

Blvd. Independencia, 96 Pte. - Col. Centro

(871) 716 5265

VERACRUZ, VER

Prolongación Díaz Mirón #4280 - Col. Remes

(229) 921 7016

VILLAHERMOSA, TAB

Constitución 516-A - Col. Centro

(993) 312 5111

PARA OTRAS LOCALIDADES LLAME AL: (55) 5326 7100

Póliza de Garantía

IDENTIFICACIÓN DEL PRODUCTO:

Sello o firma del Distribuidor.

Nombre del producto: _____ Mod./Cat.: _____

Marca: _____ Núm. de serie: _____

(Datos para ser llenados por el distribuidor)

Fecha de compra y/o entrega del producto: _____

Nombre y domicilio del distribuidor donde se adquirió el producto: _____

Este producto está garantizado por un año a partir de la fecha de entrega, contra cualquier defecto en su funcionamiento, así como en materiales y mano de obra empleados para su fabricación. Nuestra garantía incluye la reparación o reposición del producto y/o componentes sin cargo alguno para el cliente, incluyendo mano de obra, así como los gastos de transportación razonablemente erogados derivados del cumplimiento de este certificado.

Para hacer efectiva esta garantía deberá presentar su herramienta y esta póliza sellada por el establecimiento comercial donde se adquirió el producto, de no contar con ésta, bastará la factura de compra.

EXCEPCIONES.

Esta garantía no será válida en los siguientes casos:

- Cuando el producto se hubiese utilizado en condiciones distintas a las normales;
- Cuando el producto no hubiese sido operado de acuerdo con el instructivo de uso que se acompaña;
- Cuando el producto hubiese sido alterado o reparado por personas distintas a las enlistadas al final de este certificado.

Anexo encontrará una relación de sucursales de servicio de fábrica, centros de servicio autorizados y franquiciados en la República Mexicana, donde podrá hacer efectiva su garantía y adquirir partes, refacciones y accesorios originales.

Garantía limitada de tres años

DEWALT reparará sin cargo cualquier defecto ocasionado por materiales defectuosos o mano de obra, durante tres años a partir de la fecha de compra. Esta garantía no cubre fallas en las piezas que resulten del desgaste normal de la herramienta o de su utilización inadecuada. Para obtener información detallada sobre la cobertura de la garantía y sobre reparaciones, visite nuestra página Web www.dewalt.com o llame al 1-800-4-DEWALT (1-800-433-9258). Esta garantía no se extiende a los accesorios o a los daños causados por terceros al intentar realizar reparaciones. Esta garantía le concede derechos legales específicos; usted goza también de otros derechos que varían según el estado o provincia.

Además de la garantía, las herramientas DEWALT están cubiertas por nuestro:

SERVICIO GRATUITO DE 1 AÑO

DEWALT realiza el mantenimiento de la herramienta y reemplaza las piezas gastadas tras el uso normal, sin costo alguno, en cualquier momento durante el primer año después de la compra.

GARANTÍA DE REEMBOLSO DE DINERO DE 90 DÍAS

Si por alguna razón no estuviera plenamente satisfecho con el rendimiento de la herramienta eléctrica, el láser o la clavadora DEWALT, puede devolver el producto dentro de los 90 días siguientes a la fecha de compra acompañado del recibo. De esta manera, se le reintegrará el importe total del producto sin formularle pregunta alguna.

AMÉRICA LATINA: esta garantía no se aplica a los productos que se venden en América Latina. Para los productos que se venden en América Latina, debe consultar la información de la garantía específica del país que viene en el empaque, llamar a la compañía local o visitar el sitio Web a fin de obtener esa información.

REEMPLAZO GRATUITO DE LAS ETIQUETAS DE ADVERTENCIA: si sus etiquetas de advertencia se tornan ilegibles o faltan, llame al 1-800-4-DEWALT para que se las reemplacen gratuitamente.



• USE SAW BLADE GUARD AND SPLITTER FOR EVERY OPERATION WHICH IT CAN BE USED, INCLUDING ALL THROUGH SAWING.
• KEEP HANDS OUT OF THE LINE OF SAW BLADE.
• USE A PUSH-STICK WHEN REQUIRED.

⚠ DANGER PELIGRO
KEEP HANDS AWAY FROM BLADE
MANTENGASE ALEJADO DE LA HOJA DE SIERRA



DW746

BLADE 10", 250mm

NOTE: USE 120 VOLT, 15 AMP BRANCH CIRCUIT PROTECTED BY A CIRCUIT BREAKER OR 15 AMP HEAVY DUTY TIME DELAY FUSE MARKED "D".

⚠ WARNING

• FOR YOUR OWN SAFETY, READ INSTRUCTION MANUAL BEFORE OPERATING SAW. • ALWAYS WEAR EYE PROTECTION. • DO NOT WEAR GLOVES, NECKTIES, JEWELRY OR LOOSE CLOTHING. • CONTAIN LONG HAIR. • KEEP HANDS AND FINGERS OUT OF THE SAW BLADE PATH - USE EXTRA CAUTION WHEN BEVELING. • USE SAW-BLADE GUARD AND SPREADER FOR EVERY OPERATION FOR WHICH IT CAN BE USED, INCLUDING ALL THROUGH SAWING. • USE A "PUSH STICK" WHEN REQUIRED. • KNOW HOW TO AVOID KICKBACKS - SEE MANUAL. ALWAYS SUPPORT WORK WITH TABLE AND FENCE OR MITER GAGE. DO NOT PERFORM ANY OPERATION FREE HAND. • NEVER USE FENCE AND MITER GAGE TOGETHER. • NEVER REACH AROUND OR OVER SAW BLADE. • SECURELY MOUNT SAW BLADE BEFORE OPERATING. • NEVER REMOVE JAMMED OR CUT-OFF PIECES UNTIL POWER IS OFF AND BLADE HAS STOPPED. • DO NOT EXPOSE TO RAIN OR USE IN DAMP LOCATIONS. • DO NOT OPERATE THIS MACHINE WHILE UNDER THE INFLUENCE OF ALCOHOL OR DRUGS. • WHEN SERVICING USE ONLY IDENTICAL REPLACEMENT PARTS. • FAILURE TO COMPLY WITH THESE WARNINGS MAY RESULT IN SERIOUS PERSONAL INJURY.

PATENTS PENDING
SER. _____

AVERTISSEMENT: POUR S'ASSURER DU FONCTIONNEMENT SÛR, LIRE LE GUIDE D'UTILISATION. NE PAS EXPOSER À LA PLUIE NE PAS UTILISER DANS LES EMPLACEMENTS HUMIDES. SI CETTE MACHINE EST CONNECTÉE À UN CIRCUIT PROTÉGÉ PAR DES FUSIBLES, EMPLOYER DES FUSIBLES À ACTION DIFFÉRÉE MARQUÉS D.

DEWALT INDUSTRIAL TOOL CO., BALTIMORE, MD 21286 USA
FOR SERVICE INFORMATION, CALL 1-800-4-DEWALT
www.Dewalt.com

ESPECIFICACIONES

DW746

Tensión de alimentación:	120 V AC ~
Consumo de corriente:	15 A
Frecuencia de alimentación:	60 Hz
Potencia nominal:	2 160 W
Rotación sin carga:	3 000/min

IMPORTADOR: DEWALT S.A. DE C.V.
BOSQUES DE CIDROS ACCESO RADIATAS NO. 42
COL. BOSQUES DE LAS LOMAS, 3A. SECCIÓN, CP 05120
DELEGACIÓN CUAJIMALPA, MÉXICO, D.F.
TEL. 5 326 7100
R.F.C.: BDE810626-1W7

Para servicio y ventas consulte
"HERRAMIENTAS ELÉCTRICAS"
en la sección amarilla.



DetECCIÓN DE PROBLEMAS

LA SIERRA NO ENCIENDE	QUÉ HACER
1. La sierra no está enchufada.	1. Enchufe la sierra.
2. Fusible quemado o interruptor automático activado.	2. Reemplace el fusible o reinicie el interruptor automático.
3. Cable dañado.	3. Haga que el centro de mantenimiento autorizado cambie el cable.
LA SIERRA REALIZA CORTES NO SATISFACTORIOS	QUÉ HACER
1. Hoja desafilada.	1. Reemplace la hoja. Página 39.
2. Hoja montada al revés	2. Vire la hoja. Página 39.
3. Depósitos de goma o grumos de resina sobre la hoja.	3. Retire la hoja y límpiela con aguarrás y lana de acero gruesa o limpiahornos para uso doméstico.
4. Hoja incorrecta para el trabajo que se realiza.	4. Cambie el tipo de hoja. Página 39.
LA HOJA NO GIRA A SUFICIENTE VELOCIDAD	QUÉ HACER
1. Cable prolongador demasiado liviano o demasiado largo	1. Reemplácelo por un cable de tamaño adecuado. Página 32.
2. Baja corriente en el hogar	2. Comuníquese con su compañía de energía eléctrica.
3. Correa desgastada o rota.	3. Reemplace la correa. Visite un centro de mantenimiento DEWALT
LA MÁQUINA VIBRA EXCESIVAMENTE	QUÉ HACER
1. La sierra está colocada sobre un suelo desnivelado.	1. Reubique sobre una superficie plana. Ajuste los pies para estabilizarla. página 40.
2. Hoja de sierra dañada.	2. Reemplace la hoja. Página 39.
3. La sierra no está asegurada al piso.	3. Asegure la sierra al piso.
4. Correa dañada.	4. Reemplace la correa.
CORTES DE INGLETE NO EXACTOS	QUÉ HACER
1. El indicador de inglete no está regulado correctamente.	1. Verifique y regule. Página 40.
2. El indicador de inglete no está en ángulo recto con la hoja.	2. Verifique y regule. Página 40.
3. La hoja no está perpendicular al banco.	3. Verifique y regule los topes de biselado. Página 39.
4. La pieza de trabajo se mueve.	4. Sujete la pieza de trabajo con una abrazadera a la cara de la cabeza del inglete. Pegue papel de lija de aspereza N° 120 a la cara de la cabeza del inglete.

EL MATERIAL SE ESTÁ LIGANDO DURANTE EL CORTE	QUÉ HACER
1. Cortes de material curvo.	1. Se debe poner plano el material en el punto de corte y sostenerse con un pedazo de material y/o calibrador de inglete.
2. La guía no está alineada paralelamente a la hoja.	2. Alinee la guía. Página 38.
3. El hendedor no está alineado con la hoja.	3. Alinee el hendedor. Página 39.
CORTES LONGITUDINALES INEXACTOS	QUÉ HACER
1. El indicador de la escala de corte no está alineado.	1. Ajuste el indicador. Página 39.
CORTES BISELADOS INEXACTOS	QUÉ HACER
1. La escala de biselado no está ajustada.	1. Ajuste la escala. Página 40.
2. Los topes de biselado no están ajustados.	2. Ajuste los topes de biselado. Página 40.
LA PARTE POSTERIOR DE LA GUÍA SE SALE HACIA ARRIBA CUANDO LA GUÍA SE BLOQUEA	QUÉ HACER
1. El gancho posterior no está sujeto a la guía posterior.	1. Vuelva a sujetar la guía. Asegúrese que el gancho esté engranado. Página 39.
2. El gancho/tapa posterior no está en la posición correcta	2. Ajuste la posición de la tapa posterior. Página 39.
LA GUÍA NO SE DESLIZA LIBREMENTE	QUÉ HACER
1. La guía se arrastra o salta cuando se mueve.	1. Limpie los rieles delanteros y traseros. Vuelva a aplicar la cera. Página 45.
2. La tapa/gancho posterior interfiere con la parte trasera de la sierra.	2. Ajuste la posición de la tapa posterior. Página 38.
LA GUÍA GOLPEA LA PARTE SUPERIOR DEL BANCO O EL ESPACIO CAMBIA CUANDO SE DESLIZA POR LOS RIELES	QUÉ HACER
1. El riel delantero y/o trasero no está paralelo al banco.	1. Ajuste los rieles para que estén paralelos. Página 37.
2. Los bancos auxiliares no están alineados con la parte superior del banco.	2. Ajuste los bancos auxiliares para alinearlos con la parte superior. Página 38.
3. La cara de la guía se arrastra por la superficie del banco.	3. Ajuste la cara de la guía. Página 38.

MANIVELAS DE ALTURA O BISELADO DIFÍCILES DE GIRAR	QUÉ HACER
1. El bloqueo de las manivelas está engranado.	1. Afloje la perilla de bloqueo entre 1/4 y 1/2 vuelta.
2. El aserrín, la inclinación de las ruedas dentadas de altura o biselado hacen que el dificultan el funcionamiento.	2. Consulte la sección de mantenimiento, página 44.
POLVO COLECTOR OBSTRUCCIONES	QUÉ HACER
1. La aspiradora no está conectada.	1. Conecte la aspiradora. Página 44.
2. Cortar astillas o trozos pequeños	2. Retire el colector de polvo Use una varita para pintura o un destornillador para aflojar los desechos o deje el colector apagado. Página 44.

Push Stick Pattern
Modèle de poussoir
Patrón de la vara de empuje

Adjust length of push stick so hand will clear blade guard and rip fence.

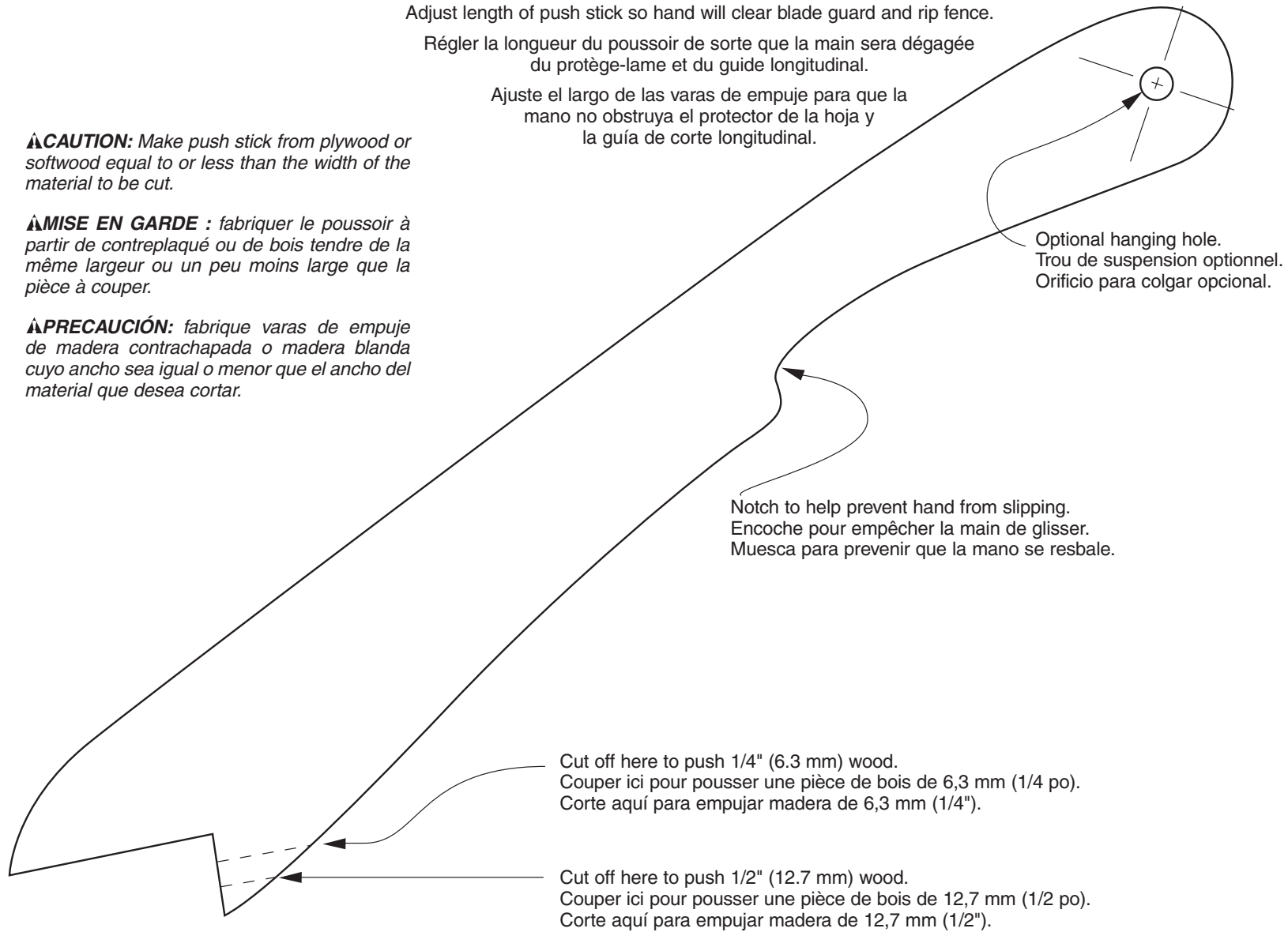
Régler la longueur du poussoir de sorte que la main sera dégagée du protège-lame et du guide longitudinal.

Ajuste el largo de las varas de empuje para que la mano no obstruya el protector de la hoja y la guía de corte longitudinal.

⚠CAUTION: Make push stick from plywood or softwood equal to or less than the width of the material to be cut.

⚠MISE EN GARDE : fabriquer le poussoir à partir de contreplaqué ou de bois tendre de la même largeur ou un peu moins large que la pièce à couper.

⚠PRECAUCIÓN: fabrique varas de empuje de madera contrachapada o madera blanda cuyo ancho sea igual o menor que el ancho del material que desea cortar.



DEWALT Industrial Tool Co., 701 East Joppa Road, Baltimore, MD 21286

(APR 07) Form No. 652612-00

DW746

Copyright © 2000, 2007 DEWALT

The following are trademarks for one or more DEWALT power tools: the yellow and black color scheme; the "D" shaped air intake grill; the array of pyramids on the handgrip; the kit box configuration; and the array of lozenge-shaped humps on the surface of the tool.