

If you have questions or comments, contact us.
Pour toute question ou tout commentaire, nous contacter.
Si tiene dudas o comentarios, contáctenos.

1-800-4-DEWALT • www.dewalt.com

INSTRUCTIVO DE OPERACIÓN, CENTROS DE SERVICIO Y PÓLIZA DE GARANTÍA. **ADVERTENCIA:** LEÁSE ESTE INSTRUCTIVO ANTES DE USAR EL PRODUCTO.

INSTRUCTION MANUAL
GUIDE D'UTILISATION
MANUAL DE INSTRUCCIONES

DEWALT®

DW890, DW891
Swivel Head Shears
Cisailles à tête pivotante
Cizalla de cabezal giratorio

DEWALT Industrial Tool Co., 701 East Joppa Road, Baltimore, MD 21286.

(NOV12) Part No. N241499 DW890, DW891 Copyright © 1997, 2002, 2007, 2012 DEWALT
The following are trademarks for one or more DEWALT power tools: the yellow and black color scheme; the "D" shaped air intake grill; the array of pyramids on the handgrip; the kit box configuration; and the array of lozenge-shaped humps on the surface of the tool.

Definitions: Safety Guidelines

The definitions below describe the level of severity for each signal word. Please read the manual and pay attention to these symbols.


⚠ DANGER: Indicates an imminently hazardous situation which, if not avoided, **will** result in **death or serious injury**.

⚠ WARNING: Indicates a potentially hazardous situation which, if not avoided, **could** result in **death or serious injury**.

⚠ CAUTION: Indicates a potentially hazardous situation which, if not avoided, **may** result in **minor or moderate injury**.

NOTICE: Indicates a practice **not related to personal injury** which, if not avoided, **may** result in **property damage**.

IF YOU HAVE ANY QUESTIONS OR COMMENTS ABOUT THIS OR ANY DEWALT TOOL, CALL US TOLL FREE AT: **1-800-4-DEWALT (1-800-433-9258)**.

 **WARNING:** To reduce the risk of injury, read the instruction manual.

General Power Tool Safety Warnings

⚠ WARNING! Read all safety warnings and all instructions. Failure to follow the warnings and instructions may result in electric shock, fire and/or serious injury.

SAVE ALL WARNINGS AND INSTRUCTIONS FOR FUTURE REFERENCE

The term "power tool" in the warnings refers to your mains-operated (corded) power tool or battery-operated (cordless) power tool.

1) WORK AREA SAFETY

- Keep work area clean and well lit.** Cluttered or dark areas invite accidents.
- Do not operate power tools in explosive atmospheres, such as in the presence of flammable liquids, gases or dust.** Power tools create sparks which may ignite the dust or fumes.
- Keep children and bystanders away while operating a power tool.** Distractions can cause you to lose control.

2) ELECTRICAL SAFETY

- Power tool plugs must match the outlet. Never modify the plug in any way. Do not use any adapter plugs with earthed (grounded) power tools.** Unmodified plugs and matching outlets will reduce risk of electric shock.
- Avoid body contact with earthed or grounded surfaces such as pipes, radiators, ranges and refrigerators.** There is an increased risk of electric shock if your body is earthed or grounded.
- Do not expose power tools to rain or wet conditions.** Water entering a power tool will increase the risk of electric shock.
- Do not abuse the cord. Never use the cord for carrying, pulling or unplugging the power tool. Keep cord away from heat, oil, sharp edges or moving parts.** Damaged or entangled cords increase the risk of electric shock.
- When operating a power tool outdoors, use an extension cord suitable for outdoor use.** Use of a cord suitable for outdoor use reduces the risk of electric shock.
- If operating a power tool in a damp location is unavoidable, use a ground fault circuit interrupter (GFCI) protected supply.** Use of a GFCI reduces the risk of electric shock.

3) PERSONAL SAFETY

- Stay alert, watch what you are doing and use common sense when operating a power tool. Do not use a power tool while you are tired or under the influence of**

drugs, alcohol or medication. A moment of inattention while operating power tools may result in serious personal injury.

- Use personal protective equipment. Always wear eye protection.** Protective equipment such as dust mask, non-skid safety shoes, hard hat, or hearing protection used for appropriate conditions will reduce personal injuries.
 - Prevent unintentional starting. Ensure the switch is in the off position before connecting to power source and/or battery pack, picking up or carrying the tool.** Carrying power tools with your finger on the switch or energizing power tools that have the switch on invites accidents.
 - Remove any adjusting key or wrench before turning the power tool on.** A wrench or a key left attached to a rotating part of the power tool may result in personal injury.
 - Do not overreach. Keep proper footing and balance at all times.** This enables better control of the power tool in unexpected situations.
 - Dress properly. Do not wear loose clothing or jewelry. Keep your hair, clothing and gloves away from moving parts.** Loose clothes, jewelry or long hair can be caught in moving parts.
 - If devices are provided for the connection of dust extraction and collection facilities, ensure these are connected and properly used.** Use of dust collection can reduce dust-related hazards.
- 4) POWER TOOL USE AND CARE**
- Do not force the power tool. Use the correct power tool for your application.** The correct power tool will do the job better and safer at the rate for which it was designed.
 - Do not use the power tool if the switch does not turn it on and off.** Any power tool that cannot be controlled with the switch is dangerous and must be repaired.
 - Disconnect the plug from the power source and/or the battery pack from the power tool before making any adjustments, changing accessories, or storing power tools.** Such preventive safety measures reduce the risk of starting the power tool accidentally.
 - Store idle power tools out of the reach of children and do not allow persons unfamiliar with the power tool or these instructions to operate the power tool.** Power tools are dangerous in the hands of untrained users.
 - Maintain power tools. Check for misalignment or binding of moving parts, breakage of parts and any other condition that may affect the power tool's operation. If damaged, have the power tool repaired before use.** Many accidents are caused by poorly maintained power tools.
 - Keep cutting tools sharp and clean.** Properly maintained cutting tools with sharp cutting edges are less likely to bind and are easier to control.
 - Use the power tool, accessories and tool bits, etc. in accordance with these instructions, taking into account the working conditions and the work to be performed.** Use of the power tool for operations different from those intended could result in a hazardous situation.
- 5) SERVICE**
- Have your power tool serviced by a qualified repair person using only identical replacement parts.** This will ensure that the safety of the power tool is maintained.

Additional Safety Rules Instructions for Shears

- Hold tool by insulated gripping surfaces when performing an operation where the cutting tools may contact hidden wiring or its own cord.** Contact with a "live" wire will make exposed metal parts of the tool "live" and shock the operator.
- Cut material at or below rated capacity. Remember, material thickness increases as gauge number decreases (14 gauge is thicker than 16 gauge). 14 gauge thickness is .075" (1.9 mm); 16 gauge is .060" (1.5 mm).**
- NEVER have any part of your body near the blades.** Serious personal injury may result.
- Keep hands away from cutting area.** A moment of inattention while operating power tools may result in serious personal injury.
- ALWAYS wear gloves when handling sheet metal.** The edges are sharp and can cause serious personal injury.
- Firmly secure the piece of metal to be cut** to prevent movement during cutting.
- ALWAYS start tool before engaging material** to be cut.
- ALWAYS use tool with curl deflector.**
- If possible, cut material so scrap curl is to the right.** This direction will move curl down and out of the way.
- Use shears upright.** If tool is upside down, metal curl may turn toward you.
- DO NOT use the shear with any kind of accessory or attachment.**
- Always wear safety shoes** to protect your feet from sharp metal debris on the floor.
- Keep all screws tight.** Check periodically for loosening.
- Do not place anything into the motor housing openings.**
- Clean out your tool often, especially after heavy use.** Dust and grit containing metal particles often accumulate on interior surfaces and could create an electric shock hazard.
- Stay clear of end pieces that may fall after being cut off.** Contact with a sharp edge could result in personal injury.
- Always keep the power cord away from the edge of the material being cut.** Sharp edges can result in the cord insulation being cut. This condition may create an electrical hazard.
- Air vents often cover moving parts and should be avoided.** Loose clothes, jewelry or long hair can be caught in moving parts.
- An extension cord must have adequate wire size (AWG or American Wire Gauge) for safety.** The smaller the gauge number of the wire, the greater the capacity of the cable, that is 16 gauge has more capacity than 18 gauge. An undersized cord will cause a drop in line voltage resulting in loss of power and overheating. When using more than one extension to make up the total length, be sure each individual extension contains at least the minimum wire size. The following table shows the correct size to use depending on cord length and nameplate ampere rating. If in doubt, use the next heavier gauge. The smaller the gauge number, the heavier the cord.

		Minimum Gauge for Cord Sets				
		Volts	Total Length of Cord in Feet (meters)			
Ampere Rating		120V	25 (7.6)	50 (15.2)	100 (30.5)	150 (45.7)
		240V	50 (15.2)	100 (30.5)	200 (61.0)	300 (91.4)
More Than	Not More Than	AWG				
0	6		18	16	16	14
6	10		18	16	14	12
10	12		16	16	14	12
12	16		14	12	Not Recommended	

⚠ WARNING: ALWAYS use safety glasses. Everyday eyeglasses are NOT safety glasses. Also use face or dust mask if cutting operation is dusty. ALWAYS WEAR CERTIFIED SAFETY EQUIPMENT:

- ANSI Z87.1 eye protection (CAN/CSA Z94.3),
- ANSI S12.6 (S3.19) hearing protection,
- NIOSH/OSHA/MSHA respiratory protection.

⚠ WARNING: Some dust created by power sanding, sawing, grinding, drilling, and other construction activities contains chemicals known to the State of California to cause cancer, birth defects or other reproductive harm. Some examples of these chemicals are:

- lead from lead-based paints,
- crystalline silica from bricks and cement and other masonry products, and
- arsenic and chromium from chemically-treated lumber.

Your risk from these exposures varies, depending on how often you do this type of work. To reduce your exposure to these chemicals: work in a well ventilated area, and work with approved safety equipment, such as those dust masks that are specially designed to filter out microscopic particles.

• Avoid prolonged contact with dust from power sanding, sawing, grinding, drilling, and other construction activities. Wear protective clothing and wash exposed areas with soap and water. Allowing dust to get into your mouth, eyes, or lay on the skin may promote absorption of harmful chemicals.

⚠ WARNING: Use of this tool can generate and/or disperse dust, which may cause serious and permanent respiratory or other injury. Always use NIOSH/OSHA approved respiratory protection appropriate for the dust exposure. Direct particles away from face and body.

⚠WARNING: Always wear proper personal hearing protection that conforms to ANSI S12.6 (S3.19) during use. Under some conditions and duration of use, noise from this product may contribute to hearing loss.

The label on your tool may include the following symbols. The symbols and their definitions are as follows:

V.....volts	A.....amperes
Hz.....hertz	W.....watts
minminutes	~ or AC.....alternating current
=== or DC.....direct current	⎓ or AC/DC.....alternating or direct current
Ⓛ.....Class I Construction (grounded)	n ₀no load speed
Ⓜ.....Class II Construction (double insulated)	n.....rated speed
.../minper minute	⊕earthing terminal
IPM.....impacts per minute	⚠.....safety alert symbol
SPM.....strokes per minute	BPM.....beats per minute
	RPM.....revolutions per minute
	sfp.....surface feet per minute

SAVE THESE INSTRUCTIONS FOR FUTURE USE

Motor

Be sure your power supply agrees with the nameplate marking. Voltage decrease of more than 10% will cause loss of power and overheating. DEWALT tools are factory tested; if this tool does not operate, check power supply.

COMPONENTS (Fig. 1)

- A. Trigger switch/variable speed switch
- B. Swivel head shear
- C. Lock-on control button
- D. Blade

Variable Speed Switch (Fig. 1)

To turn the tool ON, squeeze the trigger switch (A). To turn the tool OFF release the trigger.

Your tool is equipped with a **variable speed switch** which enables you to select the best speed for a particular application. The farther you squeeze the trigger, the faster the tool will operate. Use lower speeds for cutting tight curves or following precise guideline. Higher speeds are better for gradual curves and straight line cuts. For maximum tool life, use lower speeds only for short periods of time.

Lock-On Button (Fig. 1, 2)

⚠WARNING: To reduce the risk of serious personal injury, be sure to release the switch lock button before disconnecting the plug from the power supply. Failure to do so will cause the tool to start immediately the next time it is plugged in. Damage or injury could result.

To lock the trigger in the on position for continuous operation, depress trigger, push up the lock button, and gently release the trigger.

To release the locking mechanism, depress the trigger fully, then release it. Before using the tool each time, be sure that the lock button release mechanism is working freely.

OPERATION

⚠WARNING: To reduce the risk of injury, turn unit off and disconnect it from power source before installing and removing accessories, before adjusting or when making repairs. An accidental start-up can cause injury.

For accurate work, always clamp or anchor the material to be cut. Line up one edge of the tool's middle blade with the cutting line and advance blades into the material without forced effort or unnecessary pressure. A little practice will enable you to determine what forward pressure gives you the smoothest cutting. It is important to keep the lower surfaces of the side blades flat on the material being cut (Fig. 5). When cutting curves, do not tilt the tool; keep the side blades flat and level. The head of the shear will swivel to afford better access to the material. For best cutting efficiency, keep blades sharp.

Disassembly and Assembly

To remove shear head from motor, loosen three cap screws (E) using the hex wrench (F) provided. Remove shear head (B) by pulling head firmly forward. Slight twisting action may be required if head does not slide off easily.

To remove cutter blades from shear head, remove three cap screws (E) from shear housing (G). Be careful not to lose rear spacer bushing when removing middle cap screw. Remove center blade (H) from housing by tapping blade gently towards the rear. The side knives (I) and side spacers (J) will now drop out of the housing.

To remove eccentric bearing assembly from shaft, use an appropriate wrench to loosen eccentric nut (K) by turning counterclockwise.

To install eccentric bearing assembly onto shaft, make sure the large, thin washer (L) is first inserted over shaft. Screw eccentric bearing assembly onto shaft and tighten with appropriate wrench. Lubricate bearing (N) with a good grade of bearing grease.

To install cutter blades into shear housing, place the side knives (I) and side spacers (J) into position in the shear housing (H). Insert center cap screw through side knife and side spacer with rear spacer bushing between them. Start cap screw into thread just enough to hold blades in place. **DO NOT TIGHTEN.** Insert spacer bushing into hole in center blade and lubricate. Install center blade into shear housing by tapping blade gently forward using a drift pin to line up hole in center blade with forward holes in housing. Insert and tighten forward cap screw making sure spacer bushing in center blade stays in position. Apply good grade of bearing grease to clevis or yoke in center blade where it rides on the eccentric bearing assembly. Insert rear cap screw into shear housing but do not completely tighten.

To install shear head assembly onto drive motor, make sure all cap screws are loosened about 3 or 4 complete turns. Place shear head onto unit and alternately tighten cap screws snugly to lock head assembly in place. It may be necessary to gently tap the shear head into place if it does not readily slip onto the nose of the power unit.

Adjustment (Fig. 5, 6)

SWIVEL HEAD

To better accommodate safe cutting at any angle, the shear head can be repositioned by loosening the three cap screws.

Once the screws are loosened, turn the shear head to the desired angle. Retighten the three cap screws before installing battery pack.

To adjust the curl of waste material, the left side knife has elongated holes. Adjustment may be necessary after changing blades or material being cut. Loosen cap screws and tap side knife either forward or backward so that curl of waste does not hit shear housing or work material while cutting.

MAINTENANCE

⚠WARNING: To reduce the risk of injury, turn unit off and disconnect it from power source before installing and removing accessories, before adjusting or when making repairs. An accidental start-up can cause injury.

Cleaning

⚠WARNING: Blow dirt and dust out of all air vents with clean, dry air at least once a week. To minimize the risk of eye injury, always wear ANSI Z87.1 approved eye protection when performing this.

⚠WARNING: Never use solvents or other harsh chemicals for cleaning the non-metallic parts of the tool. These chemicals may weaken the plastic materials used in these parts. Use a cloth dampened only with water and mild soap. Never let any liquid get inside the tool; never immerse any part of the tool into a liquid.

Lubrication

All ball bearings are factory lubricated to last the life of the tool. All sleeve and needle bearings receive their lubrication from grease in the gear case. Clean and re-lubricate gear case yearly or whenever servicing requires the gear case to be removed. Use type and quantity of grease shown on the parts bulletin packed with your tool.

FIG. 1

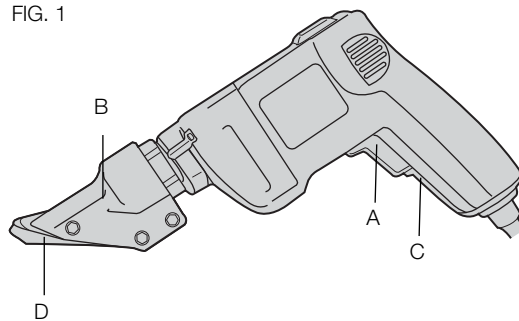


FIG. 2

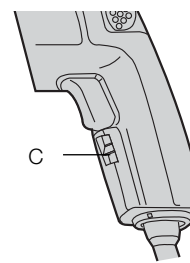


FIG. 3

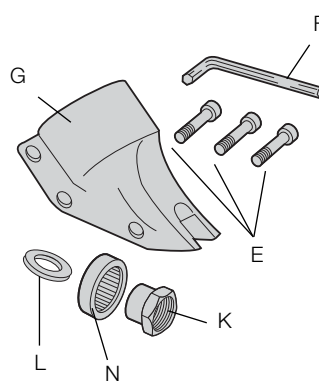


FIG. 4

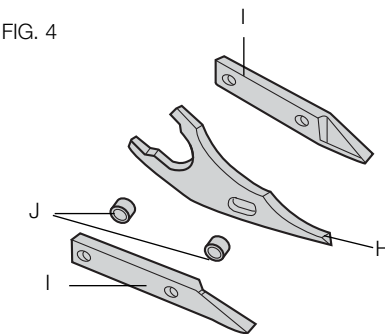


FIG. 4

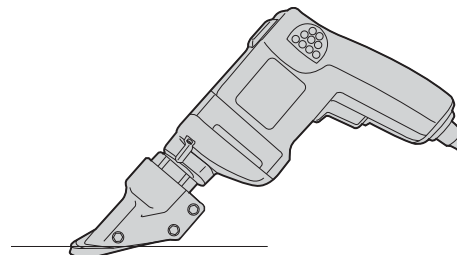
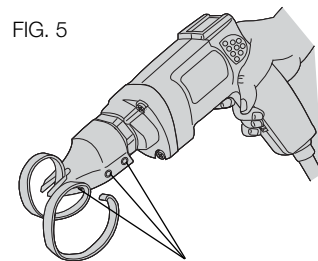


FIG. 5



ALTERNATELY TIGHTEN TO SECURE
POUR FIXER SOLIDEMENT,
SERRER À TOUR DE RÔLE
APRIÉTELOS ALTERNADAMENTE
PARA FIJARLOS

Accessories

⚠WARNING: Since accessories, other than those offered by DEWALT, have not been tested with this product, use of such accessories with this tool could be hazardous. To reduce the risk of injury, only DEWALT recommended accessories should be used with this product.

Recommended accessories for use with your tool are available at extra cost from your local dealer or authorized service center. If you need assistance in locating any accessory, please contact DEWALT Industrial Tool Co., 701 East Joppa Road, Baltimore, MD 21286, call 1-800-4-DEWALT (1-800-433-9258) or visit our website: www.dewalt.com.

Repairs

To assure product SAFETY and RELIABILITY, repairs, maintenance and adjustment (including brush inspection and replacement) should be performed by a DEWALT factory service center, a DEWALT authorized service center or other qualified service personnel. Always use identical replacement parts.

Register Online

Thank you for your purchase. Register your product now for:

- **WARRANTY SERVICE:** Registering your product will help you obtain more efficient warranty service in case there is a problem with your product.
- **CONFIRMATION OF OWNERSHIP:** In case of an insurance loss, such as fire, flood or theft, your registration of ownership will serve as your proof of purchase.
- **FOR YOUR SAFETY:** Registering your product will allow us to contact you in the unlikely event a safety notification is required under the Federal Consumer Safety Act.

Register online at www.dewalt.com/register.

Three Year Limited Warranty

DEWALT will repair, without charge, any defects due to faulty materials or workmanship for three years from the date of purchase. This warranty does not cover part failure due to normal wear or tool abuse. For further detail of warranty coverage and warranty repair information, visit www.dewalt.com or call 1-800-4-DEWALT (1-800-433-9258). This warranty does not apply to accessories or damage caused where repairs have been made or attempted by others. This warranty gives you specific legal rights and you may have other rights which vary in certain states or provinces.

In addition to the warranty, DEWALT tools are covered by our:

1 YEAR FREE SERVICE

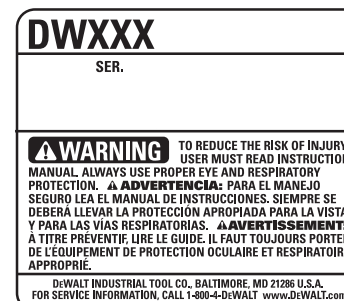
DEWALT will maintain the tool and replace worn parts caused by normal use, for free, any time during the first year after purchase.

90 DAY MONEY BACK GUARANTEE

If you are not completely satisfied with the performance of your DEWALT Power Tool, Laser, or Nailer for any reason, you can return it within 90 days from the date of purchase with a receipt for a full refund – no questions asked.

LATIN AMERICA: This warranty does not apply to products sold in Latin America. For products sold in Latin America, see country specific warranty information contained in the packaging, call the local company or see website for warranty information.

FREE WARNING LABEL REPLACEMENT: If your warning labels become illegible or are missing, call 1-800-4-DEWALT (1-800-433-9258) for a free replacement.



Définitions : lignes directrices en matière de sécurité

Les définitions ci-dessous décrivent le niveau de danger pour chaque mot-indicateur employé. Lire le mode d'emploi et porter une attention particulière à ces symboles.

▲ DANGER : indique une situation dangereuse imminente qui, si elle n'est pas évitée, entraînera la mort ou des blessures graves.

▲ AVERTISSEMENT : indique une situation potentiellement dangereuse qui, si elle n'est pas évitée, pourrait entraîner la mort ou des blessures graves.

▲ ATTENTION : indique une situation potentiellement dangereuse qui, si elle n'est pas évitée, pourrait entraîner des blessures légères ou modérées.

AVIS : indique une pratique ne posant aucun risque de dommages corporels mais qui par contre, si rien n'est fait pour l'éviter, pourrait poser des risques de dommages matériels.

POUR TOUTE QUESTION OU REMARQUE AU SUJET DE CET OUTIL OU DE TOUT AUTRE OUTIL DEWALT, COMPOSEZ LE NUMÉRO SANS FRAIS : 1-800-4-DEWALT (1-800-433-9258).



AVERTISSEMENT : afin de réduire le risque de blessures, lire le mode d'emploi de l'outil.

Avertissements de sécurité généraux pour les outils électriques



AVERTISSEMENT ! Lire tous les avertissements de sécurité et toutes les directives. Le non-respect des avertissements et des directives pourrait se solder par un choc électrique, un incendie et/ou une blessure grave.

CONSERVER TOUS LES AVERTISSEMENTS ET TOUTES LES DIRECTIVES POUR UN USAGE ULTÉRIEUR

Le terme « outil électrique » cité dans les avertissements se rapporte à votre outil électrique à alimentation sur secteur (avec fil) ou par piles (sans fil).

1) SÉCURITÉ DU LIEU DE TRAVAIL

- Tenir l'aire de travail propre et bien éclairée.** Les lieux encombrés ou sombres sont propices aux accidents.
- Ne pas faire fonctionner d'outils électriques dans un milieu déflagrant, tel qu'en présence de liquides, de gaz ou de poussières inflammables.** Les outils électriques produisent des étincelles qui pourraient enflammer la poussière ou les vapeurs.
- Éloigner les enfants et les personnes à proximité pendant l'utilisation d'un outil électrique.** Une distraction pourrait en faire perdre la maîtrise à l'utilisateur.

2) SÉCURITÉ EN MATIÈRE D'ÉLECTRICITÉ

- Les fiches des outils électriques doivent correspondre à la prise. Ne jamais modifier la fiche d'aucune façon. Ne jamais utiliser de fiche d'adaptation avec un outil électrique mis à la terre.** Le risque de choc électrique sera réduit par l'utilisation de fiches non modifiées correspondant à la prise.
- Éviter tout contact physique avec des surfaces mises à la terre comme des tuyaux, des radiateurs, des cuisinières et des réfrigérateurs.** Le risque de choc électrique est plus élevé si votre corps est mis à la terre.
- Ne pas exposer les outils électriques à la pluie ou à l'humidité.** La pénétration de l'eau dans un outil électrique augmente le risque de choc électrique.
- Ne pas utiliser le cordon de façon abusive. Ne jamais utiliser le cordon pour transporter, tirer ou débrancher un outil électrique. Tenir le cordon éloigné de la chaleur, de l'huile, des bords tranchants et des pièces mobiles.** Les cordons endommagés ou enchevêtrés augmentent les risques de choc électrique.
- Pour l'utilisation d'un outil électrique à l'extérieur, se servir d'une rallonge convenant à cette application.** L'utilisation d'une rallonge conçue pour l'extérieur réduira les risques de choc électrique.
- S'il est impossible d'éviter l'utilisation d'un outil électrique dans un endroit humide, brancher l'outil dans une prise ou sur un circuit d'alimentation dotés d'un disjoncteur de fuite à la terre (GFCI).** L'utilisation de ce type de disjoncteur réduit les risques de choc électrique.

3) SÉCURITÉ PERSONNELLE

- Être vigilant, surveiller le travail effectué et faire preuve de jugement lorsqu'un outil électrique est utilisé. Ne pas utiliser d'outil électrique en cas de fatigue ou sous l'influence de drogues, d'alcool ou de médicaments.** Un simple moment d'inattention en utilisant un outil électrique peut entraîner des blessures corporelles graves.
- Utiliser des équipements de protection individuelle. Toujours porter une protection oculaire.** L'utilisation d'équipements de protection comme un masque antipoussière, des chaussures antidérapantes, un casque de sécurité ou des protecteurs auditifs lorsque la situation le requiert réduira les risques de blessures corporelles.
- Empêcher les démarrages intempestifs. S'assurer que l'interrupteur se trouve à la position d'arrêt avant de relier l'outil à une source d'alimentation et/ou d'insérer un bloc-piles, de ramasser ou de transporter l'outil.** Transporter un outil électrique alors que le doigt repose sur l'interrupteur ou brancher un outil électrique dont l'interrupteur est à la position de marche risque de provoquer un accident.
- Retirer toute clé de réglage ou clé avant de démarrer l'outil.** Une clé ou une clé de réglage attachée à une partie pivotante de l'outil électrique peut provoquer des blessures corporelles.
- Ne pas trop tendre les bras. Conserver son équilibre en tout temps.** Cela permet de mieux maîtriser l'outil électrique dans les situations imprévues.
- S'habiller de manière appropriée. Ne pas porter de vêtements amples ni de bijoux. Garder les cheveux, les vêtements et les gants à l'écart des pièces mobiles.** Les vêtements amples, les bijoux ou les cheveux longs risquent de rester coincés dans les pièces mobiles.
- Si des composants sont fournis pour le raccordement de dispositifs de dépoussiérage et de ramassage, s'assurer que ceux-ci sont bien raccordés et utilisés.** L'utilisation d'un dispositif de dépoussiérage peut réduire les dangers engendrés par les poussières.

4) UTILISATION ET ENTRETIEN D'UN OUTIL ÉLECTRIQUE

- Ne pas forcer un outil électrique. Utiliser l'outil électrique approprié à l'application.** L'outil électrique approprié effectuera un meilleur travail, de façon plus sûre et à la vitesse pour laquelle il a été conçu.
- Ne pas utiliser un outil électrique dont l'interrupteur est défectueux.** Tout outil électrique dont l'interrupteur est défectueux est dangereux et doit être réparé.
- Débrancher la fiche de la source d'alimentation et/ou du bloc-piles de l'outil électrique avant de faire tout réglage ou changement d'accessoire ou avant de ranger l'outil.** Ces mesures préventives réduisent les risques de démarrage accidentel de l'outil électrique.
- Ranger les outils électriques hors de la portée des enfants et ne permettre à aucune personne n'étant pas familière avec un outil électrique ou son mode d'emploi d'utiliser cet outil.** Les outils électriques deviennent dangereux entre les mains d'utilisateurs inexpérimentés.
- Entretien des outils électriques. Vérifier si les pièces mobiles sont mal alignées ou coincées, si des pièces sont brisées ou présentent toute autre condition susceptible de nuire au bon fonctionnement de l'outil électrique. En cas de dommage, faire réparer l'outil électrique avant toute nouvelle utilisation.** Beaucoup d'accidents sont causés par des outils électriques mal entretenus.
- S'assurer que les outils de coupe sont aiguisés et propres.** Les outils de coupe bien entretenus et affûtés sont moins susceptibles de se coincer et sont plus faciles à maîtriser.
- Utiliser l'outil électrique, les accessoires, les forets, etc. conformément aux présentes directives en tenant compte des conditions de travail et du travail à effectuer.** L'utilisation d'un outil électrique pour toute opération autre que celle pour laquelle il a été conçu est dangereuse.

5) RÉPARATION

- Faire réparer l'outil électrique par un réparateur professionnel en n'utilisant que des pièces de rechange identiques.** Cela permettra de maintenir une utilisation sécuritaire de l'outil électrique.

Règles de sécurité supplémentaires pour les cisailles

- Tenir l'outil par sa surface de prise isolée lors d'opérations où les outils de coupe peuvent entrer en contact avec un câblage caché ou avec leur propre cordon d'alimentation.** Tout contact avec un fil « sous tension » mettra « sous tension » les pièces métalliques exposées de l'outil et provoquera un choc électrique chez l'opérateur de l'outil.
- Couper du matériel en fonction de la capacité nominale de la cisaille ou sous celle-ci. Se rappeler que l'épaisseur du matériau est inversement proportionnelle au calibre (ainsi, un matériau de calibre 14 est plus épais qu'un autre de calibre 16). En effet, l'épaisseur d'un matériau de calibre 14 est de 19 mm (0,75 po) et celui de calibre 16, 1,5 mm (0,06 po).**
- NE JAMAIS mettre une partie du corps près des couteaux.** Une telle pratique peut entraîner des blessures corporelles graves.
- Éloigner les mains de la zone de découpe.** Un simple moment d'inattention en utilisant un outil électrique peut entraîner des blessures graves.
- TOUJOURS porter des gants lors de la manipulation de feuilles de métal.** En effet, les bords sont tranchants et peuvent infliger de graves blessures corporelles.
- Abloquer la pièce métallique à couper afin d'empêcher tout déplacement en cours de coupe.**
- TOUJOURS actionner l'outil avant d'insérer le matériau à couper.**
- TOUJOURS utiliser l'outil avec le déflecteur.**
- Dans la mesure du possible, couper le matériau de sorte que la partie rejetée se trouve à droite de l'outil.** De la sorte, le matériau sera abaissé et éloigné de l'utilisateur.
- Utiliser les cisailles en position verticale.** Lorsqu'on inverse l'outil, la partie métallique rejetée est dirigée vers l'utilisateur.
- NE PAS utiliser la cisaille avec tout type d'accessoires ou de pièces.**
- Toujours porter des chaussures de sécurité pour protéger les pieds contre les débris métalliques pointus sur le plancher.**
- S'assurer de serrer toutes les vis.** Les vérifier régulièrement.
- Ne rien insérer dans les orifices du carter du moteur.**
- Nettoyer l'outil régulièrement, particulièrement après une utilisation intensive.** La poussière et les saletés contenant des particules métalliques s'accumulent souvent sur les surfaces internes de l'outil et pourraient créer un risque de choc électrique.
- Se tenir à l'écart des pièces en bout qui pourraient tomber après la coupe.** Un contact avec un bord tranchant risque de se solder par une blessure corporelle.
- Toujours tenir le cordon d'alimentation à l'écart du bord du matériau coupé.** Les bords tranchants risquent de couper l'isolant du cordon d'alimentation et pourraient créer un risque d'ordre électrique.
- Prendre des précautions à proximité des événements, car ils cachent des pièces mobiles.** Vêtements amples, bijoux ou cheveux longs risquent de rester coincés dans ces pièces mobiles.
- Pour la sécurité de l'utilisateur, utiliser une rallonge de calibre adéquat (AWG, American Wire Gauge [calibrage américain normalisé des fils électriques]).** Plus le calibre est petit, et plus sa capacité est grande. Un calibre 16, par exemple, a une capacité supérieure à un calibre 18. L'usage d'une rallonge de calibre insuffisant causera une chute de tension qui entraînera perte de puissance et surchauffe. Si plus d'une rallonge est utilisée pour obtenir une certaine longueur, s'assurer que chaque rallonge présente au moins le calibre de fil minimum. Le tableau ci-dessous illustre les calibres à utiliser selon la longueur de rallonge et l'intensité nominale indiquée sur la plaque signalétique. En cas de doute, utiliser le calibre suivant. Plus le calibre est petit, plus la rallonge peut supporter de courant.

Calibres minimaux des rallonges						
Intensité (en ampères)	volts		Longueur totale de cordon en mètres (pieds)			
	120 V	240 V	7,6 (25)	15,2 (50)	30,5 (100)	45,7 (150)
			15,2 (50)	30,5 (100)	61,0 (200)	91,4 (300)
Supérieur à	Inférieur à	AWG				
0	6		18	16	16	14
6	10		18	16	14	12
10	12		16	16	14	12
12	16		14	12	Non recommandé	

▲ AVERTISSEMENT : porter **SYSTEMATIQUÉMENT** des lunettes de protection. Les lunettes courantes NE sont PAS des lunettes de protection. Utiliser aussi un masque antipoussières si la découpe doit en produire beaucoup. PORTER SYSTEMATIQUÉMENT UN ÉQUIPEMENT DE SÉCURITÉ HOMOLOGUÉ :

- Protection oculaire ANSI Z87.1 (CAN/CSA Z94.3) ;
- Protection auditive ANSI S12.6 (S3.19) ;
- Protection des voies respiratoires NIOSH/OSHA/MSHA.

▲ AVERTISSEMENT : les scies, meules, ponceuses, perceuses ou autres outils de construction peuvent produire des poussières contenant des produits chimiques reconnus par l'État californien pour causer cancers, malformations congénitales ou être nocifs au système reproducteur. Parmi ces produits chimiques, on retrouve :

- Le plomb dans les peintures à base de plomb ;
- La silice cristallisée dans les briques et le ciment, ou autres produits de maçonnerie ; et
- L'arsenic et le chrome dans le bois ayant subi un traitement chimique.

Le risque associé à de telles expositions varie selon la fréquence à laquelle on effectue ces travaux. Pour réduire toute exposition à ces produits : travailler dans un endroit bien aéré, en utilisant du matériel de sécurité homologué, tel un masque antipoussières spécialement conçu pour filtrer les particules microscopiques.

- Limitier toute exposition prolongée avec les poussières provenant du ponçage, sciage, meulage, perçage ou toute autre activité de construction. Porter des vêtements de protection et nettoyer à l'eau savonneuse les parties du corps exposées.** Le fait de laisser la poussière pénétrer dans la bouche, les yeux ou la peau peut favoriser l'absorption de produits chimiques dangereux.

▲ AVERTISSEMENT : cet outil peut produire et/ou répandre de la poussière susceptible de causer des dommages sérieux et permanents au système respiratoire. Utiliser systématiquement un appareil de protection des voies respiratoires homologué par le NIOSH ou l'OSHA. Diriger les particules dans le sens opposé au visage et au corps.

▲ AVERTISSEMENT : pendant l'utilisation, porter systématiquement une protection auditive individuelle adéquate homologuée ANSI S12.6 (S3.19). Sous certaines conditions et suivant la durée d'utilisation, le bruit émanant de ce produit pourrait contribuer à une perte de l'acuité auditive.

- L'étiquette apposée sur votre outil peut inclure les symboles suivants. Les symboles et leur définition sont indiqués ci-après :

V.....volts	A..... ampères
Hz.....hertz	W..... watts
min minutes	~ ou AC..... courant alternatif
== ou DC.... courant continu	⊞ ou AC/DC... courant alternatif ou continu
⚠..... classe I fabrication (mis à la terre)	n _o vitesse à vide
□..... fabrication classe II (double isolation)	n..... vitesse nominale
.../min par minute	⊕ borne de terre
IPM..... impacts par minute	▲..... symbole d'avertissement
sfpm pieds linéaires par minute (plpm)	BPM..... battements par minute
SPM (FPM).... fréquence par minute	r/min tours par minute

CONSERVER CES CONSIGNES POUR UTILISATION ULTÉRIEURE

Moteur

S'assurer que le bloc d'alimentation est compatible avec l'inscription de la plaque signalétique.Une diminution de tension de plus de 10 % provoquera une perte de puissance et une surchauffe. Les outils DEWALT sont testés en usine ; si cet outil ne fonctionne pas, vérifier l'alimentation électrique.

COMPOSANTS (fig. 1)

- A. Détente/Commutateur à vitesses variables
- B. Cisaille à tête pivotante
- C. Bouton de commande de verrouillage
- D. Lame

Commutateur à vitesses variables (fig. 1)

Pour démarrer l'outil, presser la détente (A). Pour l'éteindre, relâcher la détente.

L'outil est doté d'un **commutateur à vitesses variables** qui permet la sélection de la vitesse convenant le mieux à une application particulière. Plus la détente est enfoncée, plus la vitesse de l'outil sera élevée. Pour la coupe de courbes serrées ou pour suivre une ligne précise, utiliser les vitesses plus faibles. Les vitesses plus élevées sont plus appropriées pour des courbes progressives et des coupes en ligne droite. Pour maximiser la durée de vie de l'outil, utiliser les vitesses faibles uniquement pour de courtes périodes de temps.

Bouton de commande de verrouillage (fig. 1, 2)

⚠AVERTISSEMENT : Pour réduire le risque de blessure corporelle grave, s'assurer de bien dégager le bouton de verrouillage de la détente avant de débrancher la fiche du bloc d'alimentation. L'inobservation de cette mesure provoquera le démarrage immédiat de l'outil dès le prochain branchement. Une telle pratique risque de provoquer des dommages matériels ou des blessures.

Pour bloquer la détente en fonctionnement continu, l'enfoncer et relever le bouton de verrouillage, puis relâcher doucement la détente.

Pour déverrouiller le mécanisme, presser la détente jusqu'au fond puis la relâcher. Avant la prochaine utilisation de l'outil, s'assurer que le mécanisme de dégagement du bouton de verrouillage se déplace librement.

FONCTIONNEMENT

⚠AVERTISSEMENT : pour réduire le risque de blessures, éteindre l'appareil et le débrancher avant d'installer ou de retirer tout accessoire et avant d'effectuer des réglages ou des réparations. *Un démarrage accidentel peut provoquer des blessures.*

Pour un travail de précision, toujours fixer ou ancrer la pièce à couper. Aligner un bord du couteau central de l'outil avec la ligne de coupe et faire pénétrer les couteaux dans la pièce avec un minimum d'effort ou de pression. Un peu de pratique aidera à déterminer la pression d'avance pour une coupe régulière. Il est important de maintenir les surfaces inférieures des couteaux latéraux à plat sur la pièce à couper (fig. 5). Lors de la coupe de courbes, ne pas incliner l'outil; tenir les couteaux latéraux à plat et au niveau. La tête de la cisaille pivotera pour permettre un meilleur accès à la pièce. Maintenir les tranchants des couteaux bien affûtés pour maximiser l'efficacité de la coupe.

Démontage et assemblage

Pour retirer la tête de cisaille du moteur, desserrer les trois vis d'assemblage (E) avec la clé hexagonale (F) fournie. Tirer fermement la tête de cisaille (B) vers l'avant pour la retirer. Une légère rotation de celle-ci peut aider à la déboîter.

Pour retirer les couteaux de la tête de cisaille, retirer les trois vis d'assemblage (E) du boîtier de la cisaille (G). Prendre soin de ne pas perdre la cale d'espacement arrière lors du retrait de la vis d'assemblage du milieu. Retirer le couteau central (H) du boîtier en le tapotant délicatement vers l'arrière. À ce point, les lames latérales (I) et les cales latérales (J) tomberont hors du boîtier.

Pour retirer l'ensemble de roulement excentrique de l'arbre, utiliser une clé appropriée pour desserrer l'écrou excentrique (K) en tournant dans le sens antihoraire.

Pour réinstaller l'ensemble de roulement excentrique sur l'arbre, s'assurer d'enfiler d'abord la grande rondelle mince (L) sur l'arbre. Visser l'ensemble sur l'arbre et le serrer avec la clé appropriée. Lubrifier le roulement (N) avec de la graisse à roulement de bonne qualité.

Pour installer les couteaux dans le boîtier des cisailles, insérer les lames latérales (I) et les cales latérales (J) en position dans le boîtier (H). Enfiler la vis d'assemblage centrale dans la lame latérale et la cale latérale et insérer la cale d'espacement arrière entre les deux pièces. Visser la vis d'assemblage suffisamment pour tenir les couteaux en place. NE PAS SERRER. Insérer la cale d'espacement dans le trou au centre du couteau et lubrifier. Insérer le couteau central dans le boîtier de la cisaille en tapotant doucement le couteau vers l'avant jusqu'à ce que le trou du couteau s'aligne avec les trous avant du boîtier à l'aide d'une broche d'assemblage. Insérer et serrer la vis d'assemblage avant et s'assurer que la cale d'espacement du couteau central demeure en position. Appliquer de la graisse à roulement de bonne qualité sur la manille d'assemblage ou la fourche du couteau central où s'appuie l'ensemble du roulement excentrique. Insérer la vis d'assemblage arrière dans le boîtier et ne pas serrer complètement pour le moment.

Pour installer l'ensemble de la tête de cisaille sur le bloc-moteur, s'assurer que toutes les vis d'assemblage sont desserrées d'environ trois à quatre tours complets. Insérer la tête de cisaille dans l'appareil et serrer fermement les vis d'assemblage à tour de rôle, pour verrouiller l'ensemble de la tête en position. Il sera peut-être nécessaire de tapoter doucement la tête de cisaille en position si elle ne glisse pas d'elle-même dans l'extrémité de l'appareil électrique.

Réglage (fig. 5, 6)

TÊTE PIVOTANTE

Pour couper de façon sécuritaire à tout angle, il est possible de repositionner la tête de cisaille en desserrant les trois vis d'assemblage.

Une fois les vis desserrées, tourner la tête de cisaille à l'angle recherché. Resserrer les trois vis d'assemblage avant de remettre le bloc-piles.

Pour régler l'enroulement des résidus de coupe, la lame latérale gauche comporte des trous allongés. Il est possible qu'un réglage s'avère nécessaire après un changement de couteaux ou de matière à couper. Desserrer les vis d'assemblage et tapoter sur la lame latérale vers l'avant ou l'arrière de sorte que les résidus enroulés ne touchent pas le boîtier de la cisaille ou la pièce lors de la coupe.

MAINTENANCE

⚠AVERTISSEMENT : pour réduire le risque de blessures, éteindre l'appareil et le débrancher avant d'installer ou de retirer tout accessoire et avant d'effectuer des réglages ou des réparations. *Un démarrage accidentel peut provoquer des blessures.*

Nettoyage

⚠AVERTISSEMENT : enlever les saletés et la poussière hors des événements au moyen d'air comprimé propre et sec, au moins une fois par semaine. Pour minimiser le risque de blessure aux yeux, toujours porter une protection oculaire conforme à la norme ANSI Z87.1 lors du nettoyage.

⚠AVERTISSEMENT : ne jamais utiliser de solvants ni d'autres produits chimiques puissants pour nettoyer les pièces non métalliques de l'outil. Ces produits chimiques peuvent affaiblir les matériaux de plastique utilisés dans ces pièces. Utiliser un chiffon humecté uniquement d'eau et de savon doux. Ne jamais laisser de liquide pénétrer dans l'outil et n'immerger aucune partie de l'outil dans un liquide.

Graissage

Tous les roulements à billes sont lubrifiés en usine pour la durée de vie de l'outil. La lubrification de tous les roulements à manchon et à aiguilles provient de la graisse du carter d'engrenages. Nettoyer et graisser de nouveau le carter d'engrenages à chaque année ou lors de toutes réparations qui exigent le retrait du carter d'engrenages. Utiliser le type et la quantité de graisse indiqués sur le feuillet des pièces, emballé avec l'outil.

Accessoires

⚠AVERTISSEMENT : puisque les accessoires autres que ceux offerts par DEWALT n'ont pas été testés avec ce produit, leur utilisation pourrait s'avérer dangereuse. Pour réduire le risque de blessures, utiliser exclusivement les accessoires DEWALT recommandés avec le présent produit.

Les accessoires recommandés pour cet outil sont vendus séparément au centre de service de votre région. Pour obtenir de l'aide concernant l'achat d'un accessoire, communiquer avec DEWALT Industrial Tool Co., 701 East Joppa Road, Baltimore, MD 21286 aux États-Unis; composer le 1 800 433-9258 (1 800 4-DEWALT) ou visiter notre site Web : www.dewalt.com.

Réparations

Pour assurer la SÉCURITÉ et la FIABILITÉ du produit, les réparations, l'entretien et les réglages doivent être réalisés (cela comprend l'inspection et le remplacement du balaï) par un centre de réparation en usine DEWALT, un centre de réparation agréé DEWALT ou par d'autres techniciens qualifiés. Toujours utiliser des pièces de rechange identiques.

Registre en ligne

Merci pour votre achat. Enregistrez dès maintenant votre produit:

- RÉPARATIONS SOUS GARANTIE:** cette carte remplie vous permettra de vous prévaloir du service de réparations sous garantie de façon plus efficace dans le cas d'un problème avec le produit.
- CONFIRMATION DE PROPRIÉTÉ:** en cas de perte provoquée par un incendie, une inondation ou un vol, cette preuve de propriété vous servira de preuve auprès de votre compagnie d'assurances.
- SÉCURITÉ:** l'enregistrement de votre produit nous permettra de communiquer avec vous dans l'éventualité peu probable de l'envoi d'un avis de sécurité régi par la loi fédérale américaine de la protection des consommateurs.

Registre en ligne à www.dewalt.com/register.

Garantie limitée de trois ans

DEWALT réparera, sans frais, tout produit défectueux causé par un défaut de matériel ou de fabrication pour une période de trois ans à compter de la date d'achat. La présente garantie ne couvre pas les pièces dont la défectuosité a été causée par une usure normale ou l'usage abusif de l'outil. Pour obtenir de plus amples renseignements sur les pièces ou les réparations couvertes par la présente garantie, visiter le site www.dewalt.com ou composer le 1 800 433-9258 (1 800 4-DEWALT). Cette garantie ne s'applique pas aux accessoires et ne vise pas les dommages causés par des réparations effectuées par un tiers. Cette garantie confère des droits légaux particuliers à l'acheteur, mais celui-ci pourrait aussi bénéficier d'autres droits variant d'un état ou d'une province à l'autre.

En plus de la présente garantie, les outils DEWALT sont couverts par notre :

CONTRAT D'ENTRETIEN GRATUIT D'UN AN

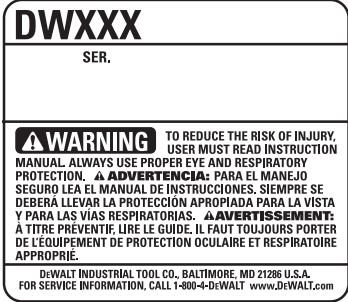
DEWALT entretiendra l'outil et remplacera les pièces usées au cours d'une utilisation normale et ce, gratuitement, pendant une période d'un an à compter de la date d'achat.

GARANTIE DE REMBOURSEMENT DE 90 JOURS

Si l'acheteur n'est pas entièrement satisfait, pour quelque raison que ce soit, du rendement de l'outil électrique, du laser ou de la cloueuse DEWALT, celui-ci peut le retourner, accompagné d'un reçu, dans les 90 jours à compter de la date d'achat pour obtenir un remboursement intégral, sans aucun problème.

AMÉRIQUE LATINE : cette garantie ne s'applique aux produits vendus en Amérique latine. Pour ceux-ci, veuillez consulter les informations relatives à la garantie spécifique présente dans l'emballage, appeler l'entreprise locale ou consulter le site Web pour les informations relatives à cette garantie.

REPLACEMENT GRATUIT DES ÉTIQUETTES D'AVERTISSEMENT : si les étiquettes d'avertissement deviennent illisibles ou sont manquantes, composer le 1 800 433-9258 (1 800 4-DEWALT) pour en obtenir le remplacement gratuit.



Definiciones: Normas de seguridad

Las siguientes definiciones describen el nivel de gravedad de cada palabra de señal. Lea el manual y preste atención a estos símbolos.

⚠PELIGRO: *indica una situación de peligro inminente que, si no se evita, provocará la muerte o lesiones graves.*

⚠ADVERTENCIA: *indica una situación de peligro potencial que, si no se evita, podría provocar la muerte o lesiones graves.*

⚠ATENCIÓN: *indica una situación de peligro potencial que, si no se evita, posiblemente provocaría lesiones leves o moderadas.*

AVISO: *se refiere a una práctica **no relacionada a lesiones corporales** que de no evitarse **puede resultar en daños a la propiedad.***

SI TIENE ALGUNA DUDA O ALGÚN COMENTARIO SOBRE ÉSTA U OTRA HERRAMIENTA DEWALT, LLÁMENOS AL NÚMERO GRATUITO: **1-800-4-DEWALT (1-800-433-9258)**.



ADVERTENCIA: *Para reducir el riesgo de lesiones, lea el manual de instrucciones.*

Advertencias generales de seguridad para herramientas eléctricas

⚠ ¡ADVERTENCIA! Lea todas las advertencias de seguridad e instrucciones. *El incumplimiento de las advertencias e instrucciones puede provocar descargas eléctricas, incendios o lesiones graves.*

CONSERVE TODAS LAS ADVERTENCIAS E INSTRUCCIONES PARA FUTURAS CONSULTAS

El término “herramienta eléctrica” incluido en las advertencias hace referencia a las herramientas eléctricas operadas con corriente (con cable eléctrico) o a las herramientas eléctricas operadas con baterías (inalámbricas).

1) SEGURIDAD EN EL ÁREA DE TRABAJO

- a) **Mantenga el área de trabajo limpia y bien iluminada.** Las áreas abarrotadas y oscuras propician accidentes.*
- b) **No opere las herramientas eléctricas en atmósferas explosivas, como ambientes donde haya polvo, gases o líquidos inflamables.** Las herramientas eléctricas originan chispas que pueden encender el polvo o los vapores.*
- c) **Mantenga alejados a los niños y a los espectadores de la herramienta eléctrica en funcionamiento.** Las distracciones pueden provocar la pérdida de control.*

2) SEGURIDAD ELÉCTRICA

- a) **Los enchufes de la herramienta eléctrica deben adaptarse al tomacorriente. Nunca modifique el enchufe de ninguna manera. No utilice ningún enchufe adaptador con herramientas eléctricas con conexión a tierra.** Los enchufes no modificados y que se adaptan a los tomacorrientes reducirán el riesgo de descarga eléctrica.*
- b) **Evite el contacto corporal con superficies con descargas a tierra como, por ejemplo, tuberías, radiadores, cocinas eléctricas y refrigeradores.** Existe mayor riesgo de descarga eléctrica si su cuerpo está puesto a tierra.*
- c) **No esponga las herramientas eléctricas a la lluvia o a condiciones de humedad.** Si entra agua a una herramienta eléctrica, aumentará el riesgo de descarga eléctrica.*
- d) **No maltrate el cable. Nunca utilice el cable para transportar, tirar o desenchufar la herramienta eléctrica. Mantenga el cable alejado del calor, el aceite, los bordes filosos y las piezas móviles.** Los cables dañados o enredados aumentan el riesgo de descarga eléctrica.*
- e) **Al operar una herramienta eléctrica en el exterior, utilice un cable prolongador adecuado para tal uso.** Utilice un cable adecuado para uso en exteriores a fin de reducir el riesgo de descarga eléctrica.*
- f) **Si el uso de una herramienta eléctrica en un lugar húmedo es imposible de evitar, utilice un suministro protegido con un interruptor de circuito por falla a tierra (GFCI).** El uso de un GFCI reduce el riesgo de descargas eléctricas.*

3) SEGURIDAD PERSONAL

- a) **Permanezca alerta, controle lo que está haciendo y utilice el sentido común cuando emplee una herramienta eléctrica. No utilice una herramienta eléctrica si***

está cansado o bajo el efecto de drogas, alcohol o medicamentos. Un momento de descuido mientras se opera una herramienta eléctrica puede provocar lesiones personales graves.

- b) **Utilice equipos de protección personal. Siempre utilice protección para los ojos.** En las condiciones adecuadas, el uso de equipos de protección, como máscaras para polvo, calzado de seguridad antideslizante, cascos o protección auditiva, reducirá las lesiones personales.
- c) **Evite el encendido por accidente. Asegúrese de que el interruptor esté en la posición de apagado antes de conectarlo a la fuente de energía o paquete de baterías, o antes de levantar o transportar la herramienta.** Transportar herramientas eléctricas con el dedo apoyado en el interruptor o enchufar herramientas eléctricas con el interruptor en la posición de encendido puede propiciar accidentes.
- d) **Retire la clavija de ajuste o la llave de tuercas antes de encender la herramienta eléctrica.** Una llave de tuercas o una clavija de ajuste que quede conectada a una pieza giratoria de la herramienta eléctrica puede provocar lesiones personales.
- e) **No se estire. Conserve el equilibrio y párese adecuadamente en todo momento.** Esto permite un mejor control de la herramienta eléctrica en situaciones inesperadas.
- f) **Use la vestimenta adecuada. No use ropas holgadas ni joyas. Mantenga el cabello, la ropa y los guantes alejados de las piezas en movimiento.** Las ropas holgadas, las joyas o el cabello largo pueden quedar atrapados en las piezas en movimiento.
- g) **Si se suministran dispositivos para la conexión de accesorios con fines de recolección y extracción de polvo, asegúrese de que estén conectados y que se utilicen correctamente.** El uso de dispositivos de recolección de polvo puede reducir los peligros relacionados con el polvo.

4) USO Y MANTENIMIENTO DE LA HERRAMIENTA ELÉCTRICA

- a) **No fuerce la herramienta eléctrica. Utilice la herramienta eléctrica correcta para el trabajo que realizará.** Si se la utiliza a la velocidad para la que fue diseñada, la herramienta eléctrica correcta permite trabajar mejor y de manera más segura.
- b) **No utilice la herramienta eléctrica si no puede encenderla o apagarla con el interruptor.** Toda herramienta eléctrica que no pueda ser controlada mediante el interruptor es peligrosa y debe repararse.
- c) **Desconecte el enchufe de la fuente de energía o el paquete de baterías de la herramienta eléctrica antes de realizar ajustes, cambiar accesorios o almacenar la herramienta eléctrica.** Estas medidas de seguridad preventivas reducen el riesgo de encender la herramienta eléctrica en forma accidental.
- d) **Guarde la herramienta eléctrica que no esté en uso fuera del alcance de los niños y no permita que otras personas no familiarizadas con ella o con estas instrucciones operen la herramienta.** Las herramientas eléctricas son peligrosas si son operadas por usuarios no capacitados.
- e) **Realice el mantenimiento de las herramientas eléctricas. Revise que no haya piezas en movimiento mal alineadas o trabadas, piezas rotas o cualquier otra situación que pueda afectar el funcionamiento de la herramienta eléctrica. Si encuentra daños, haga reparar la herramienta eléctrica antes de utilizarla.** Se producen muchos accidentes a causa de las herramientas eléctricas que carecen de un mantenimiento adecuado.
- f) **Mantenga las herramientas de corte afiladas y limpias.** Las herramientas de corte con mantenimiento adecuado y con los bordes de corte afilados son menos propensas a trabarse y son más fáciles de controlar.
- g) **Utilice la herramienta eléctrica, los accesorios y las brocas de la herramienta, etc. de acuerdo con estas instrucciones y teniendo en cuenta las condiciones de trabajo y el trabajo que debe realizarse.** El uso de la herramienta eléctrica para operaciones diferentes de aquéllas para las que fue diseñada podría originar una situación peligrosa.

5) MANTENIMIENTO

- a) **Solicite a una persona calificada en reparaciones que realice el mantenimiento de su herramienta eléctrica y que sólo utilice piezas de repuesto idénticas.** Esto garantizará la seguridad de la herramienta eléctrica.

Normas de seguridad adicionales para cizallas

- Sostenga la herramienta por las superficies de agarre aisladas cuando realice una operación en que la herramienta de corte pueda tocar cables eléctricos escondidos o su propio cable.** El contacto con un cable con corriente eléctrica hará que las partes expuestas de la herramienta tengan corriente y que el operador reciba una descarga eléctrica.
- Corte el material a la capacidad nominal o por debajo de ésta. Recuerde que el grosor del material incrementa a medida que disminuye el número de calibre (el calibre 14 es más grueso que el calibre 16). El grosor del calibre 14 es de 1,9 mm (0,075"); el del calibre 16 es de 1,5 mm (0,060").**
- NUNCA se ubique de modo que alguna parte del cuerpo esté cerca de las hojas.** Podría causar lesiones personales graves.
- Mantenga las manos lejos de las zonas de corte.** Un momento de descuido mientras se opera una herramienta eléctrica podría provocar daños personales graves.
- SIEMPRE utilice guantes de protección cuando maneje láminas de metal.** Los bordes son filosos y pueden producir lesiones personales graves.
- Sujete con firmeza la pieza de metal que desee cortar** para evitar movimientos durante el corte.
- SIEMPRE encienda la herramienta antes de tocar el material** que se va a cortar.
- SIEMPRE use la herramienta con el deflector de rizos.**
- Si es posible, corte el material de modo que los rizos de descarte caigan hacia la derecha.** De esta forma, caerán y no obstruirán el camino.
- Use las cizallas en posición vertical.** Si la herramienta está hacia abajo, los rizos de metal podrían caer en dirección a usted.
- NO use las cizallas con ningún accesorio ni dispositivo.**
- Siempre use calzado de seguridad** para proteger sus pies de los desechos de metal afilado en el piso.
- Mantenga ajustados todos los tornillos.** Revise el ajuste de la herramienta periódicamente.
- No coloque ningún objeto en las aberturas del alojamiento del motor.**
- Limpie su herramienta con frecuencia, especialmente después de un uso intensivo.** A menudo se acumulan sobre las superficies interiores polvo y suciedad que contienen partículas metálicas, que pueden provocar riesgo de descarga eléctrica.
- Manténgase alejado de las piezas que puedan caerse después de realizar cortes.** El contacto con un borde filoso puede provocar lesiones personales.
- Mantenga siempre el cable eléctrico lejos del borde del material que va a cortar.** Los bordes filosos pueden cortar el aislamiento del cable. Esta situación podría provocar un riesgo de descarga eléctrica.
- Los orificios de ventilación suelen cubrir piezas en movimiento, por lo que también se deben evitar.** Las piezas en movimiento pueden atrapar prendas de vestir sueltas, joyas o el cabello largo.
- El cable de extensión deben ser de un calibre apropiado para su seguridad.** Mientras menor sea el calibre del hilo, mayor la capacidad del cable. Es decir, un hilo calibre 16 tiene mayor capacidad que uno de 18. Un cable de un calibre insuficiente causará una caída en la tensión de la línea dando por resultado una pérdida de energía y sobrecalentamiento. Cuando se utilice más de un alargador para completar el largo total, asegúrese que los hilos de cada alargador tengan el calibre mínimo. La tabla siguiente muestra el tamaño correcto a utilizar, dependiendo de la longitud del cable y del amperaje nominal de la placa de identificación. Si tiene dudas sobre cuál calibre usar, use un calibre mayor. Cuanto más pequeño sea el número del calibre, más resistente será el cable.

Calibre mínimo para cables de alimentación						
Amperaje		Volttios	Largo total del cordón en metros (pies)			
		120 V	7,6 (25)	15,2 (50)	30,5 (100)	45,7 (150)
		240 V	15,2 (50)	30,5 (100)	61,0 (200)	91,4 (300)
Más de	No más de	AWG				
0	6		18	16	16	14
6	10		18	16	14	12
10	12		16	16	14	12
12	16		14	12	No recomendado	

⚠ADVERTENCIA: Use **SIEMPRE** lentes de seguridad. Los anteojos de diario **NO SON** lentes de seguridad. Utilice además una cubrebocas o mascarilla antipolvo si la operación de corte genera demasiado polvo. SIEMPRE LLEVE EQUIPO DE SEGURIDAD CERTIFICADO:

- Protección ocular ANSI Z87.1 (CAN/CSA Z94.3),
- Protección auditiva ANSI S12.6 (S3.19),
- Protección respiratoria NIOSH/OSHA/MSHA.

⚠ADVERTENCIA: Algunas partículas de polvo generadas al lijar, serrar, esmerilar y taladrar con herramientas eléctricas, así como al realizar otras actividades de construcción, contienen químicos que el Estado de California sabe que pueden producir cáncer, defectos congénitos u otras afecciones reproductivas. Ejemplos de estos químicos son:

- plomo de algunas pinturas en base a plomo,
- polvo de sílice proveniente de ladrillos y cemento y otros productos de albañilería, y
- arsénico y cromo provenientes de madera tratada químicamente.

Su riesgo de exposición a estos químicos varía, dependiendo de la frecuencia con la cual realiza usted este tipo de trabajo. Para reducir su exposición a estas sustancias químicas: trabaje en una zona bien ventilada y llevando equipos de seguridad aprobados, como mascarillas antipolvo especialmente diseñadas para filtrar partículas microscópicas.

- Evite el contacto prolongado con polvo generado por el lijado, aserrado, pulido, taladrado y otras actividades de construcción. Vista ropas protectoras y lave las áreas de la piel expuestas con agua y jabón.** Si permite que el polvo se introduzca en la boca u ojos o quede sobre la piel, puede favorecer la absorción de productos químicos peligrosos.

⚠ADVERTENCIA: La utilización de esta herramienta puede generar polvo o dispersarlo, lo que podría causar daños graves y permanentes al sistema respiratorio, así como otras lesiones. Siempre use protección respiratoria aprobada por NIOSH (Instituto Nacional de Seguridad y Salud en el Trabajo) u OSHA (Administración de Seguridad y Salud en el Trabajo) apropiada para la exposición al polvo. Dirija las partículas en dirección contraria a la cara y el cuerpo.

⚠ADVERTENCIA: Siempre lleve la debida protección auditiva personal en conformidad con ANSI S12.6 (S3.19) durante el uso de esta herramienta. Bajo algunas condiciones y duraciones de uso, el ruido producido por este producto puede contribuir a la pérdida auditiva.

- La etiqueta de su herramienta puede incluir los siguientes símbolos. A continuación se indican los símbolos y sus definiciones:

V.....voltios	A.....amperios
Hz.....hertz	W.....vatios
minminutos	~ o AC.....corriente alterna
=== o DC....corriente directa	⎓ o AC/DCcorriente alterna o directa
Ⓜ.....Construcción de Clase I (tierra)	n ₀velocidad sin carga
Ⓜ.....Construcción de Clase II (doble aislamiento)	n.....velocidad nominal
.../minpor minuto	⊕terminal de conexión a tierra
IPMimpactos por minuto	⚠.....símbolo de advertencia de seguridad
sfp _mpies de superficie por minuto	BPM.....golpes por minuto
SPM.....pasadas por minuto	RPM.....revoluciones por minuto

GUARDE ESTAS INSTRUCCIONES PARA FUTURAS CONSULTAS

Motor

Asegúrese de que la fuente de energía concuerde con lo que se indica en la placa. Un descenso en el voltaje de más del 10% producirá una pérdida de potencia y sobrecalentamiento. Todas las herramientas DEWALT son probadas en fábrica; si esta herramienta no funciona, verifique el suministro eléctrico.

COMPONENTES (Fig. 1)

- A. Interruptor disparador/interruptor de velocidad variable
- B. Cizalla de cabezal giratorio
- C. Botón de control de bloqueo
- D. Hoja

Interruptor de velocidad variable (Fig. 1)

Para encender la herramienta, oprima el interruptor disparador (A). Para apagar la herramienta, suelte el disparador.

La herramienta viene con un interruptor de velocidad variable que le permite seleccionar la mejor velocidad para una aplicación en particular. Cuanto mayor sea la presión sobre el disparador, más rápido será el funcionamiento de la herramienta. Utilice velocidades menores para cortar curvas cerradas o para seguir una directriz precisa. Las velocidades más altas son mejores para las curvas graduales y los cortes de líneas rectas. Para que la vida útil de la herramienta rinda al máximo, utilice velocidades menores sólo durante períodos cortos.

Botón de bloqueo (Figs. 1, 2)

⚠ADVERTENCIA: Para reducir el riesgo de lesiones personales graves, asegúrese de soltar el botón de bloqueo del interruptor antes de desconectar el enchufe de la fuente de alimentación. De no hacerlo, la herramienta arrancará inmediatamente la próxima vez que la enchufe. Podría ocasionar un daño o una lesión personal.

Si desea bloquear el disparador en la posición de encendido para su operación continua, oprima el disparador, empuje el botón de bloqueo y suelte lentamente el disparador.

Para liberar el mecanismo de bloqueo, oprima el disparador hasta el fondo y luego suéltelo. Antes de usar la herramienta (cada vez), asegúrese de que el mecanismo de liberación del botón de bloqueo funcione correctamente.

FUNCIONAMIENTO

⚠ADVERTENCIA: Para reducir el riesgo de lesiones personales graves, apague la herramienta y desconéctela de la fuente de alimentación antes de instalar y retirar accesorios, ajustar o cambiar configuraciones o realizar reparaciones. Un arranque accidental podría causar lesiones.

Para un trabajo preciso, siempre sujete o amarre el material que cortará. Alinee un borde de la hoja del medio de la herramienta con la línea de corte y haga que las hojas avancen hacia el material sin esfuerzo forzado o presión innecesaria. Un poco de práctica le permitirá determinar qué presión hacia delante le da el corte más parejo. Es importante mantener las superficies más bajas del material que se corta en forma plana sobre las hojas laterales (Fig. 5). Cuando corte curvas, no incline la herramienta; mantenga las hojas laterales planas y niveladas. El cabezal de la cizalla girará para ofrecer un mejor acceso al material. Para tener una mejor eficiencia de corte, mantenga las hojas afiladas.

Armado y desarmado

Para extraer el cabezal de cizalla del motor, afloje tres tornillos de cabeza (E) con la llave hexagonal (F) que se suministra. Retire el cabezal de cizalla (B) tirando de este con firmeza hacia adelante. Quizá deba hacer un pequeño movimiento giratorio si el cabezal no sale con facilidad.

Para extraer las hojas de corte del cabezal de cizalla, retire los tres tornillos de cabeza (E) de la cubierta del cabezal (G). Tenga cuidado de no perder el casquillo del espaciador trasero cuando retire el tornillo de cabeza del medio. Retire la hoja central (H) de la cubierta golpeando suavemente la hoja hacia la parte trasera. Las cuchillas laterales (I) y los espaciadores laterales (J) se separarán de la cubierta.

Para extraer el ensamblaje de rodamientos excéntricos del eje, utilice una llave adecuada para aflojar la tuerca excéntrica (K) girándola en sentido contrario a las agujas del reloj.

Para instalar el ensamblaje de rodamientos excéntricos en el eje, asegúrese de que la arandela grande y delgada (L) se introduzca primero en el eje. Atornille el ensamblaje de rodamientos excéntricos en el eje y ajuste con la llave adecuada. Lubrique los rodamientos (N) con grasa para rodamientos de buena calidad.

Para instalar las hojas de la cortadora en el alojamiento de la cizalla, coloque las cuchillas laterales (I) y los espaciadores laterales (J) en su lugar dentro del alojamiento de la cizalla (H). Introduzca el tornillo de cabeza central a través de la cuchilla lateral y el espaciador lateral con un casquillo espaciador trasero entre ellos. Enrosque el tornillo de cabeza sólo lo suficiente para sostener las hojas en su lugar. NO LOS APRIETE. Inserte el casquillo del espaciador en el orificio en la hoja central y lubrique. Instale la hoja central en la cubierta de la cizalla golpeando suavemente

la hoja hacia adelante utilizando un pasador cónico para alinear el orificio de la hoja central con los orificios delanteros de la cubierta. Inserte y apriete el tornillo de cabeza delantero asegurándose de que el casquillo del espaciador de la hoja central permanezca en su lugar. Aplique grasa de buena calidad para rodamientos a la horquilla o brida en la hoja central donde gira en el ensamblaje de los rodamientos excéntricos. Introduzca el tornillo de cabeza trasero en la cubierta de la cizalla pero no lo apriete totalmente.

Para instalar el ensamblaje del cabezal de la cizalla en el motor de accionamiento, asegúrese de que todos los tornillos de cabeza estén flojos aproximadamente de 3 a 4 vueltas enteras. Coloque el cabezal de cizalla en la unidad y en forma alternada apriete bien los tornillos de cabeza para fijar el ensamblaje del cabezal en su lugar. Quizá sea necesario golpear suavemente el cabezal de la cizalla en el lugar si no se desliza con facilidad en la punta de la unidad motriz.

Ajuste (Figs. 5, 6)

CABEZAL GIRATORIO

Para adecuar mejor el corte de seguridad en cualquier ángulo, el cabezal de la cizalla se puede reposicionar aflojando los tres tornillos de cabeza.

Una vez que afloje los tornillos, gire el cabezal de la cizalla al ángulo deseado. Reajuste los tres tornillos de cabeza antes de instalar el paquete de baterías.

Para ajustar la viruta del material de desecho, la cuchilla izquierda tiene orificios alargados. Quizá sea necesario realizar un ajuste después del cambio de las hojas o del corte de materiales. Afloje los tornillos de cabeza y golpee la cuchilla lateral para delante o para atrás para que la viruta de desechos no golpee la cubierta de la cizalla o el material de corte mientras corta.

MANTENIMIENTO

▲ADVERTENCIA: Para reducir el riesgo de lesiones personales graves, apague la herramienta y desconéctela de la fuente de alimentación antes de instalar y retirar accesorios, ajustar o cambiar configuraciones o realizar reparaciones. Un arranque accidental podría causar lesiones.

Limpieza

▲ADVERTENCIA: *Sople la suciedad y el polvo de todos los conductos de ventilación con aire seco, al menos una vez por semana. Para reducir el riesgo de lesiones, utilice siempre protección para los ojos aprobada ANSI Z87.1 al realizar esta tarea.*

▲ADVERTENCIA: *Nunca utilice solventes ni otros químicos abrasivos para limpiar las piezas no metálicas de la herramienta. Estos productos químicos pueden debilitar los materiales plásticos utilizados en estas piezas. Utilice un paño humedecido sólo con agua y jabón neutro. Nunca permita que penetre líquido dentro de la herramienta ni sumerja ninguna de las piezas en un líquido.*

Lubricación

Todos los rodamientos de bolas están lubricados en fábrica y durarán lo que dure la herramienta. Todos los rodamientos de manguito y de agujas son lubricados por la grasa de la caja de engranajes. Limpie y vuelva a lubricar la caja de engranajes todos los años o siempre que el mantenimiento requerido exija la extracción de la caja de engranajes. Use el tipo y la cantidad de grasa que se muestra en el manual de las piezas incluido con su herramienta.

Accesorios

▲ADVERTENCIA: *Debido a que no se han probado con este producto otros accesorios que no sean los que ofrece DEWALT, el uso de dichos accesorios con esta herramienta podría ser peligroso. Para reducir el riesgo de lesiones, con este producto deben usarse sólo los accesorios recomendados por DEWALT.*

Los accesorios que se recomiendan para utilizar con la herramienta están disponibles a un costo adicional en su distribuidor local o en un centro de mantenimiento autorizado. Si necesita ayuda para localizar algún accesorio, póngase en contacto con DEWALT Industrial Tool Co., 701 East Joppa Road, Baltimore, MD 21286, llame al 1-800-4-DEWALT (1-800-433-9258) o visite nuestro sitio Web: www.dewalt.com.

Reparaciones

Para asegurar la SEGURIDAD y la CONFIABILIDAD del producto, las reparaciones, el mantenimiento y los ajustes deben (inclusive inspección y cambio de carbones) ser realizados en un centro de mantenimiento en la fábrica DEWALT, en un centro de mantenimiento autorizado DEWALT u por otro personal de mantenimiento calificado. Utilice siempre piezas de repuesto idénticas.

PARA REPARACIÓN Y SERVICIO DE SUS HERRAMIENTAS ELÉCTRICAS, FAVOR DE DIRIGIRSE AL CENTRO DE SERVICIO MÁS CERCAÑO

CULIACAN, SIN

Blvd.Emiliano Zapata 5400-1 Poniente

Col. San Rafael

(667) 717 89 99

GUADALAJARA, JAL

Av. La Paz #1779 - Col. Americana Sector Juárez

(33) 3825 6978

MEXICO, D.F.

Eje Central Lázaro Cárdenas No. 18

Local D, Col. Obrera

(55) 5588 9377

MERIDA, YUC

Calle 63 #459-A - Col. Centro

(999) 928 5038

MONTERREY, N.L.

Av. Francisco I. Madero 831 Poniente - Col. Centro

(818) 375 23 13

PUEBLA, PUE

17 Norte #205 - Col. Centro

(222) 246 3714

QUERETARO, QRO

Av. San Roque 274 - Col. San Gregorio

(442) 2 17 63 14

SAN LUIS POTOSI, SLP

Av. Universidad 1525 - Col. San Luis

(444) 814 2383

TORREON, COAH

Blvd. Independencia, 96 Pte. - Col. Centro

(871) 716 5265

VERACRUZ, VER

Prolongación Díaz Mirón #4280 - Col. Remes

(229) 921 7016

VILLAHERMOSA, TAB

Constitución 516-A - Col. Centro

(993) 312 5111

PARA OTRAS LOCALIDADES:

Si se encuentra en México, por favor llame al (55) 5326 7100

Si se encuentra en U.S., por favor llame al

1-800-433-9258 (1-800 4-DEWALT)

Póliza de Garantía

IDENTIFICACIÓN DEL PRODUCTO:

Sello o firma del Distribuidor.

Nombre del producto: _____ Mod./Cat.: _____

Marca: _____ Núm. de serie: _____

(Datos para ser llenados por el distribuidor)

Fecha de compra y/o entrega del producto: _____

Nombre y domicilio del distribuidor donde se adquirió el producto: _____

Este producto está garantizado por un año a partir de la fecha de entrega, contra cualquier defecto en su funcionamiento, así como en materiales y mano de obra empleados para su fabricación. Nuestra garantía incluye la reparación o reposición del producto y/o componentes sin cargo alguno para el cliente, incluyendo mano de obra, así como los gastos de transportación razonablemente erogados derivados del cumplimiento de este certificado.

Para hacer efectiva esta garantía deberá presentar su herramienta y esta póliza sellada por el establecimiento comercial donde se adquirió el producto, de no contar con ésta, bastará la factura de compra.

EXCEPCIONES

Esta garantía no será válida en los siguientes casos:

- Cuando el producto se hubiese utilizado en condiciones distintas a las normales;
- Cuando el producto no hubiese sido operado de acuerdo con el instructivo de uso que se acompaña;
- Cuando el producto hubiese sido alterado o reparado por personas distintas a las enlistadas al final de este certificado.

Anexo encontrará una relación de sucursales de servicio de fábrica, centros de servicio autorizados y franquiciados en la República Mexicana, donde podrá hacer efectiva su garantía y adquirir partes, refacciones y accesorios originales.

Registro en línea

Gracias por su compra. Registre su producto ahora para:

- SERVICIO EN GARANTÍA:** Si completa esta tarjeta, podrá obtener un servicio en garantía más eficiente, en caso de que exista un problema con su producto.
- CONFIRMATCIÓN DE PROPIEDAD:** En caso de una pérdida que cubra el seguro, como un incendio, una inundación o un robo, el registro de propiedad servirá como comprobante de compra.
- PARA SU SEGURIDAD:** Si registra el producto, podremos comunicarnos con usted en el caso improbable que se deba enviar una notificación de seguridad conforme a la Federal Consumer Safety Act (Ley Federal de Seguridad de Productos para el Consumidor).

Registro en línea en www.dewalt.com/register.

Garantía limitada por tres años

DEWALT reparará, sin cargo, cualquier falla que surja de defectos en el material o la fabricación del producto, por hasta tres años a contar de la fecha de compra. Esta garantía no cubre fallas de las piezas causadas por su desgaste normal o abuso a la herramienta. Para mayores detalles sobre la cobertura de la garantía e información acerca de reparaciones realizadas bajo garantía, visítenos en www.dewalt.com o dirígase al centro de servicio más cercano. Esta garantía no aplica a accesorios o a daños causados por reparaciones realizadas o intentadas por terceros. Esta garantía le otorga derechos legales específicos, además de los cuales puede tener otros dependiendo del estado o la provincia en que se encuentre.

Además de la garantía, las herramientas DEWALT están cubiertas por:

1 AÑO DE SERVICIO GRATUITO

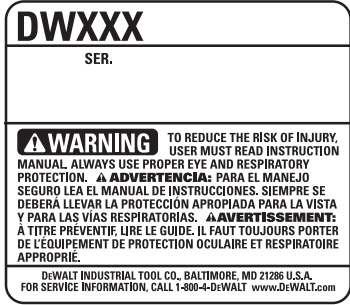
DEWALT mantendrá la herramienta y reemplazará las piezas gastadas por su uso normal, sin cobro, en cualquier momento durante un año a contar de la fecha de compra. Los artículos gastados por la clavadora, tales como la unidad de hoja y retorno del impulsador, no están cubiertas.

GARANTÍA DE REEMBOLSO DE SU DINERO POR 90 DÍAS

Si no está completamente satisfecho con el desempeño de su máquina herramienta, láser o clavadora DEWALT, cualquiera sea el motivo, podrá devolverlo hasta 90 días de la fecha de compra con su recibo y obtener el reembolso completo de su dinero – sin necesidad de responder a ninguna pregunta.

AMÉRICA LATINA: Esta garantía no se aplica a los productos que se venden en América Latina. Para los productos que se venden en América Latina, debe consultar la información de la garantía específica del país que viene en el empaque, llamar a la compañía local o visitar el sitio Web a fin de obtener esa información.

REEMPLAZO GRATUITO DE LAS ETIQUETAS DE ADVERTENCIAS: Si sus etiquetas de advertencia se vuelven ilegibles o faltan, llame al 1-800-4-DEWALT (1-800-433-9258) para que se le reemplacen gratuitamente.



SOLAMENTE PARA PROPÓSITO DE MÉXICO:
IMPORTADO POR: DEWALT INDUSTRIAL TOOL CO. S.A. DE C.V.
AVENIDA ANTONIO DOVALI JAIME, # 70 TORRE B PISO 9
COLONIA LA FE, SANTA FÉ
CÓDIGO POSTAL : 01210
DELEGACIÓN ALVARO OBREGÓN
MÉXICO D.F.
TEL. (52) 555-326-7100
R.F.C.: BDE810626-1W7

**Para servicio y ventas consulte
"HERRAMIENTAS ELÉCTRICAS"
en la sección amarilla.**



Especificaciones

DW890, DW891

Tensión de alimentación: 120 V AC ~

Consumo de corriente: 6,5 A

Frecuencia de alimentación: 60 Hz

Potencia nominal: 550 W

Rotación sin carga: 0-2 500/min