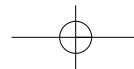


**INSTRUCTION MANUAL
GUIDE D'UTILISATION
MANUAL DE INSTRUCCIONES**

INSTRUCTIVO DE OPERACIÓN, CENTROS DE SERVICIO Y PÓLIZA DE GARANTÍA. **ADVERTENCIA:** LÉASE ESTE INSTRUCTIVO ANTES DE USAR EL PRODUCTO.

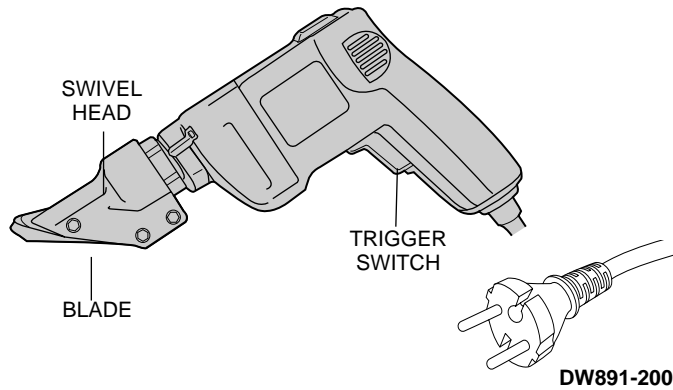
DEWALT®

**DW890, DW891, DW891-220
Swivel Head Shears
Cisaille à tête pivotante
Cizalla con cabeza giratoria**



English

IF YOU HAVE ANY QUESTIONS OR COMMENTS ABOUT THIS OR ANY DEWALT TOOL, CALL US TOLL FREE AT:
1-800-4-DEWALT (1-800-433-9258)



DEWALT... BUILT JOBSITE TOUGH

DeWalt high performance industrial tools are made for America's toughest industrial and construction applications. The design of every tool in the line—from drills to sanders to grinders—is the result of rigorous use on jobsites and throughout industry. Each tool is produced with painstaking precision using advanced manufacturing systems and intense quality control. Every tool is checked before it leaves the factory to make sure that it meets your standards for durability, reliability and power.

DEWALT

Built Jobsite Tough...WE GUARANTEE IT.

Important Safety Instructions

⚠ WARNING: When using electric tools, basic safety precautions should always be followed to reduce risk of fire, electric shock, and personal injury, including the following:

READ ALL INSTRUCTIONS

Double Insulation

Double insulated tools are constructed throughout with two separate layers of electrical insulation or one double thickness of insulation between you and the tool's electrical system. Tools built with this insulation system are not intended to be grounded. As a result, your tool is equipped with a two prong plug which permits you to use extension cords without concern for maintaining a ground connection.

NOTE: Double insulation does not take the place of normal safety precautions when operating this tool. The insulation system is for added protection against injury resulting from a possible electrical insulation failure within the tool.

⚠ CAUTION: WHEN SERVICING USE ONLY IDENTICAL REPLACEMENT PARTS. Repair or replace damaged cords.

Polarized Plugs(DW890, DW891)

Polarized plugs (one blade is wider than the other) are used on equipment to reduce the risk of electric shock. When provided, this plug will fit into a polarized outlet only one way. If the plug does not fit fully into the outlet, reverse the plug. If it still does not fit, contact a qualified electrician to install the proper outlet. Do not change the plug in any way.

Safety Instructions For All Tools

- **KEEP WORK AREA CLEAN.** Cluttered areas and benches invite injuries.
- **CONSIDER WORK AREA ENVIRONMENT.** Don't expose power

tools to rain. Don't use power tools in damp or wet locations. Keep work area well lit. Do not use tool in presence of flammable liquids or gases.

- **GUARD AGAINST ELECTRIC SHOCK.** Prevent body contact with grounded surfaces. For example; pipes, radiators, ranges, and refrigerator enclosures.
- **KEEP CHILDREN AWAY.** Do not let visitors contact tool or extension cord. All visitors should be kept away from work area.
- **STORE IDLE TOOLS.** When not in use, tools should be stored in dry, and high or locked-up place — out of reach of children.
- **DON'T FORCE TOOL.** It will do the job better and safer at the rate for which it was intended.
- **USE RIGHT TOOL.** Don't force small tool or attachment to do the job of a heavy-duty tool. Don't use tool for purpose not intended.
- **DRESS PROPERLY.** Do not wear loose clothing or jewelry. They can be caught in moving parts. Rubber gloves and non-skid footwear are recommended when working outdoors. Wear protective hair covering to contain long hair.
- **USE SAFETY GLASSES.** Also use face or dust mask if operation is dusty.
- **DON'T ABUSE CORD.** Never carry tool by cord or yank it to disconnect from receptacle. Keep cord from heat, oil, and sharp edges.
- **SECURE WORK.** Use clamps or a vise to hold work. It's safer than using your hand and it frees both hands to operate tool.
- **DON'T OVERREACH.** Keep proper footing and balance at all times.
- **MAINTAIN TOOLS WITH CARE.** Keep tools sharp and clean for better and safer performance. Follow instructions for lubricating and changing accessories. Inspect tool cords periodically and if damaged, have repaired by authorized service facility. Inspect extension cords periodically and replace if damaged. Keep handles dry, clean, and free from oil and grease.

- **DISCONNECT OR LOCK OFF TOOLS** when not in use, before servicing, and when changing accessories, such as blades, bits, cutters.
- **REMOVE ADJUSTING KEYS AND WRENCHES.** Form habit of checking to see that keys and adjusting wrenches are removed from tool before turning it on.
- **AVOID UNINTENTIONAL STARTING.** Don't carry tool with finger on switch. Be sure switch is off when plugging in.
- **EXTENSION CORDS.** Make sure your extension cord is in good condition. When using an extension cord, be sure to use one heavy enough to carry the current your product will draw. An undersized cord will cause a drop in line voltage resulting in loss of power and overheating. The following table shows the correct size to use depending on cord length and nameplate ampere rating. If in doubt, use the next heavier gage. The smaller the gage number, the heavier the cord.

Recommended Minimum Wire Size for Extension Cords

| Total Length of Cord | | | | | | |
|----------------------|--------|--------|---------|---------|---------|---------|
| 25 ft. | 50 ft. | 75 ft. | 100 ft. | 125 ft. | 150 ft. | 175 ft. |
| 7.6 m | 15.2 m | 22.9 m | 30.5 m | 38.1 m | 45.7 m | 53.3 m |
| Wire Size | | | | | | |
| 18 AWG | 18 AWG | 16 AWG | 16 AWG | 14 AWG | 14 AWG | 12 AWG |

- **OUTDOOR USE EXTENSION CORDS.** When tool is used outdoors, use only extension cords intended for use outdoors and so marked.
- **STAY ALERT.** Watch what you are doing. Use common sense. Do not operate tool when you are tired.
- **CHECK DAMAGED PARTS.** Before further use of the tool, a guard or other part that is damaged should be carefully checked to determine that it will operate properly and perform its intended function. Check for alignment of moving parts, binding of moving parts, breakage of parts, mounting, and any other conditions that may affect its operation. A guard or other part that is damaged

English

should be properly repaired or replaced by an authorized service center unless otherwise indicated elsewhere in this instruction manual. Have defective switches replaced by authorized service center. Do not use tool if switch does not turn it on and off.

- **⚠ CAUTION:** When cutting into walls, floors or wherever live electrical wires may be encountered, **DO NOT TOUCH ANY METAL PARTS OF THE TOOL!** Hold the tool only by insulated grasping surfaces to prevent electric shock if you saw into a live wire.

⚠ WARNING: Some dust created by power sanding, sawing, grinding, drilling, and other construction activities contains chemicals known to cause cancer, birth defects or other reproductive harm. Some examples of these chemicals are:

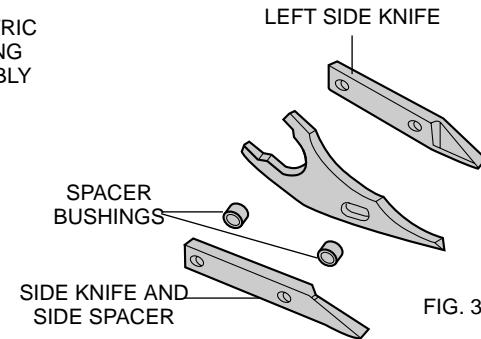
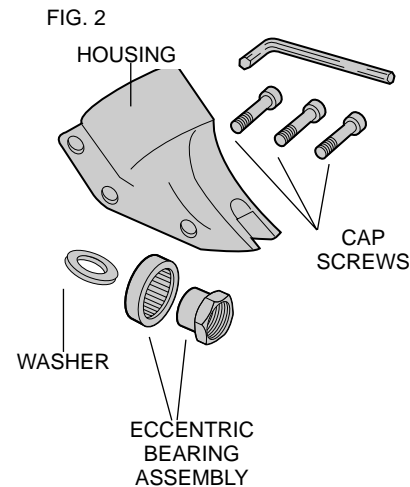
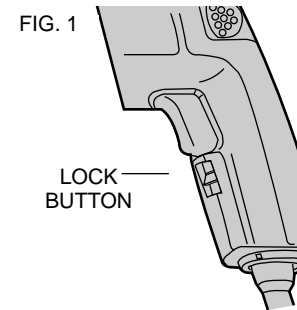
- lead from lead-based paints,
- crystalline silica from bricks and cement and other masonry products, and
- arsenic and chromium from chemically-treated lumber (CCA).

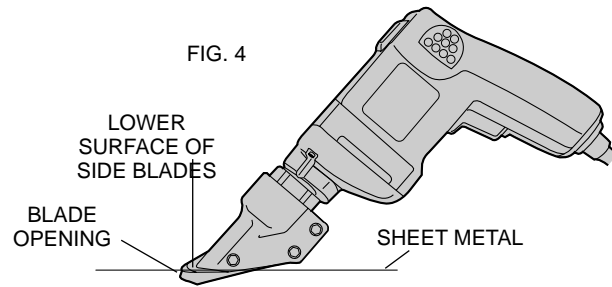
Your risk from these exposures varies, depending on how often you do this type of work. To reduce your exposure to these chemicals: work in a well ventilated area, and work with approved safety equipment, such as those dust masks that are specially designed to filter out microscopic particles.

SAVE THESE INSTRUCTIONS

Motor

Your DeWALT tool is powered by a DeWALT built motor. Be sure your power supply agrees with the nameplate marking. Voltage decrease of more than 10% will cause loss of power and overheating. All DeWALT tools are factory tested; if this tool does not operate, check the power supply. If the nameplate marking on the tool shows 120 volts, 60Hz or "AC Only", (DW890, DW891) your tool must be operated only with alternateing current and never with direct current. A marking of 220/240 volts, 50-60 Hz or "AC Only" (DW891-220)





means your tool must be operated with alternating current never with direct current.

Switch

To start tool, depress trigger switch. To stop tool, release the trigger.

To lock the trigger in the on position for continuous operation, depress trigger, push up the lock button (Figure 1), and gently release the trigger. To release the locking mechanism, depress the trigger fully, then release it. Before using the tool each time, be sure that the lock button release mechanism is working freely. Be sure to release the switch lock button before disconnecting the plug from the power supply. Failure to do so will cause the tool to start immediately the next time it is plugged in. Damage or injury could result. The **variable speed trigger switch** permits speed control. The farther the trigger is depressed, the higher the speed of the shear.

Disassembly and Assembly (Figures 2 and 3)

To remove shear head from motor, loosen 3 cap screws. Remove shear head by pulling head firmly forward. Slight twisting action may be required if head does not slide off easily.

To remove cutter blades from shear head, remove 3 cap screws from shear housing. Be careful not to lose rear spacer bushing when removing middle cap screw. Remove center blade from housing by tapping blade gently towards the rear. Side knife and side spacer will now drop out of the housing.

To remove eccentric bearing assembly from shaft, use an appropriate wrench to loosen eccentric nut by turning counterclockwise.

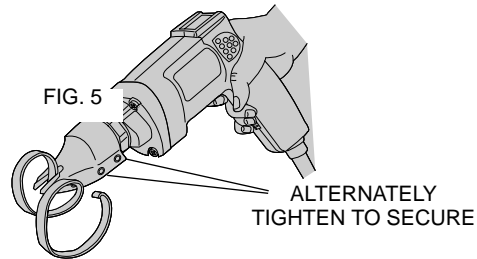
To install eccentric bearing assembly onto shaft, make sure the large thin washer is first inserted over shaft. Screw eccentric bearing assembly onto shaft and tighten with appropriate wrench. Lubricate bearing with a good grade of bearing grease.

To install cutter blades into shear housing, place the side knife and side spacer into position in the shear housing. Insert center cap screw through side knife and side spacer with rear spacer bushing between them. Start cap screw into thread just enough to hold blades in place. DO NOT TIGHTEN. Insert spacer bushing into hole in center blade and lubricate. Install center blade into shear housing by tapping blade gently forward using a drift to line up hole in center blade with forward holes in housing. Insert and tighten forward cap screw making sure spacer bushing in center blade stays in position. Apply good grade of bearing grease to clevis or yoke in center blade where it rides on the eccentric bearing assembly. Insert rear cap screw into shear housing but do not completely tighten.

To install shear head assembly onto drive motor, make sure all cap screws are loosened about 3 or 4 complete turns. Place shear head onto unit and alternately tighten cap screws snugly to lock head assembly in place. It may be necessary to gently tap the shear head into place if it does not readily slip onto the nose of the power unit.

Operation

For accurate work, always clamp or anchor the material to be cut.



Line up one edge of the tool's middle blade with the cutting line and advance blades into the material without forced effort or unnecessary pressure. A little practice will enable you to determine what forward pressure gives you the smoothest cutting. It is important to keep the lower surfaces of the side blades flat on the material being cut (Figure 4). When cutting curves, do not tilt the tool; keep the side blades flat and level. For best cutting efficiency, keep blades sharp. Wear gloves when handling sheet metal. The edges are sharp and can cause injury.

CAUTION: Do not use the shear with any kind of accessory or attachment. Such usage might be hazardous.

Adjustment (Figure 5)

To adjust the curl of waste material, the left side knife has elongated holes. Adjustment may be necessary after changing blades or material being cut. Loosen cap screws and tap side knife either forward or backward so that curl of waste does not hit shear housing or work material while cutting.

Lubrication

All ball bearings are factory lubricated to last the life of the tool. All sleeve and needle bearings receive their lubrication from grease in the gear case. Clean and re-lubricate gear case yearly or whenever

servicing requires the gear case to be removed. Use type and quantity of grease shown on the parts bulletin packed with your tool.

Accessories

Recommended accessories for use with your tool are available at extra cost from your distributor or local service center.

CAUTION: The use of any non-recommended accessory may be hazardous.

Important

To assure product SAFETY and RELIABILITY, repairs, maintenance and adjustment (including brush inspection and replacement) should be performed by authorized service centers or other qualified service organizations, always using identical replacement parts.

Full Warranty

D_EWALT heavy duty industrial tools are warranted for one year from date of purchase. We will repair, without charge, any defects due to faulty materials or workmanship. For warranty repair information, call 1-800-4-D_EWALT. This warranty does not apply to accessories or damage caused where repairs have been made or attempted by others. This warranty gives you specific legal rights and you may have other rights which vary in certain states or provinces.

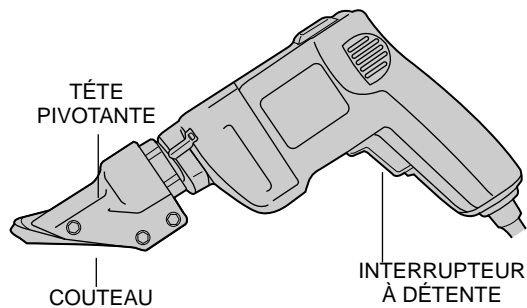
In addition to the warranty, D_EWALT tools are covered by our:

30 DAY NO RISK SATISFACTION GUARANTEE

If you are not completely satisfied with the performance of your D_EWALT heavy duty industrial tool, simply return it to the participating seller within 30 days for a full refund. Please return the complete unit, transportation prepaid. Proof of purchase may be required.

POUR TOUT RENSEIGNEMENT SUPPLÉMENTAIRE SUR CET OUTIL OU TOUT AUTRE OUTIL DEWALT, COMPOSER SANS FRAIS LE NUMÉRO:

1 800 4-DEWALT (1 800 433-9258)



IMPORTANTES MESURES DE SÉCURITÉ (POUR TOUS LES OUTILS)

⚠ AVERTISSEMENT : Afin de réduire les risques d'incendie, de secousses électriques ou de blessures lorsqu'on utilise des outils électriques, il faut toujours respecter les mesures de sécurité suivantes.

Double isolation

Les outils à double isolation comportent deux couches distinctes d'isolant électrique ou une double épaisseur d'isolant qui protègent l'utilisateur contre les risques de blessures provenant du système électrique de l'outil.

Ce système de double isolation élimine le besoin de mettre les outils à la terre. En effet, l'outil est muni d'une fiche à deux broches, ce qui permet d'utiliser une rallonge ordinaire sans avoir à se soucier d'assurer la mise à la terre.

NOTE : La double isolation ne dispense pas des mesures de sécurité normales lors de l'utilisation de l'outil. Elle vise à procurer une protection supplémentaire contre les blessures que peut entraîner une défectuosité de l'isolant électrique à l'intérieur de l'outil.

⚠ MISE EN GARDE : Lors de l'entretien, N'UTILISER QUE DES PIÈCES DE RECHANGE IDENTIQUES. Réparer ou remplacer les cordons endommagés.

Fiche polarisée(DW890, DW891)

Afin de réduire les risques de secousses électriques, l'outil est muni d'une fiche polarisée (une lame plus large que l'autre). Ce genre de fiche n'entre que d'une façon dans une prise polarisée. Lorsqu'on ne peut insérer la fiche à fond dans la prise, il faut tenter de le faire après avoir inversé les lames de côté. Si la fiche n'entre toujours

pas dans la prise, il faut communiquer avec un électricien certifié afin qu'il installe une prise appropriée. Il ne faut en aucun cas modifier la fiche.

LIRE TOUTES LES DIRECTIVES.

- **BIEN DÉGAGER LA SURFACE DE TRAVAIL.** Des surfaces et des établis encombrés peuvent être la cause de blessures.
- **TENIR COMPTE DU MILIEU DE TRAVAIL.** Protéger les outils électriques de la pluie. Ne pas s'en servir dans des endroits humides ou mouillés. Bien éclairer la surface de travail.
- **SE PROTÉGER CONTRE LES SECOURS ÉLECTRIQUES.** Éviter tout contact avec des objets mis à la terre, comme des tuyaux, radiateurs, cuisinières, réfrigérateurs et autres objets du genre.
- **ÉLOIGNER LES ENFANTS.** Tous les visiteurs doivent être tenus à l'écart de l'aire de travail et il faut les empêcher de toucher à l'outil ou au cordon de rallonge.
- **RANGER LES OUTILS INUTILISÉS.** Il faut ranger les outils dans un endroit sec, situé en hauteur ou fermé à clé, hors de la portée des enfants.
- **NE JAMAIS FORCER L'OUTIL.** Afin d'obtenir un rendement sûr et efficace, utiliser l'outil à son rendement nominal.
- **UTILISER L'OUTIL APPROPRIÉ.** Ne jamais exiger d'un petit outil ou d'un accessoire le rendement d'un outil de fabrication plus robuste. Se servir de l'outil selon l'usage prévu (par exemple, ne pas se servir d'une scie circulaire pour couper des branches d'arbres ou des bûches).
- **PORTER DES VÊTEMENTS APPROPRIÉS.** Éviter de porter des vêtements amples et des bijoux qui peuvent être happés par les pièces en mouvement. Porter des gants de caoutchouc et des chaussures à semelle antidérapante pour travailler à l'extérieur. Protéger la chevelure si elle est longue.
- **PORTER DES LUNETTES DE SÉCURITÉ.** Porter également un masque respiratoire si le travail de coupe produit de la poussière.
- **NE PAS MANIPULER LE CORDON DE FAÇON ABUSIVE.** Ne

pas transporter l'outil par le cordon ni tirer sur ce dernier pour le débrancher de la prise. Éloigner le cordon des sources de chaleur, des flaques d'huile et des arêtes tranchantes.

- **ASSUJETTIR LA PIÈCE.** Immobiliser la pièce à l'aide de brides ou d'un étau. On peut alors se servir des deux mains pour faire fonctionner l'outil, ce qui est plus sûr.
 - **NE PAS DÉPASSER SA PORTÉE.** Toujours demeurer dans une position stable et garder son équilibre.
 - **PRENDRE SOIN DES OUTILS.** Conserver les outils propres pour qu'ils donnent un rendement supérieur et sûr. Suivre les directives concernant la lubrification et le remplacement des accessoires. Inspecter régulièrement le cordon de l'outil et le faire réparer au besoin à un atelier d'entretien autorisé. Inspecter régulièrement les cordons de rallonge et les remplacer lorsqu'ils sont endommagés. S'assurer que les poignées sont toujours propres, sèches et libres de toute tache d'huile ou de graisse.
 - **DÉBRANCHER LES OUTILS NON UTILISÉS.** Respecter cette mesure lorsqu'on ne se sert pas de l'outil, ou qu'on doit le réparer ou en changer un accessoire (comme une lame, un foret ou un couteau).
 - **ENLEVER LES CLÉS DE RÉGLAGE.** Prendre l'habitude de vérifier si les clés de réglage ont été retirées avant de faire démarrer l'outil.
 - **ÉVITER LES DÉMARRAGES ACCIDENTELS.** Ne pas laisser le doigt sur l'interrupteur lorsqu'on transporte l'outil. S'assurer que l'interrupteur est à la position hors circuit lorsqu'on branche l'outil.
- CORDONS DE RALLONGE PRÉVUS POUR L'EXTÉRIEUR.** Lorsque l'outil est utilisé à l'extérieur, ne se servir que d'un cordon de rallonge conçu pour l'extérieur et portant la mention appropriée.

Calibre minimal des cordons de rallonge

| Longueur totale du cordon | | | | | | |
|---------------------------|--------|--------|---------|---------|---------|---------|
| 25 ft. | 50 ft. | 75 ft. | 100 ft. | 125 ft. | 150 ft. | 175 ft. |
| 7,6 m | 15,2 m | 22,9 m | 30,5 m | 38,1 m | 45,7 m | 53,3 m |
| Intensité | | | | | | |
| 18 AWG | 18 AWG | 16 AWG | 16 AWG | 14 AWG | 14 AWG | 12 AWG |

- **DEMEURER VIGILANT.** Travailler avec vigilance et faire preuve de bon sens. Ne pas se servir de l'outil lorsqu'on est fatigué.
- **VÉRIFIER LES PIÈCES ENDOMMAGÉES.** Vérifier l'alignement et les attaches des pièces mobiles, le degré d'usure des pièces et leur montage, ainsi que tout autre facteur susceptible de nuire au bon fonctionnement de l'outil. Faire réparer ou remplacer tout protecteur ou toute autre pièce endommagée dans un centre de service autorisé, sauf si le présent guide fait mention d'un avis contraire. Confier le remplacement de tout interrupteur défectueux à un centre de service autorisé. Ne jamais se servir d'un outil dont l'interrupteur est défectueux.
- **NE PAS UTILISER** les outils portatifs électriques dans des endroits où l'atmosphère contient des vapeurs combustibles ou explosives. Les étincelles que produit le moteur en marche pourraient enflammer ces produits.
- **⚠ MISE EN GARDE :** Lorsqu'on coupe dans les murs, les planchers ou tout autre endroit où peuvent se trouver des fils sous tension, **NE PAS TOUCHER À TOUT COMPOSANT MÉTALLIQUE SE TROUVANT À L'AVANT DE L'OUTIL.** Ne le saisir que par ses surfaces de prise isolées afin de se protéger des secousses électriques.

⚠ AVERTISSEMENT : Certains outils, tels que les sableuses électriques, les scies, les meules, les perceuses ou certains autres outils de construction, peuvent soulever de la poussière contenant des produits chimiques susceptibles d'entraîner le cancer, des malformations congénitales ou pouvant être nocifs pour le système reproductif. Parmi ces produits chimiques, on retrouve :

- le plomb dans les peintures à base de plomb;
- la silice cristalline dans les briques et le ciment et autres produits de maçonnerie;
- l'arsenic et le chrome dans le bois de sciage ayant subi un traitement chimique (CCA).

Le risque associé à de telles expositions peut varier selon la fréquence avec laquelle on effectue ces travaux. Pour réduire l'exposition à de tels produits, il faut travailler dans un endroit bien ventilé et utiliser l'équipement de sécurité approprié tel un masque anti-poussières spécialement conçu pour filtrer les particules microscopiques.

CONSERVER CES MESURES À TITRE DE RÉFÉRENCE.

Moteur

Un moteur DeWALT actionne l'outil DeWALTveiller à ce que la tension d'alimentation soit conforme aux exigences de la plaque signalétique de l'outil.

La mention «volts, 50/60 Hz» ou «c.a. seulement» signifie que l'outil fonctionne uniquement sur une alimentation en courant alternatif, et jamais en courant continu.

Une baisse de tension de plus de 10 p. 100 entraîne une perte de puissance et la surchauffe. Tous les outils DeWALT sont essayés avant de quitter l'usine. Lorsque celui-ci refuse de fonctionner, vérifier la source de courant électrique.

Interrupteur

Enfoncer l'interrupteur à détente pour mettre l'outil en marche. Pour l'arrêter, relâcher la détente.

Pour verrouiller la détente en mode de fonctionnement continu, enfoncer la détente, pousser le bouton de verrouillage vers le haut (fig. 1) et relâcher doucement la détente. Pour dégager le mécanisme de verrouillage, enfoncer à fond la détente et la relâcher. Avant d'utiliser l'outil, toujours s'assurer que le bouton de verrouillage fonctionne librement. Ne pas oublier de dégager le bouton de verrouillage de l'interrupteur avant de débrancher l'outil sinon celui-ci démarrera immédiatement lorsqu'il sera branché. Un tel oubli présente des risques de dommages ou de blessures. L'interrupteur à détente et à régulateur de vitesse permet de maîtriser la vitesse de l'outil. Plus on enfonce la détente, plus la vitesse de la cisaille augmente.

Démontage et montage (Figures 2 et 3)

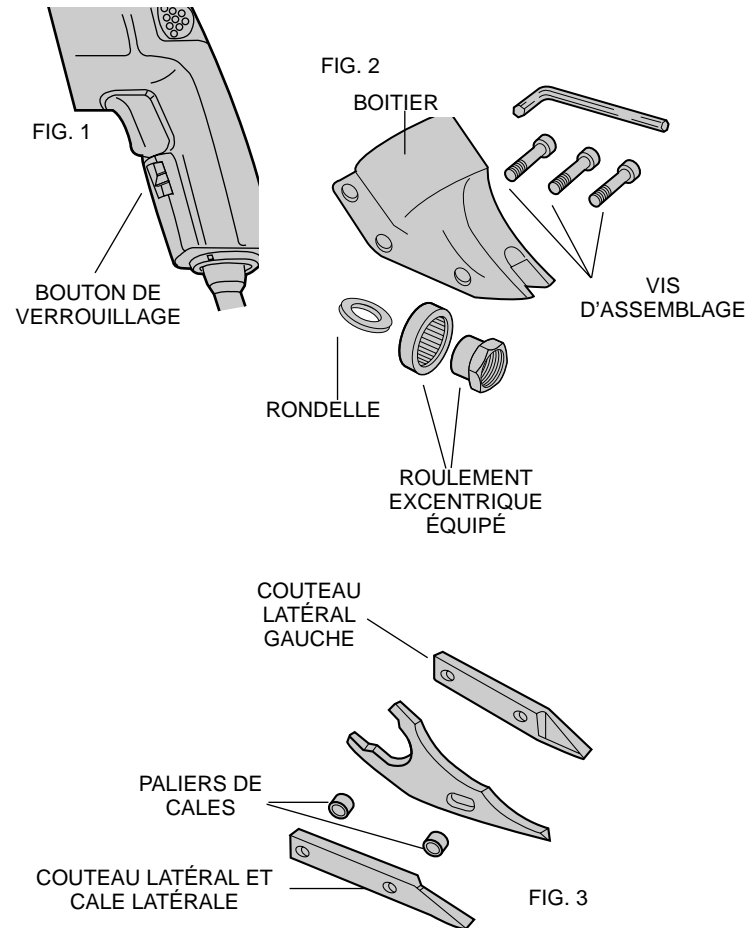
Pour retirer la tête du moteur, desserrer les trois vis d'assemblage. Retirer la tête en la tirant fermement vers l'avant. Il peut être nécessaire de la balancer légèrement si elle ne glisse pas aisément hors du moteur.

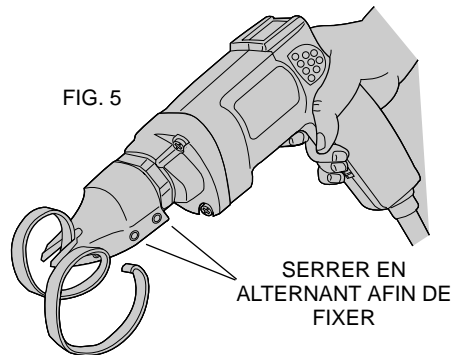
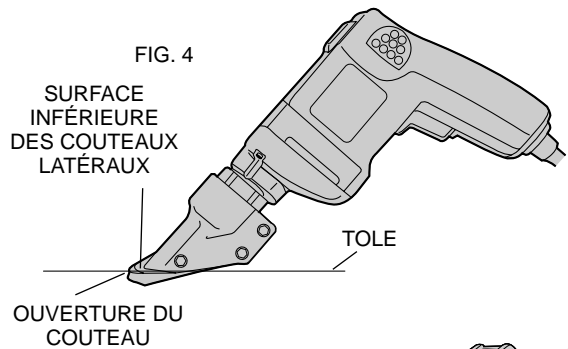
Pour retirer les couteaux de la tête, retirer les trois vis d'assemblage du boîtier de la cisaille. Prendre soin de ne pas perdre le palier de la cale arrière lorsqu'on retire la vis d'assemblage centrale. Enlever le couteau central du boîtier en frappant légèrement le couteau vers l'arrière. Le couteau latéral et la cale latérale tombent ensuite du boîtier.

Pour retirer le roulement excentrique équipé de l'arbre, se servir d'une clé appropriée afin de desserrer l'écrou excentrique en le faisant tourner dans le sens antihoraire.

Pour installer le roulement excentrique équipé sur l'arbre, s'assurer d'insérer d'abord la grosse rondelle mince sur l'arbre. Visser le roulement excentrique équipé sur l'arbre et le serrer à l'aide d'une clé appropriée. Lubrifier le roulement avec de la graisse à roulements de bonne qualité.

Pour installer les couteaux dans le boîtier, placer le couteau





latéral et la cale latérale dans le boîtier. Insérer la vis d'assemblage centrale dans le couteau latéral et la cale latérale en plaçant le palier de la cale arrière entre eux. Serrer à peine la vis d'assemblage afin de retenir les couteaux en place. **NE PAS SERRER.** Insérer le palier de la cale dans le trou du couteau central et le lubrifier. Insérer le couteau central dans le boîtier en frappant légèrement le couteau vers l'avant et en alignant le trou du couteau central sur les trous à l'avant du boîtier. Insérer et serrer la vis d'assemblage avant en s'assurant que le palier de la cale du couteau central reste en place. Enduire la manille ou la chape du couteau central de graisse à roulements de bonne qualité lorsqu'elle repose contre le roulement excentrique équipé. Insérer la vis d'assemblage arrière dans le boîtier mais ne pas la serrer complètement.

Pour installer la tête sur le moteur, s'assurer que toutes les vis d'assemblage sont desserrées d'environ 3 ou 4 tours complets. Placer la tête et serrer les vis d'assemblage en alternant afin de bloquer la tête en place. Il peut être nécessaire de frapper légèrement la tête pour la faire glisser en place si elle ne se place pas facilement sur le nez du bloc-moteur.

Fonctionnement

Toujours fixer ou ancrer le matériau à découper afin d'assurer la précision du travail. Aligner un rebord du couteau central de l'outil sur la ligne de coupe et faire avancer les couteaux dans le matériau sans forcer l'outil ni y exercer une pression excessive. Avec un peu de pratique, on peut déterminer quelle pression avant procure une coupe en douceur. Il est important de laisser les surfaces inférieures des couteaux latéraux reposer à plat contre le matériau à couper (fig. 4). Lorsqu'on coupe des courbes, ne pas faire basculer l'outil. Laisser les couteaux latéraux à plat et de niveau. Afin d'optimiser la coupe, s'assurer que les couteaux sont affûtés. Porter des gants lorsqu'on travaille de la tôle. Les rebords en sont tranchants et cela présente des risques de blessures.

⚠ MISE EN GARDE : Ne pas utiliser la cisaille avec tout accessoire.

Une telle utilisation peut être dangereuse.

Réglage (Figure 5)

Le couteau latéral gauche comporte des trous allongés afin de régler la courbure du matériau inutile. Il peut être nécessaire d'en modifier le réglage lorsqu'on remplace les couteaux ou lorsqu'on change de matériau à couper. Desserrer les vis d'assemblage et frapper légèrement le couteau latéral vers l'avant ou vers l'arrière de sorte que le matériau inutile ne vienne pas frapper contre l'outil ni le bon matériau pendant la coupe.

Lubrification

Il est conseillé d'ajouter une quantité minimale de graisse aux engrenages lorsqu'on remplace les balais (ou de redistribuer la graisse qui reste dans le boîtier).

Les roulements à billes de cet outil ont été lubrifiés en usine et il n'est pas nécessaire de les lubrifier de nouveau.

Accessoires

Les accessoires recommandés pour cet outil sont vendus chez les détaillants ou au centre de service de la région. Pour trouver un accessoire, communiquer avec le détaillant ou le centre de service de la région.

⚠ MISE EN GARDE : L'utilisation de tout autre accessoire non recommandé pour l'outil peut être dangereuse.

Important

Pour assurer la **SÉCURITÉ D'EMPLOI** et la **FIABILITÉ** de l'outil, n'en confier la réparation, l'entretien et les rajustements (y compris l'inspection et le remplacement des balais) qu'à un centre de service ou à un atelier d'entretien autorisé n'utilisant que des pièces de rechange identiques.

Garantie complète

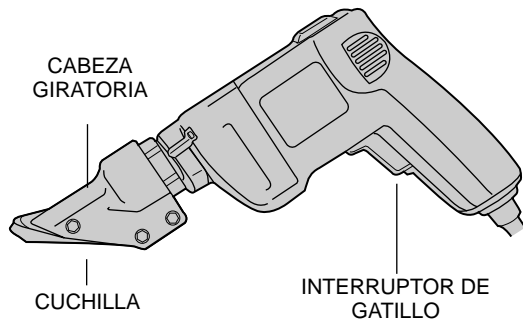
Les outils industriels de service intensif DEWALT sont garantis pendant un an à partir de la date d'achat. Toute pièce d'un outil DEWALT qui s'avérerait défectueuse en raison d'un vice de matière ou de fabrication sera réparée ou remplacée sans frais. Pour obtenir de plus amples renseignements sur les réparations couvertes par la garantie, composer le 1 (800) 4-DEWALT (! (800) 433-9258). La garantie ne couvre pas les accessoires ni les réparations tentées ou effectuées par des tiers. Les modalités de la présente garantie donnent des droits légaux spécifiques. L'utilisateur peut également se prévaloir d'autres droits selon l'état ou la province qu'il habite.

En outre, la garantie suivante couvre les outils DEWALT.

GARANTIE DE SATISFACTION DE 30 JOURS OU ARGENT REMIS

Si, pour quelque raison que ce soit, l'outil industriel de service intensif DEWALT ne donne pas entière satisfaction, il suffit de le retourner chez le marchand participant dans les 30 jours suivant la date d'achat afin d'obtenir un remboursement complet. Il faut retourner, port payé, l'outil complet. On peut exiger une preuve d'achat.





Epecificaciones

| | DW890 | DW891 |
|--------------------------|-------------|-------------|
| Tensión de alimentación | 120 V CA/CD | 120 V CA/CD |
| Potencia nominal: | 470 W | 470 W |
| Frecuencia de operación: | 60 Hz | 60 Hz |
| Consumo de corriente: | 5 A | 5 A |

DEWALT...PARA TRABAJOS PESADOS

Las herramientas industriales DeWalt de alto rendimiento se han fabricado para las más duras condiciones industriales y de construcción. El diseño de cada una de las herramientas de esta línea desde taladros hasta lijadoras y esmeriladoras es resultado de su empleo bajo rigurosas condiciones en centros de trabajo e instalaciones industriales. Cada instrumento se ha fabricado con precisión extrema bajo sistemas avanzados de manufactura y rígido control de calidad. Cada herramienta se verifica concienzudamente antes de dejar la fábrica, para asegurarse de que satisface sus estándares de durabilidad, confiabilidad y potencia.

DEWALT Para trabajos pesados_LO GARANTIZAMOS.

Reglas generales de seguridad

⚠ ¡ADVERTENCIA! Lea y comprenda todas las instrucciones. No hacerlo puede originar riesgos de choque eléctrico, incendio y lesiones personales de gravedad.

CONSERVE ESTAS INSTRUCCIONES

AREA DE TRABAJO

- **Conserve su área de trabajo limpia y bien iluminada.** Las bancas amontonadas y las zonas oscuras propician los accidentes.
- **No opere herramientas eléctricas en atmósferas explosivas, como en presencia de líquidos, gases o polvos inflamables.** Las herramientas eléctricas producen chispas que pueden originar la ignición de los polvos o los vapores.
- **Conserve a observadores, niños y visitantes alejados mientras opera una herramienta eléctrica.** Las distracciones pueden ocasionar que pierda el control.

SEGURIDAD ELECTRICA

- **Las herramientas aterrizadas deben conectarse a una toma de corriente correctamente instalada y aterrizada de conformidad con todos los códigos y reglamentos. Nunca elimine la pata de conexión a tierra ni modifique la clavija en ninguna manera. No utilice adaptadores. Verifique con un electricista calificado si tiene dudas acerca de la conexión a tierra de su toma. Si las herramientas tienen algún mal funcionamiento eléctrico, la tierra proporciona una vía para alejar del operador la electricidad.**
- **Las herramientas con doble aislamiento están equipadas con una clavija polarizada (con una pata más ancha que la otra.) Esta clavija se acoplará únicamente en una toma de corriente polarizada de una manera. Si la clavija no se acopla al contacto, inviértala. Si aún así no se ajusta, comuníquese con un electricista calificado para que le instalen una toma de**

Español

corriente polarizada apropiada. □ El doble aislamiento elimina la necesidad de cables con tres hilos y sistemas de alimentación con conexión a tierra.

- **Evite el contacto corporal con superficies aterrizadas tales como tuberías, radiadores, hornos y refrigeradores.** Hay un gran riesgo de choque eléctrico si su cuerpo hace tierra.
- **No exponga las herramientas eléctricas a la lluvia o a condiciones de mucha humedad.** El agua que se introduce en las herramientas aumenta el riesgo de descargas eléctricas.
- **No maltrate el cable. Nunca tome el cable para transportar una herramienta ni para desconectarla de la toma de corriente. Consérvelo alejado de calor aceite, bordes afilados o piezas móviles. Cambie inmediatamente los cables dañados.** Los cables dañados aumentan el riesgo de choque eléctrico.
- **Cuando opere una herramienta eléctrica a la intemperie, utilice una extensión marcada "W-A" o "W".** Estas extensiones están clasificadas para uso a la intemperie y para reducir el riesgo de choques eléctricos. Cuando utilice una extensión, asegúrese de emplear una con el calibre suficiente para soportar la corriente necesaria para su herramienta. Una extensión con calibre inadecuado causará una caída en el voltaje de la línea resultando en pérdida de potencia y sobrecalentamiento. La tabla siguiente muestra el calibre correcto para usarse, relativo a la longitud de la extensión y el amperaje mencionado en la placa de identificación. Si tiene dudas, utilice el calibre siguiente. Mientras más pequeño sea el número del calibre, mayor será su capacidad.

Calibre mínimo requerido (AWG) para cables de extensión

Longitud total del cable de extensión

| | | | | | | |
|--------|--------|--------|---------|---------|---------|---------|
| 25 ft. | 50 ft. | 75 ft. | 100 ft. | 125 ft. | 150 ft. | 175 ft. |
| 7,6 m | 15,2 m | 22,9 m | 30,5 m | 38,1 m | 45,7 m | 53,3 m |

Calibre promedio del alambre

| | | | | | | |
|--------|--------|--------|--------|--------|--------|--------|
| 18 AWG | 18 AWG | 16 AWG | 16 AWG | 14 AWG | 14 AWG | 12 AWG |
|--------|--------|--------|--------|--------|--------|--------|

SEGURIDAD PERSONAL

- **Esté alerta concéntrese en lo que está haciendo. Recorra al sentido común cuando opere una herramienta eléctrica. No opere ninguna herramienta si se encuentra fatigado o bajo la influencia de drogas, alcohol o medicamentos.** Un momento de desatención mientras se operan herramientas eléctricas puede ocasionar lesiones graves.
- **Vístase de manera adecuada. No tenga puestas ropas o artículos de joyería flojos. Cubra su cabello si lo tiene largo. Conserve su cabello, sus ropas y guantes alejados de las piezas móviles.** Las piezas de vestir flojas, las joyas y el cabello largo pueden resultar atrapados por las piezas móviles.
- **Evite el encendido accidental. Asegúrese que el interruptor esté en posición de apagado antes de conectar.** Sostener una herramienta con el dedo en el interruptor o conectarla sin fijarse si el interruptor está en posición de encendido propicia los accidentes.
- **Retire las llaves de ajuste antes de encender la herramienta.** Una llave que se deja en una pieza giratoria puede ocasionar lesiones personales.
- **No se sobreextienda. Conserve siempre los pies bien apoyados, al igual que el equilibrio.** La posición correcta de los pies y el equilibrio permiten controlar mejor la herramienta en situaciones inesperadas.
- **Utilice equipo de seguridad. Siempre utilice protección en los ojos.** Se deben utilizar mascarillas contra polvo, zapatos

antiderrapantes, casco o protectores para los oídos para tener las condiciones apropiadas.

USO Y CUIDADOS DE LA HERRAMIENTA

- **Utilice prensas u otros medios prácticos para asegurar y apoyar la pieza de trabajo en una plataforma estable.** Sujetar las piezas con la mano o contra su cuerpo es inestable y puede originar la pérdida de control.
- **No fuerce la herramienta. Emplee la herramienta correcta para su aplicación.** La herramienta correcta hará el trabajo mejor y de manera más segura y bajo las especificaciones para las que fue diseñada.
- **No utilice la herramienta si el interruptor no enciende y apaga.** Cualquier herramienta que no pueda controlarse por medio del interruptores peligrosa y debe reemplazarse.
- **Desconecte la clavija de la toma de corriente antes de hacer cualquier ajuste, cambio de accesorios o de guardar la herramienta.** Tales medidas de seguridad preventivas reducirán el riesgo de que la herramienta se encienda accidentalmente.
- **Guarde las herramientas fuera del alcance de los niños y de otras personas no capacitadas.** Las herramientas son peligrosas en manos de personas no capacitadas.
- **Cuide sus herramientas. Conserve las herramientas de corte afiladas y limpias.** Las herramientas que reciben un mantenimiento adecuado, con piezas de corte afiladas, difícilmente se atascan y son más fáciles de controlar.
- **Verifique la alineación de las piezas móviles, busque fracturas en las piezas y cualesquiera otras condiciones que puedan afectar la operación de las herramientas. Si está dañada, lleve su herramienta a servicio antes de usarla de nuevo.** Muchos accidentes se deben a herramientas con mantenimiento pobre.
- **Solamente use accesorios que el fabricante recomiende para su modelo de herramienta.** Los accesorios que estén diseñados para una herramienta, pueden volverse peligrosos cuando se emplean con otra.

⚠ **ADVERTENCIA** : Parte del polvo creado al lijar, aserruchar, moler o perforar con máquina, así como al realizar otras actividades de la construcción, contiene sustancias químicas que se sabe producen cáncer, defectos congénitos u otras afecciones reproductivas. Algunos ejemplos de esas sustancias químicas son:

- plomo de pinturas a base de plomo,
- sílice cristalizado de ladrillos y cemento y otros productos de albañilería, y
- arsénico y cromo de la madera químicamente tratada (CCA).

El riesgo al contacto con estas sustancias varía, según la frecuencia en que se haga este tipo de trabajo. Para reducir la exposición a esas sustancias químicas: trabaje en un área bien ventilada, y trabaje con equipos de seguridad aprobados, tales como máscaras contra el polvo especialmente diseñadas para filtrar las partículas microscópicas.

• **REVISE LAS PARTES DAÑADAS.** Antes de seguir utilizando su herramienta, una guarda u otra parte que esté dañada debe ser revisada cuidadosamente para determinar si operará apropiadamente y realizará la función para la que está destinada. Verifique la alineación y la sujeción de las piezas móviles, ruptura en las piezas, sus montajes y cualesquiera otras condiciones que pudiesen afectar su operación. Una guarda u otras pieza dañadas deberán repararse o reemplazarse por un centro de servicio autorizado, a menos que se indique lo contrario en este manual de instrucciones. Haga reemplazar los interruptores defectuosos por un centro de servicio autorizado. No utilice la herramienta si el interruptor no funciona.

⚠ **PRECAUCION:** Cuando corte en muros, pisos o dondequiera que pudiese encontrar cables eléctricos vivos, ¡NO TOQUE NINGUNA PIEZA METALICA DE LA HERRAMIENTA! Sujétela únicamente por las superficies aislantes para evitar descargas eléctricas en el caso de cortar un cable vivo.

Motor

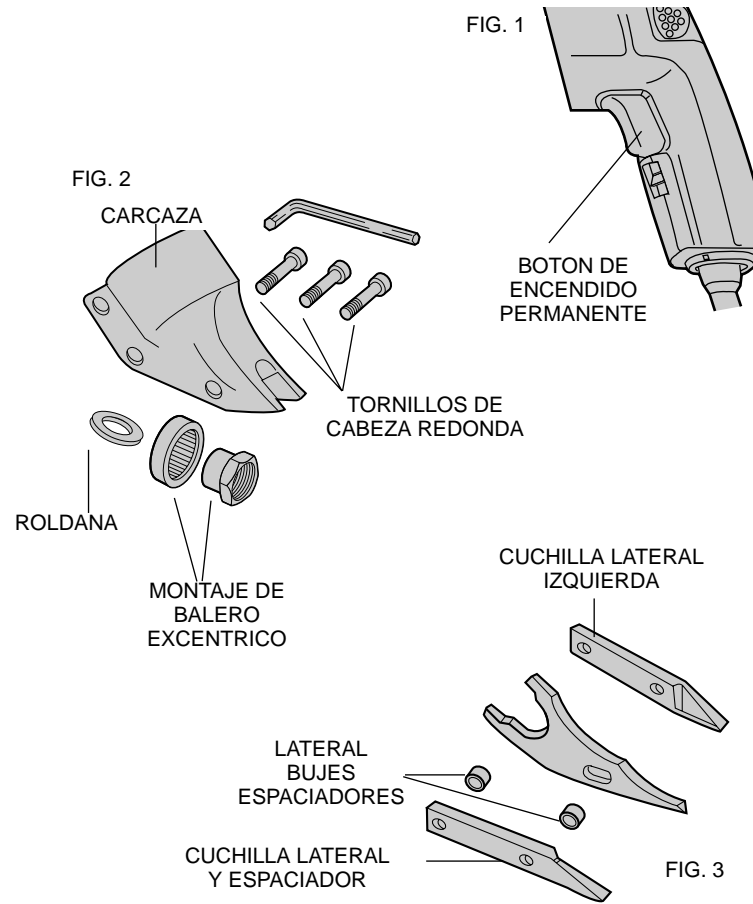
Su herramienta DeWalt cuenta con un motor DeWalt interconstruido. Asegúrese que el voltaje de su toma de corriente concuerda con las especificaciones de la placa de la unidad. 120 Volts, 60 Hz, AC/DC indican que su herramienta puede operarse con corriente alterna o con corriente continua. Las disminuciones del voltaje mayores de 10% harán que la herramienta pierda potencia y se sobrecaliente. Todas las herramientas DeWalt se han probado en fábrica; si ésta no operara, verifique la toma de corriente del sitio en que la opera.

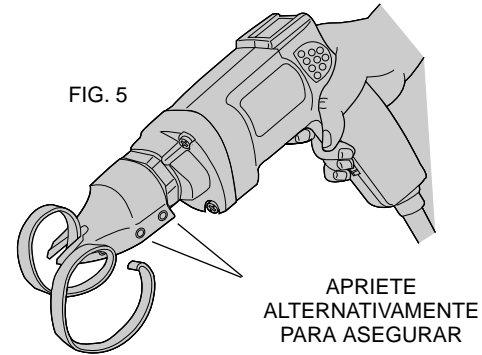
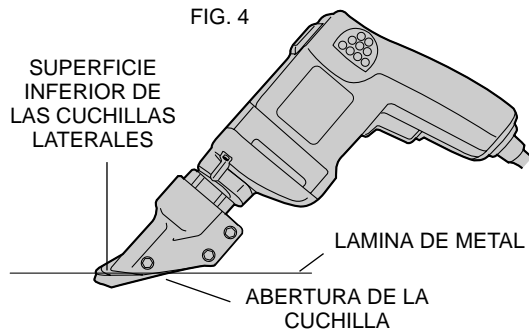
Interruptor

Oprima el interruptor de gatillo para encender la herramienta, suéltelo para apagarla. Para asegurar el interruptor en posición de encendido para operación continua, oprima el gatillo, empuje hacia arriba el botón de encendido permanente (figura 1), y a continuación libere suavemente el gatillo. Para liberar el mecanismo de encendido permanente, oprima a fondo el gatillo y suéltelo a continuación. Antes de emplear la herramienta cada vez, asegúrese que el mecanismo de liberación del botón del seguro funciona libremente. Asegúrese de liberar el botón del seguro antes de desconectar la clavija de la toma de corriente. No hacerlo ocasionará que la herramienta se encienda inmediatamente la próxima vez que la conecte, con el consiguiente riesgo de daños y lesiones. El gatillo interruptor de velocidad variable le permite controlar la velocidad. Mientras más a fondo oprima el gatillo, mayor será la velocidad de la cizalla.

Desensamblaje y ensamblaje (figuras 2 y 3)

Para retirar la cabeza de la cizalla del motor, afloje los 3 tornillos con cabeza redonda. Saque la cabeza de la cizalla tirando de ella con firmeza hacia adelante. Puede requerirse una pequeña torsión sin la cabeza no se desliza con facilidad.





Para retirar las cuchillas de la cabeza, saque los 3 tornillos de la carcasa de la cizalla. Sea cuidadoso para no perder el buje espaciador trasero cuando quite el tornillo de enmedio. Saque la cuchilla central de la carcasa aplicándole unos golpecillos hacia atrás. La cuchilla y el espaciador laterales saldrán ahora de la carcasa.

Para retirar el montaje del balero excéntrico de la flecha, utilice una llave apropiada para aflojar la tuerca excéntrica girándola en sentido contrario a las manecillas del reloj.

Para instalar el montaje del balero excéntrico en la flecha, asegúrese que la roldana delgada grande sea lo primero en colocarse en la flecha. Atornille el montaje del balero excéntrico en la flecha y apriételo con la llave apropiada. Lubrique el balero con una cantidad generosa de grasa para baleros.

Para instalar las cuchillas en la carcasa de la cizalla, colóquela cuchilla y el espaciador laterales en su posición en la carcasa. Inserte el tornillo a través de la cuchilla y el espaciador laterales con el buje espaciador entre ellos. Enrosque el tornillo lo suficiente para sujetar las cuchillas en su posición. **NO APRIETE.** Inserte el buje espaciador en el orificio de la cuchilla central y lubrique. Instale la

cuchilla central en la cizalla aplicándole unos golpecillos utilizando un punzón para alinear el orificio de la cuchilla con los orificios delanteros de la carcasa. Inserte el tornillo delantero y apriételo, asegurándose que el buje espaciador que se encuentra en la cuchilla central permanezca en su posición. Aplique una cantidad generosa de grasa para baleros a la abrazadera o al yunque en la cuchilla central en la parte que monta en el balero excéntrico. Inserte el tornillo trasero en la carcasa pero no apriete por completo.

Para instalar el montaje de la cabeza de la cizalla en el motor, asegúrese que todos los tornillos estén flojos aproximadamente 3 o 4 vueltas completas. Coloque la cabeza de la cizalla en la unidad y apriete alternativamente los tornillos hasta asegurar la cabeza en su sitio. Puede ser necesario aplicar unos golpecillos a la cabeza de la cizalla para colocarla en su sitio si no se desliza con facilidad en la nariz de la unidad de poder.

Operación

Para trabajar con precisión, siempre sujete o preñe el material con el que vaya a trabajar. Haga coincidir uno de los filos de la cuchilla

central de la herramienta con la línea de corte y avance las cuchillas en el material sin esforzarse ni aplicar presión innecesaria. Con un poco de práctica usted podrá determinar con qué presión hará el corte más suavemente. Es muy importante conservar los bordes inferiores de las cuchillas laterales planos sobre el material (figura 4). Cuando corte curvas, evite levantar la herramienta; conserve las cuchillas laterales planas y niveladas. Para la mayor eficiencia en el corte, conserve afiladas las cuchillas. Utilice guantes para manejar lámina de metal. Los bordes son afilados y pueden causarle una lesión. **PRECAUCION:** No utilice la cizalla con ningún tipo de accesorio o dispositivo. Puede ser peligroso.

Ajustes (figura 5)

Para ajustar la curvatura del material de desperdicio, la cuchilla del lado izquierdo tiene orificios elongados. Puede ser necesario ajustar las cuchillas después de cambiarlas o de cambiar el material con que se trabaja. Afloje los tornillos y mueva la cuchilla hacia adelante o hacia atrás de manera que el material de desperdicio no haga contacto con la carcasa ni con la pieza de trabajo al cortar.

Mantenimiento

Utilice únicamente un jabón suave y un trapo húmedo para limpiar la herramienta. Nunca permita que se introduzca ningún líquido en la herramienta, ni sumerja ninguna parte de ésta en ningún líquido.

Se han empleado baleros auto lubricantes en la fabricación de esta herramienta y no se requiere de lubricación periódica. En el improbable caso que su herramienta llegase a requerir servicio, llévela a un centro de servicio autorizado.

Importante

Para garantizar la **SEGURIDAD** y la **CONFIABILIDAD** del producto, deberán hacerse reparaciones, mantenimiento y ajustes (incluyendo revisión y cambio de los carbones) por centros autorizados de servicio u otras organizaciones calificadas que empleen siempre

refacciones idénticas

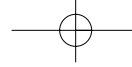
PARA REPARACION Y SERVICIO DE SUS HERRAMIENTAS ELECTRICAS FAVOR DE DIRIGIRSE AL CENTRO DE SERVICIO MAS CERCANO

| | |
|---|-------------------|
| CULIACAN | |
| Av. Nicolas Bravo #1063 Sur | (91 671) 242 10 |
| GAUDALAJARA | |
| Av. La Paz #1770 | (91 3) 826 69 78. |
| LEON | |
| Polara #32 | (91 471) 314 56 |
| MEXICO | |
| Eje Lázaro Cárdenas #18 Local D, Obrera | 553-9377 |
| MERIDA | |
| Calle 63 #459 | (91 99) 23 54 90 |
| MONTERREY | |
| Av. Francisco I. Madero Pte. 1820-A | (91 83) 72 11 25 |
| PUEBLA | |
| 17 Norte #2057 | (91 22) 46 90 20 |
| QUERETARO | |
| Av. Madero 139 Pte. | (91 42) 14 60 60 |
| SAN LOUIS POTOSI | |
| Pedro Moreno #408 Fracc. la Victoria | (91 48) 14 25 67 |
| TORREON | |
| Blvd. Independencia, 96 pte. | (91 17) 16 52 65 |
| VERACRUZ | |
| Prolongación Diaz Miron #4280 | (91 29) 21 70 18 |
| VILLAHERMOSA | |
| Zaragoza #105 | (91 93) 12 53 17 |

PARA OTRAS LOCALIDADES LLAME AL: 326 7100

Accesorios

Dispone usted de los accesorios para su herramienta por un cargo adicional con su distribuidor local autorizado Se incluye una lista completa de los centros de servicio con su herramienta..Si necesita



ayuda para encontrar cualquier accesorio, por favor comuníquese con DeWALT Industrial Tool Co., 701 East Joppa Road, Baltimore, MD 21286 o llame al teléfono 1-800-732-4441.

Garantía Completa

Las herramientas industriales DeWalt están garantizadas durante un año a partir de la fecha de compra. Repararemos, sin cargos, cualquier falla debida a material o mano de obra defectuosos. Por favor regrese la unidad completa, con el transporte pagado, a cualquier Centro de Servicio para Herramientas Industriales de DeWalt o a las estaciones de servicio autorizado enlistadas bajo "Herramientas Eléctricas" en la Sección Amarilla. Esta garantía no se aplica a los accesorios ni a daños causados por reparaciones efectuadas por terceras personas. Esta garantía le otorga derechos legales específicos, y usted puede tener otros derechos que pueden variar de estado a estado. En adición a la garantía, las herramientas DEWALT están amparadas por nuestra:

GARANTÍA DE SATISFACCIÓN SIN RIESGO POR 30 DÍAS

Si usted no se encuentra completamente satisfecho con el desempeño de su herramienta industrial DeWalt, sencillamente devuélvala a los vendedores participantes durante los primeros 30 días después de la fecha de compra para que le efectúen un reembolso completo. Por favor regrese la unidad completa, con el transporte pagado. Se puede requerir prueba de compra.

IMPORTADO: DeWALT S.A. DE C.V.
BOSQUES DE CIDROS ACCESO RADIATAS NO. 42
COL. BOSQUES DE LAS LOMAS.
05120 MÉXICO, D.F.
TEL. 326-7100

Para servicio y ventas consulte
"HERRAMIENTAS ELÉCTRICAS"
en la sección amarilla.

