

Questions? See us in the World Wide Web at www.dewalt.com

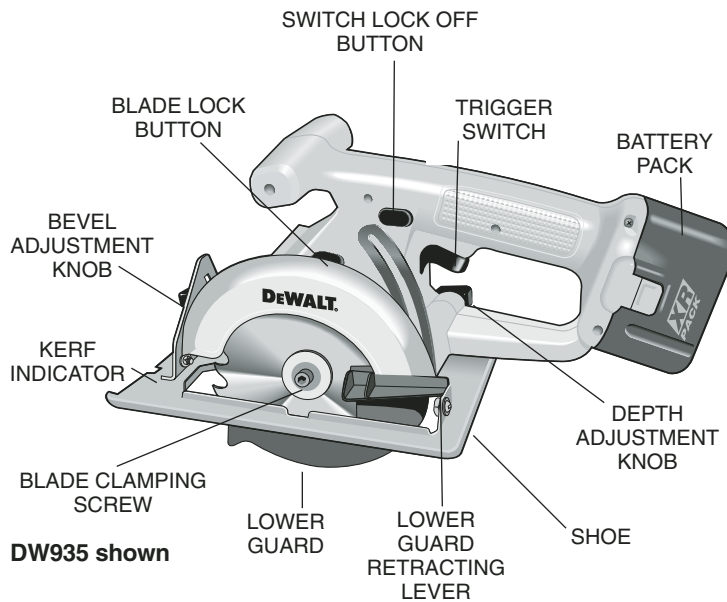
**INSTRUCTION MANUAL
GUIDE D'UTILISATION
MANUAL DE INSTRUCCIONES**

INSTRUCTIVO DE OPERACIÓN, CENTROS DE SERVICIO Y PÓLIZA DE GARANTÍA. **ADVERTENCIA:** LÉASE ESTE INSTRUCTIVO ANTES DE USAR EL PRODUCTO.

DEWALT®

**DW930/DW935/DW936/DW939
Cordless Circular Saws
Scie circulaire sans fil
Sierras circulares inalámbricas**

IF YOU HAVE ANY QUESTIONS OR COMMENTS ABOUT THIS OR ANY DEWALT TOOL, CALL US TOLL FREE AT:
1-800-4-DEWALT (1-800-433-9258)



DW930	12.0 Volt Cordless Trim Saw	2500 RPM
DW935	14.4 Volt Cordless Trim Saw	3000 RPM
DW936	18.0 Volt Cordless Trim Saw	3200 RPM
DW939	18.0 Volt Cordless Circular Saw	3700 RPM

IF YOU HAVE ANY QUESTIONS OR COMMENTS ABOUT THIS OR ANY DEWALT TOOL, CALL US TOLL FREE AT:
1-800-4-DEWALT (1-800-433-9258)

General Safety Rules – For All Battery Operated Tools

⚠ WARNING! Read and understand all instructions. Failure to follow all instructions listed below may result in electric shock, fire and/or serious personal injury.

SAVE THESE INSTRUCTIONS

WORK AREA

- **Keep your work area clean and well lit.** Cluttered benches and dark areas invite accidents.
- **Do not operate power tools in explosive atmospheres, such as in the presence of flammable liquids, gases, or dust.** Power tools create sparks which may ignite the dust or fumes.
- **Keep bystanders, children, and visitors away while operating a power tool.** Distractions can cause you to lose control.

ELECTRICAL SAFETY

- **Do not abuse the cord. Never use the cord to carry the tool. Keep cord away from heat, oil, sharp edges or moving parts. Replace damaged cords immediately.** Damaged cords may create a fire.
- **A battery operated tool with integral batteries or a separate battery pack must be recharged only with the specified charger for the battery.** A charger that may be suitable for one type of battery may create a risk of fire when used with another battery.
- **Use battery operated tool only with the specifically designated battery pack.** Use of any other batteries may create a risk of fire.

PERSONAL SAFETY

- **Stay alert, watch what you are doing and use common sense when operating a power tool. Do not use tool while tired or under the influence of drugs, alcohol, or medication.** A moment of inattention while operating power tools may result in serious personal injury.
- **Dress properly. Do not wear loose clothing or jewelry. Contain long hair. Keep your hair, clothing, and gloves away from moving parts.** Loose clothing, jewelry, or long hair can be caught in moving parts. Air vents often cover moving parts and should also be avoided.
- **Avoid accidental starting. Be sure switch is in the locked or off position before inserting battery pack.** Carrying tools with your finger on the switch or inserting the battery pack into a tool with the switch on invites accidents.
- **Remove adjusting keys or wrenches before turning the tool on.** A wrench or a key that is left attached to a rotating part of the tool may result in personal injury.
- **Do not overreach. Keep proper footing and balance at all times.** Proper footing and balance enables better control of the tool in unexpected situations.
- **Use safety equipment. Always wear eye protection.** Dust mask, non-skid safety shoes, hard hat, or hearing protection must be used for appropriate conditions.

TOOL USE AND CARE

- **Use clamps or other practical way to secure and support the workpiece to a stable platform.** Holding the work by hand or against your body is unstable and may lead to a loss of control.
- **Do not force tool. Use the correct tool for your application.** The correct tool will do the job better and safer at the rate for which it is designed.
- **Do not use tool if switch does not turn it on or off.** A tool that cannot be controlled with the switch is dangerous and must be repaired.

- **Disconnect battery pack from tool or place the switch in the locked or off position before making any adjustments, changing accessories, or storing the tool.** Such preventative safety measures reduce the risk of starting the tool accidentally.
- **Store idle tools out of reach of children and other untrained persons.** Tools are dangerous in the hands of untrained users.
- **When battery pack is not in use, keep it away from other metal objects like: paper clips, coins, keys, nails, screws, or other small metal objects that can make a connection from one terminal to another.** Shorting the battery terminals together may cause sparks, burns, or a fire.
- **Maintain tools with care. Keep cutting tools sharp and clean.** Properly maintained tools with sharp cutting edges are less likely to bind and are easier to control.
- **Check for misalignment or binding of moving parts, breakage of parts, and any other condition that may affect the tools operation. If damaged, have the tool serviced before using.** Many accidents are caused by poorly maintained tools.
- **Use only accessories that are recommended by the manufacturer for your model.** Accessories that may be suitable for one tool, may create a risk of injury when used on another tool.

SERVICE

- **Tool service must be performed only by qualified repair personnel.** Service or maintenance performed by unqualified personnel may result in a risk of injury.
- **When servicing a tool, use only identical replacement parts. Follow instructions in the Maintenance section of this manual.** Use of unauthorized parts or failure to follow Maintenance Instructions may create a risk of shock or injury.

Additional Safety Rules for Circular Saws

- ▲ **DANGER:** Keep hands away from cutting area and blade. Keep your second hand on auxiliary handle or motor housing. If both hands are holding the saw, they cannot be cut by the blade.

- Keep your body positioned to either side of the blade, but not in line with the saw blade. KICKBACK could cause the saw to jump backwards. (See KICKBACK)
- Do not reach underneath the work. The guard can not protect you from the blade below the work.
- Check lower guard for proper closing before use. Do not operate saw if lower guard does not move freely and close instantly. Never clamp or tie the lower guard into the open position. If saw is accidentally dropped, lower guard may be bent. Raise the lower guard with the Retracting Handle and make sure it moves freely and does not touch the blade or any other part, in all angles and depths of cut.
- Check the operation and condition of the lower guard spring. If the guard and the spring are not operating properly, they must be serviced before use. Lower guard may operate sluggishly due to damaged parts, gummy deposits, or a buildup of debris.
- Lower guard should be retracted manually only for special cuts such as "Pocket Cuts" and "Compound Cuts." Raise lower guard by Retracting Handle. As soon as blade enters the material, lower guard must be released. For all other sawing, the lower guard should operate automatically.
- Always observe that the lower guard is covering the blade before placing saw down on bench or floor. An unprotected, coasting blade will cause the saw the walk backwards, cutting whatever is in its path. Be aware of the time it takes for the blade to stop after switch is released.
- **NEVER** hold piece being cut in your hands or across your leg. It is important to support the work properly to minimize body exposure, blade binding, or loss of control.
- Hold tool by insulated gripping surfaces when performing an operation where the cutting tool may contact hidden wiring. Contact with a "live" wire will also make exposed metal parts of the tool "live" and shock the operator.
- When ripping always use a rip fence or straight edge guide. This improves the accuracy of cut and reduces the chance for blade binding.

- Always use blades with correct size and shape (diamond vs. round) arbor holes. Blades that do not match the mounting hardware of the saw will run eccentrically, causing loss of control.
- Never use damaged or incorrect blade washers or bolts. The blade washers and bolt were specially designed for your saw, for optimum performance and safety of operation.

Causes and Operator Prevention of Kickback

- **KICKBACK** is a sudden reaction to a pinched, bound or misaligned saw blade, causing an uncontrolled saw to lift up and out of the workpiece toward the operator.
- When the blade is pinched or bound tightly by the kerf closing down, the blade stalls and the motor reaction drives the unit rapidly back toward the operator.
- If the blade becomes twisted or misaligned in the cut, the teeth at the back edge of the blade can dig into the top surface of the wood causing the blade to climb out of the kerf and jump back toward operator.
- **KICKBACK** is the result of tool misuse and/or incorrect operating procedures or conditions and can be avoided by taking proper precautions as given below:
- Maintain a firm grip with both hands on the saw and position your body and arm to allow you to resist **KICKBACK** forces. **KICKBACK** forces can be controlled by the operator, if proper precautions are taken.
- When blade is binding, or when interrupting a cut for any reason, release the trigger and hold the saw motionless in the material until the blade comes to a complete stop. Never attempt to remove the saw from the work or pull the saw backward while the blade is in motion or kickback may occur. Investigate and take corrective actions to eliminate the cause of blade binding.
- When restarting a saw in the workpiece, center the saw blade in the kerf and check that the saw teeth are not engaged into the material. If saw blade is binding, it may walk up or **KICKBACK** from the workpiece as the saw is restarted.

- Support large panels to minimize the risk of blade pinching and **KICKBACK**. Large panels tend to sag under their own weight. Support must be placed under the panel on both sides, near the line of cut and near the edge of the panel.
- **Do not use dull or damaged blade.** Unsharpened or improperly set blades produce narrow kerf causing excessive friction, blade binding, and **KICKBACK**.
- **Blade depth and bevel adjusting locking levers must be tight and secure before making cut.** If blade adjustment shifts while cutting, it may cause binding and **KICKBACK**.
- **Use extra caution when making a “Pocket Cut” into existing walls or other blind areas.** The protruding blade may cut objects that can cause kickback.

Additional Specific Safety Instructions

- **AVOID CUTTING NAILS.** Inspect for and remove all nails from lumber before cutting.

⚠ CAUTION: When sawing into walls, floors, or wherever “live” electrical wires may be encountered, **DO NOT TOUCH ANY METAL PARTS OF THE TOOL!** Hold the saw only by its plastic handles to prevent electric shock if you accidentally saw into a live wire.

⚠ CAUTION: Some tools with large battery packs will stand upright on the battery pack but may be easily knocked over. When not in use, place tool on its side on a stable surface where it will not cause a tripping or falling hazard.

⚠ CAUTION: Wear appropriate personal hearing protection during use. Under some conditions and duration of use, noise from this product may contribute to hearing loss.

⚠ WARNING: Some dust created by power sanding, sawing, grinding, drilling, and other construction activities contains chemicals known to cause cancer, birth defects or other reproductive harm. Some examples of these chemicals are:

- lead from lead-based paints,
- crystalline silica from bricks and cement and other masonry products, and

- arsenic and chromium from chemically-treated lumber.

Your risk from these exposures varies, depending on how often you do this type of work. To reduce your exposure to these chemicals: work in a well ventilated area, and work with approved safety equipment, such as those dust masks that are specially designed to filter out microscopic particles.

- **Avoid prolonged contact with dust from power sanding, sawing, grinding, drilling, and other construction activities. Wear protective clothing and wash exposed areas with soap and water.** Allowing dust to get into your mouth, eyes, or lay on the skin may promote absorption of harmful chemicals.
- The label on your tool may include the following symbols.

V.....volts	Aamperes
Hz.....hertz	Wwatts
minminutes	~alternating current
— — — —direct current	n ₀no load speed
☐Class II Construction	.../minrevolutions per minute
⊕earthing terminal	⚠safety alert symbol

Important Safety Instructions for Battery Packs

The battery pack is not fully charged out of the carton! First read the safety instructions below. Then follow charging notes and procedures.

READ ALL INSTRUCTIONS.

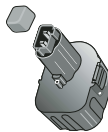
Your tool uses a 12.0 Volt, a 14.4 Volt or an 18 Volt DEWALT battery pack. When ordering replacement battery packs, be sure to include catalog number and voltage.

- Do not incinerate the battery pack even if it is severely damaged or is completely worn out. The battery pack can explode in a fire.
- A small leakage of liquid from the battery pack cells may occur under extreme usage or temperature conditions. This does not indicate a failure. However, if the outer seal is broken and this leakage gets on your skin:

- a. Wash quickly with soap and water.
- b. Neutralize with a mild acid such as lemon juice or vinegar.
- c. If battery liquid gets into your eyes, flush them with clean water for a minimum of 10 minutes and seek immediate medical attention. (Medical note: The liquid is 25-35% solution of potassium hydroxide.)
- Do not carry extra battery packs in aprons, pockets, or tool boxes along with other metal objects. Battery pack could be short circuited causing damage to the battery pack and possibly causing severe burns or fire.
- Charge the battery packs only in DeWALT chargers.
- **NOTE:** The batteries in your battery pack are the nickel-cadmium type. Cadmium is considered to be a toxic material by the Environmental Protection Agency. Before disposing of damaged or worn out Nickel-Cadmium battery packs, check with your state Environmental Protection Agency to find out about special restrictions on the disposal of these battery packs or return them to a DeWALT certified service center for recycling.
- **DO NOT** store or use the tool and battery pack in locations where the temperature may reach or exceed 105°F (such as outside sheds or metal buildings in summer).
- ▲ **DANGER:** Never attempt to open the battery pack for any reason. If battery pack case is cracked or damaged, do not insert into charger. Danger of electric shock or electrocution. Damaged battery packs should be returned to service center for recycling.

NOTE: Battery storage and carrying caps are provided for use whenever the battery is out of the tool or charger. Remove cap before placing battery in charger or tool.

▲ **WARNING:** Do not store or carry battery so that metal objects can contact exposed battery terminals. For example, do not place battery in aprons, pockets, tool boxes, product kit boxes, drawers, etc. with loose nails, screws, keys, etc. without battery cap. Without cap in place, battery could short circuit causing fire or burns or damage to battery.



The RBRC™ Seal

The RBRC™ (Rechargeable Battery Recycling Corporation) Seal on the nickel-cadmium battery (or battery pack) indicates that the costs to recycle the battery (or battery pack) at the end of its useful life have already been paid by DeWALT. In some areas, it is illegal to place spent nickel-cadmium batteries in the trash or municipal solid waste stream and the RBRC program provides an environmentally conscious alternative.

RBRC in cooperation with DeWALT and other battery users, has established programs in the United States to facilitate the collection of spent nickel-cadmium batteries. Help protect our environment and conserve natural resources by returning the spent nickel-cadmium battery to an authorized DeWALT service center or to your local retailer for recycling. You may also contact your local recycling center for information on where to drop off the spent battery.

Important Safety Instructions for Battery Chargers

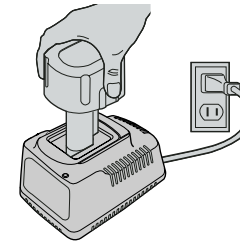
SAVE THESE INSTRUCTIONS - This manual contains important safety instructions for DeWALT battery chargers.

- Before using battery charger, read all instructions and cautionary markings on battery charger, battery and product using battery.

15 MINUTE CHARGER



1 HOUR CHARGER



⚠ CAUTION: To reduce the risk of injury, charge only DeWALT nickel cadmium rechargeable batteries. Other types of batteries may burst causing personal injury and damage.

⚠ CAUTION: Under certain conditions, with the charger plugged in to the power supply, the exposed charging contacts inside the charger can be shorted by foreign material. Foreign materials of a conductive nature such as, but not limited to, steel wool, aluminum foil, or any buildup of metallic particles should be kept away from charger cavities. Always unplug the charger from the power supply when there is no battery pack in the cavity. Unplug charger before attempting to clean.

⚠ DANGER: 120 volts present at charging terminals. Do not probe with conductive objects. Danger of electric shock or electrocution.

⚠ WARNING: Don't allow any liquid to get inside charger. Electric shock may result.

- The charger and battery pack are specifically designed to work together. DO NOT attempt to charge the battery pack with any chargers other than the ones in this manual.
- These chargers are not intended for any uses other than charging DeWALT rechargeable batteries. Any other uses may result in risk of fire, electric shock or electrocution.
- To reduce risk of damage to electric plug and cord, pull by plug rather than cord when disconnecting charger.
- Make sure cord is located so that it will not be stepped on, tripped over, or otherwise subjected to damage or stress.
- An extension cord should not be used unless absolutely necessary. Use of improper extension cord could result in risk of fire, electric shock, or electrocution.
- An extension cord must have adequate wire size (AWG or American Wire Gauge) for safety. The smaller the gauge number of the wire, the greater the capacity of the cable, that is 16 gauge has more capacity than 18 gauge. When using more than one extension to make up the total length, be sure each individual extension contains at least the minimum wire size.

Recommended Minimum AWG Size for Extension Cords

Total Extension Cord Length (feet)		25	50	75	100	125	150	175
Wire Gauge		18	18	16	16	14	14	12

- The charger is ventilated through slots in the top and the bottom of the housing. Do not place any object on top of charger or place the charger on a soft surface that might block the ventilation slots and result in excessive internal heat. Place the charger in a position away from any heat source.
- Do not operate charger with damaged cord or plug — have them replaced immediately.
- Do not operate charger if it has received a sharp blow, been dropped, or otherwise damaged in any way; take it to an authorized service center.
- Do not disassemble charger; take it to an authorized service center when service or repair is required. Incorrect reassembly may result in a risk of electric shock, electrocution or fire.
- To reduce risk of electric shock, unplug charger from outlet before attempting any cleaning. Removing the battery pack will not reduce this risk.
- **NEVER** attempt to connect 2 chargers together.
- The charger is designed to operate on standard household electrical power (120 Volts AC). Do not attempt to use it on any other voltage! This does not apply to vehicular charger.

Chargers

Your battery can be charged in DeWALT 1 Hour Chargers, 15 Minute Chargers or Vehicular 12 volt charger. Be sure to read all safety instructions before using your charger.

Consult chart on back cover for compatibility of chargers and battery packs.

Charging Procedure

1 HOUR CHARGERS

1. Plug the charger into an appropriate power outlet.
2. Insert the battery pack into the charger, as shown in FIG.1, making sure the pack is fully seated in the charger. The red (charging) light will blink continuously indicating that the charging process has started.
3. The battery pack will be fully charged in about 1 hour. The completion of charge will be indicated by the red light remaining ON continuously. The pack is fully charged and may be used at this time or left in the charger.

15 MINUTE CHARGERS

1. Plug the charger into an appropriate power outlet. The charger will beep twice, the red light will blink and go off.
2. Insert the battery pack into the charger, as shown in FIG. 1, making sure the pack is fully seated in the charger. The red light will blink and the charger will beep once indicating the charging process has started.
3. The battery pack will be fully charged in less than 15 minutes under most conditions. This will be indicated by the red light remaining ON and 3 beeps. The pack is fully charged and may be used at this time or left in the charger.

WEAK BATTERY PACKS: The charger can also detect a weak battery. Such batteries are still usable but should not be expected to perform as much work. In such cases, about 10 seconds after battery insertion, the charger will beep rapidly 8 times to indicate a weak battery condition. The charger will then go on to charge the battery to the highest capacity possible.

ALL CHARGERS

LEAVING THE BATTERY PACK IN THE CHARGER: When the red light remains ON, the charger has switched to its "equalize charge" mode which lasts approximately 4 hours, after which the charger will switch to "maintenance charge" mode. The battery pack can be removed at any time during these charge cycles, but will only be fully

charged if the red light is continuously ON. The charger and battery pack can be left connected with the red light glowing indefinitely. The charger will keep the battery pack fresh and fully charged. A battery pack will slowly lose its charge when kept out of the charger. If the battery pack has not been kept on maintenance charge, it may need to be recharged before use. A battery pack may also slowly lose its charge if left in a charger that is not plugged into an appropriate AC source.

TROUBLE INDICATORS: These chargers are designed to detect certain problems that can arise with battery packs which would be indicated by the red light flashing at a fast rate (and continuous beeping for 15 Minute Chargers). If this occurs, re-insert battery pack. If problem persists, try a different battery pack to determine if the charger is OK. If the new pack charges correctly, then the original pack is defective and should be returned to a service center for recycling. If the new battery pack elicits the same trouble indication as the original, have charger tested at an authorized service center.

PROBLEM POWER LINE

If your charger has a Problem Power Line indicator: When the charger 'is used with some portable power sources such as generators or sources that convert DC to AC, the charger may temporarily suspend operation, **flashing the red light with two fast blinks followed by a pause**. This indicates the power source is out of limits.

HOT PACK DELAY

If your charger has a Hot Pack Delay feature: When the charger detects a battery that is hot, it automatically starts a Hot Pack Delay, suspending charging until the battery has cooled. After the battery has cooled, the charger automatically switches to the Pack Charging mode. This feature ensures maximum battery life. The red light flashes long, then short while in the Hot Pack Delay mode.

BATTERY PERFORMANCE

Some chargers have a tune-up feature optimizes battery pack performance. Your charger may provide Automatic Tune-Up™ Mode or manual (i.e. push button) Tune-Up™ mode. For information on this

feature, please see the appropriate section below. Because batteries slowly lose their charge when they are not on the charger, the best place to keep your battery pack is on the charger at all times.

Using Automatic Tune-Up™ Mode

The Automatic Tune-Up™ Mode equalizes or balances the individual cells in the battery pack allowing it to function at peak capacity. Battery packs should be tuned up after every 10th charge/ discharge cycle or whenever the pack no longer delivers the same amount of work. To use the automatic tune-up mode, simply place the battery pack in the charger and leave it for at least eight hours. The charger will cycle through the following modes.

1. The red light will blink continuously indicating that the 1-hour charge cycle has started.
2. When the 1-hour charge cycle is complete, the light will stay on continuously and will no longer blink. This indicates that the pack is fully charged and can be used at this time.
3. Whenever the pack is left in the charger after the initial 1-hour charge, the charger will begin the Automatic Tune-Up™ Mode. This mode continues up to 8 hours or until the individual cells in the battery pack are equalized. The battery pack is ready for use and can be removed at any time during the Tune-Up™ Mode.
4. Once the Automatic Tune-Up™ Mode is complete the charger will transition to a maintenance charge; no indicator light shows the completion of the Automatic Tune-Up™ Mode.

Using the Manual Tune-Up™ Mode

The manual Tune-up™ mode equalizes or balances the individual cells in the battery pack at its peak capacity. This mode takes up to 8 hours to complete. Battery packs should be tuned up weekly or after 10 to 20 charge/discharge cycles or whenever the pack no longer delivers the same amount of work.

1. To tune up your battery pack, place the battery in the charger as usual. The red light will blink continuously indicating that the charge cycle has started.

2. Press the Tune-Up™ Mode button any time after the charge cycle has started. The red light will stop blinking momentarily, blink quickly 3 times, and then resume blinking continuously. The charger is now tuning up the cells in your battery.
3. When the Tune-Up™ mode cycle is complete, the light will stay on continuously. The pack is fully charged and may be used at this time or left in the charger.
4. If you select Tune-Up™ Mode and then change your mind, remove the battery from the charger. After 5 seconds, insert the battery into the charger. The normal charge cycle will begin.

Important Charging Notes

1. Longest life and best performance can be obtained if the battery pack is charged when the air temperature is between 65°F and 75°F (18°- 24°C). DO NOT charge the battery pack in an air temperature below +40°F(+4.5°C), or above +105°F (+40.5°C). This is important and will prevent serious damage to the battery pack.
2. The charger and battery pack may become warm to touch while charging. This is a normal condition, and does not indicate a problem.
3. If the battery pack does not charge properly — (1) Check current at receptacle by plugging in a lamp or other appliance, (2) Check to see if receptacle is connected to a light switch which turns power off when you turn out the lights. (3) Move charger and battery pack to a location where the surrounding air temperature is approximately 65°F - 75°F (18°- 24°C). (4) If charging problems persist, take or send the tool, battery pack and charger to your local service center.
4. The battery pack should be recharged when it fails to produce sufficient power on jobs which were easily done previously. DO NOT CONTINUE to use under these conditions. Follow the charging procedure. You may also charge a partially used pack whenever you desire with no adverse affect on the battery pack.
5. Under certain conditions, with the charger plugged into the power supply, the exposed charging contacts inside the charger can be shorted by foreign material. Foreign materials of a conductive nature

such as, but not limited to, steel wool, aluminum foil, or any buildup of metallic particles should be kept away from charger cavities. Always unplug the charger from the power supply when there is no battery pack in the cavity. Unplug charger before attempting to clean.

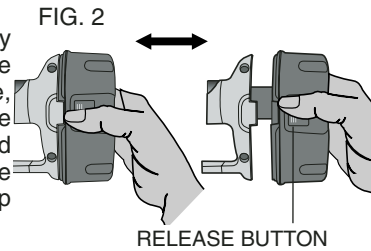
6. Do not immerse charger in water or any other liquid.

▲ WARNING: Don't allow any liquid to get inside charger. Electric shock may result. To facilitate the cooling of the battery pack after use, avoid placing the charger or battery pack in a warm environment such as in a metal shed, or an uninsulated trailer.

▲ CAUTION: Never attempt to open the battery pack for any reason. If the plastic housing of the battery pack breaks or cracks, return to a service center for recycling.

Installing and Removing the Battery Pack

NOTE: Make sure your battery pack is fully charged. To install the battery pack into the tool handle, align the base of the tool with the notch inside the tool's handle and slide the battery pack firmly into the handle until you hear the lock snap into place as shown in FIG. 2.



To remove the battery pack from the tool, press the release buttons and firmly pull the battery pack out of the tool handle. Insert it into the charger as described in the charger section of this manual.

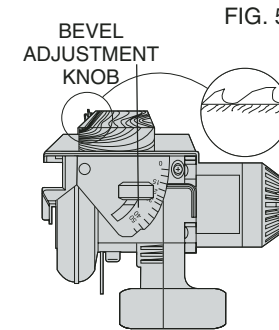
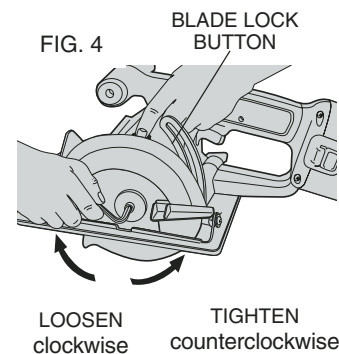
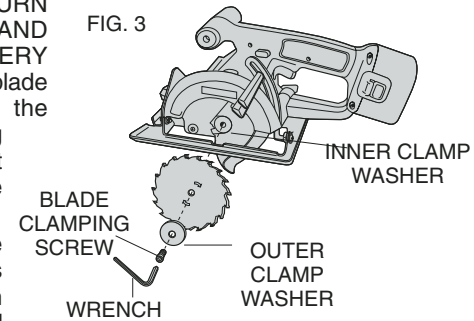
OPERATION Changing Blades

1. TURN OFF TOOL AND REMOVE BATTERY PACK.
2. To attach blade, retract lower blade guard and place blade over spindle and against the inner clamp washer. Place outer clamp washer against the blade. (Blade must go on with the printed side out—teeth at bottom of blade pointing forward—FIG. 3).

3. Thread on blade clamping screw firmly by hand to hold washer in position. (Screw has left hand threads and must be turned counterclockwise to tighten).
4. Lightly depress the blade lock (FIG. 4) while turning the spindle until the blade stops rotating.
5. Tighten blade clamping screw (counterclockwise) firmly with the blade wrench.

6. To remove blade, TURN OFF TOOL AND REMOVE BATTERY PACK. Engage the blade lock and unscrew the blade clamping screw by turning it clockwise with the blade wrench.

NOTE: Never engage blade lock while saw is running, or engage in an effort to stop the tool.



Never turn switch on when blade lock is engaged. Serious damage to your saw will result.

Blades

A dull blade will cause slow, inefficient cutting overload on the saw motor, excessive splintering, and could increase the possibility of kickback. Please refer to the table on next page for to determine the correct size replacement blade for your model saw.

Model	Blade	Dia.	Teeth	Application
DW930	DW9055	5-3/8"	16	General Purpose Cutting
DW935	DW9054	5-3/8"	24	Smooth/Finish Cutting
DW936	DW9052	5-3/8"	30	Aluminum Cutting
	DW9053	5-3/8"	78	Thin Material Cutting
DW939	DW9155	6-1/2"	16	General Purpose Cutting
	DW9154	6-1/2"	24	Smooth/Finish Cutting

If you need assistance regarding blades, please call 1-800-4-DeWALT (1-800-433-9258).

▲ CAUTION: Do not use abrasive discs or blades for cutting ferrous (steel) materials, masonry, glass or tile materials.

▲ WARNING: To minimize the risk of eye injury, always use eye protection. Carbide is a hard but brittle material. Foreign objects in the work piece such as wire or nails can cause tips to crack or break. Only operate saw when proper saw blade guard is in place. Mount blade securely in proper rotation before using, and always use a clean, sharp blade.

Cutting Depth Adjustment

1. TURN OFF TOOL AND REMOVE BATTERY PACK.
2. Hold the saw firmly and loosen (counterclockwise) the depth adjustment knob and move shoe to obtain the desired depth of cut.
3. Make sure the depth adjustment knob has been retightened (clockwise) before operating saw.

For the most efficient cutting action, set the depth adjustment so that one tooth of the blade will project below the material to be cut. This distance is from the tip of the tooth to the bottom of the gullet in front of it. This keeps blade friction at a minimum, removes sawdust from the cut, results in cooler, faster sawing and reduces the chance of kickback. A method for checking for correct cutting depth is shown in FIG. 5. Lay a piece of the material you plan to cut along the side of the blade, as shown, and observe how much tooth projects beyond the material.

NOTE: When using carbide-tipped blades, make an exception to the above rule and allow only one-half of a tooth to project below the material to be cut.

Bevel Angle Adjustment

The full range of the bevel adjustment is from 0° to 50°. The quadrant is graduated in increments of 5°. On the front of the saw is a bevel angle adjustment mechanism (FIG. 5) consisting of a calibrated quadrant and a knob. To set the saw for a bevel cut:

1. TURN OFF TOOL AND REMOVE BATTERY PACK.
2. Loosen (counterclockwise) the quadrant knob and tilt shoe to the desired angle by aligning the pointer with the desired angle mark. Retighten knob firmly (clockwise).

NOTE: The quadrant pointer, located between the quadrant knob and the quadrant, can be adjusted after loosening its screw. Retighten firmly after adjustment.

Shoe Adjustment for 90° Cuts

If additional adjustment is needed:

1. TURN OFF TOOL AND REMOVE BATTERY PACK.
2. Adjust the saw to 0° bevel.
3. Retract blade guard. Place the saw on blade side.
4. Loosen bevel adjustment knob. Place a square against the blade and shoe to adjust the 90° setting.
5. Move the adjustment screw so that the shoe will stop at the proper angle.

FIG. 6

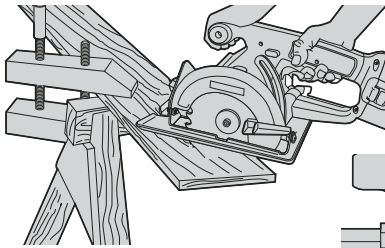


FIG. 7

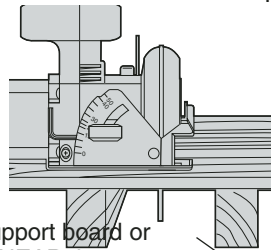
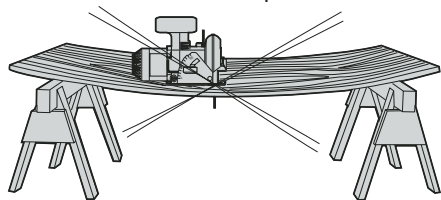


FIG. 8

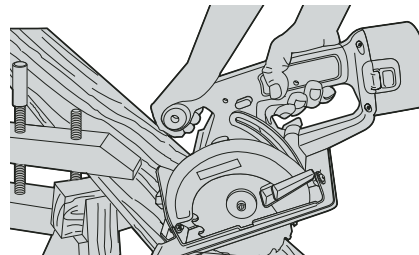


DO support board or panel NEAR the cut.

SUPPORT

DON'T support board or panel AWAY from the cut.

FIG. 9



6. Confirm the accuracy of the setting by checking the squareness of an actual cut on a scrap piece of material.

Kerf Indicator

The front of the saw shoe has a kerf indicator for vertical and bevel cutting. This indicator enables you to guide the saw along cutting lines penciled on the material being cut. The indicator lines up with the left (outer) side of the saw blade, which makes the slot or “kerf” cut by the moving blade fall to the right of the indicator. Guide along the penciled cutting line so that the kerf falls into the waste or surplus material..

Work Piece Support

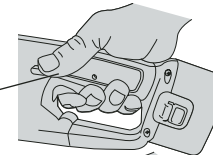
Figure 6 shows proper sawing position. Note that hands are kept away from cutting area. To avoid kickback, DO support board or panel NEAR the cut, (FIG. 7). DON'T support board or panel away from the cut, (FIG. 8).

▲ WARNING: It is important to support the work properly and to hold the saw firmly to prevent loss of control which could cause personal injury. FIG. 6 illustrates typical hand support of the saw. ALWAYS TURN OFF TOOL AND REMOVE BATTERY BEFORE MAKING ANY ADJUSTMENTS!

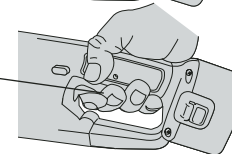
Place the work with its “good” side—the one on which appearance is most important—down. The saw cuts upward, so any splintering will be on the work face that is up when you cut it.

FIG. 10

SWITCH LOCK
OFF RELEASE
BUTTON



TRIGGER
SWITCH



Switch

Release lock off by pressing button as shown (Fig. 10). Pull the trigger switch to turn the motor ON. Releasing the trigger turns the motor OFF. Releasing the trigger also automatically actuates lock off button.

NOTE: This tool has no provision to lock the switch in the ON position, and should never be locked ON by any other means

Cutting

Place the wider portion of the saw shoe on that part of the work piece which is solidly supported, not on the section that will fall off when the cut is made. As examples, FIG. 6 illustrates the RIGHT way to cut off the end of a board. Always clamp work. Don't try to hold short pieces by hand! Remember to support cantilevered and overhanging material. Use caution when sawing material from below.

Be sure saw is up to full speed before blade contacts material to be cut. Starting saw with blade against material to be cut or pushed forward into kerf can result in kickback. Push the saw forward at a speed which allows the blade to cut without laboring. Hardness and toughness can vary even in the same piece of material, and knotty or damp sections can put a heavy load on the saw. When this happens, push the saw more slowly, but hard enough to keep working without much decrease in speed. Forcing the saw can cause rough cuts, inaccuracy, kickback, and over-heating of the motor. Should your cut begin to go off the line, don't try to force it back on. Release the switch and allow blade to come to a complete stop. Then you can withdraw the saw, sight anew, and start a new cut slightly inside the wrong one. In any event, withdraw the saw if you must shift the cut. Forcing a correction inside the cut can stall the saw and lead to kickback.

IF SAW STALLS, RELEASE THE TRIGGER AND BACK THE SAW UNTIL IT IS LOOSE. BE SURE BLADE IS STRAIGHT IN THE CUT AND CLEAR OF THE CUTTING EDGE BEFORE RESTARTING.

As you finish a cut, release the trigger and allow the blade to stop before lifting the saw from the work. As you lift the saw, the spring-tensioned telescoping guard will automatically close under the blade.

Remember the blade is exposed until this occurs. Never reach under the work for any reason. When you have to retract the telescoping guard manually (as is necessary for starting pocket cuts) always use the retracting lever.

NOTE: When cutting thin strips, be careful to ensure that small cutoff pieces don't hang up on inside of lower guard.

RIPPING

Ripping is the process of cutting wider boards into narrower strips-cutting grain lengthwise. Hand guiding is more difficult for this type of sawing and some type of guide should be used.

POCKET CUTTING (FIG. 9)

TURN OFF TOOL AND REMOVE BATTERY PACK BEFORE ADJUSTING.

A pocket cut is one that is made in a floor, wall, or other flat surface. Adjust saw shoe so blade cuts at desired depth. Tilt saw forward and rest front of the shoe on material to be cut. Using the retracting lever, retract blade guard to an upward position. Lower rear of shoe until blade teeth almost touch cutting line. Now release the blade guard (its contact with the work will keep it in position to open freely as you start the cut). Start the motor and gradually lower the saw until its shoe rests flat on the material to be cut. Advance saw along the cutting line until cut is completed. Release trigger and allow blade to stop completely before withdrawing the blade from the material. When starting each new cut, repeat as above. Never tie the blade guard in a raised position. Never move the saw backwards when pocket cutting. This may cause the unit to raise up off of the work surface which could cause injury.

Cleaning

Use only mild soap and a damp cloth to clean the tool. Many household cleaners contain chemicals which could seriously damage plastic. Also, do not use gasoline, turpentine, lacquer or paint thinner, dry cleaning fluids or similar products. Never let any liquid get inside the tool; never immerse any part of the tool into a liquid.

Lubrication

Self lubricating ball and roller bearings are used in the tool and relubrication is not required. However, it is recommended that, once a year, you take or send the tool to a certified service center for a thorough cleaning, inspection, and lubrication of the gear case.

Accessories

Recommended accessories for use with your tool are available at extra cost from your local service center.

If you need any assistance in locating any accessory, please contact D_EWALT Industrial Tool Co., 701 East Joppa Road, Baltimore, MD 21286 or call 1-800-732-4441.

▲ CAUTION: *The use of any other accessory or attachment may be hazardous. Water feed attachments are not recommended for use with this tool.*

Repairs

To assure product SAFETY and RELIABILITY, repairs, maintenance and adjustment (including brush inspection and replacement) should be performed by authorized service centers or other qualified service organizations, always using identical replacement parts.

Three Year Limited Warranty

D_EWALT will repair, without charge, any defects due to faulty materials or workmanship for three years from the date of purchase. This warranty does not cover part failure due to normal wear or tool abuse. For further detail of warranty coverage and warranty repair information, visit www.dewalt.com or call 1-800-4-D_EWALT (1-800-433-9258). This warranty does not apply to accessories or damage caused where repairs have been made or attempted by others. This warranty gives you specific legal rights and you may have other rights which vary in certain states or provinces.

In addition to the warranty, D_EWALT tools are covered by our:

1 YEAR FREE SERVICE

D_EWALT will maintain the tool and replace worn parts caused by normal use, for free, any time during the first year after purchase.

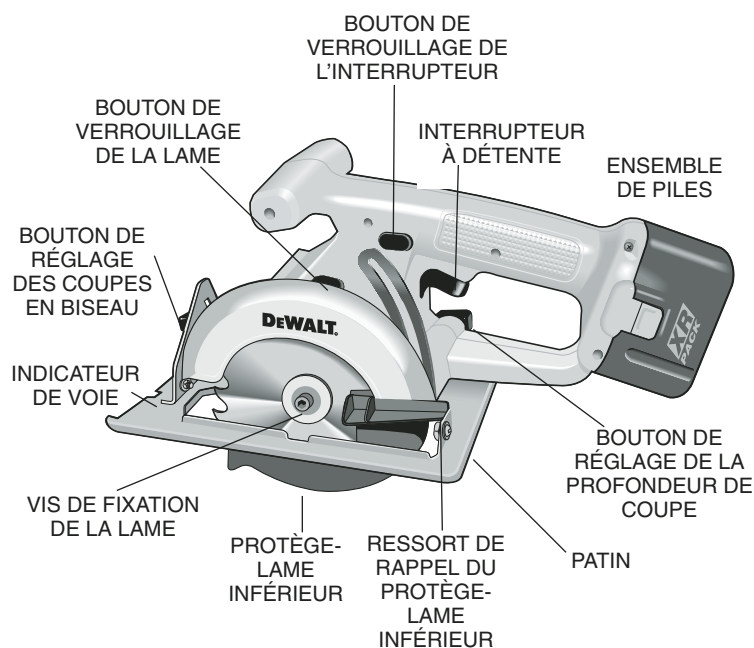
90 DAY MONEY BACK GUARANTEE

If you are not completely satisfied with the performance of your D_EWALT Power Tool, Laser, or Nailer for any reason, you can return it within 90 days from the date of purchase with a receipt for a full refund – no questions asked.

FREE WARNING LABEL REPLACEMENT: If your warning labels become illegible or are missing, call 1-800-4-DEWALT for a free replacement.

POUR TOUT RENSEIGNEMENT SUPPLÉMENTAIRE SUR CET OUTIL OU TOUT AUTRE OUTIL DeWALT, COMPOSEZ SANS FRAIS LE NUMÉRO :

1 800 4-DeWALT (1-800-433-9258)



DW930	Ébouteuse sans fil de 12,0 volts	2 500 trs/min
DW935	Ébouteuse sans fil de 14,4 volts	3 000 trs/mi
DW936	Ébouteuse sans fil de 18,0 volts	3 200 trs/min
DW939	Scie Circulaire sans fil de 18,0 volts	3 700 trs/min

SI VOUS AVEZ DES QUESTIONS OU VOULEZ NOUS FAIRE PART DE VOS COMMENTAIRES CONCERNANT CET OUTIL OU TOUT AUTRE OUTIL DeWALT, COMPOSEZ SANS FRAIS LE :

1 800 433-9258.

Règles générales de sécurité concernant les outils à piles

⚠ AVERTISSEMENT! Lire et comprendre toutes les directives, car le non-respect des directives suivantes peut entraîner un choc électrique, un incendie ou des blessures graves.

CONSERVER CES DIRECTIVES

ZONE DE TRAVAIL

- **Garder la zone de travail propre et bien éclairée;** les établis encombrés et les endroits sombres sont propices aux accidents.
- **Ne pas utiliser les outils électriques dans une atmosphère explosive, comme à proximité de liquides, de gaz ou de poussières inflammables;** le moteur peut créer des étincelles et enflammer les vapeurs ou les poussières environnantes.
- **Tenir les enfants, les visiteurs ou toute autre personne à l'écart lorsqu'on utilise un outil électrique;** les distractions peuvent faire perdre la maîtrise de ce dernier.

MESURES DE SÉCURITÉ : ÉLECTRICITÉ

- **Ne pas utiliser le cordon de manière abusive; on ne doit pas transporter l'outil en le tenant par le cordon.** On doit tenir le cordon à l'écart des sources de chaleur, de l'huile, des bords tranchants ou des pièces mobiles. Remplacer immédiatement les cordons endommagés, car ces derniers augmentent les risques d'incendie.
- **Un outil à piles intégrées ou à bloc-piles externe doit être rechargé seulement au moyen du chargeur approprié, car un chargeur destiné à une pile particulière peut entraîner un risque d'incendie lorsqu'il est utilisé avec une autre.**

Français

- **N'utiliser l'outil à piles qu'avec le bloc-piles désigné**, car l'utilisation d'un autre type de piles peut entraîner un risque d'incendie.

SÉCURITÉ PERSONNELLE

- **Restez vigilant en tout temps et faire preuve de jugement lorsqu'on utilise un outil électrique**; ne pas utiliser l'outil lorsqu'on est fatigué ou sous l'influence de drogues, d'alcool ou de médicaments, car un moment d'inattention peut entraîner des blessures graves.
- **Porter des vêtements appropriés**; ne pas porter de vêtements amples ni de bijoux. Couvrir ou attacher les cheveux longs. Garder les cheveux, les vêtements, les bijoux et les gants éloignés des pièces mobiles, car ceux-ci peuvent s'y coincer. Se tenir éloigné des événements puisque ces derniers pourraient camoufler des pièces mobiles.
- **Éviter les démarrages accidentels**; s'assurer que l'interrupteur soit placé en position de verrouillage ou d'arrêt avant d'insérer le bloc-piles. Ne pas transporter l'outil en laissant le doigt sur l'interrupteur ni insérer le bloc-piles lorsque l'outil est en position de marche, car cela pourrait causer un accident.
- **Retirer les clés de réglage avant de démarrer l'outil**; une clé laissée sur une pièce rotative peut entraîner des blessures.
- **Ne pas trop étendre les bras**; les pieds doivent rester ancrés fermement sur le sol afin de maintenir son équilibre en tout temps et de mieux maîtriser l'outil dans des situations imprévues.
- **Utiliser le matériel de sécurité approprié**; toujours porter des lunettes de protection. Porter un masque anti-poussières, des chaussures antidérapantes, un casque de sécurité ou des protecteurs auditifs lorsque la situation le requiert.

UTILISATION ET ENTRETIEN DE L'OUTIL

- **Fixer et soutenir l'ouvrage sur une plate-forme stable au moyen d'un étau ou de tout autre dispositif semblable**; l'ouvrage est instable lorsqu'on le retient manuellement ou qu'on l'appuie contre le corps, ce qui peut faire perdre la maîtrise de l'outil.

- **Ne pas forcer l'outil ni l'utiliser pour des travaux autres que ceux pour lesquels il a été conçu**. Pour obtenir de meilleurs résultats et prévenir les risques de blessure, laisser l'outil couper à la vitesse pour laquelle il a été conçu.
- **Ne pas utiliser l'outil lorsque l'interrupteur de marche-arrêt ne fonctionne pas**; tout outil qui ne peut être commandé au moyen de l'interrupteur est dangereux et doit être réparé.
- **Débrancher le bloc-piles de l'outil ou mettre l'interrupteur en position de verrouillage ou d'arrêt avant d'effectuer un réglage, de changer les accessoires ou de ranger l'outil**; ces mesures de sécurité préventives réduisent les risques de démarrage accidentel.
- **Lorsqu'on n'utilise pas l'outil, le ranger hors de la portée des enfants ou des personnes non qualifiées**; les outils sont dangereux entre les mains de personnes inexpérimentées.
- **Lorsqu'on n'utilise pas le bloc-piles, le ranger à l'écart des objets métalliques tels que les trombones**, les pièces de monnaie, les clés, les clous, les vis ou autres petits objets susceptibles de conduire l'électricité entre les bornes et d'occasionner ainsi des étincelles, des brûlures ou un incendie.
- **Bien entretenir l'outil**; s'assurer qu'il soit toujours bien propre et aiguisé. Les outils bien entretenus et dont les bords sont bien tranchants sont moins susceptibles de rester coincés et sont plus faciles à maîtriser.
- **Vérifier les pièces mobiles afin de s'assurer qu'elles soient bien alignées et qu'elles ne restent pas coincées; vérifier également les pièces afin de s'assurer qu'il n'y ait aucun bris ni aucune autre condition susceptible de nuire au bon fonctionnement de l'outil**. Faire réparer l'outil si ce dernier est endommagé avant de s'en servir à nouveau, car les accidents sont souvent causés par des outils mal entretenus.
- **N'utiliser que les accessoires recommandés par le fabricant pour le modèle concerné**; un accessoire destiné à un outil particulier peut devenir dangereux lorsqu'il est utilisé avec un autre.

ENTRETIEN

- **L'outil doit être entretenu ou réparé par le personnel qualifié seulement**; toute maintenance effectuée par une personne non qualifiée peut entraîner des risques de blessure.
- **Lors de l'entretien, n'utiliser que des pièces de rechange identiques** et suivre les directives de la section «Entretien» du présent manuel afin de prévenir les risques de choc électrique ou de blessure.

Règles de sécurité additionnelles concernant les scies

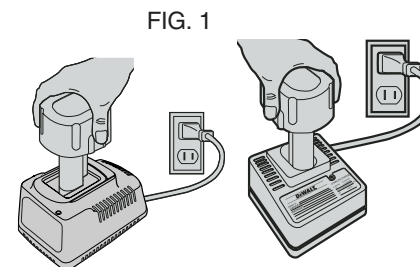
▲ **DANGER!** Garder les mains éloignées des zones de coupe et de la lame. Toujours tenir l'outil en plaçant une main sur la poignée auxiliaire ou le carter du moteur; on protège ses mains en les utilisant toutes les deux pour tenir l'outil.

- Toujours se placer d'un côté ou de l'autre de la lame en évitant de se tenir dans son trajet, car la scie pourrait reculer brusquement par suite d'un **REBOND**. (Voir la section «**REBOND**» du présent manuel).
- Ne pas mettre les mains sous l'ouvrage car il n'y a aucune protection contre la lame à cet endroit.
- Vérifier le protège-lame inférieur afin de s'assurer qu'il soit bien fermé avant d'utiliser l'outil; ne pas faire fonctionner ce dernier si le protège-lame ne se déplace pas librement ou s'il ne se ferme pas instantanément. Ne jamais le bloquer en position ouverte. Si on échappe la scie, soulever le protège-lame inférieur au moyen du levier d'escamotage et le vérifier afin de s'assurer qu'il n'y ait aucun dommage, qu'il se déplace librement et qu'il n'entre pas en contact avec la lame ou toute autre pièce de l'outil, quel que soit l'angle et la profondeur de coupe.
- S'assurer que le ressort du protège-lame inférieur soit en bon état de fonctionnement; sinon, on doit lui faire subir un entretien avant d'utiliser l'outil. Le protège-lame peut être difficile à déplacer en présence de pièces endommagées, de dépôts gommeux ou de débris accumulés.

CHARGEUR EN 15 MINUTES



CHARGEURS EN UNE HEURE



- On ne doit escamoter manuellement le protège-lame inférieur que pour réaliser une coupe spéciale, complexe ou à partir de l'intérieur d'un matériau. Pour ce faire, on doit le soulever au moyen du levier d'escamotage, relâchant ce dernier dès que la lame mord dans l'ouvrage. Le protège-lame s'escamote automatiquement pour tous les autres types de coupe.
- Toujours s'assurer que le protège-lame inférieur recouvre la lame avant de déposer la scie sur le plancher ou sur un établi, car, sans protection, une lame qui tourne encore fait reculer la scie, coupant tout ce qui se trouve sur son passage. Il est en outre bon de savoir combien de temps la lame prend pour s'arrêter une fois l'interrupteur relâché.
- **Ne JAMAIS** tenir l'ouvrage dans ses mains ou le placer de travers sur ses jambes pour le couper. Il est important de soutenir l'ouvrage correctement afin d'éviter d'exposer des parties du corps à la lame, de coincer cette dernière ou encore, de perdre la maîtrise de l'outil.
- Tenir l'outil par les surfaces isolées prévues à cette fin lorsqu'il risque d'entrer en contact avec des fils cachés, car de tels contacts peuvent mettre les pièces métalliques de l'outil sous tension, engendrant des risques de choc électrique.

- *Toujours utiliser un guide de refend ou de bord droit lorsqu'on effectue une coupe en long afin d'assurer la précision de cette dernière et d'éviter de coincer la lame.*
- *Toujours utiliser une lame munie d'un arbre dont les orifices sont de dimension et de forme appropriées (ronds ou en losanges); les lames qui ne correspondent pas aux éléments de fixation de la scie tourneront de manière excentrique, faisant perdre la maîtrise de l'outil.*
- *Ne jamais utiliser de rondelles ou de boulons endommagés ou autres que ceux qui ont été conçus pour la scie, afin d'obtenir un rendement optimal et de travailler en toute sécurité.*

Causes du rebond et mesures préventives

- *Le REBOND est une réaction soudaine de l'outil causée par une lame pincée, bloquée ou mal alignée, occasionnant la perte de maîtrise de la scie, qui se soulève et se détache de l'ouvrage en direction de l'opérateur.*
- *Lorsque la lame reste coincée ou est immobilisée par une entaille qui se referme, l'arrêt de la lame et la réaction du moteur entraîne un recul brusque de l'outil vers l'opérateur.*
- *Si la lame se tord ou est mal alignée, les dents arrière peuvent s'engager sur le dessus de l'ouvrage, faisant grimper la lame hors de l'entaille et rebondir l'outil en direction de l'opérateur.*
- *Le rebond découle d'une mauvaise utilisation ou du mauvais fonctionnement de l'outil; on peut l'éviter en prenant les précautions suivantes.*
- *Tenir fermement l'outil des deux mains et placer le corps et les bras de manière à pouvoir maîtriser les effets du rebond; le rebond peut être maîtrisé si l'opérateur prend les précautions nécessaires.*
- *Lorsque la lame se coince ou qu'on veut interrompre une coupe pour quelle que raison que ce soit, relâcher l'interrupteur à gâchette et maintenir la scie immobile dans l'ouvrage, jusqu'à ce que la lame s'arrête complètement. Ne jamais tenter de retirer la scie de l'ouvrage ou de la tirer vers soi avant que la lame ne se soit immobilisée complètement afin d'éviter le rebond. Vérifier l'ouvrage*

afin de déterminer la cause du coincement et de prendre les mesures correctives qui s'imposent.

- *Lorsqu'on remet la scie en marche, centrer la lame dans l'entaille et s'assurer que les dents ne soient pas engagées dans l'ouvrage. Si la lame se coince, la scie peut grimper hors de l'entaille ou faire un rebond lorsqu'on la redémarre.*
- *Soutenir les grands panneaux afin d'éviter autant que possible de coincer la lame et d'engendrer un REBOND. Les grands panneaux tendent à s'affaisser sous leur poids et doivent être soutenus de chaque côté, près de la ligne de coupe et du bord du panneau.*
- *Ne pas utiliser de lames usées ou endommagées, car celles-ci produisent des entailles plus étroites, ce qui peut causer une friction excessive, coincer la lame et engendrer un rebond.*
- *Bien verrouiller les leviers de réglage de profondeur et d'angle de biseau avant d'amorcer une coupe; si ces leviers se déplacent durant la coupe, la lame peut se coincer et entraîner un REBOND.*
- *On doit faire particulièrement attention lorsqu'on effectue une coupe «interne» dans un mur ou endroit difficile à voir, car la lame peut couper des objets cachés qui risquent d'occasionner un rebond.*

Consignes de sécurité additionnelles

- **ÉVITER DE COUPER DES CLOUS;** s'assurer que le bois de sciage soit exempt de clous avant de procéder à la coupe.
- ▲ **MISE EN GARDE :** lorsqu'on effectue une coupe dans un mur, un plancher ou dans un endroit où l'on risque d'entrer en contact avec des fils cachés, toujours tenir l'outil par les poignées en plastique prévues à cette fin, car de tels contacts peuvent mettre les pièces métalliques de l'outil sous tension et engendrer des risques de choc électrique.
- ▲ **ATTENTION:** Quelques outils avec de grands paquets de batterie se tiendront droits sur le paquet de batterie mais peuvent être facilement frappés plus de. Quand pas en service, placez l'outil de son côté sur une surface stable où il ne causera pas un risque de déclenchement ou en chute.
- ▲ **MISE EN GARDE :** porter un dispositif de protection personnel anti-bruit approprié durant l'utilisation. Sous certaines conditions et

pendant toute la durée de l'utilisation, le bruit émanant de ce produit pourrait contribuer à la perte d'audition.

⚠ AVERTISSEMENT : Certains outils, tels que les sableuses électriques, les scies, les meules, les perceuses ou certains autres outils de construction, peuvent soulever de la poussière contenant des produits chimiques susceptibles d'entraîner le cancer, des malformations congénitales ou pouvant être nocifs pour le système reproductif. Parmi ces produits chimiques, on retrouve :

- le plomb dans les peintures à base de plomb;
- la silice cristalline dans les briques et le ciment et autres produits de maçonnerie;
- l'arsenic et le chrome dans le bois de sciage ayant subi un traitement chimique.

Le risque associé à de telles expositions peut varier selon la fréquence avec laquelle on effectue ces travaux. Pour réduire l'exposition à de tels produits, il faut travailler dans un endroit bien ventilé et utiliser l'équipement de sécurité approprié tel un masque anti-poussières spécialement conçu pour filtrer les particules microscopiques.

- **Éviter tout contact prolongé avec la poussière soulevée par cet outil ou autres outils électriques. Porter des vêtements de protection et nettoyer les parties exposées du corps avec de l'eau savonneuse.** S'assurer de bien se protéger afin d'éviter d'absorber par la bouche, les yeux ou la peau des produits chimiques nocifs.
- L'étiquette de l'outil peut comporter les symboles suivants.

V	volts	A	ampères
Hz	hertz	W	watts
min	minutes	~	courant alternatif
====	courant continu	no	sous vide
☐	Construction de classe II	⊖	borne de mise à la minute
.../min	tours ou à la minute	⚠	symbole d'avertissement

Importantes consignes de sécurité concernant le bloc-piles

Le bloc-piles n'est pas complètement chargé au moment de sa livraison! Avant de le charger, lire attentivement toutes les consignes de sécurité énumérées ci-dessous, ainsi que les remarques, les notes et les méthodes de chargement.

L'outil fonctionne sur un bloc-piles DEWALT de 12,0, 14,4 ou 18 volts. Lorsqu'on commande un bloc-piles de rechange, on doit indiquer le numéro de catalogue et la tension requise.

- Ne pas incinérer le bloc-piles, même s'il a subi des dommages importants ou s'il est usé complètement, car il pourrait exploser en présence de flammes.
- Les cellules du bloc-piles peuvent subir une fuite légère par suite d'un usage extrême ou d'une exposition à certaines températures; ceci n'indique pas un problème. Cependant, si le scellant externe est percé et le liquide entre en contact avec la peau, on doit :
 - a) se laver rapidement la partie du corps touchée avec de l'eau savonneuse;
 - b) neutraliser l'effet au moyen d'un acide doux tel que du jus de citron ou du vinaigre;
 - c) si les yeux sont touchés, les rincer à fond avec de l'eau propre pendant au moins 10 minutes et consulter immédiatement un médecin. (Remarque aux fins médicales : ce liquide contient une solution composée de 25 à 35 % d'hydroxyde de potassium.)
- Ne pas transporter de bloc-piles supplémentaires dans un tablier, une poche ou une boîte à outils contenant des objets métalliques, car le bloc-pile pourrait causer un court-circuit et s'endommager, ou risquer de provoquer de graves brûlures ou un incendie.
- Ne charger les bloc-piles qu'au moyen d'un chargeur DEWALT.

REMARQUE : le bloc-piles contient des piles au nickel-cadmium. Le cadmium est considéré comme une substance toxique par les agences de protection de l'environnement, dont le ministère de l'Environnement; on recommande donc de vérifier auprès de l'agence concernée avant de mettre au rebut des bloc-piles au nickel-cadmium

usés ou endommagés afin de se renseigner sur les dispositions particulières qui s'appliquent dans votre région à ce sujet, ou de retourner les bloc-piles usés ou endommagés à un centre de service qualifié DeWALT afin qu'ils puissent être recyclés.

- **NE PAS** ranger ni utiliser l'outil ou le bloc-piles dans des endroits où la température peut atteindre ou dépasser 40,5 °C (105 °F), comme les cabanons ou les bâtiments en revêtement métallique durant l'été.

⚠ **DANGER** : ne jamais tenter d'ouvrir le bloc-piles pour quelle que raison que ce soit. Si le compartiment se rupture ou subit des dommages, ne pas l'insérer dans le chargeur afin d'éviter les risques de choc électrique ou d'électrocution. On doit retourner les bloc-piles endommagés à un centre de service afin qu'ils puissent être recyclés.

REMARQUE : un capuchon est fourni avec la pile en vue d'être utilisé chaque fois qu'on retire cette dernière de l'outil ou du chargeur en vue de la ranger ou de la transporter; enlever le capuchon avant de remettre la pile dans le chargeur ou dans l'outil.

⚠ **AVERTISSEMENT** : s'assurer, au moment de ranger ou de transporter la pile, qu'aucun objet métallique n'entre en contact avec les bornes à découvert de la pile. Par exemple, il faut éviter de placer une pile sans capuchon dans un tablier, une poche, une boîte à outils ou un tiroir (etc.) contenant des objets tels que des clous, des vis ou des clés, car la pile pourrait causer un court-circuit et s'endommager, ou risquer de provoquer des brûlures ou un incendie.



Le Sceau RBRC^{mc}

Le sceau RBRC^{mc} de l'ensemble de piles au nickel-cadmium indique que DeWALT participe volontairement à un programme du monde industriel qui a pour objet de ramasser et de recycler ces ensembles de piles à la fin de leur vie utile, si on s'en débarrasse aux États-Unis. Le programme RBRC^{mc} offre une solution de rechange pratique à la mise au rebut des ensembles de piles au nickel-cadmium usés, que ce soit à la poubelle ou dans le système municipal car cette mise au rebut est illégale dans certains endroits.



Grâce à la contribution de DeWALT au RBRC^{mc}, il suffit de laisser un ensemble de piles usé chez les détaillants qui vendent des piles au nickel-cadmium de rechange ou dans un centre de service DeWALT autorisé. On peut également se renseigner auprès de son centre local de recyclage pour savoir comment se débarrasser d'un ensemble de piles usé. DeWALT fait partie de ce programme en raison de son engagement à protéger l'environnement et à préserver les ressources naturelles.

RBRC^{mc} est une marque de commerce de l'organisme américain Rechargeable Battery Recycling Corporation.

Importantes consignes de sécurité concernant les chargeurs

CONSERVER CES DIRECTIVES – Le présent manuel contient d'importantes consignes de sécurité concernant les chargeurs DeWALT.

- **Avant d'utiliser le chargeur, lire toutes les directives et étiquettes** de mise en garde apposées sur le chargeur, la pile et le produit utilisant la pile.

⚠ **MISE EN GARDE** : afin de réduire les risques de blessure, ne charger que des piles au nickel-cadmium rechargeables DeWALT, car les autres pourraient éclater et entraîner des blessures ou des dommages matériels.

⚠ **MISE EN GARDE** : dans certaines conditions, lorsque le chargeur est enfiché, les raccords de charge à nu situés à l'intérieur du chargeur peuvent subir un court-circuit lorsqu'ils entrent en contact avec une matière étrangère. Les matières conductives comme la laine d'acier, la feuille d'aluminium ou les particules métalliques, mais sans toutefois s'y limiter, doivent être tenus à l'écart des cavités du chargeur. Toujours débrancher celui-ci lorsque le bloc-piles n'y est pas inséré ou avant de le nettoyer.

⚠ **DANGER** : les bornes du chargeur conduisent une tension de 120 volts; on ne doit pas les toucher au moyen d'objets conducteurs afin d'éviter les risques de choc électrique ou d'électrocution.

▲ AVERTISSEMENT : ne jamais laisser de liquide s'infiltrer à l'intérieur du chargeur afin d'éviter les risques de choc électrique.

- Le chargeur et le bloc-piles sont conçus spécialement pour être utilisés ensemble; **NE PAS** charger le bloc-piles au moyen d'un chargeur autre que ceux décrits dans le présent manuel.
- N'utiliser ces derniers que pour charger les piles rechargeables DEWALT; tout autre usage peut entraîner des risques d'incendie, de choc électrique ou d'électrocution.
- Afin de réduire les risques de dommage à la fiche ou au cordon électrique, débrancher le chargeur en saisissant la fiche, non le cordon.
- S'assurer que le cordon soit placé de manière à éviter qu'il ne subisse des dommages ou des contraintes ou que les personnes s'y prennent les pieds et trébuchent.
- Ne pas utiliser de rallonge à moins que cela ne soit absolument nécessaire, car l'usage d'une rallonge ayant une puissance inadéquate pourrait causer des risques d'incendie, de choc électrique ou d'électrocution.
- Afin d'assurer la sécurité de l'utilisateur, la rallonge doit être de calibre AWG approprié. Plus le calibre est petit, plus la capacité est grande; autrement dit, une rallonge de calibre 16 est plus puissante qu'une rallonge de calibre 18. Lorsqu'on utilise plusieurs rallonges pour obtenir la longueur voulue, s'assurer que chacune d'elles présente les valeurs minimales requises.

Calibre minimal des cordons de rallonge

Longueur totale du cordon

25 ft.	50 ft.	75 ft.	100 ft.	125 ft.	150 ft.	175 ft.
7.6 m	15.2 m	22.9 m	30.5 m	38.1 m	45.7 m	53.3 m

Intensité

18 AWG	18 AWG	16 AWG	16 AWG	14 AWG	14 AWG	12 AWG
--------	--------	--------	--------	--------	--------	--------

- Le chargeur s'aère par l'entremise de fentes situées sur le dessus et le dessous du logement; ne jamais mettre un objet sur le dessus du chargeur ni placer celui-ci sur une surface molle risquant

d'obstruer les fentes de ventilation, ce qui pourrait causer une chaleur interne excessive. Tenir le chargeur éloigné de toute source de chaleur.

- Ne pas faire fonctionner le chargeur lorsque le cordon ou la fiche est endommagé. Si tel est le cas, les remplacer immédiatement.
- Ne pas faire fonctionner le chargeur s'il a subi un coup important, une chute ou des dommages quelconques. Si cela se produit, l'emporter à un centre de service autorisé.
- Ne pas démonter le chargeur, car un mauvais assemblage pourrait occasionner des risques de choc électrique, d'électrocution ou d'incendie. Le chargeur doit être retourné à un centre de service autorisé aux fins d'une réparation ou d'un entretien, le cas échéant.
- Afin de réduire les risques de choc électrique, débrancher le chargeur de la prise murale avant de procéder au nettoyage; le seul fait d'enlever le bloc-piles ne réduit pas ce risque.
- **Ne JAMAIS** brancher deux chargeurs ensemble.
- Le chargeur est conçu pour être utilisé sur une prise résidentielle standard de 120 volts c.a. Ne pas tenter de le brancher sur une prise autre que celle pour laquelle il a été conçu (cette directive ne s'applique pas aux chargeurs pour véhicules).

Chargeurs

Les piles DEWALT peuvent être chargées au moyen d'un chargeur DEWALT d'une heure ou de 15 minutes, ou d'un chargeur pour véhicules de 12 volts. S'assurer de lire toutes les consignes de sécurité avant d'utiliser le chargeur.

Consulter le diagramme apparaissant sur le couvercle arrière afin de vérifier la compatibilité du chargeur avec le bloc-piles.

Méthode de chargement

CHARGEURS D'UNE HEURE

1. Enficher le chargeur dans une prise appropriée.
2. Insérer le bloc-piles dans le chargeur, tel qu'illustré à la FIG. 1, en s'assurant de bien l'enfoncer. Le voyant (de charge) rouge clignotera, indiquant que le cycle de charge est amorcé.

3. Le bloc-piles est complètement chargé après environ une heure. Le voyant rouge restera allumé, indiquant que le bloc-piles est complètement rechargé; on peut alors le réutiliser ou le laisser dans le chargeur.

CHARGEURS DE 15 MINUTES

1. Enficher le chargeur dans une prise appropriée; une fois alimenté, il émet deux signaux sonores et le voyant rouge clignote puis s'éteint.
2. Insérer le bloc-piles dans le chargeur, tel qu'illustré à la FIG. 1, en s'assurant de bien l'enfoncer. Le voyant rouge clignotera continuellement et le chargeur émettra un seul signal sonore pour indiquer que le cycle de charge est amorcé.
3. Dans la plupart des cas, le bloc-piles requiert moins de 15 minutes pour se charger complètement. Le voyant rouge reste allumé et le chargeur émet trois signaux sonores pour indiquer que le bloc-piles est complètement rechargé; on peut alors le réutiliser ou le laisser dans le chargeur.

BLOC-PILES FAIBLE : on peut aussi utiliser le chargeur pour déterminer si une pile est faible. Bien qu'on puisse continuer à utiliser une pile faible, elle ne procurera pas un plein rendement. Si tel est le cas, 10 secondes après l'insertion de la pile, le chargeur émettra rapidement huit signaux sonores pour indiquer qu'il s'agit d'une pile faible, puis chargera la pile jusqu'à sa pleine capacité.

CHARGEURS DE TOUT TYPE

BLOC-PILES LAISSÉ DANS LE CHARGEUR. Lorsque le voyant rouge reste allumé, cela signifie que le chargeur s'est placé en mode d'égalisation de charge, lequel peut rester ainsi pendant environ 4 heures. Après ce délai, le chargeur se placera en mode de tenue de charge. Bien que le bloc-piles puisse être retiré pendant n'importe quel de ces cycles, il n'est complètement chargé que lorsque le voyant rouge reste allumé continuellement. On peut laisser le chargeur (avec un bloc-piles inséré) raccordé à une prise tant que le voyant rouge reste allumé; le chargeur maintient alors la charge du bloc-piles afin

que ce dernier soit prêt à être utilisé. Un bloc-piles perd graduellement sa charge s'il n'est pas gardé dans le chargeur. Un bloc-piles n'étant pas maintenu en mode de tenue de charge devra probablement être rechargé avant son utilisation. Un bloc-piles peut graduellement perdre sa charge s'il est laissé dans un chargeur qui n'est pas enfiché dans une source d'alimentation à courant alternatif appropriée.

INDICATEURS D'ANOMALIE.

Les chargeurs sont conçus pour détecter certains problèmes pouvant être reliés aux bloc-piles. Ces problèmes sont indiqués par le clignotement rapide du voyant rouge et, dans le cas des chargeurs de 15 minutes, par un signal sonore continu. Si un tel problème survient, réinsérer le bloc-piles dans le chargeur. Si le problème persiste, remplacer le bloc-piles afin de déterminer si le chargeur fonctionne bien. Si le bloc-piles de rechange se charge correctement, cela signifie que le bloc initial est défectueux et qu'on doit le retourner à un centre de service afin qu'il puisse être recyclé. Si le bloc-piles neuf affiche le même problème que le bloc initial, on doit faire vérifier le chargeur à un centre de service autorisé.

PROBLÈMES RELIÉS À LA SOURCE DE COURANT

Les chargeurs munis d'un voyant d'indication de problème au niveau de la source de courant peuvent suspendre temporairement le chargement s'ils sont branchés dans une source d'alimentation portative, comme une génératrice ou un convertisseur de courant continu en courant alternatif. En présence d'un tel problème, le voyant rouge émet deux clignotements rapides, suivis d'une pause, indiquant que le problème se situe au niveau de la source de courant.

DISPOSITIF DE DÉTECTION DE PILES CHAUDES

Si le chargeur est muni d'un dispositif visant à détecter les piles chaudes, le chargement sera retardé jusqu'à ce que la pile se soit refroidie et le chargeur se placera automatiquement en position de chargement; ce dispositif sert à maximiser la durée de vie des piles. Le voyant rouge s'allume longuement, et ensuite brièvement lorsque ce dispositif est en marche.

L'EXÉCUTION de BATTERIE

L'EXÉCUTION de BATTERIE que quelques chargeurs ont un dispositif de mise au point optimise l'exécution de paquet de batterie. Votre chargeur peut fournir automatique Accordent-Up™ le mode ou manuel (c.-à-d. bouton de poussée) Accordez-Up™ le mode. Pour l'information sur ce dispositif, voir s'il vous plaît la section appropriée ci-dessous. Puisque les batteries détruisent lentement leur charge quand elles ne sont pas sur le chargeur, le meilleur endroit pour garder votre paquet de batterie est sur le chargeur à tous les temps.

L'utilisation automatique Accordent-Up™

L'utilisation automatique Accordent-Up™ le mode que les automatiques Accordent-Vers le haut le mode égalisent ou équilibrent les différentes cellules dans le paquet de batterie lui permettant de fonctionner à la capacité maximale. Des paquets de batterie devraient être accordés vers le haut après que chaque 10ème cycle de charge/décharge ou toutes les fois que le paquet ne fournit plus la même quantité de travail. Pour utiliser le mode automatique de mise au point, placez simplement le paquet de batterie dans le chargeur et laissez-le pendant au moins huit heures. Le chargeur fera un cycle par les modes suivants.

1. La lumière rouge clignotera sans interruption indiquant que le cycle d'une heure de charge a commencé.
2. Quand le cycle d'une heure de charge est complet, la lumière restera en fonction sans interruption et ne clignotera plus. Ceci indique que le paquet est entièrement chargé et peut être utilisé à ce moment.
3. Toutes les fois que le paquet est laissé dans le chargeur après que la charge d'une heure initiale, le chargeur commence l'automatique Accordez-Vers le haut le mode. Ce mode continue jusqu'à 8 heures ou jusqu'aux différentes cellules dans le paquet de batterie sont égalisés. Le paquet de batterie est opérationnel et peut être retiré à tout moment pendant Accordent-Vers le haut le mode.

4. Une fois les automatiques Accordent-Vers le haut le mode sont complets la transition de volonté de chargeur à une charge d'entretien; aucun voyant de signalisation ne montre l'accomplissement de l'Autom.

Mode rechargement (Tune-Up^{MC})

Le mode rechargement (Tune-Up^{MC}) sert à égaliser ou à équilibrer chaque cellule du bloc-piles lors de son cycle de capacité limite; le cycle total dure 8 heures. Le bloc-piles doit être rechargé chaque semaine, après 10 ou 20 cycles de charge / de décharge ou lorsque la capacité du bloc-piles commence à diminuer.

1. Pour recharger le bloc-piles, placer les piles dans le chargeur de la manière habituelle. Le voyant rouge clignotera continuellement, indiquant que le cycle de charge est amorcé.
2. On peut enfoncer le bouton Tune-Up^{MC} à n'importe quel moment une fois la charge amorcée. Le voyant rouge s'éteindra momentanément, clignotera trois fois brièvement puis restera allumé, indiquant que le chargeur est en mode rechargement.
3. Une fois le cycle de rechargement terminé, le voyant restera allumé, indiquant que le bloc-piles est complètement rechargé; on peut alors le réutiliser ou le laisser dans le chargeur.
4. Si on sélectionne le mode de rechargement mais qu'on change d'idée par la suite, retirer les piles du chargeur. Attendre 5 secondes, puis réinsérer la pile afin d'amorcer le cycle de charge normal.

Notes importantes concernant le chargement

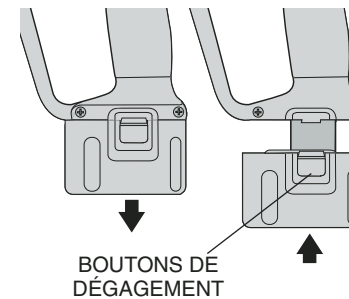
1. Afin de maximiser la durée de vie du bloc-piles et d'assurer son rendement optimal, le charger à la température ambiante, soit entre 18 et 24 °C (65 et 75 °F). Afin d'éviter d'endommager le bloc-piles, il est important de NE PAS le charger à des températures inférieures à +4,5 °C (+40 °F) ou supérieures à +40,5 °C (105 °F).

2. Le chargeur et le bloc-piles peuvent devenir chauds au toucher lors du chargement. Ceci est normal et n'indique pas la présence d'un problème.
3. Si le bloc-piles ne se charge pas normalement, il faut : (1) vérifier l'alimentation de la prise en y enfichant une lampe ou un appareil, (2) s'assurer que la prise ne soit pas raccordée à un interrupteur qui coupe le courant lorsqu'on éteint les lumières, (3) placer le chargeur et le bloc-piles dans un endroit où la température ambiante est environ 18 à 24 °C (65 et 75 °F) ou, si le problème persiste, (4) retourner l'outil, le bloc-piles et le chargeur au centre de service de sa région.
4. Le bloc-piles doit être rechargé lorsqu'il ne produit pas suffisamment de courant pour permettre à l'utilisateur de travailler normalement. On doit CESSER de l'utiliser dans de telles conditions et suivre la méthode de chargement. On peut aussi charger en tout temps un bloc-piles partiellement déchargé sans nuire à son fonctionnement.
5. Dans certaines conditions, lorsque le chargeur est enfiché, les raccords de charge à nu situés à l'intérieur du chargeur peuvent subir un court-circuit lorsqu'ils entrent en contact avec une matière étrangère. Les matières conductives comme la laine d'acier, la feuille d'aluminium ou les particules métalliques, mais sans toutefois s'y limiter, doivent être tenus à l'écart des cavités du chargeur. Toujours débrancher celui-ci lorsque le bloc-piles n'y est pas inséré ou avant de le nettoyer.
6. Ne pas congeler le chargeur ni l'immerger.

⚠ AVERTISSEMENT : ne jamais laisser de liquide s'infiltrer à l'intérieur du chargeur afin d'éviter les risques de choc électrique. Pour faciliter le refroidissement du bloc-piles après son utilisation, éviter de placer ce dernier ou le chargeur dans un environnement chaud comme un cabanon en métal ou une remorque non isolée.

⚠ MISE EN GARDE : ne jamais ouvrir le bloc-piles pour quelle que raison que ce soit. Si le compartiment en plastique se rupture ou se fissure, le retourner au centre de service afin qu'il puisse être recyclé.

FIG. 2



Montage et démontage du bloc-piles

REMARQUE : s'assurer que le bloc-piles soit complètement chargé.

Pour l'installer dans la poignée de l'outil, aligner la base de l'outil avec l'encoche située à l'intérieur de la poignée et glisser le bloc-piles fermement dans la poignée jusqu'à ce qu'on entende un dé clic indiquant qu'il est bien enclenché, tel qu'illustré à la FIG. 2.

Pour retirer le bloc-piles de l'outil, appuyer sur le bouton de déchargement et tirer fermement le bloc-piles hors de la poignée, puis l'insérer dans le chargeur selon les directives dans la section «Chargeur» du présent manuel.

Fonctionnement

REMPACEMENT DES LAMES

1. DÉBRANCHER L'OUTIL ET RETIRER LE BLOC-PILES.
2. Pour fixer la lame, escamoter le protège-lame inférieur et placer la lame sur la broche, contre la rondelle de la bride de serrage interne. Mettre ensuite celle de la bride externe contre la lame. (La lame doit être installée côté imprimé vers l'extérieur; au bas de celle-ci, les dents doivent être orientées vers l'avant – FIG. 3).

FIG. 3

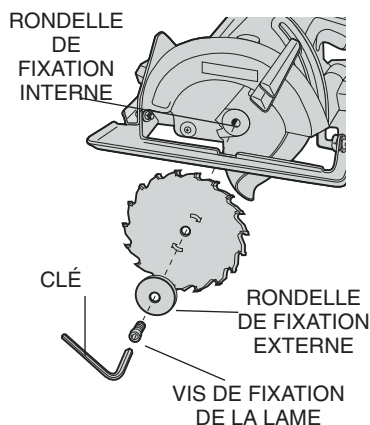
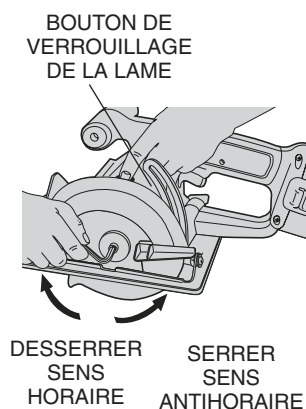


FIG. 4



3. Bien serrer la vis de fixation de la lame afin de retenir la rondelle en place. (Cette vis à filetage gauche doit être serrée vers la gauche).
4. Appuyer légèrement sur le bouton de verrouillage de la lame (FIG. 4) et tourner la broche jusqu'à ce que la lame s'arrête.
5. Serrer fermement la vis de fixation de la lame (vers la gauche) au moyen de la clé appropriée.
6. Pour retirer la lame, DÉBRANCHER L'OUTIL ET RETIRER LE BLOC-PILES. Engager le bouton de verrouillage de la lame et desserrer la vis de fixation de la lame (vers la droite) au moyen de la clé.

REMARQUE : ne jamais engager le bouton de verrouillage de la lame lorsque la scie est en marche ni l'utiliser pour arrêter l'outil. Ne jamais mettre l'outil en marche lorsque le bouton de verrouillage est engagé afin d'éviter d'endommager gravement la scie.

Lames

Les lames usées produisent des coupes lentes et inefficaces, surchargent le moteur, engendrent davantage d'éclats de bois et accroissent les risques de rebond. Les lames recommandées sont vendues séparément chez le dépositaire local ou aux centres de service autorisés. Pour obtenir de l'aide concernant les lames, composer le 1 800 433-9258.

▲ MISE EN GARDE : ne pas couper les matériaux ferreux (en acier), la maçonnerie, le verre ou la céramique au moyen de disques abrasifs ou de lames.

Modèle	Lame	Dia.	Application
DW930	DW9055	13,7 cm (5-3/8 po)	Coupes universelles (16)
DW935	DW9054	13,7 cm (5-3/8 po)	Coupes lisses / de finition (24)
DW936	DW9052	13,7 cm (5-3/8 po)	Coupes de l'aluminium (78)
	DW9053	13,7 cm (5-3/8 po)	Coupes de matériaux minces (30)
DW939	DW9155	16,5 cm (6-1/2 po)	Coupes universelles (16)
	DW9154	16,5 cm (6-1/2 po)	Coupes lisses / de finition (24)

▲ AVERTISSEMENT : afin de réduire les risques de blessure aux yeux, toujours porter des lunettes de protection. Le carbure est un matériel dur, mais fragile, et les matières étrangères présentes dans l'ouvrage, comme les fils ou les clous, peuvent fendre ou briser les pointes. Ne jamais faire fonctionner l'outil lorsque le protège-lame n'est pas en place. S'assurer que la lame soit installée et bien fixée et qu'elle tourne correctement avant d'utiliser l'outil. Toujours utiliser une lame propre et bien aiguisée.

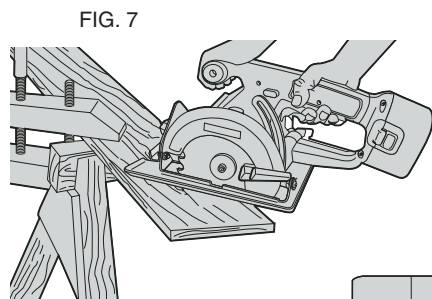


FIG. 7

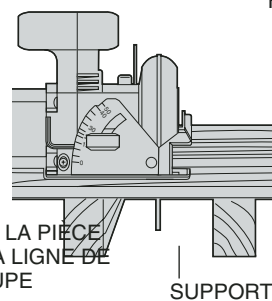


FIG. 8

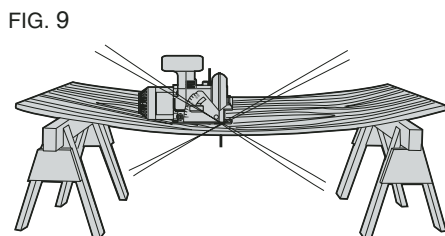


FIG. 9

NE PAS SOUTENIR LA PIÈCE
LOIN DE LA LIGNE DE COUPE

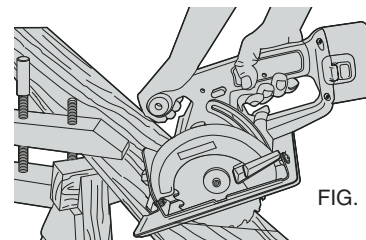


FIG. 10

Réglage de la profondeur de coupe

1. DÉBRANCHER L'OUTIL ET RETIRER LE BLOC-PIÈLES.
2. Tenir fermement la scie et desserrer (vers la gauche) le bouton de réglage de profondeur, puis déplacer le patin afin d'obtenir la profondeur voulue.
3. S'assurer de bien resserrer le bouton (vers la droite) avant de faire fonctionner l'outil.

Afin d'obtenir une coupe optimale, régler le bouton de réglage de profondeur de manière à ce qu'une dent dépasse légèrement sous l'ouvrage; la distance idéale se mesure entre le bout de la dent et le fond de la gorge devant celle-ci. Ceci réduit au minimum la friction de la lame, permet d'éloigner la sciure de la coupe, produit moins de chaleur et accélère le sciage, et réduit les risques de rebond. La FIG. 5 illustre une méthode pour déterminer la profondeur de coupe appropriée. Il s'agit de déposer l'ouvrage le long de la lame, tel qu'illustré, et de compter le nombre de dents qui dépassent.

REMARQUE : lorsqu'on utilise une lame à pointes carburées, on doit faire exception à la règle en laissant dépasser seulement la moitié d'une dent.

Réglage de l'angle de biseau

La plage complète des angles de biseau s'étend entre 0 et 50 degrés; le réglage s'effectue par échelons de 5 degrés. Sur le devant de la scie se trouve un mécanisme de réglage de l'angle de biseau (FIG. 5)

consistant en un quart-de-cercle gradué et en un bouton. Pour effectuer ce réglage :

1. DÉBRANCHER L'OUTIL ET RETIRER LE BLOC-PILES.
2. Desserrer (vers la gauche) le bouton de réglage et pencher le patin à l'angle voulu en alignant l'indicateur avec la marque correspondante.
3. Resserrer fermement le bouton (vers la droite).

REMARQUE : l'indicateur de quart-de-cercle, situé entre le bouton de réglage et le quart-de-cercle, peut être réglé une fois la vis desserrée; la resserrer fermement une fois le réglage terminé.

Réglage du patin pour les coupes à 90°

Si un réglage supplémentaire s'avère nécessaire, on doit :

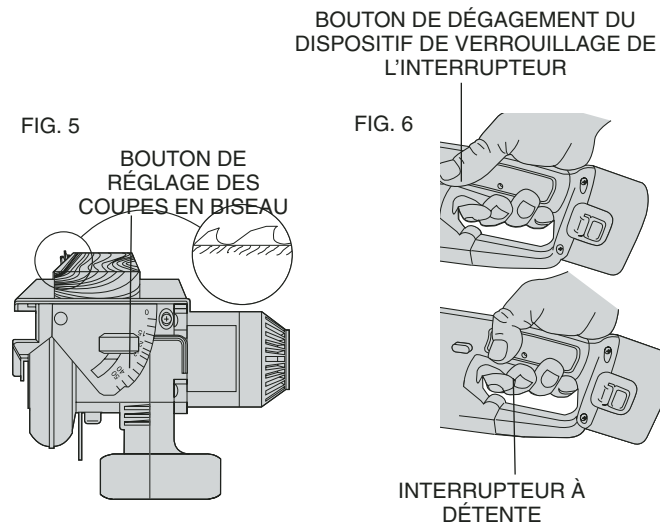
1. DÉBRANCHER L'OUTIL ET RETIRER LE BLOC-PILES.
2. Régler la scie à un angle de biseau de 0°.
3. Escamoter le protège-lame et déposer la scie du côté de la lame.
4. Desserrer le bouton de réglage de l'angle de biseau, puis placer une équerre contre la lame et le patin pour régler l'angle à 90°.
5. Déplacer la vis de réglage de manière à ce que le patin s'arrête à l'angle choisi.
6. Confirmer la précision du réglage en vérifiant la perpendicularité d'une coupe qu'on a effectuée sur un matériel de retaille.

Indicateur de trait de scie

La partie avant du patin est munie d'un indicateur de trait de scie pour les coupes verticales et en biseau. Cet indicateur permet à l'opérateur de guider la scie le long des lignes de coupe tracées au crayon sur l'ouvrage. L'indicateur s'aligne avec le côté gauche (extérieur) de la lame, de sorte que la fente ou l'entaille soit effectuée du côté droit de l'indicateur. On doit suivre la ligne de coupe de manière à ce que le trait de scie soit sur le matériau excédentaire ou de retaille.

Support d'ouvrage

La figure 6 illustre la position de sciage appropriée; les mains doivent être tenues à l'écart de la zone de coupe. Pour éviter l'effet de rebond,



TOUJOURS supporter la planche ou le panneau PRÈS de la ligne de coupe (FIG. 7), JAMAIS loin de celle-ci (FIG. 8).

▲ AVERTISSEMENT : il est important de bien soutenir l'ouvrage et de tenir fermement la scie afin d'éviter de perdre la maîtrise de l'outil et risquer des blessures. La FIG. 6 illustre la bonne façon de soutenir et de tenir la scie. TOUJOURS DÉBRANCHER L'OUTIL ET RETIRER LE BLOC-PILES AVANT D'EFFECTUER UN RÉGLAGE.

Placer l'ouvrage de manière ce que le «bon» côté (celui dont l'apparence importe le plus) soit vers le bas; puisque la scie coupe vers le haut, le matériau éclatera dans cette direction.

Interrupteur

Relâcher le bouton de verrouillage en position d'arrêt tel qu'illustré à la figure 10. Appuyer sur l'interrupteur à gâchette pour mettre le moteur

en MARCHE et le relâcher pour l'ARRÊTER. Le bouton de verrouillage en position d'arrêt s'actionne automatiquement dès qu'on relâche l'interrupteur.

REMARQUE : cet outil n'a aucun mécanisme destiné à verrouiller l'interrupteur en position de MARCHE; on ne doit jamais le verrouiller dans cette position par quelque moyen que ce soit.

Coupage

Placer la section la plus large du patin sur la section solidement soutenue de l'ouvrage, non sur celle qui se détachera. Par exemple, la FIG. 6 illustre la façon CORRECTE de couper l'extrémité d'une planche. Toujours fixer l'ouvrage. Ne jamais tenir les planches plus courtes avec les mains! Bien soutenir les ouvrages en saillie ou en porte-à-faux et prendre les précautions nécessaires lorsqu'on coupe un ouvrage sur le dessous.

S'assurer que la scie atteigne sa vitesse maximale avant de placer la lame sur l'ouvrage, car on peut engendrer un rebond si on démarre la scie alors qu'elle touche l'ouvrage ou si on la pousse dans une entaille.

On doit pousser sur la scie à une vitesse qui permet à la lame de couper sans trop forcer. La dureté et la résilience d'un ouvrage peuvent varier d'une section à l'autre; les sections noueuses ou humides peuvent aussi surcharger l'outil. Lorsque cela se produit, pousser la scie plus lentement en s'assurant d'exercer assez de pression pour continuer à travailler sans trop réduire la vitesse. Si on force l'outil, on risque d'obtenir des coupes rugueuses ou inexactes, de causer des rebonds ou de faire surchauffer le moteur. Si la scie s'éloigne de la ligne de coupe, ne pas la forcer pour la réorienter. On doit plutôt relâcher l'interrupteur, attendre que l'outil s'arrête complètement, retirer la scie, et reprendre la coupe légèrement, à côté de l'endroit où l'erreur s'est produite. Il faut toujours retirer la scie lorsqu'on reprend une coupe. Lorsqu'on essaie de corriger une erreur en laissant la scie dans la section mal coupée, on peut caler le moteur et causer un rebond.

SI LE MOTEUR CALE, RELÂCHER L'INTERRUPTEUR À GÂCHETTE ET DÉGAGER COMPLÈTEMENT LA SCIE DE L'OUVRAGE. S'ASSURER QUE LA LAME SOIT BIEN ALIGNÉE

DANS LA COUPE ET QU'ELLE NE TOUCHE PAS LE BORD DE L'OUVRAGE AVANT DE REPRENDRE LA COUPE.

Lorsqu'on termine une coupe, on doit relâcher l'interrupteur à gâchette et attendre que la lame s'arrête complètement avant de dégager la scie de l'ouvrage. Lorsqu'on soulève la scie, le protège-lame rétractable à ressort se ferme automatiquement sous la lame. La lame n'étant pas protégée avant que l'outil ne soit dégagé, on doit éviter de mettre les mains sous l'ouvrage pour quelle que raison que ce soit. Toujours se servir du levier prévu à cette fin lorsqu'on doit escamoter manuellement le dispositif rétractable (comme lorsqu'on amorce la coupe interne d'un matériau).

REMARQUE : lorsqu'on coupe des bandes étroites, on doit s'assurer que les petits morceaux de bois ne restent pas coincés dans le protège-lame inférieur.

COUPES EN LONG

La coupe en long permet à l'opérateur de scier des planches plus larges dans le sens des grains du bois en des bandes plus étroites. Puisqu'il est plus difficile de guider la scie manuellement en utilisant cette méthode de coupe, on recommande d'utiliser un guide lorsqu'on effectue une coupe en long.

COUPES EFFECTUÉE À PARTIR DE L'INTÉRIEUR D'UN MATÉRIAU

DÉBRANCHER L'OUTIL ET RETIRER LE BLOC-PILES AVANT D'EFFECTUER UN RÉGLAGE.

On effectue une coupe interne dans un plancher, un mur ou toute autre surface plane.

Régler le patin afin d'obtenir la profondeur de coupe voulue. Pencher la scie vers l'avant et appuyer le devant du patin sur l'ouvrage. Soulever le protège-lame au moyen du levier d'escamotage. Abaisser l'arrière du patin jusqu'à ce que la lame soit presque en contact avec la ligne de coupe, puis relâcher le protège-lame (en touchant l'ouvrage, il maintiendra sa position et se déplacera librement lorsqu'on amorcera la coupe). Démarrer le moteur et baisser graduellement la scie jusqu'à

ce que le patin repose à plat sur l'ouvrage. Faire avancer la scie le long de la ligne de coupe jusqu'à ce que cette dernière soit terminée. Relâcher l'interrupteur à gâchette et attendre que la lame s'arrête complètement avant de la dégager de l'ouvrage. Reprendre les étapes ci-dessus chaque fois qu'on amorce une nouvelle coupe. Ne jamais fixer le protège-lame en position ouverte (soulevée). Ne jamais déplacer la scie vers soi lorsqu'on effectue une coupe à partir de l'intérieur d'un matériau, car elle pourrait se soulever et se détacher de l'ouvrage et causer des blessures.

Nettoyage

Nettoyer l'outil seulement au moyen d'un linge humide et d'un savon doux. Plusieurs nettoyants domestiques contiennent des produits chimiques qui peuvent gravement endommager le plastique; ne pas utiliser d'essence, de térébenthine, de décapant, de diluant pour peintures, de produits de nettoyage à sec ou d'autres produits de même nature. Ne jamais laisser de liquide s'infiltrer à l'intérieur de l'outil; ne jamais immerger ce dernier dans quelque liquide que ce soit.

Lubrification

Les roulements à billes ou à rouleaux internes de l'outil sont autolubrifiés, de sorte qu'on n'a pas besoin de les lubrifier soi-même. On recommande cependant d'emmener l'outil à un centre de service autorisé au moins une fois par année aux fins d'un entretien complet (nettoyage, inspection et lubrification) du carter d'engrenage.

Accessoires

Les accessoires recommandés pour cet outil sont vendus séparément aux centres de service autorisés.

Pour obtenir de l'aide concernant l'achat d'un accessoire, communiquer avec DeWALT Industrial Tool Company, 701 East Joppa Road, Baltimore, MD 21286 aux États-Unis, ou composer le 1 800 732-4441.

▲ MISE EN GARDE : *l'usage d'un accessoire non recommandé peut présenter un danger. Les accessoires d'amenée d'eau ne sont pas recommandés avec cet outil.*

Réparations

Pour assurer la SÉCURITÉ et la FIABILITÉ de ce produit, l'outil doit être réparé, entretenu et réglé par un centre de service autorisé ou qualifié (cela comprend l'inspection et le remplacement de la brosse); seules des pièces de rechange identiques doivent être utilisées.

Garantie limitée de trois ans

DeWALT réparera, sans frais, tout produit défectueux causé par un défaut de matériel ou de fabrication pour une période de trois ans à compter de la date d'achat. La présente garantie ne couvre pas les pièces dont la défectuosité a été causée par une usure normale ou l'usage abusif de l'outil. Pour obtenir de plus amples renseignements sur les pièces ou les réparations couvertes par la présente garantie, visiter le site www.dewalt.com ou composer le 1 800 433-9258 (1 800 4-DeWALT). Cette garantie ne s'applique pas aux accessoires et ne vise pas les dommages causés par des réparations effectuées par un tiers. Cette garantie confère des droits légaux particuliers à l'acheteur, mais celui-ci pourrait aussi bénéficier d'autres droits variant d'un état ou d'une province à l'autre.

En plus de la présente garantie, les outils DeWALT sont couverts par notre :

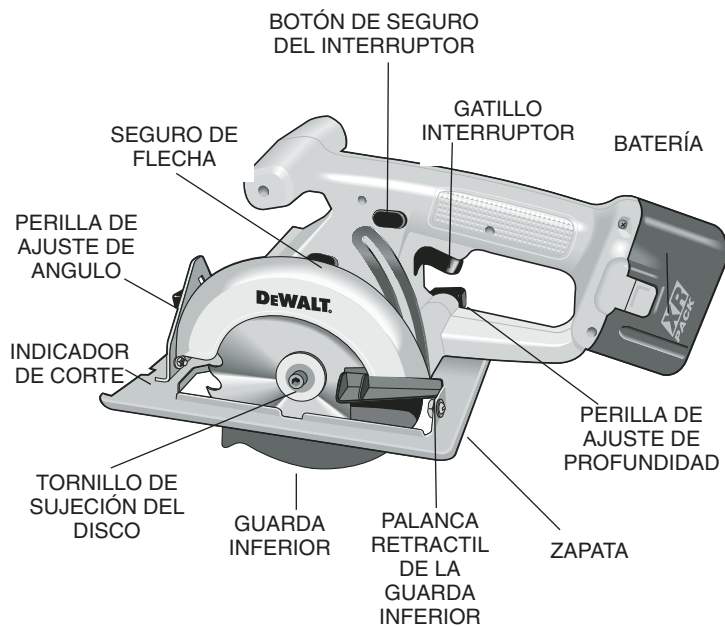
CONTRAT D'ENTRETIEN GRATUIT D'UN AN

DeWALT entretiendra l'outil et remplacera les pièces usées au cours d'une utilisation normale et ce, gratuitement, pendant une période d'un an à compter de la date d'achat, et la

GARANTIE DE REMBOURSEMENT DE 90 JOURS

Si l'acheteur n'est pas entièrement satisfait, pour quelque raison que ce soit, du rendement de l'outil électrique, du laser ou de la cloueuse DeWALT, celui-ci peut le retourner, accompagné d'un reçu, dans les 90 jours à compter de la date d'achat, pour obtenir un remboursement intégral, sans aucun problème.

REMPLACEMENT GRATUIT DE L'ÉTIQUETTE : Si vos étiquettes d'avertissement deviennent illisibles ou sont manquantes, composez le 1-800-4-DeWALT pour obtenir une étiquette de remplacement gratuite.



DW930	Sierra circular inalámbrica de 12.0 volts	2500 RPM
DW935	Sierra circular inalámbrica de 14.4 volts	3000 RPM
DW936	Sierra circular inalámbrica de 18.0 volts	3200 RPM
DW939	Sierra circular inalámbrica de 18.0 volts	3700 RPM

SI VD. TIENE PREGUNTAS O COMENTARIOS ACERCA DE ESTA O CUALQUIER OTRA AHERRAMIENTA DeWALT LLÁMENOS A COSTO INVERTIDO AL: (1-800-433-9258)

Reglas Generales de Seguridad – para todas herramientas con funcionamiento por pilas

⚠ADVERTENCIA! Léa y comprenda todos instructivos. Dejando de observar todos los instructivos listados abajo puede resultar en choque eléctrico, incendio y/o daño serios personales.

GUARDE ESTOS INTRUCTIVOS

ÁREA DE TRABAJO

- **Mantenga su área de trabajo limpia y bien iluminada.** Mesas de trabajo colmadas y áreas oscuras invitan a accidentes.
- **No opere herramientas eléctricas en atmósferas explosivas, como en la presencia de líquidos inflamables, gases o polvo.** Las herramientas eléctricas producen chispas que pueden encender el polvo o humos.
- **Mantenga alejados espectadores, niños y visitantes mientras opere una herramienta eléctrica.** Distracciones pueden ocasionar que se pierda el control.

SEGURIDAD ELÉCTRICA

- **Mantenga el cable alejado de calor, aceite, esquinas cortantes o partes móviles.** Sustituya inmediatamente cables dañados. Cables dañados pueden causar incendio.
- **Una herramienta operada por electricidad con baterías integradas o paquete separado de pilas deben ser recargadas solamente con el cargador especificado para la pila.** Un cargador adecuado para un tipo de pila, puede ocasionar riesgo de incendio cuando se usa con otra pila.
- **Use la herramienta eléctrica solamente con el paquete de pilas específicamente designado.** El uso de cualesquiera otras pilas puede ocasionar un riesgo de incendio.

SEGURIDAD PERSONAL

- **Manténgase alerta, fíjese en lo que está haciendo y use su sentido común cuando esté operando una herramienta eléctrica. No use la herramienta cuando está cansado o baja la influencia de drogas, alcohol o medicamentos.** Un instante de inatención durante la operación de herramientas eléctricas puede ocasionar serios daños personales.
- **Vístase debidamente. No lleve vestido suelto o joyas. Amárrese el pelo largo.** Mantenga su pelo, ropa y guantes alejados de partes móviles. La ropa suelta, joyas y pelo largo pueden enredarse en partes móviles. Las rejillas de ventilación cubren partes móviles y también deben evitarse.
- **Evite el arranque accidental.** Asegúrese que el interruptor esté en la posición trancada o apagada antes de insertar el paquete de pilas. El llevar herramientas con su dedo en el interruptor o el insertar el paquete de pilas en la herramienta con el interruptor abierto invita a accidentes.
- **Remueva llaves de ajuste o llaves inglesas antes de arrancar la herramienta.** Una llave que se deje puesta en una parte giratoria de la herramienta puede causar daño personal.
- **No se mueva demasiado.** Siempre mantenga su estabilidad y balance. Estabilidad firme y adecuado balance aseguran mejor control de la herramienta en situaciones inesperadas.
- **Use equipos de seguridad.** Siempre lleve una protección de los ojos. Máscara de polvo, calzado de seguridad anti-resbalante, casco duro de seguridad o protección de los oídos deben llevarse para condiciones indicadas.

USO Y MANTENIMIENTO DE LAS HERRAMIENTAS

- **Use grapas u otro forma de fijar y soportar la pieza de trabajo a una plataforma estable.** El sostener el trabajo en la mano o contra su cuerpo es inestable y puede resultar en la pérdida de control.
- **No fuerce la herramienta.** Use la herramienta correcta para su aplicación. La herramienta correcta hará el trabajo mejor y más seguro en la medida para que ha sido diseñada.

- **No use la herramienta si no la pone en marcha o la apaga el interruptor.** Una herramienta que no se puede controlar por el interruptor es peligrosa y debe ser reparada.
- **Desconecte el paquete de pilas de la herramienta o ponga el interruptor en la posición trancada o apagada antes de hacer ajustes, cambiar accesorios o almacenar la herramienta.** Tales medidas preventivas reducen el riesgo de arrancar la herramienta accidentalmente.
- **Almacene las herramientas que no están en uso, fuera del alcance de niños y otras personas no entrenadas.** Las herramientas son peligrosas en las manos de usuarios no entrenados.
- **Cuando el paquete de pilas no está en uso, manténgalo fuera de otros objetos de metal como:** prendedores, monedas, llaves, clavos, tornillos, u otros pequeños objetos metálicos que pueden hacer contacto entre un terminal y otro. El cortocircuito de los terminales de pilas puede causar chispas, quemaduras o incendio.
- **Mantenga las herramientas con cuidado.** Mantenga las herramientas para cortar afiladas y limpias. Las herramientas debidamente mantenidas con cortes agudos más difícilmente se quedan atascadas y son más fáciles de controlar.
- **Verifique por malas alineaciones o partes giratorias que se atasquen, rotura de partes, y cualquier otra condición que pueda afectar la operación de la herramienta.** Si está averiada la herramienta, procure que le hagan el servicio antes de usarla. Muchos accidentes son causados por herramientas mal mantenidas.
- **Use solamente accesorios que son recomendados por la fábrica para su modelo.** Accesorios que quizás sean idóneos para una herramienta pueden causar un riesgo de daño cuando son usados en otra herramienta.

SERVICIO

- **El servicio de herramientas debe ser hecho únicamente por personal de reparación calificado.** El servicio o mantenimiento

prestado por personal no calificado puede resultar en riesgo de daño.

- **Haciendo el servicio a una herramienta use únicamente repuestos idénticos.** Siga las instrucciones en la sección de Mantenimiento de este manual. El uso de partes no autorizadas o el no seguir los Instructivos de Mantenimiento puede crear el riesgo de choque o daño.

Reglas Adicionales de Seguridad para Sierras

▲ DANGER: Mantenga las manos lejos del área a cortar y la cuchilla. Mantenga su segunda mano en el asa auxiliar o el casco del motor. Si ambas manos están en la sierra no pueden ser cortadas por la cuchilla.

- Mantenga su cuerpo colocado en uno de los lados de la cuchilla, pero no en línea con ella. **SALTO ATRÁS** podría causar que la sierra salte hacia atrás. (Véase **SALTO ATRÁS**)
- No ponga su mano debajo del trabajo. La barra de protección no puede protegerle de la hoja debajo del trabajo.
- Verifique que la protección inferior esté debidamente cerrada antes de su uso. No opere la sierra si la protección inferior no se mueve libremente y se cierra inmediatamente. Nunca fije o ate la protección inferior en la posición abierta. Si la sierra cae accidentalmente, la protección inferior puede estar doblada. Suba la protección inferior con la Palanca para Retraer y asegúrese que se mueve libremente y que no toca la cuchilla u otra parte, en todos ángulos y profundidades de corte.
- Chequee la operación y condición del resorte de la protección inferior. Si la protección y el resorte no están operando debidamente deben ser sometidos a servicio antes de su uso. La protección inferior puede estar funcionando inertemente debido a partes dañadas, depósitos resinosos o acumulación de escombros.
- La protección inferior debe ser retraída a mano solamente para cortes especiales como "Cortes Bolsillo" o "Cortes Combinados". Levante la protección inferior por la Palanca para Retraer. Tan

pronto como la hoja entra al material, la protección inferior debe ser soltada. Para todas otras tareas de serrar la protección inferior deberá funcionar automáticamente.

- Siempre procure que la protección inferior cubra la cuchilla antes de colocar la sierra en la mesa de trabajo o en el suelo. La cuchilla sin protección hará que la sierra camine hacia atrás cortando lo que esté en su camino. Considere el tiempo que necesita la cuchilla para pararse después de apagarse el interruptor.
- **NUNCA** tenga la pieza que se está cortando en su mano o en medio de su pierna. Es necesario que el trabajo esté debidamente soportado para reducir al mínimo la exposición del cuerpo, el atasco de la cuchilla o pérdida de control.
- Sujete la herramienta por las superficies aisladas para sujetarla cuando ejecute una operación donde la herramienta cortante pueda hacer contacto con cables eléctricos escondidos. El contacto con un cable "vivo" también hará "vivas" las partes metálicas expuestas de la herramienta y puede proporcionar un choque al operador.
- Cuando está hendiendo siempre use una cerca de hender o una guía de canto derecho. Esto mejora la precisión del corte y reduce la posibilidad de atascarse la cuchilla.
- Siempre use cuchillas con agujero del tamaño correcto y de la forma correcta (diamante contra redondo). Cuchillas que no coinciden con las partes correspondientes de la sierra, se moverán excentricamente lo que resulta en pérdida de control.
- Nunca use un zuncho o perno incorrecto para la hoja. Los zunchos y pernos han sido especialmente diseñados para su sierra, para óptimo rendimiento y seguridad de operación.

Las Causas y la Prevención por el operador de Salto Atrás

- El **SALTO ATRÁS** es una reacción repentina a una hoja friccionada, atascada o mal alineada resultando que la sierra descontrolada se levante fuera del lugar de trabajo hacia el operador.

- Cuando la cuchilla está friccionada o atascada fijamente cerrándose la entalladura, la cuchilla se para y la reacción del motor empuja la unidad rápidamente atrás hacia el operador.
- Si se dobla o se desalinea la hoja en el corte, los dientes en el canto trasero de la hoja pueden morder la superficie superior de la madera lo que hace que la hoja salga de la entalladura y salte hacia atrás contra el operador.
- El **SALTO ATRÁS** es la consecuencia de uso indebido de la herramienta y/o proceso o condiciones incorrectos de operación y puede ser evitado tomándose precauciones adecuadas como detalladas abajo:
- Mantenga firmemente la sierra con ambas manos y coloque su cuerpo y brazo así que le permitan resistir la fuerza de saltos atrás. Las fuerzas de saltos atrás pueden ser controladas por el operador si las precauciones debidas son tomadas.
- Cuando la hoja está atascada o cuando se interrumpe un corte por alguna razón, suelte el botón prendedor y mantenga la sierra sin moverse en el material hasta que la cuchilla se pare completamente. Nunca trate de sacar la sierra del trabajo o halarla atrás mientras la cuchilla está moviéndose o un salto atrás puede ocurrir. Investigue y tome medidas correctivas para eliminar la causa de atascarse la cuchilla.
- Cuando vuelve a insertar la sierra en la pieza de trabajo, centre la hoja en la entalladura y asegúrese que los dientes de la sierra no estén mordiendo el material. Si la hoja de la sierra está atascada puede subir y saltar atrás de la peza de trabajo cuando la sierra se pone en marcha.
- Soporte los paneles largos para reducir el riesgo de friccionarse la hoja y **SALTO ATRÁS**. Paneles largos tienden a hundirse bajo su propio peso. Deben colocarse soportes en los dos lados debajo del panel cerca de la línea del corte y cerca del borde del panel.
- No use cuchilla dañada o sin filo. Cuchillas sin filo o insertadas indebidamente producen entalladura estrecha causando fricción excesiva, atasco de la cuchilla y salto atrás.

- Las palancas para ajustar la profundidad de la hoja y el ángulo deben estar apretadas y seguras antes de hacer el corte. Si se cambia el ajuste de la cuchilla durante el corte, puede causarse atasco y **SALTO ATRÁS**.
- Tenga especial precaución al hacer un “Corte Bolsillo” en paredes existentes u otras áreas ciegas. La cuchilla salida puede cortar objetos que pueden causar salto atrás.

Instructivos Adicionales Específicos de Seguridad

- **EVITE CORTAR CLAVOS.** Chequee por clavos y remuévalos todos de la madera antes de cortar.

▲ **ADVERTENCIA:** Cuando haga cortes en paredes, suelos o en superficies donde pueden encontrarse cables “vivos”, ¡no toque ninguna parte metálica de la herramienta! Sólo mantenga la sierra por sus asas de plástico para evitar choques eléctricos si corta un cable vivo eléctrico accidentalmente

▲ **PRECAUCIÓN:** Igunas herramientas con los paquetes grandes de la batería estarán paradas verticales en el paquete de la batería pero se pueden golpear fácilmente encima. Cuando no en uso, coloque la herramienta en su cara en una superficie estable donde no causará un peligro que dispara o descendente.

▲ **PRECAUCION:** utilice la protección auditiva apropiada durante el uso. Bajo ciertas condiciones de duración de uso, el ruido producido por este producto puede contribuir a la pérdida auditiva.

▲ **ADVERTENCIA :** Parte del polvo creado al lijar, aserruchar, moler o perforar con máquina, así como al realizar otras actividades de la construcción, contiene sustancias químicas que se sabe producen cáncer, defectos congénitos u otras afecciones reproductivas. Algunos ejemplos de esas sustancias químicas son:

- plomo de pinturas a base de plomo,
- sílice cristalizado de ladrillos y cemento y otros productos de albañilería, y
- arsénico y cromo de la madera químicamente tratada .

El riesgo al contacto con estas sustancias varía, según la frecuencia en que se haga este tipo de trabajo. Para reducir la exposición a esas sustancias químicas: trabaje en un área bien ventilada, y trabaje con equipos de seguridad aprobados, tales como máscaras contra el polvo especialmente diseñadas para filtrar las partículas microscópicas.

- **Evite el contacto prolongado con polvos originados por lijar, aserrar, esmerilar, taladrar y otras actividades constructivas.**

Vista ropas protectoras y lave las áreas expuestas con agua y jabón. Permitir que el polvo se introduzca en su boca, ojos, o dejarlo sobre la piel promueve la absorción de químicos dañinos.

- La etiqueta de su herramienta puede incluir los siguientes símbolos.

V.....volts	Aamperes
Hz.....hertz	W.....watts
minminutos	~corriente alterna
====corriente directa	n _ovelocidad sin carga
☐construcción	⊕terminales de conexión a tierra
.....clase II	⚠símbolo de alerta seguridad
	.../min revoluciones por

minuto

Importantes instructivos de seguridad para paquetes de pilas

¡El paquete de pilas no está completamente cargado al salir del cartón! Léa primero los instructivos de seguridad abajo. Después siga los avisos y procedimientos para cargar.

Su herramienta requiere un paquete de pilas DEWALT de 12.0 voltios, 14.4 voltios o 18 voltios. Cuando pida paquetes de pilas de repuesto procure incluir el número de catálogo y el voltaje.

- No incinere el paquete de pilas ni aún cuando está muy dañado or completamente gastado. El paquete de pilas puede explotar en el fuego.
- Se puede presentar un pequeño filtraje de líquido de las celdas del paquete de pilas bajo condiciones de uso extremo o temperatura. Esto no significa falta de funcionamiento. Sin embargo, si el sello

exterior está roto y la filtración llega a su piel:

- lave rápidamente con jabón y agua.
- Neutralice con un ácido suave como jugo de limón o vinagre.
- Si líquido de batería llega en sus ojos enjuaguelos con agua limpia por un mínimo de 10 minutos y busque atención médica inmediatamente. (**Nota medicinal:** El líquido es una solución de 25-30% de potasio hidróxido.)

- No cargue paquetes de pilas de repuesto en delantales, bolsillos o cajas de herramientas juntos con otros objetos metálicos. El paquete de pilas podría sufrir un corto circuito causando daño al paquete de pilas y posiblemente quemaduras severas o incendio.
- Cargue los paquetes de pilas solamente en cargadores DEWALT.

NOTE: Las pilas en su paquete de pilas son del tipo níquel-cadmio. Cadmio es considerado como material tóxico por la Environmental Protection Agency (Agencia para la Protección del Ambiente). Antes de descartar paquetes de pilas níquel-cadmio gastados, chequee con la Agencia para la Protección del Ambiente de su estado para enterarse de restricciones especiales en el botar estos paquetes de pilas o regréselos a un centro de servicio DEWALT certificado para su reciclamiento.

- NO almacene ni use la herramienta y el paquete de pilas en sitios donde la temperatura puede alcanzar or pasar 105°F (tal como fuera de galpones y construcciones metálicas en el verano).

⚠ADVERTENCIA: Nunca trate de abrir el paquete de pilas por ninguna razón. Si el casco del paquete de pilas está roto o dañado no lo inserte en el cargador. Peligro de choque eléctrico o explosión. Paquetes de pilas dañados deberían ser regresados al centro de servicio para su reciclamiento.

NOTA: los capuchones para transporte y almacenaje de las baterías se proporcionan para usarse siempre que la batería esté fuera de la herramienta o del cargador. Retire el capuchón antes de colocar la batería en la herramienta o en el cargador.



⚠ ADVERTENCIA: No guarde o transporte la batería de manera que objetos metálicos puedan hacer contacto con las terminales expuestas de la batería. Por ejemplo, no ponga la batería en delantales, bolsillos, cajas de herramientas, estuches de productos, cajones, etc. junto con clavos, tornillos, llaves, etc. sin el capuchón. La batería puede hacer corto cuando no tenga puesto el capuchón, ocasionando incendios o quemaduras, o daños a sí misma.

El Sello RBRC™

El sello de RBRC (Corporación de Baterías Recargables) en la pila níquel-cadmio (o en el paquete de pilas) indica que los gastos de reciclamiento de la pila (o del paquete de pilas) al cabo de su vida útil ya han sido pagados por DeWALT. En algunas áreas está prohibido botar pilas níquel-cadmio gastadas en la basura o en el tren de basura sólida municipal y el programa RBRC representa una alternativa consciente ambientalmente.



RBRC en cooperación con otros usuarios de pilas ha establecido programas en los E.E.U.U. para facilitar la colección de pilas níquel-cadmio gastadas. Ayude a proteger nuestro ambiente y conserve recursos naturales regresando la pila níquel-cadmio gastada a un centro de servicio autorizado DeWALT o a su detallista local para ser reciclados. También puede Vd. dirigirse a su centro de reciclamiento local por información cómo disponer de las pilas gastadas.

Instructivos importantes de seguridad para cargadores de pilas

GUARDE ESTOS INSTRUCTIVOS – Este manual contiene instructivos importantes de seguridad para cargadores de pilas DeWALT.

- Antes de usar el cargador de pilas lea todas las instrucciones y avisos de cuidado en el cargador de pilas, las pila y productos usando pilas.

⚠ ADVERTENCIA: Para reducir el riesgo de daño, cargue únicamente pilas níquel-cadmio DeWalt recargables. Otros tipos de pilas pueden explotar causando lesión personal y daño.

⚠ ADVERTENCIA: Bajo ciertas condiciones, con el cargador enchufado en la alimentación de red eléctrica, los contactos salientes de cargar dentro del cargador pueden sufrir un corte circuito por material ajeno. Materiales ajenos de naturaleza conductiva como, pero no exclusivamente, lana de acero, papel de aluminio o cualquier acumulación de partículas metálicas, deben mantenerse lejos de la cavidades del cargador. Siempre desconecte el cargador de la alimentación de la red eléctrica cuando no esté un paquete de pilas en la cavidad. Desconecte el cargador antes de limpiarlo.

⚠ DANGER: 120 voltios presentes en los terminales cargantes. No inserte objetos conductivos. Peligro de choque eléctrico o electrocución.

⚠ ADVERTENCIA: No permita que ningún líquido entre dentro del cargador. Eso puede resultar en choque eléctrico.

- El cargador y el paquete de pilas están específicamente diseñados para funcionar juntos. NO cargue el paquete de pilas con cargadores que no sean los de este manual.
- Estos cargadores no están diseñados para ningún otro uso excepto de cargar pilas recargables DeWALT. Cualquier otro uso puede llevar como consecuencia riesgo de incendio, choque eléctrico o electrocución.
- Para reducir el riesgo de daño al enchufe eléctrico y cable, hale por el enchufe en vez de por el cable al desconectar el cargador.
- Asegúrese que el cable esté colocado de forma que no se pise, tropiece con él o esté sometido a cualquier daño or perjuicio.
- No se debería usar un cable de extensión si no es absolutamente necesario. El uso de un cable de extensión no idóneo podría resultar en riesgo de incendio, choque eléctrico o electrocución.
- Un cable de extensión debe disponer del calibre de alambre adecuado (AWG o American Wire Gauge) para seguridad. Cuanto más pequeño el número de calibre del alambre tanto más grande la capacidad del cable, es decir que el calibre 16 tiene más capacidad que el calibre 18. Cuando se usan más que una extensión para obtener el largo total, asegúrese que cada extensión individual tenga por lo menos el calibre mínimo de alambre.

Calibre AWG mínimo para cables de extensión

Largo total de cable de extensión (pies)

25	50	75	100	125	150	175
----	----	----	-----	-----	-----	-----

Calibre alambre

18	18	16	16	14	14	12
----	----	----	----	----	----	----

- El cargador tiene ventilación por ranuras en las partes superior e inferior del casco. No ponga ningún objeto encima del cargador ni coloque el cargador sobre una superficie blanda que pueda bloquear las ranuras de ventilación y producir calor interno excesivo. Colóquese el cargador en una posición fuera de cualquier fuente de calor.
- No opere el cargador con cable o enchufe dañado - procure que se sustituyan inmediatamente.
- No opere el cargador si ha recibido un golpe agudo, si se ha caído o ha sido dañado de alguna otra forma; llévelo a un centro de servicio autorizado.
- No desensamble el cargador; llévelo a un centro de servicio cuando necesite servicio o reparación. El ensamblaje incorrecto puede ocasionar choque eléctrico, electrocución o incendio.
- Para reducir el riesgo de choque eléctrico, desenchufe el cargador de la conexión antes de tratar de limpiar la unidad. Sacando el paquete de pilas no reducirá el riesgo.
- **NUNCA** trate de conectar 2 cargadores juntos.
- El cargador está diseñado para operar con electricidad ordinaria de casa (120 voltios AC). ¡No trate de usarlo en otro voltage diferente! Esto no se refiere a cargador vehicular.

Cargadores

Su batería puede cargarse en cargadores DeWALT de 1 hora, cargadores de 15 minutos or cargadores vehiculares de 12 voltios. Asegúrese de leer todos los instructivos de seguridad antes de usar su cargador.

Consulte la tabla en la tapa posterior por la compatibilidad de cargadores y paquetes de pilas.

Procedimiento de Carga

CARGADORES DE 1 HORA

1. Enchufe el cargador en una conexión apropiada.
2. Inserte el paquete de baterías en el cargador como demostrado en la FIG.1, asegurándose que el paquete está completamente colocado en el cargador. La luz roja (cargando) relucirá continuamente indicando que el proceso de carga ha empezado.
3. El paquete de pilas estará completamente cargado en aproximadamente 1 hora. La terminación de la carga será indicada por la luz roja que se queda PRENDIDA continuamente. El paquete está completamente cargado y se puede usar o puede dejarse en el cargador.

CARGADORES DE 15 MINUTOS

1. Enchufe el cargador en una conexión apropiada. El cargador sonará dos veces, la luz roja relucirá y se apagará.
2. Inserte el paquete de pilas en el cargador, como demostrado en la FIG. 1, asegurándose que el paquete esté completamente colocado en el cargador. La luz roja relucirá y el cargador sonará una vez indicando que el proceso de carga ha comenzado.
3. El paquete de pilas estará completamente cargado en menos de 15 minutos bajo condiciones normales. Esto será indicado por la luz roja que se queda PRENDIDA y 3 señales acústicos intermitentes. El paquete está completamente cargado y se puede usar ahora o dejarse en el cargador.

PAQUETES CON PILAS DÉBILES: El cargador también puede descubrir una pila débil. Tales pilas todavía se pueden usar pero no se puede esperar que rindan tanto. En estos casos, aproximadamente 10 segundos después de insertarse la batería, el cargador sonará rápidamente 8 veces para indicar una condición de pila débil. El cargador luego continuará a cargar la batería hasta la capacidad máxima posible.

TODOS CARGADORES

DEJANDO EL PAQUETE DE PILAS EN EL CARGADOR: Cuando la luz roja permanece PRENDIDA el cargador ha cambiado a su modo "igualar" carga que dura aproximadamente 4 horas después de la cual el cargador cambiará al modo "carga de mantenimiento". El paquete de pilas puede ser removido en cualquier momento durante estos ciclos de carga, pero no estará completamente cargado cuando la luz roja permanece continuamente PRENDIDA. El cargador y el paquete de pilas se puede dejar conectado con la luz roja luciendo indefinidamente. El cargador mantendrá el paquete de pilas fresco y completamente cargado. Un paquete de pilas lentamente perderá su carga cuando está fuera del cargador. Si el paquete de pilas no ha sido mantenido en carga de mantenimiento, puede ser necesario que sea cargado de nuevo antes de usarse. Un paquete de pilas también puede perder su carga si se deja en un cargador que no está enchufado en una conexión adecuada.

INDICADORES DE PROBLEMAS: Estos cargadores están diseñados para detectar ciertos problemas que pueden presentarse con paquetes de pilas que se indicarían por la luz roja resplandeciendo rápidamente (y emitiendo el señal acústico intermitente continuamente para cargadores de 15 minutos). Si esto ocurre, inserte el paquete de pilas de nuevo. Si el problema persiste, pruebe un paquete de pilas diferente para determinar si el cargador está en buena condición. Si el paquete nuevo se carga correctamente, el paquete original está defectuoso y deberá mandarse a un centro de servicio para ser reciclado. Si el nuevo paquete de pilas muestra la misma indicación de problema como el original, mande que se chequee cargado en un centro de servicio autorizado.

CIRCUITO DEFECTUOSO

Si su cargador tiene un indicador de Circuito Defectuoso: Cuando el cargador es usado con una fuente de energía eléctrica portátil tal como generadores o fuentes que convierten DC en AC, el cargador puede suspender su operación temporalmente, la luz roja resplandecerá

rápidamente dos veces seguido por una pausa. Esto significa que que la fuente de energía eléctrica está fuera de los límites.

DEMORA POR PAQUETE CALIENTE

Si su cargador tiene la provisión de Demora Por Paquete Caliente: Cuando el cargador detecta una pila que está caliente, automáticamente inicia una Demora Por Paquete Caliente, suspendiendo la carga hasta que se haya enfriado la pila. Después de haberse enfriado la pila, el cargador automáticamente pasa al modo de Cargar Paquete. Esta característica asegura máxima vida a la batería. LA luz roja resplandece por un período largo, luego corto, mientras está en el modo de Demora Por Pila Caliente.

EL FUNCIONAMIENTO de la BATERÍA

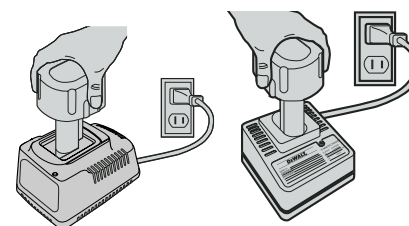
EL FUNCIONAMIENTO de la BATERÍA que algunos cargadores tienen una característica del ajuste optimiza funcionamiento del paquete de la batería. Su cargador puede proporcionar a automático Temple -Up™ modo o manual (es decir botón de empuje) Temple -Up™ el modo. Para la información sobre esta característica, vea por favor la sección apropiada abajo. Porque las baterías pierden lentamente su carga cuando no están en el cargador, el mejor lugar para guardar su paquete de la batería está en el cargador en todos los tiempos.

CARGADOR DE 15 MINUTOS



CARGADORES DE 1 HORA

FIG. 1



Español

El usar automático Templa-Up™

El usar automático Templa -Up™ modo que el automáticos Templan -Para arriba modo igualan o balancean las células individuales en el paquete de la batería permitiendo que funcione en la capacidad máxima. Los paquetes de la batería se deben templar para arriba después de que cada 10mo ciclo de la carga/de la descarga o siempre que el paquete entregue no más de largo la misma cantidad de trabajo. Para utilizar el modo automático del ajuste, ponga simplemente el paquete de la batería en el cargador y déjelo por por lo menos ocho horas. El cargador completará un ciclo con los modos siguientes.

1. La luz roja centelleo continuamente indicando que el ciclo de una hora de la carga ha comenzado.
2. Cuando el ciclo de una hora de la carga es completo, la luz permanecerá encendido continuamente y no quiere ningún parpadeo más largo. Esto indica que el paquete está cargado y se puede completamente utilizar en este tiempo.
3. Siempre que el paquete se deje en el cargador después de que la carga de una hora inicial, el cargador comience el automático Temple -Para arriba el modo. Este modo continúa hasta 8 horas o hasta las células individuales en el paquete de la batería se igualan. El paquete de la batería es pronto para usar y se puede quitar en cualquier momento durante Templa-Para arriba modo.
4. El automáticos Templan-Para arriba una vez modo son completos la transición de la voluntad del cargador a una carga del mantenimiento; ninguna luz de indicador muestra la terminación del Autom.

Utilización del modo Tune-up™

El modo Tune-up™ nivelará o mantendrá en equilibrio las células individuales que se encuentran al interior de la batería a su máxima capacidad. Este ciclo puede tomar hasta 8 horas. Las baterías deben ser niveladas semanalmente o después de 10 a 20 ciclos de carga/descarga, o cuando ya no funcione adecuadamente.

1. Para nivelar su batería, introdúzcala en el cargador como de costumbre. La luz roja parpadeará continuamente indicando que el proceso de carga ha comenzado.
2. Usted podrá presionar el botón Tune-up™ en cualquier momento, después de que la carga haya empezado a funcionar. La luz roja dejará de parpadear momentáneamente, enseguida lo hará 3 veces rápidamente y luego continuará parpadeando de manera continua. Esto indica que el cargador se encuentra nivelando sus baterías.
3. Una vez terminado el ciclo de carga, la luz seguirá encendida de manera continua. El paquete se encuentra completamente cargado y podrá ser utilizado en ese momento o usted podrá dejarlo en el cargador.
4. Si usted selecciona el modo Tune-up™ y cambia de parecer, retire la batería del cargador. Después de 5 segundos, inserte nuevamente la batería en el cargador. El ciclo de carga normal comenzará en ese momento.

Notas importantes de Carga

1. Para obtener un mayor rendimiento y una mayor vida útil de su batería, cárguela cuando la temperatura oscile entre 18° y 24°C (65° y 75°F). NO cargue la batería cuando la temperatura es inferior a 4.5°C (40°F), o superior a 40.5°C (105°F). Esto es muy importante y le evitará serios daños a la batería.
2. El cargador y la batería pueden sentirse calientes al tacto durante la carga. Esto es una condición normal y no indica ningún problema.
3. Si la batería no carga apropiadamente - (1) Verifique la corriente en la toma conectando una lámpara u otro aparato eléctrico. (2) Verifique si la toma está conectada a un interruptor que corte la corriente cuando apaga las luces. (3) Lleve el cargador con la batería a un lugar en donde la temperatura del aire esté entre 18° y 24°C (65° y 75°F). (4) Si los problemas de carga persisten, lleve o envíe la herramienta, la batería y el cargador a su Centro de servicio local.

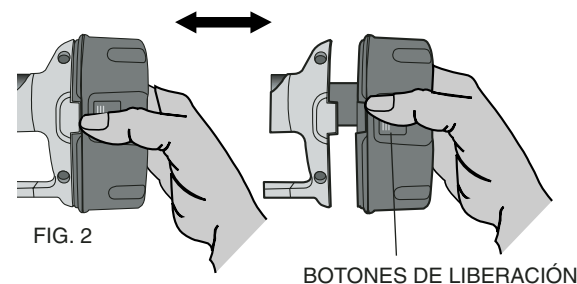
4. La batería debe recargarse cuando deja de producir suficiente potencia en trabajos que se hicieron fácilmente con anterioridad. **NO CONTINÚE** utilizándola en estas condiciones. Siga los procedimientos de carga. Usted puede cargar una batería parcialmente usada cuando lo desee sin que ésta sufra efectos adversos.
5. Bajo ciertas condiciones, con el cargador conectado a la toma de corriente, los contactos de carga expuestos dentro del cargador pueden hacer contacto entre sí debido a algún material externo. Los materiales externos de naturaleza conductora tales como, pero sin limitarse a ellos, el alambre de acero, el papel aluminio o cualquier tipo de partícula metálica, deben conservarse alejados de las cavidades del cargador. Desconecte el cargador siempre que no se encuentre una batería en su receptáculo. Desconecte siempre el cargador de la toma de corriente antes de limpiarlo.
6. No sumerja el cargador en agua o cualquier otro líquido.

▲ ADVERTENCIA: No permita que ningún líquido se introduzca en el cargador. Esto puede originar una descarga eléctrica. Para facilitar el enfriamiento de la batería después de su utilización, evite colocar el cargador o la batería en un lugar caliente, tales como un galpón metálico o un remolque sin aislamiento térmico.

▲ ADVERTENCIA: Nunca intente abrir la batería por ninguna razón. Si el recubrimiento plástico de la batería se rompe o se quiebra, llévela a un Centro de servicio para su reciclaje.

Como instalar y remover el paquete de pilas

NOTE: Asegúrese que su paquete de pilas está completamente cargado. Para instalar el paquete de pilas en el asa de la herramienta, alinee la base de la herramienta con la entalladura dentro del asa de la herramienta y empuje el paquete de pilas firmemente dentro del asa hasta que oiga que la cerradura se ponga en su lugar como indicado en la fig 2.



Para sacar el paquete de pilas de la herramienta apriete los botones de desprender y firmemente hale el paquete de pilas fuera del asa de la herramienta. Insértelo en el cargador como explicado e la sección de cargadores de este manual.

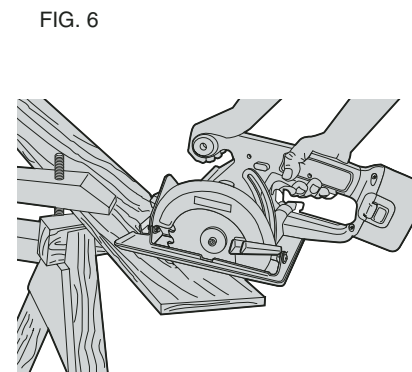
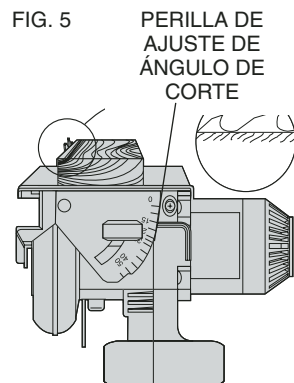
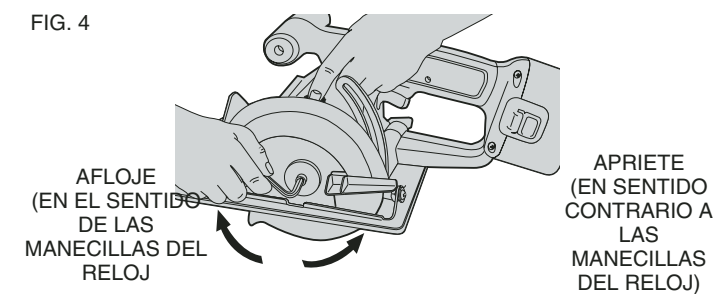
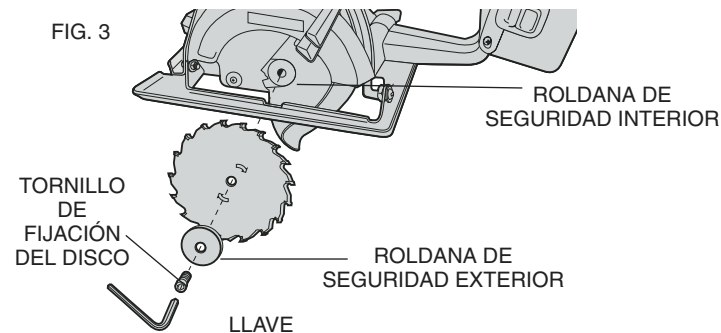
Operación **El cambio de cuchilla**

1. APAGUE LA HERRAMIENTA Y SAQUE EL PAQUETE DE PILAS.
2. Para poner la cuchilla, retraiga la protección inferior y coloque la cuchilla encima del eje y contra la arandela de grapa interior. Coloque la arandela de grapa exterior contra la cuchilla. (La cuchilla debe insertarse con el lado imprimido hacia afuera - los dientes en el fondo de la cuchilla dirigidas hacia el frente – FIG 3).
3. Ponga la tuerca para apretar la cuchilla firmemente a mano para mantener la arandela en su posición. (La tuerca tiene rosca izquierda y debe girarse contra el reloj para apretarse).
4. Apriete ligeramente la tranca de la cuchilla (fig 4) mientras gira el eje hasta que la cuchilla deje de volverse.
5. priete firmemente la tuerca para apretar la cuchilla (contra el reloj) con la llave.
6. Para quitar la cuchilla, APAGUE LA HERRAMIENTA Y SAQUE EL PAQUETE DE PILAS. Ate la tranca de la cuchilla y suelte la tuerca apretando la cuchilla girándola en el sentido del reloj con la llave.

NOTE: Nunca ate la tranca de la cuchilla mientras la sierra está moviéndose ni ate con el proposito de parar la herramienta. Nunca ponga la sierra en marcha con el interruptor cuando la tranca de la cuchilla está atada. La consecuencia será daño serio para su sierra.

Cuchillas

Una cuchilla sin filo causa un corte lento, ineficaz, carga excesiva para el motor de la sierra, excesiva formación de astillas y podría aumentar la posibilidad de salto atrás. Cuchillas recomendadas para el uso con su herramienta son disponibles a costo adicional con su representante



local o en un centro de servicio autorizado. Si necesita asistencia con referencia a cuchillas, por favor llame al 1-800-433-9258.

MODELO	DISCO DE CORTE	DIAMETRO	USO
DW930	DW9055	5-3/8"	16 PARA CORTES COMUNES
DW935	DW9054	5-3/8"	24 CORTE DE ACABADO PULIDO
DW936	DW9052	5-3/8"	78 CORTE DE ALUMINIO
	DW9053	5-3/8"	30 CORTE DE MATERIAL DELGADO
DW939	DW9155	6-1/2"	16 PARA CORTES COMUNES
	DW9154	6-1/2"	24 CORTE DE ACABADO PULIDO

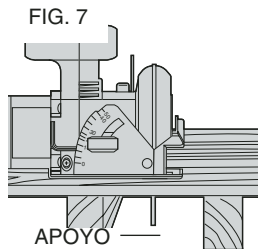
⚠ADVERTENCIA: No use discos abrasivos o cuchillas para cortar materiales férreos (acero), mampostería, vidrio o materiales cerámicos.

⚠ADVERTENCIA: Para reducir al mínimo el riesgo de lesiones de los ojos, siempre use protección adecuada. El carbonado es un material duro pero friable. Objetos ajenos en la pieza de trabajo tales como alambre o clavos pueden causar que se rompan las puntas. Solamente opere máquinas de serrar cuando protección adecuada de la cuchilla esta presente. Monte la cuchilla firmemente en la rotación correcta antes de su uso y siempre use una cuchilla limpia y afilada.

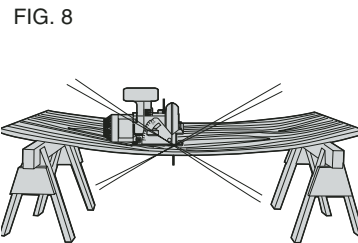
Adjustamiento de la profundidad del corte

1. APAGUE LA HERRAMIENTA Y SAQUE EL PAQUETE DE PILAS.
2. Mantenga la sierra firmemente y suelte (contra el reloj) el botón para ajustar la profundidad y mueva la base para obtener la profundidad deseada del corte.
3. Asegúrese que el botón ha sido apretado (en el sentido del reloj) antes de operar la sierra.

Para la acción más eficiente de cortar, ajuste la profundidad de forma que un diente de la cuchilla esté salido debajo del material a cortar. Esta distancia es de la punta del diente al fondo de la talladura delante. Esto mantiene la fricción de la cuchilla a un mínimo, remueve el aserrín



APOYE la table o el tablero CERCA de la zona de corte



NO apoye la tabla o el tablero lejos de la zona de corte

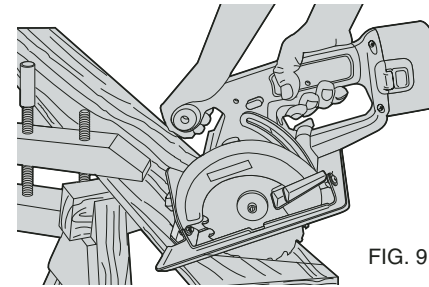


FIG. 9

del corte, resulta en un proceso de serrar más frío y rápido y reduce el riesgo de salto atrás. Se demuestra un método de chequear por la profundidad correcta en la fig 5. Coloque una pieza del material que piensa cortar al lado de la cuchilla, como ilustrado, y observe cuanto del diente sale pasando el material.

NOTE: Cuando usa cuchillas con puntas de carbido, haga una excepción a la regla de arriba permitiendo solamente que salga la mitad de un diente debajo del material a cortar.

Adjustamiento del ángulo del corte

El alcance total del ajustamiento del ángulo es de 5° hasta 50°. El cuadrante está graduado en incrementos de 5°. Hay un mecanismo para el ajustamiento del ángulo en el frente de la sierra (fig. 5) que consiste de un cuadrante calibrado y un botón.. Para ajustar la sierra para un corte de ángulo:

1. APAGUE LA HERRAMIENTA Y SAQUE EL PAQUETE DE PILAS.
2. Suelte (contra el reloj) el botón del cuadrante y vuelque la base al ángulo deseado alineando el apuntador con la marca del ángulo deseado. Vuelva a apretar el botón firmemente (en el sentido del reloj).

NOTE: El apuntador del cuadrante, colocado entre el botón del cuadrante y el cuadrante, puede ajustarse después de soltar su tuerca. Vuelva a apretarla firmemente después del ajustamiento.

Adjustamiento de la base para cortes de 90°

Si hace falta un ajustamiento adicional:

1. APAGUE LA HERRAMIENTA Y SAQUE EL PAQUETE DE PILAS.
2. Ajuste la sierra al ángulo de 0°.
3. Retraiga la protección de la cuchilla. Coloque la sierra en el lado de la cuchilla.
4. Suelte el botón para ajustar el ángulo. Coloque una escuadra contra la cuchilla y la base para ajustar la posición a 90°.
5. Mueva la tuerca de ajustar de forma que la base pare en el ángulo debido.
6. Confirme la exactitud de la posición chequeando el ángulo recto de un corte actual en una pieza de material a deshechar.

INDICADOR DE LA ENTALLADURA

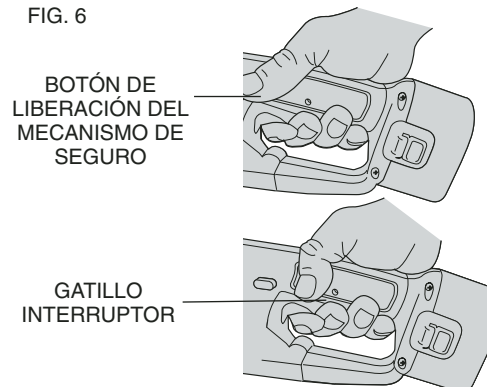
En el frente de la base de la sierra hay un indicador de la entalladura para cortes verticales y de ángulos diferentes. Este indicador le ayuda a trazar la sierra a lo largo de líneas marcadas en el material a cortar. El indicador se alinea con el canto izquierdo (externo) de la cuchilla de la sierra, lo que hace que el corte de ranura o entalladura caiga a la derecha del indicador. Guía a lo largo de las líneas de corte marcadas con lápiz así que la entalladura caiga en el material desechable o sobrante.

Soporte de la pieza de trabajo

La figue 6 demuestra la posición correcta de serrar. Note que las manos se mantienen alejadas del área de cortar. Para evitar el salto atrás, SOPORTE la plancha o el panel CERCA DEL CORTE (FIG. 7). NO SOPORTE la plancha o el panel lejos del corte (FIG. 8).

▲ADVERTENCIA: Es importante que se soporte el trabajo debidamente y que se mantenga firmemente la sierra para evitar la pérdida de control lo que podría causar daño personal. La FIG. 6 demuestra soporte típico de la sierra por la mano. ¡SIEMPRE APAGUE LA HERRAMIENTA Y SAQUE LA BATERÍA ANTES DE HACER CUALQUIER ADJUSTE!

FIG. 6



Ponga el trabajo con su "lado bueno" - el lado cuya apariencia es más importante - hacia abajo. La sierra corta hacia arriba. Así cualquier astilla aparecerá en la cara del trabajo que está para arriba cuando lo corta.

El interruptor

Suelte la tranca apretando el botón como ilustrado (FIG.10). Use el botón para prender o para poner el motor en marcha. Retrocediéndolo se apaga el motor. Soltando el botón para prender también se actúa el botón de soltar la tranca.

NOTE: Esta herramienta no tiene provisión para trancar el interruptor en la posición ON (PRENDIDO), ni debería trancarse en la posición ON por ninguna otra medida.

Cortar

Coloque la parte más ancha de la base de la sierra en aquella parte de la pieza de trabajo que está sólidamente soportada, no sobre la sección que caerá cuando se hace el corte. Como ejemplos, la FIG. 6 explica la forma CORRECTA de cortar un extremo de una plancha. Siempre engrape el trabajo. ¡No trate de mantener piezas cortas en la

mano! Recuerde que debe soportar el material saliente. Use precaución al serrar material desde abajo.

Asegúrese que la sierra está rotando a toda velocidad antes de hacer contacto la cuchilla con el material que se va a cortar. El arrancar la sierra con la cuchilla en contacto con el material a cortar o al empujar la sierra adelante en la entalladura puede resultar en salto atrás. Empuje la sierra hacia delante a una velocidad que permita que la cuchilla corte sin esfuerzo. La dureza del material puede variar hasta en la misma pieza de trabajo y secciones húmedas y con nudos pueden poner una carga pesada en la sierra. Si esto ocurre, empuje la sierra más lentamente, pero con suficiente fuerza para seguir trabajando sin mucha disminución en velocidad. El forzar la sierra puede causar cortes crudos, falta de precisión, salto atrás y recalentamiento excesivo del motor. Si su corte empieza a salir de la línea a que está siguiendo, no intente de forzarlo a volver en la línea. Suelte el botón para prender y permita que la cuchilla llegue a pararse completamente. Entonces Vd. puede sacar la sierra, apuntar de nuevo y empezar un corte nuevo ligeramente dentro del malo. En cada caso, retire la sierra si tiene que cambiar el corte. El forzar una corrección dentro del corte puede friccionar la sierra y resultar en salto atrás.

SI LA SIERRA SE ATASCA SUELTE EL BOTÓN PARA PRENDER Y LLEVE LA SIERRA HACIA ATRAS HASTA QUE ESTÉ LIBRE. ASEGÚRESE QUE LA CUCHILLA ESTÁ RECTA EN EL CORTE Y LIBRE DEL BORDE DEL CORTE ANTES DE ARRANCAR NUEVAMENTE.

Al terminar un corte, suelte el botón de prender y permita que la cuchilla se pare, antes de levantar la sierra fuera del trabajo. Al levantar Vd. la sierra, la protección telescópica con resorte se cerrará automáticamente debajo de la cuchilla. Recuerde que la cuchilla estará expuesta hasta que esto ocurra. Nunca alcance debajo del trabajo por ninguna razón. Si Vd. tiene que remover la protección telescópica manualmente (como es necesario para empezar cortes de bolsillo) siempre use la palanca para retraerla.

NOTE: Cuando está cortando tiras delgadas, tenga cuidado que pequeñas piezas no se metan dentro de la capa de protección inferior.

HENDER

Hender es el proceso de cortar planchas más anchas en tiras más estrechas, cortando en la dirección del grano. Es más difícil el guiar la sierra por la mano para este tipo de cortar y se debería usar alguna forma de guía.

CORTES DE BOLSILLO

APAGUE LA HERRAMIENTA Y SAQUE EL PAQUETE DE PILAS ANTES DE ADJUSTAR.

Un corte de bolsillo es un corte que se hace en el suelo, en una pared o en otra superficie plana.

Ajuste la base para que la cuchilla corte a la profundidad deseada. Vuelque la sierra hacia delante y coloque la parte delantera de la base en el material a cortar. Usando la palanca para retraer, retraiga la protección de la cuchilla a una posición alta. Baje la parte trasera de la base hasta que los dientes de la cuchilla casi toquen la línea del corte. Ahora suelte la protección de la cuchilla (su contacto con el trabajo la mantendrá en posición para abrir libremente cuando Vd. empiece el corte). Prenda el motor y gradualmente baje la sierra hasta que su base repose plana en el material a ser cortado. Adelante la sierra a lo largo de la línea del corte hasta que se complete. Suelte el botón para prender y permita que la cuchilla pare completamente antes de retirarla del material. Al empezar cada corte nuevo, repita el procedimiento descrito. Nunca ate la protección de la cuchilla en una posición levantada. Nunca mueva la sierra hacia atrás cuando está haciendo cortes de bolsillo. Esto puede causar que la unidad se levante fuera del área de trabajo que podría resultar en daño.

Limpieza

Use solamente jabón suave y un trapo mojado para limpiar la herramienta. Muchos detergentes de casa contienen materias químicas que podrían causar serio daño al plástico. Tampoco use gasolina, trementina, diluyentes de barniz y pintura, líquidos de

tintorería o productos similares. Nunca permita que ningún líquido penetre al interior de la herramienta; nunca sumerja ninguna parte de la herramienta en un líquido.

Lubricación

Se están usando cojinetes de bolas y rodillos auto-lubricantes en la herramienta, y no es requerida la lubricación. Sin embargo, se recomienda que una vez por año Vd. lleve o mande la herramienta a un centro de servicio certificado por una limpieza profunda, inspección y lubricación de la caja motriz.

Accesorios

Los accesorios recomendados para uso con su herramienta son disponibles a costo adicional en su centro de servicio local.

Si necesita alguna ayuda en localizar cualquier accesorio, por favor, comuníquese con DeWALT Industrial Tool Co., 701 East Joppa Road, Baltimore, MD 21286 o llame al 1-800-732-4441.

⚠️ ADVERTENCIA: El uso de cualquier otro accesorio o suplemento puede ser peligroso. Suplementos para el riego de agua (usados en cortes de cerámica) no son recomendados para el uso con esta herramienta.

Reparaciones

Para garantizar la SEGURIDAD y la CONFIABILIDAD, deberán hacerse reparaciones, mantenimiento y ajustes de esta herramienta en los centros autorizados de servicio DeWALT u otras organizaciones autorizadas. Estas organizaciones prestan servicio a las herramientas DeWALT y emplean siempre refacciones legítimas DeWALT.

Póliza de Garantía

IDENTIFICACIÓN DEL PRODUCTO:

Sello o firma del Distribuidor.

Nombre del producto: _____ Mod./Cat.: _____

Marca: _____ Núm. de serie: _____

(Datos para ser llenados por el distribuidor)

Fecha de compra y/o entrega del producto: _____

Nombre y domicilio del distribuidor donde se adquirió el producto:

Este producto está garantizado por un año a partir de la fecha de entrega, contra cualquier defecto en su funcionamiento, así como en materiales y mano de obra empleados para su fabricación. Nuestra garantía incluye la reparación o reposición del producto y/o componentes sin cargo alguno para el cliente, incluyendo mano de obra, así como los gastos de transportación razonablemente erogados derivados del cumplimiento de este certificado.

Para hacer efectiva esta garantía deberá presentar su herramienta y esta póliza sellada por el establecimiento comercial donde se adquirió el producto, de no contar con ésta, bastará la factura de compra.

EXCEPCIONES.

Esta garantía no será válida en los siguientes casos:

- Cuando el producto se hubiese utilizado en condiciones distintas a las normales;
- Cuando el producto no hubiese sido operado de acuerdo con el instructivo de uso que se acompaña;
- Cuando el producto hubiese sido alterado o reparado por personas distintas a las enlistadas al final de este certificado.

Anexo encontrará una relación de sucursales de servicio de fábrica, centros de servicio autorizados y franquiciados en la República Mexicana, donde podrá hacer efectiva su garantía y adquirir partes, refacciones y accesorios originales.

Garantía limitada por tres años

DeWALT reparará, sin cargo, cualquier falla que surja de defectos en el material o la fabricación del producto, por hasta tres años a contar de la fecha de compra. Esta garantía no cubre fallas de las piezas causadas por su desgaste normal o abuso a la herramienta. Para mayores detalles sobre la cobertura de la garantía e información acerca de reparaciones realizadas bajo garantía, visítenos en www.dewalt.com o llámenos al 1 800 433-9258 (1-800-4-DeWALT).

Esta garantía no aplica a accesorios o a daños causados por reparaciones realizadas o intentadas por terceros. Esta garantía le otorga derechos legales específicos, además de los cuales puede tener otros dependiendo del estado o provincia en que se encuentre. Además de la garantía, las herramientas DEWALT están cubiertas por:

1 AÑO DE SERVICIO GRATUITO

DEWALT mantendrá la herramienta y reemplazará las piezas gastadas por su uso normal, sin cobro, en cualquier momento durante un año a contar de la fecha de compra.

GARANTÍA DE REEMBOLSO DE SU DINERO POR 90 DÍAS

Si no está completamente satisfecho con el desempeño de su máquina herramienta, láser o clavadora DEWALT, cualquiera sea el motivo, podrá devolverlo hasta 90 días de la fecha de compra con su recibo y obtener el reembolso completo de su dinero – sin necesidad de responder a ninguna pregunta.

REEMPLAZO GRATUITO DE LAS ETIQUETAS DE ADVERTENCIA: Si las etiquetas de advertencia se tornan eligibles o se pierden, llame al 1-800-4-DEWALT para reemplazarlas sin costo alguno.

IMPORTADOR: DEWALT S.A. DE C.V.
 BOSQUES DE CIDROS ACCESO RADIATAS NO. 42
 COL. BOSQUES DE LAS LOMAS, 3A. SECCIÓN, CP 05120
 DELEGACIÓN CUAJIMALPA, MÉXICO, D.F.
 TEL. 5 326 7100
 R.F.C.: BDE810626-1W7

Para servicio y ventas consulte
“HERRAMIENTAS ELECTRICAS”
 en la sección amarilla.



PARA REPARACION Y SERVICIO DE SUS HERRAMIENTAS ELÉCTRICAS, FAVOR DE DIRIGIRSE AL CENTRO DE SERVICIO MAS CERCANO

CULIACAN, SIN Av. Nicolás Bravo #1063 Sur - Col. Industrial Bravo	(667) 7 12 42 11
GUADALAJARA, JAL Av. La Paz #1779 - Col. Americana Sector Juarez	(33) 3825 6978
MEXICO, D.F. Eje Central Lázaro Cardenas No. 18 Local D, Col. Obrera	(55) 5588 9377
MERIDA, YUC Calle 63 #459-A - Col. Centro	(999) 928 5038
MONTERREY, N.L. Av. Francisco I. Madero No.831 - Col. Centro	(81) 8375 2313
PUEBLA, PUE 17 Norte #205 - Col. Centro	(222) 246 3714
QUERETARO, QRO Av. Madero 139 Pte. - Col. Centro	(442) 214 1660
SAN LUIS POTOSI, SLP Av. Universidad 1525 - Col. San Luis	(444) 814 2383
TORREON, COAH Blvd. Independencia, 96 Pte. - Col. Centro	(871) 716 5265
VERACRUZ, VER Prolongación Díaz Mirón #4280 - Col. Remes	(229) 921 7016
VILLAHERMOSA, TAB Constitución 516-A - Col. Centro	(993) 312 5111

PARA OTRAS LOCALIDADES LLAME AL: (55) 5326 7100

Español

DeWALT Battery and Charger Systems													
Battery	Output	Chargers/Charge Time – Chargeurs/Durée de charge (Minutes) – Cargadores de baterías/Tiempo de carga (Minutos)											
		120 Volts						12 Volts					
Cat Number	Voltage	DW9106	DW9118	DW9107	DW9108	DW9116	DW9216	DW9117	DW911	DC011	DW0249	DW0246	DW9109
DW0242	24	X	X	X	X	X	X	X	X	X	60	60	X
DC9096	18	X	X	X	60	60	60	20	60	60	X	X	60
DW9096	18	X	X	X	60	60	60	20	60	60	X	X	60
DW9098	18	X	X	X	30	30	30	12	30	30	X	X	30
DW9099	18	X	X	X	45	45	45	15	45	45	X	X	45
DC9091	14.4	90	115	60	60	60	60	20	60	60	X	X	60
DW9091	14.4	45	90	45	45	45	45	15	45	45	X	X	45
DW9094	14.4	60	60	30	30	30	30	12	30	30	X	X	30
DC9071	12	90	115	60	60	60	60	20	60	60	X	X	60
DW9071	12	60	90	45	45	45	45	15	45	45	X	X	45
DW9072	12	45	60	30	30	30	30	12	30	30	X	X	30
DW9050	12	40	X	X	X	X	X	X	X	X	X	X	X
DW9061	9.6	60	90	45	45	45	45	15	45	45	X	X	45
DW9062	9.6	45	60	30	30	30	30	12	30	30	X	X	30
DW9048	9.6	40	X	X	X	X	X	X	X	X	X	X	X
DW9057	7.2	45	60	30	30	30	30	12	30	30	X	X	30

X Indicates that the battery pack is not compatible with that specific charger.
 X indique que le bloc-piles n'est pas compatible avec ce chargeur.
 Una "X" indica que el paquete de baterías no es compatible con ese determinado cargador.

All charge times are approximate. Actual charge time may vary.
Read the instruction manual for more specific information.

*Les durées de charge sont approximatives; la durée de charge réelle peut varier.
 Lire le manuel d'utilisation pour obtenir des renseignements plus précis.*

*El tiempo de duración de carga es aproximado; la duración de carga real puede variar.
 Lea el manual de instrucciones para obtener información más precisa.*

DeWALT Industrial Tool Co., 701 East Joppa Road, Baltimore, MD 21286

(MAY04-CD-1)

Form No. 611113-01

Copyright © 2003, 2004

The following are trademarks for one or more DeWALT power tools: the yellow and black color scheme; the "D" shaped air intake grill; the array of pyramids on the handgrip; the kit box configuration; and the array of lozenge-shaped humps on the surface of the tool.