

Questions? See us on the World Wide Web at www.dewalt.com

**INSTRUCTION MANUAL
GUIDE D'UTILISATION
MANUAL DE INSTRUCCIONES**

INSTRUCTIVO DE OPERACIÓN, CENTROS DE SERVICIO Y
PÓLIZA DE GARANTÍA. **ADVERTENCIA:** LÉASE ESTE
INSTRUCTIVO ANTES DE USAR EL PRODUCTO.

DEWALT®

DW952, DW953, DW954, DW958, DW961, DW971, DW972, DW990, DW991

Cordless Adjustable Clutch Driver/Drill

Perceuse-tournevis sans fil à embrayage réglable

Taladro/Destornillador Inalámbrico con Embrague Ajustable

DW975/DW996 Cordless Adjustable Hammerdrills

DW975/DW996 Perceuse-tournevis sans fil à embrayage réglable

DW975/DW996 Destornillador Inalámbrico con Embrague Ajustable

IF YOU HAVE ANY QUESTIONS OR COMMENTS ABOUT THIS OR ANY DEWALT TOOL, CALL US TOLL FREE AT: **1-800-4-DEWALT (1-800-433-9258)**

General Safety Rules – For All Battery Operated Tools

⚠ WARNING! Read and understand all instructions. Failure to follow all instructions listed below may result in electric shock, fire and/or serious personal injury.

SAVE THESE INSTRUCTIONS

WORK AREA

- **Keep your work area clean and well lit.** Cluttered benches and dark areas invite accidents.
- **Do not operate power tools in explosive atmospheres, such as in the presence of flammable liquids, gases, or dust.** Power tools create sparks which may ignite the dust or fumes.
- **Keep bystanders, children, and visitors away while operating a power tool.** Distractions can cause you to lose control.

ELECTRICAL SAFETY

- **Do not abuse the cord. Never use the cord to carry the tool.** Keep cord away from heat, oil, sharp edges or moving parts. Replace damaged cords immediately. Damaged cords may create a fire.
- **A battery operated tool with integral batteries or a separate battery pack must be recharged only with the specified charger for the battery.** A charger that may be suitable for one type of battery may create a risk of fire when used with another battery.
- **Use battery operated tool only with the specifically designated battery pack.** Use of any other batteries may create a risk of fire.

PERSONAL SAFETY

- **Stay alert, watch what you are doing and use common sense when operating a power tool.** Do not use tool while tired or under the influence of drugs, alcohol, or medication. A moment of inattention while operating power tools may result in serious personal injury.
- **Dress properly. Do not wear loose clothing or jewelry. Contain long hair.** Keep your hair, clothing, and gloves away from moving parts. Loose clothing, jewelry, or long hair can be caught in moving parts. Air vents cover moving parts, and should be avoided as well.
- **Avoid accidental starting. Be sure switch is in the locked or off position before inserting battery pack.** Carrying tools with your finger on the switch or inserting the battery pack into a tool with the switch on invites accidents.
- **Remove adjusting keys or wrenches before turning the tool on.** A wrench or a key that is left attached to a rotating part of the tool may result in personal injury.
- **Do not overreach.** Keep proper footing and balance at all times. Proper footing and balance enables better control of the tool in unexpected situations.
- **Use safety equipment. Always wear eye protection.** Dust mask, non-skid safety shoes, hard hat, or hearing protection must be used for appropriate conditions.

TOOL USE AND CARE

- **Use clamps or other practical way to secure and support the workpiece to a stable platform.** Holding the work by hand or against your body is unstable and may lead to a loss of control.
- **Do not force tool.** Use the correct tool for your application. The correct tool will do the job better and safer at the rate for which it is designed.
- **Do not use tool if switch does not turn it on or off.** A tool that cannot be controlled with the switch is dangerous and must be repaired.
- **Disconnect battery pack from tool or place the switch in the locked or off position before making any adjustments, changing accessories, or storing the tool.** Such preventative safety measures reduce the risk of starting the tool accidentally.

- **Store idle tools out of reach of children and other untrained persons.** Tools are dangerous in the hands of untrained users.
- **When battery pack is not in use, keep it away from other metal objects like: paper clips, coins, keys, nails, screws, or other small metal objects that can make a connection from one terminal to another.** Shorting the battery terminals together may cause sparks, burns, or a fire.
- **Maintain tools with care.** Keep cutting tools sharp and clean. Properly maintained tools, with sharp cutting edges are less likely to bind and are easier to control.
- **Check for misalignment or binding of moving parts, breakage of parts, and any other condition that may affect the tools operation.** If damaged, have the tool serviced before using. Many accidents are caused by poorly maintained tools.
- **Use only accessories that are recommended by the manufacturer for your model.** Accessories that may be suitable for one tool, may create a risk of injury when used on another tool.

SERVICE

- **Tool service must be performed only by qualified repair personnel.** Service or maintenance performed by unqualified personnel may result in a risk of injury.
- **When servicing a tool, use only identical replacement parts. Follow instructions in the Maintenance section of this manual.** Use of unauthorized parts or failure to follow Maintenance Instructions may create a risk of shock or injury.

Additional Safety Rules

- **Hold tool by insulated gripping surfaces when performing an operation where the tool may contact hidden wiring.** Contact with a “live” wire will also make exposed metal parts of the tool “live” and shock the operator.

⚠ CAUTION: Some tools with large battery packs will stand upright on the battery pack but may be easily knocked over. When not in use, place tool on its side on a stable surface where it will not cause a tripping or falling hazard.

⚠ CAUTION: Wear appropriate hearing protection during use. Under some conditions and duration of use, noise from this product may contribute to hearing loss.

⚠ WARNING: Some dust created by power sanding, sawing, grinding, drilling, and other construction activities contains chemicals known to cause cancer, birth defects or other reproductive harm. Some examples of these chemicals are:

- lead from lead-based paints,
- crystalline silica from bricks and cement and other masonry products, and
- arsenic and chromium from chemically-treated lumber (CCA).

Your risk from these exposures varies, depending on how often you do this type of work. To reduce your exposure to these chemicals: work in a well ventilated area, and work with approved safety equipment, such as those dust masks that are specially designed to filter out microscopic particles.

- **Avoid prolonged contact with dust from power sanding, sawing, grinding, drilling, and other construction activities. Wear protective clothing and wash exposed areas with soap and water.** Allowing dust to get into your mouth, eyes, or lay on the skin may promote absorption of harmful chemicals.

- The label on your tool may include the following symbols.

V	volts	A	amperes
Hz	hertz	W.....	watts
min.....	minutes	~	alternating current
====	direct current	n _o	no load speed
□	Class II Construction	.../min	revolutions or reciprocation per minute
⊕	earthing terminal	⚠	safety alert symbol

Important Safety Instructions for Battery Packs

The battery pack is not fully charged out of the carton! First read the safety instructions below. Then follow charging notes and procedures.

READ ALL INSTRUCTIONS

- Do not incinerate the battery pack even if it is severely damaged or is completely worn out. The battery pack can explode in a fire.
- A small leakage of liquid from the battery pack cells may occur under extreme usage or temperature conditions. This does not indicate a failure. However, if the outer seal is broken and this leakage gets on your skin:
 - a. Wash quickly with soap and water.
 - b. Neutralize with a mild acid such as lemon juice or vinegar.
 - c. If battery liquid gets into your eyes, flush them with clean water for a minimum of 10 minutes and seek immediate medical attention. (**Medical note:** The liquid is 25-35% solution of potassium hydroxide.)
- Do not carry extra battery packs in aprons, pockets, or tool boxes along with other metal objects. Battery pack could be short circuited causing damage to the battery pack and possibly causing severe burns or fire.
- Charge the battery packs only in DeWALT chargers.
- **NOTE:** The batteries in your battery pack are the nickel-cadmium type. Cadmium is considered to be a toxic material by the Environmental Protection Agency. Before disposing of damaged or worn out Nickel-Cadmium battery packs, check with your state Environmental Protection Agency to find out about special restrictions on the disposal of these battery packs or return them to a DeWALT certified service center for recycling.
- **DO NOT** store or use the tool and battery pack in locations where the temperature may reach or exceed 105°F (such as outside sheds or metal buildings in summer).

⚠ DANGER: Never attempt to open the battery pack for any reason. If battery pack case is cracked or damaged, do not insert into charger. Danger of electric shock or electrocution. Damaged battery packs should be returned to service center for recycling.

NOTE: Battery storage and carrying caps are provided for use whenever the battery is out of the tool or charger. Remove cap before placing battery in charger or tool.

⚠ WARNING: Do not store or carry battery so that metal objects can contact exposed battery terminals. For example, do not place battery in aprons, pockets, tool boxes, product kit boxes, drawers, etc. with loose nails, screws, keys, etc. without battery cap. Without cap in place, battery could short circuit causing fire or burns or damage to battery.



The RBRC™ Seal

The RBRC™ (Rechargeable Battery Recycling Corporation) Seal on the nickel-cadmium battery (or battery pack) indicates that the costs to recycle the battery (or battery pack) at the end of its useful life have already been paid by DeWALT. In some areas, it is illegal to place spent nickel-cadmium batteries in the trash or municipal solid waste stream and the RBRC program provides an environmentally conscious alternative.



RBRC in cooperation with DeWALT and other battery users, has established programs in the United States to facilitate the collection of spent nickel-cadmium batteries. Help protect our environment and conserve natural resources by returning the spent nickel-cadmium battery to an authorized DeWALT service center or to your local retailer for recycling. You may also contact your local recycling center for information on where to drop off the spent battery.

Important Safety Instructions for Battery Chargers

SAVE THESE INSTRUCTIONS - This manual contains important safety instructions for DeWALT battery chargers.

- Before using battery charger, read all instructions and cautionary markings on battery charger, battery and product using battery.

⚠ CAUTION: To reduce the risk of injury, charge only DeWALT nickel cadmium rechargeable batteries. Other types of batteries may burst causing personal injury and damage.

⚠ CAUTION: Under certain conditions, with the charger plugged in to the power supply, the exposed charging contacts inside the charger can be shorted by foreign material. Foreign materials of a conductive nature such as, but not limited to, steel wool, aluminum foil, or any buildup of metallic particles should be kept away from charger cavities. Always unplug the charger from the power supply when there is no battery pack in the cavity. Unplug charger before attempting to clean.

⚠ DANGER: 120 volts present at charging terminals. Do not probe with conductive objects. Danger of electric shock or electrocution.

⚠ WARNING: Don't allow any liquid to get inside charger. Electric shock may result.

- The charger and battery pack are specifically designed to work together. **DO NOT** attempt to charge the battery pack with any chargers other than the ones in this manual.
- These chargers are not intended for any uses other than charging DeWALT rechargeable batteries. Any other uses may result in risk of fire, electric shock or electrocution.
- To reduce risk of damage to electric plug and cord, pull by plug rather than cord when disconnecting charger.
- Make sure cord is located so that it will not be stepped on, tripped over, or otherwise subjected to damage or stress.
- An extension cord should not be used unless absolutely necessary. Use of improper extension cord could result in risk of fire, electric shock, or electrocution.
- An extension cord must have adequate wire size (AWG or American Wire Gauge) for safety. The smaller the gauge number of the wire, the greater the capacity of the cable, that is 16 gauge has more capacity than 18 gauge. When using more than one extension to make up the total length, be sure each individual extension contains at least the minimum wire size.

Recommended Minimum AWG Size for Extension Cords

Total Extension Cord Length (feet)

25	50	75	100	125	150	175
18	18	16	16	14	14	12

Wire Gauge (AWG)

- The charger is ventilated through slots in the top and the bottom of the housing. Do not place any object on top of charger or place the charger on a soft surface that might block the ventilation slots and result in excessive internal heat. Place the charger in a position away from any heat source.
- Do not operate charger with damaged cord or plug — have them replaced immediately.
- Do not operate charger if it has received a sharp blow, been dropped, or otherwise damaged in any way; take it to an authorized service center.
- Do not disassemble charger; take it to an authorized service center when service or repair is required. Incorrect reassembly may result in a risk of electric shock, electrocution or fire.
- To reduce risk of electric shock, unplug charger from outlet before attempting any cleaning. Removing the battery pack will not reduce this risk.
- **NEVER** attempt to connect 2 chargers together.
- The charger is designed to operate on standard household electrical power (120 Volts AC). Do not attempt to use it on any other voltage! This does not apply to vehicular charger.

Chargers

Your battery can be charged in DeWALT 1 Hour Chargers, 15 Minute Chargers or Vehicular 12 volt charger. Be sure to read all safety instructions before using your charger.

Consult chart on back cover for compatibility of chargers and battery packs.

Charging Procedure

1 HOUR CHARGERS

1. Plug the charger into an appropriate power outlet.
2. Insert the battery pack into the charger, as shown in FIG. 1, making sure the pack is fully seated in the charger. The red (charging) light will blink continuously indicating that the charging process has started.
3. The battery pack will be fully charged in about 1 hour. The completion of charge will be indicated by the red light remaining ON continuously. The pack is fully charged and may be used at this time or left in the charger.

TROUBLE INDICATORS: These chargers are designed to detect certain problems that can arise with battery packs which would be indicated by the red light flashing at a fast rate (and continuous beeping for 15 Minute Chargers). If this occurs, re-insert battery pack. If problem persists, try a different battery pack to determine if the charger is OK. If the new pack charges correctly, then the original pack is defective and should be returned to a service center for recycling. If the new battery pack elicits the same trouble indication as the original, have charger tested at an authorized service center.

PROBLEM POWER LINE

If your charger has a Problem Power Line indicator: When the charger is used with some portable power sources such as generators or sources that convert DC to AC, the charger may temporarily suspend operation, **flashing the red light with two fast blinks followed by a pause**. This indicates the power source is out of limits.

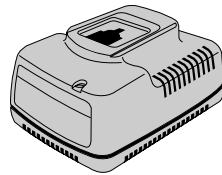
HOT PACK DELAY

If your charger has a Hot Pack Delay feature: When the charger detects a battery that is hot, it automatically starts a Hot Pack Delay, suspending charging until the battery has cooled. After the battery has cooled, the charger automatically switches to the Pack Charging mode. This feature ensures maximum battery life. The red light flashes long, then short while in the Hot Pack Delay mode.

15 MINUTE CHARGER



FIG. 1



1 HOUR CHARGER

15 MINUTE CHARGERS

1. Plug the charger into an appropriate power outlet. The charger will beep twice, the red light will blink and go off.
2. Insert the battery pack into the charger, as shown in FIG. 1, making sure the pack is fully seated in the charger. The red light will blink and the charger will beep once indicating the charging process has started.
3. The battery pack will be fully charged in less than 15 minutes under most conditions. This will be indicated by the red light remaining ON and 3 beeps. The pack is fully charged and may be used at this time or left in the charger.

WEAK BATTERY PACKS: The charger can also detect a weak battery. Such batteries are still usable but should not be expected to perform as much work. In such cases, about 10 seconds after battery insertion, the charger will beep rapidly 8 times to indicate a weak battery condition. The charger will then go on to charge the battery to the highest capacity possible.

ALL CHARGERS

Leaving the battery pack in the charger: When the red light remains ON, the charger has switched to its "equalize charge" mode which lasts approximately 4 hours, after which the charger will switch to "maintenance charge" mode. The battery pack can be removed at any time during these charge cycles, but will only be fully charged if the red light is continuously ON. The charger and battery pack can be left connected with the red light glowing indefinitely. The charger will keep the battery pack fresh and fully charged. A battery pack will slowly lose its charge when kept out of the charger. If the battery pack has not been kept on maintenance charge, it may need to be recharged before use. A battery pack may also slowly lose its charge if left in a charger that is not plugged into an appropriate AC source.

Important Charging Notes

1. Longest life and best performance can be obtained if the battery pack is charged when the air temperature is between 65°F and 75°F (18°- 24°C). DO NOT charge the battery pack in an air temperature below +40°F(+4.5°C), or above +105°F (+40.5°C). This is important and will prevent serious damage to the battery pack.
2. The charger and battery pack may become warm to touch while charging. This is a normal condition, and does not indicate a problem.
3. If the battery pack does not charge properly — (1) Check current at receptacle by plugging in a lamp or other appliance, (2) Check to see if receptacle is connected to a light switch which turns power off when you turn out the lights. (3) Move charger and battery pack to a location where the surrounding air temperature is approximately 65°F - 75°F (18°- 24°C). (4) If charging problems persist, take or send the tool, battery pack and charger to your local service center.
4. The battery pack should be recharged when it fails to produce sufficient power on jobs which were easily done previously. DO NOT CONTINUE to use under these conditions. Follow the charging procedure. You may also charge a partially used pack whenever you desire with no adverse affect on the battery pack.
5. Do not immerse charger in water or any other liquid.

WARNING: Don't allow any liquid to get inside charger. Electric shock may result. To facilitate the cooling of the battery pack after use, avoid placing the charger or battery pack in a warm environment such as in a metal shed, or an uninsulated trailer.

CAUTION: Never attempt to open the battery pack for any reason. If the plastic housing of the battery pack breaks or cracks, return to a service center for recycling.

FIG. 2

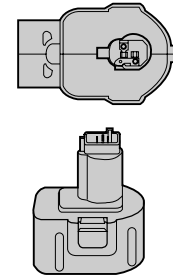
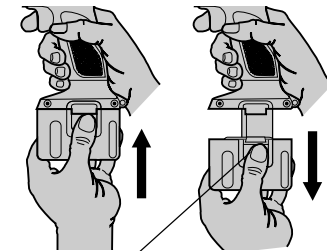


FIG. 3



RELEASE BUTTON

OPERATION

Installing and Removing the Battery Pack (Fig. 2, 3)

NOTE: Make sure your battery pack is fully charged.

To install the battery pack into the tool handle, align the base of the tool with the notch inside the tool's handle and slide the battery pack firmly into the handle until you hear the lock snap into place as shown. To remove the battery pack from the tool, press the release buttons and firmly pull the battery pack out of the tool handle. Insert it into the charger as described in the charger section of this manual.

Variable Speed Switch

To turn the tool on, squeeze the trigger switch. To turn the tool off, release the trigger switch. Your tool is equipped with a brake. The chuck will stop as soon as the trigger switch is fully released.

The variable speed switch enables you to select the best speed for a particular application. The farther you squeeze the trigger, the faster the tool will operate. Use lower speeds for starting holes without a centerpunch, drilling in metals or plastics, driving screws and drilling ceramics, or in any application requiring high torque. Higher speeds are better for drilling in wood, wood compositions and for using abrasive and polishing accessories. For maximum tool life, use variable speed only for starting holes or fasteners.

NOTE: Continuous use in variable speed range is not recommended. It may damage the switch and should be avoided.

FIG. 4

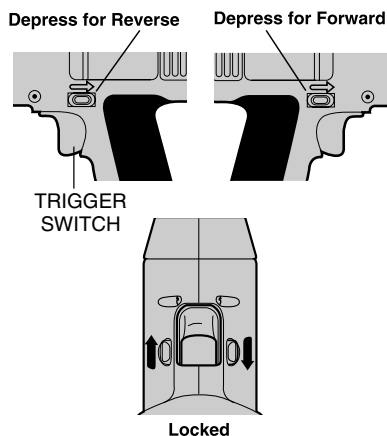
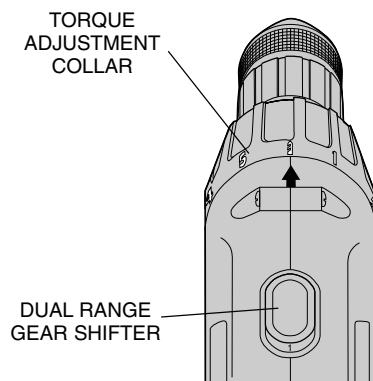


FIG. 5



Forward/Reverse Control Button

(FIG. 4) A forward/reverse control button determines the direction of the tool and also serves as a lock off button. To select forward rotation, release the trigger switch and depress the forward/reverse control button on the right side of the tool. To select reverse, depress the forward/reverse control button on the left side of the tool. The center position of the control button locks the tool in the off position. When changing the position of the control button, be sure the trigger is released. **NOTE:** The first time the tool is run after changing the direction of rotation, you may hear a click on start up. This is normal and does not indicate a problem.

Torque Adjustment Collar

The torque adjustment collar is clearly marked with numbers and a drill bit symbol. The collar should be rotated until the desired setting is located at the top of the tool, (FIG. 5). Locators are provided in the collar to eliminate the guess work when selecting fastening torque. The higher the number on the collar, the higher the torque and the larger the fastener which can be driven. To lock the clutch for drilling operations, move to the drill bit position.

NOTE: When using the Drill/Driver for drilling holes, be sure that the Torque Adjusting Collar is set so the figure of the drill is aligned with the arrow on the top of the tool. Failure to do this will allow the clutch to slip while attempting to drill

Dual Range Gearing

The dual range feature of your Driver/Drill allows you to shift gears for greater versatility. Figure 5 item A.

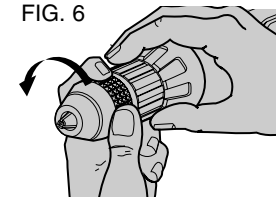
To select the low speed, high torque setting, turn the tool off and permit to stop. Slide the gear shifter forward (towards the chuck) (position 1), as shown in FIG. 5. To select the high speed, low torque setting, turn the tool off and permit to stop. Slide the gear shifter back (away from chuck).

NOTE Do not change gears when the tool is running. If you are having trouble changing gears, make sure that the dual range gear shifter is either completely pushed forward or completely pushed back.

Keyless Chuck

Your tool features a keyless chuck for greater convenience. To insert a drill bit or other accessory, follow the steps listed below.

FIG. 6



1. Lock the trigger switch in the off position as described earlier.
2. Grasp the rear half of the chuck with one hand and use your other hand to rotate the front half counterclockwise, as shown in FIG 6. Rotate far enough so that the chuck opens sufficiently to accept the desired accessory.
3. Insert the bit or other accessory about 3/4" into the chuck and tighten securely by holding the rear half of the chuck and rotating the front portion in the clockwise direction. To release the accessory, repeat step 2 listed above.

⚠ WARNING: Do not attempt to tighten drill bits (or any other accessory) by gripping the front part of the chuck and turning the tool on. Damage to the chuck and personal injury may result. Always lock off trigger switch when changing accessories.

Be sure to tighten chuck with two hands on both the rear sleeve and the forward sleeve for maximum tightness.

Single Sleeve Chuck

Some tools feature a keyless chuck with one plastic sleeve for one-handed operation of the chuck. To insert a drill bit or other accessory, follow the steps listed below.

1. Lock the trigger in the off position (Fig. 4).
2. Grasp the black sleeve of the chuck with one hand and rotate the sleeve counterclockwise until it is open enough to accept the desired tool.
3. Insert the tool shank about 3/4" (18 mm) and tighten the chuck by rotating the sleeve clockwise.

⚠ WARNING: Do not attempt to tighten drill bits (or other accessory) by gripping the front part of the chuck and turning the tool on. Damage to the chuck and personal injury may result. Always lock the trigger in the off position when changing accessories.

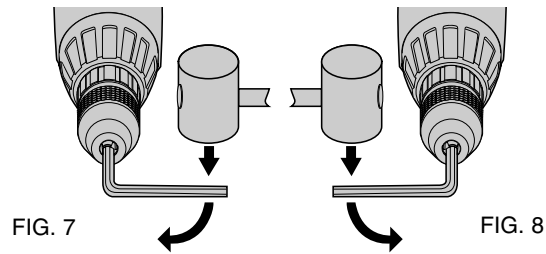
Be sure to tighten the chuck with one hand on the chuck sleeve and one hand firmly holding the drill for maximum tightness.

NOTE: Do not install a single sleeve chuck onto a tool that has a standard two sleeve, keyless chuck. Tools originally built with a single-sleeve chuck have an internal locking mechanism that is not part of the chuck. Therefore the single-sleeve chuck will not function properly on tools originally built with standard two-sleeve chucks.

Chuck Removal

Always wear eye protection.

Turn the adjustment collar to the "drill" position and low speed gear shifter position 1. Tighten the chuck around the shorter end of a hex key (not supplied) of 1/4" or greater size. Using a wooden mallet or similar object, strike the longer end in the clockwise direction, as shown in FIG. 7. This will loosen the screw inside the chuck.



Open chuck jaws fully, insert screwdriver (or Torx tool if required) into front of chuck between jaws to engage screw head. Remove screw by turning clockwise (left-hand-thread). Place hex key in chuck and tighten, as shown in FIG. 8. Using a wooden mallet or similar object, strike key sharply in the counterclockwise direction. This will loosen the chuck so that it can be unscrewed by hand.

Chuck Installation

Screw the chuck on by hand as far as it will go and insert screw (LH thread). Tighten screw securely. Tighten the chuck around the shorter end of a 1/4" or larger hex key (not supplied) strike the longer end in the clockwise direction with a wooden mallet, as shown in FIG. 7. Tighten the screw once again by turning in a counterclockwise direction.

Operation as a Drill

Turn the collar to the drill bit symbol. Install and tighten the desired drill bit in the chuck. Select the desired speed/torque range using the dual range gear shifter to match the speed and torque to the planned operation. Follow these instructions for best results when drilling.

DRILLING

1. Use sharp drill bits only. For WOOD, use twist drill bits, spade bits, power auger bits, or hole saws. For METAL, use high speed steel twist drill bits or hole saws. For MASONRY, such as brick, cement, cinder block, etc., use carbide-tipped bits.
2. Be sure the material to be drilled is anchored or clamped firmly. If drilling thin material, use a "back-up" block to prevent damage to the material.
3. Always apply pressure in a straight line with the bit. Use enough pressure to keep the drill bit biting, but do not push hard enough to stall the motor or deflect the bit.
4. Hold tool firmly to control the twisting action of the drill.
5. IF DRILL STALLS, it is usually because it is being overloaded. RELEASE TRIGGER IMMEDIATELY, remove drill bit from work, and determine cause of stalling. DO NOT CLICK TRIGGER OFF AND ON IN AN ATTEMPT TO START A STALLED DRILL – THIS CAN DAMAGE THE DRILL.
6. To minimize stalling or breaking through the material, reduce pressure on drill and ease the bit through the last fractional part of the hole.
7. Keep the motor running when pulling the bit back out of a drilled hole. This will help prevent jamming.
8. With variable speed drills there is no need to center punch the point to be drilled. Use a slow speed to start the hole and accelerate by squeezing the trigger harder when the hole is deep enough to drill without the bit skipping out. Operate at full on after starting the bit.

Operation as a Hammerdrill

To utilize the hammer feature of your tool, rotate the collar to align the hammer symbol with the arrow shown in FIG.5. The hammering position is for hammer drilling in soft concrete and masonry such as brick, mortar and soft ceramics.

1. When drilling, use just enough force on the hammer to keep it from bouncing excessively or "rising" off the bit. Too much force will cause slower drilling speeds, overheating, and a lower drilling rate.

2. Drill straight, keeping the bit at a right angle to the work. Do not exert side pressure on the bit when drilling as this will cause clogging of the bit flutes and a slower drilling speed.
3. When drilling deep holes, if the hammer speed starts to drop off, pull the bit partially out of the hole with the tool still running to help clear debris from the hole.
4. Do not pour water into the hole to settle dust. Water causes clogging of bit flutes which will tend to make the bit bind in the hole.

Drilling in Wood

Holes in wood can be made with the same twist drills used for metal. These bits may overheat unless pulled out frequently to clear chips from the flutes. For larger holes, use low speed wood bits. Work that is likely to splinter should be backed up with a block of wood.

Drilling in Metals

Use a cutting lubricant when drilling metals. The exceptions are cast iron and brass which should be drilled dry. The cutting lubricants that work best are sulphurized cutting oil or lard oil; bacon grease will also serve the purpose.

Drilling Masonry

Use carbide tipped masonry bits at low speeds. Keep even force on the drill but not so much that you crack the brittle materials. A smooth, even flow of dust indicates the proper drilling rate.

Operation as a Screwdriver

Select the desired speed/torque range using the dual range gear shifter on the top of tool to match the speed and torque to the planned operation.

Insert the desired fastener accessory into the chuck as you would any drill bit. Make a few practice runs in scrap or unseen areas to determine the proper position of the clutch collar.

Maintenance

CLEANING: With the motor running, blow dirt and dust out of all air vents with dry air at least once a week. Wear safety glasses when performing this. Exterior plastic parts may be cleaned with a damp cloth and mild detergent. Although these parts are highly solvent resistant, NEVER use solvents.

CHARGER CLEANING INSTRUCTIONS:

⚠ WARNING: Disconnect the charger from the AC outlet before cleaning.

Dirt and grease may be removed from the exterior of the charger using a cloth or soft non-metallic brush. Do not use water or any cleaning solutions.

Accessories

Recommended accessories for use with your tool are available at extra cost from your local service center.

⚠ CAUTION: The use of any non-recommended accessory may be hazardous.

If you need any assistance in locating any accessory, please contact DEWALT Industrial Tool Co., 701 East Joppa Road, Baltimore, MD 21286 or call 1-800-4-DEWALT. (1-800-433-9258)

MAXIMUM RECOMMENDED CAPACITIES

	Low Range- 1	High Range- 2
BITS, METAL DRILLING	3/8"	1/4"
WOOD, FLAT BORING	1"	5/8"
HOLE SAWS	1"	3/4"

Repairs

To assure product SAFETY and RELIABILITY, repairs, maintenance and adjustment (including brush inspection and replacement) should be performed by certified service centers or other qualified service organizations, always using identical replacement parts.

Full Warranty

DEWALT heavy duty industrial tools are warranted for one year from date of purchase. We will repair, without charge, any defects due to faulty materials or workmanship. For warranty repair information, call 1-800-4-DEWALT. This warranty does not apply to accessories or damage caused where repairs have been made or attempted by others. This warranty gives you specific legal rights and you may have other rights which vary in certain states or provinces.

In addition to the warranty, DEWALT tools are covered by our:

30 DAY NO RISK SATISFACTION GUARANTEE

If you are not completely satisfied with the performance of your DEWALT heavy duty industrial tool, simply return it to the participating seller within 30 days for a full refund. Please return the complete unit, transportation prepaid. Proof of purchase may be required.

FREE WARNING LABEL REPLACEMENT: If your warning labels become illegible or are missing, call 1-800-4-DEWALT for a free replacement.

POUR TOUT RENSEIGNEMENT SUPPLÉMENTAIRE SUR CET OUTIL OU TOUT AUTRE OUTIL DEWALT, COMPOSER SANS FRAIS LE NUMÉRO :

1 800 4-DEWALT (1 800 433-9258)

Regles de sécurité générales pour tous les outils à batterie

⚠ **AVERTISSEMENT!** Vous devez lire et comprendre toutes les instructions. Le non-respect, même partiel, des instructions ci-après entraîne un risque de choc électrique, d'incendie et/ou de blessures graves.

CONSERVEZ CES INSTRUCTIONS

AIRE DE TRAVAIL

- **Veillez à ce que l'aire de travail soit propre et bien éclairée.** Le désordre et le manque de lumière favorisent les accidents.
- **N'utilisez pas d'outils électriques dans une atmosphère explosive, par exemple en présence de liquides, de gaz ou de poussières inflammables.** Les outils électriques créent des étincelles qui pourraient enflammer les poussières ou les vapeurs.
- **Tenez à distance les curieux, les enfants et les visiteurs pendant que vous travaillez avec un outil électrique.** Ils pourraient vous distraire et vous faire faire une fausse manoeuvre.

SÉCURITÉ ÉLECTRIQUE

- **Ne maltraitez pas le cordon. Ne transportez pas l'outil par son cordon et ne débranchez pas la fiche en tirant sur le cordon.** N'exposez pas le cordon à la chaleur, à des huiles, à des arêtes vives ou à des pièces en mouvement. Remplacez immédiatement un cordon endommagé. Un cordon endommagé augmente le risque de choc électrique.
- **Un outil à bloc-batterie amovible ou à batterie intégrée ne doit être rechargé qu'avec le chargeur prévu pour la batterie.** Un chargeur qui convient à tel type de batterie peut présenter un risque d'incendie avec tel autre type de batterie.
- **N'utilisez un outil qu'avec un bloc-batterie conçu spécifiquement pour lui.** L'emploi d'un autre bloc-batterie peut créer un risque d'incendie.

SÉCURITÉ DES PERSONNES

- **Restez alerte, concentrez-vous sur votre travail et faites preuve de jugement.** N'utilisez pas un outil électrique si vous êtes fatigué ou sous l'influence de drogues, d'alcool ou de médicaments. Un instant d'inattention suffit pour entraîner des blessures graves.
- **Habillez-vous convenablement. Ne portez ni vêtements flottants ni bijoux. Confinez les cheveux longs.** N'approchez jamais les cheveux, les vêtements ou les gants des pièces en mouvement. Des vêtements flottants, des bijoux ou des cheveux longs risquent d'être happés par des pièces en mouvement. Se tenir éloigné des événements puisque ces derniers pourraient camoufler des pièces mobiles.
- **Méfiez-vous d'un démarrage accidentel.** Avant d'insérer un bloc-batterie, assurez-vous que l'interrupteur de l'outil est sur ARRÊT. Le fait de transporter un outil avec le doigt sur la détente ou d'insérer un bloc-batterie alors que l'interrupteur est en position MARCHE peut mener tout droit à un accident.
- **Enlevez les clés de réglage ou de serrage avant de démarrer l'outil.** Une clé laissée dans une pièce tournante de l'outil peut provoquer des blessures.
- **Ne vous penchez pas trop en avant.** Maintenez un bon appui et restez en équilibre en tout temps. Une bonne stabilité vous permet de mieux réagir à une situation inattendue.
- **Utilisez des accessoires de sécurité. Portez toujours des lunettes ou une visière.** Selon les conditions, portez aussi un masque antipoussière, des bottes de sécurité antidérapantes, un casque protecteur et/ou un appareil antibruit.

UTILISATION ET ENTRETIEN DES OUTILS

- **Immobilisez le matériau sur une surface stable au moyen de brides ou de toute autre façon adéquate.** Le fait de tenir la pièce avec la main ou contre votre corps offre une stabilité insuffisante et peut amener un dérapage de l'outil.
- **Ne forcez pas l'outil.** Utilisez l'outil approprié à la tâche. L'outil correct fonctionne mieux et de façon plus sécuritaire. Respectez aussi la vitesse de travail qui lui est propre.
- **N'utilisez pas un outil si son interrupteur est bloqué.** Un outil que vous ne pouvez pas commander par son interrupteur est dangereux et doit être réparé.
- **Retirez le bloc-batterie ou mettez l'interrupteur sur ARRÊT ou en position verrouillée avant d'effectuer un réglage, de changer d'accessoire ou de ranger l'outil.** De telles mesures préventives réduisent le risque de démarrage accidentel de l'outil.
- **Rangez les outils hors de la portée des enfants et d'autres personnes inexpérimentées.** Les outils sont dangereux dans les mains d'utilisateurs novices.
- **Lorsque le bloc-batterie n'est pas en service, tenez-le à l'écart d'autres métalliques (trombones, pièces de monnaie, clés, clous, vis, etc.) susceptibles d'établir un contact électrique entre les deux bornes.** La mise en court-circuit des bornes de la batterie peut produire des étincelles et constitue un risque de brûlures ou d'incendie.
- **Prenez soin de bien entretenir les outils.** Les outils de coupe doivent être toujours bien affûtés et propres. Des outils bien entretenus, dont les arêtes sont bien tranchantes, sont moins susceptibles de coincer et plus faciles à diriger.
- **Soyez attentif à tout désalignement ou coincement des pièces en mouvement, à tout bris ou à toute autre condition préjudiciable au bon fonctionnement de l'outil.** Si vous constatez qu'un outil est endommagé, faites-le réparer avant de vous en servir. De nombreux accidents sont causés par des outils en mauvais état.
- **N'utilisez que des accessoires que le fabricant recommande pour votre modèle d'outil.** Certains accessoires peuvent convenir à un outil, mais être dangereux avec un autre.

RÉPARATION

- **La réparation des outils électriques doit être confiée à un réparateur qualifié.** L'entretien ou la réparation d'un outil électrique par un amateur peut avoir des conséquences graves.
- **Pour la réparation d'un outil, n'employez que des pièces de rechange d'origine.** Suivez les directives données à la section «Réparation» de ce manuel. L'emploi de pièces non autorisées ou le non-respect des instructions d'entretien peut créer un risque de choc électrique ou de blessures.

Mesures de sécurité additionnelles

- **Ne le saisissez que par ses poignées en plastique afin de se protéger des secousses électriques que provoqueraient le contact de la lame avec un fil sous tension.** Lorsqu'on scie dans les murs, les planchers ou tout autre endroit où peuvent se trouver des fils sous tension, ne pas toucher à tout composant métallique de l'outil.
- **⚠ MISE EN GARDE :** Quelques outils avec de grands paquets de batterie se tiendront droits sur le paquet de batterie mais peuvent être facilement frappés plus de. Quand pas en service, placez l'outil de son côté sur une surface stable où il ne causera pas un risque de déclenchement ou en chute.
- **⚠ MISE EN GARDE :** porter un dispositif de protection personnel anti-bruit approprié durant l'utilisation. Sous certaines conditions et pendant toute la durée de l'utilisation, le bruit émanant de ce produit pourrait contribuer à la perte d'audition.
- **⚠ AVERTISSEMENT :** Certains outils, tels que les sableuses électriques, les scies, les meules, les perceuses ou certains autres outils de construction, peuvent soulever de la poussière contenant des produits chimiques susceptibles d'entraîner le cancer, des mal-

formations congénitales ou pouvant être nocifs pour le système reproductif. Parmi ces produits chimiques, on retrouve :

- le plomb dans les peintures à base de plomb;
- la silice cristalline dans les briques et le ciment et autres produits de maçonnerie;
- l'arsenic et le chrome dans le bois de sciage ayant subi un traitement chimique (CCA).

Le risque associé à de telles expositions peut varier selon la fréquence avec laquelle on effectue ces travaux. Pour réduire l'exposition à de tels produits, il faut travailler dans un endroit bien ventilé et utiliser l'équipement de sécurité approprié tel un masque anti-poussières spécialement conçu pour filtrer les particules microscopiques.

- **Éviter tout contact prolongé avec la poussière soulevée par cet outil ou autres outils électriques. Porter des vêtements de protection et nettoyer les parties exposées du corps avec de l'eau savonneuse. S'assurer de bien se protéger afin d'éviter d'absorber par la bouche, les yeux ou la peau des produits chimiques nocifs.**
- L'étiquette de l'outil peut comporter les symboles suivants.

V	volts	A	ampères
Hz	hertz	W	watts
.../min	minutes	~	courant alternatif
-----	courant continu	n°	sous vide
□	construction de classe II	/min	tours ou courses à la minute
⊕	borne de mise à la terre	⚠	symbole d'avertissement

Importantes mesures de sécurité relatives aux ensembles de piles

L'ensemble de piles n'est pas complètement chargé à sa sortie de l'usine. Lire d'abord les instructions suivantes, puis se conformer aux directives relatives au chargement.

LIRE TOUTES LES DIRECTIVES

- Ne pas incinérer l'ensemble de piles même s'il est très endommagé ou complètement usé. La chaleur des flammes peut faire exploser les piles.
- Il peut se produire une légère fuite du liquide excitateur des piles dans des conditions d'utilisation et de chargement difficiles ou en cas de température extrême, fuite qui ne serait pas nécessairement un signe de panne. Toutefois, si ce liquide s'échappe par une rupture du joint étanche du boîtier et atteint la peau, il faut :
 - a. laver immédiatement à l'eau et au savon;
 - b. neutraliser à l'aide d'un acide doux (jus de citron ou vinaigre)
 - c. si le liquide excitateur atteint les yeux, il faut rincer à l'eau claire pendant au moins dix minutes et consulter immédiatement un médecin. (**Avis au médecin** : le liquide excitateur est une solution d'hydrogène de potassium à 25-35 p. 100.)
- Ne pas tenter d'ouvrir le boîtier de l'ensemble de piles. Si le boîtier en plastique se fend ou se brise, ne plus s'en servir et ne pas le recharger.
- Ne pas transporter des ensembles de piles de rechange dans des tabliers, des poches ou des coffres à outil avec d'autres objets métalliques. L'ensemble de piles pourrait alors être court-circuité, ce qui l'endommagerait et présenterait des risques de brûlures importantes ou d'incendie.
- Les ensembles de piles doivent être chargés seulement à l'aide d'un chargeur DEWALT.
- **NOTE** : Relire et respecter toutes les notes importantes relatives au chargement qu'on retrouve dans le présent guide.
- **NOTE** : Les piles de l'ensemble renferment du nickel-cadmium. Le cadmium est un produit toxique. Avant de se débarrasser d'un ensemble de piles au nickel-cadmium, se renseigner sur les règlements locaux à cet effet ou retourner l'ensemble de piles à un centre de service DEWALT autorisé pour qu'il y soit recyclé.

REMARQUE : Un capuchon est fourni avec la pile en vue d'être utilisé chaque fois qu'on retire cette dernière de l'outil ou du chargeur en vue de la ranger ou de la transporter; enlever le capuchon avant de remettre la pile dans le chargeur ou dans l'outil.



⚠ AVERTISSEMENT : S'assurer, au moment de ranger ou de transporter la pile, qu'aucun objet métallique n'entre en contact avec les bornes à découvert de la pile. Par exemple, il faut éviter de placer une pile sans capuchon dans un tablier, une poche, une boîte à outils ou un tiroir (etc.) contenant des objets tels que des clous, des vis ou des clés, car la pile pourrait causer un court-circuit et s'endommager, ou risquer de provoquer des brûlures ou un incendie.

Ensembles de piles

L'outil nécessite un ensemble de piles DEWALT de 9,6, de 12, ou de 14,4 volts. Lorsqu'on commande un ensemble de piles de rechange, bien indiquer le numéro de modèle et la tension.

Les ensembles de piles ^c à durée prolongée et à haute capacité durent 25 p. 100 plus longtemps que les ensembles de piles standard. **NOTE** : On peut utiliser des ensembles de piles standard ou à durée prolongée avec l'outil. Il faut toutefois s'assurer que la tension est appropriée.

Le sceau RBRC^{mc}

Le sceau RBRC^{mc} de l'ensemble de piles au nickel-cadmium indique que mDEWALT participe volontairement à un programme du monde industriel qui a pour objet de ramasser et de recycler ces ensembles de piles à la fin de leur vie utile, si on s'en débarrasse aux États-Unis. Le programme RBRC^{mc} offre une solution de rechange pratique à la mise au rebut des ensembles de piles au nickel-cadmium usés, que ce soit à la poubelle ou dans le système municipal car cette mise au rebut est illégale dans certains endroits.



Grâce à la contribution de DEWALT au RBRC^{mc}, il suffit de laisser un ensemble de piles usé chez les détaillants qui vendent des piles au nickel-cadmium de rechange ou dans un centre de service DEWALT autorisé. On peut également se renseigner auprès de son centre local de recyclage pour savoir comment se débarrasser d'un ensemble de piles usé. DEWALT fait partie de ce programme en raison de son engagement à protéger l'environnement et à préserver les ressources naturelles.

RBRC^{mc} est une marque de commerce de l'organisme américain Rechargeable Battery Recycling Corporation.

Importantes mesures de sécurité relatives au chargeur

Le présent guide contient des conseils importants relatifs à la sécurité et à l'utilisation. Bien lire toutes les directives et tous les avertissements qui se trouvent sur le chargeur, l'ensemble de piles et l'outil avant d'utiliser le chargeur.

⚠ DANGER : Les bornes du chargeur sont sous une tension de 120 volts. Ne pas les examiner avec un objet conducteur; cela présente des risques de secousses électriques.

⚠ DANGER : Ne pas placer dans le chargeur un ensemble de piles craqué ou endommagé; cela présente des risques de secousses électriques.

- Le chargeur et l'ensemble de piles ont été conçus pour fonctionner ensemble. **NE JAMAIS** tenter de charger l'ensemble de piles à l'aide d'un chargeur autre que ceux décrits dans le présent guide.
- Protéger le chargeur de la pluie ou de la neige.
- L'utilisation du chargeur pour tout ensemble de piles autre que les ensembles rechargeables DEWALT comporte des risques d'incendie et de secousses électriques.
- Pour minimiser les risques de dommages au cordon et à sa fiche, débrancher l'appareil en tirant sur la fiche plutôt que sur le cordon.

- Veiller à ce que le cordon soit rangé de sorte qu'on ne marche pas dessus, qu'il ne présente pas de risques de blessures, et qu'il ne soit pas autrement sujet aux dommages et aux contraintes.
- Sauf nécessité absolue, ne jamais utiliser de cordon de rallonge. L'utilisation d'un cordon de rallonge non conforme présente des risques d'incendies et de secousses électriques.
- Les cordons de rallonge doivent être faits de conducteurs de calibre approprié (AWG ou jauge américaine des fils) par mesure de sécurité. Le numéro de calibre du fil est inversement proportionnel à la capacité du cordon. Ainsi, un cordon de calibre 16 a une capacité supérieure à celle d'un cordon de calibre 18. Lorsqu'il est nécessaire d'utiliser plus d'un cordon de rallonge, veiller à ce que chaque cordon ait au moins le calibre minimal.

Calibre de fil minimum recommandé pour les rallonges

Longueur totale de la rallonge

25 pi	50 pi	75 pi	100 pi	125 pi	150 pi	175 pi
7,6 m	15,2 m	22,9 m	30,5 m	38,1 m	45,7 m	53,3 m

Calibre AWG

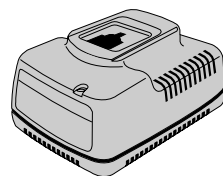
18	18	16	16	14	14	12
----	----	----	----	----	----	----

- La ventilation du chargeur se fait par les fentes sur le dessus et le dessous de l'appareil. Ne rien déposer sur le chargeur et ne pas déposer ce dernier sur une surface qui pourrait en bloquer les orifices car cela risque de provoquer la surchauffe de l'appareil. Éloigner le chargeur des sources de chaleur.
- Ne jamais se servir du chargeur lorsque le cordon ou la fiche sont endommagés. Les remplacer immédiatement.
- Ne jamais se servir d'un chargeur qui a encaissé un coup brusque, qui est tombé ou qui est endommagé. Le faire vérifier à un centre de service autorisé.
- Ne jamais démonter le chargeur. N'en confier la réparation ou l'entretien qu'à un centre de service autorisé. Le remontage non conforme du produit comporte des risques d'incendies ou de secousses électriques.
- Pour minimiser les risques de secousses électriques, débrancher le chargeur de la prise de courant avant de le nettoyer. Le risque n'est pas éliminé en enlevant l'ensemble de piles du chargeur.
- **NE JAMAIS** raccorder deux chargeurs l'un à l'autre.
- **NE PAS** ranger le produit dans un endroit où la température peut atteindre 40 °C (105 °F) (comme dans une remise métallique en été).
- Le chargeur est conçu pour fonctionner sur une alimentation domestique standard (120 volts). Ne pas essayer de s'en servir sous toute autre tension.

Chargeurs

L'ensemble de piles peut être chargé dans un chargeur en 15 minutes ou dans un chargeur en une heure DEWALT. Bien lire toutes les mesures de sécurité relatives aux chargeurs avant de s'en servir.

CHARGEUR EN 15 MINUTES



CHARGEUR EN UNE HEURE

Méthode de chargement

CHARGEURS D'UNE HEURE

1. Enficher le chargeur dans une prise appropriée.
2. Insérer le bloc-piles dans le chargeur, tel qu'illustré à la FIG. 1, en s'assurant de bien l'enfoncer. Le voyant (de charge) rouge clignotera continuellement, indiquant que le cycle de charge est amorcé.
3. Le bloc-piles est complètement chargé après environ une heure. Le voyant rouge restera allumé, indiquant que le bloc-piles est complètement rechargé; on peut alors le réutiliser ou le laisser dans le chargeur.

PROBLÈMES RELIÉS À LA SOURCE DE COURANT : les chargeurs munis d'un voyant d'indication de problème au niveau de la source de courant peuvent suspendre temporairement le chargement s'il est branché dans une source d'alimentation portative, comme une génératrice ou un convertisseur de courant continu en courant alternatif. En présence d'un tel problème, le voyant rouge émet deux clignotements rapides, suivis d'une pause, indiquant que le problème se situe au niveau de la source de courant.

DISPOSITIF DE DÉTECTION DE PILES CHAUDES : si le chargeur est muni d'un dispositif visant à détecter les piles chaudes, le chargement sera retardé jusqu'à ce que la pile se soit refroidie et le chargeur se placera automatiquement en position de chargement; ce dispositif sert à maximiser la durée de vie des piles. Le voyant rouge s'allume longuement, et ensuite brièvement lorsque ce dispositif est en marche.

CHARGEURS DE 15 MINUTES

1. Enficher le chargeur dans une prise appropriée; une fois alimenté, il émet deux signaux sonores et le voyant rouge clignote puis s'éteint.
2. Insérer le bloc-piles dans le chargeur, tel qu'illustré à la FIG. 1, en s'assurant de bien l'enfoncer. Le voyant rouge clignotera continuellement et le chargeur émettra un seul signal sonore pour indiquer que le cycle de charge est amorcé.
3. Dans la plupart des cas, le bloc-piles requiert moins de 15 minutes pour se charger complètement. Le voyant rouge reste allumé et le chargeur émet trois signaux sonores pour indiquer que le bloc-piles est complètement rechargé; on peut alors le réutiliser ou le laisser dans le chargeur.

BLOC-PILES FAIBLE : on peut aussi utiliser le chargeur de 15 minutes pour déterminer si une pile est faible. Bien qu'on puisse continuer à utiliser une pile faible, elle ne procurera pas un plein rendement. Si tel est le cas, 10 secondes après l'insertion de la pile, le chargeur émettra rapidement huit signaux sonores pour indiquer qu'il s'agit d'une pile faible, puis chargera la pile jusqu'à sa pleine capacité.

INDICATEURS D'ANOMALIE : les chargeurs sont conçus pour détecter certains problèmes pouvant être reliés aux bloc-piles. Ces problèmes sont indiqués par le clignotement rapide du voyant rouge et, dans le cas des chargeurs de 15 minutes, par un signal sonore continu. Si un tel problème survient, réinsérer le bloc-piles dans le chargeur. Si le problème persiste, remplacer le bloc-piles afin de déterminer si le chargeur fonctionne bien. Si le bloc-piles de rechange se charge correctement, cela signifie que le bloc initial est défectueux et qu'on doit le retourner à un centre de service afin qu'il puisse être recyclé. Si le bloc neuf affiche le même problème que le bloc initial, on doit faire vérifier le chargeur à un centre de service autorisé.

CHARGEURS DE TOUT TYPE

Bloc-piles laissé dans le chargeur. Lorsque le voyant rouge reste allumé, cela signifie que le chargeur s'est placé en mode d'égalisation de charge, lequel peut rester ainsi pendant environ 4 heures. Après ce délai, le chargeur se placera en mode de tenue de charge. Bien que le bloc-piles puisse être retiré pendant n'importe quel de ces cycles, il n'est complètement chargé que lorsque le voyant rouge reste allumé continuellement. On peut laisser le chargeur (avec un bloc-piles inséré) raccordé à une prise tant que le voyant rouge reste allumé; le chargeur maintient alors la charge du bloc-piles afin que ce dernier soit prêt à être utilisé. Un bloc-piles perd graduellement sa charge s'il n'est pas gardé dans

le chargeur. Un bloc-piles n'étant pas maintenu en mode de tenue de charge devra être rechargé avant son utilisation. Un bloc-piles peut graduellement perdre sa charge s'il est laissé dans un chargeur qui n'est pas enfonché dans une source d'alimentation à courant alternatif appropriée.

Notes importantes concernant le chargement

1. Afin de maximiser la durée de vie du bloc-piles et d'assurer son rendement optimal, le charger à la température ambiante, soit entre 18 et 24 °C (65 et 75 °F). Afin d'éviter d'endommager le bloc-piles, il est important de NE PAS le charger à des températures inférieures à +4,5 °C (+40 °F) ou supérieures à +40,5 °C (105 °F).
2. Le chargeur et le bloc-piles peuvent devenir chauds au toucher lors du chargement. Ceci est normal et n'indique pas la présence d'un problème.
3. Si le bloc-piles ne se charge pas normalement, il faut : (1) vérifier l'alimentation de la prise en y enfichant une lampe ou un appareil, (2) s'assurer que la prise ne soit pas raccordée à un interrupteur qui coupe le courant lorsqu'on éteint les lumières, (3) placer le chargeur et le bloc-piles dans un endroit où la température ambiante est environ 18 à 24 °C (65 et 75 °F) ou, si le problème persiste, (4) retourner l'outil, le bloc-piles et le chargeur au centre de service de sa région.
4. Le bloc-piles doit être rechargé lorsqu'il ne produit pas suffisamment de courant pour permettre à l'utilisateur de travailler normalement. On doit **CESSE**r de l'utiliser dans de telles conditions et suivre la méthode de chargement. On peut aussi charger en tout temps un bloc-piles partiellement déchargé sans nuire à son fonctionnement.
5. Dans certaines conditions, lorsque le chargeur est enfonché, les raccords de charge à nu situés à l'intérieur du chargeur peuvent subir un court-circuit lorsqu'ils entrent en contact avec une matière étrangère. Les matières conductives comme la laine d'acier, la feuille d'aluminium ou les particules métalliques, mais sans toutefois s'y limiter, doivent être tenus à l'écart des cavités du chargeur. Toujours débrancher celui-ci lorsque le bloc-piles n'y est pas inséré ou avant de le nettoyer.

AVERTISSEMENT : ne jamais laisser de liquide s'infiltrer à l'intérieur du chargeur afin d'éviter les risques de choc électrique. Pour faciliter le refroidissement du bloc-piles après son utilisation, éviter de placer ce dernier ou le chargeur dans un environnement chaud comme un cabanon en métal ou une remorque non isolée.

MISE EN GARDE : ne jamais ouvrir le bloc-piles pour quelle que raison que ce soit. Si le compartiment en plastique se rupture ou se fissure, le retourner au centre de service afin qu'il puisse être recyclé.

FIG. 2

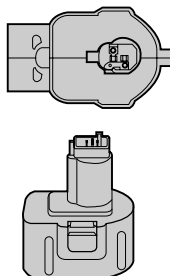
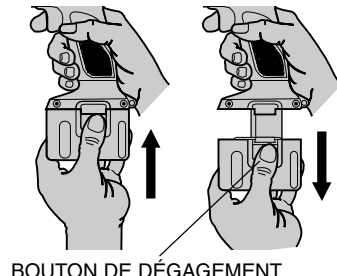


FIG. 3



BOUTON DE DÉGAGEMENT

Interrupteur à régulateur de vitesse

Pour mettre l'outil en marche, enfoncer l'interrupteur à détente; pour le mettre hors circuit, relâcher l'interrupteur à détente. La perceuse-tournevis est dotée d'un frein qui immobilise le mandrin à l'instant où on relâche la détente de l'interrupteur.

La perceuse-tournevis est munie d'un régulateur de vitesse qui permet de choisir la meilleure vitesse pour la tâche à effectuer. Plus on enfonce l'interrupteur à détente, plus l'outil fonctionne rapidement.

Se servir de la basse vitesse pour l'amorçage de trous sans poinçon ainsi que pour percer les métaux, les plastiques et la céramique, pour enfoncer des vis ou pour exécuter toute autre tâche nécessitant un couple élevé. La vitesse élevée convient mieux au perçage du bois et des panneaux d'agglomérés, ainsi qu'à l'utilisation d'accessoires pour le ponçage et le polissage. Afin d'optimiser la durée de l'outil, utiliser le régulateur de vitesse seulement pour commencer des trous ou pour fixer des attaches.

NOTE : Il n'est pas conseillé d'utiliser continuellement le régulateur de vitesse car cela risque d'endommager l'interrupteur.

FIG. 4

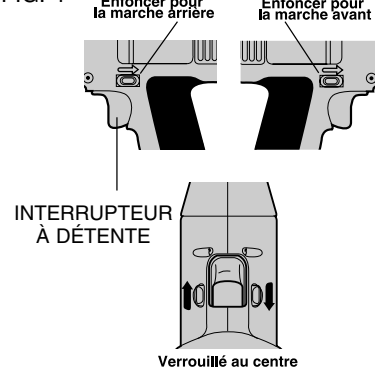
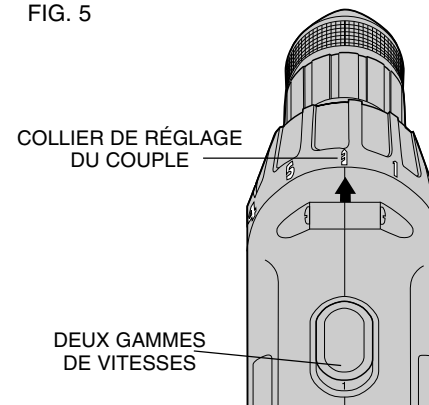


FIG. 5



Inverseur de marche

(Figure 4) L'inverseur de marche permet de choisir le mode de fonctionnement de l'outil et de le verrouiller en position d'arrêt. Pour actionner la marche avant, il faut relâcher l'interrupteur à détente, puis enfoncer l'inverseur vers la droite de l'outil. Pour actionner la marche arrière, il faut relâcher l'interrupteur à détente, puis enfoncer l'inverseur vers la gauche de l'outil. L'outil est verrouillé en position hors circuit lorsque l'inverseur se trouve au centre. Il faut relâcher l'interrupteur à détente avant de modifier la position de l'inverseur de marche. **NOTE** : Lorsqu'on démarre l'outil après en avoir changé le mode de fonctionnement, un déclic peut se faire entendre. Il s'agit d'une situation normale qui ne pose aucun problème.

Collier de réglage du couple

Autour du collier de réglage du couple, on peut voir les chiffres numéros ainsi qu'un symbole de foret. Il faut faire tourner le collier jusqu'à ce que le réglage voulu se trouve sur le dessus de l'outil, comme le montre la figure 5. Il y a des encoches dans le collier afin d'éliminer les jeux de devinette lors du choix du couple de fixation. Plus le chiffre est élevé, plus le couple est élevé. On peut alors enfoncer des attaches de grandes dimensions. Pour verrouiller le mandrin afin d'utiliser l'outil pour percer, choisir le symbole du foret.

Deux gammes de vitesses

Les deux gammes de vitesses de la perceuse-tournevis offrent une grande souplesse d'utilisation. Pour choisir la gamme de basses vitesses à un couple élevé, mettre l'outil hors tension et en attendre l'immobilisation. Pousser le sélecteur vers l'avant (mandrin - position 1), comme le montre la figure 5. Pour choisir la gamme de vitesses élevées à un faible couple, mettre l'outil hors tension et en attendre l'immobilisation. Pousser le sélecteur vers l'arrière.

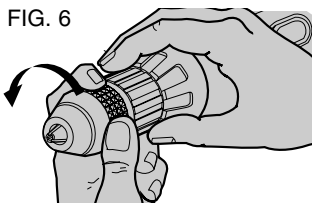
NOTE : Ne pas changer la gamme de vitesses lorsque l'outil fonctionne. Lorsqu'on éprouve de la difficulté à changer la gamme de vitesses, s'assurer que le sélecteur est complètement vers l'avant ou l'arrière.

Mandrin sans clé

L'outil est muni d'un mandrin sans clé pour plus de commodité. Pour y insérer un foret ou tout autre accessoire, faire ce qui suit.

1. Verrouiller l'interrupteur à détente en position d'arrêt de la façon décrite à la page 17.
2. Saisir la moitié arrière du mandrin d'une main et de l'autre, faire tourner la moitié avant dans le sens antihoraire, comme le montre la figure 6. Faire tourner suffisamment pour faire entrer l'accessoire voulu dans le mandrin.
3. Insérer environ 3/4 po (19 mm) du foret ou de l'accessoire dans le mandrin et bien serrer en tenant la moitié arrière du mandrin tout en faisant tourner la moitié avant dans le sens horaire.

FIG. 6



Pour dégager l'accessoire, répéter l'étape 2 précédente.

AVERTISSEMENT : Ne pas essayer de serrer les forets (ou tout autre accessoire) en saisissant l'avant du mandrin et en mettant l'outil en marche car cela présente des risques de dommages au mandrin et de blessures. Toujours verrouiller l'interrupteur en position d'arrêt lors du remplacement des accessoires. Bien serrer le mandrin à l'aide des deux mains aux manchons avant et arrière afin d'en maximiser le serrage.

Mandrin à manchon unique

Certains outils sont dotés d'un mandrin sans clé à manchon unique en plastique afin de permettre à l'utilisateur de manipuler le mandrin d'une seule main. Suivre les étapes suivantes pour l'insérer d'une mèche ou de tout autre accessoire dans le mandrin :

1. Verrouiller l'interrupteur à gâchette en position d'arrêt (fig. 4).
2. Saisir le manchon noir du mandrin avec une main et le faire tourner le manchon vers la gauche jusqu'à ce qu'il s'ouvre suffisamment pour recevoir l'accessoire à insérer.
3. Insérer l'emmanchement de l'accessoire/outil d'environ 19 mm (3/4 po) dans le mandrin; et resserrer celui-ci en tournant le manchon vers la droite.

AVERTISSEMENT : ne pas tenter de serrer la mèche (ou tout autre accessoire) en saisissant la partie avant du mandrin et en mettant l'outil en marche; cela pourrait entraîner l'endommagement du mandrin ou d'entraîner des blessures. Toujours verrouiller l'interrupteur à gâchette en position d'arrêt lorsqu'on change un accessoire.

Lorsqu'on serrer le mandrin, saisir le manchon unique en le tenant d'une main et en tenant la perceuse de l'autre afin d'assurer un serrage optimal.

AVERTISSEMENT : Afin de maîtriser le mouvement de torsion, saisir la perceuse des deux mains.

REMARQUE : ne pas installer un mandrin à manchon unique sur un outil conçu pour un mandrin standard sans clé à deux manchons standard, car les outils dotés d'un mandrin à manchon unique comportent un mécanisme de verrouillage interne qui ne fait pas partie intégrante distinct du mandrin. Par conséquent, un mandrin à manchon unique ne fonctionnera pas correctement sur les outils destinés aux mandrins à deux manchons.

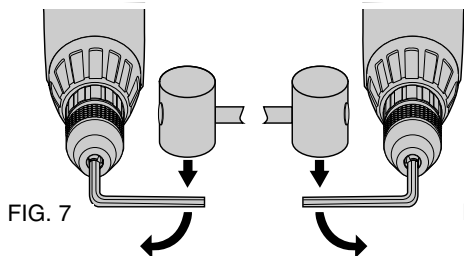


FIG. 7

FIG. 8

Retrait du mandrin

Toujours porter des lunettes de sécurité.

Placer le collier de réglage à la position de perçage et le sélecteur de vitesse à la position 1 (basse vitesse). Serrer le mandrin autour de la courte extrémité d'une clé à six pans (non comprise) d'au moins 1/4 po (6 mm). À l'aide d'un maillet en bois ou d'un objet semblable, frapper l'extrémité la plus longue de la clé dans le sens horaire, de la façon illustrée à la figure 7. On desserre ainsi la vis à l'intérieur du mandrin.

Ouvrir complètement les mâchoires du mandrin, insérer le tournevis (ou l'outil Torx, le cas échéant) à l'avant du mandrin entre les mâchoires de façon à l'engager dans la tête de la vis. Retirer la vis en la faisant tourner dans le sens horaire (filet à gauche). Placer une clé à six pans dans le mandrin et serrer de la façon illustrée à la figure 8. Frapper la clé dans le sens antihoraire à l'aide d'un maillet en bois ou d'un objet semblable. On desserre ainsi le mandrin de façon à pouvoir le dévisser à la main.

Installation du mandrin

Visser à fond le mandrin à la main et y insérer la vis (filet à gauche). Bien serrer la vis. Visser le mandrin autour de la courte extrémité d'une clé à six pans d'au moins 1/4 po (6 mm) (non fournie) et frapper la longue extrémité de la clé dans le sens horaire, de la façon illustrée à la figure 7. Serrer la vis encore une fois en la faisant tourner dans le sens antihoraire.

Fonctionnement de la perceuse

Faire tourner le collier jusqu'au symbole du foret. Installer et serrer le foret voulu dans le mandrin. Choisir la gamme de vitesses et le couple voulus à l'aide du sélecteur de la gamme de vitesses selon la vitesse et le couple nécessaires à l'exécution des travaux prévus. Se conformer aux directives suivantes afin d'optimiser les résultats lors du perçage.

PERÇAGE

1. N'utiliser que des forets bien affûtés. Pour le BOIS : forets hélicoïdaux, à langue d'aspic, de tarière ou des emporte-pièce; pour le MÉTAL : forets hélicoïdaux en acier de coupe rapide ou des emporte-pièce; pour la MAÇONNERIE (brique, ciment, béton, etc.) : forets au carbure.
2. Veiller à ce que la pièce à percer soit solidement retenue ou fixée en place. Afin d'éviter les avaries aux matériaux minces, les adosser à un bloc de bois épais.
3. Toujours exercer la pression en ligne directe avec le foret. N'user que de la force qu'il faut pour que le foret continue de percer; éviter de trop forcer, car cela pourrait faire caler le moteur ou dévier le foret.
4. Saisir fermement la perceuse afin de contrer l'effet de torsion de l'outil en marche.(fig. A)
5. LA PERCEUSE S'ÉTOUFFE habituellement lorsqu'elle est surchargée ou utilisée de façon inappropriée. RELÂCHER IMMÉDIATEMENT L'INTERRUPTEUR À DÉTENTE, retirer le foret du matériau et déterminer la cause de l'étouffement. ÉVITER DE METTRE L'OUTIL EN MARCHÉ ET HORS CIRCUIT À L'AIDE DE L'INTERRUPTEUR À DÉTENTE DANS LE BUT DE FAIRE DÉMARRER LA PERCEUSE BLOQUÉE, CAR CELA POURRAIT L'ENDOMMAGER.
6. Afin de minimiser l'étouffement du moteur ou le défoncement de la pièce, réduire la pression et faire avancer le foret plus doucement vers la fin de sa course.
7. Laisser le moteur en marche lorsqu'on retire le foret d'un trou afin d'éviter qu'il se coince.
8. Il n'est pas nécessaire de pratiquer un creux de guidage avec une perceuse à régulateur de vitesse. Utiliser plutôt la basse vitesse pour commencer le trou, puis accélérer en enfonçant plus profondément l'interrupteur à détente lorsque le foret est suffisamment inséré dans la pièce.

Fonctionnement de la perceuse à percussion

Pour utiliser le mode de perçage à percussion de l'outil, faire tourner le collier de façon à aligner le symbole du marteau sur la flèche illustrée à la figure 5. Le mode de perçage à percussion sert pour travailler dans du béton et de la maçonnerie (comme de la brique, du mortier et de la céramique).

1. Lors du perçage, exercer la force suffisante sur l'outil pour l'empêcher de rebondir et de faire sortir le foret. On ralentit le taux de perçage et on occasionne la surchauffe de l'outil en y exerçant une pression excessive.
2. Percer en ligne droite, en maintenant le foret à un angle droit de la surface de travail. Ne pas exercer de pression latérale sur le foret lors des travaux au risque d'en bloquer les goujures et de ralentir le travail.
3. Lors du perçage de trous profonds, si la vitesse de l'outil commence à diminuer, sortir une partie du foret du trou lorsque l'outil est en marche afin de dégager le trou de tout débris.
4. Ne pas verser d'eau dans le trou pour atténuer l'émanation de poussière. En effet, l'eau bloquerait alors les goujures du foret ce qui coincerait le foret dans le trou.

Perçage dans le bois

Les forets hélicoïdaux à métal peuvent servir à percer le bois, mais il faut les retirer souvent du trou pour chasser les copeaux et rognures des goujures afin d'éviter la surchauffe. Pour percer de gros trous, utiliser les forets à bois pour basses vitesses. Adosser les matériaux friables à un bloc de bois quelconque.

Perçage dans le métal

Utiliser de l'huile de coupe pour percer les métaux, sauf la fonte et le laiton qui se percent à sec. Les huiles de coupe les plus efficaces sont l'huile sulfurisée ou l'huile de lard; la graisse de bacon est parfois suffisante.

Perçage dans la maçonnerie

Utiliser des forets au carbure à basses vitesses. Exercer une pression constante, sans forcer afin d'éviter de casser les matériaux friables. Une production uniforme de poussière à débit moyen indique un perçage convenable.

Fonctionnement du tournevis

Choisir la gamme de vitesses et le couple voulus à l'aide du sélecteur de la gamme de vitesses selon la vitesse et le couple nécessaires à l'exécution des travaux prévus. Insérer l'accessoire voulu dans le mandrin de la même façon qu'un foret. Faire quelques essais dans une pièce de rebut ou à un endroit caché afin de déterminer la position appropriée du collier d'embrayage.

Entretien

NETTOYAGE : Enlever la poussière et les saletés de tous les orifices de l'outil au moins chaque semaine en y soufflant de l'air sec lorsque le moteur tourne. Porter des lunettes de sécurité pendant ces travaux. Nettoyer les pièces extérieures en plastique à l'aide d'un savon doux et d'un linge humide. Même si les composants de l'outils résistent bien aux solvants, NE JAMAIS utiliser de solvants.

NETTOYAGE DU CHARGEUR

AVERTISSEMENT : Débrancher le chargeur de la prise de courant alternatif avant de le nettoyer.

On peut enlever la poussière et la graisse qui se trouve à l'extérieur du chargeur à l'aide d'un chiffon ou d'une brosse douce à poils non-métalliques. Ne pas se servir d'eau ni de liquides nettoyants.

Accessoires

On peut se procurer en sus les accessoires recommandés pour l'outil chez les détaillants ou aux centres de service autorisés. Pour trouver un accessoire pour l'outil, communiquer à l'adresse suivante. DEWALT Industrial Tool Co., 701 East Joppa Road, Baltimore, MD 21286, 1-800 4 DEWALT

MISE EN GARDE : L'utilisation de tout autre accessoire non recommandé pour l'outil peut être dangereuse.

Capacité maximale recommandée

	Basses vitesses - 1	Vitesses élevées - 2
FORETS À MÉTAL	10 mm (3/8 po)	6 mm (1/4 po)
FORETS À BOIS	25 mm (1 po)	16 mm (5/8 po)
EMPORTE-PIÈCES	25 mm (1 po)	19 mm (3/4 po)

Réparations

Pour assurer la SÉCURITÉ D'EMPLOI et la FIABILITÉ de l'outil, n'en confier la réparation, l'entretien et les ajustements (y compris l'inspection et le remplacement des balais) qu'au personnel d'un centre de service DEWALT ou d'un atelier d'entretien autorisé n'utilisant que des pièces de rechange identiques.

Garantie complète

Les outils industriels de service intensif DEWALT sont garantis pendant un an à partir de la date d'achat. Toute pièce d'un outil DEWALT qui s'avérerait défectueuse en raison d'un vice de matière ou de fabrication sera réparée ou remplacée sans frais. Pour obtenir de plus amples renseignements sur les réparations couvertes par la garantie, composer le 1 (800) 4-DEWALT (! (800) 433-9258). La garantie ne couvre pas les accessoires ni les réparations tentées ou effectuées par des tiers. Les modalités de la présente garantie donnent des droits légaux spécifiques. L'utilisateur peut également se prévaloir d'autres droits selon l'état ou la province qu'il habite.

En outre, la garantie suivante couvre les outils DEWALT.

GARANTIE DE SATISFACTION DE 30 JOURS OU ARGENT REMIS

Si, pour quelque raison que ce soit, l'outil industriel de service intensif DEWALT ne donne pas entière satisfaction, il suffit de le retourner chez le marchand participant dans les 30 jours suivant la date d'achat afin d'obtenir un remboursement complet. Il faut retourner, port payé, l'outil complet. On peut exiger une preuve d'achat.

REMPACEMENT GRATUIT DE L'ÉTIQUETTE : Si vos étiquettes d'avertissement deviennent illisibles ou sont manquantes, composez le 1-800-4-DEWALT pour obtenir une étiquette de remplacement gratuite.

Reglas generales de seguridad - Paratodas las herramientas operadas con baterías

⚠ ¡ADVERTENCIA! Lea y comprenda todas las instrucciones. No hacerlo puede originar riesgos de choque eléctrico, incendio y lesiones personales de gravedad.

CONSERVE ESTAS INSTRUCCIONES

AREA DE TRABAJO

- **Conserve su área de trabajo limpia y bien iluminada.** Las bancas amontonadas y las zonas oscuras propician los accidentes.
- **No opere herramientas eléctricas en atmósferas explosivas, como en presencia de líquidos, gases o polvos inflamables.** Las herramientas eléctricas producen chispas que pueden originar la ignición de los polvos o los vapores.
- **Conserve a observadores, niños y visitantes alejados mientras opera una herramienta eléctrica.** Las distracciones pueden ocasionar que pierda el control.

SEGURIDAD ELECTRICA

- **No maltrate el cable. Nunca tome el cable para transportar una herramienta ni para desconectarla de la toma de corriente.** Consérvelo alejado de calor aceite, bordes afilados o piezas móviles. Cambie inmediatamente los cables dañados. Los cables dañados aumentan el riesgo de choque eléctrico.
- **Una herramienta operada con baterías integradas o por separado debe recargarse solamente con el cargador especificado para esa batería.** Un cargador adecuado para un tipo de batería puede originar riesgos de incendio cuando se utiliza con otro tipo de baterías.
- **Utilice su herramienta a baterías solamente con la batería específicamente diseñada para ella.** El uso de otro tipo de baterías puede originar riesgos de incendio.

SEGURIDAD PERSONAL

- **Esté alerta concéntrese en lo que está haciendo.** Recurra al sentido común cuando opere una herramienta eléctrica. No opere ninguna herramienta si se encuentra fatigado o bajo la influencia de drogas, alcohol o medicamentos. Un momento de desatención mientras se operan herramientas eléctricas puede ocasionar lesiones graves.
- **Vístase de manera adecuada. No tenga puestas ropas o artículos de joyería flojos.** Cubra su cabello si lo tiene largo. Conserve su cabello, sus ropas y guantes alejados de las piezas móviles. Las piezas de vestir flojas, las joyas y el cabello largo pueden resultar atrapados por las piezas móviles. Las rejillas de ventilación cubren partes móviles y también deben evitarse.
- **Evite el encendido accidental.** Asegúrese que el interruptor esté en posición de seguro o apagado antes de instalar la batería. Transportar herramientas con el dedo en el interruptor o instalar la batería en una herramienta con el interruptor en posición de encendido propicia los accidentes.
- **Retire las llaves de ajuste antes de encender la herramienta.** Una llave que se deja en una pieza giratoria puede ocasionar lesiones personales.
- **No se sobreextienda.** Conserve siempre los pies bien apoyados, al igual que el equilibrio. La posición correcta de los pies y el equilibrio permiten controlar mejor la herramienta en situaciones inesperadas.
- **Utilice equipo de seguridad.** Siempre utilice protección en los ojos. Se deben utilizar mascarillas contra polvo, zapatos antiderrapantes, casco o protectores para los oídos para tener las condiciones apropiadas.

USO Y CUIDADOS DE LA HERRAMIENTA

- **Conserve los mangos secos, limpios y libres de aceite y grasa.** Es recomendable utilizar guantes de goma, esto le permitirá controlar mejor la herramienta.
- **Utilice prensas u otros medios prácticos para asegurar y apoyar la pieza de trabajo en una plataforma estable.** Sujetar las piezas con la mano o contra su cuerpo es inestable y puede originar la pérdida de control.

- **No utilice la herramienta si el interruptor no enciende y apaga.** Cualquier herramienta que no pueda controlarse por medio del interruptores peligrosa y debe reemplazarse.
- **Desconecte la batería de la herramienta o coloque el interruptor en la posición de seguro o apagado antes de hacer cualquier ajuste, cambiar accesorios o guardar la herramienta.** Esta medida preventiva reduce el riesgo de encender la herramienta accidentalmente.
- **Guarde las herramientas fuera del alcance de los niños y de otras personas no capacitadas.** Las herramientas son peligrosas en manos de personas no capacitadas.
- **Cuando no utilice la batería, consérvela alejada de otros objetos metálicos como: clips, monedas, clavos, tornillos y otros pequeños objetos metálicos que puedan hacer conexión entre una terminal y la otra.** Hacer corto entre las terminales de la batería puede originar chispas, quemaduras o incendios.
- **Cuide sus herramientas.** Conserve las herramientas de corte afiladas y limpias. Las herramientas que reciben un mantenimiento adecuado, con piezas de corte afiladas, difícilmente se atascan y son más fáciles de controlar.
- **Verifique la alineación de las piezas móviles, busque fracturas en las piezas y cualesquiera otras condiciones que puedan afectar la operación de las herramientas.** Si está dañada, lleve su herramienta a servicio antes de usarla de nuevo. Muchos accidentes se deben a herramientas con mantenimiento pobre.
- **Solamente use accesorios que el fabricante recomiende para su modelo de herramienta.** Los accesorios que estén diseñados para una herramienta, pueden volverse peligrosos cuando se emplean con otra.

SERVICIO

- **El servicio a las herramientas lo debe efectuar únicamente personal calificado.** El servicio o mantenimiento realizado por personal no calificado puede originar riesgos de lesiones.
- **Cuando efectúe servicio a una herramienta, utilice únicamente refacciones idénticas.** Siga las instrucciones de la sección de Mantenimiento de este manual. El empleo de piezas no autorizadas o no seguir las instrucciones de mantenimiento puede originar riesgos de choque eléctrico o lesiones.

Reglas adicionales de seguridad

- **Sujétela solamente por las superficies aislantes para evitar el choque eléctrico si corta un cable vivo.** Cuando corte en muros, pisos o dondequiera que pueda encontrarse con cables eléctricos vivos, ¡NO TOQUE NINGUNA PARTE METALICA DE LA HERRAMIENTA!

⚠ **PRECAUCIÓN:** Algunas herramientas con los paquetes grandes de la batería estarán paradas verticales en el paquete de la batería pero se pueden golpear fácilmente encima. Cuando no en uso, coloque la herramienta en su cara en una superficie estable donde no causará un peligro que dispare o descendente.

⚠ **PRECAUCION:** utilice la protección auditiva apropiada durante el uso. Bajo ciertas condiciones de duración de uso, el ruido producido por este producto puede contribuir a la pérdida auditiva.

⚠ **ADVERTENCIA :** Parte del polvo creado al lijar, aserruchar, moler o perforar con máquina, así como al realizar otras actividades de la construcción, contiene sustancias químicas que se sabe producen cáncer, defectos congénitos u otras afecciones reproductivas. Algunos ejemplos de esas sustancias químicas son:

- plomo de pinturas a base de plomo,
- sílice cristalizado de ladrillos y cemento y otros productos de albañilería, y
- arsénico y cromo de la madera químicamente tratada (CCA).

El riesgo al contacto con estas sustancias varía, según la frecuencia en que se haga este tipo de trabajo. Para reducir la exposición a esas sustancias químicas: trabaje en un área

bien ventilada, y trabaje con equipos de seguridad aprobados, tales como máscaras contra el polvo especialmente diseñadas para filtrar las partículas microscópicas.

- **Evite el contacto prolongado con polvos originados por lijar, aserrar, esmerilar, taladrar y otras actividades constructivas.** Vista ropas protectoras y lave las áreas expuestas con agua y jabón. Permitir que el polvo se introduzca en su boca, ojos, o dejarlo sobre la piel promueve la absorción de químicos dañinos.

- La etiqueta de su herramienta puede incluir los siguientes símbolos.

V	volts	A	amperes
Hz	hertz	W.....	watts
.../min	...minutos	~	corriente alterna
====corriente directa	n _o	velocidad sin carga
□	construcción Clase II	/min	revoluciones o reciprocaciones por minuto
⊕	terminales de conexión a tierra	⚠	símbolo de advertencia de seguridad

Baterías

Su herramienta utiliza una batería DEWALT de 9,6 Volts, de 12,0 Volts, o de 14,4 Volts. Cuando ordene baterías de repuesto, asegúrese de incluir el número de catálogo y el voltaje.

Las baterías de alta capacidad de larga duración, ofrecen mayor tiempo de operación que las baterías estándar. **NOTA:** Su herramienta funciona con baterías estándar o también con baterías de duración prolongada, sin embargo, asegúrese de seleccionar el voltaje adecuado.

NOTA: los capuchones para transporte y almacenaje de las baterías se proporcionan para usarse siempre que la batería esté fuera de la herramienta o del cargador. Retire el capuchón antes de colocar la batería en la herramienta o en el cargador.

⚠ ADVERTENCIA: No guarde o transporte la batería de manera que objetos metálicos puedan hacer contacto con las terminales expuestas de la batería. Por ejemplo, no ponga la batería en delantales, bolsillos, cajas de herramientas, estuches de productos, cajones, etc. junto con clavos, tornillos, llaves, etc. sin el capuchón. La batería puede hacer corto cuando no tenga puesto el capuchón, ocasionando incendios o quemaduras, o daños a sí misma.



El sello RBRC™

El sello RBRC™ en las baterías de níquel-cadmio indica que DEWALT participa voluntariamente en un programa industrial para recolectar y reciclar estas baterías al término de su vida útil, cuando se retiran de servicio dentro de los Estados Unidos. El programa RBRC™ proporciona una conveniente alternativa para el depósito en los lotes de basura municipales de las baterías de níquel-cadmio desgastadas, hecho que es ilegal en algunas regiones.



Los pagos de DEWALT a RBRC™ hacen más sencillo para usted deshacerse de sus baterías desgastadas con los distribuidores de baterías de níquel-cadmio de su localidad, o en los centros de servicio autorizado DEWALT. También puede comunicarse al centro de reciclaje de su localidad para que le informen de los lugares a los que puede regresar las baterías desgastadas. La entrada de DEWALT a este programa es parte de su compromiso para proteger nuestro medio ambiente y conservar los recursos naturales.

RBRC™ es una marca registrada de Rechargeable Battery Recycling Corporation.

Procedimiento de Carga

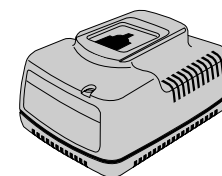
CARGADORES DE 1 HORA

1. Conecte el cargador a una toma de corriente alterna adecuada.

CARGADOR DE 15 MINUTOS



FIG. 1



CARGADOR DE 1 HORA

2. Introduzca la batería en el cargador, como se ilustra en la figura 1, asegurándose de que la batería haya asentado bien en el cargador. La luz roja (de carga) parpadeará indicando que el proceso de carga ha comenzado.
3. La batería quedará completamente cargada en aproximadamente 1 hora. La luz roja quedará ENCENDIDA de forma continua, indicando que el proceso de carga ha terminado. La batería ha quedado completamente cargada y podrá ser utilizada en ese momento o podrá dejarse en el cargador.

LINEA DE ALIMENTACION PROBLEMÁTICA: Si su cargador cuenta con un Indicador de fallas en la línea de energía eléctrica: Cuando estos cargadores se utilizan con fuentes de poder portátiles tales como generadores, o plantas que convierten corriente continua en corriente alterna, el cargador puede suspender su funcionamiento temporalmente, encendiendo la luz roja dos veces de manera intermitente, seguidas de una pausa. Esto indica que la alimentación de corriente está más allá de sus límites.

RETARDADOR PARA BATERIAS CALIENTES: Si su cargador cuenta con el Retardador para baterías calientes, éste detecta cuándo una batería está caliente y se coloca en Modo de retardo de carga, suspendiendo así la carga hasta que la batería se haya enfriado. Una vez enfriada la batería, el cargador pasará automáticamente al Modo de carga de batería. Este dispositivo asegura la máxima duración a su batería. La luz roja parpadea a intervalos largos y lo hace a intervalos cortos cuando está en el Modo de retardo de carga.

CARGADORES DE 15 MINUTOS

1. Conecte el cargador a una toma de corriente alterna adecuada. El cargador emitirá un sonido dos veces, enseguida la luz roja parpadeará y luego se apagará.
2. Introduzca la batería en el cargador, tal como se ilustra en la figura 1, asegurándose de que la batería se encuentre bien asentada en el cargador. La luz roja parpadeará y el cargador emitirá un sonido indicando que el proceso de carga ha comenzado.
3. Normalmente, la batería quedará completamente cargada en menos de 15 minutos. Una vez que la batería se encuentre cargada, la luz roja quedará ENCENDIDA en forma continua y se escucharán tres sonidos. La batería ha quedado completamente cargada y podrá ser utilizada en ese momento o podrá dejarse en el cargador.

BATERÍAS DÉBILES: El cargador de 15 minutos también puede detectar cuándo una batería se encuentra débil. Tales baterías se pueden emplear pero no debe esperarse de ellas un alto rendimiento. En tales casos, aproximadamente 10 segundos después de haber insertado la batería en el cargador, éste emitirá 8 sonidos intermitentes rápidamente, para indicar el estado débil de la batería. Después, el cargador continuará con la recarga de la batería hasta la máxima capacidad posible.

PARA TODOS LOS CARGADORES

Dejar la batería en el cargador: Cuando la luz roja permanece encendida significa que el cargador ha pasado al modo de "nivelado de carga", el cual dura aproximadamente 4 horas, al final de las cuales cambiará al modo de "mantenimiento de carga". La batería puede ser retirada del cargador en cualquier momento durante estos ciclos de carga; su carga será total tan sólo si la luz roja se encuentra ENCENDIDA permanentemente. El cargador y la batería pueden dejarse conectados indefinidamente mientras la luz roja esté

encendida. El cargador mantendrá la batería completamente cargada. La batería perderá su carga lentamente después de ser retirada del cargador. Si la batería no se ha dejado en carga de mantenimiento, puede necesitar ser recargada antes de utilizarse nuevamente. La batería también puede perder lentamente la carga si se deja en un cargador que no esté conectado a una toma de corriente alterna apropiada.

INDICADORES DE PROBLEMAS: Estos cargadores han sido diseñados para detectar ciertos problemas que pueden surgir con las baterías, los cuales serán indicados por una luz roja que se enciende de manera intermitente a gran velocidad (y, en el caso de Cargadores de 15 minutos, por un sonido continuo). Si esto ocurre, coloque nuevamente la batería en el cargador. Si el problema persiste, pruebe con otra batería para determinar si el cargador está en buen estado. Si la segunda batería carga correctamente, esto significa que la primera se encuentra defectuosa y que debe llevarla a un Centro de servicio para su reciclaje. Si la segunda batería hace que el cargador indique el mismo problema que la primera, lleve el cargador a un Centro de servicio autorizado para su verificación.

Notas importantes acerca de la carga

1. Para obtener un mayor rendimiento y una mayor vida útil de su batería, cárguela cuando la temperatura oscile entre 18° y 24°C (65° y 75°F). NO cargue la batería cuando la temperatura es inferior a 4.5°C (40°F), o superior a 40.5°C (105°F). Esto es muy importante y le evitará serios daños a la batería.
2. El cargador y la batería pueden sentirse calientes al tacto durante la carga. Esto es una condición normal y no indica ningún problema.
3. Si la batería no carga apropiadamente - (1) Verifique la corriente en la toma conectando una lámpara u otro aparato eléctrico. (2) Verifique si la toma está conectada a un interruptor que corte la corriente cuando apaga las luces. (3) Lleve el cargador con la batería a un lugar en donde la temperatura del aire esté entre 18° y 24°C (65° y 75°F). (4) Si los problemas de carga persisten, lleve o envíe la herramienta, la batería y el cargador a su Centro de servicio local.
4. La batería debe recargarse cuando deja de producir suficiente potencia en trabajos que se hicieron fácilmente con anterioridad. NO CONTINÚE utilizándola en estas condiciones. Siga los procedimientos de carga. Usted puede cargar una batería parcialmente usada cuando lo desee sin que ésta sufra efectos adversos.
5. Bajo ciertas condiciones, con el cargador conectado a la toma de corriente, los contactos de carga expuestos dentro del cargador pueden hacer contacto entre sí debido a algún material externo. Los materiales externos de naturaleza conductora tales como, pero sin limitarse a ellos, el alambre de acero, el papel aluminio o cualquier tipo de partícula metálica, deben conservarse alejados de las cavidades del cargador. Desconecte el cargador siempre que no se encuentre una batería en su receptáculo. Desconecte siempre el cargador de la toma de corriente antes de limpiarlo.

⚠ **ADVERTENCIA:** No permita que ningún líquido se introduzca en el cargador. Esto puede originar una descarga eléctrica. Para facilitar el enfriamiento de la batería después de su utilización, evite colocar el cargador o la batería en un lugar caliente, tales como un galpón metálico o un remolque sin aislamiento térmico.

⚠ **ADVERTENCIA:** Nunca intente abrir la batería por ninguna razón. Si el recubrimiento plástico de la batería se rompe o se quiebra, llévela a un Centro de servicio para su reciclaje.

FIG. 2

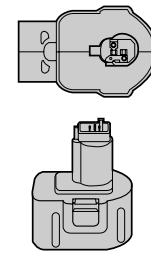
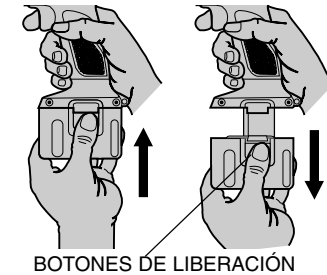


FIG. 3

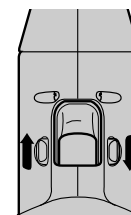
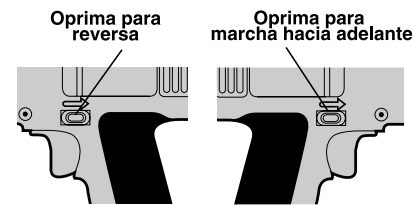


Interruptor de velocidad variable

Para ENCENDER la herramienta, oprima el gatillo interruptor. Para APAGARLA suelte el gatillo. Su Taladro/Destornillador está equipado con un freno. El portabrocas se detendrá tan pronto como haya soltado el gatillo por completo. Su Taladro/Destornillador está equipado con un interruptor de velocidad variable que le permite escoger la mejor velocidad para una aplicación particular. Mientras más a fondo oprima el gatillo, a mayor velocidad funcionará la herramienta. Utilice velocidades bajas para iniciar barrenos sin marca de centro, perforar metales o plásticos, atornillar y perforar cerámica, o para cualquier aplicación que requiera de un alto par (torque). Las velocidades altas se recomiendan para barrenar madera, madera comprimida y para utilizar accesorios abrasivos y de pulido. Para prolongar la vida de la herramienta, utilice la velocidad variable sólo para iniciar los barrenos o la conducción de tornillos.

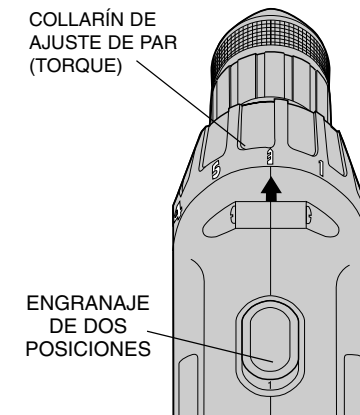
NOTA: No se recomienda el uso continuo en velocidad variable, ya que puede dañar el interruptor.

FIG. 4



Posición central:
Asegurado en apagado

FIG. 5



Botón de control de marcha adelante/reversa

(Figura 4) Un botón de control de marcha determina la dirección de la herramienta y funciona también como botón de trabado. Para seleccionar la rotación hacia adelante, suelte el gatillo interruptor y oprima el botón de control del lado derecho de la herramienta.

Para seleccionar reversa, oprima el botón de control del lado izquierdo de la herramienta. La posición central del botón de control asegura la herramienta en la posición de APAGADO. Cuando cambie la posición del botón de control, asegúrese que el gatillo interruptor se encuentra liberado.

NOTA: La primera vez que encienda la herramienta después de cambiar la dirección de rotación, puede escuchar un “clic” al arrancar. Esto es normal y no indica ningún problema.

Collarín de ajuste de par (torque)

El collarín de ajuste de par está claramente marcado con números y un símbolo de broca. El collarín debe girarse hasta que la posición deseada quede en la parte superior de la herramienta, como se muestra en la figura 5. El collarín está marcado para evitar las adivinanzas al momento de seleccionar un par para atornillar.

Mientras más alto sea el número del collarín, mayor será el par y más grandes serán los tornillos que pueda colocar. Para trabar el embrague para operaciones en el modo de taladro, mueva el collarín hasta la posición en que se encuentra el símbolo de la broca.

Engranaje de dos posiciones

El mecanismo de dos posiciones de su Taladro/Destornillador le permite cambiar de engrane para añadirle versatilidad.

Para seleccionar la velocidad baja, con alto par, apague la herramienta y permita que se detenga. Deslice la palanca de cambio de engranes hacia el portabrocas (posición 1), como se observa en la figura 5.

Para seleccionar la velocidad alta, de bajo par, apague la herramienta y permita que se detenga. Deslice la palanca de cambios hacia atrás (en dirección contraria al portabrocas).

Nota: No cambie de engranes con la unidad en funcionamiento.

Si tiene problemas para cambiar de engrane, asegúrese que la palanca de cambios esté completamente hacia adelante o hacia atrás.

Portabrocas (broquero) sin necesidad de llave

Su taladro cuenta con un portabrocas sin llave para comodidad de usted. Para instalar una broca o cualquier accesorio, siga los pasos enlistados a continuación.

1. Deslice el interruptor de reversa hasta la posición neutral.
2. Sujete la mitad trasera del portabrocas con una mano y use la otra mano para girar la otra mitad en contra del sentido de las manecillas del reloj, como se observa en la figura 6. Continúe girando el portabrocas hasta que se abra lo suficiente para recibir el accesorio deseado.
3. Introduzca la broca o el accesorio aproximadamente 19 mm (3/4"). Apriete el portabrocas firmemente tomando la mitad trasera con una mano y girando la parte frontal en el sentido de las manecillas del reloj con la otra mano.

⚠ ADVERTENCIA: No intente apretar las brocas o cualquier otro accesorio sujetando la mitad frontal del portabrocas y ENCENDIENDO el taladro. Esto puede ocasionar daños en el portabrocas y lesiones personales. Deslice siempre el interruptor de reversa hacia la posición neutral antes de cambiar accesorios.

Asegúrese de apretar el portabrocas con las dos manos, en ambas partes, la trasera y la delantera para máxima seguridad.

Broqueros de mango sencillo

Algunas herramientas incluyen un portabrocas sin llave con un mango en plástico que permite la utilización del broquero con una sola mano. Para insertar una broca u otro accesorio, siga los pasos descritos a continuación.

1. Asegure el gatillo en la posición OFF (Fig. 4)
2. Tome con una mano el mango negro del broquero y gírelo en el sentido opuesto al de las manecillas del reloj, hasta que se abra suficientemente de manera que permita la introducción del accesorio que usted va a utilizar.
3. Inserte el vástago de la herramienta unos 5/16" (18 mm) y apriete el broquero, girando para ello el mango en el sentido de las manecillas del reloj.

⚠ ADVERTENCIA: No intente apretar las brocas (u otros accesorios) agarrando la parte frontal del broquero mientras que enciende la herramienta. Esta operación puede provocar lesiones corporales y causar daños al broquero. Asegúrese de colocar el gatillo en la posición “OFF” antes de cambiar los accesorios.

Asegúrese de apretar el broquero tomando con una mano el mango del mismo y con la otra sujetando firmemente el taladro, para lograr un máximo ajuste.

NOTA: No instale un broquero de mango sencillo en una herramienta con broquero sin llave, de dos mangos estándar. Las herramientas concebidas originalmente con un broquero de mango sencillo poseen un mecanismo interno de cierre que no hace parte del broquero. Por consiguiente, el broquero de mango sencillo no funcionará adecuadamente en herramientas originalmente concebidas con broqueros de dos mangos.

Cambio del Portabrocas (broquero)

Siempre utilice protección para los ojos.

Gire el collarín de ajuste a la posición de taladro y deslice la palanca de cambio de engranes a la posición

1. Apriete el portabrocas alrededor de una llave hexagonal FIG. 6 (no provista con la unidad) de 6 mm (1/4") o mayor. Utilizando un martillo de madera o un objeto similar, golpee con firmeza el extremo largo de la llave en el sentido de las manecillas del reloj, como se observa en la figura 7. Esto aflojará el tornillo que se encuentra en el interior del portabrocas. Abra completamente las mordazas en introduzca la punta de un destornillador por el frente del portabrocas entre las mordazas hasta alcanzar la cabeza del tornillo. Afloje en el sentido de las manecillas del reloj, (cuerda izquierda) y remueva el tornillo. Coloque de nuevo la llave hexagonal en el portabrocas y reapriete con firmeza. Utilizando un martillo de madera u otro objeto similar, de un golpe seco a la llave en contra del sentido de las manecillas del reloj, como muestra la figura 8. Este procedimiento aflojará el portabrocas para que pueda retirarlo a mano.

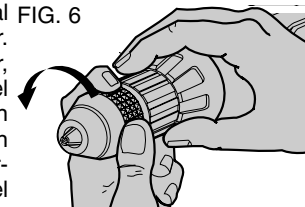


FIG. 7

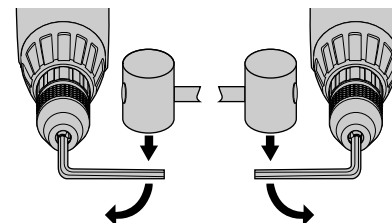


FIG. 8

Instalación del Portabrocas (broquero)

Atornille a mano el portabrocas tanto como le sea posible e instale el tornillo dentro del portabrocas y apriételo con firmeza (en contra del sentido de las manecillas del reloj, cuerda izquierda). Apriete el portabrocas alrededor del extremo corto de una llave hexagonal de 6 mm (1/4") o mayor (no suministrada). Utilizando un martillo de madera u otro objeto similar, de un golpe seco al extremo largo de la llave hexagonal en el sentido de las manecillas del reloj, como se observa en la figura 7. Apriete de nuevo el tornillo girándolo en contra del sentido de las manecillas del reloj.

Operación como taladro

Gire el collarín hasta el símbolo de la broca. Instale y apriete la broca deseada en el portabrocas. Escoja velocidad/par deseados para la operación que vaya a efectuar utilizando la palanca de cambio de engranes. Siga estas instrucciones para obtener mejores resultados cuando taladre.

TALADRADO

1. Utilice exclusivamente brocas afiladas. Para MADERA utilice brocas helicoidales, brocas de horquilla, brocas de poder o brocas sierra. Para METAL utilice brocas helicoidales de alta velocidad. Para MAMPOSTERÍA utilice brocas con punta de carburo de tungsteno.

- Asegúrese que el material que va a barrenar esté firmemente anclado o asegurado. Si va a perforar material delgado, utilice un bloque de madera como “respaldo” para evitar dañar la pieza.
- Aplique presión al taladro en línea recta con la broca. Haga suficiente presión para que la broca siga perforando pero no tanta para que el motor se atasque o la broca se desvíe.
- Sujete el taladro firmemente para controlar la fuerza de torsión de la broca.
- SI EL TALADRO SE ATASCA, esto se deberá probablemente a que está sobrecargado. SUELTE EL GATILLO DE INMEDIATO y determine la causa del atascamiento. NO APRIETE EL GATILLO PARA ENCENDER LA UNIDAD PARA LIBERAR LA BROCA ESTO PUEDE DAÑAR LA HERRAMIENTA.
- Para reducir el peligro de que se atasque el taladro, reduzca la presión y deje ir suavemente la broca hacia la parte final del barreno.
- Conserve el motor trabajando al retirar la broca del interior del barreno, de esta manera evitará que se atasque.
- Con los taladros de velocidad variable puede empezar a barrenar sin hacer marca de centro, si así lo desea; únicamente comience a barrenar lentamente, utilizando poca presión, hasta que el barreno producido evite que la broca se salga de él. Suba a velocidad máxima cuando la broca haya entrado.

Operación como rotomartillo

Para utilizar el modo de percusión de su herramienta, gire el collarín para alinear el símbolo del martillo con la flecha ilustrada en la figura 6. La posición de rotomartillo sirve para barrenar en concreto simple y en piezas de mampostería, tales como ladrillo, mortero y cerámica suave.

- Cuando taladre, utilice la fuerza suficiente en el rotomartillo para evitar que “rebote” excesivamente o que la broca se salga. Demasiada fuerza hará que el taladro reduzca su velocidad, perforo menos y se sobrecaliente.
- Perfore en línea recta, conservando la broca en ángulo recto con la pieza de trabajo. No aplique fuerza lateral a la broca cuando barrene, ya que esto causará que los filos de la broca se atasquen y reducirá la velocidad del taladro.
- Si el taladro disminuye su velocidad cuando haga barrenos más profundos, saque la broca del barreno parcialmente con la herramienta en funcionamiento para ayudar a sacar los desechos del barreno.
- No vacíe agua en el barreno para asentar el polvo. El agua causará que los filos de la broca se atasquen, lo que a su vez provocará que

Taladrado en madera

Los barrenos en madera pueden hacerse con las mismas brocas que se utilizan para metal. Para evitar que se sobrecalienten, deben sacarse con frecuencia del barreno para quitar las virutas de las estrías. Para hacer perforaciones más grandes, utilice brocas para madera de baja velocidad. El material que pudiera astillarse debe ser protegido con un respaldo de madera.

Taladrado en metales

Utilice un lubricante para corte cuando perfore metales. Las excepciones son hierro fundido y latón, en los que se deberá taladrar en seco. Los lubricantes para corte más adecuados son los de aceite sulfúrico y la manteca de cerdo.

Taladrado en mampostería

Use brocas con punta de carburo de tungsteno a bajas velocidades. Conserve uniforme la presión sobre el taladro, pero no al grado que se despostillen los materiales. La salida continua de polvo indica que se está aplicando la velocidad apropiada.

Operación como destornillador

Seleccione el rango de velocidad/par deseado utilizando la palanca de cambio de engranes que se encuentra en la parte superior de la herramienta para ajustar la velocidad y el par necesarios para la operación planeada. Introduzca el accesorio deseado en el portabrocas como lo haría con cualquier broca. Haga algunas operaciones de práctica en material de desperdicio o en partes ocultas para determinar la posición adecuada del collarín de embrague.

Mantenimiento

LIMPIEZA: Con el motor en funcionamiento, limpie la mugre y el polvo de todas las rendijas de ventilación con aire seco por lo menos una vez a la semana. Utilice anteojos de seguridad cuando realice esta operación. Las partes de plástico externas se pueden limpiar con un trapo húmedo y detergente suave. Aún cuando estas partes son altamente resistentes a los solventes, NUNCA los utilice.

INSTRUCCIONES DE LIMPIEZA PARA EL CARGADOR:

⚠ **ADVERTENCIA:** Desconecte el cargador de la toma de corriente antes de limpiarlo. La mugre y la grasa pueden removerse de la parte externa del cargador con un trapo o un cepillo suave no metálico. No utilice agua ni soluciones limpiadoras.

Accesorios

Dispone usted de los accesorios recomendados para su herramienta con cargo adicional con su distribuidor o en su centro de servicio locales. Si necesita usted ayuda para encontrar algún accesorio para su herramienta, por favor haga contacto con: DeWALT Industrial Tool Co., 701 East Joppa Road, Baltimore, MD 21286.

⚠ **PRECAUCIÓN:** El empleo de cualquier accesorio no recomendado para esta herramienta puede ser peligroso.

Capacidades máximas recomendadas

	Velocidad Baja 1	Velocidad Alta - 2
BROCAS PARA METAL	9.5 mm (3/8")	6.3 mm (1/4")
BROCAS PLANAS, MADERA	25.4 mm (1")	15.8 mm (5/8")
BROCAS SIERRA	25.4 mm (1")	19 mm (3/4")

Reparaciones

Para garantizar la SEGURIDAD y la CONFIABILIDAD, deberán hacerse reparaciones, mantenimiento y ajustes de esta herramienta en los centros autorizados de servicio DeWALT u otras organizaciones autorizadas. Estas organizaciones prestan servicio a las herramientas DeWALT y emplean siempre refacciones legítimas DeWALT.

Póliza de Garantía

IDENTIFICACIÓN DEL PRODUCTO:

Sello o firma del Distribuidor.

Nombre del producto: _____ Mod./Cat.: _____

Marca: _____ Núm. de serie: _____

(Datos para ser llenados por el distribuidor)

Fecha de compra y/o entrega del producto: _____

Nombre y domicilio del distribuidor donde se adquirió el producto: _____

Este producto está garantizado por un año a partir de la fecha de entrega, contra cualquier defecto en su funcionamiento, así como en materiales y mano de obra empleados para su fabricación. Nuestra garantía incluye la reparación o reposición del producto y/o componentes sin cargo alguno para el cliente, incluyendo mano de obra, así como los gastos de transportación razonablemente erogados derivados del cumplimiento de este certificado.

Para hacer efectiva esta garantía deberá presentar su herramienta y esta póliza sellada por el establecimiento comercial donde se adquirió el producto, de no contar con ésta, bastará la factura de compra.

EXCEPCIONES.

Esta garantía no será válida en los siguientes casos:

- Cuando el producto se hubiese utilizado en condiciones distintas a las normales;
- Cuando el producto no hubiese sido operado de acuerdo con el instructivo de uso que se acompaña;
- Cuando el producto hubiese sido alterado o reparado por personas distintas a las enlistadas al final de este certificado.

Anexo encontrará una relación de sucursales de servicio de fábrica, centros de servicio autorizados y franquiciados en la República Mexicana, donde podrá hacer efectiva su garantía y adquirir partes, refacciones y accesorios originales.

Garantía Completa

Las herramientas industriales DEWALT están garantizadas durante un año a partir de la fecha de compra. Repararemos, sin cargos, cualquier falla debida a material o mano de obra defectuosos. Por favor regrese la unidad completa, con el transporte pagado, a cualquier Centro de Servicio para Herramientas Industriales de DEWALT o a las estaciones de servicio autorizado enlistadas bajo "Herramientas Eléctricas" en la Sección Amarilla. Esta garantía no se aplica a los accesorios ni a daños causados por reparaciones efectuadas por terceras personas. Esta garantía le otorga derechos legales específicos, y usted puede tener otros derechos que pueden variar de estado a estado.

En adición a la garantía, las herramientas DEWALT están amparadas por nuestra:

GARANTÍA DE SATISFACCIÓN SIN RIESGO POR 30 DÍAS

Si usted no se encuentra completamente satisfecho con el desempeño de su herramienta industrial DEWALT, sencillamente devuélvala a los vendedores participantes durante los primeros 30 días después de la fecha de compra para que le efectúen un reembolso completo. Por favor regrese la unidad completa, con el transporte pagado. Se puede requerir prueba de compra.

REEMPLAZO DE LAS ETIQUETAS DE ADVERTENCIA GRATUITO: Si sus etiquetas de advertencia se toman ilegibles o se pierden, llame al 1-800-4-DEWALT para que se las reemplacen sin cost.

PARA REPARACION Y SERVICIO DE SUS HERRAMIENTAS ELECTRICAS FAVOR DE DIRIGIRSE AL CENTRO DE SERVICIO MAS CERCANO

AGUASCALIENTES Av. de los Maestros 903 Col. España	449-913-38-01
CAMPECHE Av. Gobernadores 345 Col. Santa Ana	981-811-34-90
CHIAPAS 5 Norte Oriente 460 Col. Centro	961-600-02-87
CHIHUAHUA Av. Universidad 2903 Col. Universidad	614-413-64-04
DURANGO Av. 20 de Noviembre 2004 Ote Col. Centro	618-818-80-77
GUANAJUATO 1 Mayo 482 Col. Centro	462-626-79-22
GUADALAJARA Av. Vallarta 4901-a Col. Prados Vallarta	333-673-28-15
MÉXICO 16 de Septiembre 509 Col. Alce Blanco	55-358-40-07
OAXACA Av. Hidalgo 1303 Col. Centro	951-514-46-12
SINALOA Blvd. Manuel J. Clouthier 3027 Col. Lomas del Blvd.	667-717-89-99
SAN LUIS POTOSI Av. Universidad 1525 Col. San Luis	444-814-23-83
SONORA Nayarit 217 Col. San Benito	662-210-25-50
TABASCO Periferico 2047 Col. Periferico	993-350-38-72
TAMAULIPAS Tiburcio Garza Zamora 1185 Col. Beatty	813-374-24-16
YUCATÁN Calle 63 No. 459 Col. Centro	999-923-08-49
TAMPICO Av. Hidalgo 1801 Col. Aurora	833-213-42-61

PARA OTRAS LOCALIDADES LLAME AL: 326 7100

Especificaciones:

Modelo	Volts	RPM
DW952, 953, 954, 958, 961, 971, 972, 975, 990, 991, 996,	7,6 - 14,4	0-800 / 0- 2300

IMPORTADOR: DEWALT S.A. DE C.V.
BOSQUES DE CIDROS ACCESO RADIATAS NO. 42
COL. BOSQUES DE LAS LOMAS, 3A. SECCIÓN, CP 05120
DELEGACIÓN CUAJIMALPA, MÉXICO, D.F.
TEL. 5 326 7100
R.F.C.: BDE810626-1W7

Para servicio y ventas consulte
"HERRAMIENTAS ELECTRICAS"
en la sección amarilla.



DeWALT Battery and Charger Systems

Batt. Model#	Output Volts	Chargers/Charge Time - Chargeurs/Durée de charge (Minutes) - Cargadores de baterías/Tiempo de carga (Minutos)									
		120 Volts									
		DW9106	DW9118	DW9107	DW9108	DW9116	DW9117	DW9111	DW0249	DW0246	DW9109
DW0242	24	X	X	X	X	X	X	X	60	60	X
DW9096	18	X	X	X	60	60	20	60	X	X	60
DW9098	18	X	X	X	30	30	12	30	X	X	30
DW9099	18	X	X	X	45	45	15	45	X	X	45
DW9091	14.4	60	90	45	45	45	15	45	X	X	45
DW9094	14.4	45	60	30	30	30	12	30	X	X	30
DW9071	12	60	90	45	45	45	15	45	X	X	45
DW9072	12	45	60	30	30	30	12	30	X	X	30
DW9050	12	40	X	X	X	X	X	X	X	X	X
DW9061	9.6	60	90	45	45	45	15	45	X	X	45
DW9062	9.6	45	60	30	30	30	12	30	X	X	30
DW9048	9.6	40	X	X	X	X	X	X	X	X	X
DW9057	7.2	45	60	30	30	30	12	30	X	X	30

X Indicates that the battery pack is not compatible with that specific charger.

X indique que le bloc-piles n'est pas compatible avec ce chargeur.

Una "X" indica que el paquete de baterías no es compatible con ese determinado cargador..

All charge times are approximate. Actual charge time may vary. Read the instruction manual for more specific information.

Les durées de charge sont approximatives; la durée de charge réelle peut varier. Lire le manuel d'utilisation pour obtenir des renseignements plus précis.

El tiempo de duración de carga es aproximado; la duración de carga real puede variar. Lea el manual de instrucciones para obtener información más precisa.