

# DEWALT®



**Instruction Manual  
Guide D'utilisation  
Manual de instrucciones**

**DWE6411**

**1/4 Sheet Sander**

**Ponceuse à 1/4 de bande**

**Lijadora de 1/4 de lámina**

**[www.DEWALT.com](http://www.DEWALT.com)**

**If you have questions or comments, contact us.  
Pour toute question ou tout commentaire, nous contacter.  
Si tiene dudas o comentarios, contáctenos.**

**1-800-4-DEWALT**

English (**original instructions**)

---

4

Français (*traduction de la notice d'instructions originale*)

---

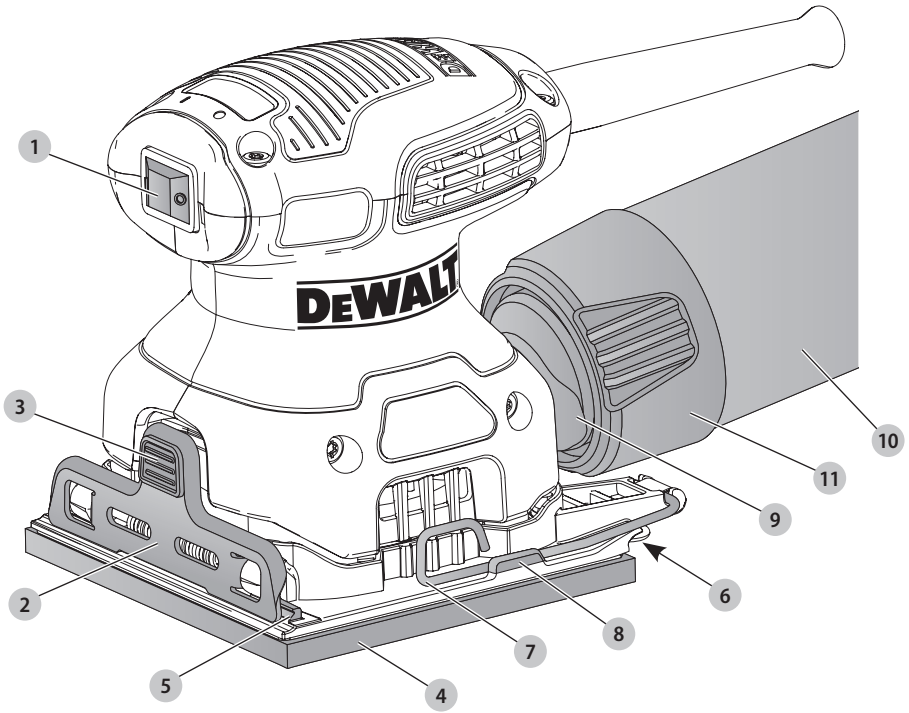
9

Español (*traducido de las instrucciones originales*)

---

15

Fig. A



### Components

- 1 On/Off switch
- 2 Front paper clamp
- 3 Front clamp button
- 4 Base plate/pad
- 5 Paper-limiting ribs
- 6 Rear paper clamp
- 7 Side clamp levers
- 8 Holding tabs
- 9 Dust chute
- 10 Dust bag
- 11 Dust bag collar

### Composants

- 1 Interrupteur marche/arrêt
- 2 Pince de fixation frontale
- 3 Bouton de pince frontale
- 4 Semelle/tampon
- 5 Bords recourbés
- 6 Pince de fixation arrière
- 7 Leviers de fixation latéraux
- 8 Pattes de fixation
- 9 Goulotte à poussière
- 10 Sac à poussière
- 11 Collier de sac à poussière

### Componentes

- 1 Conmutador de encendido y apagado
- 2 Abrazadera delantera del papel
- 3 Botón de la abrazadera delantera
- 4 Placa/almohadilla de la base
- 5 Canales de retención del papel
- 6 Abrazadera trasera del papel
- 7 Palancas de sujeción lateral
- 8 Pestañas de sujeción
- 9 Conducto de polvo
- 10 Bolsa de recolección de polvo
- 11 Cuello de la bolsa de recolección de polvo

Fig. B

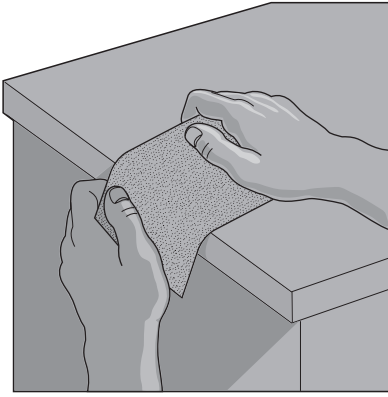


Fig. C

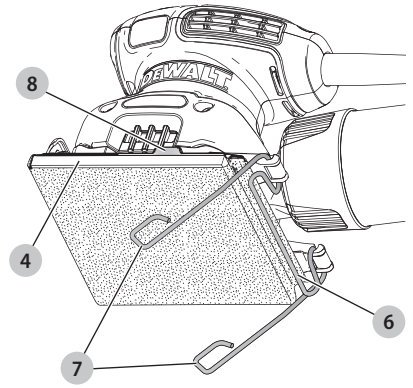


Fig. D

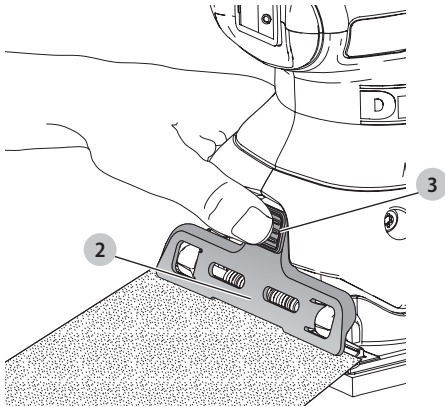


Fig. E

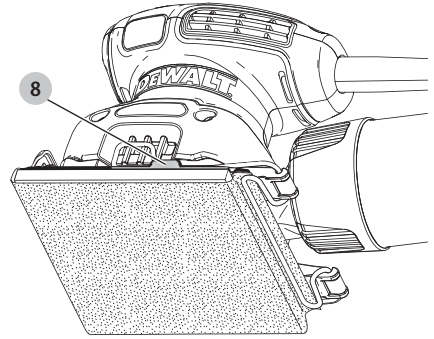


Fig. F

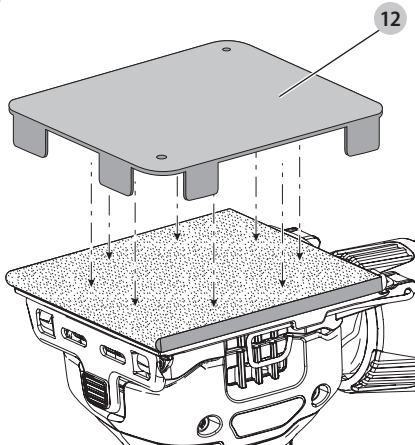


Fig. G

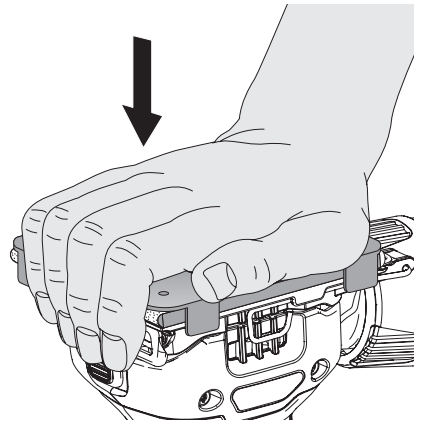


Fig. H

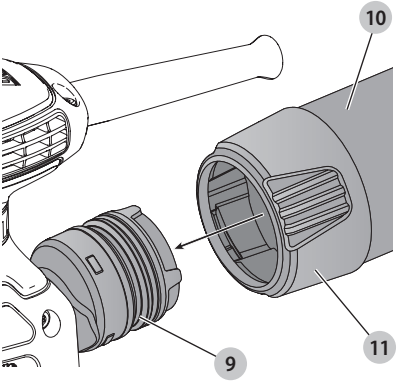


Fig. I

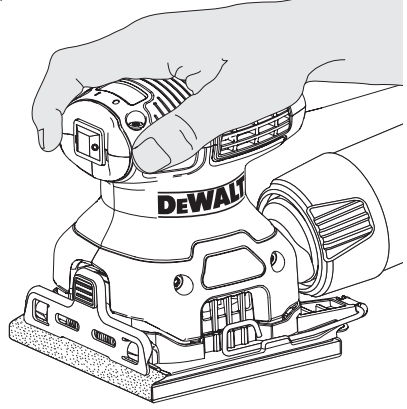
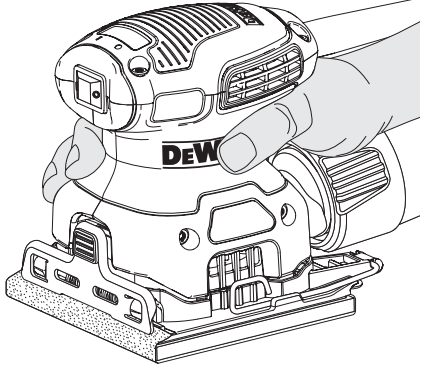


Fig. J





**WARNING:** Read all safety warnings and all instructions. Failure to follow the warnings and instructions may result in electric shock, fire and/or serious injury.



**WARNING:** To reduce the risk of injury, read the instruction manual.

## Intended Use

This quarter sheet sander is designed for sanding wood, metal, plastic and painted surfaces.

This drywall sander is a professional power tool.

**DO NOT** use under wet conditions or in presence of flammable liquids or gases.

**DO NOT** let children come into contact with the tool. Supervision is required when inexperienced operators use this tool.

## Definitions: Safety Alert Symbols and Words

This instruction manual uses the following safety alert symbols and words to alert you to hazardous situations and your risk of personal injury or property damage.



**DANGER:** Indicates an imminently hazardous situation which, if not avoided, **will** result in **death or serious injury**.



**WARNING:** Indicates a potentially hazardous situation which, if not avoided, **could** result in **death or serious injury**.



**CAUTION:** Indicates a potentially hazardous situation which, if not avoided, **may** result in **minor or moderate injury**.



**NOTICE:** Indicates a practice **not related to personal injury** which, if not avoided, **may** result in **property damage**.

(Used without word) Indicates a safety related message.

## GENERAL POWER TOOL SAFETY WARNINGS



**WARNING:** Read all safety warnings, instructions, illustrations and specifications provided with this power tool. Failure to follow all instructions listed below may result in electric shock, fire and/or serious injury.

### SAVE ALL WARNINGS AND INSTRUCTIONS FOR FUTURE REFERENCE.

The term "power tool" in the warnings refers to your mains-operated (corded) power tool or battery-operated (cordless) power tool.

### 1) Work Area Safety

- Keep work area clean and well lit.** Cluttered or dark areas invite accidents.
- Do not operate power tools in explosive atmospheres, such as in the presence of flammable liquids, gases or dust.** Power tools create sparks which may ignite the dust or fumes.
- Keep children and bystanders away while operating a power tool.** Distractions can cause you to lose control.

### 2) Electrical Safety

- Power tool plugs must match the outlet. Never modify the plug in any way. Do not use any adapter plugs with earthed (grounded) power tools.** Unmodified plugs and matching outlets will reduce risk of electric shock.
- Avoid body contact with earthed or grounded surfaces, such as pipes, radiators, ranges and refrigerators.** There is an increased risk of electric shock if your body is earthed or grounded.
- Do not expose power tools to rain or wet conditions.** Water entering a power tool will increase the risk of electric shock.
- Do not abuse the cord. Never use the cord for carrying, pulling or unplugging the power tool. Keep cord away from heat, oil, sharp edges or moving parts.** Damaged or entangled cords increase the risk of electric shock.
- When operating a power tool outdoors, use an extension cord suitable for outdoor use.** Use of a cord suitable for outdoor use reduces the risk of electric shock.
- If operating a power tool in a damp location is unavoidable, use a ground fault circuit interrupter (GFCI) protected supply.** Use of a GFCI reduces the risk of electric shock.

### 3) Personal Safety

- Stay alert, watch what you are doing and use common sense when operating a power tool. Do not use a power tool while you are tired or under the influence of drugs, alcohol or medication.** A moment of inattention while operating power tools may result in serious personal injury.
- Use personal protective equipment. Always wear eye protection.** Protective equipment such as a dust mask, non-skid safety shoes, hard hat, or hearing protection used for appropriate conditions will reduce personal injuries.
- Prevent unintentional starting. Ensure the switch is in the off position before connecting to power source and/or battery pack, picking up or carrying the tool.** Carrying power tools with your finger on the switch or energizing power tools that have the switch on invites accidents.
- Remove any adjusting key or wrench before turning the power tool on.** A wrench or a key left attached to a rotating part of the power tool may result in personal injury.
- Do not overreach. Keep proper footing and balance at all times.** This enables better control of the power tool in unexpected situations.
- Dress properly. Do not wear loose clothing or jewelry. Keep your hair, clothing and gloves away from moving parts.** Loose clothes, jewelry or long hair can be caught in moving parts.
- If devices are provided for the connection of dust extraction and collection facilities, ensure these are connected and properly used.** Use of dust collection can reduce dust-related hazards.

- h) **Do not let familiarity gained from frequent use of tools allow you to become complacent and ignore tool safety principles.** A careless action can cause severe injury within a fraction of a second.

#### 4) Power Tool Use and Care

- a) **Do not force the power tool. Use the correct power tool for your application.** The correct power tool will do the job better and safer at the rate for which it was designed.
- b) **Do not use the power tool if the switch does not turn it on and off.** Any power tool that cannot be controlled with the switch is dangerous and must be repaired.
- c) **Disconnect the plug from the power source and/or remove the battery pack, if detachable, from the power tool before making any adjustments, changing accessories, or storing power tools.** Such preventive safety measures reduce the risk of starting the power tool accidentally.
- d) **Store idle power tools out of the reach of children and do not allow persons unfamiliar with the power tool or these instructions to operate the power tool.** Power tools are dangerous in the hands of untrained users.
- e) **Maintain power tools and accessories. Check for misalignment or binding of moving parts, breakage of parts and any other condition that may affect the power tool's operation. If damaged, have the power tool repaired before use.** Many accidents are caused by poorly maintained power tools.
- f) **Keep cutting tools sharp and clean.** Properly maintained cutting tools with sharp cutting edges are less likely to bind and are easier to control.
- g) **Use the power tool, accessories and tool bits, etc. in accordance with these instructions, taking into account the working conditions and the work to be performed.** Use of the power tool for operations different from those intended could result in a hazardous situation.
- h) **Keep handles and grasping surfaces dry, clean and free from oil and grease.** Slippery handles and grasping surfaces do not allow for safe handling and control of the tool in unexpected situations.

#### 5) Service

- a) **Have your power tool serviced by a qualified repair person using only identical replacement parts.** This will ensure that the safety of the power tool is maintained.

#### Additional Safety Instructions for Sanders

- **Always wear eye protection and a respirator when sanding.**
- **Sanding of lead-based paint is not recommended.** See Precautions to Take When Sanding Paint for additional information before sanding paint.
- **Do not operate the unit without a dust collection system.**

- **Clean your tool out periodically.**
- **Empty dust bag frequently, especially when sanding resin coated surfaces such as polyurethane, varnish, shellac, etc.** Dispose of coated dust particles according to the finish manufacturer's guidelines, or place in a metal can with a tight-fitting metal lid. Remove coated dust particles from the premises daily. The accumulation of fine sanding dust particles may self-ignite and cause fire.

#### Additional Safety Information



**WARNING:** Never modify the power tool or any part of it. Damage or personal injury could result.



**WARNING: ALWAYS** use safety glasses. Everyday eyeglasses are NOT safety glasses. Also use face or dust mask if operation is dusty. **ALWAYS WEAR CERTIFIED SAFETY EQUIPMENT:**

- ANSI Z87.1 eye protection (CAN/CSA Z94.3),
- ANSI S12.6 (S3.19) hearing protection,
- NIOSH/OSHA/MSHA respiratory protection.



**WARNING:** Some dust created by power sanding, sawing, grinding, drilling, and other construction activities contains chemicals known to the State of California to cause cancer, birth defects or other reproductive harm. Some examples of these chemicals are:

- lead from lead-based paints,
- crystalline silica from bricks and cement and other masonry products, and
- arsenic and chromium from chemically-treated lumber.

Your risk from these exposures varies, depending on how often you do this type of work. To reduce your exposure to these chemicals: work in a well-ventilated area, and work with approved safety equipment, such as those dust masks that are specially designed to filter out microscopic particles.

- **Wear protective clothing and wash exposed areas with soap and water.** Allowing dust to get into your mouth, eyes, or lie on the skin may promote absorption of harmful chemicals. Direct particles away from face and body.
- WARNING:** Always wear proper personal hearing protection that conforms to ANSI S12.6 (S3.19) during use. Under some conditions and duration of use, noise from this product may contribute to hearing loss.





• **Use the appropriate dust extractor vacuum to remove the vast majority of static and airborne dust.** Failure to remove static and airborne dust could contaminate the working environment or pose an increased health risk to the operator and those in close proximity.

- **Use clamps or other practical ways to secure and support the workpiece to a stable platform.** Holding the workpiece by hand or against your body is unstable and may lead to loss of control and injury.
- **Air vents often cover moving parts and should be avoided.** Loose clothes, jewelry or long hair can be caught in moving parts.
- **An extension cord must have adequate wire size (AWG or American Wire Gauge) for safety.** The smaller the gauge number of the wire, the greater the capacity

of the cable, that is, 16 gauge has more capacity than 18 gauge. An undersized cord will cause a drop in line voltage resulting in loss of power and overheating. When using more than one extension to make up the total length, be sure each individual extension contains at least the minimum wire size. The following table shows the correct size to use depending on cord length and nameplate ampere rating. If in doubt, use the next heavier gauge. The lower the gauge number, the heavier the cord.

Minimum Gauge for Cord Sets		Total Length of Cord in Feet (meters)			
Volts					
120 V		25 (7.6)	50 (15.2)	100 (30.5)	150 (45.7)
240 V		50 (15.2)	100 (30.5)	200 (61.0)	300 (91.4)
Ampere Rating		American Wire Gauge			
More Than	Not More Than				
0	6	18	16	16	14
6	10	18	16	14	12
10	12	16	16	14	12
12	16	14	12	Not Recommended	

 **WARNING:** Use of this tool can generate and/or disperse dust, which may cause serious and permanent respiratory or other injury. Always use NIOSH/OSHA approved respiratory protection appropriate for the dust exposure. Direct particles away from face and body.

 **WARNING:** Always wear proper personal hearing protection that conforms to ANSI S12.6 (S3.19) during use. Under some conditions and duration of use, noise from this product may contribute to hearing loss.


The label on your tool may include the following symbols. The symbols and their definitions are as follows:

V .....	volts	n <sub>0</sub> .....	no load speed
Hz .....	hertz	n .....	rated speed
min .....	minutes	PSI .....	pounds per square inch
— — or DC .....	direct current	⊕ .....	earthing terminal
Ⓜ .....	Class I Construction (grounded)	⚠ .....	safety alert symbol
. . . /min .....	per minute	⚠ .....	visible radiation—do not stare into the light
BPM .....	beats per minute	👤 .....	wear respiratory protection
IPM .....	impacts per minute	👁 .....	wear eye protection
OPM .....	oscillations per minute	👂 .....	wear hearing protection
RPM .....	revolutions per minute	📖 .....	read all documentation
sfpm .....	surface feet per minute	⊗ .....	do not expose to rain
SPM .....	strokes per minute		
A .....	amperes		
W .....	watts		
Wh .....	watt hours		
Ah .....	amp hours		
~ or AC .....	alternating current		
⚡ or AC/DC .....	alternating or direct current		
⊞ .....	Class II Construction (double insulated)		


## Motor

Be sure your power supply agrees with the nameplate marking. Voltage decrease of more than 10% will cause loss of power and overheating. DeWALT tools are factory tested; if this tool does not operate, check power supply.

## ASSEMBLY AND ADJUSTMENTS

 **WARNING:** To reduce the risk of serious personal injury, turn unit off and disconnect it from power source before making any adjustments or removing/installing attachments or accessories. An accidental start-up can cause injury.

## Attaching Abrasive Paper (Fig. B - E)

 **CAUTION:** Turn off and unplug the tool before making any adjustments or removing or installing attachments or accessories. Be sure the switch is in the OFF position.

Your sander is designed to use 1/4-sized sanding sheets. Pre-cut 4-1/2" x 5-1/2" (11 cm X 14 cm) sandpaper is available at extra cost.

## TO MAKE 4-1/2" X 5-1/2" (11 cm X 14 cm) SANDPAPER


- Cut full-sized (9" x 11" [23 cm x 28 cm]) sandpaper into 1/4 sheets of 4-1/2" x 5-1/2" (11 cm X 14 cm).
- Cut 1/2 sheet sandpaper into two 4-1/2" x 5-1/2" (11 cm X 14 cm) sheets.

## FITTING REGULAR SANDING SHEETS

For normal operation, assemble the abrasive paper to your unit as follows:

- Soften the stiff sandpaper by pulling it over the 90° edge of a table or other straight edge, as shown in Figure B. Concentrate on softening the edges to be clamped.
- Release the rear paper clamp **6** by pulling up on the side clamp levers **7** and disengaging them from the holding tabs **8** on the base plate/pad **4** as shown in Figure C.
- Disengage the front paper clamp **2** (Fig. D) by applying and holding pressure on the front clamp button **3** while inserting the 4-1/2" edge of the abrasive paper under the front paper clamp until it hits the paper-limiting ribs **5**. Release the front paper clamp to secure the front of the paper.
- Stretch paper over the base plate/pad and begin to pivot the rear paper clamp around to its locking position. Lock one side clamp lever by placing it behind the holding tab **8** (Fig. E) on the base plate/pad and then repeat with the second side clamp lever.
- If you are using the dust extraction feature, perforate the sandpaper (see Paper Punch).

## Paper Punch (Fig. F, G)

 **CAUTION:** Turn off and remove the battery pack from the tool before making any adjustments or removing or installing attachments or accessories. Be sure the switch is in the OFF position.

A paper punch **12** is provided with your sander to let you perforate regular abrasive paper to make dust collection possible.



## To Perforate your Abrasive Paper

Install the abrasive paper on the tool as instructed in this manual. With the sander turned off and battery removed, place the paper punch on the paper so that the tabs at the edges of the punch are against any two adjacent sides of the sanding pad, as shown. Press the punch against the pad so that the 8 points penetrate the paper, as shown in Figure F. (Press the punch into the pad as far as it will go.) Remove the paper punch and the paper is ready.

An alternate method of perforating the paper is to securely fasten the punch to a suitable work surface. Two holes are provided in the punch for this purpose. Use #8 flat head screws. Press the sander (with the paper attached) down on the punch.

## Dust Collection (Fig. A, H)



**WARNING: Collected sanding dust from sanding surface coatings (polyurethane, linseed oil, etc.) can self ignite in sander dust bag or elsewhere and cause fire.** To reduce risk, empty bag frequently and strictly follow sander manual and coating manufacturer's instructions.

Your sander has a dust chute 9 which allows either the supplied dust bag 10 or a shop vacuum system to be connected. The built-in outlet utilizes the DEWALT AirLock connection making it compatible with the DEWALT dust extractor.

### To Attach the Dust Bag

1. While holding the sander, fit the dust bag collar 11 to the dust chute as shown in Fig. H.
2. Turn the dust bag collar clockwise to lock the dust bag in place.

### To Empty the Dust Bag

1. While holding the sander, turn the collar counterclockwise to unlock the dust bag.
2. Remove dust bag from the sander and gently shake or tap the dust bag to empty.
3. Reattach the dust bag back onto the outlet and lock into place by turning the dust bag collar clockwise.

You may notice that all the dust will not come free from the bag. This will not affect sanding performance but will reduce the sander's dust collection efficiency. To restore your sander's dust collection efficiency, depress the spring inside the dust bag when you are emptying it and tap it on the side of the trash can or dust receptacle.



**CAUTION: Never operate these tools unless the dust collector is in place.** Sanding dust exhaust may create a breathing hazard.

## OPERATION



**WARNING: To reduce the risk of serious personal injury, turn unit off and disconnect it from power source before making any adjustments or removing/installing attachments or accessories.** An accidental start-up can cause injury.

## Switch (Fig. A)

To turn the unit on, depress the side of the dust-protected switch 1 that corresponds to the symbol "I". To turn the tool off, depress the side of the switch that corresponds to the symbol "O".

## Proper Hand Position (Fig. I, J)

**NOTE:** This sander is not to be used in drywall applications.

1. To operate your sander, grasp it as shown in Figure I or J and turn it on.
  2. Move it in long, sweeping strokes along the surface being sanded, letting the sander do the work. Pushing down on the tool while sanding actually slows the removal rate and produces an inferior quality surface. Be sure to check your work often, this sander is capable of removing material rapidly, especially with coarse paper.
- Your sander is designed to sand flush on three sides for sanding in corners, and its small size and light weight make it ideal for overhead work.
  - The orbital action of your sander allows you to sand with the grain or at any angle across it for most sanding jobs. On the final sanding steps, as discussed below, a better finish will result if you sand only with the grain.
  - To produce the best finish possible, start with coarse grit sandpaper and change gradually to finer and finer paper. A final sanding with a piece of well-worn fine sandpaper will produce a professional-looking finish that in many cases will need no hand sanding at all. The rate at which the dust collection bag will fill up will vary with the type of material being sanded and the coarseness of the sandpaper. For best results, empty the bag frequently and check the opening for clogging.
  - When sanding painted surfaces, you may find that the sandpaper loads up and clogs with paint. A heat gun will work much better to remove paint before sanding. FOLLOW ALL SAFETY INSTRUCTIONS IN HEAT GUN INSTRUCTION MANUAL.

## Precautions to Take When Sanding Paint

Sanding of lead based paint is NOT RECOMMENDED due to the difficulty of controlling the contaminated dust. The greatest danger of lead poisoning is to children and pregnant women.

Since it is difficult to identify whether or not a paint contains lead without a chemical analysis, we recommend the following precautions when sanding any paint:

### 1. PERSONAL SAFETY

- No children or pregnant women should enter the work area where the paint sanding is being done until all clean up is completed.
- A dust mask or respirator should be worn by all persons entering the work area. The filter should be replaced daily or whenever the wearer has difficulty breathing. See your local hardware store for the proper NIOSH-approved dust mask.
- NO EATING, DRINKING or SMOKING should be done in the work area to prevent ingesting contaminated

paint particles. Workers should wash and clean up BEFORE eating, drinking or smoking. Articles of food, drink, or smoking should not be left in the work area where dust would settle on them.

## 2. ENVIRONMENTAL SAFETY

- Paint should be removed in such a manner as to minimize the amount of dust generated.
- Areas where paint removal is occurring should be sealed with plastic sheeting of 4 mils thickness.
- Sanding should be done in a manner to reduce tracking of paint dust outside the work area.

## 3. CLEANING AND DISPOSAL

- All surfaces in the work area should be vacuumed and thoroughly cleaned daily for the duration of the sanding project. Vacuum filter bags should be changed frequently.
- Plastic drop cloths should be gathered up and disposed of along with any dust chips or other removal debris. They should be placed in sealed refuse receptacles and disposed of through regular trash pick-up procedures. During clean up, children and pregnant women should be kept away from the immediate work area.
- All toys, washable furniture and utensils used by children should be washed thoroughly before being used again.

## Tool Care

- Keep your machine as clean as possible by wiping with a clean cloth and blowing through it with air after every 5 hours of use.
- Don't use harsh chemicals or solvents to clean the tool. These chemicals could seriously damage the plastic.
- Avoid overloading your sander. Overloading will result in a considerable reduction in speed and efficiency and the unit will become hot. In this event, run sander at a "no load" condition for a minute or two.
- Brush inspection and replacement should be completed by your local dealer or authorized service center.

## MAINTENANCE



**WARNING:** *To reduce the risk of serious personal injury, turn unit off and disconnect it from power source before making any adjustments or removing/installing attachments or accessories. An accidental start-up can cause injury.*

Your DEWALT power tool has been designed to operate over a long period of time with a minimum of maintenance. Continuous satisfactory operation depends upon proper tool care and regular cleaning.

## Cleaning



**WARNING:** *Blow dirt and dust out of all air vents with clean, dry air at least once a week. To minimize the risk of eye injury, always wear ANSI Z87.1 approved eye protection when performing this procedure.*



**WARNING:** *Never use solvents or other harsh chemicals for cleaning the non-metallic parts of the*

*tool. These chemicals may weaken the plastic materials used in these parts. Use a cloth dampened only with water and mild soap. Never let any liquid get inside the tool; never immerse any part of the tool into a liquid.*

## Accessories



**WARNING:** *Since accessories, other than those offered by DEWALT, have not been tested with this product, use of such accessories with this product could be hazardous. To reduce the risk of injury, only DEWALT recommended accessories should be used with this product.*

Recommended accessories for use with your product are available at extra cost from your local dealer or authorized service center. If you need assistance in locating any accessory, please contact DEWALT. Call **1-800-4-DEWALT (1-800-433-9258)** or visit our website: **www.dewalt.com**.

## Lubrication

Self lubricating bearings are used in the tool and periodic relubrication is not required. However, it is recommended that, once a year, you take or send the tool to a service center for a thorough cleaning and inspection.

## Repairs

To assure product SAFETY and RELIABILITY, repairs, maintenance and adjustment (including brush inspection and replacement) should be performed by a DEWALT factory service center, a DEWALT authorized service center or other qualified service personnel. Always use identical replacement parts.

## Register Online

Thank you for your purchase. Register your product now for:

- **WARRANTY SERVICE:** Registering your product will help you obtain more efficient warranty service in case there is a problem with your product.
- **CONFIRMATION OF OWNERSHIP:** In case of an insurance loss, such as fire, flood or theft, your registration of ownership will serve as your proof of purchase.
- **FOR YOUR SAFETY:** Registering your product will allow us to contact you in the unlikely event a safety notification is required under the Federal Consumer Safety Act.
- Register online at **www.dewalt.com**.


## Three Year Limited Warranty


For warranty terms, go to <https://www.dewalt.com/support/warranty>.

To request a written copy of the warranty terms, contact: Customer Service at DEWALT Industrial Tool Co., 701 East Joppa Road, Towson, MD 21286 or call **1-800-4-DEWALT (1-800-433-9258)**.

**LATIN AMERICA:** This warranty does not apply to products sold in Latin America. For products sold in Latin America, see country-specific warranty information contained in the packaging, call the local company or see website for warranty information.

**FREE WARNING LABEL REPLACEMENT:** If your warning labels become illegible or are missing, call **1-800-4-DEWALT (1-800-433-9258)** for a free replacement.

 **AVERTISSEMENT :** lisez tous les avertissements de sécurité et toutes les instructions. Ne pas suivre les avertissements et les instructions peut entraîner un choc électrique, un incendie et/ou des blessures graves.

 **AVERTISSEMENT :** pour réduire le risque de blessure, lisez le guide d'utilisation.

## Utilisation prévue


Cette ponceuse quart de feuille est conçue pour le ponçage du bois, du métal, du plastique et des surfaces peintes.


**NE PAS** utiliser en conditions mouillées ou en présence de liquides ou de gaz inflammables.


**NE PAS** laisser les enfants entrer en contact avec l'outil. Une supervision est requise lorsque des utilisateurs inexpérimentés utilisent cet outil.


## Définitions: symboles et mentions d'alerte de sécurité

Cette notice d'utilisation utilise les symboles et les mentions d'alerte de sécurité suivants afin de vous alerter sur les situations dangereuses et les risques de blessures ou de dégâts matériels.


 **DANGER:** indique une situation de risque imminent qui engendre, si elle n'est pas évitée, la mort ou de graves blessures.

 **AVERTISSEMENT:** indique une situation de risque potentiel qui pourrait engendrer, si elle n'est pas évitée, la mort ou de graves blessures.

 **ATTENTION:** indique une situation de risque potentiel qui peut engendrer, si elle n'est pas évitée, des blessures bénignes ou modérées.

 **REMARQUE:** indique une pratique n'entraînant aucun risque de blessures mais qui, si elle n'est pas évitée, peut entraîner des dommages matériels.  
(Utilisé sans mention) Indique un message lié à la sécurité.

## AVERTISSEMENTS GÉNÉRAUX SUR LA SÉCURITÉ DES OUTILS

 **AVERTISSEMENT :** lisez tous les avertissements de sécurité, toutes les instructions, les illustrations et les caractéristiques fournis avec cet outil électrique. Ne pas suivre toutes les instructions comprises aux présentes peut conduire à un choc électrique, un incendie et/ou des blessures graves.

### CONSERVER TOUS LES AVERTISSEMENTS ET TOUTES LES DIRECTIVES POUR UN USAGE ULTÉRIEUR.

Le terme « outil électrique » cité dans les avertissements se rapporte à votre outil électrique à alimentation sur secteur (avec fil) ou par piles (sans fil).

## 1) Sécurité du lieu de travail

- a) **Tenir l'aire de travail propre et bien éclairée.**  
Les lieux encombrés ou sombres sont propices aux accidents.

- b) **Ne pas faire fonctionner d'outils électriques dans un milieu déflamant, tel qu'en présence de liquides, de gaz ou de poussières inflammables.**  
Les outils électriques produisent des étincelles qui pourraient enflammer la poussière ou les vapeurs.
- c) **Éloigner les enfants et les personnes à proximité pendant l'utilisation d'un outil électrique.** Une distraction pourrait en faire perdre la maîtrise à l'utilisateur.

## 2) Sécurité en matière d'électricité

- a) **Les fiches des outils électriques doivent correspondre à la prise. Ne jamais modifier la fiche d'aucune façon. Ne jamais utiliser de fiche d'adaptation avec un outil électrique mis à la terre.** Le risque de choc électrique sera réduit par l'utilisation de fiches non modifiées correspondant à la prise.
- b) **Éviter tout contact physique avec des surfaces mises à la terre comme des tuyaux, des radiateurs, des cuisinières et des réfrigérateurs.** Le risque de choc électrique est plus élevé si votre corps est mis à la terre.
- c) **Ne pas exposer les outils électriques à la pluie ou à l'humidité.** La pénétration de l'eau dans un outil électrique augmente le risque de choc électrique.
- d) **Ne pas utiliser le cordon de façon abusive. Ne jamais utiliser le cordon pour transporter, tirer ou débrancher un outil électrique. Tenir le cordon éloigné de la chaleur, de l'huile, des bords tranchants et des pièces mobiles.** Les cordons endommagés ou enchevêtrés augmentent les risques de choc électrique.
- e) **Pour l'utilisation d'un outil électrique à l'extérieur, se servir d'une rallonge convenant à cette application.** L'utilisation d'une rallonge conçue pour l'extérieur réduira les risques de choc électrique.
- f) **S'il est impossible d'éviter l'utilisation d'un outil électrique dans un endroit humide, brancher l'outil dans une prise ou sur un circuit d'alimentation dotés d'un disjoncteur de fuite à la terre (GFCI).** L'utilisation de ce type de disjoncteur réduit les risques de choc électrique.

## 3) Sécurité personnelle

- a) **Être vigilant, surveiller le travail effectué et faire preuve de jugement lorsqu'un outil électrique est utilisé. Ne pas utiliser d'outil électrique en cas de fatigue ou sous l'influence de drogues, d'alcool ou de médicaments.** Un simple moment d'inattention en utilisant un outil électrique peut entraîner des blessures corporelles graves.
- b) **Utiliser des équipements de protection individuelle. Toujours porter une protection oculaire.** L'utilisation d'équipements de protection comme un masque antipoussière, des chaussures antidérapantes, un casque de sécurité ou des protecteurs auditifs lorsque la situation le requiert réduira les risques de blessures corporelles.

- c) **Empêcher les démarrages intempestifs. S'assurer que l'interrupteur se trouve à la position d'arrêt avant de relier l'outil à une source d'alimentation et/ou d'insérer un bloc-piles, de ramasser ou de transporter l'outil.** Transporter un outil électrique alors que le doigt repose sur l'interrupteur ou brancher un outil électrique dont l'interrupteur est à la position de marche risque de provoquer un accident.
- d) **Retirer toute clé de réglage ou clé avant de démarrer l'outil.** Une clé ou une clé de réglage attachée à une partie pivotante de l'outil électrique peut provoquer des blessures corporelles.
- e) **Ne pas trop tendre les bras. Conserver son équilibre en tout temps.** Cela permet de mieux maîtriser l'outil électrique dans les situations imprévues.
- f) **S'habiller de manière appropriée. Ne pas porter de vêtements amples ni de bijoux. Garder les cheveux, les vêtements et les gants à l'écart des pièces mobiles.** Les vêtements amples, les bijoux ou les cheveux longs risquent de rester coincés dans les pièces mobiles.
- g) **Si des composants sont fournis pour le raccordement de dispositifs de dépoussiérage et de ramassage, s'assurer que ceux-ci sont bien raccordés et utilisés.** L'utilisation d'un dispositif de dépoussiérage peut réduire les dangers engendrés par les poussières.
- h) **Ne pas laisser votre connaissance acquise suite l'utilisation fréquente des outils vous permettre de baisser la garde et ignorer les principes de sécurité de l'outil.** Un acte irréfléchi peut causer une blessure grave en une fraction de seconde.

#### 4) Utilisation et entretien d'un outil électrique

- a) **Ne pas forcer un outil électrique. Utiliser l'outil électrique approprié à l'application.** L'outil électrique approprié effectuera un meilleur travail, de façon plus sûre et à la vitesse pour laquelle il a été conçu.
- b) **Ne pas utiliser un outil électrique dont l'interrupteur est défectueux.** Tout outil électrique dont l'interrupteur est défectueux est dangereux et doit être réparé.
- c) **Débranchez la fiche de la prise électrique et, si amovible, retirez le bloc-piles de l'outil avant d'effectuer tout ajustement, changement et entreposage de celui-ci.** Ces mesures préventives réduisent les risques de démarrage accidentel de l'outil électrique.
- d) **Ranger les outils électriques hors de la portée des enfants et ne permettre à aucune personne n'étant pas familière avec un outil électrique ou son mode d'emploi d'utiliser cet outil.** Les outils électriques deviennent dangereux entre les mains d'utilisateurs inexpérimentés.
- e) **Gardez les poignées et surfaces d'emprise propres et libres de tout produit lubrifiant. Vérifier si les pièces mobiles sont mal alignées ou coincées, si des pièces sont brisées ou présentent toute**

**autre condition susceptible de nuire au bon fonctionnement de l'outil électrique. En cas de dommage, faire réparer l'outil électrique avant toute nouvelle utilisation.** Beaucoup d'accidents sont causés par des outils électriques mal entretenus.

- f) **S'assurer que les outils de coupe sont aiguisés et propres.** Les outils de coupe bien entretenus et affûtés sont moins susceptibles de se coincer et sont plus faciles à maîtriser.
- g) **Utiliser l'outil électrique, les accessoires, les forets, etc. conformément aux présentes directives en tenant compte des conditions de travail et du travail à effectuer.** L'utilisation d'un outil électrique pour toute opération autre que celle pour laquelle il a été conçu est dangereuse.
- h) **Garder vos mains et les surfaces de prise sèches, propres et libres de graisse et de poussière.** Les mains et les surfaces de prise glissante ne permettent pas la manutention et le contrôle sécuritaires de l'outil dans les situations imprévues.

#### 5) Réparation

- a) **Faire réparer l'outil électrique par un réparateur professionnel en n'utilisant que des pièces de rechange identiques.** Cela permettra de maintenir une utilisation sécuritaire de l'outil électriques.

#### Règles de sécurité additionnelles relatives aux ponceuses

- **Toujours porter des lunettes de protection et un appareil respiratoire antipoussière pendant le ponçage.**
- **Le ponçage de peintures à base de plomb n'est pas recommandé.** Se reporter à la section Mesures de précaution concernant le ponçage de peinture pour plus d'informations quant au ponçage des peintures.
- **Ne pas utiliser l'outil sans système de dépoussiérage.**
- **Nettoyer cet outil périodiquement.**
- **Videz fréquemment le sac de récupération des poussières, tout particulièrement lorsque vous poncez des surfaces revêtues de résine comme le polyuréthane, les vernis, la gomme-laque, etc.** Jetez les particules de poussière de revêtement conformément aux directives du fabricant du revêtement ou placez-les dans un récipient métallique fermé par un couvercle métallique hermétique. Supprimez quotidiennement les particules de poussière des locaux. L'accumulation de fines particules de poussière de ponçage peut s'auto-enflammer et provoquer un incendie.

#### Renseignements de sécurité supplémentaires



**AVERTISSEMENT :** ne modifiez jamais l'outil électrique ou toute pièce de celui-ci. Cela pourrait entraîner des dommages matériels ou des blessures corporelles.



**AVERTISSEMENT :** portez **TOUJOURS** des lunettes de sécurité. Les lunettes ordinaires NE SONT PAS des lunettes de sécurité. Utilisez également un masque

facial si l'opération est poussiéreuse. **PORTEZ TOUJOURS UN ÉQUIPEMENT DE SÉCURITÉ CERTIFIÉ :**

- Protection oculaire ANSI Z87.1 (CAN/CSA Z94.3),
- Protection auditive ANSI S12.6 (S3.19),
- Protection respiratoire NIOSH/OSHA/MSHA.



**AVERTISSEMENT :** certaines poussières créées par le ponçage mécanique, le sciage, l'aiguisage, le perçage et autres activités de construction contiennent des produits chimiques reconnus dans l'État de la Californie pour causer le cancer et des anomalies congénitales ou autres effets nuisibles sur la reproduction. Certains exemples de ces produits chimiques sont :

- le plomb provenant des peintures à base de plomb,
- la silice cristallisée provenant des briques, du ciment et d'autres produits de la maçonnerie ainsi que
- l'arsenic et le chrome provenant du bois de construction traité chimiquement.

Votre risque à ces expositions varie selon la fréquence dont vous effectuez ce type de travail. Pour réduire votre exposition à ces produits chimiques : travaillez dans un endroit bien aéré et avec un équipement de sécurité homologué, comme les masques anti-poussière spécialement conçus pour filtrer les particules microscopiques.

- **Portez des vêtements protecteurs et lavez vos zones exposées avec du savon et de l'eau.** Permettre à la poussière d'entrer dans votre bouche, vos yeux ou se déposer sur la peau peut favoriser l'absorption des produits chimiques dangereux. Dirigez les particules loin du visage et du corps.



**AVERTISSEMENT :** portez toujours une protection auditive personnelle appropriée conforme à ANSI S12.6 (S3.19) durant l'utilisation. Dans certaines conditions et selon la durée d'utilisation, le bruit provenant de ce produit peut contribuer à la perte de l'audition.

- **Utilisez le dépoussiéreur approprié pour enlever la grande majorité de la poussière statique et en suspension.** Ne pas enlever la poussière statique et en suspension pourrait contaminer l'environnement de travail ou représenter un risque accru pour la santé de l'utilisateur et ceux qui sont à proximité.
- **Utilisez des pinces ou d'autres façons pratiques de sécuriser et maintenez la pièce de travail sur une plateforme stable.** Tenir la pièce de travail d'une main ou contre votre corps est instable et peut mener à une perte de contrôle et une blessure.
- **Les événements couvrent souvent des pièces qui se déplacent et doivent être évités.** Des vêtements amples, les bijoux ou les cheveux longs peuvent se coincer dans des pièces qui déplacent.
- **An extension cord must have adequate wire size (AWG or American Wire Gauge) for safety.** The smaller the gauge number of the wire, the greater the capacity of the cable, that is, 16 gauge has more capacity than 18 gauge. An undersized cord will cause a drop in line voltage resulting in loss of power and overheating. When using more than one extension to make up the total length, be sure each individual extension contains at least the

minimum wire size. The following table shows the correct size to use depending on cord length and nameplate ampere rating. If in doubt, use the next heavier gauge. The lower the gauge number, the heavier the cord.

Minimum Gauge for Cord Sets

Volts		Total Length of Cord in Feet (meters)			
120 V		25 (7.6)	50 (15.2)	100 (30.5)	150 (45.7)
240 V		50 (15.2)	100 (30.5)	200 (61.0)	300 (91.4)
Ampere Rating		American Wire Gauge			
More Than	Not More Than				
0	6	18	16	16	14
6	10	18	16	14	12
10	12	16	16	14	12
12	16	14	12	Not Recommended	



**AVERTISSEMENT :** cet outil peut produire et/ou répandre de la poussière susceptible de causer des dommages sérieux et permanents au système respiratoire. Utiliser systématiquement un appareil de protection des voies respiratoires homologué par le NIOSH ou l'OSHA. Diriger les particules dans le sens opposé au visage et au corps.



**AVERTISSEMENT :** pendant l'utilisation, porter systématiquement une protection auditive individuelle adéquate homologuée ANSI S12.6 (S3.19). Sous certaines conditions et suivant la durée d'utilisation, le bruit émanant de ce produit pourrait contribuer à une perte de l'acuité auditive.

L'étiquette sur votre outil peut inclure les symboles suivants. Voici ces symboles et leur signification :

V .....	volts		Fabrication de classe II (double isolation)
Hz .....	hertz		vitesse à vide
min .....	minutes	n .....	vitesse nominale
— — ou CC .....	courant continu	PSI .....	livres par pouce carré
	Fabrication de classe I (relié à la terre)		borne de terre
... /min .....	par minute		symbole d'alerte de sécurité
BPM .....	battements par minute		rayonnement visible — ne regardez pas la lumière
IPM .....	impacts par minute		portez une protection respiratoire
OPM .....	oscillations par minute		portez une protection oculaire
TR/MIN .....	tours par minute		portez des protections auditives
sfpm .....	pieds surface par minute		lisez toute la documentation
SPM .....	coups par minute		ne pas exposer à la pluie
A .....	ampères		
W .....	watts		
Wh .....	watts/heure		
Ah .....	ampères/heure		
	ou CA .....		
	ou CA/CC .....		
	courant alternatif ou continu		



## MOTEUR

Assurez-vous que la source d'alimentation est conforme aux indications de la plaque signalétique. Une diminution de la tension de plus de 10 % provoquera une perte de puissance et une surchauffe. Les outils DEWALT sont testés en usine; si cet outil ne fonctionne pas, veuillez vérifier la source d'alimentation.

## ASSEMBLAGE ET AJUSTEMENTS

**AVERTISSEMENT :** afin de réduire le risque de blessure corporelle grave, éteignez l'outil et retirez le bloc-piles avant d'effectuer tout ajustement ou de retirer/installer des pièces ou des accessoires, lorsque vous remplacez ou avant de nettoyer. Un démarrage accidentel peut causer des blessures.

### Fixation du Papier Abrasif (Fig. B - E)

**MISE EN GARDE :** Éteignez l'outil et débranchez-le avant tout réglage, tout retrait ou toute installation d'accessoires. Assurez-vous que l'interrupteur est en position OFF.

Votre ponceuse est conçue pour 1/4 de la taille des feuilles abrasives. Des feuilles de papier abrasif pré-coupées de 11 cm (4 1/2 po) x 14 cm (5 1/2 po) peuvent être achetées.

### POUR PRÉPARER DES FEUILLES DE PAPIER ABRASIF DE 11 cm (4 1/2 po) x 14 cm (5 1/2 po)

- Coupez les feuilles de papier abrasif de 23 cm (9 po) x 28 cm (11 po) en 4 morceaux égaux de 11 cm (4 1/2 po) x 14 cm (5 1/2 po).
- Coupez la moitié d'une feuille de papier abrasif en 2 morceaux égaux de 11 cm (4 1/2 po) x 14 cm (5 1/2 po).

### FIXATION DE FEUILLES DE PAPIER ABRASIF

Pour assurer un bon fonctionnement, veuillez fixer le papier abrasif dans l'appareil comme suit.

- Ramollissez le papier abrasif devenu rigide en le frottant contre un angle de 90 ° d'une table ou d'un autre angle droit, comme cela est indiqué à la Figure B. Assurez-vous de ramollir surtout les bords à pincer.
- Relâchez la pince de fixation arrière **6** en dégageant les leviers de fixation latéraux **7** et dégagez-les des pattes **8** de la semelle/du tampon **4** comme cela est indiqué à la Figure 3.
- Dégagez la pince de fixation frontale **2** (Fig. D) en exerçant une pression sur le bouton de la pince frontale **3** tout en insérant le bord du papier abrasif de 11,43 mm (4 1/2 po) sous la pince à papier frontale jusqu'à ce qu'il atteigne le bord recourbé **5**. Relâchez la pince de fixation frontale pour fixer la partie frontale du papier.
- Étendez le papier sur semelle/le tampon et commencez à faire pivoter la pince de fixation arrière jusqu'à la position de verrouillage. Verrouillez un des leviers de fixation latéraux en le positionnant derrière la patte **8** (Fig. E) sur la semelle/le tampon et puis répétez avec l'autre levier de fixation latéral.

- Si vous utilisez le dispositif d'extraction de poussière, veuillez perforer le papier abrasif (voir Perforation du papier).

### Perforation du papier (Fig. F, G)

**ATTENTION:** éteignez et retirez le bloc-piles de l'outil avant d'effectuer tout ajustement ou de retirer ou d'installer des fixations ou des accessoires. Assurez-vous que l'interrupteur est en position OFF.

Un poinçon du papier **12** est fourni avec votre ponceuse pour vous laisser perforer le papier abrasif régulier afin de rendre le dépoussiérage possible.

### Pour perforer votre papier abrasif

Installez le papier abrasif sur l'outil comme indiqué dans le guide. Lorsque la ponceuse est éteinte et batterie retirée, placez la plaque à poinçon sur le papier de sorte que les bords de la plaque à poinçon soient en contact avec deux des bords du papier abrasif, tout comme cela est indiqué. Appuyez la plaque à poinçon sur le tampon de sorte que les 8 pointes pénètrent dans le papier, comme cela est indiqué à la Figure F. (Appuyez le plus possible la plaque à poinçon contre le tampon.) Enlevez la plaque à poinçon et le papier est prêt.

Une autre façon de perforer le papier est de bien fixer la plaque à poinçon sur une surface de travail adéquate. Il y a deux orifices qui sont prévus à cet effet dans la plaque à poinçon. Utilisez des vis à tête plate n° 8. Appuyez la ponceuse (avec le papier en place) vers le bas sur la plaque à poinçon.

### Extraction de la poussière (Fig. A, H)

**AVERTISSEMENT :** la poussière de ponçage recueillie des revêtements de surfaces poncés (polyuréthane, huile de lin, etc.) peut s'enflammer dans le sac de poussière de ponceuse ou ailleurs et causer un incendie. Afin de réduire le risque, videz souvent le sac et suivez strictement les instructions de la ponceuse et du fabricant du revêtement.

La ponceuse est pourvue d'un adaptateur d'extraction incorporée **9** qui permet d'installer le sac à poussière fourni **10** ou un système d'aspiration d'atelier. Le goulot d'évacuation incorporé utilise une connexion AirLock de DEWALT qui est compatible avec l'extracteur de poussière DEWALT.

### Pour installer le sac à poussière

- En tenant la ponceuse en main, fixez le col du sac à poussière **11** à l'adaptateur d'extraction comme indiqué à la Fig. H.
- Tournez le col dans le sens des aiguilles d'une montre pour verrouiller le sac à poussière.

### Pour vider le sac à poussière

- En tenant la ponceuse en main, tournez le col dans le sens inverse des aiguilles d'une montre pour déverrouiller le sac à poussière.
- Enlevez le sac à poussière de la ponceuse et agitez doucement ou tapotez sur le sac à poussière pour le vider.

3. Posez à nouveau le sac à poussière en place au goulot d'évacuation et verrouillez en tournant le col du sac à poussière dans le sens des aiguilles d'une montre.

Vous remarquerez que vous n'avez pas éliminé toute la poussière du sac. Cela n'affectera pas le fonctionnement de la ponceuse, mais réduira la capacité d'extraction de poussière. Pour récupérer toute l'efficacité du sac à poussière, appuyez sur le ressort intérieur du sac lorsque vous le videz et heurtez délicatement le col du sac sur les côtés de la poubelle ou du conteneur à poussière.

**⚠ MISE EN GARDE : Il ne faut jamais faire fonctionner ces outils sans le sac à poussière.**

*L'échappement de poussière de ponçage peut provoquer des problèmes respiratoires.*

## FONCTIONNEMENT

**⚠ AVERTISSEMENT : afin de réduire le risque de blessure corporelle grave, éteignez l'outil et retirez le bloc-piles avant de transporter, d'effectuer tout ajustement, de nettoyer, de réparer ou de retirer/installer des pièces ou des accessoires. Un démarrage accidentel peut causer des blessures.**

### Interrupteur (Fig. A)

Allumez l'appareil en appuyant sur le côté de l'interrupteur qui est protégé contre la poussière **I**, ce qui correspond au symbole « I ». Allumez l'appareil en appuyant sur le côté de l'interrupteur qui correspond au symbole « O ».

### Position correcte des mains (Fig. I, J)

**AVIS :** Cette ponceuse ne doit pas être utilisée sur des cloisons sèches.

1. Pour utiliser la ponceuse, empoignez-la comme cela est indiqué à la Figure I or J et mettez-la en marche.
  2. Déplacez-la par des mouvements longs et balayés sur la surface à poncer en laissant la ponceuse faire le travail pour vous. Si vous appuyez sur l'outil pendant le ponçage, vous ralentirez en fait le travail et obtiendrez une moins bonne surface. Vérifiez souvent la qualité du travail, cette ponceuse peut éliminer rapidement du matériel, surtout du papier brut.
- Cette ponceuse est conçue pour poncer à ras sur trois côtés dans des coins et sa petite taille et sa légèreté la rendent idéale pour le travail en contre-haut.
  - L'action orbitale de cette ponceuse vous permet de poncer dans le sens du grain ou dans n'importe quel angle pour la plupart des travaux de ponçage. À l'étape finale du ponçage, comme nous le disions auparavant, on obtiendra une meilleure finition en ponçant dans le sens du grain du bois.
  - Pour optimiser la finition, commencer le ponçage avec un papier abrasif à gros grains puis diminuer graduellement à du papier fin et super fin. Un ponçage final avec un morceau de papier abrasif très usé permettra d'obtenir une finition de qualité professionnelle qui, dans bien des cas, ne requerra aucun ponçage manuel. La vitesse à laquelle le sac à poussière se remplit dépendra du

matériel à poncer et de la grosseur du grain du papier abrasif. Pour obtenir de meilleurs résultats, il convient de vider souvent le sac et de s'assurer que le col du sac n'est pas obstrué.

- Lorsque vous ponchez des surfaces peintes, il peut se produire une accumulation de poussière de peinture qui obstrue l'entrée du sac. Pour obtenir de meilleurs résultats, appliquez peinture avant de poncer avec un pistolet thermique. SUIVEZ TOUTES LES CONSIGNES DE SÉCURITÉ DU MODE D'EMPLOI DU PISTOLET THERMIQUE.

## Mesures de précaution concernant le ponçage de peinture

Le ponçage de peintures à base de plomb n'est PAS RECOMMANDÉ puisqu'il est trop difficile de maîtriser la poussière contaminée. Les enfants et les femmes enceintes courent le plus grand risque d'intoxication par le plomb. Puisqu'il est difficile de savoir, sans effectuer une analyse chimique, si une peinture contient du plomb, on recommande de suivre les mesures de précaution décrites ci-après :

### 1. SÉCURITÉ PERSONNELLE

- S'assurer que les enfants et les femme enceintes n'entrent pas dans l'aire de travail avant qu'elle n'ait été nettoyée à fond.
- Toute personne qui entre dans l'aire de travail doit porter un masque anti-poussière ou un appareil respiratoire; le filtre doit être remplacé chaque jour ou lorsque la respiration devient difficile. Se renseigner auprès de son quincaillier local pour obtenir la liste des masques anti-poussières approuvés par le NIOSH.
- NE PAS MANGER, BOIRE OU FUMER sur les lieux de travail pour prévenir l'ingestion de particules de peinture contaminées. Il est recommandé aux ouvriers de se laver et nettoyer AVANT de manger, boire ou fumer. Ne pas laisser sur les lieux de travail, là où la poussière pourrait s'y déposer, toute nourriture, boisson, cigarette ou autre produit de consommation.

### 2. RESPECT DE L'ENVIRONNEMENT

- Enlever la peinture de manière à réduire au minimum la quantité de poussière générée.
- Sceller les zones où on enlève la peinture au moyen de grandes feuilles de plastique d'une épaisseur de 4 mils.
- Effectuer le ponçage de manière à éviter autant que possible de traîner de la poussière à l'extérieur de l'aire de travail.

### 3. ENTRETIEN ET RANGEMENT

- Passer quotidiennement l'aspirateur sur les lieux de travail et les nettoyer soigneusement pendant toute la durée du projet de ponçage. Changer fréquemment les filtres d'aspirateur.
- Recueillir toute toile de protection plastifiée utilisée et s'en défaire avec toute particule de poussière ou autre débris à éliminer. Les placer dans un contenant pour déchets et s'en défaire suivant la procédure

normale d'élimination des ordures. Pendant le nettoyage, maintenir éloigné de la zone immédiate de travail les enfants ou les femmes enceintes.

- Nettoyer soigneusement jouet, meuble lavable ou tout ustensile utilisé par les enfants avant toute nouvelle réutilisation.

## Entretien des outils

- Conservez votre appareil aussi propre que possible en l'essuyant avec un linge propre et en y projetant de l'air après toutes les 5 heures de travail.
- N'utilisez pas de produits chimiques agressifs ou des solvants pour nettoyer l'outil. Ces produits chimiques peuvent sérieusement endommager les surfaces plastiques.
- Évitez de surcharger la ponceuse. La surcharge entraînera une réduction considérable de la vitesse et de l'efficacité et l'appareil chauffera. Si cela se produit, faites fonctionner la ponceuse « à vide » pendant une ou deux minutes.
- L'inspection du balai et son remplacement doivent être faits par un représentant local ou un centre de réparation autorisé.

## ENTRETIEN



**AVERTISSEMENT : afin de réduire le risque des blessures corporelles graves, arrêtez l'appareil et disconnect it from power source avant d'effectuer tout réglage ou de retirer/installer des pièces ou des accessoires. Un démarrage accidentel peut causer des blessures.**

Votre chariot DEWALT a été conçu pour fonctionner sur une longue période avec un minimum d'entretien. Un fonctionnement satisfaisant continu dépend de l'entretien approprié et d'un nettoyage régulier de l'outil.

## Nettoyage



**AVERTISSEMENT : enlever les saletés et la poussière hors des événements au moyen d'air comprimé propre et sec, au moins une fois par semaine. Pour minimiser le risque de blessure aux yeux, toujours porter une protection oculaire conforme à la norme ANSI Z87.1 lors du nettoyage.**



**AVERTISSEMENT : ne jamais utiliser de solvants ni d'autres produits chimiques puissants pour nettoyer les pièces non métalliques de l'outil. Ces produits chimiques peuvent affaiblir les matériaux de plastique utilisés dans ces pièces. Utiliser un chiffon humecté uniquement d'eau et de savon doux. Ne jamais laisser de liquide pénétrer dans l'outil et n'immerger aucune partie de l'outil dans un liquide.**

## Accessoires



**AVERTISSEMENT : les accessoires autres que DEWALT n'ayant pas été testés avec ce produit, leur utilisation avec cet outil peut s'avérer dangereuse. Pour réduire le risque de blessure, seuls les accessoires recommandés par DEWALT doivent être utilisés avec ce produit.**

Les accessoires recommandés pour utilisation avec cet outil sont disponibles à un coût supplémentaire chez votre détaillant local ou dans un centre de services autorisé. Si vous

avez besoin d'aide pour localiser un accessoire, contactez DEWALT. Appelez au **1-800-4-DEWALT (1-800-433-9258)** ou consultez notre site web : [www.dewalt.com](http://www.dewalt.com).

## Graissage

Des paliers autolubrifiants sont utilisés dans cet outil et il n'est donc pas nécessaire de les lubrifier à nouveau. Cela dit, il convient, une fois par année, de confier votre outil à un centre de réparation qui fera un nettoyage et une inspection à fond.

## Réparation

Pour assurer la SÉCURITÉ et la FIABILITÉ du produit, les réparations, l'entretien et les réglages (y compris l'inspection et le remplacement du balai) doivent être réalisés par un centre de réparation en usine DEWALT, un centre de réparation agréé DEWALT ou par d'autres techniciens qualifiés. Toujours utiliser des pièces de rechange identiques.

## Enregistrez-vous en ligne

Nous vous remercions de votre achat. Enregistrez votre produit maintenant pour :

- **SERVICE DE GARANTIE :** l'enregistrement de votre produit en ligne vous aide à obtenir un service de garantie efficace au cas où vous auriez un problème avec votre produit.
- **CONFIRMATION DE PROPRIÉTÉ :** en cas de pertes liées aux assurances telles qu'un incendie, une inondation ou un vol, votre enregistrement de propriété servira de preuve de votre achat.
- **POUR VOTRE SÉCURITÉ :** l'enregistrement de votre produit nous permet de vous contacter dans le cas peu probable d'une notification de sécurité requise selon le Federal Consumer Safety Act.
- Inscrivez-vous en ligne sur [www.dewalt.com](http://www.dewalt.com).

## Garantie limitée de trois ans

Pour les conditions de la garantie, consultez le site <https://www.dewalt.com/support/warranty>.

Pour demander une copie écrite des conditions de la garantie, contactez : service à la clientèle chez DEWALT Industrial Tool Co., 701 East Joppa Road, Towson, MD 21286 ou appelez le **1-800-4-DEWALT (1-800-433-9258)**.

**AMÉRIQUE LATINE :** la présente garantie ne s'applique pas aux produits vendus en Amérique Latine. Pour les produits vendus en Amérique Latine, consultez les renseignements sur la garantie particulière au pays comprise dans l'emballage, appelez l'entreprise locale ou consultez le site Web pour les renseignements complets sur la garantie.

**REMPLACEMENT DES ÉTIQUETTES D'AVERTISSEMENT GRATUIT :** si vos étiquettes d'avertissement deviennent illisibles ou sont manquantes, appelez au **1-800-4-DEWALT (1-800-433-9258)** pour un remplacement gratuit.





**ADVERTENCIA:** Lea todas las advertencias de seguridad e instrucciones. El incumplimiento de las advertencias e instrucciones puede provocar descargas eléctricas, incendios o lesiones graves.



**ADVERTENCIA:** Para reducir el riesgo de lesiones, lea el manual de instrucciones.

## Uso Pretendido

Esta lijadora de cuarto de hoja está diseñada para lijar madera, metal, plástico y superficies pintadas.

**NO** use bajo condiciones húmedas o en presencia de líquidos o gases inflamables.

**NO** permita que niños estén en contacto con la herramienta. Se requiere supervisión cuando operadores sin experiencia operen esta herramienta.

## Definiciones: Símbolos y Palabras de Alerta de Seguridad

Las siguientes definiciones describen el nivel de gravedad de cada palabra de advertencia. Lea el manual de la herramienta eléctrica y preste atención a estos símbolos.



**PELIGRO:** Indica una situación de peligro inminente que, si no se evita, **provocará la muerte o lesiones graves.**



**ADVERTENCIA:** Indica una situación de peligro potencial que, si no se evita, **podría provocar la muerte o lesiones graves.**



**ATENCIÓN:** Indica una situación de peligro potencial que, si no se evita, **posiblemente provocaría lesiones leves o moderadas.**



**AVISO:** Se refiere a una práctica **no relacionada a lesiones corporales** que de no evitarse **puede** resultar en **daños a la propiedad.**

(Utilizado sin palabras) Indica un mensaje de seguridad relacionado.

## ADVERTENCIAS GENERALES DE SEGURIDAD PARA HERRAMIENTAS ELÉCTRICAS



**ADVERTENCIA:** Lea todas las advertencias de seguridad, instrucciones, ilustraciones y especificaciones incluidas con esta herramienta eléctrica. La falla en seguir todas las instrucciones siguientes puede resultar en descarga eléctrica, incendio y/o lesiones serias.

### CONSERVE TODAS LAS ADVERTENCIAS E INSTRUCCIONES PARA FUTURAS CONSULTAS.

El término "herramienta eléctrica" incluido en las advertencias hace referencia a las herramientas eléctricas operadas con corriente (con cable eléctrico) o a las herramientas eléctricas operadas con baterías (inalámbricas).

### 1) Seguridad en el Área de Trabajo

- Mantenga el área de trabajo limpia y bien iluminada.** Las áreas abarrotadas y oscuras propician accidentes.

- No opere las herramientas eléctricas en atmósferas explosivas, como ambientes donde haya polvo, gases o líquidos inflamables.** Las herramientas eléctricas originan chispas que pueden encender el polvo o los vapores.
- Mantenga alejados a los niños y a los espectadores de la herramienta eléctrica en funcionamiento.** Las distracciones pueden provocar la pérdida de control.

### 2) Seguridad Eléctrica

- Los enchufes de la herramienta eléctrica deben adaptarse al tomacorriente. Nunca modifique el enchufe de ninguna manera. No utilice ningún enchufe adaptador con herramientas eléctricas con conexión a tierra.** Los enchufes no modificados y que se adaptan a los tomacorrientes reducirán el riesgo de descarga eléctrica.
- Evite el contacto corporal con superficies con descargas a tierra como, por ejemplo, tuberías, radiadores, cocinas eléctricas y refrigeradores.** Existe mayor riesgo de descarga eléctrica si su cuerpo está puesto a tierra.
- No exponga las herramientas eléctricas a la lluvia o a condiciones de humedad.** Si entra agua a una herramienta eléctrica, aumentará el riesgo de descarga eléctrica.
- No maltrate el cable. Nunca utilice el cable para transportar, tirar o desenchufar la herramienta eléctrica. Mantenga el cable alejado del calor, el aceite, los bordes filosos y las piezas móviles.** Los cables dañados o enredados aumentan el riesgo de descarga eléctrica.
- Al operar una herramienta eléctrica en el exterior, utilice un cable prolongador adecuado para tal uso.** Utilice un cable adecuado para uso en exteriores a fin de reducir el riesgo de descarga eléctrica.
- Si el uso de una herramienta eléctrica en un lugar húmedo es imposible de evitar, utilice un suministro protegido con un interruptor de circuito por falla a tierra (GFCI).** El uso de un GFCI reduce el riesgo de descargas eléctricas.

### 3) Seguridad Personal

- Permanezca alerta, controle lo que está haciendo y utilice el sentido común cuando emplee una herramienta eléctrica. No utilice una herramienta eléctrica si está cansado o bajo el efecto de drogas, alcohol o medicamentos.** Un momento de descuido mientras se opera una herramienta eléctrica puede provocar lesiones personales graves.
- Utilice equipos de protección personal. Siempre utilice protección para los ojos.** En las condiciones adecuadas, el uso de equipos de protección, como máscaras para polvo, calzado de seguridad antideslizante, cascos o protección auditiva, reducirá las lesiones personales.
- Evite el encendido por accidente. Asegúrese de que el interruptor esté en la posición de**

**apagado antes de conectarlo a la fuente de energía o paquete de baterías, o antes de levantar o transportar la herramienta.** Transportar herramientas eléctricas con el dedo apoyado en el interruptor o enchufar herramientas eléctricas con el interruptor en la posición de encendido puede propiciar accidentes.

- d) **Retire la clavija de ajuste o la llave de tuercas antes de encender la herramienta eléctrica.** Una llave de tuercas o una clavija de ajuste que quede conectada a una pieza giratoria de la herramienta eléctrica puede provocar lesiones personales.
- e) **No se estire. Conserve el equilibrio y párese adecuadamente en todo momento.** Esto permite un mejor control de la herramienta eléctrica en situaciones inesperadas.
- f) **Use la vestimenta adecuada. No use ropas holgadas ni joyas. Mantenga el cabello, la ropa y los guantes alejados de las piezas en movimiento.** Las ropas holgadas, las joyas o el cabello largo pueden quedar atrapados en las piezas en movimiento.
- g) **Si se suministran dispositivos para la conexión de accesorios con fines de recolección y extracción de polvo, asegúrese de que estén conectados y que se utilicen correctamente.** El uso de dispositivos de recolección de polvo puede reducir los peligros relacionados con el polvo.
- h) **No permita que la familiaridad obtenida a partir del uso frecuente de herramientas le permitan volverse descuidado e ignorar los principios de seguridad de la herramienta.** Una acción descuidada puede causar lesiones severas en una fracción de segundo.

#### 4) Uso y Mantenimiento de la Herramienta Eléctrica

- a) **No fuerce la herramienta eléctrica. Utilice la herramienta eléctrica correcta para el trabajo que realizará.** Si se la utiliza a la velocidad para la que fue diseñada, la herramienta eléctrica correcta permite trabajar mejor y de manera más segura.
- b) **No utilice la herramienta eléctrica si no puede encenderla o apagarla con el interruptor.** Toda herramienta eléctrica que no pueda ser controlada mediante el interruptor es peligrosa y debe repararse.
- c) **Desconecte el enchufe de la fuente de alimentación y/o retire la batería, o paquete si es desmontable, de la herramienta eléctrica antes de realizar cualquier ajuste, cambiar accesorios o almacenar herramientas eléctricas.** Estas medidas de seguridad preventivas reducen el riesgo de encender la herramienta eléctrica en forma accidental.
- d) **Guarde la herramienta eléctrica que no esté en uso fuera del alcance de los niños y no permita que otras personas no familiarizadas con ella o con estas instrucciones operen la herramienta.** Las herramientas eléctricas son peligrosas si son operadas por usuarios no capacitados.

- e) **Dé mantenimiento a las herramientas eléctricas y accesorios. Revise que no haya piezas en movimiento mal alineadas o trabadas, piezas rotas o cualquier otra situación que pueda afectar el funcionamiento de la herramienta eléctrica. Si encuentra daños, haga reparar la herramienta eléctrica antes de utilizarla.** Se producen muchos accidentes a causa de las herramientas eléctricas que carecen de un mantenimiento adecuado.
- f) **Mantenga las herramientas de corte afiladas y limpias.** Las herramientas de corte con mantenimiento adecuado y con los bordes de corte afilados son menos propensas a trabarse y son más fáciles de controlar.
- g) **Utilice la herramienta eléctrica, los accesorios y las brocas de la herramienta, etc. de acuerdo con estas instrucciones y teniendo en cuenta las condiciones de trabajo y el trabajo que debe realizarse.** El uso de la herramienta eléctrica para operaciones diferentes de aquéllas para las que fue diseñada podría originar una situación peligrosa.
- h) **Mantenga las manijas y superficies de sujeción secas, limpias y libres de aceite y grasa.** Las manijas y superficies de sujeción resbalosas no permiten el manejo y control seguros de la herramienta en situaciones inesperadas.

#### 5) Mantenimiento

- a) **Solicite a una persona calificada en reparaciones que realice el mantenimiento de su herramienta eléctrica y que sólo utilice piezas de repuesto idénticas.** Esto garantizará la seguridad de la herramienta eléctrica.

#### Instrucciones de Seguridad Adicionales para Lijadoras

- **Al lijar, lleve siempre protección ocular y respiratoria.**
- **No se recomienda el lijado de pintura con base de plomo.** Ver Precauciones para el lijado de pintura para mayor información antes de lijar pintura.
- **No opere la unidad el sistema de recolección de polvo.**
- **Limpie su herramienta periódicamente.**
- **Vacíe frecuentemente la bolsa de polvo, especialmente cuando lije superficies revestidas de resina tales como poliuretano, barniz, goma laca, etc.** Elimine las partículas de polvo siguiendo las directrices del fabricante del acabado, o colóquelas en una lata de metal bien cerrada con tapa. Extraiga diariamente las partículas de polvo de revestimiento de las instalaciones. La acumulación de partículas de polvo fino de lijado puede encenderse y causar un incendio.

#### Información de Seguridad Adicional



**ADVERTENCIA:** Nunca modifique la herramienta eléctrica o ninguna parte de ella. Podría resultar en daño o lesiones personales.



**ADVERTENCIA: SIEMPRE** use gafas de seguridad. Las gafas de uso diario NO son gafas de seguridad.

También use una careta o máscara de polvo si la operación produce polvo. SIEMPRE USE EQUIPO DE SEGURIDAD CERTIFICADO:

- Protección para los ojos ANSI Z87.1 (CAN/CSA Z94.3),
- Protección auditiva ANSI S12.6 (S3.19),
- Protección respiratoria NIOSH/OSHA/MSHA.



**ADVERTENCIA:** Algún polvo creado por lijado, aserrado, pulido, perforación eléctricos y otras actividades de construcción contienen químicos conocidos por el Estado de California como causantes de cáncer, defectos de nacimiento u otros daños reproductivos. Algunos ejemplos de estos químicos son:

- plomo a partir de pinturas a base de plomo,
- sílice cristalino de ladrillos y cemento y otros productos de mampostería, y
- arsénico y cromo a partir de madera tratada químicamente.

Su riesgo a partir de estas exposiciones varía, dependiendo de qué tan a menudo realice este tipo de trabajo. Para reducir su exposición a estos químicos: trabaje en un área bien ventilada, y trabaje con equipo de seguridad aprobado, tal como máscaras de polvo que estén diseñadas específicamente para filtrar partículas microscópicas.

- **Use ropa de protección y lave las áreas expuestas con agua y jabón.** Permitir que el polvo entre en su boca, ojos, o que quede sobre la piel puede promover la absorción de químicos peligrosos. Dirija las partículas lejos de la cara y el cuerpo.



**ADVERTENCIA:** Siempre use protección auditiva personal adecuada que cumpla con ANSI S12.6 (S3.19) durante el uso. Bajo algunas condiciones y duración de uso, el ruido de este producto puede contribuir con la pérdida auditiva.

- **Use la aspiradora de extracción de polvo adecuada para retirar la mayoría de polvo estático y transportado por aire.** La falla en retirar el polvo estático y transportado por aire podría contaminar el ambiente de trabajo y presentar un riesgo de salud mayor al operador y personas en las cercanías.
- **Use abrazaderas u otras maneras prácticas para asegurar y soportar la pieza de trabajo a una plataforma estable.** Sostener la pieza de trabajo a mano o contra su cuerpo es inestable y puede guiar a la pérdida de control y lesiones.
- **Las ventilas de aire a menudo cubren las partes móviles y se deben evitar.** La ropa suelta, joyería, o cabello largo podrían quedar atrapados en las partes móviles.
- **An extension cord must have adequate wire size (AWG or American Wire Gauge) for safety.** The smaller the gauge number of the wire, the greater the capacity of the cable, that is, 16 gauge has more capacity than 18 gauge. An undersized cord will cause a drop in line voltage resulting in loss of power and overheating. When using more than one extension to make up the total length, be sure each individual extension contains at least the minimum wire size. The following table shows the correct size to use depending on cord length and nameplate

ampere rating. If in doubt, use the next heavier gauge. The lower the gauge number, the heavier the cord.

**Minimum Gauge for Cord Sets**

Volts	Total Length of Cord in Feet (meters)					
	120 V	25 (7.6)	50 (15.2)	100 (30.5)	150 (45.7)	
240 V	50 (15.2)	100 (30.5)	200 (61.0)	300 (91.4)		
Ampere Rating More Than	Not More Than	American Wire Gauge				
		0	6	18	16	16
6	10	18	16	14	12	
10	12	16	16	14	12	
12	16	14	12	Not Recommended		



**ADVERTENCIA:** La utilización de esta herramienta puede generar polvo o dispersarlo, lo que podría causar daños graves y permanentes al sistema respiratorio, así como otras lesiones. Siempre use protección respiratoria aprobada por NIOSH (Instituto Nacional de Seguridad y Salud en el Trabajo) u OSHA (Administración de Seguridad y Salud en el Trabajo) apropiada para la exposición al polvo. Dirija las partículas en dirección contraria a la cara y el cuerpo.



**ADVERTENCIA:** Siempre lleve la debida protección auditiva personal en conformidad con ANSI S12.6 (S3.19) durante el uso de esta herramienta. Bajo algunas condiciones y duraciones de uso, el ruido producido por este producto puede contribuir a la pérdida auditiva.

La etiqueta en su herramienta puede incluir los siguientes símbolos. Los símbolos y sus definiciones son los siguientes:

- V ..... voltios
- Hz ..... hertz
- min ..... minutos
- — — o CD ..... corriente directa
- Ⓢ ..... Construcción Clase I (conectada a tierra)
- Ⓢ/min ..... por minuto
- BPM ..... golpes por minuto
- IPM ..... impactos por minuto
- OPM ..... oscilaciones por minuto
- RPM ..... revoluciones por minuto
- sfpm ..... pies de superficie por minuto
- SPM ..... carreras por minuto
- A ..... amperios
- W ..... watts
- Wh ..... watt horas
- Ah ..... amperios hora
- ~ o CA ..... corriente alterna
- ⊘ ..... no exponga a la lluvia
- ⚡ o CA/CD ..... corriente alterna o directa
- Ⓢ ..... Construcción Clase II (aislamiento doble)
- n<sub>0</sub> ..... sin carga velocidad
- n ..... velocidad nominal
- PSJ ..... libras por pulgada cuadrada
- ⊕ ..... terminal de tierra
- ⚠ ..... símbolo de alerta de seguridad
- ⚠ ..... radiación visible—no mirar directamente a la luz
- Ⓢ ..... usar protección respiratoria
- Ⓢ ..... usar protección para los ojos
- Ⓢ ..... usar protección auditiva
- Ⓢ ..... lea toda la documentación

## Motor

Asegúrese de que la fuente de energía concuerde con lo que se indica en la placa. Un descenso en el voltaje de más del 10 % producirá una pérdida de potencia y sobrecalentamiento. Todas las herramientas DEWALT son probadas en fábrica; si esta herramienta no funciona, verifique el suministro eléctrico.

## ENSAMBLE Y AJUSTES

**⚠ ADVERTENCIA:** Para reducir el riesgo de lesiones personales, apague la unidad y retire el paquete de batería antes de realizar cualquier ajuste o retirar/instalar conexiones o accesorios, cuando reemplace la línea, o antes de la limpieza. Un arranque accidental puede causar lesiones.

## Instalación del Papel Abrasivo (Fig. B - E)

**⚠ ATENCIÓN:** Apague y desenchufe la herramienta antes de hacer cualquier ajuste o de quitar o instalar accesorios. Asegúrese de que el interruptor esté en posición OFF (apagado).

Su lijadora está diseñada para utilizar hojas de lijado de 1/4. Puede comprar las hojas de papel de lija ya cortadas de 11 x 14 cm (4-1/2 x 5-1/2 pulg.).

### PARA CORTAR EL PAPEL DE LIJA DE 11 x 14 cm (4-1/2 x 5-1/2 pulg.)

- a. Corte un pliego entero de papel de lija (23 x 28 cm o 9 x 11 pulg.) en cuatro hojas de 1/4 de 11 x 14 cm (4-1/2 x 5-1/2 pulg.).
- b. Corte medio pliego de papel de lija en dos hojas de 11 x 14 cm (4-1/2 x 5-1/2 pulg.).

### COLOCACIÓN DEL PAPEL DE LIJA REGULAR

Para el uso regular de la herramienta, instale el papel abrasivo en su unidad de la siguiente manera:

1. Ablande el papel nuevo poniéndolo contra el borde de 90° de una mesa u otro borde recto y tirando de él, como se muestra en la Figura B. Concéntrese en ablandar los bordes que serán sujetados por el dispositivo de sujeción.
2. Libere la abrazadera trasera del papel 6 tirando hacia arriba las palancas de sujeción lateral 7 y desacoplando de las pestañas de sujeción 8 en la placa/almohadilla de base 4 como se muestra en la Figura C.
3. Desacople la abrazadera delantera del papel 2 (Fig. D) aplicando y manteniendo presión en el botón de la abrazadera delantera 3 mientras inserta el borde de 115 mm (4-1/2 pulg.) del papel abrasivo debajo de la abrazadera delantera del papel hasta que toque los canales de retención del papel 5. Libere la abrazadera delantera de papel para sujetar el frente del papel.
4. Estire el papel sobre la placa/almohadilla de base y comience a girar la abrazadera trasera del papel alrededor de su posición de bloqueo. Bloquee una palanca de sujeción lateral colocándola detrás de la pestaña de sujeción 8 (Fig. E) en la placa/almohadilla de base y luego repita con la segunda palanca de abrazadera lateral.

5. Si está utilizando la utilidad de extracción de polvo, perforo el papel de lija (ver Perforador).

## Perforador (Fig. F, G)

**⚠ CAUTION:** Apague y retire el paquete de batería de la herramienta antes de realizar ajustes o retirar o instalar conexiones o accesorios. Asegúrese de que el interruptor esté en posición OFF (apagado).

Se proporciona un punzón de papel 12 con su lijadora para permitirle perforar el papel abrasivo regular para hacer posible la recolección de polvo.

### Para Perforar su Papel Abrasivo

Instale el papel abrasivo en la herramienta como se indica en este manual. Con la lijadora apagada y batería removida, coloque el perforador en el papel de modo que las lengüetas en los bordes del perforador estén contra dos lados adyacentes de la almohadilla de lijado, como se muestra en la figura. Presione el perforador contra la almohadilla de modo que los 8 puntos penetren el papel, como se muestra en la Fig. F. (Presione el perforador contra la almohadilla, lo más que pueda.) Retire el perforador y el papel estará listo.

Otra forma de perforar el papel es fijar el perforador bien a una superficie de trabajo adecuada. El perforador viene con dos orificios para este propósito. Use tornillos de cabeza plana #8. Presione la lijadora (con el papel insertado) contra el perforador.

## Extracción de polvo (Fig. A, H)

**⚠ ADVERTENCIA:** El polvo de lijado recolectado de los recubrimientos de la superficie de lijado (poliuretano, aceite de linaza, etc.) se pueden encender en la bolsa de aire de la lijadora o en otro lugar y causar un incendio. Para reducir el riesgo, vacíe la bolsa frecuentemente y siga estrictamente el manual de la lijadora y las instrucciones del fabricante del recubrimiento.

Su lijadora tiene un adaptador para aspiradoras integrado 9 que permite la conexión de la bolsa de recolección de polvo 10 provista o un sistema de aspiradoras del taller. La salida integrada utiliza la conexión DEWALT AirLock para que sea compatible con el extractor de polvo DEWALT.

### Para colocar la bolsa de recolección de polvo

1. Mientras sostiene la lijadora, coloque el cuello de la bolsa de recolección de polvo 11 al adaptador para aspiradoras como se muestra en la Figura H.
2. Gire el cuello en sentido horario para bloquear la bolsa de recolección de polvo en su lugar.

### Para vaciar la bolsa de recolección de polvo

1. Mientras sujeta la lijadora, gire el cuello (K) en sentido antihorario para desbloquear la bolsa de recolección de polvo.
2. Quite la bolsa de recolección de polvo de la lijadora y sacuda o golpee ligeramente la bolsa para vaciarla.

3. Vuelva a colocar la bolsa de recolección de polvo en la salida y bloquee en su lugar girando el cuello de la bolsa de recolección de polvo en sentido horario.

Existe la posibilidad de que no todo el polvo se salga solo de la bolsa. Esto no afectará el desempeño de la lijadora pero sí reducirá la eficiencia en la recolección de polvo de la lijadora. Para recuperar la eficiencia de recolección de polvo de su lijadora, presione el resorte dentro de la bolsa de recolección de polvo cuando la esté vaciando y golpéela contra el lado del basurero o recipiente de polvo.



**PRECAUCIÓN:** Nunca opere estas herramientas si no tienen el colector de polvo instalado. La expulsión de polvo de lijado podrá provocar un riesgo para la respiración.

## OPERACIÓN



**ADVERTENCIA:** Para reducir el riesgo de lesiones personales severas, apague la unidad y desconéctela de la fuente de energía antes de realizar cualquier ajuste o retirar/instalar conexiones o accesorios. Un arranque accidental puede causar lesiones.

## Conmutador (Fig. A)

Para encender la unidad, presione el conmutador protegido contra polvo ① por el lado con el símbolo "I". Para apagarla, presione el lado del conmutador con el símbolo "O".

## Posición Adecuada de las Manos (Fig. I, J)

**NOTE:** This sander is not to be used in drywall applications.

**AVISO:** Esta lijadora no debe usarse en aplicaciones de yeso.

1. Para operar su lijadora, tómelala como aparece en las Figuras I or J y enciéndala.
  2. Mueva la unidad con desplazamientos de barrido amplios a lo largo de la superficie a lijar, dejando que la lijadora haga el trabajo. Apretar hacia abajo la herramienta mientras se lija disminuye de hecho la velocidad de eliminación y genera una superficie de menor calidad. Verifique los resultados a menudo: esta lijadora puede eliminar material muy rápidamente, especialmente si utiliza papel grueso.
- Su lijadora está diseñada para lijar al ras en tres lados para lijar rincones y su tamaño y peso la hacen ideal para realizar trabajos en altura.
  - La acción orbital de su lijadora le permite lijar en la dirección de la veta o en cualquier ángulo en contra de ella, para la mayoría de los trabajos de lijado. En los últimos pasos de lijado, como se analiza más abajo, tendrá un mejor resultado si sólo lija en la dirección de la veta.
  - Para que el acabado sea el mejor posible, empiece con papel de lija grueso y cambie progresivamente a otros cada vez más finos. Un lijado final con un pedazo de papel de lija bastante desgastado producirá un acabado profesional que en muchos casos no requerirá lijado a mano. La velocidad a la cual se llena la bolsa de recolección de polvo variará de acuerdo al tipo de material a lijar y el grosor del papel de lija. Para mejores

resultados, vacíe la bolsa con frecuencia y revise la apertura para verificar que no haya nada atorado.

- Al lijar superficies pintadas, puede suceder que el papel de lija se cargue y tape con la pintura. Es mucho mejor usar una pistola térmica para eliminar la pintura antes de lijar. SIGA TODAS LAS INSTRUCCIONES DE SEGURIDAD DEL MANUAL DE INSTRUCCIONES DE LA PISTOLA TÉRMICA.

## Precauciones a Tomar Cuando Lije Pintura

El lijado de pinturas con base de plomo NO SE RECOMIENDA debido a la dificultad de control del polvo contaminado. El envenenamiento por plomo es más peligroso para niños y mujeres embarazadas.

Ya que es difícil identificar si una pintura contiene plomo o no, sin antes hacer un análisis químico, le recomendamos que se tomen las siguientes precauciones cuando lije cualquier pintura:

### 1. SEGURIDAD PERSONAL

- Ningún niño o mujer embarazada debería entrar al área de trabajo donde se está lijando la pintura hasta que se termine de limpiar el área.
- Toda persona que entre al área de trabajo debe usar una máscara antipolvo o respirador. El filtro debería ser reemplazado a diario o cuando el usuario tenga dificultades para respirar. Visite su ferretería local para obtener una máscara antipolvo apropiada, aprobada por NIOSH.
- NO se debe COMER, BEBER ni FUMAR en la zona de trabajo, para evitar la ingestión de partículas de pintura contaminadas. Los trabajadores deberán lavarse bien ANTES de comer, beber o fumar. No debe dejarse comida, bebida ni tabaco en la zona de trabajo, donde el polvo se podría posar sobre ellos.

### 2. SEGURIDAD MEDIOAMBIENTAL

- La pintura debe ser quitada de tal manera que se minimice la cantidad de polvo generada.
- Aquellas áreas en las que se está quitando pintura deberían ser selladas con láminas de plástico de 4 mm de grosor.
- El lijado debería hacerse de modo que se reduzca la cantidad de polvo de pintura que se lleve afuera.

### 3. LIMPIEZA Y ELIMINACIÓN

- Todas las superficies de la zona de trabajo deben de ser aspiradas y limpiadas en profundidad todos los días mientras dure el proyecto de lijado. Las bolsas de filtrado de la aspiradora se deben cambiar con frecuencia.
- Disponga de cubiertas plásticas junto con cualquier astilla de polvo u otro desecho del proceso de lijado. Deberán colocarse en un recipiente para desechos sellado y eliminarse de acuerdo con los procedimientos de eliminación de la basura normal. Durante la limpieza, mantenga alejados a niños y mujeres embarazadas de la zona de trabajo.

- Todos los juguetes, muebles lavables y utensilios usados por niños deberán lavarse a fondo antes de volverlos a usar.

## Cuidado de la herramienta

- Mantenga la lijadora tan limpia como sea posible, pasándole un trapo limpio y soplando aire a través de ella cada cinco horas de funcionamiento.
- No utilice químicos o solventes fuertes para limpiar la herramienta. Estos químicos podrían causar graves daños al plástico.
- Evite sobrecargar la lijadora. Las sobrecargas resultarán en una velocidad y eficiencia considerablemente menores y la unidad se calentará. En este caso, opere la lijadora sin carga por uno o dos minutos.
- Su distribuidor local o centro de servicio autorizado debe completar la inspección y reemplazo de las escobillas.

## MANTENIMIENTO



**ADVERTENCIA:** Para reducir el riesgo de lesiones personales serias, apague la unidad y disconnect it from power source antes de realizar cualquier ajuste o retirar/instalar conexiones o accesorios. Un arranque accidental puede causar lesiones.

Su DEWALT ha sido diseñada para funcionar durante un largo período de tiempo con un mínimo de mantenimiento. La operación satisfactoria continua depende del cuidado adecuado de la herramienta y la limpieza regular.

## Limpieza



**ADVERTENCIA:** Sople la suciedad y el polvo de todos los conductos de ventilación con aire seco, al menos una vez por semana. Para reducir el riesgo de lesiones, utilice siempre protección para los ojos aprobada ANSI Z87.1 al realizar esta tarea.



**ADVERTENCIA:** Nunca utilice solventes ni otros químicos abrasivos para limpiar las piezas no metálicas de la herramienta. Estos productos químicos pueden debilitar los materiales plásticos utilizados en estas piezas. Utilice un paño humedecido sólo con agua y jabón neutro. Nunca permita que penetre líquido dentro de la herramienta ni sumerja ninguna de las piezas en un líquido.

## Accesorios



**ADVERTENCIA:** Ya que los accesorios, diferentes a los ofrecidos por DEWALT, no han sido probados con este producto, el uso de tales accesorios con esta herramienta podría ser peligroso. Para reducir el riesgo de lesiones, sólo se deben usar accesorios recomendados por DEWALT con este producto.

Los accesorios recomendados para uso con su herramienta están disponibles por un costo adicional a partir de su distribuidor local o centro de servicio autorizado. Si necesita asistencia para localizar cualquier accesorio, póngase en contacto con DEWALT. Llame al **1-800-4-DEWALT (1-800-433-9258)** o visite nuestro sitio web: [www.dewalt.com](http://www.dewalt.com).

## Lubricación

La herramienta incorpora cojinetes autolubrificantes, por lo que no requiere lubricación periódica. Sin embargo, se recomienda que una vez al año un centro de servicio proceda a una inspección y limpieza a fondo de la herramienta.

## Reparaciones

Para asegurar la SEGURIDAD y la CONFIABILIDAD del producto, las reparaciones, el mantenimiento y los ajustes deben (inclusive inspección y cambio de carbones) ser realizados en un centro de mantenimiento en la fábrica DEWALT, un centro de mantenimiento autorizado DEWALT o por otro personal de mantenimiento calificado. Utilice siempre piezas de repuesto idénticas.

## Registro en Línea

Gracias por su compra. Registre su producto ahora para:

- **SERVICIO EN GARANTÍA:** Si completa esta tarjeta, podrá obtener un servicio en garantía más eficiente, en caso de que exista un problema con su producto.
- **CONFIRMACIÓN DE PROPIEDAD:** En caso de una pérdida que cubra el seguro, como un incendio, una inundación o un robo, el registro de propiedad servirá como comprobante de compra.
- **PARA SU SEGURIDAD:** Si registra el producto, podremos comunicarnos con usted en el caso improbable que se deba enviar una notificación de seguridad conforme a la Federal Consumer Safety Act (Ley Federal de Seguridad de Productos para el Consumidor).
- Registro en línea en [www.dewalt.com](http://www.dewalt.com).

## Garantía limitada de tres años

Para los términos de garantía, visite <https://www.dewalt.com/support/warranty>.

Para solicitar una copia escrita de los términos de garantía, póngase en contacto con: Servicio al Cliente en DEWALT Industrial Tool Co., 701 East Joppa Road, Towson, MD 21286 o llame al **1-800-4-DEWALT (1-800-433-9258)**.

**AMÉRICA LATINA:** Esta garantía no aplica a productos vendidos en América Latina. Para productos vendidos en América Latina, consulte la información de garantía específica contenida en el empaque, llame a la compañía local o consulte la página de Internet respecto a la información de garantía.

### REEMPLAZO GRATUITO DE ETIQUETA DE GARANTÍA:

Si sus etiquetas de advertencia se vuelven ilegibles o faltan, llame al **1-800-4-DEWALT (1-800-433-9258)** para reemplazo gratuito.





DEWALT Industrial Tool Co. 701 East Joppa Road, Towson, MD 21286  
Copyright © 2023

The following are trademarks for one or more DEWALT power tools: the yellow and black color scheme, the "D" shaped air intake grill, the array of pyramids on the handgrip, the kit box configuration, and the array of lozenge-shaped humps on the surface of the tool.