

Before returning this product call

**1-800-4-DEWALT**

IF YOU SHOULD EXPERIENCE A PROBLEM WITH YOUR DEWALT PURCHASE,

**CALL 1-800-4-DEWALT**

IN MOST CASES, A DEWALT REPRESENTATIVE CAN RESOLVE  
YOUR PROBLEM OVER THE PHONE.

IF YOU HAVE A SUGGESTION OR COMMENT, GIVE US A CALL.  
YOUR FEEDBACK IS VITAL TO THE SUCCESS OF DEWALT'S QUALITY  
IMPROVEMENT PROGRAM.

***Questions? Visit us at [www.dewalt.com](http://www.dewalt.com)***

***Des questions ? Rendez nous visite à [www.dewalt.com](http://www.dewalt.com)***

***¿Tiene preguntas? Visítenos en [www.dewalt.com](http://www.dewalt.com)***

**INSTRUCTION MANUAL  
GUIDE D'UTILISATION  
MANUAL DE INSTRUCCIONES**

INSTRUCTIVO DE OPERACIÓN, CENTROS DE SERVICIO Y PÓLIZA DE  
GARANTÍA. **ADVERTENCIA:** LÉASE ESTE INSTRUCTIVO ANTES DE  
USAR EL PRODUCTO.

**DEWALT®**

**DWE7480**

**Heavy-Duty 10" (254 mm) Compact Job Site Table Saw**

**Scie de table de chantier, compacte et industrielle de 254 mm (10 po)**

**Sierra de banco compacta para el lugar de trabajo de 254 mm (10 pulg.)  
de alta resistencia**

## Definitions: Safety Guidelines

The definitions below describe the level of severity for each signal word. Please read the manual and pay attention to these symbols.

**▲DANGER:** Indicates an imminently hazardous situation which, if not avoided, **will** result in **death or serious injury**.

**▲WARNING:** Indicates a potentially hazardous situation which, if not avoided, **could** result in **death or serious injury**.

**▲CAUTION:** Indicates a potentially hazardous situation which, if not avoided, **may** result in **minor or moderate injury**.

**NOTICE:** Indicates a practice **not related to personal injury** which, if not avoided, **may** result in **property damage**.

IF YOU HAVE ANY QUESTIONS OR COMMENTS ABOUT THIS OR ANY DEWALT TOOL, CALL US TOLL FREE AT: **1-800-4-DEWALT (1-800-433-9258)**.

## General Safety Rules


**▲WARNING:** Read all instructions before operating product. Failure to follow all instructions listed below may result in electric shock, fire and/or serious injury.

### SAVE THESE INSTRUCTIONS

**▲WARNING: FOLLOW ALL WIRING CODES** and recommended electrical connections to prevent shock or electrocution.

## Double Insulation

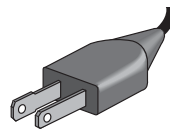
If saw is of double-insulated construction, read the following instructions.

This symbol  represents double insulated construction. Double insulated tools are constructed throughout with two separate layers of electrical insulation or one double thickness of insulation between you and the tool's electrical system. Tools built with this insulation system are not intended to be grounded. As a result, your tool is equipped with a two prong plug which permits you to use extension cords without concern for maintaining a ground connection. Repair or replace damaged or worn cord immediately.

**NOTE:** Double insulation does not take the place of normal safety precautions when operating this tool. The insulation system is for added protection against injury resulting from a possible electrical insulation failure within the tool.

## POLARIZED PLUGS

To reduce the risk of electric shock, this equipment has a polarized plug (one blade is wider than the other). This plug will fit in a polarized outlet only one way. If the plug does not fit fully into the outlet, reverse the plug. If it still does not fit, contact a qualified electrician to install the proper outlet. Do not change the plug in any way.



## Important Safety Instructions

- **TO REDUCE THE RISK OF KICKBACK AND OTHER INJURIES**, use all components of the guarding system (blade guard assembly, riving knife and anti-kickback) for every operation for which they can be used including all through cutting.
- **REMOVE ADJUSTING KEYS AND WRENCHES.** Form habit of checking to see that keys and adjusting wrenches are removed from spindle before turning tool on. Tools, scrap pieces, and other debris can be thrown at high speed, causing injury.
- **KEEP WORK AREA CLEAN.** Cluttered areas and benches invite accidents.

- **DO NOT USE THE MACHINE IN A DANGEROUS ENVIRONMENT.** The use of power tools in damp or wet locations or in rain can cause shock or electrocution. Keep your work area well-lit to avoid tripping or placing arms, hands, and fingers in danger.
- **KEEP CHILDREN AWAY.** All visitors should be kept at a safe distance from work area. Your shop is a potentially dangerous environment.
- **MAKE WORKSHOP CHILDPROOF** with padlocks, master switches, or by removing starter keys. The unauthorized start-up of a machine by a child or visitor may result in injury.
- **DO NOT FORCE TOOL.** It will do the job better and be safer at the rate for which it was designed.
- **USE THE RIGHT TOOL.** Don't force tool or attachment to do a job for which it was not designed. Using the incorrect tool or attachment may result in personal injury.
- **USE PROPER EXTENSION CORD.** Make sure your extension cord is in good condition. If your product is equipped with a cord set, use only three-wire extension cords that have three-prong grounding-type plugs and three-pole receptacles that accept the tool's plug. When using an extension cord, be sure to use one heavy enough to carry the current your product will draw. An undersized cord will cause a drop in line voltage resulting in loss of power and overheating. The following table shows the correct size to use depending on cord length and nameplate ampere rating. If in doubt, use the next heavier gauge. The smaller the gauge number, the heavier the cord.

### MINIMUM GAGE FOR CORD SETS

Volts	Total Length of Cord in Feet			
	0-25	26-50	51-100	101-150
120V	0-25	26-50	51-100	101-150
240V	0-50	51-100	101-200	201-300
Ampere Rating				
More Than		Not more Than		AWG
0 - 6		6 - 10		
18		16		16
18		16		14
16		16		14
14		12		Not Recommended

- **WEAR PROPER APPAREL.** No loose clothing, gloves, neckties, rings, bracelets, or other jewelry to get caught in moving parts. Non-slip footwear is recommended. Wear protective hair covering to contain long hair. Air vents may cover moving parts and should also be avoided.
- **SECURE WORK.** Use clamps to hold work when practical (such as when cutting a zero clearance insert/throat plate). It's safer than using your hand and it frees both hands to operate tool.
- **ALWAYS USE SAFETY GLASSES.** Everyday eyeglasses are NOT safety glasses. Also use face or dust mask if cutting operation is dusty. All users and bystanders MUST ALWAYS wear certified safety equipment:
  - ANSI Z87.1 eye protection (CAN/CSA Z94.3),
  - ANSI S12.6 (S3.19) hearing protection,
  - NIOSH/OSHA/MSHA respiratory protection.
- **DO NOT OVERREACH.** Keep proper footing and balance at all times. Loss of balance may cause personal injury. Do not attempt to retrieve materials near the blade on the saw table while the blade is spinning.
- **MAINTAIN TOOLS WITH CARE.** Keep blades sharp and clean for best and safest performance. Follow instructions for lubricating and changing accessories. Poorly maintained blades and machines can further damage the blade or machine and/or cause injury.

- **TURN THE MACHINE “OFF”, AND DISCONNECT THE MACHINE FROM THE POWER SOURCE** before installing or removing accessories, before adjusting or changing set-ups, when making repairs or changing locations. Do not touch the plug’s metal prongs when unplugging or plugging in the cord. An accidental start-up can cause injury.
- **REDUCE THE RISK OF UNINTENTIONAL STARTING.** Make sure that the switch is in the “OFF” position before plugging in the power cord. In the event of a power failure, move the switch to the “OFF” position. An accidental start-up can cause injury.
- Do not plug into or unplug from power source with wet hands.
- **USE RECOMMENDED ACCESSORIES.** Use only accessories that are recommended by the manufacturer for your model. Accessories that may be suitable for one tool may be hazardous when used on another tool. Consult the instruction manual for recommended accessories. The use of improper accessories may cause risk of injury to persons.
- Magnetic accessories will not work on this saw.
- **NEVER STAND OR SIT ON TOOL.** Serious injury could occur if the tool is tipped or if the cutting tool is unintentionally contacted.
- **CHECK FOR DAMAGED PARTS.** Before further use of the tool, a guard or other part that is damaged should be carefully checked to determine that it will operate properly and perform its intended function—check for alignment of moving parts, binding of moving parts, breakage of parts, mounting and any other conditions that may affect its operation. A guard or other part that is damaged should be properly repaired or replaced. Do not use tool if switch does not turn it on and off. Damaged parts can cause further damage to the machine and/or personal injury.
- **DIRECTION OF FEED.** Feed work into a blade or cutter against the direction of rotation of the blade or cutter only. No cove cutting or freehand cuts.
- **Check for adequate outfeed distance behind the saw to be sure materials can pass unobstructed through the cut.** Work support tables should be placed in proper locations to fully support the material.
- **NEVER LEAVE TOOL RUNNING UNATTENDED. TURN POWER OFF.** Don’t leave tool until it comes to a complete stop. Serious injury can result.
- **DO NOT OPERATE ELECTRIC TOOLS NEAR FLAMMABLE LIQUIDS OR IN GASEOUS OR EXPLOSIVE ATMOSPHERES.** Motors and switches in these tools may spark and ignite fumes.
- **STAY ALERT, WATCH WHAT YOU ARE DOING, AND USE COMMON SENSE. DO NOT USE THE MACHINE WHEN YOU ARE TIRED OR UNDER THE INFLUENCE OF DRUGS, ALCOHOL, OR MEDICATION.** A moment of inattention while operating power tools may result in serious injury.
- **DO NOT ALLOW FAMILIARITY (gained from frequent use of this saw) TO REPLACE SAFETY RULES.** Always remember that a careless fraction of a second is sufficient to inflict severe injury. Use extra caution and stay alert when making repetitive cuts. Turn off saw frequently to clean up saw dust and check adjustments to reduce monotony.
- **KEEP ARMS, HANDS AND FINGERS AWAY** from the blade to prevent serious injury.
- **USE A PUSH STICK THAT IS APPROPRIATE TO THE APPLICATION TO PUSH WORKPIECES THROUGH THE SAW.** A push stick is a wooden or plastic stick, often homemade, that should be used whenever the size or shape of the workpiece would cause you to place your hands within 6" (152 mm) of the blade.
- **USE HOLD-DOWNS, JIGS, FIXTURES OR FEATHER BOARDS TO HELP GUIDE AND CONTROL THE WORKPIECE.** Accessories for use with your tool are available at extra cost from your local dealer or authorized service center. Instructions for making a push stick, a narrow rip auxiliary fence, a push block and feather boards are included in this manual.
- **DO NOT PERFORM RIPPING, CROSSCUTTING OR ANY OTHER OPERATION FREEHAND.**
- **NEVER** reach around or over saw blade.
- **STABILITY.** Make sure the table saw is firmly mounted to a secure surface before use and does not move.
- **NEVER CUT METALS, CEMENT BOARD OR MASONRY.** Certain man-made materials have special instructions for cutting on table saws. Follow the manufacturer’s recommendations at all times. Damage to the saw and personal injury may result.
- **THE PROPER THROAT PLATE MUST BE LOCKED IN PLACE AT ALL TIMES** to reduce the risk of a thrown workpiece and possible injury.
- **USE THE CORRECT SAW BLADE FOR THE INTENDED OPERATION.** The blade must rotate toward the front of the saw. Always tighten the blade arbor nut securely. Before use, inspect the blade for cracks or missing teeth. Do not use a damaged or dull blade.
- **NEVER ATTEMPT TO FREE A STALLED SAW BLADE WITHOUT FIRST TURNING THE MACHINE OFF AND DISCONNECTING THE SAW FROM THE POWER SOURCE.** If a workpiece or cut-off piece becomes trapped inside the blade guard assembly, turn saw off and wait for blade to stop before lifting the blade guard assembly and removing the piece.
- **NEVER START THE MACHINE** with the workpiece against the blade to reduce the risk of a thrown workpiece and personal injury.
- **DO NOT HAVE ANY PART OF YOUR BODY IN LINE WITH THE BLADE.** Personal injury may occur. Stand to either side of the blade.
- **NEVER PERFORM LAYOUT, ASSEMBLY OR SET-UP WORK** on the table/work area when the machine is running. A sudden slip could cause a hand to move into the blade. Severe injury can result.
- **CLEAN THE TABLE/WORK AREA BEFORE LEAVING THE MACHINE.** Lock the switch in the “OFF” position and disconnect from the power source to prevent unauthorized use.
- **ALWAYS** lock the fence and bevel adjustment before cutting.
- **DO NOT leave a long board (or other workpiece) unsupported so the spring of the board causes it to shift on the table resulting in loss of control and possible injury.** Provide proper support for the workpiece, based on its size and the type of operation to be performed. Hold the work firmly against the fence and down against the table surface.
- **IF THIS SAW** makes an unfamiliar noise or if it vibrates excessively, cease operating immediately, turn unit off and disconnect from power source until the problem has been located and corrected. Contact a DEWALT factory service center, a DEWALT authorized service center or other qualified service personnel if the problem cannot be found.
- **USE RECOMMENDED ACCESSORIES.** The use of improper accessories may cause risk of personal injury.
- **DO NOT OPERATE THIS MACHINE** until it is completely assembled and installed according to the instructions. A machine incorrectly assembled can cause serious injury.

### Additional Safety Rules for Table Saws

**⚠WARNING: ALWAYS USE SAFETY GLASSES.** Everyday eyeglasses are NOT safety glasses. Also use face or dust mask if cutting operation is dusty. All users and bystanders MUST ALWAYS wear certified safety equipment:

- ANSI Z87.1 eye protection (CAN/CSA Z94.3),
- ANSI S12.6 (S3.19) hearing protection,
- NIOSH/OSHA/MSHA respiratory protection.

**⚠WARNING:** Do not expose to rain or use in damp locations.

- **AVOID AWKWARD POSITIONS**, where a sudden slip could cause a hand to move into a saw blade.
- **NEVER REACH IN BACK OF, OR AROUND, THE CUTTING TOOL** with either hand to hold down the workpiece.

- **OBTAIN ADVICE** from your supervisor, instructor, or another qualified person if you are not thoroughly familiar with the operation of this machine. Knowledge is safety.
- **ADDITIONAL INFORMATION** regarding the safe and proper operation of power tools (i.e., a safety video) is available from the Power Tool Institute, 1300 Sumner Avenue, Cleveland, OH 44115-2851 (www.powertoolinstitute.com). Information is also available from the National Safety Council, 1121 Spring Lake Drive, Itasca, IL 60143-3201. Please refer to the U.S. Department of Labor OSHA 1910.213 Regulations.

#### TERMS: THE FOLLOWING TERMS WILL BE USED THROUGHOUT THE MANUAL AND YOU SHOULD BECOME FAMILIAR WITH THEM.

- **Thru sawing** refers to any cut that completely cuts through the workpiece.
- **Non-thru sawing** refers to any cut that does not completely cut through the workpiece.
- **Push Stick** refers to a wooden or plastic stick, usually homemade, that is used to push small workpiece through the saw and keeps the operator's hands clear of the blade.
- **Kickback** occurs when the saw blade binds in the cut and violently thrusts the workpiece back toward the operator.
- **Freehand** refers to cutting without the use of a miter gauge or rip fence or any other means of guiding or holding the workpiece other than the operator's hand.  
**⚠WARNING:** Never perform freehand cutting with this saw.
- **Plunge cutting** refers to cutting where the workpiece is either lowered down onto the blade with the workpiece controlled by the user's hands or the workpiece is supported by the user's hands on the table surface and the blade is then raised up through the workpiece.  
**⚠WARNING:** Never perform plunge cutting with this saw.
- **Resawing** - Flipping material to make a cut the saw is not capable of making in one pass.  
**⚠WARNING:** Resawing **IS NOT** recommended.
- **Outfeed** - the distance behind the saw required to pass the material all the way through the cut.

#### SAW BLADE GUARD ASSEMBLY, ANTI-KICKBACK ASSEMBLY AND RIVING KNIFE

Your table saw is equipped with a blade guard assembly, anti-kickback assembly and riving knife that covers the blade and reduces the possibility of accidental blade contact. The riving knife is a flat plate that fits into the cut made by the saw blade and effectively fights kickback by lessening the tendency of the blade to bind in the cut. **The blade guard assembly and anti-kickback assembly can only be used when making thru cuts that sever the wood. When making rabbets and other cuts that make non-thru cuts, the blade guard assembly and anti-kickback assembly must be removed and riving knife lowered to the non through cut position marked on the riving knife.** Two anti-kickback pawls are located on the sides of the riving knife that allow the wood to pass through the blade in the cutting direction but reduce the possibility of the material being thrown backwards toward the operator.

Use all components of the guarding system (blade guard assembly, riving knife and anti-kickback assembly) for every operation for which they can be used including all thru cutting. If you elect not to use any of these components for a particular application exercise additional caution regarding control of the workpiece, the use of push sticks, the position of your hands relative to the blade, the use of safety glasses, the means to avoid kickback and all other warnings contained in this manual and on the saw itself. **Replace the guarding systems as soon as you return to thru cutting operations.** Keep the guard assembly in working order.

#### MAKING A PUSH STICK (Inside Back Cover)

- In order to operate your table saw safely, you must use a push stick whenever the size or shape of the workpiece would cause your hands to be within 6" (152 mm) of the saw blade or other cutter. A push stick is included with this saw.

- No special wood is needed to make additional push sticks as long as it's sturdy and long enough. A length of 15.7" (400 mm) is recommended with a notch that fits against the edge of the workpiece to prevent slipping. It's a good idea to have several push sticks of the same length [15.7" (400 mm)] with different size notches for different workpiece thicknesses.
- See the inside back cover for a picture of a push stick. The shape can vary to suit your own needs as long as it performs its intended function of keeping your hands away from the blade.

#### KICKBACKS

Kickbacks can cause serious injury. A kickback occurs when a part of the workpiece binds between the saw blade and the rip fence, or other fixed object, and rises from the table and is thrown toward the operator. Kickbacks can be avoided by attention to the following conditions.

#### How to Avoid Them and Protect Yourself from Possible Injury

- Be certain that the rip fence is parallel to the saw blade.
- Do not rip by applying the feed force to the section of the workpiece that will become the cut-off (free) piece. Feed force when ripping should always be applied between the saw blade and the fence; use a push stick for narrow work, 6" (152 mm) wide or less.
- Keep saw blade guard assembly, riving knife and anti-kickback assembly in place and operating properly. If anti-kickback assembly is not operational, return your unit to the nearest authorized DEWALT service center for repair. The riving knife must be in alignment with the saw blade and the anti-kickback assembly must stop a kickback once it has started. Check their action before ripping by pushing the wood under the anti-kickback assembly. The teeth must prevent the wood from being pulled toward the front of the saw.
- Plastic and composite (like laminate flooring) materials may be cut on this saw. However, since these are usually quite hard and slippery, the anti-kickback pawls may not stop a kickback. Therefore, be especially attentive to following proper set up and cutting procedures for ripping.
- Use saw blade guard assembly, anti-kickback assembly and riving knife for every operation for which it can be used, including all thru sawing.
- Push the workpiece past the saw blade prior to release.
- NEVER** rip a workpiece that is twisted or warped, or does not have a straight edge to guide along the fence.
- NEVER** saw a large workpiece that cannot be controlled.
- NEVER** use the fence as a guide or length stop when crosscutting.
- NEVER** saw a workpiece with loose knots, flaws, nails or other foreign objects.
- NEVER** rip a workpiece shorter than 10" (254 mm).
- NEVER** use a dull blade – replace or have resharpened.

**⚠WARNING:** Some dust created by power sanding, sawing, grinding, drilling, and other construction activities contains chemicals known to the State of California to cause cancer, birth defects or other reproductive harm. Some examples of these chemicals are:

- lead from lead-based paints,
- crystalline silica from bricks and cement and other masonry products, and
- arsenic and chromium from chemically-treated lumber.

Your risk from these exposures varies, depending on how often you do this type of work. To reduce your exposure to these chemicals: work in a well-ventilated area, and work with approved safety equipment, such as those dust masks that are specially designed to filter out microscopic particles.

- **Avoid prolonged contact with dust from power sanding, sawing, grinding, drilling and other construction activities. Wear protective clothing and wash exposed areas with soap and water.** Allowing dust to get into your mouth, eyes or lay on the skin may promote absorption of harmful chemicals.

**⚠WARNING:** Use of this tool can generate and/or disburse dust, which may cause serious and permanent respiratory or other injury. Always use NIOSH/OSHA approved respiratory protection appropriate for the dust exposure. Direct particles away from face and body. Always operate tool in well-ventilated area and provide for proper dust removal. Use dust collection system wherever possible.

**SAVE THESE INSTRUCTIONS  
FOR FUTURE USE**

**Specifications**

Amperes	15 A	
Miter Angle	60° L and R	
Bevel Angle	-2° to 45° L	
Blade Size	10" (254 mm)	
Max. Cut Depth	0° Bevel	3-1/8" (79 mm)
Max. Cut Depth	45° Bevel	2-1/4" (57 mm)
RPM, no load	4800	

**Unpacking**

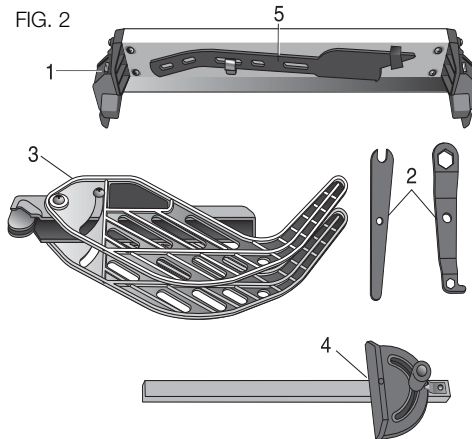
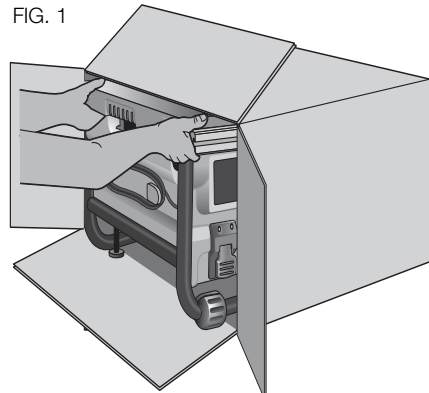
**⚠WARNING:** To reduce the risk of injury, **DO NOT** connect the machine to the power source until the table saw is completely assembled and you read the entire instruction manual.

Open the box and slide the saw out, as shown in Figure 1. Carefully unpack the table saw and all loose items from the carton. Examine all parts to make sure that parts have not been damaged during shipping. If any parts are missing or damaged, contact your dealer to replace them before attempting to assemble the tool.

Refer to Figure 2 for the loose items and hardware included with the saw:

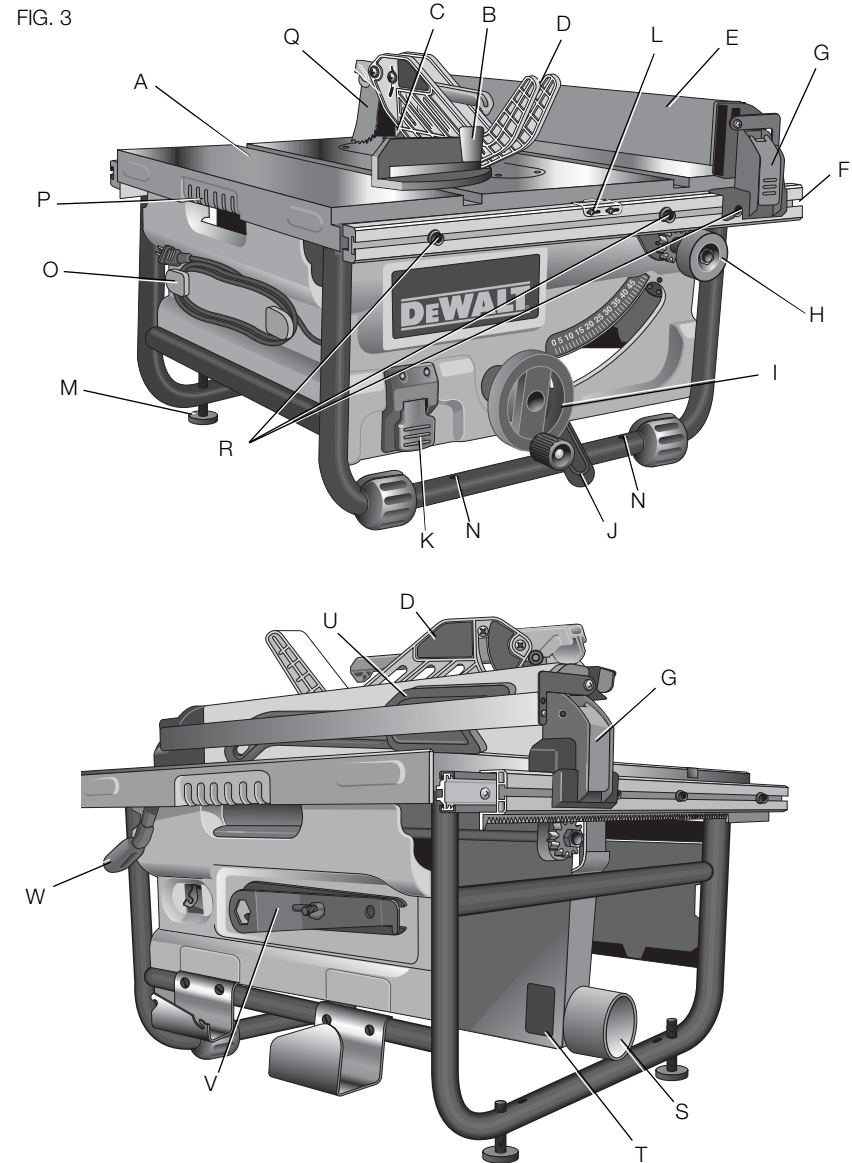
1. Rip fence
2. Arbor wrench and spindle wrench (attached to saw base)
3. Blade guard assembly
4. Miter gauge
5. Push stick (attached to rip fence)

**⚠WARNING:** To reduce the risk of serious personal injury, have push stick ready to use before starting cut.



**FEATURES (Fig. 3)**

Examine Figure 3 to become familiar with the saw and its various parts. The following sections on assembly and adjustments will refer to these terms and you must know what and where the parts are.



- A. Table
- B. Miter gauge
- C. Blade
- D. Blade guard assembly
- E. Fence
- F. Fence rails
- G. Rip fence front/rear latch
- H. Fine adjustment knob
- I. Blade height adjustment wheel
- J. Bevel lock lever
- K. ON/OFF switch
- L. Rip fence indicator
- M. Adjustable feet
- N. Mounting holes
- O. Cord wrap
- P. Handle
- Q. Anti-kickback assembly
- R. Rip fence locator pins
- S. Dust collection port
- T. Dust shroud
- U. Push stick
- V. Arbor wrench, spindle wrench
- W. Rail lock lever

## ASSEMBLY

**⚠WARNING: Shock Hazard.** To reduce the risk of serious personal injury, turn unit off and disconnect machine from power source before attempting to move it, change accessories or make any adjustments.

### ASSEMBLE YOUR SAW IN THE FOLLOWING ORDER

1. Rip fence (**NOTE:** Adjust rip scale before proceeding; refer to *Rip Scale Adjustment* under **Adjustment**.)
2. Position riving knife
3. Anti-kickback assembly
4. Blade guard assembly
5. Miter gauge (if required for application)

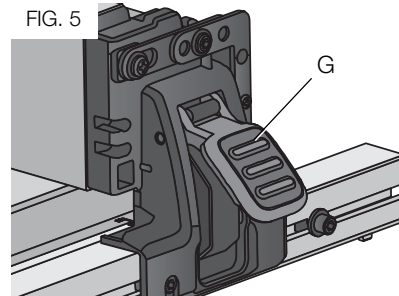
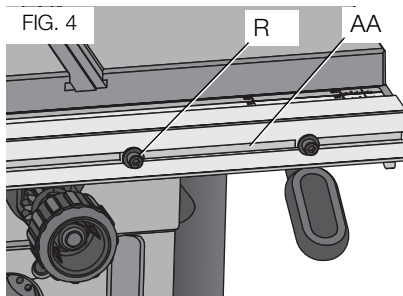
**NOTE:** No tools needed for assembly.

**NOTE:** Wrenches included with this saw are to remove and replace blades.

### Assembling the Rip Fence (Fig. 3–5)

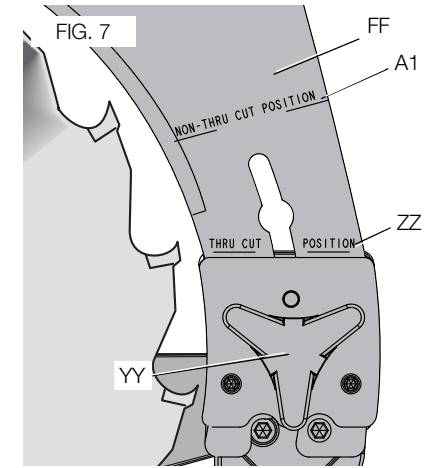
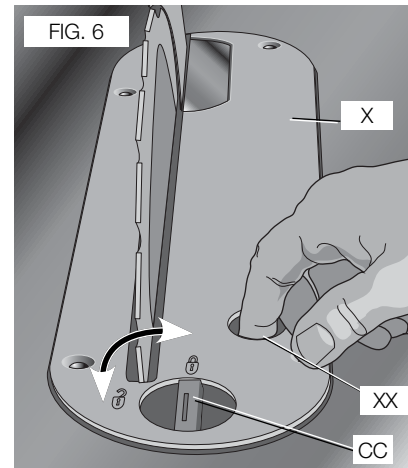
The rip fence can be installed in two positions on the right (Position 1 for 0" to 20" ripping, and Position 2 for 4" to 24" ripping) and one position on the left of your table saw.

1. Align the locator pin (R) on the fence rail with the fence head slot and align the latch (G) with the opening (AA).
2. Secure the rip fence by snapping the latches onto the rails as shown in Figure 5. Be sure to snap both front and rear latches (G) in place.



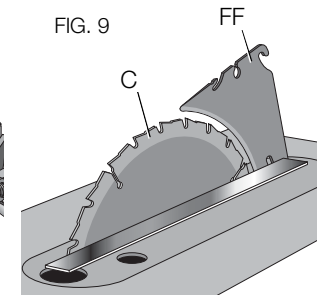
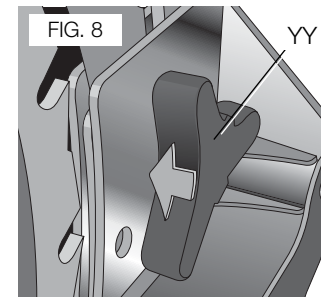
### To Remove the Throat Plate (Fig. 6)

1. Remove the throat plate (X) by turning the cam lock knob (CC) 1/4 turn counterclockwise.
2. Using finger hole (XX) on the plate, pull throat plate up and forward to expose the inside of the saw.



### Positioning the Riving Knife (Fig. 7–9)

1. Raise the saw blade arbor to its maximum height.
2. Loosen the riving knife lock knob (YY) (minimum of three turns).
3. To disengage riving knife lock pin, push lock knob toward the riving knife as indicated by the yellow arrows on the knob.



4. Lift and slide the riving knife to the approximate position indicated by the markings (non-thru and thru-position) on the riving knife and the lock pin will snap into place.
5. Tighten the riving knife lock knob.

**⚠WARNING:** Before connecting the table saw to the power source or operating the saw, always inspect the blade guard assembly and riving knife for proper alignment and clearance with saw blade. Check alignment after each change of bevel angle.

**NOTE:** DO NOT operate saw if riving knife is not locked in the thru cut (ZZ) or non-thru cut position (A1) hole.

When properly aligned, the riving knife will be in line with the blade at both table top level, and at the top of the blade. Using a straight edge, ensure that the blade (C) is aligned with the riving knife (FF) as shown in Figure 9. With power disconnected, operate the blade tilt and height adjustments through the extremes of travel and ensure the blade guard assembly clears the blade in all operations and that the anti-kickback assembly is functioning.

### To Replace the Throat Plate (Fig. 6)

1. Align the throat plate as shown in Figure 6, and insert the tabs on the back of the throat plate into the holes on the back of the table opening.

2. Rotate cam counterclockwise until the front of throat plate drops into place. Secure by rotating cam lock knob (CC) clockwise 1/4 turn (when cam lock is under the table holding the throat plate in place).
3. The throat plate includes four adjustment screws which raise or lower the throat plate. When properly adjusted, the front of the throat plate should be flush or slightly below the surface of the table top and secured in place. The rear of the throat plate should be flush or slightly above the table top.

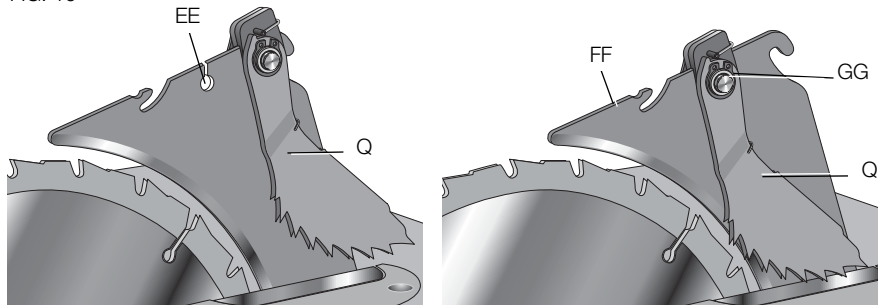
**⚠WARNING:** To reduce the risk of serious personal injury, the throat plate must be locked in place at all times.

### Anti-Kickback Assembly (Fig. 10)

**⚠WARNING:** To reduce the risk of serious personal injury, the anti-kickback assembly must be in place for all possible cuts.

1. Remove the anti-kickback assembly (Q) from the storage position. Refer to **Storage**.
2. Locate the anti-kickback mounting hole and slot (EE) at the top of the riving knife (FF).
3. Slide the anti-kickback housing along the top of the riving knife until the stem (GG) locates the slot above the mounting hole. Depress the stem (GG) on the anti-kickback assembly to allow the assembly to drop into the hole (EE). Push down on the anti-kickback assembly until it snaps into place and locks the assembly. **NOTE:** Pull up on the anti-kickback assembly to ensure it has locked into place.

FIG. 10



### Blade Guard Assembly (Fig. 11, 12)

#### TO ATTACH BLADE GUARD ASSEMBLY

**⚠WARNING:** To reduce the risk of serious personal injury, the blade guard assembly must be in place for all possible cuts.

1. While holding the blade guard assembly (D) in a vertical position slide the locating pin (HH) into the riving knife slot (II) centering the riving knife within the v-shaped notch in the top guard. Refer to Figure 11.
2. Rotate the blade guard assembly toward the front of the saw while keeping the pin (HH) at the top of the riving knife slot. Rotate until the blade guard assembly is parallel to the table. Refer to Figure 12.
3. Press the blade guard lock lever (WW) down until it snaps into the locked position. Check to make sure the guard is locked onto the riving knife. If the guard is not locked the blade guard lock lever will flip up to the unlocked position.

FIG. 11

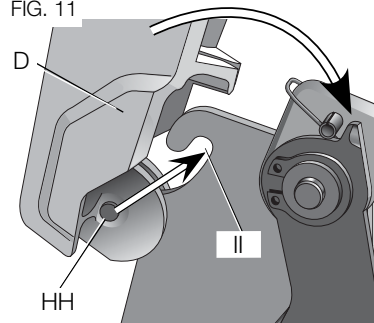


FIG. 12

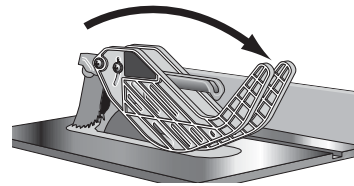


FIG. 12A

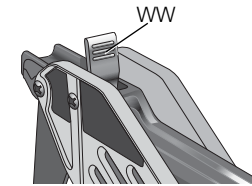
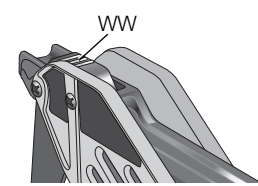


FIG. 12B



#### TO REMOVE BLADE GUARD ASSEMBLY

1. Lift the blade guard assembly lock lever (WW) to the unlocked position.
2. Rotate the guard back and slide pin from riving knife slot.

### Miter Gauge (Fig. 13)

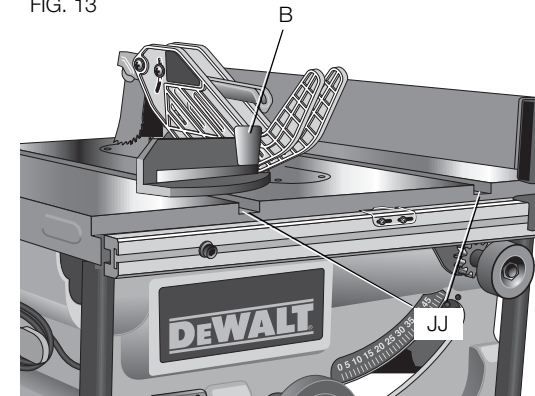
**NOTE:** A large auxiliary miter gauge face may be used.

#### TO ATTACH THE MITER GAUGE

FIG. 13

The DWE7480 includes a miter gauge (B) for crosscutting materials. The miter gauge can be used by inserting into one of the two miter gauge slots (JJ) in the table top.

**NOTE:** See crosscutting and bevel crosscutting instructions before performing these operations on the table saw.



### Bench Mounting

**NOTE:** A portable table saw stand is designed for use with this saw and is available at a local DEWALT dealer or service center at extra cost.

#### TO BENCH MOUNT SAW (FIG. 3)

**⚠WARNING:** To reduce the risk of serious personal injury, turn unit off and disconnect machine from power source before attempting to move it, change accessories or make any adjustments. An accidental start-up can cause injury.

**⚠CAUTION:** To reduce the risk of personal injury, make sure table saw is firmly mounted before use.

The table saw must be mounted firmly. Four mounting holes (N, Fig. 3) are provided in the metal frame for mounting. We strongly recommend that these holes be used to anchor the table saw to your workbench or other rigid, stationary work support.

**⚠CAUTION:** Ensure that the surface is stable enough that large pieces of material will not cause it to tip over during use.

1. Center the saw on the desired, stable work surface.
2. Drive four 3-1/2" (88.9 mm) long screws through the holes in the metal frame. Make sure the screws extend through the frame and securely attach to the supporting work surface.

If marring the supporting work surface is a concern, the DWE7480 can be mounted to scrap wood which can then be clamped onto the desired work surface.

1. Cut a piece of 3/4" (19 mm) plywood to fit beneath the footprint of the saw.
2. Screw the saw to the plywood and clamp the overhang of the plywood to the work surface. If the screws protrude through the plywood base, set it on two scrap pieces of material of equal thickness and attach them to the edges of the plywood to hold the saw further off of the work surface and prevent the screws from marring the surface.

## Connecting Saw to Power Source

**⚠WARNING:** To reduce the risk of injury, before connecting saw to power source, make sure the switch is in the OFF position.

Be sure your power supply agrees with the nameplate marking. AC Only means that your saw will operate on alternating current only. A voltage decrease of 10 percent or more will cause a loss of power and overheating. All DEWALT tools are factory tested. If this tool does not operate, check the power supply.

## On-Off Switch (Fig. 14)

**⚠WARNING:** To reduce the risk of injury, be sure switch is in the OFF position before plugging machine in.

Lift the ON/OFF switch (K) paddle up to turn your saw ON and push it down to turn your saw OFF.

A hole (KK) is provided in the switch for insertion of a padlock with a removable shank to lock the saw off.

**NOTE:** A conventional padlock will not fit.

## Rip Fence Operation

### RAIL LOCK LEVER (FIG. 15)

The rail lock lever (W) locks the fence in place preventing movement during cutting. **To lock the rail lever**, push it down and toward the rear of the saw. **To unlock**, pull it up and toward the front of the saw.

**NOTE:** When ripping, always lock the rail lock lever.

### WORK SUPPORT EXTENSION/NARROW RIPPING FENCE (FIG. 15, 16)

The table saw is equipped with a narrow ripping fence that also supports work that extends beyond the saw table.

To use the narrow ripping fence in the work support position, rotate it from its stored position as shown in Figure 16, and slide the pins into the lower sets of slots on both ends of the fence. To use the narrow ripping fence in the narrow ripping position, snap the pins into the upper sets of slots on both ends of the fence.

This feature will allow 2" (51 mm) of extra clearance to the blade. If more clearance is necessary, follow directions for making an auxiliary fence under **Narrow Rip Auxiliary Fence** in the **Operation** section.

FIG. 15

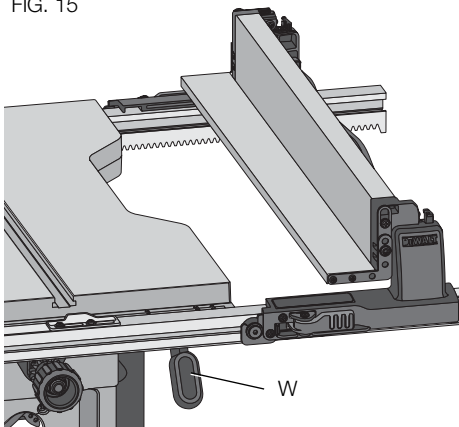


FIG. 16

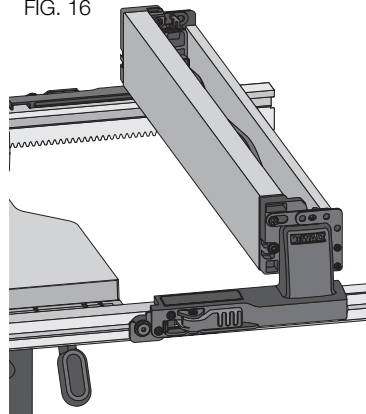
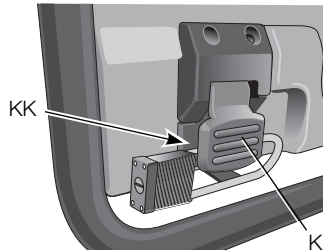


FIG. 14



## FINE ADJUSTMENT KNOB (FIG. 17)

The fine adjustment knob (H) allows smaller adjustments when setting the fence. Before adjusting, be sure the rail lock lever is in its up or unlocked, position.

## RIP SCALE POINTER

The rip scale pointer will need to be adjusted for proper performance of the rip fence if the user switches between thick and thin kerf blades. Refer to **Adjusting the Rip Scale** under **Adjustments** for alignment instructions.

## Adjustments

**⚠WARNING:** To reduce the risk of injury, turn unit off and disconnect machine from power source before installing and removing accessories, before adjusting or changing set-ups or when making repairs. An accidental start-up can cause injury.

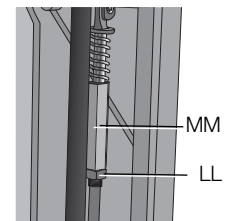
**NOTE:** Your saw is fully and accurately adjusted at the factory at the time of manufacture. If readjustment due to shipping and handling or any other reason is required, follow the steps below to adjust your saw.

Once made, these adjustments should remain accurate. Take a little time now to follow these directions carefully to maintain the accuracy of which your saw is capable.

### RAIL LOCK ADJUSTMENT (FIG. 3, 18) (Tightening Fence Clamping System)

1. Lock the rail lock lever (W).
2. On the underside of the saw, loosen the nut (LL).
3. Tighten the hex rod (MM) until the spring on the locking system is compressed creating the desired tension on the rail lock lever. Retighten the jam nut against the hex rod.
4. Check that the fence does not move when the lock lever is engaged. If the fence is still loose, tighten the spring further.

FIG. 18



### ADJUSTING THE RIP SCALE (FIG. 3, 19)

1. Unlock the rail lock lever (W).
2. Set the blade at 0° bevel and move the fence in until it touches the blade.
3. Lock the rail lock lever.
4. Loosen the rip scale indicator screws (NN) and set the rip scale indicator to read zero (0). Retighten the rip scale indicator screws. **NOTE:** The yellow rip scale (top) reads correctly only when the fence is mounted on the right side of the blade and is in position 1 (for 0 to 20" ripping, not the 24" rip position). The white scale (bottom) reads correctly only when the fence is mounted on the right side of the blade and in position 2 (for 4" to 24" ripping).

FIG. 19

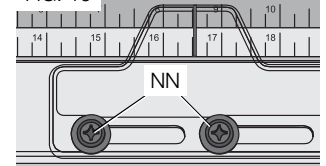
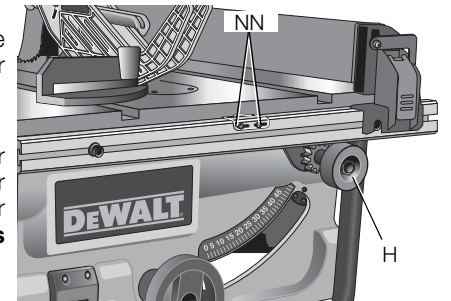


FIG. 17



### BLADE ALIGNMENT ADJUSTMENT (Blade Parallel to Miter Slot)

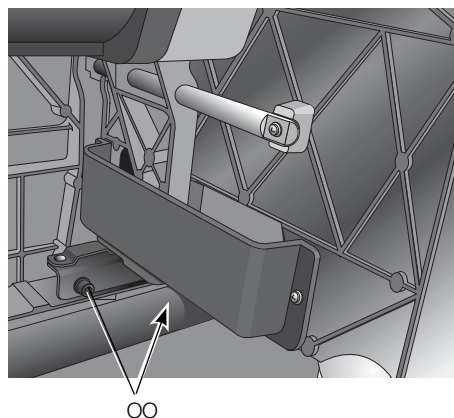
**⚠WARNING:** Cut Hazard. Check the blade at 0° and 45° to make sure blade does not hit the throat plate, causing personal injury.



If the blade appears to be out of alignment with the miter slot on the table top, it will require calibration for alignment. To realign the blade and miter slot, use the following procedure:

1. Locate the black hex locator screws (OO) that hold up the trunnion to the bottom of the table in the rear of the saw.
2. Loosen both screws and align the blade with the miter slot. Be sure to measure between the miter slot and the back and front of the blade to ensure parallelism.
3. Snugly tighten the screws to secure the trunnion and blade assembly to the table at the parallel position.

FIG. 20



**FENCE ALIGNMENT ADJUSTMENT (FIG. 3, 4) (Blade Parallel to Fence)**

If you experience fence alignment problems and want to correct an out of parallel between the fence and the blade, be sure to check the alignment of the blade to the miter slot first. After confirming that those elements are aligned, proceed with alignment of the blade to the fence using the following procedure:

1. Unlock the rail lock lever (W) and locate the two fence locator pins (R) that support the fence on the front and rear rails.
2. Loosen the rear locator pin and adjust the position of the fence in the groove on the fence until it sets the fence face parallel to the blade. Make sure you measure from the fence face to the front and back of the blade to ensure alignment.
3. Tighten the locator pins and repeat on the left side of the blade.
4. Check rip scale adjustment.

**BEVEL STOP AND POINTER ADJUSTMENT (Calibrating Bevel Scale)**

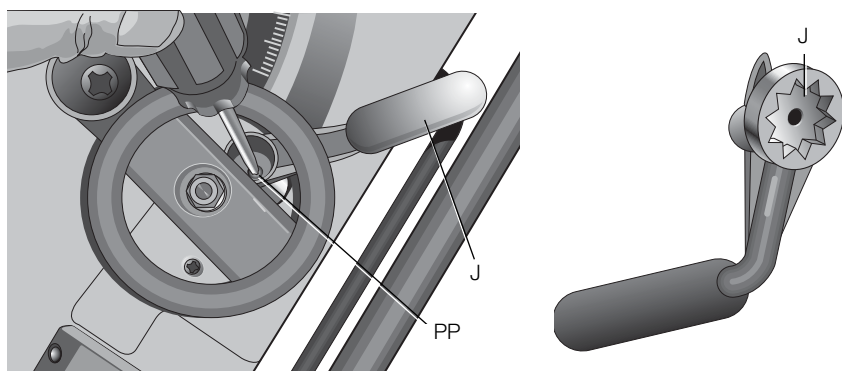
Calibrating the bevel system on the saw may require two separate steps, one for the bevel scale and another for the bevel pointer. The scale should always be checked first followed by adjustments to the red pointer.

**BEVEL LOCK ADJUSTMENT (FIG. 21)**

The bevel lock lever (J) may need adjustment to maintain lock force.

To do this, put the lock lever in the locked position. Use a cross head screwdriver to remove the screw (PP) holding the lock lever in place (Fig. 21). Remove the lock lever from the locking bolt and place lock lever in the desired position. Insert the screw (PP) and tighten securely.

FIG. 21



**Part A – Adjusting the Bevel Scale System (Fig. 22, 23)**

1. Remove the blade guard assembly from the saw and raise the blade all the way up in the table.
2. Unlock the bevel lock lever (J) and loosen the bevel stop screw (QQ).
3. Place a square against the table and blade.
  - NOTE:** Be sure to place the square between the teeth on the blade to ensure an accurate measurement.
4. Adjust the bevel angle until the blade is flat against the square. Lock the bevel lock lever (J).
5. Move the bevel stop cam (RR) until it firmly contacts the trunnion casting. Tighten the bevel stop screw.
6. Repeat procedure at 45° using a triangle or speed square.

**Part B – Adjusting the Bevel Scale Pointer**

**NOTE:** Complete this step only if Part A has been completed.

7. Check the bevel scale angle. If the pointer does not read 0°, loosen the pointer screw (SS) and move it to the 0° mark on the bevel scale. Retighten the pointer screw.

FIG. 22

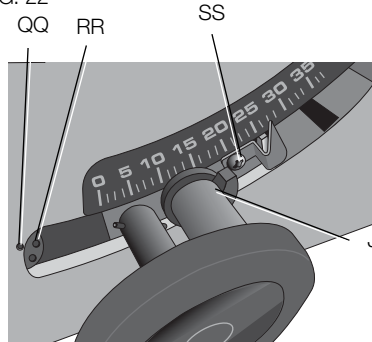
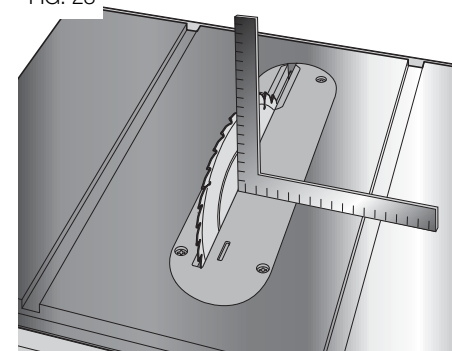


FIG. 23

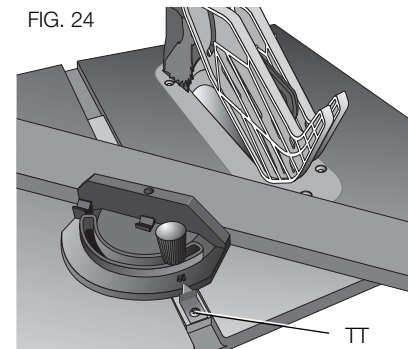


**MITER GAUGE ADJUSTMENT (FIG. 24) (Calibrating Miter Gauge Pointer)**

Your miter gauge features adjustable stops at 90° and 45° left and right.

To adjust the miter gauge, loosen the screw (TT) and move to desired position. Tighten the screw against the stop plate.

FIG. 24

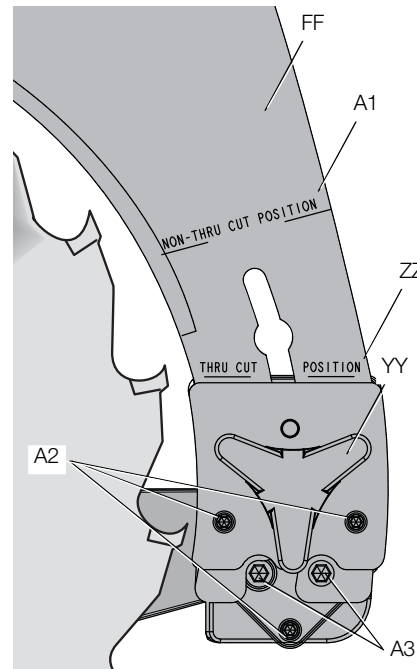


**ALIGNING RIVING KNIFE TO BLADE (FIG. 25)**

1. Remove the throat plate. Refer to **To Remove the Throat Plate** under **Assembly**.
2. Raise the blade to full depth of cut and 0° bevel angle.

- If needed, raise the riving knife (FF) to the thru cut (ZZ) or highest position. Refer to **Positioning the Riving Knife Assembly**.
- Locate the three small set screws (A2) adjacent to the riving knife lock knob (YY). These screws will be used to adjust the riving knife position.
- Lay a straight edge on the table against two blade tips. The riving knife should not touch the straight edge. If needed, loosen the two larger lock screws (A3).
- Adjust the small set screws (A2) to move the riving knife according to the position noted in step 5. Lay the straight edge on the opposite side of the blade and repeat adjustments as needed.
- Lightly tighten the two larger lock screws (A3).
- Place a square flat against the riving knife to verify riving knife is vertical and in line with the blade.
- If needed, use the set screws to bring the riving knife vertical with the square.
- Repeat steps 5 and 6 to verify position of riving knife.
- Fully tighten the two larger lock screws (A3).

FIG. 25



## Saw Blades

**⚠WARNING:** Riving knives must be matched to saw blade dimensions in order to function effectively. Refer to **Riving Knife Selection**.

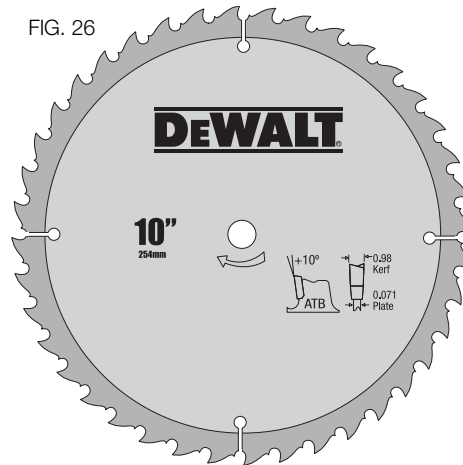
**NOTE:** THIS SAW IS INTENDED FOR USE ONLY WITH SAW BLADES 10" (254 mm) IN DIAMETER. Refer to Fig. 26.

**NOTE:** This saw is not intended for use with dado blades and molding cutters. Personal injury may occur.

- The saw blade furnished with your new saw is a 10" (254 mm) combination blade, used for crosscutting (across the grain) and ripping (with the grain) through the material. The center hole to fit on the arbor is 5/8" (16 mm) diameter (.625"). This blade will produce a good quality cut for most applications.
- There are many types of blades available to do specific and special jobs such as crosscut only, rip only, hollow ground, thin plywood, paneling, etc.
- Use only saw blades designed for maximum safe operating speeds of 5,000 RPM or greater.
- Saw blades should always be kept sharp. It is recommended that you locate a reputable sharpening service to sharpen your blades when needed.

**⚠CAUTION:** Abrasive wheels or blades (including diamond) should not be used on this saw.

FIG. 26



## Blade (Fig. 3, 6, 27, 28)

### REPLACING THE BLADE

- Raise the saw blade arbor to its maximum height by turning the blade height adjustment wheel (I) clockwise.
  - If replacing the blade, remove the blade guard assembly (D) and throat plate (X) prior to installing the new blade. (Refer to **To Remove the Blade Guard Assembly** and **To Remove the Throat Plate** under **Assembly**.)
- NOTE:** It may be easier to change the blade with the saw blade beveled to 0°.
- Remove the arbor nut (Y) and outer washer (Z) and set aside.
  - Place the blade (C) on the arbor making sure the teeth of the blade point downward and toward the front of the saw.
  - Place the outer washer (Z) against the blade, raised side out and tighten the arbor nut against the washer as far as possible by hand. Ensure that the outer washer and arbor nut are free of dust and debris before installing.
  - To further tighten the arbor nut (Y), use the open ended spindle wrench (supplied) to keep the spindle from rotating.
  - Use the arbor wrench (supplied) to hold the nut and tighten it by turning it clockwise. Reposition the wrench on the arbor nut and repeat as necessary until the nut and washer are securely fastened against the blade.

FIG. 27

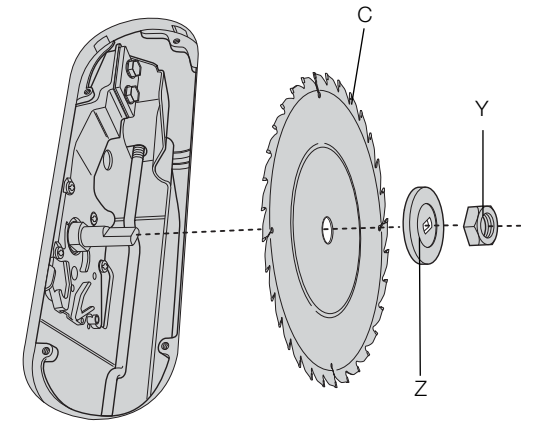
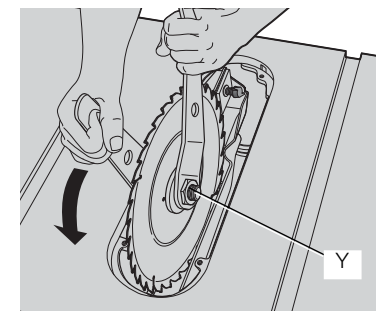


FIG. 28



**NOTE:** Different types of blades make different kerfs (width of cuts). Therefore, it is necessary to check adjustment of rip scale when changing blades. Replacement blade **MUST** not exceed the thickness stated on the riving knife. The riving knife provided with the saw is 2.2 mm thick.

### Riving Knife Selection

**⚠WARNING:** To minimize the risk of kickback and to ensure proper cutting, the riving knife must be the proper thickness for the blade used.

The riving knife supplied with this table saw is the correct size for the blade supplied with the saw.

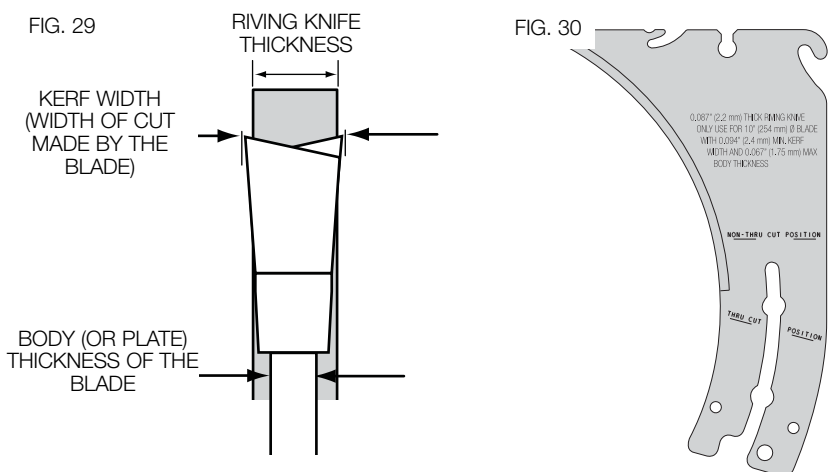
If a different blade is used check the blade body (plate) thickness and the blade kerf (cutting) width marked on the blade or on the blade packaging. The riving knife thickness must be greater than the body thickness and less than the kerf width as shown in Figure 29. If it is not, the riving knife **MUST** be replaced with one that has the correct thickness.

The riving knife provided with this saw is marked as follows (Fig. 30):

0.087" (2.2 mm) THICK RIVING KNIFE. ONLY USE FOR 10" (254 mm) Ø BLADE WITH 0.094" (2.4 mm) MIN. KERF WIDTH AND 0.067" (1.75 mm) MAX. BODY THICKNESS.

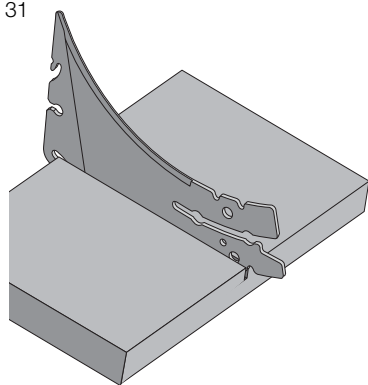
The riving knife available as an accessory marketed by DeWALT is marked as follows:

0.110" (2.8 mm) THICK RIVING KNIFE. ONLY USE FOR 10" (254 mm) Ø BLADE WITH 0.118" (3.0 mm) MIN. KERF WIDTH AND 0.098" (2.5 mm) MAX. BODY THICKNESS



All DEWALT blade body thickness and kerf widths are provided at [www.DEWALT.com](http://www.DEWALT.com). If a different blade is used and the body thickness and kerf width dimensions are not provided, use the following procedure to determine the correct riving knife thickness:

1. Measure the body thickness of the blade. FIG. 31
2. Make a shallow cut in scrap material and measure the kerf width.
3. Select the riving knife as shown in Figure 29.
4. Slide the riving knife through the shallow cut made in step 2 to confirm the correct riving knife has been selected. The riving knife should not bind or drag through the cut.



**IMPORTANT:** If any dragging or binding of the material is encountered as it reaches the riving knife, turn unit off and disconnect machine from power source. Repeat steps 1–4 to make the proper riving knife selection before attempting another cut.

**Kickback**

Kickback is a dangerous condition! It is caused by the workpiece binding against the blade. The result is that the workpiece can move rapidly in a direction opposite to the feed direction. During kickback, the workpiece could be thrown back at the operator. It can also drag the operator's hand back into the blade if the operator's hand is at the rear of the blade. If kickback occurs, turn the saw OFF and verify the proper functioning of the riving knife, anti-kickback assembly and blade guard assembly before resuming work.

**⚠WARNING:** Refer to **Additional Safety Rules for Table Saws** and follow all warnings provided regarding KICKBACK.

**OPERATION**

- ⚠WARNING:** Before using the saw, verify the following each and every time:
1. **ALWAYS** wear proper eye, hearing and respiratory equipment.
  2. Blade is tight.
  3. Bevel angle and height lock knobs are tight.
  4. If ripping, ensure fence lock lever is tight and fence is parallel to the blade.
  5. If crosscutting, miter gauge knob is tight.

6. The blade guard assembly is properly attached and the anti-kickback assembly is functioning.
7. **ALWAYS** inspect the blade guard assembly and riving knife for proper alignment, operation and clearance with saw blade.
8. **ALWAYS** make sure both guards are in the down position in contact with the table before operating.

Failure to adhere to these common safety rules can greatly increase the likelihood of injury.

**⚠WARNING:** To reduce the risk of injury, turn unit off and disconnect machine from power source before installing and removing accessories, before adjusting or changing set-ups or when making repairs. An accidental start-up can cause injury.

**⚠WARNING:** Before connecting the table saw to the power source or operating the saw, always inspect the blade guard assembly and riving knife for proper operation alignment and clearance with saw blade. Personal injury may result.

**⚠WARNING:** Ripping or crosscutting may cause saw to tip over while operating. Make sure saw is securely mounted to a stable surface.

**⚠WARNING:** Never use the fence and miter gauge together. This may cause a kickback condition and injure the operator.

**⚠CAUTION:** If your saw makes an unfamiliar noise or if it vibrates excessively, cease operating immediately, turn unit off and disconnect from power source until the problem has been located and corrected. Contact a DEWALT factory service center, a DEWALT authorized service center or other qualified service personnel if the problem cannot be found.

**⚠CAUTION:** The proper throat plate must be in place at all times to reduce the risk of a thrown workpiece and possible injury.

There are two basic types of cutting with table saws: ripping and crosscutting. Cutting with the grain is ripping and cutting against the grain is crosscutting. With manmade materials, the distinction is made such that ripping is cutting to a different width and crosscutting describes cutting material across the shorter dimension.

**⚠WARNING:** When ripping, always use the fence to provide a guide for the material and blade guard assembly against a kickback situation.

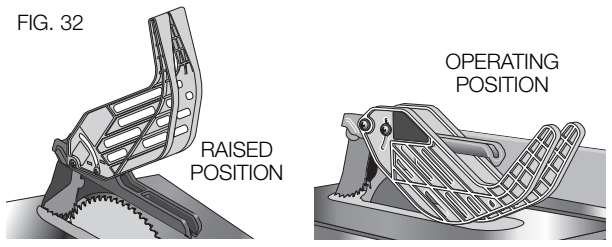
**⚠WARNING:** Never perform any cutting operation freehand. Never perform plunge cutting.

**⚠CAUTION:** When crosscutting, always use the miter gauge.

**Guard Operating Feature (Fig. 32)**

**⚠WARNING:** To reduce the risk of injury, turn unit off and disconnect machine from power source before installing and removing accessories, before adjusting or changing set-ups or when making repairs. An accidental start-up can cause injury.

1. The guard(s) will lock in place when in the raised position.
2. This feature increases visibility when measuring the blade to fence distance.
3. Push down on guard(s) and they will release to the operating position.
  - **ALWAYS** make sure both guards are in the down position in contact with the table before operating.



## Ripping

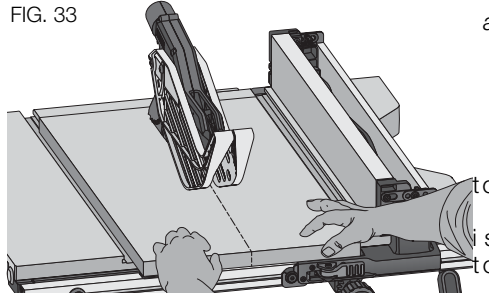
**⚠WARNING:** Never touch the free end of the workpiece or a free piece that is cut off, while the power is ON and/or the saw blade is rotating. Piece may contact the blade resulting in a thrown workpiece and possible injury.

**⚠WARNING:** A rip fence should **ALWAYS** be used for ripping operations to prevent loss of control and personal injury. **NEVER** perform a ripping operation freehand. **ALWAYS** lock the fence to the rail.

**⚠WARNING:** When bevel ripping and whenever possible, place the fence on the side of the blade so that the blade is tilted away from the fence and hands. Keep hands clear of the blade and use a push stick to feed the workpiece if there is less than 6" (152 mm) between the fence and the blade.

1. Lock the rip fence by pressing the rail lock lever down. Remove the miter gauge.
2. Raise the blade so it is about 1/8" (3.2 mm) higher than the top of the workpiece.
3. Hold the workpiece flat on the table and against the fence. Keep the workpiece about 1" (25.4 mm) away from the blade.

**⚠CAUTION:** The workpiece must have straight edge against the fence and must not be warped, twisted or bowed. Keep both hands away from the blade and away from the path of the blade. Refer to proper hand position in Figure 33.

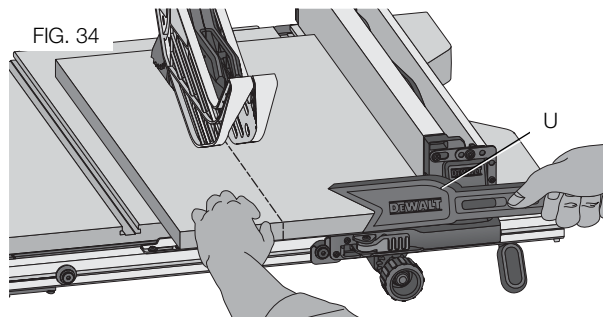


4. Turn the saw on and allow the blade come up to speed. Both hands can be used in starting the cut. When there approximately 12" (305 mm) left be ripped, use only one hand, with your thumb pushing the material, your index and second finger holding the material down and your other fingers hooked over the fence. Always keep your thumb along side your first two fingers and near the fence.
5. Keeping the workpiece against the table and fence, slowly feed the workpiece rearward all the way through the saw blade. Continue pushing the workpiece until it is clear of the blade guard assembly and it falls off the rear of the table. Do not overload the motor.
6. Never try to pull the workpiece back with the blade turning. Turn the switch off, allow the blade to stop, raise the anti-kickback teeth on each side of the riving knife if necessary and slide the workpiece out.
7. When sawing a long piece of material or a panel, always use a work support. A sawhorse, rollers, or out feed assembly provides adequate support for this purpose. The work support must be at the same height as the saw table.

**⚠CAUTION:** Never push or hold onto the free or cut off side of the workpiece.

## Ripping Small Pieces

It is unsafe to rip small pieces. It is not safe to put your hands close to the blade. Instead, rip a larger piece to obtain the desired piece. When a small width is to be ripped and the hand cannot be safely put between the blade and the rip fence, use one or more push sticks. A pattern is included at the end of this manual to make



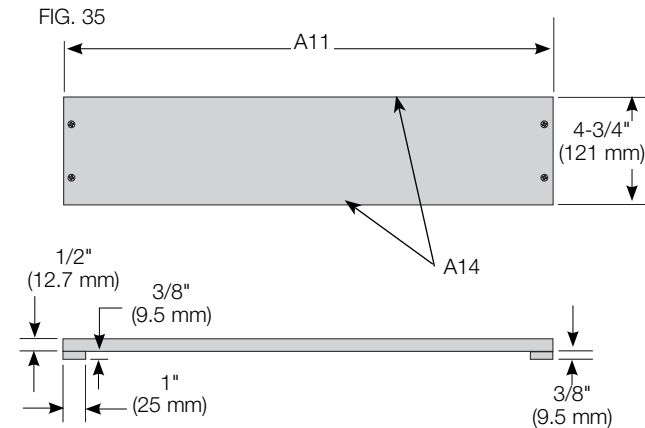
push sticks. A push stick (U) is included with this saw, attached to the rip fence. Use the push stick(s) to hold the workpiece against the table and fence, and push the workpiece fully past the blade. Refer to Figure 34.

**NOTE:** The table saw is equipped with a narrow ripping fence that also supports work that extends beyond the saw table. Refer to **Work Support Extension/Narrow Ripping Fence** under **Rip Fence Operation**.

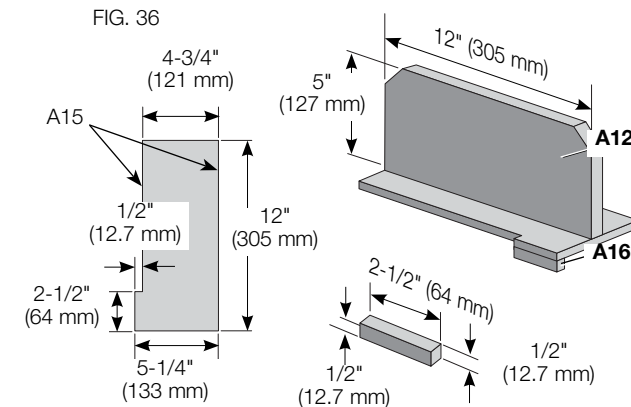
## Narrow Rip Auxiliary Fence (Fig. 35–37)

The narrow rip auxiliary fence should be used for a rip measuring 2" (51 mm) or narrower. This fence will allow the guard to remain on the saw when completing narrow ripping. This fence will provide ample space for proper use of a push block (A12, Refer to **Push Block**).

1. Follow the diagram in Figure 35 to construct the narrow rip auxiliary fence (A13, Fig. 37).  
**NOTE:** A11 should be cut to fit the length of the saw table top and sides (A14) must be parallel.



2. After the narrow rip auxiliary fence is constructed, slip it over the saw table top and place it flush to the fence as shown in Figure 37.
3. Feed the workpiece through until the edge of the material reaches the front edge of the saw table top.
4. Continue feeding the material using the push block (A12) until the cut is complete.



## Push Block (Fig. 36, 37)

**IMPORTANT:** Only use the push block (A12) with the narrow rip auxiliary fence. Refer to **Narrow Rip Auxiliary Fence**. The push block should be used once the material being cut reaches the saw table top.

1. Construct a push block using the diagram in Figure 36.

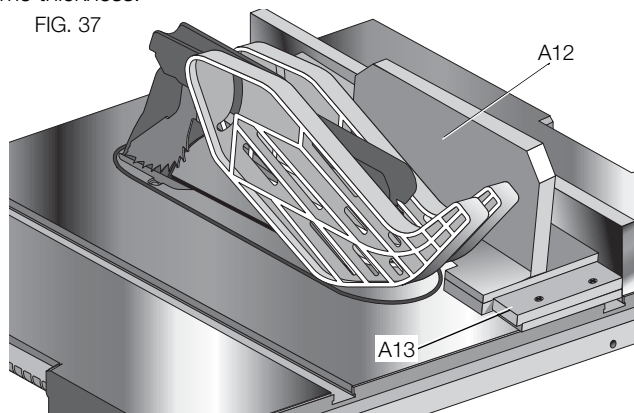
**NOTE:** Edges (A15) must be the same size.

**IMPORTANT:** The over hanging edge (A16, Fig. 36) **MUST** be square. An uneven lip could cause the push block to slip or push the material away from the fence.

2. Place the push block (A12, Fig. 37) behind the material and ensure the lip of the block is flush to the narrow rip auxiliary fence (A13).
3. Once the push block is in place, continue feeding the material until the cut is complete making sure the push block remains flush to the narrow rip auxiliary fence at all times.

**IMPORTANT:** The narrow rip auxiliary fence and the over hanging edge (A16, Fig. 36) should both be the same thickness.

FIG. 37



## Bevel Ripping (Fig. 38)

This operation is the same as ripping except the bevel angle is set to an angle other than zero degrees.

**⚠WARNING:** Before connecting the table saw to the power source or operating the saw, always inspect the blade guard assembly and riving knife for proper alignment and clearance with saw blade. Check alignment after each change of bevel angle.

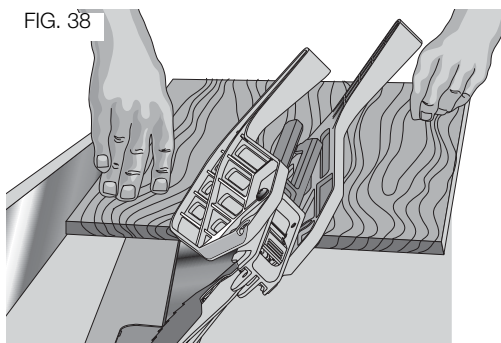
## Crosscutting

**⚠WARNING:** **NEVER** touch the free end of the workpiece or a free piece that is cut off, while the power is ON and/or the saw blade is rotating. Piece may contact the blade resulting in a thrown workpiece and possible injury.

**⚠WARNING:** To reduce the risk of injury, **NEVER** use the fence as a guide or length stop when crosscutting.

**⚠WARNING:** **NEVER** use a length stop on the free end of the workpiece when crosscutting. In short, the cut-off piece in any thru sawing (cutting completely through the workpiece) operation must never be confined — it must be allowed to move away from saw blade to prevent contact with blade resulting in a thrown workpiece and possibly injury.

FIG. 38

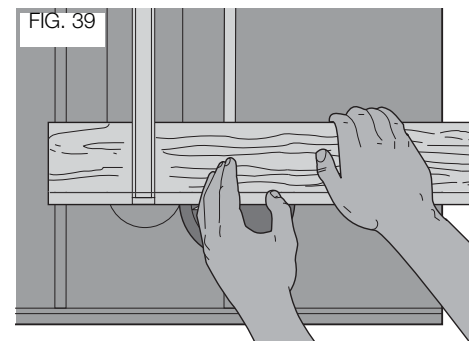


**⚠WARNING:** Use caution when starting the cut to prevent binding of the guard against the workpiece resulting in damage to saw and possible injury.

**⚠CAUTION:** When using a block as a cut-off gauge, the block must be at least 3/4" (19 mm) thick and is very important that the rear end of the block be positioned so the workpiece is clear of the block before it enters the blade to prevent contact with blade resulting in a thrown workpiece and possibly injury.

1. Remove the rip fence and place the miter gauge in the desired slot.
2. Adjust the blade height so that the blade is about 1/8" (3.2 mm) higher than the top of the workpiece.
3. Hold the workpiece firmly against the miter gauge with the path of the blade in line with the desired cut location. Keep the workpiece an inch or so in front of the blade. **KEEP BOTH HANDS AWAY FROM THE BLADE AND THE PATH OF THE BLADE** (Fig. 39).
4. Start the saw motor and allow the blade to come up to speed.
5. While using both hands to keep the workpiece against the face of the miter gauge, and holding the workpiece flat against the table, slowly push the workpiece through the blade. Refer to Figure 38.
6. Never try to pull the workpiece with the blade turning. Turn the switch off, allow the blade to stop, and carefully slide the workpiece out.

FIG. 39



**⚠CAUTION:** Never touch or hold onto the free or cut off end of the workpiece.

## Bevel Crosscutting

This operation is the same as crosscutting except that the bevel angle is set to an angle other than 0°. For proper hand position, refer to Figure 38.

**⚠WARNING:** Before connecting the table saw to the power source or operating the saw, always inspect the blade guard assembly and riving knife for proper alignment and clearance with saw blade. Check alignment after each change of bevel angle.

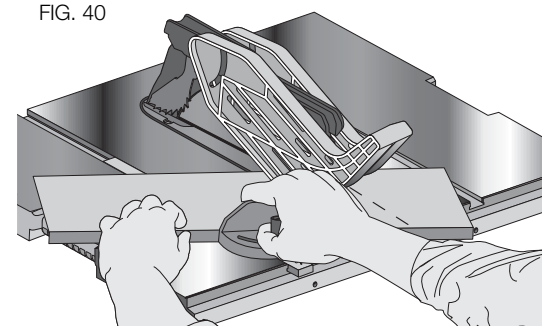
## Mitering

**⚠WARNING:** Miter angles greater than 45° may force the blade guard assembly into the saw blade causing damage to the blade guard assembly and personal injury. Before starting the motor, test the operation by feeding the workpiece into the blade guard assembly. If the blade guard assembly contacts the blade, place the workpiece under the blade guard assembly, not touching the blade, before starting the motor.

**⚠CAUTION:** Certain workpiece shapes, such as molding may not lift the blade guard assembly properly. Feed the workpiece slowly to start the cut. If the blade guard assembly contacts the blade, place the workpiece under the blade guard assembly, not touching the blade, before starting the motor.

This operation is the same as crosscutting except the miter gauge is locked at an angle other than 0°. Hold the workpiece **FIRMLY** against the miter gauge and feed the workpiece slowly into the blade (to prevent the workpiece from moving). Refer to Figure 40.

FIG. 40



## Miter Gauge Operation

To set your miter gauge, loosen the lock handle and move the miter gauge to the desired angle.

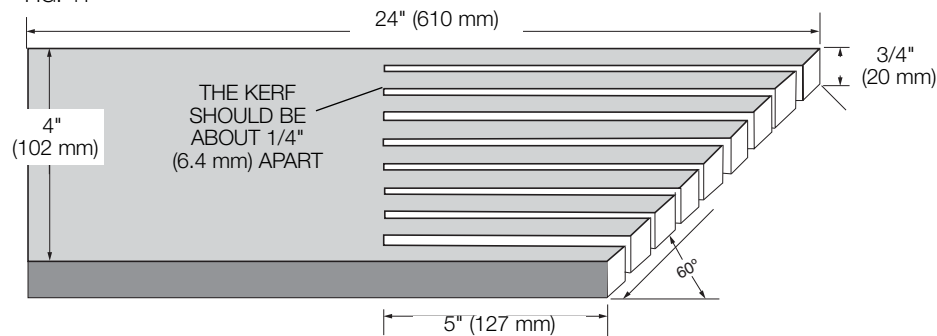
## Compound Mitering

This is a combination of bevel crosscutting and mitering. Follow the instructions for both bevel crosscutting and mitering.

## Featherboard Construction

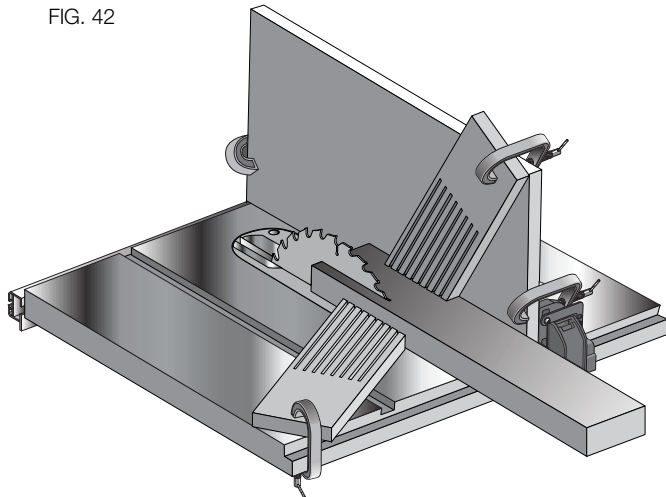
Featherboards are used to keep the work in contact with the fence and table, and help prevent kickbacks. Dimensions for making a typical featherboard are shown in Fig. 41. Make the featherboard from a straight piece of wood that is free of knots and cracks. Clamp the featherboard to the fence and table so that the leading edge of the featherboard will support the workpiece until the cut is complete (Fig. 42). An 8" (203 mm) high flat board can be clamped to the rip fence and the featherboard can be clamped to the 8" (203 mm) high board.

FIG. 41



**⚠ WARNING:** Use featherboards for all non-thru sawing operations where the blade guard assembly, anti-kickback assembly and riving knife cannot be used. **Always replace the blade guard assembly, anti-kickback assembly and riving knife when the non-thru sawing operation is complete.** Make sure the featherboard presses only on the portion of the workpiece in front of the blade.

FIG. 42



## Dust Collection

Your table saw is equipped with a dust shroud and dust collection port. For best results, connect a vacuum to the port at the rear of the saw.

After extended use, the saw's dust collection system may become clogged. To clear the dust collection system:

1. Unplug the saw.
2. Turn the saw on its side, so the bottom, open part of the unit is accessible.
3. Open the dust access door (UU) shown in Figure 43 by removing the wing screws (V V). Clean out the excess dust, and re-secure the access door with the wing screws.

FIG. 43

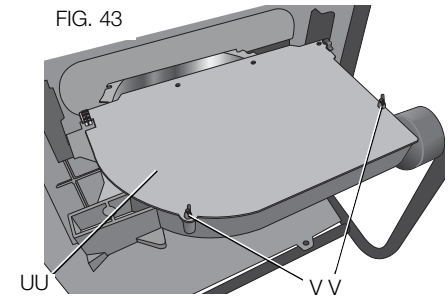
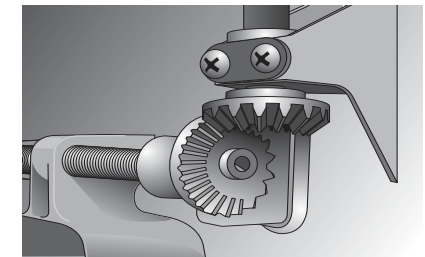


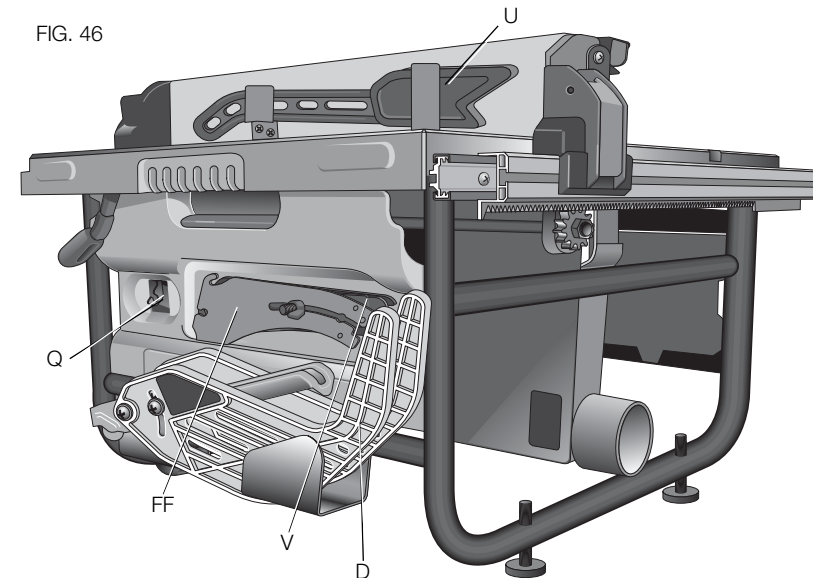
FIG. 44



## Lubrication

1. All motor bearings are permanently lubricated at the factory and no additional lubrication is needed.
2. The height adjustment gear may require periodic cleaning and lubrication (Fig. 44). If you have difficulty raising or lowering the blade, contact a DEWALT authorized service center.

FIG. 46

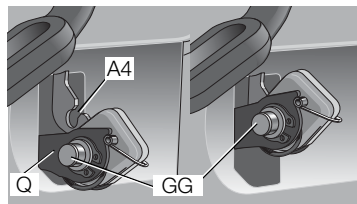


## STORAGE (Fig. 45, 46)

1. Attach push stick (U) to fence.
2. Remove blade guard assembly (D). Refer to **To Remove Blade Guard Assembly**. Slide blade guard assembly into brackets as shown.

- Depress the stem (GG) on the anti-kickback assembly (Q) to allow the assembly to slide from the riving knife slot.
- Position anti-kickback assembly into the storage hole as shown. While depressing stem (GG) slide the anti-kickback assembly across the storage slot (A4) and release pin to lock into place.
- Loosen the riving knife lock knob (YY, Fig. 25) (minimum of three turns).
- Push riving knife lock knob (YY) toward the riving knife as indicated by the yellow arrows on the knob to disengage riving knife lock pin.
- Lift and slide the riving knife from saw.
- Remove wingnut securing blade wrenches (V). Place riving knife (FF) onto post with blade wrenches and secure with wingnut.

FIG. 45



## MAINTENANCE

**⚠WARNING:** To reduce the risk of injury, turn unit off and disconnect machine from power source before installing and removing accessories, before adjusting or changing set-ups or when making repairs. An accidental start-up can cause injury.

## Cleaning

**⚠WARNING:** When cleaning, use only mild soap and a damp cloth on plastic parts. Many household cleaners contain chemicals which could seriously damage plastic. Also, do not use gasoline, turpentine, lacquer or paint thinner, dry cleaning fluids or similar products which may seriously damage plastic parts. Never let any liquid get inside the tool; never immerse any part of the tool into a liquid.

## Accessories

**⚠WARNING:** Since accessories, other than those offered by DEWALT, have not been tested with this product, use of such accessories with this tool could be hazardous. To reduce the risk of injury, only DEWALT recommended accessories should be used with this product.

If you need assistance in locating any accessory, please contact DEWALT Industrial Tool Co., 701 East Joppa Road, Baltimore, MD 21286, call 1-800-4-DEWALT (1-800-433-9258) or visit our website [www.DEWALT.com](http://www.DEWALT.com).

## Repairs

To assure product SAFETY and RELIABILITY, repairs, maintenance and adjustment (including brush inspection and replacement) should be performed by a DEWALT factory service center, a DEWALT authorized service center or other qualified service personnel. Always use identical replacement parts.

## Register Online

Thank you for your purchase. Register your product now for:

- WARRANTY SERVICE:** Registering your product will help you obtain more efficient warranty service in case there is a problem with your product.
- CONFIRMATION OF OWNERSHIP:** In case of an insurance loss, such as fire, flood or theft, your registration of ownership will serve as your proof of purchase.
- FOR YOUR SAFETY:** Registering your product will allow us to contact you in the unlikely event a safety notification is required under the Federal Consumer Safety Act.

Register online at [www.dewalt.com/register](http://www.dewalt.com/register).

## Three Year Limited Warranty

DEWALT will repair, without charge, any defects due to faulty materials or workmanship for three years from the date of purchase. This warranty does not cover part failure due to normal wear or tool abuse. For further detail of warranty coverage and warranty repair information, visit [www.dewalt.com](http://www.dewalt.com) or call 1-800-4-DEWALT (1-800-433-9258). This warranty does not apply to accessories or damage caused where repairs have been made or attempted by others. This warranty gives you specific legal rights and you may have other rights which vary in certain states or provinces.

In addition to the warranty, DEWALT tools are covered by our:

### 1 YEAR FREE SERVICE

DEWALT will maintain the tool and replace worn parts caused by normal use, for free, any time during the first year after purchase.

### 90 DAY MONEY BACK GUARANTEE

If you are not completely satisfied with the performance of your DEWALT Power Tool, Laser, or Nailers for any reason, you can return it within 90 days from the date of purchase with a receipt for a full refund – no questions asked.

**LATIN AMERICA:** This warranty does not apply to products sold in Latin America. For products sold in Latin America, see country specific warranty information contained in the packaging, call the local company or see website for warranty information.

**FREE WARNING LABEL REPLACEMENT:** If your warning labels become illegible or are missing, call 1-800-4-DEWALT (1-800-433-9258) for a free replacement.

**⚠ DANGER/PELIGRO**

KEEP HANDS AWAY FROM BLADE.  
MANTENGA MANOS LEJOS DE HOJA.  
GARDER DES MAINS LOIN DE LA LAME.

**DWE7480** BLADE 10",  
254mm

NOTE: USE 120 VOLT, 15 AMP BRANCH  
CIRCUIT AND USE 15 AMP TIME-DELAY FUSE.

**⚠WARNING** USER MUST READ INSTRUCTION MANUAL FOR PROPER INSTALLATION OF ANTI-KICKBACK ASSEMBLY.

**⚠ADVERTENCIA** EL USUARIO DEBE LEER EL MANUAL DE INSTRUCCIONES PARA UNA CORRECTA INSTALACION DEL CONJUNTO DE ANTIRRETROCESO.

**⚠AVERTISSEMENT** L'UTILISATEUR DOIT LIRE LE MANUEL D'INSTRUCTION POUR CONNAITRE LE BON MODE D'INSTALLATION DU MODULE ANTIRECUL.

**⚠WARNING** TO REDUCE THE RISK OF INJURY, READ INSTRUCTION MANUAL BEFORE OPERATING SAW. ALWAYS USE PROPER EYE AND RESPIRATORY PROTECTION. DO NOT WEAR GLOVES, NECKTIES, JEWELRY OR LOOSE CLOTHING. CONTAIN LONG HAIR. KEEP HANDS OUT OF THE LINE OF SAW BLADE. USE EXTRA CAUTION WHEN BEVELING. USE SAW-BLADE GUARD AND RIVING KNIFE FOR EVERY OPERATION FOR WHICH IT CAN BE USED, INCLUDING ALL THROUGH SAWING. "PUSH STICK" WHEN REQUIRED. KNOW HOW TO REDUCE THE RISK OF KICKBACKS - SEE MANUAL. ALWAYS SUPPORT WORK WITH TABLE AND FENCE OR MITER GAUGE. DO NOT PERFORM ANY OPERATION FREE HAND. USE FENCE WHEN RIPPING AND MITER GAUGE WHEN CROSSCUTTING. NEVER USE TOGETHER. NEVER REACH AROUND OR OVER SAW BLADE. SECURELY MOUNT SAW BLADE BEFORE OPERATING. NEVER REMOVE JAMMED OR CUT-OFF PIECES UNTIL POWER IS OFF AND BLADE HAS STOPPED. LOCK BEVEL ADJUSTMENT BEFORE OPERATION. SECURE TOOL PROPERLY TO PREVENT UNEXPECTED MOVEMENT. DO NOT OPERATE THIS MACHINE WHILE UNDER THE INFLUENCE OF ALCOHOL OR DRUGS. FAILURE TO COMPLY WITH THESE WARNINGS MAY RESULT IN SERIOUS PERSONAL INJURY. WHEN SERVICING, USE ONLY IDENTICAL REPLACEMENT PARTS.

**⚠ADVERTENCIA** PARA REDUCIR EL RIESGO DE LESIONES, LEA EL MANUAL DE INSTRUCCIONES ANTES DE OPERAR LA SIERRA. SIEMPRE UTILICE PROTECCION OCULAR Y RESPIRATORIA. NO USE GUANTES, CORBALES, ANILLAS, NI CABELLO NI GAFAS SUJETE EL CABELLO LARGO. MANTENGA LAS MANOS FUERA DEL TRAYECTO DE LA HOJA DE LA SIERRA. TIENGA MUCHA CUIDADIA CON EL BEVELADO. UTILICE EL PROTECTOR DE LA HOJA DE LA SIERRA Y LA SIERRA BICUCILLA PARA TODAS LAS OPERACIONES EN LAS QUE PUEDE INCLUIRSE TODOS LOS CORTES CON SIERRA. USE UN "EMPUJADOR" SIEMPRE QUE SEA NECESARIO. LEA EL MANUAL PARA OBTENER INFORMACION SOBRE COMO REDUCIR EL RIESGO DE RETROCESOS. SUSTENTE EL TRABAJO CON UNA MESA Y UNA GUARDIA O TABLON DE SIERRA. NO OPERE SIN OPERACION EN UN TENDIDO DE MANOS. SIEMPRE LA CUCHILLA AL HACER CORTES LONGITUDINALES Y EL CALIBRADOR DE BIELETE AL HACER CORTES TRANSVERSALES. NUNCA USE AMBOS A LA VEZ. MANTENIENDO ALCANZAR UN BEVELADO SOBRE LA HOJA DE LA SIERRA. CONSULTE LA GUARDIA ANTES DE OPERAR LA SIERRA CON CORTES DE BEVELADO. CORTADOS EN QUE LA HERRAMIENTA ESTE APUNTA Y LA HOJA SE HAYA DETENDIDO TRABAJE EL AJUSTE DEL BIEL. ANTES DE USAR LA HERRAMIENTA. RE LA HERRAMIENTA CORRECTAMENTE PARA EVITAR QUE SE MOVIA INESPERADAMENTE. NO OPERE SIN MANTENIENDO LA SIERRA EN SU POSICION CORRECTA. EL MOVIMIENTO EN ESTOS AVERTISMIENOS PUEDE CAUSAR LESIONES PERSONALES.

**⚠AVERTISSEMENT** TOUJOURS UTILISER UNE PROTECTION OCULAIRE ET UNE PROTECTION RESPIRATOIRE ADAPTEES. NE PAS PORTER DE GANTS, NI CORBALES, NI COUTURE NI CHEVEUX NI LUNETTES. ATTACHEZ LES CHEVEUX LONGS. TENIR LES MAINS EN DEHORS DU TRAJECTOIRE DE LA LAME. DESCE - ETRE TRÈS PRUDENT POUR LE BEVELAGE. UTILISER UN PROTECTEUR POUR LA HOJA DE LA SIERRA ET LA SIERRA BICUCILLA POUR TOUS LES CORTES POSSIBLES. LIRE LE MANUEL POUR OBTENIR PLUS D'INFORMATIONS SUR LA MANIÈRE DE REDUIRE LE RISQUE DE RETOUR EN ARRIÈRE. SOUTENEZ LE TRAVAIL SUR UNE MÈSE ET UNE GARDE-BOIS. NE PAS OPÉRER SANS OPÉRER EN UN TENDU DE MAINS. SIEMPRE LA CUCHILLA AL HACER CORTES LONGITUDINALES Y EL CALIBRADOR DE BIELETE AL HACER CORTES TRANSVERSALES. NUNCA USE AMBOS A LA VEZ. MANTENIENDO ALCANZAR UN BEVELADO SOBRE LA HOJA DE LA SIERRA. CONSULTE LA GUARDIA ANTES DE OPERAR LA SIERRA CON CORTES DE BEVELADO. CORTADOS EN QUE LA HERRAMIENTA ESTE APUNTA Y LA HOJA SE HAYA DETENDIDO TRABAJE EL AJUSTE DEL BIEL. ANTES DE USAR LA HERRAMIENTA. RE LA HERRAMIENTA CORRECTAMENTE PARA EVITAR QUE SE MOVIA INESPERADAMENTE. NO OPERE SIN MANTENIENDO LA SIERRA EN SU POSICION CORRECTA. EL MOVIMIENTO EN ESTOS AVERTISMIENOS PUEDE CAUSAR LESIONES PERSONALES.

**⚠ADVERTENCIA** PARA REDUCIR EL RIESGO DE UNA LESIÓN GRAVE, UTILICE EL CONJUNTO PROTECTOR DE LA HOJA Y LA GUARDA PARA CUCHILLA SIEMPRE QUE SEA POSIBLE, INCLUSO PARA TODOS LOS CORTES CON SIERRA. MANTENGA LAS MANOS FUERA DE LA LINEA DE LA HOJA DE LA SIERRA. UTILICE UNA VARA PARA EMPUJAR SIEMPRE QUE SEA NECESARIO.

**⚠AVERTISSEMENT** POUR RÉDUIRE LE RISQUE DE BLESSURES GRAVES, UTILISER LE PROTEGE-LAME ET LE COUTEAU SÉPARATEUR POUR TOUTES LES APPLICATIONS POSSIBLES Y COMPRIS LE DÉBITEGE COMPLEXE. GARDER LES MAINS HORS DE LA TRAJECTOIRE DE LA LAME DE LA SCIE. UTILISER UN POUSSOIR S'IL Y A LIEU.

**⚠WARNING** FOR PROPER USE AND INSTALLATION OF GUARD, RIVING KNIFE AND KICKBACK PAWLS REFER TO INSTRUCTION MANUAL.

**⚠ADVERTENCIA** PARA INSTALAR Y UTILIZAR CORRECTAMENTE EL PROTECTOR, LA CUCHILLA HENDEORA Y LOS SEGUROS ANTIRRETROCESO, CONSULTE EL MANUAL DE INSTRUCCIONES.

**⚠AVERTISSEMENT** SE REPORTER AU MODE D'EMPLOI POUR LA INSTALLATION ET L'INSTALLATION ADEQUATES DU PROTEGE-LAME, DU COUTEAU SÉPARATEUR ET DES CLIQUETS ANTI-EFFET DE REBOND.

## Définitions : Consignes de sécurité

Les définitions ci-après décrivent le degré de sévérité assigné à chaque terme. Veuillez lire ce manuel et prêter attention à ces symboles.

**⚠ DANGER :** Indique une situation de danger imminent qui, si rien n'est fait pour l'éviter, aura comme conséquences **la mort ou des dommages corporels graves**.

**⚠ AVERTISSEMENT :** Indique une situation de danger potentiel qui, si rien n'est fait pour l'éviter, pourra avoir comme conséquences **la mort ou des dommages corporels graves**.

**⚠ ATTENTION :** Indique une situation de danger potentiel qui, si rien n'est fait pour l'éviter, pourra avoir comme conséquences des **dommages corporels mineurs ou modérés**.

**AVIS :** indique une pratique ne posant **aucun risque de dommages corporels** mais qui par contre, si rien n'est fait pour l'éviter, **pourrait** poser des **risques de dommages matériels**.

POUR TOUT COMMENTAIRE OU QUESTION RELATIF À CET OUTIL OU TOUT AUTRE OUTIL DEWALT, COMPOSEZ GRATUITEMENT LE : **1-800-4-DEWALT (1-800-433-9258)**.

## Règles de sécurité – Généralités


**⚠ AVERTISSEMENT :** lire ces directives avant toute utilisation. Tout manquement aux directives suivantes pose des risques de choc électrique, d'incendie et/ou de blessure grave.

### CONSERVER CES CONSIGNES

**⚠ AVERTISSEMENT :** SE CONFORMER AUX NORMES DU CODE EN MATIÈRE DE CÂBLAGE et connexions électriques pour prévenir tout risque de décharge électrique ou d'électrocution.

### Double isolation

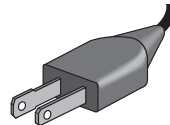
Si la scie a été conçue d'usine avec une double isolation, lire les consignes suivantes.

Ce symbole  atteste d'une fabrication à double isolation. Afin de protéger l'utilisateur contre les décharges électriques, les outils à double isolation sont complètement recouverts de deux couches distinctes d'isolant électrique ou d'une double épaisseur de matière isolante. Les outils possédant ce type d'isolation ne sont pas destinés à être mis à la terre. Par conséquent, ils sont munis d'une fiche à deux broches permettant d'utiliser une rallonge ne nécessitant aucune prise à la terre. Réparer ou remplacer immédiatement tout cordon endommagé ou usé.

**REMARQUE :** le fait que cet outil soit muni d'une double isolation ne signifie pas que l'utilisateur peut cesser de respecter les consignes de sécurité qui s'imposent. L'isolation offre une protection supplémentaire contre les blessures causées par toute défaillance électrique des systèmes d'isolation internes.

### FICHES POLARISÉES

Pour réduire tout risque de choc électrique, cet outil est muni d'une fiche polarisée (l'une des lames est plus large que l'autre), laquelle ne peut être raccordée qu'à une prise polarisée et ce, dans un seul sens. Si la fiche ne rentrait pas complètement dans la prise, inverser le sens de la fiche. Si la fiche ne s'adapte toujours pas, faire appel à un électricien qualifié pour qu'il installe la prise appropriée. Ne jamais modifier la fiche en aucune façon.



### Consignes de sécurité importantes

- **POUR RÉDUIRE TOUT RISQUE DE DOMMAGES CORPORELS,** utiliser systématiquement l'ensemble des composants du dispositif de protection (dispositif de carter de lame, couteau diviseur et dispositif anti-rebonds) au cours des opérations pour lesquelles ils ont été conçus, et ce, pendant toute la durée de coupe.

- **RETIRER TOUTE CLÉ ET TOUT OUTIL DE RÉGLAGE.** Vérifier systématiquement que toute clé ou outil de réglage a été retiré de la broche avant de mettre l'outil en marche. Outils, chutes, ou autres débris pourraient être projetés brusquement, et causer des dommages corporels.
- **MAINTENIR L'AIRE DE TRAVAIL PROPRE.** Les établis et locaux encombrés sont propices aux accidents.
- **NE PAS UTILISER LA MACHINE DANS UN ENVIRONNEMENT DANGEREUX.** Ne pas utiliser d'outils électriques dans des endroits trempés ou humides, ou sous la pluie, pour éviter tout risque de décharge électrique ou d'électrocution. Maintenir l'atelier bien éclairé pour éviter les chutes ou la mise en danger des bras, mains ou doigts.
- **MAINTENIR LES ENFANTS À L'ÉCART.** Pour leur sécurité, maintenir les visiteurs à l'écart de l'espace de travail. Votre atelier est un environnement potentiellement dangereux.
- **PROTÉGER L'ATELIER À L'AIDE DE DISPOSITIFS À L'ÉPREUVE DES ENFANTS** tels cadenas et interrupteurs principaux, ou en retirant toute clé de démarrage. Le démarrage non autorisé d'une machine par un enfant ou un visiteur comporte des risques de dommages corporels.
- **NE PAS FORCER L'OUTIL.** Il effectuera un meilleur travail, à un degré de sécurité plus élevé, à la vitesse pour laquelle il a été conçu.
- **UTILISER L'OUTIL ADÉQUAT.** Ne pas forcer l'outil, ou un accessoire, pour effectuer un travail pour lequel il n'a pas été conçu. Le fait d'utiliser un outil ou accessoire inadéquat comporte des risques de dommages corporels.
- **UTILISER UNE RALLONGE ADÉQUATE.** S'assurer que la rallonge est en bon état. Si l'appareil est équipé d'un cordon amovible, utiliser seulement des rallonges trifilaires, équipées d'une fiche tripolaire mise à la terre, et les prises tripolaires adaptées. S'assurer que les valeurs nominales de la rallonge utilisée correspondent bien à celle de l'outil alimenté. L'usage d'une rallonge de calibre insuffisant causera une chute de tension entraînant perte de puissance et surchauffe. Le tableau ci-dessous illustre les calibres à utiliser selon la longueur de rallonge et l'intensité nominale indiquée sur la plaque signalétique. En cas de doute, utiliser le calibre suivant. Plus le calibre est petit, plus la rallonge peut supporter de courant.

#### CALIBRES MINIMAUX DES RALLONGES

Volts	Longueur totale de cordon en pieds			
	0-25	26-50	51-100	101-150
120V				
240V	0-50	51-100	101-200	201-300
Intensité (en ampères)				
Supérieur à		Inférieur à		AWG
0	-	6	18	16
6	-	10	18	16
10	-	12	16	16
12	-	16	14	16
				12
				Non recommandé

- **PORTER LES VÊTEMENTS APPROPRIÉS.** Éviter vêtements amples, gants, cravates, bagues, bracelets ou autres bijoux qui pourraient rester coincés dans les pièces mobiles. Il est recommandé de porter des chaussures antidérapantes. Couvrir ou attacher les cheveux longs. Prendre des précautions à proximité des événements car ils cachent des pièces mobiles.
- **ARRIMER LA PIÈCE À TRAVAILLER.** Utiliser des colliers de serrage pour maintenir le travail lorsque c'est utile (particulièrement pour couper avec un espacement nul de plaquette de renfort/plaque de lumière). C'est plus sûr que de le faire manuellement et cela laisse les mains libres pour utiliser l'outil.



- **PORTER SYSTÉMATIQUEMENT DES LUNETTES DE PROTECTION.** Les lunettes courantes NE sont PAS des lunettes de protection. Utiliser aussi un masque antipoussières si la découpe doit en produire beaucoup. Tout utilisateur ou individu présent DOIT porter SYSTÉMATIQUEMENT un équipement de sécurité homologué :
  - Protection oculaire ANSI Z87.1 (CAN/CSA Z94.3) ;
  - Protection auditive ANSI S12.6 (S3.19) ;
  - Protection des voies respiratoires NIOSH/OSHA/MSHA.
- **NE PAS EFFECTUER DE TRAVAUX HORS DE PORTÉE.** Les pieds doivent rester bien ancrés au sol afin de maintenir son équilibre en tout temps. Perdre l'équilibre pourrait occasionner des dommages corporels. Ne pas tenter d'éliminer des matériaux à proximité de la lame de la scie de table alors que celle-ci tourne.
- **PRENDRE SOIN DE SES OUTILS.** Conserver les lames bien affûtées et propres pour des performances optimales et un maximum de sécurité. Suivre toute instruction relative à la lubrification et au changement d'accessoire. Lames ou machines pauvrement entretenues comporte des risques de dommages matériels et/ou corporels.
- **ARRÊTER LA MACHINE ET LA DÉBRANCHER DU SECTEUR** avant d'installer ou retirer tout accessoire, avant tout réglage ou changement de configuration, et avant toute réparation ou changement d'emplacement. Ne pas toucher les broches métalliques lors du branchement ou débranchement du cordon. Tout démarrage accidentel comporte des risques de dommages corporels.
- **RÉDUIRE TOUT RISQUE DE DÉMARRAGE ACCIDENTEL.** S'assurer que l'interrupteur est en position « ARRÊT » avant de brancher l'appareil. En cas de panne de secteur, mettre l'interrupteur en position « ARRÊT ». Tout démarrage accidentel comporte des risques de dommages corporels.
- Ne pas brancher, débrancher l'outil du secteur avec les mains humides.
- **UTILISER LES ACCESSOIRES RECOMMANDÉS.** N'utiliser que des accessoires recommandés par le fabricant de votre modèle particulier. Les accessoires convenant à un modèle d'outil peuvent être dangereux lorsqu'utilisés avec un autre. Consulter le manuel de l'utilisateur pour connaître les accessoires recommandés. L'utilisation d'accessoires inadéquats comporte des risques de dommages corporels.
- Les accessoires magnétiques ne fonctionneront pas avec cette scie.
- **NE JAMAIS MONTER OU S'ASSEOIR SUR L'OUTIL.** De sérieux dommages corporels pourraient en résulter si l'outil basculait ou en cas de contact involontaire avec l'organe de coupe.
- **VÉRIFIER L'ÉTAT DES PIÈCES.** Avant toute nouvelle utilisation de l'outil, tout dispositif de protection, ou autre pièce, endommagé doit être vérifié soigneusement pour déterminer s'il fonctionnera correctement et remplira la fonction pour laquelle il a été conçu. Vérifier les pièces mobiles afin de s'assurer qu'elles sont bien alignées et qu'elles ne restent pas coincées ; vérifier également les pièces pour s'assurer qu'il n'y a aucune cassure ou toute autre condition susceptible de nuire au bon fonctionnement de l'outil. Tout dispositif de protection, ou autre pièce, endommagé doit être réparé correctement ou remplacé. Ne pas utiliser un outil dont l'interrupteur est défectueux. Toute pièce endommagée comporte des risques de dommages matériels supplémentaires et/ou corporels.
- **DIRECTION DE L'ALIMENTATION.** Alimenter la pièce à machiner vers la lame, ou l'organe de coupe, seulement dans la direction inverse de rotation de ces derniers. Les coupes à gorge ou à main levée sont interdites.
- **Laisser un espace de sortie suffisant à l'arrière de la scie pour assurer que le matériau ne restera pas bloqué lors de la coupe.** Des tables de support d'ouvrage devraient être placées aux endroits utiles pour soutenir pleinement le matériau.
- **NE JAMAIS LAISSER L'OUTIL FONCTIONNER SANS SUPERVISION. ARRÊTER SYSTÉMATIQUEMENT L'OUTIL.** Attendre l'arrêt complet de l'outil avant de le laisser pour éviter tout risque de blessure grave.

- **NE PAS UTILISER UN OUTIL ÉLECTRIQUE EN PRÉSENCE DE LIQUIDE OU GAZ INFLAMMABLE OU EN MILIEU DÉFLAGRANT.** Le moteur et les interrupteurs de ces outils pourraient provoquer des étincelles et un incendie.
- **RESTER PRUDENT. RESTER VIGILANT. FAIRE PREUVE DE BON SENS. NE PAS UTILISER LA MACHINE EN CAS DE FATIGUE OU SOUS L'INFLUENCE DE DROGUES, D'ALCOOL OU DE MÉDICAMENTS.** Tout moment d'inattention pendant l'utilisation d'un outil électrique comporte des risques de blessure grave.
- **NE PAS LAISSER LA FAMILIARITÉ AVEC L'OUTIL (gagnée par l'utilisation fréquente de la scie) REMPLACER LES CONSIGNES DE SÉCURITÉ.** Se rappeler qu'il suffit d'une fraction de seconde d'inattention pour causer des dommages corporels sérieux. Prendre des précautions supplémentaires et rester alerte lors de coupes répétitives. Arrêter la scie fréquemment pour éliminer la poussière et vérifier les réglages pour réduire la monotonie.

### Règles de sécurité additionnelles relatives aux bancs de scie circulaire

**⚠ AVERTISSEMENT : PORTER SYSTÉMATIQUEMENT DES LUNETTES DE PROTECTION.** Les lunettes courantes NE sont PAS des lunettes de protection. Utiliser aussi un masque antipoussières si la découpe doit en produire beaucoup. Tout utilisateur ou individu présent DOIT porter SYSTÉMATIQUEMENT un équipement de sécurité homologué :

- Protection oculaire ANSI Z87.1 (CAN/CSA Z94.3) ;
- Protection auditive ANSI S12.6 (S3.19) ;
- Protection des voies respiratoires NIOSH/OSHA/MSHA.

**⚠ AVERTISSEMENT :** n'exposez pas l'outil à la pluie et ne l'utilisez pas dans un endroit humide.

- **ÉVITER LES POSITIONS INSTABLES** qui pourraient provoquer une chute soudaine et entraîner un contact de la lame avec la main.
- **NE JAMAIS UTILISER LA MAIN** pour maintenir la pièce de travail, que ce soit derrière ou autour de l'organe de coupe.
- **ÉLOIGNER LES BRAS, MAINS ET DOIGTS** de la lame pour prévenir tout dommage corporel grave.
- **UTILISER UN POUSSOIR DE FIN DE PASSE APPROPRIÉ À L'APPLICATION EN COURS POUR POUSSER LA PIÈCE VERS LA SCIE.** Un poussoir de fin de passe est un morceau de bois ou de plastique, souvent fait maison, qui devrait être utilisé chaque fois que la taille ou la forme de la pièce à machiner obligerait les mains de s'approcher à moins de 152 mm (6 po) de la lame.
- **UTILISER SUPPORTS, DISPOSITIFS DE FIXATION OU PEIGNES POUR GUIDER ET CONTRÔLER LA PIÈCE À MACHINER.** Les accessoires recommandés pour cet outil sont vendus séparément chez les distributeurs locaux ou dans les centres de réparation agréés. Des instructions pour créer poussoir de fin de passe, guide longitudinal auxiliaire étroit, bloc-poussoir et peignes sont incluses dans ce manuel.
- **N'EFFECTUER AUCUNE COUPE LONGITUDINALE, TRANSVERSALE OU TOUTE AUTRE OPÉRATION À MAIN LEVÉE.**
- **NE JAMAIS** envoyer les mains derrière ou au-dessus de la lame.
- **STABILITÉ** S'assurer que le banc de scie circulaire est fermement arrimé à une surface stable et complètement immobilisé avant toute utilisation.
- **NE JAMAIS DÉCOUPER DE MÉTAUX, CIMENT OU MAÇONNERIE.** Certains matériaux synthétiques doivent être découpés avec des bancs de scie circulaire en suivant des instructions particulières. Suivre systématiquement les recommandations du fabricant pour prévenir tout risque de dommages corporels et matériels.

- **UNE PLAQUE DE LUMIÈRE APPROPRIÉE DOIT ÊTRE SYSTÉMATIQUEMENT INSTALLÉE ET VERROUILLÉE** pour réduire tout risque d'éjection de pièce et de dommages corporels.
- **UTILISER UNE LAME DE SCIE CONÇUE SPÉCIALEMENT POUR L'OPÉRATION DÉSIRÉE.** La rotation de la lame doit se faire vers l'avant de la scie. Serrer fermement l'écrou d'arbre de lame. Avant toute utilisation, vérifier que la lame ne comporte aucune fente ou dents manquantes. Ne pas utiliser de lame endommagée ou émoussée.
- **NE JAMAIS TENTER DE LIBÉRER UNE LAME BLOQUÉE SANS ARRÊTER LA MACHINE ET DÉBRANCHER LA SCIE DU SECTEUR.** Si une pièce ou un rebus reste coincé dans le dispositif du carter de lame, arrêter la scie, et attendre l'arrêt complet de la lame, avant de soulever le dispositif de carter de lame et retirer la pièce coincée.
- **NE JAMAIS REMETTRE LA MACHINE EN MARCHÉ** quand la pièce à machiner se trouve contre la lame, et ce, pour réduire tout risque d'expulsion de la pièce et de dommages corporels.
- **NE JAMAIS LAISSER AUCUNE PARTIE DU CORPS ENTRER DANS LE SILLAGE DE LA LAME.** Il y a des risques de dommages corporels. Se placer d'un côté ou de l'autre de la lame.
- **NE JAMAIS EFFECTUER DE MISE EN PLACE, MONTAGE OU CONFIGURATION** sur l'établi/espace de travail alors que la machine fonctionne. Une chute soudaine pourrait provoquer un contact involontaire de la lame avec les mains. Il y a risque de dommages corporels graves.
- **NETTOYER L'ÉTABLI/L'ESPACE DE TRAVAIL AVANT DE LAISSER LA MACHINE.** Verrouiller l'interrupteur en position d'ARRÊT puis débrancher la scie du secteur pour prévenir toute utilisation illicite.
- Verrouiller **SYSTÉMATIQUEMENT** le guide ou le réglage de biseau avant toute coupe.
- **NE PAS laisser une longue planche (ou toute autre pièce similaire) non soutenue car l'effet de ressort de la planche pourrait la faire glisser de la table et causer perte de contrôle du matériel et dommages corporels.** Fournir un support adéquat à la pièce à machiner compte tenu de sa taille et du type d'opération à effectuer. Maintenir fermement la pièce à machiner contre le guide et à plat sur la surface de la table.
- **SI LA SCIE** fait un bruit inhabituel ou vibre excessivement, arrêter aussitôt toute opération, arrêter l'outil, le débrancher du secteur jusqu'à ce que le problème ait été identifié et corrigé. Si le problème persiste, contacter un centre de réparation d'usine DEWALT, un centre de réparation agréé DEWALT ou tout autre personnel de réparation qualifié.
- **UTILISER LES ACCESSOIRES RECOMMANDÉS.** L'utilisation d'accessoires inadéquats comporte des risques de dommages corporels.
- **NE PAS UTILISER CETTE MACHINE** tant qu'elle n'est pas complètement assemblée et installée suivant les instructions données. Une machine incorrectement assemblée pose des risques de dommages corporels graves.
- **DEMANDER DES CONSEILS** à votre supérieur, instructeur, ou à toute autre personne qualifiée, si vous n'êtes pas complètement familier avec l'utilisation de cette machine. Le savoir est source de sécurité.
- **DES INFORMATIONS COMPLÉMENTAIRES** sur la sécurité et l'utilisation correcte des outils électriques (ex. : vidéo sécurité) sont à votre disposition chez Power Tool Institute (l'Institut des outils électriques) 1300 Sumner Avenue, Cleveland, OH 44115-2851 ([www.powertoolinstitute.com](http://www.powertoolinstitute.com)). Des informations sont aussi à votre disposition auprès du National Safety Council (Conseil National de la Sécurité), 1121 Spring Lake Drive, Itasca, IL 60143-3201. Se reporter à la réglementation OSHA 1910.213 du Département du Travail Américain.

#### TERMINOLOGIE : LA TERMINOLOGIE SUIVANTE SERA UTILISÉE DANS CE MANUEL ET NOUS VOUS RECOMMANDONS DE VOUS FAMILIARISER AVEC SES TERMES.

- **Coupe intégrale** : la pièce à machiner est découpée de bout en bout.
- **Coupe partielle** : la pièce à machiner est découpée en partie.
- **Poussoir de fin de passe** : un morceau de bois ou de plastique, fait maison en général, et utilisé pour pousser une petite pièce vers la scie tout en protégeant les mains de l'utilisateur de la lame.
- **Rebonds** : ils se produisent lorsque la lame de la scie reste coincée dans la ligne de coupe et repousse violemment la pièce à machiner vers l'utilisateur.
- **À main levée** : une coupe sans l'utilisation d'un guide d'onglet ou d'un guide longitudinal ou de tout autre moyen de guider ou maintenir la pièce à travailler autre que les mains de l'utilisateur.  
**⚠ AVERTISSEMENT** : ne jamais effectuer de coupe à main levée.
- **Une coupe en plongée** est représentée par toute coupe où la pièce à travailler est soit abaissée sur la lame alors que la pièce est contrôlée manuellement par l'utilisateur, soit lorsque la pièce est soutenue manuellement par l'utilisateur sur la surface de table et la lame élevée au travers de la pièce.  
**⚠ AVERTISSEMENT** : ne jamais effectuer de coupe en plongée avec cette scie.
- **Coupe double** : inverser le matériau pour le recouper lorsque la scie est incapable de le faire en une seule passe.  
**⚠ AVERTISSEMENT** : il n'est **PAS** recommandé de faire des coupes doubles.
- **Sortie** – l'espace à l'arrière de la scie doit permettre au matériau de sortir complètement de la coupe.

#### DISPOSITIF DE CARTER DE LAME, DISPOSITIF ANTI-REBONDS ET COUTEAU DIVISEUR

Votre banc de scie circulaire est équipé d'un dispositif de carter de lame, d'un dispositif anti-rebonds et d'un couteau diviseur pour couvrir la lame et réduire les risques de contact accidentel avec la lame. Le couteau diviseur est une plaque qui rentre dans la ligne de coupe faite par la lame et combat efficacement les rebonds en réduisant la tendance de la lame à rester coincée dans la coupe. **Les dispositifs de carter de lame et anti-rebonds peuvent seulement être utilisés pour faire des coupes intégrales coupant le bois de bout en bout. Pour effectuer des feuillures ou autres coupes non intégrales, les dispositifs de carter de lame et anti-rebonds doivent être retirés et le couteau diviseur abaissé sur la position de coupe partielle engravée sur le couteau diviseur.** Deux taquets anti-rebonds sont situés de chaque côté du couteau diviseur. Ils permettent au bois de passer au-travers de la lame dans la direction de coupe mais réduisent toute possibilité de rejet arrière du matériau vers l'utilisateur.

Utiliser systématiquement l'ensemble des composants du dispositif de protection (dispositifs de carter de lame et anti-rebonds, couteau diviseur) pour effectuer les opérations pour lesquelles ils ont été conçus, et pendant toute la durée de coupe. Si l'on choisit de ne pas utiliser l'un de ces composants pour une application particulière, prendre des précautions supplémentaires pour garder le contrôle de la pièce. Prendre en considération : l'utilisation de poussoirs de fin de passe, la position des mains par rapport à la lame, l'utilisation de lunettes de protection, tout autre moyen pour éviter les rebonds, et tout autre avertissement inclus dans ce manuel et sur la scie elle-même. **Réinstaller les systèmes de protection dès que l'on recommence à faire des coupes intégrales.** Maintenir les dispositifs de protection en bon état de marche.

#### CRÉATION D'UN POUSSOIR DE FIN DE PASSE (Troisième de couverture)

- Pour utiliser le banc de scie circulaire en toute sécurité, il est recommandé d'utiliser un poussoir de fin de passe chaque fois que la taille ou la forme de la pièce à machiner oblige les mains de s'approcher à moins de 152 mm (6 po) de la lame. Un poussoir de fin de passe est inclus avec cette scie.

- Pour faire d'autres poussoirs de fin de passe, aucun bois particulier n'est requis, tant qu'il sera assez solide et assez long. Il est recommandé de lui donner une longueur de 400 mm (15,7 po) avec une encoche qui s'encastre dans le bord de la pièce à travailler pour éviter qu'elle ne glisse. Il est bon d'avoir plusieurs poussoirs de fin de passe de la même longueur, 400 mm (15,7 po), avec des tailles d'encoches différentes pour les ajuster à l'épaisseur de la pièce.
- Se reporter à la photo d'un poussoir de fin de passe en troisième de couverture. La forme peut varier selon vos besoins tant que celui-ci remplira sa fonction de protéger vos mains de la lame.

## REBONDS

Les rebonds peuvent causer des dommages corporels graves. Un rebond se produit lorsqu'une portion de la pièce à machiner reste coincée entre la lame et le guide longitudinal, ou tout autre objet fixe, et projette la pièce hors de la table vers l'utilisateur. Les rebonds peuvent être évités en prenant les mesures suivantes.

### Comment les éviter et vous protéger de dommages corporels possibles

- a. S'assurer que le guide longitudinal est bien parallèle à la lame.
- b. Ne pas découper longitudinalement en appliquant la force d'avance à la section de la pièce à travailler qui est destinée à devenir la chute. Pour une coupe longitudinale, la force d'avance doit systématiquement être appliquée entre la lame et le guide. Utiliser un poussoir de fin de passe pour les pièces de moins de 152 mm (6 po) de large.
- c. Maintenir en place, et en bon état de marche, les dispositifs de carter de lame, de rebonds et le couteau diviseur. Si le dispositif anti-rebonds n'est pas opérationnel, rapporter votre appareil dans le centre de réparation DEWALT le plus proche. Le couteau diviseur doit être aligné avec la lame de scie et le dispositif anti-rebonds doit arrêter les rebonds dès le début. Vérifier leur fonctionnement avant de faire des coupes longitudinales en poussant le bois sous le dispositif anti-rebonds. Les dents doivent empêcher le bois d'être attiré vers l'avant de la scie.
- d. Les plastiques et matériaux composites (comme les planchers lamellaires) peuvent être découpés avec cette scie. Cependant, comme ils sont généralement plutôt durs et glissants, il se peut que les taquets anti-rebonds ne puissent pas prévenir les rebonds. Aussi, faire preuve d'une prudence extrême au niveau de la configuration et des procédures lors de leur coupe longitudinale.
- e. Utiliser les dispositifs de carter de lame et anti-rebonds et le couteau diviseur pour chaque opération pour laquelle ils peuvent être utilisés, y compris toutes les coupes intégrales.
- f. Pousser la pièce au-delà de la lame de scie avant de la relâcher.
- g. **NE JAMAIS** découper longitudinalement une pièce gondolée ou déformée, ou sans bord droit pour la guider le long du guide.
- h. **NE JAMAIS** scier une pièce trop large pour être contrôlée.
- i. **NE JAMAIS** utiliser le guide en tant que guide ou butée de longueur pour faire des coupes transversales.
- j. **NE JAMAIS** scier une pièce comportant nœuds séparés, défauts, clous ou autres objets étrangers.
- k. **NE JAMAIS** couper longitudinalement une pièce de moins de 254 mm (10 po).
- l. **NE JAMAIS** utiliser de lame émoussée, la remplacer ou la faire affûter.

**AVERTISSEMENT** : les scies, meules, ponceuses, perceuses ou autres outils de construction peuvent produire des poussières contenant des produits chimiques reconnus par l'État californien pour causer cancers, malformations congénitales ou être nocifs au système reproducteur. Parmi ces produits chimiques, on retrouve :

- Le plomb dans les peintures à base de plomb ;
- La silice cristallisée dans les briques et le ciment, ou autres produits de maçonnerie ; et
- L'arsenic et le chrome dans le bois ayant subi un traitement chimique.

Le risque associé à de telles expositions varie selon la fréquence à laquelle on effectue ces travaux. Pour réduire toute exposition à ces produits : travailler dans un endroit bien aéré, en utilisant du matériel de sécurité homologué, tel un masque antipoussières spécialement conçu pour filtrer les particules microscopiques.

- **Limiter tout contact prolongé avec les poussières provenant du ponçage, sciage, meulage, perçage ou autres activités de construction. Porter des vêtements de protection et nettoyer à l'eau savonneuse les parties du corps exposées.** Le fait de laisser la poussière pénétrer dans la bouche, les yeux ou la peau peut promouvoir l'absorption de produits chimiques dangereux.

**AVERTISSEMENT** : Cet outil peut produire et/ou répandre de la poussière susceptible de causer des dommages sérieux et permanents au système respiratoire. Toujours utiliser un appareil respiratoire antipoussières homologué par le NIOSH ou l'OSHA. Diriger les particules dans le sens opposé au visage et au corps. Utiliser systématiquement l'outil dans un local bien aéré tout en utilisant un matériel de dépoussiérage approprié. Utiliser un système d'aspiration des poussières chaque fois que possible.

## CONSERVER CES CONSIGNES POUR UTILISATION ULTÉRIEURE

### Fiche technique

Ampères	15 A
Angle d'onglet	60° G et D
Angle de biseautage	-2° à 45° G
Diamètre de la lame	254 mm (10 po)
Profondeur de coupe max.	biseau de 0° 79 mm (3-1/8 po)
Profondeur de coupe max.	biseau de 45° 57 mm (2-1/4 po)
Régime, à vide	4 800 tr/min

### Désemballage

**AVERTISSEMENT** : pour réduire tout risque de dommages corporels, **NE PAS** brancher la machine sur le secteur tant que le banc de scie circulaire n'est pas été complètement assemblé et que vous n'avez pas lu le manuel de l'utilisateur dans sa totalité.

Ouvrir la boîte et retirer la scie comme indiqué à la figure 1. Déballez soigneusement la scie circulaire à table et toutes les pièces détachées comprises dans l'emballage. Examiner toutes les pièces pour toute trace de dommages infligés en cours d'expédition. Si une ou plusieurs pièces sont manquantes ou endommagées, communiquer avec le concessionnaire pour les remplacer avant l'assemblage de l'outil.

Se reporter à la figure 2 pour la description des pièces détachées et la quincaillerie livrées avec l'outil.

1. Guide longitudinal
2. Clé d'arbre et clé à broche (attachées au socle de la scie)
3. Dispositif de carter de lame
4. Guide d'onglet
5. Poussoir de fin de passe (attaché au guide longitudinal)

**AVERTISSEMENT** : pour réduire tout risque de dommages corporels graves, avoir le poussoir de fin de passe à portée de main avant de commencer à scier.

FIG. 1

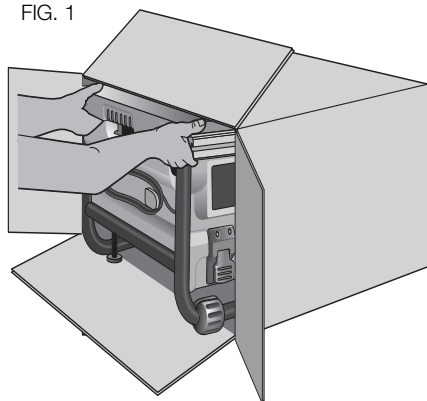
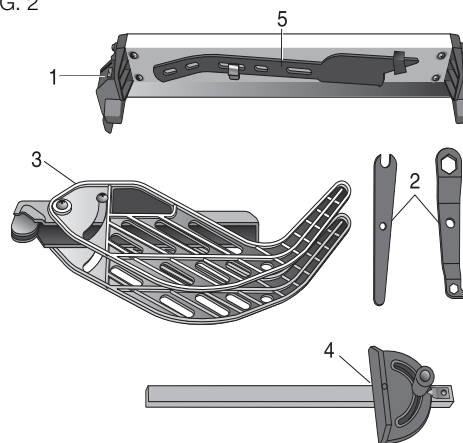


FIG. 2



### CARACTÉRISTIQUES (Fig. 3, 4)

Examinez la figure 3 et pour vous familiariser avec la scie et ses différentes pièces. Les sections concernant l'assemblage et les réglages renverront à ces termes et il faut savoir quelles sont les différentes pièces et où elles se trouvent.

- |   |  |
|---|--|
| A. Table                                      | L. Indicateur de guide longitudinal            |
| B. Guide d'onglet                             | M. Pieds ajustables                            |
| C. Lame                                       | N. Trous de fixation                           |
| D. Dispositif de carter de lame               | O. Rembobineur                                 |
| E. Guide                                      | P. Poignée                                     |
| F. Barres de guidage                          | Q. Dispositif anti-rebonds                     |
| G. Guide longitudinal avant/verrou postérieur | R. Goupille de positionnement                  |
| H. Bouton de réglage fin                      | S. Goulotte à poussière                        |
| I. Volant de réglage de la hauteur de la lame | T. Déflecteur de poussière la barre de guidage |
| J. Poignée de blocage du biseau               | U. Poussoir                                    |
| K. Interrupteur MARCHE/ARRÊT                  | V. Clés pour arbre et broche                   |
|   | W. Poignée de blocage de                       |

### ASSEMBLAGE

**⚠AVERTISSEMENT : risque de choc électrique. Pour réduire le risque de blessures corporelles graves, éteindre l'appareil et le débrancher avant tout déplacement, changement d'accessoires ou réglages.**

#### ASSEMBLER LA SCIE DANS L'ORDRE SUIVANT ASSEMBLER LA SCIE DANS L'ORDRE SUIVANT

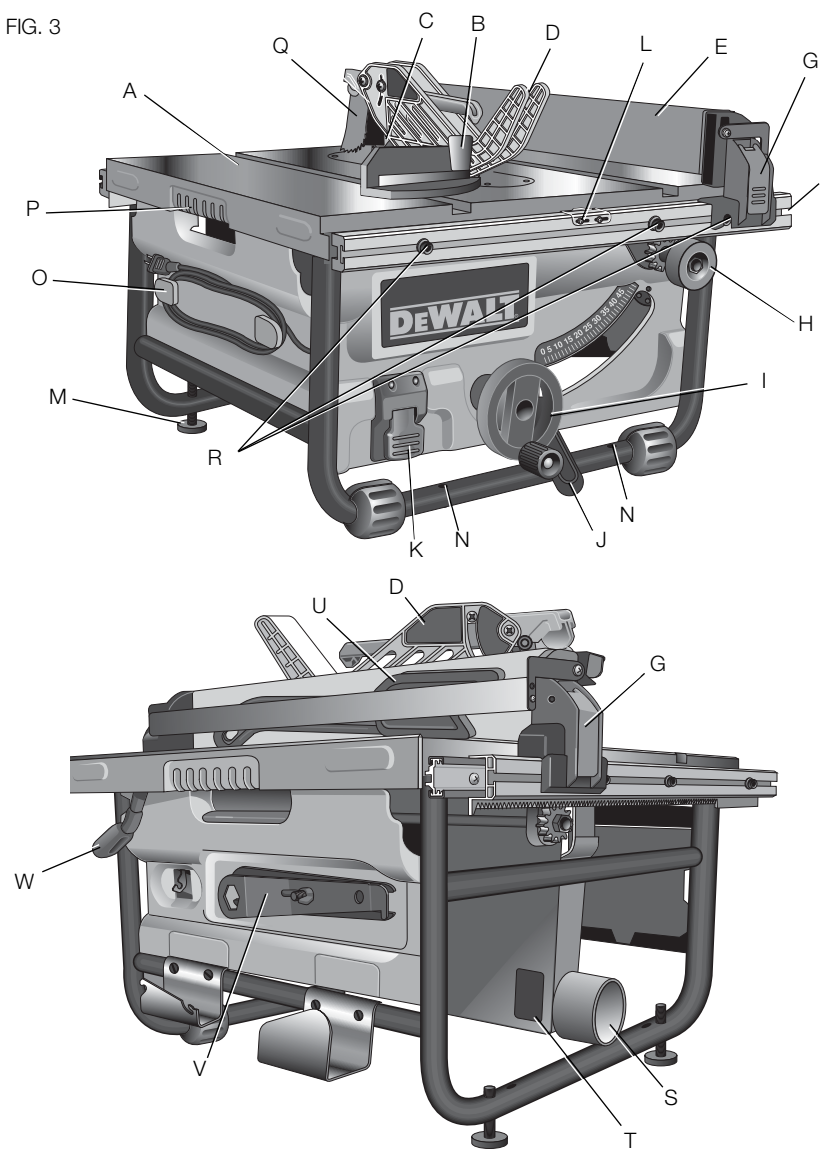
1. Guide longitudinal (**REMARQUE** : réglez l'échelle de coupe avant de continuer. Se rapporter à la section **Réglage de l'échelle de coupe** sous **Réglage.**)
2. Positionnement du couteau diviseur
3. Dispositif anti-rebonds
4. Dispositif de carter de lame

5. Guide d'onglet (si requis pour l'application)

**REMARQUE** : aucun outil n'est nécessaire pour l'assemblage.

**REMARQUE** : les clés incluses avec la scie servent à retirer et changer les lames.

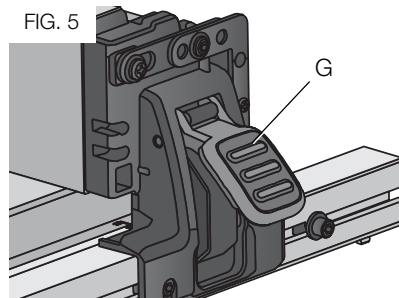
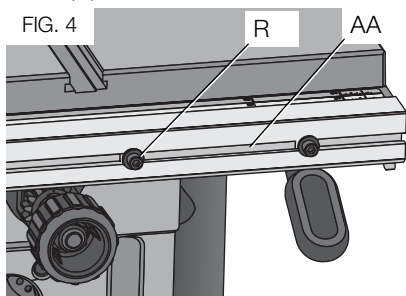
FIG. 3



## Installation du Guide Longitudinal (Fig. 3-5)

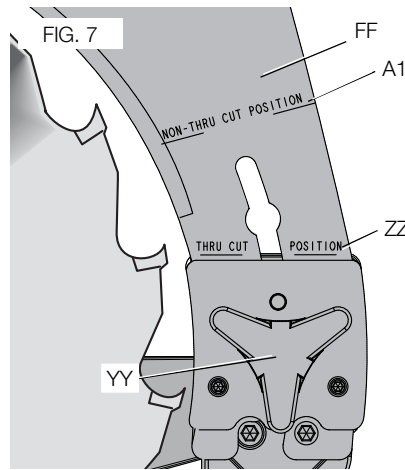
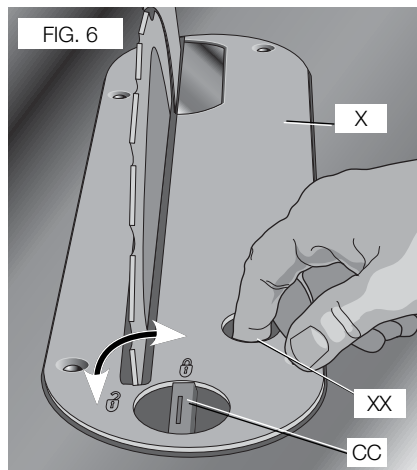
Le guide longitudinal peut être installé sur deux positions à droite (Position 1 pour coupes longitudinales de 0 à 20 po, et Position 2 pour coupes longitudinales de 4 à 24 po) et une position à gauche de la scie de table.

1. Alignez la goupille de positionnement (R) du rail du guide sur l'orifice de tête du guide et alignez le verrou (G) sur l'ouverture (AA).
2. Arrimez le guide longitudinal en enclenchant les systèmes de verrouillage sur les rails, comme illustré en figure 5. Assurez-vous de bien enclencher les deux verrous, l'avant et l'arrière (G).



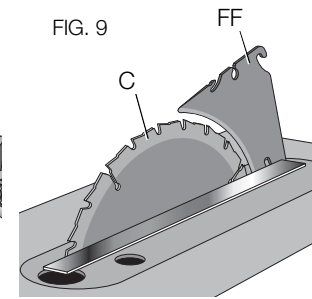
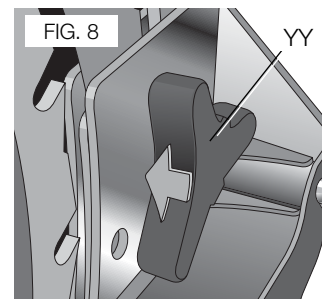
## Pour Retirer la Plaque De Lumière (Fig. 6)

1. Retirez la plaque de lumière (X) en tournant le bouton de verrouillage de came (CC) d'un quart de tour vers la gauche.
2. En utilisant le trou passe-doigt (XX) sur la plaque, tirez la plaque de lumière vers le haut et l'avant pour exposer l'intérieur de la scie.



## Positionnement Du Couteau Diviseur (Fig. 7-9)

1. Relevez l'arbre de lame à sa hauteur maximale.
2. Desserrez le bouton de verrouillage du couteau diviseur (YY) (minimum de trois tours).
3. Pour désengager la goupille de sécurité du couteau diviseur, poussez le bouton de verrouillage vers le couteau diviseur comme indiqué par les flèches sur le bouton.



4. Soulevez et poussez le couteau diviseur à la position approximative indiquée par les marquages (position intégrale et partielle) sur le couteau diviseur, et la goupille de sécurité s'enclenche en place.
5. Resserrez le bouton de verrouillage du couteau diviseur.

**⚠AVERTISSEMENT :** avant de brancher le banc de scie circulaire sur le secteur ou d'utiliser la scie, inspecter systématiquement l'alignement et l'espace entre la lame et le dispositif de carter de lame et le couteau diviseur. Vérifier l'alignement après chaque changement d'angle de biseau.

**REMARQUE :** NE PAS utiliser la scie si le couteau diviseur n'est pas verrouillé dans le trou de position de coupe intégrale (ZZ) ou coupe partielle (A1).

L'alignement sera correctement réalisé, lorsque le couteau diviseur sera aligné avec la lame à la fois au niveau supérieur de la table et au sommet de la lame. À l'aide d'un guide de chant, assurez-vous que la lame (C) est alignée avec le couteau diviseur (FF), comme illustré en figure 9. Quand la scie est débranchée, faites fonctionner les réglages d'inclinaison et de hauteur de lame d'un extrême à l'autre, et assurez-vous que le dispositif de carter de lame ne touche pas la lame pendant l'ensemble de l'opération, et que le dispositif anti-rebonds fonctionne correctement.

## Pour Réinstaller La Plaque De Lumière (Fig. 6)

1. Alignez la plaque de lumière comme illustré en figure 6, et insérez les languettes à l'arrière de la plaque dans les trous à l'arrière de l'ouverture de la table.
2. Tournez la came vers la gauche jusqu'à ce que l'avant de la plaque de lumière s'encastre en place. Arrimez-la en faisant tourner le bouton de verrouillage de came (CC) vers la droite d'un quart de tour (lorsque le verrou de came se trouve sous la table, maintenant ainsi la plaque de lumière en place).
3. La plaque de lumière comprend quatre vis de réglage pour la hausser ou l'abaisser. Lorsqu'elle est ajustée correctement, l'avant de la plaque de lumière se trouve à raz ou légèrement sous la surface de la table, et bien arrimée. L'arrière de la plaque de lumière doit être à raz ou légèrement au-dessus de la surface de la table.

**⚠AVERTISSEMENT :** pour réduire tout risque de dommages corporels graves, la plaque de lumière doit être systématiquement verrouillée en place.

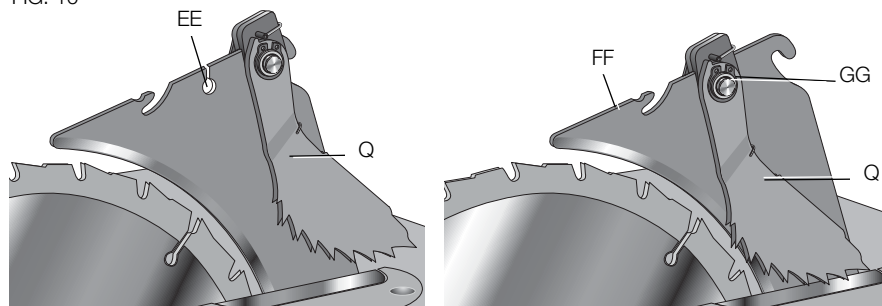
## Dispositif anti-rebonds (Fig. 10)

**⚠AVERTISSEMENT :** pour réduire tout risque de dommages corporels graves, le dispositif anti-rebonds doit être installé pour toutes les coupes où c'est possible.

1. Retirez le dispositif anti-rebonds (Q) de sa position de stockage. Se reporter à la section **Stockage**.
2. Repérez le trou et la fente d'installation (EE) du dispositif anti-rebonds sur la partie supérieure du couteau diviseur (FF).

3. Poussez l'ensemble du dispositif anti-rebonds le long de la partie supérieure du couteau diviseur jusqu'à ce que sa goupille (GG) rencontre la fente au-dessus du trou d'installation. Appuyez sur la goupille (GG) du dispositif anti-rebonds pour permettre à l'ensemble de rentrer dans le trou (EE). Appuyez à fond sur le dispositif anti-rebonds jusqu'à ce qu'il s'encastre et verrouille l'ensemble. **REMARQUE :** Tirez sur le dispositif anti-rebonds pour vous assurer qu'il est bien verrouillé en place.

FIG. 10



### Dispositif de carter de lame (Fig. 11, 12)

#### INSTALLATION DU DISPOSITIF DE CARTER DE LAME

**⚠AVERTISSEMENT :** pour réduire tout risque de dommages corporels graves, le dispositif de carter de lame doit être installé pour toutes les coupes où c'est possible.

1. Tout en maintenant le dispositif de carter de lame (D) en position verticale, insérez la goupille (HH) dans la fente (II) du couteau diviseur en centrant ce dernier au sein de l'encoche en « v » du dispositif de protection supérieur. Se reporter en figure 11.
2. Tournez le dispositif de carter de lame vers l'avant de la scie tout en maintenant la goupille (HH) au sommet de la fente du couteau diviseur. Tournez jusqu'à ce que le dispositif de carter de lame soit parallèle à la table. Se reporter en figure 12.
3. Abaissez le levier de verrouillage du carter de lame (WW) jusqu'à ce qu'il s'encastre en position de verrouillage. Vérifiez que le dispositif de protection est bien verrouillé sur le couteau diviseur. Si le dispositif de protection n'est pas verrouillé, le levier de verrouillage du carter basculera en position ouverte.

FIG. 11

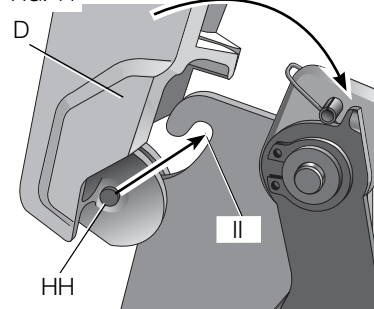


FIG. 12

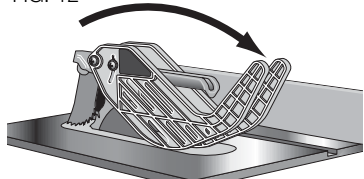


FIG. 12A

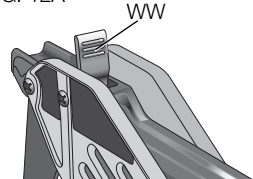
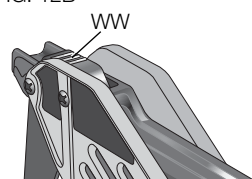


FIG. 12B



#### RETRAIT DU DISPOSITIF DE CARTER DE LAME

1. Levez le levier de verrouillage (WW) du dispositif de carter de lame pour le déverrouiller.
2. Tournez le carter de lame vers l'arrière et faites glisser la goupille hors de la fente du couteau diviseur.

### Guide d'onglet (Fig. 13)

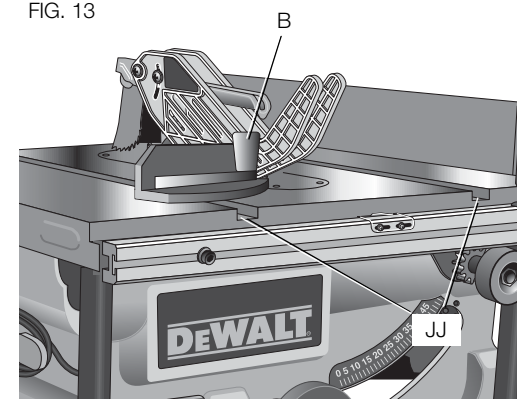
**REMARQUE :** il est possible d'utiliser un guide d'onglet à bord large.

#### FIXATION DU GUIDE D'ONGLET

Le modèle DWE7480 comprend un guide d'onglet (B) pour le tronçonnage de pièces. Utiliser le guide d'onglet en l'insérant dans l'une des deux rainures (JJ) de guide d'onglet sur le dessus du banc.

**REMARQUE :** consulter les directives de tronçonnage et de tronçonnage biseauté avant d'exécuter ces opérations sur le banc de scie.

FIG. 13



### Montage Sur Établi

**REMARQUE :** un socle portable pour la scie est conçu pour une utilisation avec cette scie et est offert chez un distributeur ou un centre de réparation DEWALT régional moyennant des frais supplémentaires.

#### ASSEMBLAGE DE LA SCIE À L'ÉTABLI

**⚠AVERTISSEMENT :** pour réduire le risque de blessures corporelles graves, éteindre l'appareil et le débrancher avant tout déplacement, changement d'accessoires ou réglages. Un démarrage accidentel peut provoquer des blessures.

**⚠ATTENTION :** pour réduire le risque de blessures corporelles, s'assurer que le banc de scie soit fermement fixé avant de l'utiliser.

La scie circulaire à table doit être fermement fixée. On retrouve quatre trous de fixation (N, Fig. 3) dans le cadre métallique à cet effet. Il est fortement recommandé d'utiliser ces trous pour ancrer la scie circulaire à table sur l'établi ou un autre support de travail fixe et rigide.

**⚠ATTENTION :** s'assurer que la surface soit suffisamment stable de sorte que des grandes pièces ne feront pas basculer l'ensemble.

1. Centrer la scie sur la surface de travail stable choisie.
2. Visser quatre longues vis de 88,9 mm (3-1/2 po) dans les trous du cadre métallique. S'assurer que les vis traversent le cadre et les fixer solidement à la surface de travail de soutien.

Si le bariolage de la surface de travail de soutien s'avère un problème, il est possible d'assembler le modèle DWE7480 à des chutes de bois qui seront à leur tour fixées à la surface de travail choisie.

1. Couper une pièce de contreplaqué de 19 mm (3/4 po) pour insérer sous la surface de contact de la scie.
2. Visser la scie au contreplaqué et fixer les extrémités de bois qui dépassent à la surface de travail. Si les vis font saillie au-dessous de la base en contreplaqué, insérer deux pièces de chute de matériel d'épaisseur égale et les attacher aux bords du contreplaqué pour maintenir la scie hors de la surface de travail et empêcher ainsi les vis de barioler la surface.

### Branchement de la scie

**⚠AVERTISSEMENT :** pour réduire le risque de blessure, s'assurer que l'interrupteur soit en position d'ARRÊT avant de brancher la scie à la source d'alimentation.

S'assurer que le bloc d'alimentation est compatible avec l'inscription de la plaque signalétique. L'abréviation c.a. signifie que la scie fonctionnera uniquement en courant alternatif. Une diminution de tension de 10 pour cent ou plus risquera de provoquer une perte de puissance et une surchauffe. Tous les outils DEWALT sont testés en usine. Si l'outil ne fonctionne pas, vérifier l'alimentation.

## Interrupteur Marche/Arrêt (Fig. 14)

**⚠ AVERTISSEMENT :** pour réduire le risque de blessures, s'assurer que l'interrupteur soit en position d'ARRÊT avant de brancher l'appareil.

Relever l'interrupteur (K) MARCHE/ARRÊT pour mettre la scie sous tension et l'abaisser complètement pour l'éteindre.

Le contacteur comporte un trou (KK) pour l'insertion d'un cadenas avec tige amovible pour verrouiller la scie à l'arrêt.

**REMARQUE :** il sera impossible d'insérer un cadenas conventionnel.

## Fonctionnement du guide longitudinal

### POIGNÉE DE BLOCAGE DE LA BARRE DE GUIDAGE (FIG. 15)

La poignée de blocage de la barre de guidage (W) bloque le guide en position pour empêcher tout mouvement en cours de coupe. **Pour verrouiller la poignée de blocage**, l'enfoncer et la déplacer vers l'arrière de la scie. **Pour déverrouiller**, la tirer vers le haut et la déplacer vers l'avant de la scie.

**REMARQUE :** lors de sciage en long, toujours verrouiller la poignée de blocage de la barre de guidage.

### SUPPORT TÉLESCOPIQUE/GUIDE LONGITUDINAL ÉTROIT (Fig. 15, 16)

Votre scie de table est équipée d'un guide longitudinal étroit qui peut aussi soutenir toute pièce qui dépasserait de la table de scie.

Pour utiliser le guide longitudinal étroit en position de support d'ouvrage, faites le sortir de son logement, comme illustré en figure 16, et poussez les goupilles sur l'ensemble des orifices inférieurs à chaque extrémité du guide.

Pour utiliser le guide longitudinal étroit en position de coupe longitudinale étroite, enclenchez les goupilles sur l'ensemble des orifices supérieurs à chaque extrémité du guide.

Cette fonctionnalité offrira un espacement supplémentaire de 51 mm (2 po) à la lame. Si un espacement supérieur est nécessaire, suivez les directions pour fabriquer un guide auxiliaire du paragraphe **Guide longitudinal auxiliaire étroit** de la section **Utilisation**.

FIG. 15

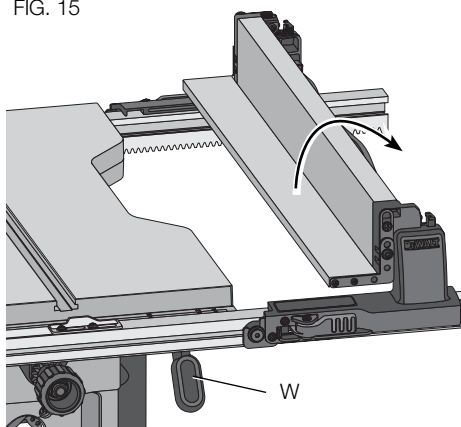


FIG. 16

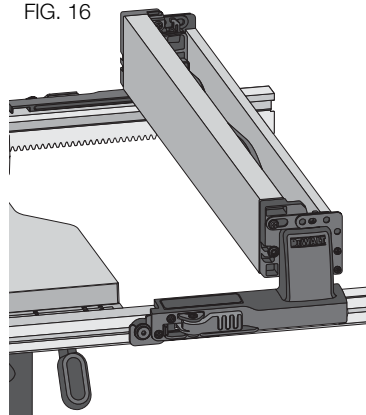
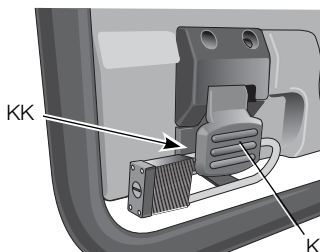


FIG. 14



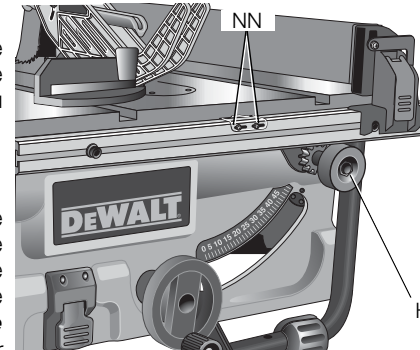
## BOUTON DE RÉGLAGE FIN (FIG. 17)

Le bouton de réglage fin (H) permet de petits ajustements lors du réglage du guide. Avant de débiter le réglage fin, s'assurer que la poignée de blocage de la barre de guidage est relevée ou en position déverrouillée.

## POINTEUR DE L'ÉCHELLE DE SCIAGE EN LONG

Il sera nécessaire de régler le pointeur de l'échelle de sciage en long pour optimiser la performance du guide longitudinal si l'utilisateur permute entre des lames à trait fin et des lames à trait large. Se reporter à la rubrique **Réglage de l'échelle de sciage en long** sous la section **Réglages pour les directives d'alignement**.

FIG. 17



## Réglages

**⚠ AVERTISSEMENT :** pour réduire le risque de blessures, éteindre l'appareil et le débrancher avant d'installer ou de retirer tout accessoire, avant d'ajuster ou de modifier les réglages, ou lors de réparations. Un démarrage accidentel peut provoquer des blessures.

**REMARQUE :** la scie est réglée en usine de manière complète et précise au moment de sa fabrication. Si un nouveau réglage est requis à cause de l'expédition, du transport ou d'une autre raison, suivre la procédure suivante pour régler la scie :

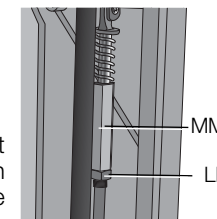
Lorsque ces réglages ont été effectués, ils devraient conserver leur précision. Passer maintenant quelques instants à suivre ces directives attentivement afin de profiter de l'intégralité de la précision dont la scie est capable.

## RÉGLAGE DU SYSTÈME DE BLOCAGE DE LA BARRE DE GUIDAGE (FIG. 3, 18)

### (Serrage du système de fixation du guide)

1. Verrouiller la poignée de blocage de la barre de guidage (W).
2. Desserrer l'écrou (LL) de la face inférieure de la scie.
3. Serrer la tige hexagonale (MM) jusqu'à ce que le ressort du système de verrouillage soit comprimé et crée la tension recherchée sur la poignée de blocage de la barre. Resserrer le contre-écrou contre la tige hexagonale.
4. Vérifier l'immobilité du guide lorsque la poignée est engagée. Si le guide est encore un peu lâche, comprimer davantage le ressort.

FIG. 18

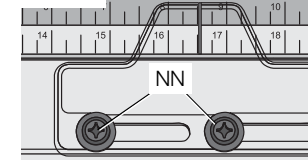


## RÉGLAGE DE L'ÉCHELLE DE COUPE (Fig. 3, 19)

1. Ouvrez le levier de verrouillage de rail (W).
2. Réglez la lame sur le chanfrein 0° et déplacez le guide vers l'intérieur jusqu'à ce qu'il touche la lame.
3. Refermez le levier de verrouillage de rail.
4. Desserrez les vis de l'indicateur d'échelle de coupe (NN) et réglez l'indicateur d'échelle de coupe sur zéro (0). Resserrer les vis de l'indicateur d'échelle de coupe. **REMARQUE :**

la lecture de l'échelle de coupe jaune (supérieure) est valide seulement lorsque le guide est installé à droite de la lame, et se trouve en position 1 (pour une coupe longitudinale de 0 à 20 po, et non pas dans la position de coupe longitudinale de 24 po). La lecture de l'échelle de coupe blanche (inférieure) est valide seulement lorsque le guide est installé à droite de la lame et en position 2 (coupe longitudinale de 4 à 24 po).

FIG. 19



## RÉGLAGE DE L'ALIGNEMENT DE LAME (Lame parallèle à la fente d'onglet)

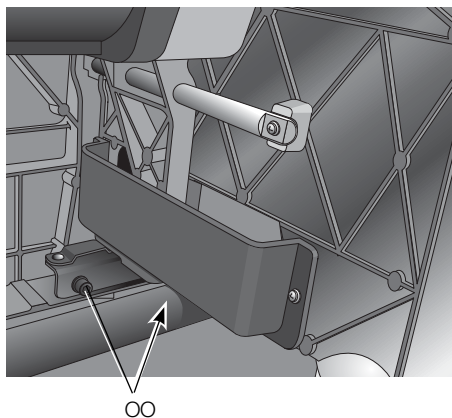
**⚠AVERTISSEMENT :** risques de coupure.

Vérifier la lame à 0° et 45° pour s'assurer que la lame ne rentre pas en contact avec la plaque de lumière et cause des dommages corporels.

Si la lame ne semble plus alignée avec la fente d'onglet sur le dessus de la table, il faudra effectuer un recalibrage. Pour réaligner la lame et la fente d'onglet, suivez la procédure ci-après :

1. Situez les vis de positionnement hexagonales noires (OO) qui maintiennent l'attache au fond de la table à l'arrière de la scie.
2. Dévissez les deux vis et alignez la lame sur la fente d'onglet. Assurez-vous de bien vérifier le parallélisme entre la fente d'onglet et l'arrière et l'avant de la lame.
3. Resserrez fermement les vis pour arrimer l'attache et le dispositif de lame à la table sur la position parallèle.

FIG. 20



## RÉGLAGE DE L'ALIGNEMENT DU GUIDE (FIG. (FIG. 3, 4) (lame parallèle au guide)

En cas de problème avec l'alignement du guide, et qu'il s'avère nécessaire de redresser le parallélisme entre le guide et la lame, assurez-vous de vérifier d'abord l'alignement de la lame et de la fente d'onglet. Une fois que ces derniers sont alignés, effectuez l'alignement entre la lame et le guide de la façon suivante :

1. Déverrouillez le levier de verrouillage de rail (W) et situez les deux goupilles de positionnement (R) du guide qui retiennent le guide aux rails avant et arrière.
2. Dévissez la goupille de positionnement arrière et ajustez la position du guide dans la rainure sur le guide jusqu'à ce que le guide soit parallèle à la lame. Assurez-vous de bien vérifier l'alignement de la face de guide avec l'avant et l'arrière de la lame.
3. Resserrez les goupilles de positionnement et répétez l'opération sur le côté gauche de la lame.
4. Vérifiez le réglage de l'échelle de coupe longitudinale.

## RÉGLAGE DE LA BUTÉE ET DE L'INDICATEUR DE CHANFREIN (Étalonnage de la graduation de chanfrein)

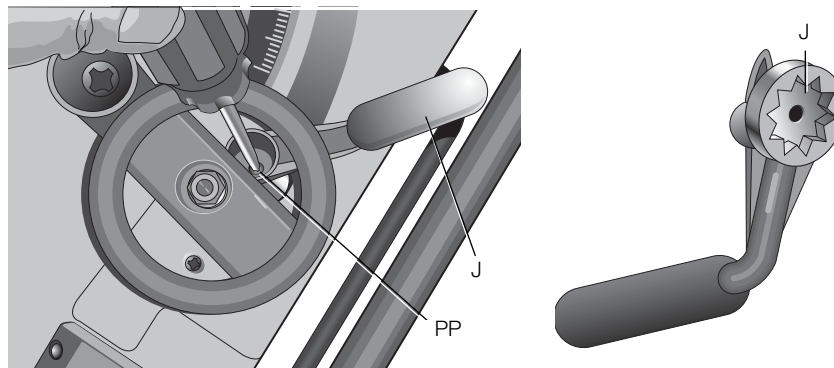
L'étalonnage du dispositif de chanfrein sur la scie peut devoir se faire en deux étapes : une pour la graduation de chanfrein et l'autre pour l'indicateur de chanfrein. La graduation doit être vérifiée avant de passer au réglage de l'indicateur rouge.

## RÉGLAGE DU DISPOSITIF DE BLOCAGE DE BISEAU (FIG. 21)

Le levier de blocage de biseau (J) pourrait exiger un réglage pour maintenir la force de verrouillage.

Pour ce faire, mettre le levier de blocage à la position verrouillée. Utilisez un tournevis pour vis en croix pour retirer la vis (PP) maintenant le levier de verrouillage en place (Fig. 21). Enlever le levier de blocage du boulon de blocage, puis mettre le levier à la position voulue. Insérer la vis (PP), puis bien la serrer solidement.

FIG. 21



## Partie A – Réglage du système de graduation de chanfrein (Fig. 22, 23)

1. Retirez le dispositif de carter de lame de la scie et haussez la lame au maximum sur la table.
  2. Déverrouillez le levier de verrouillage de chanfrein (J) et desserrez la vis de butée de chanfrein (QQ).
  3. Appliquez une équerre contre la table et la lame.
- REMARQUE :** assurez-vous de placer l'équerre entre les dents de la lame pour obtenir une mesure exacte.
4. Ajustez l'angle de biseau jusqu'à ce que la lame se trouve à plat contre l'équerre. Verrouillez le levier de verrouillage de chanfrein (J).
  5. Tournez la came de butée de chanfrein (RR) jusqu'à obtenir un contact ferme avec le moulage de l'attache. Vissez la vis de butée de chanfrein.
  6. Répétez cette procédure à 45° à l'aide d'une équerre à dessin ou une boîte à onglets.

## Partie B – Réglage de l'indicateur de graduation de chanfrein

**REMARQUE :** passez à cette étape seulement si la partie A a été complétée.

7. Vérifiez l'angle de biseau sur la graduation. Si l'indicateur n'est pas sur 0°, desserrez la vis de l'indicateur (SS) et déplacez-le sur le 0° de la graduation de chanfrein. Resserrez la vis de l'indicateur.

FIG. 22

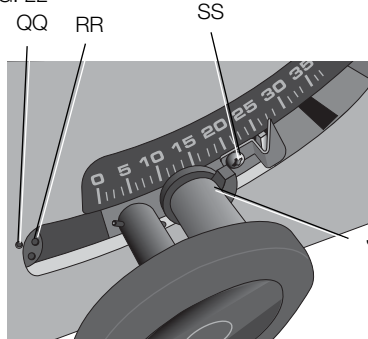
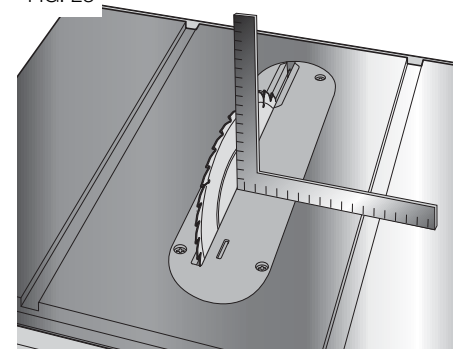


FIG. 23





## RÉGLAGE DU GUIDE D'ONGLET (FIG. 24) (Étalonnage du pointeur du guide d'onglet)

Le guide d'onglet comporte des butées réglables aux angles de 90° et 45° à gauche et à droite.

Pour régler le guide d'onglet, desserrer la vis (TT) et le déplacer à la position voulue. Serrer la vis contre la plaque de butée (Fig. 24).

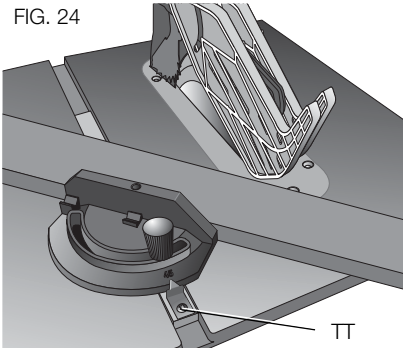


FIG. 24

## ALIGNEMENT DU COUPEAU DIVISEUR ET DE LA LAME (FIG. 25)

1. Retirez la plaque de lumière. Se reporter à la section **Retrait de la plaque de lumière** sous **Montage**.
2. Ajustez la lame à la profondeur de coupe maximale pour un angle de biseau de 0°.
2. Si nécessaire, ajustez le couteau diviseur (FF) sur la position de coupe intégrale (ZZ) ou la position la plus haute. Se reporter à la section **Positionnement du couteau diviseur** sous **Montage**.
4. Situez les quatre petites vis de pression (A2) près du bouton de verrouillage du couteau diviseur (YY). Ces vis sont utilisées pour ajuster la position du couteau diviseur.
5. Posez un guide de chant sur la table contre deux pointes de lame. Le couteau diviseur ne devrait pas toucher le guide de chant. Si nécessaire, dévissez les deux larges vis de blocage (A3).
6. Ajustez les petites vis de pression (A2) pour déplacer le couteau diviseur en suivant la position notée à l'étape 5. Posez le guide de chant à l'opposé de la lame et répétez l'ajustement si nécessaire.
7. Vissez légèrement les deux larges vis de blocage (A3).
8. Disposez une équerre contre le couteau diviseur pour vérifier qu'il est bien vertical et aligné avec la lame.
9. Si nécessaire, utilisez les vis de pression pour aligner verticalement le couteau diviseur avec l'équerre.
10. Répétez les étapes 5 et 6 pour vérifier la position du couteau diviseur.
11. Vissez fermement les deux large vis de blocage (A3).

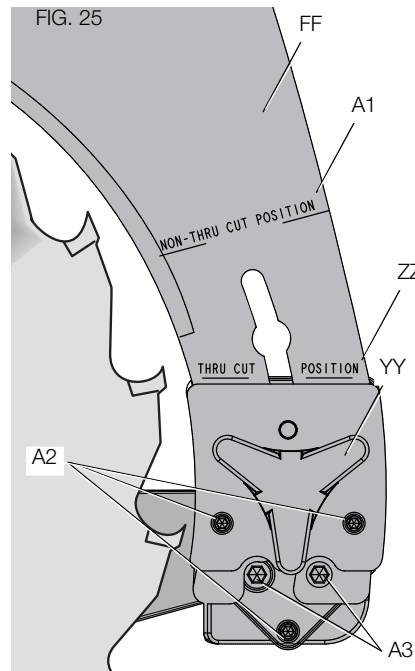


FIG. 25

## Lames de scie

**⚠AVERTISSEMENT :** pour fonctionner correctement, les coupeurs diviseurs doivent cadrer avec les dimensions de la lame. Se reporter à la section **Couteau diviseur**.

**REMARQUE :** CETTE SCIE A ÉTÉ CONÇUE POUR ÊTRE UTILISÉE SEULEMENT AVEC DES LAMES DE SCIE D'UN DIAMÈTRE DE 254 mm (10 po). Voir figure 26.

**REMARQUE :** la présente scie n'est pas prévue pour une utilisation avec des lames pour rainurage et des lames pour coupe de moulures. Il y a risque de blessure corporelle.

1. La lame de scie livrée avec la nouvelle scie est une lame combinée de 254 mm (10 po), à utiliser pour le tronçonnage (coupe à travers le fil du bois) et le sciage en long (dans le sens du fil) de pièces. L'alésage pour l'arbre est de 16 mm (5/8 po) de diamètre. La lame produit une bonne qualité de coupe pour la plupart des applications.

2. Il existe plusieurs types de lames offertes pour les détails et les travaux particuliers comme les lames pour le tronçonnage ou le sciage en long uniquement, les lames biconcaves pour le contreplaqué mince, les revêtements, etc.
3. Utiliser uniquement des lames de scie prévues pour des régimes maximums sécuritaires de 5 000 tr/min ou plus.
4. Les lames de scie devraient être toujours bien affûtées. Il est recommandé de repérer un centre d'affûtage de bonne réputation pour affûter les lames au besoin.

**⚠ATTENTION :** Les meules ou lames abrasives (y compris diamant) ne doivent pas être utilisées avec cette scie.

## Lame (Fig. 3, 6, 27, 28)

### REPLACEMENT DE LA LAME

1. Relevez l'arbre de lame à sa hauteur maximale en tournant la molette de hauteur de lame (I) vers la droite.
2. Pour changer de lame, retirez le dispositif de carter de lame (D) et la plaque de lumière (X) avant de réinstaller une autre lame. (Se reporter à la section **Retrait du dispositif de carter de lame** et **Pour Retirer la Plaque de Lumière** sous **Assemblage**.)

**REMARQUE :** Il peut s'avérer plus facile de changer la lame alors qu'elle est inclinée à 0°.

3. Retirez l'écrou d'arbre (Y) et la rondelle externe (Z) et les mettre de côté.
4. Placez la lame (C) sur la broche en vous assurant que les dents de lame sont orientées vers le bas et l'avant de la table.

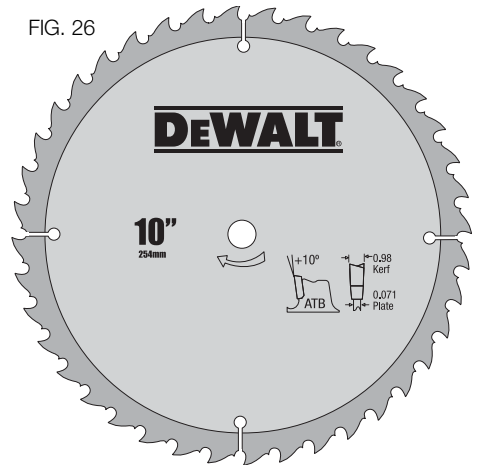


FIG. 26

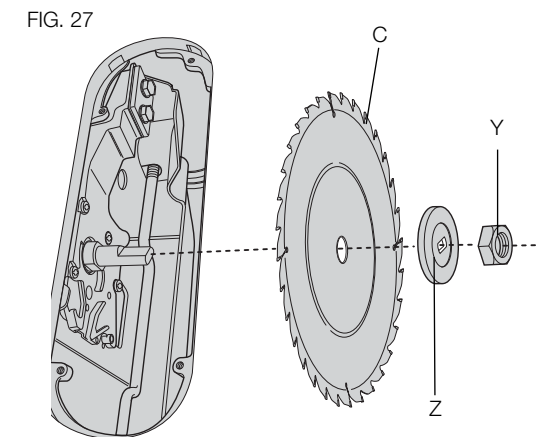
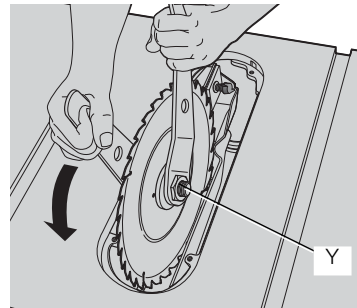


FIG. 27

5. Installez la rondelle externe (Z) contre la lame, avec son côté surélevé vers l'extérieur puis serrez manuellement, à fond, l'écrou d'arbre contre la rondelle. Avant installation, assurez-vous que la rondelle externe et l'écrou d'arbre sont exempts de poussière ou débris.
6. Pour resserrer l'écrou d'arbre (Y) plus avant, utilisez la clé à broche à bout libre (fournie avec l'outil) pour empêcher toute rotation de la broche.
7. Utilisez la clé d'arbre (fournie avec l'outil) pour maintenir l'écrou et serrez en tournant vers la droite. Repositionnez la clé sur l'écrou d'arbre autant de fois que nécessaire jusqu'à ce que l'écrou et la rondelle soient solidement vissés contre la lame.

FIG. 28



**REMARQUE :** Différents types de lames produisent différents traits de scie (largeur de coupe). Aussi, il est nécessaire de vérifier le réglage de l'échelle de coupe lorsqu'on change de lame. Toute lame installée ne DOIT pas excéder l'épaisseur indiquée sur le couteau diviseur. Le couteau diviseur fourni avec la scie a une épaisseur de 2,2 mm.

### Choix du couteau diviseur

**AVERTISSEMENT :** pour minimiser tout risque de rebonds et assurer une coupe adéquate, le couteau diviseur doit avoir l'épaisseur adaptée à la lame utilisée.

Le couteau diviseur fourni avec le banc de scie circulaire est adapté à la lame fournie avec la scie.

Si une lame différente est utilisée, vérifiez l'épaisseur du corps de lame (plateau) et la largeur de trait de scie (coupe) imprimées sur la lame ou l'emballage de lame. L'épaisseur du couteau diviseur doit être supérieure à l'épaisseur du corps de lame et inférieure à la largeur du trait de scie, comme illustré en Fig. 29. Dans le cas contraire, remplacez le couteau diviseur par un couteau à l'épaisseur adaptée.

FIG. 29

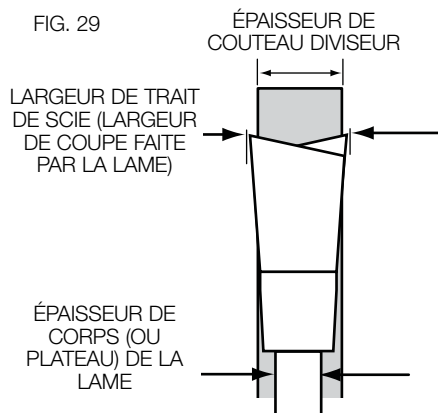
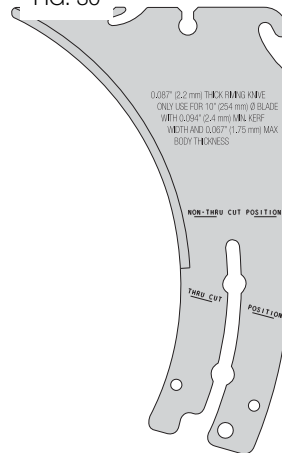


FIG. 30



Le couteau diviseur fourni avec la scie comporte les inscriptions suivantes (fig. 30) :

ÉPAISSEUR DE COUPEAU DIVISEUR : 2,2 mm (0,087 po.). UTILISER SEULEMENT AVEC UNE LAME DE 254 mm (10 po.), POUR UNE LARGEUR MIN DE TRAIT DE SCIE DE 2,4 mm (0,094 po.), ET UN MAX. D'ÉPAISSEUR DE CORPS DE 1,75 mm (0,067 po.).

Les couteaux diviseurs offerts en tant qu'accessoires par DEWALT comportent les inscriptions suivantes :

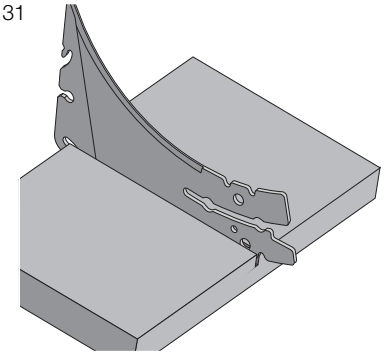
ÉPAISSEUR de COUPEAU DIVISEUR : 2,8 mm. (0,110 po.) UTILISER SEULEMENT AVEC UNE LAME DE 254 mm (10 po.) POUR UNE LARGEUR MIN. DE TRAIT DE SCIE DE 3 mm (0,118 po.), ET UN MAX. D'ÉPAISSEUR DE CORPS DE 2,5 mm (0,098 po.).

L'ensemble des épaisseurs de corps de lame et de largeurs de trait de scie offert par DEWALT est à votre disposition à [www.DEWALT.com](http://www.DEWALT.com).

Si une lame différente est utilisée et que les dimensions d'épaisseur de corps et de largeur de trait de scie ne sont pas disponibles, utilisez la procédure suivante pour déterminer l'épaisseur correcte de couteau diviseur :

1. Mesurez l'épaisseur de corps de la lame.
2. Effectuez une petite entaille dans un bois de rebus et mesurez l'épaisseur de trait de scie.
3. Choisissez ensuite le couteau diviseur comme illustré en Fig. 29.
4. Insérez le couteau diviseur dans l'entaille faites à l'étape 2 pour vérifier que vous avez choisi le couteau diviseur adéquat. Le couteau diviseur ne devrait ni rester coincé ni freiner dans l'entaille.

FIG. 31



**IMPORTANT :** si vous rencontrez un grippage ou un freinage alors que le matériau atteint le couteau diviseur, arrêtez et débranchez la machine du secteur. Répétez les étapes 1 à 4 pour sélectionner le couteau diviseur adéquat avant de tenter toute nouvelle coupe.

### Rebonds

Les rebonds sont dangereux ! Ils sont causés par une pièce qui s'agrippe à la lame. Le résultat en est que la pièce peut rapidement être éjectée dans la direction opposée à l'avance de coupe. Pendant un rebond, la pièce peut être projetée sur l'utilisateur. Ils peuvent aussi entraîner la main de l'utilisateur sur le chemin de scie si celle-ci est située derrière la lame. En cas de rebond, ARRÊTEZ la scie et vérifiez le fonctionnement du couteau diviseur, du dispositif anti-rebonds, et du dispositif de carter de lame avant de continuer à travailler.

**AVERTISSEMENT :** se reporter à la section **Règles de sécurité additionnelles relatives aux bancs de scie circulaire** et suivre toutes directives préconisées sur **LES REBONDS**.

### FONCTIONNEMENT

**AVERTISSEMENT :** avant toute utilisation de la scie, vérifier systématiquement les éléments suivants :

1. Porter **SYSTÉMATIQUEMENT** un équipement de protection oculaire, auditif et respiratoire adéquats.
2. La lame est fermement serrée.
3. Les boutons de verrouillage d'angle de biseau et de hauteur de coupe sont verrouillés.
4. En cas de coupes longitudinales, s'assurer que le levier de verrouillage du guide est bien verrouillé et le guide bien parallèle à la lame.
5. En cas de coupes transversales, le bouton de guide d'onglet est bien verrouillé.
6. Le dispositif de carter de lame est correctement rattaché et le dispositif anti-rebonds fonctionne correctement.
7. Inspecter **SYSTÉMATIQUEMENT** l'alignement, le fonctionnement, et l'espace entre la lame et le dispositif de carter de lame et le couteau diviseur.
8. S'assurer **SYSTÉMATIQUEMENT** que les deux dispositifs de protection sont abaissés et en contact avec la table avant toute utilisation.

Tout manquement à ces consignes de sécurité fondamentales augmente grandement les risques de dommages corporels.

**⚠AVERTISSEMENT : pour réduire tout risque de dommages corporels, arrêter et débrancher la machine du secteur** avant d'installer ou retirer tout accessoire, avant tout réglage ou changement de configuration, ou pour faire toute réparation. Tout démarrage accidentel comporte des risques de dommages corporels.

**⚠AVERTISSEMENT :** avant de brancher le banc de scie circulaire sur le secteur ou d'utiliser la scie, inspecter systématiquement l'alignement, le fonctionnement, et l'espace entre la lame et le dispositif de carter de lame et le couteau diviseur, pour prévenir tout risque de dommages corporels.

**⚠AVERTISSEMENT :** la coupe longitudinale ou transversale peut faire basculer la scie en cours d'utilisation. S'assurer que la scie est solidement fixée à une surface stable.

**⚠AVERTISSEMENT :** ne jamais utiliser ensemble le guide et le guide d'onglet. Cela pourrait causer des rebonds et entraîner des dommages corporels.

**⚠ATTENTION :** Si la scie fait un bruit inhabituel ou vibre excessivement, arrêter aussitôt toute opération, arrêter l'outil, le débrancher du secteur jusqu'à ce que le problème ait été identifié et corrigé. Si le problème persiste, contacter un centre de réparation en usine DEWALT, un centre de réparation DEWALT agréé ou tout autre personnel de réparation qualifié.

**⚠ATTENTION :** une plaque de lumière appropriée doit être systématiquement installée pour réduire tout risque d'éjection de pièce et de dommages corporels.

Il existe deux types de coupe principaux avec les bancs de scie circulaire : la coupe longitudinale et la coupe transversale. Une coupe longitudinale coupe le long du grain et une coupe transversale, contre le grain. Pour ce qui concerne les matériaux artificiels, la coupe longitudinale correspond à réduire la largeur, et la coupe transversale correspond à réduire la longueur du matériau.

**⚠AVERTISSEMENT :** lors d'une coupe longitudinale, utiliser systématiquement le guide pour guider le matériau et le dispositif de carter de lame pour éviter les rebonds.

**⚠AVERTISSEMENT :** Ne jamais effectuer de coupe à main levée. Ne jamais effectuer de coupe en plongée.

**⚠ATTENTION :** lors de coupes transversales, utiliser systématiquement le guide d'onglet.

### Caractéristiques du dispositif de protection (Fig. 32)

**⚠AVERTISSEMENT : pour réduire tout risque de dommages corporels, arrêter et débrancher la machine du secteur** avant d'installer ou retirer tout accessoire, avant tout réglage ou changement de configuration, ou pour faire toute réparation. Tout démarrage accidentel comporte des risques de dommages corporels.

1. Le(s) dispositif(s) de protection seront verrouillés en position verticale.
  2. Cela augmente la visibilité pour mesurer la distance entre la lame et le guide.
  3. Abaissez le(s) dispositif(s), et ils se déverrouilleront pour permettre l'utilisation de la scie.
- S'assurer **SYSTÉMATIQUEMENT** que les deux dispositifs de protection sont abaissés et en contact avec la table avant toute utilisation.

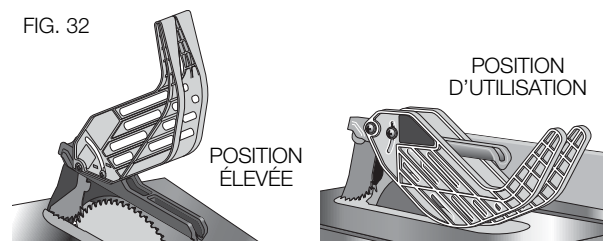


FIG. 32

### Coupes longitudinales

**⚠AVERTISSEMENT :** ne jamais toucher le bout libre de la pièce à machiner ou la chute qui est coupée, alors que le moteur est en MARCHE et/ou que la lame est toujours en rotation. Le morceau pourrait entrer en contact avec la lame, être violemment éjecté, et poser des risques de dommages corporels.

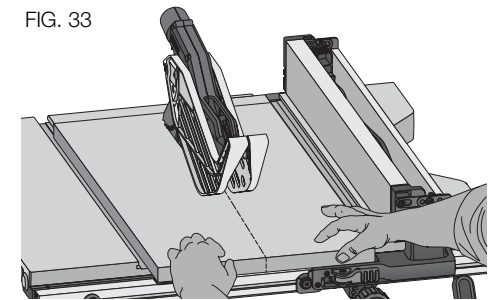
**⚠AVERTISSEMENT :** utiliser **SYSTÉMATIQUEMENT** un guide longitudinal pour toute coupe longitudinale pour prévenir toute perte de contrôle de la pièce/scie et tout dommage corporel. **NE JAMAIS** effectuer de coupe longitudinale à main levée. Verrouiller **SYSTÉMATIQUEMENT** le guide au rail.

**⚠AVERTISSEMENT :** pour toute coupe longitudinale biseautée, et chaque fois que possible, disposer le guide sur le côté de la lame de façon à ce qu'elle soit inclinée dans la direction opposée au guide et aux mains. Protéger les mains de la lame, et utiliser un poussoir de fin de passe pour alimenter la pièce à machiner s'il y a moins de 152 mm (6 po) entre le guide et la lame.

1. Verrouillez le guide longitudinal en abaissant le levier de verrouillage de rail. Retirez le guide d'onglet.
2. Surélevez la lame pour qu'elle soit à environ 3,2 mm (1/8 po) au-dessus de la pièce à machiner.
3. Maintenez la pièce à plat sur la table et contre le guide. Maintenez la pièce à environ 25,4 mm (1 po) de la lame.

**⚠ATTENTION :** la pièce à machiner doit avoir un bord droit contre le guide et ne doit être ni gondolée, ni déformée, ni courbe. Protéger les mains de la lame et les maintenir à l'écart du chemin de lame. Se reporter à la position adéquate pour les mains en figure 33.

FIG. 33



4. Mettez la scie en marche et laissez la lame prendre de la vitesse. Les deux mains peuvent être utilisées pour commencer la coupe. Lorsqu'il ne reste plus qu'environ 305 mm (12 po) à couper, utilisez une main seulement, en utilisant le pouce pour pousser le matériau, l'index et le doigt suivant pour maintenir le matériau à plat, et les autres doigts sur le guide. Maintenez systématiquement le pouce contre les deux premiers doigts et près du guide.
5. Tout en conservant la pièce contre la table et le guide, alimentez lentement la pièce depuis l'arrière jusque dans la lame. Continuez à pousser jusqu'à ce que la pièce passe de l'autre côté du dispositif de carter de lame et tombe à l'arrière de la table. Ne surchargez pas le moteur.
6. Ne tentez jamais de tirer la pièce en arrière quand la lame est en rotation. Arrêtez la machine, laissez la lame s'arrêter complètement, soulevez les dents du dispositif anti-rebonds de chaque côté du couteau diviseur, si nécessaire, et retirez la pièce.
7. Utilisez systématiquement un support de travail pour scier de longues pièces de matériau, ou panneaux. Un chevalet, une table à rouleaux ou de sortie peuvent offrir un support adéquat. Le support de travail doit être à la même hauteur que la table de scie.

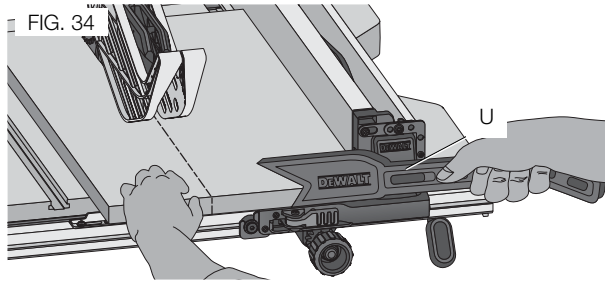
**⚠ATTENTION :** ne jamais pousser ou maintenir le côté « libre » ou « coupé » de la pièce à machiner.

### Coupes longitudinales de petites pièces

Il est dangereux de couper longitudinalement de petites pièces. Il est dangereux de laisser les mains s'approcher trop près de la lame. Il est conseillé de couper une pièce plus large pour obtenir la taille désirée. Lorsqu'une petite largeur doit être découpée et que la main ne peut pas être mise entre la lame et le guide longitudinal, sans présenter de risques, utilisez un ou

plusieurs poussoirs de fin de passe. Un schéma est inclus en fin de manuel pour fabriquer des poussoirs de fin de passe. Un poussoir de fin de passe (U) est inclus avec cette scie, et rattaché au guide longitudinal. À l'aide du/des poussoir(s) de fin de passe, maintenez la pièce contre la table et le guide, et poussez la pièce complètement au-delà de la lame. Se reporter en figure 34.

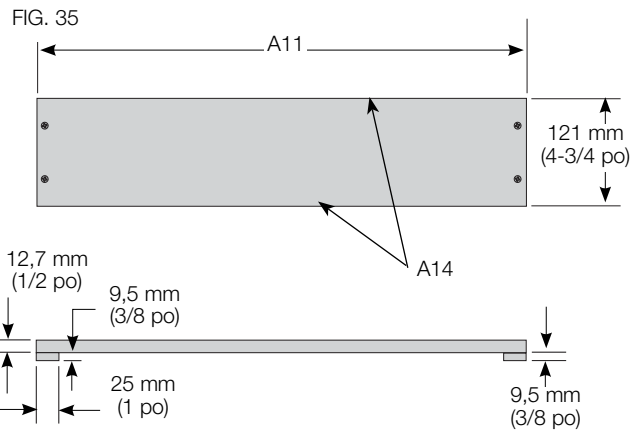
**REMARQUE :** votre scie de table est équipée d'un guide longitudinal étroit qui peut aussi soutenir toute pièce qui dépasserait de la table de scie. Se reporter au paragraphe **Support télescopique/guide longitudinal étroit** sous **Utilisation du guide parallèle**.



### Guide longitudinal auxiliaire étroit (Fig. 35-37)

Le guide longitudinal auxiliaire étroit doit être utilisé pour une coupe longitudinale de 51 mm (2 po) ou moins. Ce guide permet au dispositif de protection de rester sur la scie pour compléter des coupes étroites. Cela laissera assez d'espace pour utiliser un poussoir (A12, se reporter à la section **Bloc-poussoir**).

1. Suivez le schéma en figure 35 pour fabriquer un guide longitudinal auxiliaire étroit (A13, Fig 37). **REMARQUE :** A11 devrait être coupé de la même longueur que la surface de table de scie et les côtés (A14) devraient être parallèles.



2. Une fois le guide longitudinal auxiliaire étroit construit, glissez-le le long de la surface de la table de scie et placez-le à raz du guide, comme illustré en figure 37.
3. Insérez la pièce jusqu'à ce que le bord du matériau touche le bord avant de la table de scie.
4. Continuez d'alimenter le matériau à l'aide du bloc-poussoir (A12) jusqu'à ce que la coupe soit terminée.

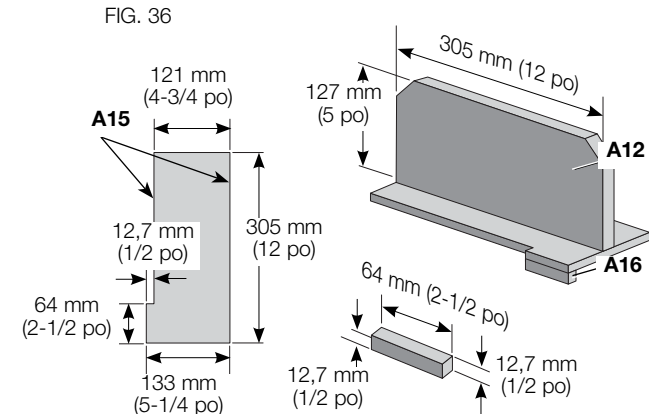
### Bloc-poussoir (Fig. 36, 37)

**IMPORTANT :** utilisez le bloc-poussoir (A12) seulement avec le guide longitudinal auxiliaire étroit, se reporter à la section **Guide longitudinal auxiliaire étroit**. Le bloc-poussoir devrait être utilisé lorsque le matériau à machiner a atteint la surface de la table de scie.

1. Construisez un bloc-poussoir en suivant le schéma en figure 36.

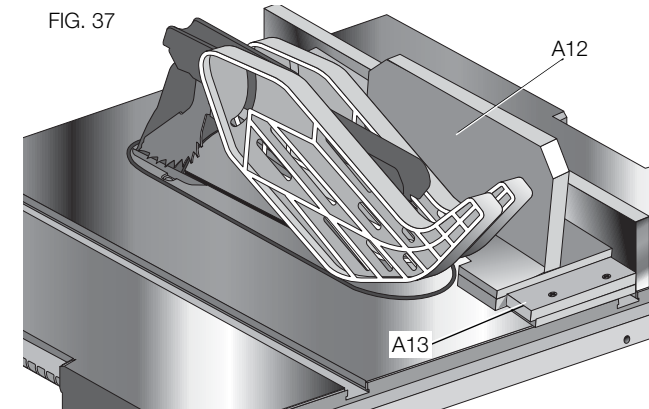
**REMARQUE :** Les côtés (A15) doivent être identiques.

**IMPORTANT :** La bordure (A16, fig. 36) DOIT être d'équerre. Une lèvre inégale pourrait faire dérapier le bloc-poussoir ou repousser le matériau loin du guide.



2. Posez le bloc-poussoir (fig. A12, fig. 37) derrière le matériau en vous assurant que la lèvre du bloc est à raz du guide longitudinal auxiliaire étroit (A13).
3. Une fois le bloc-poussoir en place, continuez à alimenter le matériau vers la scie jusqu'en fin de coupe en vous assurant que le bloc-poussoir reste constamment au raz du guide longitudinal auxiliaire étroit.

**IMPORTANT :** le guide longitudinal auxiliaire étroit et la bordure (A16, fig. 36) devraient être de la même épaisseur.



## Sciage sur le long en biseau (Fig. 38)

Cette opération est identique au sciage en long sauf que l'angle de biseau est réglé à un angle différent de zéro degré.

**⚠AVERTISSEMENT :** avant de brancher le banc de scie circulaire sur le secteur ou d'utiliser la scie, inspecter systématiquement l'alignement et l'espace entre la lame et le dispositif de carter de lame et le couteau diviseur. Vérifier l'alignement après chaque changement d'angle de biseau.

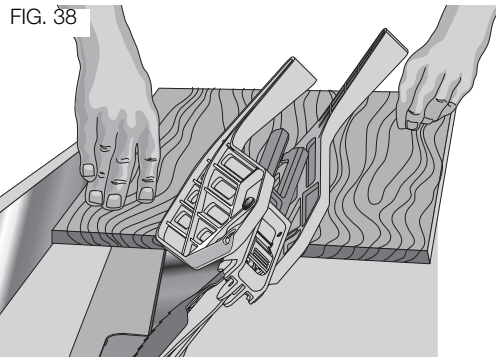


FIG. 38

## Coupes transversales

**⚠AVERTISSEMENT : NE JAMAIS** toucher le bout libre de la pièce à machiner ou la chute qui est coupée, alors que le moteur est en MARCHE et/ou que la lame est toujours en rotation. Le morceau pourrait entrer en contact avec la lame, être violemment éjecté, et poser des risques de dommages corporels.

**⚠AVERTISSEMENT :** pour réduire tout risque de dommages corporels, **NE JAMAIS** utiliser le guide en tant que guide ou butée de longueur pour faire des coupes transversales.

**⚠AVERTISSEMENT : NE JAMAIS** utiliser de butée de longueur sur le bout libre de la pièce lors de coupes transversales. En bref, la chute de toute coupe intégrale (couper une pièce de bout en bout) ne doit jamais être retenue. Elle doit pouvoir s'écarter de la lame pour prévenir tout contact avec celle-ci, empêcher d'être violemment éjectée, et poser des risques de dommages corporels.

**⚠AVERTISSEMENT :** prendre des précautions en début de coupe pour prévenir tout grippage du dispositif de carter de lame contre la pièce qui pourrait causer des dommages matériels et corporels.

**⚠ATTENTION :** lorsqu'on utilise un bloc comme gabarit de coupe, le bloc doit avoir une épaisseur minimale de 19 mm (3/4 po), et il est important que l'arrière du bloc soit positionné de façon à ce que la pièce dépasse du bloc avant de pénétrer la lame, pour prévenir son contact avec la lame, empêcher la pièce d'être violemment éjectée, et poser des risques de dommages corporels.

1. Retirez le guide longitudinal et installez le guide d'onglet sur l'emplacement désiré.
2. Ajustez la hauteur de lame pour qu'elle soit à environ 3,2 mm (1/8 po) au-dessus de la pièce à machiner.
3. Maintenez fermement la pièce contre le guide d'onglet alors que le chemin de lame est aligné avec la position de coupe désirée. Maintenez la pièce à deux centimètres environ devant la lame. **PROTÉGER LES MAINS DE LA LAME ET LES MAINTENIR À L'ÉCART DU CHEMIN DE LAME** (Fig. 39).
4. Mettez la scie en marche et laissez la lame prendre de la vitesse.
5. Maintenez à deux mains la pièce contre l'avant du guide d'onglet, tout en la maintenant à plat contre la table, et poussez-la lentement au travers de la lame. Se reporter en figure 38.
6. Ne tentez jamais de retirer la pièce quand la lame est en rotation. Arrêtez la machine, laissez la lame s'arrêter complètement, et retirez lentement la pièce.

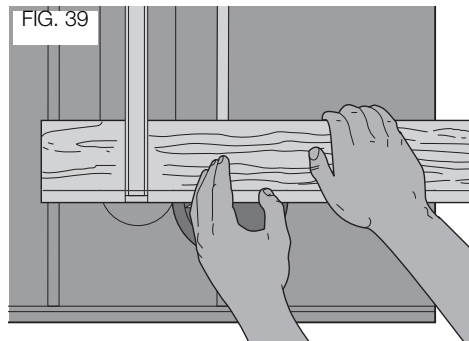


FIG. 39

**⚠ATTENTION :** ne jamais toucher ou maintenir le bout « libre » ou « coupé » de la pièce à travailler.

## Tronçonnage en biseau

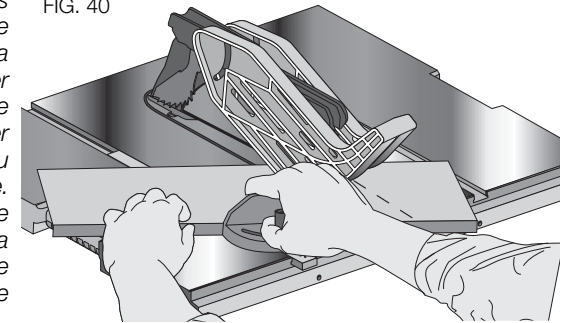
Cette opération est identique au tronçonnage normal, sauf que l'angle de biseau est réglé à un angle différent de 0°. Se reporter à la figure 38 pour observer la position correcte de la main.

**⚠AVERTISSEMENT :** avant de brancher le banc de scie circulaire sur le secteur ou d'utiliser la scie, inspecter systématiquement l'alignement et l'espace entre la lame et le dispositif de carter de lame et le couteau diviseur. Vérifier l'alignement après chaque changement d'angle de biseau.

## Onglet

**⚠AVERTISSEMENT :** les onglets supérieurs à 45° peuvent forcer le dispositif de carter de lame dans la lame, endommager celui-ci et causer des dommages corporels. Avant de mettre le moteur en marche, tester l'opération en alimentant la pièce au travers du dispositif de carter de lame. Si le dispositif de carter de lame entre en contact avec la lame, disposer la pièce sous le dispositif de carter de lame, sans toucher la lame, avant de remettre le moteur en marche.

FIG. 40



**⚠ATTENTION :** certaines formes de pièces, comme les moulures, peuvent ne pas soulever le dispositif de carter de lame correctement. Alimenter la pièce lentement pour commencer la coupe. Si le dispositif de carter de lame entre en contact avec la lame, disposer la pièce sous le dispositif de carter de lame, sans toucher la lame, avant de remettre le moteur en marche.

Cette opération est identique à une coupe transversale sauf que le guide d'onglet est verrouillé à un angle autre que zéro. Maintenez FERMEMENT la pièce contre le guide d'onglet et poussez-la lentement vers la lame (pour l'empêcher de bouger). Se reporter en figure 40.

## Utilisation du guide d'onglet

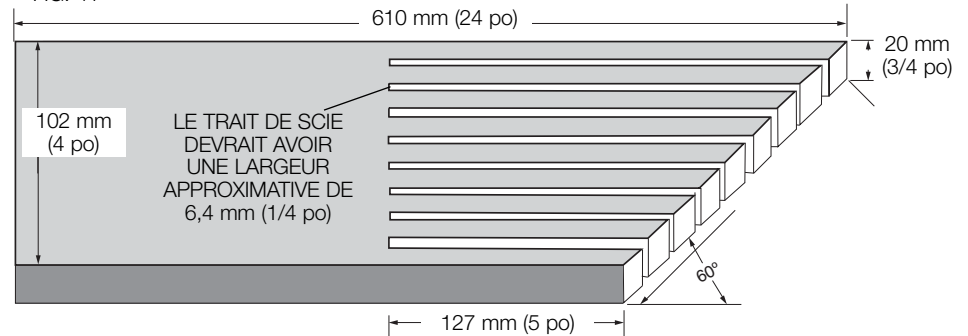
Pour régler le guide d'onglet, desserrer la poignée de verrouillage et déplacer le guide à l'angle voulu.

## Découpe à onglet mixte

Ce mode de coupe est une combinaison de tronçonnage avec angle de biseau et de découpe à l'onglet. Suivre les directives pour le tronçonnage et la découpe à l'onglet.

## Construction d'un peigne

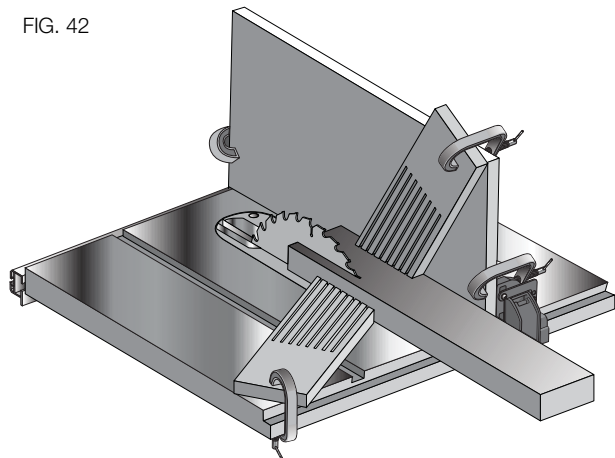
FIG. 41



Les peignes sont utilisés pour maintenir la pièce en contact avec le guide et la table, et prévenir les rebonds. Les dimensions pour effectuer un peigne typique sont illustrées en figure 41. Effectuez le peigne dans un morceau de bois droit, sans nœuds ou fentes. Fixez le peigne au guide et à la table pour que le bord principal du peigne supporte la pièce jusqu'à ce que la coupe soit terminée (Fig. 42). Un panneau plat de 203 mm (8 po) de haut peut être arrimé au guide longitudinal, et le peigne en retour peut être arrimé au panneau de 203 mm (8 po).

**⚠AVERTISSEMENT :** utiliser un peigne lors des opérations de coupe partielle pour lesquelles le dispositif de carter de lame, le dispositif anti-rebonds et le couteau diviseur, ne peuvent pas être utilisés. **Remplacer systématiquement le dispositif de carter de lame, le dispositif anti-rebonds et le couteau diviseur une fois la coupe partielle terminée.** S'assurer que le peigne appuie seulement sur la portion de la pièce devant la lame.

FIG. 42



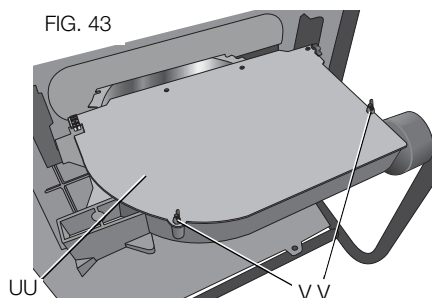
### Dépoussiérage

La scie circulaire à table est dotée d'un déflecteur de poussière et d'une goulotte à poussière. Pour optimiser les résultats, raccorder un aspirateur à la goulotte à l'arrière de la scie.

Après une utilisation prolongée, il est possible que le système de dépoussiérage de la scie s'obstrue. Pour désobstruer le système de dépoussiérage:

1. Débrancher la scie.
2. Coucher la scie sur son côté de sorte que le fond ouvert de l'appareil soit accessible.
3. Ouvrir la porte d'accès pour le dépoussiéreur (UU) illustrée à la figure 43 en retirant les vis à oreilles (V V). Nettoyer l'excès de poussière et refermer solidement la porte d'accès avec les vis à oreilles.

FIG. 43



### Lubrification

1. Tous les roulements du moteur sont lubrifiés en permanence en usine et aucune autre lubrification supplémentaire n'est requise.
2. L'engrenage de réglage de la hauteur pourrait exiger un nettoyage et une lubrification périodiques (Fig. 44). En cas de difficulté à relever ou abaisser la lame, communiquer avec un centre de réparations DEWALT autorisé.

FIG. 44

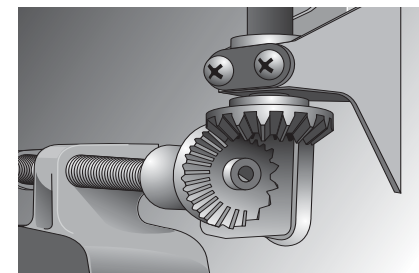


FIG. 45

### STOCKAGE (FIG. 45, 46)

1. Rattachez le poussoir de fin de passe (U) au guide.
2. Retirez le dispositif de carter de lame (D). Se reporter à la section **Retrait du dispositif de carter de lame**. Insérez le dispositif de carter de lame dans les fixations, comme illustré.
3. Appuyez sur la goupille (GG) du dispositif anti-rebonds (Q) pour permettre à l'ensemble de sortir de la fente du couteau diviseur.
4. Installez le dispositif anti-rebonds dans l'orifice de stockage. Tout en appuyant sur la goupille (GG) poussez le dispositif anti-rebonds dans l'orifice de stockage (A4) et libérez la goupille pour le verrouiller en place.
5. Desserrez le bouton de verrouillage du couteau diviseur (YY, fig. 25) (minimum de trois tours).
6. Poussez le bouton de verrouillage du couteau diviseur (YY) vers le couteau diviseur comme indiqué par les flèches sur le bouton pour désengager la goupille de sécurité du couteau diviseur.
7. Soulevez et sortez le couteau diviseur de la scie.
8. Retirez l'écrou à ailettes fixant les clés de lame (V). Placez le couteau diviseur (FF) sur le montant avec les clés de lame et arrimez l'ensemble avec l'écrou à ailettes.

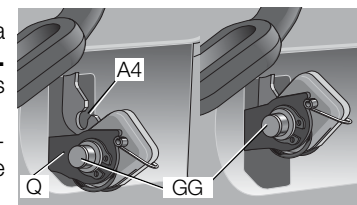
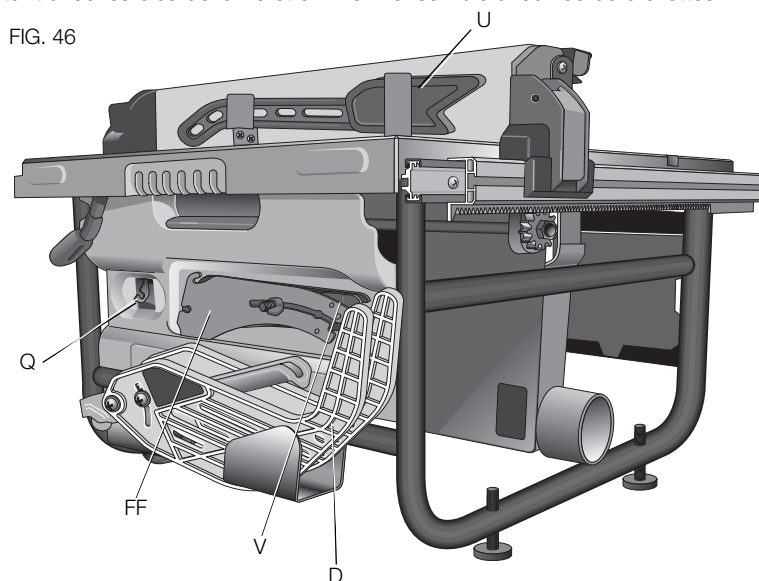


FIG. 46



## ENTRETIEN

**AVERTISSEMENT :** pour réduire le risque de blessures, éteindre l'appareil et le débrancher avant d'installer ou de retirer tout accessoire, avant d'ajuster ou de modifier les réglages ou lors de réparations. Un démarrage accidentel peut provoquer des blessures.

## Nettoyage

**AVERTISSEMENT :** lors du nettoyage des pièces de plastique, utiliser uniquement du savon doux et un chiffon humide. Bon nombre de nettoyants domestiques renferment des produits chimiques pouvant grandement endommager le plastique. En outre, ne pas utiliser d'essence, de térébenthine, de diluant à peinture-laque, de liquides pour nettoyage à sec ou tout autre produit semblable qui pourrait endommager gravement les composants en plastique. Ne jamais laisser de liquide pénétrer dans l'outil et n'immerger aucune partie de l'outil dans un liquide.

## Accessoires

**AVERTISSEMENT :** puisque les accessoires autres que ceux offerts par DEWALT n'ont pas été testés avec ce produit, l'utilisation de ceux-ci avec l'outil pourrait s'avérer dangereuse. Pour réduire le risque de blessures, utiliser exclusivement les accessoires DEWALT recommandés avec le présent produit.

Pour toute demande d'assistance pour trouver un accessoire, veuillez contacter DEWALT Industrial Tool Co., 701 East Joppa Road, Baltimore, MD 21286, États-Unis, composer le 1 (800) 4-DEWALT (1 (800) 433-9258) ou visiter notre site Web à [www.DEWALT.com](http://www.DEWALT.com).

## Réparations

Pour assurer la SÉCURITÉ et la FIABILITÉ du produit, les réparations, l'entretien et les réglages (y compris l'inspection et le remplacement de la brosse) doivent être réalisés par un centre de réparation en usine DEWALT, un centre de réparation autorisé DEWALT ou par un personnel de réparation professionnel. Toujours utiliser des pièces de rechange identiques.

## Registre en ligne

Merci pour votre achat. Enregistrez dès maintenant votre produit :

- **RÉPARATIONS SOUS GARANTIE :** cette carte remplie vous permettra de vous prévaloir du service de réparations sous garantie de façon plus efficace dans le cas d'un problème avec le produit.
- **CONFIRMATION DE PROPRIÉTÉ :** en cas de perte provoquée par un incendie, une inondation ou un vol, cette preuve de propriété vous servira de preuve auprès de votre compagnie d'assurances.
- **SÉCURITÉ :** l'enregistrement de votre produit nous permettra de communiquer avec vous dans l'éventualité peu probable de l'envoi d'un avis de sécurité régi par la loi fédérale américaine de la protection des consommateurs.

Registre en ligne à [www.dewalt.com/register](http://www.dewalt.com/register).

## Garantie limitée de trois ans

DEWALT réparera, sans frais, tout produit défectueux causé par un défaut de matériel ou de fabrication pour une période de trois ans à compter de la date d'achat. La présente garantie ne couvre pas les pièces dont la défectuosité a été causée par une usure normale ou l'usage abusif de l'outil. Pour obtenir de plus amples renseignements sur les pièces ou les réparations couvertes par la présente garantie, visiter le site [www.dewalt.com](http://www.dewalt.com) ou composer le 1 800 433-9258 (1 800 4-DEWALT). Cette garantie ne s'applique pas aux accessoires et ne vise pas les dommages causés par des réparations effectuées par un tiers. Cette garantie confère des droits légaux particuliers à l'acheteur, mais celui-ci pourrait aussi bénéficier d'autres droits variant d'un état ou d'une province à l'autre.

En plus de la présente garantie, les outils DEWALT sont couverts par notre :

### CONTRAT D'ENTRETIEN GRATUIT D'UN AN

DEWALT entretiendra l'outil et remplacera les pièces usées au cours d'une utilisation normale et ce, gratuitement, pendant une période d'un an à compter de la date d'achat.

### GARANTIE DE REMBOURSEMENT DE 90 JOURS

Si l'acheteur n'est pas entièrement satisfait, pour quelque raison que ce soit, du rendement de l'outil électrique, du laser ou de la cloueuse DEWALT, celui-ci peut le retourner, accompagné d'un reçu, dans les 90 jours à compter de la date d'achat pour obtenir un remboursement intégral, sans aucun problème.

**AMÉRIQUE LATINE :** cette garantie ne s'applique aux produits vendus en Amérique latine. Pour ceux-ci, veuillez consulter les informations relatives à la garantie spécifique présente dans l'emballage, appeler l'entreprise locale ou consulter le site Web pour les informations relatives à cette garantie.

**REMPLACEMENT GRATUIT DES ÉTIQUETTES D'AVERTISSEMENT :** si les étiquettes d'avertissement deviennent illisibles ou sont manquantes, composer le 1 800 433-9258 (1 800 4-DEWALT) pour en obtenir le remplacement gratuit.

**⚠ DANGER/PELIGRO**

KEEP HANDS AWAY FROM BLADE.  
MANTENGA MANOS LEJOS DE HOJA.  
GARDER DES MAINS LOIN DE LA LAME.

**DWE7480** BLADE 10",  
254mm

NOTE: USE 120 VOLT, 15 AMP BRANCH CIRCUIT AND USE 15 AMP TIME-DELAY FUSE.

**⚠ WARNING** USER MUST READ INSTRUCTION MANUAL FOR PROPER INSTALLATION OF ANTI-KICKBACK ASSEMBLY.

**⚠ ADVERTENCIA** EL USUARIO DEBE LEER EL MANUAL DE INSTRUCCIONES PARA UNA CORRECTA INSTALACION DEL CONJUNTO DE ANTI-RETROCESO.

**⚠ AVERTISSEMENT** L'UTILISATEUR DOIT LIRE LE MODE D'EMPLOI POUR CONNAÎTRE LE BON MODE D'INSTALLATION DU MODULE ANTIRECUL.

**⚠ WARNING** TO REDUCE THE RISK OF INJURY, READ INSTRUCTION MANUAL BEFORE OPERATING SAW. ALWAYS USE PROPER EYE AND RESPIRATORY PROTECTION. DO NOT WEAR GLOVES, NECKTIES, JEWELRY OR LOOSE CLOTHING. CONTAIN LONG HAIR. KEEP HANDS OUT OF THE LINE OF SAW BLADE. USE EXTRA CAUTION WHEN BEVELING. USE SAW-BLADE GUARD AND RIVING KNIFE FOR EVERY OPERATION FOR WHICH IT CAN BE USED, INCLUDING ALL THROUGH SAWING. USE A "PUSH STICK" WHEN REQUIRED. KNOW HOW TO REDUCE THE RISK OF KICKBACKS - SEE MANUAL. ALWAYS SUPPORT WORK WITH TABLE AND FENCE OR MITER GAUGE. DO NOT PERFORM ANY OPERATION FREE HAND. USE FENCE WHEN RIPPING AND MITER GAUGE WHEN CROSSCUTTING. NEVER USE TOGETHER. NEVER REACH AROUND OR OVER SAW BLADE. SECURELY MOUNT SAW BLADE BEFORE OPERATING. NEVER REMOVE JAMMED OR CUT-OFF PIECES UNTIL POWER IS OFF AND BLADE HAS STOPPED. LOCK BEVEL ADJUSTMENT BEFORE OPERATION. SECURE TOOL PROPERLY TO PREVENT UNEXPECTED MOVEMENT. DO NOT OPERATE THIS MACHINE WHILE UNDER THE INFLUENCE OF ALCOHOL OR DRUGS. FAILURE TO COMPLY WITH THESE WARNINGS MAY RESULT IN SERIOUS PERSONAL INJURY. WHEN SERVICING, USE ONLY IDENTICAL REPLACEMENT PARTS.

**⚠ ADVERTENCIA** PARA REDUCIR EL RIESGO DE LESIONES, LEA EL MANUAL DE INSTRUCCIONES ANTES DE OPERAR LA SIERRA. SIEMPRE UTILICE PROTECCIÓN OCULAR Y UN PROTECTOR RESPIRATORIO ADECUADOS. NUNCA USE GUANTES, CINTURONES, ALHACES O ACCESORIOS SUAVES. MANTENGA LAS MANOS FUERA DEL TRAYECTORIO DE LA HOJA DE LA SIERRA. Tenga MUCHA CUIDADO CUANDO REALICE EL BISELADO. UTILICE EL PROTECTOR DE LA HOJA DE LA SIERRA Y LA SIERRA CIRCULAR EN TODAS LAS OPERACIONES EN LAS QUE PUEDA, INCLUIDOS TODOS LOS CORTES CON SIERRA. USE UN "EMPUJADOR" SIEMPRE QUE SEA POSIBLE. INCLUIDO PARA TODOS LOS CORTES CON SIERRA, MANTENGA LAS MANOS FUERA DE LA LÍNEA DE LA HOJA DE LA SIERRA. UTILICE UNA VARA PARA EMPUJAR SIEMPRE QUE SEA NECESARIO.

**⚠ AVERTISSEMENT** TOUJOURS UTILISER UNE PROTECTION OCULAIRE ET UNE PROTECTION RESPIRATOIRE ADEQUATES. NE PAS PORTER DE GANTS, NI CINTURONS, BRACCOLETS OU ACCESSOIRES MOUS. MANTENIR LES MAINS EN DEHORS DE LA TRAJECTOIRE DE LA LAME QU'IL S'AGISSE DE FAIRE UN BISELAGE. UTILISER UN PROTECTEUR DE LA HOJA DE LA SIERRA ET LA SIERRA CIRCULAIRE POUR REDUIRE LE RISQUE ASSOCIE A L'ESTRISE. TOUJOURS UTILISER UN EMPUJADOR SI LE CAS EST POSSIBLE. INCLURE POUR TOUS LES CORTES A LA SIERRA, UTILISER UN EMPUJADOR SI LE CAS EST POSSIBLE. INCLURE POUR TOUS LES CORTES A LA SIERRA, UTILISER UNE VARA POUR EMPUJER SI LE CAS EST NECESSAIRE.

**⚠ WARNING** FOR PROPER USE AND RIVING INSTALLATION OF GUARD, RIVING KNIFE AND KICKBACK PAWLS REFER TO INSTRUCTION MANUAL.

**⚠ ADVERTENCIA** PARA INSTALAR Y UTILIZAR CORRECTAMENTE EL PROTECTOR, LA CUCHILLA HENDEDORA Y LOS SEGUROS ANTI-RETROCESO, CONSULTE EL MANUAL DE INSTRUCCIONES.

**⚠ AVERTISSEMENT** SE REPORTER AU MODE D'EMPLOI POUR ADEQUATS DU PROTEGE-LAME, DU COUPEAU SEPARATEUR ET DES CLQUETS ANTI-REFE DE BOND.

**⚠ WARNING** TO REDUCE THE RISK OF SERIOUS INJURY, USE SAW BLADE GUARD AND RIVING KNIFE FOR EVERY OPERATION FOR WHICH IT CAN BE USED, INCLUDING ALL THROUGH SAWING. KEEP HANDS OUT OF THE LINE OF SAW BLADE. USE A "PUSH-STICK" WHEN REQUIRED.

DEWALT INDUSTRIAL TOOL CO., BALTIMORE MD, 21286 U.S.A.  
FOR SERVICE INFORMATION, CALL 1-800-4-DEWALT [www.DEWALT.com](http://www.DEWALT.com)

### Definiciones: Lineamientos de Seguridad

Las definiciones más abajo describen el nivel de severidad de cada palabra señal. Por favor, lea el manual y preste atención a estos símbolos.

**⚠PELIGRO:** Indica una situación peligrosa inminente, la cual, de no ser evitada, resultará en muerte o lesión grave.

**⚠ADVERTENCIA:** Indica una situación peligrosa inminente, la cual, de no ser evitada, podría resultar en muerte o lesión grave.

**⚠ATENCIÓN:** Indica una situación peligrosa inminente, la cual, de no ser evitada, puede resultar en lesión menor o moderada.

**AVISO:** se refiere a una práctica no relacionada a lesiones corporales que de no evitarse puede resultar en daños a la propiedad.

SI TIENE ALGUNA PREGUNTA O ALGÚN COMENTARIO QUE HACER CON RESPECTO A ESTA O CUALQUIER OTRA HERRAMIENTA DEWALT, LLÁMENOS SIN CARGO AL: **1-800-4-DEWALT (1-800-433-9258)**.

### Reglas de Seguridad Generales


**⚠ADVERTENCIA:** Lea todas las instrucciones antes de operar el producto. El incumplimiento con alguna de las instrucciones enumeradas más abajo puede resultar en descarga eléctrica, incendio y/o lesiones corporales serias.

### GUARDE ESTAS INSTRUCCIONES

**⚠ADVERTENCIA:** SIGA TODOS LOS CÓDIGOS DE CABLEADO y conexiones eléctricas recomendadas para prevenir una descarga o electrocución.

### Doble Aislamiento

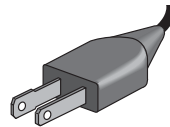
Si la sierra está construida con doble aislamiento, lea las siguientes instrucciones.

Este símbolo  representa una construcción con doble aislamiento. Las herramientas con doble aislamiento están construidas con dos capas separadas de aislamiento eléctrico o con una capa de aislamiento de doble grosor entre usted y el sistema eléctrico de la herramienta. Las herramientas construidas con este sistema de aislamiento, no están destinadas a ser conectadas a tierra. Como resultado, su herramienta está equipada con un enchufe de dos patas que le permite utilizar alargadores sin necesidad de mantener una conexión a tierra. Repare o cambie inmediatamente aquellos alargadores que estén dañados o desgastados.

**NOTA:** El doble aislamiento no elimina la necesidad de tomar las precauciones de seguridad cuando se opere esta herramienta. El sistema de aislamiento está destinado a brindar protección adicional en contra de lesiones que resulten de una falla en el aislamiento eléctrico dentro de la herramienta.

### ENCHUFES POLARIZADOS

Para reducir el riesgo de descarga eléctrica, este equipo tiene un enchufe polarizado (una pata es más ancha que las otras). Está clavija se acoplará a un enchufe polarizado de una sola manera. Si la clavija no se acopla al contacto, invíértala. Si aún así no se ajusta, comuníquese con un electricista cualificado para que instale un enchufe polarizado apropiado. Nunca cambie la clavija.



### Instrucciones Importantes de Seguridad

- **PARA REDUCIR EL RIESGO DE REBOTE Y DE OTRAS LESIONES,** utilice todos los componentes del sistema de protección (ensamble del protector de la hoja, cuchilla

y ensamble anti-rebote) para todas las operaciones para las cuales puedan utilizarse, incluyendo el corte tangencial completo.

- **QUITE LAS LLAVES DE AJUSTE.** Hágase el hábito de comprobar que la herramienta no tenga ninguna llave de ajuste puesta antes de encenderla. Herramientas, partes de desecho y otros residuos pueden salir disparadas a alta velocidad, provocando lesiones.
- **MANTENGA LIMPIA EL ÁREA DE TRABAJO.** Las áreas y bancos de trabajo desordenadas aumentan el riesgo de lesiones.
- **NO UTILICE LA MAQUINA EN UN AMBIENTE PELIGROSO.** El uso de herramientas eléctricas en lugares húmedos o mojados o bajo la lluvia, puede provocar una descarga eléctrica o electrocución. Mantenga su área de trabajo bien iluminada para evitar interrumpir el paso o colocar los brazos, manos y dedos en situación de peligro.
- **MANTENGA ALEJADOS A LOS NIÑOS.** Toda visita debería mantenerse a una distancia segura del área de trabajo. Su taller es un ambiente potencialmente peligroso.
- **HAGA QUE SU TALLER SEA A PRUEBA DE NIÑOS,** para ello utilice candados o interruptores maestros o quite las llaves de arranque. El arranque no autorizado de una máquina por parte de un niño o visitante, puede provocar lesiones.
- **NO FUERCE LA HERRAMIENTA.** La máquina herramienta apropiada hará un trabajo mejor y más seguro si se usa de la forma para la cual fue diseñada.
- **USE LA HERRAMIENTA ADECUADA.** No fuerce la herramienta o el accesorio para realizar un trabajo para el que no están diseñados. El uso de la herramienta o accesorio no adecuados, puede provocar lesiones personales.
- **USE EL ALARGADOR INDICADO.** Cerciórese de que su alargador esté en buenas condiciones. Si su producto está equipado con un cable, utilice solo alargadores de tres hilos que tienen conexiones eléctricas a tierra de tres patas y tomas de corriente de tres patas que se acoplen al enchufe de la herramienta. Cuando use un alargador, asegúrese de usar uno de un calibre suficiente como para cargar con la corriente que requerirá su producto. Un cable de un calibre insuficiente causará una caída en la tensión de la línea dando por resultado una pérdida de energía y sobrecalentamiento. La tabla siguiente muestra el tamaño correcto a utilizar, dependiendo de la longitud del cable y del amperaje nominal de la placa de identificación. Si tiene dudas sobre cuál calibre usar, use un calibre mayor. Cuanto más pequeño es el número del calibre, más resistente es el alargador.

### CALIBRE MÍNIMO PARA JUEGOS DE CABLES

Voltios	Longitud Total del Cable en Pies			
	0-25	26-50	51-100	101-150
120V				
240V	0-50	51-100	101-200	201-300
Amperaje Nominal				
Más de	No más de	AWG		
0	- 6	18	16	16
6	- 10	18	16	14
10	- 12	16	16	14
12	- 16	14	12	No Recomendado

- **USE ROPA ADECUADA.** No lleve ropa suelta, guantes, corbatas, anillos, pulseras u otras joyas que podrían engancharse en las piezas móviles. Se recomienda el uso de calzado antideslizante. Cúbrase y recójase el pelo si lo tiene largo. Los orificios de ventilación suelen cubrir piezas en movimiento, por lo que también se deben evitar.
- **SUJETE BIEN LA PIEZA DE TRABAJO.** Utilice abrazaderas para sujetar la pieza de trabajo cuando sea práctico (por ejemplo cuando corte una pieza o placa de garganta sin ningún espacio libre) Es más seguro que sujetarla con la mano y le permite utilizar ambas manos para manejar la herramienta.



- **USE SIEMPRE LENTES DE SEGURIDAD.** Los anteojos de uso diario NO son lentes de seguridad. Utilice además una máscara para la cara o guardapolvo si la operación de corte genera demasiado polvo. Todos los usuarios y observadores DEBE SIEMPRE utilizar equipo de seguridad certificado.
  - ANSI Z87.1 protección ocular (CAN/CSA Z94.3),
  - ANSI S12.6 (S3.19) protección auditiva,
  - Protección respiratoria NIOSH/OSHA/MSHA .
- **NO SE SOBREENTIENDA.** Manténgase siempre bien apoyado y equilibrado. La pérdida de equilibrio puede provocar lesiones personales. No intente recuperar materiales cerca de la hoja del banco de aserrar mientras la hoja esté girando.
- **CUIDE LAS HERRAMIENTAS.** Mantenga las hojas afiladas y limpias para obtener el mejor y más seguro desempeño. Siga las instrucciones para lubricar y cambiar accesorios. Las hojas y máquinas que no han sido bien mantenidas, pueden dañar la hoja o máquina y/o provocar lesiones.
- **APAGUE LA MAQUINA Y DESCONÉCTELA DE LA ALIMENTACIÓN DE CORRIENTE** antes de instalar o cambiar accesorios, antes de fijar o cambiar los ajustes, o cuando esté haciendo reparaciones o cambiando de lugar. No toque las patas de metal del enchufe cuando desconecte o conecte el cable. Un encendido accidental puede provocar lesiones.
- **REDUZCA EL RIESGO DE PUESTAS EN MARCHA ACCIDENTALES.** Asegúrese de que el conmutador esté apagado antes de enchufar el cable de alimentación eléctrica. En caso de que la alimentación eléctrica falle, mueva el conmutador a la posición de "OFF". Un encendido accidental puede provocar lesiones.
- No enchufe la herramienta a la fuente de alimentación ni la desenchufe con las manos mojadas.
- **UTILICE LOS ACCESORIOS RECOMENDADOS.** Use sólo los accesorios recomendados por el fabricante para su modelo. Un mismo accesorio puede ser adecuado para una herramienta, pero puede crear riesgo de lesiones si se usa en otra. Consulte el manual de instrucciones para conocer los accesorios recomendados. El uso de accesorios no debidos puede producir un riesgo de lesiones corporales.
- Los accesorios magnéticos no funcionan con esta sierra.
- **NO SE PARE NI SE SIENTE NUNCA ENCIMA DE LA HERRAMIENTA.** Podría sufrir graves lesiones si la herramienta se cae a un lado o si se entra en contacto no intencionado con la herramienta de corte.
- **REVISE LAS PIEZAS DAÑADAS.** Antes de utilizar esta herramienta, revise cuidadosamente los protectores o piezas dañadas para determinar si la herramienta podrá funcionar debidamente y realizar la función para la cual fue diseñada – revise las piezas móviles para confirmar su alineación, que no estén trabadas, partidas, que estén bien instaladas y cualquier otra condición que pueda afectar su operación. Cualquier protector o pieza dañada debe repararse debidamente o cambiarse. No use la herramienta si el conmutador no puede encenderla y apagarla. Las piezas dañadas pueden provocar daños a la máquina y/o lesiones corporales.
- **DIRECCIÓN DE AVANCE.** Alimente la pieza de trabajo a la hoja o disco de corte solo en contra de la dirección de rotación de la hoja o disco de corte. No se pueden hacer cortes cóncavos ni a mano alzada.
- **Compruebe la distancia adecuada de salida detrás de la sierra para asegurarse de que los materiales puedan pasar sin obstruirse a través del corte.** Las mesas de apoyo de las piezas de trabajo deben colocarse en lugares adecuados para apoyar totalmente el material.
- **JAMÁS DEJE SIN SUPERVISIÓN UNA HERRAMIENTA EN FUNCIONAMIENTO. APAGUE LA HERRAMIENTA.** No deje la herramienta hasta que no se haya detenido completamente. Podría resultar en lesiones graves.

- **NO OPERE HERRAMIENTAS ELÉCTRICAS CERCA DE LÍQUIDOS INFLAMABLES O EN ATMÓSFERAS GASEOSAS O EXPLOSIVAS.** Los motores y conmutadores de estas herramientas pueden producir chispas y encender vapores.
- **MANTÉNGASE ALERTA, FÍJESE EN LO QUE ESTÁ HACIENDO Y UTILICE SU SENTIDO COMÚN. NO UTILICE UNA MÁQUINA SI ESTÁ CANSADO O BAJO LA INFLUENCIA DE DROGAS, ALCOHOL O MEDICAMENTOS.** Mientras se utilizan herramientas eléctricas, basta un instante de distracción para sufrir lesiones graves.
- **NO PERMITA QUE LA FAMILIARIDAD (que haya adquirido con el uso frecuente de la sierra) SUSTITUYA A LAS REGLAS DE SEGURIDAD.** Recuerde siempre que una fracción de segundo de descuido es suficiente para ocasionar una herida grave. Tenga especial cuidado y manténgase alerta cuando haga cortes repetitivos. Apague la sierra frecuentemente para limpiar el serrín y comprobar los ajustes para reducir la monotonía.

### Reglas de Seguridad Adicionales para Sierras de Banco

⚠ **ADVERTENCIA: USE SIEMPRE LENTES DE SEGURIDAD.** Los anteojos de uso diario NO son lentes de seguridad. Utilice además una máscara para la cara o guardapolvo si la operación de corte genera demasiado polvo. Todos los usuarios y observadores DEBE SIEMPRE utilizar equipo de seguridad certificado.

- ANSI Z87.1 protección ocular (CAN/CSA Z94.3),
- ANSI S12.6 (S3.19) protección auditiva,
- Protección respiratoria NIOSH/OSHA/MSHA .

⚠ **ADVERTENCIA:** No exponer a la lluvia ni usar en lugares mojados.

- **EVITE POSICIONES INCOMODAS,** en las que un resbalón repentino podría provocar que una mano caiga en la hoja de la sierra.
- **NUNCA PONGA LAS MANOS DETRÁS O ALREDEDOR DEL DISCO DE CORTE,** con ninguna de sus manos, para sostener la pieza de trabajo.
- **MANTENGA SUS BRAZOS, MANOS Y DEDOS ALEJADOS** de la hoja para prevenir lesiones graves.
- **UTILICE UN PALO DE EMPUJE APROPIADO PARA EL TRABAJO, PARA EMPUJAR LAS PIEZAS DE TRABAJO A TRAVÉS DE LA SIERRA.** Una vara de empuje es una vara de madera o plástico, con frecuencia hecha en casa, que debe usarse siempre que el tamaño o la forma de la pieza de trabajo haga que tenga que colocar las manos a 152 mm (6 pulg.) de la hoja.
- **UTILICE SUJECIONES, GUÍAS, SOPORTES O REJILLAS PARA AYUDAR A GUIAR Y CONTROLAR LA PIEZA DE TRABAJO.** Los accesorios recomendados para su herramienta están disponibles por un cargo adicional en su distribuidor local o en el centro de servicio autorizado. Las instrucciones para fabricar una vara de empuje, una guía auxiliar para ranuras delgadas, un bloque de empuje y rejillas, están incluidas en este manual.
- **NO REALICE NINGÚN RANURADO, CORTES CRUZADOS O CUALQUIER OTRA OPERACIÓN A MANO ALZADA.**
- **NUNCA** pase la mano alrededor de o sobre la hoja de sierra.
- **ESTABILIDAD** Asegúrese que la sierra de banco este firmemente montada a una superficie estable y que no se mueva, antes de usarla.
- **JAMÁS CORTE METALES, PLACAS DE FIBROCEMENTO O MAMPOSTERÍA.** Ciertos materiales hechos a mano, tienen instrucciones especiales para ser cortados en sierras de banco. Siga las recomendaciones del fabricante en todo momento. Puede dañar la sierra y producir lesiones corporales.
- **LA PLACA DE GARGANTA CORRECTA DEBE ESTAR COLOCADA EN SU SITIO EN TODO MOMENTO** para reducir el riesgo de una pieza de trabajo lanzada y lesiones corporales.

- **USE LA HOJA DE SIERRA CORRECTA PARA LA OPERACIÓN PARA LA CUAL FUE DISEÑADA.** La hoja debe rotar hacia la parte frontal de la sierra. Siempre apriete firmemente la tuerca del mandril de la hoja. Revise que la hoja no tenga agrietamientos o dientes faltantes antes de utilizarla. No utilice una hoja roma o dañada.
- **JAMÁS INTENTE LIBERAR UNA HOJA DE SIERRA ATASCADA, SIN ANTES APAGAR LA MAQUINA Y DESCONECTAR LA SIERRA DE LA ALIMENTACIÓN DE CORRIENTE.** Si una pieza de trabajo o residuo de corte queda atrapado en el interior del ensamble del protector de la hoja, apague la sierra y espere a que la hoja se detenga antes de levantar el ensamble de protección de la hoja y cambiar la pieza.
- **JAMÁS ARRANQUE LA MAQUINA,** con la pieza de trabajo en contra de las hojas para reducir el riesgo de una pieza de trabajo lanzada y lesiones corporales.
- **NO TENGA NINGUNA PARTE DEL CUERPO ALINEADA CON LA HOJA.** Pueden producirse lesiones corporales. Sitúese a uno de los lados de la hoja.
- **JAMÁS REALICE LA DIAGRAMACIÓN, ENSAMBLADO O AJUSTE DEL TRABAJO SOBRE** la banco/área de trabajo, cuando la máquina esté en funcionamiento. Un resbalón repentino puede provocar que una mano se mueva hacia la hoja. Podría resultar en lesiones graves.
- **ANTES DE DEJAR LA MAQUINA, LIMPIE LA BANCO/ÁREA DE TRABAJO.** Coloque el conmutador en la posición "OFF" y desconecte la sierra de la alimentación de corriente para prevenir su uso no autorizado.
- Bloquee **SIEMPRE** la guía y el ajuste de bisel antes de cortar.
- **NO deje una tabla larga (u otra pieza de trabajo) sin soporte, de tal forma que el resorte de la tabla provoque que cambie su posición sobre la banco, resultando así en una pérdida de control y posibles lesiones.** Suministrar un soporte apropiado para la pieza de trabajo, en base a su tamaño y al tipo de operación a ser realizado. Sujete firmemente el trabajo contra la guía y hacia abajo en contra de la superficie de la banco.
- **SI ESTA SIERRA** hace un ruido desconocido o si vibra excesivamente, deje de utilizarla inmediatamente, apáguela y desconéctela de la fuente de alimentación hasta que se haya identificado y corregido el problema. Contacte con un centro de servicio de fábrica de DEWALT, un centro de servicio autorizado de DEWALT u otro personal de servicio calificado si no puede identificarse el problema.
- **UTILICE LOS ACCESORIOS RECOMENDADOS.** El uso de accesorios no debidos puede producir un riesgo de lesiones corporales.
- **NO OPERE ESTA MAQUINA HASTA QUE ESTÉ COMPLETAMENTE ENSAMBLADA E INSTALADA DE ACUERDO A LAS INSTRUCCIONES.** Una máquina que ha sido ensamblada de manera incorrecta puede ocasionar lesiones graves.
- **CONSULTE A** su supervisor, instructor u otra persona calificada, si no está profundamente familiarizado con la operación de esta máquina. El conocimiento es seguridad.
- **INFORMACIÓN ADICIONAL** en relación a la seguridad y operación apropiada de las herramientas eléctricas (p.ej. un video de seguridad) está disponible a través del Instituto de Herramientas Eléctricas, 1300 Sumner Avenue, Cleveland, OH 44115-2851 ([www.powertoolinstitute.com](http://www.powertoolinstitute.com)). También existe información disponible a través del Consejo de Seguridad Nacional, 1221 Spring Laek Drive, IL 60143-3201 Por favor refiérase al U.S. Departamento of Labor OSHA 1910.213 Regulaciones.

#### TÉRMINOS: LOS SIGUIENTES TÉRMINOS SERÁN USADOS A LO LARGO DEL MANUAL Y USTED DEBE ESTAR FAMILIARIZADO CON ELLOS.

- **Corte tangencial** se refiere a cualquier corte completo hecho a todo lo largo de la pieza de trabajo.
- **Corte no tangencial** se refiere a cualquier corte que no se realiza completamente a todo lo largo de la pieza de trabajo.
- **Vara de Empuje** se refiere a una vara de madera o plástico, usualmente de fabricación casera, utilizada para empujar una pieza de trabajo pequeña a través de la sierra y mantener las manos del operador fuera del alcance de la hoja.
- **Rebote**, ocurre cuando la hoja de la sierra traba el corte y violentamente lanza la pieza de trabajo hacia el operador.
- **A mano alzada**, se refiere al corte sin usar una escuadra de inglete o una guía o cualquier otro medio de guía o sujeción de la pieza de trabajo distinta a la mano del operador. **⚠ADVERTENCIA:** Jamás realice un corte a mano alzada.
- **Corte de inmersión** se refiere a cortar cuando la pieza de trabajo se baja hasta la hoja y el usuario la controla con sus manos o el usuario apoya la pieza de trabajo con las manos en la superficie del banco y luego se levanta la hoja a través de la pieza de trabajo. **⚠ADVERTENCIA:** No realice nunca cortes de inmersión con esta sierra.
- **Reaserrar** – invertir el material para hacer un corte que la sierra no es capaz de realizar en una pasada. **⚠ADVERTENCIA: NO SE** recomienda Reaserrar.
- **Salida** - la distancia detrás de la sierra necesaria para pasar el material totalmente a través del corte.

#### ENSAMBLE DEL PROTECTOR DE LA HOJA, ENSAMBLE ANTI-REBOTE Y CUCHILLA

Su sierra de banco está equipada con un ensamble protector de la hoja, un ensamble anti-rebote y una cuchilla que cubre la hoja y reduce la posibilidad de un contacto accidental con la hoja. La cuchilla es una placa plana que se amolda al corte hecho por la hoja de sierra y contrarresta efectivamente el rebote, reduciendo la tendencia de la hoja a trabar el corte. **El ensamble protector de la hoja y el ensamble anti-rebote pueden utilizarse solamente cuando se realizan cortes tangenciales en la madera. Cuando se estén realizando ranuras y otros cortes que no produzcan cortes tangenciales, el ensamble protector de la hoja y el ensamble anti-rebote deben ser retirados y la cuchilla debe ser bajada hasta la posición de corte no tangencial marcada sobre la cuchilla.** Dos seguros anti-rebote están ubicados a los lados de la cuchilla que permiten a la madera pasar a través de la hoja en la dirección del corte, pero reducen la posibilidad de que el material sea lanzado de vuelta hacia el operador.

Utilice todos los componentes del sistema de protección (ensamble del protector de la hoja, cuchilla y ensamble anti-rebote) para todas las operaciones para las cuales puedan utilizarse, incluyendo el corte tangencial completo. Si usted elige no usar alguno de estos componentes para una aplicación en particular, debe tomar precauciones adicionales en relación al control de la pieza de trabajo, el uso de varas de empuje, la posición de sus manos en relación a la hoja, el uso de gafas de seguridad, los medios para evitar el rebote y todas las demás advertencias contenidas en este manual y sobre la sierra misma. **Cambie los sistemas de protección tan pronto reinicie las operaciones de corte tangencial.** Mantenga el ensamble protector en buenas condiciones de funcionamiento.

#### FABRICANDO UNA VARA DE EMPUJE (Adentro de la Cubierta Interior Posterior)

- A fin de operar su sierra de banco de manera segura, usted debe utilizar una vara de empuje cuando el tamaño o forma de la pieza de trabajo podrían hacer que sus manos estén a 152 mm (6 pulg.) de la hoja de sierra u otro disco de corte. Esta sierra viene con una vara de empuje incluida.

- No se necesita ninguna madera especial para fabricar varas de empuje adicionales, siempre y cuando sea maciza y lo suficientemente larga. Se recomienda una longitud de 400 mm (15,7 pulg) con una muesca que se ajuste al borde de la pieza de trabajo para prevenir que resbale. Es una buena idea tener varias varas de empuje de la misma longitud [400 mm (15,7 pulg)] con muescas de diferentes tamaños para piezas de trabajo de diferentes espesores.
- Véase el dibujo de una vara de empuje en la cubierta interior posterior. La forma puede variar para satisfacer sus necesidades, siempre y cuando realice su función de mantener sus manos alejadas de la hoja.

## REBOTES

Los rebotes puede provocar lesiones graves. Un rebote ocurre cuando una parte de la pieza de trabajo se traba entre la hoja de sierra y la guía u otro objeto fijo y es lanzada desde la banco hacia el operador. Los rebotes se pueden evitar prestando atención a las siguientes condiciones.

### Cómo evitarlos y Protegerse de Posibles Lesiones

- a. Asegúrese que la guía está en posición paralela a la hoja de sierra.
- b. No haga la ranura aplicando una fuerza de empuje a la sección de la pieza de trabajo que será la pieza cortada (libre). Cuando se esté ranurando, la fuerza de empuje debería ser aplicada siempre entre la hoja de la sierra y la guía; utilice una vara de empuje para trabajos angostos con anchos de 152 mm (6 pulg.) o menores.
- c. Mantenga el ensamble protector de la hoja de sierra, la cuchilla y el ensamble anti-rebote en su sitio y en buenas condiciones de operación. Si el ensamble anti-rebote no funciona, lleve su unidad al centro autorizado de servicio DEWALT más cercano para su reparación. La cuchilla debe estar alineada con la hoja de sierra y el ensamble anti-rebote debe detener un rebote una vez que se haya iniciado. Verifique su funcionamiento antes de realizar un ranurado, empujando la madera bajo el ensamble anti-rebote. El diente debe impedir que la madera sea halada hacia la parte frontal de la sierra.
- d. Pueden cortarse con esta sierra materiales de plástico y compuestos (como pisos laminados). Sin embargo, debido a que estos materiales son usualmente bastante duros y resbalosos, puede que los seguros anti-rebote no detengan un rebote. Por lo tanto, usted debe ser especialmente cuidadoso en seguir los procedimientos de ajuste y corte adecuados para el ranurado.
- e. Utilice el ensamble protector de la hoja de sierra, el ensamble anti-rebote y la cuchilla en toda operación para la cual puedan ser usados, incluyendo corte tangencial.
- f. Empuje la pieza de trabajo más allá de la hoja de sierra antes de liberarla.
- g. **JAMÁS** ranure una pieza de trabajo que este torcida o deformada o que no tenga un borde recto que pueda deslizarse a lo largo de la guía.
- h. **JAMÁS** corte una pieza de trabajo grande que no pueda ser controlada.
- i. **JAMÁS** use la guía como un tope de longitud cuando realice cortes cruzados.
- j. **JAMÁS** corte una pieza de trabajo con nudos, defectos, clavos u otros objetos extraños.
- k. **JAMÁS** ranure una pieza de trabajo más corta que 254 mm (10 pulg.).
- l. **JAMÁS** utilice una hoja roma – cámbiela o llévela a afilar.

**⚠ADVERTENCIA:** Algunas partículas de polvo generadas al lijar, serrar, esmerilar y taladrar con herramientas eléctricas, así como al realizar otras actividades de construcción, contienen químicos que el Estado de California sabe que pueden producir cáncer, defectos congénitos u otras afecciones reproductivas. Ejemplos de estos químicos son:

- plomo de algunas pinturas en base a plomo,
- polvo de sílice proveniente de ladrillos y cemento y otros productos de albañilería, y
- arsénico y cromo provenientes de madera tratada químicamente.

Su riesgo de exposición a estos químicos varía, dependiendo de la frecuencia con la cual realiza usted este tipo de trabajo. Para reducir su exposición a estas sustancias químicas: trabaje en una zona bien ventilada y llevando equipos de seguridad aprobados, como mascarillas antipolvo especialmente diseñadas para filtrar partículas microscópicas.

- **Evite el contacto prolongado con polvo generado por el lijado, serrchado, pulido y taladrado mecánico y otras actividades de construcción. Vista ropas protectoras y lave las áreas de la piel expuestas con agua y jabón.** Si permite que el polvo se introduzca en su boca o sus ojos, o que quede sobre la piel, puede favorecer la absorción de químicos peligrosos.

**⚠ADVERTENCIA:** La utilización de esta herramienta puede generar polvo o dispersarlo, lo que podría causar lesiones graves y permanentes al sistema respiratorio, así como otras lesiones. Siempre use protección respiratoria aprobada por NIOSH (Instituto Nacional de Seguridad y Salud en el Trabajo) u OSHA (Administración de Seguridad y Salud en el Trabajo) apropiada para la exposición al polvo. Dirija las partículas en dirección contraria a la cara y el cuerpo. Siempre opere la herramienta en una zona bien ventilada y que permita una correcta remoción del polvo. Utilice un sistema de recolección de polvo cuando sea posible.

## GUARDE ESTAS INSTRUCCIONES PARA FUTURAS CONSULTAS

### Specifications

Amperios	15 A
Ángulo de inglete	60° a la derecha y a la izquierda
Ángulo de bisel	-2° a 45° a la izquierda
Tamaño de la hoja	254 mm (10")
Profundidad máxima de corte	Bisel a 0° 79 mm (3-1/8")
Profundidad máxima de corte	Bisel a 45° 57 mm (2-1/4")
RPM, sin carga	4 800

### Desembalaje

**⚠ADVERTENCIA:** Para reducir el riesgo de lesión, **NO** conecte la máquina a la alimentación de corriente hasta que la sierra de banco esté completamente ensamblada y todo el manual de instrucciones haya sido leído por usted.

Abra la caja y retire la sierra, como se muestra en la Figura 1. Con cuidado, desembale la sierra de banco y todos los artículos sueltos contenidos en la caja. Examine todas las piezas para asegurarse de que no se han dañado durante el envío. Si alguna pieza está dañada o falta, contacte a su distribuidor local para reemplazarla antes de ensamblar la herramienta.

Consulte la Figura 2 para conocer las piezas sueltas y el equipo que incluye la sierra:

1. Guía
2. Llave del mandril y llave del eje (acoplada a la base de la sierra)
3. Ensamble Protector de la Hoja
4. Escuadra de inglete
5. Vara de Empuje (acoplada a la guía)

**⚠ADVERTENCIA:** Para reducir el riesgo de lesiones corporales graves, tenga lista la vara de empuje antes de comenzar el corte.

FIG. 1

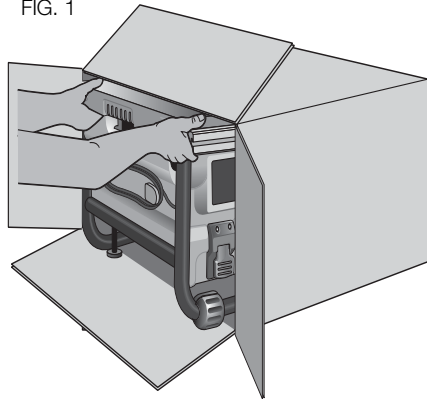


FIG. 2

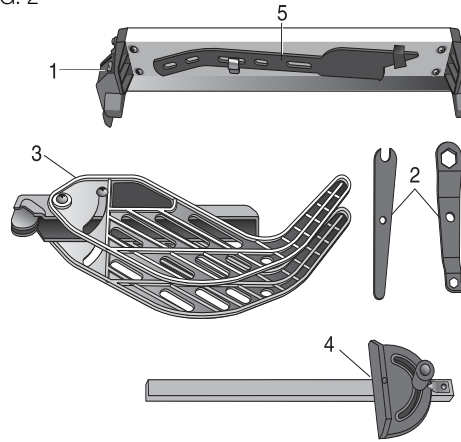
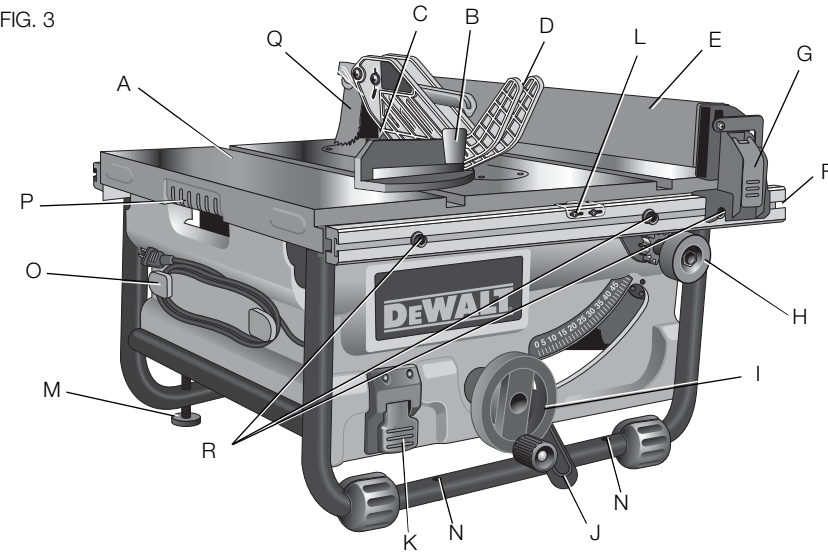


FIG. 3



### **CARACTERÍSTICAS (Fig. 3)**

Examine la Figura 3 para familiarizarse con la sierra y sus distintas partes. Estos términos aparecerán en las siguientes secciones sobre el ensamblaje y los ajustes y usted debe saber a qué piezas se refieren y dónde se encuentran.

- |   |                                       |
|---|---------------------------------------|
| A. Banco  | L. Indicador de guía                  |
| B. Calibrador de inglete  | M. Patas ajustables                   |
| C. Hoja   | N. Orificios para montaje             |
| D. Ensamble Protector de la Hoja                                  | O. Enrollacable de corte longitudinal |
| E. Guía   | P. Mango                              |
| F. Rieles de la guía  | Q. Ensamble de anti-rebote            |
| G. Seguro delantero/trasero de la guía para cortes longitudinales | R. Pasador posicionador               |
| H. Perilla de ajuste fino   | S. Colector de polvo                  |
| I. Rueda de ajuste de la altura de la hoja                        | T. Cubierta para polvo                |
| J. Palanca de bloqueo del bisel                                   | U. Vara de empuje                     |
| K. Interruptor de ENCENDIDO/APAGADO (ON/OFF)                      | V. Llave para eje, llave para husillo |
|   | W. Palanca de bloqueo de riel         |

### **ENSAMBLAJE**

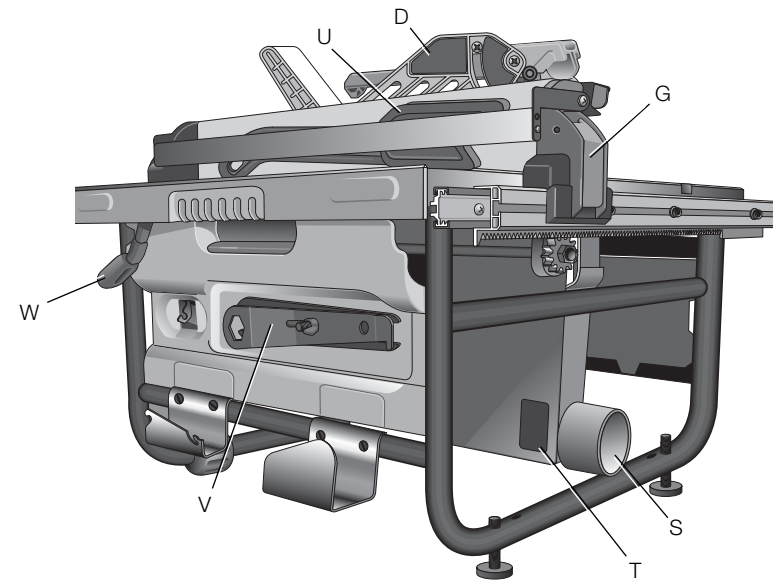
**⚠ADVERTENCIA: Riesgo de descarga eléctrica. Para reducir el riesgo de lesiones personales graves, apague la unidad y desconéctela de la fuente de alimentación antes de intentar moverla, cambiar accesorios o realizar ajustes.**

#### **ENSAMBLE SU SIERRA EN EL SIGUIENTE ORDEN**

1. Guía (**NOTA:** Adjust rip scale before proceeding; refer to **Rip Scale Adjustment** under **Adjustment.**)
2. Posicionamiento de la cuchilla
3. Ensamble de anti-rebote
4. Ensamble Protector de la Hoja
5. Escuadra de inglete (de ser requerida)

**NOTA:** No se requieren herramientas adicionales para el ensamblaje.

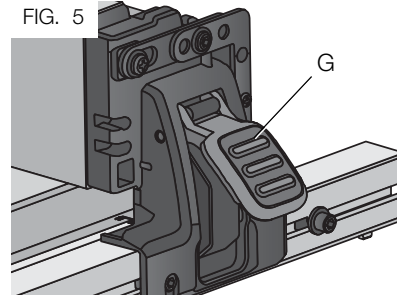
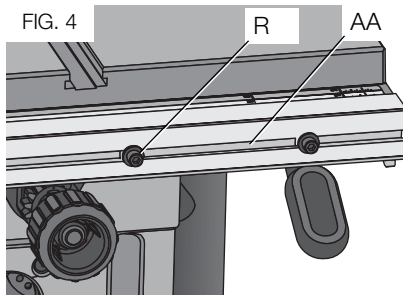
**NOTA:** Las llaves incluidas con su sierra, están destinadas a retirar y cambiar las hojas.



## Montaje de la guía para cortes longitudinales (Fig. 3-5)

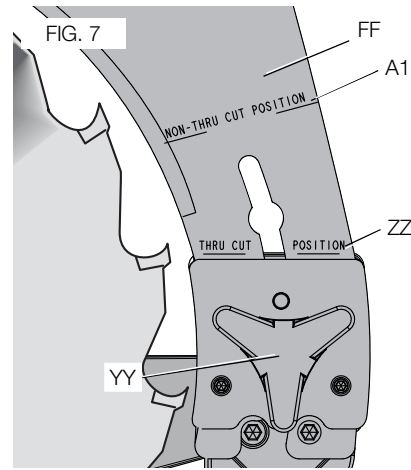
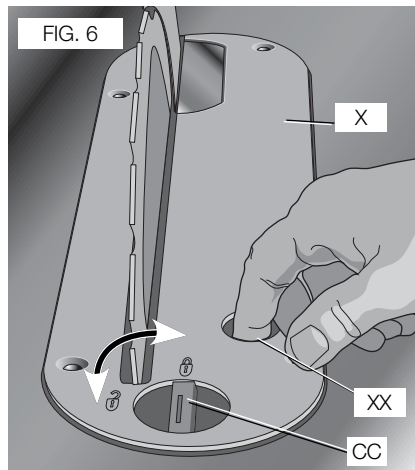
La guía para cortes longitudinales puede instalarse en dos posiciones a la derecha (Posición 1 para el aserrado al largo de 0" a 20" y la Posición 2 para el aserrado al largo de 4" a 24") y una posición a la izquierda en su sierra de banco.

1. Alinee el pasador posicionador (R) en el riel de la guía con la ranura de la cabeza de la guía y alinee el seguro (G) con la abertura (AA).
2. Fije la guía para cortes longitudinales encajando los seguros en los rieles con un clic como se muestra en la Figura 5. Asegúrese de que encajen en su sitio los seguros delantero y trasero (G).



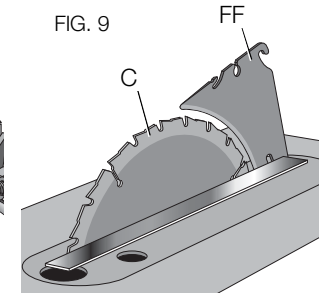
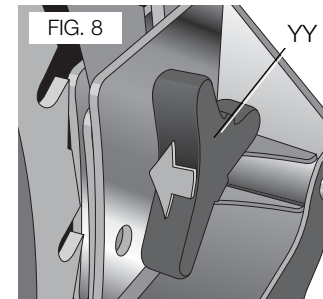
## Desensamblaje de la placa de garganta (Fig. 6)

1. Retire la placa de garganta (X) haciendo girar la perilla de bloqueo de la leva (CC) 1/4 en el sentido contrario a las manillas del reloj.
2. Utilizando el orificio para el dedo (XX) en la placa, hale la placa de garganta hacia arriba y hacia adelante para dejar al descubierto el interior de la sierra.



## Posicionamiento De La Cuchilla (Fig. 7-9)

1. Levante el mandril de la hoja de la sierra hasta su altura máxima.
2. Afloje la perilla de bloqueo de la cuchilla (YY) (mínimo de tres vueltas).
3. Para desacoplar la chaveta de bloqueo de la cuchilla, empuje la perilla de bloqueo hacia la cuchilla, como lo indican las flechas amarillas sobre la perilla.



4. Levante y deslice la cuchilla hasta la posición aproximada indicada por las marcas (posición no tangencial y tangencial) sobre la cuchilla y la chaveta de bloqueo encajará en su sitio.
5. Apriete la perilla de bloqueo de la cuchilla.

**ADVERTENCIA:** Antes de conectar la sierra de banco a la alimentación de corriente o antes de usar la sierra, siempre revise la alineación apropiada y la holgura con la hoja de sierra del ensamblaje del protector de la hoja y la cuchilla. Revise la alineación después de cada cambio del ángulo de bisel.

**NOTA:** NO opere la sierra si la cuchilla o está bloqueada en el orificio de posición de corte tangencial (ZZ) o no tangencial (A1).

Cuando la alineación sea la correcta, la cuchilla estará alineada con la hoja tanto en el nivel superior de la banco como en la parte superior de la hoja. Utilizando un borde recto, asegúrese que la hoja (C) esté alineada con la cuchilla (FF) como lo muestra la Figura 9. Con la corriente desconectada, utilice los ajustes de inclinación y altura de la hoja a través de los extremos de recorrida y asegúrese que el ensamblaje protector de la hoja despeja a la hoja en todas las operaciones y que el ensamblaje de anti-rebote está funcionando.

## Cambio De La Placa De Garganta (Fig. 6)

1. Alinee la placa de garganta como lo muestra la Figura 6 e inserte las lengüetas de la parte posterior de la placa de garganta en los orificios en la parte posterior de la abertura de la banco.
2. Gire la leva en el sentido contrario a las manillas del reloj hasta que la parte frontal de la placa de garganta se acople en su sitio. Fije el ensamblaje rotando la perilla de bloqueo de la leva (CC) 1/4 de vuelta (cuando el seguro de la leva esta bajo la banco sosteniendo la placa de garganta en su sitio) en el mismo sentido de las manillas del reloj.
3. La placa de garganta incluye cuatro tornillos de ajuste que levantan o bajan la placa de garganta. Cuando se ajusta correctamente, la parte frontal de la placa de garganta debe quedar nivelada o ligeramente por debajo de la superficie superior del banco y fijado en su sitio. La parte posterior de la placa de garganta debe quedar nivelada o ligeramente por encima de la parte superior del banco.

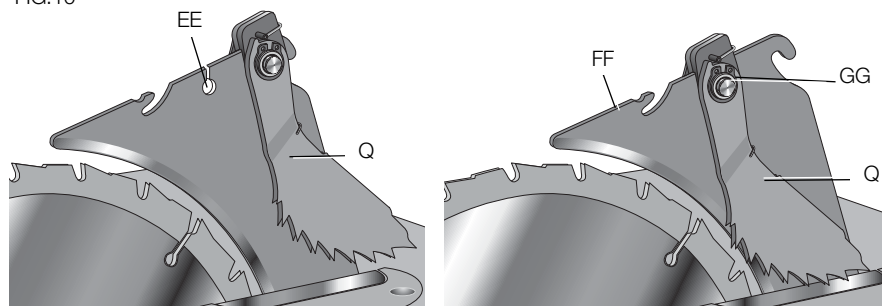
**ADVERTENCIA:** Para reducir el riesgo de lesiones corporales graves, la placa de garganta debe estar asegurada en su sitio en todo momento.

## Ensamble de Anti-rebote (Fig. 10)

**ADVERTENCIA:** Para reducir el riesgo de lesiones corporales graves, el ensamblaje anti-rebote debe estar en su lugar en todos los cortes posibles.

1. Retire el ensamblaje anti-rebote (Q) de su posición de almacenamiento. Ver **Almacenamiento**
2. Localice el orificio de montaje anti-rebote y la ranura (EE) en la parte superior de la cuchilla (FF).

FIG.10



- Deslice la caja externa anti-rebote a lo largo de la parte superior de la cuchilla hasta que el vástago (GG) se encuentre con la ranura que está encima del orificio de montaje. Presione el vástago (GG) sobre el ensamblaje anti-rebote para permitir que el ensamblaje caiga dentro del orificio (EE). Presione el ensamblaje anti-rebote hacia abajo hasta que entre en su sitio y bloquee el ensamblaje. **NOTA:** Hale el ensamblaje anti-rebote hacia arriba para asegurarse que éste se ha fijado en su sitio.

### Ensamble Protector de la Hoja (Fig. 11, 12)

#### ACOPLAMIENTO DEL ENSAMBLE PROTECTOR DE LA HOJA

**ADVERTENCIA:** Para reducir el riesgo de lesiones corporales graves, el ensamblaje de anti-rebote debe estar en su lugar en todos los cortes posibles.

- Mientras sujeta el ensamblaje protector de la hoja (D) en posición vertical, deslice la chaveta (HH) hacia la ranura de la cuchilla (II), centrando la cuchilla en la muesca en forma de V del protector superior. Ver Figura 11.
- Gire el ensamblaje protector de la hoja hacia la parte frontal de la sierra, mientras mantiene la chaveta (HH) en la parte superior de la ranura de la cuchilla. Gire hasta que el ensamblaje protector de la hoja este paralelo a la banco. Ver Figura 12.
- Presione hacia abajo la palanca de bloqueo del protector de la hoja (WW) hasta que encaje en la posición de bloqueo. Verifique que el protector esté bloqueado en la cuchilla. Si el protector no está bloqueado, la palanca de bloque del protector de la hoja girará hacia la posición de desbloqueo.

FIG. 11

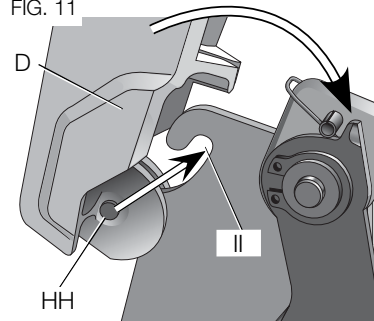


FIG. 12

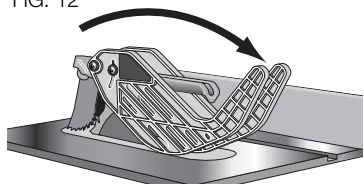


FIG. 12A

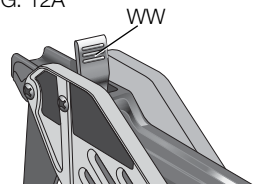
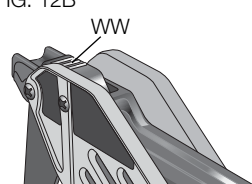


FIG. 12B



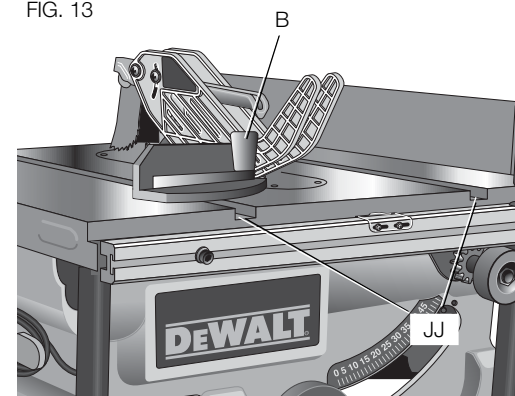
#### REMOCIÓN DEL ENSAMBLE DEL PROTECTOR DE LA HOJA

- Levante la palanca de bloqueo del ensamblaje del protector de la hoja (N) hacia la posición de desbloqueo.
- Gire el protector hacia atrás y deslice la chaveta desde la ranura de la cuchilla.

### Calibrador de inglete (Fig. 13)

**NOTA:** se puede usar un calibrador de inglete frontal auxiliar grande.

FIG. 13



#### ACOPLAMIENTO DEL CALIBRADOR DE INGLETE

El modelo DWE7480 incluye un calibrador de inglete (B) para los materiales que requieren cortes transversales. El calibrador de inglete se puede insertar en una de las dos ranuras para el calibrador (JJ) en la parte superior del banco.

**NOTA:** consulte las instrucciones para realizar cortes transversales y cortes transversales en bisel antes de realizar estas operaciones en la sierra de banco.

### Montaje en el banco de trabajo

**NOTA:** La base portátil está diseñada para ser usada con esta sierra y se puede conseguir en el centro de mantenimiento o distribuidor DEWALT local a un costo adicional.

#### MONTAJE DE LA SIERRA EN EL BANCO (FIG. 3)

**ADVERTENCIA:** para reducir el riesgo de lesiones personales graves, apague la unidad y desconéctela de la fuente de alimentación antes de intentar moverla, cambiar accesorios o realizar ajustes. Un arranque accidental podría causar lesiones.

**ATENCIÓN:** para reducir el riesgo de lesiones personales, antes de usar la sierra de banco, asegúrese de que esté firmemente montada.

La sierra de banco debe estar montada con firmeza. Para el montaje se suministran cuatro orificios (N, Fig. 3) en el armazón de metal. Recomendamos especialmente que se utilicen estos orificios para sujetar la sierra al banco de trabajo u otro soporte sólido y fijo

**ATENCIÓN:** asegúrese de que la superficie sea lo suficientemente estable, de modo que las piezas grandes de material no permitan que se vuelque durante el uso.

- Centre la sierra en la superficie de trabajo estable deseada.
- Coloque cuatro tornillos de 88,9 mm (3-1/2") de largo en los orificios del armazón de metal. Asegúrese de que los tornillos atraviesen el armazón y se atornillen con seguridad a la superficie de trabajo.

Si le preocupa el daño que pueda sufrir la superficie de trabajo, puede montar la sierra DWE7480 en un trozo de madera de descarte y luego fijarla a la superficie de trabajo deseada.

- Corte un pedazo de madera contrachapada de 19 mm (3/4") que encaje debajo del espacio que ocupa la sierra.
- Atornille la sierra a la madera contrachapada y sujete los aleros de la madera contrachapada a la superficie de trabajo. Si los tornillos sobresalen de la base de madera contrachapada, colóquela sobre dos piezas de material de igual espesor y acople estas últimas a los bordes de la madera contrachapada para sostener la sierra lejos de la superficie de trabajo y evitar que los tornillos dañen la superficie.

### Conexión de la sierra a la fuente de alimentación

**ADVERTENCIA:** para reducir el riesgo de lesiones, antes de conectar la sierra a la fuente de alimentación, asegúrese de que el interruptor está en la posición OFF (de apagado).

Asegúrese de que la fuente de energía concuerde con lo que se indica en la placa. Sólo CA significa que su sierra funciona con corriente alterna únicamente. Un descenso en el voltaje del diez por ciento o más producirá una pérdida de potencia y sobrecalentamiento. Todas las herramientas DEWALT están probadas en fábrica. Si esta herramienta no funciona, revise el suministro de energía.

## Interruptor de encendido/ apagado (Fig. 14)

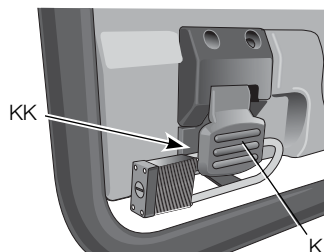
**⚠ADVERTENCIA:** para reducir el riesgo de lesiones personales, antes de enchufar la máquina, asegúrese de que el interruptor está en la posición OFF (de apagado).

Para encender la sierra, levante la paleta del interruptor de encendido/apagado (ON/ OFF) (K) hacia arriba, y para apagar la sierra presione la paleta hacia abajo (OFF).

El interruptor posee un orificio (KK) en el que se puede introducir un candado con vástago desmontable para poder bloquear el interruptor en la posición de apagado.

**NOTA:** un candado convencional no encajará.

FIG. 14



## Funcionamiento de la guía de corte longitudinal

### PALANCA DE BLOQUEO DE RIEL (FIG. 15)

La palanca de bloqueo de riel (W) traba la guía en el lugar para evitar el movimiento durante el corte. **Para trabar la palanca de bloqueo de riel**, empujela hacia abajo y hacia la parte trasera de la sierra. **Para desbloquearla**, empujela hacia arriba y hacia la parte frontal de la sierra.

**NOTA:** cuando realice cortes longitudinales, trabe siempre la palanca de bloqueo de riel.

### EXTENSIÓN DE APOYO PARA LA PIEZA DE TRABAJO/ GUÍA ESTRECHA PARA CORTES LONGITUDINALES (FIG. 15, 16)

La sierra de banco está equipada con una estrecha guía para cortes longitudinales que también apoya las piezas de trabajo que sobresalen del banco de la sierra.

Para usar la guía estrecha para cortes longitudinales en la posición de apoyo de la pieza de trabajo, gírela de su posición de almacenamiento como se muestra en la Figura 16, y deslice los pasadores en las ranuras inferiores en ambos extremos de la guía.

Para usar la guía estrecha para cortes longitudinales en la posición estrecha de corte, encaje los pasadores en las ranuras superiores en ambos extremos de la guía.

Esta característica permitirá un espacio adicional de 51 mm (2 pulg.) hasta la hoja. Si es necesario un mayor espacio, siga las instrucciones para hacer una guía auxiliar bajo **Guía auxiliar estrecha para cortes longitudinales** en la sección de **Funcionamiento**.

FIG. 15

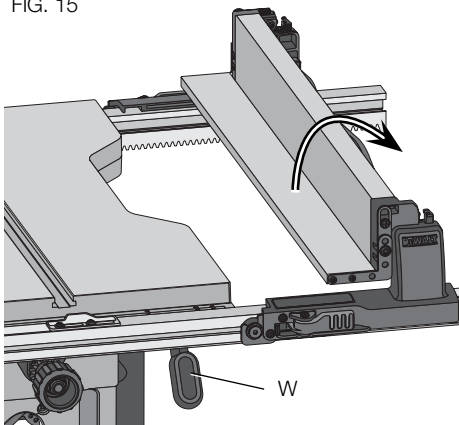
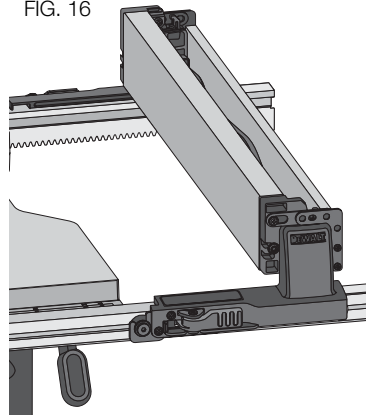


FIG. 16



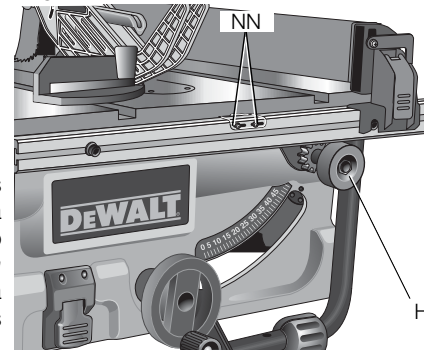
## PERILLA DE AJUSTE FINO (FIG. 17)

La perilla de ajuste fino (H) permite realizar ajustes más exactos cuando se regula la guía. Antes de realizar un ajuste, asegúrese de que la palanca de bloqueo de riel esté en su posición elevada, de desbloqueo.

## INDICADOR DE LA ESCALA DE CORTE

Si cambia las hojas según necesite realizar ranuras finas y gruesas, deberá ajustar el indicador de la escala de corte para obtener un rendimiento adecuado. Consulte el apartado **Ajuste De La Escala Para Cortes Longitudinales** en la sección **Ajustes** para conocer las instrucciones de alineación.

FIG. 17



## Ajustes

**⚠ADVERTENCIA:** para reducir el riesgo de lesiones, apague la unidad y desconéctela de la fuente de alimentación antes de instalar o retirar accesorios, ajustar o cambiar configuraciones o realizar reparaciones. Un arranque accidental podría causar lesiones.

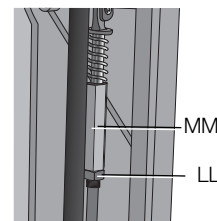
**NOTA:** su sierra recibe todos los ajustes necesarios y precisos durante el proceso de fabricación. Si se precisa realizar nuevos ajustes debido al envío y la manipulación, o por cualquier otro motivo, siga los siguientes pasos.

Una vez realizados, estos ajustes no se volverán a desconfigurar. Tómese el tiempo necesario y siga estas instrucciones cuidadosamente para mantener el alto nivel de precisión de la sierra.

### AJUSTE DEL BLOQUEO DE RIEL (FIG. 3, 18) (Ajuste del sistema de sujeción de la guía)

1. Trabe la palanca de bloqueo de riel (W).
2. Afloje la tuerca en la parte inferior de la sierra (LL).
3. Ajuste la varilla hexagonal (MM) hasta comprimir el resorte en el sistema de bloqueo y generar la tensión deseada en la palanca de bloqueo de riel. Vuelva a ajustar la tuerca de inmovilización contra la varilla hexagonal.
4. Controle que la guía no se mueva cuando la palanca de bloqueo traba. Si la guía aún está floja, ajuste el resorte un poco más.

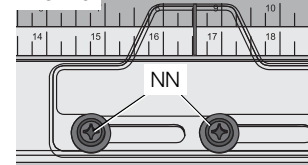
FIG. 18



### AJUSTE DE LA ESCALA PARA CORTES LONGITUDINALES (FIG. 3, 19)

1. Desbloquee la palanca de bloqueo del riel (W).
2. Fije la hoja a un bisel de 0° y mueva la guía hacia adentro hasta que toque la hoja.
3. Bloquee la palanca de bloqueo del riel.
4. Afloje los tornillos del indicador de la escala para cortes longitudinales (NN) y fjelo para que marque cero (0). Vuelva a apretar los tornillos del indicador de la escala para cortes longitudinales. **NOTA:** La escala amarilla para cortes longitudinales (superior) marca correctamente solo cuando la guía está montada en la parte derecha de la hoja y está en la posición 1 (para un corte de 0 a 20", no en la posición de corte de 24"). La escala blanca (inferior) marca correctamente solo cuando la guía está montada en el lado derecho de la hoja y en la posición 2 (para un corte de 4" a 24").

FIG. 19

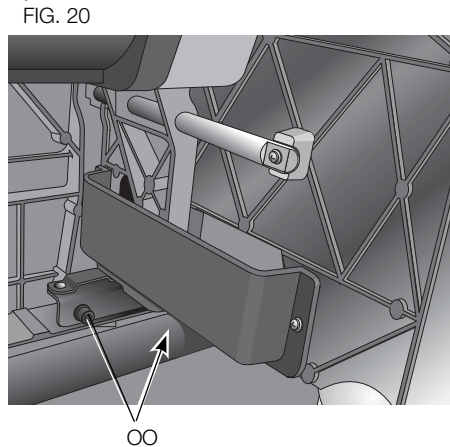


## AJUSTE DE LA ALINEACIÓN DE LA HOJA (La hoja paralela a la Ranura de Inglete)

**ADVERTENCIA:** Peligro de Corte. Revise la hoja a 0° y 45° para asegurarse que no pega contra la placa de garganta, provocando lesiones personales.

Si la hoja esta desalineada con la ranura de inglete en la parte superior del banco, se requerirá de una calibración para su alineación. Para realinear la hoja y la ranura de inglete, utilice el siguiente procedimiento:

1. Ubique los tornillos localizadores hexagonales negros (OO) que sujetan el muñón a la parte inferior del banco en la parte trasera de la sierra.
2. Afloje ambos tornillos y alinee la hoja con la ranura de inglete. Asegúrese de medir desde la parte delantera de la Ranura de Inglete y la parte frontal y posterior de la hoja para asegurar paralelismo.
3. Ajuste en su justa medida, los tornillos de fijación del ensamble del muñón y la hoja al banco en la posición paralela.



## AJUSTE DE LA ALINEACIÓN DE LA GUÍA (FIG. 3, 4) (Hoja Paralela a la Guía)

Si experimenta problemas con la alineación de la guía y desea corregir la posición paralela entre la guía y la hoja, asegúrese de verificar en primer lugar la alineación de la hoja a la ranura de inglete. Luego de confirmar que tales elementos están alineados, proceda con la alineación de la hoja con la guía, utilizando el procedimiento siguiente:

1. Desbloquee la palanca de bloqueo del riel (W) y localice los dos pasadores posicionadores (R) que apoyan la guía en los rieles delanteros y traseros.
2. Afloje el pasador posicionador posterior y ajuste la posición de la guía en la ranura de la misma hasta que la parte delantera de la guía se sitúe paralela a la hoja. Asegúrese de medir desde la parte delantera de la guía hasta la parte de delante y de atrás de la hoja para asegurar el alineamiento.
3. Apriete los pasadores posicionadores y repita el procedimiento en la parte izquierda de la hoja.
4. Verifique la escala de ranura.

## AJUSTE DEL TOPE E INDICADOR DE BISEL (Calibración de la Escala de Bisel)

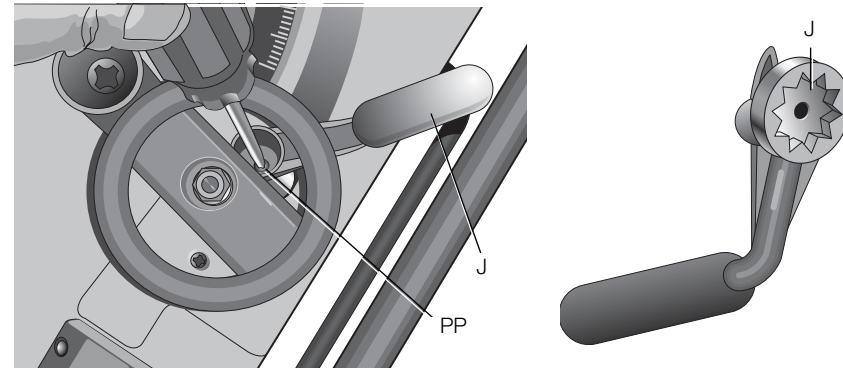
La calibración del sistema de bisel en la sierra puede requerir de dos pasos separados, uno para la escala de bisel y otro para el indicador de bisel. La escala debe siempre ser verificada en primer lugar, seguida por los ajustes del indicador rojo.

## AJUSTE DEL BLOQUEO DEL BISEL (FIG. 21)

Es posible que sea necesario ajustar la palanca de bloqueo del bisel (J) para mantener la fuerza de bloqueo.

Para realizar el ajuste, coloque la palanca de bloqueo en la posición de bloqueo. Utilice un destornillador de cruz para sacar el tornillo (PP) que mantiene en su sitio la palanca de bloqueo (Fig. 21). Retire la palanca de bloqueo del perno de bloqueo y coloque la palanca de bloqueo en la posición deseada. Inserte los tornillos (PP) y ajuste bien.

FIG. 21



## Parte A – Ajuste del Sistema de la Escala de Bisel (Fig. 22, 23)

1. Retire el ensamble protector de la Hoja de la sierra y levante completamente hacia arriba la hoja en el banco.
2. Desbloquee la palanca de bloqueo de bisel (J) y afloje el tornillo de tope de bisel (QQ).
3. Coloque la escuadra contra el banco y la hoja.

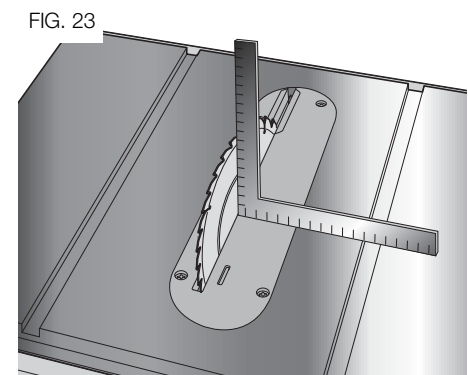
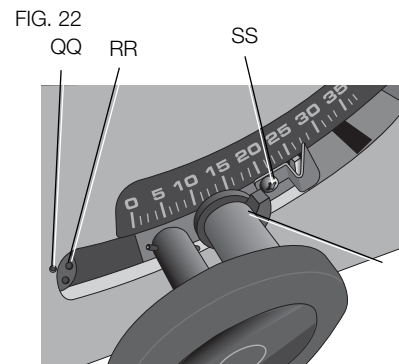
**NOTA:** Asegúrese de colocar la escuadra entre los dientes de la hoja para asegurar una medida exacta.

4. Ajuste el ángulo de bisel hasta que esté plano contra la escuadra. Bloquee la palanca de bloqueo de bisel (J).
5. Mueva la leva de tope de bisel (RR) hasta que haga contacto firme con el molde del muñón. Apriete el tornillo de tope de bisel.
6. Repita el procedimiento a 45° utilizando un triángulo o escuadra rápida.

## Parte B – Ajuste del Indicador de Escala de Bisel

**NOTA:** Realice este paso solo si la Parte A se ha completado.

7. Revise la escala del ángulo de bisel. Si el indicador no se encuentra en 0°, afloje el tornillo del indicador (SS) y muévelo hasta la marca de 0° sobre la escala de bisel. Reajuste el tornillo del indicador.

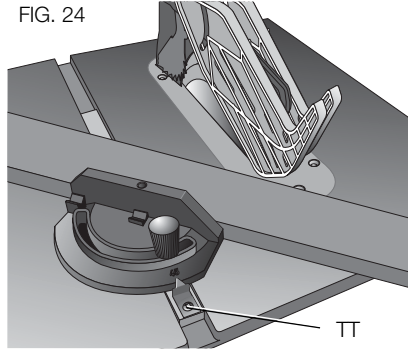


## AJUSTE DEL CALIBRADOR DE INGLETE (FIG. 24) (Calibración del indicador del calibrador de inglete)

Su calibrador de inglete tiene topes ajustables a 45° y 90° a la derecha y a la izquierda.

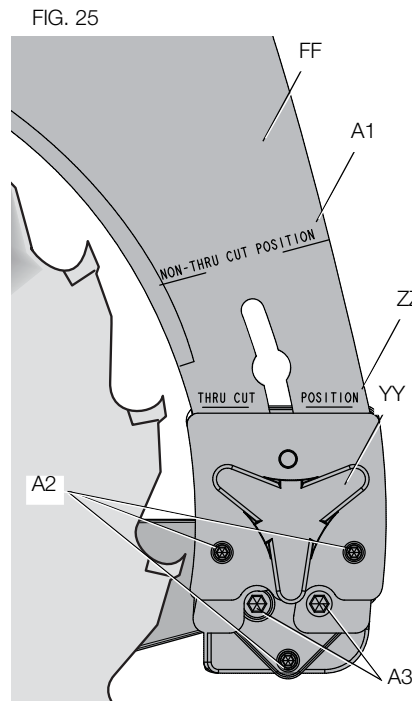


Para ajustar el calibrador de inglete, afloje el tornillo (TT) y muévelo a la posición deseada. Ajuste el tornillo contra la placa para ranuras.



### ALINEACIÓN DE LA CUCHILLA CON LA HOJA (FIG. 25)

1. Retire la placa de garganta. Ver **Remoción de la Placa de Garganta** en **Ensamblaje**.
2. Lleva la hoja hasta su profundidad máxima de corte y a 0° de ángulo de bisel.
3. De ser necesario, lleve la cuchilla (FF) hasta su posición de corte tangencial (ZZ) o posición más elevada. Ver **Posicionamiento de la Cuchilla** en **Ensamblaje**.
4. Localice el juego de tres tornillos pequeños (A2) adyacente a la perilla de bloqueo de la cuchilla (YY). Estos tornillos serán utilizados para ajustar la posición de la cuchilla.
5. Coloque un borde recto sobre el banco contra dos puntas de la hoja. La cuchilla no debe tocar el borde recto. De ser necesario, afloje los dos tornillos de bloqueo más grandes (A3).
6. Ajuste el juego de tornillos pequeños (A2) para mover la cuchilla de acuerdo a la posición indicada en el paso 5. Coloque el borde recto sobre el lado opuesto de la hoja y repita los ajustes como sea necesario.
7. Apriete ligeramente los dos tornillos de bloqueo más grandes (A3).
8. Coloque una escuadra plana contra la cuchilla para verificar que la cuchilla está en posición vertical y alineada con la hoja.
9. De ser necesario, utilice los tornillos de ajuste para llevar la cuchilla a su posición vertical con la escuadra.
10. Repita los pasos 5 y 6 para verificar la posición de la cuchilla.
11. Apriete completamente los dos tornillos de bloqueo más grandes (A3).



### Hojas para sierras

**ADVERTENCIA:** Las Cuchilla deben hacer juego con las dimensiones de la hoja de sierra, a fin de que funcionen efectivamente. Ver **Selección de Cuchilla**.

**NOTA:** ESTA SIERRA ESTA DISEÑADA PARA SER UTILIZADA CON HOJAS DE SIERRA DE 254 mm (10 pulg.) DE DIÁMETRO (Fig. 26).

**NOTA:** esta sierra no está diseñada para ser usada con hojas para ranuras y cuchillas para molduras. Pueden ocasionar lesiones personales.

1. La hoja que se suministra con su sierra es una hoja de combinación de 254 mm (10") mm que se puede utilizar para realizar cortes transversales (el corte cruza la veta) y cortes longitudinales (el corte sigue la veta) a través del material. El orificio central que encaja en el eje es de 16 mm (5/8") de diámetro (1,59 cm, 0.625"). Esta hoja proporcionará un corte de calidad en la mayoría de las aplicaciones.
2. Existen muchos tipos de hojas disponibles para realizar trabajos específicos y especiales como cortes transversales solamente, cortes longitudinales solamente, huecos, cortes en madera contrachapada fina, paneles, etc.
3. Utilice solamente hojas diseñadas para funcionar en forma segura a velocidades máximas de 5.000 RPM o mayores.
4. Las hojas para sierra siempre se deben conservar afiladas. Recomendamos que cuando necesite afilar las hojas, localice un centro de afilado acreditado.

**ATENCIÓN:** En esta sierra no deben utilizarse discos u hojas abrasivas (incluyendo diamante).

### Hoja (Fig. 3, 6, 27, 28)

#### CAMBIO DE LA HOJA

1. Levante el mandril de la hoja de la sierra hasta su altura máxima haciendo girar, en el mismo sentido de las manillas del reloj, la rueda de ajuste (I) de altura de la hoja.
2. Si está cambiando la hoja, retire el ensamble protector de la hoja (D) y la placa de garganta (X) antes de instalar la hoja nueva. (Refiérase a **Remoción del Ensamble Protector de la Hoja** y a **Remoción de la Placa de Garganta** en **Ensamblaje**.)
3. Retire la tuerca del mandril (Y) y la arandela exterior (Z) y colóquelos a un lado.

**NOTA:** Es posible que sea más sencillo cambiar la hoja con la hoja de la sierra biselada a 45°.

FIG. 26

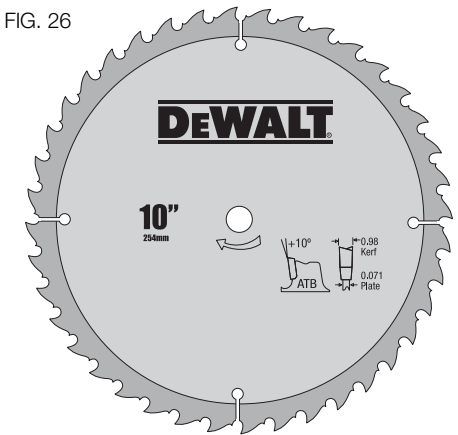
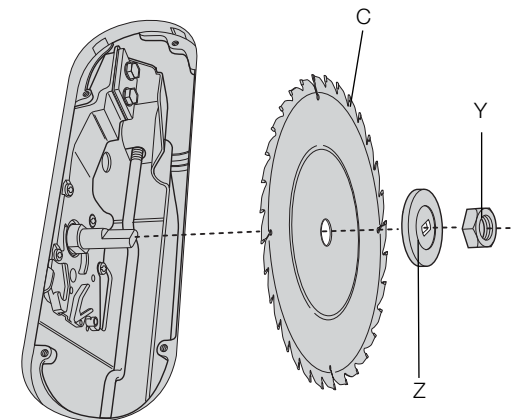
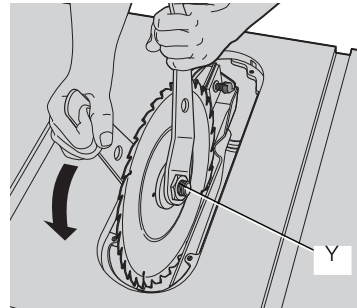


FIG. 27



- Coloque la hoja de la sierra (C) en el mandril asegurándose que los dientes de la hoja apuntan hacia abajo y hacia la parte frontal de la sierra.
- Coloque la arandela exterior (Z) contra la hoja de manera tal que la parte curva de la arandela quede hacia afuera y apriete manualmente la tuerca del mandril contra la arandela tanto como sea posible. Asegúrese que la arandela exterior y la tuerca del mandril están libres de polvo y residuos antes de ser instaladas.
- Para apretar aún más la tuerca del mandril (Y), utilice el extremo abierto de la llave de eje (incluida) para evitar que el eje gire (Fig 28).
- Utilice la llave del mandril (incluida) para sujetar la tuerca y apretarla, haciéndola girar en el mismo sentido de las manillas del reloj. Coloque nuevamente la llave sobre la tuerca del mandril y repita la operación como sea necesario hasta que la tuerca y la arandela estén firmemente aseguradas contra la hoja.

FIG. 28



**NOTA:** Diferentes tipos de hojas realizan diferentes líneas de corte (ancho de cortes). Por lo tanto, es necesario verificar el ajuste de la escala de ranura cuando se cambian las hojas. La hoja de reemplazo NO DEBE exceder el espesor indicado en la cuchilla. La cuchilla incluida con la sierra es de 2,2 mm de espesor.

### Selección de Cuchilla

**ADVERTENCIA:** Para minimizar el riesgo de rebote y asegurar un corte correcto, la cuchilla debe tener el espesor correcto para la hoja empleada.

La cuchilla incluida con esta sierra de banco es del tamaño correcto para la hoja incluida con la sierra.

Si se usa una hoja diferente compruebe el grosor del cuerpo (placa) de la hoja y la anchura de la línea de corte de la hoja marcada en la hoja o en el envase de la hoja. El espesor de la cuchilla debe ser mayor que el espesor del cuerpo y menor que el ancho de la línea de corte, como lo muestra la Figure 29. De lo contrario, la cuchilla DEBE ser cambiada con una con el espesor correcto.

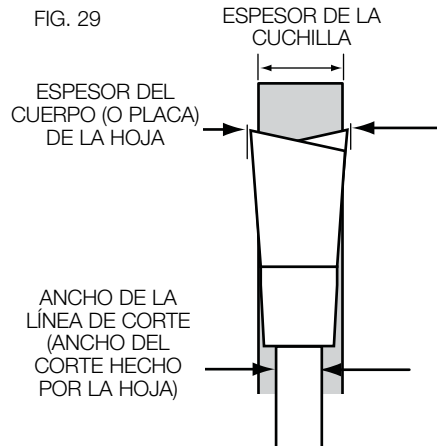


FIG. 29

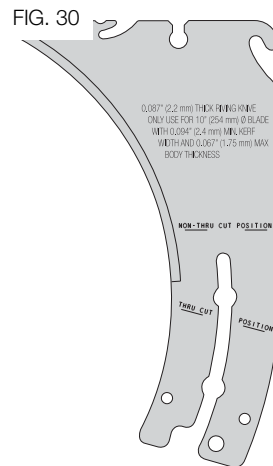


FIG. 30

La cuchilla incluida con esta sierra está marcada como sigue (Fig. 30):

CUCHILLA DE 2,2 mm (0,087 pulg.) DE ESPESOR. USE SOLO CON HOJA DE 254 mm (10 pulg.) CON 2,4 mm (0,094 pulg.) MIN. ancho DE línea de corte y 1,75 mm (0,067 pulg.) MAX. espesor DE cuerpo.

La cuchilla disponible como un accesorio, mercadeada por DEWALT está marcada como sigue:

CUCHILLA DE 2,8 mm (0,110 pulg.) DE ESPESOR. USE SOLO CON HOJA DE 254 mm (10 pulg.) CON 3,0 mm (0,118 pulg.) MIN. ANCHO DE LÍNEA DE CORTE Y 2,5 mm (0,098 pulg.) MAX. ESPESOR DE CUERPO

Todos los espesores de cuerpo de hoja y anchos de líneas de corte pueden encontrarse en [www.DEWALT.com](http://www.DEWALT.com).

Si se utiliza una hoja diferente y las dimensiones del espesor de cuerpo y el ancho de línea de corte no son suministrados, utilice el siguiente procedimiento para determinar el espesor correcto de la cuchilla:

- Mida el espesor del cuerpo de la hoja.
- Realice un corte poco profundo en material sobrante y mida el ancho de la línea de corte.
- Seleccione la cuchilla como lo muestra la Figure 29.
- Deslice la cuchilla, a través del corte poco profundo realizado en el paso 2, para confirmar que la cuchilla correcta ha sido seleccionada. La cuchilla no debe trabarse o arrastrarse a través del corte.

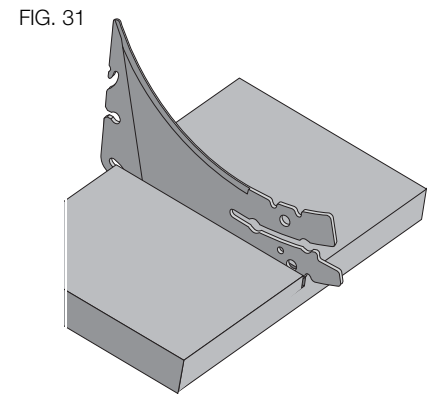


FIG. 31

**IMPORTANTE:** Si se presenta algún arrastre o trava del material al momento que alcanza la cuchilla, apague la unidad y desconecte la máquina de la alimentación de corriente. Repita los pasos 1–4 para realizar la selección correcta de la cuchilla, antes de intentar otro corte.

### Rebote

¡El rebote es una condición peligrosa! Es provocado por el trabado de la pieza de trabajo contra la hoja. El resultado es que la pieza de trabajo puede moverse rápidamente en dirección opuesta a la dirección de alimentación. Durante el rebote, la pieza de trabajo podría ser lanzada de vuelta al operador. También puede arrastrar la mano del operador hacia la hoja, si el operador está detrás de la hoja. Si ocurre el rebote, APAGUE la sierra y verifique el funcionamiento correcto de la cuchilla, del ensamble anti-rebote y del ensamble protector de la hoja, antes de reiniciar el trabajo.

**ADVERTENCIA:** er Reglas Adicionales de Seguridad para Sierras de Banco y siga todas las advertencias suministradas en relación al REBOTE.

### OPERACIÓN

**ADVERTENCIA:** Antes de utilizar la sierra, verifique lo siguiente en todas y cada una de las veces:

- SIEMPRE** utilice equipo de protección ocular, auditivo y respiratorio adecuado.
- La hoja está bien asegurada.
- El ángulo de bisel y las perillas de bloqueo de altura están bien ajustados.
- Si se está ranurando, asegúrese que la palanca de bloqueo de la guía está bien ajustada y que la guía esta paralela a la hoja.
- Si se está realizando un corte cruzado, asegúrese que la perilla de la escuadra de inglete está bien ajustada.
- El ensamble protector de la hoja está correctamente acoplado y el ensamble anti-rebote está funcionando.

7. **SIEMPRE** revise la alineación apropiada, el buen funcionamiento y la holgura del ensamble protector de la hoja y la cuchilla con la hoja de sierra.
8. **SIEMPRE** asegúrese que ambos protectores están en su posición baja en contacto con el banco antes de la operación.

El incumplimiento con alguna de estas reglas de seguridad comunes, pueden incrementar grandemente la posibilidad de lesiones.

**⚠ADVERTENCIA:** Para reducir el riesgo de lesiones, apague la unidad y desconecte la máquina de la alimentación de corriente antes de instalar y retirar accesorios, antes de fijar o cambiar ajustes o cuando realice reparaciones. Un encendido accidental puede provocar lesiones.

**⚠ADVERTENCIA:** Antes de conectar la sierra de banco a la alimentación de corriente o antes de usar la sierra, siempre revise el funcionamiento, alineación y holgura apropiados del ensamble protector de la hoja y la cuchilla con la hoja de sierra. Podría resultar en lesiones corporales.

**⚠ADVERTENCIA:** El ranurado o corte cruzado puede provocar que la sierra se vuelque mientras se está operando. Asegúrese que la sierra está montada firmemente a una superficie estable.

**⚠ADVERTENCIA:** Jamás utilice la guía y la escuadra de inglete al mismo tiempo. Esto puede resultar en una condición rebote y lesionar al operador.

**⚠ATENCIÓN:** Si su sierra emite un ruido no familiar o vibra excesivamente, detenga la operación inmediatamente, apague la unidad y desconéctela de la alimentación de corriente hasta que el problema haya sido identificado y corregido. Contacte un centro de servicio de fábrica DEWALT, un centro de servicio autorizado DEWALT u otro personal de servicio calificado si el problema no puede ser identificado.

**⚠ATENCIÓN:** La placa de garganta correcta debe estar en su lugar en todo momento para reducir el riesgo de lanzamiento de una pieza de trabajo y posibles lesiones.

Existen dos tipos básicos de corte con sierras de banco: ranurado y corte cruzado. Cortar en línea con la veta es ranurar y cortar en contra de la veta es realizar un corte cruzado. Con materiales manufacturados, la distinción se hace de tal forma que el ranurado es el corte a una anchura diferente y el corte cruzado describe el corte del material a lo largo de una dimensión más corta.

**⚠ADVERTENCIA:** Siempre utilice la guía cuando esté ranurando, para darle una guía al material y al ensamble protector de la hoja frente a una situación de rebote.

**⚠ADVERTENCIA:** Jamás realice una operación de corte a mano alzada. Jamás realice un corte de émbolos.

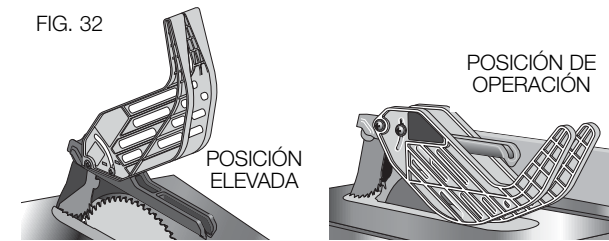
**⚠ATENCIÓN:** Cuando esté realizando un corte cruzado, utilice una escuadra de inglete.

### **Función de Operación del Protector (Fig. 32)**

**⚠ADVERTENCIA:** Para reducir el riesgo de lesiones corporales graves, apague la unidad y desconecte la máquina de la alimentación de corriente antes de intentar moverla, cambiar accesorios o realizar cualquier ajuste. Un encendido accidental puede provocar lesiones.

1. El (Los) protector(es) se bloquearan in-situ cuando estén en la posición elevada.
2. Esta función incrementa la visibilidad cuando se está midiendo la distancia entre la hoja y la guía.
3. Empuje hacia abajo los protectores y estos cambiarán a su posición de operación.
  - **SIEMPRE** asegúrese que ambos protectores están en su posición baja en contacto con la banco antes de la operación.

FIG. 32



### **Ranurado**

**⚠ADVERTENCIA:** Jamás toque el extremo libre de la pieza de trabajo o la pieza libre que se corta, mientras la máquina esté ENCENDIDA y/o la hoja de sierra este girando. La pieza puede hacer contacto con la hoja, resultando en una pieza de trabajo lanzada y posibles lesiones.

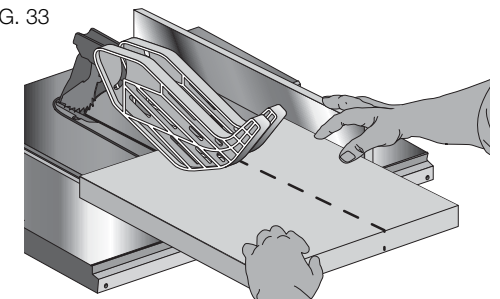
**⚠ADVERTENCIA:** Una guía debe **SIEMPRE** utilizarse para operaciones de ranurado, para prevenir la pérdida de control y lesiones corporales. **JAMÁS** realice una operación de ranurado a mano alzada. **SIEMPRE** bloquee la guía con el riel.

**⚠ADVERTENCIA:** Cuando esté realizando ranurado con bisel y cada vez que sea posible, coloque la guía al costado de la hoja para que la hoja se incline hacia el lado opuesto de la guía y de las manos. Mantenga las manos alejadas de la hoja y utilice una vara de empuje para alimentar la pieza de trabajo si existen menos de 152 mm (6 pulg.) entre la guía y la hoja.

1. Bloquee la guía presionando hacia abajo la palanca de bloqueo del riel. Retire la escuadra de inglete.
2. Levante la hoja hasta 3,2 mm (1/8 pulg.) por encima de la parte superior de la pieza de trabajo.
3. Sujete la pieza de trabajo en posición plana sobre el banco y contra la guía. Mantenga la pieza de trabajo a una distancia aproximada de 25,4 mm (1 pulg.) de la hoja.

**⚠ATENCIÓN:** La pieza de trabajo debe tener un borde recto contra la guía y no debe estar deformada, torcida o doblada. Mantenga ambas manos alejadas de la hoja y del paso de la hoja. Ver la posición apropiada de las manos en la Figura 33.

FIG. 33



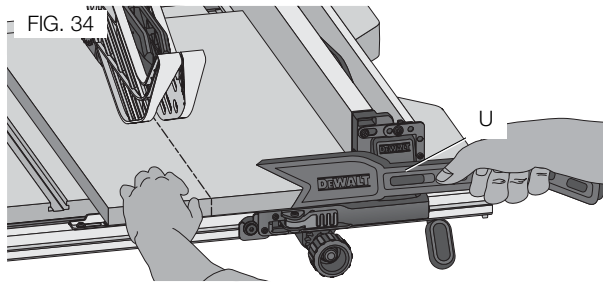
4. Encienda la sierra y permita que la hoja adquiera velocidad. Ambas manos pueden utilizarse para iniciar el corte. Cuando queden aproximadamente 305 mm (12 pulg.) restantes para ser ranurados, utilice solamente una mano, con su dedo pulgar empujando el material, su dedo índice y medio sujetando el material hacia abajo y sus otros dedos sujetando la guía. Siempre mantenga su pulgar al lado de sus dos primeros dedos y cerca de la guía.
5. Manteniendo la pieza de trabajo contra la banco y la guía, lentamente alimente la pieza de trabajo hacia atrás hasta que pase a través de la hoja de la sierra. Continúe empujando la pieza de trabajo hasta que se aleje del ensamble protector de la hoja y caiga a la parte posterior del banco. No sobrecargue el motor.
6. Jamás intente traer de vuelta la pieza de trabajo con la hoja girando. Apague la máquina, permita que la hoja se detenga, levante los dientes anti-rebote en cada lado de la cuchilla, de ser necesario, y deslice la pieza de trabajo hacia afuera.

- Siempre utilice un soporte de trabajo cuando este aserrando una pieza grande de material o panel. Un burro, rodillos o un ensamble de extensión ofrecen un soporte adecuado para este propósito. El soporte de trabajo debe estar a la misma altura que el banco de la sierra.

**¡ATENCIÓN:** Jamás empuje o sostenga el lado libre o cortado de la pieza de trabajo.

### Ranurando Piezas Pequeñas

Resulta inseguro ranurar piezas pequeñas. No es seguro colocar sus mandos cerca de la hoja. En cambio, ranure una pieza más grande para obtener la pieza deseada. Cuando una anchura pequeña de ser ranurada y la mano no puede colocarla con seguridad entre la hoja y la guía, utilice una o más varas de empuje. Al final de este manual, se incluye un patrón para fabricar varas de empuje. Una vara de empuje (U) viene incluida con esta sierra, anclada a la guía. Utilice la(s) vara(s) de empuje para sujetar la pieza de trabajo contra el banco y la guía y empujar la pieza de trabajo completamente más allá de la hoja. Ver Figura 34.

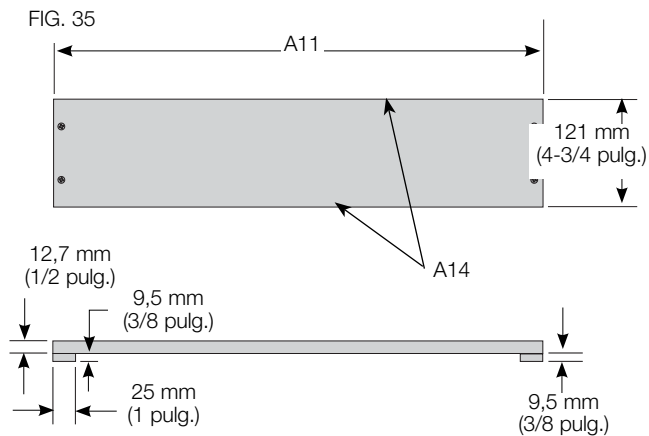


**NOTA:** La sierra de banco está equipada con una estrecha guía para cortes longitudinales que también apoya las piezas de trabajo que sobresalen del banco de la sierra. Consulte **Extensión de apoyo para la pieza de trabajo/Guía estrecha para cortes longitudinales** bajo **Funcionamiento de la guía para cortes longitudinales**.

### Guía Auxiliar Para Cortes Delgados (Fig. 35-37)

La guía auxiliar para cortes delgados debe utilizarse para un ranurado que mida 51 mm (2 pulg.) o menos. Esta guía permitirá al protector permanecer en la sierra cuando se complete el ranurado delgado. Esta guía suministrará un espacio amplio para un uso apropiado del bloque de empuje (A12, ver **Bloque de Empuje**)

- Siga el diagrama en la Fig. 35 para construir una guía auxiliar para cortes delgados (A13, Fig 37). **NOTA:** A11 debe ser cortada para encajar con la longitud de la parte superior de la banco de la sierra y debe ser paralelo a sus lados (A14).

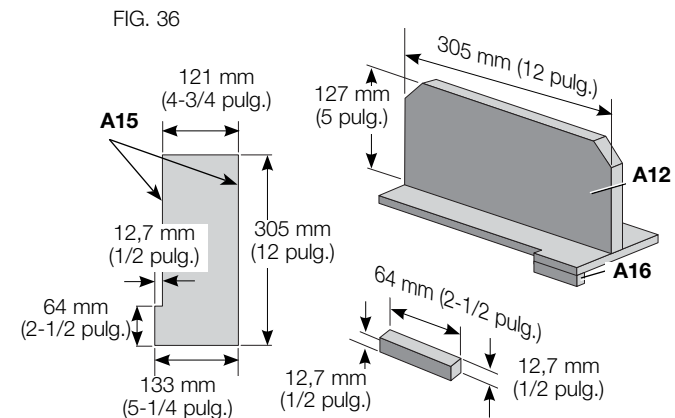


- Luego de construir la guía auxiliar para cortes delgados, deslícela sobre la parte superior de la banco de la sierra y colóquela nivelada con la guía como lo muestra la Figure 37.
- Alimente la pieza de trabajo hasta que el borde del material alcance el borde frontal de la parte superior de la banco de la sierra.
- Continúe alimentando el material utilizando un bloque de empuje (A12) hasta completar el corte.

### Bloque de Empuje (Fig. 36, 37)

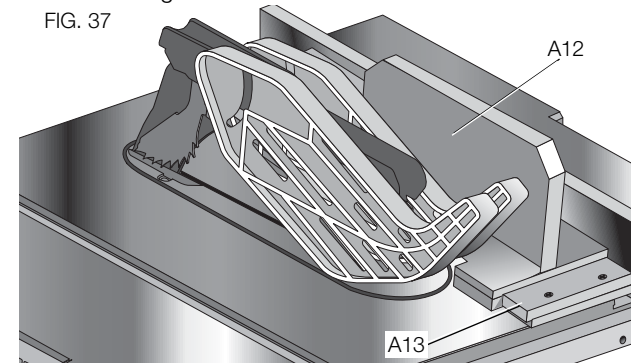
**IMPORTANTE:** Utilice el bloque de empuje (A12) únicamente con la guía auxiliar para cortes delgados, ver **Guía Auxiliar Para Cortes Delgados**. El bloque de empuje debe utilizarse una vez que el material siendo cortado alcanza la parte superior de la banco de la sierra.

- Construya un bloque de empuje utilizando el diagrama en la Figure 36. **NOTA:** Los bordes (A15) deben ser del mismo tamaño. **IMPORTANTE:** El borde que sobresale (A16, Fig. 36) DEBE ser escuadra. Un borde desnivelado puede provocar que el bloque de empuje resbale o empuje el material lejos de la guía.
- Coloque el bloque de empuje (A12, Fig. 37) detrás del material para asegurar que el borde del bloque esta nivelado con la guía auxiliar para cortes delgados (A13).



- Una vez que el bloque de empuje este en posición, continúe alimentando el material hasta que se complete el corte, asegurándose que el bloque de empuje permanece nivelado con la guía auxiliar para cortes delgados en todo momento.

**IMPORTANTE:** La guía auxiliar para cortes delgados y el borde que sobresale (A16, Fig. 36) deben ambos ser del mismo grosor.



## Ranurado de Bisel (Fig. 38)

Esta operación es igual al ranurado, excepto que el ángulo de bisel se ajusta a un ángulo distinto a cero grados.

**ADVERTENCIA:** Antes de conectar la sierra de banco a la alimentación de corriente o antes de usar la sierra, siempre revise la alineación apropiada y la holgura con la hoja de sierra del ensamble del protector de la hoja y la cuchilla. Revise la alineación después de cada cambio del ángulo de bisel.

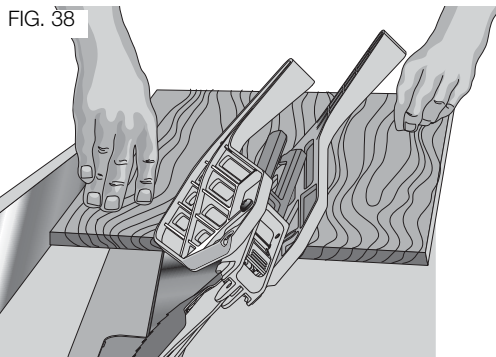


FIG. 38

## Corte Cruzado

**ADVERTENCIA: JAMÁS** toque el extremo libre de la pieza de trabajo o la "pieza libre" que se corta, mientras la máquina esté ENCENDIDA y/o la hoja de sierra esté girando. La pieza puede hacer contacto con la hoja, resultando en una pieza de trabajo lanzada y posibles lesiones.

**ADVERTENCIA:** Para reducir el riesgo de lesiones, **JAMÁS** utilice la guía como un tope de longitud para cortes cruzados.

**ADVERTENCIA: JAMÁS** utilice un tope de longitud en el extremo libre de la pieza de trabajo para cortes cruzados. En pocas palabras, la pieza cortada no debe, en ninguna operación de corte tangencial (corte completo a través de la pieza de trabajo) ser confinada – se le debe permitir alejarse de la hoja de la sierra para evitar el contacto con la hoja que puede resultar en una pieza de trabajo lanzada y posibles lesiones.

**ADVERTENCIA:** Use cautela cuando inicie el corte para prevenir trabado del protector contra la pieza de trabajo, resultando en daño para la sierra y posibles lesiones.

**ATENCIÓN:** Cuando se utilice un bloque con un calibrador de corte, el bloque debe ser de al menos 19 mm (3/4 pulg.) de grueso y es muy importante que el extremo posterior del bloque esté posicionado de tal forma que la pieza de trabajo se libere del bloque antes de que entre en contacto con la hoja, para prevenir el contacto con la hoja que puede resultar en una pieza de trabajo lanzada y posibles lesiones.

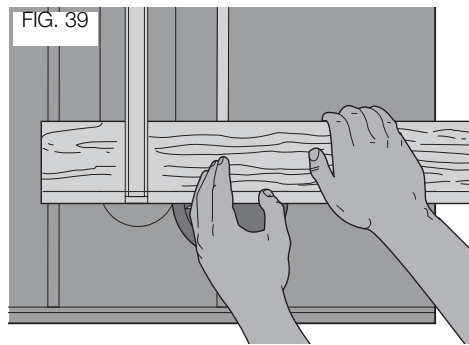


FIG. 39

1. Retire la guía y coloque la escuadra de inglete en la ranura deseada.
2. Ajuste la altura de la hoja de tal forma que la hoja quede a 3,2 mm (1/8 pulg.) por encima de la parte superior de la pieza de trabajo.
3. Sujete firmemente la pieza de trabajo contra la escuadra de inglete con el paso de la hoja en línea con el lugar de corte deseado. Mantenga la pieza de trabajo a una pulgada o a un poco más del frente de la hoja. MANTENGA AMBAS MANOS ALEJADAS DE LA HOJA Y DEL PASO DE LA HOJA (Fig. 39).
4. Encienda la sierra y permita que la hoja adquiera velocidad.
5. Mientras utilice ambas manos para mantener la pieza de trabajo contra la cara de la escuadra de inglete y sujete la pieza de trabajo en posición plana contra el banco, empuje lentamente la pieza de trabajo a través de la hoja. Ver Figura 38.
6. Jamás intente traer de vuelta la pieza de trabajo con la hoja girando. Apague la máquina, permita que la hoja se detenga y cuidadosamente deslice la pieza de trabajo hacia afuera.

**ATENCIÓN:** Jamás empuje o sostenga el lado "libre" o "cortado" de la pieza de trabajo.

## Cortes transversales en bisel

Esta operación es la misma que la de corte transversal, excepto que el bisel se configura en un ángulo distinto de 0°. Para conocer la posición correcta de las manos, consulte la Figura 38.

**ADVERTENCIA:** Antes de conectar la sierra de banco a la alimentación de corriente o antes de usar la sierra, siempre revise la alineación apropiada y la holgura con la hoja de sierra del ensamble del protector de la hoja y la cuchilla. Revise la alineación después de cada cambio del ángulo de bisel.

## Inglete

**ADVERTENCIA:** Los ángulos de inglete mayores a 45° pueden forzar el ensamble protector de la hoja hacia la hoja de la sierra, resultando en daños para el ensamble protector de la hoja y lesiones corporales. Antes de encender el motor, pruebe la operación de la máquina alimentando una pieza de trabajo hacia el ensamble protector de la hoja. Si el ensamble protector de la hoja hace contacto con la hoja, coloque la pieza de trabajo debajo del ensamble protector de la hoja antes de encender el motor y sin tocar la hoja.

**ATENCIÓN:** Ciertas formas de piezas de trabajo, tales como moldeados, pueden no levantar apropiadamente el ensamble protector de la hoja. Alimente la pieza de trabajo lentamente para iniciar el corte. Si el ensamble protector de la hoja hace contacto con la hoja, coloque la pieza de trabajo debajo del ensamble protector de la hoja antes de encender el motor y sin tocar la hoja.

Esta operación es igual al corte cruzado, excepto que la escuadra de inglete se ajusta a un ángulo distinto a cero grados. Sujete FIRMEMENTE la pieza de trabajo contra la escuadra de inglete y alimente la pieza de trabajo lentamente hacia la hoja (para prevenir que la pieza de trabajo se mueva). Ver Figura 40.

## Operación del calibrador de inglete

Para instalar su calibrador de inglete, afloje el mango de bloqueo y mueva el calibrador de inglete hasta alcanzar el ángulo deseado.

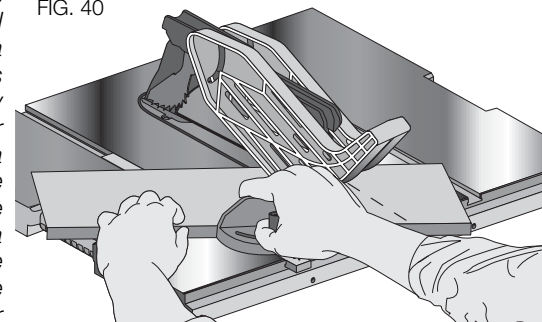
## Corte a inglete compuestos

Es una combinación de cortes a inglete y cortes transversales en bisel. Siga las instrucciones para los cortes transversales y los cortes a inglete.

## Construcción de Tabla con canto biselado

Las tablas con cantos biselados se utilizan para mantener el trabajo en contacto con la guía y al banco y ayudar a prevenir los rebotes. Las dimensiones para construir una tabla con canto biselado típica se muestran en la Fig. 41. Construya la tabla con canto biselado de una pieza entera de madera que esté libre de nudos y agrietamientos. Fije la tabla con canto biselado a la guía y banco de tal manera que el borde punta de la tabla con canto biselado soporte la pieza de trabajo hasta que el corte se complete (Fig. 42). Una tabla plana de 203 mm (8 pulg.) puede ser fijada a la guía y la tabla con canto biselado puede fijarse a la tabla de 203 mm (8 pulg.).

FIG. 40



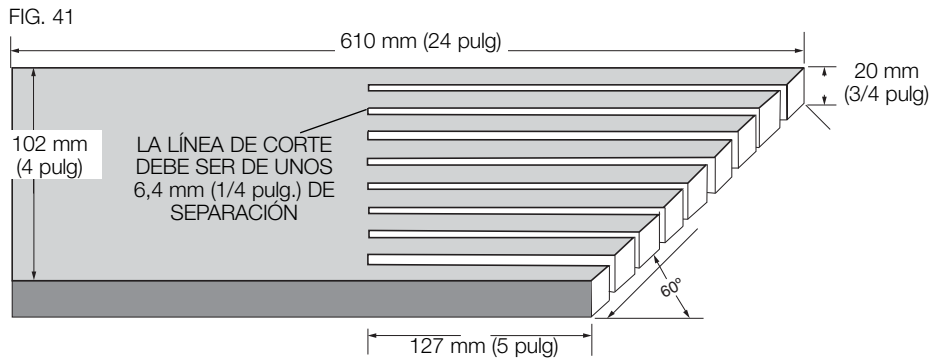
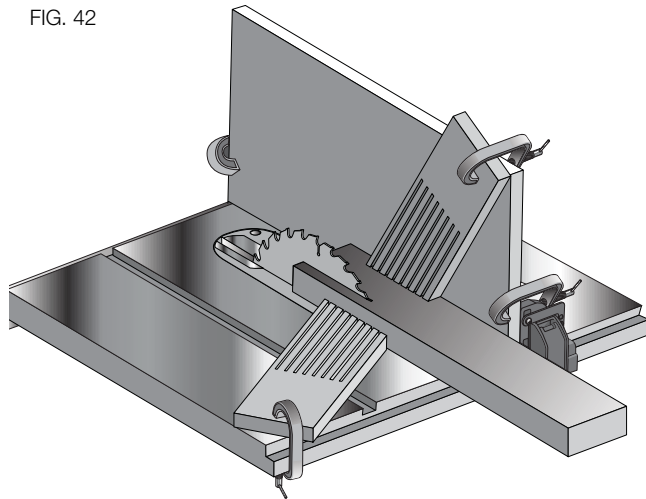


FIG. 42



**⚠ADVERTENCIA:** Utilice las tablas con cantos biselados para todas las operaciones de serruchado no tangencial en las cuales el ensamble protector de la hoja, el ensamble anti-rebote y la cuchilla no puedan ser usados. **Siempre cambie el ensamble protector de la hoja, el ensamble anti-rebote y la cuchilla cuando la operación de serruchado no tangencial se complete.** Asegúrese que la tabla con canto biselado presione solo sobre la porción de la pieza de trabajo que esta frente a la hoja.

### Colector de polvo

Su sierra de banco está equipada con una cubierta para polvo y un colector de polvo. Para obtener mejores resultados, conecte una aspiradora al colector en la parte posterior de la sierra.

Luego del uso prolongado, el sistema de recolección de polvo de la sierra se puede obstruir. Para limpiar el sistema de recolección de polvo:

1. Desenchufe la sierra.
2. Vuelque la sierra de costado para acceder a la parte inferior, abierta de la unidad.
3. Para abrir la puerta de acceso al colector (UU) que se muestra en la Figura 43 retire los tornillos mariposa (V V). Limpie el exceso de polvo y vuelva a asegurar la puerta de acceso con los tornillos mariposa.

FIG. 43

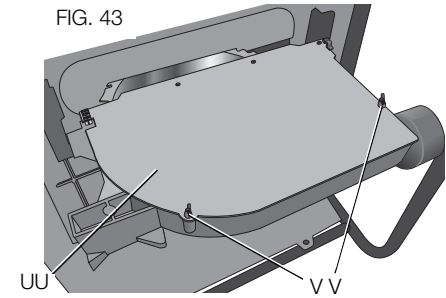
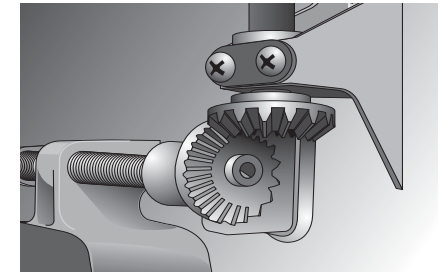


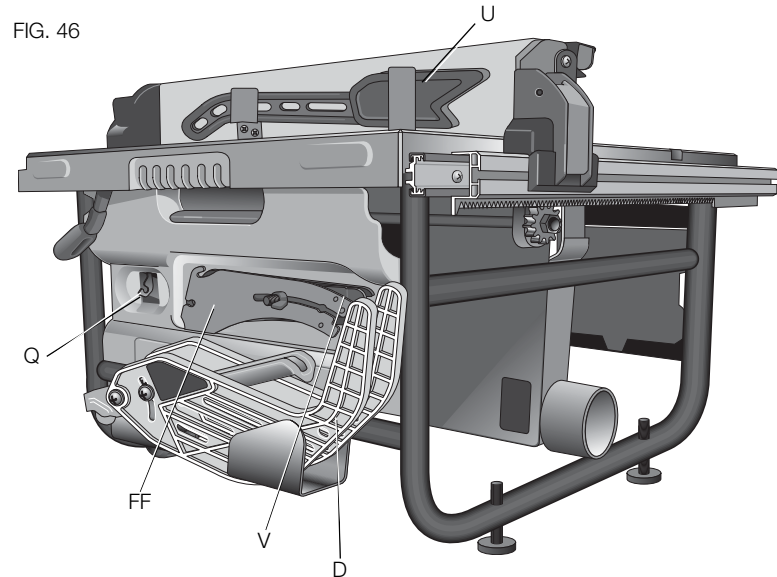
FIG. 44



### Lubricación

1. Todos los cojinetes del motor están permanentemente lubricados desde fábrica y no requieren lubricación adicional.
2. Es posible que el engranaje de ajuste de la altura requiera una limpieza y lubricación periódicas (Fig. 44). Si tiene problemas para elevar o bajar la hoja, contacte a un centro de mantenimiento DEWALT autorizado.

FIG. 46

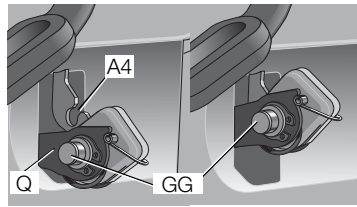


### ALMACENAMIENTO (FIG. 45, 46)

1. Acople la vara de empuje (U) a la guía.
2. Retire el ensamble protector de la hoja (D). Ver **Remoción del Ensamble Protector de la Hoja**. Deslice el ensamble protector de la hoja hacia los soportes como se muestra.

3. Presione el vástago (GG) sobre el ensamble anti-rebote (Q) para permitir que el ensamble se deslice desde la ranura de la cuchilla.
4. Posicione el ensamble anti-rebote dentro del orificio de almacenamiento, como aparece ilustrado. Mientras presiona el vástago (GG) deslice el ensamble anti-rebote a lo largo de la ranura de almacenamiento (A4) y libere la chaveta para que encaje en su sitio.
5. Afloje la perilla de bloqueo de la cuchilla (YY, Fig. 25) (mínimo tres vueltas).
6. Para desacoplar la chaveta de bloqueo de la cuchilla, empuje la perilla de bloqueo (YY) hacia la cuchilla, como lo indican las flechas amarillas sobre la perilla.
7. Levante y deslice la cuchilla de la sierra.
8. Retire la tuerca mariposa que sujeta las llaves de la hoja (V). Coloque la cuchilla (FF) en el poste con las llaves de ajuste de la hoja y asegúrela con la tuerca mariposa.

FIG. 45



## MANTENIMIENTO

**⚠ADVERTENCIA:** para reducir el riesgo de lesiones, apague la unidad y desconéctela de la fuente de alimentación before installing and removing accessories, before adjusting or changing set-ups or wheantes de instalar o retirar accesorios, ajustar o cambiar configuraciones o realizar reparaciones. Un arranque accidental podría causar lesiones.

### Limpieza

**⚠ADVERTENCIA:** para limpiar la herramienta, sólo utilice jabón suave y un paño húmedo en las partes plásticas. Muchos limpiadores para uso doméstico pueden contener sustancias químicas que podrían dañar el plástico considerablemente. Tampoco utilice gasolina, aguarrás, barniz o solvente, líquidos para limpieza en seco o productos similares, que podrían dañar seriamente las piezas de plástico. Nunca permita que penetre líquido dentro de la herramienta ni sumerja ninguna de las piezas en un líquido.

### Accesorios

**⚠ADVERTENCIA:** debido a que no se han probado con este producto otros accesorios que no sean los que ofrece DEWALT, el uso de dichos accesorios podría ser peligroso. Para reducir el riesgo de lesiones, con este producto deben usarse sólo los accesorios DEWALT recomendados.

Si necesita ayuda para localizar algún accesorio, póngase en contacto con DEWALT Industrial Tool Co., 701 East Joppa Road, Baltimore, MD 21286, llame al 1-800-4-DEWALT (1-800-433-9258) o visite nuestro sitio web [www.DEWALT.com](http://www.DEWALT.com).

### Reparaciones

Para asegurar la SEGURIDAD y la CONFIABILIDAD del producto, las reparaciones, el mantenimiento y los ajustes deben (inclusive inspección y cambio de carbones) ser realizados en un centro de mantenimiento en la fábrica DEWALT, en un centro de mantenimiento autorizado DEWALT u por otro personal de mantenimiento calificado. Utilice siempre piezas de repuesto idénticas.

#### PARA REPARACIÓN Y SERVICIO DE SUS HERRAMIENTAS ELÉCTRICAS, FAVOR DE DIRIGIRSE AL CENTRO DE SERVICIO MÁS CERCANO

##### CULIACAN, SIN

Bld.Emiliano Zapata 5400-1 Poniente  
Col. San Rafael

(667) 717 89 99

##### GUADALAJARA, JAL

Av. La Paz #1779 - Col. Americana Sector Juárez

(33) 3825 6978

##### MEXICO, D.F.

Eje Central Lázaro Cárdenas No. 18  
Local D, Col. Obrera

(55) 5588 9377

##### MERIDA, YUC

Calle 63 #459-A - Col. Centro

(999) 928 5038

##### MONTERREY, N.L.

Av. Francisco I. Madero 831 Poniente - Col. Centro

(818) 375 23 13

##### PUEBLA, PUE

17 Norte #205 - Col. Centro

(222) 246 3714

##### QUERETARO, QRO

Av. San Roque 274 - Col. San Gregorio

(442) 2 17 63 14

##### SAN LUIS POTOSI, SLP

Av. Universidad 1525 - Col. San Luis

(444) 814 2383

##### TORREON, COAH

Blvd. Independencia, 96 Pte. - Col. Centro

(871) 716 5265

##### VERACRUZ, VER

Prolongación Díaz Mirón #4280 - Col. Remes

(229) 921 7016

##### VILLAHERMOSA, TAB

Constitución 516-A - Col. Centro

(993) 312 5111

#### PARA OTRAS LOCALIDADES:

Si se encuentra en México, por favor llame al (55) 5326 7100

Si se encuentra en U.S., por favor llame al

1-800-433-9258 (1-800 4-DEWALT)

### Póliza de Garantía

IDENTIFICACIÓN DEL PRODUCTO:

Sello o firma del Distribuidor.

Nombre del producto: \_\_\_\_\_ Mod./Cat.: \_\_\_\_\_

Marca: \_\_\_\_\_ Núm. de serie: \_\_\_\_\_

(Datos para ser llenados por el distribuidor)

Fecha de compra y/o entrega del producto: \_\_\_\_\_

Nombre y domicilio del distribuidor donde se adquirió el producto: \_\_\_\_\_

Este producto está garantizado por un año a partir de la fecha de entrega, contra cualquier defecto en su funcionamiento, así como en materiales y mano de obra empleados para su fabricación. Nuestra garantía incluye la reparación o reposición del producto y/o componentes sin cargo alguno para el cliente, incluyendo mano de obra, así como los gastos de transportación razonablemente erogados derivados del cumplimiento de este certificado.

Para hacer efectiva esta garantía deberá presentar su herramienta y esta póliza sellada por el establecimiento comercial donde se adquirió el producto, de no contar con ésta, bastará la factura de compra.

#### EXCEPCIONES

Esta garantía no será válida en los siguientes casos:

- Cuando el producto se hubiese utilizado en condiciones distintas a las normales;
- Cuando el producto no hubiese sido operado de acuerdo con el instructivo de uso que se acompaña;
- Cuando el producto hubiese sido alterado o reparado por personas distintas a las enlistadas al final de este certificado.











## Push Stick Pattern / Modèle de poussoir / Patrón de la vara de empuje

Adjust length of push stick so hand will clear blade guard and rip fence.

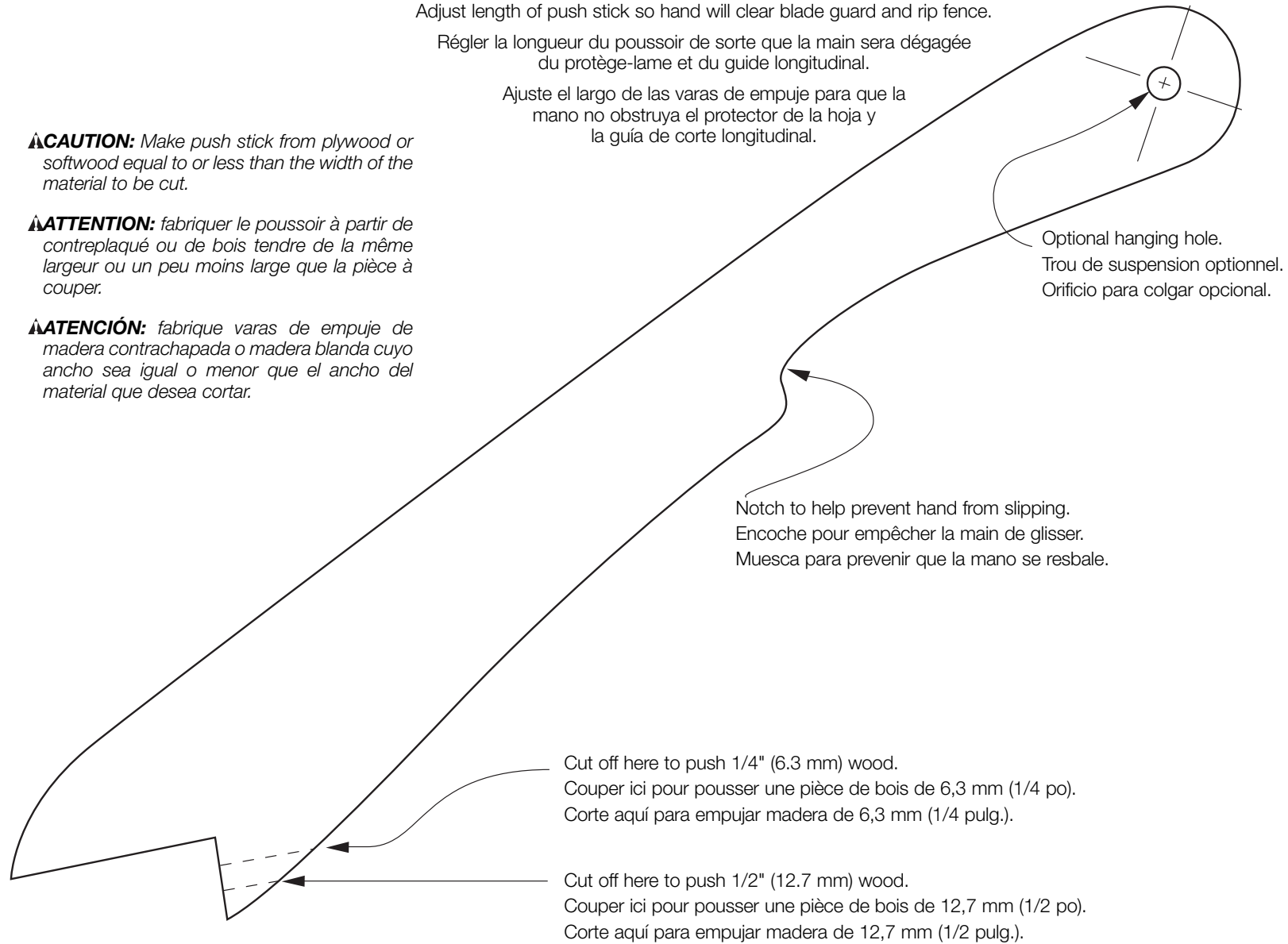
Régler la longueur du poussoir de sorte que la main sera dégagée du protège-lame et du guide longitudinal.

Ajuste el largo de las varas de empuje para que la mano no obstruya el protector de la hoja y la guía de corte longitudinal.

**CAUTION:** Make push stick from plywood or softwood equal to or less than the width of the material to be cut.

**ATTENTION:** fabriquer le poussoir à partir de contreplaqué ou de bois tendre de la même largeur ou un peu moins large que la pièce à couper.

**ATENCIÓN:** fabrique varas de empuje de madera contrachapada o madera blanda cuyo ancho sea igual o menor que el ancho del material que desea cortar.



DEWALT Industrial Tool Co., 701 Joppa Road, Baltimore, MD 21286  
(APR13) Part No. N273727 DWE7480 Copyright © 2013 DEWALT

The following are trademarks for one or more DEWALT power tools: the yellow and black color scheme; the "D" shaped air intake grill; the array of pyramids on the handgrip; the kit box configuration; and the array of lozenge-shaped humps on the surface of the tool.