

Before returning this product call

1-800-4-DEWALT

IF YOU SHOULD EXPERIENCE A PROBLEM WITH YOUR DEWALT PURCHASE,

CALL 1-800-4-DEWALT

IN MOST CASES, A DEWALT REPRESENTATIVE CAN RESOLVE
YOUR PROBLEM OVER THE PHONE.

IF YOU HAVE A SUGGESTION OR COMMENT, GIVE US A CALL.
YOUR FEEDBACK IS VITAL TO THE SUCCESS OF DEWALT'S QUALITY
IMPROVEMENT PROGRAM.

Questions? Visit us at www.dewalt.com
Des questions ? Rendez nous visite à www.dewalt.com
¿Tiene preguntas? Visítenos en www.dewalt.com

INSTRUCTION MANUAL
GUIDE D'UTILISATION
MANUAL DE INSTRUCCIONES

INSTRUCTIVO DE OPERACIÓN, CENTROS DE SERVICIO Y PÓLIZA DE
GARANTÍA. **ADVERTENCIA:** LÉASE ESTE INSTRUCTIVO ANTES DE
USAR EL PRODUCTO.

DEWALT®

DWE7490, DWE7491

Heavy-Duty 10" (254 mm) Job Site Table Saw

Scie de table industrielle de chantier de 254 mm (10 po)

Sierra de banco para el lugar de trabajo de 254 mm (10 pulg.) de alta resistencia

Definitions: Safety Guidelines

The definitions below describe the level of severity for each signal word. Please read the manual and pay attention to these symbols.

⚠ DANGER: Indicates an imminently hazardous situation which, if not avoided, **will result in death or serious injury.**

⚠ WARNING: Indicates a potentially hazardous situation which, if not avoided, **could result in death or serious injury.**

⚠ CAUTION: Indicates a potentially hazardous situation which, if not avoided, **may result in minor or moderate injury.**

NOTICE: Indicates a practice **not related to personal injury** which, if not avoided, **may result in property damage.**

IF YOU HAVE ANY QUESTIONS OR COMMENTS ABOUT THIS OR ANY DEWALT TOOL, CALL US TOLL FREE AT: **1-800-4-DEWALT (1-800-433-9258).**



WARNING: To reduce the risk of injury, read the instruction manual.

General Safety Rules




WARNING: Read all instructions before operating product. Failure to follow all instructions listed below may result in electric shock, fire and/or serious injury.

SAVE THESE INSTRUCTIONS

⚠ WARNING: FOLLOW ALL WIRING CODES and recommended electrical connections to prevent shock or electrocution.

Double Insulation

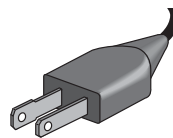
If saw is of double-insulated construction, read the following instructions.

This symbol  represents double insulated construction. Double insulated tools are constructed throughout with two separate layers of electrical insulation or one double thickness of insulation between you and the tool's electrical system. Tools built with this insulation system are not intended to be grounded. As a result, your tool is equipped with a two prong plug which permits you to use extension cords without concern for maintaining a ground connection. Repair or replace damaged or worn cord immediately.

NOTE: Double insulation does not take the place of normal safety precautions when operating this tool. The insulation system is for added protection against injury resulting from a possible electrical insulation failure within the tool.

POLARIZED PLUGS

To reduce the risk of electric shock, this equipment has a polarized plug (one blade is wider than the other). This plug will fit in a polarized outlet only one way. If the plug does not fit fully into the outlet, reverse the plug. If it still does not fit, contact a qualified electrician to install the proper outlet. Do not change the plug in any way.



Important Safety Instructions

- **TO REDUCE THE RISK OF KICKBACK AND OTHER INJURIES,** use all components of the guarding system (blade guard assembly, riving knife and anti-kickback) for every operation for which they can be used including all thru-cutting.
- **REMOVE ADJUSTING KEYS AND WRENCHES.** Form habit of checking to see that keys and adjusting wrenches are removed from spindle before turning tool on. Tools, scrap pieces, and other debris can be thrown at high speed, causing injury.

- **KEEP WORK AREA CLEAN.** Cluttered areas and benches invite accidents.
- **DO NOT USE THE MACHINE IN A DANGEROUS ENVIRONMENT.** The use of power tools in damp or wet locations or in rain can cause shock or electrocution. Keep your work area well-lit to avoid tripping or placing arms, hands, and fingers in danger.
- **KEEP CHILDREN AWAY.** All visitors should be kept at a safe distance from work area. Your shop is a potentially dangerous environment.
- **MAKE WORKSHOP CHILDPROOF** with padlocks, master switches, or by removing starter keys. The unauthorized start-up of a machine by a child or visitor may result in injury.
- **DO NOT FORCE TOOL.** It will do the job better and be safer at the rate for which it was designed.
- **USE THE RIGHT TOOL.** Don't force tool or attachment to do a job for which it was not designed. Using the incorrect tool or attachment may result in personal injury.
- **DO NOT OVERREACH.** Keep proper footing and balance at all times. Loss of balance may cause personal injury. Do not attempt to retrieve materials near the blade on the saw table while the blade is spinning.
- **MAINTAIN TOOLS WITH CARE.** Keep blades sharp and clean for best and safest performance. Follow instructions for lubricating and changing accessories. Poorly maintained blades and machines can further damage the blade or machine and/or cause injury.
- **USE PROPER EXTENSION CORD.** Make sure your extension cord is in good condition. When using an extension cord, be sure to use one heavy enough to carry the current your product will draw. An undersized cord will cause a drop in line voltage resulting in loss of power and overheating. The following table shows the correct size to use depending on cord length and nameplate ampere rating. If in doubt, use the next heavier gauge. The smaller the gauge number, the heavier the cord.

Minimum Gauge for Cord Sets						
Ampere Rating		Volts	Total Length of Cord in Feet (meters)			
		120 V	25 (7.6)	50 (15.2)	100 (30.5)	150 (45.7)
		240 V	50 (15.2)	100 (30.5)	200 (61.0)	300 (91.4)
More Than	Not More Than	AWG				
0	6		18	16	16	14
6	10		18	16	14	12
10	12		16	16	14	12
12	16		14	12	Not Recommended	

- **WEAR PROPER APPAREL.** Do not wear loose clothing, gloves, neckties, rings, bracelets, or other jewelry which may get caught in moving parts. Nonslip footwear is recommended. Wear protective hair covering to contain long hair.
- **ALWAYS USE SAFETY GLASSES.** Also use face or dust mask if cutting operation is dusty. Everyday eyeglasses only have impact resistant lenses, they are NOT safety glasses.
- **SECURE WORK.** Use clamps to hold work when practical (such as when using a zero clearance insert/throat plate). It's safer than using your hand and it frees both hands to operate tool.
- **TURN THE MACHINE "OFF", AND DISCONNECT THE MACHINE FROM THE POWER SOURCE** before installing or removing accessories, before adjusting or changing set-ups, when making repairs or changing locations. Do not touch the plug's metal prongs when unplugging or plugging in the cord. An accidental start-up can cause injury.

- **REDUCE THE RISK OF UNINTENTIONAL STARTING.** Make sure that the switch is in the "OFF" position before plugging in the power cord. In the event of a power failure, move the switch to the "OFF" position. An accidental start-up can cause injury.
- Do not plug into or unplug from power source with wet hands.
- **USE RECOMMENDED ACCESSORIES.** Use only accessories that are recommended by the manufacturer for your model. Accessories that may be suitable for one tool may be hazardous when used on another tool. Consult the instruction manual for recommended accessories. The use of improper accessories may cause risk of injury to persons.
- Magnetic accessories will not work on this saw.
- **NEVER STAND OR SIT ON TOOL.** Serious injury could occur if the tool is tipped or if the cutting tool is unintentionally contacted.
- **CHECK FOR DAMAGED PARTS.** Before further use of the tool, a guard or other part that is damaged should be carefully checked to determine that it will operate properly and perform its intended function—check for alignment of moving parts, binding of moving parts, breakage of parts, mounting and any other conditions that may affect its operation. A guard or other part that is damaged should be properly repaired or replaced. Do not use tool if switch does not turn it on and off. Damaged parts can cause further damage to the machine and/or personal injury.
- **DIRECTION OF FEED.** Feed work into a blade or cutter against the direction of rotation of the blade or cutter only. No cove cutting or freehand cuts.
- Check for adequate outfeed distance behind the saw to be sure materials can pass unobstructed through the cut. Work support tables should be placed in proper locations to fully support the material.
- **NEVER LEAVE TOOL RUNNING UNATTENDED. TURN POWER OFF.** Don't leave tool until it comes to a complete stop. Serious injury can result.
- **DO NOT OPERATE ELECTRIC TOOLS NEAR FLAMMABLE LIQUIDS OR IN GASEOUS OR EXPLOSIVE ATMOSPHERES.** Motors and switches in these tools may spark and ignite fumes.
- **STAY ALERT, WATCH WHAT YOU ARE DOING, AND USE COMMON SENSE. DO NOT USE THE MACHINE WHEN YOU ARE TIRED OR UNDER THE INFLUENCE OF DRUGS, ALCOHOL, OR MEDICATION.** A moment of inattention while operating power tools may result in serious injury.
- **DO NOT ALLOW FAMILIARITY (gained from frequent use of this saw) TO REPLACE SAFETY RULES.** Always remember that a careless fraction of a second is sufficient to inflict severe injury. Use extra caution and stay alert when making repetitive cuts. Turn off saw frequently to clean up saw dust and check adjustments to reduce monotony.

Additional Safety Rules for Table Saws

- **AVOID AWKWARD POSITIONS,** where a sudden slip could cause a hand to move into a saw blade.
- Do not attempt to retrieve materials near the blade on the saw table while the blade is spinning.
- **NEVER REACH IN BACK OF, OR AROUND, THE CUTTING TOOL** with either hand to hold down the workpiece.
- **KEEP ARMS, HANDS AND FINGERS AWAY** from the blade to prevent serious injury.
- **USE A PUSH STICK THAT IS APPROPRIATE TO THE APPLICATION TO PUSH WORKPIECES THROUGH THE SAW.** A push stick is a wooden or plastic stick, often homemade, that should be used whenever the size or shape of the workpiece would cause you to place your hands within 6" (152 mm) of the blade.

- **USE HOLD-DOWNS, JIGS, FIXTURES OR FEATHER BOARDS TO HELP GUIDE AND CONTROL THE WORKPIECE.** Accessories for use with your tool are available at extra cost from your local dealer or authorized service center. Instructions for making a push stick, a narrow rip auxiliary fence, a push block and feather boards are included in this manual.
- **DO NOT PERFORM RIPPING, CROSSCUTTING OR ANY OTHER OPERATION FREEHAND.**
- **NEVER** reach around or over saw blade.
- **STABILITY.** Make sure the table saw is firmly mounted to a secure surface before use and does not move.
- **NEVER CUT METALS, CEMENT BOARD OR MASONRY.** Certain man-made materials have special instructions for cutting on table saws. Follow the manufacturer's recommendations at all times. Damage to the saw and personal injury may result.
- **THE PROPER THROAT PLATE MUST BE LOCKED IN PLACE AT ALL TIMES** to reduce the risk of a thrown workpiece and possible injury.
- **USE THE CORRECT SAW BLADE FOR THE INTENDED OPERATION.** The blade must rotate toward the front of the saw. Always tighten the blade arbor nut securely. Before use, inspect the blade for cracks or missing teeth. Do not use a damaged or dull blade.
- **NEVER ATTEMPT TO FREE A STALLED SAW BLADE WITHOUT FIRST TURNING THE MACHINE OFF AND DISCONNECTING THE SAW FROM THE POWER SOURCE.** If a workpiece or cut-off piece becomes trapped inside the blade guard assembly, turn saw off and wait for blade to stop before lifting the blade guard assembly and removing the piece.
- **NEVER START THE MACHINE** with the workpiece against the blade to reduce the risk of a thrown workpiece and personal injury.
- **DO NOT HAVE ANY PART OF YOUR BODY IN LINE WITH THE BLADE.** Personal injury may occur. Stand to either side of the blade.
- **NEVER PERFORM LAYOUT, ASSEMBLY OR SET-UP WORK** on the table/work area when the machine is running. A sudden slip could cause a hand to move into the blade. Severe injury can result.
- **CLEAN THE TABLE/WORK AREA BEFORE LEAVING THE MACHINE.** Lock the switch in the "OFF" position and disconnect from the power source to prevent unauthorized use.
- **ALWAYS** lock the fence and bevel adjustment before cutting.
- **DO NOT leave a long board (or other workpiece) unsupported so the spring of the board causes it to shift on the table resulting in loss of control and possible injury.** Provide proper support for the workpiece, based on its size and the type of operation to be performed. Hold the work firmly against the fence and down against the table surface.
- **IF THIS SAW** makes an unfamiliar noise or if it vibrates excessively, cease operating immediately, turn unit off and disconnect from power source until the problem has been located and corrected. Contact a DEWALT factory service center, a DEWALT authorized service center or other qualified service personnel if the problem can not be found.
- **DO NOT OPERATE THIS MACHINE** until it is completely assembled and installed according to the instructions. A machine incorrectly assembled can cause serious injury.
- **NEVER** attempt to cut a stack of loose pieces of material which could cause loss of control or kickback. Support all materials securely.
- **ADDITIONAL INFORMATION** regarding the safe and proper operation of power tools (i.e., a safety video) is available from the Power Tool Institute, 1300 Sumner Avenue, Cleveland, OH 44115-2851 (www.powertoolinstitute.com). Information is also available from the National Safety Council, 1121 Spring Lake Drive, Itasca, IL 60143-3201. Please refer to the U.S. Department of Labor OSHA 1910.213 Regulations.

TERMS: THE FOLLOWING TERMS WILL BE USED THROUGHOUT THE MANUAL AND YOU SHOULD BECOME FAMILIAR WITH THEM.

- **Thru-sawing** refers to any cut that completely cuts through the workpiece.
- **Non thru-sawing** refers to any cut that does not completely cut through the workpiece.
- **Push Stick** refers to a wooden or plastic stick, usually homemade, that is used to push small workpiece through the saw and keeps the operator's hands clear of the blade.
- **Kickback** occurs when the saw blade binds in the cut and violently thrusts the workpiece back toward the operator.
- **Freehand** refers to cutting without the use of a miter gauge or rip fence or any other means of guiding or holding the workpiece other than the operator's hands.
 - ⚠ **WARNING:** Never perform freehand cutting with this saw.
- **Plunge cutting** refers to cutting where the workpiece is either lowered down onto the blade with the workpiece controlled by the user's hands or the workpiece is supported by the user's hands on the table surface and the blade is then raised up through the workpiece.
 - ⚠ **WARNING:** Never perform plunge cutting with this saw.
- **Resawing** - Flipping material to make a cut the saw is not capable of making in one pass.
 - ⚠ **WARNING:** Resawing **IS NOT** recommended.
- **Outfeed** - The distance behind the saw required to pass the material all the way through the cut.

SAW BLADE GUARD ASSEMBLY, ANTI-KICKBACK ASSEMBLY AND RIVING KNIFE

This table saw is equipped with a blade guard assembly with splitter and anti-kickback assembly that covers the blade and reduces the possibility of accidental blade contact. A non thru-sawing riving knife is also provided when making non thru-cuts. The riving knife and splitter are flat plates that fit into the cut made by the saw blade and effectively fights kickback by lessening the tendency of the blade to bind in the cut. **The blade guard assembly and anti-kickback assembly can only be used when making thru-cuts that sever the wood. When making rabbets and other cuts that make non thru-cuts, the blade guard assembly and anti-kickback assembly must be removed and then install the non thru-sawing riving knife provided.** Two anti-kickback pawls are located on the sides of the riving knife that allow the wood to pass through the blade in the cutting direction but reduce the possibility of the material being thrown backwards toward the operator.

Use all components of the guarding system (blade guard assembly, riving knife and anti-kickback assembly) for every operation for which they can be used including all thru-cutting. If you elect not to use any of these components for a particular application exercise additional caution regarding control of the workpiece, the use of push sticks, the position of your hands relative to the blade, the use of safety glasses, the means to avoid kickback and all other warnings contained in this manual and on the saw itself. **Replace the guarding systems as soon as you return to thru-cutting operations.** Keep the guard assembly in working order.

MAKING A PUSH STICK (Inside Back Cover)

- In order to operate this table saw safely you must use a push stick whenever the size or shape of the workpiece would cause your hands to be within 6" (152 mm) of the saw blade or other cutter. A push stick is included with this saw.
- No special wood is needed to make additional push-sticks as long as it's sturdy and long enough. A length of 15.7" (400 mm) is recommended with a notch that fits against the edge of the workpiece to prevent slipping. It's a good idea to have several push sticks of the same length (15.7" [400 mm]) with different size notches for different workpiece thicknesses.
- See the inside back cover for a picture of a push stick. The shape can vary to suit your own needs as long as it performs its intended function of keeping your hands away from the blade.

KICKBACKS

Kickbacks can cause serious injury. A kickback occurs when a part of the workpiece binds between the saw blade and the rip fence, or other fixed object, and rises from the table and is thrown toward the operator. Kickbacks can be avoided by attention to the following conditions.

How to Avoid Them and Protect Yourself from Possible Injury

- Use the blade guard with splitter, or use the riving knife whenever possible.
- Be certain that the rip fence is parallel to the saw blade.
- Do not rip by applying the feed force to the section of the workpiece that will become the cut-off (free) piece. Feed force when ripping should always be applied between the saw blade and the fence; use a push stick for narrow work, 6" (152 mm) wide or less.
- Keep saw blade guard assembly, riving knife and anti-kickback assembly in place and operating properly. If anti-kickback assembly is not operational, return your unit to the nearest authorized DEWALT service center for repair. The splitter and riving knife must be in alignment with the saw blade and the anti-kickback assembly must stop a kickback once it has started. Check their action before ripping by pushing the wood under the anti-kickback assembly. The teeth must prevent the wood from being pulled toward the front of the saw.
- Plastic and composite (like laminate flooring) materials may be cut on this saw. However, since these are usually quite hard and slippery, the anti-kickback pawls may not stop a kickback. Therefore, be especially attentive to following proper set up and cutting procedures for ripping.
- Use saw blade guard assembly, anti-kickback assembly and riving knife for every operation for which it can be used, including all thru-sawing.
- Push the workpiece past the saw blade prior to release.
- NEVER** rip a workpiece that is twisted or warped, or does not have a straight edge to guide along the fence.
- NEVER** saw a large workpiece that cannot be controlled.
- NEVER** use the fence as a guide or length stop when crosscutting.
- NEVER** saw a workpiece with loose knots, flaws, nails or other foreign objects.
- NEVER** rip a workpiece shorter than 10" (254 mm).
- NEVER** use a dull blade – replace or have resharpened.

⚠ **WARNING: ALWAYS** use safety glasses. Everyday eyeglasses are NOT safety glasses. Also use face or dust mask if cutting operation is dusty. **ALWAYS WEAR CERTIFIED SAFETY EQUIPMENT:**

- ANSI Z87.1 eye protection (CAN/CSA Z94.3),
- ANSI S12.6 (S3.19) hearing protection,
- NIOSH/OSHA/MSHA respiratory protection.

⚠ **WARNING:** Some dust created by power sanding, sawing, grinding, drilling, and other construction activities contains chemicals known to the State of California to cause cancer, birth defects or other reproductive harm. Some examples of these chemicals are:

- lead from lead-based paints,
- crystalline silica from bricks and cement and other masonry products, and
- arsenic and chromium from chemically-treated lumber.

Your risk from these exposures varies, depending on how often you do this type of work. To reduce your exposure to these chemicals: work in a well ventilated area, and work with approved safety equipment, such as those dust masks that are specially designed to filter out microscopic particles.

- **Avoid prolonged contact with dust from power sanding, sawing, grinding, drilling, and other construction activities. Wear protective clothing and wash exposed areas with soap and water.** Allowing dust to get into your mouth, eyes, or lay on the skin may promote absorption of harmful chemicals.

⚠ WARNING: Use of this tool can generate and/or disperse dust, which may cause serious and permanent respiratory or other injury. Always use NIOSH/OSHA approved respiratory protection appropriate for the dust exposure. Direct particles away from face and body.

SAVE THESE INSTRUCTIONS FOR FUTURE USE

Specifications

Amperes	15 A
Table Size	21-7/8" (556 mm) X 26-3/8" (669 mm)
Miter Angle	30° L&R
Bevel Angle	0° to 45°L
Blade Size	10" (254 mm)
Max. Cut Depth, 0° Bevel	3-1/8" (79 mm)
Max. Cut Depth, 45° Bevel	2-1/4" (57 mm)
RPM, no load	4800

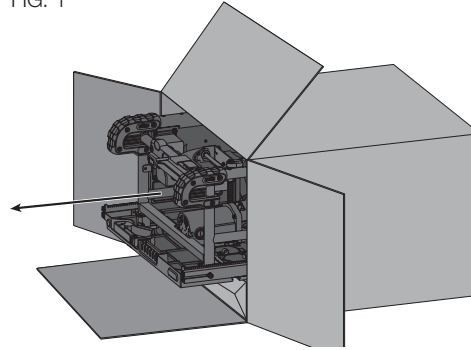
Unpacking (Fig. 1)

⚠ WARNING: To reduce the risk of injury, **DO NOT** connect the machine to the power source until the table saw is completely assembled and you have read the entire instruction manual.

Open the box and slide the saw out, as shown in Figure 1.

Carefully unpack the table saw and all loose items from the carton. Examine all parts to make sure that parts have not been damaged during shipping. If any parts are missing or damaged, contact your dealer to replace them before attempting to assemble the tool.

FIG. 1



FEATURES (Fig. 2, 3)

⚠ WARNING: Never modify the power tool or any part of it. Damage or personal injury could result.

Examine Figures 2 and 3 to become familiar with the saw and its various parts. The following sections on assembly and adjustments will refer to these terms and you must know what and where the parts are.

A. Table	M. Splitter
B. Blade	N. Anti-kickback assembly
C. Rip scale indicator	O. Dust collection port
D. Fine adjust knob	P. Guard dust collection port
E. Rail lock lever	Q. Throat plate
F. Blade height adjustment wheel	R. Rip fence
G. Bevel lock lever	S. Rip fence latch
H. ON/OFF switch	T. Work support/narrow rip fence (shown in stored position)
I. Mounting holes	U. Blade wrenches (stored position)
J. Miter gauge	V. Push stick (stored position)
K. Blade guard assembly	W. Riving knife (non thru sawing) (FIG. 27)
L. Riving knife/blade guard release lever	

FIG. 2

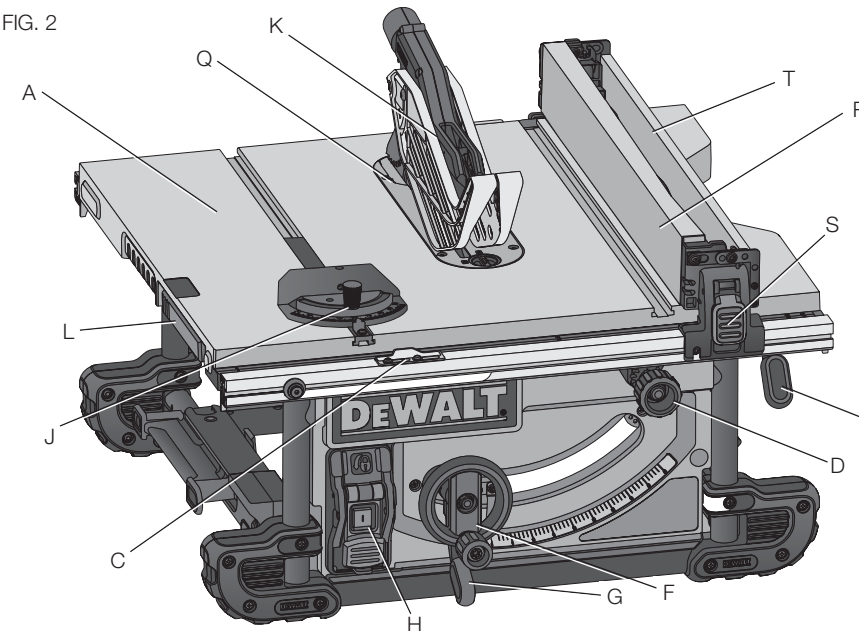
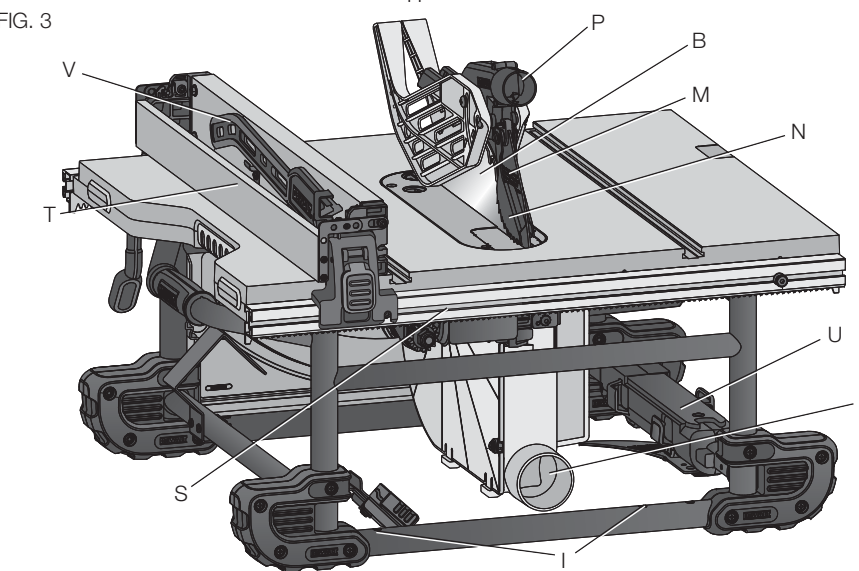


FIG. 3



INTENDED USE

This table saw is designed for professional ripping, crosscutting, mitering, beveling and non thru-cutting applications, such as dadoing, with various materials.

DO NOT use for cutting metal, cement board, or masonry.

DO NOT use under wet conditions or in presence of flammable liquids or gases.

DO NOT let children come into contact with the tool. Supervision is required when inexperienced operators use this tool.

ASSEMBLY

⚠WARNING: Shock Hazard. To reduce the risk of serious personal injury, turn unit off and disconnect machine from power source before attempting to move it, change accessories or make any adjustments. An accidental start-up can cause injury.

THIS SAW SHOULD BE ASSEMBLED IN THE FOLLOWING ORDER: (FIG. 2, 4)

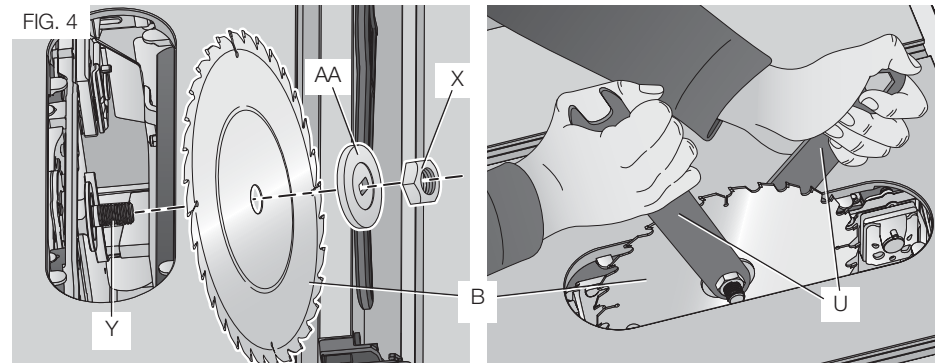
1. Make sure blade is installed correctly and arbor nut is tight. Use wrenches (U) stored on the tool. Refer to Figure 3.
2. Install and lock throat plate (Q). (**NOTE:** Adjust leveling screws before proceeding. Refer to **To Assemble the Throat Plate.**)
3. Attach the rip fence (R). (**NOTE:** Adjust rip scale before proceeding. Refer to **Adjusting Rip Scale.**)
4. Position the blade guard assembly.
5. Attach anti-kickback assembly to the guard assembly.

NOTE: To attach this table saw to a stand, please follow the instructions included with the stand assembly.

Tools needed for assembly include the wrenches included with this saw.

ATTACHING/REPLACING THE BLADE (FIG. 2, 4)

1. Raise the saw blade arbor to its maximum height by turning the blade height adjustment wheel (F) clockwise.
2. Remove the arbor nut (X) and flange (AA) from the saw arbor by turning counterclockwise.



3. Place the saw blade on to the spindle (Y) making sure the teeth of the blade (B) point down at the front of the table. Assemble the flange and arbor nut to the spindle and tighten arbor nut (X) as far as possible by hand, making sure that the saw blade is against the inner washer and the flange (AA) is against the blade. Ensure the largest diameter of the flange is against the blade. Ensure the spindle and flange are free from dust and debris.
4. To keep the spindle from rotating when tightening the arbor nut, use the open end of the wrench (U) to secure the spindle.
5. Using the arbor wrench, tighten the arbor nut (X) by turning it clockwise.
6. **NOTE:** Different types of blades make different kerfs (width of cuts). Therefore, it is necessary to check adjustment of rip scale when changing blades. Replacement blade **MUST** not exceed the thickness stated on the riving knife. The riving knife provided with the saw is 2.2 mm thick.

POSITIONING THE BLADE GUARD ASSEMBLY/RIVING KNIFE (FIG. 5, 6)

To position the blade guard assembly:

⚠WARNING: Use the blade guard assembly for all thru-sawing.

1. Raise the saw blade arbor to its maximum height.
2. Install blade guard assembly by pulling the riving knife/guard release lever (L) and inserting splitter (M) until it bottoms out.
3. Release lever, make sure clamp plates are fully closed and the splitter is clamped securely.

NOTE: Pull on the blade guard assembly/riving knife to ensure it has locked into place.

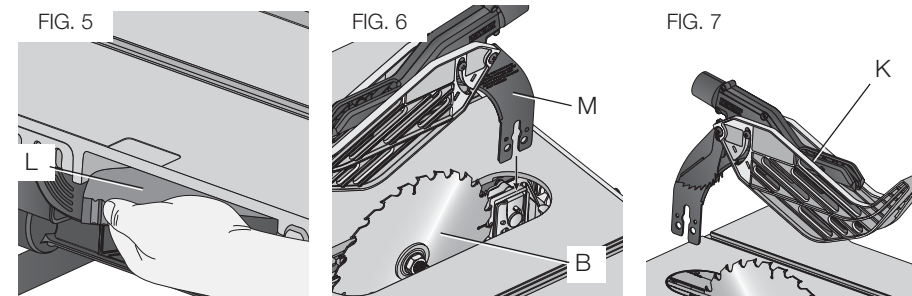
⚠WARNING: Use the riving knife for non thru-sawing when blade guard assembly cannot be used.

NOTE: Follow steps 1–3 to install the riving knife (W) in the same manner as the blade guard assembly, Refer to figure 24.

⚠WARNING: Before connecting the table saw to the power source or operating the saw, always inspect the blade guard assembly and riving knife for proper alignment and clearance with saw blade. Check alignment after each change of bevel angle.

⚠WARNING: To reduce the risk of serious personal injury, **DO NOT** operate saw if riving knife or blade guard assembly is not securely clamped in place.

When properly aligned, the blade guard assembly/riving knife will be in line with the blade at both table top level, and at the top of the blade. Using a straight edge, ensure that the blade (B) is aligned with the riving knife (W) or the splitter (M). With power disconnected, operate the blade tilt and height adjustments through the extremes of travel and ensure the blade guard assembly clears the blade in all operations and that the anti-kickback assembly is functioning.

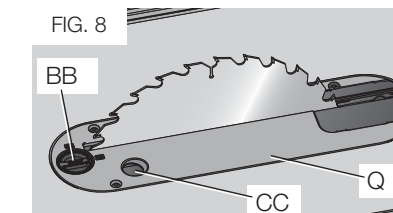


To remove the blade guard assembly/riving knife (FIG. 5, 7)

1. Pull the riving knife/guard release lever (L).
2. Lift up on blade guard assembly(K)/riving knife (W).

TO ASSEMBLE THE THROAT PLATE (FIG. 8)

1. Align the throat plate (Q) as shown in Figure 8, and insert the tabs on the back of the throat plate into the holes on the back of the table opening.
2. Rotate cam counterclockwise until the front of throat plate drops into place. Secure by rotating cam lock knob (BB) clockwise 1/4 turn (when cam lock is under the table holding the throat plate in place).
3. The throat plate includes four adjustment screws which raise or lower the throat plate. When properly adjusted, the front of the throat plate should be flush or slightly below the surface of the table top and secured in place. The rear of the throat plate should be flush or slightly above the table top.



TO REMOVE THE THROAT PLATE

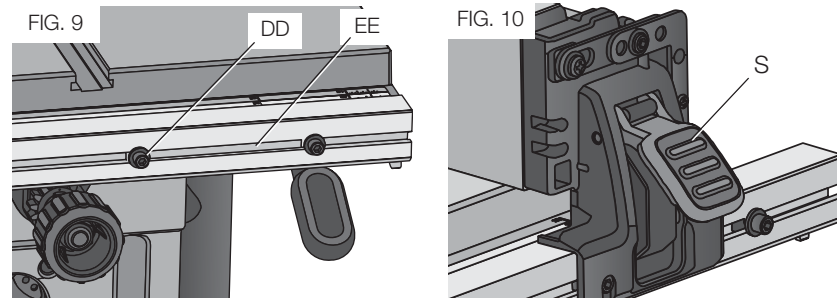
1. Remove the throat plate (Q) by turning the cam lock knob (BB) 1/4 turn counterclockwise
2. Using finger hole (CC) on the plate, pull throat plate up and forward to expose the inside of the saw. **DO NOT** operate the saw without the throat plate. If using dado blade, use proper dado throat plate (sold separately).

▲ WARNING: To reduce the risk of serious personal injury, the throat plate must be locked in place at all times.

DWE7490 - ASSEMBLING THE RIP FENCE (FIG. 9, 10)

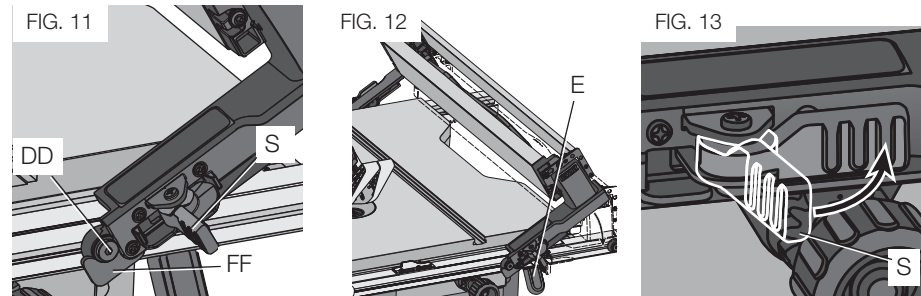
The rip fence can be installed in two positions on the right (position 1 for 0" to 24.5" ripping, and position 2 for 4" to 28.5" ripping) and one position on the left of your table saw.

1. Align the locator pin (DD) on the fence rail with the fence head slot and align the latch (S) with the opening (EE).
2. Secure the rip fence by snapping the latches onto the rails as shown in Figure 9. Be sure to snap both front and rear latches (S) in place.

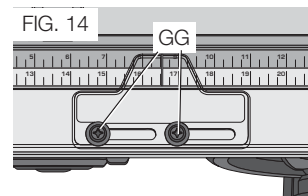
**DWE7491 - ASSEMBLING THE RIP FENCE (FIG. 11-13)**

The rip fence can be installed in two positions on the right (Position 1 for 0" to 24.5" ripping, and Position 2 for 8" to 32.5" ripping) and one position on the left of this saw.

1. Unlock the fence latches (S).
2. Holding the fence at an angle, align the locator pins (front and back) (DD) on the fence rails with the fence head slots (FF) as shown in Figure 11.
3. Slide the head slots onto the pins and rotate the fence down until it rests on the rails.
4. Lock the fence in place by closing the front and back latches (S) onto the rails.

**ADJUSTING THE RIP SCALE (FIG. 12, 14)**

1. Unlock the rail lock lever (E).
2. Set the blade at 0° bevel and move the fence in until it touches the blade.
3. Lock the rail lock lever.



4. Loosen the rip scale indicator screws (GG) and set the rip scale indicator to read zero (0). Retighten the rip scale indicator screws. The yellow rip scale (top) reads correctly only when the fence is mounted on the right side of the blade and is in position 1 (for 0 to 24.5" ripping) [not the 32" rip position]. The white scale (bottom) reads correctly only when the fence is mounted on the right side of the blade and in position 2 (for 4" to 32.5" ripping). **NOTE:** For the DWE7491 the white scale (bottom) reads correctly only when the fence is mounted on the right side of the blade and in position 2 (for 8" to 28.5" ripping)

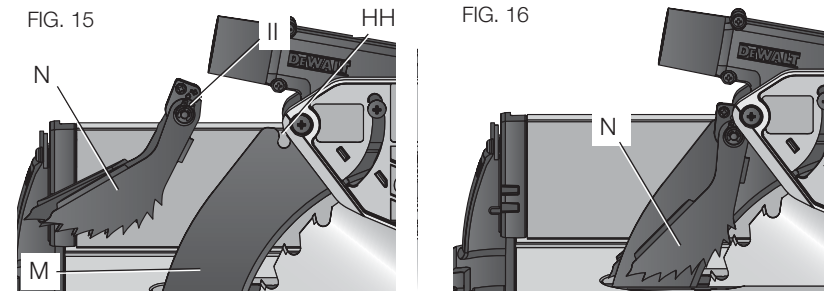
A metric scale is available at an additional cost, refer to **Accessories** for details.

ANTI-KICKBACK ASSEMBLY (FIG. 15, 16)

▲ WARNING: To reduce the risk of serious personal injury, the anti-kickback assembly must be in place for all possible cuts.

1. Remove the anti-kickback assembly (N) from the storage position. Refer to **Storage**.
2. Locate the anti-kickback mounting slot (HH) at the top of the splitter (M).
3. Align the stem (II) with the mounting slot. Depress the stem (II) and push down on the anti-kickback assembly (N) until it snaps and locks into place. **NOTE:** Pull on the anti-kickback assembly to ensure it has locked into place.
4. To remove the anti-kickback assembly, depress the stem and pull up and out of the mounting slot.

With power disconnected, operate the blade tilt and height adjustments through the extremes of travel and ensure the blade guard assembly clears the blade in all operations and that the anti-kickback assembly is functioning.

**Bench Mounting**

▲ WARNING: Before mounting to a bench or a stand, to reduce the risk of serious personal injury, turn unit off and disconnect machine from power source before attempting to move it, change accessories or make any adjustments. An accidental start-up can cause injury.

▲ CAUTION: To reduce the risk of personal injury, make sure table saw is firmly mounted to a stable surface or stand provided before use.

▲ CAUTION: Ensure that the surface is stable enough that large pieces of material will not cause it to tip over during use.

The table saw must be mounted firmly. **The mounting surface must have a 15" by 15" (38 x 38 cm) opening to allow dust to escape.**

Four holes (I) are provided in the tool's base for mounting. We strongly recommend that these holes be used to anchor the table saw to your workbench or other stationary rigid frame.

1. Center the saw on a square piece of 1/2" (12.7 mm) plywood. The plywood must have a 15" x 15" (38 x 38 cm) opening to allow dust to escape.
2. Mark the positions of the two rear mounting holes (spaced 8-5/8" [220 mm] apart) in the frame of the saw with a pencil. Then measure forward 19-5/8" (498.5 mm) the two front holes.
3. Remove the saw and drill 5/16" (7.9 mm) holes in the places you have just marked.

- Position the saw over the four holes you drilled in the plywood and insert four 1/4" (6.4 mm) machine screws FROM THE BOTTOM. Install washers and 5/16" (7.9 mm) nuts on the top. Tighten securely.
- In order to prevent the screw heads from marring the surface to which you clamp the saw, attach two strips of scrap wood to the bottom of the plywood base. These strips can be attached with wood screws installed from the top side as long as they don't protrude through the bottom of the strip.
- Use a "C" clamp to secure the plywood base to your workbench whenever you use the saw.

Connecting Saw to Power Source

⚠ WARNING: To reduce the risk of injury, before connecting saw to power source, make sure the switch is in the OFF position.

Be sure your power supply agrees with the nameplate marking. AC ONLY means that this saw will operate on alternating current only. A voltage decrease of 10 percent or more will cause a loss of power and overheating. All DEWALT tools are factory tested. If this tool does not operate, check the power supply.

ADJUSTMENTS

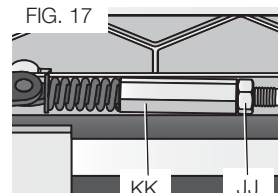
⚠ WARNING: To reduce the risk of injury, turn unit off and disconnect machine from power source before installing and removing accessories, before adjusting or changing set-ups or when making repairs. An accidental start-up can cause injury.

NOTE: This saw is fully and accurately adjusted at the factory at the time of manufacture. If readjustment due to shipping and handling or any other reason is required, follow the sections below to adjust this saw.

Once made, these adjustments should remain accurate. Take a little time now to follow these directions carefully to maintain the accuracy of which this saw is capable.

RAIL LOCK ADJUSTMENT (FIG. 2, 17) (Tightening Fence Clamping System)

- Lock the rail lock lever (E).
- On the underside of the saw, loosen the jam nut (JJ).
- Tighten the hex rod (KK) until the spring on the locking system is compressed creating the desired tension on the rail lock lever. Retighten the jam nut against the hex rod.
- Check that the fence does not move when the lock lever is engaged. If the fence is still loose, tighten the spring further.



RIP SCALE ADJUSTMENT

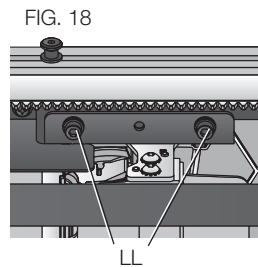
See *Adjusting the Rip Scale* under **Assembly**.

BLADE ALIGNMENT ADJUSTMENT (FIG. 18) (Blade Parallel to Miter Slot)

⚠ WARNING: Cut Hazard. Check the blade at 0° and 45° to make sure blade does not hit the throat plate, causing personal injury.

If the blade appears to be out of alignment with the miter slot on the table top, it will require calibration for alignment. To realign the blade and miter slot, use the following procedure:

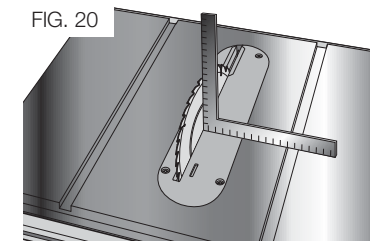
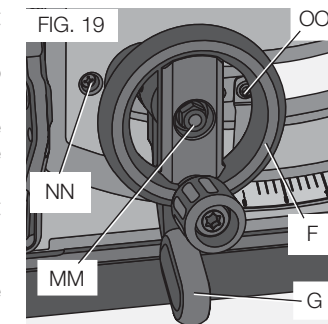
⚠ WARNING: To reduce the risk of injury, turn unit off and disconnect machine from power source before installing and removing accessories, before adjusting or changing set-ups or when making repairs. An accidental start-up can cause injury.



- Using a 6 mm hex wrench, loosen rear pivot bracket fasteners (LL) just enough to allow the bracket to move side-to-side.
- Adjust the bracket until the blade is parallel to the miter gauge slot.
- Tighten the rear pivot bracket fasteners to 110–120 in-lbs (12.5–13.6 Nm).

BEVEL STOP AND POINTER ADJUSTMENT (FIG. 19, 20)

- Raise the blade fully by rotating the blade height adjustment wheel (F) clockwise until it stops.
- Unlock the bevel lock lever (G) by pushing it up and to the right. Loosen the bevel stop screw (NN).
- Place a square flat against the table top and against the blade between teeth, as shown in Figure 20. Ensure the bevel lock lever is in its unlocked, or up, position.
- Using the bevel lock lever, adjust the bevel angle until it is flat against the square.
- Tighten the bevel lock lever by pushing it down.
- Turn the bevel stop cam (MM) until it firmly contacts the bearing block. Tighten the bevel stop screw (NN).
- Check the bevel angle scale. If the pointer does not read 0°, loosen pointer screw (OO) and move the pointer so it reads correctly. Retighten the pointer screw.
- Repeat at 45°, but do not adjust pointer.



MITER GAUGE ADJUSTMENT (FIG. 2)

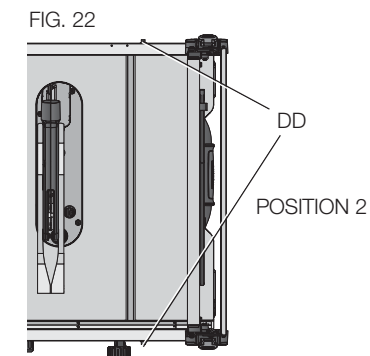
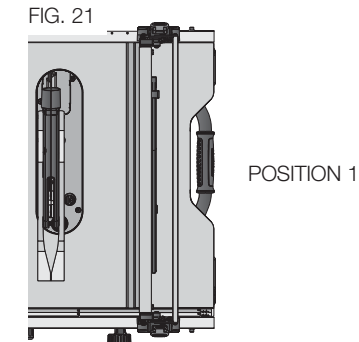
To adjust miter gauge (J) loosen knob, set to desired angle and tighten knob.

FENCE ALIGNMENT ADJUSTMENT (FIG. 2, 21) (Blade Parallel to Fence)

If you experience fence alignment problems and want to correct an out of parallel alignment between the fence and the blade, be sure to check the alignment of the blade to the miter slot first. After confirming that those elements are aligned, proceed with alignment of the blade to the fence using the following procedure:

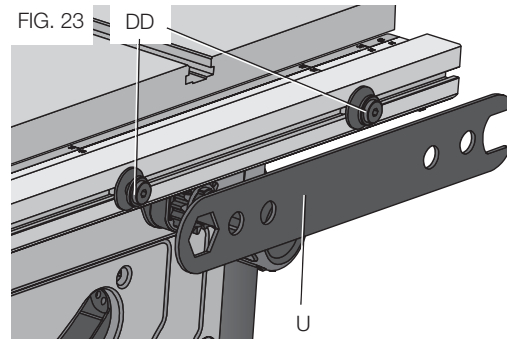
POSITION 1 FENCE ALIGNMENT (FIG. 21)

- Install the fence in position 1 (Fig. 21) and unlock the rail lock lever (E). Locate both locator pins (DD) that support the fence on the front and rear rails.
- Loosen the rear locator pin screw and adjust the alignment of the fence in the groove until the fence face is parallel to the blade. Make sure you measure from the fence face to the front and back of the blade to ensure alignment.
- Tighten the locator pin screw and repeat on the left side of the blade.
- Check rip scale pointer adjustment.



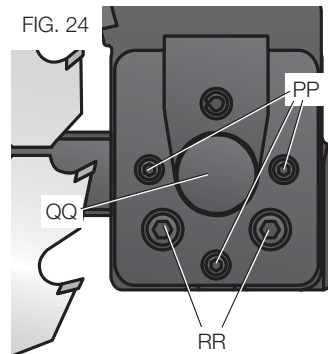
POSITION 2 FENCE ALIGNMENT (FIG. 22, 23)

1. To align position 2 fence locator pins, ensure position 1 pins have been aligned, refer to **Position 1 Fence Alignment**.
2. Loosen the position 2 locator pins, then using the blade wrench holes as a guide for positioning, align the pins (Fig. 23).
3. Tighten the locator pins (front and rear).



ALIGNING RIVING KNIFE TO BLADE (FIG. 24)

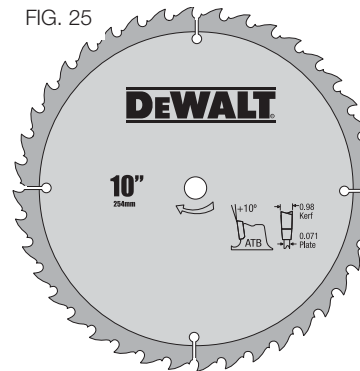
1. Remove the throat plate. Refer to **Remove Throat Plate** under **Assembly**.
2. Raise the blade to full depth of cut and 0° bevel angle.
3. Locate the three small set screws (PP) adjacent to the riving knife lock knob (QQ). These screws will be used to adjust the riving knife position.
4. Lay a straight edge on the table against two blade tips. The riving knife should not touch the straight edge. If needed, loosen the two larger lock screws (RR).
5. Adjust the small set screws (PP) to move the riving knife according to the position noted in step 5. Lay the straight edge on the opposite side of the blade and repeat adjustments as needed.
6. Lightly tighten the two larger lock screws (RR).
7. Place a square flat against the riving knife to verify the riving knife is vertical and in-line with the blade.
8. If needed, use the set screws to bring the riving knife vertical with the square.
9. Repeat steps 5 and 6 to verify position of riving knife.
10. Fully tighten the two larger lock screws (RR).



Saw Blades (Fig. 25)

⚠ WARNING: Riving knives must be matched to saw blade dimensions in order to function effectively. Refer to **Riving Knife Selection**.

NOTE: THIS SAW IS INTENDED FOR USE ONLY WITH SAW BLADES 10" (254 mm) IN DIAMETER.



- The saw blade furnished with your new saw is a 10" (254 mm) combination blade, used for crosscutting (across the grain) and ripping (with the grain) through the material. The center hole to fit on the arbor is 5/8" (16 mm) diameter. This blade will produce a good quality cut for most applications.
- There are many types of blades available to do specific and special jobs such as cross cut only, rip only, hollow ground, thin plywood, paneling, etc.
- Use only saw blades designed for maximum safe operating speeds of 5,000 RPM or greater.
- Saw blades should always be kept sharp. It is recommended that you locate a reputable sharpening service to sharpen your blades when needed.
- Never stack blades on top of one another to store. Place material such as cardboard between them to keep the blades from coming in contact with one another.

⚠ CAUTION: To reduce the risk of injury, abrasive wheels or blades (including diamond) should not be used on this saw.

Splitter and Riving Knife Selection (Fig. 26–28)

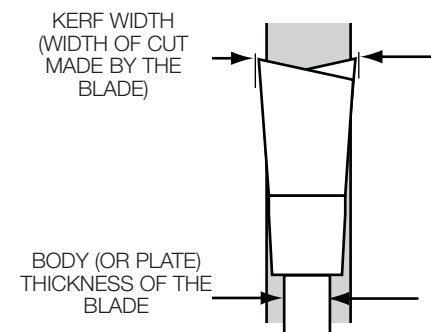
⚠ WARNING: To minimize the risk of kickback and to ensure proper cutting, the splitter and riving knife must be the proper thickness for the blade used.

The splitter and riving knife supplied with this table saw is the correct size for the blade supplied with the saw.

If a different blade is used, check the blade body (plate) thickness and the blade kerf (cutting) width marked on the blade or on the blade packaging. The splitter and riving knife thickness must be greater than the body thickness and less than the kerf width as shown in Figure 26.

FIG. 26

RIVING KNIFE
THICKNESS



The riving knife provided with this saw is marked as follows (Fig. 27):

0.087" (2.2 mm) THICK RIVING KNIFE. ONLY USE FOR 10" (254 mm) Ø BLADE WITH 0.094" (2.4 mm) MIN. KERF WIDTH AND 0.067" (1.75 mm) MAX. BODY THICKNESS.

FIG. 27



All DEWALT blade body thickness and kerf widths are provided at www.dewalt.com.

If a different blade is used and the body thickness and kerf width dimensions are not provided, use the following procedure to determine the correct riving knife thickness:

1. Measure the body thickness of the blade.
2. Make a shallow cut in scrap material and measure the kerf width.
3. Select the riving knife (Fig. 28).
4. Slide the riving knife through the shallow cut made in step 2 to confirm the correct riving knife has been selected. The riving knife should not bind or drag through the cut (Fig. 28).

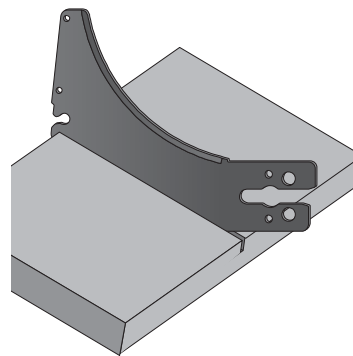
IMPORTANT: If any dragging or binding of the material is encountered as it reaches the riving knife, turn unit off and disconnect machine from power source. Repeat steps 1–4 to make the proper riving knife selection before attempting another cut.

Kickback

Kickback is a dangerous condition! It is caused by the workpiece binding against the blade. The result is that the workpiece can move rapidly in a direction opposite to the feed direction. During kickback, the workpiece could be thrown back at the operator. It can also drag the operator's hand back into the blade if the operator's hand is at the rear of the blade. If kickback occurs, turn the saw OFF and verify the proper functioning of the riving knife, anti-kickback assembly and blade guard assembly before resuming work.

⚠ WARNING: See **Additional Safety Rules for Table Saws** and follow all warnings provided regarding KICKBACK.

FIG. 28



OPERATION

⚠ WARNING: To reduce the risk of injury, turn unit off and disconnect machine from power source before installing and removing accessories, before adjusting or changing set-ups or when making repairs. An accidental start-up can cause injury.

⚠ WARNING: Before using the saw, verify the following each and every time:

- **ALWAYS** wear proper eye, hearing and respiratory equipment.
- Blade is tight.
- Bevel angle and height lock knobs are tight.
- If ripping, ensure fence lock lever is tight and fence is parallel to the blade.
- If crosscutting, miter gauge knob is tight.
- The blade guard assembly is properly attached and the anti-kickback assembly is functioning.
- **ALWAYS** inspect the blade guard assembly and riving knife for proper alignment, operation and clearance with saw blade.
- **ALWAYS** make sure both guards are in the down position in contact with the table before operating.

⚠ WARNING: To reduce the risk of serious personal injury, have push stick ready to use before starting cut.

Failure to adhere to these common safety rules can greatly increase the likelihood of injury.

⚠ WARNING: To reduce the risk of injury, turn unit off and disconnect machine from power source before installing and removing accessories, before adjusting or changing set-ups or when making repairs. An accidental start-up can cause injury.

⚠ WARNING: Before connecting the table saw to the power source or operating the saw, always inspect the blade guard assembly and riving knife for proper operation alignment and clearance with saw blade. Personal injury may result.

⚠ WARNING: Ripping or crosscutting may cause saw to tip over while operating. Make sure saw is securely mounted to a stable surface.

⚠ WARNING: Never use the fence and miter gauge together. This may cause a kickback condition and injure the operator.

⚠ CAUTION: If this saw makes an unfamiliar noise or if it vibrates excessively, cease operating immediately, turn unit off and disconnect from power source until the problem has been located and corrected. Contact a DEWALT factory service center, a DEWALT authorized service center or other qualified service personnel if the problem cannot be found.

⚠ CAUTION: The proper throat plate must be in place at all times to reduce the risk of a thrown workpiece and possible injury.

There are two basic types of cutting with table saws: ripping and crosscutting. Regardless of material, man made or natural wood, the distinction between ripping and crosscutting is as follows: Ripping is cutting to a different width (usually with the grain) and crosscutting describes cutting material across the shorter dimension (usually against the grain).

⚠ WARNING: When ripping, always use the fence to provide a guide for the material and blade guard assembly to protect against a kickback situation.

⚠ WARNING: Never perform any cutting operation free hand. Never perform plunge cutting.

⚠ CAUTION: When crosscutting, always use the miter gauge.

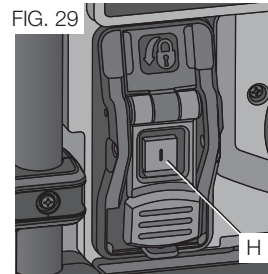
On-Off Switch (Fig. 29)

⚠ WARNING: To reduce the risk of injury, be sure the switch is in the OFF position before plugging machine in.

Push green button (H) in to turn this saw on and push down the red paddle to turn this saw off.

LOCK OFF FEATURE INSTRUCTIONS

A cover above the switch folds down for insertion of a padlock to lock the saw off. A padlock with a maximum diameter of 1/4" (6.35 mm) and minimum clearance of 3" (76.2 mm) is recommended.

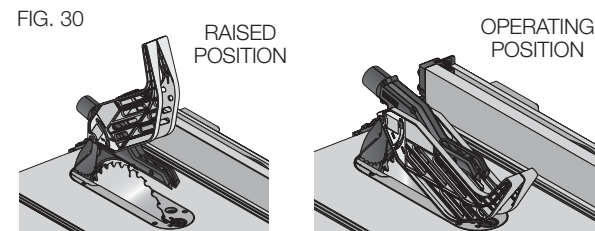
**Guard Operating Feature (Fig. 30)**

⚠ WARNING: To reduce the risk of injury, turn unit off and disconnect machine from power source before installing and removing accessories, before adjusting or changing set-ups or when making repairs. An accidental start-up can cause injury.

1. The guard(s) will lock in place when in the raised position.
2. This feature increases visibility when measuring the blade to fence distance.
3. Push down on guard(s) and they will release to the operating position.

NOTE: Pull on the anti-kickback assembly to ensure it is locked in place.

ALWAYS make sure both guards are in the down position in contact with the table before operating.

**Rip Fence Operation (Fig. 31–33)****RAIL LOCK LEVER (FIG. 32)**

The rail lock lever (E) locks the fence in place preventing movement during cutting. **To lock the rail lever**, push it down and toward the rear of the saw. **To unlock**, pull it up and toward the front of the saw.

NOTE: When ripping, always lock the rail lock lever.

WORK SUPPORT EXTENSION/NARROW RIPPING FENCE

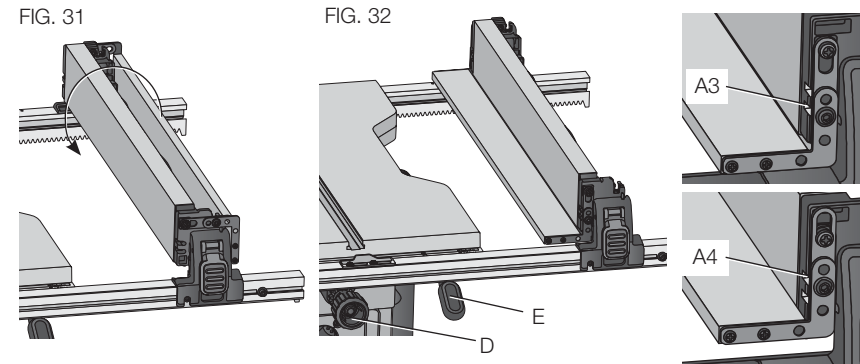
The table saw is equipped with a narrow ripping fence that also supports work that extends beyond the saw table.

To use the narrow ripping fence in the work support position, rotate it from its stored position as shown in Figure 31, and slide the pins into the lower sets of slots (A3) on both ends of the fence.

To use the narrow ripping fence in the narrow ripping position, snap the pins into the upper sets of slots (A4) on both ends of the fence.

This feature will allow 2" (51 mm) of extra clearance to the blade. Refer to figure 33 B. If more clearance is necessary, follow directions for making an auxiliary fence under **Narrow Rip Auxiliary Fence** in the **Operation** section.

NOTE: When not in use, the narrow ripping fence should be placed in its stored position.



NOTE: This fence will allow the guard to remain on the saw when completing narrow ripping. This fence will provide ample space for a push stick. If you prefer more clearance for push blocks or push sticks, refer to **Narrow Rip Auxiliary Fence**.

FINE ADJUSTMENT KNOB (FIG. 31)

The fine adjustment knob (D) allows smaller adjustments when setting the fence. Before adjusting, be sure the rail lock lever is in its up or unlocked position.

RIP SCALE POINTER

The rip scale pointer will need to be adjusted for proper performance of the rip fence if the user switches between thick and thin kerf blades. The rip scale pointer only reads correctly for position 1 (0 to 24.5"), however for position 1 with narrow rip fence in use add 2" (50 mm). See **Adjusting the Rip Scale** under **Assembly**.

Ripping (Fig. 33)

⚠ WARNING: Never touch the "free end" of the workpiece or a "free piece" that is cut off, while the power is ON and/or the saw blade is rotating. Piece may contact the blade resulting in a thrown workpiece and possible injury.

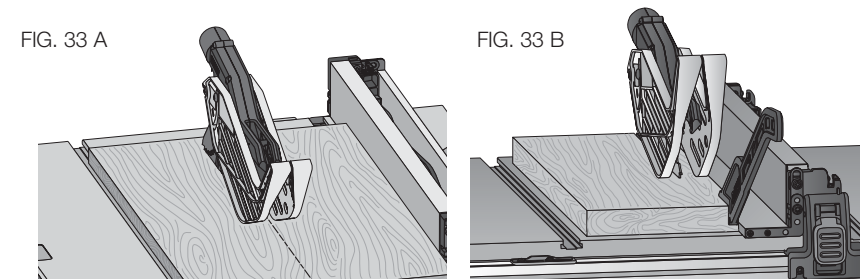
⚠ WARNING: A rip fence should **ALWAYS** be used for ripping operations to prevent loss of control and personal injury. **NEVER** perform a ripping operation freehand. **ALWAYS** lock the fence to the rail.

⚠ WARNING: When bevel ripping and whenever possible, place the fence on the side of the blade so that the blade is tilted away from the fence and hands.

⚠ WARNING: Keep hands clear of the blade.

⚠ WARNING: Use a push stick to feed the workpiece if there is 2–6" (51–152 mm) between the fence and the blade. Use a narrow ripping fence feature and push block to feed the workpiece if there is 2" (51 mm) or narrower between the fence and the blade.

1. Lock the rip fence by pressing the rail lock lever down. Remove the miter gauge.
2. Raise the blade so it is about 1/8" (3.2 mm) higher than the top of the workpiece.
3. Hold the workpiece flat on the table and against the fence. Keep the workpiece about 1" (25.4 mm) away from the blade.



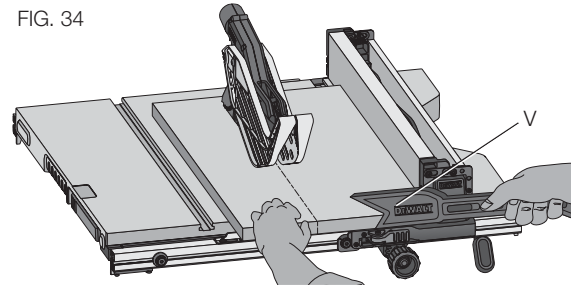
⚠ CAUTION: The workpiece must have a straight edge against the fence and must not be warped, twisted or bowed. Keep both hands away from the blade and away from the path of the blade. See proper hand position in Figure 33.

- Turn the saw on and allow the blade to come up to speed. Both hands can be used in starting the cut. When there is approximately 12" (305 mm) left to be ripped, use only one hand, with your thumb pushing the material, your index and second finger holding the material down and your other fingers hooked over the fence. Always keep your thumb along side your first two fingers and near the fence.
- Keeping the workpiece against the table and fence, slowly feed the workpiece rearward all the way through the saw blade. Continue pushing the workpiece until it is clear of the blade guard assembly and it falls off the rear of the table. Do not overload the motor.
- Never try to pull the workpiece back with the blade turning. Turn the switch off, allow the blade to stop, raise the anti-kickback teeth on each side of the riving knife if necessary and slide the workpiece out.
- When sawing a long piece of material or a panel, always use a work support. A sawhorse, rollers, or out feed assembly provides adequate support for this purpose. The work support must be at the same height or slightly lower than the saw table.

⚠ CAUTION: Never push or hold onto the free or cut-off side of the workpiece if it is between the blade and the fence.

Ripping Small Pieces (Fig. 34)

It is unsafe to rip small pieces. It is not safe to put your hands close to the blade. Instead, rip a larger piece to obtain the desired piece. When a small width is to be ripped and the hand cannot be safely put between the blade and the rip fence, use one or more push sticks. A pattern is included at the end of this manual to make push sticks. A push stick (V) is included with this saw, attached to the rip fence. Use the push stick(s) to hold the workpiece against the table and fence, and push the workpiece fully past the blade.

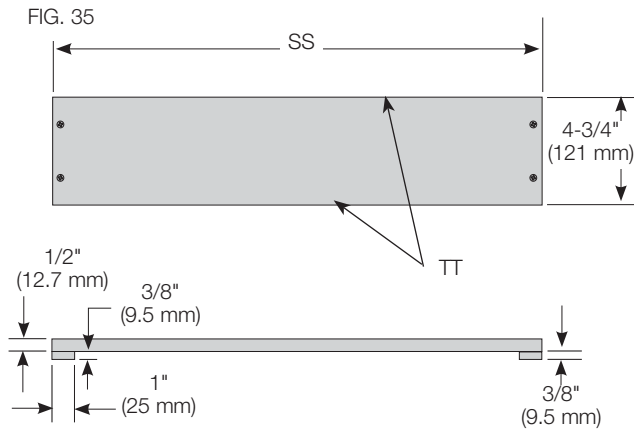


Narrow Rip Auxiliary Fence (Fig. 35, 36)

The narrow rip auxiliary fence should be used for a rip measuring 2" (51 mm) or narrower. This fence will allow the guard to remain on the saw when completing narrow ripping. This fence will provide ample space for proper use of a push block (TT, see **Push Block**).

- Follow the diagram in Fig. 35 to construct the narrow rip auxiliary fence (SS).

NOTE: The length should be cut to fit the length of the saw table top and sides (TT) must be parallel.



- After the narrow rip auxiliary fence is constructed, slip it over the saw table top and place it flush to the fence as shown in Figure 37.
- Feed the workpiece through until the edge of the material reaches the front edge of the saw table top.
- Continue feeding the material using the push block (UU) until the cut is complete.

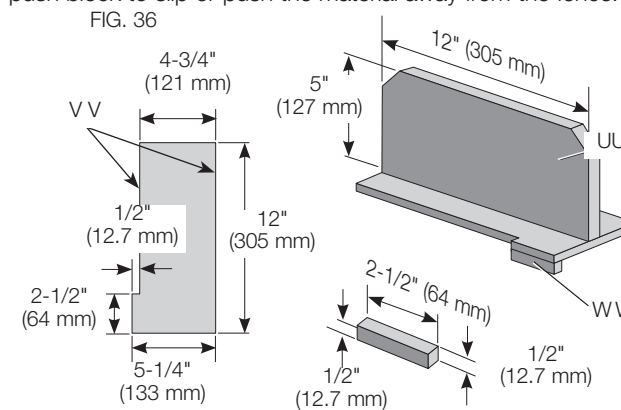
Push Block (Fig. 36, 37)

IMPORTANT: Only use the push block (UU) with the narrow rip auxiliary fence, refer to **Narrow Rip Auxiliary Fence**. The push block should be used once the material being cut reaches the saw table top.

- Construct a push block using the diagram in Figure 36.

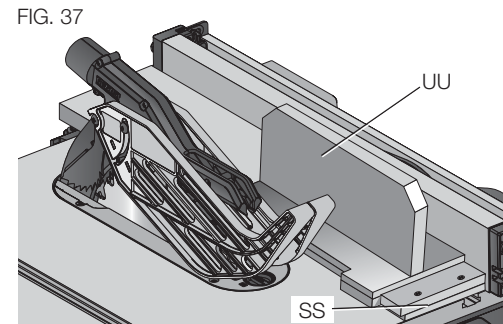
NOTE: Edges (V V) must be the same size.

IMPORTANT: The over hanging edge (V V, Fig. 36) MUST be square. An uneven lip could cause the push block to slip or push the material away from the fence.



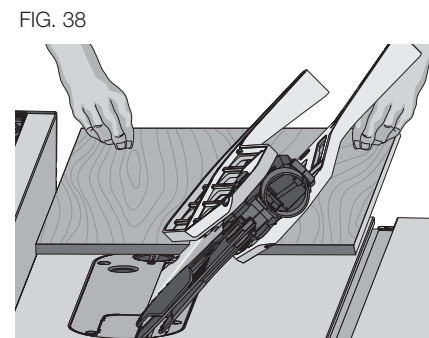
- Place the push block (UU, Fig. 37) behind the material and ensure the lip of the block is flush to the narrow rip auxiliary fence (SS).
- Once the push block is in place, continue feeding the material until the cut is complete making sure the push block remains flush to the narrow rip auxiliary fence at all times.

IMPORTANT: The narrow rip auxiliary fence and the over hanging edge (W W, Fig. 36) should both be the same thickness.



Bevel Ripping

This operation is the same as ripping except the bevel angle is set to an angle other than zero degrees. For proper hand position, Refer to figure 38.



⚠ WARNING: Before connecting the table saw to the power source or operating the saw, always inspect the blade guard assembly and riving knife for proper alignment and clearance with saw blade. Check alignment after each change of bevel angle.

Crosscutting

⚠ WARNING: NEVER touch the “free end” of the workpiece or a “free piece” that is cut off, while the power is ON and/or the saw blade is rotating. Piece may contact the blade resulting in a thrown workpiece and possible injury.

⚠ WARNING: To reduce the risk of injury, **NEVER** use the fence as a guide or length stop when crosscutting.

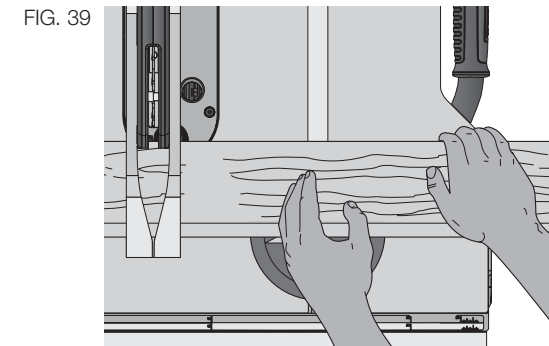
⚠ WARNING: NEVER use a length stop on the free end of the workpiece when crosscutting. In short, the cut-off piece in any thru-sawing (cutting completely through the workpiece) operation must never be confined — it must be allowed to move away from saw blade to prevent contact with blade resulting in a thrown workpiece and possibly injury.

⚠ WARNING: Use caution when starting the cut to prevent binding of the blade guard assembly against the workpiece resulting in damage to saw and possible injury.

⚠ CAUTION: When using a block as a cut-off gauge, the block must be at least 3/4" (19 mm) thick and is very important that the rear end of the block be positioned so the workpiece is clear of the block before it enters the blade to prevent contact with blade resulting in a thrown workpiece and possibly injury.

1. Remove the rip fence and place the miter gauge in the desired slot.

2. Adjust the blade height so that the blade is about 1/8" (3.2 mm) higher than the top of the workpiece.
3. Hold the workpiece firmly against the miter gauge with the path of the blade in line with the desired cut location. Keep the workpiece an inch or so in front of the blade. **KEEP BOTH HANDS AWAY FROM THE BLADE AND THE PATH OF THE BLADE** (Fig. 39).



4. Start the saw motor and allow the blade to come up to speed.
5. While using both hands to keep the workpiece against the face of the miter gauge, and holding the workpiece flat against the table, slowly push the workpiece through the blade.
6. Never try to pull the workpiece with the blade turning. Turn the switch off, allow the blade to stop, and carefully slide the workpiece out.

⚠ CAUTION: Never touch or hold onto the free or cut-off end of the workpiece.

Bevel Crosscutting

This operation is the same as crosscutting except that the bevel angle is set to an angle other than 0°.

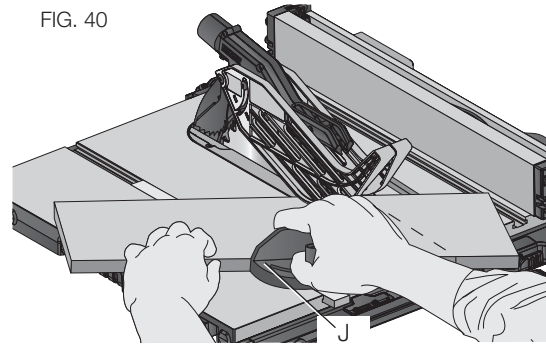
⚠ WARNING: Before connecting the table saw to the power source or operating the saw, always inspect the blade guard assembly and riving knife for proper alignment and clearance with saw blade. Check alignment after each change of bevel angle.

Mitering (Fig. 40)

⚠ WARNING: Miter angles greater than 45° may force the blade guard assembly into the saw blade causing damage to the blade guard assembly and personal injury. Before starting the motor, test the operation by feeding the workpiece into the blade guard assembly. If the blade guard assembly contacts the blade, place the workpiece under the blade guard assembly, not touching the blade, before starting the motor.

⚠ CAUTION: Certain workpiece shapes, such as molding may not lift the blade guard assembly properly. Feed the workpiece slowly to start the cut. If the blade guard assembly contacts the blade, place the workpiece under the blade guard assembly, not touching the blade, before starting the motor.

This operation is the same as crosscutting except the miter gauge is locked at an angle other than 0°. Hold the workpiece **FIRMLY** against the miter gauge (J) and feed the workpiece slowly into the blade (to prevent the workpiece from moving).



Miter Gauge Operation

To set your miter gauge:

1. Loosen the miter gauge lock handle.
2. Move the miter gauge to the desired angle.
3. Tighten the miter gauge lock handle.

COMPOUND MITERING

This is a combination of bevel crosscutting and mitering. Follow the instructions for both bevel crosscutting and mitering.

Dado Cutting

CAUTION: Do not attempt to stack dado blades thicker than 13/16" (20 mm). Do not use dado blades larger than 8" (200 mm) diameter.

Since dado cuts are not thru-cuts, the cuts must be performed with the blade guard assembly removed. To remove the blade guard assembly, pull riving knife/blade guard release lever and pull up on the guard or riving knife to remove.

When using the dado, the special dado insert (also sold as an accessory) must be used.

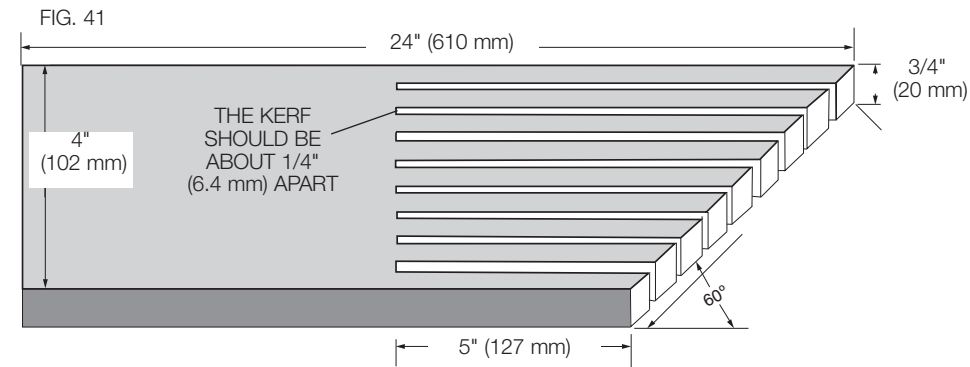
Anytime a cut is required that is considerably wider than the saw kerf, a dado is used. A dado cut is commonly used to add support and line up a shelf for a cabinet, bookcase or some such project. **When using the dado, the blade guard assembly must be removed. Use EXTREME care when using the dado without the blade guard assembly and riving knife.** If a deep cut is required, use several successive passes rather than attempting to make it with one pass. Maximum dado width on this saw is 13/16" (20 mm). DO NOT USE WIDER COMBINATIONS.

CAUTION: Always check dado blade clearance before plugging in the saw.

Be sure to place the blade guard assembly and standard throat plate back in position and check adjustments when the dado cuts are complete. Reinstall blade guard assembly, anti-kickback assembly and riving knife.

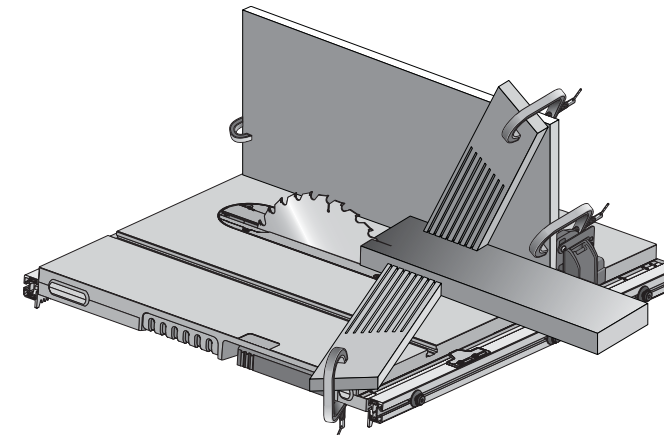
Featherboard Construction (Fig. 41, 42)

Featherboards are used to keep the work in contact with the fence and table, and help prevent kickbacks. Dimensions for making a typical featherboard are shown in Figure 41. Make the featherboard from a straight piece of wood that is free of knots and cracks. Clamp the featherboard to the fence and table so that the leading edge of the featherboard will support the workpiece until the cut is complete (Fig. 42). An 8" (203 mm) high flat board can be clamped to the rip fence and the featherboard can be clamped to the 8" (203 mm) high board.



WARNING: Use featherboards for all non thru-sawing operations where the blade guard assembly, anti-kickback assembly and riving knife cannot be used. **Always replace the blade guard assembly, anti-kickback assembly and riving knife when the non thru-sawing operation is complete.** Make sure the featherboard presses only on the portion of the workpiece in front of the blade.

FIG. 42

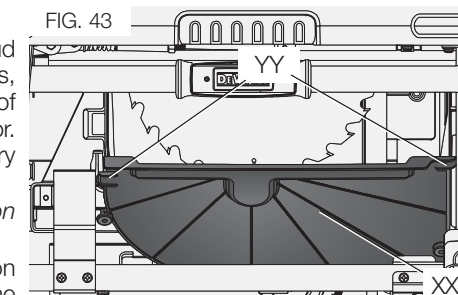


Dust Collection (Fig. 43)

This table saw is equipped with a dustshroud and dust collection port. For best results, connect a vacuum to the port at the rear of the saw and on the guard using a Y connector. The Y connector is available as an accessory at additional cost. Refer to **Accessories**.

NOTICE: Care should be taken to position hoses to not interfere with cutting operation. After extended use, the saw's dust collection system may become clogged. To clear the dust collection system:

1. Unplug the saw.
2. Turn the saw on its side, so the bottom, open part of the unit is accessible.
3. Open the dust access door (XX) shown in Figure 43 by pressing the the side clips (YY). Clean out the excess dust, and re-secure by pushing the side clips completely into place.



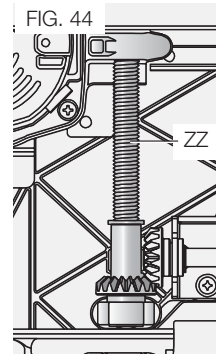
Motor Overload and Power Loss Reset Switch

If power is interrupted by a circuit breaker trip, or power is lost, the saw contains a power loss reset switch feature that will automatically reset to OFF position.

Circuit breaker overload is often the result of a dull blade. Change your blade on a regular basis to avoid tripping your breaker. Disconnect the saw from power source and check your blade before re-setting the circuit breaker and continuing to saw.

Lubrication (Fig. 44)

- All motor bearings are permanently lubricated at the factory and no additional lubrication is needed.
- The height adjustment screw may require periodic cleaning and lubrication. If you have difficulty raising or lowering the blade:
 - Unplug the saw.
 - Turn the saw on its side, so the bottom, open part of the unit is accessible.
 - Clean and lubricate the height adjustment screw threads (ZZ) on the underside of this saw with general purpose grease. Refer to Figure 44.



STORAGE (Fig. 45-50)

- Attach push stick (V) to fence.
- Remove blade guard assembly (K). Refer to **Remove Blade Guard Assembly**. Slide blade guard assembly into holder as shown, then turn lever counterclockwise to lock.
- Depress the stem on the anti-kickback assembly (N) to allow the assembly to slide from the riving knife slot.
- Position anti-kickback assembly into the storage hole as shown. While depressing stem (II) slide the anti-kickback assembly across the storage bracket (A1) and release pin to lock into place.
- Slide blade wrenches (U) into pocket until yellow button aligns with hole to secure in place, refer to Figure 47.
- Insert guide bar of miter guage (J) into pocket, then pivot and snap in place (Fig. 45).
- Wrap cord in this location (A2, Fig. 46).
- Non thru-sawing riving knife (W) slides in place underneath the saw, below the cord wrap. Refer to Figure 50.
- To store fence (K), snap work support in stored position. Remove fence from rails. Reattach fence upside down on left side of saw. Refer to Figure 46. **DO NOT** hook locator pins on left side fence locator screws. These screws will align with clearance pocket on fence as shown. Pivot fence lock latches to secure.

MAINTENANCE

⚠ WARNING: To reduce the risk of injury, turn unit off and disconnect machine from power source before installing and removing accessories, before adjusting or changing set-ups or when making repairs. An accidental start-up can cause injury.

Cleaning

⚠ WARNING: Blowing dust and chips out of the motor housing using clean, dry compressed air is a necessary regular maintenance procedure. Dust and chips containing metal particles often accumulate on interior surfaces and could create an electrical shock or electrocution if not frequently cleaned out. ALWAYS WEAR SAFETY GLASSES.

⚠ CAUTION: When cleaning, use only a damp cloth on plastic parts. Many household cleaners contain chemicals which could seriously damage plastic. Also, do not use gasoline, turpentine, lacquer or paint thinner, dry cleaning fluids or similar products which may seriously damage plastic parts. Never let any liquid get inside the tool; never immerse any part of the tool into a liquid.

FIG. 45

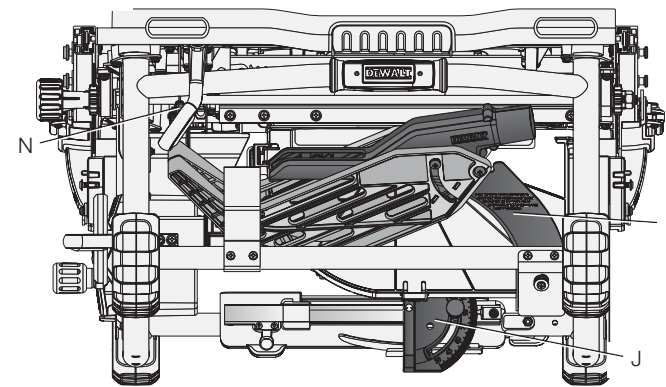


FIG. 46

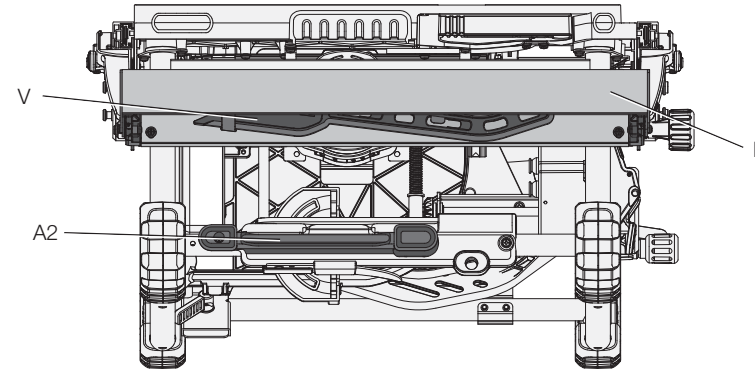


FIG. 47

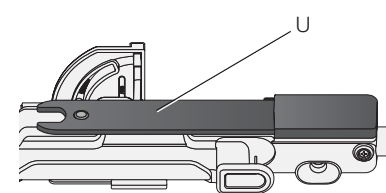


FIG. 49

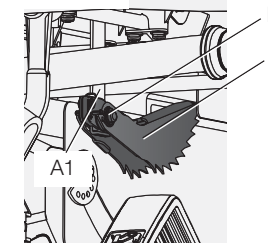


FIG. 48

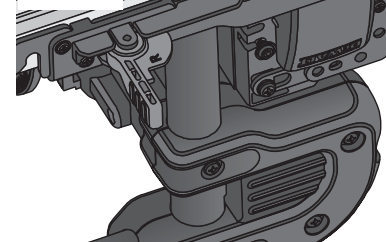
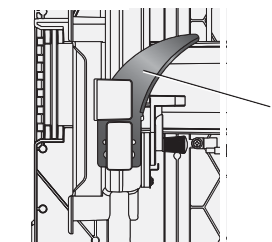


FIG. 50



Accessories

⚠ WARNING: Since accessories, other than those offered by DeWALT, have not been tested with this product, use of such accessories with this tool could be hazardous. To reduce the risk of injury, only DeWALT recommended accessories should be used with this product.

Recommended accessories, such as a metric rip scale, for use with your tool are available at extra cost from your local dealer or authorized service center. If you need assistance in locating any accessory, please contact DeWALT Industrial Tool Co., 701 East Joppa Road, Baltimore, MD 21286, call 1-800-4-DeWALT (1-800-433-9258) or visit our website: www.dewalt.com.

Repairs

To assure product SAFETY and RELIABILITY, repairs, maintenance and adjustment (including brush inspection and replacement) should be performed by a DeWALT factory service center, a DeWALT authorized service center or other qualified service personnel. Always use identical replacement parts.

Register Online

Thank you for your purchase. Register your product now for:

- **WARRANTY SERVICE:** Registering your product will help you obtain more efficient warranty service in case there is a problem with your product.
- **CONFIRMATION OF OWNERSHIP:** In case of an insurance loss, such as fire, flood or theft, your registration of ownership will serve as your proof of purchase.
- **FOR YOUR SAFETY:** Registering your product will allow us to contact you in the unlikely event a safety notification is required under the Federal Consumer Safety Act.

Register online at www.dewalt.com/register.

Three Year Limited Warranty

DeWALT will repair, without charge, any defects due to faulty materials or workmanship for three years from the date of purchase. This warranty does not cover part failure due to normal wear or tool abuse. For further detail of warranty coverage and warranty repair information, visit www.dewalt.com or call 1-800-4-DeWALT (1-800-433-9258). This warranty does not apply to accessories or damage caused where repairs have been made or attempted by others. This warranty gives you specific legal rights and you may have other rights which vary in certain states or provinces.

In addition to the warranty, DeWALT tools are covered by our:

1 YEAR FREE SERVICE

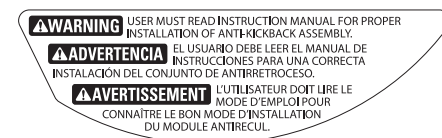
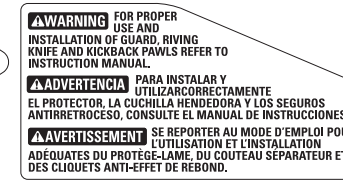
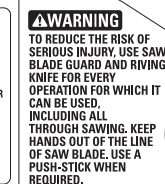
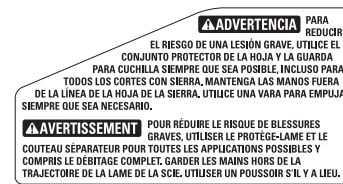
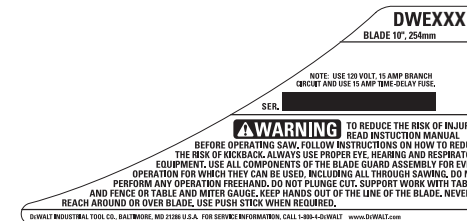
DeWALT will maintain the tool and replace worn parts caused by normal use, for free, any time during the first year after purchase.

90 DAY MONEY BACK GUARANTEE

If you are not completely satisfied with the performance of your DeWALT Power Tool, Laser, or Nailer for any reason, you can return it within 90 days from the date of purchase with a receipt for a full refund – no questions asked.

LATIN AMERICA: This warranty does not apply to products sold in Latin America. For products sold in Latin America, see country specific warranty information contained in the packaging, call the local company or see website for warranty information.

FREE WARNING LABEL REPLACEMENT: If your warning labels become illegible or are missing, call 1-800-4-DeWALT (1-800-433-9258) for a free replacement.



English

Définitions : lignes directrices en matière de sécurité

Les définitions ci-dessous décrivent le niveau de danger pour chaque mot-indicateur employé. Lire le mode d'emploi et porter une attention particulière à ces symboles.

▲ DANGER : indique une situation dangereuse imminente qui, si elle n'est pas évitée, entraînera la mort ou des blessures graves.

▲ AVERTISSEMENT : indique une situation potentiellement dangereuse qui, si elle n'est pas évitée, pourrait entraîner la mort ou des blessures graves.

▲ ATTENTION : indique une situation potentiellement dangereuse qui, si elle n'est pas évitée, pourrait entraîner des blessures légères ou modérées.

AVIS : indique une pratique ne posant aucun risque de dommages corporels mais qui par contre, si rien n'est fait pour l'éviter, pourrait poser des risques de dommages matériels.

POUR TOUT COMMENTAIRE OU QUESTION RELATIF À CET OUTIL OU TOUT AUTRE OUTIL DEWALT, COMPOSEZ GRATUITEMENT LE : **1-800-4-DEWALT (1-800-433-9258)**.



AVERTISSEMENT : afin de réduire le risque de blessures, lire le mode d'emploi de l'outil.

Règles de sécurité – Généralités


▲ AVERTISSEMENT : lire ces directives avant toute utilisation. Tout manquement aux directives suivantes pose des risques de choc électrique, d'incendie et/ou de blessure grave.

CONSERVER CES CONSIGNES

▲ AVERTISSEMENT : SE CONFORMER AUX NORMES DU CODE EN MATIÈRE DE CÂBLAGE et connexions électriques pour prévenir tout risque de décharge électrique ou d'électrocution.

Double isolation

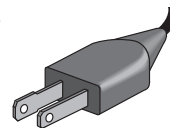
Si la scie a été conçue d'usine avec une double isolation, lire les consignes suivantes.

Ce symbole  atteste d'une fabrication à double isolation. Afin de protéger l'utilisateur contre les décharges électriques, les outils à double isolation sont complètement recouverts de deux couches distinctes d'isolant électrique ou d'une double épaisseur de matière isolante. Les outils possédant ce type d'isolation ne sont pas destinés à être mis à la terre. Par conséquent, ils sont munis d'une fiche à deux broches permettant d'utiliser une rallonge ne nécessitant aucune prise à la terre. Réparer ou remplacer immédiatement tout cordon endommagé ou usé.

REMARQUE : le fait que cet outil soit muni d'une double isolation ne signifie pas que l'utilisateur peut cesser de respecter les consignes de sécurité qui s'imposent. L'isolation offre une protection supplémentaire contre les blessures causées par toute défaillance électrique des systèmes d'isolation internes.

FICHES POLARISÉES

Pour réduire tout risque de choc électrique, cet outil est muni d'une fiche polarisée (l'une des lames est plus large que l'autre), laquelle ne peut être raccordée qu'à une prise polarisée et ce, dans un seul sens. Si la fiche ne rentrait pas complètement dans la prise, inverser le sens de la fiche. Si la fiche ne s'adapte toujours pas, faire appel à un électricien qualifié pour qu'il installe la prise appropriée. Ne jamais modifier la fiche en aucune façon.



Consignes de sécurité importantes

- **POUR RÉDUIRE TOUT RISQUE DE DOMMAGES CORPORELS,** utiliser systématiquement l'ensemble des composants du dispositif de protection (dispositif de carter de lame, couteau diviseur et dispositif anti-rebonds) au cours des opérations pour lesquelles ils ont été conçus, et ce, pendant toute la durée de coupe.
- **RETIRER TOUTE CLÉ ET TOUT OUTIL DE RÉGLAGE.** Vérifier systématiquement que toute clé ou outil de réglage a été retiré de la broche avant de mettre l'outil en marche. Outils, chutes, ou autres débris pourraient être projetés brusquement, et causer des dommages corporels.
- **MAINTENIR L'AIRE DE TRAVAIL PROPRE.** Les établis et locaux encombrés sont propices aux accidents.
- **NE PAS UTILISER LA MACHINE DANS UN ENVIRONNEMENT DANGEREUX.** Ne pas utiliser d'outils électriques dans des endroits trempés ou humides, ou sous la pluie, pour éviter tout risque de décharge électrique ou d'électrocution. Maintenir l'atelier bien éclairé pour éviter les chutes ou la mise en danger des bras, mains ou doigts.
- **MAINTENIR LES ENFANTS À L'ÉCART.** Pour leur sécurité, maintenir les visiteurs à l'écart de l'espace de travail. Votre atelier est un environnement potentiellement dangereux.
- **PROTÉGER L'ATELIER À L'AIDE DE DISPOSITIFS À L'ÉPREUVE DES ENFANTS** tels cadenas et interrupteurs principaux, ou en retirant toute clé de démarrage. Le démarrage non autorisé d'une machine par un enfant ou un visiteur comporte des risques de dommages corporels.
- **NE PAS FORCER L'OUTIL.** Il effectuera un meilleur travail, à un degré de sécurité plus élevé, à la vitesse pour laquelle il a été conçu.
- **UTILISER L'OUTIL ADÉQUAT.** Ne pas forcer l'outil, ou un accessoire, pour effectuer un travail pour lequel il n'a pas été conçu. Le fait d'utiliser un outil ou accessoire inadéquat comporte des risques de dommages corporels.
- **NE PAS EFFECTUER DE TRAVAUX HORS DE PORTÉE.** Les pieds doivent rester bien ancrés au sol pour permettre de maintenir son équilibre en permanence. Perdre l'équilibre pourrait occasionner des dommages corporels. Ne pas tenter d'éliminer des matériaux à proximité de la lame de la scie de table alors qu'elle tourne.
- **PRENDRE SOIN DE SES OUTILS.** Conserver les lames bien affûtées et propres pour des performances optimales et un maximum de sécurité. Suivre toute instruction relative à la lubrification et au changement d'accessoire. L'utilisation de lames ou machines pauvrement entretenues comporte des risques de dommages matériels et/ou corporels.
- **UTILISER UNE RALLONGE ADÉQUATE.** S'assurer que la rallonge est en bon état. S'assurer que les valeurs nominales de la rallonge utilisée correspondent bien à celle de l'outil alimenté. L'usage d'une rallonge de calibre insuffisant causera une chute de tension qui entraînera perte de puissance et surchauffe. Le tableau ci-dessous illustre les calibres à utiliser selon la longueur de rallonge et l'intensité nominale indiquée sur la plaque signalétique. En cas de doute, utiliser le calibre suivant. Plus le calibre est petit, plus la rallonge peut supporter de courant.

Calibres minimaux des rallonges					
Intensité (en ampères)	Longueur totale de cordon en mètres (pieds)				
	volts	7,6 (25)	15,2 (50)	30,5 (100)	45,7 (150)
	120 V	7,6 (25)	15,2 (50)	30,5 (100)	45,7 (150)
	240 V	15,2 (50)	30,5 (100)	61,0 (200)	91,4 (300)
Supérieur à	Inférieur à	AWG			
0	6	18	16	16	14
6	10	18	16	14	12
10	12	16	16	14	12
12	16	14	12	Non recommandé	

- **PORTER LES VÊTEMENTS APPROPRIÉS.** Éviter vêtements amples, gants, cravates, bagues, bracelets ou autres bijoux qui pourraient se prendre dans les pièces mobiles. Il est recommandé de porter des chaussures antidérapantes. Couvrir ou attacher les cheveux longs.
- **PORTER SYSTÉMATIQUEMENT DES LUNETTES DE PROTECTION.** Utiliser aussi un masque antipoussières si la découpe doit en produire beaucoup. Les lunettes ordinaires ne peuvent que protéger contre les impacts, et ne sont pas des lunettes de protection.
- **ARRIMER LA PIÈCE À TRAVAILLER.** Utiliser des colliers de serrage pour maintenir le travail lorsque c'est utile (particulièrement avec un espacement nul de plaquette de renfort/plaque de lumière). C'est plus sûr que de le faire manuellement et cela laisse les mains libres pour utiliser l'outil.
- **ARRÊTER LA MACHINE ET LA DÉBRANCHER DU SECTEUR** avant d'installer ou retirer tout accessoire, avant tout réglage ou changement de configuration, et avant toute réparation ou changement d'emplacement. Ne pas toucher les broches métalliques lors du branchement ou débranchement du cordon. Tout démarrage accidentel comporte des risques de dommages corporels.
- **RÉDUIRE TOUT RISQUE DE DÉMARRAGE ACCIDENTEL.** S'assurer que l'interrupteur est en position « ARRÊT » avant de brancher l'appareil. En cas de panne de secteur, mettre l'interrupteur en position « ARRÊT ». Tout démarrage accidentel comporte des risques de dommages corporels.
- Ne pas brancher, débrancher l'outil du secteur avec les mains humides.
- **UTILISER LES ACCESSOIRES RECOMMANDÉS.** N'utiliser que des accessoires recommandés par le fabricant de votre modèle particulier. Les accessoires convenant à un modèle d'outil peuvent être dangereux lorsqu'utilisés avec un autre. Consulter le manuel de l'utilisateur pour connaître les accessoires recommandés. L'utilisation d'accessoires inadéquats comporte des risques de dommages corporels.
- Les accessoires magnétiques ne fonctionneront pas avec cette scie.
- **NE JAMAIS MONTER OU S'ASSEOIR SUR L'OUTIL.** De sérieux dommages corporels pourraient en résulter si l'outil basculait ou en cas de contact involontaire avec l'organe de coupe.
- **VÉRIFIER L'ÉTAT DES PIÈCES.** Avant toute nouvelle utilisation de l'outil, tout dispositif de protection, ou autre pièce, endommagé doit être vérifié soigneusement pour déterminer s'il fonctionnera correctement et remplira la fonction pour laquelle il a été conçu. Vérifier les pièces mobiles afin de s'assurer qu'elles sont bien alignées et qu'elles ne restent pas coincées ; vérifier également les pièces pour s'assurer qu'il n'y a aucune cassure ou toute autre condition susceptible de nuire au bon fonctionnement de l'outil. Tout dispositif de protection, ou autre pièce, endommagé doit être réparé correctement ou remplacé. Ne pas utiliser un outil dont l'interrupteur est défectueux. Toute pièce endommagée comporte des risques de dommages matériels supplémentaires et/ou corporels.
- **DIRECTION DE L'ALIMENTATION.** Alimenter la pièce à travailler vers la lame, ou l'organe de coupe, uniquement dans la direction inverse de rotation de ces derniers. Les coupes à gorge ou à main levée sont interdites.
- Laisser un espace de sortie suffisant à l'arrière de la scie pour assurer que le matériau ne reste pas bloqué lors de la coupe. Des tables de support d'ouvrage devraient être placées aux endroits utiles pour soutenir pleinement le matériau.
- **NE JAMAIS LAISSER L'OUTIL FONCTIONNER SANS SUPERVISION. ARRÊTER SYSTÉMATIQUEMENT L'OUTIL.** Attendre l'arrêt complet de l'outil avant de le laisser pour éviter tout risque de blessure grave.
- **NE PAS UTILISER UN OUTIL ÉLECTRIQUE EN PRÉSENCE DE LIQUIDE OU GAZ INFLAMMABLE OU EN MILIEU DÉFLAGRANT.** Le moteur et les interrupteurs de ces outils pourraient provoquer des étincelles et un incendie.

- **RESTER PRUDENT. RESTER VIGILANT. FAIRE PREUVE DE BON SENS. NE PAS UTILISER LA MACHINE EN CAS DE FATIGUE OU SOUS L'INFLUENCE DE DROGUES, D'ALCOOL OU DE MÉDICAMENTS.** Tout moment d'inattention pendant l'utilisation d'un outil électrique comporte des risques de blessure grave.
- **NE PAS LAISSER LA FAMILIARITÉ AVEC L'OUTIL (gagnée par l'utilisation fréquente de la scie) REMPLACER LES CONSIGNES DE SÉCURITÉ.** Se rappeler qu'il suffit d'une fraction de seconde d'inattention pour causer des dommages corporels sérieux. Prendre des précautions supplémentaires et rester alerte lors de coupes répétitives. Arrêter la scie fréquemment pour éliminer la poussière et vérifier les réglages pour réduire la monotonie.

Règles de sécurité additionnelles relatives aux bancs de scie circulaire

- **ÉVITER LES POSITIONS INSTABLES** qui pourraient provoquer une chute soudaine et entraîner un contact de la lame avec la main.
- Ne tentez pas de récupérer les matériaux à proximité de la lame sur l'établi de sciage lorsque la lame tourne.
- **NE JAMAIS UTILISER LA MAIN** pour maintenir la pièce de travail, que ce soit derrière ou autour de l'organe de coupe.
- **ÉLOIGNER LES BRAS, MAINS ET DOIGTS** de la lame pour prévenir tout dommage corporel grave.
- **UTILISER UN POUSSOIR DE FIN DE PASSE APPROPRIÉ À L'APPLICATION EN COURS POUR POUSSER LA PIÈCE VERS LA SCIE.** Un poussoir de fin de passe est un morceau de bois ou de plastique, souvent fait maison, qui devrait être utilisé chaque fois que la taille ou la forme de la pièce à travailler obligerait les mains de s'approcher à moins de 152 mm (6 po) de la lame.
- **UTILISER SUPPORTS, DISPOSITIFS DE FIXATION OU PEIGNES POUR GUIDER ET CONTRÔLER LA PIÈCE À MACHINER.** Les accessoires recommandés pour cet outil sont vendus séparément chez les distributeurs locaux ou dans les centres de réparation agréés. Des instructions pour créer poussoir de fin de passe, guide longitudinal auxiliaire étroit, bloc-poussoir et peignes sont incluses dans ce manuel.
- **N'EFFECTUER AUCUNE COUPE LONGITUDINALE, TRANSVERSALE OU TOUTE AUTRE OPÉRATION À MAIN LEVÉE.**
- **NE JAMAIS** envoyer les mains derrière ou au-dessus de la lame.
- **STABILITÉ** S'assurer que le banc de scie circulaire est fermement arrimé à une surface stable et complètement immobilisé avant toute utilisation.
- **NE JAMAIS DÉCOUPER DE MÉTAUX, CIMENT OU MAÇONNERIE.** Certains matériaux synthétiques doivent être découpés avec des bancs de scie circulaire en suivant des instructions particulières. Suivre systématiquement les recommandations du fabricant pour prévenir tout risque de dommages corporels et matériels.
- **UNE PLAQUE DE LUMIÈRE APPROPRIÉE DOIT ÊTRE SYSTÉMATIQUEMENT INSTALLÉE ET VERROUILLÉE** pour réduire tout risque d'éjection de pièce et de dommages corporels.
- **UTILISER UNE LAME DE SCIE CONÇUE SPÉCIALEMENT POUR L'OPÉRATION DÉSIRÉE.** La rotation de la lame doit se faire vers l'avant de la scie. Serrer fermement l'écrou d'arbre de lame. Avant toute utilisation, vérifier que la lame ne comporte aucune fente ou dents manquantes. Ne pas utiliser de lame endommagée ou émoussée.
- **NE JAMAIS TENTER DE LIBÉRER UNE LAME BLOQUÉE SANS ARRÊTER LA MACHINE ET DÉBRANCHER LA SCIE DU SECTEUR.** Si une pièce ou un rebus reste coincé dans le dispositif du carter de lame, arrêter la scie, et attendre l'arrêt complet de la lame, avant de soulever le dispositif de carter de lame et retirer la pièce coincée.

- **NE JAMAIS REMETTRE LA MACHINE EN MARCHÉ** quand la pièce à machiner se trouve contre la lame, et ce, pour réduire tout risque d'expulsion de la pièce et de dommages corporels.
- **NE JAMAIS LAISSER AUCUNE PARTIE DU CORPS ENTRER DANS LE SILLAGE DE LA LAME.** Il y a risques de dommages corporels. Se placer d'un côté ou de l'autre de la lame.
- **NE JAMAIS EFFECTUER DE MISE EN PLACE, MONTAGE OU CONFIGURATION** sur l'établi/espace de travail alors que la machine fonctionne. Une chute soudaine pourrait provoquer un contact involontaire de la lame avec les mains. Il y a risque de dommages corporels graves.
- **NETTOYER L'ÉTABLI/L'ESPACE DE TRAVAIL AVANT DE LAISSER LA MACHINE.** Verrouiller l'interrupteur en position d'ARRÊT puis débrancher la scie du secteur pour prévenir toute utilisation illicite.
- Verrouiller **SYSTÉMATIQUEMENT** le guide ou le réglage de biseau avant toute coupe
- **NE PAS laisser une longue planche (ou toute autre pièce similaire) non soutenue car l'effet de ressort de la planche pourrait la faire glisser de la table et causer perte de contrôle du matériel et dommages corporels.** Fournir un support adéquat à la pièce à machiner compte tenu de sa taille et du type d'opération à effectuer. Maintenir fermement la pièce à machiner contre le guide et à plat sur la surface de la table.
- **SI LA SCIE** fait un bruit inhabituel ou vibre excessivement, arrêter aussitôt toute opération, arrêter l'outil, le débrancher du secteur jusqu'à ce que le problème ait été identifié et corrigé. Si le problème persiste, contacter un centre de réparation d'usine DEWALT, un centre de réparation agréé DEWALT ou tout autre personnel de réparation qualifié.
- **NE PAS UTILISER CETTE MACHINE** tant qu'elle n'est pas complètement assemblée et installée suivant les instructions données. Une machine incorrectement assemblée pose des risques de dommages corporels graves.
- **NE JAMAIS** tenter de couper une pile de pièces de matériau non fixées qui pourraient causer une perte de contrôle ou un rebond. Soutenir tous les matériaux de manière adéquate.
- **DES INFORMATIONS COMPLÉMENTAIRES** sur la sécurité et l'utilisation correcte des outils électriques (ex. : vidéo sécurité) sont à votre disposition chez Power Tool Institute (l'Institut des outils électriques) 1300 Sumner Avenue, Cleveland, OH 44115-2851 (www.powertoolinstitute.com). Des informations sont aussi à votre disposition auprès du National Safety Council (Conseil National de la Sécurité), 1121 Spring Lake Drive, Itasca, IL 60143-3201. Se reporter à la réglementation OSHA 1910.213 du Département du Travail Américain.

TERMINOLOGIE : LA TERMINOLOGIE SUIVANTE SERA UTILISÉE DANS CE MANUEL ET NOUS VOUS RECOMMANDONS DE VOUS FAMILIARISER AVEC SES TERMES.

- **Coupe intégrale** : la pièce à machiner est découpée de bout en bout.
- **Coupe partielle** : la pièce à machiner est découpée en partie.
- **Poussoir de fin de passe** : un morceau de bois ou de plastique, fait maison en général, et utilisé pour pousser une petite pièce vers la scie tout en protégeant les mains de l'utilisateur de la lame.
- **Rebonds** : ils se produisent lorsque la lame de la scie reste coincée dans la ligne de coupe et repousse violemment la pièce à machiner vers l'utilisateur.
- **À main levée** : une coupe sans l'utilisation d'un guide d'onglet ou d'un guide longitudinal ou de tout autre moyen de guider ou maintenir la pièce à travailler autre que les mains de l'utilisateur.
- **⚠ AVERTISSEMENT** : ne jamais effectuer de coupe à main levée.

- **Une coupe en plongée** est représentée par toute coupe où la pièce à travailler est soit abaissée sur la lame alors que la pièce est contrôlée manuellement par l'utilisateur soit la pièce est soutenue manuellement par l'utilisateur sur la surface de table et la lame élevée au travers de la pièce.
- **⚠ AVERTISSEMENT** : ne jamais effectuer de coupe en plongée avec cette scie.
- **Coupe double** - Inverser le matériau pour le recouper lorsque la scie est incapable de le faire en une seule passe.
- **⚠ AVERTISSEMENT** : il n'est PAS recommandé de faire des coupes doubles.
- **Sortie** - L'espace à l'arrière de la scie doit permettre au matériau de sortir complètement de la coupe.

DISPOSITIF DE CARTER DE LAME, DISPOSITIF ANTI-REBONDS ET COUTEAU DIVISEUR

Votre scie de table est équipée d'un dispositif de carter de lame et d'un dispositif anti-rebonds pour couvrir la lame et réduire les risques de contact accidentel avec la lame. Un couteau diviseur prévu pour les coupes non intégrales a aussi été pourvu pour ces coupes. Le couteau diviseur et le couteau séparateur sont des plaquettes qui rentrent dans la ligne de coupe faite par la lame et combattent efficacement les rebonds en réduisant la tendance de la lame à rester coincée dans la coupe. **Les dispositifs de carter de lame et anti-rebonds peuvent être utilisés uniquement pour faire des coupes intégrales, coupant le bois de bout en bout. Pour effectuer des feuillures ou autres coupes non intégrales, le dispositif de carter de lame et le dispositif anti-rebonds doivent être retirés pour installer le couteau diviseur pour coupes non intégrales pourvu à cet effet.** Deux taquets anti-rebonds sont situés de chaque côté du couteau diviseur. Ils permettent au bois de passer au-travers de la lame dans la direction de coupe mais réduisent toute possibilité de rejet arrière du matériau vers l'utilisateur.

Utiliser systématiquement l'ensemble des composants du dispositif de protection (dispositifs de carter de lame et anti-rebonds, couteau diviseur) pour effectuer les opérations pour lesquelles ils ont été conçus, et pendant toute la durée de coupe. Si l'on choisit de ne pas utiliser l'un de ces composants pour une application particulière, prendre des précautions supplémentaires pour garder le contrôle de la pièce. Prendre en considération : l'utilisation de poussoirs de fin de passe, la position des mains par rapport à la lame, l'utilisation de lunettes de protection, tout autre moyen pour éviter les rebonds, et tout autre avertissement inclus dans ce manuel et sur la scie elle-même. **Réinstaller les systèmes de protection dès que l'on recommence à faire des coupes intégrales.** Maintenir les dispositifs de protection en bon état de marche.

CRÉATION D'UN POUSSOIR DE FIN DE PASSE (Troisième de couverture)

- Pour utiliser la scie de table en toute sécurité, il est recommandé d'utiliser un poussoir de fin de passe chaque fois que la taille ou la forme de la pièce à travailler oblige les mains de s'approcher à moins de 152 mm (6 po) de la lame. Un poussoir de fin de passe est inclus avec cette scie.
- Pour faire d'autres poussoirs de fin de passe, aucun bois particulier n'est requis, tant qu'il sera assez solide et assez long. Il est recommandé de lui donner une longueur de 400 mm (15,7 po) avec une encoche qui s'encastre dans le bord de la pièce à travailler pour éviter qu'elle ne glisse. Il est bon d'avoir plusieurs poussoirs de fin de passe de la même longueur, 400 mm (15,7 po), avec des tailles d'encoches différentes pour les ajuster à l'épaisseur de la pièce.
- Se reporter à la photo d'un poussoir de fin de passe en troisième de couverture. La forme peut varier selon vos besoins tant que celui-ci remplira sa fonction de protéger vos mains de la lame.

REBONDS

Les rebonds peuvent causer des dommages corporels graves. Un rebond se produit lorsqu'une portion de la pièce à machiner reste coincée entre la lame et le guide longitudinal, ou tout autre objet fixe, et projette la pièce hors de la table vers l'utilisateur. Les rebonds peuvent être évités en prenant les mesures suivantes.

Comment les éviter et vous protéger de dommages corporels possibles

- Utiliser un carter de lame avec un couteau séparateur ou un couteau diviseur chaque fois que possible.
- S'assurer que le guide longitudinal est bien parallèle à la lame.
- Ne pas découper longitudinalement en appliquant la force d'avance à la section de la pièce à travailler qui est destinée à devenir la chute. Pour une coupe longitudinale, la force d'avance doit systématiquement être appliquée entre la lame et le guide. Utiliser un bâtonnet pour pousser les pièces étroites de 152 mm (6 po) de large ou moins.
- Maintenir en place, et en bon état de marche, les dispositifs de carter de lame, de rebonds et le couteau diviseur. Si le dispositif anti-rebonds n'est pas opérationnel, rapporter votre appareil dans le centre de réparation DEWALT le plus proche. Le couteau séparateur ou le couteau diviseur doivent être alignés avec la lame de scie et le dispositif anti-rebonds doit pouvoir arrêter les rebonds dès le début. Vérifier leur fonctionnement avant de faire des coupes longitudinales en poussant le bois sous le dispositif anti-rebonds. Les dents doivent empêcher le bois d'être attiré vers l'avant de la scie.
- Les plastiques et matériaux composites (comme les planchers lamellaires) peuvent être découpés avec la scie. Cependant, comme ils sont généralement plutôt durs et glissants, il se peut que les taquets anti-rebonds ne puissent pas prévenir les rebonds. Aussi, faire preuve d'une prudence extrême au niveau de la configuration et des procédures lors de leur coupe longitudinale.
- Utiliser les dispositifs de carter de lame et anti-rebonds et le couteau diviseur pour chaque opération pour laquelle ils peuvent être utilisés, y compris toutes les coupes intégrales.
- Pousser la pièce au-delà de la lame de scie avant de la relâcher.
- NE JAMAIS** découper longitudinalement une pièce gondolée ou déformée, ou sans bord droit pour la guider le long du guide.
- NE JAMAIS** scier une pièce trop large pour être contrôlée.
- NE JAMAIS** utiliser le guide en tant que guide ou butée de longueur pour faire des coupes transversales.
- NE JAMAIS** scier une pièce comportant nœuds séparés, défauts, clous ou autres objets étrangers.
- NE JAMAIS** couper longitudinalement une pièce de moins de 254 mm (10 po).
- NE JAMAIS** utiliser de lame émoussée, la remplacer ou la faire affûter.

⚠ AVERTISSEMENT : porter **SYSTEMATIQUÉMENT** des lunettes de protection. Les lunettes courantes NE sont PAS des lunettes de protection. Utiliser aussi un masque antipoussières si la découpe doit en produire beaucoup. **PORTER SYSTEMATIQUÉMENT UN ÉQUIPEMENT DE SÉCURITÉ HOMOLOGUÉ :**

- Protection oculaire ANSI Z87.1 (CAN/CSA Z94.3) ;
- Protection auditive ANSI S12.6 (S3.19) ;
- Protection des voies respiratoires NIOSH/OSHA/MSHA.

⚠ AVERTISSEMENT : les scies, meules, ponceuses, perceuses ou autres outils de construction peuvent produire des poussières contenant des produits chimiques reconnus par l'État californien pour causer cancers, malformations congénitales ou être nocifs au système reproducteur. Parmi ces produits chimiques, on retrouve :

- Le plomb dans les peintures à base de plomb ;
- La silice cristallisée dans les briques et le ciment, ou autres produits de maçonnerie ; et
- L'arsenic et le chrome dans le bois ayant subi un traitement chimique.

Le risque associé à de telles expositions varie selon la fréquence à laquelle on effectue ces travaux. Pour réduire toute exposition à ces produits : travailler dans un endroit bien aéré, en utilisant du matériel de sécurité homologué, tel un masque antipoussières spécialement conçu pour filtrer les particules microscopiques.

- Limiter toute exposition prolongée avec les poussières provenant du ponçage, sciage, meulage, perçage ou toute autre activité de construction. Porter des vêtements de protection et nettoyer à l'eau savonneuse les parties du corps exposées.** Le fait de laisser la poussière pénétrer dans la bouche, les yeux ou la peau peut favoriser l'absorption de produits chimiques dangereux.

⚠ AVERTISSEMENT : cet outil peut produire et/ou répandre de la poussière susceptible de causer des dommages sérieux et permanents au système respiratoire. Utiliser systématiquement un appareil de protection des voies respiratoires homologué par le NIOSH ou l'OSHA. Diriger les particules dans le sens opposé au visage et au corps.

CONSERVER CES CONSIGNES POUR UTILISATION ULTÉRIEURE

Caractéristiques techniques :

Ampères	15 A
Taille de table	21-7/8" (556 mm) X 26-3/8" (669 mm)
Onglet	30° D&G
Chanfrein	0° à 45°G
Taille de lame	254 mm (10 po)
Long. de coupe, Chanfrein 0°	79 mm (3-1/8 po)
Prof. Max. de coupe, Chanfrein 45°	57 mm (2-1/4 po)
R/min à vide	3650

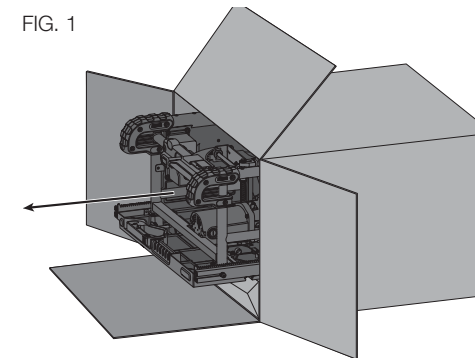
Déballage (Fig. 1)

⚠ AVERTISSEMENT : pour réduire tout risque de dommages corporels, NE PAS brancher la machine sur le secteur tant que la scie de table n'a pas été complètement assemblée et que vous n'avez pas lu le manuel de l'utilisateur dans sa totalité.

Ouvrez le carton et retirez la scie, comme illustré en Figure 1.

Déballer soigneusement le banc de scie circulaire ainsi que tous les accessoires dans le carton. Examinez l'ensemble pour vous assurer qu'aucune pièce n'a été endommagée pendant le transport. Si une pièce quelconque manquait ou était endommagée, veuillez contacter votre détaillant pour la remplacer avant de commencer à assembler l'outil.

FIG. 1



DESCRIPTION (FIG. 2, 3)

⚠ AVERTISSEMENT : ne jamais modifier l'outil électrique ni aucun de ses composants, car il y a risques de dommages corporels ou matériels.

Examinez les figures 2 et 3 pour vous familiariser avec la scie et ses différentes pièces. Les sections suivantes sur l'assemblage et le réglage utiliseront les termes mentionnés et il est important de connaître ces pièces et de savoir où elles sont.

- A. Table
- B. Lame
- C. Indicateur d'échelle de coupe
- D. Bouton de réglage de précision
- E. Levier de verrouillage de rail
- F. Molette de hauteur de lame
- G. Levier de verrouillage de biseau
- H. Interrupteur marche/arrêt
- I. Orifices d'installation
- J. Guide d'onglet
- K. Dispositif de carter de lame
- L. Levier de déverrouillage du couteau diviseur/carter de lame
- M. Couteau séparateur
- N. Dispositif anti-rebonds
- O. Buse de dépoussiérage
- P. Carter de la buse de dépoussiérage
- Q. Plaque de lumière
- R. Guide longitudinal
- S. Verrou de guide longitudinal
- T. Support d'ouvrage/guide longitudinal étroit (illustré en position de rangement)
- U Clés de lame (position de rangement)
- V. Poussoir de fin de passe (position de rangement)
- W. Couteau diviseur (coupe non intégrale) (Fig. 27)

USAGE PRÉVU

Cette scie de table a été conçue pour les coupes longitudinales, les coupes transversales, les coupes à onglet, en biseau et non intégrales, comme les engravures, sur divers matériaux.

NE PAS l'utiliser pour découper métaux, ciment ou maçonnerie.

NE PAS l'utiliser en milieu ambiant humide ou en présence de liquides ou de gaz inflammables.

NE PAS la laisser à la portée des enfants. Une supervision est nécessaire auprès de tout utilisateur non expérimenté.

MONTAGE

⚠ AVERTISSEMENT : risques de chocs électriques. Pour réduire tout risque de dommages corporels graves, arrêter et débrancher la machine du secteur avant de la déplacer, de changer d'accessoire ou d'effectuer tout réglage. Tout démarrage accidentel comporte des risques de dommages corporels.

CETTE SCIE DOIT ÊTRE ASSEMBLÉE DANS L'ORDRE SUIVANT : (FIG. 2, 4)

1. Assurez-vous que la lame est installée correctement et que l'écrou d'arbre est bien resserré. Utilisez les clés (U) entreposées sur l'outil (se reporter à la figure 3).
2. Installez et verrouillez la plaque de lumière (Q). (REMARQUE : ajuster les vis de réglage avant de continuer. Se reporter à la section Installation de la plaque de lumière.)
3. Installez le guide longitudinal (R). (REMARQUE : régler l'échelle de coupe avant de continuer. Se reporter à la section Réglage de l'échelle de coupe.)
4. Positionnez le dispositif de carter de lame.
5. Installez le dispositif anti-rebonds sur le dispositif du carter.

FIG. 2

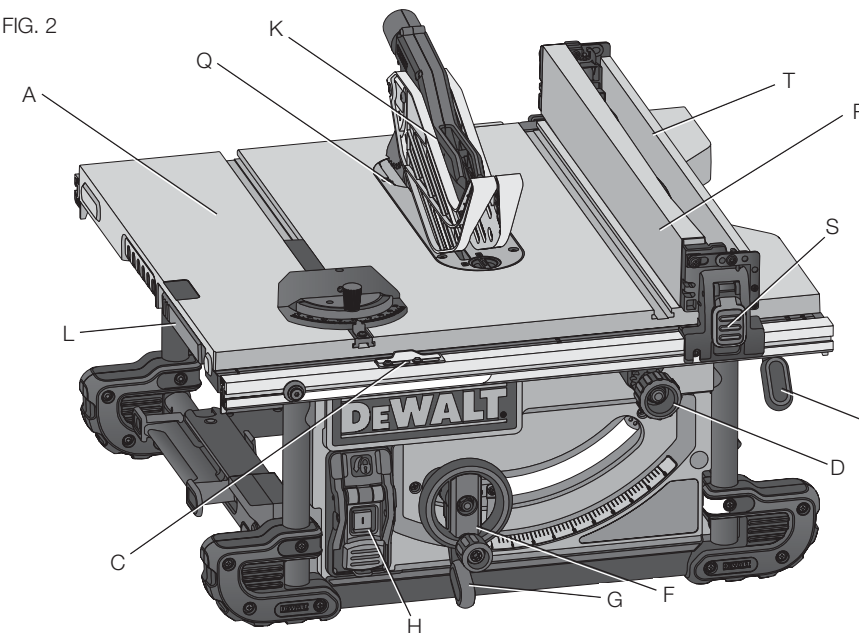
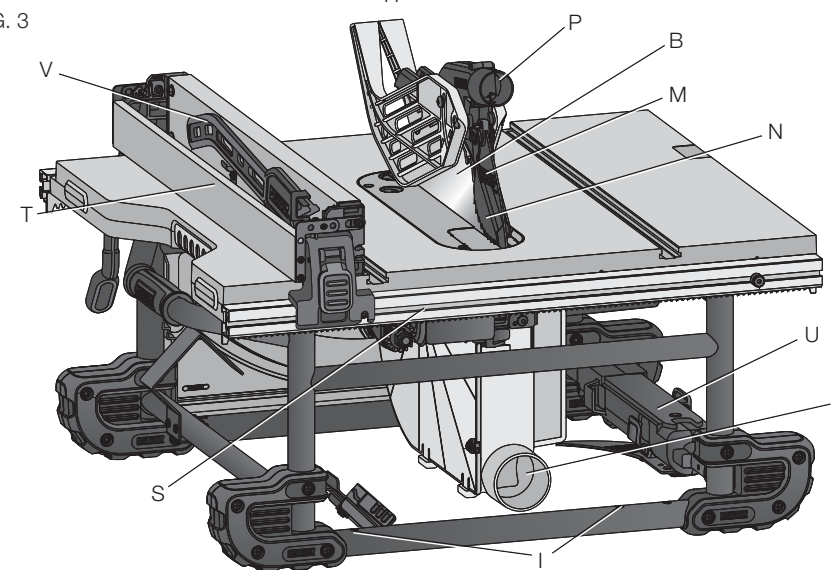


FIG. 3

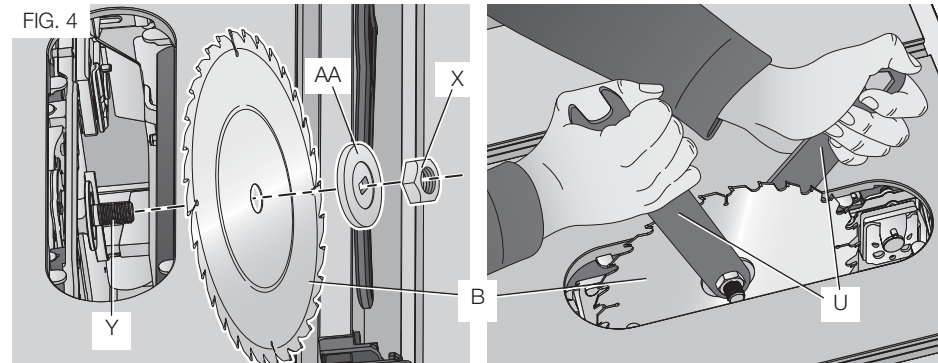


REMARQUE : pour rattacher cette scie de table à un établi, suivre les instructions d'assemblage incluses avec le dispositif de l'établi.

Les outils nécessaires pour l'assemblage comprennent les clés incluses avec cette scie.

INSTALLATION/REPLACEMENT DE LA LAME (FIG. 2, 4)

1. Relevez l'arbre de lame à sa hauteur maximale en tournant la molette de hauteur de lame (F) vers la droite.
2. Retirez l'écrou d'arbre (X) et la bride (AA) de l'arbre de scie en tournant vers la gauche.



3. Placez la lame sur la broche (Y) en vous assurant que les dents de lame (B) sont orientées vers le bas et l'avant de la table. Insérez la bride et l'écrou d'arbre sur la broche et resserrez manuellement l'écrou d'arbre (X) autant que possible, en vérifiant bien que la lame se trouve contre la rondelle interne et la rondelle (AA) de large diamètre contre la lame. Assurez-vous bien que le diamètre le plus large de la bride se trouve contre la lame. Assurez-vous que la broche et la bride sont exemptes de poussières et débris.
4. Pour empêcher la broche de tourner alors que vous resserrez l'écrou d'arbre, utilisez l'extrémité ouverte de la clé (U) pour bloquer la broche.
5. À l'aide de la clé d'arbre, resserrez l'écrou d'arbre (X) en tournant vers la droite.
6. **REMARQUE :** différents types de lames produisent différents traits de scie (largeur de coupe). Aussi, il est nécessaire de vérifier le réglage de l'échelle de coupe lorsqu'on change de lame. Toute lame installée ne DOIT pas excéder l'épaisseur indiquée sur le couteau diviseur. Le couteau diviseur fourni avec la scie a une épaisseur de 2,2 mm.

POSITIONNEMENT DU DISPOSITIF DE CARTER DE LAME/COUPEAU DIVISEUR (FIG. 5, 6).

Pour positionner le dispositif de carter de lame :

⚠ AVERTISSEMENT : utilisez le dispositif de carter de lame pour toute coupe intégrale.

1. Relevez l'arbre de lame à sa hauteur maximale.
2. Installez le dispositif de carter de lame en tirant sur le couteau diviseur/levier de déverrouillage du carter (L) en insérant à fond le couteau séparateur (M).
3. Libérez le levier, en vous assurant que les plaquettes de fixation sont complètement fermées et que le couteau séparateur est arrimé soigneusement.

REMARQUE : vérifier que le dispositif de carter de lame/couteau diviseur est bien verrouillé en place en tirant dessus.

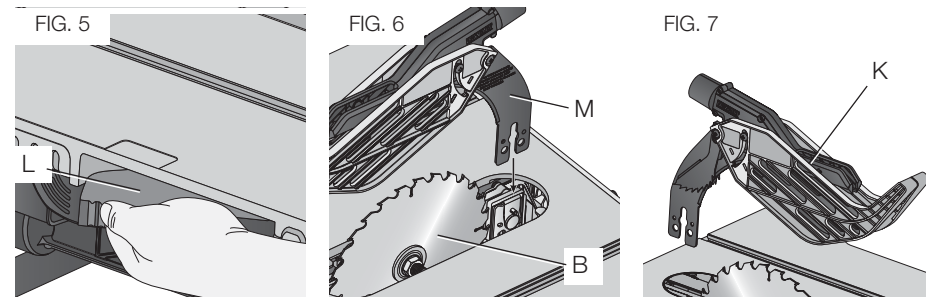
⚠ AVERTISSEMENT : utiliser le couteau diviseur pour les coupes non intégrales lorsque le dispositif de carter de lame ne peut être utilisé.

REMARQUE : suivre les étapes 1 à 3 pour installer le couteau diviseur (W) de la même manière que le dispositif de carter de lame, se reporter en figure 24.

⚠ AVERTISSEMENT : avant de brancher la table de scie sur le secteur ou d'utiliser celle-ci, inspecter systématiquement l'alignement du dispositif de carter de lame et du couteau diviseur ainsi que l'espacement avec la lame. Vérifier l'alignement après chaque changement d'angle de biseau.

⚠ AVERTISSEMENT : pour réduire tout risque de dommages corporels graves, NE PAS utiliser la scie si le couteau diviseur ou le dispositif de carter de lame n'est pas soigneusement verrouillé en place.

L'alignement sera correctement réalisé, lorsque le dispositif de carter de lame/couteau diviseur sera aligné avec la lame à la fois au niveau supérieur de la table et au sommet de la lame. À l'aide d'un guide de chant, assurez-vous que la lame (B) est alignée avec le couteau diviseur (W), ou le couteau séparateur (M). Alors que la scie est débranchée, faites passer les réglages d'inclinaison et de hauteur de lame d'un extrême à l'autre, et assurez-vous que le dispositif de carter de lame ne touche pas la lame pendant l'ensemble de l'opération, et que le dispositif anti-rebonds fonctionne correctement.

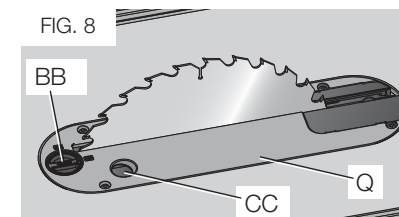


Retrait du dispositif de carter de lame/couteau diviseur (Fig. 5, 7)

1. Tirez sur le levier de déverrouillage du couteau diviseur/carter de lame (L).
2. Enlever le dispositif de carter de lame (K)/couteau diviseur (W).

POUR INSTALLER LA PLAQUE DE LUMIÈRE (FIG. 8)

1. Alignez la plaque de lumière comme illustré en Figure 8, et insérez les languettes à l'arrière de la plaque dans les trous à l'arrière de l'ouverture de la table.
2. Tournez la came vers la gauche jusqu'à ce que l'avant de la plaque de lumière s'encastre en place. Arrimez-la en faisant tourner le bouton de verrouillage de came (BB) vers la droite d'un quart de tour (lorsque le verrou de came se trouve sous la table maintenant ainsi la plaque de lumière en place).



3. La plaque de lumière comprend quatre vis de réglage pour la hausser ou l'abaisser. Lorsqu'elle est ajustée correctement, l'avant de la plaque de lumière se trouve à raz ou légèrement sous la surface de la table, et bien arrimée. L'arrière de la plaque de lumière doit être à raz ou légèrement au-dessus de la surface de la table.

RETRAIT DE LA PLAQUE DE LUMIÈRE

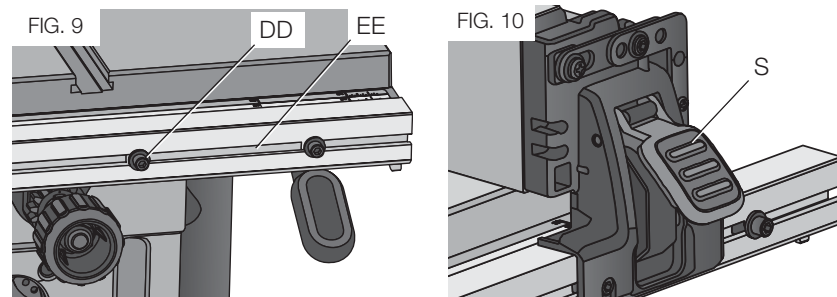
1. Retirez la plaque de lumière (Q) en tournant le bouton de verrouillage de came (BB) d'un quart de tour vers la gauche.
2. En utilisant le trou passe-doigt (CC) sur la plaque, tirez la plaque de lumière vers le haut et l'avant pour exposer l'intérieur de la scie. N'utilisez PAS la scie sans sa plaque de lumière. En cas d'utilisation d'une lame dado, utilisez une plaque de lumière dado adéquate (vendue séparément).

⚠ AVERTISSEMENT : pour réduire tout risque de dommages corporels graves, la plaque de lumière doit être systématiquement verrouillée en place.

DWE7490 - INSTALLATION DU GUIDE LONGITUDINAL (FIG. 9, 10)

Le guide longitudinal peut être installé sur deux positions à droite (Position 1 pour coupes longitudinales de 0 à 24,5 po, et Position 2 pour coupes longitudinales de 4 à 28,5 po), et une position à gauche de la scie de table.

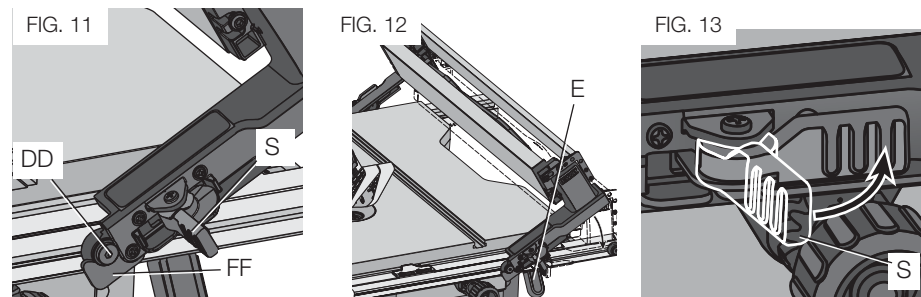
1. Alignez la goupille de positionnement (DD) du rail du guide sur l'orifice de tête du guide et alignez le verrou (S) sur l'ouverture (EE).
2. Arrimez le guide longitudinal en enclenchant les systèmes de verrouillage sur les rails, comme illustré en figure 9. Assurez-vous de bien enclencher les deux verrous (S), l'avant et l'arrière.



DWE7491 - INSTALLATION DU GUIDE LONGITUDINAL (FIG. 11-13)

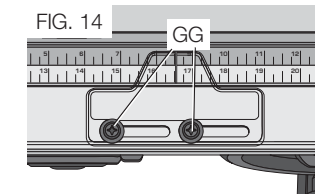
Le guide longitudinal peut être installé sur deux positions à droite (Position 1 pour coupes longitudinales de 0 à 24,5 po, et Position 2 pour coupes longitudinales de 8 à 32,5 po), et une position à gauche de la scie de table.

1. Déverrouillez les verrous du guide (S).
2. En maintenant le guide à un certain angle, alignez les goupilles de positionnement (avant et arrière) (DD) des rails du guide sur les orifices de tête du guide (FF), comme illustré en Figure 11.
3. Poussez les orifices de tête sur les goupilles puis faites pivoter le guide vers le bas jusqu'à ce qu'il s'appuie sur les rails.
4. Verrouillez le guide en place en refermant les verrous avant et arrière (S) sur les rails.



RÉGLAGE DE L'ÉCHELLE DE COUPE (FIG. 12, 14)

1. Ouvrez le levier de verrouillage de rail (E).
2. Réglez la lame sur le chanfrein 0° et déplacez le guide vers l'intérieur jusqu'à ce qu'il touche la lame.
3. Refermez le levier de verrouillage de rail.
4. Desserrez les vis de l'indicateur d'échelle de coupe (GG) et réglez l'indicateur d'échelle de coupe sur zéro (0). Resserez les vis de l'indicateur d'échelle de coupe. La lecture de l'échelle de coupe jaune (supérieure) est valide seulement lorsque le guide est installé à droite de la lame et sur la position 1 (coupe longitudinale de 0 à 24,5 po, et non sur la position de 32 po). La lecture de l'échelle de coupe blanche (inférieure) est valide seulement lorsque le guide est installé à droite de la lame et sur la position 2 (coupe longitudinale de 4 à 32,5 po). **REMARQUE :** pour la DWE7491, la lecture de l'échelle de coupe blanche (inférieure) est valide seulement lorsque le guide est installé à droite de la lame et sur la position 2 (coupes longitudinales de 8 à 28,5 po).



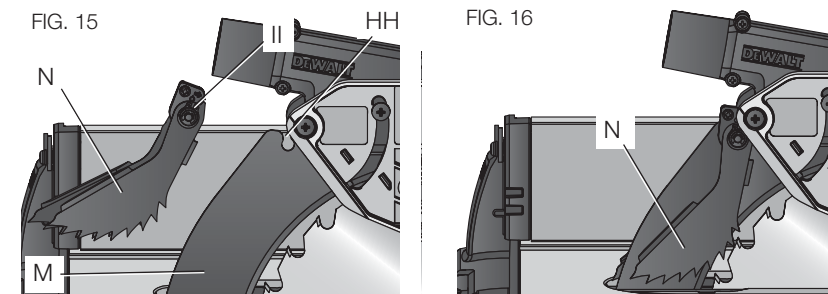
Une échelle métrique peut être achetée à part ; consulter la section **Accessoires** pour plus de détails.

DISPOSITIF ANTI-REBONDS (FIG. 15, 16)

⚠ AVERTISSEMENT : pour réduire tout risque de dommages corporels graves, le dispositif anti-rebonds doit être installé pour toutes les coupes où c'est possible.

1. Retirez le dispositif anti-rebonds (N) de son logement. Reportez-vous au paragraphe **Stockage**.
2. Repérez l'orifice d'installation (HH) du dispositif anti-rebonds sur la partie supérieure du couteau séparateur (M).
3. Alignez la goupille (II) sur l'orifice d'installation. Poussez sur la goupille (II) et appuyez à fond sur le dispositif anti-rebonds (N) jusqu'à ce qu'il s'encastre et soit verrouillé en place. **REMARQUE :** tirer sur le dispositif anti-rebonds pour vous assurer qu'il est bien verrouillé en place.
4. Pour retirer le dispositif anti-rebonds, poussez sur la goupille et tirez-le vers le haut hors de l'orifice d'installation.

Alors que la scie est débranchée, faites passer les réglages d'inclinaison et de hauteur de lame d'un extrême à l'autre, et assurez-vous que le dispositif de carter de lame ne touche pas la lame pendant l'ensemble de l'opération, et que le dispositif anti-rebonds fonctionne correctement.



Fixation sur établi

⚠ AVERTISSEMENT : avant toute installation sur banc ou établi, pour réduire tout risque de dommages corporels graves, arrêter et débrancher la machine du secteur avant de la déplacer, de changer d'accessoire ou d'effectuer tout réglage. Tout démarrage accidentel comporte des risques de dommages corporels.

⚠ ATTENTION : pour réduire tout risque de dommages corporels, s'assurer que la scie de table est solidement arrimée à une surface stable ou à l'établi fourni avant toute utilisation.

⚠ ATTENTION : s'assurer que la surface est assez stable pour que de larges pièces de matériau ne fassent pas basculer l'ensemble pendant utilisation.

La scie de table doit être fixée solidement. **La surface de montage doit comporter une ouverture de 38 cm x 38 cm (15 po x 15 po) pour permettre à la poussière de s'échapper.**

Il existe quatre trous (I) sur la base de l'outil pour sa fixation. Nous conseillons vivement que ces trous soient utilisés pour arrimer la scie de table à votre établi ou à toute autre structure stationnaire rigide.

1. Centrez la scie sur un morceau de contreplaqué de 12,7 mm (1/2 po). La surface de contreplaqué doit comporter une ouverture de 38 cm x 38 cm (15 po x 15 po) pour permettre à la poussière de s'échapper.
2. À l'aide d'un crayon, marquez les positions des deux trous d'installation arrière (espacé de 220 mm [8-5/8 po]) sur le châssis de la scie. Mesurez ensuite vers l'avant à 498,5 mm (19-5/8 po) les deux trous avant.
3. Retirez la scie et percez des trous de 7,9 mm (5/16 po) sur les repères effectués.
4. Positionnez la scie sur les quatre trous juste percés dans le contreplaqué, et insérez, SUR L'ENVERS, quatre vis de mécanique de 6,4 mm (1/4 po). Installez rondelles et écrous de 7,9 mm (5/16 po) sur le dessus. Resserrez fermement.
5. Pour empêcher les têtes de vis de rayer la surface sur laquelle vous arrimerez la scie, fixez deux barres de bois le long de la base de contreplaqué. Ces barres peuvent être fixées à l'aide de vis à bois installées sur le dessus du contreplaqué tant que celles-ci ne dépasseront pas de l'autre côté de la barre.
6. Arrimez la base de contreplaqué avec des serre-joints à votre établi chaque fois que vous voudrez vous servir de la scie.

Branchement de la scie sur le secteur

⚠ AVERTISSEMENT : pour réduire tout risque de dommages corporels, s'assurer de bien mettre l'interrupteur en position d'ARRÊT avant de brancher la scie sur le secteur.

Assurez-vous que le courant utilisé correspond à celui recommandé sur la plaque signalétique. CA UNIQUEMENT veut dire que cette scie fonctionne seulement sur courant alternatif. Une baisse de tension de 10 pour cent ou plus causera perte de puissance et surchauffe. Tous les outils DEWALT sont testés en usine. Si l'outil ne fonctionne pas correctement, vérifiez la source d'alimentation.

Réglages

⚠ AVERTISSEMENT : pour réduire tout risque de dommages corporels, arrêter et débrancher la machine du secteur avant d'installer ou retirer tout accessoire, avant tout réglage ou changement de configuration, ou pour faire toute réparation. Tout démarrage accidentel comporte des risques de dommages corporels.

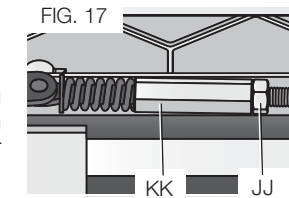
REMARQUE : cette scie a été parfaitement et précisément réglée en usine au moment de sa fabrication. Si en raison du transport, de la maintenance, ou pour toute autre raison, un ajustement s'avérait nécessaire, suivre les instructions ci-après pour régler votre scie.

Une fois effectués, ces réglages devraient demeurer corrects. Prenez, dès à présent, un minimum de temps pour suivre soigneusement ces directives pour maintenir la précision dont cette scie est capable.

RÉGLAGE DU SYSTÈME DE BLOCAGE DE LA BARRE DE GUIDAGE (FIG. 2, 17)

(Serrage du système de fixation du guide)

1. Verrouiller la poignée de blocage de la barre de guidage (E).
2. Desserrer l'écrou (JJ) de la face inférieure de la scie.
3. Serrer la tige hexagonale (KK) jusqu'à ce que le ressort du système de verrouillage soit comprimé et crée la tension recherchée sur la poignée de blocage de la barre. Ressermer le contre-écrou contre la tige hexagonale.
4. Vérifiez que la clôture ne bouge pas lorsque le levier de verrouillage est engagé. Si la barrière est toujours lâche, serrez l'autre ressort.



RÉGLAGE DE L'ÉCHELLE DE COUPE

Se reporter à la section **Réglage de l'échelle de coupe** sous **Montage**.

RÉGLAGE DE L'ALIGNEMENT DE LAME (FIG. 18)

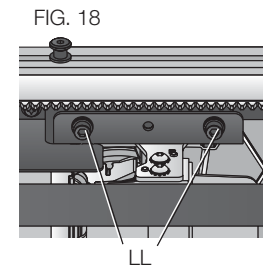
(Lame parallèle à la fente d'onglet)

⚠ AVERTISSEMENT : risques de coupure. Vérifiez la lame à 0° et 45° pour s'assurer que la lame ne rentre pas en contact avec la plaque de lumière et cause des dommages corporels.

Si la lame ne semble plus alignée avec la fente d'onglet sur le dessus de la table, il faudra effectuer un recalibrage. Pour réaligner la lame et la fente d'onglet, suivez la procédure ci-après :

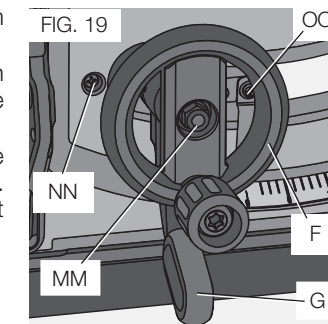
⚠ AVERTISSEMENT : pour réduire tout risque de dommages corporels, arrêter et débrancher la machine du secteur avant d'installer ou retirer tout accessoire, avant tout réglage ou changement de configuration, ou pour faire toute réparation. Tout démarrage accidentel comporte des risques de dommages corporels.

1. À l'aide d'une clé hexagonale de 6 mm, desserrez les fixations du support pivotant arrière (LL), juste assez pour permettre au support d'être déplacé sur le côté.
2. Ajustez le support pour que la lame soit parallèle à la fente de guide d'onglet.
3. Resserrez les fixations du support pivotant arrière de 8,1 à 10,8 Nm (6 à 8 pi lb.).

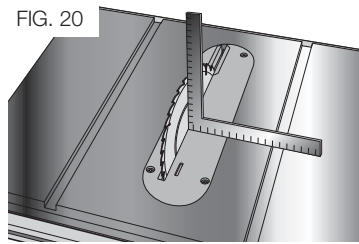


RÉGLAGE DE BUTÉE DE CHANFREIN ET D'INDICATEUR (FIG. 19, 20)

1. Élevez complètement la lame en tournant au maximum la mollette de hauteur de lame (F) vers la droite.
2. Déverrouillez le levier de verrouillage de chanfrein (G) en le poussant vers le haut et la droite. Dévissez la vis de butée de chanfrein (NN).
3. Disposez une équerre à plat contre la table et contre la lame entre les dents, comme illustré en figure 20. Assurez-vous que le levier de verrouillage de rail est levé, c'est-à-dire déverrouillé.



4. À l'aide du levier de verrouillage de chanfrein, ajustez l'angle de biseau jusqu'à ce qu'il soit à plat contre l'équerre
5. Verrouillez le levier de verrouillage de rail en le rabattant.
6. Tournez la came de butée de chanfrein (MM) jusqu'à obtenir un contact ferme avec le corps de palier. Dévissez la vis de butée de chanfrein (NN).
7. Vérifiez l'angle de biseau sur l'échelle. Si l'indicateur n'est pas sur 0°, desserrez la vis de l'indicateur (OO) et ajustez l'indicateur sur le bon angle. Resserrez la vis de l'indicateur.
8. Répétez à 45° mais sans ajuster l'indicateur.



RÉGLAGE DU GUIDE D'ONGLET (FIG. 2)

Pour régler le guide d'onglet (J), desserrez le bouton, ajustez sur l'angle désiré puis resserrez le bouton.

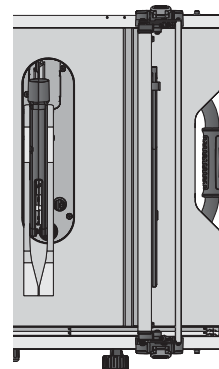
RÉGLAGE DE L'ALIGNEMENT DU GUIDE (FIG. 2, 21) (LAME PARALLÈLE AU GUIDE)

En cas de problème avec l'alignement du guide, et qu'il s'avère nécessaire de redresser le parallélisme entre le guide et la lame, assurez-vous de vérifier d'abord l'alignement de la lame et de la fente d'onglet. Une fois que ces derniers sont alignés, effectuez l'alignement entre la lame et le guide de la façon suivante :

POSITION 1 D'ALIGNEMENT DE GUIDE (FIG. 21)

1. Installez le guide en position 1 (fig. 21) puis déverrouillez le levier de verrouillage de rail (E). Situez les deux goupilles de positionnement (DD) qui retiennent le guide à l'avant et à l'arrière des rails.
2. Dévissez la vis de la goupille de positionnement arrière et ajustez l'alignement du guide dans la rainure jusqu'à ce que la face du guide soit parallèle à la lame. Assurez-vous de bien vérifier l'alignement de la face de guide avec l'avant et l'arrière de la lame.
3. Resserrez la vis de la goupille de positionnement et répétez l'opération sur le côté gauche de la lame.
4. Vérifiez l'indicateur d'échelle de coupe.

FIG. 21

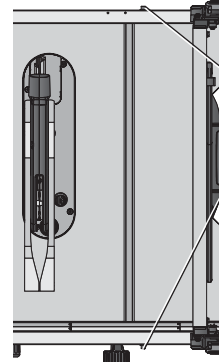


POSITION 1

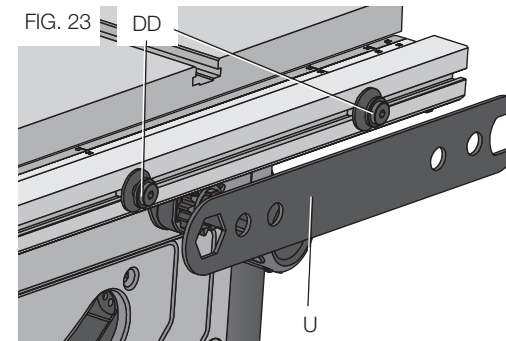
POSITION 2 D'ALIGNEMENT DE GUIDE (FIG. 22, 23)

1. Pour aligner les goupilles de positionnement de guide en position 2, assurez-vous que les goupilles de position 1 sont bien alignées, reportez-vous au paragraphe **Position 1 d'alignement de guide**.
2. Desserrez les goupilles de positionnement de position 2, puis en utilisant les trous de la clé pour lame comme guide de positionnement, alignez les goupilles (fig. 23).
3. Resserrez les goupilles de positionnement (avant et arrière).

FIG. 22

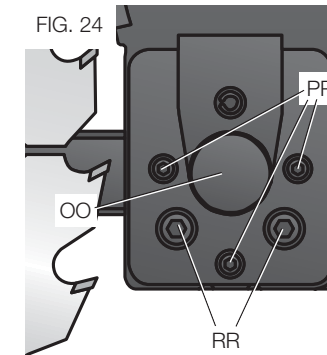


POSITION 2



ALIGNEMENT DU COUTEAU DIVISEUR ET DE LA LAME (FIG. 24)

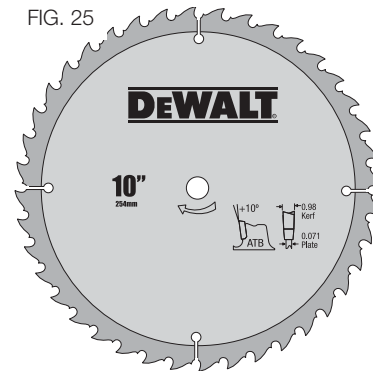
1. Retirez la plaque de lumière. Se reporter à la section **Retrait de la plaque de lumière** sous **Montage**.
2. Ajustez la lame à la profondeur de coupe maximale pour un angle de biseau de 0°.
3. Situez les quatre petites vis de pression (PP) près du bouton de verrouillage du couteau diviseur (QQ). Ces vis sont utilisées pour ajuster la position du couteau diviseur.
4. Posez un guide de chant sur la table contre deux pointes de lame. Le couteau diviseur ne devrait pas toucher le guide de chant. Si nécessaire, dévissez les deux larges vis de blocage (RR).
5. Ajustez les petites vis de pression (PP) pour déplacer le couteau diviseur en suivant la position notée à l'étape 5. Posez le guide de chant à l'opposé de la lame et répétez l'ajustement si nécessaire.
6. Vissez légèrement les deux large vis de blocage (RR).
7. Disposez une équerre contre le couteau diviseur pour vérifier qu'il est bien vertical et aligné avec la lame.
8. Si nécessaire, utilisez les vis de pression pour aligner verticalement le couteau diviseur avec l'équerre.
9. Répétez les étapes 5 et 6 pour vérifier la position du couteau diviseur.
10. Vissez fermement les deux larges vis de blocage (RR).



Lames de scie (Fig. 25)

⚠ AVERTISSEMENT : pour fonctionner correctement, les couteaux diviseurs doivent cadrer avec les dimensions de la lame. Se reporter à la section **Couteau diviseur**.

REMARQUE : CETTE SCIE A ÉTÉ CONÇUE POUR ÊTRE UTILISÉE SEULEMENT AVEC DES LAMES DE SCIE D'UN DIAMÈTRE DE 254 mm (10 po).



- La lame fournie avec votre scie est une lame mixte de 254 mm (10 po), utilisée pour la coupe transversale (contre le grain), la coupe longitudinale (dans le sens du grain) et intégrale du matériau. Le trou central d'alésage est de 16 mm (5/8 po) de diamètre. Cette lame produira une coupe de bonne qualité pour la plupart des applications.
- Il existe de nombreux types de lames disponibles pour faire des travaux spécifiques ou spéciaux comme : uniquement la coupe en travers, ou la coupe longitudinale, biconcave, pour le contreplaqué fin, le panneauage, etc.
- Utilisez seulement des lames conçues pour fonctionner en toute sécurité à des vitesses de 5 000 r/min ou plus.
- Maintenez systématiquement les lames bien aiguisées. Il est recommandé de repérer un aiguiser de bonne réputation près de chez vous pour affûter vos lames chaque fois que nécessaire.
- N'empilez jamais vos lames les unes sur les autres. Séparez-les avec du carton, ou autre, pour prévenir tout contact entre les lames.

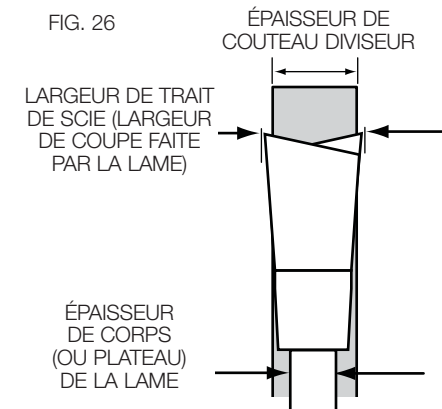
⚠ ATTENTION : pour réduire tout risque de dommages corporels, les meules ou lames abrasives (y compris diamant) ne doivent pas être utilisées avec cette scie.

Sélection du couteau séparateur et couteau diviseur (Fig. 26 à 28)

⚠ AVERTISSEMENT : pour minimiser tout risque de rebonds et assurer une coupe adéquate, le couteau séparateur et le couteau diviseur doivent avoir l'épaisseur adaptée à la lame utilisée.

Le couteau séparateur et le couteau diviseur fournis avec cette scie de table sont adaptés à la lame fournie avec la scie.

Si une lame différente est utilisée, vérifiez l'épaisseur du corps de lame (plateau) et la largeur de trait de scie (coupe) imprimées sur la lame ou l'emballage de lame. L'épaisseur du couteau séparateur et celle du couteau diviseur doivent être supérieures à l'épaisseur du corps de lame et inférieures à la largeur du trait de scie, comme illustré en Figure 26.



Le couteau diviseur fourni avec la scie comporte les inscriptions suivantes (fig. 25) :

ÉPAISSEUR DE COUPEAU DIVISEUR : 2,2 mm (0,087 po.). UTILISER SEULEMENT AVEC UNE LAME DE 254 mm (10 po.), POUR UNE LARGEUR MIN DE TRAIT DE SCIE DE 2,4 MM (0,094 po.), ET UN MAX. D'ÉPAISSEUR DE CORPS DE 1,75 mm (0,067 po.).

FIG. 27

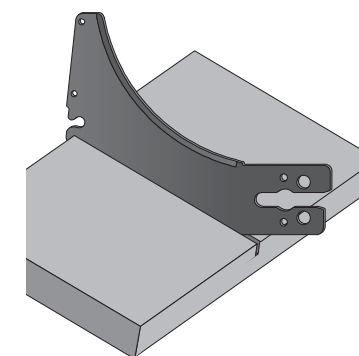


L'ensemble des épaisseurs de corps de lame et de largeurs de trait de scie offert par DEWALT est à votre disposition à www.dewalt.com.

Si une lame différente est utilisée et que les dimensions d'épaisseur de corps et de largeur de trait de scie ne sont pas disponibles, utilisez la procédure suivante pour déterminer l'épaisseur correcte de couteau diviseur :

1. Mesurez l'épaisseur de corps de la lame.
2. Effectuez une petite entaille dans un bois de rebus et mesurez l'épaisseur de trait de scie.
3. Choisissez ensuite le couteau diviseur comme illustré en Figure 28.

FIG. 28



4. Insérez le couteau diviseur dans l'entaille faites à l'étape 2 pour vérifier que vous avez choisi le couteau diviseur adéquat. Le couteau diviseur ne devrait ni rester coincé ni freiner dans l'entaille (fig. 28).

IMPORTANT : si vous rencontrez un grippage ou un freinage alors que le matériau atteint le couteau diviseur, arrêtez et débranchez la machine du secteur. Répétez les étapes 1 à 4 pour sélectionner le couteau diviseur adéquat avant de tenter toute nouvelle coupe.

Rebonds

Les rebonds sont dangereux ! Ils sont causés par une pièce qui s'agrippe à la lame. Le résultat en est que la pièce peut rapidement être éjectée dans la direction opposée à l'avance de coupe. Pendant un rebond, la pièce peut être projetée sur l'utilisateur. Ils peuvent aussi entraîner la main de l'utilisateur sur le chemin de scie si celle-ci est située derrière la lame. En cas de rebond, ARRÊTEZ la scie et vérifiez le fonctionnement du couteau diviseur, du dispositif anti-rebonds, et du dispositif de carter de lame avant de continuer à travailler.

⚠ AVERTISSEMENT : se reporter à la section **Règles de sécurité additionnelles relatives aux bancs de scie circulaire** et suivre toutes directives préconisées sur les rebonds.

UTILISATION

⚠ AVERTISSEMENT : pour réduire tout risque de dommages corporels, arrêter et débrancher la machine du secteur avant d'installer ou retirer tout accessoire, avant tout réglage ou changement de configuration, ou pour faire toute réparation. Tout démarrage accidentel comporte des risques de dommages corporels.

⚠ AVERTISSEMENT : avant d'utiliser la scie, vérifier systématiquement les éléments suivants :

- Porter **SYSTÉMATIQUEMENT** un équipement de protection oculaire, auditif et respiratoire adéquats.
- La lame est fermement serrée.
- Les boutons de verrouillage d'angle de biseau et de hauteur de coupe sont verrouillés.
- En cas de coupes longitudinales, s'assurer que le levier de verrouillage du guide est verrouillé et le guide est bien parallèle à la lame.
- En cas de coupes transversales, le bouton de guide d'onglet est bien verrouillé.
- Le dispositif de carter de lame est correctement rattaché et le dispositif anti-rebonds fonctionne correctement.
- Inspecter **SYSTÉMATIQUEMENT** l'alignement, le fonctionnement, et l'espace entre la lame et le dispositif de carter de lame et le couteau diviseur.
- S'assurer **SYSTÉMATIQUEMENT** que les deux dispositifs de protection sont abaissés et en contact avec la table avant toute utilisation.

⚠ AVERTISSEMENT : pour réduire tout risque de dommages corporels graves, avoir le poussoir de fin de passe à portée de main avant de commencer à scier.

Tout manquement à ces consignes de sécurité fondamentales augmente grandement les risques de dommages corporels.

⚠ AVERTISSEMENT : pour réduire tout risque de dommages corporels, arrêter et débrancher la machine du secteur avant d'installer ou retirer tout accessoire, avant tout réglage ou changement de configuration, ou pour faire toute réparation. Tout démarrage accidentel comporte des risques de dommages corporels.

⚠ AVERTISSEMENT : avant de brancher le banc de scie circulaire sur le secteur ou d'utiliser la scie, inspecter systématiquement l'alignement, le fonctionnement et l'espace entre la lame et le dispositif de carter de lame et le couteau diviseur pour prévenir tout risque de blessure.

⚠ AVERTISSEMENT : la coupe longitudinale ou transversale peut faire basculer la scie en cours d'utilisation. S'assurer que la scie est solidement fixée à une surface stable.

⚠ AVERTISSEMENT : ne jamais utiliser ensemble le guide et le guide d'onglet. Cela pourrait causer des rebonds et entraîner des dommages corporels.

⚠ ATTENTION : si la scie fait un bruit inhabituel ou vibre excessivement, arrêter aussitôt toute opération, arrêter l'outil, le débrancher du secteur jusqu'à ce que le problème ait été identifié et corrigé. Si le problème persiste, contacter un centre de réparation d'usine DEWALT, un centre de réparation agréé DEWALT ou tout autre personnel de réparation qualifié.

⚠ ATTENTION : une plaque de lumière appropriée doit être systématiquement installée pour réduire tout risque d'éjection de pièce et de dommages corporels.

Il existe deux types principaux de coupe avec cette scie de table : la coupe longitudinale et la coupe transversale. Peu importe le matériau, bois naturel ou préfabriqué, la distinction entre la coupe longitudinale et la coupe transversale est la suivante : la coupe longitudinale correspond à réduire la largeur (en général dans le fil du bois), et la coupe transversale correspond à réduire la longueur du matériau (en général contre le fil).

⚠ AVERTISSEMENT : lors d'une coupe longitudinale, utiliser systématiquement le guide pour guider le matériau et le dispositif de carter de lame pour se protéger des rebonds.

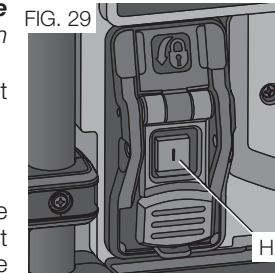
⚠ AVERTISSEMENT : ne jamais effectuer de coupe à main levée. Ne jamais effectuer de coupe en plongée.

⚠ ATTENTION : lors de coupes transversales, utiliser systématiquement le guide d'onglet.

Interrupteur marche/arrêt (Fig. 29)

⚠ AVERTISSEMENT : pour réduire tout risque de dommages corporels, s'assurer que l'interrupteur est en position d'ARRÊT avant de brancher la machine.

Appuyez sur le bouton vert (H) pour mettre la scie en marche et appuyez sur la manette rouge pour arrêter la scie.



UTILISATION DE LA FONCTIONNALITÉ DE VERROUILLAGE

Un capot au-dessus de l'interrupteur se rabat pour permettre l'insertion d'un cadenas pour verrouiller la scie à l'arrêt. Il est recommandé d'utiliser un cadenas d'un diamètre maximum de 6,35 mm (1/4 po) avec un écart minimum de 76,2 mm (3 po).

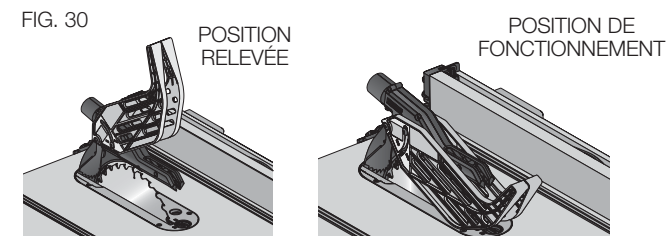
Fonctionnalité du dispositif de protection (Fig. 30)

⚠ AVERTISSEMENT : pour réduire tout risque de dommages corporels, arrêter et débrancher la machine du secteur avant d'installer ou retirer tout accessoire, avant tout réglage ou changement de configuration, ou pour faire toute réparation. Tout démarrage accidentel comporte des risques de dommages corporels.

1. En position verticale, le(s) dispositif(s) de protection seront verrouillés.
2. Cela augmente la visibilité pour mesurer la distance entre la lame et le guide.
3. Abaissez le(s) dispositif(s), et ils se déverrouilleront pour permettre l'utilisation de la scie.

REMARQUE : tirer sur le dispositif anti-rebonds pour s'assurer qu'il est bien verrouillé en place.

S'assurer **SYSTÉMATIQUEMENT** que les deux dispositifs de protection sont abaissés et en contact avec la table avant toute utilisation.



Utilisation du guide longitudinal (Fig. 31–33)

LEVIER DE VERROUILLAGE DE RAIL (FIG. 32)

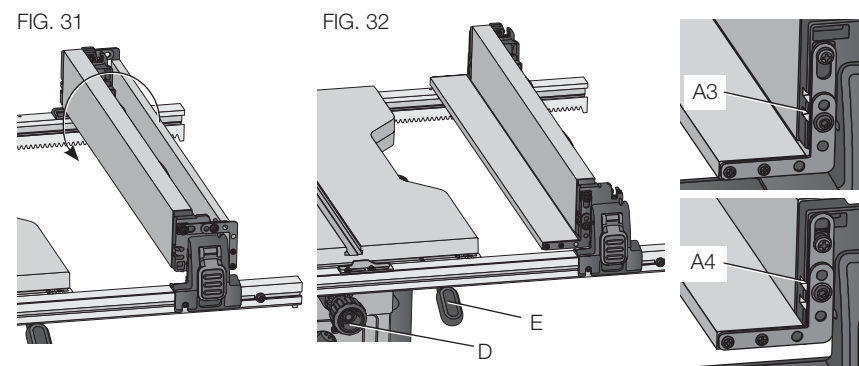
Le levier de verrouillage de rail (E) verrouille le guide en place pour prévenir tout mouvement pendant la coupe. **Pour verrouiller le levier de verrouillage de rail**, rabattez-le vers l'arrière de la scie. **Pour le déverrouiller**, tirez-le vers le haut et l'avant de la scie.

REMARQUE : pour toute coupe longitudinale, verrouiller systématiquement le levier de verrouillage de rail.

SUPPORT TÉLESCOPIQUE/GUIDE LONGITUDINAL ÉTROIT

Votre scie de table est équipée d'un guide longitudinal étroit pour soutenir toute pièce qui dépasserait de la table de scie. Pour utiliser le guide longitudinal étroit, sortez-le de son logement, comme illustré en figure 31, et insérez les goupilles du bras pivotant dans les trous (A3) de chaque côté. Les goupilles s'enclencheront dans les supports du guide (A4) à l'avant et à l'arrière du guide. Reportez-vous en figure 33B. Cette fonctionnalité donnera un espacement supplémentaire de 51 mm (2 po) à la lame. Si un espacement supérieur est nécessaire, suivez les directions pour fabriquer un **Guide longitudinal auxiliaire étroit**.

REMARQUE : après utilisation, entreposer le guide longitudinal étroit dans son logement.



REMARQUE : ce guide permet au dispositif de protection de rester sur la scie pour effectuer des coupes longitudinales étroites. Ce guide laissera suffisamment d'espace pour utiliser un pousoir de fin de passe. Si l'on préfère avoir plus d'espacement pour un bloc-pousoir ou un pousoir de fin de passe, se reporter à la section **Guide longitudinal auxiliaire étroit**.

BOUTON DE RÉGLAGE DE PRÉCISION (FIG. 31)

Le bouton de réglage de précision (D) permet d'effectuer des réglages de précision sur le guide. Avant le réglage, assurez-vous que le levier de verrouillage de rail est levé, c'est-à-dire déverrouillé.

INDICATEUR D'ÉCHELLE DE COUPE

L'indicateur d'échelle de coupe devra être réajusté pour le fonctionnement correct du guide longitudinal chaque fois que l'utilisateur passera d'une lame à trait fin à une lame à trait épais. La lecture de l'indicateur d'échelle de coupe sera correcte uniquement en position 1 (de 0 à 24,5 po). Cependant en position 1 avec un guide longitudinal étroit, rajoutez 2 po. Reportez-vous à la section Réglage de l'échelle de coupe sous Montage.

Coupe longitudinale (Fig. 33)

⚠ AVERTISSEMENT : ne jamais toucher l'« extrémité libre » de la pièce à travailler ou la « chute » qui est coupée, alors que le moteur est en MARCHE et/ou que la lame est toujours en rotation. Ce morceau pourrait entrer en contact avec la lame et être violemment éjecté, posant ainsi des risques de dommages corporels.

⚠ AVERTISSEMENT : utiliser **SYSTÉMATIQUEMENT** un guide longitudinal pour toute coupe longitudinale pour prévenir toute perte de contrôle de la pièce/scie et tout dommage corporel. **NE JAMAIS** effectuer de coupe longitudinale à main levée. Verrouiller **SYSTÉMATIQUEMENT** le guide au rail.

⚠ AVERTISSEMENT : pour toute coupe longitudinale biseautée, et chaque fois que possible, disposer le guide sur le côté de la lame de façon à ce qu'elle soit inclinée dans la direction opposée au guide et aux mains.

⚠ AVERTISSEMENT : protéger les mains de la lame.

⚠ AVERTISSEMENT : utiliser un pousoir de fin de passe pour alimenter la pièce à travailler s'il y a entre 51 et 152 mm (2 et 6 po) entre le guide et la lame. Utiliser un guide longitudinal étroit et un bloc-pousoir pour alimenter la pièce à travailler s'il y a 51 mm (2 po) ou moins entre le guide et la lame.

1. Verrouillez le guide longitudinal en abaissant le levier de verrouillage de rail. Retirez le guide d'onglet.
2. Surélevez la lame pour qu'elle soit à peu près à 3,2 mm (1/8 po) au-dessus de la pièce à machiner.
3. Maintenez la pièce à plat sur la table et contre le guide. Maintenez la pièce à environ 25,4 mm (1 po) de la lame.

FIG. 33 A

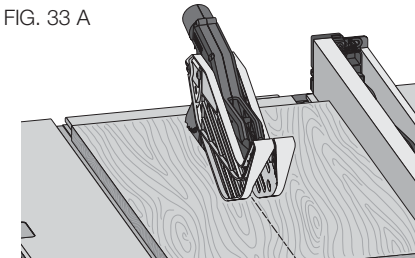
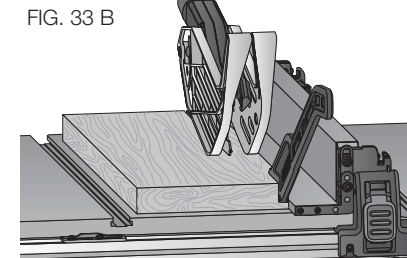


FIG. 33 B



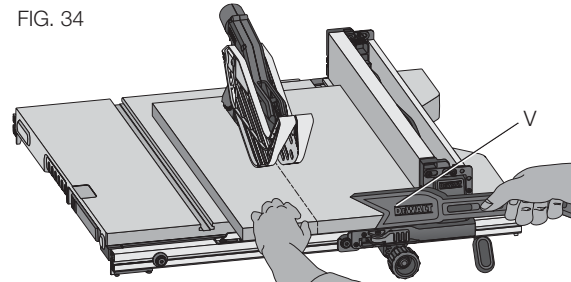
⚠ ATTENTION : la pièce à machiner doit avoir un bord droit contre le guide et ne doit être ni gondolée, ni déformée, ni courbe. Protéger les mains de la lame et les maintenir à l'écart du chemin de lame. Se reporter à la position adéquate pour les mains en figure 33.

4. Mettez la scie en marche et laissez la lame prendre de la vitesse. Les deux mains peuvent être utilisées pour commencer la coupe. Lorsqu'il ne reste plus qu'environ 305 mm (12 po) à couper, utilisez une main seulement, en utilisant le pouce pour pousser le matériau, l'index et le doigt suivant pour maintenir le matériau à plat, et les autres doigts sur le guide. Maintenez systématiquement le pouce contre les deux premiers doigts et près du guide.
5. Tout en conservant la pièce contre la table et le guide, alimentez lentement la pièce depuis l'arrière jusqu'à la lame. Continuez à pousser jusqu'à ce que la pièce passe de l'autre côté du dispositif de carter de lame et tombe à l'arrière de la table. Ne surchargez pas le moteur.
6. Ne tentez jamais de tirer la pièce en arrière alors que la lame est en rotation. Arrêtez la machine, laissez la lame s'arrêter complètement, soulevez les dents du système anti-rebonds de chaque côté du couteau diviseur, si nécessaire, et retirez la pièce.
7. Utilisez systématiquement un support de travail pour scier de longues pièces de matériau, ou panneaux. Un chevalet, une table à rouleaux ou de sortie peuvent offrir un support adéquat. Le support de travail doit être à la même hauteur ou légèrement plus bas que la table de scie.

⚠ ATTENTION : ne jamais pousser ou maintenir l'extrémité « libre » ou « coupée » de la pièce à travailler si elle se trouve entre la lame et le guide.

Coupes longitudinales de petites pièces (Fig. 34)

Il est dangereux de couper longitudinalement de petites pièces. Il est dangereux de laisser les mains s'approcher trop près de la lame. Il est conseillé de couper une pièce plus large pour obtenir la taille désirée. Lorsqu'une petite largeur doit être découpée et que la main ne peut pas être mise entre la lame et le guide longitudinal, sans présenter de risques, utilisez un ou plusieurs poussoirs de fin de passe. Un schéma est inclus en fin de manuel pour fabriquer des poussoirs de fin de passe. Un poussoir de fin de passe (V) est inclus avec cette scie, et rattaché au guide longitudinal. Utilisez le/les poussoir(s) de fin de passe pour maintenir la pièce contre la table et le guide, et pousser complètement la pièce au-delà de la lame.

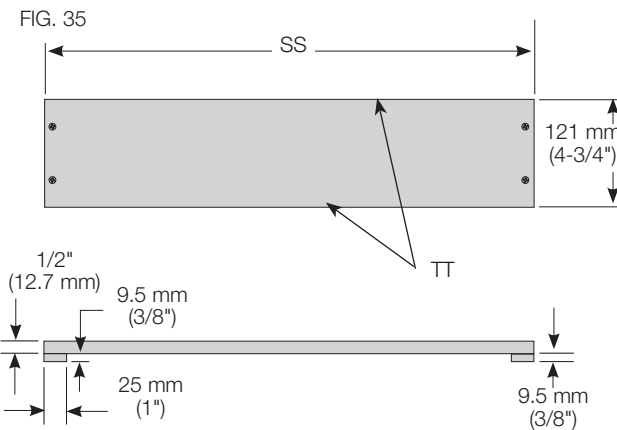


Guide longitudinal auxiliaire étroit (Fig. 35, 36)

Le guide longitudinal auxiliaire étroit doit être utilisé pour une coupe longitudinale de 51 mm (2 po) ou moins. Ce guide permet au dispositif de protection de rester sur la scie pour effectuer des coupes longitudinales étroites. Cela laissera un espace suffisant pour utiliser un bloc-poussoir (TT, reportez-vous à la section Bloc-poussoir).

1. Suivez le schéma en Figure 35 pour fabriquer un guide longitudinal auxiliaire étroit (SS).

REMARQUE : sa longueur devrait être similaire à celle du dessus de la table de scie et ses côtés (TT) devraient être parallèles.



2. Une fois le guide longitudinal auxiliaire étroit construit, glissez-le le long de la surface de la table de scie et placez-le à raz du guide, comme illustré en Figure 37.
3. Insérez la pièce jusqu'à ce que le bord du matériau touche le bord avant de la table de scie.
4. Continuez d'alimenter le matériau à l'aide du bloc-poussoir (UU) jusqu'à ce que la coupe soit terminée.

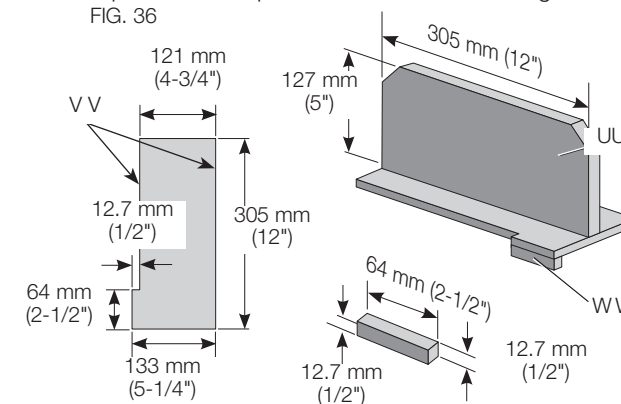
Bloc-poussoir (Fig. 36, 37)

IMPORTANT : utilisez le bloc-poussoir (UU) seulement avec le guide longitudinal auxiliaire étroit, se reporter à la section **Guide longitudinal auxiliaire étroit**. Le bloc-poussoir devrait être utilisé lorsque le matériau à machiner a atteint la surface de la table de scie.

1. Construisez un bloc-poussoir en suivant le schéma en Figure 36.

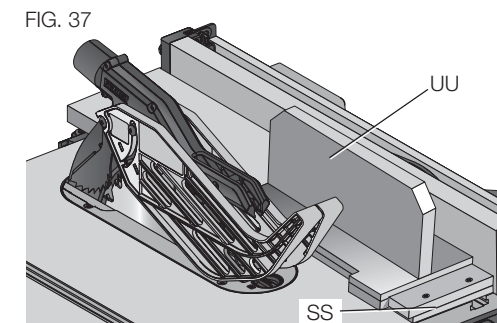
REMARQUE : les côtés (V V) doivent être identiques.

IMPORTANT : la bordure (V V, Fig. 36) DOIT être d'équerre. Une lèvre inégale pourrait faire déraiser le bloc-poussoir ou repousser le matériau loin du guide.



2. Posez le bloc-poussoir (UU, Fig. 37) derrière le matériau en vous assurant que la lèvre du bloc est à raz du guide longitudinal auxiliaire étroit (SS).
3. Une fois le bloc-poussoir en place, continuez à alimenter le matériau vers la scie jusqu'en fin de coupe en vous assurant que le bloc-poussoir reste constamment au raz du guide longitudinal auxiliaire étroit.

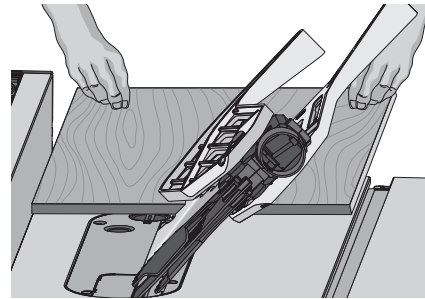
IMPORTANT : le guide longitudinal auxiliaire étroit et la bordure (W W, Fig. 36) devraient être de la même épaisseur.



Taille en biseau

Cette opération est identique à une coupe longitudinale sauf que l'angle de biseau est ajusté à un angle autre que zéro. Reportez-vous à la position adéquate pour les mains en figure 38.

FIG. 38



⚠ AVERTISSEMENT : avant de brancher le banc de scie circulaire sur le secteur ou d'utiliser la scie, inspecter systématiquement l'alignement et l'espace entre la lame et le dispositif de carter de lame et le couteau diviseur. Vérifier l'alignement après chaque changement d'angle de biseau.

Coupes transversales

⚠ AVERTISSEMENT : NE JAMAIS toucher le « bout libre » de la pièce à machiner ou la « chute » qui est coupée, alors que le moteur est en MARCHE et/ou que la lame est toujours en rotation. Le morceau pourrait entrer en contact avec la lame, être violemment rejeté, et poser des risques de dommages corporels.

⚠ AVERTISSEMENT : pour réduire tout risque de dommages corporels, NE JAMAIS utiliser le guide en tant que guide ou butée de longueur pour faire des coupes transversales.

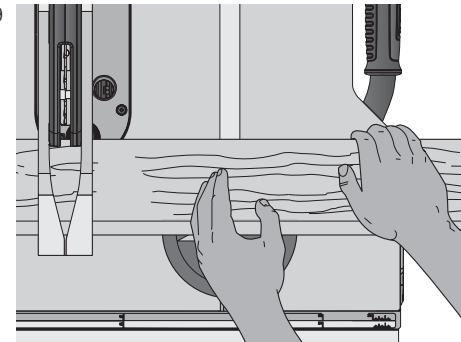
⚠ AVERTISSEMENT : NE JAMAIS utiliser de butée de longueur sur le bout libre de la pièce lors de coupes transversales. En bref, la partie chute de toute coupe intégrale (couper une pièce de bout en bout) ne doit jamais être retenue. Elle doit pouvoir s'écarter de la lame pour prévenir tout contact avec la lame, et éviter d'être violemment rejetée, et poser des risques de dommages corporels.

⚠ AVERTISSEMENT : prendre des précautions en début de coupe pour prévenir tout grippage du dispositif de carter de lame contre la pièce qui pourrait causer des dommages matériels et corporels.

⚠ ATTENTION : lorsqu'on utilise un bloc comme gabarit de coupe, le bloc doit avoir une épaisseur minimale de 19 mm (3/4 po), et il est important que l'arrière du bloc soit positionné de façon à ce que la pièce dépasse du bloc avant de pénétrer la lame pour prévenir tout contact avec la lame, éviter d'être violemment éjectée, et poser des risques de dommages corporels.

1. Retirez le guide longitudinal et installez le guide d'onglet dans l'emplacement désiré.
2. Ajustez la hauteur de lame pour qu'elle dépasse d'à peu près 3,2 mm (1/8 po) la pièce à machiner.
3. Maintenez fermement la pièce contre le guide d'onglet alors que le chemin de lame est aligné avec la position de coupe désirée. Maintenez la pièce à deux centimètres environ devant la lame. PROTÉGER LES MAINS DE LA LAME ET LES MAINTENIR À L'ÉCART DU CHEMIN DE LAME (fig. 39).

FIG. 39



4. Mettez la scie en marche et laissez la lame prendre de la vitesse.
5. Maintenez à deux mains la pièce contre l'avant du guide d'onglet, tout en la maintenant à plat contre la table, et poussez-la lentement au travers de la lame.
6. Ne tentez jamais de retirer la pièce alors que la lame est en rotation. Arrêtez la machine, laissez la lame s'arrêter complètement, et retirez lentement la pièce.

⚠ ATTENTION : ne jamais toucher ou maintenir le bout « libre », ou « coupé » de la pièce à travailler.

Coupes transversales en biseau

Cette opération est identique à une coupe transversale sauf que l'angle de biseau est ajusté à un angle autre que zéro.

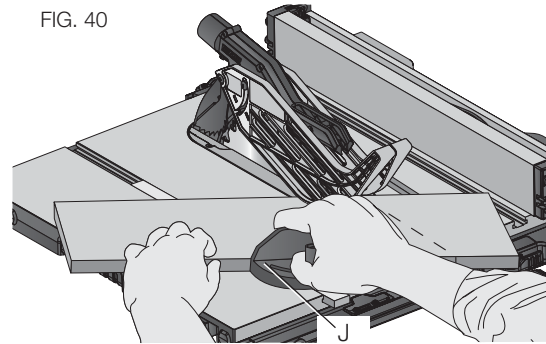
⚠ AVERTISSEMENT : avant de brancher le banc de scie circulaire sur le secteur ou d'utiliser la scie, inspecter systématiquement l'alignement et l'espace entre la lame et le dispositif de carter de lame et le couteau diviseur. Vérifier l'alignement après chaque changement d'angle de biseau.

Onglet (Fig. 40)

⚠ AVERTISSEMENT : les onglets supérieurs à 45° peuvent forcer le dispositif de carter de lame dans la lame, endommager celui-ci et causer des dommages corporels. Avant de mettre le moteur en marche, tester l'opération en alimentant la pièce au travers du dispositif de carter de lame. Si le dispositif de carter de lame entre en contact avec la lame, disposer la pièce sous le dispositif de carter de lame, sans toucher la lame, avant de remettre le moteur en marche.

⚠ ATTENTION : certaines formes de pièces, comme les moulures, peuvent ne pas soulever le dispositif de carter de lame correctement. Alimentez la pièce lentement pour commencer la coupe. Si le dispositif de carter de lame entre en contact avec la lame, disposez la pièce sous le dispositif de carter de lame, sans toucher la lame, avant de remettre le moteur en marche.

Cette opération est identique à une coupe transversale sauf que le guide d'onglet est verrouillé à un angle autre que zéro. Maintenez FERMEMENT la pièce contre le guide d'onglet (J) et poussez-la lentement vers la lame (pour l'empêcher de bouger).



Utilisation du guide d'onglet

Pour ajuster le guide d'onglet :

1. Desserrez la manette de verrouillage du guide d'onglet.
2. Déplacez le guide d'onglet sur l'angle désiré.
3. Resserrez la manette de verrouillage du guide d'onglet.

ONGLET MIXTE

Ceci est une combinaison de coupe transversale en biseau et d'onglet. Suivez les instructions pour les coupes transversales en biseau et pour les coupes d'onglet.

Engravure

⚠ ATTENTION : ne pas tenter d'installer des lames dado d'une épaisseur supérieure à 20 mm (13/16 po). Ne pas utiliser des lames dado d'un diamètre supérieur à 200 mm (8 po).

Comme les engravures ne sont pas des coupes intégrales, les coupes peuvent être effectuées sans le dispositif de carter de lame. Pour retirer le dispositif de carter de lame, poussez le levier de déverrouillage du couteau diviseur/carter de lame et tirez le carter ou le couteau diviseur vers le haut pour le retirer.

Lors de l'utilisation d'une scie à rainure, le tampon spécial de lame dado (vendu aussi comme accessoire) doit être utilisé.

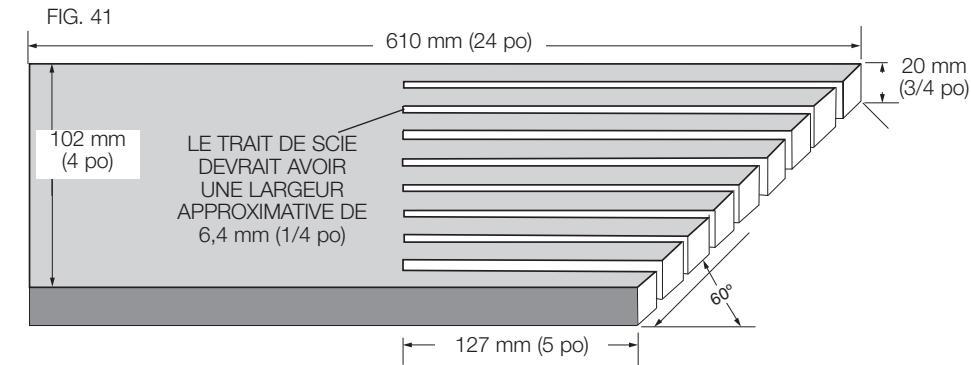
Chaque fois qu'une coupe requise est considérablement plus large que le trait de scie, la scie à rainure est utilisée. L'engravure est utilisée couramment pour soutenir et souligner une étagère de buffet, une bibliothèque ou un projet similaire. **Lorsque vous utilisez la scie à rainure, le dispositif de carter de lame doit être retiré. Faites EXTRÊMEMENT attention lorsque vous utilisez la scie à rainure sans le dispositif de carter de lame et le couteau diviseur.** Si une coupe profonde est requise, faites plusieurs passes successives plutôt que d'essayer de la terminer en une passe. L'engravure maximale avec cette scie est de 20 mm (13/16 po). NE PAS TENTER D'ENGRAVURE PLUS LARGE.

⚠ ATTENTION : vérifier systématiquement le passage libre de la lame dado avant de brancher la scie.

Assurez-vous de bien réinstaller le dispositif de carter de lame et la plaque de lumière standard, et vérifiez les réglages une fois que l'engravure est terminée. Réinstallez le dispositif de carter de lame, le dispositif anti-rebonds et le couteau diviseur.

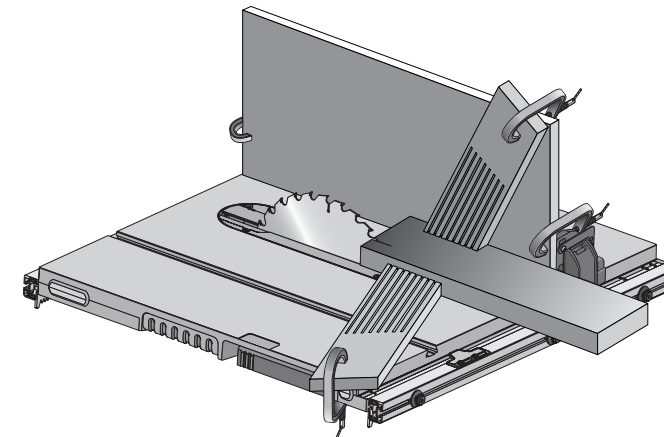
Construction d'un peigne (Fig. 41, 42)

Les peignes sont utilisés pour maintenir la pièce en contact avec le guide et la table, et prévenir les rebonds. Les dimensions pour effectuer un peigne typique sont illustrées en Figure 41. Effectuez le peigne dans un morceau de bois droit, sans nœuds ou fentes. Fixez le peigne au guide et à la table pour que le bord principal du peigne supporte la pièce jusqu'à ce que la coupe soit terminée (Fig. 42). Un panneau plat de 203 mm (8 po) de haut peut être arrimé au guide longitudinal, et le peigne en retour peut être arrimé au panneau de 203 mm (8 po).



⚠ AVERTISSEMENT : utiliser un peigne lors des opérations de coupe partielle pour lesquelles le dispositif de carter de lame, le dispositif anti-rebonds et le couteau diviseur, ne peuvent pas être utilisés. **Replacer systématiquement le dispositif de carter de lame, le dispositif anti-rebonds et le couteau diviseur une fois la coupe partielle terminée.** S'assurer que le peigne appuie seulement sur la portion de la pièce devant la lame.

FIG. 42



Système de dépoussiérage (Fig. 43)

Cette scie de table est équipée d'un dispositif anti-poussières et d'une buse de dépoussiérage. Pour optimiser les résultats, connectez un aspirateur à la buse à l'arrière de la scie et sur le carter à l'aide d'un connecteur en Y. Le connecteur Y est un accessoire vendu séparément. Reportez-vous à la section Accessoires.

AVIS : il est important de vérifier que la position des tuyaux n'interférera pas avec les opérations de coupe.

Il peut s'avérer qu'après un usage intensif, le système d'aspiration des poussières se bouche. Pour nettoyer le système d'aspiration des poussières :

1. Débranchez la scie.
2. Mettez la scie sur le côté pour accéder à la partie ouverte de la machine.
3. Ouvrez le portillon d'accès du système antipoussières (XX), illustré en figure 43, en poussant sur les clips latéraux (YY). Nettoyez l'excès de poussières, puis ré-arrimez l'ensemble en enclenchant à fond les clips latéraux.

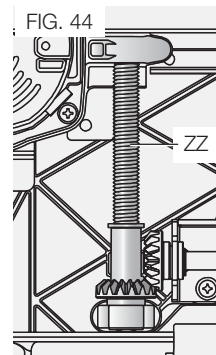
Interrupteur de réinitialisation en cas de surcharge moteur ou perte de courant

Si le disjoncteur venait à sauter et couper le courant, ou si le courant était autrement coupé, la scie possède un interrupteur de réinitialisation en cas de perte de courant qui réinitialisera automatiquement l'outil en position d'ARRÊT.

Les surcharges de disjoncteur sont souvent causées par des lames émoussées. Changez votre lame régulièrement pour éviter de déclencher votre disjoncteur. Débranchez la scie du secteur, et vérifiez votre lame avant de réarmer le disjoncteur et continuer à scier.

Lubrification (Fig. 44)

1. Les roulements du moteur sont lubrifiés de façon permanente en usine et aucune autre lubrification n'est nécessaire.
2. La vis de réglage de hauteur peut nécessiter une lubrification et un nettoyage réguliers. Si vous éprouvez des difficultés à élever ou abaisser la lame :
 - a) Débranchez la scie.
 - b) Mettez la scie sur le côté pour accéder à la partie ouverte de la machine.
 - c) Nettoyez et lubrifiez le filetage de vis de réglage de hauteur (ZZ) sur l'envers de la scie avec une graisse à usage général, comme illustré en Figure 44.



Stockage (Fig. 45 à 50)

1. Rattachez le poussoir de fin de passe (V) au guide.
2. Retirez le dispositif de carter de lame (K). Reportez-vous à la section **Retrait du dispositif de carter de lame**. Insérez le dispositif de carter de lame dans son logement, comme illustré, puis tournez le levier vers la gauche pour le verrouiller.
3. Appuyez sur la goupille du dispositif anti-rebonds (N) pour permettre à l'ensemble de sortir de la fente du couteau diviseur.

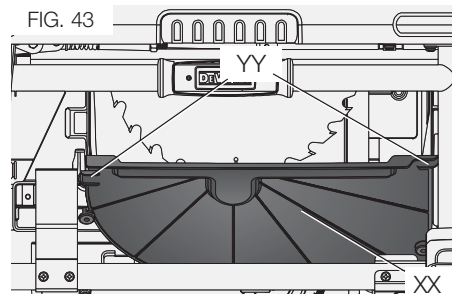


FIG. 45

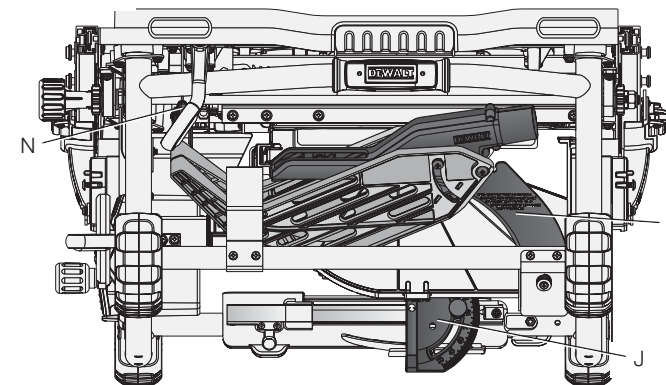


FIG. 46

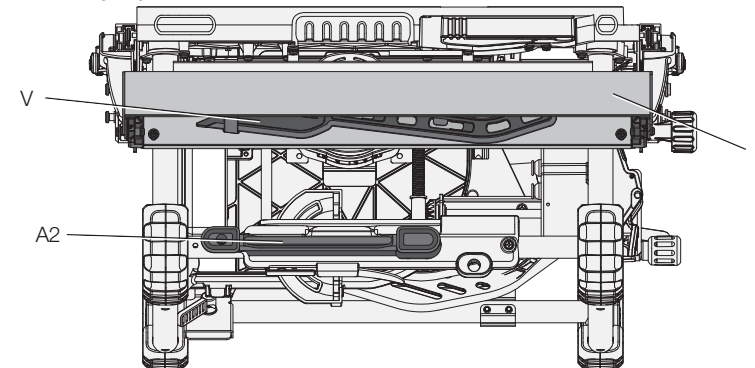


FIG. 47

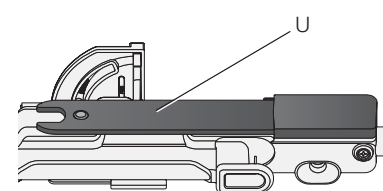


FIG. 49

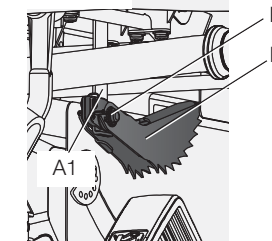


FIG. 48

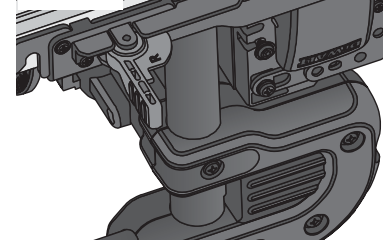
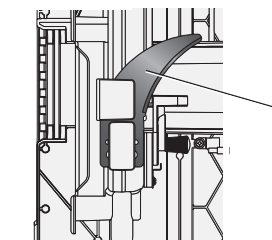


FIG. 50



4. Installez le dispositif anti-rebonds dans son logement, comme illustré. Tout en appuyant sur la goupille (I), poussez le dispositif anti-rebonds dans le dispositif de stockage (A1) et libérez la goupille pour le verrouiller en place.
5. Insérez les clés de lame (U) dans leur logement jusqu'à ce que le bouton jaune s'aligne sur le trou pour les arrimer en place, reportez-vous à la Figure 47.
6. Insérez la barre de guidage du guide d'onglet (J) dans sa poche, puis enclenchez-la en place (Fig. 45).
7. Enroulez le cordon à cet endroit (A2, Fig. 46).
8. Le couteau diviseur (W) de coupes non intégrales s'accroche sous la scie, sous le rembobineur de cordon, reportez-vous en figure 50.
9. Pour entreposer le guide (K), poussez le support d'ouvrage en position de stockage. Retirez le guide des rails. Rattachez le guide à l'envers sur le côté gauche de la scie, reportez-vous en figure 46. N'accrochez PAS les goupilles de positionnement sur les vis de positionnement du guide latéral gauche. Ces vis s'aligneront sur la poche d'espacement du guide comme illustré. Le verrou du guide pivotant verrouillera l'ensemble.

MAINTENANCE

⚠ AVERTISSEMENT : pour réduire tout risque de dommages corporels, arrêter et débrancher la machine du secteur avant d'installer ou retirer tout accessoire, avant tout réglage ou changement de configuration, ou pour faire toute réparation. Tout démarrage accidentel comporte des risques de dommages corporels.

Nettoyage

⚠ AVERTISSEMENT : il est nécessaire d'éliminer régulièrement la poussière dans le carter du moteur à l'aide d'un jet d'air comprimé propre et net. Des poussières ou débris contenant des particules métalliques s'accumulent souvent sur leurs surfaces internes, causant ainsi de sérieux risques de dommages corporels. **TOUJOURS PORTER DES LUNETTES DE PROTECTION.**

⚠ ATTENTION : utiliser seulement un chiffon humide pour nettoyer les parties en plastique. De nombreux nettoyants domestiques contiennent des produits chimiques qui pourraient sérieusement endommager le plastique. De plus, ne pas utiliser d'essence, de térébenthine, ou de diluant, de produits de nettoyage à sec ou tout autre produit similaire qui pourrait sérieusement endommager les pièces en plastique. S'assurer qu'aucun liquide ne pénètre dans l'outil ; ne jamais immerger aucune partie de l'outil dans un liquide.

Accessoires

⚠ AVERTISSEMENT : puisque les accessoires autres que ceux offerts par DEWALT n'ont pas été testés avec ce produit, leur utilisation pourrait s'avérer dangereuse. Pour réduire le risque de blessures, utiliser exclusivement les accessoires DEWALT recommandés avec le présent produit.

Les accessoires recommandés, comme l'échelle de coupe métrique, à utiliser avec votre outil peuvent être achetés à part auprès de votre concessionnaire local ou votre centre de service agréé. Pour obtenir de l'aide concernant l'achat d'un accessoire, communiquer avec DEWALT Industrial Tool Co., 701 East Joppa Road, Baltimore, MD 21286 aux États-Unis; composer le 1 800 433-9258 (1 800 4-DEWALT) ou visiter notre site Web : www.dewalt.com.

Réparations

Pour assurer la SÉCURITÉ et la FIABILITÉ du produit, les réparations, l'entretien et les réglages doivent être réalisés (cela comprend l'inspection et le remplacement du balai) par un centre de réparation en usine DEWALT, un centre de réparation agréé DEWALT ou par d'autres techniciens qualifiés. Toujours utiliser des pièces de rechange identiques.

Registre en ligne

Merci pour votre achat. Enregistrez dès maintenant votre produit:

- **RÉPARATIONS SOUS GARANTIE:** cette carte remplie vous permettra de vous prévaloir du service de réparations sous garantie de façon plus efficace dans le cas d'un problème avec le produit.
- **CONFIRMATION DE PROPRIÉTÉ:** en cas de perte provoquée par un incendie, une inondation ou un vol, cette preuve de propriété vous servira de preuve auprès de votre compagnie d'assurances.
- **SÉCURITÉ:** l'enregistrement de votre produit nous permettra de communiquer avec vous dans l'éventualité peu probable de l'envoi d'un avis de sécurité régi par la loi fédérale américaine de la protection des consommateurs.

Registre en ligne à www.dewalt.com/register.

Garantie limitée de trois ans

DEWALT réparera, sans frais, tout produit défectueux causé par un défaut de matériel ou de fabrication pour une période de trois ans à compter de la date d'achat. La présente garantie ne couvre pas les pièces dont la défectuosité a été causée par une usure normale ou l'usage abusif de l'outil. Pour obtenir de plus amples renseignements sur les pièces ou les réparations couvertes par la présente garantie, visiter le site www.dewalt.com ou composer le 1 800 433-9258 (1 800 4-DEWALT). Cette garantie ne s'applique pas aux accessoires et ne vise pas les dommages causés par des réparations effectuées par un tiers. Cette garantie confère des droits légaux particuliers à l'acheteur, mais celui-ci pourrait aussi bénéficier d'autres droits variant d'un état ou d'une province à l'autre.

En plus de la présente garantie, les outils DEWALT sont couverts par notre :

CONTRAT D'ENTRETIEN GRATUIT D'UN AN

DEWALT entretiendra l'outil et remplacera les pièces usées au cours d'une utilisation normale et ce, gratuitement, pendant une période d'un an à compter de la date d'achat.

GARANTIE DE REMBOURSEMENT DE 90 JOURS

Si l'acheteur n'est pas entièrement satisfait, pour quelque raison que ce soit, du rendement de l'outil électrique, du laser ou de la cloueuse DEWALT, celui-ci peut le retourner, accompagné d'un reçu, dans les 90 jours à compter de la date d'achat pour obtenir un remboursement intégral, sans aucun problème.

AMÉRIQUE LATINE : cette garantie ne s'applique aux produits vendus en Amérique latine. Pour ceux-ci, veuillez consulter les informations relatives à la garantie spécifique présente dans l'emballage, appeler l'entreprise locale ou consulter le site Web pour les informations relatives à cette garantie.

REEMPLACEMENT GRATUIT DES ÉTIQUETTES D'AVERTISSEMENT : si les étiquettes d'avertissement deviennent illisibles ou sont manquantes, composer le 1 800 433-9258 (1 800 4-DEWALT) pour en obtenir le remplacement gratuit.

ADVERTENCIA PARA REDUCIR EL RIESGO DE LESIONES, LEA EL MANUAL DE INSTRUCCIONES ANTES DE UTILIZAR LA SIERRA, SIGA LAS INSTRUCCIONES SOBRE CÓMO REDUCIR EL RIESGO DE REBOTE. USE SIEMPRE UN EQUIPO OCULAR, AUDITIVO Y RESPIRATORIO ADECUADO. UTILICE TODOS LOS COMPONENTES DEL ENSAMBLAJE DEL PROTECTOR DE LA HOJA PARA CADA OPERACIÓN PARA LA QUE PUEDAN UTILIZARSE, INCLUIDO EL CORTE CON TRASPASO, NO REALICE NINGUNA OPERACIÓN A MANO ALZADA, NO REALICE CORTES EN PICADO, APOYE LA PIEZA DE TRABAJO CON LA MESA Y LA GUÍA O LA MESA Y EL INDICADOR DE ANGULO PARA CORTES INGLEADOS. MANTENGA LAS MANOS FUERA DE LA LÍNEA DE LA HOJA, NO EXTENDA NUNCA LA MANO ALREDEDOR O POR ENCIMA DE LA HOJA, USE EL EMPUJADOR CUANDO SEA NECESARIO.

AVERTISSEMENT POUR RÉDUIRE TOUT RISQUE DE DOMMAGES CORPORELS, LIRE LE GUIDE D'UTILISATION AVANT TOUTE UTILISATION DE LA SCIE. SUIVRE LES INSTRUCTIONS SUR COMMENT RÉDUIRE LES RISQUES DE REBONDS, PORTER SYSTÉMATIQUEMENT UN ÉQUIPEMENT ADÉQUAT DE PROTECTION OCULAIRE, AUDITIVE ET RESPIRATOIRE. UTILISER SYSTÉMATIQUEMENT L'ENSEMBLE DES COMPOSANTS DU DISPOSITIF DE CARTER DE LAME POUR EFFECTUER TOUTES LES OPÉRATIONS POUR LESQUELLES IL PEUT ÊTRE UTILISÉ, Y COMPRIS LES COUPES INTÉGRALES. NE JAMAIS UTILISER LA SCIE À MAIN LEVÉE, NE FAIRE AUCUNE COUPE EN PLONGÉE, SOUTENIR LA PIÈCE À TRAVAILLER À LA MISE DE LA TABLE ET DU GUIDE OU DE LA TABLE ET DU GUIDE D'ONGLET, MAINTENIR LES MAINS À L'ÉCART DU CHEMIN DE LAME, NE JAMAIS PASSER LES MAINS DERRIÈRE OU AU-DESSUS DE LA LAME, UTILISER LE CAS ÉCARTANT, UN POUSSOIR DE FIN DE PASSE.

DWEXXX
BLADE 10", 254mm

NOTE: USE 120 VOLT 15 AMP BRANCH CIRCUIT AND USE 15 AMP TIME-DELAY FUSE.

SER. [REDACTED]

WARNING TO REDUCE THE RISK OF INJURY, READ INSTRUCTION MANUAL BEFORE OPERATING SAW. FOLLOW INSTRUCTIONS ON HOW TO REDUCE THE RISK OF KICKBACK, ALWAYS USE PROPER EYE, HEARING AND RESPIRATORY EQUIPMENT, USE ALL COMPONENTS OF THE BLADE GUARD ASSEMBLY FOR EVERY OPERATION FOR WHICH THEY CAN BE USED, INCLUDING ALL THROUGH SAWING, DO NOT PERFORM ANY OPERATION FREEHAND, DO NOT PLUNGE CUT, SUPPORT WORK WITH TABLE AND FENCE OR TABLE AND MITER GAUGE, KEEP HANDS OUT OF THE LINE OF THE BLADE, NEVER REACH AROUND OR OVER BLADE, USE PUSH STICK WHEN REQUIRED.

DEWALT INDUSTRIAL TOOL CO., BALTIMORE, MD 21286 U.S.A. FOR SERVICE INFORMATION, CALL 1-800-4-DEWALT www.DEWALT.com

ADVERTENCIA PARA REDUCIR EL RIESGO DE UNA LESIÓN GRAVE, UTILICE EL CONJUNTO PROTECTOR DE LA HOJA Y LA GUARDA PARA CUCHILLA SIEMPRE QUE SEA POSIBLE, INCLUSO PARA TODOS LOS CORTES CON SIERRA, MANTENGA LAS MANOS FUERA DE LA LÍNEA DE LA HOJA DE LA SIERRA, UTILICE UNA VARA PARA EMPUJAR SIEMPRE QUE SEA NECESARIO.

AVERTISSEMENT POUR RÉDUIRE LE RISQUE DE BLESSURES GRAVES, UTILISER LE PROTÈGE-LAME ET LE COUTEAU SÉPARATEUR POUR TOUTES LES APPLICATIONS POSSIBLES Y COMPRIS LE DÉBITAGE COMPLET, GARDER LES MAINS HORS DE LA TRAJECTOIRE DE LA LAME DE LA SCIE, UTILISER UN POUSSOIR S'IL Y A LIEU.

WARNING TO REDUCE THE RISK OF SERIOUS INJURY, USE SAW BLADE GUARD AND RIVING KNIFE FOR EVERY OPERATION FOR WHICH IT CAN BE USED, INCLUDING ALL THROUGH SAWING, KEEP HANDS OUT OF THE LINE OF SAW BLADE, USE A PUSH-STICK WHEN REQUIRED.

WARNING FOR PROPER USE AND INSTALLATION OF GUARD, RIVING KNIFE AND KICKBACK PAWLS REFER TO INSTRUCTION MANUAL.

ADVERTENCIA PARA INSTALAR Y UTILIZAR CORRECTAMENTE EL PROTECTOR, LA CUCHILLA HENDEDORA Y LOS SEGUROS ANTIRRETROCESO, CONSULTE EL MANUAL DE INSTRUCCIONES.

AVERTISSEMENT SE REPORTER AU MODE D'EMPLOI POUR L'UTILISATION ET L'INSTALLATION ADÉQUATES DU PROTÈGE-LAME, DU COUTEAU SÉPARATEUR ET DES CLIQUETS ANTI-EFFET DE REBOND.

WARNING USER MUST READ INSTRUCTION MANUAL FOR PROPER INSTALLATION OF ANTI-KICKBACK ASSEMBLY.

ADVERTENCIA EL USUARIO DEBE LEER EL MANUAL DE INSTRUCCIONES PARA UNA CORRECTA INSTALACION DEL CONJUNTO DE ANTIRRETROCESO.

AVERTISSEMENT L'UTILISATEUR DOIT LIRE LE MODE D'EMPLOI POUR CONNAÎTRE LE BON MODE D'INSTALLATION DU MODULE ANTIRECUL.



Français

Definiciones: Normas de seguridad

Las siguientes definiciones describen el nivel de gravedad de cada palabra de señal. Lea el manual y preste atención a estos símbolos.

▲ PELIGRO: indica una situación de peligro inminente que, si no se evita, provocará la muerte o lesiones graves.

▲ ADVERTENCIA: indica una situación de peligro potencial que, si no se evita, podría provocar la muerte o lesiones graves.

▲ ATENCIÓN: indica una situación de peligro potencial que, si no se evita, posiblemente provocaría lesiones leves o moderadas.

AVISO: se refiere a una práctica no relacionada a lesiones corporales que de no evitarse puede resultar en daños a la propiedad.

SI TIENE ALGUNA DUDA O ALGÚN COMENTARIO SOBRE ÉSTA U OTRA HERRAMIENTA DeWALT, LLÁMENOS AL NÚMERO GRATUITO: **1-800-4-DeWALT (1-800-433-9258)**.



ADVERTENCIA: Para reducir el riesgo de lesiones, lea el manual de instrucciones.

Advertencias generales de seguridad para herramientas eléctricas




¡ADVERTENCIA: Lea todas las instrucciones antes de operar el producto. El incumplimiento con alguna de las instrucciones enumeradas más abajo puede resultar en descarga eléctrica, incendio y/o lesiones corporales serias.

GUARDE ESTAS INSTRUCCIONES

▲ ADVERTENCIA: SIGA TODOS LOS CÓDIGOS DE CABLEADO y conexiones eléctricas recomendadas para prevenir una descarga o electrocución.

Doble Aislamiento

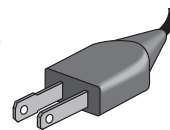
Si la sierra está construida con doble aislamiento, lea las siguientes instrucciones.

Este símbolo  representa una construcción con doble aislamiento. Las herramientas con doble aislamiento están construidas con dos capas separadas de aislamiento eléctrico o con una capa de aislamiento de doble grosor entre usted y el sistema eléctrico de la herramienta. Las herramientas construidas con este sistema de aislamiento, no están destinadas a ser conectadas a tierra. Como resultado, su herramienta está equipada con un enchufe de dos patas que le permite utilizar alargadores sin necesidad de mantener una conexión a tierra. Repare o cambie inmediatamente aquellos alargadores que estén dañados o desgastados.

NOTA: El doble aislamiento no elimina la necesidad de tomar las precauciones de seguridad cuando se opere esta herramienta. El sistema de aislamiento está destinado a brindar protección adicional en contra de lesiones que resulten de una falla en el aislamiento eléctrico dentro de la herramienta.

ENCHUFES POLARIZADOS

Para reducir el riesgo de descarga eléctrica, este equipo tiene un enchufe polarizado (una pata es más ancha que las otras). Está clavija se acoplará a un enchufe polarizado de una sola manera. Si la clavija no se acopla al contacto, inviértala. Si aún así no se ajusta, comuníquese con un electricista cualificado para que instale un enchufe polarizado apropiado. Nunca cambie la clavija.



Instrucciones Importantes de Seguridad

- **PARA REDUCIR EL RIESGO DE REBOTE Y DE OTRAS LESIONES,** utilice todos los componentes del sistema de protección (ensamble del protector de la hoja, cuchilla y ensamble anti-rebote) para todas las operaciones para las cuales puedan utilizarse, incluyendo el corte tangencial completo.
- **QUITE LAS LLAVES DE AJUSTE.** Hágase el hábito de comprobar que la herramienta no tenga ninguna llave de ajuste puesta antes de encenderla. Herramientas, partes de desecho y otros residuos pueden salir disparadas a alta velocidad, provocando lesiones.
- **MANTENGA LIMPIA EL ÁREA DE TRABAJO.** Las áreas y bancos de trabajo desordenadas aumentan el riesgo de lesiones.
- **NO UTILICE LA MAQUINA EN UN AMBIENTE PELIGROSO.** El uso de herramientas eléctricas en lugares húmedos o mojados o bajo la lluvia, puede provocar una descarga eléctrica o electrocución. Mantenga su área de trabajo bien iluminada para evitar interrumpir el paso o colocar los brazos, manos y dedos en situación de peligro.
- **MANTENGA ALEJADOS A LOS NIÑOS.** Toda visita debería mantenerse a una distancia segura del área de trabajo. Su taller es un ambiente potencialmente peligroso.
- **HAGA QUE SU TALLER SEA A PRUEBA DE NIÑOS,** para ello utilice candados o interruptores maestros o quite las llaves de arranque. El arranque no autorizado de una máquina por parte de un niño o visitante, puede provocar lesiones.
- **NO FUERCE LA HERRAMIENTA.** La máquina herramienta apropiada hará un trabajo mejor y más seguro si se usa de la forma para la cual fue diseñada.
- **USE LA HERRAMIENTA ADECUADA.** No fuerce la herramienta o el accesorio para realizar un trabajo para el que no están diseñados. El utilizar la herramienta o accesorio incorrectos puede ocasionar una lesión corporal.
- **NO PONGA EN PELIGRO SU ESTABILIDAD.** Mantenga un apoyo firme sobre el piso y conserve el equilibrio en todo momento. La pérdida de equilibrio puede ocasionar una lesión corporal. No intente recuperar materiales cerca de la hoja en el banco de aserrar mientras la hoja esté girando.
- **TENGA CUIDADO AL REALIZAR LAS LABORES DE MANTENIMIENTO.** Mantenga las hojas afiladas y limpias para un desempeño óptimo y más seguro. Siga las instrucciones para lubricar y cambiar los accesorios. El mal mantenimiento de las hojas y las máquinas puede dañar más la hoja o la máquina y causar lesiones.
- **USE LAS EXTENSIONES ADECUADAS.** Asegúrese de que su cable de extensión esté en buenas condiciones. Al usar una extensión, asegúrese de que sea lo bastante resistente para llevar la corriente que su producto requerirá. Una extensión de calibre insuficiente causará una caída en la línea de voltaje que resultará en sobrecalentamiento y pérdida de potencia. La tabla siguiente muestra el tamaño correcto a utilizar, dependiendo de la longitud del cable y del amperaje nominal de la placa de identificación. Si tiene dudas sobre cuál calibre usar, use un calibre mayor. Cuanto más pequeño sea el número del calibre, más resistente será el cable.

Calibre mínimo para cables de alimentación						
Amperaje		Voltios	Largo total del cordón en metros (pies)			
		120 V	7,6 (25)	15,2 (50)	30,5 (100)	45,7 (150)
		240 V	15,2 (50)	30,5 (100)	61,0 (200)	91,4 (300)
Más de	No más de	AWG				
0	6		18	16	16	14
6	10		18	16	14	12
10	12		16	16	14	12
12	16		14	12	No recomendado	

- **USE ROPA ADECUADA.** No lleve ropa suelta, guantes, corbatas, anillos, pulseras u otras joyas que podrían engancharse en las piezas móviles. Se recomienda el uso de calzado antideslizante. Cúbrase y recójase el pelo si lo tiene largo.
- **USE SIEMPRE LENTES DE SEGURIDAD.** Utilice también careta o mascarilla si en la operación se produce polvo. Los anteojos de uso diario solo tienen lentes resistentes a golpes, NO son anteojos de seguridad.
- **TRABAJE CON SEGURIDAD.** Utilice abrazaderas o tornillos para sujetar la pieza de trabajo cuando sea práctico (por ejemplo cuando use una pieza o placa de garganta sin ningún espacio libre). Es más seguro, y así podrá utilizar ambas manos para manejar la herramienta.
- **APAGUE LA MAQUINA Y DESCONÉCTELA DE LA ALIMENTACIÓN DE CORRIENTE** antes de instalar o cambiar accesorios, antes de fijar o cambiar los ajustes, o cuando esté haciendo reparaciones o cambiando de lugar. No toque las patas de metal del enchufe cuando desconecte o conecte el cable. Un encendido accidental puede provocar lesiones.
- **REDUZCA EL RIESGO DE PUESTAS EN MARCHA ACCIDENTALES.** Asegúrese de que el conmutador esté apagado antes de enchufar el cable de alimentación eléctrica. En caso de que la alimentación eléctrica falle, mueva el conmutador a la posición de "OFF". Un encendido accidental puede provocar lesiones.
- No enchufe la herramienta a la fuente de alimentación ni la desenchufe con las manos mojadas.
- **UTILICE LOS ACCESORIOS RECOMENDADOS.** Use sólo los accesorios recomendados por el fabricante para su modelo. Un mismo accesorio puede ser adecuado para una herramienta, pero puede crear riesgo de lesiones si se usa en otra. Consulte el manual de instrucciones para conocer los accesorios recomendados. El uso de accesorios no debidos puede producir un riesgo de lesiones corporales.
- Los accesorios magnéticos no funcionan con esta sierra.
- **NO SE PARE NI SE SIENTE NUNCA ENCIMA DE LA HERRAMIENTA.** Podría sufrir graves lesiones si se inclina la herramienta o si la herramienta de corte se toca sin querer.
- **REVISE LAS PIEZAS DAÑADAS.** Antes de utilizar esta herramienta, revise cuidadosamente los protectores o piezas dañadas para determinar si la herramienta podrá funcionar debidamente y realizar la función para la cual fue diseñada – revise las piezas móviles para confirmar su alineación, que no estén trabadas, partidas, que estén bien instaladas y cualquier otra condición que pueda afectar su operación. Cualquier protector o pieza dañada debe repararse debidamente o cambiarse. No use la herramienta si el conmutador no puede encenderla y apagarla. Las piezas dañadas pueden provocar daños a la maquina y/o lesiones corporales.
- **DIRECCIÓN DE ALIMENTACIÓN.** Alimente la pieza de trabajo a la hoja o cuchilla solo en la dirección contraria a la rotación de la hoja o cuchilla. No se pueden hacer cortes cóncavos ni a mano alzada.
- Compruebe que la distancia de salida detrás de la sierra sea adecuada para asegurarse de que los materiales puedan pasar sin obstruirse a través del corte. Las mesas de apoyo de las piezas de trabajo deben colocarse en lugares adecuados para apoyar totalmente el material.
- **JAMÁS DEJE SIN SUPERVISIÓN UNA HERRAMIENTA EN FUNCIONAMIENTO. APAGUE LA HERRAMIENTA.** No deje la herramienta hasta que no se haya detenido completamente. Podría resultar en lesiones graves.
- **NO OPERE HERRAMIENTAS ELÉCTRICAS CERCA DE LÍQUIDOS INFLAMABLES O EN ATMÓSFERAS GASEOSAS O EXPLOSIVAS.** Los motores y conmutadores de estas herramientas pueden producir chispas y encender vapores.
- **MANTÉNGASE ALERTA, FÍJESE EN LO QUE ESTÁ HACIENDO Y UTILICE SU SENTIDO COMÚN. NO UTILICE UNA MÁQUINA SI ESTÁ CANSADO O BAJO LA INFLUENCIA DE DROGAS, ALCOHOL O MEDICAMENTOS.** Mientras se utilizan herramientas eléctricas, basta un instante de distracción para sufrir lesiones graves.

- **NO PERMITA QUE LA FAMILIARIDAD (que haya adquirido con el uso frecuente de la sierra) SUSTITUYA A LAS REGLAS DE SEGURIDAD.** Recuerde siempre que una fracción de segundo de descuido es suficiente para ocasionar una herida grave. Tenga especial cuidado y manténgase alerta cuando haga cortes repetitivos. Apague la sierra frecuentemente para limpiar el serrín y comprobar los ajustes para reducir la monotonía.

Reglas de Seguridad Adicionales para Sierras de Banco

- **EVITE POSICIONES INCOMODAS,** en las que un resbalón repentino podría provocar que una mano caiga en la hoja de la sierra.
- No trate de recuperar materiales que estén cerca de la hoja sobre la mesa de aserrar mientras la hoja está girando.
- **NUNCA PONGA LAS MANOS DETRÁS O ALREDEDOR DEL DISCO DE CORTE,** con ninguna de sus manos, para sostener la pieza de trabajo.
- **MANTENGA SUS BRAZOS, MANOS Y DEDOS ALEJADOS** de la hoja para prevenir lesiones graves.
- **USE UN EMPUJADOR QUE SEA APROPIADO PARA LA APLICACIÓN PARA EMPUJAR LAS PIEZAS DE TRABAJO A TRAVÉS DE LA SIERRA.** Un empujador es una vara de madera o plástico, con frecuencia hecha en casa, que debe usarse siempre que el tamaño o la forma de la pieza de trabajo haga que tenga que colocar las manos a 152 mm (6 pulg.) de la hoja.
- **UTILICE SUJECIONES, GUÍAS, SOPORTES O REJILLAS PARA AYUDAR A GUIAR Y CONTROLAR LA PIEZA DE TRABAJO.** Los accesorios recomendados para su herramienta están disponibles por un cargo adicional en su distribuidor local o en el centro de servicio autorizado. Las instrucciones para fabricar una vara de empuje, una guía auxiliar para ranuras delgadas, un bloque de empuje y rejillas, están incluidas en este manual.
- **NO REALICE NINGÚN RANURADO, CORTES CRUZADOS O CUALQUIER OTRA OPERACIÓN A MANO ALZADA.**
- **NUNCA** pase la mano alrededor de o sobre la hoja de sierra.
- **ESTABILIDAD** Asegúrese que la sierra de banco este firmemente montada a una superficie estable y que no se mueva, antes de usarla.
- **JAMÁS CORTE METALES, PLACAS DE FIBROCEMENTO O MAMPOSTERÍA.** Ciertos materiales hechos a mano, tienen instrucciones especiales para ser cortados en sierras de banco. Siga las recomendaciones del fabricante en todo momento. Puede dañar la sierra y producir lesiones corporales.
- **LA PLACA DE GARGANTA CORRECTA DEBE ESTAR COLOCADA EN SU SITIO EN TODO MOMENTO** para reducir el riesgo de una pieza de trabajo lanzada y lesiones corporales.
- **USE LA HOJA DE SIERRA CORRECTA PARA LA OPERACIÓN PARA LA CUAL FUE DISEÑADA.** La hoja debe rotar hacia la parte frontal de la sierra. Siempre apriete firmemente la tuerca del mandril de la hoja. Revise que la hoja no tenga agrietamientos o dientes faltantes antes de utilizarla. No utilice una hoja roma o dañada.
- **JAMÁS INTENTE LIBERAR UNA HOJA DE SIERRA ATASCADA, SIN ANTES APAGAR LA MAQUINA Y DESCONECTAR LA SIERRA DE LA ALIMENTACIÓN DE CORRIENTE.** Si una pieza de trabajo o residuo de corte queda atrapado en el interior del ensamble del protector de la hoja, apague la sierra y espere a que la hoja se detenga antes de levantar el ensamble de protección de la hoja y cambiar la pieza.
- **JAMÁS ARRANQUE LA MAQUINA,** con la pieza de trabajo en contra de las hojas para reducir el riesgo de una pieza de trabajo lanzada y lesiones corporales.
- **NO TENGA NINGUNA PARTE DEL CUERPO ALINEADA CON LA HOJA.** Pueden producirse lesiones corporales. Sitúese a uno de los lados de la hoja.

- **JAMÁS REALICE LA DIAGRAMACIÓN, ENSAMBLADO O AJUSTE DEL TRABAJO SOBRE** la banco/área de trabajo, cuando la máquina esté en funcionamiento. Un resbalón repentino puede provocar que una mano se mueva hacia la hoja. Podría resultar en lesiones graves.
- **ANTES DE DEJAR LA MAQUINA, LIMPIE LA BANCO/ÁREA DE TRABAJO.** Coloque el conmutador en la posición "OFF" y desconecte la sierra de la alimentación de corriente para prevenir su uso no autorizado.
- Bloquee **SIEMPRE** la guía y el ajuste de bisel antes de cortar.
- **NO deje una tabla larga (u otra pieza de trabajo) sin soporte, de tal forma que el resorte de la tabla provoque que cambie su posición sobre la banco, resultando así en una pérdida de control y posibles lesiones.** Suministrar un soporte apropiado para la pieza de trabajo, en base a su tamaño y al tipo de operación a ser realizado. Sujete firmemente el trabajo contra la guía y hacia abajo en contra de la superficie de la banco.
- **SI ESTA SIERRA** hace un ruido desconocido o si vibra excesivamente, deje de utilizarla inmediatamente, apáguela y desconéctela de la fuente de alimentación hasta que se haya identificado y corregido el problema. Contacte con un centro de servicio de fábrica de DEWALT, un centro de servicio autorizado de DEWALT u otro personal de servicio calificado si no puede identificarse el problema.
- **NO OPERE ESTA MAQUINA HASTA QUE ESTÉ COMPLETAMENTE ENSAMBLADA E INSTALADA DE ACUERDO A LAS INSTRUCCIONES.** Una máquina que ha sido ensamblada de manera incorrecta puede ocasionar lesiones graves.
- **NO** intente cortar una pila de piezas sueltas de material pues podría producirse una pérdida de control o rebote. Sujete bien todos los materiales.
- **INFORMACIÓN ADICIONAL** en relación a la seguridad y operación apropiada de las herramientas eléctricas (p.ej. un video de seguridad) está disponible a través del Instituto de Herramientas Eléctricas, 1300 Sumner Avenue, Cleveland, OH 44115-2851 (www.powertoolinstitute.com). También existe información disponible a través del Consejo de Seguridad Nacional, 1221 Spring Laek Drive, IL 60143-3201 Por favor refiérase al U.S. Departamento of Labor OSHA 1910.213 Regulaciones.

TÉRMINOS: LOS SIGUIENTES TÉRMINOS SERÁN USADOS A LO LARGO DEL MANUAL Y USTED DEBE ESTAR FAMILIARIZADO CON ELLOS.

- **Corte tangencial** se refiere a cualquier corte completo hecho a todo lo largo de la pieza de trabajo.
- **Corte no tangencial** se refiere a cualquier corte que no se realiza completamente a todo lo largo de la pieza de trabajo.
- **Vara de Empuje** se refiere a una vara de madera o plástico, usualmente de fabricación casera, utilizada para empujar una pieza de trabajo pequeña a través de la sierra y mantener las manos del operador fuera del alcance de la hoja.
- **Rebote**, ocurre cuando la hoja de la sierra traba el corte y violentamente lanza la pieza de trabajo hacia el operador.
- **A mano alzada**, se refiere al corte sin usar una escuadra de inglete o una guía o cualquier otro medio de guía o sujeción de la pieza de trabajo distinta a la mano del operador.
⚠ **ADVERTENCIA:** Jamás realice un corte a mano alzada.
- **Corte de inmersión** se refiere a cortar cuando la pieza de trabajo se baja hasta la hoja y el usuario la controla con sus manos o el usuario apoya la pieza de trabajo con las manos en la superficie de la mesa y luego se levanta la hoja a través de la pieza de trabajo.
⚠ **ADVERTENCIA:** No realice nunca cortes de inmersión con esta sierra.
- **Reaserrar** - Dar vuelta al material para realizar un corte que la sierra no puede hacer de una pasada.
⚠ **ADVERTENCIA: NO SE** recomienda reaserrar.
- **Salida** - La distancia detrás de la sierra necesaria para pasar el material totalmente a través del corte.

UNIDAD DEL PROTECTOR DE HOJA DE LA SIERRA, UNIDAD DE ANTI-REBOTE Y CUCHILLO DIVISOR

Esta sierra de banco está equipada con una unidad de protector de hoja con placa abridora y unidad anti-rebote que cubre la hoja y reduce la posibilidad de contacto accidental con la misma. Se proporciona también un cuchillo divisor para aserrar parcialmente al realizar cortes no completos. El cuchillo divisor y la placa abridora son placas planas que caben en el corte hecho por la hoja de la sierra y protegen eficazmente contra los rebotes disminuyendo la tendencia de la hoja a atascarse en el corte. **La unidad del protector de la hoja y la unidad anti-rebote pueden usarse solamente cuando se realizan cortes completos que separan la madera. Al realizar rebajes y otros cortes no completos, la unidad del protector de la hoja y la unidad de anti-rebote deben sacarse e instalar el cuchillo divisor suministrado para aserrar parcialmente.** Dos seguros anti-rebote están ubicados a los lados de la cuchilla que permiten a la madera pasar a través de la hoja en la dirección del corte, pero reducen la posibilidad de que el material sea lanzado de vuelta hacia el operador. Utilice todos los componentes del sistema de protección (ensamble del protector de la hoja, cuchilla y ensamble anti-rebote) para todas las operaciones para las cuales puedan utilizarse, incluyendo el corte tangencial completo. Si usted elige no usar alguno de estos componentes para una aplicación en particular, debe tomar precauciones adicionales en relación al control de la pieza de trabajo, el uso de varas de empuje, la posición de sus manos en relación a la hoja, el uso de gafas de seguridad, los medios para evitar el rebote y todas las demás advertencias contenidas en este manual y sobre la sierra misma. **Cambie los sistemas de protección tan pronto reinicie las operaciones de corte tangencial.** Mantenga el ensamble protector en buenas condiciones de funcionamiento.

FABRICANDO UNA VARA DE EMPUJE (Adentro de la Cubierta Interior Posterior)

- Para utilizar esta sierra de banco con seguridad debe usar un empujador siempre que el tamaño o la forma de la pieza de trabajo haga que tenga que colocar las manos a 152 mm (6 pulg.) de la hoja de la sierra o de otro accesorio de corte. Se incluye un empujador con esta sierra.
- No se necesita ninguna madera especial para fabricar varas de empuje adicionales, siempre y cuando sea maciza y lo suficientemente larga. Se recomienda una longitud de 400 mm (15,7 pulg.) con una muesca que se ajuste al borde de la pieza de trabajo para prevenir que resbale. Es una buena idea tener varias varas de empuje de la misma longitud (400 mm [15,7 pulg.]) con muescas de diferentes tamaños para piezas de trabajo de diferentes espesores.
- Véase el dibujo de una vara de empuje en la cubierta interior posterior. La forma puede variar para satisfacer sus necesidades, siempre y cuando realice su función de mantener sus manos alejadas de la hoja.

REBOTES

Los rebotes puede provocar lesiones graves. Un rebote ocurre cuando una parte de la pieza de trabajo se traba entre la hoja de sierra y la guía u otro objeto fijo y es lanzada desde la banco hacia el operador. Los rebotes se pueden evitar prestando atención a las siguientes condiciones.

Cómo evitarlos y Protegerse de Posibles Lesiones

- Utilice el protector de la hoja con la placa abridora o use el cuchillo divisor siempre que sea posible.
- Verifique que la guía para cortes longitudinales esté paralela a la hoja de la sierra.
- No asierre a lo largo aplicando la fuerza de alimentación a la sección de la pieza de trabajo que vaya a separarse. La fuerza de alimentación al aserrar a lo largo debe aplicarse siempre entre la hoja de la sierra y la guía; utilice un empujador para piezas de trabajo estrechas, de 152 mm (6 pulg.) de anchura o menos.
- Mantenga la unidad del protector de la hoja de la sierra, el cuchillo divisor y la unidad anti-rebote en su sitio y asegúrese de que funcionen bien. Si la unidad anti-rebote no

funciona adecuadamente, devuelva la herramienta al centro de servicio autorizado DEWALT más cercano para que sea reparada. La placa abridora y el cuchillo divisor deben estar alineados con la hoja de la sierra y la unidad anti-rebote debe parar un rebote una vez que haya iniciado. Compruebe su funcionamiento antes de aserrar a lo largo empujando la madera por debajo de la unidad anti-rebote. Los dientes deben evitar que se tire de la madera hacia la parte delantera de la sierra.

- e. Pueden cortarse con esta sierra materiales de plástico y compuestos (como pisos laminados). Sin embargo, debido a que estos materiales son usualmente bastante duros y resbalosos, puede que los seguros anti-rebote no detengan un rebote. Por lo tanto, usted debe ser especialmente cuidadoso en seguir los procedimientos de ajuste y corte adecuados para el ranurado.
- f. Utilice el ensamble protector de la hoja de sierra, el ensamble anti-rebote y la cuchilla en toda operación para la cual puedan ser usados, incluyendo corte tangencial.
- g. Empuje la pieza de trabajo más allá de la hoja de sierra antes de liberarla.
- h. **JAMÁS** ranure una pieza de trabajo que este torcida o deformada o que no tenga un borde recto que pueda deslizarse a lo largo de la guía.
- i. **JAMÁS** corte una pieza de trabajo grande que no pueda ser controlada.
- j. **JAMÁS** use la guía como un tope de longitud cuando realice cortes cruzados.
- k. **JAMÁS** corte una pieza de trabajo con nudos, defectos, clavos u otros objetos extraños.
- l. **JAMÁS** ranure una pieza de trabajo más corta que 254 mm (10 pulg.).
- m. **JAMÁS** utilice una hoja roma – cámbiela o llévela a afilar.

⚠ADVERTENCIA: Use **SIEMPRE** lentes de seguridad. Los anteojos de diario **NO SON** lentes de seguridad. Utilice además una cubrebocas o mascarilla antipolvo si la operación de corte genera demasiado polvo. **SIEMPRE LLEVE EQUIPO DE SEGURIDAD CERTIFICADO:**

- Protección ocular ANSI Z87.1 (CAN/CSA Z94.3),
- Protección auditiva ANSI S12.6 (S3.19),
- Protección respiratoria NIOSH/OSHA/MSHA.

⚠ADVERTENCIA: Algunas partículas de polvo generadas al lijar, serrar, esmerilar y taladrar con herramientas eléctricas, así como al realizar otras actividades de construcción, contienen químicos que el Estado de California sabe que pueden producir cáncer, defectos congénitos u otras afecciones reproductivas. Ejemplos de estos químicos son:

- plomo de algunas pinturas en base a plomo,
- polvo de sílice proveniente de ladrillos y cemento y otros productos de albañilería, y
- arsénico y cromo provenientes de madera tratada químicamente.

Su riesgo de exposición a estos químicos varía, dependiendo de la frecuencia con la cual realiza usted este tipo de trabajo. Para reducir su exposición a estas sustancias químicas: trabaje en una zona bien ventilada y llevando equipos de seguridad aprobados, como mascarillas antipolvo especialmente diseñadas para filtrar partículas microscópicas.

- **Evite el contacto prolongado con polvo generado por el lijado, aserrado, pulido, taladrado y otras actividades de construcción. Vista ropas protectoras y lave las áreas de la piel expuestas con agua y jabón.** Si permite que el polvo se introduzca en la boca u ojos o quede sobre la piel, puede favorecer la absorción de productos químicos peligrosos.

⚠ADVERTENCIA: La utilización de esta herramienta puede generar polvo o dispersarlo, lo que podría causar daños graves y permanentes al sistema respiratorio, así como otras lesiones. Siempre use protección respiratoria aprobada por NIOSH (Instituto Nacional de Seguridad y Salud en el Trabajo) u OSHA (Administración de Seguridad y Salud en el Trabajo) apropiada para la exposición al polvo. Dirija las partículas en dirección contraria a la cara y el cuerpo.

GUARDE ESTAS INSTRUCCIONES PARA FUTURAS CONSULTAS

ESPECIFICACIONES

Amperios	15 A
Tamaño de la Banco	556 mm (21-7/8 pulg.) X 669 mm (26-3/8 pulg.)
Ángulo de Inglete	30° D e I
Ángulo de Bisel	0° a 45°L
Tamaño de la Hoja	254 mm (10 pulg.)
Máx. Profundidad de Corte, Bisel de 0°	79 mm (3-1/8 pulg.)
Máx. Profundidad de Corte, Bisel de 45°	57 mm (2-1/4 pulg.)
RPM, sin carga	4800

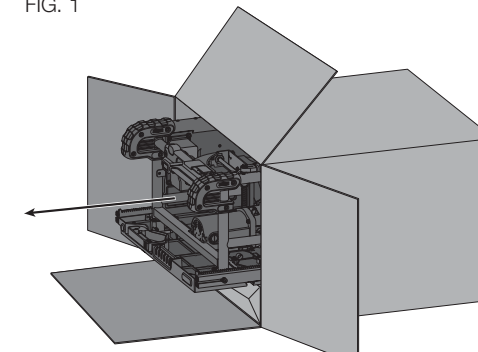
Desembalaje (Fig. 1)

⚠ADVERTENCIA: Para reducir el riesgo de lesión, **NO** conecte la máquina a la fuente de alimentación hasta que la sierra de banco esté completamente ensamblada y haya leído el manual de instrucciones completo.

Abra la caja y deslice la sierra hacia afuera, como lo muestra la Figura 1.

Cuidadosamente desembale la sierra de banco y todos sus artículos sueltos fuera del cartón. Examine todas las piezas para asegurarse que no han sido dañadas durante el envío. Si alguna pieza falta o está dañada, contacte a su distribuidor o cámbiela antes de intentar ensamblar la herramienta.

FIG. 1



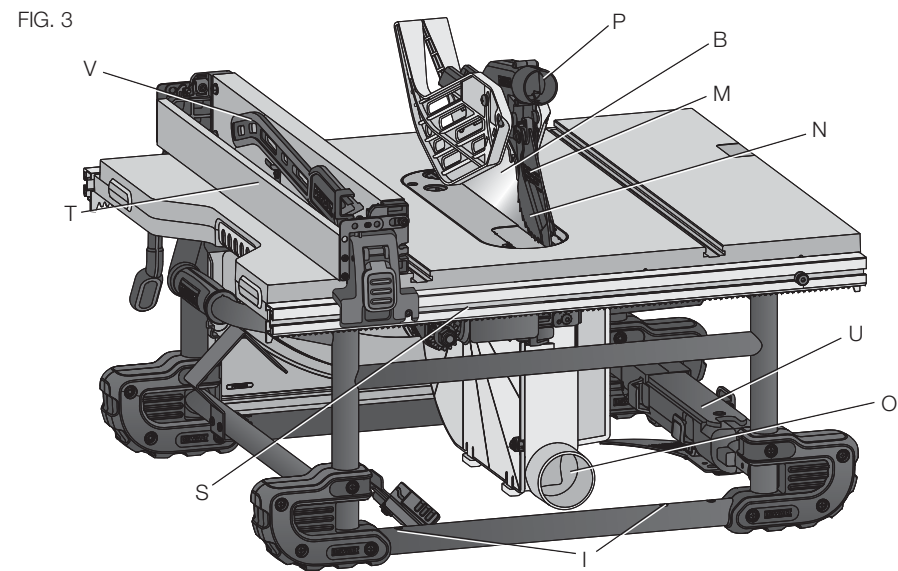
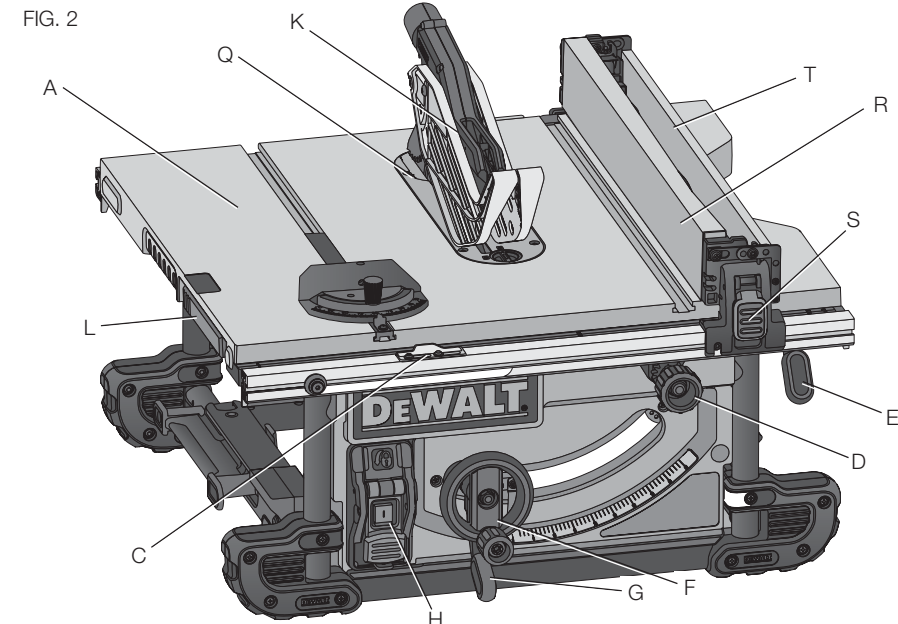
COMPONENTES (Fig. 2, 3)

⚠ADVERTENCIA: Nunca modifique la herramienta eléctrica, ni tampoco ninguna de sus piezas. Podría producir lesiones corporales o daños.

Examine las Figuras 2 y 3 para familiarizarse con la sierra y sus distintas partes. Las siguientes secciones sobre el ensamblaje y los ajustes se referirán a estos términos y usted debe saber cuáles son las partes y dónde se ubican.

- A. Mesa
- B. Hoja
- C. Indicador de escala para cortes longitudinales
- D. Pomo de ajuste
- E. Palanca de bloqueo de riel
- F. Rueda de ajuste de altura de la hoja
- G. Palanca de bloqueo de bisel
- H. Interruptor de encendido/apagado
- I. Orificios de montaje
- J. Indicador de ángulo para cortes ingleteados
- K. Unidad del protector de la hoja
- L. Cuchillo divisor/palanca de liberación del protector de la hoja
- M. Placa abridora
- N. Unidad anti-rebote
- O. Orificio para recolección de polvo
- P. Protector del orificio para recolección de polvo
- Q. Placa de garganta
- R. Guía para cortes longitudinales

- S. Seguro de la guía para cortes longitudinales
- T. Soporte de pieza de trabajo/guía estrecha para cortes longitudinales (mostrados en posición de almacenamiento)
- U. Llaves para hoja (Posición de almacenamiento)
- V. Empujador (Posición de almacenamiento)
- W. Cuchillo divisor (aserrado parcial) (FIG. 24)



USO DEBIDO

Esta sierra de banco está diseñada para aplicaciones profesionales de aserrado a lo largo, tronzado, ingleteado, biselado y corte no completo, como el ranurado, con varios materiales. **NO** debe usarse para cortar metal, paneles de cemento o mampostería. **NO** debe usarse en condiciones húmedas ni en presencia de líquidos o gases inflamables. **NO** permita que los niños toquen la herramienta. Si el operador no tiene experiencia utilizando esta herramienta, deberá ser supervisado.

MONTAJE

⚠ ADVERTENCIA: Riesgo de descarga eléctrica. Para reducir el riesgo de lesión personal grave, apague la máquina y desconéctela de la fuente de alimentación antes de intentar moverla, cambiar accesorios o realizar ajustes. La puesta en marcha accidental puede causar lesiones.

ESTA SIERRA DEBE SER ENSAMBLADA SIGUIENDO ESTE ORDEN: (FIG. 2, 4)

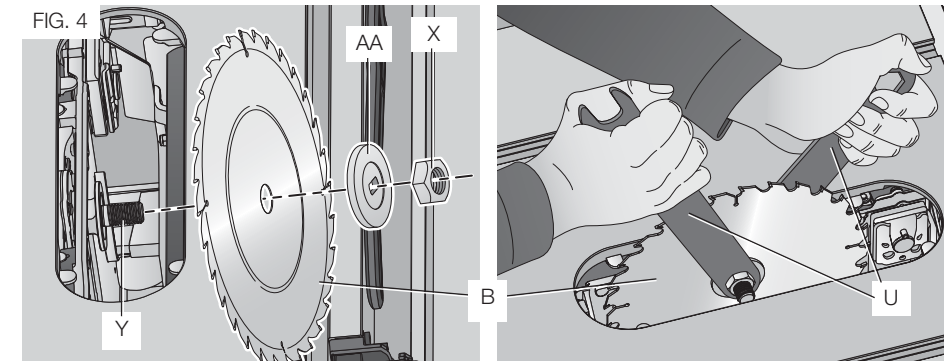
1. Asegúrese de que la hoja esté instalada correctamente y la tuerca del eje esté apretada. Use las llaves (U) almacenadas en la herramienta. Consulte la Figura 3.
2. Instale la placa de garganta (Q) y bloquéela. **(NOTA: Ajuste los tornillos de nivelado antes de continuar. Consulte *Para ensamblar la placa de garganta*).**
3. Fije la guía para cortes longitudinales (R). **(NOTA: Ajuste la escala para cortes longitudinales antes de continuar. Consulte *Ajuste de la escala para cortes longitudinales*).**
4. Posicione la unidad del protector de la hoja.
5. Instale la unidad anti-rebote en la unidad del protector.

NOTA: Para instalar esta sierra de banco a un soporte, siga las instrucciones incluidas con la unidad del soporte.

Entre las herramientas necesarias para el ensamblaje se incluyen las llaves suministradas con la sierra.

INSTALACIÓN/CAMBIO DE LA HOJA (FIG. 2, 4)

1. Levante el eje de la hoja de la sierra hasta su altura máxima girando la rueda de ajuste de altura de la hoja (F) en sentido horario.
2. Saque la tuerca del eje (X) y la brida (AA) de la sierra girando en sentido antihorario.



3. Ponga la hoja de la sierra en el husillo (Y) asegurándose de que los dientes de la hoja (B) apunten hacia abajo en la parte delantera de la mesa. Ensamble la brida y la tuerca del eje al husillo y apriete la tuerca del eje (X) lo más posible con la mano, asegurándose de que la hoja de la sierra esté contra la arandela interior y que los diámetros de la brida grande (AA) estén contra la hoja. Compruebe que el diámetro mayor de la brida esté contra la hoja. Compruebe que el husillo y la brida no tengan polvo y residuos.

4. Para evitar que el husillo gire al apretar la tuerca del eje, use el extremo abierto de la llave (U) para fijar el husillo.
5. Utilizando la llave de eje, apriete la tuerca de eje (X) girándola en sentido horario.
6. **NOTA:** Distintos tipos de hoja hacen distintos cortes (anchura de cortes). Por lo tanto, es necesario comprobar el ajuste de la escala de cortes longitudinales al cambiar las hojas. La hoja de repuesto no DEBE exceder el grosor indicado en el cuchillo divisor. El cuchillo divisor suministrado con la sierra tiene 2,2 mm de grosor.

POSICIONAMIENTO DE LA UNIDAD DEL PROTECTOR DE LA HOJA/CUCHILLO DIVISOR (FIG. 5, 6)

Para posicionar la unidad del protector de la hoja:

⚠ ADVERTENCIA: Use la unidad del protector de la hoja para aserrar realizando cortes completos.

1. Levante el eje de la hoja de sierra hasta su altura máxima.
2. Instale la unidad del protector de la hoja tirando de la palanca de liberación del cuchillo divisor/protector (L) e introduciendo la placa abridora (M) hasta que toque fondo.
3. Libere la palanca, asegúrese de que las placas de fijación estén totalmente cerradas y la placa abridora esté sujeta bien. **NOTA:** Tire de la unidad del protector de la hoja/cuchillo divisor para asegurarse de que esté bloqueado en su sitio.

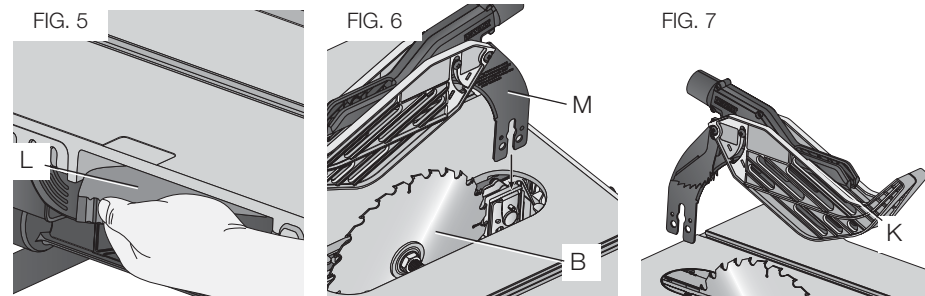
ADVERTENCIA: Use el cuchillo divisor para aserrar sin cortar por completo cuando no pueda usarse la unidad del protector de la hoja.

NOTA: Siga los pasos 1 a 3 para instalar el cuchillo divisor (W) de la misma forma que la unidad del protector de la hoja, consulte la figura 24.

⚠ ADVERTENCIA: Antes de conectar la sierra de banco a la fuente de alimentación o de utilizar la sierra, inspeccione siempre la unidad del protector de la hoja y el cuchillo divisor para verificar un alineamiento y espacio adecuados con la hoja de la sierra. Compruebe el alineamiento después de cada cambio del ángulo de bisel.

⚠ ADVERTENCIA: Para reducir el riesgo de lesión corporal grave, NO utilice la sierra si el cuchillo divisor o la unidad del protector de la hoja no están bien fijados en su sitio.

Cuando están alineados adecuadamente, la unidad del protector de la hoja/el cuchillo divisor estarán alineados con la hoja en el nivel superior de la mesa y en la parte superior de la hoja. Use un borde recto, asegúrese de que la hoja (B) esté alineada con el cuchillo divisor (W) o la placa abridora (M). Con la electricidad desconectada, ponga en funcionamiento los ajustes de inclinación y altura a través de los extremos de viaje y asegúrese de que la unidad del protector de la hoja despeje la hoja en todas las operaciones y que la unidad anti-rebote esté funcionando.

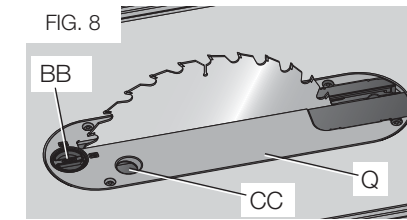


Para sacar la unidad del protector de la hoja/cuchillo divisor (Fig. 5, 7)

1. Tire de la palanca de liberación del cuchillo divisor/protector (L).
2. Levante la unidad del protector de la hoja (K)/cuchillo divisor (W).

ENSAMBLAJE DE LA PLACA DE GARGANTA (FIG. 8)

1. Alinee la placa de garganta como lo muestra la Figura 8 e inserte las lengüetas de la parte posterior de la placa de garganta en los orificios en la parte posterior de la abertura de la banco.
2. Gire la leva en el sentido contrario a las manillas del reloj hasta que la parte frontal de la placa de garganta se acople en su sitio. Fije el ensamblaje rotando 1/4 de vuelta (cuando el seguro de la leva está bajo la banco sosteniendo la placa de garganta en su sitio) la perilla de bloqueo de la leva (BB) en el mismo sentido de las manillas del reloj.
3. La placa de garganta incluye cuatro tornillos de ajuste que levantan o bajan la placa de garganta. Cuando se ajusta correctamente, la parte frontal de la placa de garganta debe quedar nivelada o ligeramente por debajo de la superficie superior del banco y fijado en su sitio. La parte posterior de la placa de garganta debe quedar nivelada o ligeramente por encima de la parte superior de la banco.



SACAR LA PLACA DE GARGANTA

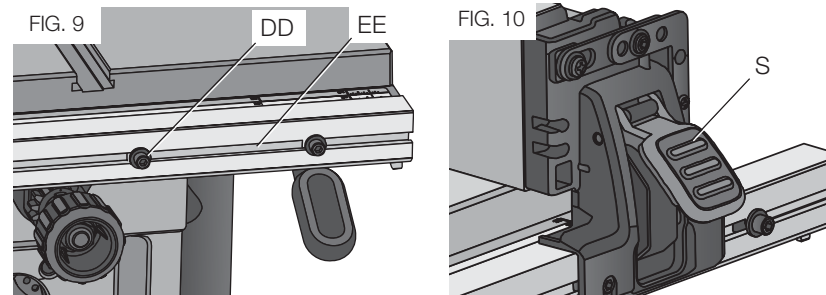
1. Saque la placa de garganta (Q) girando el pomo de bloqueo de leva (BB) 1/4 de vuelta en sentido antihorario.
2. Usando el agujero para el dedo (CC) en la placa, tire de la placa de garganta hacia arriba y hacia adelante para exponer la parte interior de la sierra. **NO** utilice la sierra sin la placa de garganta. Si usa la hoja de ranura, utilice la placa de garganta de ranura adecuada (se vende por separado).

⚠ ADVERTENCIA: Para reducir el riesgo de lesión corporal grave, la placa de garganta debe estar bloqueada en todo momento.

DWE7490 - MONTAJE DE LA GUÍA PARA CORTES LONGITUDINALES (FIG. 9, 10)

La guía para cortes longitudinales puede instalarse en dos posiciones a la derecha (Posición 1 para el corte de 0 a 24,5 pulg. y la Posición 2 para el corte de 4 pulg a 28,5 pulg.) y una posición a la izquierda en su sierra de banco.

1. Alinee el pasador posicionador (DD) en el riel de la guía con la ranura de la cabeza de la guía y alinee el seguro (S) con la abertura (EE).
2. Fije la guía para cortes longitudinales encajando los seguros en los rieles como se muestra en la Figura 9. Asegúrese de encajar en su sitio los seguros delanteros y traseros (S).

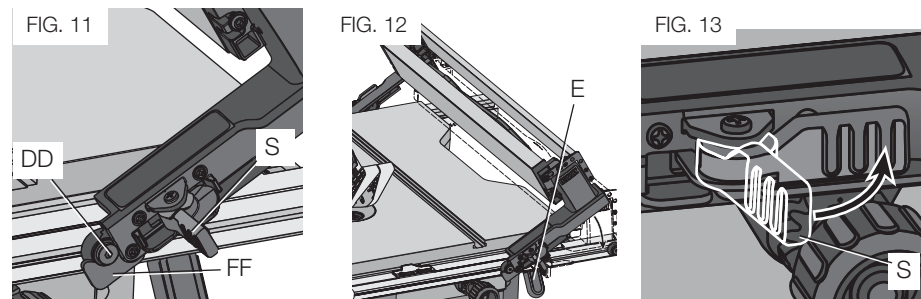


DWE7491 - MONTAJE DE LA GUÍA PARA CORTES LONGITUDINALES (FIG. 11-13)

La guía para cortes longitudinales puede instalarse en dos posiciones a la derecha (posición 1 para el corte de 0 a 24,5 pulg. y la posición 2 para el corte de 8 pulg a 32,5 pulg.) y una posición a la izquierda de esta sierra.

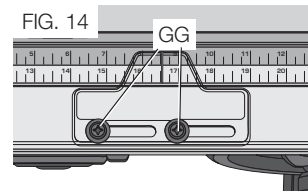
1. Desbloquee los seguros de la guía (S).

2. Sujetando la guía en un ángulo, alinee los pasadores posicionadores (delantero y trasero) (DD) de los rieles de la guía con las ranuras del cabezal de la guía (FF) como se muestra en la Figura 11.
3. Deslice las ranuras del cabezal en los pasadores y gire la guía hacia abajo hasta que descansa en los rieles.
4. Bloquee la guía en su sitio cerrando los seguros delantero y trasero (S) en los rieles.



AJUSTE DE LA ESCALA PARA CORTES LONGITUDINALES (FIG. 12, 14)

1. Desbloquee la palanca de bloqueo del riel (E).
2. Fije la hoja a un bisel de 0¼ y mueva la guía hacia adentro hasta que toque la hoja.
3. Bloquee la palanca de bloqueo del riel.
4. Afloje los tornillos del indicador de la escala para cortes longitudinales (GG) y fije el indicador para que marque cero (0). Vuelva a apretar los tornillos del indicador de la escala para cortes longitudinales. La escala amarilla para cortes longitudinales (superior) marca correctamente solo cuando la guía está montada en la parte derecha de la hoja y está en la posición 1 (para un corte de 0 a 24,5 pulg.) [no en la posición de corte de 32"]. La escala blanca (inferior) marca correctamente solo cuando la guía está montada en el lado derecho de la hoja y en la posición 2 (para un corte de 4 a 32,5 pulg.). **NOTA:** Para la DWE7491 la escala blanca (inferior) marca correctamente solo cuando la guía está montada en el lado derecho de la hoja y en la posición 2 (para un corte de 8 a 28,5 pulg.).



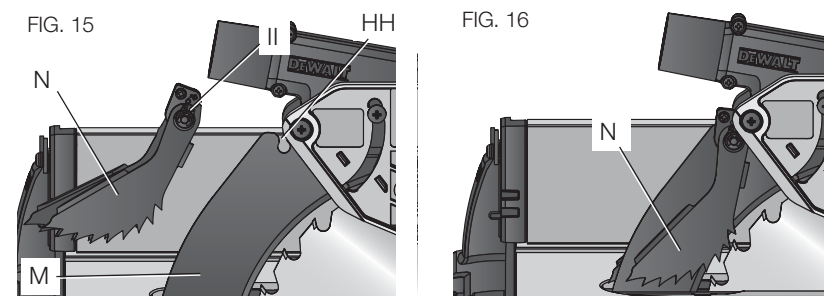
Escala métrica a disposición pagando un coste adicional. Para más información, véase **Accesorios**.

UNIDAD ANTI-REBOTE (FIG. 15, 16)

⚠ ADVERTENCIA: Para reducir el riesgo de lesión corporal grave, la unidad anti-rebote debe estar en su sitio para todos los posibles cortes.

1. Saque la unidad anti-rebote (N) de la posición de almacenamiento. Consulte la sección **Almacenamiento**.
2. Localice la ranura de montaje anti-rebote (HH) en la parte de arriba de la placa abridora (M).
3. Alinee el vástago (II) con la ranura de montaje. Presione el vástago (II) y empuje hacia abajo en la unidad anti-rebote (N) hasta que encaje y quede bloqueado en su sitio.
NOTA: Tire de la unidad anti-rebote para asegurarse de que se haya bloqueado en su sitio.
4. Para sacar la unidad anti-rebote, presione el vástago y tire hacia arriba y hacia afuera de la ranura de montaje.

Con la electricidad desconectada, ponga en funcionamiento los ajustes de inclinación y altura a través de los extremos de viaje y asegúrese de que la unidad del protector de la hoja despeje la hoja en todas las operaciones y que la unidad anti-rebote esté funcionando.



Montaje en banco

⚠ ADVERTENCIA: Antes del montaje en un banco o un soporte, para reducir el riesgo de lesión personal grave, apague la máquina y desconéctela de la fuente de alimentación antes de intentar moverla, cambiar accesorios o realizar ajustes. La puesta en marcha accidental puede causar lesiones.

⚠ ATENCIÓN: Para reducir el riesgo de lesión corporal, asegúrese de que la sierra de banco esté firmemente montada en una superficie estable o en un soporte suministrado antes del uso.

⚠ ATENCIÓN: Asegúrese de que la superficie sea lo bastante estable como para que las piezas grandes de material no hagan que se vuelque durante el uso.

La sierra de banco debe montarse firmemente. **La superficie de montaje debe tener una abertura de 38 por 38 cm (15 por 15 pulg.) para permitir que salga el polvo.**

Se proporcionan cuatro orificios (I) en la base de la herramienta para el montaje. Recomendamos con insistencia que estos orificios se utilicen para sujetar la sierra de banco a su banco de trabajo o a otra estructura rígida estacionaria.

1. Centre la sierra en una pieza cuadrada de contrachapado de 12,7 mm (1/2 pulg.). El contrachapado debe tener una abertura de 38 por 38 cm (15 por 15 pulg.) para permitir que salga el polvo.
2. Marque las posiciones de los dos orificios de montaje posteriores (espaciados a una distancia de 220 mm [8-5/8 pulg.]) en el marco de la sierra con un lápiz. Luego mida hacia adelante 498,5 mm (19-5/8 pulg.) de los dos orificios frontales.
3. Saque la sierra y taladre agujeros de 7,9 mm (5/16 pulg.) en los sitios que acaba de marcar.
4. Coloque la sierra por encima de los cuatro orificios que ha perforado en el contrachapado e introduzca cuatro tornillos de 6,4 mm (1/4 pulg.) DESDE LA PARTE INFERIOR. Instale las arandelas y las tuercas de 7,9 mm (5/16 pulg.) en la parte superior. Apriete bien.
5. Para evitar que las cabezas de los tornillos estropeen la superficie sobre la que fije la sierra, ponga dos tiras de madera de desecho en la parte inferior de la base de contrachapado. Estas tiras pueden fijarse con tornillos para madera instalados desde el lado superior siempre que no sobresalgan de la parte inferior de la tira.
6. Use una abrazadera en "C" para asegurar la base de contrachapado a su banco de trabajo siempre que use la sierra.

Conectar la sierra a la fuente de alimentación

⚠ ADVERTENCIA: Para reducir el riesgo de lesión, antes de conectar la sierra a la fuente de alimentación, asegúrese de que el interruptor esté en posición de apagado (OFF).

Compruebe que el suministro eléctrico concuerde con el indicado en la placa de características. CA SOLAMENTE significa que esta sierra funcionará solamente con corriente alterna. Una disminución de voltaje del 10 por ciento o más causará una pérdida de potencia y un sobrecalentamiento. Todas las herramientas DEWALT se someten a prueba en fábrica. Si esta herramienta no funciona bien, compruebe el suministro eléctrico.

AJUSTES

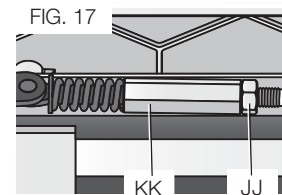
⚠ ADVERTENCIA: Para disminuir el riesgo de lesiones, apague la máquina y desconéctala del suministro eléctrico antes de instalar y quitar accesorios y antes de hacer ajustes, cambios de configuración o reparaciones. La puesta en marcha accidental puede causar lesiones.

NOTA: Esta sierra está completa y adecuadamente ajustada en la fábrica en el momento de la fabricación. Si fuera preciso volver a realizar un ajuste debido al transporte y manipulación, o a cualquier otro motivo, siga las secciones que aparecen a continuación para ajustar la sierra.

Una vez realizados estos ajustes deberá mantenerse su precisión. Tómese un poco de tiempo ahora para seguir estas instrucciones con cuidado para mantener la exactitud de lo que es capaz esta sierra.

AJUSTE DEL BLOQUEO DE RIEL (FIG. 2, 17) (Ajuste del sistema de sujeción de la guía)

1. Trabe la palanca de bloqueo de riel (E).
2. Afloje la tuerca en la parte inferior de la sierra (JJ).
3. Ajuste la varilla hexagonal (KK) hasta comprimir el resorte en el sistema de bloqueo y generar la tensión deseada en la palanca de bloqueo de riel. Vuelva a ajustar la tuerca de inmovilización contra la varilla hexagonal.
4. Compruebe que la valla no se mueve cuando la palanca de bloqueo está activado. Si la cerca es todavía floja, apriete la primavera más.



AJUSTE DE LA ESCALA DE RANURA

Ver **Ajuste de la Escala de Ranura** en **Ensamblaje**.

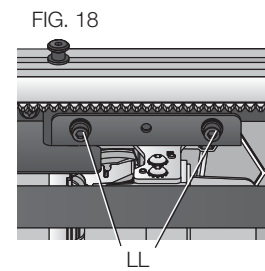
AJUSTE DE LA ALINEACIÓN DE LA HOJA (FIG. 18) (Hoja Paralela a Ranura DE Inglete)

⚠ ADVERTENCIA: Peligro de Corte. Revise la hoja a 0° y 45° para asegurarse que no pega contra la placa de garganta, provocando lesiones personales.

Si la hoja esta desalineada con la ranura de inglete en la parte superior de la banco, se requerirá de una calibración para su alineación. Para realinear la hoja y la ranura de inglete, utilice el siguiente procedimiento:

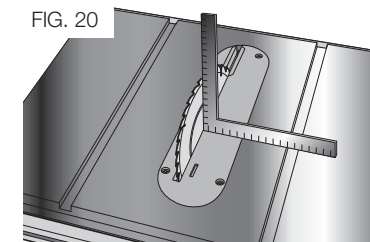
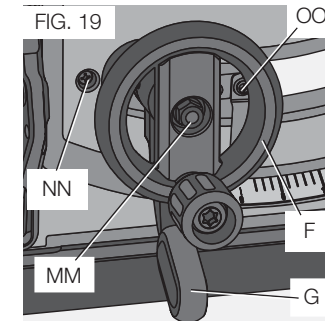
⚠ ADVERTENCIA: Para reducir el riesgo de lesiones, apague la unidad y desconecte la máquina de la alimentación de corriente antes de instalar y retirar accesorios, antes de fijar o cambiar ajustes o cuando realice reparaciones. Un encendido accidental puede provocar lesiones.

1. Utilizando una llave hexagonal de 6 mm, afloje las fijaciones del soporte de pivote trasero (LL) lo suficiente para permitir que el soporte se mueva de un lado a otro.
2. Ajuste el soporte hasta que la hoja este paralela a la ranura de la escuadra de inglete.
3. Apriete los sujetadores del soporte de pivote posterior hasta 12.5 a 13.6 Nm (10 a 120 lbs pies).



AJUSTE DEL TOPE E INDICADOR DE BISEL (FIG. 19, 20)

1. Levante completamente la hoja haciendo girar la rueda de ajuste de altura (F) de la hoja en el mismo sentido de las manillas del reloj hasta que se detenga.
2. Desbloquee la palanca de bloqueo de bisel (G) empujándola hacia arriba y a la derecha. Afloje el tornillo de tope de bisel (NN).
3. Coloque una escuadra plana entre la parte superior de la banco y la hoja, como lo muestra la Figura 20. Asegúrese que la palanca de bloque de bisel este en su posición de desbloqueo o levantada.
4. Utilizando la palanca de bloqueo de bisel, ajuste el ángulo de bisel hasta que sea plano contra la escuadra.
5. Apriete la palanca de bloqueo de bisel empujándola hacia abajo.
6. Gire la leva de tope de bisel (MM) hasta que haga contacto firme con el bloque de cojinete. Apriete el tornillo de tope de bisel (NN).
7. Revise la escala de ángulo de bisel. Si el indicador no lee 0°, afloje el tornillo del indicador (OO) y mueva el indicador de tal forma que la lectura sea la correcta. Reajuste el tornillo del indicador.
8. Repita el procedimiento a 45°, pero no ajuste el indicador.



AJUSTE DE LA ESCUADRA DE INGLETE (FIG. 2)

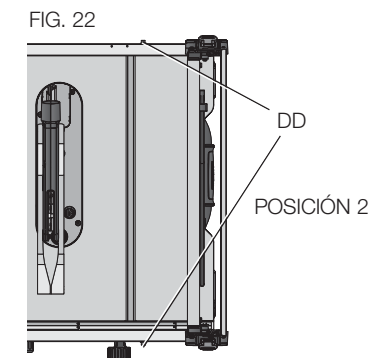
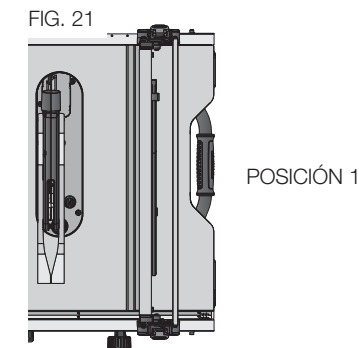
Para ajustar el indicador de ángulo para cortes ingleteados (J), afloje el pomo, fíjelo en el ángulo deseado y apriete el pomo.

AJUSTE DE LA ALINEACIÓN DE LA GUÍA (FIG. 2, 21) (Hoja Paralela a la Guía)

Si experimenta problemas con la alineación de la guía y desea corregir la posición paralela entre la guía y la hoja, asegúrese de verificar en primer lugar la alineación de la hoja a la ranura de inglete. Luego de confirmar que tales elementos están alineados, proceda con la alineación de la hoja con la guía, utilizando el procedimiento siguiente:

ALINEAMIENTO DE LA GUÍA EN POSICIÓN 1

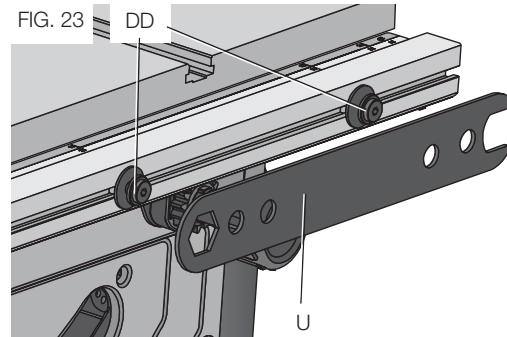
1. Instale la guía en la posición 1 (fig. 21) y desbloquee la palanca de bloqueo del riel (E). Localice ambos pasadores posicionadores (DD) que apoyan la guía en los rieles delanteros y traseros.
2. Afloje el tornillo del pasador posicionador posterior y ajuste el alineamiento de la guía en la ranura hasta que la parte delantera de la guía se sitúe paralela a la hoja. Asegúrese de medir desde la parte delantera de la guía hasta la parte de delante y de atrás de la hoja para asegurar el alineamiento.



3. Apriete el tornillo del pasador posicionador y repita el procedimiento en la parte izquierda de la hoja.
4. Compruebe el ajuste del indicador de la escala para cortes longitudinales.

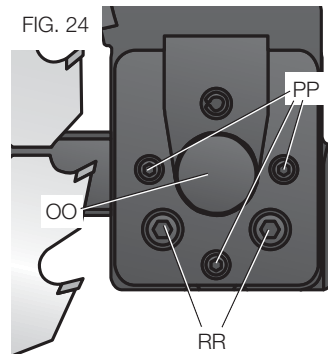
ALINEAMIENTO DE LA GUÍA EN POSICIÓN 2 (FIG. 22, 23)

1. Para alinear los pasadores posicionadores de la guía en la posición 2, asegúrese de que los pasadores de la posición 1 estén alineados, consulte **Alineamiento de la guía en posición 1**.
2. Afloje los pasadores posicionadores de posición 2, luego utilizando los orificios de la llave de la hoja para posicionar, alinee los pasadores (Fig. 23).
3. Apriete los pasadores posicionadores (delantero y trasero).



ALINEACIÓN DE LA CUCHILLA CON LA HOJA (FIG. 24)

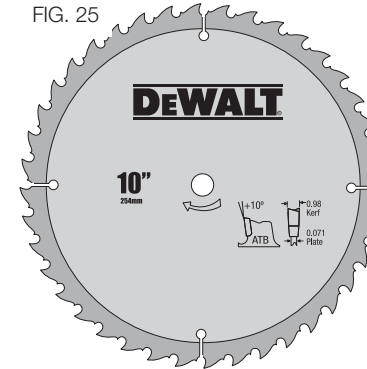
1. Cambie la placa de garganta. Ver **Remoción de la Placa de Garganta en Ensamblaje**.
2. Lleva la hoja hasta su profundidad máxima de corte y a 0° de ángulo de bisel.
3. Localice el juego de cuatro tornillos pequeños (PP) adyacente a la perilla de bloqueo de la cuchilla (QQ). Estos tornillos serán utilizados para ajustar la posición de la cuchilla.
4. Coloque un borde recto sobre la banco contra dos puntas de la hoja. La cuchilla no debe tocar el borde recto. De ser necesario, afloje los dos tornillos de bloqueo más grandes (RR).
5. Ajuste el juego de tornillos pequeños (PP) para mover la cuchilla de acuerdo a la posición indicada en el paso 5. Coloque el borde recto sobre el lado opuesto de la hoja y repita los ajustes como sea necesario.
6. Apriete ligeramente los dos tornillos de bloqueo más grandes (RR).
7. Coloque una escuadra plana contra la cuchilla para verificar que la cuchilla está en posición vertical y alineada con la hoja.
8. De ser necesario, utilice los tornillos de ajuste para llevar la cuchilla a su posición vertical con la escuadra.
9. Repita los pasos 5 y 6 para verificar la posición de la cuchilla.
10. Apriete completamente los dos tornillos de bloqueo más grandes (RR).



Hojas de Sierra (Fig. 25)

⚠ ADVERTENCIA: Las Cuchilla deben hacer juego con las dimensiones de la hoja de sierra, a fin de que funcionen efectivamente. Ver **Selección de Cuchilla**.

NOTA: ESTA SIERRA ESTA DISEÑADA PARA SER UTILIZADA CON HOJAS DE SIERRA DE 254 mm (10 pulg.) DE DIÁMETRO.



- La hoja de sierra incluida en su nueva sierra es una hoja de combinación de 254 mm (10 pulg.), utilizada para cortes cruzados (a lo largo de la veta) y ranurado (en línea con la veta) a través del material. El orificio central que debe encajar en el mandril es de 16 mm (5/8 pulg.) de diámetro. Esta hoja producirá un corte de buena calidad para la mayoría de las aplicaciones.
- Existen muchos tipos de hojas disponibles para realizar trabajos específicos y especiales, tales como solo corte cruzado, solo ranurado, hojas cóncavas, contrachapado delgado, paneles, etc.
- Utilice solo hojas de sierra diseñadas para operar en velocidades de seguridad máxima de 5.000 RPM o mayores.
- Las hojas de sierra deben mantenerse afiladas siempre. Se recomienda localizar un servicio de afilado acreditado para afilar sus hojas cuando sea necesario.
- Jamás apile las hojas unas encima de las otras para almacenarlas. Coloque algún material, tal como cartón, entre las hojas para evitar que entren en contacto entre sí.

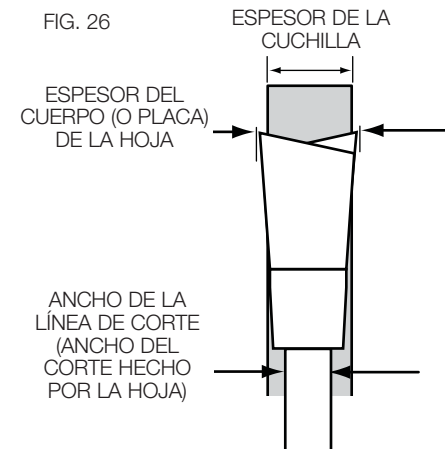
⚠ ATENCIÓN: Para reducir el riesgo de lesión, no deben utilizarse discos u hojas abrasivos (incluidos los de diamante) en esta sierra.

Selección de placa abridora y cuchillo divisor (Fig. 26-28)

ADVERTENCIA: Para minimizar el riesgo de rebote y asegurar un corte adecuado, la placa abridora y el cuchillo divisor tienen que tener el grosor adecuado para la hoja utilizada.

La hoja abridora y el cuchillo divisor suministrados con esta sierra de banco son del tamaño correcto para la hoja suministrada con la sierra.

Si se usa una hoja diferente compruebe el grosor del cuerpo (placa) de la hoja y la anchura de la línea de corte de la hoja marcada en la hoja o en el envase de la hoja. El grosor de la placa abridora y el cuchillo divisor debe ser mayor que el grosor del cuerpo y menor que la anchura del corte, como se muestra en la Figura 26.



La cuchilla incluida con esta sierra está marcada como sigue (Fig. 27):

CUCHILLA DE 2,2 mm (0,087 pulg.) DE ESPESOR. USE SOLO CON HOJA DE 254 mm (10 pulg.) CON 2,4 mm (0,094 pulg.) MIN. ancho DE línea de corte y 1,75 mm (0,067 pulg.) MAX. espesor DE cuerpo.

FIG. 27



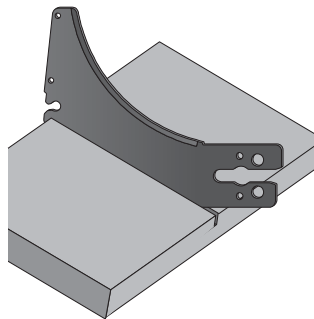
Todos los espesores de cuerpo de hoja y anchos de líneas de corte pueden encontrarse en www.dewalt.com.

Si se utiliza una hoja diferente y las dimensiones del espesor de cuerpo y el ancho de línea de corte no son suministrados, utilice el siguiente procedimiento para determinar el espesor correcto de la cuchilla:

1. Mida el espesor del cuerpo de la hoja.
2. Realice un corte poco profundo en material sobrante y mida el ancho de la línea de corte.
3. Seleccione la cuchilla como lo muestra la Figure 28.
4. Deslice la cuchilla, a través del corte poco profundo realizado en el paso 2, para confirmar que la cuchilla correcta ha sido seleccionada. La cuchilla no debe trabarse o arrastrarse a través del corte (Fig. 28).

IMPORTANTE: Si se presenta algún arrastre o traba del material al momento que alcanza la cuchilla, apague la unidad y desconecte la máquina de la alimentación de corriente. Repita los pasos 1–4 para realizar la selección correcta de la cuchilla, antes de intentar otro corte.

FIG. 28



Rebote

¡El rebote es una condición peligrosa! Es provocado por el trabado de la pieza de trabajo contra la hoja. El resultado es que la pieza de trabajo puede moverse rápidamente en dirección opuesta a la dirección de alimentación. Durante el rebote, la pieza de trabajo podría ser lanzada de vuelta al operador. También puede arrastrar la mano del operador hacia la hoja, si el operador está detrás de la hoja. Si ocurre el rebote, APAGUE la sierra y verifique el funcionamiento correcto de la cuchilla, del ensamblaje anti-rebote y del ensamblaje protector de la hoja, antes de reiniciar el trabajo.

⚠ ADVERTENCIA: *er Reglas Adicionales de Seguridad para Sierras de Banco y siga todas las advertencias suministradas en relación al REBOTE.*

OPERACIÓN

⚠ ADVERTENCIA: *Para disminuir el riesgo de lesiones, apague la máquina y desconéctala del suministro eléctrico antes de instalar y quitar accesorios y antes de hacer ajustes, cambios de configuración o reparaciones. La puesta en marcha accidental puede causar lesiones.*

⚠ ADVERTENCIA: *Antes de utilizar la sierra, verifique lo siguiente en todas y cada una de las veces:*

- **SIEMPRE** *utilice equipo de protección ocular, auditivo y respiratorio adecuado.*
- *La hoja está bien asegurada.*
- *El ángulo de bisel y las perillas de bloque de altura están bien ajustadas.*
- *Si se está ranurando, asegúrese que la palanca de bloqueo de la guía está bien ajustada y que la guía esta paralela a la hoja.*
- *Si se está realizando un corte cruzado, asegúrese que la perilla de la escuadra de inglete está bien ajustada.*
- *El ensamblaje protector de la hoja está correctamente acoplado y el ensamblaje anti-rebote está funcionando.*
- **SIEMPRE** *revise la alineación apropiada y la holgura con la hoja de sierra del ensamblaje del protector de la hoja y la cuchilla.*
- **SIEMPRE** *asegúrese que ambos protectores están en su posición baja en contacto con la banco antes de la operación.*

⚠ ADVERTENCIA: *Para reducir el riesgo de lesiones corporales graves, tenga lista la vara de empuje antes de comenzar el corte.*

El incumplimiento con alguna de estas reglas de seguridad comunes, pueden incrementar grandemente la posibilidad de lesiones.

⚠ ADVERTENCIA: *Para reducir el riesgo de lesiones, apague la unidad y desconecte la máquina de la alimentación de corriente antes de instalar y retirar accesorios, antes de fijar o cambiar ajustes o cuando realice reparaciones. Un encendido accidental puede provocar lesiones.*

⚠ ADVERTENCIA: *Antes de conectar la sierra de banco a la alimentación de corriente o antes de usar la sierra, siempre revise la alineación apropiada y la holgura con la hoja de sierra del ensamblaje del protector de la hoja y la cuchilla. Podría resultar en lesiones corporales.*

⚠ ADVERTENCIA: *El ranurado o corte cruzado puede provocar que la sierra se vuelque mientras se está operando. Asegúrese que la sierra está montada firmemente a una superficie estable.*

⚠ ADVERTENCIA: *Jamás utilice la guía y la escuadra de inglete al mismo tiempo. Esto puede resultar en una condición rebote y lesionar al operador.*

⚠ ATENCIÓN: *Si esta sierra hace un ruido desconocido o si vibra excesivamente, deje de utilizarla inmediatamente, apáguela y desconéctela de la fuente de alimentación hasta que se haya identificado y corregido el problema. Contacte con un centro de servicio de fábrica DEWALT, un centro de servicio autorizado DEWALT u otro personal de servicio calificado si no puede identificarse el problema.*

⚠ ATENCIÓN: La placa de garganta adecuada debe estar en su sitio en todo momento para reducir el riesgo de que una pieza de trabajo salga disparada y cause una lesión.

Hay dos tipos básicos de corte con las sierras de banco: el corte longitudinal y el tronzado. Sin tener en cuenta el material, la madera natural o artificial, la distinción entre el corte longitudinal y el tronzado es la siguiente: El corte longitudinal es un corte de una anchura diferente (normalmente al hilo) y el tronzado describe cortar material a través de una dimensión más corta (normalmente contra el hilo).

⚠ ADVERTENCIA: Al cortar longitudinalmente, utilice siempre la guía para proporcionar una orientación para el material y la unidad del protector de la hoja para proteger contra rebotes.

⚠ ADVERTENCIA: No realice nunca ninguna operación de corte a mano alzada. No realice nunca cortes de inmersión.

⚠ ATENCIÓN: Cuando tronce, utilice siempre el indicador de ángulo para cortes ingleteados.

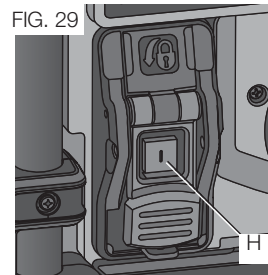
Interruptor de encendido y apagado (Fig. 29)

⚠ ADVERTENCIA: Para reducir el riesgo de lesión, asegúrese de que el interruptor esté en posición de apagado antes de enchufar la máquina.

Empuje el botón verde (H) para encender la sierra y empuje la palanca roja para apagar la sierra.

INSTRUCCIONES DE LA CARACTERÍSTICA DE BLOQUEO

Una cubierta por encima del interruptor se pliega hacia abajo para introducir un candado para bloquear la sierra. Se recomienda un candado con un diámetro máximo de 6,35 mm (1/4 pulg.) y un espacio libre mínimo de 76,2 mm (3 pulg.).

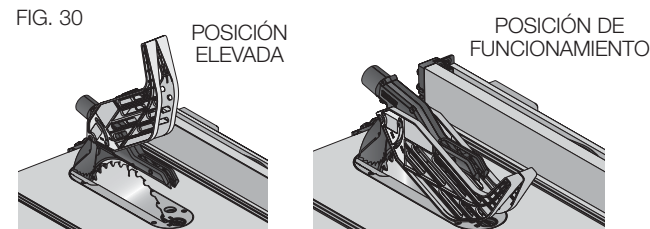


Característica de funcionamiento del protector (Fig. 30)

⚠ ADVERTENCIA: Para disminuir el riesgo de lesiones, apague la máquina y desconéctala del suministro eléctrico antes de instalar y quitar accesorios y antes de hacer ajustes, cambios de configuración o reparaciones. La puesta en marcha accidental puede causar lesiones.

1. El protector o protectores se bloquearán en su sitio cuando estén en la posición levantada.
2. Esta característica aumenta la visibilidad al medir la distancia entre la hoja y la guía.
3. Empuje el protector o protectores y se liberarán hasta fijarse en la posición de funcionamiento.

NOTA: Tire de la unidad anti-rebote para asegurarse de que se haya bloqueado en su sitio. Asegúrese **SIEMPRE** de que ambos protectores estén en la posición hacia abajo en contacto con la mesa antes de la puesta en funcionamiento.



Funcionamiento de la guía para cortes longitudinales (Fig. 31-33)

PALANCA DE BLOQUEO DEL RIEL (FIG. 32)

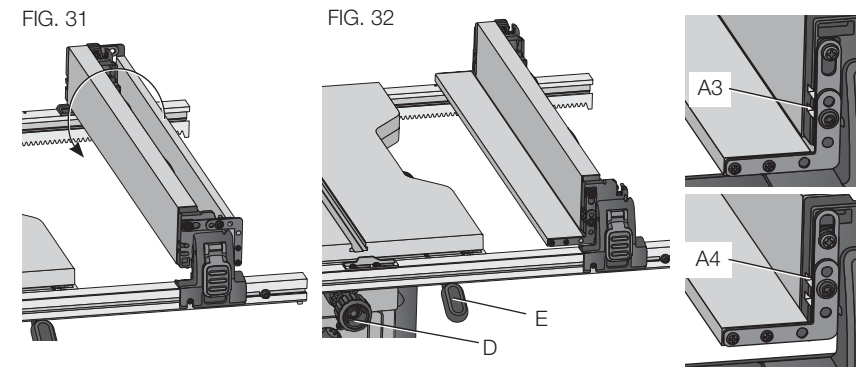
La palanca de bloqueo del riel (E) bloquea la guía en su sitio evitando el movimiento durante el corte. **Para bloquear la palanca del riel**, empujela hacia abajo y hacia la parte trasera de la sierra. **Para desbloquearla**, tire de ella hacia arriba hacia la parte delantera de la sierra.

NOTA: Cuando asierre a lo largo, bloquee siempre la palanca de bloqueo del riel.

EXTENSIÓN DE APOYO PARA LA PIEZA DE TRABAJO/GUÍA ESTRECHA PARA CORTES LONGITUDINALES

La sierra de banco está equipada con una estrecha guía para cortes longitudinales para apoyar las piezas de trabajo que sobresalen del banco de aserrar. Para usar la guía estrecha para cortes longitudinales, gírela de su posición de almacenamiento, como se muestra en la Figura 31, y deslice las clavijas del brazo de pivote en la ranura (A3) en ambos lados. Las clavijas encajarán en los soportes de la guía en la parte delantera y trasera de la guía (A4). Esta característica permitirá un espacio adicional de 2" (51 mm) hasta la hoja. Consulte la figura 33B. Si piensa que se necesita un mayor espacio libre, siga las instrucciones para hacer una **Guía auxiliar estrecha para cortes longitudinales**.

NOTA: Cuando no esté utilizándose, la guía estrecha para cortes longitudinales debe colocarse en su posición de almacenamiento.



NOTA: Esta guía permitirá al protector permanecer en la sierra cuando se realicen cortes longitudinales estrechos. La guía proporcionará espacio suficiente para un empujador. Si prefiere más espacio para los bloques de empuje o empujadores, consulte la sección **Guía auxiliar estrecha para cortes longitudinales**.

POMO DE AJUSTE (FIG. 31)

El pomo de ajuste (D) permite ajustes más pequeños al fijar la guía. Antes de realizar el ajuste, compruebe que la palanca de bloqueo del riel esté en posición hacia arriba o de desbloqueo.

INDICADOR DE ESCALA PARA CORTES LONGITUDINALES

El indicador de escala para cortes longitudinales tendrá que ajustarse para el buen funcionamiento de la guía para cortes longitudinales si el usuario cambia entre las hojas de corte gruesas y finas. El indicador de la escala para cortes longitudinales solamente marca correctamente la posición 1 (de 0 a 24,5 pulg.), sin embargo para la posición 1 con la guía estrecha para cortes longitudinales agregue 50 mm (2 pulg.) Consulte **Ajuste de la escala para cortes longitudinales** bajo **Montaje**.

Realizar cortes longitudinales (Fig. 33)

⚠ **ADVERTENCIA:** No toque nunca el "extremo libre" de la pieza de trabajo o una "pieza libre" que esté cortada, mientras esté encendida la sierra o la hoja esté girando. La pieza puede tocar la hoja y provocar que la pieza de trabajo salga disparada y que se produzca una lesión.

⚠ **ADVERTENCIA:** Debe usarse **SIEMPRE** una guía para cortes longitudinales para operaciones de cortes longitudinales a fin de evitar la pérdida de control y las lesiones corporales. No realice **NUNCA** una operación de corte longitudinal a mano alzada. Bloquee **SIEMPRE** la guía en el riel.

⚠ **ADVERTENCIA:** Cuando se hagan cortes longitudinales biselados y siempre que sea posible, coloque la guía a un lado de la hoja para que esta esté inclinada alejada de la guía y de las manos.

⚠ **ADVERTENCIA:** Mantenga las manos lejos de la hoja.

⚠ **ADVERTENCIA:** Utilice un empujador para alimentar la pieza de trabajo si hay entre de 51 a 152 mm (2 y 6 pulg.) entre la guía y la hoja. Use la guía estrecha para cortes longitudinales y use el empujador para alimentar la pieza de trabajo si hay un espacio de 51 mm (2 pulg.) o más estrecho entre la guía y la hoja.

1. Bloquee la guía presionando hacia abajo la palanca de bloqueo del riel. Retire la escuadra de inglete.
2. Levante la hoja hasta 3,2 mm (1/8 pulg.) por encima de la parte superior de la pieza de trabajo.
3. Sujete la pieza de trabajo en posición plana sobre la banco y contra la guía. Mantenga la pieza de trabajo a 25,4 mm (1 pulg.) aproximadamente de la hoja.

FIG. 33 A

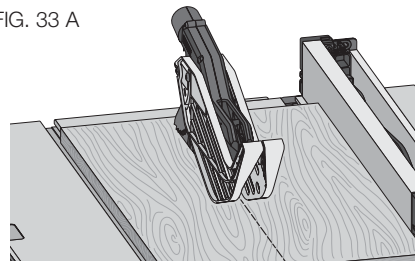
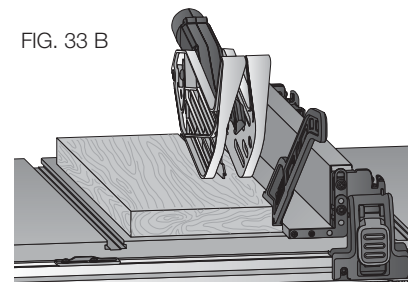


FIG. 33 B



⚠ **ATENCIÓN:** La pieza de trabajo debe tener un borde recto contra la guía y no debe estar deformada, torcida o doblada. Mantenga ambas manos alejadas de la hoja y del paso de la hoja. Ver la posición apropiada de las manos en la Figura 33.

4. Encienda la sierra y permita que la hoja adquiera velocidad. Ambas manos pueden utilizarse para iniciar el corte. Cuando queden aproximadamente 305 mm (12 pulg.) restantes para ser ranuradas, utilice solamente una mano, con su dedo pulgar empujando el material, su dedo índice y medio sujetando el material hacia abajo y sus otros dedos sujetando la guía. Siempre mantenga su pulgar al lado de sus dos primeros dedos y cerca de la guía.
5. Manteniendo la pieza de trabajo contra el banco y la guía, lentamente alimente la pieza de trabajo hacia atrás hasta que pase a través de la hoja de la sierra. Continúe empujando la pieza de trabajo hasta que se aleje del ensamble protector de la hoja y caiga a la parte posterior de la banco. No sobrecargue el motor.
6. Jamás intente traer de vuelta la pieza de trabajo con la hoja girando. Apague la maquina, permita que la hoja se detenga, levante los dientes anti-rebote en cada lado de la cuchilla, de ser necesario, y deslice la pieza de trabajo hacia afuera.

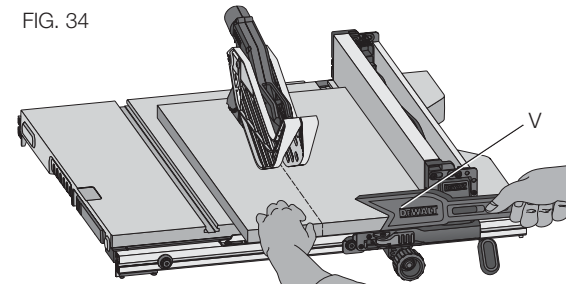
7. Al aserrar una pieza larga de material o un panel, utilice siempre un soporte para la pieza de trabajo. Un caballete de aserrado, rodillos o unidad de salida proporcionan un soporte adecuado para este propósito. El soporte de la pieza de trabajo debe estar a la misma altura o ligeramente por debajo del banco de aserrar.

⚠ **ATENCIÓN:** No empuje nunca ni sujete el extremo libre o cortado de la pieza de trabajo si está entre la hoja y la guía.

Corte longitudinal de trozos pequeños (Fig. 34)

No es seguro cortar a lo largo trozos pequeños. No es seguro poner las manos cerca de la hoja. En cambio, puede cortar un trozo más grande para obtener el trozo del tamaño deseado. Cuando debe cortarse un trozo de poca anchura y no puede ponerse la mano sin riesgo entre la hoja y la guía para cortes longitudinales, utilice un empujador o más. Se incluye un patrón al final de este manual para hacer empujadores. Se incluye un empujador (V) con esta sierra, fijado a la guía para cortes longitudinales. Utilice el empujador o empujadores para sujetar la pieza de trabajo contra el banco y la guía y empuje la pieza de trabajo completamente más allá de la hoja.

FIG. 34



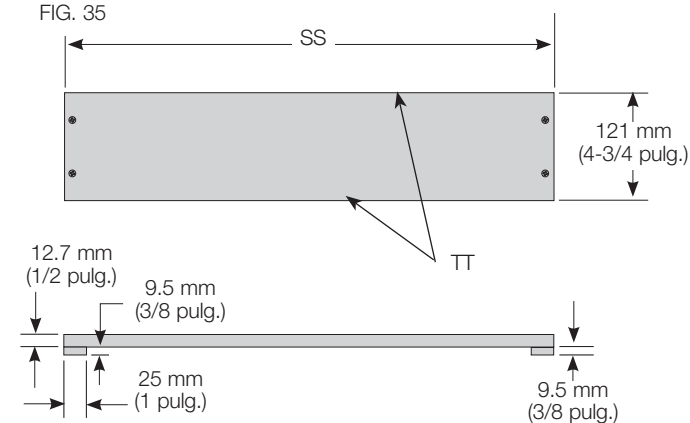
Montaje de la guía estrecha auxiliar para cortes longitudinales (Fig. 35, 36)

La guía estrecha auxiliar para cortes longitudinales debe usarse para cortes de 51 mm (2 pulg.) o más estrechos. Esta guía permitirá al protector permanecer en la sierra cuando se realicen cortes longitudinales estrechos. Esta guía proporcionará espacio suficiente para el uso adecuado de un bloque de empuje (TT, véase **Bloque de empuje**).

1. Siga el diagrama en la Fig. 35 para construir la guía estrecha auxiliar para cortes longitudinales (SS).

NOTA: La longitud debe cortarse para ajustarse a la longitud del banco de aserrar y los lados (TT) deben estar paralelos.

FIG. 35



2. Luego de construir la guía auxiliar para cortes delgados, deslícela sobre la parte superior de la banco de la sierra y colóquela nivelada con la guía como lo muestra la Figure 37.
3. Alimente la pieza de trabajo hasta que el borde del material alcance el borde frontal de la parte superior de la banco de la sierra.
4. Continúe alimentando el material utilizando un bloque de empuje (UU) hasta completar el corte.

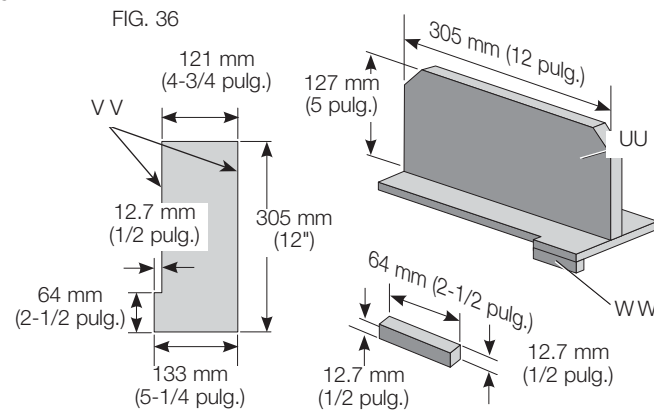
Bloque de Empuje (Fig. 36, 37)

IMPORTANTE: Utilice el bloque de empuje (UU) únicamente con la guía auxiliar para cortes delgados, ver **Guía Auxiliar Para Cortes Delgados**. El bloque de empuje debe utilizarse una vez que el material siendo cortado alcanza la parte superior de la banco de la sierra.

1. Construya un bloque de empuje utilizando el diagrama en la Figure 36.

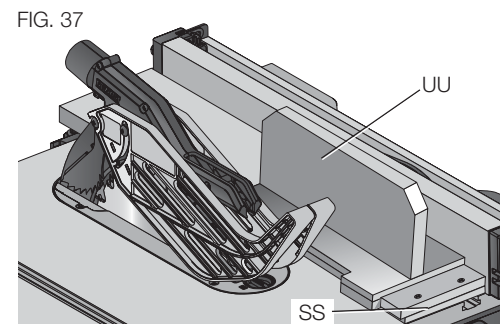
NOTA: Los bordes (V V) deben ser del mismo tamaño.

IMPORTANTE: El borde que sobresale (V V, Fig. 36) DEBE ser escuadra. Un borde desnivelado puede provocar que el bloque de empuje resbale o empuje el material lejos de la guía.



2. Coloque el bloque de empuje (UU, Fig. 37) detrás del material para asegurar que el borde del bloque esta nivelado con la guía auxiliar para cortes delgados (SS).
3. Una vez que el bloque de empuje este en posición, continúe alimentando el material hasta que se complete el corte, asegurándose que el bloque de empuje permanece nivelado con la guía auxiliar para cortes delgados en todo momento.

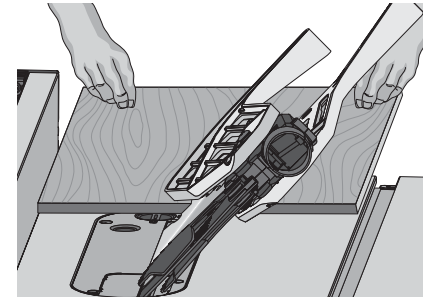
IMPORTANTE: La guía auxiliar para cortes delgados y el borde que sobresale (W W, Fig. 36) deben ambos ser del mismo grosor.



Corte longitudinal biselado

Esta operación es la misma que el corte longitudinal excepto que el ángulo de bisel está fijado en un ángulo que no es cero grados. Para una posición adecuada de las manos consulte la figura 38.

FIG. 38



⚠ ADVERTENCIA: Antes de conectar la sierra de banco a la alimentación de corriente o antes de usar la sierra, siempre revise la alineación apropiada y la holgura con la hoja de sierra del ensamblaje del protector de la hoja y la cuchilla. Revise la alineación después de cada cambio del ángulo de bisel.

Corte Cruzado

⚠ ADVERTENCIA: JAMÁS toque el "extremo libre" de la pieza de trabajo o la "pieza libre" que se corta, mientras este ENCENDIDA la máquina y/o la hoja de sierra este girando. La pieza puede hacer contacto con la hoja, resultando en una pieza de trabajo lanzada y posibles lesiones.

⚠ ADVERTENCIA: Para reducir el riesgo de lesiones, **JAMÁS** utilice la guía como un tope de longitud para cortes cruzados.

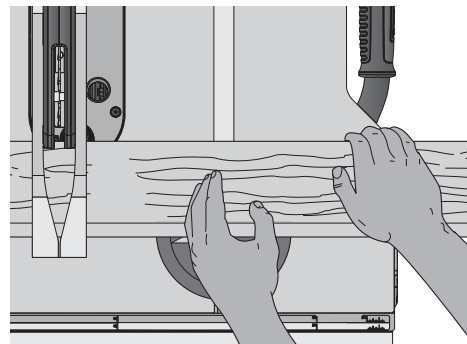
⚠ ADVERTENCIA: JAMÁS utilice un tope de longitud en el extremo libre de la pieza de trabajo para cortes cruzados. En pocas palabras, la pieza cortada no debe, en ninguna operación de corte tangencial (corte completo a través de la pieza de trabajo) ser confinada – se le debe permitir alejarse de la hoja de la sierra para evitar el contacto con la hoja que puede resultar en una pieza de trabajo lanzada y posibles lesiones.

⚠ ADVERTENCIA: Use cautela cuando inicie el corte para prevenir trabado del ensamblaje protector de la hoja contra la pieza de trabajo, resultando en daño para la sierra y posibles lesiones.

⚠ ATENCIÓN: Cuando se utilice un bloque con un calibrador de corte, el bloque debe ser de al menos 19 mm (3/4 pulg.) de grueso y es muy importante que el extremo posterior del bloque este posicionado de tal forma que la pieza de trabajo se libere del bloque antes de que entre en contacto con la hoja, para prevenir el contacto con la hoja que puede resultar en una pieza de trabajo lanzada y posibles lesiones.

1. Retire la guía y coloque la escuadra de inglete en la ranura deseada.
2. Ajuste la altura de la hoja de tal forma que la hoja quede a 3,2 mm (1/8 pulg.) por encima de la parte superior de la pieza de trabajo.
3. Sujete firmemente la pieza de trabajo contra la escuadra de inglete con el paso de la hoja en línea con el lugar de corte deseado. Mantenga la pieza de trabajo a una pulgada o un poco más del frente de la hoja. MANTENGA AMBAS MANOS ALEJADAS DE LA HOJA Y DEL PASO DE LA HOJA (Fig. 39).

FIG. 39



4. Encienda la sierra y permita que la hoja adquiera velocidad.
5. Mientras utilice ambas manos para mantener la pieza de trabajo contra la cara de la escuadra de inglete y sujete la pieza de trabajo en posición plana contra la banco, empuje lentamente la pieza de trabajo a través de la hoja.
6. Jamás intente traer de vuelta la pieza de trabajo con la hoja girando. Apague la maquina, permita que la hoja se detenga y cuidadosamente deslice la pieza de trabajo hacia afuera.

⚠ ATENCIÓN: Jamás empuje o sostenga el lado "libre" o "cortado" de la pieza de trabajo.

Corte Cruzado de Bisel

Esta operación es igual al corte cruzado, excepto que el ángulo de bisel se ajusta a un ángulo distinto a cero grados.

⚠ ADVERTENCIA: Antes de conectar la sierra de banco a la alimentación de corriente o antes de usar la sierra, siempre revise la alineación apropiada y la holgura con la hoja de sierra del ensamble del protector de la hoja y la cuchilla. Revise la alineación después de cada cambio del ángulo de bisel.

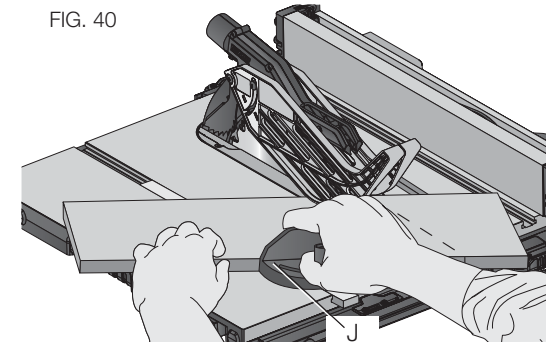
Inglete (Fig. 40)

⚠ ADVERTENCIA: Los ángulos de inglete mayores a 45° pueden forzar el ensamble protector de la hoja hacia la hoja de la sierra, resultando en daños para el ensamble protector de la hoja y lesiones corporales. Antes de encender el motor, pruebe la operación de la maquina alimentando una pieza de trabajo hacia el ensamble protector de la hoja. Si el ensamble protector de la hoja hace contacto con la hoja, coloque la pieza de trabajo debajo del ensamble protector de la hoja, sin tocar la hoja, antes de encender el motor.

⚠ ATENCIÓN: Ciertas formas de piezas de trabajo, tales como moldeados, pueden no levantar apropiadamente el ensamble protector de la hoja. Alimente la pieza de trabajo lentamente para iniciar el corte. Si el ensamble protector de la hoja hace contacto con la hoja, coloque la pieza de trabajo debajo del ensamble protector de la hoja, sin tocar la hoja, antes de encender el motor.

Esta operación es igual al corte cruzado, excepto que la escuadra de inglete se ajusta a un ángulo distinto a cero grados. Sujete FIRMEMENTE la pieza de trabajo contra la escuadra de inglete (J) y alimente la pieza de trabajo lentamente hacia la hoja (para prevenir que la pieza de trabajo se mueva).

FIG. 40



Funcionamiento del indicador de ángulo para cortes ingleteados

Para fijar su indicador de ángulo para cortes ingleteados:

1. Afloje la manija de bloqueo del indicador de ángulo para cortes ingleteados.
2. Mueva el indicador de ángulo para cortes ingleteados hasta el ángulo deseado.
3. Apriete la manija de bloqueo del indicador de ángulo para cortes ingleteados.

INGLETEADO COMPUESTO

Esta es una combinación de tronzado a bisel e ingleteado. Siga las instrucciones para tronzado a bisel e ingleteado.

Ranurado

⚠ ATENCIÓN: No intente apilar hojas de ranurado más gruesas de 20 mm (13/16 pulg.). No utilice hojas de ranurado más largas de 200 mm (8 pulg.) de diámetro.

Dado que las ranuras no son cortes completos, los cortes deben realizarse sin el protector de la hoja. Para quitar la unidad del protector de la hoja, tire de la palanca del cuchillo divisor / protector de la hoja y tire hacia arriba del protector o del cuchillo divisor para sacarlo.

Cuando utilice la hoja de zocalado, debe utilizar el inserto especial de zocalado (también vendido como un accesorio).

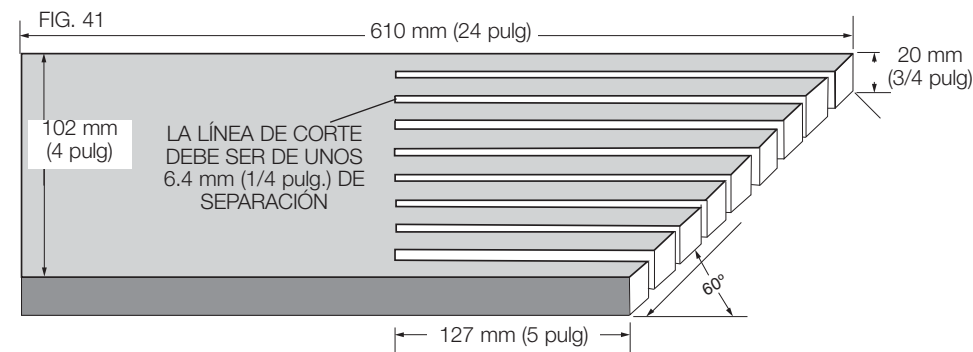
Siempre que se requiere un corte que sea considerablemente más ancho que la línea de corte de la sierra, se utiliza un zocalado. Un zocalado es comúnmente usado para agregar soporte y alinear un entrepaño para un gabinete, un librero o algún proyecto similar. **Cuando se utilice el zocalado, el ensamble protector de la hoja debe ser retirado. Use EXTREMA cautela cuando utilice el zocalado sin el ensamble protector de la hoja y la cuchilla.** Si se requiere un corte profundo. Utilice varios pases en vez de intentar hacerlo en un solo pase. El ancho máximo de zocalado en esta sierra es 20 mm (13/16 pulg.). NO UTILICE COMBINACIONES DE MAYOR AMPLITUD.

⚠ ATENCIÓN: Siempre revise la holgura del disco de zocalado antes de instalarlo en la sierra.

Asegúrese de colocar el ensamble protector de la hoja y la placa de garganta estándar en su posición original y revisar los ajustes cuando el zocalado se haya completado. Reinstale el ensamble protector de la hoja, el ensamble anti-rebote y la cuchilla.

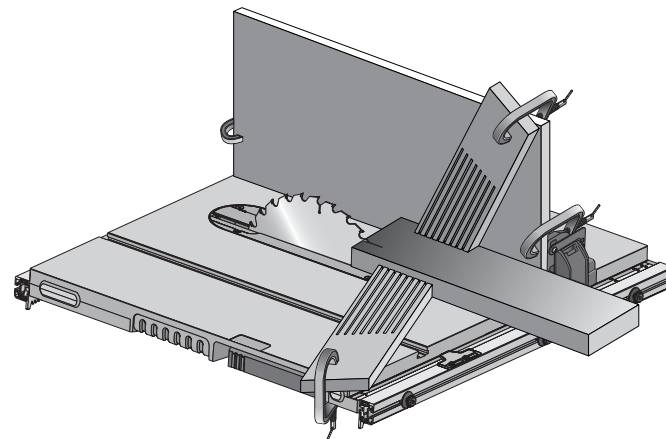
Construcción de Tabla con canto biselado (Fig. 41, 42)

Las tablas con cantos biselados se utilizan para mantener el trabajo en contacto con la guía y al banco y ayudar a prevenir los rebotes. Las dimensiones para construir una tabla con canto biselado típica se muestran en la Fig. 41. Construya la tabla con canto biselado de una pieza entera de madera que esté libre de nudos y agrietamientos. Fije la tabla con canto biselado a la guía y banco de tal manera que el borde punta de la tabla con canto biselado soporte la pieza de trabajo hasta que el corte se complete (Fig. 42). Una tabla plana de 203 mm (8 pulg.) puede ser fijada a la guía y la tabla con canto biselado puede fijarse a la tabla de 203 mm (8 pulg.).



⚠ ADVERTENCIA: Utilice las tablas con cantos biselados para todas las operaciones de serruchado no tangencial en las cuales el ensamble protector de la hoja, el ensamble anti-rebote y la cuchilla no puedan ser usados. **Siempre cambie el ensamble protector de la hoja, el ensamble anti-rebote y la cuchilla cuando la operación de serruchado no tangencial se complete.** Asegúrese que la tabla con canto biselado presione solo sobre la porción de la pieza de trabajo que esta frente a la hoja.

FIG. 42



Recolección de polvo (Fig. 43)

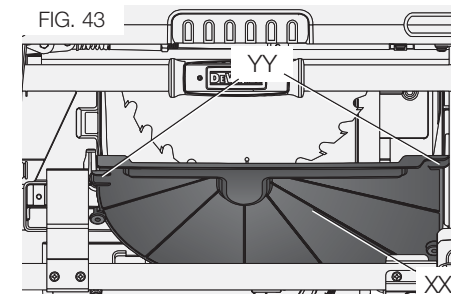
Esta sierra de banco está equipada con una cubierta protectora de polvo y un orificio para recolección de polvo. Para mejores resultados, conecte una aspiradora al orificio en la parte trasera de la sierra y en el protector utilizando un conector Y.

El conector Y está disponible como accesorio por un costo adicional. Consulte la sección **Accesorios**.

AVISO: Debe tenerse cuidado al colocar las mangueras de manera que no obstaculicen la operación de corte.

Después de un uso prolongado, el sistema de recolección de polvo de la sierra puede estar bloqueado. Para limpiar el sistema de recogida de polvo:

1. Desenchufe la sierra.
2. Ponga la sierra de costado, de forma que la parte de abajo abierta del aparato esté accesible.
3. Abra la puerta de acceso al polvo (XX) mostrada en la figura 43 presionando los ganchos laterales (YY). Limpie el exceso de polvo y vuelva a cerrarla bien empujando los ganchos laterales completamente en su sitio.



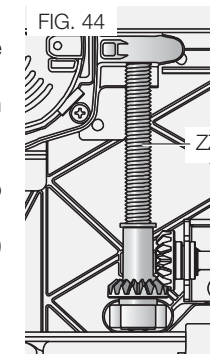
Conmutador de reposicionamiento de sobrecarga del motor y pérdida de potencia

Si se corta la electricidad porque salta un disyuntor, o hay una pérdida de corriente, la sierra tiene una característica de conmutador de reposicionamiento por pérdida de potencia que automáticamente se reposicionará a la posición de apagado.

La sobrecarga del disyuntor con frecuencia es el resultado de una hoja desafilada. Cambie la hoja regularmente para evitar que salte el disyuntor. Desconecte la sierra de la fuente de alimentación y compruebe la hoja antes de reposicionar el disyuntor y seguir aserrando.

Lubricación (Fig. 44)

1. Todos los cojinetes del motor están lubricados permanentemente en la fábrica y no es necesaria ninguna lubricación adicional.
2. El tornillo de ajuste de altura puede necesitar limpieza y lubricación periódicas. Si tiene problemas para levantar o bajar la hoja:
 - a) Desenchufe la sierra.
 - b) Ponga la sierra de costado, de forma que la parte de abajo abierta del aparato esté accesible.
 - c) Limpie y lubrique las roscas del tornillo de ajuste de altura (ZZ) en la parte de abajo de esta sierra con grasa para uso general, consulte la Figura 44.



Almacenamiento (Fig. 45–50)

1. Fije el empujador (V) a la guía.
2. Saque la unidad del protector de la hoja (K). Consulte la sección **Extraer la unidad del protector de la hoja**. Deslice la unidad del protector de la hoja en el sujetador como se muestra, luego gire la palanca en sentido antihorario para bloquearla.
3. Presione sobre el vástago en la unidad anti-rebote (N) para permitir que la unidad se deslice de la ranura del cuchillo divisor.
4. Posicione la unidad anti-rebote en el orificio de almacenamiento como se muestra. Mientras presiona el vástago (II) deslice la unidad anti-rebote a través del soporte de almacenamiento (A1) y libere la clavija para bloquearla en su sitio.
5. Deslice las llaves de la hoja (U) en la cavidad hasta que los botones amarillos se alineen con el orificio para fijarlas en su sitio, consulte la Figura 47.
6. Inserte la barra de guía del indicador de ángulo para cortes ingleteados (J) en la cavidad, luego gire y encaje en su sitio (Fig. 45).
7. Enrolle el cable en este lugar (A2, Fig. 46)
8. El cuchillo divisor de corte parcial (W) se desliza en su lugar por debajo de la sierra, debajo del sujetacables, consulte la Figura 50.
9. Para guardar la guía (K), encaje el soporte para la pieza de trabajo en la posición de almacenamiento. Saque la guía de los rieles. Vuelva a fijar la guía boca abajo en la parte izquierda de la sierra, consulte la Figura 46. NO enganche los pasadores posicionadores en los tornillos del localizador de la guía del lado izquierdo. Estos tornillos se alinearán con la cavidad de espacio libre de la guía como se muestra. Gire los seguros de bloqueo de la guía para fijar.

MANTENIMIENTO

⚠ ADVERTENCIA: Para disminuir el riesgo de lesiones, apague la máquina y desconéctala del suministro eléctrico antes de instalar y quitar accesorios y antes de hacer ajustes, cambios de configuración o reparaciones. La puesta en marcha accidental puede causar lesiones.

Limpieza

⚠ ADVERTENCIA: El soplar polvo y virutas fuera de la caja externa del motor, usando aire comprimido limpio y seco, es un procedimiento de mantenimiento regular necesario. El polvo y las virutas que contienen partículas metálicas suelen acumularse en las superficies internas y puede crear una descarga eléctrica o electrocución si no se limpian con frecuencia. SIEMPRE UTILICE GAFAS DE SEGURIDAD.

⚠ ATENCIÓN: Cuando realice la limpieza, utilice únicamente un paño húmedo sobre las partes de plástico. Muchos limpiadores domésticos contienen químicos que podrían dañar seriamente el plástico. Tampoco utilice gasolina, trementina, laca o thinner, líquidos para lavado al seco o productos similares que pueden dañar gravemente las piezas de plástico. Jamás permita que le entre líquido a la herramienta; jamás sumerja ninguna parte de la herramienta a un líquido.

Accesorios

⚠ ADVERTENCIA: Debido a que no se han probado con este producto otros accesorios que no sean los que ofrece DEWALT, el uso de dichos accesorios con esta herramienta podría ser peligroso. Para reducir el riesgo de lesiones, con este producto deben usarse sólo los accesorios recomendados por DEWALT.

Para obtener a un coste adicional los accesorios recomendados para usar con su herramienta, como por ejemplo la escala métrica paralela, dirjase a su distribuidor local o a un centro de servicios autorizado. Si necesita ayuda para localizar algún accesorio, póngase en contacto con DEWALT Industrial Tool Co., 701 East Joppa Road, Baltimore, MD 21286, llame al 1-800-4-DEWALT (1-800-433-9258) o visite nuestro sitio Web: www.dewalt.com.

FIG. 45

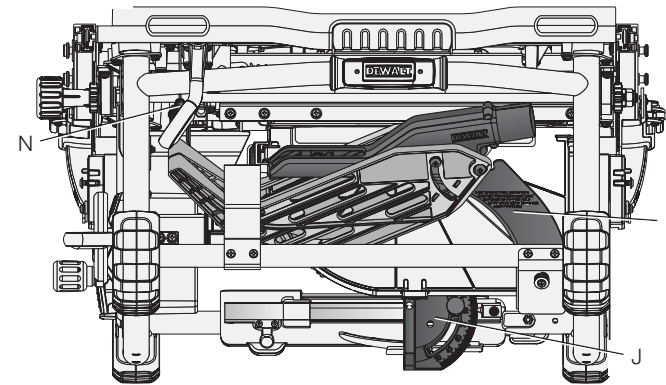


FIG. 46

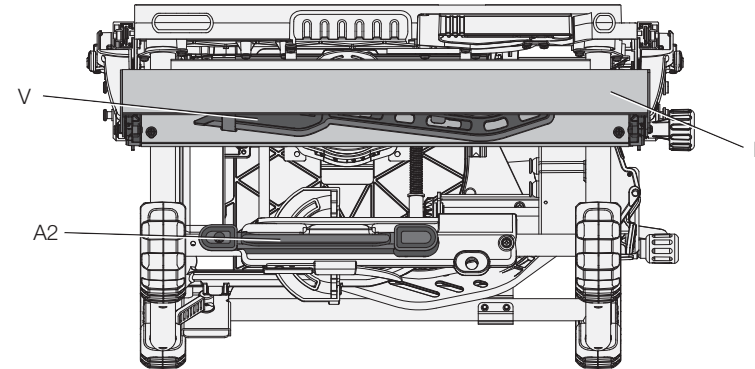


FIG. 47

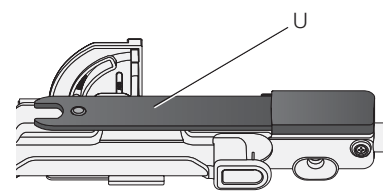


FIG. 49

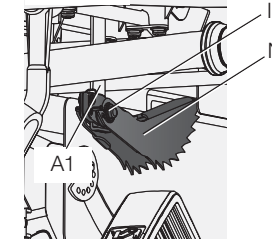


FIG. 48

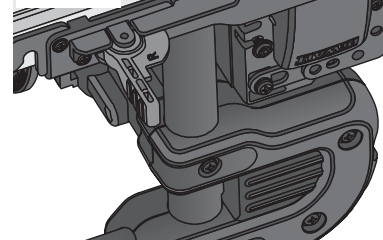
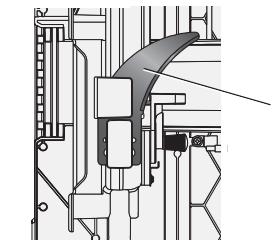


FIG. 50



Reparaciones

Para asegurar la SEGURIDAD y la CONFIABILIDAD del producto, las reparaciones, el mantenimiento y los ajustes deben (inclusive inspección y cambio de carbones) ser realizados en un centro de mantenimiento en la fábrica DEWALT, en un centro de mantenimiento autorizado DEWALT u por otro personal de mantenimiento calificado. Utilice siempre piezas de repuesto idénticas.

PARA REPARACIÓN Y SERVICIO DE SUS HERRAMIENTAS ELÉCTRICAS, FAVOR DE DIRIGIRSE AL CENTRO DE SERVICIO MÁS CERCANO

CULIACAN, SIN Blvd.Emiliano Zapata 5400-1 Poniente Col. San Rafael	(667) 717 89 99
GUADALAJARA, JAL Av. La Paz #1779 - Col. Americana Sector Juárez	(33) 3825 6978
MEXICO, D.F. Eje Central Lázaro Cárdenas No. 18 Local D, Col. Obrera	(55) 5588 9377
MERIDA, YUC Calle 63 #459-A - Col. Centro	(999) 928 5038
MONTERREY, N.L. Av. Francisco I. Madero 831 Poniente - Col. Centro	(818) 375 23 13
PUEBLA, PUE 17 Norte #205 - Col. Centro	(222) 246 3714
QUERETARO, QRO Av. San Roque 274 - Col. San Gregorio	(442) 2 17 63 14
SAN LUIS POTOSI, SLP Av. Universidad 1525 - Col. San Luis	(444) 814 2383
TORREON, COAH Blvd. Independencia, 96 Pte. - Col. Centro	(871) 716 5265
VERACRUZ, VER Prolongación Díaz Mirón #4280 - Col. Remes	(229) 921 7016
VILLAHERMOSA, TAB Constitución 516-A - Col. Centro	(993) 312 5111

PARA OTRAS LOCALIDADES:

Si se encuentra en México, por favor llame al (55) 5326 7100

**Si se encuentra en U.S., por favor llame al
1-800-433-9258 (1-800 4-DEWALT)**

Póliza de Garantía

IDENTIFICACIÓN DEL PRODUCTO:

Sello o firma del Distribuidor:

Nombre del producto: _____ Mod./Cat.: _____

Marca: _____ Núm. de serie: _____

(Datos para ser llenados por el distribuidor)

Fecha de compra y/o entrega del producto: _____

Nombre y domicilio del distribuidor donde se adquirió el producto:

Este producto está garantizado por un año a partir de la fecha de entrega, contra cualquier defecto en su funcionamiento, así como en materiales y mano de obra empleados para su fabricación. Nuestra garantía incluye la reparación o reposición del producto y/o componentes sin cargo alguno para el cliente, incluyendo mano de obra, así como los gastos de transportación razonablemente erogados derivados del cumplimiento de este certificado.

Para hacer efectiva esta garantía deberá presentar su herramienta y esta póliza sellada por el establecimiento comercial donde se adquirió el producto, de no contar con ésta, bastará la factura de compra.

EXCEPCIONES

Esta garantía no será válida en los siguientes casos:

- Cuando el producto se hubiese utilizado en condiciones distintas a las normales;
- Cuando el producto no hubiese sido operado de acuerdo con el instructivo de uso que se acompaña;
- Cuando el producto hubiese sido alterado o reparado por personas distintas a las enlistadas al final de este certificado.

Anexo encontrará una relación de sucursales de servicio de fábrica, centros de servicio autorizados y franquiciados en la República Mexicana, donde podrá hacer efectiva su garantía y adquirir partes, refacciones y accesorios originales.

Registro en línea

Gracias por su compra. Registre su producto ahora para:

- **SERVICIO EN GARANTÍA:** Si completa esta tarjeta, podrá obtener un servicio en garantía más eficiente, en caso de que exista un problema con su producto.
- **CONFIRMACIÓN DE PROPIEDAD:** En caso de una pérdida que cubra el seguro, como un incendio, una inundación o un robo, el registro de propiedad servirá como comprobante de compra.
- **PARA SU SEGURIDAD:** Si registra el producto, podremos comunicarnos con usted en el caso improbable que se deba enviar una notificación de seguridad conforme a la Federal Consumer Safety Act (Ley Federal de Seguridad de Productos para el Consumidor).

Registro en línea en www.dewalt.com/register.

Garantía limitada por tres años

DEWALT reparará, sin cargo, cualquier falla que surja de defectos en el material o la fabricación del producto, por hasta tres años a contar de la fecha de compra. Esta garantía no cubre fallas de las piezas causadas por su desgaste normal o abuso a la herramienta. Para mayores detalles sobre la cobertura de la garantía e información acerca de reparaciones realizadas bajo garantía, visítenos en www.dewalt.com o diríjase al centro de servicio más cercano. Esta garantía no aplica a accesorios o a daños causados por reparaciones realizadas o intentadas por terceros. Esta garantía le otorga derechos legales específicos, además de los cuales puede tener otros dependiendo del estado o la provincia en que se encuentre.

Además de la garantía, las herramientas DEWALT están cubiertas por:

1 AÑO DE SERVICIO GRATUITO

DEWALT mantendrá la herramienta y reemplazará las piezas gastadas por su uso normal, sin cobro, en cualquier momento durante un año a contar de la fecha de compra. Los artículos gastados por la clavadora, tales como la unidad de hoja y retorno del impulsador, no están cubiertas.

GARANTÍA DE REEMBOLSO DE SU DINERO POR 90 DÍAS

Si no está completamente satisfecho con el desempeño de su máquina herramienta, láser o clavadora DeWALT, cualquiera sea el motivo, podrá devolverlo hasta 90 días de la fecha de compra con su recibo y obtener el reembolso completo de su dinero – sin necesidad de responder a ninguna pregunta.

AMÉRICA LATINA: Esta garantía no se aplica a los productos que se venden en América Latina. Para los productos que se venden en América Latina, debe consultar la información de la garantía específica del país que viene en el empaque, llamar a la compañía local o visitar el sitio Web a fin de obtener esa información.

REEMPLAZO GRATUITO DE LAS ETIQUETAS DE ADVERTENCIAS: Si sus etiquetas de advertencia se vuelven ilegibles o faltan, llame al 1-800-4-DeWALT (1-800-433-9258) para que se le reemplacen gratuitamente.

ESPECIFICACIONES

DWE7490, DWE7491

Tensión de alimentación:	120 V c.a. ~
Consumo de corriente:	15 A
Frecuencia de alimentación:	60 Hz
Potencia nominal:	1675 W
Rotación sin carga:	4800/min

ADVERTENCIA PARA REDUCIR EL RIESGO DE LESIONES, LEA EL MANUAL DE INSTRUCCIONES ANTES DE UTILIZAR LA SIERRA. SIGA LAS INSTRUCCIONES SOBRE CÓMO REDUCIR EL RIESGO DE REBOTE. USE SIEMPRE UN EQUIPO OCULAR, AUDITIVO Y RESPIRATORIO ADECUADO. UTILICE TODOS LOS COMPONENTES DEL ENSAMBLAJE DEL PROTECTOR DE LA HOJA PARA CADA OPERACIÓN PARA LA QUE PUEDAN UTILIZARSE, INCLUIDO EL CORTE CON TRASPASO. NO REALICE NINGUNA OPERACIÓN A MANO ALZADA. NO REALICE CORTES EN PICADO. APOYE LA PIEZA DE TRABAJO CON LA MESA Y LA GUÍA O LA MESA Y EL INDICADOR DE ANGULO PARA CORTES INGLETADOS. MANTENGA LAS MANOS FUERA DE LA LÍNEA DE LA HOJA. NO EXTIENDA NUNCA LA MANO ALREDEDOR O POR ENCIMA DE LA HOJA. USE EL EMPUJADOR CUANDO SEA NECESARIO.

AVERTISSEMENT POUR RÉDUIRE TOUT RISQUE DE DOMMAGES CORPORELS, LIRE LE GUIDE D'UTILISATION AVANT TOUTE UTILISATION DE LA SCIE. SUIVRE LES INSTRUCTIONS SUR COMMENT RÉDUIRE LES RISQUES DE REBOND. PORTER SYSTÉMATIQUEMENT UN ÉQUIPEMENT ADÉQUAT DE PROTECTION OCULAIRE, AUDITIF ET RESPIRATOIRE. UTILISER SYSTÉMATIQUEMENT L'ENSEMBLE DES COMPOSANTS DU DISPOSITIF DE CARTER DE LAME POUR EFFECTUER TOUTES LES OPÉRATIONS POUR LESQUELLES IL PEUT ÊTRE UTILISÉ, Y COMPRIS LES COUPES INTÉGRALES. NE JAMAIS UTILISER LA SCIE À MAIN LEVÉE. NE FAIRE AUCUNE COUPE EN PLOMBÉE. SOUTENEZ LA PIÈCE À TRAVAILLER À LA TABLE ET DU GUIDE OU DE LA TABLE ET DU GUIDE D'ANGLE. MAINTIENEZ LES MAINS À L'ÉCART DU CHEMIN DE LAME. NE JAMAIS PASSER LES MAINS DERRIÈRE OU AU-DESSUS DE LA LAME. UTILISER LE CAS ÉCHEANT, UN POUSSOIR DE FIN DE PASSE.

DWEXXX
BLADE 10", 254mm

NOTE: USE 120 VOLT, 15 AMP BRANCH CIRCUIT AND USE 15 AMP TIME-DELAY FUSE.

WARNING TO REDUCE THE RISK OF INJURY, READ INSTRUCTION MANUAL BEFORE OPERATING SAW. FOLLOW INSTRUCTIONS ON HOW TO REDUCE THE RISK OF KICKBACK. ALWAYS USE PROPER EYE, HEARING AND RESPIRATORY EQUIPMENT. USE ALL COMPONENTS OF THE BLADE GUARD ASSEMBLY FOR EVERY OPERATION FOR WHICH THEY CAN BE USED, INCLUDING ALL THROUGH SAWING. DO NOT PERFORM ANY OPERATION FREEHAND. DO NOT PLUNGE CUT. SUPPORT WORK WITH TABLE AND FENCE OR TABLE AND MITER GAUGE. KEEP HANDS OUT OF THE LINE OF THE BLADE. NEVER REACH AROUND OR OVER BLADE. USE PUSH STICK WHEN REQUIRED.

DEWALT INDUSTRIAL TOOL CO., BALTIMORE, MD 21286 U.S.A. FOR SERVICE INFORMATION, CALL 1-800-4-DEWALT www.Dewalt.com

ADVERTENCIA PARA REDUCIR EL RIESGO DE UNA LESIÓN GRAVE, UTILICE EL CONJUNTO PROTECTOR DE LA HOJA Y LA GUARDA PARA CUCHILLA SIEMPRE QUE SEA POSIBLE, INCLUIDO PARA TODOS LOS CORTES CON SIERRA. MANTENGA LAS MANOS FUERA DE LA LÍNEA DE LA HOJA DE LA SIERRA. UTILICE UNA VARA PARA EMPUJAR SIEMPRE QUE SEA NECESARIO.

AVERTISSEMENT POUR RÉDUIRE LE RISQUE DE BLESSURES GRAVES, UTILISER LE PROTÈGE-LAME ET LE COUPEAU SÉPARATEUR POUR TOUTES LES APPLICATIONS POSSIBLES Y COMPRIS LE DÉBITAGE COMPLET. GARDER LES MAINS HORS DE LA TRAJECTOIRE DE LA LAME DE LA SCIE. UTILISER UN POUSSOIR S'IL Y A LIEU.

WARNING TO REDUCE THE RISK OF SERIOUS INJURY, USE SAW BLADE GUARD AND RIVING KNIFE FOR EVERY OPERATION FOR WHICH IT CAN BE USED, INCLUDING ALL THROUGH SAWING. KEEP HANDS OUT OF THE LINE OF SAW BLADE. USE A PUSH-STICK WHEN REQUIRED.

WARNING FOR PROPER USE AND INSTALLATION OF GUARD, RIVING KNIFE AND KICKBACK PAWLS REFER TO INSTRUCTION MANUAL.

ADVERTENCIA PARA INSTALAR Y UTILIZAR CORRECTAMENTE EL PROTECTOR, LA CUCHILLA HENEDORA Y LOS SEGUROS ANTI-REBOTE, CONSULTE EL MANUAL DE INSTRUCCIONES.

AVERTISSEMENT SE REPORTER AU MODE D'EMPLOI POUR ADEQUATES DU PROTÈGE-LAME, DU COUPEAU SÉPARATEUR ET DES CLIQUETS ANTI-EFFET DE REBOND.

WARNING USER MUST READ INSTRUCTION MANUAL FOR PROPER INSTALLATION OF ANTI-KICKBACK ASSEMBLY.

ADVERTENCIA EL USUARIO DEBE LEER EL MANUAL DE INSTRUCCIONES PARA UNA CORRECTA INSTALACIÓN DEL CONJUNTO DE ANTI-REBOTE.

AVERTISSEMENT L'UTILISATEUR DOIT LIRE LE MODE D'EMPLOI POUR CONNAÎTRE LE BON MODE D'INSTALLATION DU MODULE ANTI-REBOND.



SOLAMENTE PARA PROPÓSITO DE MÉXICO:
 IMPORTADO POR: DeWALT INDUSTRIAL TOOL CO. S.A. DE C.V.
 AVENIDA ANTONIO DOVALI JAIME, # 70 TORRE B PISO 9
 COLONIA LA FE, SANTA FÉ
 CÓDIGO POSTAL : 01210
 DELEGACIÓN ALVARO OBREGÓN
 MÉXICO D.F.
 TEL. (52) 555-326-7100
 R.F.C.: BDE810626-1W7

Para servicio y ventas consulte
 "HERRAMIENTAS ELECTRICAS"
 en la sección amarilla.

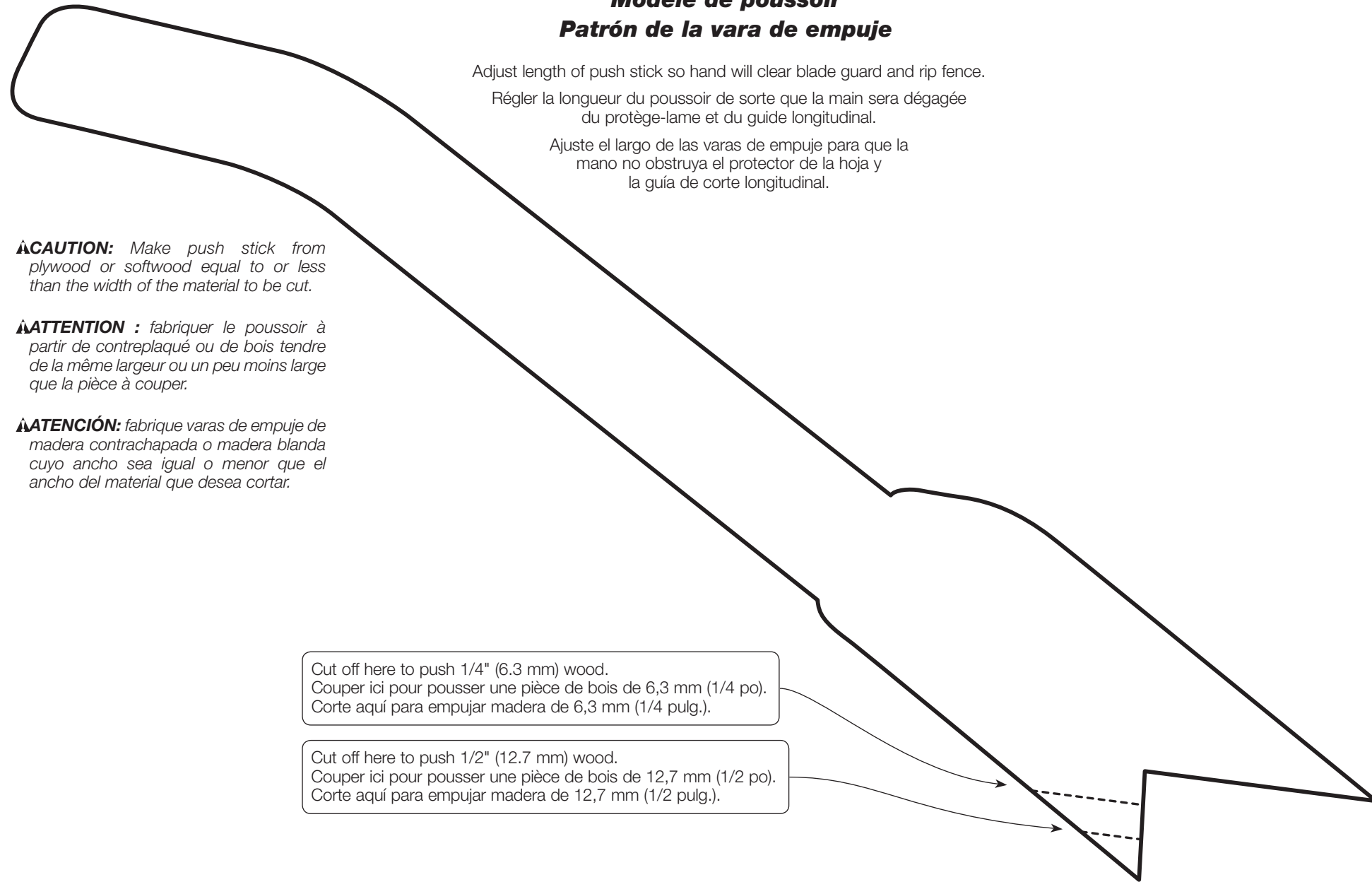


Push Stick Pattern
Modèle de poussoir
Patrón de la vara de empuje

Adjust length of push stick so hand will clear blade guard and rip fence.

Régler la longueur du poussoir de sorte que la main sera dégagée
du protège-lame et du guide longitudinal.

Ajuste el largo de las varas de empuje para que la
mano no obstruya el protector de la hoja y
la guía de corte longitudinal.



⚠CAUTION: Make push stick from
plywood or softwood equal to or less
than the width of the material to be cut.

⚠ATTENTION : fabriquer le poussoir à
partir de contreplaqué ou de bois tendre
de la même largeur ou un peu moins large
que la pièce à couper.

⚠ATENCIÓN: fabrique varas de empuje de
madera contrachapada o madera blanda
cuyo ancho sea igual o menor que el
ancho del material que desea cortar.

Cut off here to push 1/4" (6.3 mm) wood.
Couper ici pour pousser une pièce de bois de 6,3 mm (1/4 po).
Corte aquí para empujar madera de 6,3 mm (1/4 pulg.).

Cut off here to push 1/2" (12.7 mm) wood.
Couper ici pour pousser une pièce de bois de 12,7 mm (1/2 po).
Corte aquí para empujar madera de 12,7 mm (1/2 pulg.).

DEWALT Industrial Tool Co., 701 East Joppa Road, Baltimore, MD 21286

(OCT13)

Part No. N376167

DWE7490, DWE7491

Copyright © 2013 DEWALT

The following are trademarks for one or more DEWALT power tools: the yellow and black color scheme; the "D" shaped air intake grill; the array of pyramids on the handgrip; the kit box configuration; and the array of lozenge-shaped humps on the surface of the tool.