

DEWALT®



**Instruction Manual
Guide D'utilisation
Manual de instrucciones**

DWS779

12" (305 mm) Double Bevel Sliding Compound Miter Saw

Scie coulissante à onglet mixte 305 mm (12 po)

Sierra ingletadora compuesta deslizante de doble bisel de 305 mm (12")

www.DEWALT.com

**If you have questions or comments, contact us.
Pour toute question ou tout commentaire, nous contacter.
Si tiene dudas o comentarios, contáctenos.**

1-800-4-DEWALT

English (**original instructions**) 1

Français (*traduction de la notice d'instructions originale*) 14

Español (*traducido de las instrucciones originales*) 29

Definitions: Safety Alert Symbols and Words

This instruction manual uses the following safety alert symbols and words to alert you to hazardous situations and your risk of personal injury or property damage.





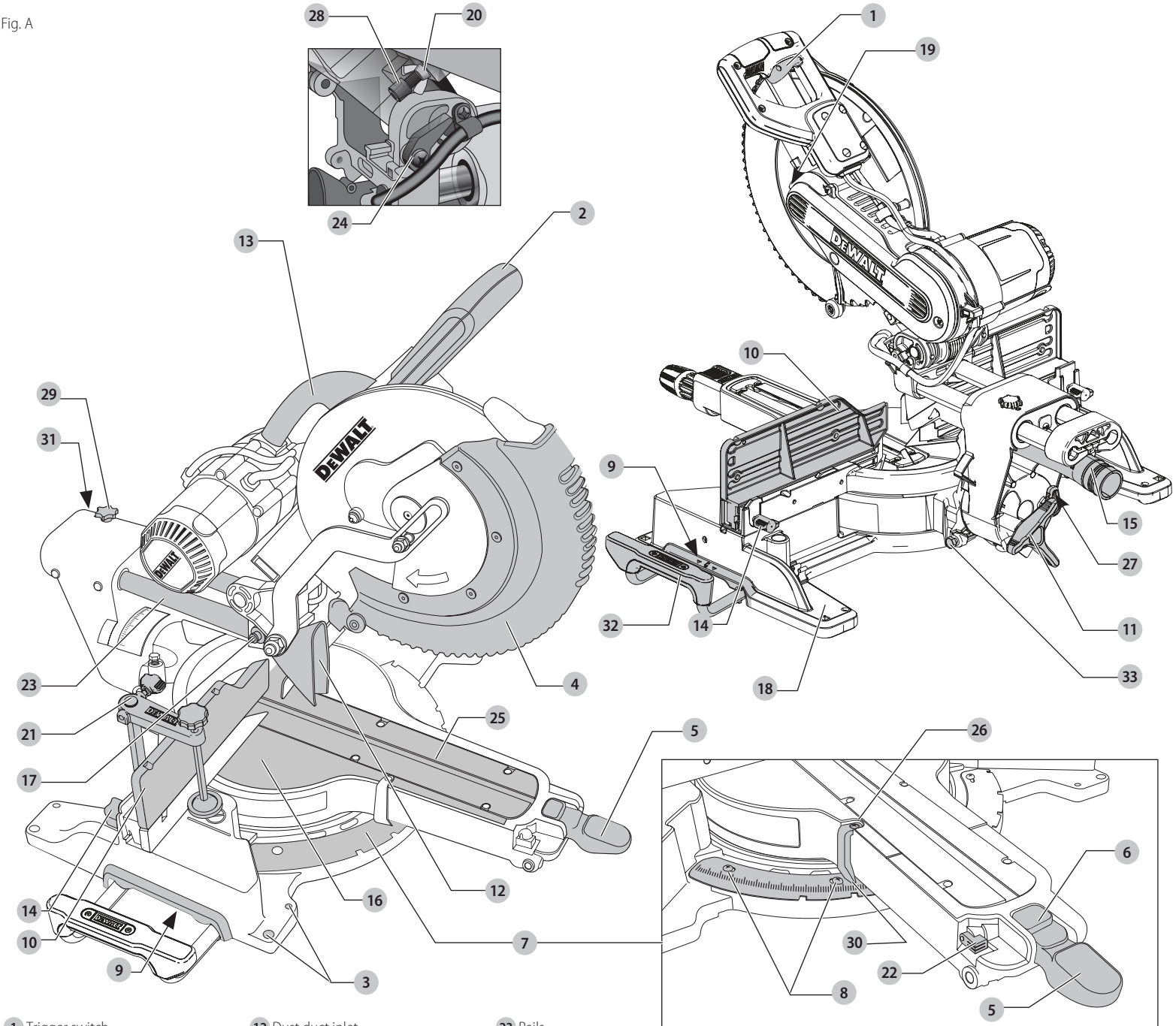


-  **DANGER:** Indicates an imminently hazardous situation which, if not avoided, **will** result in **death or serious injury**.
-  **WARNING:** Indicates a potentially hazardous situation which, if not avoided, **could** result in **death or serious injury**.
-  **CAUTION:** Indicates a potentially hazardous situation which, if not avoided, **may** result in **minor or moderate injury**.
-  (Used without word) Indicates a safety related message.
- NOTICE:** Indicates a practice **not related to personal injury** which, if not avoided, **may** result in **property damage**.

Fig. A



- | | | |
|----------------------|----------------------------|------------------------------------|
| 1 Trigger switch | 12 Dust duct inlet | 23 Rails |
| 2 Operating handle | 13 Lifting handle | 24 Depth stop |
| 3 Mounting holes | 14 Fence adjustment knob | 25 Kerf plate |
| 4 Lower guard | 15 Dust port | 26 Miter pointer screw |
| 5 Miter lock handle | 16 Table | 27 0° bevel stop |
| 6 Miter latch button | 17 Lock down pin | 28 Depth adjustment screw |
| 7 Miter scale | 18 Base | 29 Rail lock knob |
| 8 Miter scale screws | 19 Spindle lock button | 30 Miter pointer |
| 9 Hand indentations | 20 Wing nut | 31 Rail set screw adjustment |
| 10 Fence | 21 Vertical material clamp | 32 Base extension |
| 11 Bevel lock knob | 22 Miter latch override | 33 45° bevel stop adjustment screw |

 **WARNING! Read all safety warnings and all instructions.** Failure to follow the warnings and instructions may result in electric shock, fire and/or serious injury.

 **WARNING:** To reduce the risk of injury, read the instruction manual.

If you have any questions or comments about this or any DeWALT tool, call us toll free at: 1-800-4-DeWALT (1-800-433-9258).

GENERAL POWER TOOL SAFETY WARNINGS

⚠ WARNING: Read all safety warnings, instructions, illustrations and specifications provided with this power tool. Failure to follow all instructions listed below may result in electric shock, fire and/or serious injury.

SAVE ALL WARNINGS AND INSTRUCTIONS FOR FUTURE REFERENCE

The term "power tool" in the warnings refers to your mains-operated (corded) power tool or battery-operated (cordless) power tool.

1) Work Area Safety

- Keep work area clean and well lit. Cluttered or dark areas invite accidents.
- Do not operate power tools in explosive atmospheres, such as in the presence of flammable liquids, gases or dust. Power tools create sparks which may ignite the dust or fumes.
- Keep children and bystanders away while operating a power tool. Distractions can cause you to lose control.

2) Electrical Safety

- Power tool plugs must match the outlet. Never modify the plug in any way. Do not use any adapter plugs with earthed (grounded) power tools. Unmodified plugs and matching outlets will reduce risk of electric shock.
- Avoid body contact with earthed or grounded surfaces such as pipes, radiators, ranges and refrigerators. There is an increased risk of electric shock if your body is earthed or grounded.
- Do not expose power tools to rain or wet conditions. Water entering a power tool will increase the risk of electric shock.
- Do not abuse the cord. Never use the cord for carrying, pulling or unplugging the power tool. Keep cord away from heat, oil, sharp edges or moving parts. Damaged or entangled cords increase the risk of electric shock.
- When operating a power tool outdoors, use an extension cord suitable for outdoor use. Use of a cord suitable for outdoor use reduces the risk of electric shock.
- If operating a power tool in a damp location is unavoidable, use a ground fault circuit interrupter (GFCI) protected supply. Use of a GFCI reduces the risk of electric shock.

3) Personal Safety

- Stay alert, watch what you are doing and use common sense when operating a power tool. Do not use a power tool while you are tired or under the influence of drugs, alcohol or medication. A moment of inattention while operating power tools may result in serious personal injury.
- Use personal protective equipment. Always wear eye protection. Protective equipment such as dust mask, non-skid safety shoes, hard hat, or hearing protection used for appropriate conditions will reduce personal injuries.
- Prevent unintentional starting. Ensure the switch is in the off position before connecting to power source and/or battery pack, picking up or carrying the tool. Carrying power tools with your finger on the switch or energizing power tools that have the switch on invites accidents.
- Remove any adjusting key or wrench before turning the power tool on. A wrench or a key left attached to a rotating part of the power tool may result in personal injury.
- Do not overreach. Keep proper footing and balance at all times. This enables better control of the power tool in unexpected situations.
- Dress properly. Do not wear loose clothing or jewelry. Keep your hair, clothing and gloves away from moving parts. Loose clothes, jewelry or long hair can be caught in moving parts.
- If devices are provided for the connection of dust extraction and collection facilities, ensure these are connected and properly used. Use of dust collection can reduce dust-related hazards.
- Do not let familiarity gained from frequent use of tools allow you to become complacent and ignore tool safety principles. A careless action can cause severe injury within a fraction of a second.

4) Power Tool Use and Care

- Do not force the power tool. Use the correct power tool for your application. The correct power tool will do the job better and safer at the rate for which it was designed.
- Do not use the power tool if the switch does not turn it on and off. Any power tool that cannot be controlled with the switch is dangerous and must be repaired.
- Disconnect the plug from the power source and/or the battery pack from the power tool before making any adjustments, changing accessories, or storing power tools. Such preventive safety measures reduce the risk of starting the power tool accidentally.
- Store idle power tools out of the reach of children and do not allow persons unfamiliar with the power tool or these instructions to operate the power tool. Power tools are dangerous in the hands of untrained users.
- Maintain power tools. Check for misalignment or binding of moving parts, breakage of parts and any other condition that may affect the power tool's operation. If damaged, have the power tool repaired before use. Many accidents are caused by poorly maintained power tools.
- Keep cutting tools sharp and clean. Properly maintained cutting tools with sharp cutting edges are less likely to bind and are easier to control.
- Use the power tool, accessories and tool bits, etc. in accordance with these instructions, taking into account the working conditions and the work to be

performed. Use of the power tool for operations different from those intended could result in a hazardous situations.

- Keep handles and grasping surfaces dry, clean and free from oil and grease. Slippery handles and grasping surfaces do not allow for safe handling and control of the tool in unexpected situations.



5) Service


- Have your power tool serviced by a qualified repair person using only identical replacement parts. This will ensure that the safety of the power tool is maintained.


Safety Instructions for Miter Saws

- Miter saws are intended to cut wood or wood-like products, they cannot be used with abrasive cut-off wheels for cutting ferrous material such as bars, rods, studs, etc. Abrasive dust causes moving parts such as the lower guard to jam. Sparks from abrasive cutting will burn the lower guard, the kerf insert and other plastic parts.
- Use clamps to support the workpiece whenever possible. If supporting the workpiece by hand, you must always keep your hand at least 4" (100 mm) from either side of the saw blade. Do not use this saw to cut pieces that are too small to be securely clamped or held by hand. If your hand is placed too close to the saw blade, there is an increased risk of injury from blade contact.
- The workpiece must be stationary and clamped or held against both the fence and the table. Do not feed the workpiece into the blade or cut "freehand" in any way. Unrestrained or moving workpieces could be thrown at high speeds, causing injury.
- Push the saw through the workpiece. Do not pull the saw through the workpiece. To make a cut, raise the saw head and pull it out over the workpiece without cutting, start the motor, press the saw head down and push the saw through the workpiece. Cutting on the pull stroke is likely to cause the saw blade to climb on top of the workpiece and violently throw the blade assembly towards the operator.
- Never cross your hand over the intended line of cutting either in front or behind the saw blade. Supporting the workpiece "cross handed" i.e. holding the workpiece to the right of the saw blade with your left hand or vice versa is very dangerous.
- Do not reach behind the fence with either hand closer than 4" (100 mm) from either side of the saw blade, to remove wood scraps, or for any other reason while the blade is spinning. The proximity of the spinning saw blade to your hand may not be obvious and you may be seriously injured.
- Inspect your workpiece before cutting. If the workpiece is bowed or warped, clamp it with the outside bowed face toward the fence. Always make certain that there is no gap between the workpiece, fence and table along the line of the cut. Bent or warped workpieces can twist or shift and may cause binding on the spinning saw blade while cutting. There should be no nails or foreign objects in the workpiece.
- Do not use the saw until the table is clear of all tools, wood scraps, etc., except for the workpiece. Small debris or loose pieces of wood or other objects that contact the revolving blade can be thrown with high speed.
- Cut only one workpiece at a time. Stacked multiple workpieces cannot be adequately clamped or braced and may bind on the blade or shift during cutting.
- Ensure the miter saw is mounted or placed on a level, firm work surface before use. A level and firm work surface reduces the risk of the miter saw becoming unstable.
- Plan your work. Every time you change the bevel or miter angle setting, make sure the fence will not interfere with the blade or the guarding system. Without turning the tool "ON" and with no workpiece on the table, move the saw blade through a complete simulated cut to assure there will be no interference or danger of cutting the fence.
- Provide adequate support such as table extensions, saw horses, etc. for a workpiece that is wider or longer than the table top. Workpieces longer or wider than the miter saw table can tip if not securely supported. If the cut-off piece or workpiece tips, it can lift the lower guard or be thrown by the spinning blade.
- Do not use another person as a substitute for a table extension or as additional support. Unstable support for the workpiece can cause the blade to bind or the workpiece to shift during the cutting operation pulling you and the helper into the spinning blade.
- The cut-off piece must not be jammed or pressed by any means against the spinning saw blade. If confined, i.e. using length stops, the cut-off piece could get wedged against the blade and thrown violently.
- Always use a clamp or a fixture designed to properly support round material such as rods or tubing. Rods have a tendency to roll while being cut, causing the blade to "bite" and pull the work with your hand into the blade.
- Let the blade reach full speed before contacting the workpiece. This will reduce the risk of the workpiece being thrown.
- If the workpiece or blade becomes jammed, turn the miter saw off. Wait for all moving parts to stop and disconnect the plug from the power source and/or remove the battery pack. Then work to free the jammed material. Continued sawing with a jammed workpiece could cause loss of control or damage to the miter saw.
- After finishing the cut, release the switch, hold the saw head down and wait for the blade to stop before removing the cut-off piece. Reaching with your hand near the coasting blade is dangerous.
- Hold the handle firmly when making an incomplete cut or when releasing the switch before the saw head is completely in the down position. The braking action of the saw may cause the saw head to be suddenly pulled downward, causing a risk of injury.


Additional Safety Rules for Miter Saws

-  **WARNING:** Do not allow familiarity (gained from frequent use of your saw) to replace safety rules. Always remember that a careless fraction of a second is sufficient to inflict severe injury.
-  **WARNING:** Never modify the power tool or any part of it. Damage or personal injury could result.
- **DO NOT OPERATE THIS MACHINE** until it is completely assembled and installed according to the instructions. A machine incorrectly assembled can cause serious injury.
- **OBTAIN ADVICE** from your supervisor, instructor, or another qualified person if you are not thoroughly familiar with the operation of this machine. Knowledge is safety.
- **FOLLOW ALL WIRING CODES** and recommended electrical connections to prevent shock or electrocution. Protect electric supply line with at least a 15 ampere time-delay fuse or a circuit breaker.
- **MAKE CERTAIN** the blade rotates in the correct direction. The teeth on the blade should point in the direction of rotation as marked on the saw.
- **TIGHTEN ALL CLAMP HANDLES**, knobs and levers prior to operation. Loose clamps can cause parts or the workpiece to be thrown at high speeds.
- **BE SURE** all blade and blade clamps are clean, recessed sides of blade clamps are against blade and arbor screw is tightened securely. Loose or improper blade clamping may result in damage to the saw and possible personal injury.
- **DO NOT OPERATE ON ANYTHING OTHER THAN THE DESIGNATED VOLTAGE** for the saw. Overheating, damage to the tool and personal injury may occur.
- **DO NOT WEDGE ANYTHING AGAINST THE FAN** to hold the motor shaft. Damage to tool and possible personal injury may occur.
- **NEVER CUT FERROUS METALS** or masonry. Either of these can cause the carbide tips to fly off the blade at high speeds causing serious injury.
- **NEVER PLACE HANDS CLOSER THAN 4" (100 mm) FROM THE BLADE.**
- **NEVER HAVE ANY PART OF YOUR BODY IN LINE WITH THE PATH OF THE SAW BLADE.** Personal injury will occur.
- **NEVER APPLY BLADE LUBRICANT TO A RUNNING BLADE.** Applying lubricant could cause your hand to move into the blade resulting in serious injury.
- **DO NOT** place either hand in the blade area when the saw is connected to the power source. Inadvertent blade activation may result in serious injury.
- **NEVER REACH AROUND OR BEHIND THE SAW BLADE.** A blade can cause serious injury.
- **DO NOT REACH UNDERNEATH THE SAW** unless it is unplugged and turned off. Contact with saw blade may cause personal injury.
- **SECURE THE MACHINE TO A STABLE SUPPORTING SURFACE.** Vibration can possibly cause the machine to slide, walk, or tip over, causing serious injury.
- **USE ONLY CROSSCUT SAW BLADES** recommended for miter saws. For best results, do not use carbide tipped blades with hook angles in excess of 7 degrees. Do not use blades with deep gullets. These can deflect and contact the guard, and can cause damage to the machine and/or serious injury.
- **USE ONLY BLADES OF THE CORRECT SIZE AND TYPE** specified for this tool to prevent damage to the machine and/or serious injury.
- **INSPECT BLADE FOR CRACKS** or other damage prior to operation. A cracked or damaged blade can come apart and pieces can be thrown at high speeds, causing serious injury. Replace cracked or damaged blades immediately.
- **CLEAN THE BLADE AND BLADE CLAMPS** prior to operation. Cleaning the blade and blade clamps allows you to check for any damage to the blade or blade clamps. A cracked or damaged blade or blade clamp can come apart and pieces can be thrown at high speeds, causing serious injury.
- **DO NOT USE WARPED BLADES.** Check to see if the blade runs true and is free from vibration. A vibrating blade can cause damage to the machine and/or serious injury.
- **DO NOT** use lubricants or cleaners (particularly spray or aerosol) in the vicinity of the plastic guard. The polycarbonate material used in the guard is subject to attack by certain chemicals.
- **KEEP GUARD IN PLACE** and in working order.
- **ALWAYS USE THE KERF PLATE AND REPLACE THIS PLATE WHEN DAMAGED.** Small chip accumulation under the saw may interfere with the saw blade or may cause instability of workpiece when cutting.
- **USE ONLY BLADE CLAMPS SPECIFIED FOR THIS TOOL** to prevent damage to the machine and/or serious injury.
- **CLEAN THE MOTOR AIR SLOTS** of chips and sawdust. Clogged motor air slots can cause the machine to overheat, damaging the machine and possibly causing a short which could cause serious injury.
- **NEVER LOCK THE SWITCH IN THE "ON" POSITION.** Severe personal injury may result.
- **NEVER STAND ON TOOL.** Serious injury could occur if the tool is tipped or if the cutting tool is unintentionally contacted.
- **ADDITIONAL INFORMATION** regarding the safe and proper operation of power tools (i.e., a safety video) is available from the Power Tool Institute, 1300 Sumner Avenue, Cleveland, OH 44115-2851 (www.powertoolinstitute.com). Information is also available from the National Safety Council, 1121 Spring Lake Drive, Itasca, IL 60143-3201. Please refer to the American National Standards Institute ANSI O1.1 Safety Requirements for Woodworking Machines and the U.S. Department of Labor OSHA 1910.213 Regulations.

 **WARNING:** Cutting plastics, sap coated wood, and other materials may cause melted material to accumulate on the blade tips and the body of the saw blade, increasing the risk of blade overheating and binding while cutting.

 **WARNING: ALWAYS** use safety glasses. Everyday eyeglasses are NOT safety glasses. Also use face or dust mask if cutting operation is dusty. ALWAYS WEAR CERTIFIED SAFETY EQUIPMENT:


- ANSI Z87.1 eye protection (CAN/CSA Z94.3),
- ANSI S12.6 (S3.19) hearing protection,
- NIOSH/OSHA/MSHA respiratory protection.


 **WARNING:** Some dust created by power sanding, sawing, grinding, drilling, and other construction activities contains chemicals known to the State of California to cause cancer, birth defects or other reproductive harm. Some examples of these chemicals are:

- lead from lead-based paints,
- crystalline silica from bricks and cement and other masonry products, and
- arsenic and chromium from chemically-treated lumber.

Your risk from these exposures varies, depending on how often you do this type of work. To reduce your exposure to these chemicals: work in a well ventilated area, and work with approved safety equipment, such as those dust masks that are specially designed to filter out microscopic particles.

- **Avoid prolonged contact with dust from power sanding, sawing, grinding, drilling, and other construction activities. Wear protective clothing and wash exposed areas with soap and water.** Allowing dust to get into your mouth, eyes, or lay on the skin may promote absorption of harmful chemicals.




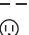








 **WARNING:** Use of this tool can generate and/or disperse dust, which may cause serious and permanent respiratory or other injury. Always use NIOSH/OSHA approved respiratory protection appropriate for the dust exposure. Direct particles away from face and body.

 **WARNING: Always wear proper personal hearing protection that conforms to ANSI S12.6 (S3.19) during use.** Under some conditions and duration of use, noise from this product may contribute to hearing loss.

- **Air vents often cover moving parts and should be avoided.** Loose clothes, jewelry or long hair can be caught in moving parts.
- **An extension cord must have adequate wire size (AWG or American Wire Gauge) for safety.** The smaller the gauge number of the wire, the greater the capacity of the cable, that is, 16 gauge has more capacity than 18 gauge. An undersized cord will cause a drop in line voltage resulting in loss of power and overheating. When using more than one extension to make up the total length, be sure each individual extension contains at least the minimum wire size. The following table shows the correct size to use depending on cord length and nameplate ampere rating. If in doubt, use the next heavier gauge. The lower the gauge number, the heavier the cord.

Minimum Gauge for Cord Sets					
Volts	Total Length of Cord in Feet (meters)				
	120 V	25 (7.6)	50 (15.2)	100 (30.5)	150 (45.7)
240 V	50 (15.2)	100 (30.5)	200 (61.0)	300 (91.4)	
Ampere Rating		American Wire Gauge			
More Than	Not More Than				
0	6	18	16	16	14
6	10	18	16	14	12
10	12	16	16	14	12
12	16	14	12	Not Recommended	

The label on your tool may include the following symbols. The symbols and their definitions are as follows:

- | | | | |
|---|---------------------------------------|---|--|
| V | volts |  | or AC..... alternating current |
| Hz | hertz |  | or AC/DC.... alternating or direct current |
| min | minutes |  | Class II Construction (double insulated) |
|  | or DC..... direct current | n ₀ | no load speed |
|  | Class I Construction (grounded) | n | rated speed |
| .../min..... | per minute |  | earthing terminal |
| BPM..... | beats per minute |  | safety alert symbol |
| IPM..... | impacts per minute |  | visible radiation |
| RPM..... | revolutions per minute |  | wear respiratory protection |
| sfpm..... | surface feet per minute |  | wear eye protection |
| SPM..... | strokes per minute |  | wear hearing protection |
| A..... | amperes |  | read all documentation |
| W..... | watts | | |

For your convenience and safety, the following warning labels are on your miter saw.

ON MOTOR ENDCAP:

TO REDUCE THE RISK OF INJURY, USER MUST READ INSTRUCTION MANUAL. WEAR EYE PROTECTION AND RESPIRATORY PROTECTION. USE ONLY IDENTICAL REPLACEMENT PARTS. DO NOT EXPOSE TO RAIN OR USE IN DAMP LOCATIONS.

ON FENCE:

ALWAYS ADJUST FENCE PROPERLY BEFORE USE. CLAMP SMALL PIECES BEFORE CUTTING. SEE MANUAL.

ON GUARD:**DANGER—KEEP AWAY FROM BLADE.****ON UPPER GUARD:****PROPERLY SECURE BRACKET WITH BOTH SCREWS BEFORE USE.****ON TABLE: (2 PLACES)**

WARNING: KEEP HANDS AND BODY OUT OF THE PATH OF THE SAW BLADE. CONTACT WITH BLADE WILL RESULT IN SERIOUS INJURY. DO NOT OPERATE SAW WITHOUT GUARDS IN PLACE. CHECK GUARDING SYSTEM TO MAKE SURE IT IS FUNCTIONING CORRECTLY. DO NOT PERFORM ANY OPERATION FREEHAND. NEVER REACH IN BACK OF SAW BLADE TURN OFF TOOL AND WAIT FOR SAW BLADE TO STOP BEFORE MOVING WORKPIECE OR CHANGING SETTINGS OR MOVING HANDS. NEVER CROSS ARMS IN FRONT OF BLADE. ALWAYS TIGHTEN ADJUSTMENT KNOBS BEFORE EACH USE. DISCONNECT POWER BEFORE CHANGING BLADE OR SERVICING.

**ON TABLE: (2 PLACES)****Double Insulation**

Double insulated tools are constructed throughout with two separate layers of electrical insulation or one single layer of reinforced insulation between you and the tool's electrical system. Tools built with this insulation system are not intended to be grounded. As a result, your tool is equipped with a two prong plug which permits you to use extension cords without concern for maintaining a ground connection.

NOTE: Double insulation does not take the place of normal safety precautions when operating this tool. The secondary insulation system is for protection against injury resulting from a possible failure of the primary insulation within the tool.

CAUTION: WHEN SERVICING USE ONLY IDENTICAL REPLACEMENT PARTS. Repair or replace damaged cords.

Polarized Plugs

Polarized plugs (one blade is wider than the other) are used on equipment to reduce the risk of electric shock. When provided, this plug will fit in the polarized outlet only one way. If the plug does not fit fully in the outlet, reverse the plug. If it still does not fit, contact a qualified electrician to install the proper outlet. Do not change the plug in any way.

Electrical Connection

Be sure your power supply agrees with the nameplate marking. 120 volts, AC means that your saw will operate on alternating current only. A voltage decrease of 10 percent or more will cause a loss of power and overheating. All DeWALT tools are factory tested. If this tool does not operate, check the power supply.

Specifications**Capacity of cut**

50° miter left and 60° miter right	
49° bevel left and right	
0° miter	
Max. Height 4.4" (112 mm)	Resulting Width 9.1" (231 mm)
Max. Width 13.75" (349 mm)	Resulting Height 3.0" (76 mm)
45° miter	
Max. Height 4.4" (112 mm)	Resulting Width 5.8" (147 mm)
Max. Width 9.6" (244 mm)	Resulting Height 3.0" (76 mm)
45° bevel - Left	
Max. Height 3.1" (79 mm)	Resulting Width 11.4" (290 mm)
Max. Width 13.75" (349 mm)	Resulting Height 1.7" (43 mm)
45° bevel - Right	
Max. Width 2.2" (56 mm)	Resulting Height 11.4" (290 mm)
Max. Height 13.75" (349 mm)	Resulting Width 1.1" (28 mm)

Your saw is capable of cutting baseboard moldings 0.75" (19 mm) thick by 6.5" (165 mm) tall on a 45° right or left miter.

Drive

120 Volt motor
15 Amp motor
3800 RPM
Cut helical gears
Multi-V belt
Carbide tooth blade
Automatic electric brake

Unpacking Your Saw

Check the contents of your miter saw carton to make sure that you have received all parts. In addition to this instruction manual, the carton should contain:

- 1 DWS779 miter saw
- 1 DeWALT 12" (305 mm) diameter saw blade

In bag:

- 1 Blade wrench
- 1 Material clamp
- 2 Lock washers
- 2 Wing nuts
- 1 Dust bag
- 1 Base extension (right)
- 1 Base extension (left)
- 1 Instruction manual

Intended Use

This heavy duty miter saw is designed for professional wood cutting applications.

DO NOT use under wet conditions or in presence of flammable liquids or gases.

This miter saw is a professional power tool. **DO NOT** let children come into contact with the tool. Supervision is required when inexperienced operators use this tool.

Familiarization (Fig. A, B)

Your miter saw is not fully assembled in the carton. Refer to the **Assembly and Adjustments** section for assembly instructions. Open the box and lift the saw out by the convenient the lifting handle **13**, as shown in Figure B.

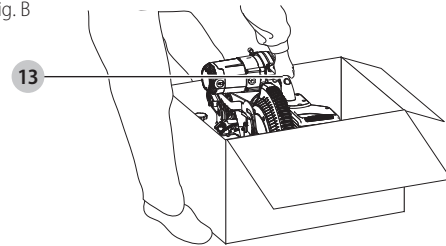
Place the saw on a smooth, flat surface such as a workbench or strong table.

Examine Figure A to become familiar with the saw and its various parts. The section on adjustments will refer to these terms and you must know what and where the parts are.

CAUTION: Pinch Hazard. To reduce the risk of injury, keep thumb underneath the handle when pulling the handle down. The lower guard will move up as the handle is pulled down which could cause pinching. The handle is placed close to the guard for special cuts.

Press down lightly on the operating handle **2** and pull lock down pin **17**. Gently release the downward pressure and hold the arm allowing it to rise to its full height. Use the lock down pin when carrying the saw from one place to another. Always use the lifting handle **13** to transport the saw or the hand indentations **9** shown in Figure A.

Fig. B

**Bench Mounting (Fig. A)**

Mounting holes **3** are provided in all 4 feet to facilitate bench mounting, as shown in Figure A. (Two different-sized holes are provided to accommodate different sizes of screws. Use either hole, it is not necessary to use both.) Always mount your saw firmly to a stable surface to prevent movement. To enhance the tool's portability, it can be mounted to a piece of 1/2" (12.7 mm) or thicker plywood which can then be clamped to your work support or moved to other job sites and reclamped.

NOTE: If you elect to mount your saw to a piece of plywood, make sure that the mounting screws don't protrude from the bottom of the wood. The plywood must sit flush on the work support. When clamping the saw to any work surface, clamp only on the clamping bosses where the mounting screw holes are located. Clamping at any other point will surely interfere with the proper operation of the saw.

CAUTION: To prevent binding and inaccuracy, be sure the mounting surface is not warped or otherwise uneven. If the saw rocks on the surface place a thin piece of material under one saw foot until the saw sits firmly on the mounting surface.

Transporting the Saw (Fig. A)

WARNING: To reduce the risk of serious personal injury, turn off the tool and disconnect it from the power source before attempting to move it, change accessories or make any adjustments.

WARNING: To reduce the risk of serious personal injury, always lock the rail lock knob **29**, miter lock handle **5**, bevel lock knob **11**, lock down pin **17** and fence adjustment knobs **14** before transporting saw.

In order to conveniently carry the miter saw from place to place, a lifting handle **13** has been included on the top of the saw arm and hand indentations **9** in the base, as shown in Figure A. To transport the saw, lower the arm of the saw and press in the lock down pin **17** to secure the arm.

ASSEMBLY AND ADJUSTMENTS

WARNING: To reduce the risk of serious personal injury, turn unit off and disconnect it from power source before making any adjustments or removing/installing attachments or accessories. An accidental start-up can cause injury.

NOTE: Your miter saw is fully and accurately adjusted at the factory at the time of manufacture. If readjustment due to shipping and handling or any other reason is required, follow the steps below to adjust your saw.

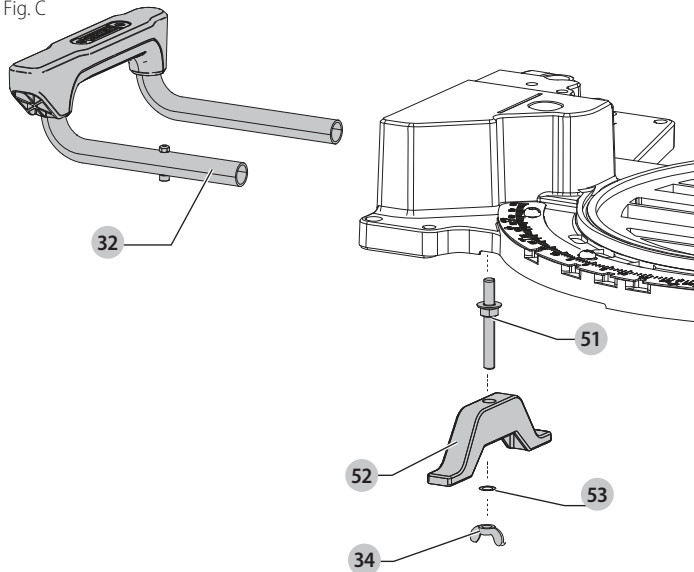
Once made, these adjustments should remain accurate. Take a little time now to follow these directions carefully to maintain the accuracy of which your saw is capable.

Assembling the Base Extensions (Fig. C)

WARNING: Base extensions must be assembled to both sides of the saw's base before using the saw.

1. Locate the preassembled threaded stud **51** underneath the saw's base.
2. The extension **32** should be oriented as shown in the illustration, sliding fully rearward in the U-shaped supports.
3. Clamp the extension's rods against the miter saw base by inserting the clamp **52** over the threaded stud, followed by the washer **53**, and tightening the wing nut **34**. Ensure the extension is secure by pulling on the extension to verify no movement.
4. Repeat steps 1 through 3 on the other side.

Fig. C



Changing or Installing a New Saw Blade (Fig. A, D–F)

WARNING: To reduce the risk of serious personal injury, turn off the tool and disconnect it from the power source before attempting to move it, change accessories or make any adjustments.

CAUTION:

- Never depress the spindle lock button while the blade is under power or coasting.
- Do not cut ferrous metal (containing iron or steel) or masonry or fiber cement product with this miter saw.

Removing the Blade

1. Unplug the saw.
2. Raise the arm to the upper position and raise the lower guard **4** as far as possible.
3. Loosen, but do not remove guard bracket screw **54** until the bracket can be raised far enough to access the blade screw **35**. Lower guard will remain raised due to the position of the guard bracket screw.
4. Depress the spindle lock button **19** while carefully rotating the saw blade by hand until the lock engages.
5. Keeping the button depressed, use the other hand and the blade wrench **37** provided to loosen the blade screw. (Turn clockwise, left-hand threads.)

Fig. D

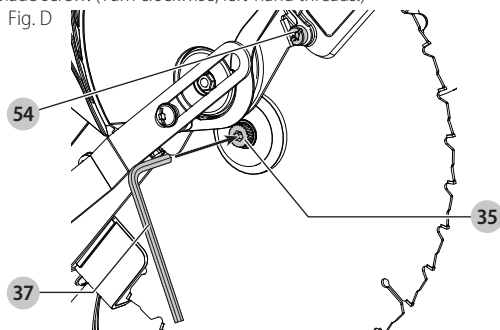
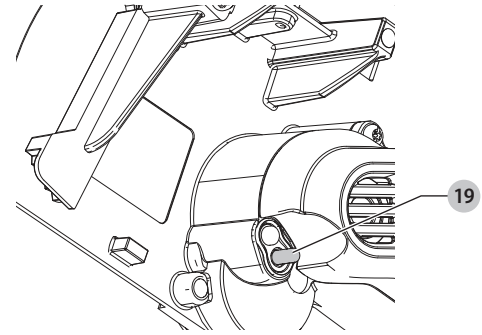


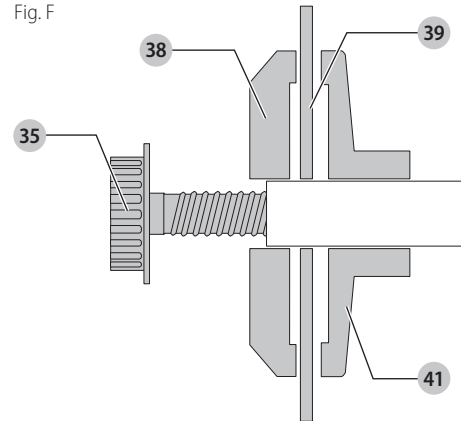
Fig. E



6. Remove the blade screw **35**, outer blade clamp **38**, and blade **39**. The inner clamp clamp **41** and if used, the 1" (25.4 mm) blade adapter, may be left on the spindle.

NOTE: For blades with a blade hole of 5/8" (15.88 mm), the 1" (25.4 mm) blade adapter is not used.

Fig. F



Installing a Blade

1. Unplug the saw.
2. With the arm raised, the lower guard held open and the guard bracket raised, place the blade on the spindle, onto the blade adapter [if using a blade with a 1" (25.4 mm) diameter blade hole] and against the inner blade clamp with the teeth at the bottom of the blade pointing toward the back of the saw.
3. Assemble the outer blade clamp onto the spindle.
4. Install the blade screw **35** and, engaging the spindle lock, tighten the screw firmly with the blade wrench provided. (Turn counterclockwise, left-hand threads.)
5. Return the guard bracket to its original position and firmly tighten the guard bracket screw **54** to hold bracket in place.



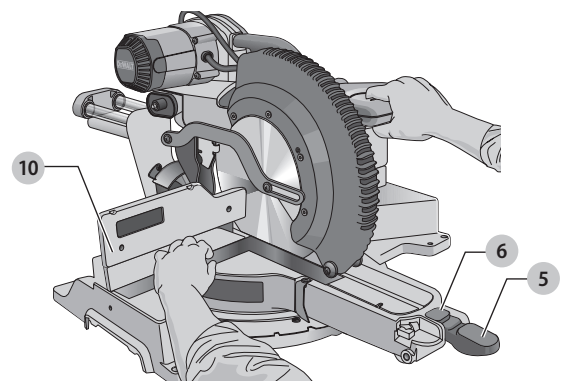
WARNING:

- The guard bracket must be returned to its original position and the screw tightened before activating the saw.
- Failure to do so may allow the guard to contact the spinning saw blade resulting in damage to the saw and severe personal injury.

Miter Scale Adjustment (Fig. A, G)

Unlock the miter lock handle **5** and swing the miter arm until the miter latch button **6** locks it at the 0° miter position. Do not lock the miter lock handle. Place a square against the saw's fence and blade, as shown. (Do not touch the tips of the blade teeth with the square. To do so will cause an inaccurate measurement.) If the saw blade is not exactly perpendicular to the fence **10**, loosen the four miter scale screws **8** that hold the miter scale and move the miter lock handle and the scale left or right until the blade is perpendicular to the fence, as measured with the square. Retighten the four screws. Pay no attention to the reading of the miter pointer at this time.

Fig. G



Miter Pointer Adjustment (Fig. A)

Unlock the miter lock handle **5** to move the miter arm to the zero position. With the miter lock handle unlocked, allow the miter latch to snap into place as you rotate the miter arm to zero. Observe the miter pointer **30** and miter scale **7** shown in Figure A. If the pointer does not indicate exactly zero, loosen the miter pointer screw **26** holding the pointer in place, reposition the pointer and tighten the screw.

Bevel Square to Table (Fig. A, H, I)

To align the blade square to the table **16**, lock the arm in the down position with the lock down pin **17**. Place a square against the blade, ensuring the square is not on top of a tooth. Loosen the bevel lock knob **11** and ensure the arm is firmly against the 0° bevel stop. Rotate the 0° bevel adjustment screw **42** with the 1/2" blade wrench as necessary so that the blade is at 0° bevel to the table.

Fig. H

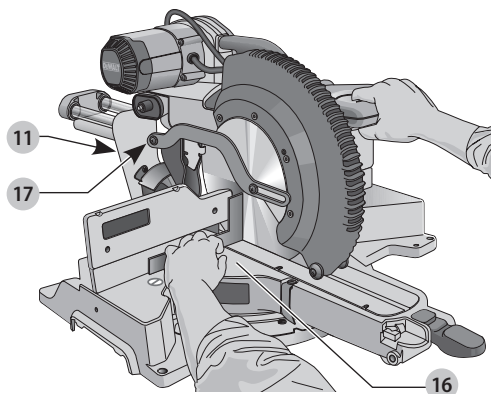
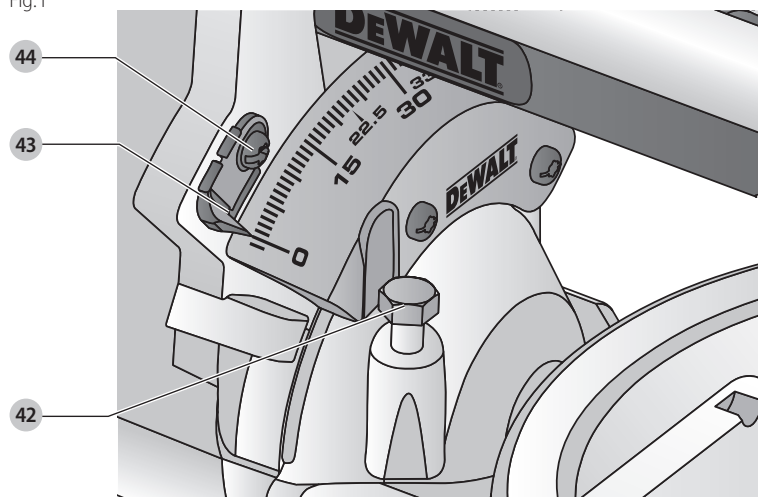


Fig. I



Bevel Pointer (Fig. I)

If the bevel pointer **43** does not indicate zero, loosen the screw **44** that holds it in place and move the pointer as necessary. Ensure the 0° bevel is correct and the bevel pointers are set before adjusting any other bevel angle screws.

Adjusting the Bevel Stop to 45° Left or Right (Fig. A, I)

To adjust the right 45° bevel angle, loosen the bevel lock knob **11** and pull the 0° bevel stop to override the 0° bevel stop. When the saw is fully to the right, if the bevel pointer does not indicate exactly 45°, turn the left 45° bevel adjustment screw **33** (Fig. A) with the 1/2" blade wrench until the bevel pointer **43** indicates 45°.

To adjust the left 45° bevel stop, first loosen the bevel lock knob and tilt the head to the left. If the bevel pointer does not indicate exactly 45°, turn the right 45° bevel adjustment screw until the bevel pointer reads 45°.

Fence Adjustment (Fig. A)

In order that the saw can bevel to many bevel positions, one of the fences may have to be adjusted to provide clearance. To adjust each fence, loosen the fence adjustment knob **14** and slide the fence outward. Make a dry run with the saw turned off and check for clearance. Adjust the fence to be as close to the blade as practical to provide maximum workpiece support, without interfering with arm up and down movement. Tighten the fence adjustment knob securely. When the bevel operations are complete, don't forget to relocate the fence.

For certain cuts, it may be desirable to bring the fences closer to the blade. To use this feature, back the fence adjustment knobs out two turns and move the fences closer to the blade past the normal limit, then tighten the fence adjustment knobs to keep the fences in this location. When using this feature, make a dry cut first to ensure the blade does not contact the fences.

NOTE: The tracks of the fences can become clogged with sawdust. If you notice that they are becoming clogged, use a brush or some low pressure air to clear the guide grooves.

Guard Actuation and Visibility (Fig. A, Y)

CAUTION: Pinch Hazard. To reduce the risk of injury, keep thumb underneath the handle when pulling the handle down. The lower guard will move up as the handle is pulled down which could cause pinching.

The lower guard **4** on your saw has been designed to automatically uncover the blade when the arm is brought down and to cover the blade when the arm is raised.

The guard can be raised by hand when installing or removing saw blades or for inspection of the saw. NEVER RAISE THE LOWER GUARD MANUALLY UNLESS THE BLADE IS STOPPED.

NOTE: Certain special cuts of large material will require that you manually raise the guard. Refer to **Cutting Large Material** under *Special Cuts*.

The front section of the guard is louvered for visibility while cutting. Although the louvers dramatically reduce flying debris, they are openings in the guard and safety glasses should be worn at all times when viewing through the louvers.

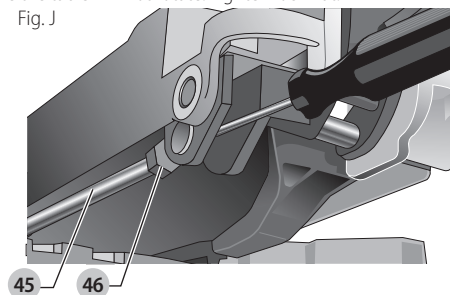
Rail Guide Adjustment (Fig. A)

Periodically check the rails **23** for any play or clearance. The right rail can be adjusted with the rail set screw **31** shown in Figure A. To reduce clearance, use a 4 mm hex wrench and rotate the rail set screw clockwise gradually while sliding the saw head back and forth. Reduce play while maintaining minimum slide force.

Miter Lock Adjustment (Fig. A, J)

The miter lock rod **45** should be adjusted if the table of the saw can be moved when the miter lock handle **5** is locked (down). To adjust the miter lock, put the miter lock handle in the unlocked (up) position. Using a 1/2" open end wrench, loosen the lock **46** nut on the miter lock rod. Using a slotted screwdriver, tighten the miter lock rod by turning it clockwise. Turn the lock rod until it is snug, then turn counterclockwise one turn. To ensure the miter lock is functioning properly, re-lock the miter lock to a non-detented measurement on the miter scale – for example, 34° – and make sure the table will not rotate. Tighten lock nut.

Fig. J



Controls

Your compound miter saw has several main controls, which will be discussed briefly here. For more information on these controls, see the respective sections later in the manual.

Miter Control (Fig. A)

The miter lock handle **5** and miter latch button **6** allow you to miter your saw to 60° right and 50° left. To miter the saw, lift the miter lock handle, push the miter latch button and set the miter angle desired on the miter scale **7**. Push down on the miter lock handle to lock the miter angle.

Trigger Switch (Fig. A)

The trigger switch **1** turns your saw on and off. A hole is provided in the trigger for insertion of a padlock to secure the saw.

Miter Latch Override (Fig. A)

The miter latch override **22** allows your saw to override the common stop angles. To override the common stop angles, push the miter latch button **6** and flip the miter latch override lever to the vertical position.

Bevel Lock Knob (Fig. A)

The bevel lock knob **11** allows you to bevel the saw 49° left or right. To adjust the bevel setting, turn the knob counterclockwise. The saw head bevels easily to the left or to the right once the 0° bevel override knob is pulled. To tighten, turn the bevel lock knob clockwise.

0° Bevel Override (Fig. A)

The bevel stop override allows you to bevel the saw to the right past the 0° mark.

When engaged, the saw will automatically stop at 0° when brought up from the left. To temporarily move past 0° to the right, pull the bevel lock knob **11**. Once the knob is released, the override will be reengaged. The bevel lock knob can be locked out by twisting the knob 180°.

When at 0°, the override locks in place. To operate the override, bevel the saw slightly to the left.

45° Bevel Stop Override (Fig. A)

The bevel stop overrides are held secure with their attachment screw to prevent inadvertent movement. Use the bit on the blade wrench to loosen the attachment screw. This allows the slides, to be pulled outward and the saw head to pivot past the 45° mark. Be sure to retighten the attachment screw when finished.

Rail Lock Knob (Fig. A)

The rail lock knob **29** allows you to lock the saw head firmly to keep it from sliding on the rails. This is necessary when making certain cuts or when transporting the saw.

Depth Stop (Fig. A)

The depth stop **24** allows the depth of cut of the blade to be limited. The stop is useful for applications such as grooving and tall vertical cuts. Rotate the depth stop forward and adjust the depth adjustment screw **28** to set the desired depth of cut. To secure the adjustment, tighten the wing nut **20**. Rotating the depth stop to the rear of the saw will bypass the depth stop feature. If the depth adjustment screw is too tight to loosen by hand, the provided blade wrench can be used to loosen the screw.

Lock Down Pin (Fig. A)

WARNING: The lock down pin should be used only when carrying or storing the saw. NEVER use the lock down pin for any cutting operation.

To lock the saw head in the down position, push the saw head down, push the lock down pin **17** in and release the saw head. This will hold the saw head safely down for moving the saw from place to place. To release, press the saw head down and pull the pin out.

Automatic Electric Brake

Your saw is equipped with an automatic electric blade brake which stops the saw blade within 5 seconds of trigger release. This is not adjustable.

On occasion, there may be a delay after trigger release to brake engagement. On rare occasions, the brake may not engage at all and the blade will coast to a stop.

If a delay or “skipping” occurs, turn the saw on and off 4 or 5 times. If the condition persists, have the tool serviced by an authorized DEWALT service center.

Always be sure the blade has stopped before removing it from the kerf. The brake is not a substitute for guards or for ensuring your own safety by giving the saw your complete attention.

OPERATION

WARNING: To reduce the risk of serious personal injury, turn unit off and disconnect it from power source before making any adjustments or removing/installing attachments or accessories. An accidental start-up can cause injury.

WARNING: Always use eye protection. All users and bystanders must wear eye protection that conforms to ANSI Z87.1 (CAN/CSA Z94.3).

Plug the saw into any household 60 Hz power source. Refer to the nameplate for voltage. Be sure the cord will not interfere with your work.

Body and Hand Position (Fig. K1–K4)

WARNING: To reduce the risk of serious personal injury, ALWAYS use proper hand position as shown.

WARNING: To reduce the risk of serious personal injury, ALWAYS hold securely in anticipation of a sudden reaction.

Proper positioning of your body and hands when operating the miter saw will make cutting easier, more accurate and safer. Never place hands near cutting area. Place hands no closer than 4" (100 mm) from the blade. Hold the workpiece tightly to the table and the fence when cutting. Keep hands in position until the trigger has been released and the blade has completely stopped. ALWAYS MAKE DRY RUNS (UNPOWERED) BEFORE FINISH CUTS SO THAT YOU CAN CHECK THE PATH OF THE BLADE. DO NOT CROSS ARMS, AS SHOWN IN FIGURE K3.

Keep both feet firmly on the floor and maintain proper balance. As you move the miter arm left and right, follow it and stand slightly to the side of the saw blade. Sight through the guard louvers when following a pencil line.

Fig. K1

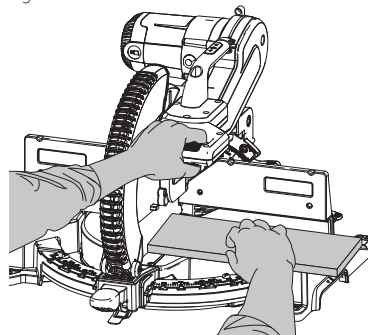


Fig. K2

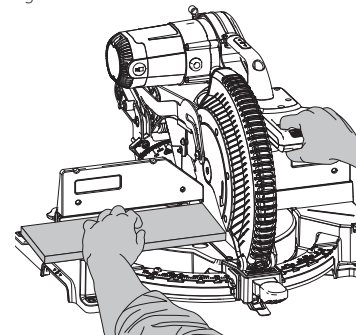
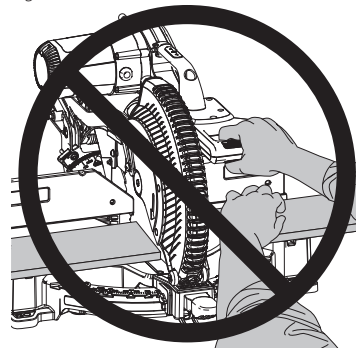


Fig. K3



Fig. K4

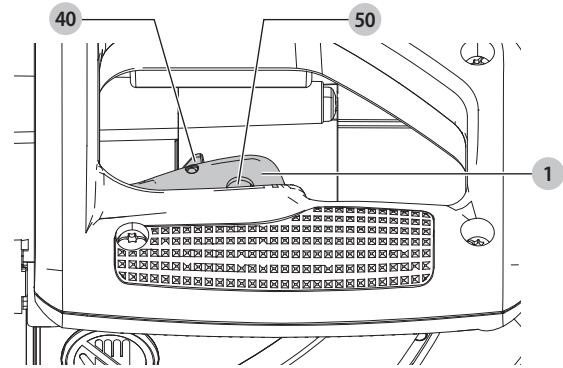


Trigger Switch (Fig. L)

To turn the saw on, push the lock-off lever **40** to the left, then depress the trigger switch **1**. The saw will run while the switch is depressed. Allow the blade to spin up to full operating speed before making the cut. To turn the saw off, release the switch. Allow the blade to stop before raising the saw head. There is no provision for locking the switch on. A hole **50** is provided in the trigger for insertion of a padlock to lock the switch off.

Always be sure the blade has stopped before removing it from the kerf.

Fig. L



Dust Extraction (Fig. M)

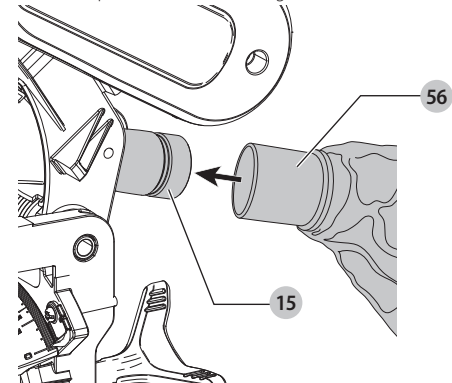
Your saw has a built-in dust port **15** that allows either the supplied dust bag or a shop vacuum system to be connected.

NOTE: This saw has a dust port equipped with an AirLock™ fitting, which is a universal system that connects tools to dust extraction shrouds to minimize cleanup on the jobsite.

To Attach the Dust Bag

1. Fit the dust bag **56** to the dust port **15** as shown in Figure M.

Fig. M



Through-Cutting Operations (Fig. A)

If the slide feature is not used, ensure the saw head is pushed back as far as possible and the rail lock knob is tightened. This will prevent the saw from sliding along its rails as the workpiece is engaged.

NOTE: Although this saw will cut wood and many non-ferrous materials, we will limit our detailed discussion to the cutting of wood only. The same guidelines apply to the other materials. DO NOT CUT FERROUS (IRON AND STEEL) MATERIALS OR MASONRY WITH THIS SAW. Do not use any abrasive blades.

NOTE: Refer to **Guard Actuation and Visibility** in the **Assembly and Adjustments** section for important information about the lower guard before cutting.

Crosscuts (Fig. A, N)

A crosscut is made by cutting wood across the grain at any angle. A straight crosscut is made with the miter arm at the zero degree position. Set and lock the miter arm at zero, hold the wood firmly on the table and against the fence. With the rail lock knob tightened, turn on the saw by squeezing the trigger switch **1** shown in Figure A.

When the saw comes up to speed (about 1 second) lower the arm smoothly and slowly to cut through the wood. Let the blade come to a full stop before raising arm.

When cutting anything larger than a 2 x 8 (51 x 203 mm [2 x 6 (51 x 152) at 45° miter]) use an out-down-back motion with the rail lock knob loosened. Pull the saw out, toward you, lower the saw head down toward the workpiece, and slowly push the saw back to complete the cut. Do not allow the saw to contact the top of the workpiece while pulling out. The saw may run toward you, possibly causing personal injury or damage to the workpiece.

Cutting of multiple pieces is not recommended but can be done safely by ensuring that each piece is held firmly against the table and fence.

NOTE: To provide greater crosscut capacity with reduced stroke, the blade on the DWS779 extends deeper into the table. As a result, a greater lifting force on the workpiece may be experienced during the cut.

CAUTION: Always use a work clamp to maintain control and reduce the risk of workpiece damage and personal injury, if your hands are required to be within 4" (100 mm) of the blade during the cut.

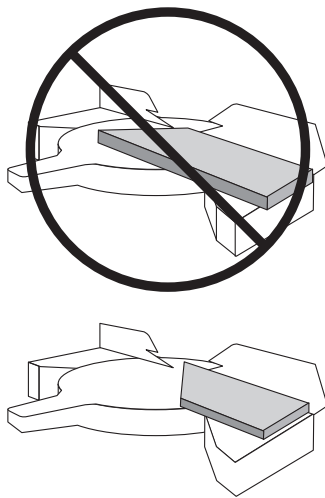
NOTE: The rail lock knob **29** shown in Figure A must be loose to allow the saw to slide along its rails **23**.

Miter crosscuts are made with the miter arm at some angle other than zero. This angle is often 45° for making corners, but can be set anywhere from zero to 50° left or 60° right. Make the cut as described above.

When performing a miter cut on workpieces wider than a 2 x 6 that are shorter in length, always place the longer side against the fence **10** (Figure N).

To cut through an existing pencil line on a piece of wood, match the angle as close as possible. Cut the wood a little too long and measure from the pencil line to the cut edge to determine which direction to adjust the miter angle and recut. This will take some practice, but it is a commonly used technique.

Fig. N



Bevel Cuts

A bevel cut is a crosscut made with the saw blade leaning at an angle to the wood. In order to set the bevel, loosen the bevel lock **11**, and move the saw to the left or right as desired. (It is necessary to move the fence to allow clearance.) Once the desired bevel angle has been set, tighten the bevel lock firmly. Refer to the **Controls** section for detailed instructions on the bevel system.

Bevel angles can be set from 49° right to 49° left and can be cut with the miter arm set between 50° left or 60° right. At some extreme angles, the right or left side fence might have to be removed. To remove the left or right fence, unscrew the fence adjustment knob **14** several turns and slide the fence out.

NOTE: Refer to **Fence Adjustment** in the **Assembly and Adjustments** section for important information on adjusting the fences for certain bevel cuts.

Quality of Cut

The smoothness of any cut depends on a number of variables. Things like material being cut, blade type, blade sharpness and rate of cut all contribute to the quality of the cut.

When smoothest cuts are desired for molding and other precision work, a sharp (60 tooth carbide) blade and a slower, even cutting rate will produce the desired results.

Ensure that the material does not move or creep while cutting; clamp it securely in place. Always let the blade come to a full stop before raising arm.

If small fibers of wood still split out at the rear of the workpiece, stick a piece of masking tape on the wood where the cut will be made. Saw through the tape and carefully remove tape when finished.

For varied cutting applications, refer to the list of recommended saw blades for your saw and select the one that best fits your needs. Refer to **Saw Blades** under **Accessories**.

Non-Through-Cutting (Grooving and Rabbeting)

Instructions in the **Crosscuts**, **Bevel Cuts** and **Cutting Compound Miters** sections are for cuts made through the full thickness of the material. The saw can also perform non-through cuts to form grooves or rabbets in the material.

Groove Cut (Fig. A)

Refer to **Depth Stop** for detailed instructions for setting depth of cut. A piece of scrap wood should be used to verify the desired depth of cut.

Hold the wood firmly on the table and against the fence **10**. Align the cut area underneath the blade. Position the saw arm fully forward, with blade in down position. Turn on the saw by squeezing the trigger switch **1** shown in Figure A. Smoothly, push saw arm rearward to cut a groove through the workpiece.

Release the trigger switch with the saw arm down. When saw blade has completely stopped, raise the saw arm. Always let the blade come to a full stop before raising the arm.

To widen the groove, repeat steps 1–4 until the desired width is obtained.

Clamping the Workpiece (Fig. A)

WARNING: To reduce the risk of serious personal injury, turn off the tool and disconnect it from the power source before attempting to move it, change accessories or make any adjustments.

WARNING: A workpiece that is clamped, balanced and secure before a cut may become unbalanced after a cut is completed. An unbalanced load may tip the saw or anything the saw is attached to, such as a table or workbench. When making a cut that may become unbalanced, properly support the workpiece and ensure the saw is firmly bolted to a stable surface. Personal injury may occur.

WARNING: The clamp foot must remain clamped above the base of the saw whenever the clamp is used. Always clamp the workpiece to the base of the saw—not to any other part of the work area. Ensure the clamp foot is not clamped on the edge of the base of the saw.

CAUTION: Always use a work clamp to maintain control and reduce the risk of workpiece damage and personal injury.

If you cannot secure the workpiece on the table and against the fence by hand, (irregular shape, etc.) or your hand would be less than 4" (100 mm) from the blade, a clamp or other fixture must be used.

For best results use the vertical material clamp **21** provided with your saw. Additional DW7082 clamps can be purchased at your local retailer or DEWALT service center.

Other aids such as spring clamps, bar clamps or C-clamps may be appropriate for certain sizes and shapes of material. Use care in selecting and placing these clamps. Take time to make a dry run before making the cut. The left fence will slide from side to side to aid in clamping.

To Install Clamp (Fig. A)

1. Insert it into the hole behind the fence **10**. The clamp should be facing toward the back of the miter saw. The groove on the clamp rod should be fully inserted into the base. Ensure this groove is fully inserted into the base of the miter saw. If the groove is visible, the clamp will not be secure.
2. Rotate the clamp 180° toward the front of the miter saw.
3. Loosen the knob to adjust the clamp up or down, then use the fine adjust knob to firmly clamp the workpiece.

NOTE: Place the clamp on the opposite side of the base when beveling. ALWAYS MAKE DRY RUNS (UNPOWERED) BEFORE FINISH CUTS TO CHECK THE PATH OF THE BLADE. ENSURE THE CLAMP DOES NOT INTERFERE WITH THE ACTION OF THE SAW OR GUARDS.

Support for Long Pieces

WARNING: To reduce the risk of serious personal injury, turn off the tool and disconnect it from the power source before attempting to move it, change accessories or make any adjustments.

ALWAYS SUPPORT LONG PIECES.

Never use another person as a substitute for a table extension; as additional support for a workpiece that is longer or wider than the basic miter saw table or to help feed, support or pull the workpiece.

For best results, use the DW7080 extension work support to extend the table width of your saw, available from your dealer at extra cost.

Support long workpieces using any convenient means such as sawhorses or similar devices to keep the ends from dropping.

Cutting Picture Frames, Shadow Boxes and Other Four-Sided Projects (Fig. O, P)

To best understand how to make the items listed here, we suggest that you try a few simple projects using scrap wood until you develop a "feel" for your saw.

Your saw is the perfect tool for mitering corners like the one shown in Figure O. Sketch 1 in Figure P shows a joint made by using the bevel adjustment to bevel the edges of the two boards at 45° each to produce a 90° corner. For this joint the miter arm was locked in the zero position and the bevel adjustment was locked at 45°. The wood was positioned with the broad flat side against the table and the narrow edge against the fence. The cut could also be made by mitering right and left with the broad surface against the fence.

Fig. O

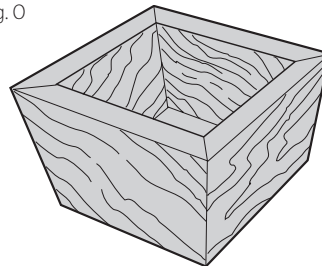
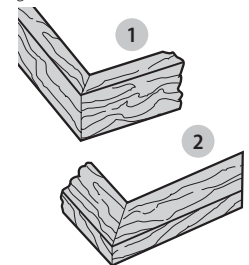


Fig. P



Cutting Trim Molding And Other Frames (Fig. P)

Sketch 2 in Figure P shows a joint made by setting the miter arm at 45° to miter the two boards to form a 90° corner. To make this type of joint, set the bevel adjustment to zero and the miter arm to 45°. Once again, position the wood with the broad flat side on the table and the narrow edge against the fence.

The two sketches in Figure P are for four-sided objects only.

As the number of sides changes, so do the miter and bevel angles. The chart below gives the proper angles for a variety of shapes.

- EXAMPLES -

NUMBER OF SIDES	MITER OR BEVEL ANGLE
4	45°
5	36°
6	30°
7	25.7°
8	22.5°
9	20°
10	18°

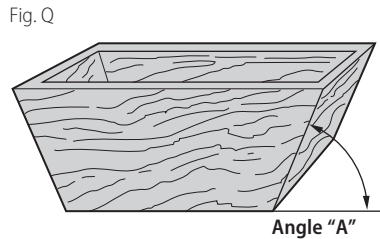
The chart assumes that all sides are of equal length. For a shape that is not shown in the chart, use the following formula: 180° divided by the number of sides equals the miter (if the material is cut vertically) or bevel angle (if the material is cut laying flat).

Cutting Compound Miters (Fig. Q)

A compound miter is a cut made using a miter angle and a bevel angle at the same time. This is the type of cut used to make frames or boxes with slanting sides like the one shown in Figure Q.

NOTE: If the cutting angle varies from cut to cut, check that the bevel lock knob and the miter lock handle are securely locked. These must be locked after making any changes in bevel or miter.

The chart at the end of this manual (Table 1) will assist you in selecting the proper bevel and miter settings for common compound miter cuts. To use the chart, select the desired angle A (Fig. Q) of your project and locate that angle on the appropriate arc in the chart. From that point follow the chart straight down to find the correct bevel angle and straight across to find the correct miter angle.



Set your saw to the prescribed angles and make a few trial cuts. Practice fitting the cut pieces together until you develop a feel for this procedure and feel comfortable with it.

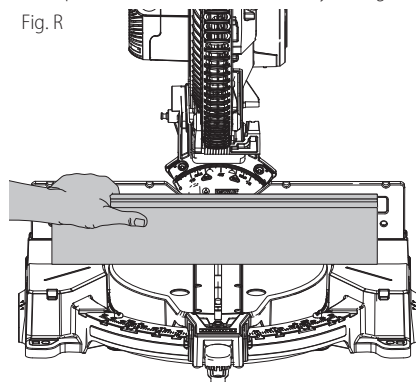
Example: To make a 4-sided box with 26° exterior angles (Angle A, Fig. Q), use the upper right arc. Find 26° on the arc scale. Follow the horizontal intersecting line to either side to get miter angle setting on saw (42°). Likewise, follow the vertical intersecting line to the top or bottom to get the bevel angle setting on the saw (18°). Always try cuts on a few scrap pieces of wood to verify the settings on the saw.

Cutting Base Molding (Fig. R)

ALWAYS MAKE A DRY RUN WITHOUT POWER BEFORE MAKING ANY CUTS.

Straight 90° cuts:

Position the wood against the fence and hold it in place as shown in Figure R. Turn on the saw, allow the blade to reach full speed and lower the arm smoothly through the cut.



Cutting Base Molding up to 6.75" (171 mm) Vertically Against the Fence (Fig. R)

Position material as shown in Figure R.

All cuts should be made with the back of the molding against the fence and with the bottom of the molding against the table.

	Inside corner	Outside corner
Left side	1. Miter left 45° 2. Save left side of cut	1. Miter right 45° 2. Save left side of cut
Right side	1. Miter right 45° 2. Save right side of cut	1. Miter left 45° 2. Save right side of cut

Material up to 6.5" (165 mm) can be cut as described above.

Cutting Crown Molding

Your miter saw is better suited to the task of cutting crown molding than any tool made. In order to fit properly, crown molding must be compound mitered with extreme accuracy.

The two flat surfaces on a given piece of crown molding are at angles that, when added together, equal exactly 90°. Most, but not all, crown molding has a top rear angle (the section that fits flat against the ceiling) of 52° and a bottom rear angle (the part that fits flat against the wall) of 38°.

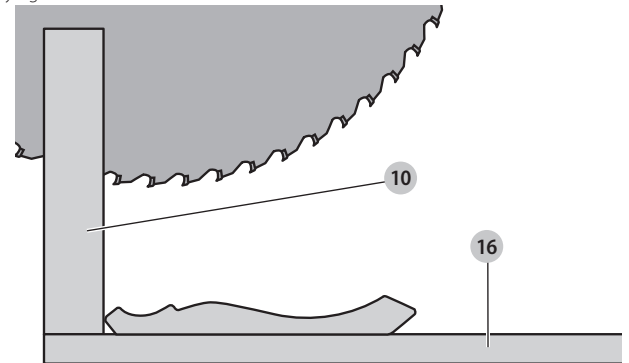
Your miter saw has special pre-set miter latch points at 31.6° left and right for cutting crown molding at the proper angle. There is also a mark on the bevel scale at 33.9°.

The chart below gives the proper settings for cutting crown molding. (The numbers for the miter and bevel settings are very precise and are not easy to accurately set on your saw.) Since most rooms do not have angles of precisely 90°, you will have to fine tune your settings anyway.

PRETESTING WITH SCRAP MATERIAL IS EXTREMELY IMPORTANT!

Instructions for Cutting Crown Molding Laying Flat and Using the Compound Features (Fig. A, S)

- Molding laying with broad back surface down flat on saw table **16**.
Fig. S



- Top of molding against fence **10**.
- The settings below are for all standard (U.S.) crown molding with 52° and 38° angles.

	Inside corner	Outside corner
Left side	1. Bevel left 33.9° 2. Miter table set at right 31.62° 3. Save left end of cut	1. Bevel right 33.9° 2. Miter table set at left 31.62° 3. Save left end of cut
Right side	1. Bevel right 33.9° 2. Miter table set at left 31.62° 3. Save right end of cut	1. Bevel left 33.9° 2. Miter table set at right 31.62° 3. Save right end of cut

When setting bevel and miter angles for all compound miters, remember that:

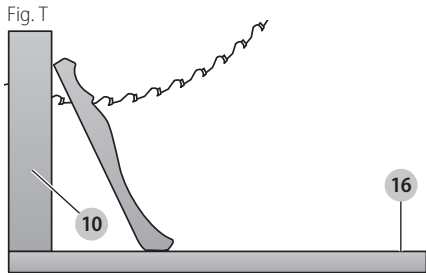
The angles presented for crown moldings are very precise and difficult to set exactly. Since they can easily shift slightly and very few rooms have exactly square corners, all settings should be tested on scrap molding.

PRETESTING WITH SCRAP MATERIAL IS EXTREMELY IMPORTANT!

Alternative Method for Cutting Crown Molding (Fig. T)

Place the molding on the table at an angle between the sliding fence **10** and the saw table **16**, as shown in Figure T. Use of the crown molding fence accessory (DW7084) is highly recommended because of its degree of accuracy and convenience. The crown molding fence accessory is available for purchase from your local dealer.

The advantage to cutting crown molding using this method is that no bevel cut is required. Minute changes in the miter angle can be made without affecting the bevel angle. This way, when corners other than 90° are encountered, the saw can be quickly and easily adjusted for them. Use the crown molding fence accessory to maintain the angle at which the molding will be on the wall.



Instructions for Cutting Crown Molding Angled Between the Fence and Base of the Saw for All Cuts

1. Angle the molding so the bottom of the molding (part which goes against the wall when installed) is against the fence and the top of the molding is resting on the base of the saw, as shown in Figure T.
2. The angled "flats" on the back of the molding must rest squarely on the fence and base of the saw.

	Inside corner	Outside corner
Left side	1. Miter right 45° 2. Save right side of cut	1. Miter left 45° 2. Save right side of cut
Right side	1. Miter left 45° 2. Save left side of cut	1. Miter right 45° 2. Save left side of cut

Special Cuts

NEVER MAKE ANY CUT UNLESS THE MATERIAL IS SECURED ON THE TABLE AND AGAINST THE FENCE.

Aluminum Cutting (Fig. A, U, V)

ALWAYS USE THE APPROPRIATE SAW BLADE MADE ESPECIALLY FOR CUTTING ALUMINUM. These are available at your local DeWALT retailer or DeWALT service center. Certain workpieces, due to their size, shape or surface finish, may require the use of a clamp or fixture to prevent movement during the cut. Position the material so that you will be cutting the thinnest cross section, as shown in Figure U. Figure V illustrates the wrong way to cut these extrusions.

Use a stick wax cutting lubricant when cutting aluminum. Apply the stick wax directly to the saw blade 39 before cutting. Never apply stick wax to a moving blade.

The wax, available at most hardware stores and industrial mill supply houses, provides proper lubrication and keeps chips from adhering to the blade.

Be sure to properly secure workpiece.

Fig. U

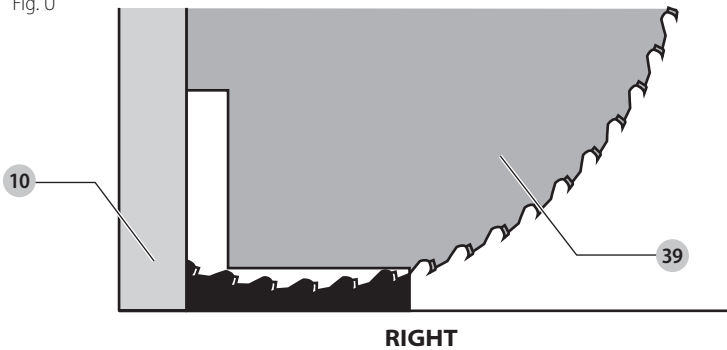
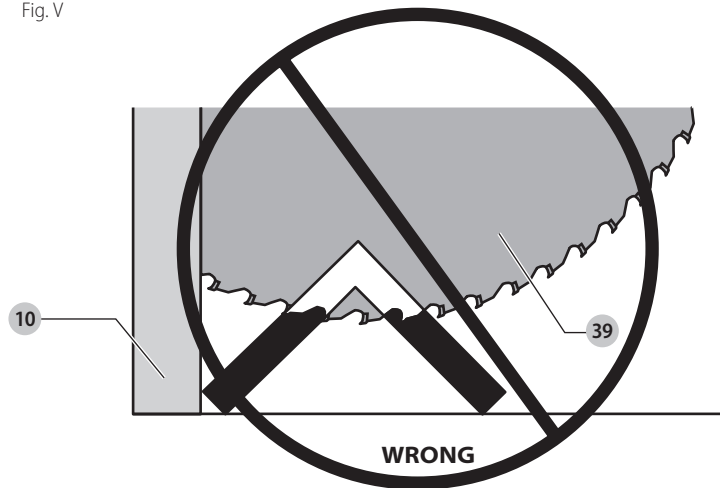


Fig. V



Bowed Material (Fig. W, X)

When cutting bowed material always position it as shown in Figure W and never like that shown in Figure X. Positioning the material incorrectly will cause it to pinch the blade near the completion of the cut.

Fig. W

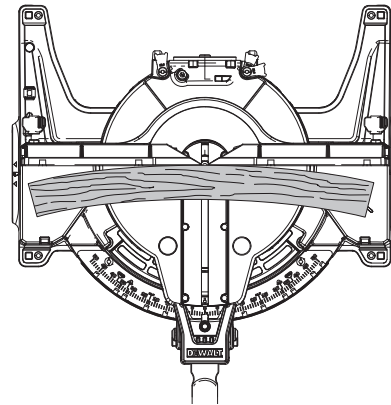
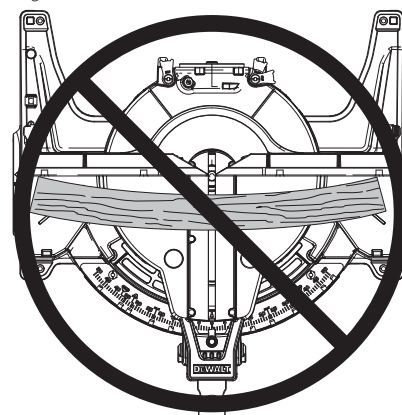


Fig. X



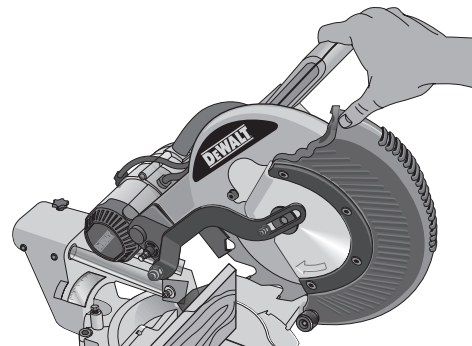
Cutting Plastic Pipe or Other Round Material

Plastic pipe can be easily cut with your saw. It should be cut just like wood and **CLAMPED OR HELD FIRMLY TO THE FENCE TO KEEP IT FROM ROLLING**. This is extremely important when making angle cuts.

Cutting Large Material (Fig. Y)

Occasionally you will encounter a piece of wood a little too large to fit beneath the lower guard. If this occurs, simply place your right thumb on the upper side of the guard and roll the guard up just enough to clear the workpiece, as shown in Figure Y. Avoid doing this as much as possible, but if need be, the saw will operate properly and make the bigger cut. NEVER TIE, TAPE, OR OTHERWISE HOLD THE GUARD OPEN WHEN OPERATING THIS SAW.

Fig. Y



MAINTENANCE

⚠ WARNING: To reduce the risk of serious personal injury, turn unit off and disconnect it from power source before making any adjustments or removing/installing attachments or accessories. An accidental start-up can cause injury.

⚠ WARNING: To reduce the risk of serious personal injury, DO NOT touch the sharp points on the blade with fingers or hands while performing any maintenance.

DO NOT use lubricants or cleaners (particularly spray or aerosol) in the vicinity of the plastic guard. The polycarbonate material used in the guard is subject to attack by certain chemicals.

1. All bearings are sealed. They are lubricated for life and need no further maintenance.

Refer to **Saw Blades** under **Accessories** for correct saw blade.

- Periodically clean all dust and wood chips from around AND UNDER the base and the rotary table. Even though slots are provided to allow debris to pass through, some dust will accumulate.
- The brushes are designed to give you several years of use. To replace the brushes return the tool to the nearest service center for repair. A list of service center locations is packed with your tool.

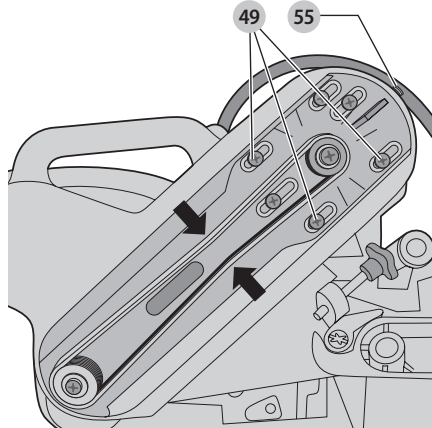
Removing and Replacing Belt (Fig. Z)

The belt is designed to last the life of the tool. However, abuse of the tool could cause the belt to fail.

If the blade does not turn when the motor is running, the belt has failed. To inspect or replace the belt, remove the belt cover screws **49**. Remove the belt cover **55**. Inspect the ribs of the belt for wear or failure. Check belt tension by squeezing the belt as shown in Figure Z. The belt halves should almost touch when squeezing firmly with the thumb and index finger. To adjust the tension, loosen, but do not remove, the four crosshead screws shown. Then rotate the set screw on the top of the motor plate casting until the proper tension is achieved. Tighten the four screws securely and replace the belt cover.

NOTICE: Overtightening the belt will cause premature motor failure.

Fig. Z



Cleaning

WARNING: Blow dirt and dust out of all air vents with clean, dry air at least once a week. To minimize the risk of eye injury, always wear ANSI Z87.1 approved eye protection when performing this procedure.

WARNING: Never use solvents or other harsh chemicals for cleaning the non-metallic parts of the tool. These chemicals may weaken the plastic materials used in these parts. Use a cloth dampened only with water and mild soap. Never let any liquid get inside the tool; never immerse any part of the tool into a liquid.

Dust Duct Cleaning

Depending on your cutting environment, saw dust can clog the dust duct and may prevent dust from flowing away from the cutting area properly. With the saw unplugged and the saw head raised fully, low pressure air or a large diameter dowel rod can be used to clear the dust out of the dust duct.

Accessories

WARNING: Since accessories, other than those offered by DeWALT, have not been tested with this product, use of such accessories with this tool could be hazardous. To reduce the risk of injury, only DEWALT recommended accessories should be used with this product.

Recommended accessories for use with your tool are available at extra cost from your local dealer or authorized service center. If you need assistance in locating any accessory, please contact DEWALT Industrial Tool Co., 701 East Joppa Road, Towson, MD 21286, call 1-800-4-DEWALT (1-800-433-9258) or visit our website: www.dewalt.com.

Optional Accessories

The following accessories, designed for your saw, may be helpful. Use care in selecting and using accessories.

Extension Work Support: DW7080

Used to support long overhanging workpieces, the work support is user assembled. Your saw base is designed to accept two work supports, one on each side.

Adjustable Length Stop: DW7051

Requires the use of one Extension Work Support (DW7080). It is used to make repetitive cuts of the same length from 0 to 42" (107 cm).

Clamp: DW7082

Used for firmly clamping workpiece to the saw fence for precision cutting.

Dust Bag: DW7053

Equipped with a zipper for easy emptying, the dust bag will capture the majority of the sawdust produced.

Crown Molding Fence: DW7084

Used for precision cutting of crown molding.

Saw Blades

ALWAYS USE 12" (305 mm) SAW BLADES WITH 1" (25.4 mm) ARBOR HOLES. SPEED RATING MUST BE AT LEAST 4800 RPM. Never use a smaller diameter blade. It will not be guarded properly. Use crosscut blades only! Do not use blades designed for ripping, combination blades or blades with hook angles in excess of 7°.

BLADE DESCRIPTIONS		
APPLICATION	DIAMETER	TEETH
Construction Saw Blades (maximum thin kerf with anti-stick rim)		
General Purpose	12" (305 mm)	32/40
Fine Crosscuts	12" (305 mm)	60
Woodworking Saw Blades (provide smooth, clean cuts)		
Fine crosscuts	12" (305 mm)	80
Non-ferrous metals	12" (305 mm)	96
NOTE: For cutting non-ferrous metals, use only saw blades with TCG teeth designed for this purpose.		

Repairs

WARNING: To assure product SAFETY and RELIABILITY, repairs, maintenance and adjustment (including brush inspection and replacement, when applicable) should be performed by a DEWALT factory service center or a DEWALT authorized service center. Always use identical replacement parts.

Register Online

Thank you for your purchase. Register your product now for:

- WARRANTY SERVICE:** Registering your product will help you obtain more efficient warranty service in case there is a problem with your product.
- CONFIRMATION OF OWNERSHIP:** In case of an insurance loss, such as fire, flood or theft, your registration of ownership will serve as your proof of purchase.
- FOR YOUR SAFETY:** Registering your product will allow us to contact you in the unlikely event a safety notification is required under the Federal Consumer Safety Act.

Register online at www.dewalt.com/register.

Three Year Limited Warranty

DEWALT will repair, without charge, any defects due to faulty materials or workmanship for three years from the date of purchase. This warranty does not cover part failure due to normal wear or tool abuse. For further detail of warranty coverage and warranty repair information, visit www.dewalt.com or call 1-800-4-DEWALT (1-800-433-9258). This warranty does not apply to accessories or damage caused where repairs have been made or attempted by others. THIS LIMITED WARRANTY IS GIVEN IN LIEU OF ALL OTHERS, INCLUDING THE IMPLIED WARRANTY OF MERCHANTABILITY AND FITNESS FOR A PARTICULAR PURPOSE, AND EXCLUDES ALL INCIDENTAL OR CONSEQUENTIAL DAMAGES. Some states do not allow limitations on how long an implied warranty lasts or the exclusion or limitation of incidental or consequential damages, so these limitations may not apply to you. This warranty gives you specific legal rights and you may have other rights which vary in certain states or provinces.

In addition to the warranty, DeWALT tools are covered by our:

1 YEAR FREE SERVICE

DEWALT will maintain the tool and replace worn parts caused by normal use, for free, any time during the first year after purchase.

90 DAY MONEY BACK GUARANTEE

If you are not completely satisfied with the performance of your DeWALT Power Tool, Laser, or Nailer for any reason, you can return it within 90 days from the date of purchase with a receipt for a full refund – no questions asked.

LATIN AMERICA: This warranty does not apply to products sold in Latin America. For products sold in Latin America, see country specific warranty information contained in the packaging, call the local company or see website for warranty information.

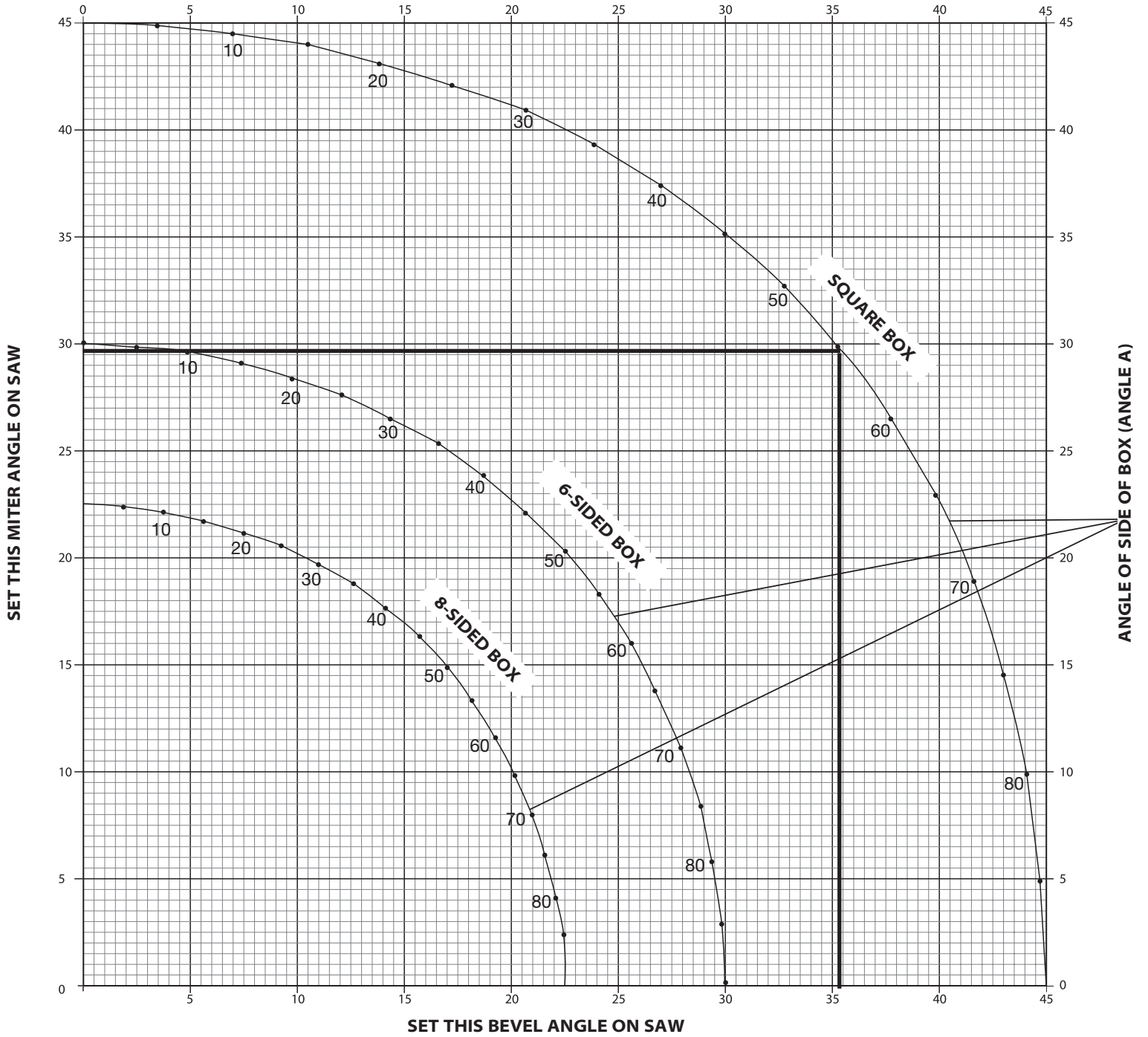
FREE WARNING LABEL REPLACEMENT: If your warning labels become illegible or are missing, call 1-800-4-DEWALT (1-800-433-9258) for a free replacement.

Troubleshooting Guide

BE SURE TO FOLLOW SAFETY RULES AND INSTRUCTIONS

TROUBLE!	WHAT'S WRONG?	WHAT TO DO
Saw will not start	Saw not plugged in	Plug in saw.
	Fuse blown or circuit breaker tripped	Replace fuse or reset circuit breaker.
	Cord damaged	Have cord replaced by authorized service center.
	Brushes worn out	Have brushes replaced by authorized service center.
Saw makes unsatisfactory cuts	Dull blade	Replace blade. Refer to Changing or Installing a New Saw Blade .
	Blade mounted backwards	Turn blade around. Refer to Changing or Installing a New Saw Blade .
	Gum or pitch on blade	Remove blade and clean with turpentine and coarse steel wool or household oven cleaner.
	Incorrect blade for work being done	Change the blade type. Refer to Saw Blades under Accessories .
Blade does not come up to speed	Extension cord too light or too long	Replace with adequate size cord. Refer to Additional Safety Rules for Miter Saws .
	Low house current	Contact your electric company.
Machine vibrates excessively	Saw not mounted securely to stand or work bench	Tighten all mounting hardware. Refer to Bench Mounting .
	Stand or bench on uneven floor	Reposition on flat level surface. Refer to Familiarization .
	Damaged saw blade	Replace blade. Refer to Changing or Installing a New Saw Blade .
Does not make accurate miter cuts	Miter scale not adjusted correctly	Check and adjust. Refer to Miter Scale Adjustment under Assembly and Adjustments .
	Blade is not square to fence	Check and adjust. Refer to Miter Scale Adjustment under Assembly and Adjustments .
	Blade is not perpendicular to table	Check and adjust fence. Refer to Bevel Square to Table under Assembly and Adjustments .
	Workpiece moving	Clamp workpiece securely to fence or glue 120 grit sandpaper to fence with rubber cement.
Material pinches blade	Cutting bowed material	Refer to Bowed Material under Special Cuts .

TABLE 1: COMPOUND MITER CUT
(POSITION WOOD WITH BROAD FLAT SIDE ON THE TABLE AND THE NARROW EDGE AGAINST THE FENCE)



Définitions : symboles et termes d'alarmes sécurité

Ces guides d'utilisation utilisent les symboles et termes d'alarmes sécurité suivants pour vous prévenir de situations dangereuses et de risques de dommages corporels ou matériels.

⚠ DANGER : indique une situation dangereuse imminente qui, si elle n'est pas évitée, **entraînera la mort ou des blessures graves.**

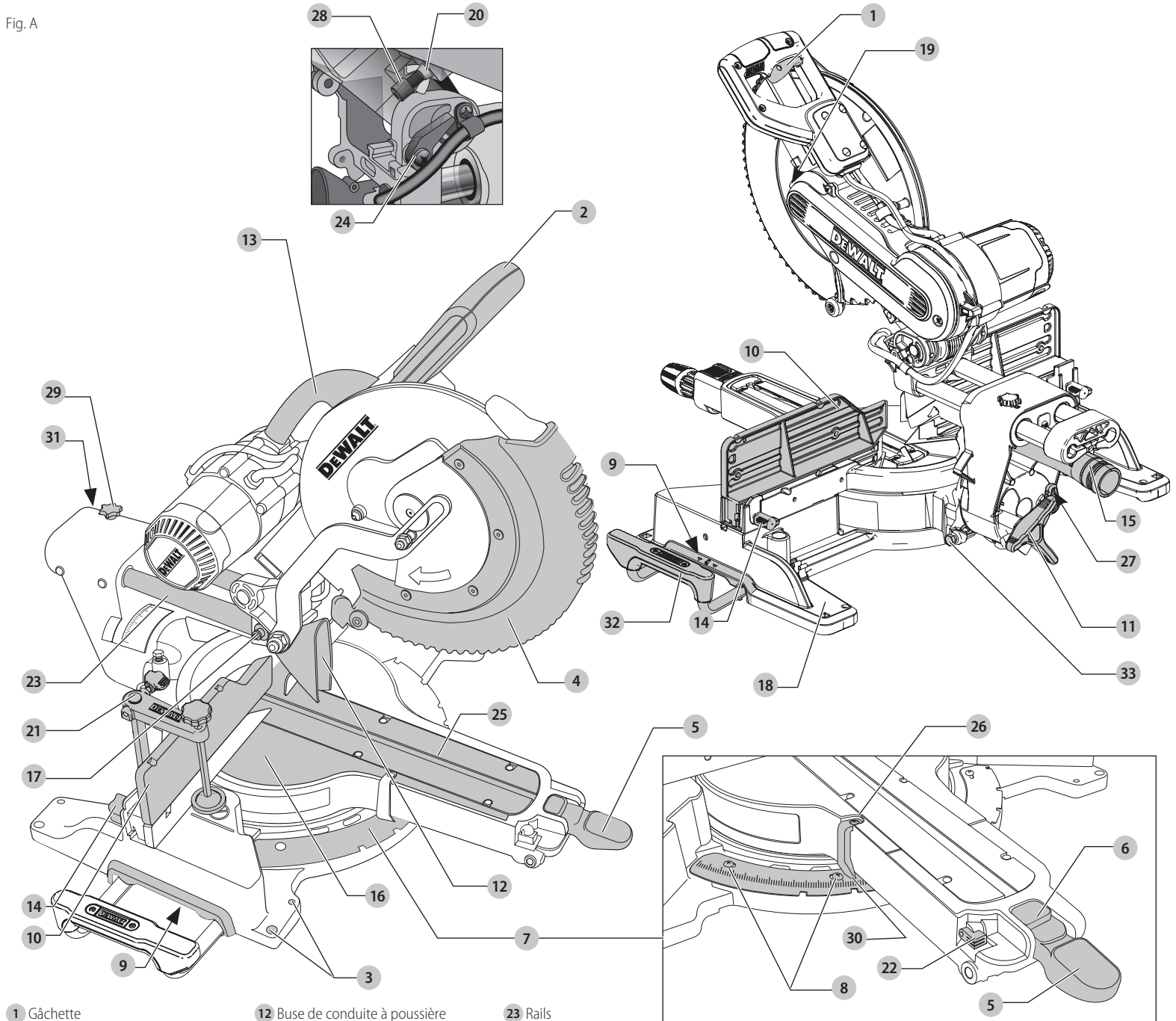
⚠ AVERTISSEMENT : indique une situation potentiellement dangereuse qui, si elle n'est pas évitée, **pourrait entraîner la mort ou des blessures graves.**

⚠ ATTENTION : indique une situation potentiellement dangereuse qui, si elle n'est pas évitée, **pourrait entraîner des blessures légères ou modérées.**

⚠ (Si utilisé sans aucun terme) Indique un message propre à la sécurité.

AVIS : indique une pratique ne posant **aucun risque de dommages corporels** mais qui par contre, si rien n'est fait pour l'éviter, **pourrait poser des risques de dommages matériels.**

Fig. A



- | | | |
|--------------------------------------|--|--|
| 1 Gâchette | 12 Buse de conduite à poussière | 23 Rails |
| 2 Poignée de manœuvre | 13 Poignée de levage | 24 Butée de profondeur |
| 3 Trous de montage | 14 Poignée de réglage de guide | 25 Plaque de trait de scie |
| 4 Protecteur inférieur | 15 Buse de dépoussiérage | 26 Vis de pointeur d'onglet |
| 5 Levier de verrouillage des onglets | 16 Table | 27 Butée de biseau à 0° |
| 6 Bouton de loquet d'onglet | 17 Goupille de verrouillage | 28 Vis de réglage de profondeur |
| 7 Échelle des onglets | 18 Base | 29 Poignée de blocage de rail |
| 8 Vis de l'échelle des onglets | 19 Bouton de verrouillage de la broche | 30 Pointeur d'onglet |
| 9 Encoches pour mains | 20 Écrou à ailettes | 31 Réglage de la vis de calage du rail |
| 10 Guide coulissant | 21 Abrazadera de material vertical | Rallonge de la base |
| 11 Bouton de verrouillage en biseau | 22 Annulation du loquet d'onglet | 32 Vis de réglage de biseau à 45° |

⚠ AVERTISSEMENT! lire tous les avertissements de sécurité et toutes les directives. Le non-respect des avertissements et des directives pourrait se solder par un choc électrique, un incendie et/ou une blessure grave.

⚠ AVERTISSEMENT : afin de réduire le risque de blessures, lire le mode d'emploi de l'outil.

Pour toute question ou remarque au sujet de cet outil ou de tout autre outil DEWALT, composez le numéro sans frais : 1-800-4-DEWALT (1-800-433-9258).

AVERTISSEMENTS DE SÉCURITÉ GÉNÉRAUX POUR LES OUTILS ÉLECTRIQUES

! **AVERTISSEMENT :** lisez tous les avertissements de sécurité, toutes les instructions, les illustrations et les caractéristiques fournis avec cet outil électrique. Ne pas suivre toutes les instructions comprises aux présentes peut conduire à un choc électrique, un incendie et/ou des blessures graves.

CONSERVER TOUTS LES AVERTISSEMENTS ET TOUTES LES DIRECTIVES POUR UN USAGE ULTÉRIEUR

Le terme « outil électrique » cité dans les avertissements se rapporte à votre outil électrique à alimentation sur secteur (avec fil) ou par piles (sans fil).

1) Sécurité du lieu de travail

- Tenir l'aire de travail propre et bien éclairée.** Les lieux encombrés ou sombres sont propices aux accidents.
- Ne pas faire fonctionner d'outils électriques dans un milieu déflagrant, tel qu'en présence de liquides, de gaz ou de poussières inflammables.** Les outils électriques produisent des étincelles qui pourraient enflammer la poussière ou les vapeurs.
- Éloigner les enfants et les personnes à proximité pendant l'utilisation d'un outil électrique.** Une distraction pourrait en faire perdre la maîtrise à l'utilisateur.

2) Sécurité en matière d'électricité

- Les fiches des outils électriques doivent correspondre à la prise. Ne jamais modifier la fiche d'aucune façon. Ne jamais utiliser de fiche d'adaptation avec un outil électrique mis à la terre.** Le risque de choc électrique sera réduit par l'utilisation de fiches non modifiées correspondant à la prise.
- Éviter tout contact physique avec des surfaces mises à la terre comme des tuyaux, des radiateurs, des cuisinières et des réfrigérateurs.** Le risque de choc électrique est plus élevé si votre corps est mis à la terre.
- Ne pas exposer les outils électriques à la pluie ou à l'humidité.** La pénétration de l'eau dans un outil électrique augmente le risque de choc électrique.
- Ne pas utiliser le cordon de façon abusive. Ne jamais utiliser le cordon pour transporter, tirer ou débrancher un outil électrique. Tenir le cordon éloigné de la chaleur, de l'huile, des bords tranchants et des pièces mobiles.** Les cordons endommagés ou enchevêtrés augmentent les risques de choc électrique.
- Pour l'utilisation d'un outil électrique à l'extérieur, se servir d'une rallonge convenant à cette application.** L'utilisation d'une rallonge conçue pour l'extérieur réduira les risques de choc électrique.
- S'il est impossible d'éviter l'utilisation d'un outil électrique dans un endroit humide, brancher l'outil dans une prise ou sur un circuit d'alimentation dotés d'un disjoncteur de fuite à la terre (GFCI).** L'utilisation de ce type de disjoncteur réduit les risques de choc électrique.

3) Sécurité personnelle

- Être vigilant, surveiller le travail effectué et faire preuve de jugement lorsqu'un outil électrique est utilisé. Ne pas utiliser d'outil électrique en cas de fatigue ou sous l'influence de drogues, d'alcool ou de médicaments.** Un simple moment d'inattention en utilisant un outil électrique peut entraîner des blessures corporelles graves.
- Utiliser des équipements de protection individuelle. Toujours porter une protection oculaire.** L'utilisation d'équipements de protection comme un masque antipoussière, des chaussures antidérapantes, un casque de sécurité ou des protecteurs auditifs lorsque la situation le requiert réduira les risques de blessures corporelles.
- Empêcher les démarrages intempestifs. S'assurer que l'interrupteur se trouve à la position d'arrêt avant de relier l'outil à une source d'alimentation et/ou d'insérer un bloc-piles, de ramasser ou de transporter l'outil.** Transporter un outil électrique alors que le doigt repose sur l'interrupteur ou brancher un outil électrique dont l'interrupteur est à la position de marche risque de provoquer un accident.
- Retirer toute clé de réglage ou clé avant de démarrer l'outil.** Une clé ou une clé de réglage attachée à une partie pivotante de l'outil électrique peut provoquer des blessures corporelles.
- Ne pas trop tendre les bras. Conserver son équilibre en tout temps.** Cela permet de mieux maîtriser l'outil électrique dans les situations imprévues.
- S'habiller de manière appropriée. Ne pas porter de vêtements amples ni de bijoux. Garder les cheveux, les vêtements et les gants à l'écart des pièces mobiles.** Les vêtements amples, les bijoux ou les cheveux longs risquent de rester coincés dans les pièces mobiles.
- Si des composants sont fournis pour le raccordement de dispositifs de dépoussiérage et de ramassage, s'assurer que ceux-ci sont bien raccordés et utilisés.** L'utilisation d'un dispositif de dépoussiérage peut réduire les dangers engendrés par les poussières.
- Ne pas laisser votre connaissance acquise suite l'utilisation fréquente des outils vous permettre de baisser la garde et ignorer les principes de sécurité de l'outil.** Un acte irréfléchi peut causer une blessure grave en une fraction de seconde.

4) Utilisation et entretien d'un outil électrique

- Ne pas forcer un outil électrique. Utiliser l'outil électrique approprié à l'application.** L'outil électrique approprié effectuera un meilleur travail, de façon plus sûre et à la vitesse pour laquelle il a été conçu.
- Ne pas utiliser un outil électrique dont l'interrupteur est défectueux.** Tout outil électrique dont l'interrupteur est défectueux est dangereux et doit être réparé.

- Débrancher la fiche de la source d'alimentation et/ou du bloc-piles de l'outil électrique avant de faire tout réglage ou changement d'accessoire ou avant de ranger l'outil.** Ces mesures préventives réduisent les risques de démarrage accidentel de l'outil électrique.
- Ranger les outils électriques hors de la portée des enfants et ne permettre à aucune personne n'étant pas familière avec un outil électrique ou son mode d'emploi d'utiliser cet outil.** Les outils électriques deviennent dangereux entre les mains d'utilisateurs inexpérimentés.
- Entretien des outils électriques. Vérifier si les pièces mobiles sont mal alignées ou coincées, si des pièces sont brisées ou présentent toute autre condition susceptible de nuire au bon fonctionnement de l'outil électrique. En cas de dommage, faire réparer l'outil électrique avant toute nouvelle utilisation.** Beaucoup d'accidents sont causés par des outils électriques mal entretenus.
- S'assurer que les outils de coupe sont aiguisés et propres.** Les outils de coupe bien entretenus et affûtés sont moins susceptibles de se coincer et sont plus faciles à maîtriser.
- Utiliser l'outil électrique, les accessoires, les forets, etc. conformément aux présentes directives en tenant compte des conditions de travail et du travail à effectuer.** L'utilisation d'un outil électrique pour toute opération autre que celle pour laquelle il a été conçu est dangereuse.
- Gardez vos mains et les surfaces de prise sèches, propres et libres de graisse et de poussière.** Les mains et les surfaces de prise glissantes ne permettent pas la manutention et le contrôle sécuritaires de l'outil dans les situations imprévues.

5) Réparation

- Faire réparer l'outil électrique par un réparateur professionnel en n'utilisant que des pièces de rechange identiques.** Cela permettra de maintenir une utilisation sécuritaire de l'outil électrique.

Consignes de sécurité propres aux scies à onglet

- Les scies à onglet ont été conçues pour découper le bois ou des produits similaires. Elles ne peuvent être utilisées avec des meules à tronçonner pour découper des matériaux ferreux tels barres, tiges, montants, etc.** Les poussières abrasives pourront enlever les pièces mobiles comme le carter inférieur. Les étincelles provenant de la découpe abrasive pourront brûler le carter inférieur, la plaque du trait de scie ou toute autre pièce en plastique.
- Utilisez des serre-joints pour soutenir les pièces de travail lorsque possible. Si vous soutenez la pièce de travail à la main, vous devez toujours garder votre main à au moins 100 mm (4 po) de chaque côté de la lame de la scie. Ne pas utiliser cette scie pour couper des pièces trop petites pour être arrimées ou tenues manuellement de façon sécuritaire.** Si la main s'approche trop près de la lame, les risques de dommages corporels par contact avec la lame augmentent.
- La pièce à travailler doit être fixe et bien arrimée, ou maintenue, contre le guide et la table. Ne jamais alimenter la pièce à travailler vers la lame ou couper à main levée.** Une pièce non maintenue ou mobile pourrait être éjectée à grande vitesse et causer des dommages corporels.
- Poussez la scie dans la pièce de travail. Ne pas tirer la scie dans la pièce de travail. Pour faire une coupe, levez la tête de la scie et sortez-la au-dessus de la pièce de travail sans couper, démarrez le moteur, baissez la tête de la scie et poussez la scie dans la pièce de travail.** Couper sur un coup en traction risque de faire grimper la lame de la scie sur le dessus de la pièce de travail et projeter violemment l'assemblage de la lame vers l'utilisateur.
- Ne jamais laisser la main traverser la ligne de coupe, que ce soit devant ou derrière la lame.** Le fait de maintenir la pièce en croisant les bras (la maintenir du côté droit de la scie avec la main gauche, ou inversement) est extrêmement dangereux.
- Ne pas atteindre l'arrière du guide avec une ou l'autre des mains plus près de 100 mm (4 po) de chaque côté de la lame de la scie, pour retirer les résidus de bois ou pour toute autre raison pendant que la lame tourne.** La proximité de la lame en mouvement avec la main pourrait ne pas être évidente et poser des risques de dommages corporels graves.
- Vérifier la pièce avant la coupe. Si la pièce est gauchie ou voilée, l'arrimer avec la courbe externe orientée vers le guide. S'assurer systématiquement qu'il n'y a aucun espace entre la pièce, le guide et la table le long de la ligne de coupe. Les pièces gauchies ou voilées peuvent se tordre ou bouger et causer un grippage au niveau de la lame en mouvement pendant la coupe.** La pièce devrait être exempte de clous ou de tout autre objet étranger.
- Ne pas utiliser la scie tant que la table ne sera pas débarrassée de tout outil, débris de bois, etc., autre que la pièce à travailler.** Les petits débris, morceaux de bois, ou autres objets qui entreraient en contact avec la scie en mouvement pourraient être éjectés violemment.
- Couper une pièce à la fois.** Les pièces mises les unes sur les autres ne peuvent être arrimées de façon adéquate et pourraient rester coincées dans la lame ou bouger pendant la coupe.
- S'assurer que la scie à onglet est montée ou installée sur une surface plane et ferme avant son utilisation.** Une surface plane et ferme réduit les risques d'instabilité de la scie à onglet.
- Planifier le travail. À chaque changement de réglage d'angle de biseau ou d'onglet, vérifier que le guide n'interférera pas avec la lame et le dispositif de protection.** Alors que l'outil n'est pas en "MARCHE" et qu'aucune pièce ne se trouve sur la table, déplacer la lame tout du long pour simuler une coupe complète pour s'assurer qu'il n'y aura aucune interférence ou risque de couper le guide.

- l) **Offrir un soutien adéquat, tel que rallonges de table, chevalets, etc., pour toute pièce plus longue ou plus large que la table de l'établi.** Les pièces plus longues ou plus larges que la table de scie à onglet pourraient tomber si elles ne sont pas soigneusement soutenues. Si c'était le cas, aussi bien pour la pièce ou la découpe, elles pourraient soulever le carter inférieur ou être rejetées par la lame en mouvement.
- m) **Ne pas utiliser un autre individu comme substitut à une rallonge ou à un support additionnel.** Le soutien instable de la pièce pourra gripper la lame ou faire bouger la pièce pendant la découpe, et attirer l'utilisateur et son aide vers la lame en mouvement.
- n) **La découpe ne doit pas être coincée ou appuyée en aucune façon contre la lame en mouvement.** Si elle était coincée (à l'aide de butées longitudinales), la découpe pourrait être bloquée contre la lame et rejetée violemment.
- o) **Utiliser systématiquement un serre-joint ou un dispositif de fixation pour soutenir correctement des matériaux arrondis comme les barreaux ou la tubulure.** Les barreaux ont tendance à rouler pendant la coupe, gripper la lame et attirer la pièce et la main vers la lame.
- p) **Laisser la lame tourner à plein régime avant de la mettre en contact avec la pièce.** Cela réduira les risques que la pièce soit éjectée.
- q) **Si la pièce ou la lame se grippait, arrêter la scie à onglet. Attendre l'arrêt complet de toutes les pièces mobiles, déconnecter l'outil du secteur et/ou retirer le bloc-piles. Et alors seulement, libérer le matériau coincé.** Le fait de continuer à scier alors que la pièce est grippée pourra causer la perte de contrôle de la scie à onglet et l'endommager.
- r) **Une fois la coupe terminée, relâchez l'interrupteur, maintenir la tête de scie abaissée et attendre l'arrêt complet de la lame avant de retirer la découpe.** Approcher la main d'une lame au ralenti est dangereux.
- s) **Maintenir fermement la poignée pour effectuer une coupe partielle ou pour libérer l'interrupteur alors que la tête de scie n'est pas encore complètement abaissée.** Le freinage de la scie pourrait abaisser soudainement la tête de scie, et poser des risques de dommages corporels.

Règles de sécurité additionnelles relatives aux scies à onglet

AVERTISSEMENT : ne pas laisser une bonne connaissance de l'outil (acquise par l'utilisation fréquente de la scie) prendre préséance sur les règles de sécurité. Toujours se souvenir qu'une fraction de seconde d'imprudance est suffisante pour infliger de graves blessures.

AVERTISSEMENT : ne jamais modifier l'outil électrique ou toute pièce de celui-ci. Cela pourrait entraîner des dommages matériels ou des blessures corporelles.

- **NE PAS UTILISER CETTE MACHINE** tant qu'elle n'est pas complètement assemblée et installée, conformément aux instructions données. Une machine incorrectement assemblée pose des risques de dommages corporels graves.
- **DEMANDER CONSEIL** à un supérieur, un instructeur, ou à toute autre personne qualifiée, si l'on n'est pas complètement familier avec l'utilisation de cette machine. Le savoir est source de sécurité.
- **SE CONFORMER AUX NORMES DU CODE EN MATIÈRE DE CÂBLAGE** et connexions électriques pour prévenir tout risque de décharges électriques ou d'électrocution. Protéger la ligne électrique avec un fusible temporisé d'au moins 15 ampères ou un disjoncteur.
- **S'ASSURER QUE** la lame tourne dans le bon sens. Les dents de la lame devraient pointer dans le sens de rotation indiqué sur la scie.
- **RESSERRER TOUS LES LEVIERS DE VERROUILLAGE**, boutons et autres leviers avant toute utilisation. Les dispositifs de fixation lâches posent des risques d'éjection rapide et violente de la pièce à travailler.
- **S'ASSURER** que l'ensemble lame et serre-lames est propre, que les côtés encastrés des serre-lames se trouvent contre la lame et que la vis de l'arbre est resserrée soigneusement. Une lame mal ou incorrectement arrimée pose des risques de dommages matériels et corporels.
- **NE PAS UTILISER LA SCIE SUR TOUTE AUTRE TENSION AUTRE QUE CELLE SPÉCIFIÉE.** Surchauffe, dommages à l'outil et dommages corporels pourraient survenir.
- **NE RIEN BLOQUER CONTRE LE VENTILATEUR** pour maintenir l'arbre de moteur. Des dommages à l'outil et dommages corporels pourraient survenir.
- **NE JAMAIS COUPER DES MÉTAUX MÉTAUX** ou la maçonnerie. Ce genre de coupes pourrait faire éclater les pointes au carbure de la lame et les projeter violemment posant des risques de dommages corporels graves.
- **NE JAMAIS PLACER LES MAINS PLUS DE 100 mm (4 po) DE LA LAME.**
- **NE JAMAIS LAISSER AUCUNE PARTIE DU CORPS ENTRER DANS LE SILLAGE DE LA LAME SCIE,** car cela pose des risques de dommages corporels.
- **NE JAMAIS APPLIQUER DE LUBRIFIANT À LAMES SUR UNE LAME EN MOUVEMENT.** Lors de l'application du lubrifiant, les mains pourraient rencontrer la lame et provoquer des dommages corporels graves.
- **NE PAS** approcher les mains de la lame lorsque la scie est branchée sur une source d'alimentation. L'activation accidentelle de la lame pose des risques de dommages corporels graves.
- **NE JAMAIS APPROCHER LES MAINS DE LA LAME, NI AUTOUR NI DERRIÈRE.** Une lame peut causer des dommages corporels graves.
- **NE PAS PASSER LES MAINS SOUS LA SCIE** à moins qu'elle ne soit à l'arrêt et débranchée. Tout contact avec la lame de scie pose des risques de dommages corporels.
- **ARRIMER SOIGNEUSEMENT LA MACHINE À UN SUPPORT STABLE.** Les vibrations pourraient faire glisser la machine, ou bouger ou basculer, posant des risques de dommages corporels graves.
- **UTILISER UNIQUEMENT DES LAMES DE SCIE À COUPE TRANSVERSALE** recommandées pour scies à onglet. Pour optimiser les résultats, ne pas utiliser de lames à pointes de carbure avec un

angle d'attaque supérieur à 7 degrés. Ne pas utiliser des lames à creux de dent profonds. Elles pourraient changer de course et toucher le carter, et poser des risques de dommages matériels et/ou corporels graves.

- **UTILISER UNIQUEMENT DES LAMES DE LA TAILLE ET DU TYPE CORRECTS** indiqués pour cet outil pour prévenir tout dommage matériel et/ou corporel grave.
- **VÉRIFIER QUE LES LAMES NE COMPORTENT AUCUNE FISSURE** ni aucun autre dommage avant chaque utilisation. Une lame fissurée ou endommagée peut se casser et des morceaux pourraient être éjectés violemment, et causer des dommages corporels graves. Changer immédiatement toute lame fissurée ou endommagée.
- **NETTOYER LA LAME ET LES SERRE-LAMES** avant chaque utilisation. Leur nettoyage permettra de vérifier qu'ils ne comportent aucun dommage. Une lame ou un serre-lame fissuré ou endommagé peut se casser et des morceaux pourraient être éjectés violemment, et causer des dommages corporels graves.
- **NE PAS UTILISER DE LAMES VOILÉES.** Vérifier que la lame tourne correctement et sans vibration. Une lame qui vibre pose des risques de dommages matériels et corporels graves.
- **NE PAS** utiliser de lubrifiant ou de nettoyant (particulièrement en vaporisateur ou en aérosol) à proximité du carter en plastique. Le matériau en polycarbonate utilisé pour le carter peut être attaqué par certains produits chimiques.
- **MAINTENIR LES DISPOSITIFS DE PROTECTION EN PLACE** et en bon état de marche.
- **UTILISER SYSTÉMATIQUEMENT LA PLAQUE DE TRAIT ET LA REMPLACER SI ELLE EST ENDOMMAGÉE.** De petits débris s'accumulant sous la scie pourraient interférer avec la lame de scie et causer l'instabilité de la pièce lors de la coupe.
- **UTILISER UNIQUEMENT LES SERRE-LAMES RECOMMANDÉS POUR CET OUTIL** pour prévenir tout dommage matériel et/ou corporel grave.
- **ÉLIMINER DES ORIFICES D'AÉRATION DU MOTEUR** tout débris ou sciure. Des orifices d'aération bouchés pourraient causer la surchauffe de la machine et l'endommager. Cela pourrait aussi provoquer un court-circuit qui poserait des risques de dommages corporels graves.
- **NE JAMAIS VERROUILLER L'INTERRUPTEUR EN POSITION DE MARCHÉ (ON),** car cela pose des risques de dommages corporels graves.
- **NE JAMAIS MONTER SUR L'OUTIL.** De sérieux dommages corporels pourraient en résulter si l'outil basculait ou en cas de contact involontaire avec l'organe de coupe.
- **DES INFORMATIONS COMPLÉMENTAIRES** sur la sécurité et l'utilisation correcte des outils électriques (ex. : vidéo sécurité) sont à votre disposition auprès du Power Tool Institute (l'Institut des outils électriques), 1300 Sumner Avenue, Cleveland, OH 44115-2851 (www.powertoolinstitute.com). Des informations sont aussi à votre disposition auprès du National Safety Council (Conseil National de la Sécurité), 1121 Spring Lake Drive, Itasca, IL 60143-3201. Se reporter aux standards de l'institut : American National Standards Institute ANSI 01.1, Directives de sécurité pour les machines à bois et à la réglementation OSHA 1910. 213 du Ministère du travail américain.

AVERTISSEMENT : le fait de découper des plastiques, du bois enduit de sève ou autres matériaux pouvant causer l'accumulation de matériaux fondus sur les pointes de lame et le corps de lame, augmente les risques de surchauffe et de grippage lors de la coupe.

AVERTISSEMENT : porter **SYSTÉMATIQUEMENT** des lunettes de protection. Les lunettes courantes NE sont PAS des lunettes de protection. Utiliser aussi un masque antipoussières si la découpe doit en produire beaucoup. **PORTER SYSTÉMATIQUEMENT UN ÉQUIPEMENT DE SÉCURITÉ HOMOLOGUÉ :**

- Protection oculaire ANSI Z87.1 (CAN/CSA Z94.3) ;
- Protection auditive ANSI S12.6 (S3.19) ;
- Protection des voies respiratoires NIOSH/OSHA/MSHA.

AVERTISSEMENT : les scies, meules, ponceuses, perceuses ou autres outils de construction peuvent produire des poussières contenant des produits chimiques reconnus par l'État californien pour causer cancers, malformations congénitales ou être nocifs au système reproducteur. Parmi ces produits chimiques, on retrouve :

- Le plomb dans les peintures à base de plomb ;
- La silice cristallisée dans les briques et le ciment, ou autres produits de maçonnerie ; et
- L'arsenic et le chrome dans le bois ayant subi un traitement chimique.

Le risque associé à de telles expositions varie selon la fréquence à laquelle on effectue ces travaux. Pour réduire toute exposition à ces produits : travailler dans un endroit bien aéré, en utilisant du matériel de sécurité homologué, tel un masque antipoussières spécialement conçu pour filtrer les particules microscopiques.

• **Limiter toute exposition prolongée avec les poussières provenant du ponçage, sciage, meulage, perçage ou toute autre activité de construction. Porter des vêtements de protection et nettoyer à l'eau savonneuse les parties du corps exposées.** Le fait de laisser la poussière pénétrer dans la bouche, les yeux ou la peau peut favoriser l'absorption de produits chimiques dangereux.

AVERTISSEMENT : cet outil peut produire et/ou répandre de la poussière susceptible de causer des dommages sérieux et permanents au système respiratoire. Utiliser systématiquement un appareil de protection des voies respiratoires homologué par le NIOSH ou l'OSHA. Diriger les particules dans le sens opposé au visage et au corps.




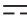








AVERTISSEMENT : pendant l'utilisation, porter systématiquement une protection auditive individuelle adéquate homologuée ANSI S12.6 (S3.19). Sous certaines conditions et suivant la durée d'utilisation, le bruit émanant de ce produit pourrait contribuer à une perte de l'acuité auditive.

- **Prendre des précautions à proximité des événements, car ils cachent des pièces mobiles.** Vêtements amples, bijoux ou cheveux longs risquent de rester coincés dans ces pièces mobiles.
- **Pour la sécurité de l'utilisateur, utiliser une rallonge de calibre adéquat (AWG, American Wire Gauge [calibrage américain normalisé des fils électriques]).** Plus le calibre est petit, et

plus sa capacité est grande. Un calibre 16, par exemple, a une capacité supérieure à un calibre 18. L'usage d'une rallonge de calibre insuffisant causera une chute de tension qui entraînera perte de puissance et surchauffe. Si plus d'une rallonge est utilisée pour obtenir une certaine longueur, s'assurer que chaque rallonge présente au moins le calibre de fil minimum. Le tableau ci-dessous illustre les calibres à utiliser selon la longueur de rallonge et l'intensité nominale indiquée sur la plaque signalétique. En cas de doute, utiliser le calibre suivant. Plus le calibre est petit, plus la rallonge peut supporter de courant.

Calibre minimum pour les cordons d'alimentation					
Volts	Longueur totale du cordon d'alimentation en mètre (pieds)				
	120 V	7,6 (25)	15,2 (50)	30,5 (100)	45,7 (150)
240 V	15,2 (50)	30,5 (100)	61,0 (200)	91,4 (300)	
Ampères		AWG			
Plus que	Pas plus que				
0	6	18	16	16	14
6	10	18	16	14	12
10	12	16	16	14	12
12	16	14	12	Non recommandé	

L'étiquette apposée sur votre outil peut inclure les symboles suivants. Les symboles et leur définition sont indiqués ci-après :

V.....volts	 or AC.....courant alternatif
Hz.....hertz	 or AC/DC.....courant alternatif ou continu
min.....minutes	fabrication classe II (double isolation)
 or DC.....courant continu	n_0vitesse à vide
fabrication classe I (mis à la terre)	nvitesse nominale
.../min.....par minute	borne de terre
BPM.....battements par minute	symbole d'avertissement
IPM.....impacts par minute	radiation visible
RPM.....révolutions par minute	protection respiratoire
sfpm.....pieds linéaires par minute (plpm)	protection oculaire
SPM (FPM).....fréquence par minute	protection auditive
A.....ampères	lire toute la documentation
W.....watts	

Pour des raisons de fonctionnalité et de sécurité, les étiquettes d'avertissement suivantes figurent sur votre scie à onglet.

SUR L'EMBOÛT DU MOTEUR :

POUR RÉDUIRE LE RISQUE DE BLESSURE, L'UTILISATEUR DOIT LIRE LE GUIDE D'UTILISATION. AFIN DE RÉDUIRE LE RISQUE DE BLESSURES, PORTEZ UNE PROTECTION OCULAIRE ET RESPIRATOIRE. UTILISEZ SEULEMENT DES PIÈCES DE REMPLACEMENT IDENTIQUES. NE PAS EXPOSER À LA PLUIE OU UTILISER DANS DES ENDROITS HUMIDES.

SUR LE GUIDE :

AJUSTEZ TOUJOURS LE GUIDE DE FAÇON APPROPRIÉE AVANT L'UTILISATION. SERREZ LES PETITES PIÈCES AVANT DE COUPER. CONSULTEZ LE GUIDE D'UTILISATION.


SUR LE PARE-MAIN :

DANGER – RESTEZ À L'ÉCART DE LA LAME.

SUR LE PARE-MAIN SUPÉRIEUR :

FIXEZ BIEN LE SUPPORT DE FIXATION AVEC LES DEUX VIS AVANT D'UTILISER LE PRODUIT.

SUR LA TABLE : (À 2 ENDROITS)

 **AVERTISSEMENT : GARDEZ VOS MAINS ET VOTRE CORPS HORS DE PORTÉE DE LA TRAJECTOIRE DE LA LAME DE LA SCIE. TOUT CONTACT AVEC LA LAME ENTRAÎNERA UNE BLESSURE GRAVE. NE PAS UTILISER LA SCIE SANS LES PROTECTEURS EN PLACE. VÉRIFIEZ LE SYSTÈME DE PROTECTION AFIN D'ASSURER QU'IL FONCTIONNE CORRECTEMENT. NE FAIRE AUCUN TRAVAIL À MAIN LEVÉE. NE JAMAIS TOUCHER L'ARRIÈRE DE LA LAME DE LA SCIE ÉTEIGNEZ L'OUTIL ET ATTENDEZ QUE LA LAME S'ARRÊTE AVANT DE DÉPLACER LA PIÈCE DE TRAVAIL, MODIFIER LES RÉGLAGES OU DÉPLACER VOS MAINS. NE JAMAIS CROISER LES BRAS À L'AVANT DE LA LAME. SERREZ TOUJOURS LES BOUTONS DE RÉGLAGE AVANT CHAQUE UTILISATION. DÉBRANCHEZ L'ALIMENTATION AVANT DE CHANGER LA LAME OU L'ENTRETIEN.**

SUR LA TABLE : (À 2 ENDROITS)



Double isolation

Afin de protéger l'utilisateur contre les décharges électriques, les outils à double isolation sont complètement recouverts de deux couches distinctes d'isolant électrique ou d'une simple épaisseur renforcée de matière isolante. Les outils comportant ce système d'isolation ne sont pas conçus pour être mis à la terre. L'outil est donc doté d'une prise à deux broches qui permet d'utiliser des rallonges sans avoir à se soucier de maintenir une connexion à la terre.

REMARQUE : le fait que cet outil soit muni d'une double isolation ne signifie pas que l'utilisateur peut cesser de respecter les consignes de sécurité qui s'imposent. L'isolation secondaire offre une protection contre tout dommage corporel pouvant résulter d'une défaillance électrique possible du système primaire d'isolation interne.

 **ATTENTION : EN CAS DE RÉPARATION, UTILISER UNIQUEMENT DES PIÈCES DE RECHANGE IDENTIQUES. Réparer ou remplacer les cordons d'alimentation endommagés.**

Fiches polarisées

Certains appareils comportent des fiches polarisées (c'est-à-dire qu'une lame est plus large que l'autre) afin de réduire le risque de choc électrique. Lorsqu'elle est présente, cette fiche ne se branche que d'une seule façon dans une prise de courant polarisée. Si la fiche ne s'insère pas totalement dans la prise de courant, l'inverser. Si elle ne s'insère toujours pas dans la prise, demander à un électricien compétent d'installer une fiche polarisée. Ne pas remplacer la fiche.

Connexion électrique

S'assurer que votre bloc d'alimentation est compatible avec l'inscription de la plaque signalétique. 120 volts, c.a. signifie que votre scie ne peut uniquement fonctionner qu'en courant alternatif. Une diminution de tension de 10 pour cent ou plus risquera de provoquer une perte de puissance et une surchauffe. Tous les outils DEWALT sont testés en usine. Si l'outil ne fonctionne pas, vérifier l'alimentation.

Caractéristiques

Capacité de coupe

Onglet gauche à 50°, Onglet droit à 60°

Biseau droit et gauche à 49°

Onglet à 0°

Hauteur maximale 112 mm (4,4 po)

Largeur résultante 231 mm (9,1 po)

Largeur maximale 349 mm (13,75 po)

Hauteur résultante 76 mm (3,0 po)

Onglet à 45°

Hauteur maximale 112 mm (4,4 po)

Largeur résultante 147 mm (5,8 po)

Largeur maximale 244 mm (9,6 po)

Hauteur résultante 76 mm (3,0 po)

Biseau à 45° - Gauche

Hauteur maximale 79 mm (3,1 po)

Largeur résultante 290 mm (11,4 po)

Largeur maximale 349 mm (13,75 po)

Hauteur résultante 43 mm (1,7 po)

Biseau à 45° - Droit

Largeur maximale 56 mm (2,2 po)

Hauteur résultante 290 mm (11,1 po)

Hauteur maximale 349 mm (13,75 po)

Largeur résultante 28 mm (1,1 po)

La scie est capable de découper des moulures de plinthes de 19 mm (0,75 po) d'épaisseur par 165,1 mm (6,5 po) de hauteur sur un onglet droit ou gauche à 45°.

Entraînement

Moteur 120 V

Moteur 15 ampères

3800 tr/min

Engrenages hélicoïdaux taillés

Courroie trapézoïdale

Lame en carbure

Frein électrique automatique

Désemballage de la scie

Vérifier le contenu de la boîte pliante de la scie à onglets pour s'assurer que toutes les pièces ont été livrées. En plus de ce mode d'emploi, la boîte pliante devrait contenir :

1 Scie à onglet DWS779

1 Lame de scie DEWALT de 305 mm (12 po) de diamètre.

Dans le sac :

1 Clé de lame

1 Bride de fixation de matériel

2 Rondelles de frein

2 Écrous à oreilles

1 Sac de poussière

1 Rallonge de la base (droite)

1 Rallonge de la base (gauche)

1 Guide d'utilisation

Usage Prévu

Cette scie à onglets robuste est conçue pour les applications de coupe du bois professionnelles.

NE PAS utiliser en conditions mouillées ou en présence de liquides ou de gaz inflammables.

Cette scie à onglets est un outil électrique professionnel. **NE PAS** le laisser à la portée des enfants. Une supervision est nécessaire auprès de tout utilisateur non expérimenté.

Familiarisation (Fig. A, B)

Votre scie à onglets n'est pas entièrement assemblée dans la boîte. Consultez la section **Assemblage et Ajustements** pour des instructions d'assemblage. Ouvrir la boîte et sortir la scie en la prenant par la poignée de transport **13**, tel qu'il est illustré à la Figure B.

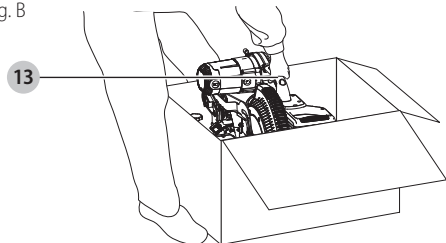
Installez la scie sur une surface plane et lisse comme un établi, une table robuste ou un établi de scie à onglet DEWALT.

Examiner la Figure A pour se familiariser avec la scie et ses diverses pièces. La section concernant les réglages renverra à ces termes et il faut savoir quelles sont les différentes pièces et où elles se trouvent.

ATTENTION : risque de pincement. Pour réduire le risque de blessures, garder le pouce sous la poignée lors de son abaissement. Lors de l'abaissement de la poignée, le dispositif de protection inférieur se déplacera vers le haut et pourrait pincer l'utilisateur. La poignée est placée près du carter pour des coupes particulières.

Appuyez légèrement sur la poignée de manœuvre **2**, tirez sur le bouton de verrouillage de la tête **17**. Relâchez doucement la presse vers le bas et laissez le bras se lever à sa pleine hauteur. Utilisez une tige de verrouillage lorsque vous transportez la scie d'un endroit à l'autre. Utilisez systématiquement la poignée de levage **13** pour transporter la scie ou les indentations de prise **9** illustrées en Figure A.

Fig. B



Montage sur établi (Fig. A)

Les pieds sont munis de trous **3** pour faciliter le montage sur établi, tel qu'illustré à la Figure A (deux trous de taille différente sont prévus afin d'accueillir des vis de différentes tailles. Utilisez l'un des trous, il n'est pas nécessaire d'utiliser les deux.) Assemblez toujours fermement votre scie sur une surface stable pour éviter tout mouvement. Pour améliorer la portabilité de l'outil, il peut être monté sur une pièce de contreplaqué de 12,7 mm (1/2 po) ou plus d'épaisseur, qui peut à son tour être fixée à votre support d'ouvrage ou déplacée vers un autre site de travail et fixée à nouveau.

REMARQUE : Si la scie doit être fixée à une pièce de contreplaqué, s'assurer que les vis de montage ne dépassent pas de la partie inférieure du bois. Le contreplaqué doit reposer à plat sur le support de la pièce. Lors de la fixation de la scie à toute surface de travail, ne la fixer que sur les brides de fixation où se situent les trous des vis de montage. L'utilisation des brides de fixation à tout autre endroit nuirait à coup sûr au fonctionnement adéquat de la scie.

ATTENTION : pour éviter tout grippage et manque de précision, s'assurer que la surface de montage n'est pas tordue et ne présente pas d'autre défaut. Si la scie bascule sur la surface, placer une pièce de matériau de faible épaisseur sous l'un des pieds de la scie, jusqu'à ce que cette dernière soit fermement assise sur la surface de montage.

Transport de la scie (Fig. A)

AVERTISSEMENT : pour réduire tout risque de dommages corporels, éteindre l'outil et le débrancher avant de le déplacer, de changer les accessoires ou de réaliser des réglages.

AVERTISSEMENT : pour réduire tout risque de dommages corporels graves, verrouiller systématiquement la molette de verrouillage de rail **29**, la manette de verrouillage d'onglet **5**, la manette de verrouillage de chanfrein **11**, la goupille de blocage **17**, et le bouton de réglage de guide **14**, avant de transporter la scie.

Afin de bien transporter la scie à onglets d'un endroit à l'autre, une poignée de levage **13** a été incluse sur le dessus de bras de la scie les encoches pour mains **9** à la base, comme illustré dans la Figure A. Pour transporter la scie, abaissez le bras de la scie et appuyez sur la tige de verrouillage de la tête **17** pour sécuriser le bras. Il cliquera en position de verrouillage.

ASSEMBLAGE ET AJUSTEMENTS

AVERTISSEMENT : pour réduire le risque de blessures graves, éteindre l'outil et retirer le débrancher avant d'effectuer tout réglage et d'enlever ou d'installer tout accessoire. Un démarrage accidentel peut provoquer des blessures.

REMARQUE : La scie à onglets est réglée en usine de manière complète et précise au moment de sa fabrication. Si un nouveau réglage est requis à cause de l'expédition, du transport ou d'une autre raison, suivre la procédure suivante pour régler la scie.

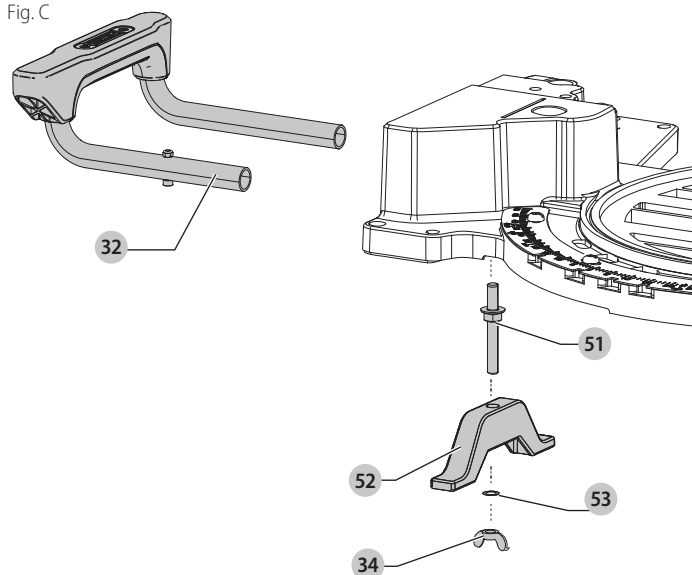
Lorsque ces réglages ont été effectués, ils devraient conserver leur précision. Passer maintenant quelques instants à suivre ces directives attentivement afin de profiter de l'intégralité de la précision dont la scie est capable.

Assembler les rallonges de la base (Fig. C)

AVERTISSEMENT : les rallonges de la base doivent être assemblées des deux côtés de la base de la scie avant d'utiliser la scie.

1. Localisez le boulon fileté **51** assemblé au préalable sous la base de la scie.
2. La rallonge **32** doit être orientée comme illustré dans l'illustration en glissant complètement vers l'arrière dans les supports en U.
3. Serrez les tiges de la rallonge contre la base de la scie à onglets en insérant la pince **52** sur le boulon fileté, suivi de la rondelle **53** et en vissant l'écrou à oreilles **34**. Assurez-vous que la rallonge est solide en tirant sur l'extension pour vérifier qu'il n'y a aucun mouvement.
4. Répétez les étapes 1 à 3 de l'autre côté.

Fig. C



Changement ou pose d'une nouvelle lame de scie (Fig. A, D-F)

AVERTISSEMENT : pour réduire tout risque de dommages corporels, éteindre l'outil et le débrancher avant de le déplacer, de changer les accessoires ou de réaliser des réglages.

ATTENTION :

- ne jamais enfoncer le bouton de verrouillage de la broche lorsque la lame est sous tension ou qu'elle continue de tourner après l'arrêt de la scie.
- ne pas couper du métal ferreux (contenant du fer ou de l'acier), de la maçonnerie ou du fibrociment avec cette scie à onglets.

Dépose de la lame

1. Débrancher la scie.
2. Soulever le bras jusqu'à la position supérieure, puis lever le pare-main **4** aussi haut que possible.
3. Desserrer la vis du support du pare-main **54** sans l'enlever de manière à ce que le support puisse être levé suffisamment haut pour accéder à la vis de la lame **35**. Le pare-main inférieur demeurera levé en raison de la position de la vis du support de pare-main.
4. Enfoncer le bouton de verrouillage de la broche **19** tout en tournant la lame de scie manuellement de manière à engager le dispositif de verrouillage.
5. Maintenir le bouton enfoncé et utiliser l'autre main et la clé de lame **37** pour desserrer la vis de la lame. (Tourner dans le sens horaire, filets inversés.)

Fig. D

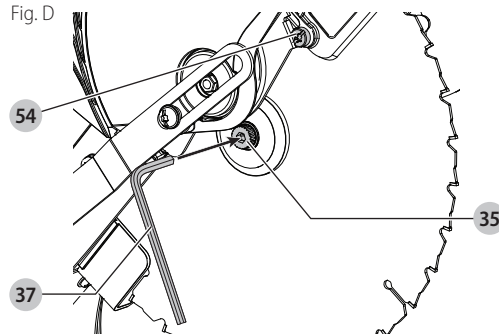
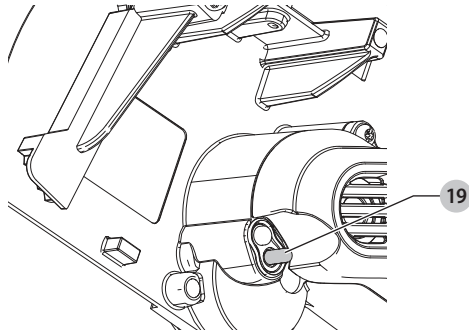


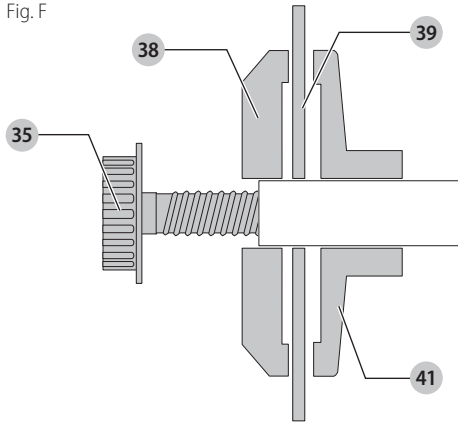
Fig. E



6. Enlever la vis **35** l'attache de lame extérieure **38** et la lame **39**. L'attache de lame interne **41**, et le cas échéant, l'adaptateur de lame de 25,4 mm (1 po), peuvent être laissés sur la broche.

REMARQUE : L'adaptateur de lame de 25,4 mm (1 po) n'est pas utilisé pour les lames dotées d'un trou de lame de 15,88 mm (5/8 po).

Fig. F



Pose d'une lame

- Débrancher la scie.
- Avec le bras élevé, le protecteur le plus bas tenu ouvert et le support du protecteur élevé, placez la lame sur la tige sur l'adaptateur de la lame [si vous utilisez une lame ayant un trou d'un diamètre de 25,4 mm (1 po) et contre la pince de la lame interne avec les dents en bas de la lame pointant vers l'arrière de la scie.
- Assembler l'attache de lame extérieure sur la broche.
- Poser la vis de la lame et, tout en engageant le bouton de verrouillage de la broche, serrer fermement la vis **35** avec la clé de lame. (Tourner dans le sens antihoraire, filets inversés.)
REMARQUE : l'adaptateur de lame n'est pas utilisé pour les lames à trou de 15,88 mm (5/8 po) et doit être rangé dans un endroit sûr pour un usage ultérieur.
- Remettre le support de pare-main à sa position d'origine, puis serrer fermement la vis **54** du support de pare-main afin de maintenir en place le support.

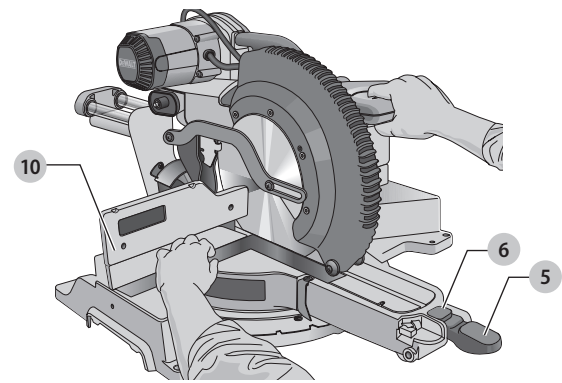
AVERTISSEMENT :

- Le support du pare-main doit être remis à sa position d'origine et la vis doit être serrée avant d'activer la scie.
- Négliger de le faire risque de faire entrer en contact le pare-main avec la lame de scie tournante et ainsi causer des dommages à la scie et des blessures corporelles graves.

Réglage de l'échelle d'onglets (Fig. A, G)

Déverrouillez la poignée de blocage d'onglet **5** et faites pivoter le bras d'onglet jusqu'à ce que le bouton de loquet d'onglet **6** s'enclenche sur la position d'onglet à 0°. Ne verrouillez pas la poignée de blocage d'onglet. Appliquez une équerre contre le guide de scie et la lame, comme illustré. (Ne pas mettre en contact l'équerre avec la pointe des dents de lame. Cela donnerait une mesure inexacte.) Si la lame n'est pas parfaitement perpendiculaire au guide **10**, desserrez les quatre vis du pointeur d'onglet **8** maintenant l'échelle d'onglet et déplacez la poignée de blocage d'onglet et l'échelle, vers la gauche ou la droite, jusqu'à ce que la lame soit perpendiculaire au guide (vérifiez avec l'équerre). Resserrez les quatre vis. Ne faites pas attention aux indications données par le pointeur d'onglet à ce stade.

Fig. G



Réglage du pointeur d'onglets (Fig. A)

Déverrouillez la poignée de blocage d'onglet **5** pour déplacer le bras d'onglet sur la position zéro. Alors que le loquet d'onglet est déverrouillé, laissez le verrou d'onglet s'enclencher en place en amenant le bras d'onglet sur zéro. Observez le pointeur d'onglet **30** et l'échelle d'onglet **7** illustrés en Figure A. Si le pointeur n'indique pas exactement zéro, desserrez la vis du pointeur d'onglet **26** tout en maintenant le pointeur fixe, puis repositionnez le pointeur et resserrez la vis.

Réglage du biseau en équerre avec la table (Fig. A, H)

Pour aligner la lame perpendiculairement à la table **16**, verrouillez le bras de scie en position basse avec la goupille de blocage **17**. Placez une équerre contre la lame, en vous assurant que l'équerre ne soit pas sur une dent. Desserrez la molette de verrouillage de biseau **11** et assurez-vous que le bras est fermement appuyé contre la butée de biseau à 0°. Tournez la vis de réglage du biseau **42** à 0° à l'aide de la clé pour lame de 1/2 po jusqu'à ce que la lame forme un biseau de 0° avec la table.

Fig. H

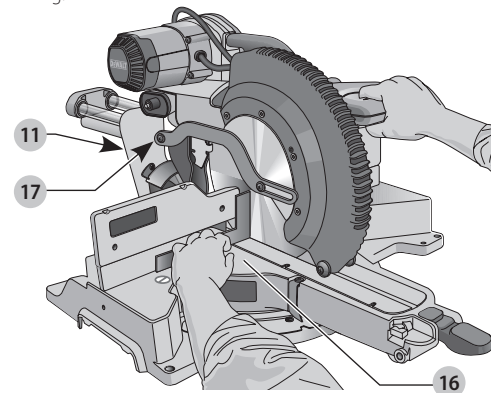
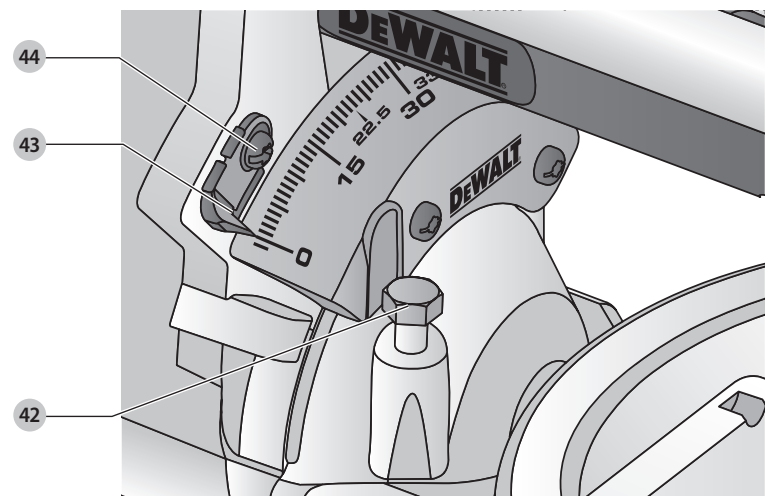


Fig. I



Pointeur de biseau (Fig. I)

Si le pointeur de biseau **43** n'indique pas zéro, desserrez la vis **44** qui le fixe en place et déplacer le pointeur au besoin. Assurez-vous que le biseau à 0° est correct et que les pointeurs de biseau sont bien réglés avant d'ajuster toute autre vis d'angle de biseau.

Réglage de la butée du biseau de 45° à gauche ou à droite (Fig. A, I)

Pour ajuster l'angle de biseau droit à 45°, desserrez la molette de verrouillage de biseau **11** et tirez sur la butée de biseau à 0° pour la désactiver. Lorsque la scie est complètement à droite, et que le pointeur de biseau n'indique pas exactement 45°, tournez la vis de réglage

du biseau **33** (Fig. A) à 45° à l'aide de la clé pour lame de 1/2 po jusqu'à ce que le pointeur de biseau indique 45°.

Pour ajuster la butée de biseau gauche à 45°, desserrez d'abord la molette de verrouillage de biseau puis inclinez la tête vers la gauche. Si le pointeur de biseau n'indique pas exactement 45°, tournez la vis de réglage de biseau **43** à 45° jusqu'à ce que le pointeur de biseau indique 45°.

Réglage du guide (Fig. A)

Pour permettre d'ajuster la scie sur plusieurs positions de biseau, il pourra s'avérer nécessaire d'ajuster l'un des guides pour offrir un espacement suffisant. Pour régler chaque guide, desserrez la poignée de réglage **14** de guide et poussez le guide vers l'extérieur. Faites un essai à vide avec la scie sans la mettre en marche pour vérifier si l'espace est suffisant. Ajustez le guide le plus près possible de la lame pour offrir un support maximum à la pièce à travailler, sans pour autant interférer avec le mouvement vertical du bras. Resserrez soigneusement la poignée de réglage de guide. N'oubliez pas de remettre le guide en place une fois les opérations de biseau terminées.

Pour certaines coupes, il pourra s'avérer nécessaire de rapprocher les guides de la lame. Pour ce, desserrez les molettes d'ajustement du guide de deux tours puis rapprochez les guides de la lame, au-delà des limites habituelles, puis resserrez les molettes d'ajustement du guide pour maintenir les guides dans cette position. Lorsque vous utilisez cette fonctionnalité, faites un passage à vide pour vous assurer que la lame n'entrera pas en contact avec les guides.

REMARQUE : dû à la sciure, les rails des guides pourront s'encrasser. Si c'est le cas, utiliser une brosse ou de l'air comprimé, faible intensité, pour nettoyer les rainures des guides.

Activation du pare-main et visibilité (Fig. A, Y)

ATTENTION : *risques de pincement. Pour réduire tout risque de dommages corporels, maintenir le pouce sous la poignée de fonctionnement pour la rabaisser. Le pare-main inférieur s'élèvera alors que la poignée de fonctionnement sera abaissée, et cela pourrait vous pincer.*

Le pare-main inférieur **4** de votre scie a été conçu pour découvrir automatiquement la lame lorsque le bras est abaissé et pour couvrir la lame lorsque le bras est relevé.

Le pare-main peut être élevé manuellement pour installer ou retirer les lames de scie ou pour inspecter la scie. **NE JAMAIS ÉLEVER LE PARE-MAIN INFÉRIEUR MANUELLEMENT SI LA LAME N'EST PAS À L'ARRÊT COMPLET.**

REMARQUE : certaines découpes spéciales de matériaux de grande taille requièrent de soulever manuellement le pare-main. Consulter **Découpe de grands matériaux** matériaux sous **Découpes spéciales**.

La partie frontale du pare-main est persiennée pour offrir de la visibilité pendant la découpe. Bien que les persiennes réduisent drastiquement les projections de débris, il s'agit d'ouvertures dans le pare-main; vous devez donc toujours porter des lunettes de sécurité lorsque vous regardez au travers des persiennes.

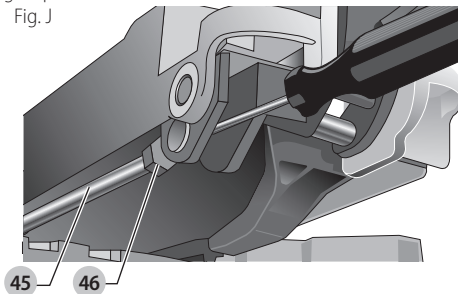
Réglage de la glissière de sécurité (Fig. A)

Vérifiez régulièrement les rails **23** pour vous assurer de l'absence de jeu ou de dégagement. Il est possible de régler le rail de droite à l'aide de la vis de calage **31** illustrée à la Figure A. Pour réduire le dégagement, utilisez une clé hexagonale de 4 mm et faites graduellement pivoter la vis de calage dans le sens horaire tout en faisant glisser la tête de vis en va et vient. Réduisez le jeu tout en maintenant une force de glissement minimale.

Réglage du blocage d'onglet (Fig. A, J)

La tige de blocage d'onglet **45** doit être réglée si la table de scie peut bouger alors que la poignée de blocage d'onglet **5** est verrouillée (vers le bas). Pour régler le blocage d'onglet, mettez la poignée de blocage d'onglet en position déverrouillée (vers le haut). À l'aide d'une clé ouverte de 13 mm (1/2 po), desserrez le contre-écrou **46** sur la tige de blocage d'onglet. À l'aide d'un tournevis pour écrous à fente, serrez la tige de blocage d'onglet en tournant vers la droite. Tournez la tige de verrouillage jusqu'à ce qu'elle soit bien serrée, puis tournez vers la gauche d'un tour. Pour vous assurer que le blocage d'onglet fonctionne correctement, reverrouillez le blocage d'onglet sur une mesure non crantée sur l'échelle d'onglet, par exemple : 34°, et assurez-vous que la table ne bougera pas. Resserrez le contre-écrou.

Fig. J



Commandes

La scie à onglets mixtes est dotée de plusieurs commandes, qui sont brièvement évoquées ici. Pour plus de renseignements au sujet de ces commandes, consulter plus loin dans le manuel les rubriques respectives.

Commandes d'onglet (Fig. A)

La poignée de blocage d'onglet **5** et le bouton de loquet d'onglet **6** permettent d'ajuster l'onglet de votre scie à 60° à droite et 50° à gauche. Pour ajuster l'onglet, soulevez le loquet d'onglet, puis appuyez sur le bouton de loquet d'onglet et ajustez l'angle d'onglet désiré sur l'échelle d'onglet **7**. Abaissez la poignée de blocage d'onglet pour verrouiller l'angle d'onglet.

Détente (Fig. A)

La détente **1** met en marche et arrête la scie. Un trou est prévu dans l'interrupteur pour y insérer un cadenas et verrouiller la scie.

Annulation du loquet d'onglet (Fig. A)

L'annulation du loquet d'onglet **22** permet de désactiver les butées habituelles d'angle de la scie. Pour les désactiver, poussez sur le bouton de loquet d'onglet **6** et tournez le levier d'annulation du loquet d'onglet à la verticale.

Molette de verrouillage de biseau (Fig. A)

Le verrouillage de biseau **11** vous permet de régler le biseau de la scie à 49° à gauche ou à droite. Pour régler le paramètre de biseau, tournez le bouton vers la gauche. La tête de scie ajuste facilement le biseau vers la gauche ou la droite une fois que la molette d'annulation de biseau à 0° est tirée. Pour la resserer, tournez la molette de verrouillage de biseau vers la droite.

Dispositifs de neutralisation de la butée du biseau 45° (Fig. I)

Les dispositifs de neutralisation de la butée de biseau sont maintenus fixés par leur vis de fixation pour éviter tout déplacement imprévu. Utiliser la mèche de la clé de la lame pour desserrer la vis de fixation. Cela permet aux glissières d'être tirées vers l'extérieur et de faire pivoter la tête de la scie au-delà du repère de 45°. S'assurer de resserer la vis de fixation après avoir terminé.

Poignée de blocage de rail (Fig. A)

La poignée de blocage de rail **29** vous permet de verrouiller fermement la tête de scie pour l'empêcher de glisser sur les rails. C'est nécessaire pour effectuer certaines coupes ou pour transporter la scie.

Butée de profondeur (Fig. A)

La butée de profondeur **24** permet de limiter la profondeur de coupe de la lame. La butée est utile pour des applications comme le rainurage et les coupes verticales hautes. Tournez la butée de profondeur vers l'avant et ajustez la vis de réglage de profondeur **28** sur la profondeur de coupe désirée. Pour arrimer le réglage, resserrez l'écrou à ailettes **20**. Tournez la butée de profondeur vers l'arrière de la scie pour passer outre la fonctionnalité de butée de profondeur. Si la vis de réglage de profondeur est trop serrée pour la dévisser manuellement, utilisez la clé pour lame fournie avec la scie.

Goupille de blocage (Fig. A)

AVERTISSEMENT : *la goupille de blocage ne doit être utilisée que pour transporter ou entreposer la scie. Ne jamais utiliser la goupille de blocage pendant la découpe.*

Pour verrouiller la tête de scie en position basse, poussez la tête de scie vers le bas, poussez sur la goupille de blocage **17** puis relâchez la tête de scie. Cela maintiendra solidement la tête de scie en position basse pour déplacer la scie d'un lieu à l'autre. Pour la libérer, appuyez sur la tête de scie et retirez la goupille.

Frein électrique automatique

Votre scie est équipée d'un frein de lame électrique automatique qui arrête la lame de la scie dans les 5 secondes qui suivent le relâchement de la détente. Cela n'est pas réglable.

Un délai peut parfois se produire entre le relâchement de la détente et l'engagement du frein. En de rares occasions, le frein peut ne pas s'engager du tout et la lame ralentira jusqu'à s'arrêter complètement.

Si un délai ou un « saut » se produit, allumez et éteignez la scie 4 ou 5 fois. Si le problème persiste, faites réparer l'outil par un centre de service agréé DEWALT.

Assurez-vous toujours que la lame s'est arrêtée avant de retirer du trait de scie. Le frein n'est pas un remplacement pour les pare-mains. Pour assurer votre sécurité, concentrez-vous entièrement sur la scie.

UTILISATION

AVERTISSEMENT : *pour réduire le risque de blessures graves, éteindre l'outil et retirer le débrancher avant d'effectuer tout réglage et d'enlever ou d'installer tout accessoire. Un démarrage accidentel peut provoquer des blessures.*

AVERTISSEMENT : *toujours porter une protection oculaire. Tous les utilisateurs et spectateurs doivent porter une protection oculaire conforme à la norme ANSI Z87.1 (CAN/CSA Z94.3).*

Brancher la scie à une source d'alimentation domestique standard de 60 Hz. Se reporter à la plaque signalétique pour la tension. S'assurer que le cordon ne nuira pas avec votre travail.

Position du corps et des mains (Fig. K1–K4)

AVERTISSEMENT : *pour réduire tout risque de dommages corporels graves, adopter SYSTÉMATIQUEMENT la position des mains illustrée.*

AVERTISSEMENT : *pour réduire tout risque de dommages corporels graves, maintenir SYSTÉMATIQUEMENT l'outil fermement pour anticiper toute réaction soudaine.*

Un positionnement adéquat de votre corps et de vos mains lors de l'utilisation de la scie à onglets rendra la coupe plus facile, plus précise et plus sûre. Ne jamais placer vos mains à proximité de la zone de coupe. Ne pas mettre les mains à moins de 100 mm (4 po) de la lame. Maintenir fermement la pièce en place contre la table et le guide pendant l'opération de coupe. Garder les mains en position jusqu'au relâchement de la détente et à l'arrêt complet de la lame. **TOUJOURS EFFECTUER DES ESSAIS À BLANC (SANS ALIMENTATION) AVANT DE RÉALISER VOS COUPES AFIN DE VÉRIFIER LA TRAJECTOIRE DE LA LAME. NE PAS CROISER LES BRAS, COMME ILLUSTRÉ EN FIGURE K3.**

Garder les pieds ancrés au sol afin de maintenir son équilibre. Au moment de déplacer le bras d'onglet vers la gauche ou la droite, le suivre et se tenir légèrement sur le côté de la lame de la scie. Observer au travers des persiennes du pare-main pour suivre un trait tiré au crayon.

Fig. K1

Fig. K2

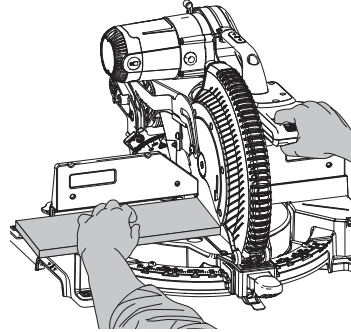
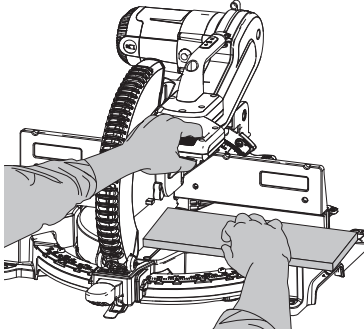
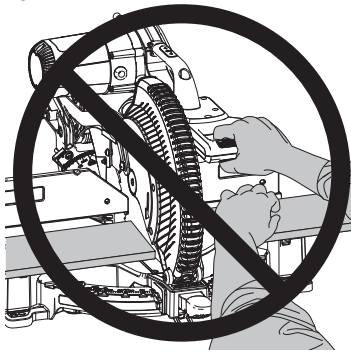
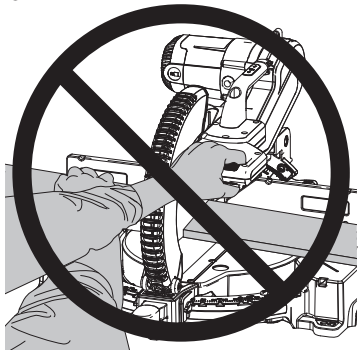


Fig. K3

Fig. K4

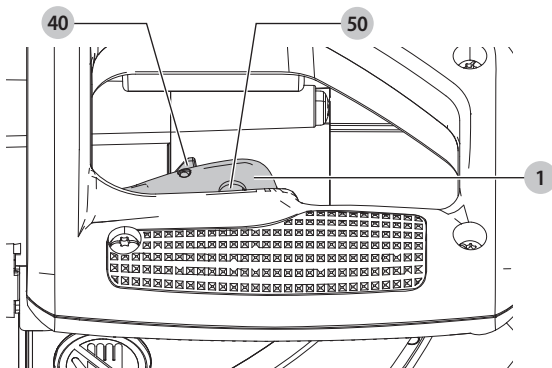


Gâchette (Fig. L)

Pour mettre la scie en marche, poussez le levier de verrouillage **40** vers la gauche, puis appuyez sur la gâchette **1**. La scie fonctionnera tant que l'interrupteur restera appuyé. Laissez la lame tourner à plein régime avant de commencer la découpe. Pour arrêter la scie, relâchez la gâchette. Attendez l'arrêt complet de la lame avant de relever la tête de scie. La gâchette ne peut être verrouillée en marche. Un trou **50** est prévu dans l'interrupteur pour y insérer un cadenas et verrouiller la scie à l'arrêt.

Assurez-vous systématiquement de l'arrêt complet de la lame avant de retirer de la plaque de trait.

Fig. L



Dépoussiérage (Fig. M)

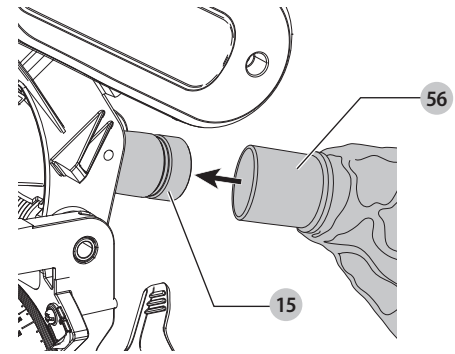
Votre scie est équipée d'une buse de dépoussiérage intégrée **15** qui permet la connexion soit du sac à poussière fourni ou d'un système d'aspirateur d'atelier.

REMARQUE : Cette scie a un capteur de poussière muni d'un raccord AirLock^{MC} qui est un système universel qui connecte les outils aux flasques du dépoussiérage afin de minimiser le nettoyage sur le chantier.

Pour connecter le sac à poussière

1. Ajustez le sac à poussière **56** sur la buse de dépoussiérage **15**, comme illustré en Figure M.

Fig. M



Opération de coupe part-en-part (Fig. A)

Si la fonction de glissement n'est pas utilisée, s'assurer que la tête de la scie est reculée aussi loin que possible et que la poignée de blocage de rail est serrée. Cela permettra d'éviter que la scie glisse le long de ses rails quand la pièce de travail est engagée.

REMARQUE : même si cette scie peut découper le bois et de nombreux matériaux non ferreux, nous limiterons les explications détaillées à la découpe du bois. Les mêmes directives s'appliquent aux autres matériaux. **NE COUPEZ PAS À L'AIDE DE CETTE SCIE DE MATÉRIAU FERREUX (FER ET ACIER) OU D'ÉLÉMENT DE MAÇONNERIE.** N'utilisez pas de lame abrasive.

REMARQUE : se reporter au paragraphe **Activation du pare-main et visibilité** sous la section **Assemblage et Ajustements** pour obtenir des informations importantes sur le pare-main inférieur avant la découpe.

Coupes transversales (Fig. A, N)

Une coupe transversale est une coupe de bois effectuée à travers du fil à n'importe quel angle. Une coupe transversale droite s'effectue avec le bras d'onglet en position zéro degré. Réglez et verrouillez le bras d'onglet à zéro, maintenez fermement le bois en place sur la table et contre le guide. Après avoir serré la poignée de blocage de rail, mettez la scie en marche en appuyant sur la détente **1** vers le bas comme illustré à la Figure A.

Lorsque la scie atteint son plein régime (en environ 1 seconde), baissez doucement et lentement le bras pour découper le bois. Laissez la lame s'arrêter complètement avant de relever le bras.

Lors de la découpe de toute pièce plus grande que 51 x 203 mm (2 x 8 po [ou 51 x 152 mm (2 x 6)]) avec un onglet à 45°, utilisez un mouvement extérieur-bas-retour après avoir desserré la poignée de blocage de rail. Tirez la scie vers vous, abaissez la tête de scie vers la pièce et repoussez lentement la scie pour terminer la coupe. Ne laissez pas la scie entrer en contact avec le sommet de la pièce lorsque vous tirez dessus. La scie pourrait se déplacer rapidement vers vous et pourrait entraîner une blessure corporelle ou endommager votre pièce.

La découpe de plusieurs pièces n'est pas recommandée mais elle peut être effectuée en toute sécurité en s'assurant que chaque pièce est maintenue fermement en place contre la table et le guide.

REMARQUE : afin d'augmenter la capacité de coupe transversale avec des coups de scie réduits, la lame du DWS779 s'étend plus profondément dans la table. Il s'ensuit que la force de levage exercée sur la pièce durant la coupe peut être plus importante.

⚠ ATTENTION : utilisez systématiquement une bride de fixation pour maintenir le contrôle de la pièce à travailler et réduire les risques de dommages matériels et corporels, si vos mains doivent se trouver dans 100 mm (4 po) de la lame pendant la découpe.

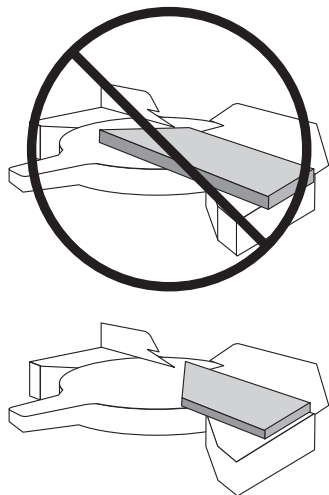
REMARQUE : la poignée de blocage de rail **29** illustrée à la Figure A doit être desserrée pour permettre à la scie de glisser le long de ses rails **23**.

Les coupes transversales d'onglet sont effectuées avec le bras d'onglet réglé sur un angle autre que zéro. Cet angle est souvent à 45° pour faire des coins, mais il peut être ajusté différemment entre zéro et 50° à gauche ou 60° à droite. Effectuez la coupe comme décrit ci-dessus.

Si vous effectuez une coupe à onglet sur une pièce d'une largeur supérieure à 2 x 6, mais de longueur inférieure, placez systématiquement le côté le plus long le long du guide **10** (Fig. N).

Pour couper une pièce en suivant une ligne au crayon, essayer de faire correspondre le plus possible l'angle. Couper d'abord la pièce un peu plus longue puis mesurer de la ligne au crayon au bord coupé pour déterminer la direction de réglage de l'angle d'onglet puis couper de nouveau. Il faut un peu de pratique mais cette technique demeure toutefois très utilisée.

Fig. N



Coupes en biseau

Une coupe en biseau est une coupe transversale effectuée alors que la lame de scie forme un angle avec le bois. Pour régler le biseau, desserrez le verrouillage de biseau **11**, et déplacez la scie sur la droite ou sur la gauche comme désiré (déplacez le guide pour laisser un espace suffisant le cas échéant). Une fois l'angle de biseau désiré ajusté, resserrez fermement le verrouillage de biseau. Reportez-vous à la section **Commandes** pour des instructions détaillées quant au dispositif à biseau.

Les angles de biseau peuvent être définis entre 49° à droite et 49° à gauche et peuvent être coupés avec l'arbre à ongles positionné entre 50° à gauche et 60° à droite. Dans le cas de certains angles extrêmes, il est possible de devoir retirer le guide de gauche ou de droite. Pour retirer le guide droit ou gauche, dévissez la poignée de réglage de guide **14** de plusieurs tours puis enlevez-le.

REMARQUE : se reporter au paragraphe **Ajustement du guide** sous la section **Assemblage et Ajustements** pour des informations importantes quant au réglage des guides pour certaines coupes en biseau.

Qualité de coupe

La qualité de toute coupe dépend de plusieurs variables. Des paramètres tels que le matériau coupé, le type de lame, la dureté de la lame et la vitesse de coupe contribuent tous à la qualité de coupe.

Lorsque des coupes plus régulières sont souhaitées, notamment dans le cas de moulures ou d'autres travaux de précision, une lame aiguisée (60 dents en carbure) et une vitesse de coupe plus faible et plus régulière produiront le résultat souhaité.

S'assurer que le matériau ne bougera ou ne glissera pas pendant la découpe; l'arrimer soigneusement en place. Attendre systématiquement l'arrêt complet de la lame avant de soulever le bras de scie.

Si de petites fibres de bois sont toujours projetées à l'arrière de la pièce, placez un morceau de ruban adhésif de carrossier sur le bois à l'endroit où la coupe sera effectuée. Sciez à travers le ruban adhésif et retirez-le soigneusement lorsque vous avez terminé.

Pour différentes applications de coupe, consultez la liste de lames de scie recommandées pour votre outil et sélectionnez celle qui s'adapte le mieux à vos besoins. Consulter **Lames de scie** sous **Accessoires**.

Rainurage et refeuillement (non part-en-part)

Les instructions dans les sections **Coupes transversales**, **Coupes en biseau** et **Découpe à onglet mixte** sont pour des coupes faites de part-en-part du matériel. Le banc de scie peut également réaliser des coupes non part-en-part pour former des rainures ou le refeuillement du matériau.

Coupe de rainure (Fig. A)

Consultez **Butée de profondeur** pour des instructions détaillées pour le réglage de la coupe. Un morceau de bois doit être utilisé pour vérifier la profondeur désirée de la coupe.

Maintenez solidement le bois sur la table et contre le guide **10**. Alignez la zone de la coupe sous la lame. Placez le bras de la scie entièrement vers l'avant avec la lame en position basse. Mettez la scie en marche en appuyant sur la gâchette **1** comme illustré dans la Figure A. Poussez doucement le bras de la scie vers l'arrière pour couper une rainure dans la pièce de travail. Relâchez la gâchette avec le bras de la scie abaissé. Lorsque la scie est complètement arrêtée, levez le bras de la scie. Laissez toujours la lame s'arrêter complètement avant de lever le bras. Pour élargir la rainure, répétez les étapes 1 à 4 jusqu'à ce que vous obteniez la largeur désirée.

Fixation de la pièce (Fig. A)

AVERTISSEMENT : pour réduire le risque de blessures, éteindre l'appareil et le débrancher avant d'installer ou de retirer tout accessoire et avant d'effectuer des réglages ou des réparations. Un démarrage accidentel peut provoquer des blessures.

AVERTISSEMENT : Une pièce de travail qui est bloquée, équilibrée et fixée avant d'être coupée peut devenir déséquilibrée après la coupe. Une charge déséquilibrée risque de faire basculer la scie ou toute chose à laquelle la scie est fixée, comme une table ou un établi.

Au moment de couper une pièce qui risque d'être déséquilibrée, s'assurer qu'elle est bien soutenue et que la scie est bien boulonnée à une surface stable. Sinon, il y aurait risque de blessures corporelles.

AVERTISSEMENT : Chaque fois qu'un presseur est utilisé, le pied du presseur doit demeurer solidement fixé au-dessus de la base de la scie. Toujours bloquer la pièce à la base de la scie et non à une autre partie de la zone de travail. S'assurer que le pied du presseur n'est pas fixé sur le bord de la base de la scie.

ATTENTION : Utilisez toujours un pinceur de travail pour conserver la maîtrise de la pièce et réduire le risque de dommages à votre pièce et de blessure corporelle.

Si la pièce ne peut être maintenue manuellement sur la table et contre le guide (à cause d'une forme irrégulière ou d'une autre raison) ou que la main se trouve à moins de 100 mm (4 po) de la lame, il faut utiliser un serre-joint ou une autre fixation.

Pour les meilleurs résultats, utilisez le serre-joint vertical du matériau **21** fourni avec votre scie. Des serre-joints DW7082 supplémentaires peuvent être achetés chez votre détaillant local ou un centre de services DEWALT.

D'autres accessoires tels que des pinces à ressort, serres à barre ou serre-joint en C peuvent convenir à certaines tailles et formes de matériaux. Être attentif lors de la sélection et de la pose de ces serres-joints. Prendre le temps d'effectuer un essai à blanc avant d'entamer la coupe. Les guides de gauche et de droite coulisent d'un côté à l'autre pour faciliter l'opération de serrage.

Installation de la bride (Fig. A)

1. L'insérer dans le trou situé derrière le guide **10**. La bride doit être face à l'arrière de la scie à ongles. La rainure logée dans la tige de la bride doit être bien insérée dans la base. S'assurer que cette rainure est bien insérée dans la base de la scie à ongles. Si la rainure est visible, cela signifie que la bride est mal fixée.
2. Tourner la bride de 180° vers l'avant de la scie à ongles.
3. Desserrer la poignée pour monter ou descendre la bride, puis utiliser le bouton de réglage fin pour serrer fermement la pièce.

REMARQUE : Placer la bride du côté opposé à la base pour le biseautage. TOUJOURS EFFECTUER DES MARCHES À SEC (SANS ALIMENTATION) AVANT DE RÉALISER VOS COUPES AFIN DE VÉRIFIER LA TRAJECTOIRE DE LA LAME. S'ASSURER QUE LA BRIDE N'OBSTRUE PAS LE MOUVEMENT DE LA SCIE OU DES DISPOSITIFS DE PROTECTION.

Soutien des pièces longues

AVERTISSEMENT : pour réduire tout risque de dommages corporels, éteindre l'outil et le débrancher avant de le déplacer, de changer les accessoires ou de réaliser des réglages.

TOUJOURS SOUTENIR LES PIÈCES LONGUES.

Ne jamais utiliser une personne à la place d'une rallonge de table, comme soutien supplémentaire, pour une pièce dont la longueur ou la largeur dépasse le banc de scie de base ou pour aider à alimenter, soutenir la pièce ou pour la tirer.

Pour des résultats optimaux, utilisez un support d'ouvrage télescopique DW7080 pour allonger la largeur de table de votre scie (vendu séparément chez votre détaillant).

Soutenir les longues pièces à l'aide de tout moyen commode, par exemple un chevalet de sciage ou un appareil similaire, afin d'empêcher les extrémités de tomber.

Découpe de cadres, de coffrages et d'autres objets à quatre faces (Fig. O, P)

Pour mieux comprendre comment façonner les éléments mentionnés ici, nous vous suggérons de commencer par des projets simples en utilisant des chutes de bois jusqu'à ce que vous soyez bien familiarisé avec votre outil.

Votre scie est l'outil parfait pour réaliser des coins à l'onglet comme celui illustré à la Figure O. Le diagramme 1 de la Figure P illustre un assemblage réalisé à l'aide du réglage de biseau pour biseauter les arêtes des deux planches à 45° chacune afin de produire un coin à 90°. Pour réaliser cet assemblage, le bras d'onglet était bloqué à la position zéro et le réglage de biseau était bloqué à 45°. Le morceau de bois était positionné avec le large côté plat contre la table et l'arête étroite contre le guide. Il aurait également été possible de découper à l'onglet à droite et à gauche en maintenant la surface large contre le guide.

Fig. O

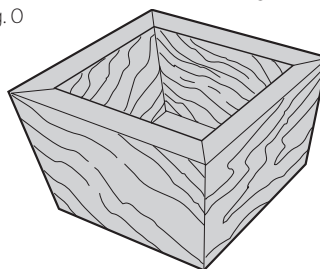
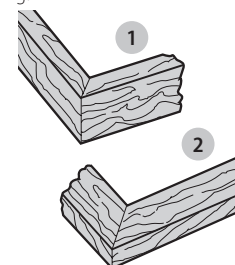


Fig. P



Découpe de moulures de garnissage et d'autres cadres (Fig. P)

Le diagramme 2 de la Figure P illustre un assemblage réalisé en réglant le bras d'onglet à 45° pour couper à l'onglet les deux planches afin de former un coin à 90°. Pour réaliser ce type d'assemblage, réglez le biseau sur zéro et le bras d'onglet sur 45°. Le morceau de bois était à nouveau positionné avec le large côté plat contre la table et l'arête étroite contre le guide.

Les deux diagrammes de la Figure P correspondent à des objets à quatre côtés. Lorsque le nombre de côtés change, les angles d'onglet et de biseau changent aussi. Le tableau ci-dessous indique les angles adéquats pour diverses formes.

- EXEMPLES -

NOMBRE DE CÔTÉS	ANGLE D'ONGLET OU DE BISEAU
4	45°
5	36°
6	30°
7	25,7°
8	22,5°
9	20°
10	18°

Le tableau suppose que tous les côtés sont de même longueur. Pour réaliser une forme qui n'apparaît pas dans le tableau, utilisez la formule suivante : 180° divisé par le nombre de côté donne l'angle d'onglet (si le matériau est coupé verticalement) ou de biseau (s'il est coupé à plat).

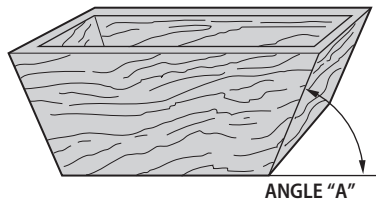
Découpe à onglet mixte (Fig. Q)

Une coupe à onglet mixte est réalisée en utilisant simultanément un angle d'onglet et un angle de biseau. C'est le type de coupe utilisé pour fabriquer des cadres ou des boîtes dont les côtés sont inclinés, comme illustré dans la Figure Q.

REMARQUE : si l'angle de coupe varie d'une coupe à l'autre, vérifiez que la molette de verrouillage de biseau et la poignée de blocage d'onglet sont bien verrouillées. Elles doivent être reverrouillées après tout changement d'onglet ou de biseau.

Le tableau en fin de manuel (Tableau 1) vous aidera à sélectionner les paramètres corrects de biseau ou d'onglet pour les coupes d'onglet mixtes courantes. Pour utiliser le tableau, sélectionnez l'angle A souhaité (Fig. Q) pour votre projet et recherchez cet angle sur l'arc adéquat du tableau. Tracez un trait vertical à partir de ce point pour lire l'angle de biseau adéquat et un trait horizontal pour lire l'angle d'onglet adéquat.

Fig. Q



Réglez votre scie sur les angles prescrits et effectuez quelques coupes d'essai. Entraînez-vous à assembler les pièces coupées jusqu'à maîtriser cette procédure.

Exemple : pour fabriquer une boîte à quatre côtés avec des angles extérieurs à 26° (Angle A, Figure R), utilisez l'arc supérieur droit. Trouvez la valeur 26° sur l'échelle de l'arc. Suivez la ligne horizontale intersectante jusqu'à l'un des deux axes pour obtenir le réglage de l'angle d'onglet pour votre scie (42°). Suivez de même la ligne verticale intersectante vers le bas ou vers le haut pour obtenir le réglage de l'angle de biseau pour la scie (18°). Essayez toujours les coupes sur des chutes de bois afin de vérifier les réglages de la scie.

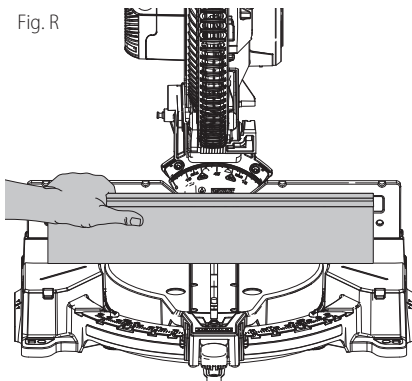
Découpe de moulures d'embase (Fig. R)

TOUJOURS EFFECTUER UN ESSAI À BLANC SANS ALIMENTATION AVANT D'ENTAMER TOUTE COUPE.

Coupes droites à 90° :

Placer le bois contre le guide et le maintenir en place comme il est illustré à la Figure R. Mettre la scie en marche, laisser la lame atteindre son plein régime et abaisser doucement le bras dans la coupe.

Fig. R



Coupe de moulures d'embase d'une épaisseur maximale de 171 mm (6,75 po) à la verticale, contre le guide (Fig. R)

Placer le matériau comme il est illustré à la Figure R.

Toutes les coupes doivent être réalisées de manière à ce que l'arrière de la moulure soit contre le guide et la base de la moulure contre la base.

	Coin intérieur	Coin extérieur
Côté gauche	1. Onglet gauche à 45° 2. Conservez le côté gauche de la coupe	1. Onglet droit à 45° 2. Conservez le côté gauche de la coupe
Côté droit	1. Onglet droit à 45° 2. Conservez le côté droit de la coupe	1. Onglet gauche à 45° 2. Conservez le côté droit de la coupe

Tout matériau d'une épaisseur maximale de 165 mm (6,5 po) peut être coupé comme il est indiqué ci-dessus.

Découpe de moulure couronnée

La scie à onglets est mieux adaptée à la tâche de découpe de moulures couronnées qu'aucun autre outil. Afin de s'ajuster correctement, les moulures couronnées doivent être découpées à onglets mixtes avec une précision extrême.

Les deux surfaces plates d'un morceau de moulure couronnée donnent à des angles dont la somme est exactement de 90° . La majorité, mais non la totalité, des moulures couronnées ont un angle arrière supérieur (la section qui s'adapte à plat contre le plafond) de 52° et un angle arrière inférieur (la partie qui s'adapte à plat contre le mur) de 38° .

La scie à onglets comporte des points de loquet d'onglet prédéfinis à $31,6^\circ$ à gauche et à droite pour découper des moulures couronnées à l'angle adéquat. L'échelle de biseau comprend aussi un repère à $33,9^\circ$.

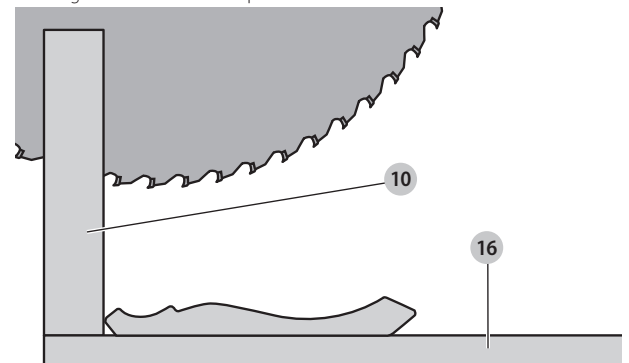
Le tableau suivante indique les paramètres appropriés pour la découpe de moulures couronnées. (Les chiffres donnés pour les réglages de l'onglet et du biseau sont très précis et ne sont pas faciles à régler précisément sur la scie). Comme les angles de la plupart de pièces ne sont pas exactement de 90° , il vous faudra dans tous les cas ajuster vos réglages.

IL EST EXTRÊMEMENT IMPORTANT D'EFFECTUER DES TESTS PRÉLIMINAIRES SUR DES CHUTES DE MOULURE !

Directives pour la coupe de moulures couronnées reposant à plat et l'utilisation des fonctions mixtes (Fig. A, S)

1. Moulure dont la large surface arrière est à plat sur la table à scier **16**.

Fig. S



2. Partie supérieure de la moulure contre le guide **10**.

3. Les réglages ci-dessous s'appliquent aux moulures couronnées standard (É-U) avec des angles de 52° et 38° .

	Coin Intérieur	Coin Extérieur
Côté gauche	1. Biseau gauche à $33,9^\circ$ 2. Table d'onglet réglée à droite à $31,62^\circ$ 3. Conservez le côté gauche de la coupe	1. Biseau droit à $33,9^\circ$ 2. Table d'onglet réglée à gauche à $31,62^\circ$ 3. Conservez le côté gauche de la coupe
Côté droit	1. Biseau droit à $33,9^\circ$ 2. Table d'onglet réglée à gauche à $31,62^\circ$ 3. Conservez le côté droit de la coupe	1. Biseau gauche à $33,9^\circ$ 2. Table d'onglet réglée à droite à $31,62^\circ$ 3. Conservez le côté droite de la coupe

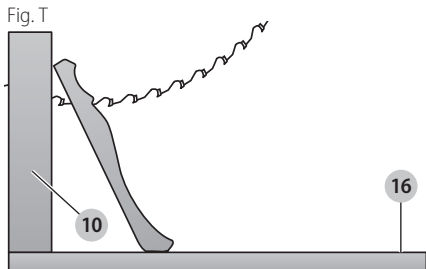
Lors du réglage d'onglet et de biseau pour tous les onglets mixtes, ne pas oublier que : les angles présentés pour les moulures couronnées sont très précis et difficiles à régler de manière exacte. Puisqu'ils peuvent facilement se décaler légèrement et que très peu de pièces présentent des angles exactement droits, tous les réglages doivent être testés auparavant sur des chutes de moulures.

L EST EXTRÊMEMENT IMPORTANT D'EFFECTUER DES TESTS PRÉLIMINAIRES SUR DES CHUTES DE MOULURE !

Méthode alternative de découpe de moules couronnées (Fig. T)

Mettre la mouleure sur la table, selon un angle donné entre le guide **10** et la table de scie **16**, comme le montre la Figure T. Nous recommandons vivement l'utilisation de l'accessoire (DW7084) de guide pour mouleure couronnée en raison de son degré de précision et de sa commodité. Cet accessoire est disponible auprès du distributeur de votre région.

Avec cette méthode de découpe de mouleure couronnée, aucune coupe biseautée n'est requise. Des modifications minimales peuvent être apportées à l'angle d'onglets sans modifier l'angle de biseau. Ainsi, en cas de coins autres qu'à 90°, il est possible de régler rapidement et facilement la scie en conséquence. Utiliser l'accessoire de guide pour moules couronnées afin de conserver l'angle que formera la mouleure avec le mur.



Directives pour la découpe de moules couronnées mises en angle entre le guide et la base de la scie pour toutes les coupes

1. Faire pivoter la mouleure de sorte que sa partie inférieure (celle qui sera adossée au mur lors de l'installation) se trouve contre le guide et que sa partie supérieure repose sur la base de la scie, comme il est illustré à la Figure T.
2. Les parties plates formant un angle à l'arrière de la mouleure doivent bien reposer sur le guide et la base de la scie.

	Coin intérieur	Coin extérieur
Côté gauche	1. Onglet droit à 45° 2. Conserver le côté droit de la coupe	1. Onglet gauche à 45° 2. Conserver le côté droit de la coupe
Côté droit	1. Onglet gauche à 45° 2. Conserver le côté gauche de la coupe	1. Onglet droit à 45° 2. Conserver le côté gauche de la coupe

Découpes spéciales

NE JAMAIS EFFECTUER DE DÉCOUPE SI LE MATÉRIAU N'EST PAS MAINTENU EN PLACE SUR LA TABLE ET CONTRE LE GUIDE.

Découpe d'aluminium (Fig. A, U, V)

TOUJOURS UTILISER DES LAMES DE SCIE APPROPRIÉES SPÉCIALEMENT CONÇUES POUR LA DÉCOUPE D'ALUMINIUM. Elles sont disponibles auprès du détaillant DEWALT de votre région ou d'un centre de réparation DEWALT. À cause de leur taille, de leur forme ou de l'aspect de leur surface, certaines pièces peuvent nécessiter l'utilisation de pinces ou de fixations pour éviter tout mouvement durant la découpe. Positionner le matériel de telle sorte que la section transversale la plus fine sera coupée, tel qu'il est illustré à la Figure U. La Figure V illustre la mauvaise manière de couper ces extrusions. Utiliser un lubrifiant de coupe en cire, en bâton, pour la coupe d'aluminium. Appliquer directement le lubrifiant de coupe en cire en bâton sur la lame de scie **39** avant d'entamer l'opération de coupe. Ne jamais appliquer de cire en bâton sur une lame en mouvement.

La cire est disponible auprès de la majorité des quincailleries et des magasins de fourniture en minoteries; elle apporte une lubrification adaptée et empêche les copeaux d'adhérer à la lame. Veillez à bien fixer la pièce.

Fig. U

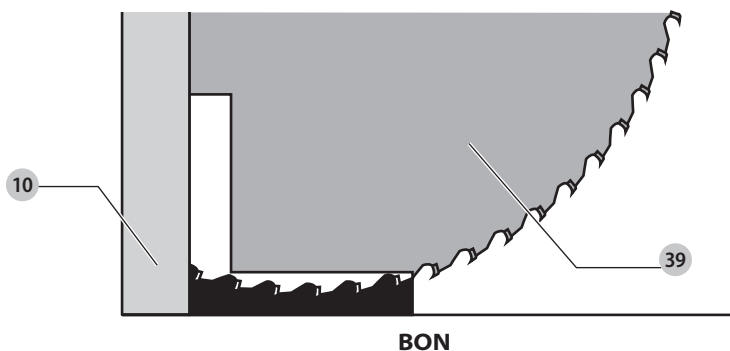
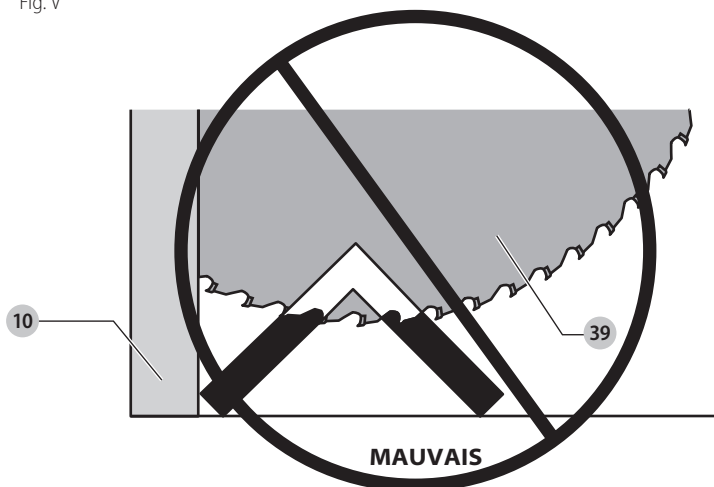


Fig. V



Consulter **Lames de Scie** sous **Accessoires Facultatifs** pour connaître les lames de scie appropriées.

Matériau arqué (Fig. W, X)

Pour la coupe de matériau arqué, toujours le positionner comme le montre la Figure W et non comme le montre la Figure X. Le fait de mal positionner le matériau entraînera le pincement de la lame près de la fin de la coupe.

Fig. W

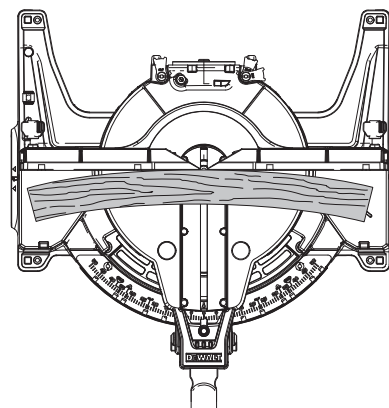
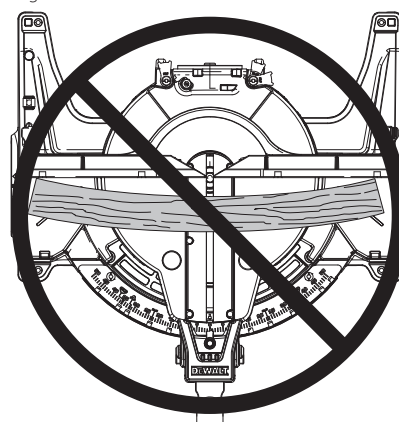


Fig. X



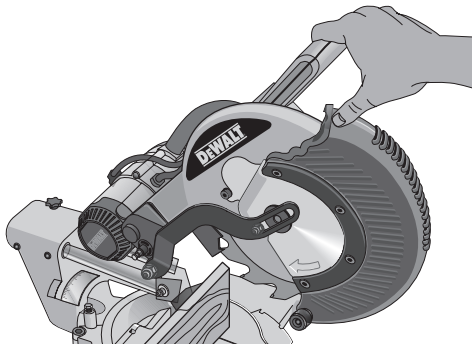
Découpe de tuyau en plastique ou d'autre matériau rond

Il est facile de couper des tuyaux en plastique avec la scie. Il faut les couper exactement de la même manière que du bois et **LES SERRER OU LES MAINTENIR FERMEMENT CONTRE LE GUIDE POUR LES EMPÊCHER DE ROULER**. Cela est extrêmement important lors de découpes en angle.

Découpe de grands matériaux (Fig. Y)

Occasionnellement, vous rencontrerez une pièce de bois un peu trop grande pour rentrer sous le pare-main inférieur. Si cela se produit, placez simplement votre pouce droit sur la partie supérieure du pare-main, puis remontez le pare-main juste assez pour libérer la pièce comme le montre la Figure Y. Évitez de procéder ainsi autant que possible, mais s'il le faut, la scie fonctionnera bien et réalisera une plus grosse coupe. **NE JAMAIS ATTACHER, COLLER NI FIXER LE PARE-MAIN DE MANIÈRE À LE MAINTENIR OUVERT DURANT L'UTILISATION DE CETTE SCIE.**

Fig. Y



MAINTENANCE

AVERTISSEMENT : pour réduire le risque de blessures graves, éteindre l'outil et retirer le débrancher avant d'effectuer tout réglage et d'enlever ou d'installer tout accessoire. Un démarrage accidentel peut provoquer des blessures.

AVERTISSEMENT : pour réduire le risque de blessures corporelles graves, NE PAS toucher les pointes tranchantes de la lame avec les doigts ou les mains au moment d'effectuer l'entretien.

N'employez PAS les lubrifiants ou les décapants (en particulier jet ou aérosol) à proximité de la garde de plastique. La matière de polycarbonate employée dans la garde est sujette à l'attaque par certains produits chimiques.

1. Tous les roulements sont scellés. Ils sont lubrifiés à vie et n'ont besoin d'aucun entretien supplémentaire.
2. Retirer régulièrement toute la poussière et tous les copeaux de bois situés autour ET SOUS la base et la table rotative. Même si des emplacements sont prévus pour permettre l'évacuation de débris, de la poussière s'accumule.
3. Les brosses sont conçues pour durer plusieurs années. Si elles ont besoin d'être remplacées, retournez l'outil au centre de service le plus proche pour réparation. Une liste des centres de réparation est livrée avec l'outil.

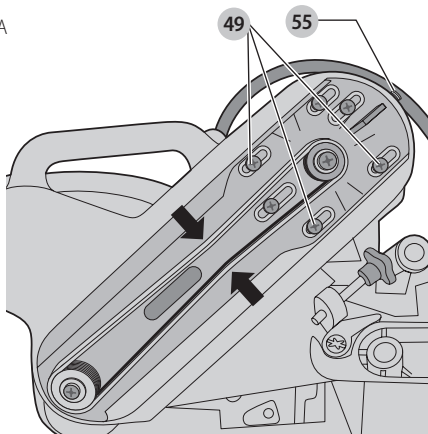
Dépose et remplacement de la courroie (Fig. Z)

La courroie est conçue pour durer pendant toute la vie de l'outil. Une mauvaise utilisation de l'outil pourrait cependant entraîner une défaillance de courroie.

Si la lame ne tourne pas alors que le moteur fonctionne, la courroie est en panne. Pour inspecter ou remplacer la courroie, retirez les vis du couvercle 49 de la courroie. Retirez le couvercle de la courroie 55. Inspectez les nervures de la courroie en recherchant des signes d'usure ou de panne. Vérifiez la tension de la courroie en serrant comme illustré à la Figure Z. Les moitiés de la courroie devraient presque se toucher si vous les serrez fermement entre le pouce et l'index. Pour ajuster la tension, desserrez, sans les retirer, les quatre vis en croix illustrées. Faites ensuite pivoter la vis de calage située au sommet du moulage de la plaque du moteur jusqu'à atteindre la tension adéquate. Revissez bien les quatre vis et remplacez le couvercle de la courroie.

AVIS : un serrage trop important de la courroie pourrait entraîner une panne de moteur prématurée.

Fig. AA



Nettoyage

AVERTISSEMENT : enlever les saletés et la poussière hors des événements au moyen d'air comprimé propre et sec, au moins une fois par semaine. Pour minimiser le risque de blessure aux yeux, toujours porter une protection oculaire conforme à la norme ANSI Z87.1 lors du nettoyage.

AVERTISSEMENT : ne jamais utiliser de solvants ni d'autres produits chimiques puissants pour nettoyer les pièces non métalliques de l'outil. Ces produits chimiques peuvent affaiblir les matériaux de plastique utilisés dans ces pièces. Utiliser un chiffon humecté uniquement d'eau et de savon doux. Ne jamais laisser de liquide pénétrer dans l'outil et n'immerger aucune partie de l'outil dans un liquide.

Entretien de la conduite à poussière

Suivant l'environnement de coupe, la sciure pourrait boucher la conduite à poussière empêchant ainsi l'élimination correcte de la zone de coupe de la poussière. Alors que la scie est débranchée du secteur et sa tête complètement relevée, utilisez de l'air comprimé, faible intensité, ou une tige de large diamètre pour déboucher la conduite à poussière.

Accessoires

AVERTISSEMENT : puisque les accessoires autres que ceux offerts par DEWALT n'ont pas été testés avec ce produit, leur utilisation pourrait s'avérer dangereuse. Pour réduire le risque de blessures, utiliser exclusivement les accessoires DEWALT recommandés avec le présent produit.

Les accessoires recommandés pour cet outil sont vendus séparément au centre de service de votre région. Pour obtenir de l'aide concernant l'achat d'un accessoire, communiquer avec DEWALT Industrial Tool Co., 701 East Joppa Road, Towson, MD 21286 aux États-Unis; composer le 1 800 433-9258 (1 800 4-DEWALT) ou visiter notre site Web : www.dewalt.com.

Accessoires facultatifs

Les accessoires suivants, conçus pour votre scie, peuvent vous être utiles. Sélectionner et utiliser les accessoires avec soin.

Support d'ouvrage télescopique : DW7080

Il est utilisé pour soutenir de longues pièces qui dépassent. Le support d'ouvrage est assemblé par l'utilisateur. La base de la scie a été conçue pour recevoir deux supports d'ouvrage, un de chaque côté.

Butée réglable : DW7051

Nécessite l'utilisation d'un support d'ouvrage (DW7080). Elle sert à effectuer des découpes répétitives de même longueur (comprise entre 0 et 107 cm [42 po]).

Bride de fixation : DW7082

Sert à fixer fermement la pièce sur la table à scier pour une découpe de précision.

Sac à poussière : DW7053

Équipé d'une fermeture à glissière pour un vidage facile, le sac à poussière capture la plus grande partie de la sciure produite.

Guide de moules couronnées : DW7084

Sert pour la découpe de précision de moules couronnées.

Lames de scie

TOUJOURS UTILISER DES LAMES DE SCIE DE 305 mm (12 po) AVEC DES TROUS D'AXE DE 25,4 mm (1 po). L'INDICE DE VITESSE DOIT ÊTRE AU MOINS DE 4800 tr/min. Ne jamais utiliser de lames de diamètre inférieur. Le protège-lame ne serait pas adéquat. Utiliser uniquement des lames à tronçonner! Ne pas utiliser de lames conçues pour un sciage rapide, des lames combinées ou des lames à crochets d'un angle supérieur à 7°.

DESCRIPTION DES LAMES		
APPLICATION	DIAMÈTRE	DENTS
Lames de scie de construction (trait de scie mince maximum avec jante anticollante)		
Polyvalente	305 mm (12 po)	32/40
Tronçonnage fin	305 mm (12 po)	60
Lames de scie pour travail du bois (fournissent des coupes propres et régulières)		
Tronçonnage fin	305 mm (12 po)	80
Métaux non ferreux	305 mm (12 po)	96
REMARQUE : pour couper des métaux non ferreux, utiliser des lames de scie à denture TCG (trapézoïdale) spécialement conçues à cet effet.		

Réparations

AVERTISSEMENT : pour assurer la SÉCURITÉ et la FIABILITÉ du produit, les réparations, l'entretien et les réglages doivent être réalisés (cela comprend l'inspection et le remplacement du balai, le cas échéant) par un centre de réparation en usine DEWALT ou un centre de réparation agréé DEWALT. Toujours utiliser des pièces de rechange identiques.

Registre en ligne

Merci pour votre achat. Enregistrez dès maintenant votre produit:

- **RÉPARATIONS SOUS GARANTIE:** cette carte remplie vous permettra de vous prévaloir du service de réparations sous garantie de façon plus efficace dans le cas d'un problème avec le produit.
- **CONFIRMATION DE PROPRIÉTÉ:** en cas de perte provoquée par un incendie, une inondation ou un vol, cette preuve de propriété vous servira de preuve auprès de votre compagnie d'assurances.
- **SÉCURITÉ:** l'enregistrement de votre produit nous permettra de communiquer avec vous dans l'éventualité peu probable de l'envoi d'un avis de sécurité régi par la loi fédérale américaine de la protection des consommateurs.

Registre en ligne à www.dewalt.com/register.

Garantie limitée de trois ans

DEWALT réparera, sans frais, tout produit défectueux causé par un défaut de matériel ou de fabrication pour une période de trois ans à compter de la date d'achat. La présente garantie ne couvre pas les pièces dont la défectuosité a été causée par une usure normale ou l'usage abusif de l'outil. Pour obtenir de plus amples renseignements sur les pièces ou les réparations couvertes par la présente garantie, visiter le site www.dewalt.com ou composer le 1 800 433-9258 (1 800 4-DEWALT). CETTE GARANTIE LIMITÉE REMPLACE TOUTE AUTRE GARANTIE, Y COMPRIS TOUTE GARANTIE IMPLICITE DE QUALITÉ MARCHANDE OU DE CONFORMITÉ À DES FINS PARTICULIÈRES, ET EXCLUT TOUT DOMMAGE ACCESSOIRE OU INDIRECT. Certains états n'autorisent aucune limitation quant à la durée d'une garantie implicite ni aucune exclusion ou limitation de garantie contre tout préjudice accessoire ou indirect, aussi il se peut que ces exclusions ne vous soient pas applicables. Cette garantie confère des droits légaux particuliers à l'acheteur, mais celui-ci pourrait aussi bénéficier d'autres droits variant d'un territoire à l'autre.

En plus de la présente garantie, les outils DEWALT sont couverts par notre :

CONTRAT D'ENTRETIEN GRATUIT D'UN AN

DEWALT entretiendra l'outil et remplacera les pièces usées au cours d'une utilisation normale et ce, gratuitement, pendant une période d'un an à compter de la date d'achat.

GARANTIE DE REMBOURSEMENT DE 90 JOURS

Si l'acheteur n'est pas entièrement satisfait, pour quelque raison que ce soit, du rendement de l'outil électrique, du laser ou de la cloueuse DEWALT, celui-ci peut le retourner, accompagné d'un reçu, dans les 90 jours à compter de la date d'achat pour obtenir un remboursement intégral, sans aucun problème.

AMÉRIQUE LATINE : cette garantie ne s'applique aux produits vendus en Amérique latine.

Pour ceux-ci, veuillez consulter les informations relatives à la garantie spécifique présente dans l'emballage, appeler l'entreprise locale ou consulter le site Web pour les informations relatives à cette garantie.

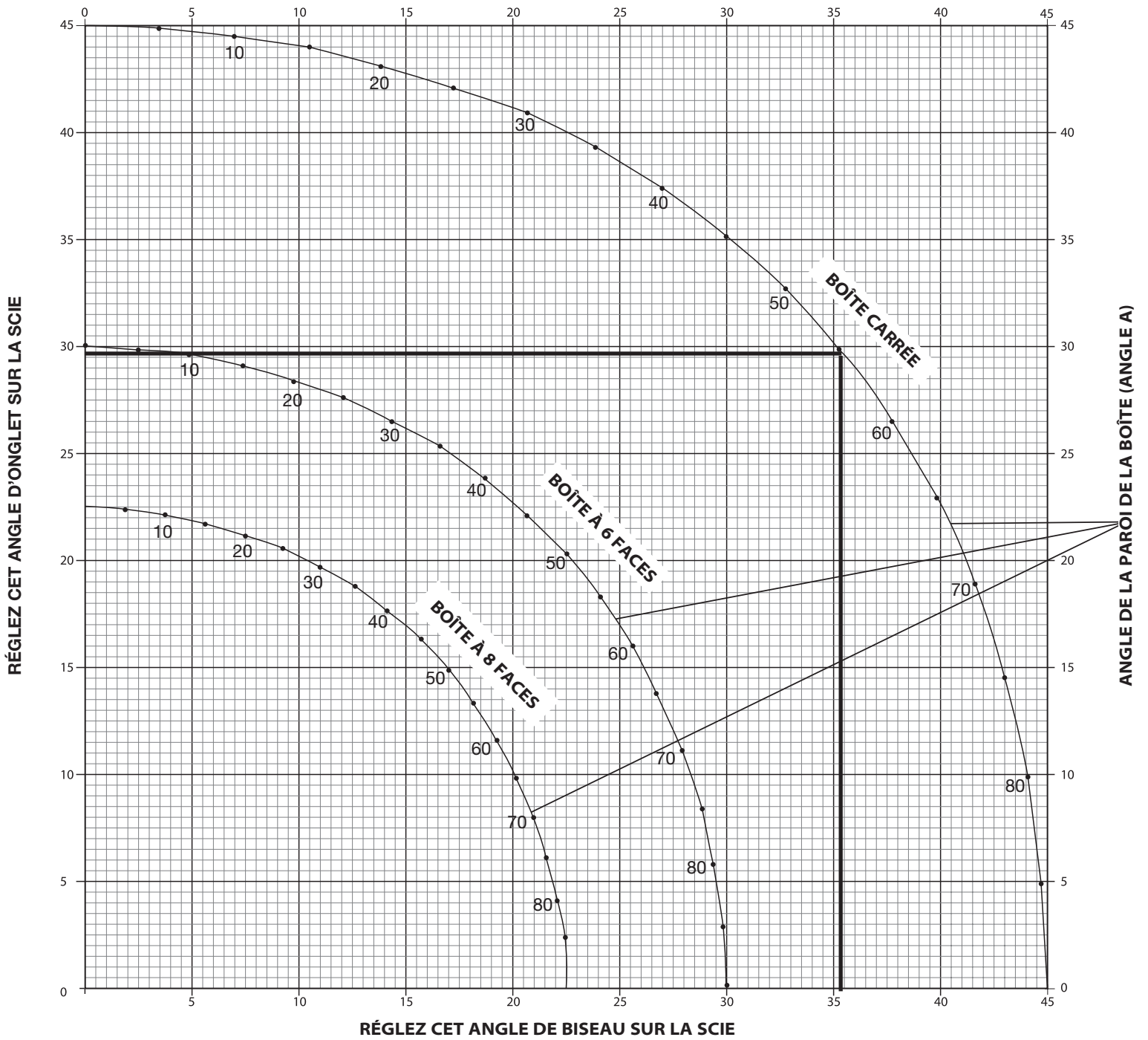
REMPLACEMENT GRATUIT DES ÉTIQUETTES D'AVERTISSEMENT : si les étiquettes d'avertissement deviennent illisibles ou sont manquantes, composer le 1 800 433-9258 (1 800 4-DEWALT) pour en obtenir le remplacement gratuit.

Guide de dépannage

VEILLEZ À SUIVRE LES RÈGLES ET CONSIGNES DE SÉCURITÉ

PROBLÈME!	QUEL EST LE PROBLÈME?	QUE FAIRE
La scie ne démarre pas	Scie non branchée	Branchez la scie.
	Fusible grillé ou disjoncteur déclenché	Remplacez le fusible ou réinitialisez le disjoncteur.
	Cordon endommagé	Faites remplacer le cordon par un centre de service agréé.
	Brosses usées	Faites remplacer les brosses par un centre de service agréé.
Les découpes effectuées par la scie ne sont pas satisfaisantes	Lame émoussée	Remplacez la lame. Consulter Changement ou pose d'une lame de scie neuve.
	Lame montée à l'envers	Renversez la lame. Consulter Changement ou pose d'une lame de scie neuve.
	Gomme ou résine sur la lame	Retirez la lame et nettoyez-la à l'aide de térébenthine et de laine d'acier grossière ou de produit domestique de nettoyage de four.
	Lame inadéquate pour le travail effectué	Changez de type de lame. Consulter Lames de scie sous Accessoires.
La lame n'atteint pas son plein régime	La rallonge est trop légère ou trop longue	Remplacez-la par une rallonge de taille adéquate. Consulter Règles de sécurité additionnelles relatives aux scies à onglet.
	Courant domestique trop bas	Contactez votre fournisseur d'électricité.
Lascie vibre démesurément	La scie n'est pas correctement fixée sur le tréteau ou l'établi	Vissez bien tout le matériel d'assemblage. Consulter Montage sur établi.
	Le tréteau ou l'établi est sur un sol irrégulier	Repositionnez-le sur une surface plane. Consulter Familiarisation.
	Lame de scie endommagée	Remplacez la lame. Consulter Changement ou pose d'une nouvelle lame de scie.
Lascie ne coupe pas bien les onglets	L'échelle d'onglet n'est pas correctement réglée	Vérifiez et ajustez. Consulter Réglage de l'échelle d'onglet sous Assemblage et ajustements.
	La lame n'est pas d'équerre par rapport au guide	Vérifiez et ajustez. Consulter Réglage de l'échelle d'onglet sous Assemblage et ajustements.
	La lame n'est pas perpendiculaire à la table	Vérifiez et ajustez le guide. Consulter Réglage du biseau en équerre avec la table sous Assemblage et ajustements.
	La pièce à découper se déplace	Fixez-la au guide ou collez du papier abrasif de calibre 120 sur le guide à l'aide de colle de caoutchouc
Le matériau pince la lame	Découpe de matériau arqué	Consulter Matériau arqué sous Découpes spéciales.

TABLEAU 1 : COUPE À ONGLET MIXTE
 (POSITIONNEZ LE MORCEAU DE BOIS AVEC LE LARGE CÔTÉ PLAT CONTRE LA TABLE ET L'ARÊTE ÉTROITE CONTRE LE GUIDE.)



Definiciones: Símbolos y palabras de alerta de seguridad

Este manual de instrucciones utiliza los siguientes símbolos y palabras de alerta de seguridad para alertarle de situaciones peligrosas y del riesgo de lesiones corporales o daños materiales.





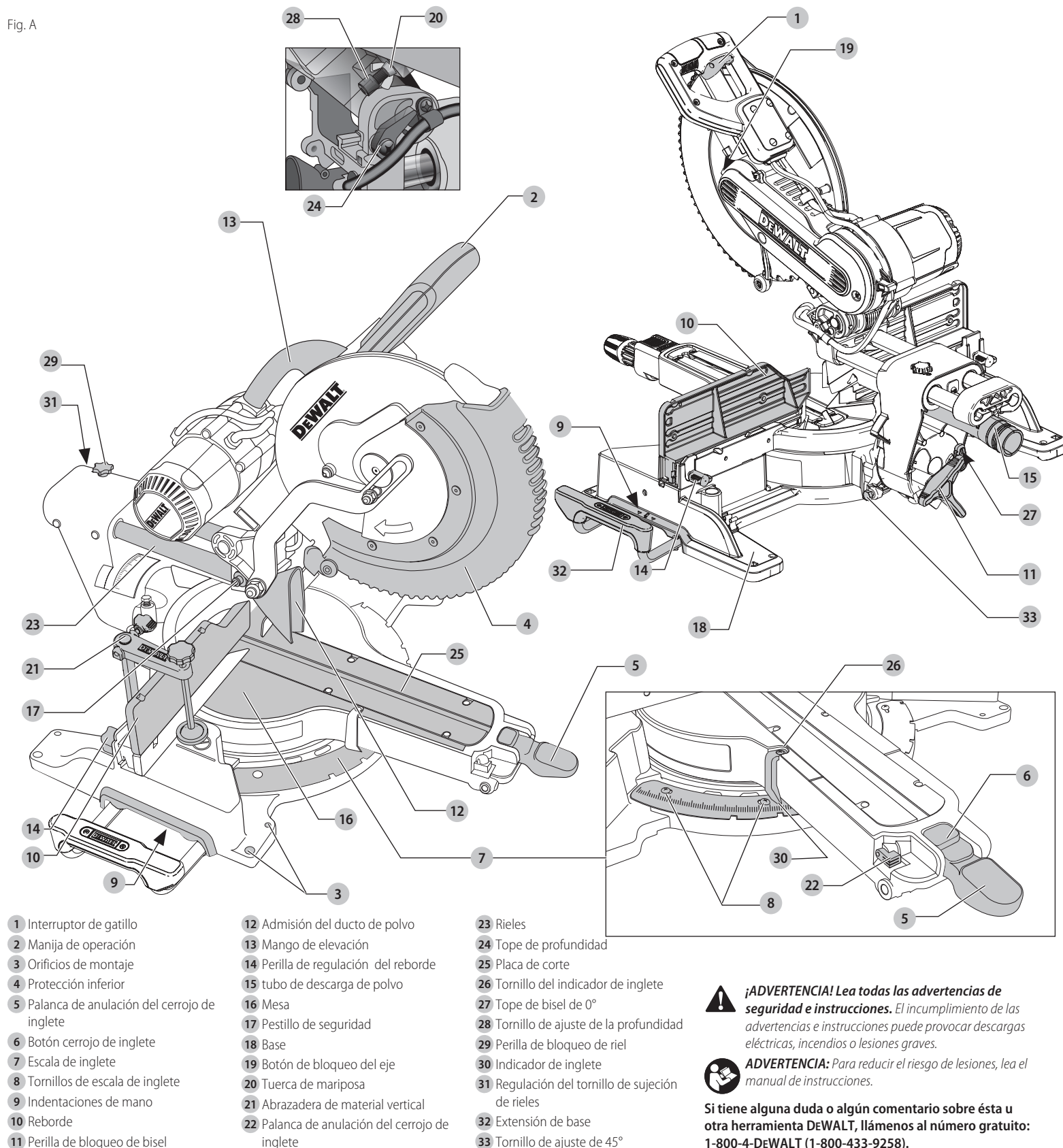


-  **PELIGRO:** Indica una situación de peligro inminente que, si no se evita, provocará **la muerte o lesiones graves**.
 -  **ADVERTENCIA:** Indica una situación de peligro potencial que, si no se evita, **podría provocar la muerte o lesiones graves**.
 -  **ATENCIÓN:** Indica una situación de peligro potencial que, si no se evita, **posiblemente provocaría lesiones leves o moderadas**.
 -  (Utilizado sin palabras) indica un mensaje de seguridad relacionado.
- AVISO:** Se refiere a una práctica **no relacionada a lesiones corporales** que de no evitarse **puede resultar en daños a la propiedad**.

Fig. A



- | | | |
|---|--|--|
| 1 Interruptor de gatillo | 12 Admisión del ducto de polvo | 23 Rieles |
| 2 Manija de operación | 13 Mango de elevación | 24 Tope de profundidad |
| 3 Orificios de montaje | 14 Perilla de regulación del reborde | 25 Placa de corte |
| 4 Protección inferior | 15 tubo de descarga de polvo | 26 Tornillo del indicador de inglete |
| 5 Palanca de anulación del cerrojo de inglete | 16 Mesa | 27 Tope de bisel de 0° |
| 6 Botón cerrojo de inglete | 17 Pestillo de seguridad | 28 Tornillo de ajuste de la profundidad |
| 7 Escala de inglete | 18 Base | 29 Perilla de bloqueo de riel |
| 8 Tornillos de escala de inglete | 19 Botón de bloqueo del eje | 30 Indicador de inglete |
| 9 Indentaciones de mano | 20 Tuerca de mariposa | 31 Regulación del tornillo de sujeción de rieles |
| 10 Reborde | 21 Abrazadera de material vertical | 32 Extensión de base |
| 11 Perilla de bloqueo de bisel | 22 Palanca de anulación del cerrojo de inglete | 33 Tornillo de ajuste de 45° |

 **¡ADVERTENCIA!** Lea todas las advertencias de seguridad e instrucciones. El incumplimiento de las advertencias e instrucciones puede provocar descargas eléctricas, incendios o lesiones graves.

 **ADVERTENCIA:** Para reducir el riesgo de lesiones, lea el manual de instrucciones.

Si tiene alguna duda o algún comentario sobre ésta u otra herramienta DEWALT, llámenos al número gratuito: 1-800-4-DEWALT (1-800-433-9258).

ADVERTENCIAS GENERALES DE SEGURIDAD PARA HERRAMIENTAS ELÉCTRICAS

! **ADVERTENCIA:** Lea todas las advertencias de seguridad, instrucciones, ilustraciones y especificaciones incluidas con esta herramienta eléctrica. La falla en seguir todas las instrucciones siguientes puede resultar en descarga eléctrica, incendio y/o lesiones serias.

CONSERVE TODAS LAS ADVERTENCIAS E INSTRUCCIONES PARA FUTURAS CONSULTAS

El término "herramienta eléctrica" incluido en las advertencias hace referencia a las herramientas eléctricas operadas con corriente (con cable eléctrico) o a las herramientas eléctricas operadas con baterías (inalámbricas).

1) Seguridad en el Área de Trabajo

- Mantenga el área de trabajo limpia y bien iluminada.** Las áreas abarrotadas y oscuras propician accidentes.
- No opere las herramientas eléctricas en atmósferas explosivas, como ambientes donde haya polvo, gases o líquidos inflamables.** Las herramientas eléctricas originan chispas que pueden encender el polvo o los vapores.
- Mantenga alejados a los niños y a los espectadores de la herramienta eléctrica en funcionamiento.** Las distracciones pueden provocar la pérdida de control.

2) Seguridad Eléctrica

- Los enchufes de la herramienta eléctrica deben adaptarse al tomacorriente. Nunca modifique el enchufe de ninguna manera. No utilice ningún enchufe adaptador con herramientas eléctricas con conexión a tierra.** Los enchufes no modificados y que se adaptan a los tomacorrientes reducirán el riesgo de descarga eléctrica.
- Evite el contacto corporal con superficies con descargas a tierra como, por ejemplo, tuberías, radiadores, cocinas eléctricas y refrigeradores.** Existe mayor riesgo de descarga eléctrica si su cuerpo está puesto a tierra.
- No exponga las herramientas eléctricas a la lluvia o a condiciones de humedad.** Si entra agua a una herramienta eléctrica, aumentará el riesgo de descarga eléctrica.
- No maltrate el cable. Nunca utilice el cable para transportar, tirar o desenchufar la herramienta eléctrica. Mantenga el cable alejado del calor, el aceite, los bordes filosos y las piezas móviles.** Los cables dañados o enredados aumentan el riesgo de descarga eléctrica.
- Al operar una herramienta eléctrica en el exterior, utilice un cable prolongador adecuado para tal uso.** Utilice un cable adecuado para uso en exteriores a fin de reducir el riesgo de descarga eléctrica.
- Si el uso de una herramienta eléctrica en un lugar húmedo es imposible de evitar, utilice un suministro protegido con un interruptor de circuito por falla a tierra (GFCI).** El uso de un GFCI reduce el riesgo de descargas eléctricas.

3) Seguridad Personal

- Permanezca alerta, controle lo que está haciendo y utilice el sentido común cuando emplee una herramienta eléctrica. No utilice una herramienta eléctrica si está cansado o bajo el efecto de drogas, alcohol o medicamentos.** Un momento de descuido mientras se opera una herramienta eléctrica puede provocar lesiones personales graves.
- Utilice equipos de protección personal. Siempre utilice protección para los ojos.** En las condiciones adecuadas, el uso de equipos de protección, como máscaras para polvo, calzado de seguridad antideslizante, cascos o protección auditiva, reducirá las lesiones personales.
- Evite el encendido por accidente. Asegúrese de que el interruptor esté en la posición de apagado antes de conectarlo a la fuente de energía o paquete de baterías, o antes de levantar o transportar la herramienta.** Transportar herramientas eléctricas con el dedo apoyado en el interruptor o enchufar herramientas eléctricas con el interruptor en la posición de encendido puede propiciar accidentes.
- Retire la clavija de ajuste o la llave de tuercas antes de encender la herramienta eléctrica.** Una llave de tuercas o una clavija de ajuste que quede conectada a una pieza giratoria de la herramienta eléctrica puede provocar lesiones personales.
- No se estire. Conserve el equilibrio y párese adecuadamente en todo momento.** Esto permite un mejor control de la herramienta eléctrica en situaciones inesperadas.
- Use la vestimenta adecuada. No use ropas holgadas ni joyas. Mantenga el cabello, la ropa y los guantes alejados de las piezas en movimiento.** Las ropas holgadas, las joyas o el cabello largo pueden quedar atrapados en las piezas en movimiento.
- Si se suministran dispositivos para la conexión de accesorios con fines de recolección y extracción de polvo, asegúrese de que estén conectados y que se utilicen correctamente.** El uso de dispositivos de recolección de polvo puede reducir los peligros relacionados con el polvo.
- No permita que la familiaridad obtenida a partir del uso frecuente de herramientas le permitan volverse descuidado e ignorar los principios de seguridad de la herramienta.** Una acción descuidada puede causar lesiones severas en una fracción de segundo.

4) Uso y Mantenimiento de la Herramienta Eléctrica

- No fuerce la herramienta eléctrica. Utilice la herramienta eléctrica correcta para el trabajo que realizará.** Si se la utiliza a la velocidad para la que fue diseñada, la herramienta eléctrica correcta permite trabajar mejor y de manera más segura.
- No utilice la herramienta eléctrica si no puede encenderla o apagarla con el interruptor.** Toda herramienta eléctrica que no pueda ser controlada mediante el interruptor es peligrosa y debe repararse.
- Desconecte el enchufe de la fuente de energía o el paquete de baterías de la herramienta eléctrica antes de realizar ajustes, cambiar accesorios o almacenar la herramienta eléctrica.** Estas medidas de seguridad preventivas reducen el riesgo de encender la herramienta eléctrica en forma accidental.
- Guarde la herramienta eléctrica que no esté en uso fuera del alcance de los niños y no permita que otras personas no familiarizadas con ella o con estas instrucciones operen la herramienta.** Las herramientas eléctricas son peligrosas si son operadas por usuarios no capacitados.
- Realice el mantenimiento de las herramientas eléctricas. Revise que no haya piezas en movimiento mal alineadas o trabadas, piezas rotas o cualquier otra situación que pueda afectar el funcionamiento de la herramienta eléctrica. Si encuentra daños, haga reparar la herramienta eléctrica antes de utilizarla.** Se producen muchos accidentes a causa de las herramientas eléctricas que carecen de un mantenimiento adecuado.
- Mantenga las herramientas de corte afiladas y limpias.** Las herramientas de corte con mantenimiento adecuado y con los bordes de corte afilados son menos propensas a trabarse y son más fáciles de controlar.
- Utilice la herramienta eléctrica, los accesorios y las brocas de la herramienta, etc. de acuerdo con estas instrucciones y teniendo en cuenta las condiciones de trabajo y el trabajo que debe realizarse.** El uso de la herramienta eléctrica para operaciones diferentes de aquéllas para las que fue diseñada podría originar una situación peligrosa. *tool for operations different from those intended could result in a hazardous situations.*
- Mantenga las manijas y superficies de sujeción secas, limpias y libres de aceite y grasa.** Las manijas y superficies de agarre resbaladizas no permiten el manejo y control seguros de la herramienta en situaciones inesperadas.

5) Mantenimiento






- Solicite a una persona calificada en reparaciones que realice el mantenimiento de su herramienta eléctrica y que sólo utilice piezas de repuesto idénticas.** Esto garantizará la seguridad de la herramienta eléctrica.

Instrucciones de Seguridad para las Sierras Ingleteadoras

- Las sierras ingleteadoras están diseñadas para cortar madera o productos parecidos a la madera, no pueden utilizarse con discos de corte abrasivos para cortar metales ferrosos como barras, pies derechos, etc.** El polvo abrasivo hace que se atasquen las piezas en movimiento como por ejemplo el protector inferior. Las chispas del corte abrasivo quemarán el protector inferior, el accesorio de inserción de la línea de corte y otras piezas de plástico.
- Use abrazaderas para sostener la pieza de trabajo siempre que sea posible. Si sostiene la pieza de trabajo a mano, siempre debe mantener su mano al menos a 100 mm (4") de cada lado de la hoja de la sierra. No utilice esta sierra para cortar trozos que sean demasiado pequeños para estar bien sujetos con abrazaderas o sostenidos con la mano.** Si coloca la mano demasiado cerca de la hoja de la sierra, hay mayor riesgo de lesiones por el contacto con la hoja.
- La pieza de trabajo tiene que estar estacionaria y sujeta con abrazaderas o sostenida contra la guía y la mesa. No alimente la pieza de trabajo a la hoja ni corte "a mano alzada" de ningún modo.** Las piezas de trabajo no sujetas o que se muevan podrían salir despedidas a altas velocidades y ocasionar una lesión.
- Empuje la sierra a través de la pieza de trabajo. No jale la sierra a través la pieza de trabajo. Para hacer un corte, levante el cabezal de la sierra y extráigalo sobre la pieza de trabajo sin cortar, arranque el motor, presione el cabezal de la sierra hacia abajo y empuje la sierra a través de la pieza de trabajo.** Es probable que el corte en la carrera de tracción haga que la hoja de sierra suba por encima de la pieza de trabajo y arroje violentamente el ensamble de cuchilla hacia el operador.
- No cruce nunca las manos sobre la línea de corte prevista, ya sea delante o detrás de la hoja de la sierra.** Apoyar la pieza de trabajo con "las manos cruzadas", por ejemplo sujetando la pieza de trabajo hacia la derecha de la hoja de la sierra con la mano izquierda o viceversa es muy peligroso.
- No coloque la mano detrás de la guía con las manos a menos de 100 mm (4") de cada lado de la hoja de la sierra, para quitar restos de madera o por cualquier otro motivo mientras gira la cuchilla.** La proximidad de la hoja de la sierra en movimiento con la mano quizás no sea obvia y puede lesionarse gravemente.
- Inspeccione la pieza de trabajo antes de cortar. Si la pieza de trabajo está arqueada o combada, sujétela con la parte arqueada exterior hacia la guía. Asegúrese siempre de que no haya separación entre la pieza de trabajo, la guía y la mesa a lo largo de la línea del corte. Las piezas de trabajo torcidas o combadas pueden girarse o moverse y hacer que se atasque la hoja de la sierra en movimiento mientras se está cortando. No debe haber clavos ni objetos extraños en la pieza de trabajo.**

- h) **No utilice la sierra hasta que la mesa esté despejada de todas las herramientas, restos de madera, etc., excepto la pieza de trabajo.** Pequeños residuos o piezas sueltas de madera u otros objetos que estén en contacto con la hoja en movimiento pueden salir disparados a gran velocidad.
 - i) **Corte las piezas de trabajo solamente una a una.** Varias piezas de trabajo apiladas no pueden sujetarse o soportarse adecuadamente y pueden atascarse en la hoja o moverse durante la operación de corte.
 - j) **Asegúrese que la sierra ingleteadora esté montada o colocada en una superficie de trabajo firme y nivelada antes de utilizarla.** Una superficie de trabajo nivelada y firme reduce el riesgo de que la sierra ingleteadora se desestabilice.
 - k) **Planee su trabajo. Cada vez que cambie la posición del ángulo de bisel o inglete, asegúrese de que la guía no obstaculice la hoja o el sistema de protección.** Sin encender la herramienta y sin ninguna pieza de trabajo sobre la mesa, mueva la hoja de la sierra como si estuviera realizando un corte completo para asegurarse de que no habrá ningún obstáculo ni peligro de cortar la guía.
 - l) **Proporcione un apoyo adecuado como por ejemplo extensiones de la mesa, banquetas de aserrado, etc. para las piezas de trabajo que sean más anchas o largas que la superficie de la mesa.** Las piezas de trabajo más largas o anchas que la mesa de la sierra ingleteadora pueden volcarse si no están bien apoyadas. Si la pieza cortada o la pieza de trabajo se vuelca, puede levantar el protector inferior o salir disparada impulsada por la hoja en movimiento.
 - m) **No utilice otra persona para reemplazar una extensión de mesa o como apoyo adicional.** El apoyo inestable de una pieza de trabajo puede hacer que la hoja se atasque o que la pieza de trabajo se mueva durante la operación de corte tirando de usted y el ayudante hacia la hoja en movimiento.
 - n) **La pieza cortada no debe atascarse o empujarse de ningún modo contra la hoja de la sierra en movimiento.** Si el espacio es limitado, por ejemplo si se usan topes de longitud, la pieza cortada podría quedarse atrapada contra la hoja y salir disparada violentamente.
 - o) **Utilice siempre una abrazadera o un accesorio diseñado para apoyar adecuadamente el material redondo como las varillas o tubos.** Las varillas tienen tendencia a rodar mientras están siendo cortadas, lo cual hace que la hoja se trabaje y jale la pieza de trabajo y su mano hacia la hoja misma.
 - p) **Deje que la hoja llegue a la velocidad máxima antes de que entre en contacto con la pieza de trabajo.** Así se reducirá el riesgo de que la pieza de trabajo salga disparada.
 - q) **Si la pieza de trabajo o la hoja se atascan, apague la sierra ingleteadora. Espere a que se detengan todas las piezas en movimiento y desconecte el enchufe de la fuente de alimentación y/o extraiga la batería. Luego desatásque el material atascado.** Seguir cortando con una pieza de trabajo atascada podría ocasionar una pérdida de control o dañar la sierra ingleteadora.
 - r) **Después de realizar el corte, suelte el interruptor, sujete la sierra con el cabezal hacia abajo y espere a que la hoja se detenga antes de sacar la pieza cortada.** Alcanzar con la mano cerca de la hoja que gira por inercia es peligroso.
 - s) **Sujete el asa firmemente cuando realice un corte incompleto o cuando libere el interruptor antes de que el cabezal de la sierra esté totalmente en posición hacia abajo.** La acción de freno de la hoja puede ocasionar que el cabezal de la sierra sea jalado hacia abajo y cause un riesgo de lesión.
- **NO ENCAJE NADA CONTRA EL VENTILADOR** para detener el eje del motor. Pueden producirse daños a la herramienta y lesiones corporales.
 - **NUNCA CORTE METALES FERROSOS** o mampostería. El corte de estos materiales puede hacer que las puntas de carburo salgan volando de la hoja a gran velocidad y causen lesiones graves.
 - **NUNCA COLOQUE LAS MANOS MÁS CERCA DE 100 mm (4") DESDE LA CUCHILLA.**
 - **NO TENGA NUNCA NINGUNA PARTE DEL CUERPO EN LA LÍNEA DE LA TRAYECTORIA DE LA HOJA DE LA SIERRA.** Se producirán lesiones corporales.
 - **NO APLIQUE NUNCA LUBRICANTE PARA HOJAS A UNA HOJA EN MOVIMIENTO.** Aplicar lubricante podría hacer que su mano entre en contacto con la hoja, lo cual resultaría en graves lesiones.
 - Cuando la sierra esté conectada al suministro eléctrico **NO** ponga las manos en el área de la hoja. La activación de la hoja sin querer puede ocasionar graves lesiones.
 - **NO EXTIENDA NUNCA LA MANO ALREDEDOR O POR DETRÁS DE LA HOJA DE LA SIERRA.** La hoja puede causar lesiones graves.
 - **NO EXTIENDA NUNCA LA MANO POR DEBAJO DE LA SIERRA** a menos que esté desenchufada y apagada. El contacto con la hoja de la sierra puede causar lesiones corporales.
 - **ASEGURE LA MÁQUINA A UNA SUPERFICIE DE APOYO ESTABLE.** La vibración podría hacer que la máquina se deslice, se mueva o se vuelque, lo cual podría ocasionar graves lesiones.
 - **USE SOLAMENTE LAS HOJAS PARA CORTES TRANSVERSALES** recomendadas para las sierras ingleteadoras. Para obtener los mejores resultados, no use hojas con punta de carburo con ángulos en gancho superiores a 7 grados. No utilice hojas con hendiduras profundas. Estas pueden desviarse y entrar en contacto con el protector y pueden dañar la máquina y/o producir lesiones graves.
 - **USE SÓLO HOJAS DEL TAMAÑO Y TIPO CORRECTOS** especificados para esta herramienta con el fin de evitar daños a la máquina y lesiones graves.
 - **INSPECCIONE LA HOJA PARA DETERMINAR SI TIENE GRIETAS** u otros daños antes de utilizarla. Una hoja agrietada o dañada puede romperse y los trozos pueden salir disparados a gran velocidad y causar lesiones graves. Reemplace las hojas agrietadas o dañadas de inmediato.
 - **LIMPIE LA HOJA Y LAS ABRAZADERAS DE LA HOJA** antes de poner la máquina en marcha. Limpiar la hoja y las abrazaderas de la hoja le permite comprobar si la hoja o sus abrazaderas están dañadas. Una hoja o abrazadera de hoja agrietada o dañada puede romperse y los trozos pueden salir disparados a gran velocidad y causar lesiones graves.
 - **NO USE HOJAS COMBADAS.** Compruebe si la hoja funciona bien y sin vibraciones. Una hoja que vibra puede dañar la máquina y/o causar lesiones graves.
 - **NO** use lubricantes o productos de limpieza (especialmente en spray o aerosol) cerca del protector de plástico. El material de policarbonato utilizado en el protector está sujeto a ataques por ciertas sustancias químicas.
 - **MANTENGA EL PROTECTOR EN SU SITIO** y en buen estado.
 - **USE SIEMPRE LA PLACA INDICADORA DE CORTE Y REEMPLÁCELA CUANDO ESTÉ DAÑADA.** La pequeña acumulación de astillas bajo la sierra puede obstaculizar la hoja de la sierra o causar inestabilidad en la pieza de trabajo al cortar.
 - **USE SOLAMENTE ABRAZADERAS PARA HOJAS ESPECIFICADAS PARA ESTA HERRAMIENTA** a fin de evitar daños a la máquina y/o graves lesiones.
 - **LIMPIE LAS ASTILLAS Y EL ASERRÍN DE LAS RANURAS DE VENTILACIÓN DEL MOTOR.** Las ranuras de ventilación del motor obstruidas pueden hacer que la máquina se caliente en exceso y se dañe, lo cual podría provocar un cortocircuito que a su vez podría ocasionar lesiones graves.
 - **NO BLOQUEE NUNCA EL INTERRUPTOR EN LA POSICIÓN DE ENCENDIDO ("ON").** Pueden producirse graves lesiones corporales.
 - **NO SE PARE NUNCA ENCIMA DE LA HERRAMIENTA.** Podría sufrir graves lesiones si se vuelca la herramienta o si la herramienta de corte se toca sin querer.
 - Puede obtenerse **INFORMACIÓN ADICIONAL** acerca del funcionamiento seguro y correcto de las herramientas eléctricas (por ejemplo, un video sobre seguridad) del Power Tool Institute, 1300 Sumner Avenue, Cleveland, OH 44115-2851 (www.powertoolinstitute.com). Asimismo puede obtenerse información del National Safety Council, 1121 Spring Lake Drive, Itasca, IL 60143-3201. Por favor consulte las Reglas de seguridad ANSI 01.1 para Máquinas de carpintería del Instituto Nacional Americano de Normalización y las Reglas de la Administración de Seguridad y Salud Ocupacional (OSHA) 1910.213 del Departamento de Trabajo de los EE.UU..

Normas de Seguridad Adicionales de las Sierras Ingleteadoras

-  **ADVERTENCIA:** No ignore las reglas de seguridad por estar familiarizado con la herramienta (debido al uso frecuente de su sierra). Recuerde siempre que un descuido de una fracción de segundo es suficiente para causar lesiones graves.
-  **ADVERTENCIA:** Nunca modifique la herramienta eléctrica o ninguna parte de ella. Podría resultar en daño o lesiones personales.
- **NO PONGA EN FUNCIONAMIENTO ESTA MÁQUINA** hasta que esté totalmente ensamblada e instalada según las instrucciones. Si la máquina no está debidamente ensamblada puede causar lesiones graves.
- **OBTENGA CONSEJO** de su supervisor, instructor u otra persona calificada si no está totalmente familiarizado con el funcionamiento de esta máquina. El conocimiento es sinónimo de seguridad.
- **SIGA TODOS LOS CÓDIGOS DE INSTALACIÓN ELÉCTRICA** y realice las conexiones eléctricas recomendadas para evitar producir descargas eléctricas o electrocución. Proteja la línea de abastecimiento eléctrico con un fusible de acción retardada de 15 amperios o un interruptor de circuito, como mínimo.
- **ASEGÚRESE** de que la hoja gire en la dirección correcta. Los dientes de la hoja deberían apuntar a la dirección de la rotación según se marca en la sierra.
- **APRIETE TODOS LOS MANGOS DE SUJECCIÓN**, las perillas y las palancas antes de poner en funcionamiento la máquina. Las abrazaderas sueltas pueden hacer que algunas piezas o la pieza de trabajo salgan disparadas a gran velocidad.
- **ASEGÚRESE** de que la hoja y las abrazaderas de la hoja estén limpias, de que los bordes hundidos de las abrazaderas de la hoja estén apoyados contra la hoja y que el tornillo de eje esté bien apretado. Si la hoja está suelta o no está bien sujeta pueden ocasionarse daños a la sierra y lesiones corporales.
- **NO PONGA EN FUNCIONAMIENTO LA SIERRA CON UN VOLTAGE DIFERENTE A AQUEL PARA EL CUAL FUE DISEÑADA;** Pueden producirse un sobrecalentamiento, daños a la herramienta y lesiones corporales.
-  **ADVERTENCIA:** El cortar plásticos, madera revestida de savia y otros materiales puede ocasionar una acumulación del material derretido en las puntas de la hoja y el cuerpo de la hoja de la sierra, aumentando el riesgo de sobrecalentamiento y trabado de la hoja al cortar.
-  **ADVERTENCIA:** Use **SIEMPRE** lentes de seguridad. Los anteojos de diario **NO SON** lentes de seguridad. Utilice además una cubrebocas o mascarilla antipolvo si la operación de corte genera demasiado polvo. **SIEMPRE LLEVE EQUIPO DE SEGURIDAD CERTIFICADO:**
 - protección ocular ANSI Z87.1 (CAN/CSA Z94.3),
 - protección auditiva ANSI S12.6 (S3.19),
 - protección respiratoria NIOSH/OSHA/MSHA.
-  **ADVERTENCIA:** Algunas partículas de polvo generadas al lijar, serrar, esmerilar y taladrar con herramientas eléctricas, así como al realizar otras actividades de construcción, contienen químicos que el Estado de California sabe que pueden producir cáncer, defectos congénitos u otras afecciones reproductivas. Ejemplos de estos químicos son:
 - plomo de algunas pinturas en base a plomo,
 - polvo de sílice proveniente de ladrillos y cemento y otros productos de albañilería y

- arsénico y cromo provenientes de madera tratada químicamente.

Su riesgo de exposición a estos químicos varía, dependiendo de la frecuencia con la cual realiza usted este tipo de trabajo. Para reducir su exposición a estas sustancias químicas: trabaje en una zona bien ventilada y llevando equipos de seguridad aprobados, como mascarillas antipolvo especialmente diseñadas para filtrar partículas microscópicas.

- Evite el contacto prolongado con polvo generado por el lijado, aserrado, pulido, taladrado y otras actividades de construcción. Vista ropas protectoras y lave las áreas de la piel expuestas con agua y jabón. Si permite que el polvo se introduzca en la boca u ojos o quede sobre la piel, puede favorecer la absorción de productos químicos peligrosos.

ADVERTENCIA: La utilización de esta herramienta puede generar polvo o dispersarlo, lo que podría causar daños graves y permanentes al sistema respiratorio, así como otras lesiones. Siempre use protección respiratoria aprobada por NIOSH (Instituto Nacional de Seguridad y Salud en el Trabajo) u OSHA (Administración de Seguridad y Salud en el Trabajo) apropiada para la exposición al polvo. Dirija las partículas en dirección contraria a la cara y el cuerpo.

ADVERTENCIA: Siempre lleve la debida protección auditiva personal en conformidad con ANSI S12.6 (S3.19) durante el uso de esta herramienta. Bajo algunas condiciones y duraciones de uso, el ruido producido por este producto puede contribuir a la pérdida auditiva.

- Los orificios de ventilación suelen cubrir piezas en movimiento, por lo que también se deben evitar. Las piezas en movimiento pueden atrapar prendas de vestir sueltas, joyas o el cabello largo.
- Los hilos del alargador deben ser de un calibre apropiado (AWG o American Wire Gauge) para su seguridad. Mientras menor sea el calibre del hilo, mayor la capacidad del cable. Es decir, un hilo calibre 16 tiene mayor capacidad que uno de 18. Un cable de un calibre insuficiente causará una caída en la tensión de la línea dando por resultado una pérdida de energía y sobrecalentamiento. Cuando se utilice más de un alargador para completar el largo total, asegúrese que los hilos de cada alargador tengan el calibre mínimo. La tabla siguiente muestra el tamaño correcto a utilizar, dependiendo de la longitud del cable y del amperaje nominal de la placa de identificación. Si tiene dudas sobre cuál calibre usar, use un calibre mayor. Cuanto menor sea el número del calibre, más resistente será el cable.

Calibre mínimo de conjuntos de cables		Longitud total del cable en pies (metros)			
Voltios		25 (7,6)	50 (15,2)	100 (30,5)	150 (45,7)
120 V		25 (7,6)	50 (15,2)	100 (30,5)	150 (45,7)
240 V		50 (15,2)	100 (30,5)	200 (61,0)	300 (91,4)
Amperaje nominal		AWG			
Más de	Más de				
0	6	18	16	16	14
6	10	18	16	14	12
10	12	16	16	14	12
12	16	14	12	No recomendado	

La etiqueta de su herramienta puede incluir los siguientes símbolos. A continuación se indican los símbolos y sus definiciones:

- | | |
|--|---|
| V..... voltios | RPM..... revoluciones por minuto |
| Hz..... hertz | sfpm..... pies de superficie por minuto |
| min..... minutos | SPM..... pasadas por minuto |
| — or DC..... direct current | A..... amperios |
| ⊕..... Construcción de Clase I (tierra) | W..... vatios |
| .../min..... por minuto | ~ or AC..... corriente alterna |
| BPM..... golpes por minuto | ⎓ or AC/DC..... corriente alterna o directa |
| IPM..... impactos por minuto | ⊞..... Construcción de Clase II (doble aislamiento) |
| n ₀ velocidad sin carga | ⚠..... radiación visible |
| n..... velocidad nominal | ☁..... protección respiratoria |
| ⊖..... terminal de conexión a tierra | 👁..... protección ocular |
| ⚠..... símbolo de advertencia de seguridad | 👂..... protección auditiva |
| 📖..... lea toda la documentación | |

Para su conveniencia y seguridad, su sierra ingleteadora tiene las siguientes etiquetas de advertencia.

EN LA TAPA DE EXTREMO DEL MOTOR:

PARA REDUCIR EL RIESGO DE LESIONES, EL USUARIO DEBE LEER ESTE MANUAL DE INSTRUCCIONES. USE PROTECCIÓN PARA LOS OJOS Y RESPIRATORIA. SÓLO USE PARTES DE REEMPLAZO IDÉNTICAS. NO EXPONGA A LLUVIA NI UTILICE EN UBICACIONES HÚMEDAS.

EN LA CERCA:

SIEMPRE AJUSTE LA CERCA CORRECTAMENTE ANTES DE USAR. SUJETE PIEZAS PEQUEÑAS ANTES DE CORTAR. VEA EL MANUAL.

EN EL PROTECTOR:

PELIGRO: MANTÉNGASE ALEJADO DE LA HOJA.

EN EL PROTECTOR SUPERIOR:

SUJETE EL SOPORTE CORRECTAMENTE CON AMBOS TORNILLOS ANTES DE USAR.

EN LA MESA: (2 LUGARES)

ADVERTENCIA: MANTENGA LAS MANOS FUERA DE LA TRAYECTORIA DE LA CUCHILLA DE LA SIERRA. EL CONTACTO CON LA CUCHILLA RESULTARÁ EN LESIONES SERIAS. NO OPERE LA SIERRA SIN LAS PROTECCIONES EN SU LUGAR. REVISE EL SISTEMA DE PROTECCIÓN PARA ASEGURARSE QUE ESTÉ FUNCIONANDO CORRECTAMENTE. NO REALICE NINGUNA OPERACIÓN A MANO ALZADA. NUNCA PASE POR DETRÁS DE LA SIERRA APAGUE LA HERRAMIENTA Y ESPERE QUE LA CUCHILLA DE LA SIERRA SE DETENGA ANTES DE MOVER LA PIEZA DE TRABAJO O CAMBIAR LOS AJUSTES O MOVER LAS MANOS. NUNCA CRUCE LOS BRAZOS AL FRENTE DE LA CUCHILLA. SIEMPRE APRIETE LAS PERILLAS DE AJUSTE ANTES DE CADA USO. DESCONECTE LA ENERGÍA ANTES DE CAMBIAR LA CUCHILLA O DAR SERVICIO.



EN LA MESA: (2 LUGARES) ON GUARD:



Doble Aislamiento

Las herramientas con aislamiento doble se construyen en todas partes con dos capas separadas de aislamiento eléctrico, o una sola capa de aislamiento reforzado, entre el operador y el sistema eléctrico de la herramienta. Las herramientas fabricadas con este sistema de aislamiento no requieren conexión a tierra. En consecuencia, esta herramienta está equipada con un enchufe de dos conectores que le permite utilizar cables prolongadores sin tener que preocuparse por mantener la conexión a tierra.

NOTA: El aislamiento doble no implica que no se deban tomar las medidas de seguridad normales al operar esta herramienta. El sistema de aislamiento secundario supone una protección contra lesiones ocasionadas por una posible falla del aislamiento eléctrico primario dentro de la herramienta.

ADVERTENCIA: AL REPARAR, SÓLO UTILICE PIEZAS DE REPUESTO IDÉNTICAS A LAS ORIGINALES. Repare o reemplace los cables dañados.

Enchufes Polarizados

Los enchufes polarizados (una pata es más ancha que la otra) se utilizan en los equipos para reducir el riesgo de descarga eléctrica. Este enchufe se ajusta al tomacorriente polarizado de una sola manera. Si el enchufe no se ajusta totalmente al tomacorriente, invierta el enchufe. Si aun así no se ajusta bien, recurra a un electricista calificado para que instale un tomacorriente adecuado. No cambie el enchufe de ninguna manera.

Conexión Eléctrica

Asegúrese de que la fuente de energía concuerde con lo que se indica en la placa. 120 voltios, CA significa que la sierra sólo funciona con corriente alterna. Un descenso en el voltaje del 10 por ciento o más producirá una pérdida de potencia y sobrecalentamiento. Todas las herramientas DeWALT se prueban en fábrica. Si esta herramienta no funciona, revise el suministro de energía.

Especificaciones

Capacidad de Corte

Inglete de 50° a la izquierda y 60° a la derecha	
49° de bisel a izquierda y derecha	
0° de inglete	
Altura máxima de 112 mm (4,4 po)	Ancho resultante de 231 mm (9,1 po)
Ancho máximo 349 mm (13,75 po)	Altura resultante de 76 mm (3,0 po)
45° de inglete	
Altura máxima de 112 mm (4,4 po)	Ancho resultante de 147 mm (5,8 po)
Ancho máximo 244 mm (9,6 po)	Altura resultante de 76 mm (3,0 po)
45° de bisel - Izquierda	
Altura máxima de 79 mm (3,1 po)	Ancho resultante de 290 mm (11,4 po)
Ancho máximo 349 mm (13,75 po)	Altura resultante de 43 mm (1,7 po)
45° de bisel - Derecha	
Ancho máximo 56 mm (2,2 po)	Altura resultante de 290 mm (11,4 po)
Altura máxima de 349 mm (13,75 po)	Ancho resultante de 28 mm (1,1 po)

La sierra puede cortar molduras de zócalo de 19 mm (0,75") de espesor por 165,1 mm (6,5") de alto a 45° de inglete derecho o izquierdo.

Destornillador

- Motor de 120 voltios
- Motor de 15 amperios
- 3800 RPM
- Engranajes fresados helicoidales
- Correa en V
- Hoja de carburo
- Freno eléctrico automático

Desembalar la Sierra

Controle el contenido de la caja de la sierra ingletadora para asegurarse de haber recibido todas las piezas. Además de este manual de instrucciones, la caja debe contener:

- 1 Sierra ingletadora DWS779
- 1 Hoja de sierra DEWALT de 305 mm (12") de diámetro

En la bolsa:

- 1 Llave de la hoja
- 1 Abrazadera para sujetar los materiales
- 2 Arandelas de bloqueo
- 2 Tuercas de mariposa
- 1 Bolsa de polvo
- 1 Extensión de base (derecha)
- 1 Extensión de base (izquierda)
- 1 Manual de instrucciones

Uso Debido

Esta sierra de inglete de servicio pesado está diseñada para aplicaciones de corte de madera profesionales.

NO use bajo condiciones húmedas o en presencia de líquidos o gases inflamables.

Esta sierra de inglete es una herramienta eléctrica profesional. **NO** permita que los niños toquen la herramienta. Si el operador no tiene experiencia utilizando esta herramienta, deberá ser supervisado.

Familiarizarse (Fig. A, B)

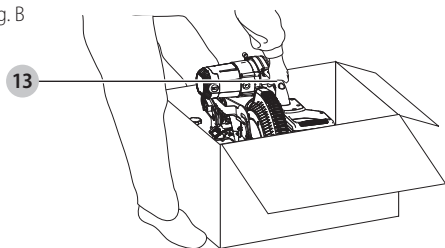
Su sierra de inglete no está completamente ensamblada en el cartón. Consulte la sección **Montaje y ajustes** respecto a las instrucciones de ensamble. Abra la caja y extraiga la sierra sujetándola del práctico manija de transporte **13**, como se muestra en la Figura B.

Coloque la sierra sobre una superficie lisa y plana, como un banco de trabajo o una mesa fuerte. Observe las Figura A para familiarizarse con la sierra y sus diversas piezas. En la sección de ajustes se describen estas piezas, y es preciso que sepa cuáles son y en qué lugar se encuentran.

⚠ ATENCIÓN: *Riesgo de pellizcos. Para reducir el riesgo de lesiones, mantenga el pulgar debajo del mango cuando tire de éste hacia abajo. El protector inferior se moverá hacia arriba al tirar del mango hacia abajo, lo que podría producir un pellizco. El mango ha sido colocado cerca de la guarda para los cortes especiales.*

Presione ligeramente la palanca de operación **2** y jale la perilla de bloqueo de la cabeza **17**. Libere suavemente la presión hacia abajo y permita que el brazo se eleve a su altura máxima. Use el pasador de bloqueo cuando transporte la sierra de un lugar a otro. Utilice siempre la manija de transporte **13** para transportar la sierra o las hendiduras para las manos **9** que se muestran en la Figura A.

Fig. B



Montaje en el Banco de Trabajo (Fig. A)

Las cuatro patas tienen orificios de montaje **3** para facilitar el montaje en el banco, como se muestra en la Figura A. (Los orificios son de dos tamaños diferentes para adaptarse a distintos tamaños de tornillos. Utilice cualquiera de los dos orificios, no es necesario utilizar ambos.) Siempre monte la sierra firmemente en una superficie estable, para evitar movimientos. Para facilitar su transporte, se puede montar la herramienta a una pieza de madera contrachapada de 12,7 mm (1/2") de espesor o más, que puede a su vez fijarse al soporte de la pieza de trabajo o trasladarse a otros puestos de trabajo y volver a fijarse.

NOTA: Si elige montar la sierra a una pieza de madera contrachapada, asegúrese de que los tornillos de montaje no sobresalgan de la parte inferior de la madera. La madera contrachapada debe quedar bien estabilizada sobre el soporte de trabajo. Al sujetar la sierra a cualquier superficie de trabajo, utilice únicamente los refuerzos de sujeción donde se encuentran los

orificios de los tornillos de montaje. Si la sujeta en cualquier otro lugar es probable que interfiera con el funcionamiento adecuado de la sierra.

⚠ ATENCIÓN: *Para evitar bloqueos e imprecisiones, asegúrese de que la superficie de montaje no esté deformada ni desnivelada. Si la sierra oscila sobre la superficie de trabajo, coloque un trozo delgado de material bajo una de las patas de la sierra para afirmarla sobre la superficie de montaje.*

Transporte de la Sierra (Fig. A)

⚠ ADVERTENCIA: *Para reducir el riesgo de lesiones, apague la herramienta y desconéctela de la fuente de alimentación antes de intentar moverla, cambiar accesorios o hacer ajustes.*

⚠ ADVERTENCIA: *Para reducir el riesgo de lesiones corporales graves, SIEMPRE bloquee la perilla de bloqueo de riel **29**, la palanquita de bloqueo de inglet **5**, la perilla de fijación de bisel **11**, el pestillo de seguridad **17** y las perillas de regulación del reborde **14** antes de transportar la sierra.*

Para transportar convenientemente la sierra de un lugar a otro, se ha incluido una manija de transporte **13** en la parte superior del brazo de la sierra y unas hendiduras para mano **9** en la base, como se muestra en la Figura A. Para transportar la sierra, baje el brazo de la sierra y presione el pasador de bloqueo de la cabeza **17** para asegurar el brazo. Se ajustará a la posición de bloqueo.

MONTAJE Y AJUSTES

⚠ ADVERTENCIA: *Para reducir el riesgo de lesiones personales graves, apague la herramienta y desconéctela de la fuente de alimentación antes de realizar ajustes o de retirar/instalar dispositivos o accesorios. Un arranque accidental podría causar lesiones.*

NOTA: La sierra ingletadora recibe todos los ajustes necesarios y precisos durante el proceso de fabricación. Si se precisa realizar nuevos ajustes debido al envío y la manipulación, o por cualquier otro motivo, siga los siguientes pasos.

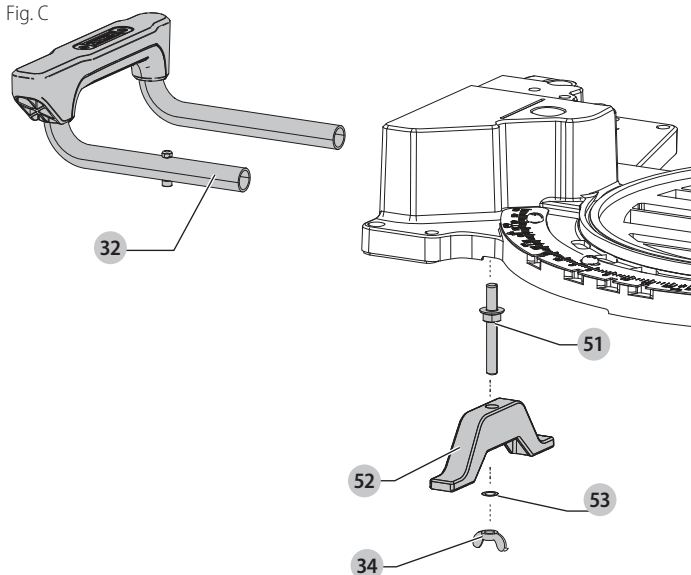
Una vez realizados, estos ajustes no se volverán a desconfigurar. Tómese el tiempo necesario y siga estas instrucciones cuidadosamente para mantener el alto nivel de precisión de la sierra.

Ensamble de extensiones de base (Fig. C)

⚠ ADVERTENCIA: *Las extensiones de base se deben ensamblar en ambos lados de la base de la sierra antes de usarla.*

1. Localice el perno roscado preensamblado **51** debajo de la base de la sierra.
2. La extensión **32** debe estar orientada como se muestra en la ilustración, deslizando completamente hacia atrás en los soportes en forma de U.
3. Sujete las varillas de la extensión contra la base de la sierra de inglete insertando la abrazadera **52** sobre el perno roscado, seguido de la arandela **53** y apretando la tuerca de mariposa **34**. Asegúrese que la extensión esté segura tirando de la extensión para verificar que no haya movimiento.
4. Repita los pasos 1 al 3 en el otro lado.

Fig. C



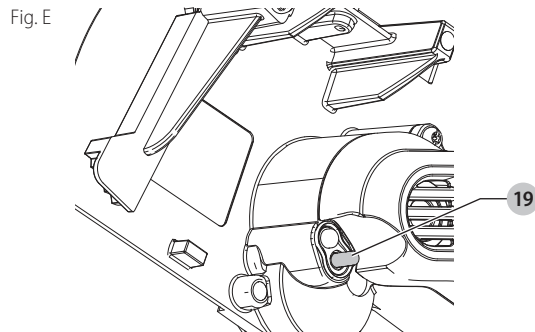
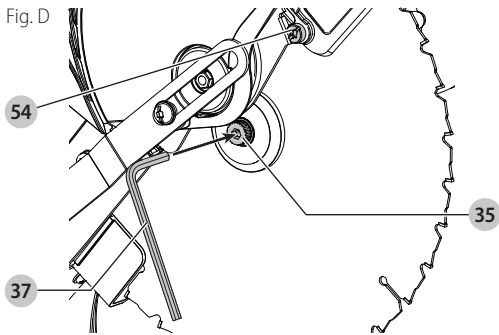
Cambio o Instalación de una Hoja de Sierra Nueva (Fig. A, D-F)

⚠ ADVERTENCIA: *Para reducir el riesgo de lesiones, apague la herramienta y desconéctela de la fuente de alimentación antes de intentar moverla, cambiar accesorios o hacer ajustes.*

- ⚠ ATENCIÓN:**
- Nunca oprima el botón de bloqueo del eje mientras la hoja esté en funcionamiento o en marcha por inercia.
 - No utilice esta sierra ingletadora para cortar metales ferrosos (que contengan hierro o acero) o mampostería o productos de cemento de fibra.

Retiro de la Hoja

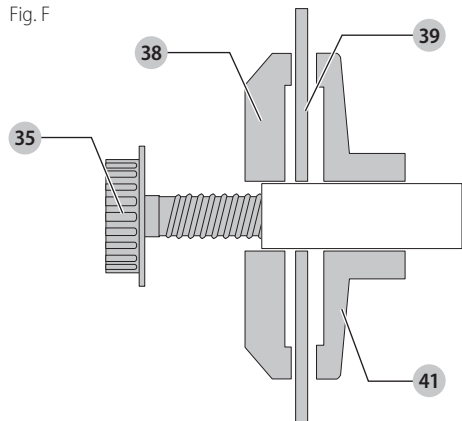
1. Desenchufe la sierra.
2. Levante el brazo hasta la posición superior y levante el protector inferior **4** todo lo que sea posible.
3. Afloje, pero no retire el tornillo del soporte del protector **54** hasta que se pueda levantar suficientemente el soporte como para tener acceso al tornillo de la hoja **35**. El protector inferior permanecerá levantado debido a la posición del tornillo del soporte del protector.
4. Oprima el botón de bloqueo del eje **19** mientras gira cuidadosamente la hoja de la sierra a mano hasta enganchar el bloqueo.
5. Con el botón oprimido, utilice la otra llave de la hoja **37** proporcionada para aflojar el tornillo de la hoja. (Gire en sentido de las agujas del reloj, roscas de mano izquierda.)



6. Retire el tornillo de la hoja **35**, abrazadera externa de la hoja **38** y la hoja **39**. El adaptador de hoja de 25,4 mm (1"), si se utiliza, y la abrazadera interna de la hoja **41** pueden dejarse en el eje.

NOTA: El adaptador de hoja de 25,4 mm (1") no se utiliza en las hojas que tienen un orificio de 15,88 mm (5/8").

Fig. F



Instalación de la Hoja

1. Desenchufe la sierra.
 2. Con el brazo levantado, el protector inferior abierto y el soporte del protector levantado, coloque la cuchilla en el eje, en el adaptador de la cuchilla [si usa una cuchilla con un orificio de cuchilla de 25,4 mm (1") de diámetro] y contra la abrazadera interna de la cuchilla con los dientes en la parte inferior de la hoja apuntando hacia la parte posterior de la sierra.
 3. Monte la abrazadera externa de la hoja sobre el eje.
 4. Instale el tornillo de la hoja **35** y, fijando el bloqueo del eje, ajuste el tornillo firmemente con la llave de la hoja provista. (Gire en sentido contrario a las agujas del reloj, roscas de mano izquierda.)
- NOTA:** Cuando se utilizan hojas con un orificio de 15,88 mm (5/8") de diámetro, no se utiliza el adaptador de hoja, que debe guardarse en un lugar seguro.
5. Vuelva a colocar el soporte del protector en su posición original y ajuste firmemente el tornillo **54** del mismo para mantenerlo en su lugar.

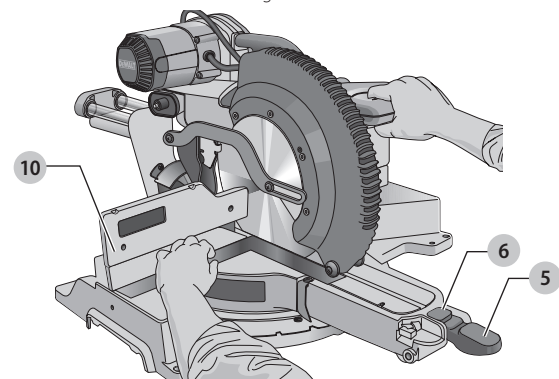
⚠ ADVERTENCIA:

- Antes de poner en funcionamiento la sierra, se debe volver a colocar el soporte del protector en su posición original y ajustar el tornillo.
- Si no se cumple con esta indicación, el protector podría tocar la hoja de la sierra en rotación y provocar daños a la sierra y lesiones personales graves.

Regulación de la Escala de Inglete (Fig. A, G)

Desbloquee la palanquita de bloqueo de inglete **5** y desplace el brazo de los ingletes hasta que el botón cerrojo de inglete **6** la trabe en la posición de inglete de 0°. No bloquee la palanquita de bloqueo de inglete. Coloque una escuadra contra el reborde y la hoja de la sierra, como se muestra. (No toque las puntas de los dientes de la hoja con la escuadra. El hacerlo causará una medición imprecisa). Si la hoja de la sierra no está exactamente perpendicular al reborde **10**, afloje los cuatro tornillos de escala de inglete **8** que sujetan la escala de inglete y mueva la palanquita de bloqueo de inglete y la escala a la izquierda o a la derecha hasta que la hoja quede perpendicular al reborde, según lo medido con la escuadra. Apriete de nuevo los cuatro tornillos. No preste atención a la lectura del indicador de inglete en este momento.

Fig. G



Regulación del Indicador de Inglete (Fig. A)

Libere la palanquita de bloqueo de inglete **5** para mover el brazo de los ingletes a la posición cero. Con la palanquita de bloqueo de inglete desbloqueada, permita que el seguro de inglete salte a su lugar a medida que usted gira el brazo de los ingletes a cero. Observe el indicador de inglete **30** y la escala de inglete **7** mostrados en la Figura A. Si el indicador no señala exactamente cero, afloje el tornillo del indicador de inglete **26** que mantiene el indicador en su lugar, cambie la posición del indicador y apriete el tornillo.

Bisel a Escuadra con la Mesa (Fig. A, H, I)

Para alinear la escuadra de la hoja con la mesa **16**, bloquee el brazo en la posición hacia abajo con la clavija de bloqueo **17**. Coloque una escuadra contra la hoja, asegurándose de que la escuadra no esté en la parte superior de un diente. Afloje la perilla de fijación de bisel **11** y cerciórese de que el brazo quede firmemente contra el tope de bisel de 0°. Gire el tornillo de ajuste del bisel de 0° **42** con la llave para la hoja de 1/2", lo necesario de tal modo que la hoja quede a un bisel de 0° con relación a la mesa.

Fig. H

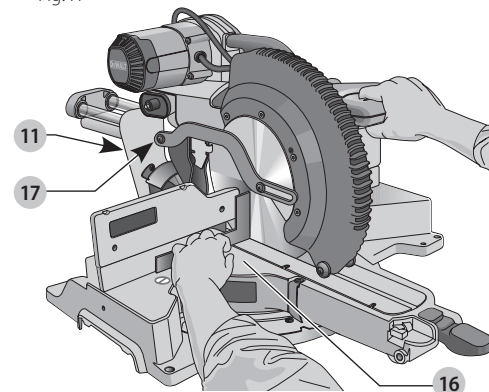
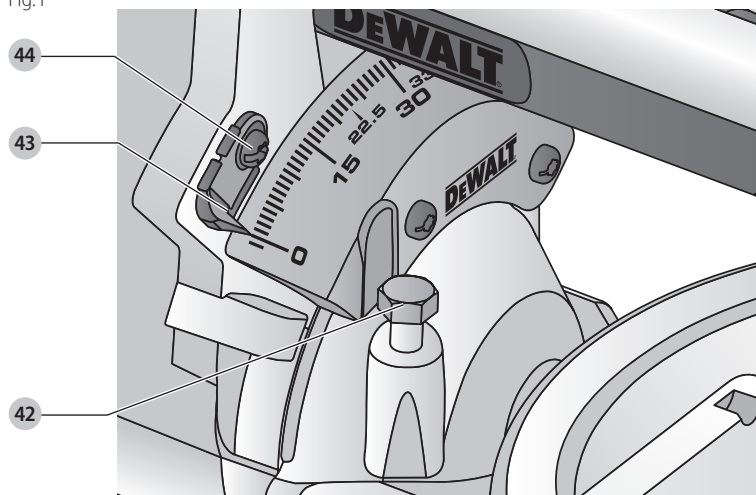


Fig. I



Indicador de Bisel (Fig. I)

Si el indicador de bisel **43** no marca cero, afloje el tornillo **44** que lo sujeta en su lugar y mueva el indicador tanto como sea necesario. Asegúrese de que el bisel de 0° es correcto y de que los indicadores de bisel estén fijados antes de ajustar otros tornillos de ángulo de bisel.

Cómo Ajustar el Tope de Bisel a 45° a la Izquierda o Derecha (Fig. A, I)

Para ajustar el ángulo de bisel de 45° derecho, afloje la perilla de fijación de bisel **11** y hale el tope de bisel de 0° para anular el tope de bisel de 0°. Cuando la sierra esté totalmente a la derecha, si el indicador de bisel no señala exactamente 45°, gire el tornillo de ajuste de 45° **33** (Fig. A) izquierdo con la llave para la hoja de 1/2" hasta que el indicador de bisel **43** indique 45°.

Para ajustar el tope de bisel de 45°, afloje primero la perilla de fijación de bisel e incline el cabezal a la izquierda. Si el indicador de bisel no indica exactamente 45°, gire el tornillo ajuste del bisel de 45° derecho hasta que el indicador de bisel lea 45°.

Ajuste de Reborde (Fig. A)

A fin de que la sierra pueda biselar en muchas posiciones de biselado, uno de los rebordes podría necesitar ser ajustado para proporcionar espacio libre. Para ajustar cada reborde, afloje la perilla de regulación del reborde **14** y deslice el reborde hacia el exterior. Ensaye una vez con la sierra apagada y revise el espacio libre. Ajuste el reborde para que quede lo más cerca posible de la hoja como resulte práctico para proporcione un apoyo máximo para la pieza de trabajo, sin interferir con el movimiento arriba y hacia abajo del brazo. Apriete firmemente la perilla de regulación del reborde. Al completar las operaciones de biselado, no se olvide de volver a colocar el reborde.

Para ciertos cortes, puede ser deseable acercar los rebordes a la hoja. Para utilizar esta función, devuelva dos vueltas las perillas de regulación del reborde y mueva los rebordes más cerca de la hoja, más allá del límite normal; a continuación, apriete las perillas de ajuste de cerco para mantener los cercos en esta ubicación. Al usar esta función, haga primero un corte en seco para asegurarse de que la hoja no haga contacto con los rebordes.

NOTA: Las pistas de los rebordes pueden quedar obstruidas con aserrín. Si usted nota que se están obstruyendo, utilice un cepillo o un poco de aire a baja presión para limpiar los surcos de guía.

Maniobra del Protector y Visibilidad (Fig. A, Y)

⚠ ATENCIÓN: Riesgo de pellizco. Para reducir el riesgo de lesión, mantenga el pulgar debajo de la agarradera de operación al halar la agarradera hacia abajo. El protector inferior se moverá hacia arriba a medida que la agarradera de operación es halada hacia abajo, lo que podría provocar pellizcos.

El protector inferior **4** de su sierra ha sido diseñado para descubrir automáticamente la hoja cuando el brazo se baja y cubrir la hoja cuando el brazo se eleva.

El protector se puede levantar a mano al instalar o retirar hojas de sierra o para la inspección de la sierra. **NO LEVANTE EL PROTECTOR inferior A MANO A MENOS QUE LA HOJA ESTÉ PARADA.**

NOTA: Algunos cortes especiales de materiales de gran tamaño requieren que el usuario eleve el protector. Consulte las **Corte de material de gran tamaño** en **Cortes especiales**.

La sección frontal del protector tiene rejillas que proporcionan visibilidad durante el corte. Si bien las rejillas reducen considerablemente los residuos volátiles, no dejan de ser aberturas en el protector, por lo que se debe usar anteojos de seguridad en todo momento al mirar por la rejilla.

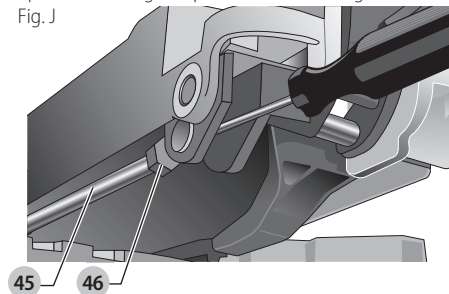
Ajuste del Riel de Guía (Fig. A)

Controle periódicamente los rieles **23** para asegurarse que no haya huelgos ni espacios. El riel derecho se puede regular con el tornillo **31** de sujeción indicado en la Figura A. Para reducir el espacio libre, utilice una llave hexagonal de 4 mm y gire gradualmente el tornillo de sujeción en el sentido de las agujas del reloj, al tiempo que desliza la cabeza de la sierra hacia adelante y hacia atrás. Reduzca los huelgos manteniendo una mínima fuerza de deslizamiento.

Ajuste del Bloqueo de Inglete (Fig. A, J)

La varilla de bloqueo de inglete **45** debe ajustarse si la mesa de la sierra se puede mover cuando la palanquita de bloqueo de inglete **5** está bloqueada (abajo). Para ajustar el bloqueo del inglete, lleve la palanquita de bloqueo de inglete a la posición desbloqueada (arriba). Utilizando una llave fija de 1/2" afloje la tuerca de seguridad **46** sobre la varilla de bloqueo de inglete. Utilizando un destornillador de punta plana, ajuste la varilla de bloqueo de inglete girándola en sentido horario. Gire la varilla de bloqueo hasta que quede ajustada, luego gírela en sentido anti horario una vuelta. Para asegurarse de que el bloqueo de inglete esté funcionando correctamente, vuelva a bloquear el bloqueo de inglete a una medida sin muesca en la escala de inglete – por ejemplo, 34° – y cerciórese de que la mesa no gire. Apriete la tuerca de seguridad.

Fig. J



Controles

La sierra ingletadora compuesta tiene varios controles principales que serán analizados brevemente a continuación. Para obtener más información acerca de estos controles, consulte las secciones anteriores correspondientes en el manual.

Control del Inglete (Fig. A)

La palanquita de bloqueo de inglete **5** y el botón cerrojo de inglete **6** le permiten hacer ingletes con su sierra a 60° a la derecha y 50° a la izquierda. Para poner en ángulo la sierra de inglete, levante la palanquita de bloqueo de inglete, empuje el botón cerrojo de inglete y ajuste el ángulo de inglete deseado en la escala de inglete **7**. Empuje hacia abajo la palanquita de bloqueo de inglete para bloquear el ángulo de inglete.

Interruptor de Gatillo (Fig. A)

El interruptor disparador enciende **1** y apaga su sierra. Se provee un orificio en el gatillo para la inserción de un candado a fin de bloquear la sierra.

Palanca de Anulación del Cerrojo de Inglete (Fig. A)

La palanca de anulación del cerrojo de inglete **22** le permite anular los ángulos comunes de parada de su sierra. Para anular los ángulos comunes de parada, presione el botón cerrojo de inglete **6** y de vuelta a la palanca de anulación del cerrojo de inglete a la posición vertical.

Perilla de Fijación de Bisel (Fig. A)

El bloqueo del bisel **11** permite biselar la sierra 49° a la izquierda o a la derecha. Para fijar el ajuste de biselado, gire la perilla en sentido anti horario. La cabeza de la sierra queda sesgada con facilidad hacia la izquierda o hacia la derecha una vez que se hala la perilla de anulación del bisel de 0°. Para apretar, gire la perilla de fijación de bisel en sentido horario.

Bloqueo de bisel a 45° (Fig. I)

Las anulaciones del tope de bisel se fijan con el tornillo de sujeción para evitar un movimiento accidental. Utilice la broca en la llave para cambio de broca para aflojar el tornillo de sujeción. Esto permite que los deslizadores se tiren hacia afuera y que la cabeza de la sierra gire después de la marca de 45°. Asegúrese de volver a ajustar el tornillo de sujeción al finalizar.

Perilla de Bloqueo de Riel (Fig. A)

La perilla de bloqueo de riel **29** le permite bloquear con firmeza la cabeza de la sierra para evitar que se deslice sobre los rieles. Esto resulta necesario cuando se realizan determinados cortes o al transportar la sierra.

Tope De Profundidad (Fig. A)

El tope de profundidad **24** permite limitar la profundidad de corte de la hoja. El tope es útil para aplicaciones tales como ranurado y cortes verticales altos. Gire el tope de profundidad hacia adelante y ajuste el tornillo de ajuste de la profundidad **28** para fijar la profundidad de corte deseada. Para fijar el ajuste en forma segura, apriete la tuerca de mariposa **20**. El girar el tope de profundidad en la parte trasera de la sierra pasará por alto la característica del tope de profundidad. Si el tornillo de ajuste de la profundidad está demasiado apretado para aflojarlo a mano, la llave proporcionada para la hoja puede ser usada para aflojar el tornillo.

Clavija De Bloqueo (Fig. A)

⚠ ADVERTENCIA: El pestillo de seguridad debería ser utilizado únicamente al transportar o almacenar la sierra. Nunca utilice el pestillo de seguridad para una operación de corte.

Para bloquear la cabeza de la sierra en la posición hacia abajo, empuje la cabeza de la sierra hacia abajo, empuje el pestillo de seguridad **17** y suelte la cabeza de la sierra. Esto mantendrá con seguridad la cabeza de la sierra hacia abajo, para mover la sierra de un lugar a otro. Para soltar, oprima la cabeza de la sierra hacia abajo y extraiga la clavija.

Freno Eléctrico Automático

La sierra viene equipada con un freno eléctrico automático que detiene la hoja de la sierra dentro de los cinco segundos después de accionar el disparador. El freno no es regulable.

En algunas ocasiones puede producirse un retraso en la activación del freno luego de accionar el disparador. En muy pocas ocasiones puede ocurrir que el freno no se active en absoluto, en cuyo caso la hoja seguirá su marcha por inercia hasta detenerse.

Si se producen retrasos o "saltos", apague y encienda la sierra cuatro o cinco veces. Si el problema persiste, haga reparar la herramienta en un centro de servicio DEWALT autorizado.

Asegúrese siempre de que la hoja se haya detenido antes de retirarla de la ranura. El freno no sustituye a los protectores, ni tampoco garantiza su seguridad si usted no presta atención al utilizar la sierra.

OPERACIÓN

⚠ ADVERTENCIA: Para reducir el riesgo de lesiones personales graves, apague la herramienta y desconéctela de la fuente de alimentación antes de realizar ajustes o de retirar/instalar dispositivos o accesorios. Un arranque accidental podría causar lesiones.

⚠ ADVERTENCIA: Siempre utilice protección para los ojos. Todos los usuarios y espectadores deben utilizar protección para los ojos conforme a las normas ANSI Z87.1 (CAN/CSA Z94.3).

Enchufe la sierra en cualquier fuente de energía doméstica de 60 Hz. Consulte el voltaje en la placa de la herramienta. Asegúrese de que el cable no interfiera con su trabajo.

Posición del Cuerpo y las Manos (Fig. K1–K4)

⚠ ADVERTENCIA: Para reducir el riesgo de lesión personal grave, tenga SIEMPRE las manos en una posición adecuada como se muestra.

⚠ ADVERTENCIA: Para reducir el riesgo de lesión personal grave, sujete SIEMPRE bien en caso de que haya una reacción repentina.

La correcta posición del cuerpo y las manos mientras opera la sierra ingletadora ayudará a lograr cortes más fáciles, precisos y seguros. Nunca coloque las manos cerca del área de corte. Coloque las manos a no menos de 100 mm (4") de la hoja. Sujete la pieza de trabajo fija a la mesa y a la guía mientras corta. Mantenga las manos en posición hasta que el disparador esté liberado y la hoja se haya detenido por completo. SIEMPRE ENSAYE (SIN CORRIENTE ELÉCTRICA) ANTES DE REALIZAR LOS CORTES A FIN DE PODER CONTROLAR EL TRAYECTO DE LA HOJA. NO CRUCE LOS BRAZOS, COMO SE MUESTRA EN LA FIGURA K3.

Mantenga ambos pies firmes sobre el piso y mantenga el equilibrio adecuado. Mientras usted mueve el brazo de inglete de izquierda a derecha, acompañelo y párese al costado de la hoja de la sierra. Observe a través de las rejillas protectoras al seguir una línea de lápiz.

Fig. K1

Fig. K2

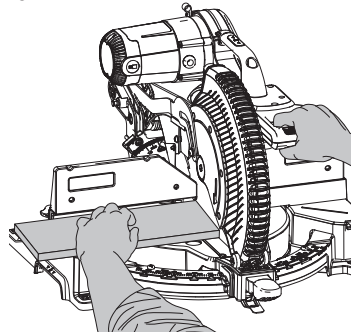
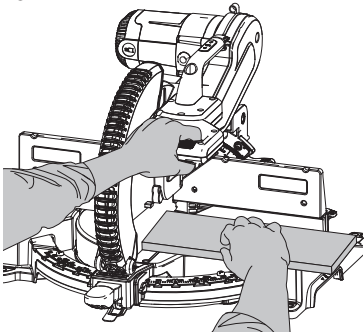
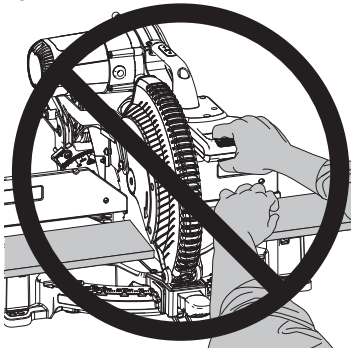
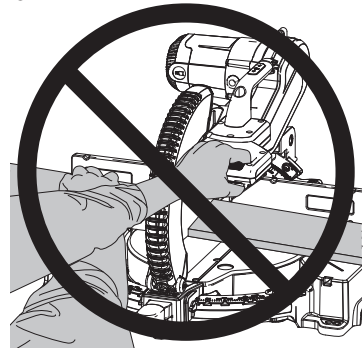


Fig. K3

Fig. K4

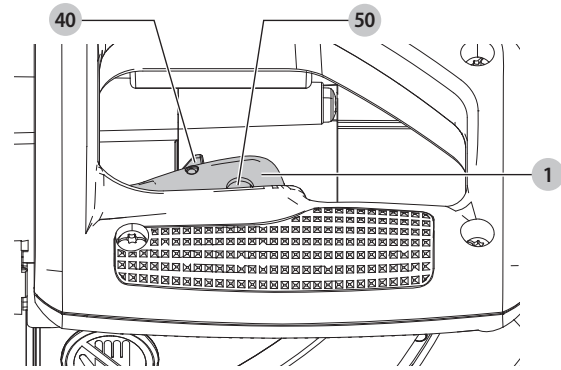


Interruptor de Gatillo (Fig. L)

Para encender la sierra, empuje la palanca de bloqueo en apagado **40** hacia la izquierda, luego presione el interruptor de gatillo **1**. La sierra funcionará mientras el interruptor esté apretado. Deje que la hoja gire hasta la velocidad total de funcionamiento antes de realizar el corte. Para apagar la sierra, suelte el interruptor de gatillo. Deje que la hoja se detenga antes de levantar el cabezal de la sierra. Esta herramienta no se ha diseñado para permitir el bloqueo del interruptor en la posición de encendido. En el gatillo hay un orificio **50** que permite introducir un candado para bloquear la herramienta.

Asegúrese siempre de que la hoja se haya parado antes de sacarla de la línea de corte.

Fig. L



Extracción de Polvo (Fig. M)

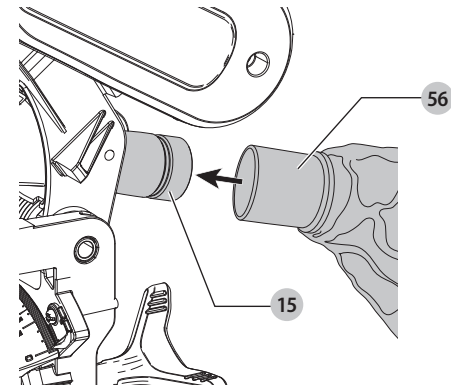
La sierra tiene un tubo de descarga de polvo **15** incorporado que permite conectar la bolsa para polvo suministrada o un sistema de aspiradora de taller.

NOTA: Esta sierra tiene un puerto de polvo equipado con un accesorio AirLock™, que es un sistema universal que conecta herramientas a aros de refuerzo de extracción de polvo para minimizar la limpieza en el sitio de trabajo.

Para Fijar la Bolsa para Polvo

1. Introduzca la bols **56** para polvo en el tubo de descarga de polvo **15** como se muestra en la Figura M.

Fig. M



Operaciones de Corte Completo (Fig. A)

Si no se utiliza la función de deslizamiento, asegúrese de que la cabeza de la sierra esté lo más atrás posible y que la perilla de bloqueo de riel esté ajustada. Esto evitará que la sierra se deslice por los rieles cuando la pieza esté colocada.

NOTA: Aunque esta sierra podrá cortar madera y materiales no ferrosos, limitaremos nuestra discusión en detalle solamente al corte de madera. Las mismas pautas se aplican a otros materiales. NO CORTE MATERIALES FERROSOS (HIERRO Y ACERO) O MAMPOSTERÍA CON ESTA SIERRA. No emplee hojas abrasivas.

NOTA: Consulte la sección de **Maniobra del protector y la visibilidad** en los **Montaje y ajustes** para obtener información importante acerca del protector inferior, antes de cortar.

Cortes Transversales (Fig. A, N)

Los cortes transversales se realizan cruzando la veta de la madera en cualquier ángulo. Los cortes transversales rectos se realizan con el brazo del inglete en la posición de cero grado. Fije y bloquee el brazo del inglete en cero, sostenga la madera firmemente sobre la mesa y contra el reborde. Con la perilla de bloqueo de riel apretada, encienda la sierra accionando el interruptor disparador **1** que se muestra en la Figura A.

Una vez que la sierra haya alcanzado velocidad (al cabo de 1 segundo), baje el brazo uniforme y lentamente para cortar a través de la madera. Espere a que la hoja se detenga por completo para levantar el brazo.

Quando corte algún material más largo de 2 x 8 (51 x 203 mm [2 x 6 (51 x 152 mm) a 45° de inglete]), utilice un movimiento hacia afuera, hacia abajo y hacia atrás con la perilla de bloqueo de riel floja. Traiga la sierra hacia usted, baje la cabeza de la sierra en dirección a la pieza de trabajo y lentamente, empuje la sierra hacia atrás para completar el corte. No permita que la sierra toque la parte superior de la pieza de trabajo mientras la retira. La sierra podría correrse hacia usted, provocándole lesiones personales u ocasionando daños a la pieza de trabajo.

No se recomienda cortar muchas piezas, aunque es posible hacerlo en forma segura siempre que cada pieza esté sostenida firmemente contra la mesa y el reborde.

NOTA: Para brindar una mayor capacidad de cortes transversales con menor carrera, la hoja de la DWS779 se extiende más hacia el centro de la mesa. Como resultado, es posible obtener una mayor fuerza de elevación sobre la pieza de trabajo durante corte.

⚠ ATENCIÓN: Siempre use una abrazadera para el trabajo a fin de mantener el control y reducir el riesgo de dañar la pieza de trabajo y de lesiones personales, si es obligatorio que sus manos estén a no más de 100 mm (4") de la hoja durante el corte.

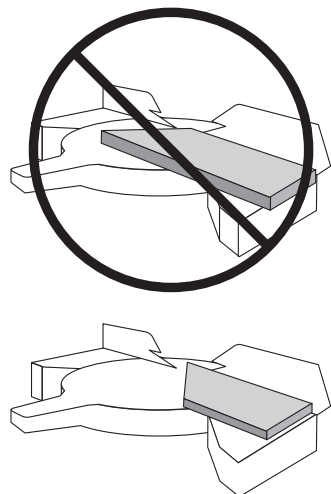
NOTA: La perilla de bloqueo de riel **29** que se muestra en la Figura A debe estar floja para permitir que la sierra se deslice a lo largo de los rieles **23**.

Los cortes transversales a inglete se hacen con el brazo de los ingletes en un ángulo distinto de cero. Este ángulo suele ser de 45° para formar esquinas, pero se puede fijar en cualquier parte desde cero a 50° a la izquierda o 60° a la derecha. Haga el corte como se describe anteriormente.

Al realizar un corte a inglete en piezas de trabajo con una anchura mayor de 2 x 6 que son más cortas en longitud, coloque siempre el lado más largo contra el rebord **10** (Fig. N).

Para cortar siguiendo una línea marcada con lápiz sobre la pieza de madera, haga coincidir el ángulo de la forma más precisa posible. Corte la madera con un largo un poco excesivo y mida la distancia desde la línea marcada con lápiz al borde del corte, para determinar en qué dirección se debe ajustar el ángulo del inglete; luego vuelva a realizar el corte. Este proceso requiere cierta práctica, pero es una técnica muy utilizada.

Fig. N



Cortes Biselados

Un corte en bisel es un corte transversal hecho con la hoja de la sierra inclinada en ángulo con relación a la madera. Con el fin de fijar el bisel, afloje el bloqueo del bisel **11**, y mueva la sierra hacia la izquierda o la derecha según se desee. (Es necesario mover el reborde para dejar espacio libre.) Una vez que ha sido fijado el ángulo de bisel deseado, apriete el bloqueo del bisel con firmeza. Refiérase a la sección **Controles** para obtener instrucciones detalladas sobre el sistema de biselado.

Los ángulos de bisel se pueden fijar desde 49° a la derecha a 49° a la izquierda y se pueden cortar con el brazo del inglete fijo entre 50° a la izquierda o 60° a la derecha. Es posible que haya que retirar el reborde lateral izquierdo o derecho para algunos ángulos extremos. Para quitar el reborde izquierdo o derecho, desenrosque varias vueltas de la perilla de regulación **14** del reborde y retire el reborde.

NOTA: Consulte **Ajuste de reborde** en la sección **Montaje y ajustes** para obtener información importante sobre el ajuste de los rebordes para determinados cortes en bisel.

Calidad del Corte

La uniformidad del corte depende de diferentes variables. El tipo de material a cortar, el tipo y filo de la hoja, y la velocidad del corte contribuyen a la calidad.

Cuando se necesitan cortes más uniformes para molduras u otros trabajos de precisión, se debe usar una hoja afilada (60 dientes de carburo) y una velocidad de corte más lenta para lograr los resultados deseados.

Asegúrese de que el material no se mueve o se arrastra durante el corte; sujételo firmemente en su lugar. Siempre permita que la hoja se detenga por completo antes de levantar el brazo de la sierra.

Si aun así se desprenden pequeñas fibras de la parte trasera de la pieza de trabajo, pegue un trozo de cinta adhesiva en la madera donde se realizará el corte. Corte con la sierra a través de la cinta y retírela con cuidado cuando termine.

Para diferentes aplicaciones de cortes, consulte la lista de hojas recomendadas para su sierra y elija la que más se adapte a sus necesidades. Consulte las **Hojas de sierra** en **Accesorios**.

Corte sin Corte Completo (ranurado y rebajado)

Las instrucciones en las secciones **Corte transversal**, **Cortes biselados** e **Corte de Ingletes compuestos** son para hacer todo el espesor del material. La sierra también puede realizar cortes no completos para formar surcos o rebajos en el material.

Corte de Ranura (Fig. A)

Consulte **Tope de profundidad** para instrucciones detalladas para ajustar la profundidad de corte. Se debe usar una pieza de madera para verificar la profundidad de corte deseada.

Sostenga la madera firmemente sobre el banco y contra la cerca **10**. Alinee el área de corte debajo de la cuchilla. Coloque el brazo de la sierra completamente hacia adelante, con la cuchilla en posición hacia abajo. Encienda la sierra apretando el interruptor de gatillo **1** mostrado en la Figura A. Suavemente, empuje hacia atrás el brazo de sierra para cortar una ranura a través de la pieza de trabajo.

Libere el interruptor de gatillo con el brazo de la sierra hacia abajo. Cuando la cuchilla de la sierra se haya detenido completamente, levante el brazo de sierra. Siempre deje que la cuchilla se detenga por completo antes de levantar el brazo.

Para ampliar la ranura, repita los pasos 1-4 hasta alcanzar el ancho deseado.

Sujeción de la Pieza de Trabajo (Fig. A)

ADVERTENCIA: Para reducir el riesgo de lesiones personales graves, apague la herramienta y desconéctela de la fuente de alimentación antes de instalar y retirar accesorios, ajustar o cambiar configuraciones o realizar reparaciones. Un arranque accidental podría causar lesiones.

ADVERTENCIA: Una pieza de trabajo que está sujeta con la abrazadera, equilibrada y asegurada antes de realizar un corte puede desequilibrarse después de finalizar el corte. Una carga desequilibrada puede inclinar la sierra o cualquier objeto en el que esté instalada dicha sierra, como una mesa o un banco de trabajo. Al realizar un corte que puede desequilibrarse, sostenga adecuadamente la pieza de trabajo y asegúrese de que la sierra esté atornillada con firmeza a una superficie estable. Pueden ocasionar lesiones personales.

ADVERTENCIA: El pie de la abrazadera debe permanecer sujeto con la abrazadera por encima de la base de la sierra siempre que se utilice la abrazadera. Siempre sujete la pieza de trabajo con la abrazadera a la base de la sierra (no a cualquier otra pieza del área de trabajo). Asegúrese de que el pie de la abrazadera no esté sujeto al borde de la base de la sierra.

ATENCIÓN: Siempre utilice una abrazadera para sujetar la pieza de trabajo a fin de mantener el control y reducir el riesgo de daños en la pieza o lesiones personales.

Si no puede sujetar la pieza de trabajo con la mano sobre la mesa y contra el reborde, (forma irregular, etc.), o si su mano quedara a menos de 100 mm (4") de la hoja, debe utilizar una abrazadera u otro tipo de sujeción.

Para obtener los mejores resultados, use la abrazadera de material vertical **21** provista con su sierra. Se pueden adquirir abrazaderas DW7082 adicionales en su distribuidor local o en el centro de servicio DEWALT.

También pueden ser apropiados otros accesorios, como las abrazaderas de resorte, las abrazaderas de barra o las abrazaderas en C, según los diferentes tamaños y formas del material. Sea cuidadoso al elegir y colocar estas abrazaderas. Tómese el tiempo para ensayar el corte con la sierra apagada antes de realizarlo. El reborde izquierdo o derecho se deslizará de lado a lado para facilitar la sujeción.

Para Instalar la Abrazadera (Fig. A)

1. Introdúzcala en el orificio detrás de la guía **10**. La abrazadera debe estar mirando hacia la parte posterior de la sierra ingletadora. La ranura en la barra de la abrazadera debe estar completamente dentro de la base. Asegúrese de que esta ranura esté completamente dentro de la base de la sierra ingletadora. Si la ranura está visible, la abrazadera no estará segura.
2. Gire la abrazadera 180° hacia el frente de la sierra ingletadora.
3. Suelte la perilla para ajustar la abrazadera hacia arriba o abajo, luego, utilice la perilla fina ajustable para sostener con firmeza la pieza de trabajo con la abrazadera.

NOTA: Coloque la abrazadera en el lado opuesto de la base al realizar el biselado. SIEMPRE ENSAYE ANTES DE REALIZAR LOS CORTES (SIN CORRIENTE ELÉCTRICA) PARA COMPROBAR EL TRAYECTO DE LA HOJA. ASEGÚRESE DE QUE LA ABRAZADERA NO INTERFIERA CON LA ACCIÓN DE LA SIERRA O LOS PROTECTORES.

Soporte de Piezas Largas

SIEMPRE UTILICE SOPORTES PARA LAS PIEZAS LARGAS.

Nunca haga que otra persona actúe como extensión del banco, como punto de apoyo adicional para una pieza de trabajo que es más larga o ancha que el banco básico de la sierra ingletadora o para que lo ayude a alimentar, brindar apoyo o empujar la pieza de trabajo.

Para obtener los mejores resultados, utilice el soporte de extensión para piezas de trabajo DW7080 para ampliar el ancho de mesa de su sierra; está disponible en su distribuidor a un costo adicional.

Utilice algún soporte conveniente para apoyar las piezas de trabajo largas, como los caballetes de aserrar u otro dispositivo similar, a fin de evitar que se caigan los extremos de la pieza.

Corte de marcos para fotos, cajas para exhibir objetos y otros elementos de cuatro lados (Fig. O, P)

Para comprender mejor cómo se fabrican los elementos aquí enumerados, le sugerimos que intente con algunos proyectos simples, usando madera de descarte, hasta que se acostumbre y domine a la sierra.

La sierra es la herramienta perfecta para cortar esquinas a inglete, como la que se muestra en la Figura P. El esquema 1 de la Figura Q muestra un empalme hecho con la regulación de bisel para biselar los bordes de dos placas a 45° cada una y obtener una esquina a 90°. Para hacer este empalme, el brazo del inglete se bloqueó en la posición cero y la regulación de bisel se bloqueó a 45°. La madera se ubicó con el lado plano ancho contra la mesa y el borde angosto contra el reborde. El corte también se podría haber hecho cortando a inglete de derecha a izquierda, con la superficie ancha contra el reborde.

Fig. O

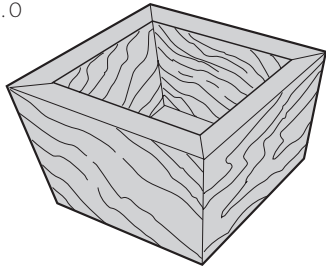
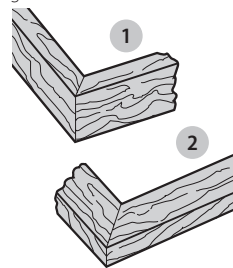


Fig. P



Corte de molduras de terminación y otros marcos (Fig. P)

El esquema 2 de la Figura P muestra un empalme realizado con la regulación del brazo de inglete a 45°, para cortar a inglete las dos placas a fin de formar una esquina a 90°. Para hacer este tipo de empalme, fije la regulación del bisel en cero y el brazo de inglete a 45°. Nuevamente, ubique la madera con el lado plano ancho sobre la mesa y el borde angosto contra el reborde.

Los dos esquemas de la Figura P corresponden a objetos de cuatro lados.

Si cambia la cantidad de lados, también cambian los ángulos de bisel e inglete. El siguiente cuadro presenta los ángulos adecuados para diferentes formas.

- EJEMPLOS -

NÚMERO DE LADOS	ÁNGULO DE INGLETE O BISEL
4	45°
5	36°
6	30°
7	25.7°
8	22.5°
9	20°
10	18°

En el cuadro se presupone que todos los lados tienen la misma longitud. Para las formas que no figuran en el cuadro, utilice la siguiente fórmula: Divida 180° por la cantidad de lados y obtendrá el ángulo de inglete (si el material se corta en forma vertical) o bisel (si el material se corta en posición plana).

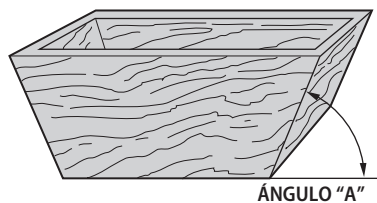
Corte de ingletes compuestos (Fig. Q)

Los ingletes compuestos son cortes que se realizan utilizando un ángulo de inglete y un ángulo de bisel en forma simultánea. Este tipo de corte se utiliza para hacer marcos o cajas con lados inclinados, como el que se muestra en la Figura Q.

NOTA: Si el ángulo de corte varía de corte a corte, compruebe que la perilla de fijación de bisel y la palanquita de bloqueo de inglete estén bien bloqueadas. Estos deben ser bloqueados después de hacer cualquier cambio en bisel o inglete.

El gráfico al final de este manual (Tabla 1) le ayudará a seleccionar los ajustes de bisel o inglete adecuados para los cortes de ingletes compuestos más comunes. Para utilizar este cuadro, seleccione el ángulo deseado A (Fig. Q) del proyecto y ubique ese ángulo en el arco apropiado del cuadro. Desde ese punto, siga el cuadro en línea recta hacia abajo hasta encontrar el ángulo de bisel correcto y en línea perpendicular, para encontrar el ángulo de inglete correcto.

Fig. Q



Fije la sierra en los ángulos indicados y efectúe algunos cortes de prueba. Practique empalmado las piezas cortadas hasta que se familiarice con este procedimiento y se sienta cómodo.

Ejemplo: Para hacer una caja de cuatro lados con ángulos exteriores de 26° (Ángulo A, Fig. Q), utilice el arco derecho superior. Busque 26° en la escala del arco. Siga la línea de intersección horizontal hacia cualquiera de los lados para obtener la regulación del ángulo de inglete en la sierra (42°). De la misma manera, siga la línea de intersección vertical hacia la parte superior o inferior para obtener la regulación de ángulo de bisel en la sierra (18°). Siempre pruebe los cortes sobre algunas piezas de madera de descarte para verificar las regulaciones de la sierra.

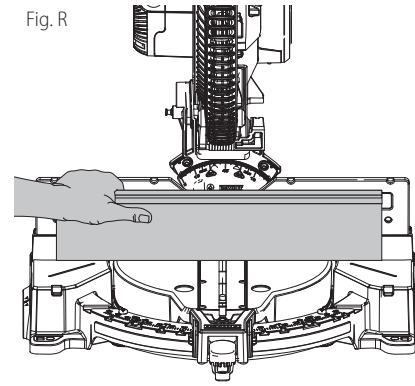
Corte de Molduras de Base (Fig. R)

SIEMPRE ENSAYE CON LA SIERRA APAGADA ANTES DE REALIZAR CUALQUIER TIPO DE CORTE.

Cortes rectos de 90°:

Ubique la madera contra el reborde y sosténgala en posición, como se muestra en la Figura R. Encienda la sierra, permita que la hoja alcance la velocidad máxima y baje el brazo suavemente a través del corte.

Fig. R



Corte de Molduras de Base de Hasta 171 mm (6,75") en Forma Vertical Contra el Reborde (Fig. R)

Ubique el material como se muestra en la Figura R.

Todos los cortes se realizan con la parte posterior de la moldura contra el reborde y la parte inferior de la moldura contra la base.

	Esquina Interior	Esquina Externa
Lado izquierdo	1. Inglete izquierdo a 45° 2. Conserve el lado izquierdo del corte	1. Inglete derecho a 45° 2. Conserve el lado izquierdo del corte
Lado derecho	1. Inglete derecho a 45° 2. Conserve el lado derecho del corte	1. Inglete izquierdo a 45° 2. Conserve el lado derecho del corte

Para cortar materiales de hasta 171 mm (6,75"), siga la descripción anterior.

Corte de Molduras de Corona

La sierra ingletadora es la herramienta más adecuada para las tareas de corte de molduras de corona. Para poder instalar adecuadamente las molduras de corona, los ingletes compuestos se deben regular con suma precisión.

Las dos superficies planas de una pieza de moldura de corona están en ángulos que, cuando se juntan, forman un ángulo de 90° exactos. La mayoría de las molduras de corona, aunque no todas, tienen un ángulo posterior superior (la sección que encaja horizontalmente contra el techo) a 52° y un ángulo posterior inferior (la parte que encaja plana contra la pared) a 38°.

La sierra ingletadora tiene puntos de cerrojo de inglete preestablecidos a 31,6° a la izquierda y derecha para cortes de molduras de corona del ángulo adecuado. También hay una marca en la escala de bisel a 33,9°.

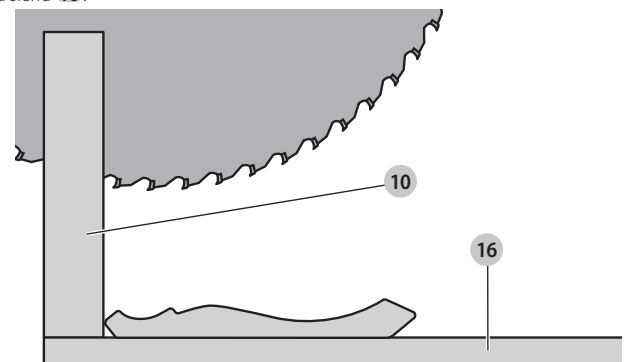
El cuadro siguiente presenta las regulaciones adecuadas para los cortes de molduras de corona (Los números para la fijación de inglete y bisel son muy precisos y no son fáciles de regular con precisión en la sierra). Dado que la mayoría de las habitaciones no tienen ángulos exactos a 90°, deberá afinar las regulaciones de todos modos.

HACER PRUEBAS CON MATERIAL DE DESCARTE ES MUY IMPORTANTE!

Instrucciones para Realizar Cortes en Molduras de Corona en Forma Horizontal a Utilizando Funciones Compuestas (Fig. A, S)

1. La moldura se coloca con la superficie ancha posterior hacia abajo horizontalmente sobre la mesa de la sierra **16**.

Fig. S



2. Parte superior de la moldura contra el reborde **10**.

3. Los siguientes ajustes corresponden a las molduras de corona estándar (EE.UU) con ángulos de 52° y 38°.

	Esquina interior	Esquina externa
Lado izquierdo	1. Bisel izquierdo 33,9°	1. Bisel derecho 33,9°
	2. Mesa de inglete fijada a 31,62° derecho	2. Mesa de inglete fijada a 31,62° izquierdo
	3. Conserve el extremo izquierdo del corte	3. Conserve el extremo izquierdo del corte
Lado derecho	1. Bisel derecho 33,9°	1. Bisel izquierdo 33,9°
	2. Mesa de inglete fijada a 31,62° izquierdo	2. Mesa de inglete fijada a 31,62° derecho
	3. Conserve el extremo derecho del corte	3. Conserve el extremo derecho del corte

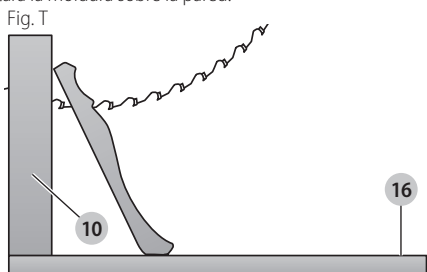
Cuando fije los ángulos de bisel e inglete para todos los ingletes compuestos, recuerde que: Los ángulos presentados para las molduras de corona son muy precisos y difíciles de fijar con exactitud. Dado que los ángulos se pueden alterar con facilidad, y dado que pocas habitaciones forman esquinas en escuadra exacta, todos los ajustes deben probarse en molduras de descarte

HACER PRUEBAS CON MATERIAL DE DESCARTE ES MUY IMPORTANTE!

Método Alternativo para Cortar Molduras de Corona (Fig. T)

Coloque la moldura en la mesa a un ángulo entre el reborde 10 y el banco de la sierra 16 como se muestra en la Figura T. El uso del accesorio de reborde de la moldura de corona (DW7084) se recomienda encarecidamente dado su grado de precisión y conveniencia. Puede comprar el accesorio de reborde para molduras de corona en el distribuidor de su localidad.

La ventaja de cortar molduras de corona con este método es que no requiere ningún corte biselado. Se pueden realizar cambios minuciosos en el ángulo del inglete sin afectar el ángulo de bisel. De esta forma, cuando se encuentran esquinas que no tienen 90°, la sierra se puede regular rápida y fácilmente. Utilice el accesorio de reborde para molduras de corona para mantener el ángulo en el que estará la moldura sobre la pared.



Instrucciones para Cortes de Molduras de Corona con Ángulo Entre el Reborde y la Base de la Sierra para Todos los Cortes

1. Coloque en ángulo la moldura de manera que la parte inferior de la moldura (la que va contra la pared cuando está instalada) quede contra el reborde y la parte superior de la moldura se apoye sobre la base de la sierra, como se muestra en la Figura T.
2. Las "partes planas" anguladas de la parte posterior de la moldura deben apoyarse en escuadra sobre el reborde y la base de la sierra.

	Esquina Interior	Esquina Externa
Lado izquierdo	1. Inglete derecho a 45°	1. Inglete izquierdo a 45°
	2. Conserve el lado derecho del corte	2. Conserve el lado derecho del corte
Lado derecho	1. Inglete izquierdo a 45°	1. Inglete derecho a 45°
	2. Conserve el lado izquierdo del corte	2. Conserve el lado izquierdo del corte

Cortes especiales

NUNCA REALICE CORTES SIN QUE EL MATERIAL ESTÉ BIEN SUJETO A LA MESA Y CONTRA EL REBORDE.

Corte de Aluminio (Fig. A, U, V)

AUTILICE SIEMPRE HOJAS DE SIERRA ADECUADAS, FABRICADAS ESPECÍFICAMENTE PARA CORTAR ALUMINIO. Las puede conseguir en el comercio minorista DEWALT de su localidad o en el centro de mantenimiento DEWALT. Determinadas piezas de trabajo, debido a su tamaño, forma o acabado de superficie, pueden requerir el uso de una abrazadera o sujeción para evitar movimientos durante el corte. Coloque el material de manera de cortar la sección más delgada, como se muestra en la Figura U. La Figura V muestra la forma incorrecta de cortar estas extrusiones. Utilice un lubricante de corte de cera en barra cuando corte aluminio. Aplique la cera en barra directamente en la hoja de la sierra 39 antes de cortar. Nunca aplique cera en barra en una hoja en movimiento.

La cera, disponible en la mayoría de las ferreterías y en los comercios de abastecimiento para talleres industriales, ofrece la lubricación adecuada y evita que las rebabas se adhieran a la hoja. Asegúrese de sujetar bien la pieza de trabajo en forma adecuada.

Fig. U

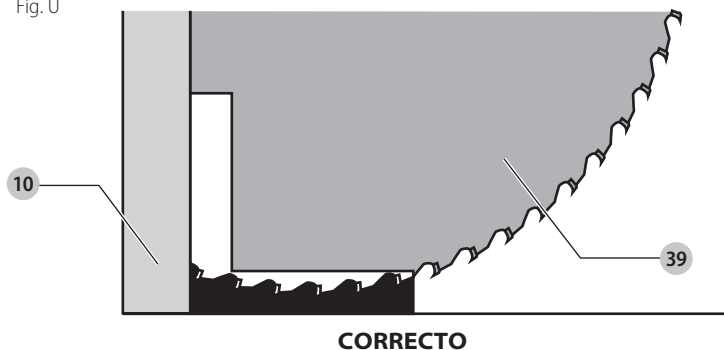
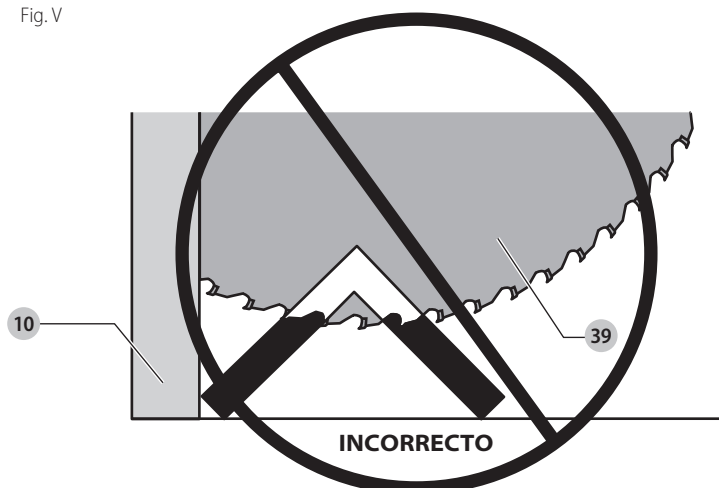


Fig. V



Consulte las Hojas Para Sierras en **Accesorios Opcionales** encontrará la hoja de sierra correcta.

Material Curvado (Fig. W, X)

Al cortar material curvado, coloque siempre de la forma que se muestra en la Figura W y nunca como se muestra en la Figura X. Colocar el material de forma incorrecta provocará accidentes en la hoja cerca de finalizar el corte.

Fig. W

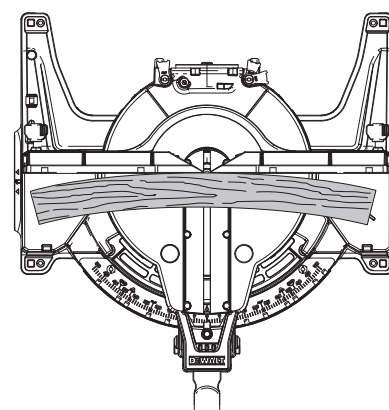
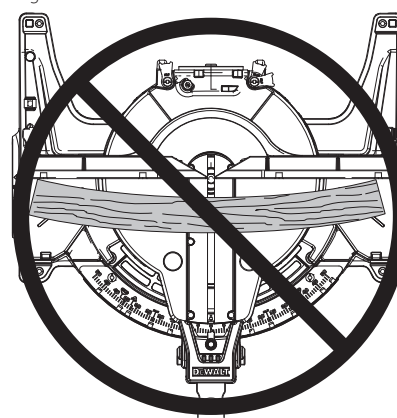


Fig. X



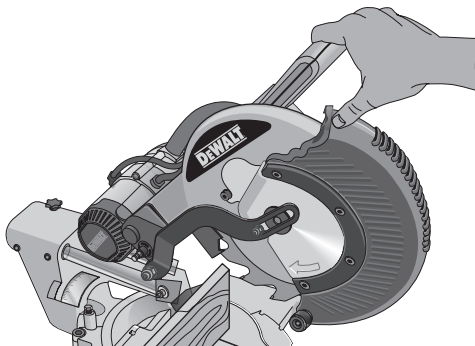
Cortes de Tuberías de Plástico u Otros Materiales Redondos

Las tuberías de plástico se pueden cortar fácilmente con la sierra. Se cortan como madera y se sujetan o **SOSTIENEN FIRMEAMENTE AL REBORDE PARA EVITAR QUE RUEDEN**. Esto es muy importante cuando se realizan cortes en ángulo.

Corte de Material de Gran Tamaño (Fig. Y)

De vez en cuando se encontrará con un trozo de madera un poco grande para caber debajo del protector inferior. De ser así, simplemente coloque su pulgar derecho en la parte superior del protector y enróllelo hacia arriba lo suficiente para despejar la pieza de trabajo según se muestra en la Figura Y. Evite hacer esto con demasiada frecuencia, pero si es necesario, la sierra funcionará correctamente y realizará el corte más grande. **NUNCA ATE, COLOQUE CINTA O MANTENGA ABIERTO EL PROTECTOR MIENTRAS OPERA ESTA SIERRA.**

Fig. Y



MANTENIMIENTO

ADVERTENCIA: Para reducir el riesgo de lesiones personales graves, apague la herramienta y desconéctela de la fuente de alimentación antes de realizar ajustes o de retirar/instalar dispositivos o accesorios. Un arranque accidental podría causar lesiones.

ADVERTENCIA: Para reducir el riesgo de lesiones personales graves, **NO toque las partes cortantes de la hoja con los dedos o las manos al realizar tareas de mantenimiento.**

NO utilice lubricantes o limpiadores (especialmente pulverizadores o aerosoles) cerca del protector de plástico. El policarbonato utilizado para el protector puede ser corroído por ciertos productos químicos.

1. Todos los rodamientos están sellados. Están lubricados de por vida y no necesitan más mantenimiento.
2. Quite periódicamente el polvo y las astillas de madera de alrededor Y DEBAJO de la base y la mesa giratoria. Si bien hay ranuras para permitir que pasen los residuos, siempre se acumula algo de polvo.
3. Los cepillos están diseñados para durar varios años. Para cambiar los cepillos lleve la herramienta a reparar al centro de mantenimiento más cercano. En el embalaje de la herramienta encontrará las ubicaciones de los centros de mantenimiento.

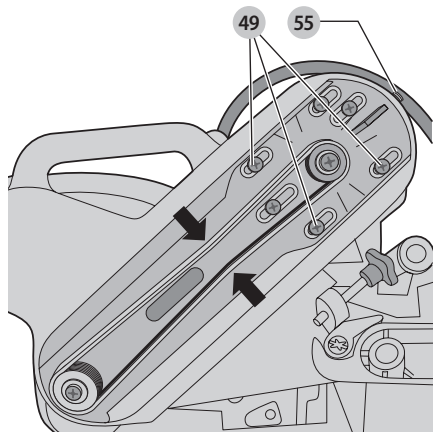
Retiro y Reemplazo de la Correa (Fig. Z)

La correa está diseñada para durar toda la vida útil de la herramienta. Sin embargo, el abuso de la herramienta podría provocar que falle la correa.

Si la hoja no se activa cuando el motor está funcionando, significa que la correa no funciona. Para inspeccionar o reemplazar la correa, retire los tornillos de la cubierta de la correa **49**. Retire la cubierta de la correa **55**. Inspeccione las costillas de la correa para ver si están desgastadas o fallan. Controle la tensión de la correa apretándola como se muestra en la Figura Z. Las mitades de la correa deberían casi tocarse cuando se las aprieta firmemente con el pulgar y el índice. Para ajustar la tensión afloje, pero no retire, los cuatro tornillos de cabeza de estrella mostrados. Luego rote el tornillo de sujeción que está en la parte superior de la placa del motor hasta lograr la tensión adecuada. Apriete los cuatro tornillos firmemente y reemplace la cubierta de la correa.

AVISO: Si la correa está excesivamente ajustada, puede provocar la falla prematura del motor.

Fig. Z



Limpeza

ADVERTENCIA: Sople la suciedad y el polvo de todos los conductos de ventilación con aire seco, al menos una vez por semana. Para reducir el riesgo de lesiones, utilice siempre protección para los ojos aprobada ANSI Z87.1 al realizar esta tarea.

ADVERTENCIA: Nunca utilice solventes ni otros químicos abrasivos para limpiar las piezas no metálicas de la herramienta. Estos productos químicos pueden debilitar los materiales plásticos utilizados en estas piezas. Utilice un paño humedecido sólo con agua y jabón neutro. Nunca permita que penetre líquido dentro de la herramienta ni sumerja ninguna de las piezas en un líquido.

Limpeza del Ducto de Polvo

Dependiendo de su medio ambiente de corte, el aserrín puede obstruir el ducto de polvo, puede prevenir que el polvo fluya correctamente hacia fuera de la zona de corte. Con la sierra desconectada y la cabeza de la sierra en su posición más alta, se pueden utilizar aire de baja presión o una barra de pasador de gran diámetro para limpiar el polvo del ducto de polvo.

Accesorios

ADVERTENCIA: Debido a que no se han probado con este producto otros accesorios que no sean los que ofrece DEWALT, el uso de dichos accesorios con esta herramienta podría ser peligroso. Para reducir el riesgo de lesiones, con este producto deben usarse sólo los accesorios recomendados por DEWALT.

Los accesorios que se recomiendan para utilizar con la herramienta están disponibles a un costo adicional en su distribuidor local o en un centro de mantenimiento autorizado. Si necesita ayuda para localizar algún accesorio, póngase en contacto con DEWALT Industrial Tool Co., 701 East Joppa Road, Towson, MD 21286, llame al 1-800-4-DEWALT (1-800-433-9258) o visite nuestro sitio web: www.dewalt.com.

Accesorios Opcionales

Los siguientes accesorios, diseñados para su sierra, pueden resultar útiles. Sea cuidadoso al seleccionar y utilizar los accesorios.

Soporte de extensión para piezas de trabajo: DW7080

Se utiliza para apoyar piezas sobresalientes de gran longitud; el soporte para tarea es ensamblado por el usuario. Su base para la sierra está diseñada para aceptar dos soportes para tareas, uno a cada lado.

Tope longitudinal regulable: DW7051

Requiere el uso de un soporte de extensión para piezas de trabajo (DW7080). Se utiliza para realizar cortes repetitivos de la misma longitud, de 0 cm a 107 cm (0" a 42").

Abrazadera: DW7082

Se utiliza para sujetar firmemente la pieza de trabajo a la mesa de la sierra y así lograr cortes de precisión.

Bolsa para polvo: DW7053

Equipada con cierre para permitir su práctico vaciado, la bolsa para polvo recoge la mayor parte del aserrín generado.

Reborde para molduras de corona: DW7084

Se utiliza para el corte preciso de molduras de corona.

Hojas de Sierra

SIEMPRE UTILICE HOJAS DE SIERRA DE 305 mm (12") CON ORIFICIOS PARA MANDRIL DE 25,4 mm (1"). LA VELOCIDAD DEBE SER DE AL MENOS 4800 RPM. Nunca use hojas de menor diámetro. No estarán adecuadamente protegidas. Sólo use hojas de corte transversal. No use hojas diseñadas para cortes longitudinales, hojas de combinación u hojas con ángulos de gancho superiores a 7 grados.

DESCRIPCIONES DE LAS HOJAS		
APLICACIÓN	DIÁMETRO	DIENTES
Hojas de sierra para la construcción (máximo grosor delgado con aro anti-varilla)		
Propósito general	305 mm (12")	32/40
Excelentes cortes transversales	305 mm (12")	60
Hojas de sierra para carpintería (producen cortes limpios y parejos)		
Excelentes cortes transversales	305 mm (12")	80
Metales no ferrosos	305 mm (12")	80

NOTA: Para cortar metales no ferrosos, use sólo hojas de sierra con dientes TCG diseñados para este tipo de trabajo.

Reparaciones

ADVERTENCIA: Para asegurar la SEGURIDAD y la CONFIABILIDAD del producto, las reparaciones, el mantenimiento y los ajustes (inclusive la inspección y el cambio de las escobillas, cuando proceda) deben ser realizados en un centro de mantenimiento en la fábrica DEWALT u en un centro de mantenimiento autorizado DEWALT. Utilice siempre piezas de repuesto idénticas.

PARA REPARACIÓN Y SERVICIO DE SUS HERRAMIENTAS ELÉCTRICAS, FAVOR DE DIRIGIRSE AL CENTRO DE SERVICIO MÁS CERCANO

CULIACAN, SIN

Bld. Emiliano Zapata 5400-1 Poniente Col. San Rafael (667) 717 89 99

GUADALAJARA, JAL

Av. La Paz #1779 - Col. Americana Sector Juárez (33) 3825 6978

MEXICO, D.F.

Eje Central Lázaro Cárdenas No. 18 - Local D, Col. Obrera (55) 5588 9377

MERIDA, YUC

Calle 63 #459-A - Col. Centro (999) 928 5038

MONTERREY, N.L.

Av. Francisco I. Madero 831 Poniente - Col. Centro (818) 375 23 13

PUEBLA, PUE

17 Norte #205 - Col. Centro (222) 246 3714

QUERETARO, QRO

Av. San Roque 274 - Col. San Gregorio (442) 2 17 63 14

SAN LUIS POTOSI, SLP

Av. Universidad 1525 - Col. San Luis (444) 814 2383

TORREON, COAH

Bld. Independencia, 96 Pte. - Col. Centro (871) 716 5265

VERACRUZ, VER

Prolongación Díaz Mirón #4280 - Col. Remes (229) 921 7016

VILLAHERMOSA, TAB

Constitución 516-A - Col. Centro (993) 312 5111

PARA OTRAS LOCALIDADES:

Si se encuentra en México, por favor llame al (55) 5326 7100

Si se encuentra en U.S., por favor llame al 1-800-433-9258 (1-800-4-DEWALT)

Póliza de Garantía

IDENTIFICACIÓN DEL PRODUCTO:

Sello o firma del Distribuidor.

Nombre del producto: _____

Mod./Cat.: _____

Marca: _____

Núm. de serie: _____

(Datos para ser llenados por el distribuidor)

Fecha de compra y/o entrega del producto:

Nombre y domicilio del distribuidor donde se adquirió el producto:

Este producto está garantizado por un año a partir de la fecha de entrega, contra cualquier defecto en su funcionamiento, así como en materiales y mano de obra empleados para su fabricación. Nuestra garantía incluye la reparación o reposición del producto y/o componentes sin cargo alguno para el cliente, incluyendo mano de obra, así como los gastos de transportación razonablemente erogados derivados del cumplimiento de este certificado.

Para hacer efectiva esta garantía deberá presentar su herramienta y esta póliza sellada por el establecimiento comercial donde se adquirió el producto, de no contar con ésta, bastará la factura de compra.

Excepciones

Esta garantía no será válida en los siguientes casos:

- Cuando el producto se hubiese utilizado en condiciones distintas a las normales;
- Cuando el producto no hubiese sido operado de acuerdo con el instructivo de uso que se acompaña;
- Cuando el producto hubiese sido alterado o reparado por personas distintas a las enlistadas al final de este certificado.

Anexo encontrará una relación de sucursales de servicio de fábrica, centros de servicio autorizados y franquiciados en la República Mexicana, donde podrá hacer efectiva su garantía y adquirir partes, refacciones y accesorios originales.

Registro en Línea

Gracias por su compra. Registre su producto ahora para:

- **SERVICIO EN GARANTÍA:** Si completa esta tarjeta, podrá obtener un servicio en garantía más eficiente, en caso de que exista un problema con su producto.
- **CONFIRMACIÓN DE PROPIEDAD:** En caso de una pérdida que cubra el seguro, como un incendio, una inundación o un robo, el registro de propiedad servirá como comprobante de compra.
- **PARA SU SEGURIDAD:** Si registra el producto, podremos comunicarnos con usted en el caso improbable que se deba enviar una notificación de seguridad conforme a la Federal Consumer Safety Act (Ley Federal de Seguridad de Productos para el Consumidor).

Registro en línea en www.dewalt.com/register.

Garantía Limitada por Tres Años

DEWALT reparará, sin cargo, cualquier falla que surja de defectos en el material o la fabricación del producto, por hasta tres años a contar de la fecha de compra. Esta garantía no cubre fallas de las piezas causadas por su desgaste normal o abuso a la herramienta. Para mayores detalles sobre la cobertura de la garantía e información acerca de reparaciones realizadas bajo garantía, visítenos en

www.dewalt.com o diríjase al centro de servicio más cercano. Esta garantía no aplica a accesorios o a daños causados por reparaciones realizadas o intentadas por terceros. ESTA GARANTÍA LIMITADA SE OTORGA EN VEZ DE TODAS LAS DEMÁS, INCLUIDA LA GARANTÍA IMPLÍCITA DE COMERCIABILIDAD Y APTITUD PARA UN FIN PARTICULAR, Y EXCLUYE TODOS LOS DAÑOS INCIDENTALES O CONSECUENTES. Algunos estados no permiten limitaciones sobre la duración de una garantía implícita, o la exclusión o limitación de daños incidentales o consecuentes, así que estas limitaciones pueden no aplicarse a usted. Esta garantía le otorga derechos legales específicos, además de los cuales usted puede tener otros derechos dependiendo del estado o la provincia en que se encuentre.

Además de la garantía, las herramientas DEWALT están cubiertas por:

1 AÑO DE SERVICIO GRATUITO

DEWALT mantendrá la herramienta y reemplazará las piezas gastadas por su uso normal, sin cobro, en cualquier momento durante un año a contar de la fecha de compra.

GARANTÍA DE REEMBOLSO DE SU DINERO POR 90 DÍAS

Si no está completamente satisfecho con el desempeño de su máquina herramienta, láser o clavadora DEWALT, cualquiera sea el motivo, podrá devolverlo hasta 90 días de la fecha de compra con su recibo y obtener el reembolso completo de su dinero – sin necesidad de responder a ninguna pregunta.

AMÉRICA LATINA: Esta garantía no se aplica a los productos que se venden en América Latina. Para los productos que se venden en América Latina, debe consultar la información de la garantía específica del país que viene en el empaque, llamar a la compañía local o visitar el sitio Web a fin de obtener esa información.

REEMPLAZO GRATUITO DE LAS ETIQUETAS DE ADVERTENCIAS: Si sus etiquetas de advertencia se vuelven ilegibles o faltan, llame al 1-800-433-9258 (1-800-4-DEWALT) para que se le reemplacen gratuitamente.

ESPECIFICACIONES

	DWS779
Tensión de alimentación	120 V AC
Consumo de corriente	15 A
Frecuencia de alimentación	60 Hz
Potencia de entrada :	1 600W
Rotación sin carga	3800/min

Solamente para propósito de México:

Importado por: DEWALT Industrial Tool Co. S.A. de C.V.

Avenida Antonio Dovali Jaime, # 70 Torre B Piso 9

Colonia La Fe, Santa Fé

Código Postal : 01210

Delegación Álvaro Obregón

México D.F.

Tel. (52) 555-326-7100

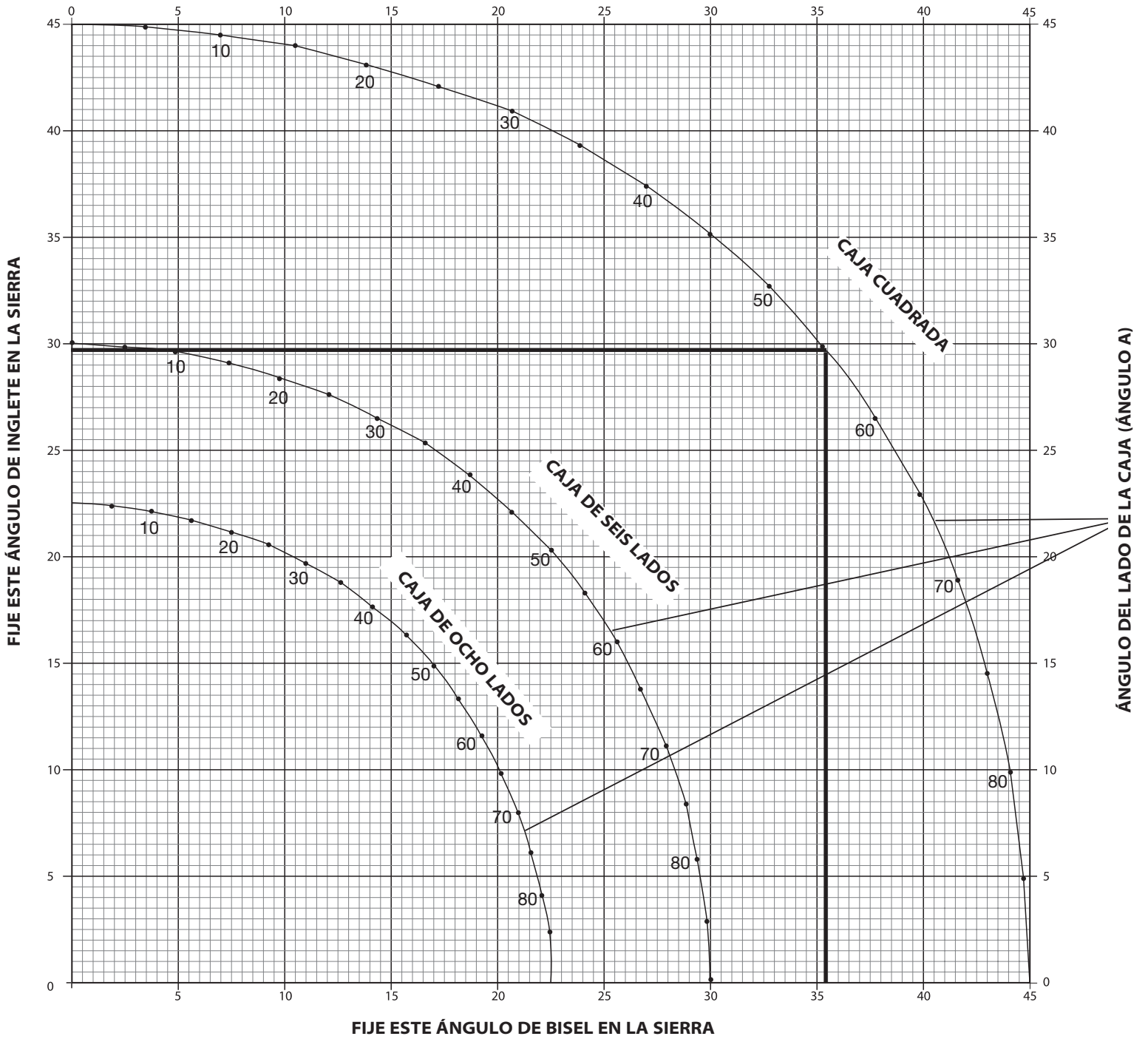
R.F.C.: BDE810626-1W7

Guía para Solucionar Problemas

ASEGÚRESE DE SEGUIR LAS REGLAS E INSTRUCCIONES DE SEGURIDAD

PROBLEMA:	¿QUÉ SUCEDE?	QUÉ HACER
La sierra no se enciende	La sierra no está enchufada	Enchufe la sierra.
	Fusible quemado o interruptor automático activado	Reemplace el fusible o reinicie el interruptor automático.
	Cable dañado	Haga cambiar el cable por el centro de mantenimiento autorizado.
	Cepillos gastados	Haga reemplazar los cepillos por el centro de mantenimiento autorizado.
La sierra realiza cortes no satisfactorios	Hoja sin filo	Reemplace la hoja. Consulte Cambio o Instalación de una Hoja de Sierra Nueva.
	Hoja montada al revés	Vire la hoja. Consulte Cambio o Instalación de una Hoja de Sierra Nueva.
	Depósitos de goma o grumos de resina sobre la hoja	Retire la hoja y límpiela con aguarrás y lana de acero gruesa o limpiador para hornos hogareños.
	Hoja incorrecta para el trabajo que se realiza	Cambie el tipo de hoja. Consulte Hojas Para Sierras en Accesorios.
La hoja no alcanza velocidad	Cable prolongador demasiado liviano o demasiado largo	Reemplácelo por un cable de tamaño adecuado. Consulte en Normas de Seguridad Adicionales de las Sierras Ingleteadoras.
	Baja corriente en el hogar	Comuníquese con la empresa de energía eléctrica.
La máquina vibra excesivamente	La sierra no está montada firmemente en el soporte o banco de trabajo	Apriete todos los tornillos de montaje. Consulte Montaje en el Banco de Trabajo.
	El soporte o el banco están sobre un piso desparejo	Reubique sobre una superficie de nivel plano. Consulte Familiarizarse.
	Hoja de sierra dañada	Reemplace la hoja. Consulte Cambio o Instalación de una Hoja de Sierra Nueva.
No realiza cortes de inglete precisos	La escala de inglete no está correctamente regulada	Verifique y regule. Consulte las Regulación de la Escala de Inglete en Montaje y Ajustes.
	La hoja no está en escuadra con el reborde	Verifique y regule. Consulte las Regulación de la Escala de Inglete en Montaje y Ajustes.
	La hoja no está perpendicular a la mesa	Verifique y ajuste el reborde. Consulte las Bisel a Escuadra con la Mesa en Montaje y Ajustes.
	La pieza de trabajo se mueve	Sujete la pieza de trabajo al reborde o engome un papel de lija de 120 al reborde con cemento para caucho.
El material muerde la hoja	Cortes de material curvado	Consulte las Material Curvado en Cortes Especiales.

TABLA 1: CORTE DE INGLETE COMPUESTO
(UBIQUE LA MADERA CON EL LADO PLANO ANCHO SOBRE LA MESA Y EL BORDE ANGOSTO CONTRA EL REBORDE)



DeWALT Industrial Tool Co., 701 East Joppa Road, Towson, MD 21286
(JUN20) Part No. N877296 DWS779 Copyright © 2018, 2019, 2020 DeWALT

The following are trademarks for one or more DeWALT power tools: the yellow and black color scheme, the "D" shaped air intake grill, the array of pyramids on the handgrip, the kit box configuration, and the array of lozenge-shaped humps on the surface of the tool.