

DEWALT®



**Instruction Manual
Guide D'utilisation
Manual de instrucciones**

DWX726

Rolling Miter Saw Stand

Plate-forme mobile pour scie à onglet

Base de soporte rodante para sierra para corte de ingletes

www.DEWALT.com

**If you have questions or comments, contact us.
Pour toute question ou tout commentaire, nous contacter.
Si tiene dudas o comentarios, contáctenos.**

1-800-4-DEWALT

English (**original instructions**)

1

French (*traduction de la notice d'instructions originale*)

9

Spanish (*traducido de las instrucciones originales*)

17

DWX726 ROLLING MITER SAW STAND

WARNING: To reduce the risk of serious personal injury, turn tool off and disconnect tool from power source before installing and removing accessories, before adjusting or changing set-ups or when making repairs. An accidental start-up can cause injury.

Components (Fig. A)

WARNING: Never modify the stand or any part of it. Damage or personal injury could result.

1. Mounting rails
2. Foot
3. Wheels
4. Leg extension
5. Hex wrench
6. Vertical lock knobs
7. Horizontal lock knobs
8. Handle
9. Work support extension arm
10. Work support
11. Stop plate
12. Activating lever

Hardware bag 1:

13. Axles (2)
14. Bushings (2)
15. Washers (4)
16. Nuts (2)

Hardware bag 2:

17. M8 x 16 mm button head screws (4)
18. Curved washers (4)
19. M6 x 10 mm button head screw (1)
20. M6 lock washer (1)
21. M8 x 21 mm button head screw with thread locking patch (1)
22. M8 lock washer (1)

Tools Required for Assembly

- Hex wrench **5** (supplied, comes in the wrench storage location in the corner of the stand)
- Adjustable wrench
- 1/2 inch open end wrench
- 3/4 inch open end wrench
- Wire cutting pliers

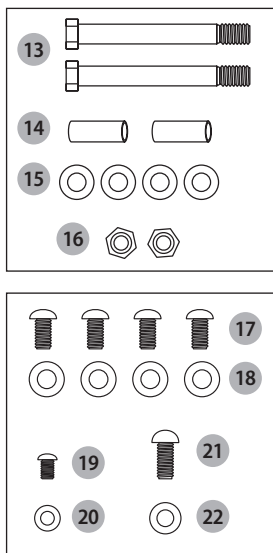
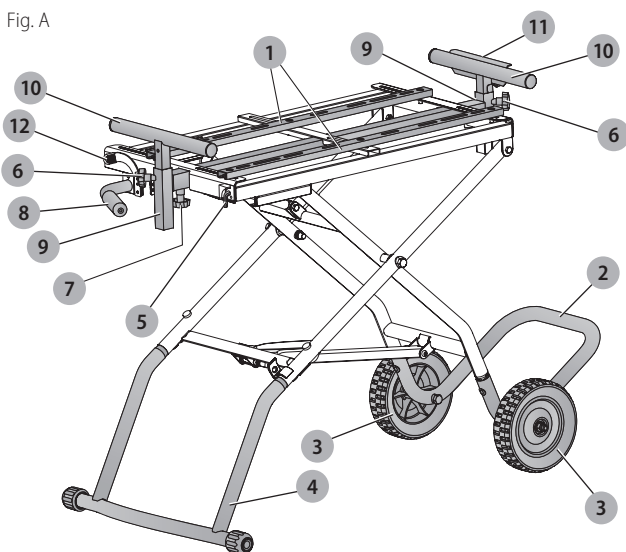


Fig. A







IF YOU HAVE ANY QUESTIONS OR COMMENTS ABOUT THIS OR ANY DeWALT TOOL, CALL US TOLL FREE AT: **1-800-4-DeWALT (1-800-433-9258)**.





This rolling miter saw stand is a stand designed to accommodate most miter saws and to provide portability for those units, both in the field and in the shop. If you have any problem with alignment or mounting, call **1-800-4-DeWALT (1-800-433-9258)**.

Definitions: Safety Alert Symbols and Words

This instruction manual uses the following safety alert symbols and words to alert you to hazardous situations and your risk of personal injury or property damage.

-  **DANGER:** Indicates an imminently hazardous situation which, if not avoided, **will** result in **death or serious injury**.
-  **WARNING:** Indicates a potentially hazardous situation which, if not avoided, **could** result in **death or serious injury**.
-  **CAUTION:** Indicates a potentially hazardous situation which, if not avoided, **may** result in **minor or moderate injury**.
-  (Used without word) Indicates a safety related message.
- NOTICE:** Indicates a practice **not related to personal injury** which, if not avoided, **may** result in **property damage**.

SAFETY RULES

-  **WARNING:** For your own safety, read the tool instruction manual before using any accessory. Failure to heed these warnings may result in personal injury and serious damage to the tool and the accessory. When servicing this tool, use only identical replacement parts.
 -  **WARNING:** Failure to follow these rules may result in serious personal injury.
 -  **WARNING:** To reduce the risk of injury, keep both hands on handle when raising and lowering the stand. The stand has gas assist lifting and may raise unexpectedly when lever is released.
 - **This product was designed to be used as a stand for miter saws.** The stand will support up to 300 lbs (136 kg). Any misuse or abuse can result in product damage or personal injury.
 - **Do not stand on the work table.** It is unsafe to climb, sit or stand on the stand. Do not use the support extensions as a ladder or scaffolding.
 - **Properly secure the miter saw to the stand before operation.** Follow the mounting instructions carefully.
- Fasten the tool to the saw mounting rails securely as instructed.
- **Place the stand on a flat and level surface to prevent rocking or tipping.**
 - **Take care during the raising and lowering of the product to reduce the hazard of pinching hands and fingers.**
 - **Check the legs and other supports to see that they are properly locked in place before operation.**
 - **Do not modify or use the stand for any operation for which it is not intended.**
 - **ALWAYS** use eye protection. All users and bystanders must wear eye protection that conforms to ANSI Z87.1.
-  **WARNING: ALWAYS** use safety glasses. Everyday eyeglasses are NOT safety glasses. Also use face or dust mask if cutting operation is dusty. **ALWAYS WEAR CERTIFIED SAFETY EQUIPMENT:**
 - ANSI Z87.1 eye protection (CAN/CSA Z94.3),
 - ANSI S13.6 (S3.20) hearing protection,
 - NIOSH/OSHA/MSHA respiratory protection.

ASSEMBLY


1. **WARNING: PINCH AND IMPACT HAZARD.** Do not cut the large securing cable ties ( Fig. B) until instructed to do so later in the manual. The spring loaded mechanism is under tension and can open unexpectedly, with high force. To reduce the risk of serious personal injury, do not raise or lower stand until the assembly is complete.

Fig. B

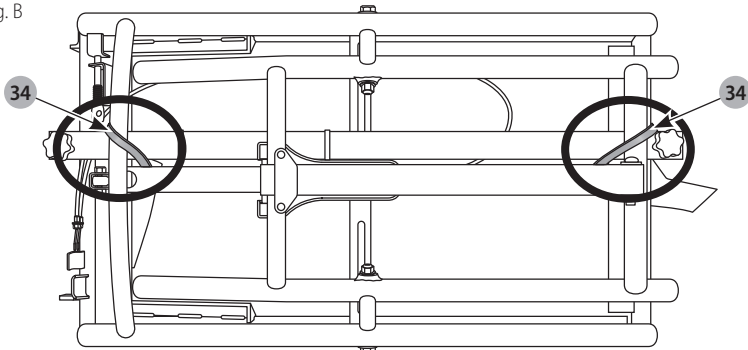


Fig. C

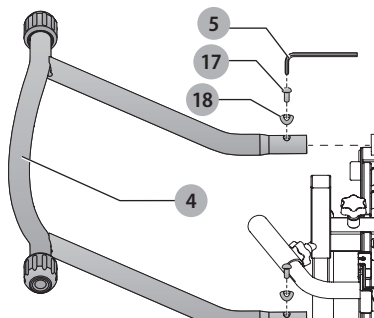


Fig. D

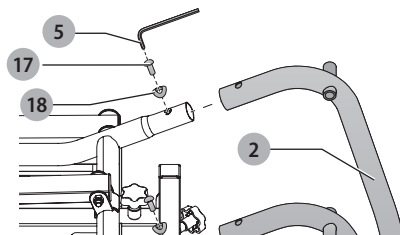


Fig. E

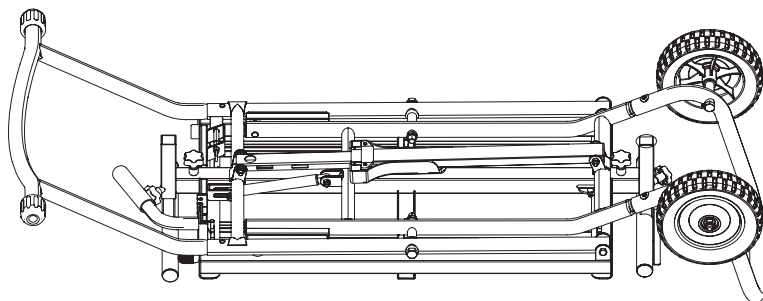


Fig. F

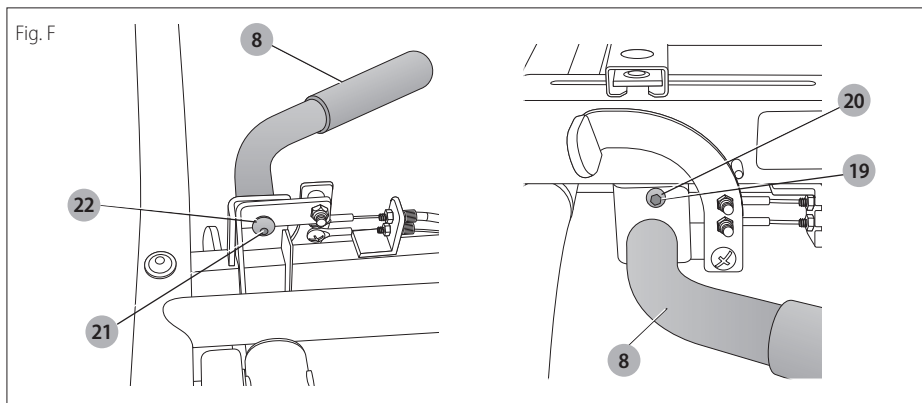
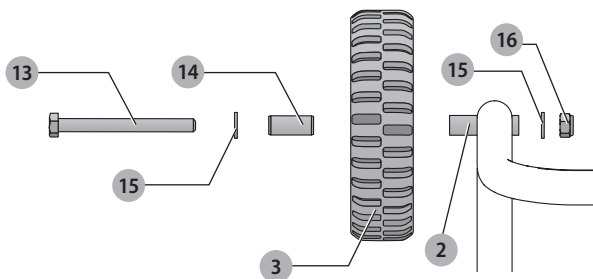


Fig. G

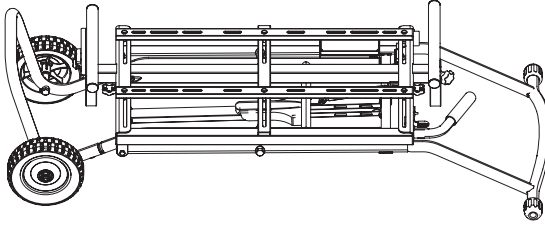


ATTACHING THE TOOL (FIG. A, H-K)

⚠ WARNING: STABILITY HAZARD. Refer to your tool manufacturer's instructions regarding the securing of your miter saw to a stand or supporting surface. Secure the tool according to both the instructions in this manual and those in your tool manufacturer's manual before operating. Failure to heed these warnings may result in serious personal injury and serious damage to the tool.

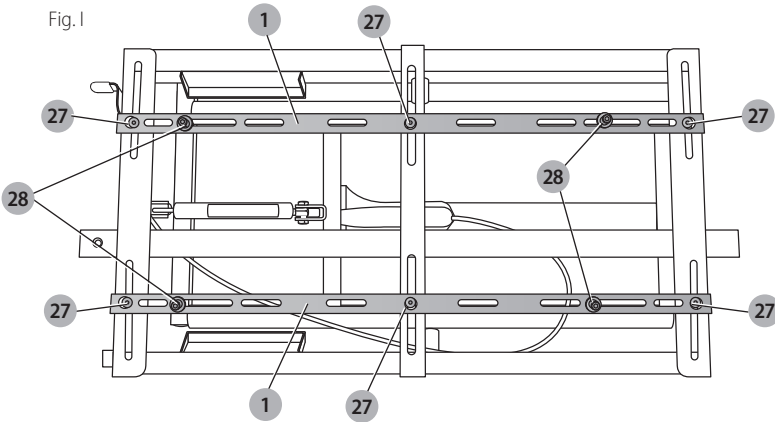
1. Turn the stand right side up and leave stand in closed position before attaching the saw.

Fig. H



2. Loosen the 6 rail screws **27** with the supplied hex wrench. Remove the four mounting bolts/flat washers **28** from the mounting rails **1**.

Fig. I



3. Slide the mounting rails **1** to fit the width of the tool.
4. Place miter saw on the mounting rails **1**. Center the tool, both forward and backward and side to side, on the stand (Fig. K).
5. Ensure the mounting holes **29** in the tool's feet align with the rail (Fig. J).
6. Insert the mounting bolts/flat washers **28** (removed in STEP 2) through each of the tool's feet into the captured nut **32**. Tighten securely.
7. Once the saw is tight to the rails, tighten the rail screws **27** loosened in STEP 2.

Fig. J

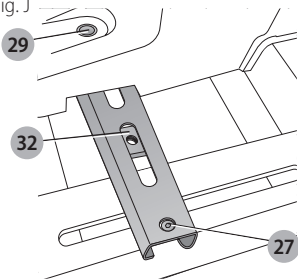
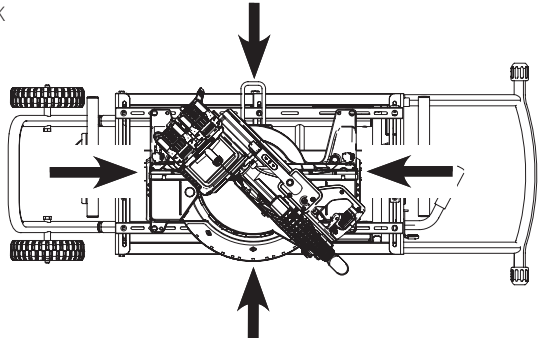


Fig. K



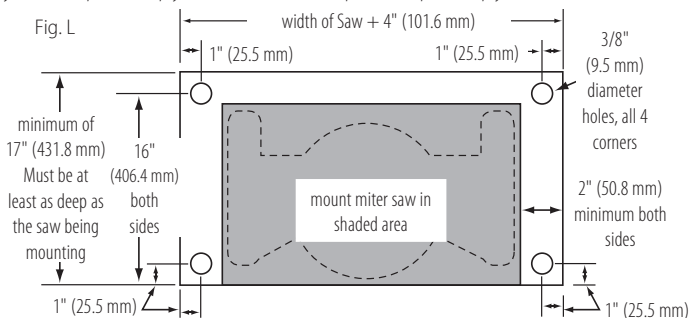
If your saw does not readily fit the mounting rails:

IMPORTANT: The miter saw MUST be positioned so the tool is bolted squarely to the mounting rails. If this is not possible, please call 1-800-4-DeWALT (1-800-433-9258) for technical assistance.

WARNING: STABILITY HAZARD. If the tool's mounting holes do not line up with the slots in the mounting rails, mount the miter saw to a piece of 3/4" (19 mm) plywood (See Figure L for dimensions). The plywood must be a minimum of 4" (101.6 mm) wider than the tool base being mounted and a minimum depth of 17" (431.8 mm). Plywood must be at least as deep as the tool base being mounted. Drill 3/8" (9.5 mm) holes near both ends of the plywood to align with the slots in the mounting rails as described in **Attaching the Tool**. Other hardware (not supplied) may be necessary under these circumstances.

WARNING: STABILITY HAZARD. All purchased hardware must be a minimum of Grade 2. Hardware should be 1-1/4" (31.8 mm) longer than the thickness of the tool base you are assembling.

NOTICE: To prevent binding and/or inaccuracy, ensure the plywood is not warped or uneven. If binding and/or inaccuracy occurs, replace the plywood with a non-warped, even piece of plywood.



TO RAISE AND LOWER THE STAND (FIG. A, M, O)

WARNING: PINCH AND IMPACT HAZARD. The spring loaded mechanism is under tension and can open unexpectedly, with high force.

1. Turn the stand right side up on the floor.

IMPORTANT: Stand must be right side up when cutting white cable ties **34**.

Fig. M

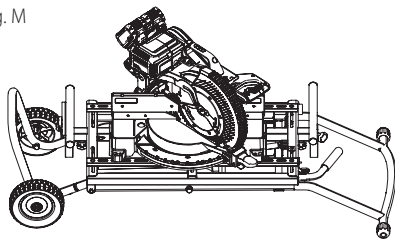
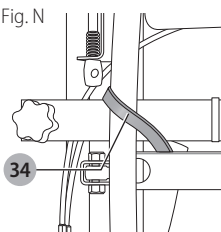


Fig. N



2. While holding down on the top of the stand frame, use wire cutting pliers to cut the white cable ties.

IMPORTANT: DO NOT cut the black cable ties securing the cables that open the stand.

3. Place one foot on the bottom of the leg extension **4**. Hold the handle down with one hand, push the red activating lever **12** to disengage the latching mechanism.
4. Lift the handle **8** with both hands.

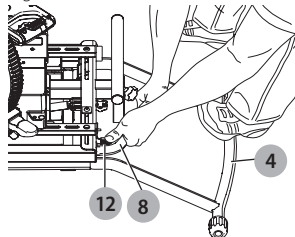
The stand has three positions: closed, fully extended and intermediate

To Reach the Intermediate Position:

Lift up on the handle and slowly raise the stand. The stand will stop at the intermediate position. Release the lever.

NOTE: When in the intermediate position, the stand will lower slightly when a tool is placed on it. The intermediate position does not lock against upward motion. The stand relies on the weight of the tool to remain in the intermediate position.

Fig. O



ENGLISH

To Fully Extend Stand:

Start in the intermediate position. Repeat STEPS 3–4. Lift up on the handle and raise the stand to the fully extended position. The stand will latch in the fully extended position. Release the lever.

To Close Stand :

Repeat STEPS 3–4. You must lift up on the handle and then push down until the stand is closed. Release the lever.

IMPORTANT: Lift the handle first to disengage latch before able to lower stand.

ATTACHING THE EXTENSION ARMS AND WORK SUPPORTS (FIG. A, P, Q)

IMPORTANT: Be sure the longer side of the "T" in the work support arm 9 is oriented down as shown in Figure I. Ensure the arrow on the label points down.

1. Insert the long work support arm with the small black cap (24, Fig. P) into the hole (25) of the stand closest to the red activating lever. Push the arm in to snap in place.
2. Repeat for other work support arm on opposite end. Push the arm in to snap in place. Tighten the horizontal locking knobs to secure.
3. With the stand raised to desired height, insert the work support (10) into the top of the extension arm (9) hole. The threaded hole in the work support should be facing outward.
4. Insert the vertical locking knob (6) into the side hole of the work support arm.
5. Tighten the vertical lock knob (6).
6. Repeat with the other work support.

NOTE: The internal locking mechanism keeps the work support arm from disengaging.

Attaching the Stop Plate

1. Align the slot in the stoping plate (11) with the outward facing threaded hole of the work support (10).

NOTE: The stopping plate can be attached to either work support.

2. Secure the stop plate to work support by installing and tightening knob shown in figure J.

PRODUCT STABILITY TEST (Fig. R, S)

IMPORTANT: This test must be performed prior to using stand and saw together.

The rolling miter saw stand is designed to be used in conjunction with a wide variety of miter saws, compound miter saws and sliding compound miter saws.

WARNING: For your own safety, use two or more people to perform the stability test or serious injury could result.

WARNING: The cutting head **MUST** be raised on all miter saws, compound miter saws and sliding compound miter saws. All sliding compound miter saws **MUST** be locked in the rear position. Failure to do so may result in serious personal injury.

WARNING: **STABILITY HAZARD. Stay alert. The stand may tip during this procedure. Serious injury may result.**

1. With one person in front of saw/stand and one person in back of saw/stand, both ready to catch saw, the person in front lifts the front legs approximately 2.5" (63.5 mm) and then lets it go, dropping it.
Does stand tend to tip over toward front?
If so, re-adjust saw further back on stand and retighten fasteners.
2. The person in back lifts rear legs approximately 2.5" (63.5 mm) and drops it.
Does stand tend to tip over toward back?
If so, readjust saw toward front of stand and retighten fasteners.

Fig. P

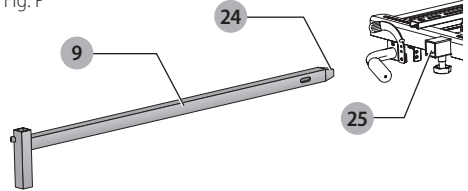


Fig. Q

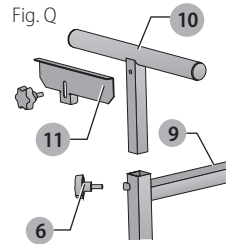


Fig. R

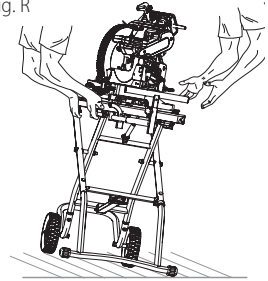
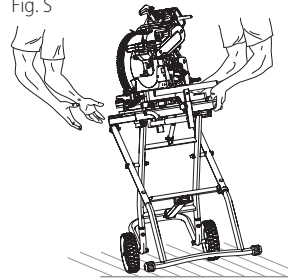
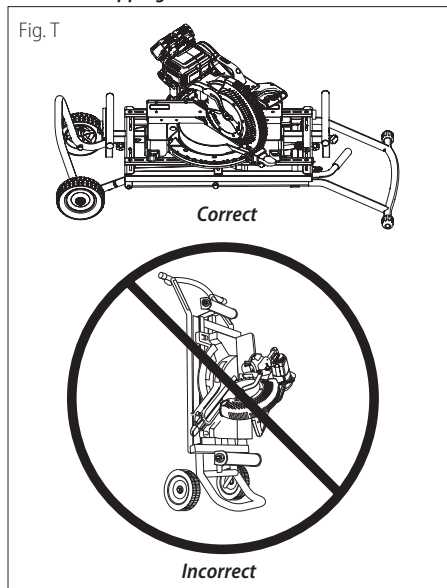


Fig. S



Storage and Transportation

- !** **WARNING: TIPPING HAZARD.** The stand may tip when storing or transporting the stand in the vertical position. Transport or store the stand in the horizontal position to reduce the risk of the stand tipping.



Cleaning

- !** **WARNING:** Blow dirt and dust out of all air vents with clean, dry air at least once a week. To minimize the risk of eye injury, always wear ANSI Z87.1 approved eye protection when performing this.
- !** **WARNING:** Never use solvents or other harsh chemicals for cleaning the non-metallic parts of the tool. These chemicals may weaken the plastic materials used in these parts. Use a cloth dampened only with water and mild soap. Never let any liquid get inside the tool; never immerse any part of the tool into a liquid.

Accessories

- !** **WARNING:** Since accessories, other than those offered by DeWALT, have not been tested with this product, use of such accessories with this tool could be hazardous. To reduce the risk of injury, only DeWALT recommended accessories should be used with this product.

Recommended accessories for use with your tool are available at extra cost from your local dealer or authorized service center. If you need assistance in locating any accessory, please contact DeWALT Industrial Tool Co., 701 East Joppa Road, Towson, MD 22286, call 1-800-4-DeWALT (1-800-433-9258) or visit our website: www.dewalt.com.

Repairs

- !** **WARNING:** To assure product SAFETY and RELIABILITY, repairs, maintenance and adjustment (including brush inspection and replacement) should be performed by a DeWALT factory service center or a DeWALT authorized service center. Always use identical replacement parts.

Register Online

Thank you for your purchase. Register your product now for:

- **WARRANTY SERVICE:** Registering your product will help you obtain more efficient warranty service in case there is a problem with your product.
- **CONFIRMATION OF OWNERSHIP:** In case of an insurance loss, such as fire, flood or theft, your registration of ownership will serve as your proof of purchase.
- **FOR YOUR SAFETY:** Registering your product will allow us to contact you in the unlikely event a safety notification is required under the Federal Consumer Safety Act.

Register online at www.dewalt.com/register.

Three Year Limited Warranty

DeWALT will repair, without charge, any defects due to faulty materials or workmanship for three years from the date of purchase. This warranty does not cover part failure due to normal wear or tool abuse. For further detail of warranty coverage and warranty repair information, visit www.dewalt.com or call 1-800-4-DeWALT (1-800-433-9258). This warranty does not apply to accessories or damage caused where repairs have been made or attempted by others. This warranty gives you specific legal rights and you may have other rights which vary in certain states or provinces.

In addition to the warranty, DeWALT tools are covered by our:

1 YEAR FREE SERVICE


DeWALT will maintain the tool and replace worn parts caused by normal use, for free, any time during the first year after purchase.

90 DAY MONEY BACK GUARANTEE

If you are not completely satisfied with the performance of your DeWALT Power Tool, Laser, or Nailer for any reason, you can return it within 90 days from the date of purchase with a receipt for a full refund – no questions asked.

LATIN AMERICA: This warranty does not apply to products sold in Latin America. For products sold in Latin America, see country specific warranty information contained in the packaging, call the local company or see website for warranty information.

FREE WARNING LABEL REPLACEMENT: If your warning labels become illegible or are missing, call 1-800-4-DeWALT (1-800-433-9258) for a free replacement.

<p>AVVERTENZA LEGGERE ATTENTAMENTE IL MANUALE D'ISTRUZIONI. IL MANUALE D'ISTRUZIONI CONTIENE INFORMAZIONI IMPORTANTI PER IL CORRETTO FUNZIONAMENTO E LA SICUREZZA. LEGGERE IL MANUALE D'ISTRUZIONI PRIMA DI USARE L'APPARECCHIO. IL MANUALE D'ISTRUZIONI È DISPONIBILE IN ITALIANO, IN INGLESE, IN SPAGNOL E IN FRANCESE. PER INFORMAZIONI SULLA LOCALITÀ DI VENDITA, IL MANUALE D'ISTRUZIONI, IL MANUALE DI RICAMBIO O PER INFORMAZIONI SULLA SICUREZZA, VISITATE IL SITO WEB www.dewalt.com. AVVERTENCIA LEER CUIDADAMENTE EL MANUAL DE INSTRUCCIONES. EL MANUAL DE INSTRUCCIONES CONTIENE INFORMACIÓN IMPORTANTE PARA EL CORRECTO FUNCIONAMIENTO Y LA SEGURIDAD. LEER EL MANUAL DE INSTRUCCIONES ANTES DE USAR EL EQUIPO. EL MANUAL DE INSTRUCCIONES ESTÁ DISPONIBLE EN ITALIANO, EN INGLÉS, EN ESPAÑOL Y EN FRANCÉS. PARA OBTENER INFORMACIÓN SOBRE EL PUNTO DE VENTA, EL MANUAL DE INSTRUCCIONES, EL MANUAL DE REEMPLAZO O PARA OBTENER INFORMACIÓN SOBRE LA SEGURIDAD, VISITE EL SITIO WEB www.dewalt.com. ATTENTION LIREZ ATTENTIVEMENT LE MANUEL D'INSTRUCTIONS. LE MANUEL D'INSTRUCTIONS CONTIEN DES INFORMATIONS IMPORTANTES POUR LE BON FONCTIONNEMENT ET LA SECURITE. LIREZ LE MANUEL D'INSTRUCTIONS AVANT D'UTILISER L'APPAREIL. LE MANUEL D'INSTRUCTIONS EST DISPONIBLE EN ITALIEN, EN ANGLAIS, EN ESPAGNOL ET EN FRANCAIS. POUR OBTENIR DES INFORMATIONS SUR LE POINT DE VENTE, LE MANUEL D'INSTRUCTIONS, LE MANUEL DE REMPLACEMENT OU POUR OBTENIR DES INFORMATIONS SUR LA SECURITE, VISITEZ LE SITE WEB www.dewalt.com. ATTENZIONE LEGGERE ATTENTAMENTE IL MANUALE D'ISTRUZIONI. IL MANUALE D'ISTRUZIONI CONTIENE INFORMAZIONI IMPORTANTI PER IL CORRETTO FUNZIONAMENTO E LA SICUREZZA. LEGGERE IL MANUALE D'ISTRUZIONI PRIMA DI USARE L'APPARECCHIO. IL MANUALE D'ISTRUZIONI È DISPONIBILE IN ITALIANO, IN INGLESE, IN SPAGNOL E IN FRANCESE. PER INFORMAZIONI SULLA LOCALITÀ DI VENDITA, IL MANUALE D'ISTRUCCIONE, IL MANUALE DI RICAMBIO O PER INFORMAZIONI SULLA SICUREZZA, VISITATE IL SITO WEB www.dewalt.com.</p>	<p>WARNING READ AND UNDERSTAND ALL WARNINGS, INSTRUCTIONS, AND SAFETY INFORMATION BEFORE USING THIS TOOL. FAILURE TO DO SO MAY RESULT IN SERIOUS INJURY OR DEATH. CAUTION FOR SAFE OPERATION, ARROW MUST POINT DOWNWARD. ATTENTION POUR ASSURER UNE UTILISATION SÛRE, LA FLÈCHE DOIT PONTER VERS LE BAS. ATENCIÓN PARA UN FUNCIONAMIENTO O SEGURO, LA FLECHA DEBE APUNTAR HACIA ABAJO. </p>	<p>AVVERTIMENTO LEGGERE ATTENTAMENTE IL MANUALE D'ISTRUZIONI. IL MANUALE D'ISTRUZIONI CONTIENE INFORMAZIONI IMPORTANTI PER IL CORRETTO FUNZIONAMENTO E LA SICUREZZA. LEGGERE IL MANUALE D'ISTRUZIONI PRIMA DI USARE L'APPARECCHIO. IL MANUALE D'ISTRUZIONI È DISPONIBILE IN ITALIANO, IN INGLESE, IN SPAGNOL E IN FRANCESE. PER INFORMAZIONI SULLA LOCALITÀ DI VENDITA, IL MANUALE D'ISTRUCCIONE, IL MANUALE DI RICAMBIO O PER INFORMAZIONI SULLA SICUREZZA, VISITATE IL SITO WEB www.dewalt.com. AVVERTENCIA LEER CUIDADAMENTE EL MANUAL DE INSTRUCCIONES. EL MANUAL DE INSTRUCCIONES CONTIENE INFORMACIÓN IMPORTANTE PARA EL CORRECTO FUNCIONAMIENTO Y LA SEGURIDAD. LEER EL MANUAL DE INSTRUCCIONES ANTES DE USAR EL EQUIPO. EL MANUAL DE INSTRUCCIONES ESTÁ DISPONIBLE EN ITALIANO, EN INGLÉS, EN ESPAÑOL Y EN FRANCÉS. PARA OBTENIR INFORMACIÓN SOBRE EL PUNTO DE VENTA, EL MANUAL DE INSTRUCCIONES, EL MANUAL DE REMPLAZO O PARA OBTENIR INFORMACIÓN SOBRE LA SEGURIDAD, VISITE EL SITIO WEB www.dewalt.com. ATTENTION LIREZ ATTENTIVEMENT LE MANUEL D'INSTRUCTIONS. LE MANUEL D'INSTRUCTIONS CONTIEN DES INFORMATIONS IMPORTANTES POUR LE BON FONCTIONNEMENT ET LA SECURITE. LIREZ LE MANUEL D'INSTRUCTIONS AVANT D'UTILISER L'APPAREIL. LE MANUEL D'INSTRUCTIONS EST DISPONIBLE EN ITALIEN, EN ANGLAIS, EN ESPAGNOL ET EN FRANCAIS. POUR OBTENIR DES INFORMATIONS SUR LE POINT DE VENTE, LE MANUEL D'INSTRUCTIONS, LE MANUEL DE REMPLACEMENT OU POUR OBTENIR DES INFORMATIONS SUR LA SECURITE, VISITEZ LE SITE WEB www.dewalt.com. ATTENZIONE LEGGERE ATTENTAMENTE IL MANUALE D'ISTRUZIONI. IL MANUALE D'ISTRUZIONI CONTIENE INFORMAZIONI IMPORTANTI PER IL CORRETTO FUNZIONAMENTO E LA SICUREZZA. LEGGERE IL MANUALE D'ISTRUZIONI PRIMA DI USARE L'APPARECCHIO. IL MANUALE D'ISTRUZIONI È DISPONIBILE IN ITALIANO, IN INGLESE, IN SPAGNOL E IN FRANCESE. PER INFORMAZIONI SULLA LOCALITÀ DI VENDITA, IL MANUALE D'ISTRUCCIONE, IL MANUALE DI RICAMBIO O PER INFORMAZIONI SULLA SICUREZZA, VISITATE IL SITO WEB www.dewalt.com.</p>	<p>WARNING CONTENTS UNDER PRESSURE. DO NOT OPEN FRONT OR REAR. AVVERTIMENTO CONTENUTI SOTTO PRESSIONE. NON APRIRE PRIMA O DENTRO. AVVERTENCIA CONTENIDO BAJO PRESIÓN. NO PERFORAR NI ABRIR EN FRENTE NI ATRÁS. ATTENZIONE CONTENUTI SOTTO PRESSIONE. NON PERFORARE, NON APRIRE IN FIANCO, NÉ DENTRO. ATTENZIONE CONTENUTI SOTTO PRESSIONE. NON PERFORARE, NON APRIRE IN FIANCO, NÉ DENTRO. ATTENCIÓN CONTENIDO BAJO PRESIÓN. NO PERFORAR NI ABRIR EN FRENTE NI ATRÁS. ATTENCIÓN CONTENUTI SOTTO PRESSIONE. NON PERFORARE, NON APRIRE IN FIANCO, NÉ DENTRO. ATTENCIÓN CONTENIDO BAJO PRESIÓN. NO PERFORAR NI ABRIR EN FRENTE NI ATRÁS. ATTENCIÓN CONTENUTI SOTTO PRESSIONE. NON PERFORARE, NON APRIRE IN FIANCO, NÉ DENTRO. DWX726 HOLLAND-WITEN SAW STAND SER. <input type="text"/> * NUMBER INDICATES TOOL (E.G., ATTACHED DRILL) AND TOOL KIT OR ACCESSORY (E.G., SAW) CALL 1-800-4-DEWALT / www.dewalt.com</p>
	<p>AVVERTIMENTO PRIMA DI IMPAGHIARE, LEGGERE IL MANUALE D'ISTRUZIONI. IL MANUALE D'ISTRUZIONI CONTIENE INFORMAZIONI IMPORTANTI PER IL CORRETTO FUNZIONAMENTO E LA SICUREZZA. LEGGERE IL MANUALE D'ISTRUZIONI PRIMA DI USARE L'APPARECCHIO. IL MANUALE D'ISTRUZIONI È DISPONIBILE IN ITALIANO, IN INGLESE, IN SPAGNOL E IN FRANCESE. PER INFORMAZIONI SULLA LOCALITÀ DI VENDITA, IL MANUALE D'ISTRUCCIONE, IL MANUALE DI RICAMBIO O PER INFORMAZIONI SULLA SICUREZZA, VISITATE IL SITO WEB www.dewalt.com. AVVERTENCIA LEER CUIDADAMENTE EL MANUAL DE INSTRUCCIONES. EL MANUAL DE INSTRUCCIONES CONTIENE INFORMACIÓN IMPORTANTE PARA EL CORRECTO FUNCIONAMIENTO Y LA SEGURIDAD. LEER EL MANUAL DE INSTRUCCIONES ANTES DE USAR EL EQUIPO. EL MANUAL DE INSTRUCCIONES ESTÁ DISPONIBLE EN ITALIANO, EN INGLÉS, EN ESPAÑOL Y EN FRANCÉS. PARA OBTENIR INFORMACIÓN SOBRE EL PUNTO DE VENTA, EL MANUAL DE INSTRUCCIONES, EL MANUAL DE REMPLAZO O PARA OBTENIR INFORMACIÓN SOBRE LA SEGURIDAD, VISITE EL SITIO WEB www.dewalt.com. ATTENTION LIREZ ATTENTIVEMENT LE MANUEL D'INSTRUCTIONS. LE MANUEL D'INSTRUCTIONS CONTIEN DES INFORMATIONS IMPORTANTES POUR LE BON FONCTIONNEMENT ET LA SECURITE. LIREZ LE MANUEL D'INSTRUCTIONS AVANT D'UTILISER L'APPAREIL. LE MANUEL D'INSTRUCTIONS EST DISPONIBLE EN ITALIEN, EN ANGLAIS, EN ESPAGNOL ET EN FRANCAIS. POUR OBTENIR DES INFORMATIONS SUR LE POINT DE VENTE, LE MANUEL D'INSTRUCTIONS, LE MANUEL DE REMPLACEMENT OU POUR OBTENIR DES INFORMATIONS SUR LA SECURITE, VISITEZ LE SITE WEB www.dewalt.com. ATTENZIONE LEGGERE ATTENTAMENTE IL MANUALE D'ISTRUZIONI. IL MANUALE D'ISTRUZIONI CONTIENE INFORMAZIONI IMPORTANTI PER IL CORRETTO FUNZIONAMENTO E LA SICUREZZA. LEGGERE IL MANUALE D'ISTRUZIONI PRIMA DI USARE L'APPARECCHIO. IL MANUALE D'ISTRUZIONI È DISPONIBILE IN ITALIANO, IN INGLESE, IN SPAGNOL E IN FRANCESE. PER INFORMAZIONI SULLA LOCALITÀ DI VENDITA, IL MANUALE D'ISTRUCCIONE, IL MANUALE DI RICAMBIO O PER INFORMAZIONI SULLA SICUREZZA, VISITATE IL SITO WEB www.dewalt.com.</p>	<p>AVVERTIMENTO PRIMA DI IMPAGHIARE, LEGGERE IL MANUALE D'ISTRUZIONI. IL MANUALE D'ISTRUZIONI CONTIENE INFORMAZIONI IMPORTANTI PER IL CORRETTO FUNZIONAMENTO E LA SICUREZZA. LEGGERE IL MANUALE D'ISTRUZIONI PRIMA DI USARE L'APPARECCHIO. IL MANUALE D'ISTRUZIONI È DISPONIBILE IN ITALIANO, IN INGLESE, IN SPAGNOL E IN FRANCESE. PER INFORMAZIONI SULLA LOCALITÀ DI VENDITA, IL MANUALE D'ISTRUCCIONE, IL MANUALE DI RICAMBIO O PER INFORMAZIONI SULLA SICUREZZA, VISITATE IL SITO WEB www.dewalt.com. AVVERTENCIA LEER CUIDADAMENTE EL MANUAL DE INSTRUCCIONES. EL MANUAL DE INSTRUCCIONES CONTIENE INFORMACIÓN IMPORTANTE PARA EL CORRECTO FUNCIONAMIENTO Y LA SEGURIDAD. LEER EL MANUAL DE INSTRUCCIONES ANTES DE USAR EL EQUIPO. EL MANUAL DE INSTRUCCIONES ESTÁ DISPONIBLE EN ITALIANO, EN INGLÉS, EN ESPAÑOL Y EN FRANCÉS. PARA OBTENIR INFORMACIÓN SOBRE EL PUNTO DE VENTA, EL MANUAL DE INSTRUCCIONES, EL MANUAL DE REMPLAZO O PARA OBTENIR INFORMACIÓN SOBRE LA SEGURIDAD, VISITE EL SITIO WEB www.dewalt.com. ATTENTION LIREZ ATTENTIVEMENT LE MANUEL D'INSTRUCTIONS. LE MANUEL D'INSTRUCTIONS CONTIEN DES INFORMATIONS IMPORTANTES POUR LE BON FONCTIONNEMENT ET LA SECURITE. LIREZ LE MANUEL D'INSTRUCTIONS AVANT D'UTILISER L'APPAREIL. LE MANUEL D'INSTRUCTIONS EST DISPONIBLE EN ITALIEN, EN ANGLAIS, EN ESPAGNOL ET EN FRANCAIS. POUR OBTENIR DES INFORMATIONS SUR LE POINT DE VENTE, LE MANUEL D'INSTRUCTIONS, LE MANUEL DE REMPLACEMENT OU POUR OBTENIR DES INFORMATIONS SUR LA SECURITE, VISITEZ LE SITE WEB www.dewalt.com. ATTENZIONE LEGGERE ATTENTAMENTE IL MANUALE D'ISTRUZIONI. IL MANUALE D'ISTRUZIONI CONTIENE INFORMAZIONI IMPORTANTI PER IL CORRETTO FUNZIONAMENTO E LA SICUREZZA. LEGGERE IL MANUALE D'ISTRUZIONI PRIMA DI USARE L'APPARECCHIO. IL MANUALE D'ISTRUZIONI È DISPONIBILE IN ITALIANO, IN INGLESE, IN SPAGNOL E IN FRANCESE. PER INFORMAZIONI SULLA LOCALITÀ DI VENDITA, IL MANUALE D'ISTRUCCIONE, IL MANUALE DI RICAMBIO O PER INFORMAZIONI SULLA SICUREZZA, VISITATE IL SITO WEB www.dewalt.com.</p>	<p>AVVERTIMENTO PRIMA DI IMPAGHIARE, LEGGERE IL MANUALE D'ISTRUZIONI. IL MANUALE D'ISTRUZIONI CONTIENE INFORMAZIONI IMPORTANTI PER IL CORRETTO FUNZIONAMENTO E LA SICUREZZA. LEGGERE IL MANUALE D'ISTRUZIONI PRIMA DI USARE L'APPARECCHIO. IL MANUALE D'ISTRUZIONI È DISPONIBILE IN ITALIANO, IN INGLESE, IN SPAGNOL E IN FRANCESE. PER INFORMAZIONI SULLA LOCALITÀ DI VENDITA, IL MANUALE D'ISTRUCCIONE, IL MANUALE DI RICAMBIO O PER INFORMAZIONI SULLA SICUREZZA, VISITATE IL SITO WEB www.dewalt.com. AVVERTENCIA LEER CUIDADAMENTE EL MANUAL DE INSTRUCCIONES. EL MANUAL DE INSTRUCCIONES CONTIENE INFORMACIÓN IMPORTANTE PARA EL CORRECTO FUNCIONAMIENTO Y LA SEGURIDAD. LEER EL MANUAL DE INSTRUCCIONES ANTES DE USAR EL EQUIPO. EL MANUAL DE INSTRUCCIONES ESTÁ DISPONIBLE EN ITALIANO, EN INGLÉS, EN ESPAÑOL Y EN FRANCÉS. PARA OBTENIR INFORMACIÓN SOBRE EL PUNTO DE VENTA, EL MANUAL DE INSTRUCCIONES, EL MANUAL DE REMPLAZO O PARA OBTENIR INFORMACIÓN SOBRE LA SEGURIDAD, VISITE EL SITIO WEB www.dewalt.com. ATTENTION LIREZ ATTENTIVEMENT LE MANUEL D'INSTRUCTIONS. LE MANUEL D'INSTRUCTIONS CONTIEN DES INFORMATIONS IMPORTANTES POUR LE BON FONCTIONNEMENT ET LA SECURITE. LIREZ LE MANUEL D'INSTRUCTIONS AVANT D'UTILISER L'APPAREIL. LE MANUEL D'INSTRUCTIONS EST DISPONIBLE EN ITALIEN, EN ANGLAIS, EN ESPAGNOL ET EN FRANCAIS. POUR OBTENIR DES INFORMATIONS SUR LE POINT DE VENTE, LE MANUEL D'INSTRUCTIONS, LE MANUEL DE REMPLACEMENT OU POUR OBTENIR DES INFORMATIONS SUR LA SECURITE, VISITEZ LE SITE WEB www.dewalt.com. ATTENZIONE LEGGERE ATTENTAMENTE IL MANUALE D'ISTRUZIONI. IL MANUALE D'ISTRUZIONI CONTIENE INFORMAZIONI IMPORTANTI PER IL CORRETTO FUNZIONAMENTO E LA SICUREZZA. LEGGERE IL MANUALE D'ISTRUZIONI PRIMA DI USARE L'APPARECCHIO. IL MANUALE D'ISTRUZIONI È DISPONIBILE IN ITALIANO, IN INGLESE, IN SPAGNOL E IN FRANCESE. PER INFORMAZIONI SULLA LOCALITÀ DI VENDITA, IL MANUALE D'ISTRUCCIONE, IL MANUALE DI RICAMBIO O PER INFORMAZIONI SULLA SICUREZZA, VISITATE IL SITO WEB www.dewalt.com.</p>

PLATEFORME DE SCIE À ONGLET MOBILE DWX726

⚠ AVERTISSEMENT : pour réduire le risque de blessures graves, éteindre l'outil et retirer le débrancher avant d'effectuer tout réglage et d'enlever ou d'installer tout accessoire. Un démarrage accidentel peut provoquer des blessures.

Description de l'établi (Fig. A)

⚠ AVERTISSEMENT : ne jamais modifier l'outil ni aucun de ses composants, car il y a risques de dommages corporels ou matériels.

1. Rails de fixation
2. Pied de rangement
3. Roues
4. Rallonge de pied
5. Clé hexagonale
6. Boutons de verrouillage vertical
7. Boutons de verrouillage horizontal
8. Poignée
9. Bras télescopique de support d'ouvrage
10. Support d'ouvrage
11. Plaque de butée
12. Levier d'activation

Sac de quincaillerie 1:

13. Essieux (2)
14. Bagues (2)
15. Rondelles (4)
16. Écrous (2)

Sac de quincaillerie 2:

17. Vis à tête ronde M8 x 16 mm avec raccord de fixation moleté (4)
18. Rondelles d'appui courbées (4)
19. Vis à tête ronde M10 x 16 mm avec raccord de fixation moleté (1)
20. Rondelle de blocage M6 (1)
21. Vis à tête ronde M8 x 21 mm avec raccord de fixation moleté (1)
22. Rondelle de blocage M8 (1)

Outils requis pour l'assemblage

- Clé hexagonale **5** (fourni, et placé dans l'emplacement de rangement de la clé dans le coin de la plateforme)
- Clé à molette
- Clé à fourche de 1/2 po
- Clé à fourche de 3/4 po.
- Pince à couper les fils

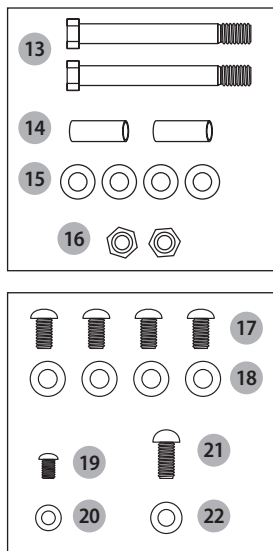
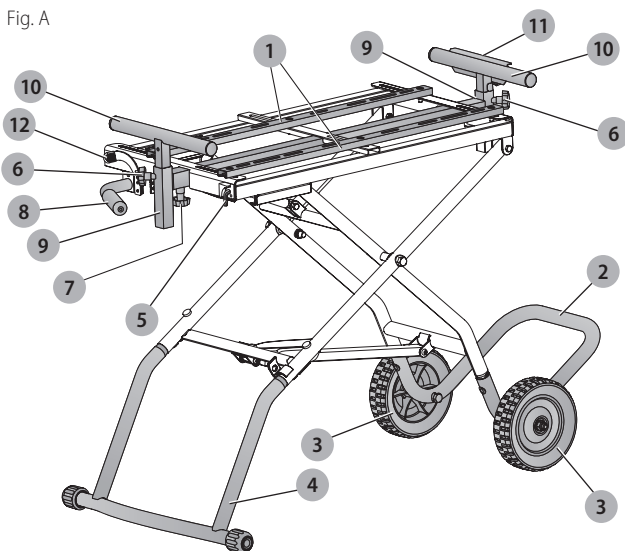


Fig. A







POUR TOUTE QUESTION OU REMARQUE AU SUJET DE CET OUTIL OU DE TOUT AUTRE OUTIL DEWALT, COMPOSEZ LE NUMÉRO SANS FRAIS : 1-800-4-DEWALT (1-800-433-9258).

Cette plateforme mobile pour scie à onglet a été conçue pour accommoder la plupart des scies à onglet et pour assurer la portabilité de ces outils, que ce soit sur un chantier ou en atelier. Pour tout problème au niveau de l'alignement ou du montage, veuillez appeler le **1-800-4-DEWALT (1-800-433-9258)**.

Définitions : symboles et termes d'alarmes sécurité

Ces guides d'utilisation utilisent les symboles et termes d'alarmes sécurité suivants pour vous prévenir de situations dangereuses et de risques de dommages corporels ou matériels.

-  **DANGER** : indique une situation dangereuse imminente qui, si elle n'est pas évitée, **entraînera la mort ou des blessures graves**.
 -  **AVERTISSEMENT** : indique une situation potentiellement dangereuse qui, si elle n'est pas évitée, **pourrait entraîner la mort ou des blessures graves**.
 -  **ATTENTION** : indique une situation potentiellement dangereuse qui, si elle n'est pas évitée, **pourrait entraîner des blessures légères ou modérées**.
 -  (Si utilisé sans aucun terme) Indique un message propre à la sécurité.
- AVIS** : indique une pratique ne posant **aucun risque de dommages corporels** mais qui par contre, si rien n'est fait pour l'éviter, **pourrait poser des risques de dommages matériels**.

RÈGLES DE SÉCURITÉ





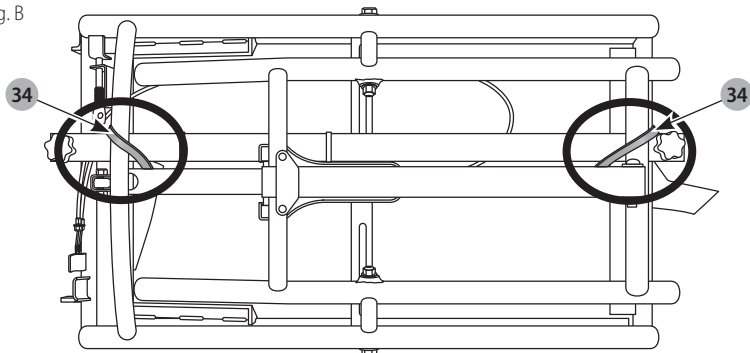
-  **AVERTISSEMENT** : pour votre sécurité, lire le manuel de l'utilisateur respectif à l'outil avant l'utilisation de tout accessoire. Tout manquement à ces avertissements augmente les risques de blessures, et les risques d'endommager sérieusement l'appareil et ses accessoires. Lors de la maintenance de cet outil, n'utiliser que des pièces de rechange identiques.
 -  **AVERTISSEMENT** : tout manquement aux règles suivantes comporte des risques de dommages corporels graves.
 -  **AVERTISSEMENT** : pour réduire tout risque de dommages corporels, soulever ou abaisser la plateforme avec les deux mains sur les poignées. La plateforme par pression à gaz peut s'élever brusquement lorsque le levier est libéré.
- **Ce produit a été conçu pour être utilisé comme support de scies à onglet.** Il peut soutenir jusqu'à 136 kg (300 lb). Tout emploi abusif ou erroné de ce produit comporte des risques de dommages corporels ou matériels.
 - **Ne pas monter sur la table de travail.** Il est dangereux de grimper, s'asseoir ou se tenir debout sur la plateforme. Ne pas utiliser les rallonges comme échelle ou échafaudage.
 - **Arrimer soigneusement la scie à onglet à la plateforme avant toute utilisation.** Suivre soigneusement les instructions d'installation. Arrimer soigneusement l'outil aux rails de fixation de la scie comme indiqué.
 - **Disposer la plateforme sur une surface plane et stable pour prévenir toute chute ou culbute.**
 - **Prendre des précautions lors de l'élévation ou la baisse de la plateforme pour éviter de se pincer les mains ou les doigts.**
 - **Vérifier que les pieds, et tout autre support, sont correctement verrouillés en place avant toute utilisation.**
 - **Ne pas modifier la plateforme ou l'utiliser à des fins pour lesquelles elle n'a pas été conçue.**
 - Porter **SYSTÉMATIQUEMENT** une protection oculaire. Tout utilisateur ou individu présent doit porter une protection oculaire homologuée ANSI Z87.1.
-  **AVERTISSEMENT** : porter **SYSTEMATIQUEMENT** des lunettes de protection. Les lunettes courantes **NE** sont **PAS** des lunettes de protection. Utiliser aussi un masque antipoussières si la découpe doit en produire beaucoup. **PORTER SYSTÉMATIQUEMENT UN ÉQUIPEMENT DE SÉCURITÉ HOMOLOGUÉ** :
 - Protection oculaire ANSI Z87.1 (CAN/CSA Z94.3) ;
 - Protection auditive ANSI S12.6 (S3.19) ;
 - Protection des voies respiratoires NIOSH/OSHA/MSHA.

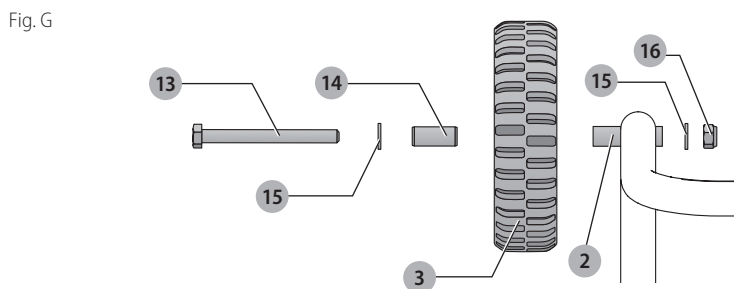
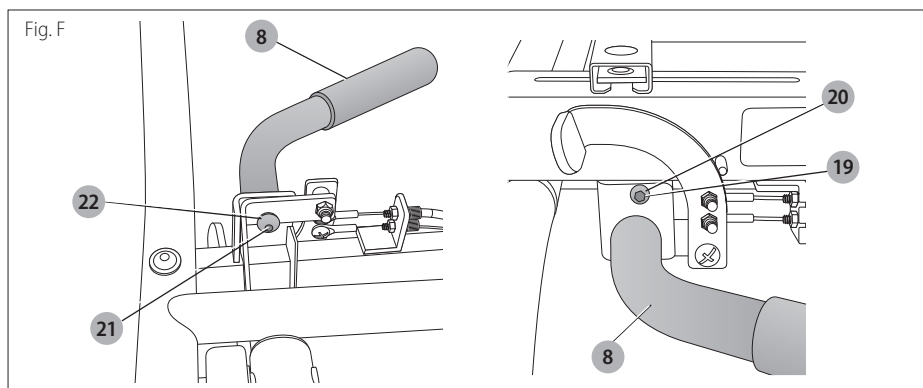
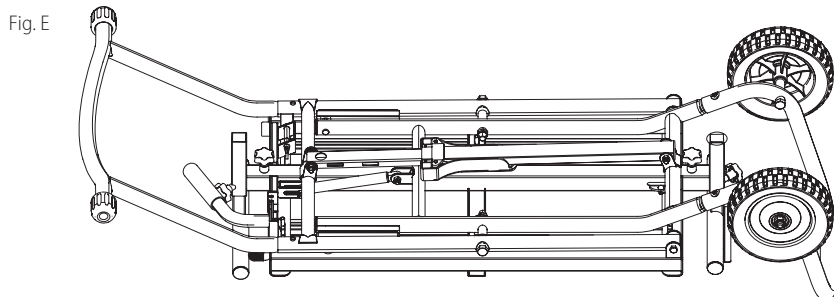
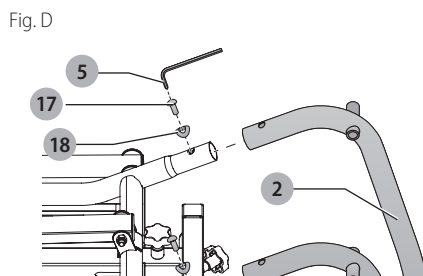
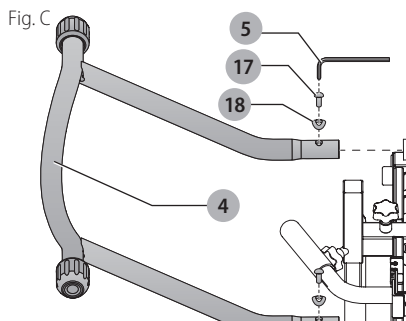
Fig. B



MONTAGE

⚠ AVERTISSEMENT : DANGER DE PINCEMENTS ET DE CHOCS. Ne pas couper les larges liens de sécurité (34 Fig. B) tant que cela ne sera pas demandé plus loin dans ce guide d'utilisation. Le mécanisme à ressort est sous tension et peut s'ouvrir

brusquement et brutalement. Pour réduire tout risque de dommages corporels graves, ne pas déployer ou replier la plateforme tant que l'assemblage n'est pas terminé.

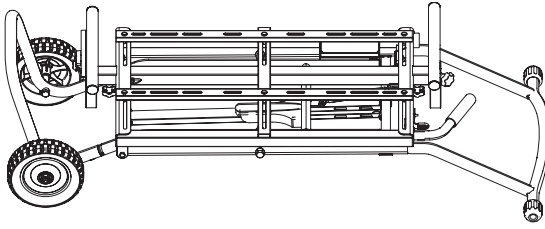


INSTALLATION DE L'OUTIL (Fig. A, H-K)

⚠ AVERTISSEMENT : RISQUES D'INSTABILITÉ. Pour arrimer votre scie à onglet à la plateforme, ou une surface de support, se reporter aux instructions du fabricant de votre outil. Avant toute utilisation, arrimer soigneusement l'outil en suivant les instructions de ce manuel et de celui du fabricant de l'outil. Tout manquement à ces avertissements pose des risques de dommages corporels et matériels graves.

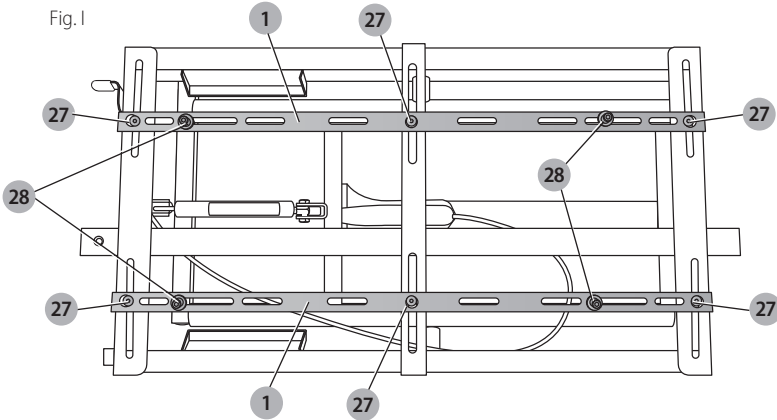
1. Tournez la plateforme sur l'endroit et laissez-la en position fermée avant d'y rattacher la scie.

Fig. H



2. Desserrez les 6 vis de rail **27** avec la clé hexagonale fournie à cet effet. Retirez les quatre boulons/rondelles plates de montage **28** des rails de fixation **1**.

Fig. I



3. Faites glisser les rails de fixation **1** pour les ajuster à la largeur de l'outil.
4. Placez la scie à onglet sur les rails de fixation **1**. Centrez l'outil sur la plateforme (longitudinalement et latéralement, Fig. K).
5. Assurez-vous que les orifices de montage **29** sur les pieds de l'outil sont bien alignés sur les rails (Fig. J).
6. Insérez les boulons/rondelles plates de montage **28** (retirés lors de l'ÉTAPE 2) dans chacun des pieds de l'outil au travers des écrous captifs **32**. Resserrez fermement.
7. Une fois la scie reserrée sur les rails, resserrez les vis de rail **27** desserrées à l'ÉTAPE 2.

Fig. J

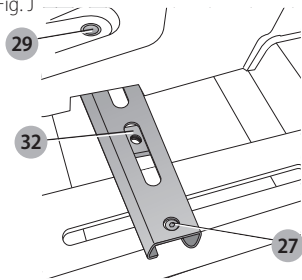
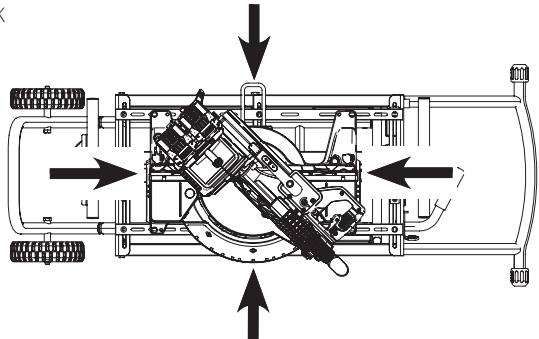


Fig. K



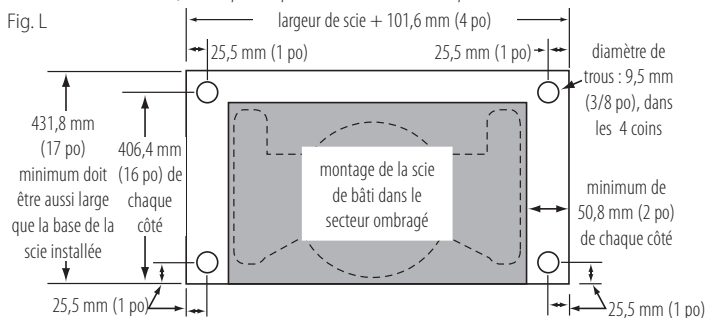
Si votre scie ne cadre pas complètement aux rails de fixation:

IMPORTANT : la scie à onglet DOIT être positionnée de façon à ce que l'outil soit arrimé parfaitement sur les rails de fixation. Dans le cas contraire, veuillez appeler le 1-800-4-DEWALT (1-800-433-9258) pour obtenir l'assistance technique nécessaire.

AVERTISSEMENT : RISQUES D'INSTABILITÉ. Si les trous de montage de l'outil ne s'alignent pas sur les orifices des rails de fixation, installer la scie à onglet sur un morceau de contreplaqué de 19 mm (3/4 po) (se reporter en figure L pour les dimensions). Le contreplaqué doit dépasser d'un minimum de 101,6 mm (4 po) la base de l'outil à installer, et avoir une profondeur minimum de 431,8 mm (17 po). Le contreplaqué doit être au moins aussi large que la base de l'outil installé. Percez des trous de 9,5 mm (3/8 po) près du bord, aux deux extrémités du contreplaqué, pour les aligner avec les orifices des rails de fixation, comme décrit à la section **Installation de l'outil**. Vous pouvez avoir besoin dans ces circonstances de matériel supplémentaire (non fourni avec l'outil).

AVERTISSEMENT : RISQUES D'INSTABILITÉ. Toute quincaillerie utilisée doit être d'un grade 2 minimum. Elle doit dépasser d'au moins 31,8 mm (1-1/4 po) la base de la scie installée.

AVIS : pour prévenir tout grippage et/ou toute perte de précision, s'assurer que le contreplaqué n'est ni gondolé ni irrégulier. Dans cette éventualité, le remplacer par un morceau lisse et plane.



POUR DÉPLOYER ET REPLIER LA PLATEFORME (FIG. A, M, O)

AVERTISSEMENT : DANGER DE PINCEMENTS ET DE CHOCS. Le mécanisme à ressort est sous tension et peut s'ouvrir brusquement, et brutalement.

1. Retournez la plateforme à l'endroit sur le sol.

IMPORTANT : positionner IMPÉRATIVEMENT la plateforme sur l'endroit avant de couper les liens blancs **34**.

Fig. M

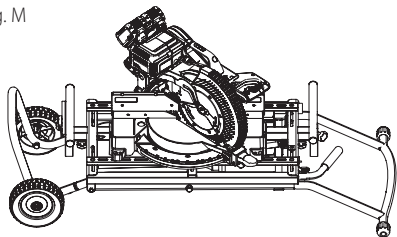
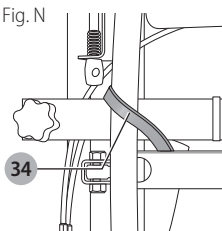


Fig. N

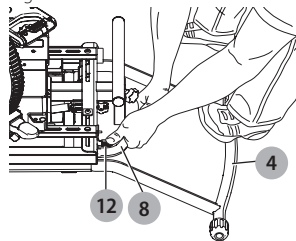


2. Tout en maintenant la partie supérieure du châssis de la plateforme, utilisez une pince à couper les fils pour couper les liens blancs.

IMPORTANT : NE PAS COUPER les liens noirs arrimant les câbles ouvrant la plateforme.

3. Posez un pied sur l'extrémité de la rallonge de pied **4**. Maintenez la poignée vers le bas d'une main et poussez le levier d'activation rouge **12** pour désactiver le mécanisme de verrouillage.
4. Attrapez à deux mains la poignée **8**.

Fig. O



La plateforme peut prendre trois positions : repliée, complètement déployée et une position intermédiaire

Pour se mettre en position intermédiaire :

Levez la poignée et déployez lentement la plateforme. La plateforme s'arrêtera en position intermédiaire. Relâchez le levier.

FRANÇAIS

REMARQUE : en position intermédiaire, la plateforme s'abaissera légèrement lorsqu'on y placera un outil. La position intermédiaire n'est pas verrouillable contre un mouvement vers le haut. La plateforme nécessite le poids d'un outil pour rester en position intermédiaire.

Pour déployer complètement la plateforme :

Commencez en position intermédiaire. Répétez les ÉTAPES 3-4. Tirez sur la poignée et déployez la plateforme complètement. La plateforme se verrouillera en position complètement déployée. Relâchez le levier.

Pour replier la plateforme :

Répétez les ÉTAPES 3 et 4. Il faut tirer sur la poignée et repousser la plateforme jusqu'à sa fermeture. Relâchez le levier.

IMPORTANT : relever d'abord la poignée pour déverrouiller le mécanisme avant d'abaisser la plateforme.

INSTALLATION DES BRAS TÉLESCOPIQUES ET DES SUPPORTS D'OUVRAGE (FIG. A, P, Q)

IMPORTANT : s'assurer que le côté le plus long du « T » sur le bras de support d'ouvrage **9** est orienté vers le bas, comme illustré en figure I. S'assurer que la flèche sur l'étiquette pointe vers le bas.

1. Insérez le long bras de support d'ouvrage avec le petit embout noir (**24**, Fig. P) dans le trou **25** de la plateforme le plus proche du levier d'activation rouge. Repoussez le bras pour le verrouiller en place.
2. Faites de même pour le bras de support d'ouvrage opposé. Repoussez le bras pour le verrouiller en place. Resserrez les boutons de verrouillage horizontal pour arrimer l'ensemble.
3. Avec la plateforme ajustée à la hauteur désirée, insérez le support d'ouvrage **10** sur le dessus du trou du bras de support d'ouvrage **9**. Le trou taraudé sur le support d'ouvrage devrait être orienté vers l'extérieur.
4. Insérez le bouton de verrouillage vertical **6** sur le trou latéral du bras de support d'ouvrage.
5. Resserrez le bouton de verrouillage vertical **6**.
6. Répétez l'opération avec l'autre support d'ouvrage.

REMARQUE : le mécanisme interne de verrouillage maintient les supports de travail bloqués.

Installation de la plaque de butée

1. Alignez l'orifice sur la plaque de butée **11** sur le trou taraudé orienté vers l'extérieur du support d'ouvrage **10**.

REMARQUE : la plaque de butée peut être rattachée sur l'un ou l'autre support d'ouvrage.

2. Arrimez la plaque de butée au support d'ouvrage en insérant et resserrant un bouton de serrage, comme illustré en figure J.

TEST DE STABILITÉ (Fig. R, S)

IMPORTANT : ce test doit être effectué avant d'utiliser l'ensemble : plateforme et scie.

La plateforme mobile pour scie à onglet a été conçue pour être utilisée avec une grande variété de scies à onglet, scies à onglet composé, et scies à onglet composé coulissantes.

AVERTISSEMENT : pour votre sécurité, effectuer le test de stabilité avec deux ou trois personnes pour prévenir tout risque de dommages corporels graves.

AVERTISSEMENT : la tête de coupe des scies à onglet, scies à onglet composé, et scies à onglet composé coulissantes DOIT être en position haute. Toutes les scies à onglet composé coulissantes DOIVENT être verrouillées en position arrière. Tout manquement à cette règle comporte des risques de dommages corporels graves.

AVERTISSEMENT : RISQUES D'INSTABILITÉ. Rester prudent. La plateforme pourrait culbuter lors de cette procédure. Des blessures graves pourraient en résulter.

Fig. P

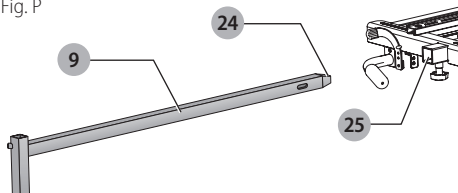


Fig. Q

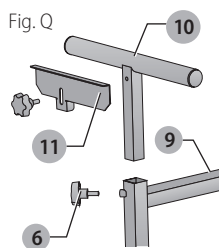


Fig. R

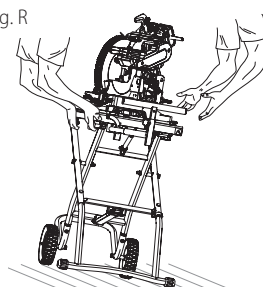
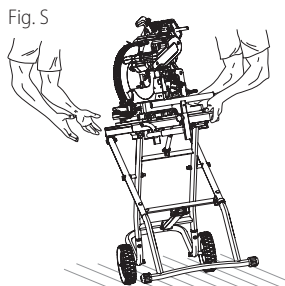


Fig. S



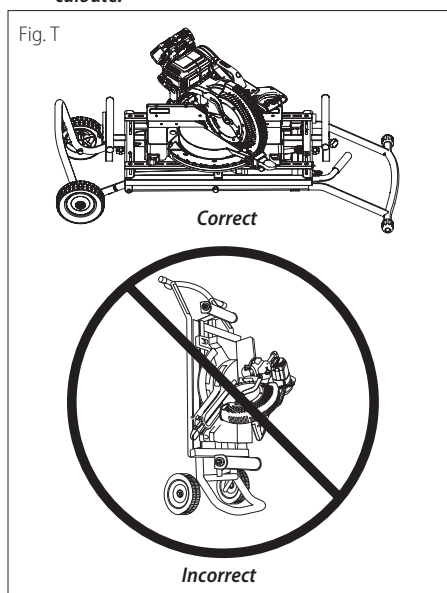
1. Alors qu'une personne se trouve à l'avant de la scie/ plateforme et une autre personne à l'arrière, chacune prête à rattraper la scie, la personne à l'avant soulève les pieds avant d'environ 63,5 mm (2,5 po) puis les relâche, pour les laisser retomber.

Est-ce que la plateforme a tendance à basculer vers l'avant ? Si c'est le cas, réajustez la scie plus vers l'arrière de la plateforme puis resserrez ses fixations.

2. La personne à l'arrière soulève alors les pieds arrière d'environ 63,5 mm (2,5 po) puis les laisse retomber.
- Est-ce que la plateforme a tendance à basculer vers l'arrière ? Si c'est le cas, réajustez la scie vers l'avant de la plateforme puis resserrez les fixations.*

Stockage et transport

- AVERTISSEMENT : RISQUES DE CULBUTE.** Le stockage ou le transport de la plateforme en position verticale pose des risques de culbute. Transporter ou entreposer la plateforme en position horizontale pour réduire tout risque de culbute.



MAINTENANCE

Nettoyage

- AVERTISSEMENT :** enlever les saletés et la poussière hors des événements au moyen d'air comprimé propre et sec, au moins une fois par semaine. Pour minimiser le risque de blessure aux yeux, toujours porter une protection oculaire conforme à la norme ANSI Z87.1 lors du nettoyage.
- AVERTISSEMENT :** ne jamais utiliser de solvants ni d'autres produits chimiques puissants pour nettoyer les pièces non métalliques de l'outil. Ces produits chimiques peuvent affaiblir les matériaux de plastique utilisés dans ces pièces. Utiliser un chiffon humecté

uniquement d'eau et de savon doux. Ne jamais laisser de liquide pénétrer dans l'outil et n'immerger aucune partie de l'outil dans un liquide.

Accessoires

- AVERTISSEMENT :** puisque les accessoires autres que ceux offerts par DeWALT n'ont pas été testés avec ce produit, leur utilisation pourrait s'avérer dangereuse. Pour réduire le risque de blessures, utiliser exclusivement les accessoires DeWALT recommandés avec le présent produit.

Les accessoires recommandés pour cet outil sont vendus séparément au centre de service de votre région. Pour obtenir de l'aide concernant l'achat d'un accessoire, communiquer avec DeWALT Industrial Tool Co., 701 East Joppa Road, Towson, MD 21286 aux États-Unis; composer le 1 800 433-9258 (1 800 4-DeWALT) ou visiter notre site Web : www.dewalt.com.

Réparations

- AVERTISSEMENT :** pour assurer la SÉCURITÉ et la FIABILITÉ du produit, les réparations, l'entretien et les réglages doivent être réalisés (cela comprend l'inspection et le remplacement du balai) par un centre de réparation en usine DeWALT ou un centre de réparation agréé DeWALT. Toujours utiliser des pièces de rechange identiques.

Registre en ligne

Merci pour votre achat. Enregistrez dès maintenant votre produit :

- **RÉPARATIONS SOUS GARANTIE:** cette carte remplie vous permettra de vous prévaloir du service de réparations sous garantie de façon plus efficace dans le cas d'un problème avec le produit.
- **CONFIRMATION DE PROPRIÉTÉ:** en cas de perte provoquée par un incendie, une inondation ou un vol, cette preuve de propriété vous servira de preuve auprès de votre compagnie d'assurances.
- **SÉCURITÉ:** l'enregistrement de votre produit nous permettra de communiquer avec vous dans l'éventualité peu probable de l'envoi d'un avis de sécurité régi par la loi fédérale américaine de la protection des consommateurs.

Registre en ligne à www.dewalt.com/register.

Garantie limitée de trois ans

DeWALT réparera, sans frais, tout produit défectueux causé par un défaut de matériel ou de fabrication pour une période de trois ans à compter de la date d'achat. La présente garantie ne couvre pas les pièces dont la défectuosité a été causée par une usage normale ou l'usage abusif de l'outil. Pour obtenir de plus amples renseignements sur les pièces ou les réparations couvertes par la présente garantie, visiter le site www.dewalt.com ou composer le 1 800 433-9258 (1 800 4-DeWALT). Cette garantie ne s'applique pas aux accessoires et ne vise pas les dommages causés par des réparations effectuées par un

FRANÇAIS

tiers. Cette garantie confère des droits légaux particuliers à l'acheteur, mais celui-ci pourrait aussi bénéficier d'autres droits variant d'un état ou d'une province à l'autre.

En plus de la présente garantie, les outils DeWALT sont couverts par notre :

CONTRAT D'ENTRETIEN GRATUIT D'UN AN

DeWALT entretiendra l'outil et remplacera les pièces usées au cours d'une utilisation normale et ce, gratuitement, pendant une période d'un an à compter de la date d'achat.


GARANTIE DE REMBOURSEMENT DE 90 JOURS

Si l'acheteur n'est pas entièrement satisfait, pour quelque raison que ce soit, du rendement de l'outil électrique, du laser ou de la cloueuse DeWALT, celui-ci peut le retourner, accompagné d'un reçu, dans les 90 jours à compter de la date d'achat pour obtenir un remboursement intégral, sans aucun problème.

AMÉRIQUE LATINE : cette garantie ne s'applique aux produits vendus en Amérique latine. Pour ceux-ci, veuillez consulter les informations relatives à la garantie spécifique présente dans l'emballage, appeler l'entreprise locale ou consulter le site Web pour les informations relatives à cette garantie.

REMPACEMENT GRATUIT DES ÉTIQUETTES

D'AVERTISSEMENT : si les étiquettes d'avertissement deviennent illisibles ou sont manquantes, composer le 1 800 433-9258 (1 800 4-DeWALT) pour en obtenir le remplacement gratuit.

<p>AVVERTISSEMENT</p> <p>ATTENTION: L'UTILISATION INCORRECTE DE L'OUTIL PEUT CAUSER DES BLESSURES GRAVES. LIRE LE MANUEL D'UTILISATION ET LES ÉTIQUETTES D'AVERTISSEMENT AVANT D'UTILISER L'OUTIL. LIRE LE MANUEL D'UTILISATION ET LES ÉTIQUETTES D'AVERTISSEMENT AVANT D'UTILISER L'OUTIL. LIRE LE MANUEL D'UTILISATION ET LES ÉTIQUETTES D'AVERTISSEMENT AVANT D'UTILISER L'OUTIL.</p> <p>AVVERTISSEMENT</p> <p>ATTENTION: L'UTILISATION INCORRECTE DE L'OUTIL PEUT CAUSER DES BLESSURES GRAVES. LIRE LE MANUEL D'UTILISATION ET LES ÉTIQUETTES D'AVERTISSEMENT AVANT D'UTILISER L'OUTIL. LIRE LE MANUEL D'UTILISATION ET LES ÉTIQUETTES D'AVERTISSEMENT AVANT D'UTILISER L'OUTIL.</p> <p>AVVERTISSEMENT</p> <p>ATTENTION: L'UTILISATION INCORRECTE DE L'OUTIL PEUT CAUSER DES BLESSURES GRAVES. LIRE LE MANUEL D'UTILISATION ET LES ÉTIQUETTES D'AVERTISSEMENT AVANT D'UTILISER L'OUTIL. LIRE LE MANUEL D'UTILISATION ET LES ÉTIQUETTES D'AVERTISSEMENT AVANT D'UTILISER L'OUTIL.</p>	<p>AVVERTISSEMENT</p> <p>ATTENTION: L'UTILISATION INCORRECTE DE L'OUTIL PEUT CAUSER DES BLESSURES GRAVES. LIRE LE MANUEL D'UTILISATION ET LES ÉTIQUETTES D'AVERTISSEMENT AVANT D'UTILISER L'OUTIL. LIRE LE MANUEL D'UTILISATION ET LES ÉTIQUETTES D'AVERTISSEMENT AVANT D'UTILISER L'OUTIL.</p> <p>AVVERTISSEMENT</p> <p>ATTENTION: L'UTILISATION INCORRECTE DE L'OUTIL PEUT CAUSER DES BLESSURES GRAVES. LIRE LE MANUEL D'UTILISATION ET LES ÉTIQUETTES D'AVERTISSEMENT AVANT D'UTILISER L'OUTIL. LIRE LE MANUEL D'UTILISATION ET LES ÉTIQUETTES D'AVERTISSEMENT AVANT D'UTILISER L'OUTIL.</p> <p>AVVERTISSEMENT</p> <p>ATTENTION: L'UTILISATION INCORRECTE DE L'OUTIL PEUT CAUSER DES BLESSURES GRAVES. LIRE LE MANUEL D'UTILISATION ET LES ÉTIQUETTES D'AVERTISSEMENT AVANT D'UTILISER L'OUTIL. LIRE LE MANUEL D'UTILISATION ET LES ÉTIQUETTES D'AVERTISSEMENT AVANT D'UTILISER L'OUTIL.</p>	<p>AVVERTISSEMENT</p> <p>ATTENTION: L'UTILISATION INCORRECTE DE L'OUTIL PEUT CAUSER DES BLESSURES GRAVES. LIRE LE MANUEL D'UTILISATION ET LES ÉTIQUETTES D'AVERTISSEMENT AVANT D'UTILISER L'OUTIL. LIRE LE MANUEL D'UTILISATION ET LES ÉTIQUETTES D'AVERTISSEMENT AVANT D'UTILISER L'OUTIL.</p> <p>AVVERTISSEMENT</p> <p>ATTENTION: L'UTILISATION INCORRECTE DE L'OUTIL PEUT CAUSER DES BLESSURES GRAVES. LIRE LE MANUEL D'UTILISATION ET LES ÉTIQUETTES D'AVERTISSEMENT AVANT D'UTILISER L'OUTIL. LIRE LE MANUEL D'UTILISATION ET LES ÉTIQUETTES D'AVERTISSEMENT AVANT D'UTILISER L'OUTIL.</p> <p>AVVERTISSEMENT</p> <p>ATTENTION: L'UTILISATION INCORRECTE DE L'OUTIL PEUT CAUSER DES BLESSURES GRAVES. LIRE LE MANUEL D'UTILISATION ET LES ÉTIQUETTES D'AVERTISSEMENT AVANT D'UTILISER L'OUTIL. LIRE LE MANUEL D'UTILISATION ET LES ÉTIQUETTES D'AVERTISSEMENT AVANT D'UTILISER L'OUTIL.</p>	<p>AVVERTISSEMENT</p> <p>ATTENTION: L'UTILISATION INCORRECTE DE L'OUTIL PEUT CAUSER DES BLESSURES GRAVES. LIRE LE MANUEL D'UTILISATION ET LES ÉTIQUETTES D'AVERTISSEMENT AVANT D'UTILISER L'OUTIL. LIRE LE MANUEL D'UTILISATION ET LES ÉTIQUETTES D'AVERTISSEMENT AVANT D'UTILISER L'OUTIL.</p> <p>AVVERTISSEMENT</p> <p>ATTENTION: L'UTILISATION INCORRECTE DE L'OUTIL PEUT CAUSER DES BLESSURES GRAVES. LIRE LE MANUEL D'UTILISATION ET LES ÉTIQUETTES D'AVERTISSEMENT AVANT D'UTILISER L'OUTIL. LIRE LE MANUEL D'UTILISATION ET LES ÉTIQUETTES D'AVERTISSEMENT AVANT D'UTILISER L'OUTIL.</p> <p>AVVERTISSEMENT</p> <p>ATTENTION: L'UTILISATION INCORRECTE DE L'OUTIL PEUT CAUSER DES BLESSURES GRAVES. LIRE LE MANUEL D'UTILISATION ET LES ÉTIQUETTES D'AVERTISSEMENT AVANT D'UTILISER L'OUTIL. LIRE LE MANUEL D'UTILISATION ET LES ÉTIQUETTES D'AVERTISSEMENT AVANT D'UTILISER L'OUTIL.</p>
<p>CAUTION</p> <p>FOR SAFE OPERATION, ARROW MUST POINT DOWNWARD.</p> <p>AVERTISSEMENT</p> <p>POUR ASSURER UNE UTILISATION SÛRE, LA FLÈCHE DOIT PONTER VERS LE BAS.</p> <p>ATENCIÓN</p> <p>PARA UN FUNCIONAMIENTO O SEGURO, LA FLÈCHA DEBE APUNTAR HACIA ABAJO.</p> 		<p>AVVERTISSEMENT</p> <p>CONTENTS UNDER PRESSURE. DO NOT APPLY HEAT OR FIRE. HEAT CAUSES COMPRESSION TO BURST.</p> <p>AVERTISSEMENT</p> <p>CONTENIDO SOBO PRESIÓN. NO PONGA CALOR NI DE FUELO. EL CALOR PUEDE HACER ESTALLAR EL CONTENIDO.</p> <p>AVVERTISSEMENT</p> <p>CONTENIDO SOBO PRESIÓN. NO PONGA CALOR NI DE FUELO. EL CALOR PUEDE HACER ESTALLAR EL CONTENIDO.</p> <p>DW726</p> <p>ROLLING WINTER SAW STAND</p> <p>SER. _____</p> <p>IMPORTED BY: DEWALT, 10000 DEWALT DRIVE, MCKEESPORT, PA 15110</p>	
<p>AVVERTISSEMENT</p> <p>ATTENTION: L'UTILISATION INCORRECTE DE L'OUTIL PEUT CAUSER DES BLESSURES GRAVES. LIRE LE MANUEL D'UTILISATION ET LES ÉTIQUETTES D'AVERTISSEMENT AVANT D'UTILISER L'OUTIL. LIRE LE MANUEL D'UTILISATION ET LES ÉTIQUETTES D'AVERTISSEMENT AVANT D'UTILISER L'OUTIL.</p> <p>AVVERTISSEMENT</p> <p>ATTENTION: L'UTILISATION INCORRECTE DE L'OUTIL PEUT CAUSER DES BLESSURES GRAVES. LIRE LE MANUEL D'UTILISATION ET LES ÉTIQUETTES D'AVERTISSEMENT AVANT D'UTILISER L'OUTIL. LIRE LE MANUEL D'UTILISATION ET LES ÉTIQUETTES D'AVERTISSEMENT AVANT D'UTILISER L'OUTIL.</p>		<p>AVVERTISSEMENT</p> <p>ATTENTION: L'UTILISATION INCORRECTE DE L'OUTIL PEUT CAUSER DES BLESSURES GRAVES. LIRE LE MANUEL D'UTILISATION ET LES ÉTIQUETTES D'AVERTISSEMENT AVANT D'UTILISER L'OUTIL. LIRE LE MANUEL D'UTILISATION ET LES ÉTIQUETTES D'AVERTISSEMENT AVANT D'UTILISER L'OUTIL.</p> <p>AVVERTISSEMENT</p> <p>ATTENTION: L'UTILISATION INCORRECTE DE L'OUTIL PEUT CAUSER DES BLESSURES GRAVES. LIRE LE MANUEL D'UTILISATION ET LES ÉTIQUETTES D'AVERTISSEMENT AVANT D'UTILISER L'OUTIL. LIRE LE MANUEL D'UTILISATION ET LES ÉTIQUETTES D'AVERTISSEMENT AVANT D'UTILISER L'OUTIL.</p>	

SOPORTE RODANTE PARA SIERRA INGLETEADORA DWX726

! **ADVERTENCIA:** Para reducir el riesgo de lesiones personales graves, apague la herramienta y desconéctela de la fuente de alimentación antes de realizar ajustes o de retirar/instalar dispositivos o accesorios. Un arranque accidental podría causar lesiones.

Componentes (Fig. A)

! **ADVERTENCIA:** Nunca modifique el soporte, ni tampoco ninguna de sus partes. Podría producir lesiones corporales o daños.

1. Rieles de montaje
2. Pie para almacenamiento
3. Ruedas
4. Extensión de la pata
5. Llave hexagonal
6. Pomos de bloqueo vertical
7. Pomos de bloqueo horizontal
8. Barra de sujeción
9. Brazo de extensión de soporte para la pieza de trabajo
10. Apoyo de la pieza de trabajo
11. Placa de tope
12. Palanca activadora

Bolsa 2 de accesorios de montaje

13. Ejes (2)
14. Cojinetes (2)
15. Arandelas (4)
16. Tuercas (2)

Bolsa 2 de accesorios de montaje

17. Tornillos de cabeza abombada M8 de 16 mm (4)
18. Arandelas curvas (4)
19. Tornillos de cabeza abombada M6 de 10 mm (1)
20. Arandela de fijación M6 (1)
21. Tornillo de cabeza abombada M8 de 21 mm con parche de bloqueo de rosca (1)
22. Arandela de fijación M8 (1)

Herramientas requeridas para el montaje

- Llave hexagonal **5** (suministrada, viene en la ubicación de almacenamiento de la llave en la esquina de la base de soporte)
- Llave ajustable
- Llave fija de 1/2"
- Llave fija de 3/4"
- Alicates para cortar alambre

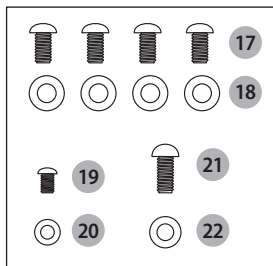
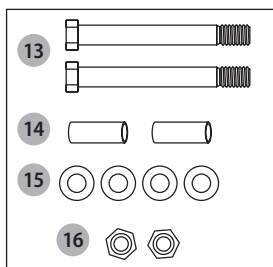
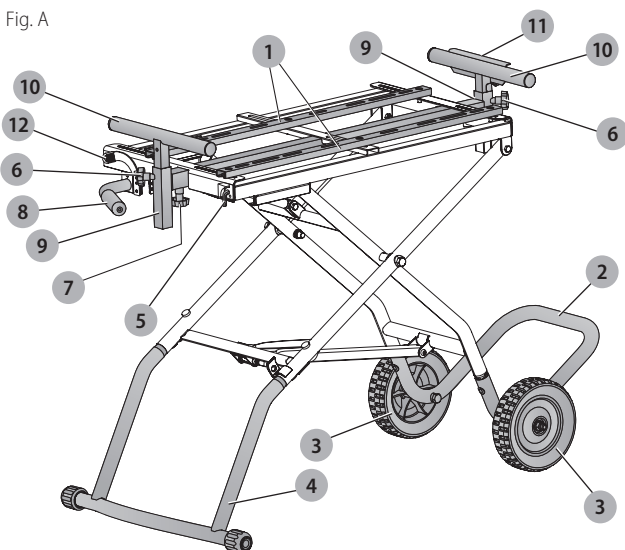


Fig. A







SI TIENE ALGUNA DUDA O ALGÚN COMENTARIO SOBRE ÉSTA U OTRA HERRAMIENTA DEWALT, LLÁMENOS AL NÚMERO GRATUITO: 1-800-4-DeWALT (1-800-433-9258).

Este soporte rodante para sierra ingleteadora está diseñado para la mayoría de las sierras ingleteadoras y facilita el transporte de esas herramientas, tanto en el campo como en el taller. Si tiene algún problema con el alineamiento o montaje de la base, llame a 1-800-4-DeWALT (1-800-433-9258).

Definiciones: Símbolos y palabras de alerta de seguridad

Este manual de instrucciones utiliza los siguientes símbolos y palabras de alerta de seguridad para alertarle de situaciones peligrosas y del riesgo de lesiones corporales o daños materiales.

-  **PELIGRO:** Indica una situación de peligro inminente que, si no se evita, provocará **la muerte o lesiones graves**.
-  **ADVERTENCIA:** Indica una situación de peligro potencial que, si no se evita, **podría provocar la muerte o lesiones graves**.
-  **ATENCIÓN:** Indica una situación de peligro potencial que, si no se evita, **posiblemente provocaría lesiones leves o moderadas**.
-  (Utilizado sin palabras) indica un mensaje de seguridad relacionado.
- AVISO:** Se refiere a una práctica **no relacionada a lesiones corporales** que de no evitarse **puede resultar en daños a la propiedad**.

REGLAS DE SEGURIDAD





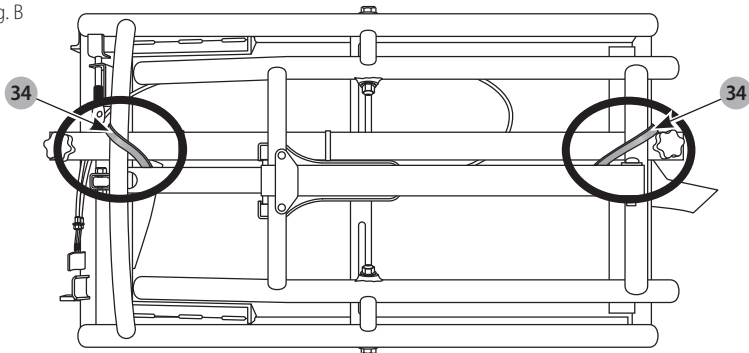
-  **ADVERTENCIA:** Para su seguridad, lea el manual de instrucciones de la herramienta antes de utilizar cualquier accesorio. De no seguir estas advertencias podrían producirse lesiones corporales y graves daños a la herramienta y al accesorio. Cuando realice el mantenimiento de esta herramienta, utilice únicamente repuestos originales.
-  **ADVERTENCIA:** El incumplimiento con estas reglas puede resultar en lesiones corporales graves.
-  **ADVERTENCIA:** Para reducir el riesgo de lesiones, mantenga ambas manos en la barra de sujeción cuando suba o baje el soporte. El soporte cuenta con elevación a gas y puede elevarse inesperadamente al soltar la palanca.
- Este producto ha sido diseñado para usarse como soporte para sierras ingleteadoras. El soporte puede sostener hasta 136 kg. (300 libras de peso). El mal uso o abuso de este producto puede dañar el mismo o resultar en lesiones corporales.
- **No se pare encima de la mesa de trabajo.** Es peligroso treparse, sentarse o pararse sobre el soporte. No use las extensiones del soporte como si fueran escaleras o andamios.
- **Asegure debidamente la sierra ingleteadora al soporte antes de su puesta en funcionamiento.** Siga detenidamente las instrucciones de montaje. Sujete bien la herramienta a los rieles de montaje de la sierra, como se indica.
 - Coloque el soporte sobre una superficie plana y nivelada para evitar que se balancee o se vuelque.
 - Tenga cuidado al subir o bajar el producto para reducir el riesgo de pellizcarse las manos o los dedos.
 - Revise las patas y otros puntos de apoyo para verificar que estén debidamente asegurados antes de comenzar la operación de la herramienta.
 - No modifique ni use el soporte para propósitos para los cuales no fue diseñado.
 - SIEMPRE use protección ocular. Todos los usuarios y las personas circunstantes deben llevar protección ocular en conformidad con ANSI Z87.1.
-  **ADVERTENCIA:** Use SIEMPRE lentes de seguridad. Los anteojos de diario NO SON lentes de seguridad. Utilice además una cubrebocas o mascarilla antipolvo si la operación de corte genera demasiado polvo. SIEMPRE LLEVE EQUIPO DE SEGURIDAD CERTIFICADO:
 - protección ocular ANSI Z87.1 (CAN/CSA Z94.3),
 - protección auditiva ANSI S12.6 (S3.19),
 - protección respiratoria NIOSH/OSHA/MSHA.

Fig. B



ENSAMBLAJE

⚠ ADVERTENCIA: RIESGO DE PELLIZCO E IMPACTO.
No corte los cierres grandes para asegurar los cables (34 Fig. B) hasta que se le indique que lo haga posteriormente en el manual. El mecanismo de resorte está bajo tensión y puede

abrirse inesperadamente, con gran fuerza. Para reducir el riesgo de lesión corporal grave, no suba o baje la base de soporte hasta que se haya terminado el ensamblaje.

Fig. C

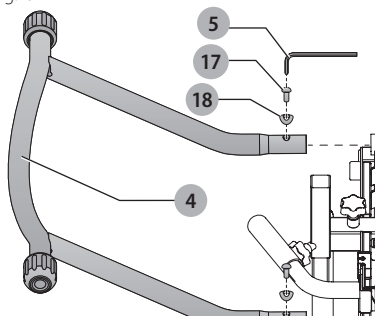


Fig. D

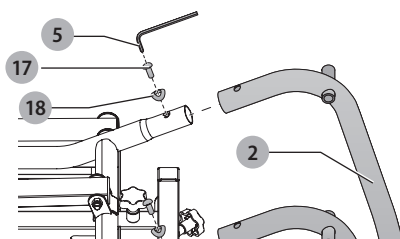


Fig. E

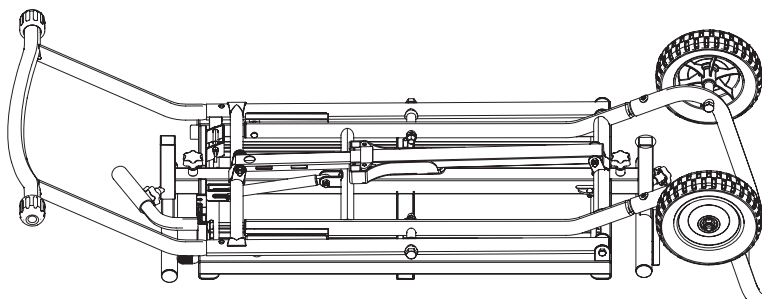


Fig. F

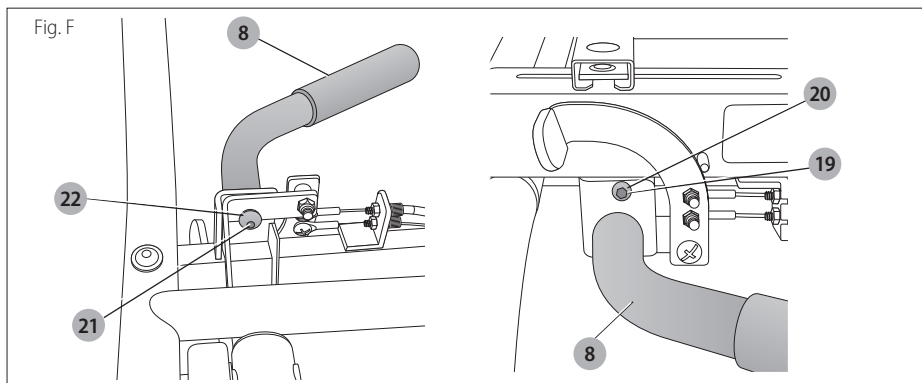
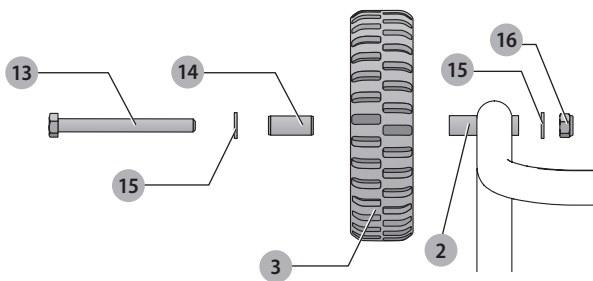


Fig. G

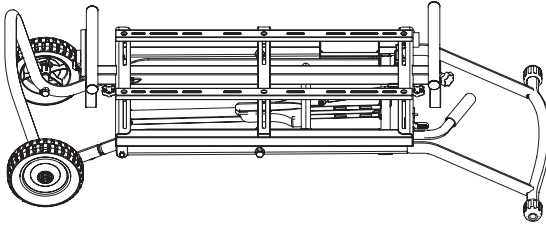


INSTALACIÓN DE LA HERRAMIENTA (FIG. A, H-K)

⚠ ADVERTENCIA: PELIGRO DE INESTABILIDAD. Consulte las instrucciones del fabricante de la herramienta relativas a la fijación de la sierra ingleteadora a un soporte o superficie de apoyo. Fije la herramienta siguiendo las instrucciones de este manual y las del manual del fabricante de su herramienta antes de utilizarla. De no seguir estas advertencias podrán producirse graves lesiones corporales y daños a la herramienta.

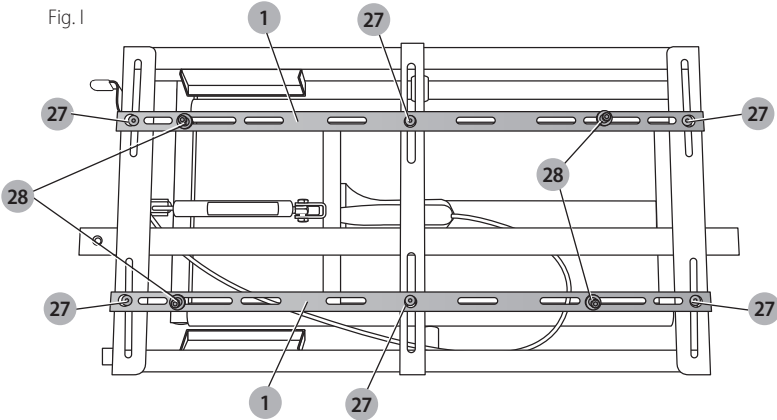
1. Coloque la base de soporte con la parte derecha hacia arriba y déjela en la posición cerrada antes de instalar la sierra.

Fig. H



2. Afloje los 6 tornillos de los rieles **27** con la llave hexagonal suministrada. Extraiga los cuatro pernos de montaje/las arandelas planas **28** de los rieles de montaje **1**.

Fig. I



3. Deslice los rieles de montaje **1** para que se adapten a la anchura de la herramienta.
4. Coloque la sierra ingleteadora en los rieles de montaje **1**. Centre la herramienta, hacia adelante, hacia atrás y de un lado a otro, en la base de soporte (Fig. K).
5. Asegúrese de que los orificios de montaje **29** en los pies de la herramienta se alineen con el riel (Fig. J).
6. Inserte los pernos de montaje/las arandelas planas **28** (que quitó en el PASO 2) en cada uno de los pies de la herramienta y la tuerca prisionera correspondiente **32**. Apriete firmemente.
7. Una vez que la sierra esté ajustada a los rieles, apriete los tornillos de los rieles **27** que aflojó en el PASO 2.

Fig. J

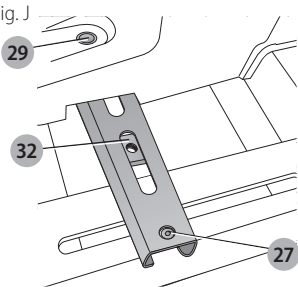
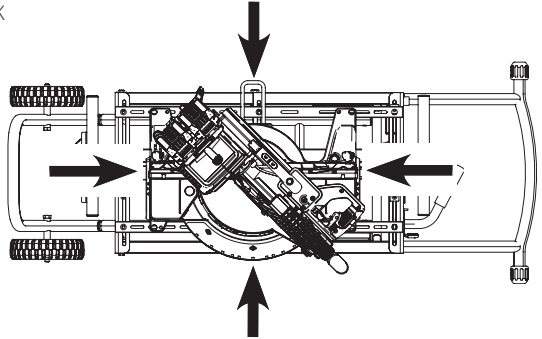


Fig. K



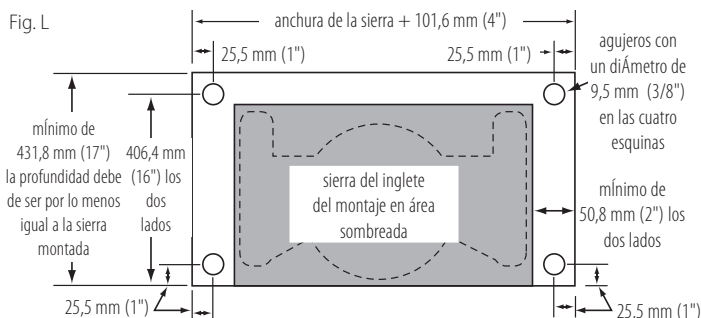
Si la sierra no se inserta fácilmente en los rieles de montaje:

IMPORTANTE: La sierra ingleteadora DEBE ubicarse de modo que la herramienta quede directamente apernada en los rieles de montaje. Si esto no es posible, llame al **1-800-4-DEWALT (1-800-433-9258)** para recibir asistencia técnica.

⚠️ ADVERTENCIA: PELIGRO DE INESTABILIDAD. Si los orificios de montaje de la herramienta no se alinean con las ranuras en los rieles de montaje, monte la sierra ingleteadora en una pieza de contrachapado de 19 mm (3/4") (Remítase a la Figura M para ver las dimensiones). El contrachapado debe ser un mínimo de 101,6 mm (4") más ancho que la base de la herramienta que se está montando y tener una profundidad mínima de 431,8 mm (17"). El contrachapado debe tener como mínimo la misma profundidad de la base de la herramienta que se está montando. Perfore orificios de 9,5 mm (3/8") cerca de cada uno de los extremos del contrachapado para alinearlos con las ranuras en los rieles de montaje como se describe en **Instalación de la herramienta**. Puede que requiera de otros accesorios de montaje (no incluidos) en estas circunstancias.

⚠️ ADVERTENCIA: PELIGRO DE INESTABILIDAD. Todos los accesorios de montaje que utilice deberán ser como mínimo grado 2. Los accesorios de montaje deberán tener 31,8 mm (1-1/4") más de largo que el grosor de la base de la herramienta que está montando.

AVISO: Para evitar atascos y/o inexactitud, compruebe que el contrachapado no esté combado ni tenga irregularidades. Si se produce atasco y/o inexactitud, cambie el contrachapado por una pieza de contrachapado no combada y nivelada.



CÓMO LEVANTAR Y BAJAR LA BASE DE SOPORTE (FIG. A, M, O)

⚠️ ADVERTENCIA: RIESGO DE PELLIZCO E IMPACTO. El mecanismo de resorte está bajo tensión y puede abrirse inesperadamente, con gran fuerza.

1. Ponga el soporte en posición correcta sobre el piso.

IMPORTANTE: El soporte DEBE estar en posición correcta al cortar los cierres de cables blancos **34**.

Fig. M

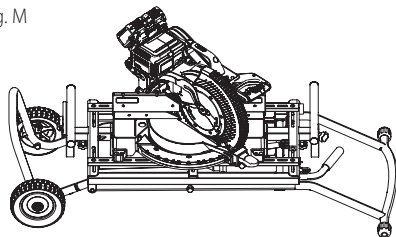
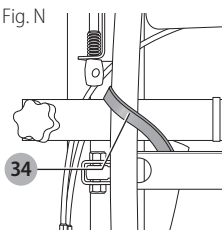


Fig. N

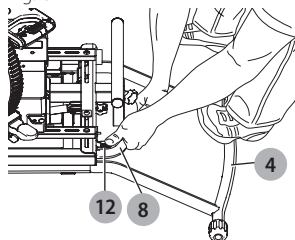


2. Mientras empuja hacia abajo la parte superior del marco del soporte, utilice alicates para cortar alambre para cortar los cierres de cables blancos.

IMPORTANTE: NO corte los cierres de cables negros que aseguran los cables que abren la base de soporte.

3. Coloque un pie en la parte inferior de la extensión de la pata **4**. Sujete el mango hacia abajo con una mano, empuje la palanca activadora roja **12** para desactivar el mecanismo de cierre de seguridad.
4. Agarre el mango **8** con ambas manos.

Fig. O



La base de soporte tiene tres posiciones: cerrada, totalmente extendida e intermedia.

Para alcanzar la posición intermedia:

Levante el mango y eleve ligeramente la base de soporte. La base de soporte se detendrá en la posición intermedia. Suelte la palanca.

NOTA: En la posición intermedia, la base de soporte se bajará ligeramente cuando se coloque encima una herramienta. La posición intermedia no se bloquea contra el movimiento hacia arriba. La base de soporte depende del peso de la herramienta para mantenerse en posición intermedia.

Para extender totalmente la base de soporte:

Empiece en la posición intermedia. Repita los PASOS 3 a 4. Levante el mango y eleve la base de soporte hasta la posición totalmente extendida. La base de soporte se bloqueará en la posición totalmente extendida. Suelte la palanca.

Para cerrar la base de soporte:

Repita los PASOS 3 a 4. Debe levantar el mango y empujarlo hasta que la base de soporte esté cerrada. Suelte la palanca.

IMPORTANTE: Levante primero la palanca para desbloquear el seguro antes de poder bajar la base de soporte.

INSTALACIÓN DE LOS BRAZOS DE EXTENSIÓN Y LOS APOYOS DE LA PIEZA DE TRABAJO (FIG. A, P, Q)

IMPORTANTE: Asegúrese de que la parte más larga de la "T" en el brazo de apoyo de la pieza de trabajo **9** esté orientada hacia abajo como se muestra en la Figura I. Asegúrese de que la flecha en la etiqueta apunte hacia abajo.

1. Inserte el brazo de apoyo largo para la pieza de trabajo con la pequeña tapa negra **24**, Fig. P) en el orificio **25** del soporte más cerca de la palanca activadora roja. Empuje el brazo hacia adentro para bloquearlo en su sitio.
2. Repita este procedimiento para el otro brazo de apoyo para la pieza de trabajo del extremo opuesto. Empuje el brazo hacia adentro para bloquearlo en su sitio. Apriete los pomos de bloqueo horizontal para fijar bien.
3. Con el soporte levantado hasta la altura deseada, inserte el apoyo de la pieza de trabajo **10** en la parte superior del orificio del brazo de extensión **9**. El orificio roscado en el apoyo de la pieza de trabajo debería mirar hacia afuera.
4. Inserte el pomo de bloqueo vertical **6** en el orificio lateral del brazo de apoyo de la pieza de trabajo.
5. Apriete el pomo de bloqueo vertical **6**.
6. Repita el procedimiento con el otro apoyo de la pieza de trabajo.

NOTA: El mecanismo de bloqueo interno impide que los apoyos de la pieza de trabajo se desbloqueen.

Instalación de la placa de tope

1. Alinee la ranura en la placa de tope **11** con el orificio roscado del apoyo de la pieza de trabajo **10** mirando hacia afuera.
NOTA: La placa de tope puede fijarse a cualquiera de los apoyos de la pieza de trabajo.
2. Asegure la placa de tope al apoyo de la pieza de trabajo instalando y apretando el pomo, como se muestra en la figura J.

PRUEBA DE ESTABILIDAD DEL PRODUCTO (Fig. R, S)

IMPORTANTE: Esta prueba debe realizarse antes de utilizar la base de soporte y la sierra juntos.

El soporte rodante para sierra ingleteadora está diseñado para utilizarse con una amplia variedad de sierras ingleteadoras, sierras ingleteadoras compuestas y sierras ingleteadoras compuestas deslizantes.

⚠ ADVERTENCIA: Para su seguridad, realice la prueba de estabilidad con la ayuda de dos personas o más; de lo contrario, podría resultar en lesiones graves.

⚠ ADVERTENCIA: El cabezal de corte DEBE estar elevado en toda sierra ingleteadora, sierra ingleteadora compuesta, y sierra ingleteadora compuesta corrediza. Todas las sierras ingleteadoras compuestas

Fig. P

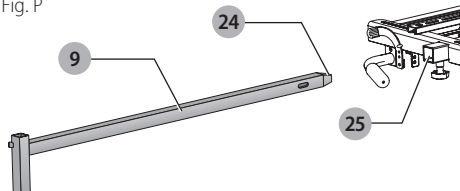


Fig. Q

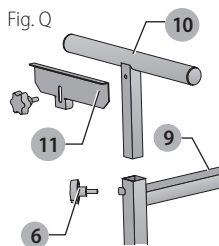


Fig. R

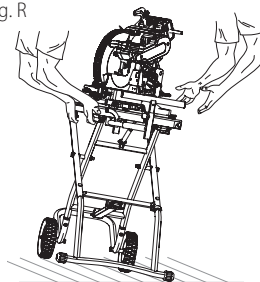
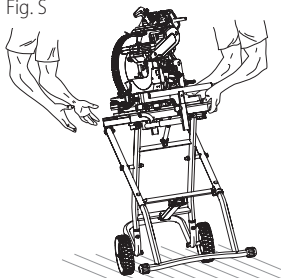


Fig. S



corredizas DEBEN ser fijadas en la posición posterior. El incumplimiento con lo anterior puede resultar en lesiones corporales graves.



ADVERTENCIA: PELIGRO DE INESTABILIDAD. Permanezca alerta. El soporte puede volcarse durante este procedimiento. Pueden producirse lesiones graves.

1. Con una persona delante de la sierra/base de soporte y una persona en la parte de atrás de la sierra/base de soporte, ambos listos para agarrar la sierra, la persona que está delante levanta las patas delanteras aproximadamente 63,5 mm (2,5 pulg.) y luego las suelta, haciendo que se caigan.

¿Tiende la base de soporte a volcarse hacia adelante?

Si es así, reajuste la sierra más hacia atrás en la base de soporte y vuelva a ajustar las fijaciones.

2. La persona en la parte de atrás levanta las patas traseras aproximadamente 63,5 mm (2,5 pulg.) y las deja caer.

¿Tiende la base de soporte a volcarse hacia atrás?

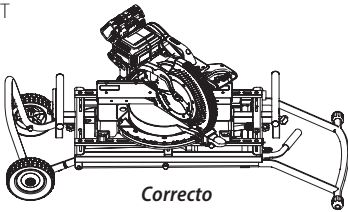
Si es así, reajuste la sierra hacia adelante en la base de soporte y vuelva a ajustar las fijaciones.

Almacenamiento y transporte



ADVERTENCIA: PELIGRO DE VUELCO. La base de soporte puede volcarse cuando se guarda o se transporta en posición vertical. Transporte o guarde la base de soporte en posición horizontal para reducir el riesgo de que se vuelque.

Fig. T



MANTENIMIENTO

Limpieza



ADVERTENCIA: Sople la suciedad y el polvo de todos los conductos de ventilación con aire seco, al menos una vez por semana. Para reducir el riesgo de lesiones,

utilice siempre protección para los ojos aprobada ANSI Z87.1 al realizar esta tarea.



ADVERTENCIA: Nunca utilice solventes ni otros químicos abrasivos para limpiar las piezas no metálicas de la herramienta. Estos productos químicos pueden debilitar los materiales plásticos utilizados en estas piezas. Utilice un paño humedecido sólo con agua y jabón neutro. Nunca permita que penetre líquido dentro de la herramienta ni sumerja ninguna de las piezas en un líquido.

Accesorios



ADVERTENCIA: Debido a que no se han probado con este producto otros accesorios que no sean los que ofrece DeWALT, el uso de dichos accesorios con esta herramienta podría ser peligroso. Para reducir el riesgo de lesiones, con este producto deben usarse sólo los accesorios recomendados por DeWALT.

Los accesorios que se recomiendan para utilizar con la herramienta están disponibles a un costo adicional en su distribuidor local o en un centro de mantenimiento autorizado. Si necesita ayuda para localizar algún accesorio, póngase en contacto con DeWALT Industrial Tool Co., 701 East Joppa Road, Towson, MD 21286, llame al 1-800-4-DeWALT (1-800-433-9258) o visite nuestro sitio web: www.dewalt.com.

Reparaciones

El cargador y las unidades de batería no pueden ser reparados.



ADVERTENCIA: Para asegurar la **SEGURIDAD** y la **CONFIABILIDAD** del producto, las reparaciones, el mantenimiento y los ajustes deben (inclusive inspección y cambio de carbones) ser realizados en un centro de mantenimiento en la fábrica DeWALT u en un centro de mantenimiento autorizado DeWALT. Utilice siempre piezas de repuesto idénticas.

Para reparación y servicio de sus herramientas eléctricas, favor de dirigirse al Centro de Servicio más cercano

CULIACAN, SIN

Blvd.Emiliano Zapata 5400-1 Poniente Col. (667) 717 89 99
San Rafael

GUADALAJARA, JAL

Av. La Paz #1779 - Col. Americana Sector (33) 3825 6978
Juárez

MEXICO, D.F.

Eje Central Lázaro Cárdenas No. 18 - Local (55) 5588 9377
D, Col. Obrera

MERIDA, YUC

Calle 63 #459-A - Col. Centro (999) 928 5038

MONTERREY, N.L.

Av. Francisco I. Madero 831 Poniente - Col. (818) 375 23 13
Centro

PUEBLA, PUE

17 Norte #205 - Col. Centro (222) 246 3714

ESPAÑOL

QUERETARO, QRO

Av. San Roque 274 - Col. San Gregorio (442) 2 17 63 14

SAN LUIS POTOSI, SLP

Av. Universidad 1525 - Col. San Luis (444) 814 2383

TORREON, COAH

Bldv. Independencia, 96 Pte. - Col. Centro (871) 716 5265

VERACRUZ, VER

Prolongación Díaz Mirón #4280 - Col. Remes (229) 921 7016

VILLAHERMOSA, TAB

Constitución 516-A - Col. Centro (993) 312 5111

PARA OTRAS LOCALIDADES:

**Si se encuentra en México, por favor llame al
(55) 5326 7100**

**Si se encuentra en U.S., por favor llame al
1-800-433-9258 (1-800 4-DEWALT)**

Póliza de Garantía

IDENTIFICACIÓN DEL PRODUCTO:

Sello o firma del Distribuidor.

Nombre del producto: _____

Mod./Cat.: _____

Marca: _____

Núm. de serie: _____

(Datos para ser llenados por el distribuidor)

Fecha de compra y/o entrega del producto:

Nombre y domicilio del distribuidor donde se adquirió el producto:

Este producto está garantizado por un año a partir de la fecha de entrega, contra cualquier defecto en su funcionamiento, así como en materiales y mano de obra empleados para su fabricación. Nuestra garantía incluye la reparación o reposición del producto y/o componentes sin cargo alguno para el cliente, incluyendo mano de obra, así como los gastos de transportación razonablemente erogados derivados del cumplimiento de este certificado.

Para hacer efectiva esta garantía deberá presentar su herramienta y esta póliza sellada por el establecimiento comercial donde se adquirió el producto, de no contar con ésta, bastará la factura de compra.

Excepciones

Esta garantía no será válida en los siguientes casos:

- Cuando el producto se hubiese utilizado en condiciones distintas a las normales;
- Cuando el producto no hubiese sido operado de acuerdo con el instructivo de uso que se acompaña;
- Cuando el producto hubiese sido alterado o reparado por personas distintas a las enlistadas al final de este certificado.

Anexo encontrará una relación de sucursales de servicio de fábrica, centros de servicio autorizados y franquiciados en la República Mexicana, donde podrá hacer efectiva su garantía y adquirir partes, refacciones y accesorios originales.

Registro en línea

Gracias por su compra. Registre su producto ahora para:

- **SERVICIO EN GARANTÍA:** Si completa esta tarjeta, podrá obtener un servicio en garantía más eficiente, en caso de que exista un problema con su producto.
- **CONFIRMACIÓN DE PROPIEDAD:** En caso de una pérdida que cubra el seguro, como un incendio, una inundación o un robo, el registro de propiedad servirá como comprobante de compra.
- **PARA SU SEGURIDAD:** Si registra el producto, podremos comunicarnos con usted en el caso improbable que se deba enviar una notificación de seguridad conforme a la Federal Consumer Safety Act (Ley Federal de Seguridad de Productos para el Consumidor).

Registro en línea en www.dewalt.com/register.

Garantía limitada por tres años

DeWALT reparará, sin cargo, cualquier falla que surja de defectos en el material o la fabricación del producto, por hasta tres años a contar de la fecha de compra. Esta garantía no cubre fallas de las piezas causadas por su desgaste normal o abuso a la herramienta. Para mayores detalles sobre la cobertura de la garantía e información acerca de reparaciones realizadas bajo garantía, visítenos en www.dewalt.com o diríjase al centro de servicio más cercano. Esta garantía no aplica a accesorios o a daños causados por reparaciones realizadas o intentadas por terceros. Esta garantía le otorga derechos legales específicos, además de los cuales puede tener otros dependiendo del estado o la provincia en que se encuentre. Además de la garantía, las herramientas DeWALT están cubiertas por:

1 AÑO DE SERVICIO GRATUITO

DeWALT mantendrá la herramienta y reemplazará las piezas gastadas por su uso normal, sin cobro, en cualquier momento durante un año a contar de la fecha de compra. Los artículos gastados por la clavadora, tales como la unidad de hoja y retorno del impulsador, no están cubiertas.

GARANTÍA DE REEMBOLSO DE SU DINERO POR 90 DÍAS

Si no está completamente satisfecho con el desempeño de su máquina herramienta, láser o clavadora DeWALT, cualquiera sea el motivo, podrá devolverlo hasta 90 días de la fecha de compra con su recibo y obtener el reembolso completo de su dinero – sin necesidad de responder a ninguna pregunta.

AMÉRICA LATINA: Esta garantía no se aplica a los productos que se venden en América Latina. Para los productos que se venden en América Latina, debe consultar la información de la garantía específica del país que viene en el empaque, llamar a la compañía local o visitar el sitio Web a fin de obtener esa información.

REEMPLAZO GRATUITO DE LAS ETIQUETAS DE

ADVERTENCIAS: Si sus etiquetas de advertencia se vuelven ilegibles o faltan, llame al 1-800-433-9258 (1-800-4-DEWALT) para que se le reemplacen gratuitamente.

AVVERTENZA
 ATTENZIONE: Leggere attentamente le avvertenze e le istruzioni di sicurezza riportate in questa guida e sul prodotto. Il mancato rispetto delle avvertenze e delle istruzioni di sicurezza può causare lesioni personali o danni al prodotto. Conservare questa guida e le avvertenze e le istruzioni di sicurezza in un luogo sicuro e accessibile per poterle consultare in ogni momento. Le avvertenze e le istruzioni di sicurezza possono variare in base al modello del prodotto. Consultare il manuale di istruzioni per il modello specifico del prodotto. Leggere attentamente le avvertenze e le istruzioni di sicurezza riportate in questa guida e sul prodotto. Il mancato rispetto delle avvertenze e delle istruzioni di sicurezza può causare lesioni personali o danni al prodotto. Conservare questa guida e le avvertenze e le istruzioni di sicurezza in un luogo sicuro e accessibile per poterle consultare in ogni momento. Le avvertenze e le istruzioni di sicurezza possono variare in base al modello del prodotto. Consultare il manuale di istruzioni per il modello specifico del prodotto.

AVVERTENZA
 PER UNO STABILIMENTO DI SICUREZZA, LEGGERE E RISPONDERE ADI AVVERTENZE E ISTRUZIONI DI SICUREZZA. IL MANIPOLARE IL PRODOTTO SENZA ADEGUATE MISURE DI SICUREZZA PUÒ CAUSARE LESIONI PERSONALI O DANNI AL PRODOTTO. CONSERVARE QUESTA GUIDA E LE AVVERTENZE E LE ISTRUZIONI DI SICUREZZA IN UN LUOGO SICURO E ACCESSIBILE PER POTERLE CONSULTARE IN OGNI MOMENTO.

AVERTISSEMENT
 LIREZ-VOUS ATTENTIVEMENTER LES AVERTISSEMENTS ET LES INSTRUCTIONS DE SECURITE. LE MANIPULER LE PRODUIT SANS LES MESURES DE SECURITE APPROPRIATES PEUT CAUSER DES BLESSURES PERSONNELLES OU DES DANNES AU PRODUIT. CONSERVER CE MANUEL ET LES AVERTISSEMENTS ET LES INSTRUCTIONS DE SECURITE EN UN ENDROIT SECUR ET ACCESSIBLE POUR POUVOIR LES CONSULTER EN TOUT MOMENT.

ADVERTENCIA
 LEYER ATENTAMENTE LAS AVERTENCIAS Y LAS INSTRUCCIONES DE SEGURIDAD. EL MANIPULAR EL PRODUCTO SIN TOMAR LAS DEBIDAS MEDIDAS DE SEGURIDAD PUEDE CAUSAR LESIONES PERSONALES O DAÑOS AL PRODUCTO. CONSERVAR ESTE MANUAL EN UN LUGAR SEGURO Y ACCESIBLE PARA PODER CONSULTARLO EN CUALQUIER MOMENTO.

CAUTION
 FOR SAFE OPERATION, ARROW MUST POINT DOWNWARD.
ATTENTION
 POUR ASSURER UNE UTILISATION SECURE, LA FLECHE DOIT POINTER VERS LE BAS.
ATENCIÓN
 PARA UN FUNCIONAMIENTO O SEGURO, LA FLECHA DEBE APUNTAR HACIA ABAJO.



WARNING CONTENTS UNDER PRESSURE. DO NOT PUNCTURE, BURN, HEAT, OR CRUSH. DO NOT SHAKE. PRESSURE MAY BE RELEASED.
AVERTISSEMENT CONTENU SODS PRESION. NE PAS PERCER, CHAUFFER, BRULER, NI CHOCER. NE PAS SECOUER.
ADVERTENCIA CONTIENE BAJO PRESION. NO PERFORAR, INCENDIAR, NI COMPRIMIR. NO AGITAR.



DWX726
 HOLDING METER SAW STAND
 SER: _____
 NUMBER OF PARTS: THIS TOOL HAS 1 PART. NUMBER OF TOOLS: 1. FOR SERVICE INFORMATION, CALL 1-800-433-9258 OR VISIT WWW.DEWALT.COM

AVVERTENZA PRIMA DI IMPAZZARE, LEGGERE IL MANTUALE DEL PRODOTTO E LE AVVERTENZE DI SICUREZZA. IL MANIPOLARE IL PRODOTTO SENZA ADEGUATE MISURE DI SICUREZZA PUÒ CAUSARE LESIONI PERSONALI O DANNI AL PRODOTTO. CONSERVARE QUESTA GUIDA E LE AVVERTENZE E LE ISTRUZIONI DI SICUREZZA IN UN LUOGO SICURO E ACCESSIBILE PER POTERLE CONSULTARE IN OGNI MOMENTO. LE AVVERTENZE E LE ISTRUZIONI DI SICUREZZA POSSONO VARIARE IN BASE AL MODELLO DEL PRODOTTO. CONSULTARE IL MANUALE DI ISTRUZIONI PER IL MODELLO SPECIFICO DEL PRODOTTO.

AVERTISSEMENT PRIMA DE MANIPULER, LIREZ-VOUS ATTENTIVEMENTER LE MANUEL DU PRODUIT ET LES AVERTISSEMENTS DE SECURITE. LE MANIPULER LE PRODUIT SANS LES MESURES DE SECURITE APPROPRIATES PEUT CAUSER DES BLESSURES PERSONNELLES OU DES DANNES AU PRODUIT. CONSERVER CE MANUEL ET LES AVERTISSEMENTS ET LES INSTRUCTIONS DE SECURITE EN UN ENDROIT SECUR ET ACCESSIBLE POUR POUVOIR LES CONSULTER EN TOUT MOMENT. LES AVERTISSEMENTS ET LES INSTRUCTIONS DE SECURITE PEUVENT VARIER EN FONCTION DU MODELE DU PRODUIT. CONSULTER LE MANUEL D'INSTRUCTIONS POUR LE MODELE SPECIFIQUE DU PRODUIT.

ADVERTENCIA ANTES DE USAR EL PRODUCTO, LEYER EL MANTUAL DEL PRODUCTO Y LAS AVERTENCIAS DE SEGURIDAD. EL MANIPULAR EL PRODUCTO SIN TOMAR LAS DEBIDAS MEDIDAS DE SEGURIDAD PUEDE CAUSAR LESIONES PERSONALES O DAÑOS AL PRODUCTO. CONSERVAR ESTE MANUAL EN UN LUGAR SEGURO Y ACCESIBLE PARA PODER CONSULTARLO EN CUALQUIER MOMENTO. LAS AVERTENCIAS Y LAS INSTRUCCIONES DE SEGURIDAD PUEDEN VARIAR EN FUNCIÓN DEL MODELO DEL PRODUCTO. CONSULTAR EL MANUAL DE INSTRUCCIONES PARA EL MODELO ESPECÍFICO DEL PRODUCTO.

Solamente para propósito de México:
 Importado por: DeWALT Industrial Tool Co. S.A. de C.V.
 Avenida Antonio Dovali Jaime, # 70 Torre B Piso 9
 Colonia La Fe, Santa Fé
 Código Postal : 01210
 Delegación Alvaro Obregón
 México D.F.
 Tel. (52) 555-326-7100
 R.F.C.: BDE810626-1W7

DeWALT Industrial Tool Co., 701 East Joppa Road, Towson, MD 21286

(JUL16) Part No. N479683 DWX726 Copyright © 2011, 2013, 2015, 2016 DeWALT

The following are trademarks for one or more DeWALT power tools: the yellow and black color scheme, the “D” shaped air intake grill, the array of pyramids on the handgrip, the kit box configuration, and the array of lozenge-shaped humps on the surface of the tool.