

**INSTRUCTION MANUAL
GUIDE D'UTILISATION
MANUAL DE INSTRUCCIONES**

INSTRUCTIVO DE OPERACIÓN, CENTROS DE SERVICIO Y PÓLIZA
DE GARANTÍA. **ADVERTENCIA:** LÉASE ESTE INSTRUCTIVO ANTES
DE USAR EL PRODUCTO.

Air-Mate
by Englo

AM782HC4V

Contractor's Electric 4 Gallon Hand Carry Air Compressor

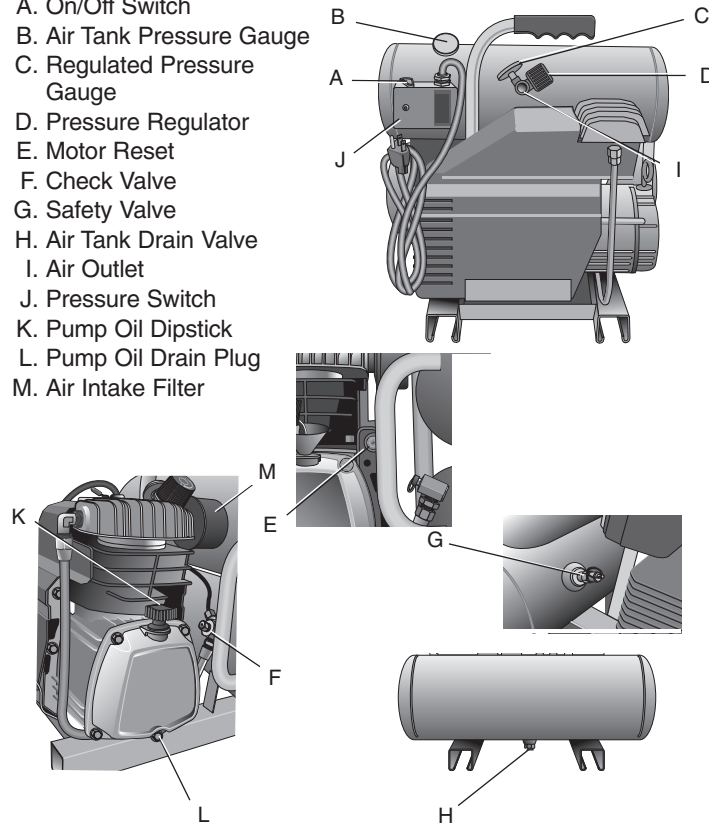
Compresseurs d'air portatifs électriques de 4 gallons de classe entrepreneur

Compresor de aire portátil eléctrico de 4 galones para contratistas

Air Compressor

- A. On/Off Switch
- B. Air Tank Pressure Gauge
- C. Regulated Pressure Gauge
- D. Pressure Regulator
- E. Motor Reset
- F. Check Valve
- G. Safety Valve
- H. Air Tank Drain Valve
- I. Air Outlet
- J. Pressure Switch
- K. Pump Oil Dipstick
- L. Pump Oil Drain Plug
- M. Air Intake Filter

FIG. 1

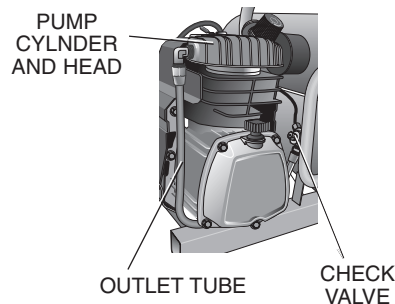


Specifications

MODEL	AM782HC4V
WEIGHT	56.5 lbs. (25.6 kg)
HEIGHT	16.75" (501.7 mm)
WIDTH	18.5" (469.9 mm)
LENGTH	18.0" (457.2 mm)
AIR TANK CAPACITY (GALLONS)	4.0 (15.1 liters)
APPROX CUT-IN PRESSURE	95 PSI (655 kPa)
APPROX. CUT-OUT PRESSURE	125 PSI (861.8 kPa)
SCFM @ 100 PSI (689.5 kPa)	3.8
MOTOR	1.1 HP (continuous)
Volts/Amps/Hertz	120V/15 A/60 Hz.
RPM	3400
Minumum Branch Circuit Requirement	15 Amp
PUMP OIL CAPACITY	12 oz. (354.9 ml)

Hot Surfaces

FIG. 2



Definitions: Safety Guidelines

The definitions below describe the level of severity for each signal word. Please read the manual and pay attention to these symbols.

▲DANGER: Indicates an imminently hazardous situation which, if not avoided, **will** result in **death or serious injury**.

▲WARNING: Indicates a potentially hazardous situation which, if not avoided, **could** result in **death or serious injury**.

▲CAUTION: Indicates a potentially hazardous situation which, if not avoided, **may** result in **minor or moderate injury**.

CAUTION: Used without the safety alert symbol indicates a potentially hazardous situation which, if not avoided, **may** result in **property damage**.

IF YOU HAVE ANY QUESTIONS OR COMMENTS ABOUT THIS OR ANY AIR-MATE TOOL, CALL US TOLL FREE AT: **1-888-88EMGLO (1-888-883-6456)**.

Important Safety Instructions

▲WARNING: Do not operate this unit until you read and understand this instruction manual for safety, operation and maintenance instructions.

▲WARNING: Some dust created by power sanding, sawing, grinding, drilling, and other construction activities contains chemicals known to the State of California to cause cancer, birth defects or other reproductive harm. Some example of these chemicals are:

- lead from lead-based paints
- crystalline silica from bricks and cement and other masonry products
- arsenic and chromium from chemically-treated lumber

Your risk from these exposures varies, depending on how often you do this type of work. To reduce your exposure to these chemicals: work in a well ventilated area, and work with approved safety equipment, always wear OSHA/MSHA/NIOSH approved, properly fitting face mask or respirator when using such tools.

When using air tools, basic safety precautions should always be followed to reduce the risk of of personal injury.

▲WARNING: This product contains chemicals, including lead, known to the State of California to cause cancer, and birth defects or other reproductive harm. Wash hands after handling.

SAVE THESE INSTRUCTION



⚠ DANGER: RISK OF EXPLOSION OR FIRE

WHAT CAN HAPPEN

- It is normal for electrical contacts within the motor and pressure switch to spark.
- If electrical sparks from compressor come into contact with flammable vapors, they may ignite, causing fire or explosion.

- Restricting any of the compressor ventilation openings will cause serious overheating and could cause fire.

HOW TO PREVENT IT

- Always operate the compressor in a well ventilated area free of combustible materials, gasoline or solvent vapors.
- If spraying flammable materials, locate compressor at least 20' (6.1 m) away from spray area. An additional length of hose may be required.
- Store flammable materials in a secure location away from compressor.
- Never place objects against or on top of compressor.
- Operate compressor in an open area at least 12" (30.5 cm) away from any wall or obstruction that would restrict the flow of fresh air to the ventilation openings.
- Operate compressor in a clean, dry well ventilated area. Do not operate unit indoors or in any confined area.

- Unattended operation of this product could result in personal injury or property damage. To reduce the risk of fire, do not allow the compressor to operate unattended.

- Always remain in attendance with the product when it is operating.
- Always turn off and unplug unit when not in use.



⚠ DANGER: RISK TO BREATHING (ASPHYXIATION)

WHAT CAN HAPPEN

- The compressed air directly from your compressor is not safe for breathing. The air stream may contain carbon monoxide, toxic vapors, or solid particles from the air tank. Breathing these contaminants can cause serious injury or death.

HOW TO PREVENT IT

- Air obtained directly from the compressor should never be used to supply air for human consumption. In order to use air produced by this compressor for breathing, suitable filters and in-line safety equipment must be properly installed. In-line filters and safety equipment used in conjunction with the compressor must be capable of treating air to all applicable local and federal codes prior to human consumption.

- Sprayed materials such as paint, paint solvents, paint remover, insecticides, weed killers, may contain harmful vapors and poisons.
- Work in an area with good cross ventilation. Read and follow the safety instructions provided on the label or safety data sheets for the materials you are spraying. Always use certified safety equipment: OSHA/MSHA/NIOSH respiratory protection designed for use with your specific application.



▲DANGER: RISK OF INJURY OR PROPERTY DAMAGE WHEN TRANSPORTING OR STORING

WHAT CAN HAPPEN

- Oil can leak or spill and could result in fire or breathing hazard; serious injury or death can result. Oil leaks will damage carpet, paint or other surfaces in vehicles or trailers.

HOW TO PREVENT IT

- Always place compressor on a protective mat when transporting to protect against damage to vehicle from leaks. Remove compressor from vehicle immediately upon arrival at your destination. Always keep compressor level and never lie on its side.



▲WARNING: RISK OF BURSTING

Air Tank: The air tank on your Air Compressor is designed and may be UM coded (for units with air tanks greater than 6" (152 mm) diameter) according to ASME Section VIII, Div. 1 rules. All pressure vessels should be inspected once every two years. To find your state pressure vessels inspector, look under the Division of Labor and Industries in the government section of a phone book or call 1-888-88EMGLO (1-888-883-6456) for assistance.

The following conditions could lead to a weakening of the air tank, and result in a violent air tank explosion:

WHAT CAN HAPPEN

- Failure to properly drain condensed water from air tank, causing rust and thinning of the steel air tank.
- Modifications or attempted repairs to the air tank.
- Unauthorized modifications to the safety valve or any other components which control air tank pressure.

HOW TO PREVENT IT

- Drain air tank daily or after each use. If air tank develops a leak, replace it immediately with a new air tank or replace the entire compressor.
- Never drill into, weld, or make any modifications to the air tank or its attachments. Never attempt to repair a damaged or leaking air tank. Replace with a new air tank.
- The air tank is designed to withstand specific operating pressures. Never make adjustments or parts substitutions to alter the factory set operating pressures.

English

Attachments & accessories:

- Exceeding the pressure rating of air tools, spray guns, air operated accessories, tires and other inflatables can cause them to explode or fly apart, and could result in serious injury.
- Follow the equipment manufacturers recommendation and never exceed the maximum allowable pressure rating of attachments. Never use compressor to inflate small low pressure objects such as children's toys, footballs, basketballs, etc.



⚠WARNING: RISK OF ELECTRICAL SHOCK

WHAT CAN HAPPEN

- Your air compressor is powered by electricity. Like any other electrically powered device, If it is not used properly it may cause electric shock.
- Repairs attempted by unqualified personnel can result in serious injury or death by electrocution.

HOW TO PREVENT IT

- Never operate the compressor outdoors when it is raining or in wet conditions.
- Never operate compressor with protective covers removed or damaged.
- Any electrical wiring or repairs required on this product should be performed by an authorized service center in accordance with national and local electrical codes.

• Electrical Grounding:

Failure to provide adequate grounding to this product could result in serious injury or death from electrocution. See **Grounding Instructions** under *Installation*.

- Make certain that the electrical circuit to which the compressor is connected provides proper electrical grounding, correct voltage and adequate fuse protection.



⚠WARNING: RISK FROM FLYING OBJECTS

WHAT CAN HAPPEN

- The compressed air stream can cause soft tissue damage to exposed skin and can propel dirt, chips, loose particles and small objects at high speed, resulting in property damage or personal injury.

HOW TO PREVENT IT

- Always wear certified safety equipment: ANSI Z87.1 eye protection (CAN/CSA Z94.3) with side shields when using the compressor.
- Never point any nozzle or sprayer toward any part of the body or at other people or animals.
- Always turn the compressor off and bleed pressure from the air hose and air tank before attempting maintenance, attaching tools or accessories.



⚠WARNING: RISK OF HOT SURFACES

WHAT CAN HAPPEN

- Touching exposed metal such as the compressor head, engine head, engine exhaust or outlet tubes, can result in serious burns.

HOW TO PREVENT IT

- Never touch any exposed metal parts on compressor during or immediately after operation. Compressor will remain hot for several minutes after operation.
- Do not reach around protective shrouds or attempt maintenance until unit has been allowed to cool.



⚠WARNING: RISK FROM MOVING PARTS

WHAT CAN HAPPEN

- Moving parts such as the pulley, flywheel and belt can cause serious injury if they come into contact with you or your clothing.

HOW TO PREVENT IT

- Never operate the compressor with guards or covers which are damaged or removed.
- Keep your hair, clothing and gloves away from moving parts. Loose clothes, jewelry, or long hair can be caught in moving parts.
- Air vents may cover moving parts and should be avoided as well.

- Attempting to operate compressor with damaged or missing parts or attempting to repair compressor with protective shrouds removed can expose you to moving parts and can result in serious injury.
- Any repairs required on this product should be performed by an authorized service center.



⚠WARNING: RISK OF UNSAFE OPERATION

WHAT CAN HAPPEN

- Unsafe operation of your air compressor could lead to serious injury or death to you or others.

HOW TO PREVENT IT

- Review and understand all instructions and warnings in this manual.
- Become familiar with the operation and controls of the air compressor.
- Keep operating area clear of all persons, pets, and obstacles.
- Keep children away from the air compressor at all times.
- Do not operate the product when fatigued or under the influence of alcohol or drugs. Stay alert at all times.
- Never defeat the safety features of this product.

- Equip area of operation with a fire extinguisher.
- Do not operate machine with missing, broken, or unauthorized parts.



⚠ WARNING: RISK OF FALLING

WHAT CAN HAPPEN

- A portable compressor can fall from a table, workbench or roof causing damage to the compressor and could result in serious injury or death to the operator.

HOW TO PREVENT IT

- Always operate compressor in a stable secure position to prevent accidental movement of the unit. Never operate compressor on a roof or other elevated position. Use additional air hose to reach high locations.



⚠ CAUTION: RISK FROM NOISE

WHAT CAN HAPPEN

- Under some conditions and duration of use, noise from this product may contribute to hearing loss.

HOW TO PREVENT IT

- Always wear certified safety equipment: ANSI S12.6 (S3.19) hearing protection.

**SAVE THESE INSTRUCTIONS
FOR FUTURE USE**

FEATURES (Fig. 1)

ON/OFF SWITCH

Place this switch (A) in the ON position to provide automatic power to the pressure switch and OFF to remove power at the end of each use.

PRESSURE SWITCH

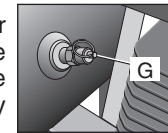
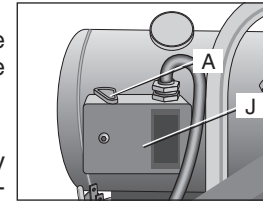
The pressure switch (J) automatically starts the motor when the air tank pressure drops below the factory set **cut-in** pressure. It stops the motor when the air tank pressure reaches the factory set **cut-out** pressure.

PRESSURE RELEASE VALVE

The pressure release valve located on the side of the pressure switch, is designed to automatically release compressed air from the compressor head and the outlet tube when the air compressor reaches **cut-out** pressure or is shut off. The pressure release valve allows the motor to restart freely. When the motor stops running, air will be heard escaping from this valve for a few seconds. No air should be heard leaking when the motor is running or after the unit reaches **cut-out** pressure.

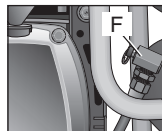
SAFETY VALVE

If the pressure switch does not shut off the air compressor at its cut-out pressure setting, the safety valve (G) will protect against high pressure by popping out at its factory set pressure (slightly higher than the pressure switch cut-out setting).



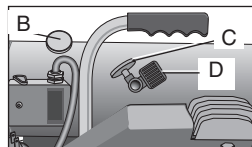
CHECK VALVE

When the air compressor is operating, the check valve (F) is open, allowing compressed air to enter the air tank. When the air compressor reaches cut-out pressure, the check valve closes, allowing air pressure to remain inside the air tank.



TANK PRESSURE GAUGE

The tank pressure gauge (B) indicates the reserve air pressure in the tank.



OUTLET PRESSURE GAUGE

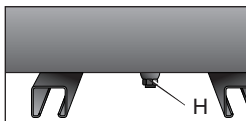
The outlet pressure gauge (C) indicates the air pressure available at the outlet side of the regulator. This pressure is controlled by the regulator and is always less than or equal to the tank pressure.

REGULATOR

The regulator (D) controls the air pressure shown on the outlet pressure gauge. Turn regulator knob clockwise to increase pressure and counterclockwise to decrease pressure.

DRAIN VALVE

The drain valve (H) is located at the base of the air tank and is used to drain condensation at the end of each use. See **Draining Air Tank** under *Maintenance*.



COOLING SYSTEM

This compressor contains an advanced design cooling system. It is normal for this fan to blow air through the vent holes in large amounts. The cooling system is working when air is expelled.

AIR COMPRESSOR PUMP

The pump compresses air into the air tank. Working air is not available until the compressor has raised the air tank pressure above that required at the air outlet.

MOTOR OVERLOAD PROTECTOR

This motor has a manual thermal overload protector. If the motor overheats for any reason, the overload protector will shut off the motor. The motor must be allowed to cool down before restarting. To restart:

1. Ensure the On/Off switch (A) is in the OFF position.
2. Allow the motor to cool.
3. Depress the reset button (E) on the motor.

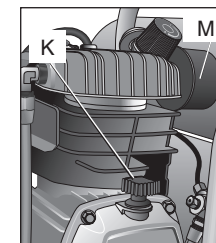


OIL DIPSTICK

The oil dipstick (K) indicates the amount of oil in the pump. Check pump oil daily, see **Compressor Pump Oil** under *Maintenance*.

AIR INTAKE FILTER

The filter (M) is designed to clean air entering the pump. To ensure the pump continually receives a clean, cool, and dry air supply the filter must always be clean and the filter intake must be free from obstructions.



INSTALLATION

Assembly

INSTALLING HOSES

▲ WARNING: Risk of unsafe operation. Firmly grasp hose in hand when installing or disconnecting to prevent hose whip.

1. Ensure regulated pressure gauge reads 0 PSI (0 kPa).
2. Apply sealant tape to hose threads.
3. Assemble hose to air outlet (I). **IMPORTANT:** Do not assemble splitters directly to the air outlet (I).

NOTE: Assembling quick connect bodies to air outlet (I) and quick connect plugs to hose ends make connecting and disconnecting hoses simple and easy. Quick connect bodies and plugs are available for purchase from your local dealer or authorized service center.

DISCONNECTING HOSES

▲ WARNING: Risk of unsafe operation. Firmly grasp hose in hand when installing or disconnecting to prevent hose whip.

1. Ensure regulated pressure gauge reads 0 PSI (0 kPa).
2. Remove hose(s) from air outlet(s) (I).

Lubrication and Oil

CAUTION: The compressor was shipped without oil in the crankcase. A small amount of oil may be present in the pump upon receipt of the air compressor. This is due to testing and does not mean the pump contains oil. Do not attempt to operate this air compressor without first adding oil to the crankcase. Serious damage can result from even limited operation unless filled with oil and broken in correctly. Closely follow **Initial Set-up** under Operation.

CAUTION: Multi-viscosity motor oils, like 10W-30, should not be used in an air compressor. They leave carbon deposits on critical components, thus reducing performance and compressor life. Use ISO 100/SAE40, non-detergent, premium air compressor oil only.

1. Place unit on a level surface.
2. Remove dipstick (K) and slowly add ISO 100/SAE40, non-detergent, premium air compressor oil (supplied). **NOTE:** See Specifications for pump oil capacity.

CAUTION: Risk of unsafe operation. Overfilling with oil will cause premature compressor failure. Do not overfill.

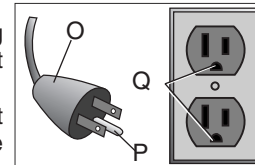
3. Replace dipstick.

Grounding Instructions

▲ WARNING: Risk of electrical shock. In the event of a short circuit, grounding reduces the risk of shock by providing an escape wire for the electric current. This air compressor must be properly grounded.

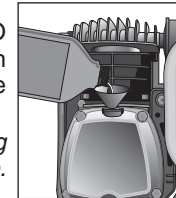
The portable air compressor is equipped with a cord having a grounding wire with an appropriate grounding plug.

1. The cord set and plug (O) with this unit contains a grounding pin (P). This plug **MUST** be used with a grounded outlet (Q).



IMPORTANT: The outlet being used must be installed and grounded in accordance with all local codes and ordinances.

2. Ensure the outlet being used has the same configuration as the grounded plug. **DO NOT USE AN ADAPTER.**
3. Inspect the plug and cord before each use. Do not use if there are signs of damage.
4. If these grounding instructions are not completely understood, or if in doubt as to whether the compressor is properly grounded, have the installation checked by a qualified electrician.



▲ DANGER: Risk of electrical shock. **IMPROPER GROUNDING CAN RESULT IN ELECTRICAL SHOCK.**

- Do not modify the plug provided. If it does not fit the available outlet, a correct outlet should be installed by a qualified electrician.
- Repairs to the cord set or plug **MUST** be made by a qualified electrician.

Extension Cords

Using extension cords is not recommended. The use of extension cords will cause voltage to drop resulting in power loss to the motor and overheating.

Instead of using an extension cord, increase the working reach of the air hose by attaching another length of hose to its end. Attach additional lengths of hose as needed.

If an extension cord must be used, be sure it is:

- a 3-wire extension cord that has a 3-blade grounding plug, and a 3-slot receptacle that will accept the plug on the product
- in good condition
- no longer than 50 feet (15,2 m)
- 12 gauge (AWG) or larger. (Wire size increases as gauge number decreases. 10 AWG and 8 AWG may also be used. **DO NOT USE 14 OR 16 AWG.**)

Voltage and Circuit Protection

Refer to the **Voltage and Minimum Branch Circuit Requirements** under *Specifications*.

▲ CAUTION: Certain air compressors can be operated on a 15 amp circuit if the following conditions are met.

- Voltage supply to circuit must comply with the National Electrical Code.

- Circuit is not used to supply any other electrical needs.
- Extension cords comply with specifications.
- Circuit is equipped with a 15 amp circuit breaker or 15 amp time delay fuse. **NOTE:** If compressor is connected to a circuit protected by fuses, use only time delay fuses. Time delay fuses should be marked "D" in Canada and "T" in the US.

If any of the above conditions cannot be met, or if operation of the compressor repeatedly causes interruption of the power, it may be necessary to operate it from a 20 amp circuit. It is not necessary to change the cord set.

Compatibility

Air tools and accessories that are run off the compressor must be compatible with petroleum-based products. If you suspect that a material is not compatible with petroleum products, an air line filter for removal of moisture and oil vapor in compressed air is required.

NOTE: Always use an air line filter to remove moisture and oil vapor when spraying paint.

Location

CAUTION: Risk of property damage. In order to avoid damaging the air compressor, do not allow the unit to be tilted more than 10° when operating.

Place the air compressor in a clean, dry and well ventilated area at least 12" (30.5 cm) away from the wall or other obstructions that will interfere with the flow of air. Keep the compressor away from areas that have dirt and/or volatile fumes in the atmosphere. These impurities may clog the intake filter and valves, causing inefficient operation.

The air compressor pump and shroud are designed to allow for proper cooling. The ventilation openings on the compressor are necessary to maintain proper operating temperature. Do not place rags or other containers on or near these openings.

Place the air compressor on a flat surface resting on the rubber feet.

NOISE CONSIDERATIONS

Consult local officials for information regarding acceptable noise levels in your area. To reduce excessive noise, use vibration mounts or silencers, relocate the unit or construct total enclosures or baffle walls. Contact an authorized service center or call 1-888-88EMGLO (1-888-883-6456) for assistance.

ELECTRICAL

Refer to all safety instructions before using unit. Observe extension cord safety instructions if necessary. Always move the On/Off switch (A) to the OFF position before removing the plug from the outlet.

TRANSPORTING

When transporting the compressor in a vehicle, trailer, etc., ensure that the tank is drained and the unit is secured. Use care when driving to avoid tipping the unit over in the vehicle. Damage can occur to the compressor or surrounding items if the compressor is tipped.

MOVING

When moving the compressor, grasp the handle and carry the compressor as close to the body as possible.

▲ WARNING: *Risk of unsafe operation. Ensure proper footing and use caution when carrying compressor to avoid a loss of balance.*

PREPARATION FOR USE

Pre-Start Checklist (Fig. 1)

1. Ensure the On/Off switch (A) is in the OFF position.
2. Plug the power cord into the correct branch circuit receptacle. See **Voltage and Circuit Protection** under *Installation*.
3. Ensure air tank is drained, see **Draining Air Tank** under *Maintenance*.
4. Ensure the drain valve (H) is closed.
5. Ensure safety valve (G) is functioning properly, see **Checking Safety Valve** under *Maintenance*.
6. Check pump oil level, see **Compressor Pump Oil** under *Maintenance*.

CAUTION: *Do not operate without oil or with inadequate oil. AIR-MATE is not responsible for compressor failure caused by inadequate oil.*

7. Turn regulator knob (D) counterclockwise until fully closed. Ensure regulated pressure gauge reads 0 PSI (0 kPa).
8. Attach hose and accessories.

▲ WARNING: *Risk of unsafe operation. Firmly grasp hose in hand when installing or disconnecting to prevent hose whip.*

9. Ensure all covers and labels are in place, legible (for labels) and securely mounted. Do not use compressor until all items have been verified.

▲ WARNING: *Risk of bursting. Too much air pressure causes a hazardous risk of bursting. Check the manufacturer's maximum pressure rating for air tools and accessories. The regulator outlet pressure must never exceed the maximum pressure rating.*

Initial Set-up (Fig. 1)

▲ WARNING: Do not operate this unit until you read and understand this instruction manual for safety, operation and maintenance instructions.

BREAK-IN PROCEDURE

▲ WARNING: Serious damage may result if the following break-in instructions are not closely followed.

This procedure is required **before** the air compressor is put into service for the first time and when the check valve or a compressor pump/motor has been replaced.

1. Ensure the On/Off switch (A) is in the OFF position.
2. Plug the power cord into the correct branch circuit receptacle. See **Voltage and Circuit Protection** under *Installation*.
3. Open the drain valve (counterclockwise) fully to permit air to escape and prevent air pressure build up in the air tank during the break-in period.
4. Move the On/Off switch to the ON position. The compressor will start.
5. Run the compressor for 20 minutes.
6. After 20 minutes, close the drain valve by turning clockwise. The tank will fill to **cut-out** pressure and the motor will stop.
7. Compressed air will be available until it is used or bled off.

OPERATING PROCEDURES

Start-up (Fig. 1)

1. Follow **Pre-Start Checklist** under *Preparation for Use*.
2. Move the On/Off switch to the ON position and allow tank pressure to build. Motor will stop when tank pressure reaches **cut-out** pressure.

CAUTION: Risk of unsafe operation. Compressed air from the unit may contain water condensation and oil mist. Do not spray unfiltered air at an item that could be damaged by moisture. Some air operated tools or devices may require filtered air. Read the instructions for the air tool or device.

3. Adjust regulator (D) to desired setting. See **Regulator** under *Features*.

Shut-down (Fig. 1)

1. Move On/Off switch (A) is in the OFF position. **NOTE:** If finished using compressor, follow Steps 2 - 6.
2. Turn regulator knob (D) counterclockwise until fully closed. Ensure regulated pressure gauge reads 0 PSI (0 kPa).
3. Remove hose and accessory.
4. Drain the air tank, see **Draining Air Tank** under *Maintenance*. Ensure air tank pressure gauge reads 0 PSI (0 kPa).

▲ WARNING: Risk of bursting. Drain air tank daily. Water will condense in air tank. If not drained, water will corrode and weaken the air tank causing a risk of air tank rupture.

5. Allow the compressor to cool down.
6. Wipe air compressor clean and store in a safe, non-freezing area.

MAINTENANCE

The following procedures must be followed when maintenance or service is performed on the air compressor.

1. Ensure On/Off switch is in the OFF position.
2. Remove air compressor plug from outlet.
3. Drain air tank.
4. Allow air compressor to cool down before starting service.

NOTE: All compressed air systems contain maintenance parts (e.g., oil, filters, separators) that are periodically replaced. These used parts may contain substances that are regulated and must be disposed of in accordance with local, state, and federal laws and regulations.

NOTE: Take note of the positions and locations of parts during disassembly to make reassembly easier.

NOTE: Any service operations not included in this section should be performed by an authorized service center.

Maintenance Chart

Procedure	Daily	Weekly	Monthly	1 year or 200 Hours
Check safety valve	X			
Inspect air filter +		X		
Drain air tank	X			
Check pump oil level	X			
Change pump oil**+				X
Oil leak inspection	X			
Check for unusual noise/vibration	X			
Check for air leaks*	X			
Clean compressor exterior		X		

* To check for air leaks apply a solution of soapy water around joints. While compressor is pumping to pressure and after pressure cuts out, look for air bubbles to form.

** The pump oil must be changed after the first 20 hours of operation. Thereafter, when using ISO 100/SAE40, non-detergent, premium air compressor oil, change oil every 200 hours of operation or once a year, whichever comes first.

+ Perform more frequent in dusty or humid conditions

Checking Safety Valve (Fig. 1)

▲WARNING: Hot surfaces. Risk of burn. Aftercooler, pump head, and surrounding parts are very hot, do not touch (see the Hot Surfaces identified in Fig. 2). Allow compressor to cool prior to servicing.

▲WARNING: Risk of bursting. If the safety valve does not work properly, over-pressurization may occur, causing air tank rupture or an explosion.

Before starting compressor, pull the ring on the safety valve to make sure that the safety valve operates freely. If the valve is stuck or does not operate smoothly, it must be replaced with the same type of valve.

Checking Air Filter Element (Fig. 1)

▲WARNING: Hot surfaces. Risk of burn. Aftercooler, pump head, and surrounding parts are very hot, do not touch (see the Hot Surfaces identified in Fig. 2). Allow compressor to cool prior to servicing.

1. Ensure the On/Off switch (A) is in the OFF position.
2. Allow unit to cool.
3. Remove air filter (M) from unit.
4. Carefully pry filter top from base.
5. Remove element from filter base.
6. If element needs cleaning, blow out with air. Replace if needed. Purchase replacement parts from your local dealer or authorized service center. Always use identical replacement parts.
7. Place element back in filter base.

8. Snap filter top to filter base.
9. Reassemble air filter to unit. Ensure exhaust outlet points down.

▲CAUTION: Risk of unsafe operation. Do not operate without air inlet filter

Draining Air Tank (Fig. 1)

▲WARNING: Risk of unsafe operation. Risk from noise. Air tanks contain high pressure air. Keep face and other body parts away from outlet of drain. Use safety glasses [ANSI Z87.1 (CAN/CSA Z94.3)] when draining as debris can be kicked up into face. Use ear protection [ANSI S12.6 (S3.19)] as air flow noise is loud when draining.

NOTE: All compressed air systems generate condensate that accumulates in any drain point (e.g. tanks, filter, aftercoolers, dryers). This condensate contains lubricating oil and/or substances which may be regulated and must be disposed of in accordance with local, state, and federal laws and regulations.

1. Ensure On/Off switch is in the OFF position.
2. Move compressor into an inclined position so drain valve (H) is at the lowest point (this will assist in removing moisture, dirt, etc. from air tanks)
3. Place a suitable container under the drain valve to catch discharge.
4. Grasp knurled knob on drain valve.
5. Slowly rotate knob to gradually bleed air from air tank.

▲WARNING: Risk of bursting. Drain air tank daily. Water will condense in air tank. If not drained, water will corrode and weaken the air tank causing a risk of air tank rupture.

CAUTION: Risk of property damage. Drain water from air tank may contain oil and rust, which can cause stains.

6. When air tank pressure gauge reads 10 PSI (68,9 kPa), rotate valve to the fully open position.

7. Close drain valve when finished.

Compressor Pump Oil (Fig. 1)

CHECKING OIL

▲WARNING: Hot surfaces. Risk of burn. Aftercooler, pump head, and surrounding parts are very hot, do not touch (see the Hot Surfaces identified in Fig. 2). Allow compressor to cool prior to servicing.

1. Ensure On/Off switch is in the OFF position.
2. Place unit on a flat level surface.
3. Remove dipstick (K) and wipe clean.
4. Reinsert dipstick fully into oil fill port for a few seconds to allow oil to collect on the dipstick.
5. Remove oil dipstick to read oil level. Oil should not exceed top raised line on dipstick. If oil is below lower mark, add ISO 100/SAE40, non-detergent, premium air compressor oil and follow Steps 4 - 6.

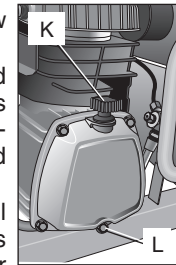
NOTE: When filling the crankcase, the oil flows very slowly into the pump. If the oil is added too quickly, it will overflow and appear to be full.

▲CAUTION: Risk of unsafe operation. Overfilling with oil will cause premature compressor failure. Do not overfill.

6. Replace dipstick.

CHANGING OIL

NOTE: Pump oil contains substances that are regulated and must be disposed of in accordance with local, state and federal laws and regulations.



▲WARNING: Hot surfaces. Risk of burn. Aftercooler, pump head, and surrounding parts are very hot, do not touch (see the Hot Surfaces identified in Fig. 2). Allow compressor to cool prior to servicing.

1. Ensure On/Off switch is in the OFF position.
2. Allow the unit to cool.
3. Remove air compressor plug from outlet.
4. Drain air tank.
5. Locate a suitable container under pump drain plug (L).
6. Remove the dipstick (K) from crankcase.
7. Remove the oil drain plug (L).
8. Allow ample time for all oil to drain out. (Tilting the compressor towards the drain plug will assist in draining.)
9. Install the oil drain plug.
10. Fill pump with ISO 100/SAE40, non-detergent, premium air compressor oil.
11. Replace dipstick.

ACCESSORIES

Recommended accessories for use with your tool are available for purchase from your local dealer or authorized service center. If you need assistance in locating any accessory for your tool, please contact AIR-MATE Compressors, 701 East Joppa Road, Baltimore, MD 21286 or call 1-888-88EMGLO (1-888-883-6456).

▲CAUTION: The use of any other accessory not recommended for use with this tool could be hazardous. Use only accessories rated equal to or higher than the rating of the air compressor.

SERVICE INFORMATION

Please have the following information available for all service calls:
 Model Number _____ Serial Number _____
 Date and Place of Purchase _____

Repairs

To assure product SAFETY and RELIABILITY, repairs, maintenance and adjustment should be performed by an authorized service center or other qualified service personnel. Always use identical replacement parts.

Full One Year Warranty

AIR-MATE air compressors are warranted for one year from date of purchase. We will repair, without charge, any defects due to faulty materials or workmanship. For warranty repair information, call 1-888-88EMGLO (1-888-883-6456). This warranty does not apply to accessories or damage caused where repairs have been made or attempted by others. This warranty gives you specific legal rights and you may have other rights which vary in certain states or provinces.

FREE WARNING LABEL REPLACEMENT: If your warning labels become illegible or are missing, call 1-888-88EMGLO (1-888-883-6456) for a free replacement.

<p>▲WARNING</p> <p>TO REDUCE THE RISK OF BURN, HOT SURFACES IDENTIFIED BETWEEN FIGURES 1 AND 2 SHOULD BE KEPT CLEAR OF ALL PERSONS. HOT SURFACES WILL BECOME VERY HOT DURING OPERATION. ALWAYS USE THE PROPERLY TRAINED PERSONNEL TO SERVICER THE AIR COMPRESSOR. ALWAYS WEAR THE PROPERLY TRAINED PERSONNEL TO SERVICER THE AIR COMPRESSOR. ALWAYS WEAR THE PROPERLY TRAINED PERSONNEL TO SERVICER THE AIR COMPRESSOR. ALWAYS WEAR THE PROPERLY TRAINED PERSONNEL TO SERVICER THE AIR COMPRESSOR.</p>	<p>▲ADVERTENCIA</p> <p>PARA REDUCIR EL RIESGO DE QUEMADURAS, LAS SUPERFICIES IDENTIFICADAS ENTRE LAS FIGURAS 1 Y 2 DEBEN MANTENERSE LIBRES DE PERSONAS. LAS SUPERFICIES SE CALIENTAN MUY CALIENTES DURANTE EL USO. SIEMPRE USE PERSONAL CALIFICADO PARA SERVICIAR EL COMPRESOR DE AIRE. SIEMPRE USE PERSONAL CALIFICADO PARA SERVICIAR EL COMPRESOR DE AIRE. SIEMPRE USE PERSONAL CALIFICADO PARA SERVICIAR EL COMPRESOR DE AIRE. SIEMPRE USE PERSONAL CALIFICADO PARA SERVICIAR EL COMPRESOR DE AIRE.</p>	<p>▲AVERTISSEMENT</p> <p>Pour réduire le risque de brûlure, les surfaces identifiées entre les figures 1 et 2 doivent être maintenues libres de personnes. Les surfaces deviennent très chaudes pendant l'utilisation. Utilisez toujours du personnel qualifié pour effectuer les réparations de l'air comprimé. Utilisez toujours du personnel qualifié pour effectuer les réparations de l'air comprimé. Utilisez toujours du personnel qualifié pour effectuer les réparations de l'air comprimé. Utilisez toujours du personnel qualifié pour effectuer les réparations de l'air comprimé.</p>	
<p>▲WARNING</p> <p>DO NOT ADJUST FACTORY SETTINGS TO REDUCE RISK OF ELECTRIC SHOCK. DO NOT REMOVE COVER. PRESSURE CONTROLS SET AT FACTORY FOR MAXIMUM SAFE OPERATION.</p> <p>▲ADVERTENCIA</p> <p>NO HAGAS CAMBIOS EN LOS AJUSTES DE FÁBRICA PARA REDUCIR EL RIESGO DE CHOQUE ELÉCTRICO. LAS CONTROLES DE PRESIÓN SE AJUSTAN EN LA FÁBRICA PARA UNA OPERACIÓN SEGURA.</p> <p>▲AVERTISSEMENT</p> <p>NE PAS MODIFIER LES RÉGLAGES D'USINE POUR RÉDUIRE LES RISQUES DE CHOC ÉLECTRIQUE. LA PRESSION EST RÉGLÉE EN USINE POUR UN FONCTIONNEMENT SÛR.</p>	<p>▲WARNING</p> <p>DRAIN TANK DAILY</p> <p>SEE MANUAL FOR DRAINING PROCEDURES</p> <p>TO DRAIN TANK, OPEN TANK DRAIN AND TIGHTEN. RECHECK PRESSURE CONTROLS.</p> <p>▲WARNING</p> <p>HOT SURFACES</p>	<p>▲DANGER</p> <p>Risk of Injury - Higher risk of burn if compressed air is directed into face. Do not use compressed air to clean face or body. Do not use compressed air to clean clothes. Do not use compressed air to clean skin. Do not use compressed air to clean hair. Do not use compressed air to clean eyes. Do not use compressed air to clean ears. Do not use compressed air to clean nose. Do not use compressed air to clean mouth. Do not use compressed air to clean throat. Do not use compressed air to clean lungs. Do not use compressed air to clean stomach. Do not use compressed air to clean intestines. Do not use compressed air to clean rectum. Do not use compressed air to clean vagina. Do not use compressed air to clean penis. Do not use compressed air to clean testicles. Do not use compressed air to clean scrotum. Do not use compressed air to clean anus. Do not use compressed air to clean perineum. Do not use compressed air to clean buttocks. Do not use compressed air to clean thighs. Do not use compressed air to clean legs. Do not use compressed air to clean feet. Do not use compressed air to clean toes. Do not use compressed air to clean nails. Do not use compressed air to clean fingers. Do not use compressed air to clean hands. Do not use compressed air to clean wrists. Do not use compressed air to clean elbows. Do not use compressed air to clean forearms. Do not use compressed air to clean upper arms. Do not use compressed air to clean shoulders. Do not use compressed air to clean neck. Do not use compressed air to clean head. Do not use compressed air to clean face. Do not use compressed air to clean hair. Do not use compressed air to clean eyes. Do not use compressed air to clean ears. Do not use compressed air to clean nose. Do not use compressed air to clean mouth. Do not use compressed air to clean throat. Do not use compressed air to clean lungs. Do not use compressed air to clean stomach. Do not use compressed air to clean intestines. Do not use compressed air to clean rectum. Do not use compressed air to clean vagina. Do not use compressed air to clean penis. Do not use compressed air to clean testicles. Do not use compressed air to clean scrotum. Do not use compressed air to clean anus. Do not use compressed air to clean perineum. Do not use compressed air to clean buttocks. Do not use compressed air to clean thighs. Do not use compressed air to clean legs. Do not use compressed air to clean feet. Do not use compressed air to clean toes. Do not use compressed air to clean nails. Do not use compressed air to clean fingers. Do not use compressed air to clean hands. Do not use compressed air to clean wrists. Do not use compressed air to clean elbows. Do not use compressed air to clean forearms. Do not use compressed air to clean upper arms. Do not use compressed air to clean shoulders. Do not use compressed air to clean neck. Do not use compressed air to clean head. Do not use compressed air to clean face.</p>	<p>▲PELIGRO</p> <p>Riesgo de lesión - Mayor riesgo de quemadura si el aire comprimido se dirige a la cara. No use aire comprimido para limpiar la cara o el cuerpo. No use aire comprimido para limpiar la ropa. No use aire comprimido para limpiar la piel. No use aire comprimido para limpiar el pelo. No use aire comprimido para limpiar los ojos. No use aire comprimido para limpiar los oídos. No use aire comprimido para limpiar la nariz. No use aire comprimido para limpiar la boca. No use aire comprimido para limpiar la garganta. No use aire comprimido para limpiar los pulmones. No use aire comprimido para limpiar el estómago. No use aire comprimido para limpiar los intestinos. No use aire comprimido para limpiar el recto. No use aire comprimido para limpiar la vagina. No use aire comprimido para limpiar el pene. No use aire comprimido para limpiar los testículos. No use aire comprimido para limpiar el escroto. No use aire comprimido para limpiar el ano. No use aire comprimido para limpiar el perineo. No use aire comprimido para limpiar los glúteos. No use aire comprimido para limpiar las piernas. No use aire comprimido para limpiar las piernas. No use aire comprimido para limpiar los pies. No use aire comprimido para limpiar los dedos. No use aire comprimido para limpiar las uñas. No use aire comprimido para limpiar los dedos. No use aire comprimido para limpiar las manos. No use aire comprimido para limpiar las muñecas. No use aire comprimido para limpiar los codos. No use aire comprimido para limpiar los antebrazos. No use aire comprimido para limpiar los brazos. No use aire comprimido para limpiar los hombros. No use aire comprimido para limpiar el cuello. No use aire comprimido para limpiar la cabeza. No use aire comprimido para limpiar el rostro. No use aire comprimido para limpiar el pelo. No use aire comprimido para limpiar los ojos. No use aire comprimido para limpiar los oídos. No use aire comprimido para limpiar la nariz. No use aire comprimido para limpiar la boca. No use aire comprimido para limpiar la garganta. No use aire comprimido para limpiar los pulmones. No use aire comprimido para limpiar el estómago. No use aire comprimido para limpiar los intestinos. No use aire comprimido para limpiar el recto. No use aire comprimido para limpiar la vagina. No use aire comprimido para limpiar el pene. No use aire comprimido para limpiar los testículos. No use aire comprimido para limpiar el escroto. No use aire comprimido para limpiar el ano. No use aire comprimido para limpiar el perineo. No use aire comprimido para limpiar los glúteos. No use aire comprimido para limpiar las piernas. No use aire comprimido para limpiar las piernas. No use aire comprimido para limpiar los pies. No use aire comprimido para limpiar los dedos. No use aire comprimido para limpiar las uñas. No use aire comprimido para limpiar los dedos. No use aire comprimido para limpiar las manos. No use aire comprimido para limpiar las muñecas. No use aire comprimido para limpiar los codos. No use aire comprimido para limpiar los antebrazos. No use aire comprimido para limpiar los brazos. No use aire comprimido para limpiar los hombros. No use aire comprimido para limpiar el cuello. No use aire comprimido para limpiar la cabeza. No use aire comprimido para limpiar el rostro.</p> <p>▲DANGER</p> <p>Risque d' blessures - Plus grand risque de brûlure si l'air comprimé est dirigé vers le visage. Ne pas utiliser l'air comprimé pour nettoyer le visage ou le corps. Ne pas utiliser l'air comprimé pour nettoyer les vêtements. Ne pas utiliser l'air comprimé pour nettoyer la peau. Ne pas utiliser l'air comprimé pour nettoyer les cheveux. Ne pas utiliser l'air comprimé pour nettoyer les yeux. Ne pas utiliser l'air comprimé pour nettoyer les oreilles. Ne pas utiliser l'air comprimé pour nettoyer le nez. Ne pas utiliser l'air comprimé pour nettoyer la bouche. Ne pas utiliser l'air comprimé pour nettoyer la gorge. Ne pas utiliser l'air comprimé pour nettoyer les poumons. Ne pas utiliser l'air comprimé pour nettoyer l'estomac. Ne pas utiliser l'air comprimé pour nettoyer les intestins. Ne pas utiliser l'air comprimé pour nettoyer le rectum. Ne pas utiliser l'air comprimé pour nettoyer le vagin. Ne pas utiliser l'air comprimé pour nettoyer le pénis. Ne pas utiliser l'air comprimé pour nettoyer les testicules. Ne pas utiliser l'air comprimé pour nettoyer le scrotum. Ne pas utiliser l'air comprimé pour nettoyer l'anus. Ne pas utiliser l'air comprimé pour nettoyer le périnée. Ne pas utiliser l'air comprimé pour nettoyer les fesses. Ne pas utiliser l'air comprimé pour nettoyer les jambes. Ne pas utiliser l'air comprimé pour nettoyer les jambes. Ne pas utiliser l'air comprimé pour nettoyer les pieds. Ne pas utiliser l'air comprimé pour nettoyer les orteils. Ne pas utiliser l'air comprimé pour nettoyer les ongles. Ne pas utiliser l'air comprimé pour nettoyer les doigts. Ne pas utiliser l'air comprimé pour nettoyer les mains. Ne pas utiliser l'air comprimé pour nettoyer les poignets. Ne pas utiliser l'air comprimé pour nettoyer les coudes. Ne pas utiliser l'air comprimé pour nettoyer les avant-bras. Ne pas utiliser l'air comprimé pour nettoyer les bras. Ne pas utiliser l'air comprimé pour nettoyer les épaules. Ne pas utiliser l'air comprimé pour nettoyer le cou. Ne pas utiliser l'air comprimé pour nettoyer la tête. Ne pas utiliser l'air comprimé pour nettoyer le visage.</p>

GLOSSARY

CFM: Cubic feet per minute.

SCFM: Standard cubic feet per minute; a unit of measure of air delivery.

PSI: Pounds per square inch; a unit of measure of pressure.

kPa (kilopascal): Metric pressure measurement. 1 kilopascal equal 1000 pascals.

Code Certification: Products that bear one or more of the following marks: UL, CUL, ETL, CETL, have been evaluated by OSHA certified independent safety laboratories and meet the applicable Underwriters Laboratories Standards for Safety.

Cut-In Pressure: While the motor is off, air tank pressure drops when accessory is used. When the tank pressure drops to a certain low level the motor will restart automatically. The low pressure at which the motor automatically restarts is called **cut-in** pressure.

Cut-Out Pressure: When an air compressor is turned on and begins to run, air pressure in the air tank begins to build. It builds to a certain high pressure before the motor automatically shuts off, protecting your air tank from pressure higher than its capacity. The high pressure at which the motor shuts off is called **cut-out** pressure.

Branch Circuit: The circuit carrying electricity from electrical panel to outlet.

Duty Cycle: This air compressor pump is capable of running continuously. However, to prolong the life of your air compressor, it is recommended that a 50%-75% average duty cycle be maintained; that is, the air compressor pump should not run more than 30-45 minutes in any given hour.

Troubleshooting Guide

This section provides a list of the more frequently encountered malfunctions, their causes and corrective actions. The operator or maintenance personnel can perform some corrective actions, and others may require the assistance of a qualified technician or your dealer.

Problem	Code
Excessive air tank pressure-safety valve pops off	1,2
Air leaks	3
Air leaks in air tank or at air tank welds	4
Air leaks between head and valve plate.....	5
Air leaks from safety valve.....	6
Knocking Noise.....	6,16,17
Pressure reading on the regulated pressure gauge drops when an accessory is used	7
Compressor is not supplying enough air to operate accessories.....	8,9,10,11,12,15
Regulator knob has continuous air leak	13
Regulator will not shut off air outlet	13
Moisture in pump crankcase.....	14,18
Motor will not run	11,19,20,21,22,23,24,25,26

Troubleshooting Codes

CODE	POSSIBLE CAUSE	POSSIBLE SOLUTION
1	Pressure switch does not shut off motor when compressor reaches cut-out pressure	Set the On/Off switch to OFF, if the unit does not shut off contact an authorized service center.
2	Pressure switch cut-out too high	Contact an authorized service center.
3	Tube fittings are not tight enough	Tighten fittings where air can be heard escaping. Check fittings with soapy water solution. Do Not Overtighten.

CODE	POSSIBLE CAUSE	POSSIBLE SOLUTION
4	Defective air tank	Air tank must be replaced. Do not repair the leak. ▲ WARNING: Risk of bursting. Do not drill into, weld or otherwise modify air tank or it will weaken. The air tank can rupture or explode.
5	Leaking seals	Contact an authorized service center.
6	Defective safety valve	Operate safety valve manually by pulling on ring. If valve still leaks, it must be replaced.
7	Regulator is not adjusted correctly for accessory being used	It is normal for some pressure drop to occur when an accessory is used, adjust the regulator as instructed in Regulator under <i>Features</i> if pressure drop is excessive. NOTE: Adjust the regulated pressure under flow conditions while accessory is being used.
8	Prolonged excessive use of air	Decrease amount of air usage.
9	Compressor is not large enough for accessory	Check the accessory air requirement. If it is higher than the SCFM or pressure supplied by air compressor, a larger compressor is needed to operate accessory.
10	Hole in air hose	Replace air hose.
11	Check valve restricted	Remove, clean or replace.
12	Air leaks	Tighten fittings.
13	Regulator is damaged	Replace.
14	Unit operating in damp or humid conditions	Move unit to a dry well ventilated area
15	Restricted air intake filter	Clean or replace air intake filter
16	Pump oil is low	Add ISO 100/SAE40, non-detergent, premium air compressor oil to pump. See Compressor Pump Oil under <i>Maintenance</i> .

CODE	POSSIBLE CAUSE	POSSIBLE SOLUTION
17	Carbon build-up in pump.	Contact an authorized service center.
18	Detergent type oil being used in pump	Drain oil and refill pump with ISO 100/SAE40, non-detergent, premium air compressor oil.
19	Motor overload protection switch has tripped	See Motor Overload under <i>Features</i> .
20	Extension cord is wrong length or gauge	Check for proper gauge wire and cord length. See Extension Cords under <i>Installation</i> .
21	Loose electrical connections	Contact an authorized service center.
22	Possible defective motor or starting capacitor	Contact an authorized service center.
23	Paint spray on internal motor parts	Contact an authorized service center. Do not operate the compressor in the paint spray area. See flammable vapor warning.
24	Fuse blown, circuit breaker tripped	<ol style="list-style-type: none"> 1. Check fuse box for blown fuse and replace as necessary. Reset circuit breaker. Do not use a fuse or circuit breaker with higher rating than that specified for your particular branch circuit. 2. Check for proper fuse. Use only a time delay fuse. 3. Check for low voltage conditions and/or proper extension cord. 4. Disconnect the other electrical appliances from circuit or operate the compressor on its own branch circuit.
25	Tank pressure exceeds pressure switch cut-in pressure	Motor will start automatically when tank pressure drops below cut-in pressure of pressure switch.
26	Pressure release valve on pressure switch has not unloaded head pressure	Set the On/Off switch to OFF. If the valve does not open, replace switch. Contact an authorized service center.

Compresseur d'air

- A. Interrupteur Marche/Arrêt
- B. Manomètre du réservoir d'air
- C. Manomètre réglé
- D. Régulateur de pression
- E. Réinitialisation du moteur
- F. Clapet
- G. Soupape de sûreté
- H. Soupape de purge du réservoir d'air
- I. Sortie d'air
- J. Manocontacteur
- K. Jauge graduée de l'huile de la pompe
- L. Bouchon de vidange d'huile de la pompe
- M. Filtre d'admission d'air

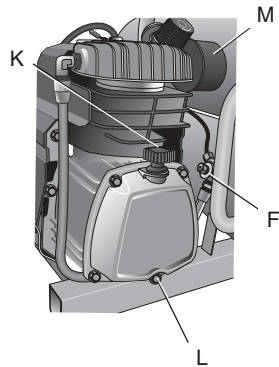
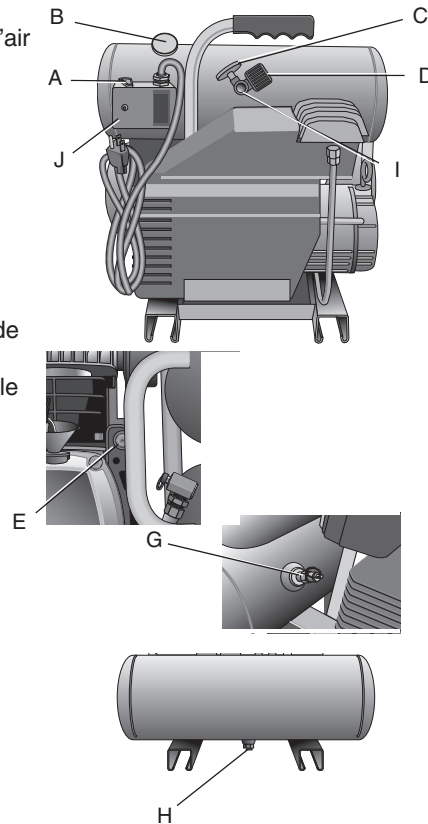


FIG. 1

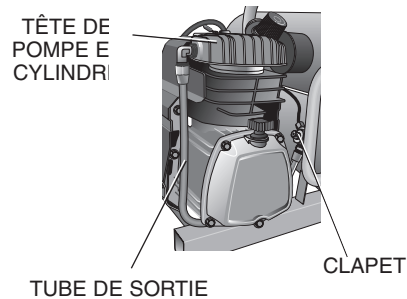


Fiche technique

MODÈLE	AM782HC4V
POIDS	25,6 kg (56,5 livres)
HAUTEUR	501,7 mm (16,75 po)
LARGEUR	469,9 mm (18,5 po)
LONGUEUR	457,2 mm (18,0 po)
CAPACITÉ DU RÉSERVOIR D'AIR (LITRES)	15,1 liters (4,0 gallon)
PRESSION D'ENCLenchement APPROX.	655 kPa (95 PSI)
ENV. PRESSION DE DÉCLenchement	861,8 kPa (125 PSI)
PCMS (SCFM) @ 100 PSI (620,5 kPa)	3,8
MOTEUR	1,1 CV (continu)
Volts/Amps/Hertz	120V/15 A/60 Hz.
RÉGIME	3 400
Exigence minimale du circuit de dérivation	15 Amp
VOLUME RÉSERVOIR D'HUILE	354,9 ml (12 onces)

Surfaces chaudes

FIG. 2



Définitions : lignes directrices en matière de sécurité

Les définitions ci-dessous décrivent le niveau de gravité pour chaque symbole. Veuillez lire le mode d'emploi et porter une attention particulière à ces symboles.

▲DANGER : Indique une situation dangereuse imminente qui, si elle n'est pas évitée, **causera la mort ou des blessures graves.**

▲AVERTISSEMENT : Indique une situation potentiellement dangereuse qui, si elle n'est pas évitée, **pourrait** se solder par un **décès ou des blessures graves.**

▲MISE EN GARDE : Indique une situation potentiellement dangereuse qui, si elle n'est pas évitée **pourrait** se solder par **des blessures mineures ou modérées.**

MISE EN GARDE : Utilisé sans le symbole d'alerte à la sécurité, indique une situation potentiellement dangereuse qui, si elle n'est pas évitée **pourrait** se solder par **des dommages à la propriété.**

POUR TOUTES QUESTIONS OU COMMENTAIRES RELATIFS(VEZ) À L'OUTIL OU À PROPOS DE TOUT AUTRE OUTIL AIR-MATE, COMPOSER SANS FRAIS LE : **1-888-88EMGLO (1-888-883-6456).**

Directives de sécurité importantes

▲AVERTISSEMENT : Ne pas utiliser cet appareil avant d'avoir lu et compris le mode d'emploi ainsi que l'intégralité des directives de sécurité, d'utilisation et d'entretien.

▲AVERTISSEMENT : Certaines poussières produites par les travaux de ponçage, sciage, meulage, perçage et autres peuvent contenir des produits chimiques pouvant (selon l'état de Californie) causer le cancer, des anomalies congénitales ou d'autres problèmes liés aux fonctions reproductrices. Voici quelques exemples de ces produits chimiques :

- le plomb contenu dans les peintures à base de plomb;
- la silice cristalline provenant de la brique, du ciment et d'autres produits de maçonnerie;
- l'arsenic et chrome provenant de bois traité chimiquement.

Les risques liés à l'exposition à ces poussières varient selon la fréquence à laquelle l'utilisateur travaille avec ce type de matériaux. Pour réduire votre exposition à ces produits chimiques : travailler dans un endroit bien ventilé et porter un équipement de sécurité approuvé par l'OSHA/MSHA/NIOSH comme un masque anti-poussières spécialement adapté ou un respirateur lors de l'utilisation de ces outils. Lors de l'utilisation d'outils pneumatiques, des précautions de base en matière de sécurité doivent être suivies afin de réduire le risque de blessure personnelle.

▲AVERTISSEMENT : Ce produit contient des produits chimiques, notamment le plomb, reconnu par l'État de Californie comme étant cancérigènes et pouvant entraîner des anomalies congénitales et d'autres dangers relatifs à la reproduction. Se laver les mains après toute manipulation.

CONSERVER CES DIRECTIVES



▲ DANGER : RISQUE D'EXPLOSION OU D'INCENDIE

Ce qui peut se produire

- Il est normal que des contacts électriques dans le moteur et le manoccontacteur fassent une étincelle.
- Si une étincelle électrique provenant du compresseur entre en contact avec des vapeurs inflammables, elle peut s'enflammer et causer un incendie ou une explosion.

Comment l'Éviter

- Faites toujours fonctionner le compresseur dans une zone bien aérée sans matière combustible, essence ou vapeur de solvant.
- Si vous aspergez des matériaux inflammables, placez le compresseur à au moins 6,1 m (20 pieds) de la zone pulvérisée. Il est possible que vous ayez besoin d'une longueur de tuyau additionnelle.
- Entreposez les matières inflammables dans un endroit sécuritaire, éloigné du compresseur.

- Le fait de limiter les ouvertures d'aération de compresseur causera une importante surchauffe et pourrait causer un incendie.

- Ne placez jamais des objets contre le compresseur ou sur celui-ci.
- Faites fonctionner le compresseur dans un endroit aéré à au moins 30,5 cm (12 po) du mur ou de l'obstruction qui pourrait limiter le débit d'air frais dans les ouvertures d'aération.
- Faites fonctionner le compresseur dans un endroit propre, sec et bien aéré. Ne pas utiliser l'appareil à l'intérieur ou dans un endroit exigu.

- Le fonctionnement de ce produit sans surveillance pourrait se solder par des blessures personnelles ou des dommages à la propriété. Afin de réduire le risque d'incendie, ne pas laisser le compresseur fonctionner sans surveillance.

- Être toujours présent lorsque le produit est en marche.
- Toujours éteindre et débrancher l'appareil si non utilisé.



▲ DANGER : RISQUE RESPIRATOIRE (ASPHYXIE)

CE QUI PEUT SE PRODUIRE

- Il est dangereux de respirer l'air comprimé sortant du compresseur. Le flux d'air peut contenir du monoxyde de carbone, des vapeurs toxiques ou des particules solides provenant du réservoir d'air. L'inhalation de ces contaminants peut provoquer de sérieuses blessures, voire un décès.

COMMENT L'ÉVITER

- L'air qui s'obtient directement du compresseur ne devrait jamais être utilisé pour alimenter l'air destiné à la consommation humaine. Pour utiliser l'air produit par le compresseur pour la respiration, installer correctement des filtres convenables et un équipement de sécurité en ligne. Les filtres en ligne et l'équipement de sécurité utilisés avec le compresseur doivent être capables de traiter l'air conformément à tous les codes locaux et fédéraux en vigueur avant toute consommation humaine.

- Les matériaux vaporisés comme la peinture, les solvants de peinture, les décapants, les insecticides, les herbicides, pourraient contenir des vapeurs nocives et du poison.

- Travailler dans un endroit ayant une bonne ventilation transversale. Lire et respecter les directives en matière de sécurité imprimées sur l'étiquette ou les fiches signalétiques des matériaux qui sont pulvérisés. Toujours utiliser un équipement de sécurité homologué : une protection respiratoire conforme aux normes OSHA/MSHA/NIOSH, conçue spécifiquement pour une utilisation particulière.



▲ DANGER : RISQUE DE BLESSURES OU DE DOMMAGES À LA PROPRIÉTÉ LORS DU TRANSPORT OU DU RANGEMENT

CE QUI PEUT SE PRODUIRE

- L'huile peut fuir ou se déverser. Cela pourrait se solder par un incendie ou un danger d'inhalation; des blessures graves ou un décès. Les fuites d'huile endommageront le tapis, la peinture ou toutes autres surfaces de véhicules ou de remorques.

COMMENT L'ÉVITER

- Toujours installer le compresseur sur un revêtement protecteur lors du transport pour protéger le véhicule de tous dommages associés aux fuites. Retirer immédiatement le compresseur du véhicule dès l'arrivée à destination. Toujours tenir le compresseur à niveau et ne jamais le déposer sur son côté.



▲ **AVERTISSEMENT : RISQUE D'ÉCLATEMENT**

Réservoir d'air : le réservoir dont est doté le compresseur d'air porte le code « UM » (dans le cas d'appareils munis de réservoirs supérieurs à 152 mm (6 po) de diamètre) et il est conçu conformément à la section VII Div. 1 de l'ASME. Tous les récipients sous pression devraient être inspectés une fois tous les deux ans. Pour localiser l'inspecteur des récipients sous pression de votre région, consulter la section appropriée des organismes gouvernementaux de l'annuaire téléphonique ou composer le 1-888-88EMGLO (1-888-883-6456) pour obtenir de l'aide.

Les conditions indiquées ci-après pourraient affaiblir le réservoir d'air et se solder par une violente explosion de celui-ci :

CE QUI PEUT SE PRODUIRE

- L'eau condensée n'est pas correctement vidangée du réservoir d'air provoquant ainsi la formation de rouille et un amincissement du réservoir d'air en acier.

COMMENT L'ÉVITER

- Vidanger le réservoir d'air quotidiennement ou après chaque utilisation. Si le réservoir présente une fuite, le remplacer immédiatement par un nouveau réservoir d'air ou par un nouveau compresseur.

- Modifications apportées au réservoir d'air ou tentatives de réparation.
- Ne jamais percer un trou dans le réservoir d'air ou ses accessoires, y faire de la soudure ou y apporter quelque modification que ce soit. Ne jamais essayer de réparer un réservoir d'air endommagé ou avec des fuites. Le remplacer par un nouveau réservoir d'air.
- Des modifications non autorisées de la soupape de sûreté ou de tous autres composants qui régissent la pression du réservoir d'air.
- Le réservoir d'air a été conçu pour supporter des pressions spécifiques de fonctionnement. Ne faites jamais effectuer de réglages ou de substitutions de pièces en vue de modifier les pressions de fonctionnement réglées en usine.

Accessoires :

- Lorsqu'on excède la pression nominale des outils pneumatiques, des pistolets pulvérisateurs, des accessoires à commande pneumatique, des pneus et d'autres dispositifs pneumatiques, on risque de les faire exploser ou de les projeter et ainsi entraîner des blessures graves.
- Respecter les recommandations du fabricant de l'équipement et ne jamais dépasser la pression nominale maximale permise des accessoires. Ne jamais utiliser le compresseur pour gonfler de petits objets à basse pression comme des jouets d'enfant, des ballons de football et de basketball, etc.



▲ AVERTISSEMENT : RISQUE DE CHOC ÉLECTRIQUE

CE QUI PEUT SE PRODUIRE

- Votre compresseur d'air est alimenté à l'électricité. Tout comme n'importe quel autre dispositif alimenté de façon électrique, s'il n'est pas utilisé correctement, il peut causer un choc électrique.

- Les tentatives de réparation par un personnel non qualifié peuvent résulter en de graves blessures, voire la mort par électrocution.

- **Mise à la terre électrique** : le fait de ne pas faire une mise à la terre adéquate de ce produit pourrait résulter en des blessures graves voire la mort par électrocution. Consulter **les directives relatives à la mise à la terre** sous *Installation*.

COMMENT L'ÉVITER

- Ne faites jamais fonctionner le compresseur à l'extérieur lorsqu'il pleut ou dans des conditions humides.
- Ne faites jamais fonctionner le compresseur avec les couvercles de protection enlevés ou endommagés.
- Tout câblage électrique ou toute réparation nécessaire pour ce produit doit être pris en charge par un centre de réparation en usine conformément aux codes électriques nationaux et locaux.
- Assurez-vous que le circuit électrique auquel le compresseur est branché fournit une mise à la terre électrique adéquate, une tension appropriée et une bonne protection des fusibles.



▲ AVERTISSEMENT : RISQUE PROVENANT DES OBJETS PROJÉTÉS EN L'AIR

CE QUI PEUT SE PRODUIRE

- Le flux d'air comprimé peut endommager les tissus mous de la peau exposée et peut projeter la poussière, des fragments, des particules détachées et des petits objets à haute vitesse, ce qui entraînerait des dommages et des blessures personnelles.

COMMENT L'ÉVITER

- Toujours utiliser de l'équipement de sécurité homologué : protection oculaire conforme à la norme ANSI Z87.1 (CAN/CSA Z94.3) munie d'écrans latéraux lors de l'utilisation du compresseur.
- Ne jamais pointer une buse ou un pulvérisateur vers une partie du corps ou vers d'autres personnes ou des animaux.
- Toujours mettre le compresseur hors tension et purger la pression du tuyau à air et du réservoir d'air avant d'effectuer l'entretien, de fixer des outils ou des accessoires.



▲ AVERTISSEMENT : ATTENTION SURFACES CHAUDES
CE QUI PEUT SE PRODUIRE COMMENT L'ÉVITER

- Toucher à du métal exposé comme la tête du compresseur ou du moteur, la tubulure des gaz d'échappement ou de sortie, peut se solder en de sérieuses brûlures.
- Ne jamais toucher à des pièces métalliques exposées sur le compresseur pendant ou immédiatement après son utilisation. Le compresseur reste chaud pendant plusieurs minutes après son utilisation.
- Ne pas toucher ni effectuer des réparations aux coiffes de protection avant que l'appareil n'ait refroidi.



▲ AVERTISSEMENT : RISQUE ASSOCIÉ
AUX PIÈCES MOBILES
CE QUI PEUT SE PRODUIRE COMMENT L'ÉVITER

- Les pièces mobiles comme une poulie, un volant ou une courroie peuvent provoquer de graves blessures si elles entrent en contact avec vous ou vos vêtements.
- Ne jamais utiliser le compresseur si les protecteurs ou les couvercles sont endommagés ou retirés.
- Tenir les cheveux, les vêtements et les gants hors de portée des pièces en mouvement. Les vêtements amples, bijoux ou cheveux longs peuvent s'enchevêtrer dans les pièces mobiles.
- S'éloigner des événements car ces derniers pourraient camoufler des pièces mobiles.
- Toutes les réparations requises pour ce produit devraient être effectuées par un centre de réparation de l'usine.
- Utiliser le compresseur avec des pièces endommagées ou manquantes ou le réparer sans coiffes de protection risque de vous exposer à des pièces mobiles et peut se solder par de graves blessures.



▲ AVERTISSEMENT : RISQUE ASSOCIÉ À UTILISATION DANGEREUSE

CE QUI PEUT SE PRODUIRE

- Une utilisation dangereuse de votre compresseur d'air pourrait provoquer de graves blessures, voire votre décès ou celle d'autres personnes.

COMMENT L'ÉVITER

- Revoir et comprendre toutes les directives et les avertissements contenus dans le présent mode d'emploi.
- Se familiariser avec le fonctionnement et les commandes du compresseur d'air.
- Dégager la zone de travail de toutes personnes, animaux et obstacles.
- Tenir les enfants hors de portée du compresseur d'air en tout temps.
- Ne pas utiliser le produit en cas de fatigue ou sous l'emprise d'alcool ou de drogues. Rester vigilant en tout temps.
- Ne jamais rendre inopérant les fonctionnalités de sécurité du produit.

- Installer un extincteur dans la zone de travail.
- Ne pas utiliser l'appareil lorsqu'il manque des pièces ou que des pièces sont brisées ou non autorisées.



▲ AVERTISSEMENT : RISQUE DE CHUTE

- Un compresseur portatif peut tomber d'une table, d'un établi ou d'un toit et causer des dommages au compresseur, ce qui pourrait résulter en de graves blessures, voire la mort de l'opérateur.
- Toujours faire fonctionner le compresseur alors qu'il est dans une position sécuritaire et stable afin d'empêcher un mouvement accidentel de l'appareil. Ne jamais faire fonctionner le compresseur sur un toit ou sur toute autre position élevée. Utiliser un tuyau d'air supplémentaire pour atteindre les emplacements en hauteur.



▲ MISE EN GARDE : RISQUE ASSOCIÉ AU BRUIT

CE QUI PEUT SE PRODUIRE

- Dans certaines conditions et selon la durée d'utilisation, le bruit provoqué par ce produit peut contribuer à une perte auditive.

COMMENT L'ÉVITER

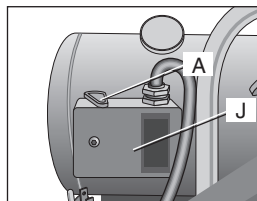
- Toujours utiliser un équipement de sécurité homologué : protection auditive conforme à la norme ANSI S12.6 (S3.19).

CONSERVER CES DIRECTIVES POUR UN USAGE ULTÉRIEUR

CARACTÉRISTIQUES (Fig. 1)

INTERRUPTEUR MARCHÉ/ARRÊT

Mettre cet interrupteur (A) sur la position MARCHE pour avoir une alimentation automatique au manostat et sur la position ARRÊT pour la mise hors tension à la fin de chaque utilisation.



MANOCONTACTEUR

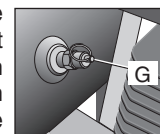
Le manostat (J) démarre automatiquement le moteur lorsque la pression du réservoir d'air chute sous la pression d'enclenchement réglée en usine. Il arrête le moteur lorsque la pression du réservoir d'air atteint la pression de déclenchement réglée en usine.

SOUPEPE DE DÉCHARGE DE PRESSION

La soupape de décharge de pression, située sur le côté du manostat, est conçue pour libérer automatiquement l'air comprimé de la tête du compresseur et du tube de sortie lorsque le compresseur d'air atteint la **déclenchement** ou lorsqu'il est arrêté. La soupape de décharge de pression permet au moteur de redémarrer librement. Lorsque le moteur s'arrête, vous pouvez toujours entendre l'air sortir de cette soupape pendant quelques secondes. Vous ne devriez pas entendre une fuite d'air lorsque le moteur est en marche ni une fois que l'appareil a atteint la **déclenchement**.

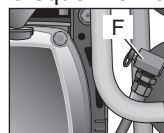
SOUPEPE DE SÛRETÉ

Si le manostat ne met pas hors tension le compresseur d'air à sa pression de déclenchement réglée, la soupape de sûreté (G) sert de protection contre une pression élevée en allant à la pression réglée en usine (pression légèrement plus élevée que le réglage de déclenchement du manostat).



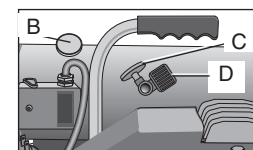
CLAPET

Lorsque le compresseur d'air fonctionne, le clapet (F) est ouvert, ce qui permet à l'air comprimé d'entrer dans le réservoir d'air. Lorsque le compresseur d'air atteint la pression de déclenchement, le clapet se ferme, ce qui permet à la pression d'air de rester dans le réservoir d'air.



MANOMÈTRE DE RÉSERVOIR

Le manomètre de réservoir (B) indique la pression d'air de réserve dans le réservoir.



MANOMÈTRE DE PRISE DE COURANT

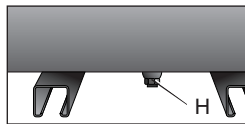
Le manomètre de prise (C) indique la pression d'air disponible du côté de la prise du régulateur. Cette pression est contrôlée par le régulateur et est toujours inférieure ou égale à la pression du réservoir.

RÉGULATEUR

Le régulateur (D) contrôle la pression d'air montrée sur le manomètre de prise. Tournez la poignée du régulateur en sens horaire pour augmenter la pression et en sens antihoraire pour la diminuer.

ROBINET DE PURGE

Le robinet de purge (H) se trouve à la base du réservoir d'air et est utilisé pour vidanger la condensation à la fin de chaque utilisation. Consulter le chapitre **Vidange du réservoir** sous *Entretien*.



SYSTÈME DE REFROIDISSEMENT

Ce compresseur contient un système de refroidissement de conception évoluée. Il est tout à fait normal pour ce ventilateur de souffler de l'air par les orifices d'aération en grandes quantités. Le système de refroidissement fonctionne lorsque l'air est expulsé.

POMPE DE COMPRESSEUR D'AIR

La pompe compresse l'air dans le réservoir d'air. L'air de travail n'est pas disponible avant que le compresseur ait augmenté la pression du réservoir d'air au-dessus de ce qui est requis à la sortie d'air.

PROTECTEUR DE SURCHARGE DU MOTEUR

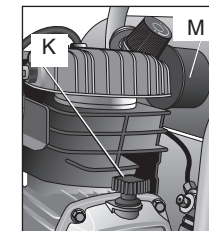
Ce moteur dispose d'un protecteur de surcharge thermique manuelle. Si le moteur surchauffe, peu importe la raison, le protecteur de surcharge met le moteur hors tension. Il faut donner au moteur le temps de refroidir avant de le redémarrer. Redémarrage:

1. S'assurer que le commutateur MARCHE/ARRÊT (A) est en position d'ARRÊT.
2. Laisser le moteur refroidir.
3. Enfoncer le bouton de réinitialisation (E) sur le moteur.



JAUGE GRADUÉE DE L'HUILE

La jauge graduée (K) indique le montant d'huile restant dans la pompe. Vérifier le niveau d'huile moteur quotidiennement, consulter la rubrique **Huile du compresseur de la pompe** sous *Entretien*.



FILTRE D'ADMISSION D'AIR

Le filtre (M) sert à purifier l'air qui entre dans la pompe. Pour que la pompe reçoive un flux d'air constant propre, froid et sec, le filtre doit toujours être propre et l'entrée d'air doit être exempte d'obstructions.

INSTALLATION

Assemblage

RACCORDEMENT DES TUYAUX

⚠AVERTISSEMENT : *Risque d'utilisation dangereuse. Saisir fermement le tuyau en main lors du raccordement ou de la déconnexion pour empêcher un à-coup du tuyau.*

1. S'assurer que le manomètre réglé indique 0 kPa (0 psi).

2. Enrouler un ruban d'étanchéité sur le filetage de tuyau.
3. Raccorder le ou le tuyau à la ou aux sortie d'air (I).

IMPORTANT : ne pas assembler de distributeurs directement sur la ou le sortie d'air (I).

REMARQUE : la fixation de pièces à dégagement rapide aux sortie d'air (I) et de bouchons à dégagement rapide aux embouts de tuyau facilite la connexion et la déconnexion des tuyau. Les pièces et les embouts à dégagement rapide sont disponibles auprès de votre distributeur ou centre de réparation agréé régional.

DÉCONNEXION DES TUYAUX

⚠AVERTISSEMENT : risque d'utilisation dangereuse. Saisir fermement le tuyau en main lors du raccordement ou de la déconnexion pour empêcher un à-coup du tuyau.

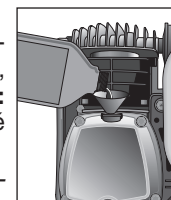
1. S'assurer que le manomètre régulé indique 0 kPa (0 psi).
2. Retirer le ou les tuyau de la ou de sortie d'air (I).

Lubrification et huile

MISE EN GARDE : Le compresseur a été expédié sans huile dans le carter. Une petite quantité d'huile peut se trouver dans la pompe à la livraison du compresseur d'air. Cela est dû aux essais en usine et ne signifie pas que la pompe est remplie d'huile. Ne pas tenter de faire fonctionner ce compresseur d'air sans avoir auparavant ajouté de l'huile dans le carter. De sérieux dommages pourraient être causés par un fonctionnement, même limité, en l'absence d'huile dans la pompe et sans aucun rodage. Respecter à la lettre les directives du **Réglage initial** sous Fonctionnement

MISE EN GARDE : Ne pas utiliser les huiles de moteurs automobiles, par exemple 10W-30, car leur viscosité n'est pas adéquate. Elles laissent des dépôts de carbone dans des composants essentiels, réduisant ainsi les performances et la durée de vie du compresseur. Utiliser de qualité supérieure ISO 100/SAE40, huile non-détergente uniquement.

1. Déposer l'appareil sur une surface à niveau.
2. Retirer la jauge d'huile (K) et ajouter lentement de qualité supérieure ISO 100/SAE40, huile non-détergente (fournie). **REMARQUE** : consulter les spécifications pour la capacité de l'huile de la pompe.



MISE EN GARDE : Risque d'utilisation dangereuse. Un réservoir trop plein d'huile provoquera une défaillance prématurée du compresseur. Ne pas remplir plus que nécessaire.

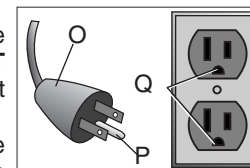
3. Remplacer la jauge.

Directives relatives à la mise à la terre

⚠AVERTISSEMENT : Risque de choc électrique. Au cas où un court-circuit se produirait, la mise à la terre réduit le risque de choc électrique en fournissant un fil d'échappement pour le courant électrique. Le compresseur d'air doit être correctement mis à la terre.

Le compresseur d'air portable est muni d'un cordon ayant un fil de mise à la terre avec une prise de mise à la terre.

1. Le cordon qui se fixe et se branche (O) avec cet appareil contient une goupille de mise à la terre (P). Cette prise **DOIT** être utilisée avec une prise correctement mise à la terre (Q).



IMPORTANT : la prise utilisée doit être installée et mise à la terre en fonction de tous les codes et de toutes les ordonnances à l'échelle locale.

2. Assurez-vous que la prise utilisée a la même configuration que la fiche mise à la terre. **N'UTILISEZ PAS UN ADAPTATEUR**
3. Inspectez la fiche et le cordon avant chaque utilisation. Ne les utilisez pas s'ils présentent des signes de dommages.

4. Si ces directives sur la mise à la terre ne sont pas entièrement comprises, ou si vous n'êtes pas certain que le compresseur a correctement été mis à la terre, faites vérifier l'installation par un électricien qualifié.

▲ DANGER : *Risque de choc électrique. UNE MISE À LA TERRE INADÉQUATE PEUT PROVOQUER UN CHOC ÉLECTRIQUE.*

- Ne modifiez pas la fiche fournie. Si elle ne s'incère pas dans la prise disponible, une prise adéquate doit être installée par un électricien qualifié.
- Les réparations au cordon ou à la fiche DOIVENT être faites par un électricien qualifié.

Rallonges

Il n'est pas recommandé d'utiliser des rallonges. L'utilisation de rallonges causera une chute de pression résultant en une perte de pression du moteur et en une surchauffe.

Au lieu d'utiliser une rallonge, augmentez la portée de travail du tuyau d'air en attachant une autre longueur de tuyau à son extrémité. Attachez des longueurs additionnelles de tuyau au besoin.

Si une rallonge doit être utilisée, assurez-vous de ce qui suit :

- il s'agit d'une rallonge à trois fils qui possède une fiche de mise à la terre à trois lames, ayant un réceptacle à trois fentes qui accepte la fiche sur ce produit
- elle est en bon état
- sa longueur ne dépasse pas 15,2 m (50 pieds)
- elle est de calibre 12 (AWG) ou plus. (La grosseur du fil augmente à mesure que le numéro de calibre diminue. Vous pouvez aussi utiliser 10 AWG et 8 AWG. N'UTILISEZ PAS DE GROSSEUR 14 OU 16 AWG.)

Protection de la tension et du circuit

Consulter les **Exigences en matière de tension et de circuit de dérivation minimales** sous *Fiche technique de la pompe/du moteur*.

▲ MISE EN GARDE : *Certains compresseurs d'air peuvent fonctionner sur un circuit de 15 A si les conditions suivantes sont réunies.*

- L'alimentation en tension doit se conformer au Code électrique national.
- Le circuit n'est pas utilisé pour alimenter d'autres besoins en électricité.
- Les rallonges doivent se conformer aux spécifications.
- Le circuit est équipé d'un disjoncteur de 15 A au minimum ou d'un fusible à temporisation de 15 A. **REMARQUE :** *si le compresseur est branché à un circuit protégé par des fusibles, utiliser seulement des circuits à temporisation. Les fusibles de temporisation devraient avoir l'inscription « D » au Canada et « T » aux É.-U.*

Si une des conditions ci-dessus n'est pas satisfaite, ou si le fonctionnement du compresseur cause des interruptions du courant électrique, il peut s'avérer nécessaire de faire fonctionner l'appareil à partir d'un circuit à 20 A. Il n'est pas nécessaire de changer les cordons.

Compatibilité

Les outils pneumatiques et les accessoires utilisés avec le compresseur doivent être compatibles avec des produits dérivés du pétrole. En cas d'incompatibilité probable avec des dérivés du pétrole, utiliser un filtre de canalisation d'air pour retirer l'humidité et les vapeurs d'huile du compresseur d'air.

REMARQUE : toujours utiliser un filtre de canalisation d'air pour retirer l'humidité et les vapeurs d'huile lors de la pulvérisation de peinture.

Emplacement

MISE EN GARDE : *Risque de dommages à la propriété. En cours de fonctionnement, ne pas incliner le compresseur d'air plus de 10° pour éviter tout dommage.*

Placer le compresseur d'air dans un endroit propre, sec et bien aéré à au moins 30,5 cm (12 po) du mur ou d'autres obstructions qui pourraient interférer avec le débit d'air. Tenir le compresseur à l'écart des endroits poussiéreux et chargés d'émanations. Ces impuretés pourraient boucher le filtre et les soupapes d'admission et s'y agglutiner, nuisant ainsi au bon fonctionnement du compresseur d'air.

La pompe de compresseur d'air et le déflecteur ont été conçus pour assurer un refroidissement adéquat. Les ouvertures d'aération sur le compresseur sont nécessaires pour garder une température de fonctionnement appropriée. Ne placez pas de chiffons ou d'autres contenants sur les ouvertures ou à proximité de celles-ci.

Placer le compresseur d'air sur ses pieds de caoutchouc sur une surface plane.

REMARQUES À PROPOS DU BRUIT

Consulter les organismes de réglementation de votre région pour connaître les niveaux de bruit tolérés. Pour réduire le bruit excessif, utiliser un montage antivibratile ou des atténuateurs sonores. Repositionner l'appareil ou construire une enceinte close ou des murs déflecteurs. Communiquer avec un centre de réparation AIR-MATE ou composer le 1-888-88EMGLO (1-888-883-6456) pour obtenir de l'aide.

ÉLECTRICITÉ

Consulter toutes les directives de sécurité avant d'utiliser l'appareil. Respecter les directives de sécurité du cordon d'alimentation le cas échéant. Toujours mettre l'interrupteur Marche/Arrêt (A) en position d'ARRÊT avant de retirer la fiche de la prise.

TRANSPORT

Lors du transport du compresseur d'air dans un véhicule, une remorque, etc. s'assurer que le réservoir d'air soit bien purgé et que l'appareil soit bien ancré. Conduire prudemment pour éviter de basculer l'appareil dans le véhicule. Un basculement risque d'endommager le compresseur ou les pièces contiguës.

DÉPLACEMENT

Lors du transport du compresseur, saisir la poignée et le tenir aussi près du corps que possible.

▲AVERTISSEMENT : *Risque d'utilisation dangereuse. Garder les pieds bien ancrés et faire preuve d'une grande prudence en transportant le compresseur afin d'éviter de perdre l'équilibre.*

MODE D'EMPLOI

Liste de vérification de pré-démarrage (Fig. 1)

1. S'assurer que le commutateur MARCHE/ARRÊT (A) est en position d'ARRÊT.
2. Branchez le cordon d'alimentation dans le bon réceptacle de circuit de dérivation. Consulter la rubrique **Protection de la tension et du circuit** sous *Installation*.
3. S'assurer que le réservoir d'air soit bien purgé, consulter la rubrique **Vidange du réservoir d'air** sous *Entretien*.
4. S'assurer que la soupape de purge (H) soit fermée.

5. S'assurer que la soupape de sûreté (G) fonctionne correctement, consulter la rubrique **Vérification de la soupape de sûreté** sous *Entretien*.
6. Vérifier le niveau d'huile moteur, consulter la rubrique **Huile du compresseur de la pompe** sous *Entretien*.

MISE EN GARDE : Ne pas utiliser le compresseur sans huile ou avec une huile de qualité inadéquate. AIR-MATE ne peut être tenu responsable pour toute défaillance du compresseur provoquée par une huile inappropriée.

7. Tourner le bouton du régulateur (D) en sens antihoraire jusqu'à fermeture complète. S'assurer que le manomètre réglé indique 0 kPa (0 PSI).
8. Fixez le tuyau et les accessoires.

▲AVERTISSEMENT : Risque d'utilisation dangereuse. Saisir fermement le tuyau en main lors du raccordement ou de la déconnexion pour empêcher un à-coup du tuyau.

9. S'assurer que tous les couvercles et étiquettes sont présents, lisibles (dans le cas des étiquettes) et bien fixés. Ne pas utiliser le compresseur avant de vérifier tous ces points.

▲AVERTISSEMENT : Risque d'éclatement. Trop de pression d'air cause un risque sérieux d'éclatement. Vérifiez la pression maximum suggérée par le fabricant pour les outils pneumatiques et les accessoires. La pression de sortie du régulateur ne doit jamais dépasser une pression nominale maximale.

Réglage initial (Fig. 1)

▲AVERTISSEMENT : Ne pas utiliser cet appareil avant d'avoir lu et compris le mode d'emploi ainsi que l'intégralité des directives de sécurité, d'utilisation et d'entretien.

PROCÉDURE DE RODAGE

▲AVERTISSEMENT : Respecter à la lettre les directives de rodage ci-dessous pour empêcher de graves dommages.

Cette procédure est requise **avant** que le compresseur d'air soit mis en service et lorsque le clapet ou une pompe de compresseur complète a été remplacé.

1. S'assurer que le commutateur MARCHE/ARRÊT (A) est en position d'ARRÊT.
2. Branchez le cordon d'alimentation dans le bon réceptacle de circuit de dérivation. Consulter la rubrique **Protection de la tension et du circuit** sous *Installation*.
3. Ouvrez le robinet de purge en entier (en sens antihoraire) pour laisser échapper l'air et empêcher une accumulation de pression d'air dans le réservoir d'air pendant la période d'adaptation.
4. Mettre l'interrupteur Marche/Arrêt en position MARCHE. Le compresseur démarre.
5. Faites fonctionner le compresseur pendant 20 minutes.
6. Après 20 minutes, fermez le robinet de purge en le faisant tourner en sens horaire. Le réservoir se remplira pour **déclencher** la pression et le moteur s'arrêtera.
7. L'air comprimé sera disponible jusqu'à utilisation complète de l'air ou sa purge.

PROCÉDURES DE FONCTIONNEMENT

Démarrage (Fig. 1)

1. Utiliser la **Liste de vérification de pré-démarrage** sous *Mode d'emploi*.
2. Mettre l'interrupteur Marche/Arrêt en position MARCHE et laisser du temps pour l'accumulation de pression du réservoir. Le moteur s'arrête lorsque la pression du réservoir atteint la **pression de déclenchement**.

MISE EN GARDE : Risque d'utilisation dangereuse. L'air comprimé de l'appareil pourrait contenir de l'eau condensée et des brumes d'huile. Ne pas vaporiser de l'air non filtré sur un article que l'humidité pourrait endommager. Certains outils ou dispositifs pneumatiques pourraient requérir de l'air filtré. Lire les directives pour l'outil ou le dispositif pneumatique.

3. Régler le régulateur (D) à la valeur souhaitée. Consulter la rubrique **Régulateur** sous *Caractéristiques*.

Arrêt (Fig. 1)

1. Mettre l'interrupteur Marche/Arrêt (A) en position d'ARRÊT.

REMARQUE : si l'utilisation du compresseur est terminée, suivre les étapes 2 à 6.

2. Tourner le bouton du régulateur (D) en sens antihoraire jusqu'à fermeture complète. S'assurer que le manomètre réglé indique 0 kPa (0 PSI).

3. Retirer le tuyau et l'accessoire.

4. Purger le réservoir d'air, consulter la rubrique **Purger le réservoir d'air** sous *Entretien*. S'assurer que le manomètre du réservoir d'air affiche 0 kPa (0 PSI).

▲AVERTISSEMENT : Risque d'éclatement. Purger le réservoir d'air quotidiennement. L'eau se condensera dans le réservoir d'air. Si l'eau n'est pas vidangée, elle corrodera et affaiblira le réservoir d'air, provoquant ainsi un risque de rupture du réservoir d'air.

5. Laisser refroidir le compresseur.

6. Nettoyer le compresseur d'air avec un chiffon et le ranger dans un endroit sûr sans risque de gel.

ENTRETIEN

Suivre les procédures suivantes lors de l'entretien ou des réparations du compresseur d'air.

1. S'assurer que le commutateur Marche/Arrêt est en position d'ARRÊT.
2. Débrancher le compresseur d'air.
3. Purger le réservoir d'air.
4. Laisser refroidir le compresseur d'air avant de débiter une réparation.

REMARQUE : tous les systèmes de compression d'air comprennent des pièces (par ex., huile, filtres, séparateurs) qui sont régulièrement remplacées. Ces pièces usées pourraient contenir des substances contrôlées et doivent être mises au rebut conformément aux lois et règlements municipaux, provinciaux, territoriaux et fédéraux.

REMARQUE : noter la position et l'emplacement des pièces au démontage pour faciliter le remontage subséquent.

REMARQUE : toute réparation non décrite dans cette rubrique devrait être exécutée à un centre de réparation de l'usine.

Programme d'entretien

Procédure	Quotidienne	Hebdomadaire	Mensuelle	1 an ou 200 heures
Vérification de la soupape de sûreté	X			
Inspecter le filtre à air +		X		
Vidange du réservoir d'air	X			
Vérification du niveau d'huile de la pompe	X			
Vidange de l'huile de la pompe***				X
Inspection des fuites d'air	X			

Procédure	Quotidienne	Hebdomadaire	Mensuelle	1 an ou 200 heures
Recherche de bruits ou de vibrations inhabituels	X			
Vérification des fuites d'air*	X			
Nettoyage de la partie externe du compresseur		X		
* Pour trouver des fuites d'air, appliquer une solution d'eau savonneuse autour des joints. Alors que le compresseur développe la pression et que l'accumulation de pression cesse, rechercher toute trace de bulles d'air.				
** Veuillez vidanger l'huile de la pompe après les 20 premières heures de fonctionnement. Par la suite, vidanger l'huile à toutes les 200 heures de fonctionnement ou une fois l'an selon la première éventualité et utiliser de qualité supérieure ISO 100/SAE40, huile non-détergente pour compresseur.				
+ vidange plus fréquente sous conditions poussiéreuses ou humides				

Vérification de la soupape de sûreté (Fig. 1)

⚠AVERTISSEMENT : Surfaces chaudes. Risque de brûlure. Le postrefroidisseur, la tête de pompe et les pièces contiguës sont très chaudes – ne pas les toucher (consulter la rubrique Surfaces chaudes de la figure 2). Laisser refroidir le compresseur avant d'effectuer des réparations sur l'appareil.

⚠AVERTISSEMENT : Risque d'éclatement. Si la soupape de sûreté ne fonctionne pas correctement, il peut se produire une surpressurisation, causant ainsi la rupture du réservoir d'air ou une explosion.

Avant de mettre en marche le compresseur, tirez sur la bague de la soupape de sûreté pour vous assurer que la soupape fonctionne librement. Si la soupape est coincée ou ne fonctionne pas bien, il faut la remplacer par une soupape du même type.

Vérification des éléments du filtre d'air (Fig. 1)

⚠AVERTISSEMENT : Surfaces chaudes. Risque de brûlure. Le postrefroidisseur, la tête de pompe et les pièces contiguës sont très chaudes – ne pas les toucher (consulter la rubrique Surfaces chaudes de la figure 2). Laisser refroidir le compresseur avant d'effectuer des réparations sur l'appareil.

1. S'assurer que le commutateur Marche/Arrêt est en position d'ARRÊT.
2. Laisser refroidir l'appareil.
3. Dévisser le filtre à air (M) de l'appareil.
4. Soulever doucement le dessus du filtre de la base.
5. Retirer les éléments de la base du filtre.
6. En cas de nettoyage, souffler de l'air. Remplacer le cas échéant. Acheter les pièces de rechange auprès de votre distributeur ou centre de réparation agréé régional. Toujours utiliser des pièces de rechange identiques.
7. Replacer les éléments dans la base du filtre.
8. Reconnecter la base et le dessus du filtre.
9. Réassembler le filtre à air à l'appareil. S'assurer que la prise d'échappement pointe vers le bas.

⚠MISE EN GARDE : Risque d'utilisation dangereuse. Ne pas utiliser sans le filtre d'admission d'air.

Vidange du réservoir d'air (Fig. 1)

⚠AVERTISSEMENT : Risque d'utilisation dangereuse. Risque associé au bruit. Les réservoirs d'air contiennent de l'air sous haute pression. Éloigner le visage [ANSI Z87.1(CAN/CSA Z94.3)] et toutes autres parties du corps de l'orifice de vidange. Porter des lunettes de sécurité lors de la vidange car il y a risque de projection de débris au visage. Utiliser une protection auditive [ANSI S12.6(S3.19)] car le flux d'air sortant est strident en cours de vidange.

REMARQUE : tous les systèmes de compression d'air génèrent des condensats qui s'accumulent à un point de vidange (par ex., réservoir, filtre, dispositifs de postrefroidissement ou sécheur). Le condensat contient de l'huile lubrifiante ou des substances contrôlées, ou les deux, et doivent être éliminés conformément aux lois et règlements municipaux, provinciaux, territoriaux et fédéraux.

1. S'assurer que le commutateur Marche/Arrêt est en position d'ARRÊT.
2. Incliner le compresseur de sorte que la soupape de purge (H) est au point le plus bas (cette position aidera à éliminer l'humidité, les saletés, etc. des réservoirs d'air).
3. Déposer un récipient convenable sous la soupape de purge pour recueillir les résidus.
4. Saisir le bouton moleté sur la soupape de purge.
5. Tourner lentement le bouton pour purger graduellement l'air du réservoir.

▲AVERTISSEMENT : *Risque d'éclatement. Purger le réservoir d'air quotidiennement. L'eau se condensera dans le réservoir d'air. Si l'eau n'est pas vidangée, elle corrodera et affaiblira le réservoir d'air, provoquant ainsi un risque de rupture du réservoir d'air.*

MISE EN GARDE : *Risque de dommages à la propriété. L'eau qui est purgée du réservoir d'air pourrait contenir de l'huile et de la rouille. Ces derniers risquent de tacher.*

6. Une fois que le manomètre du réservoir affiche 68,9 kPa (10 psi), tourner complètement le levier en position ouverte.
7. Fermer la soupape de purge dès la fin de l'opération.

Huile de la pompe du compresseur (Fig. 1)

VÉRIFICATION DE L'HUILE

▲AVERTISSEMENT : *Surfaces chaudes. Risque de brûlure. Le postrefroidisseur, la tête de pompe et les pièces contiguës sont très chaudes – ne pas les toucher (consulter la rubrique Surfaces chaudes de la figure 2). Laisser refroidir le compresseur avant d'effectuer des réparations sur l'appareil.*

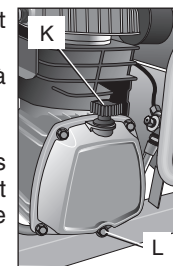
1. S'assurer que le commutateur Marche/Arrêt est en position d'ARRÊT.
2. Déposer l'appareil sur une surface plane à niveau.
3. Retirer la jauge d'huile (K) et l'essuyer.
4. Réinsérer totalement la jauge d'huile dans l'orifice de remplissage d'huile pendant quelques secondes pour permettre à l'huile de s'imprégner sur la jauge.
5. Retirer la jauge pour lire le niveau de l'huile. L'huile ne doit pas dépasser la ligne indiquée sur la jauge. Si l'huile se situe en dessous de la marque, ajouter de qualité supérieure ISO 100/SAE40, huile non-détergente et suivez les Étapes 4 - 6.

REMARQUE : lors du remplissage du carter, l'huile s'écoule très lentement dans la pompe. Si l'huile est ajoutée trop rapidement, elle débordera et le réservoir paraîtra plein.

▲MISE EN GARDE : *Risque d'utilisation dangereuse.*

Un réservoir trop plein d'huile provoquera une défaillance prématurée du compresseur. Ne pas remplir plus que nécessaire.

6. Remplacer la jauge.



VIDANGE D'HUILE

REMARQUE : l'huile de la pompe pourrait contenir des substances contrôlées et doit être mise au rebut conformément aux lois et règlements municipaux, provinciaux, territoriaux et fédéraux.

▲AVERTISSEMENT : Surfaces chaudes. Risque de brûlure. Le postrefroidisseur, la tête de pompe et les pièces contiguës sont très chaudes – ne pas les toucher (consulter la rubrique Surfaces chaudes de la figure 2). Laisser refroidir le compresseur avant d'effectuer des réparations sur l'appareil.

1. S'assurer que le commutateur Marche/Arrêt est en position d'ARRÊT.
2. Laisser refroidir l'appareil.
3. Débrancher le compresseur d'air.
4. Purger le réservoir d'air.
5. Déposer un récipient convenable sous le bouchon de vidange de la pompe (L).
6. Retirer la jauge graduée (K) du carter.
7. Dévisser et retirer le bouchon de vidange d'huile (L).
8. Laisser suffisamment de temps pour que l'huile s'écoule complètement (une inclinaison du compresseur en direction du bouchon de vidange aidera à la vidange).
9. Remettre le bouchon de vidange d'huile en place.
10. Remplir la pompe avec de l'huile de qualité supérieure ISO 100/SAE40, huile non-détergente pour compresseur.
11. Remplacer la jauge.

ACCESSOIRES

Les accessoires recommandés pour votre outil peuvent être achetés auprès du distributeur local ou d'un centre de réparation agréé. Si vous avez besoin d'assistance pour trouver un accessoire pour

votre outil, veuillez contacter AIR-MATE Compressors., 701 East Joppa Road, Baltimore, MD 21286, États-Unis, composer le 1-888-88EMGLO (1-888-883-6456).

▲MISE EN GARDE : L'utilisation de tout autre accessoire non recommandé avec cet outil pourrait s'avérer dangereuse. Utiliser uniquement des accessoires de classement égal ou supérieur à celui de la compresseur d'air.

Information sur les réparations

Veuillez recueillir les informations suivantes pour tous les appels au Service à la clientèle :

Numéro du modèle _____ Numéro de série _____

Date et lieu de l'achat _____

Réparations

Pour assurer la SÉCURITÉ et la FIABILITÉ du produit, les réparations, l'entretien et les réglages doivent être réalisés par un centre de réparation en usine ou par d'autres techniciens qualifiés. Toujours utiliser des pièces de rechange identiques.

Garantie complète d'un (1) an

Compresseurs d'AIR-MATE garantit les outils industriels de service intensif contre tout défaut de matériel ou de fabrication pour une période d'un an à compter de la date d'achat. AIR-MATE réparera gratuitement toutes déficiences provoquées par un défaut de matériel ou de fabrication. Pour des renseignements relatifs aux réparations sous garantie, composer le 1-888-88EMGLO (1-888-883-6456). Cette garantie ne s'applique pas aux accessoires ni aux dommages causés par des réparations réalisées ou tentées par des tiers. Cette garantie vous accorde des droits légaux spécifiques et il est possible que vous ayez d'autres droits qui varient d'un État ou d'une province à l'autre.

Guide de dépannage

Cette section énumère les défaillances les plus communes, leurs causes et les mesures correctives. L'opérateur ou le personnel d'entretien peut exécuter certaines mesures correctives, d'autres exigent l'assistance d'un technicien qualifié ou du distributeur.

Problème	Code
Pression excessive dans le réservoir d'air - la soupape de sûreté claque	1,2
Fuites d'air	3
Fuites d'air dans le réservoir d'air ou dans les soudures du réservoir d'air	4
Fuites d'air entre la tête et la plaque porte-soupapes	5
Fuites d'air à la soupape de sûreté.....	6
Cliquetis	6,16,17
Le relevé de pression sur le manomètre réglementé chute lorsque l'accessoire est utilisé	7
Le compresseur ne fournit pas la quantité d'air requise pour le fonctionnement d'accessoires.....	8,9,10,11,12,15
Fuite d'air continue au bouton du régulateur	13
Le régulateur ne parvient pas à fermer la sortie d'air	13
Humidité présente dans le carter de la pompe	14,18
Moteur refuse de démarrer	11,19,20,21,22,23,24,25,26

Codes de dépannage

CODE	CAUSE POSSIBLE	SOLUTION POSSIBLE
1	Le manocontacteur n'éteint pas le moteur lorsque le compresseur atteint la pression de déclenchement.	Mettre l'interrupteur Marche/Arrêt en position d'ARRÊT, si l'appareil ne s'éteint pas, contacter un centre de réparation en usine.
2	La pression de l'interrupteur de déclenchement est trop élevée	Communiquer avec un centre de réparation en usine.
3	Les raccords de tube ne sont pas assez serrés.	Serrer les raccords qui émettent un sifflement de fuite d'air. Contrôler les raccords avec une solution d'eau savonneuse. Ne serrez pas trop.

CODE	CAUSE POSSIBLE	SOLUTION POSSIBLE
4	Réservoir d'air défectueux	Le réservoir d'air doit être remplacé. Ne pas réparer la fuite. ▲AVERTISSEMENT : <i>Risque d'éclatement. Ne pas percer le réservoir d'air, ni le souder ou le modifier de quelque manière qui soit. Ces interventions l'affaibliront. Le réservoir risque de rompre ou d'exploser.</i>
5	Joints d'étanchéité fuyants	Communiquer avec un centre de réparation en usine.
6	Soupape de sûreté défectueuse	Faites fonctionner la soupape manuellement en tirant sur la bague. Si la soupape fuit toujours, la remplacer.
7	Le régulateur n'est pas réglé correctement pour l'accessoire utilisé	Il est normal que la pression chute lorsqu'un accessoire est utilisé, ajuster le régulateur comme indiqué sous <i>Caractéristiques</i> si la pression chute trop. REMARQUE : Régler la pression régulée sous des conditions de travail avec l'utilisation de l'accessoire.
8	Utilisation excessive prolongée de l'air	Diminuer la quantité d'air utilisée.
9	Le compresseur ne dispose pas de la capacité adéquate pour l'utilisation d'accessoires	Vérifier les exigences d'air de l'accessoire. Si elles sont supérieures au SCFM ou à la pression fournie par le compresseur d'air, un compresseur de plus grande capacité est requis pour l'utilisation de l'accessoire.
10	Trou dans le tuyau d'air	Remplacer le tuyau d'air.
11	Clapet obstrué	Retirer, nettoyer ou remplacer.
12	Fuites d'air	Serrez les raccords.
13	Le régulateur est endommagé	Le remplacer.
14	L'appareil fonctionne dans des conditions humides ou fraîches	Déplacer l'appareil dans un endroit sec bien aéré.

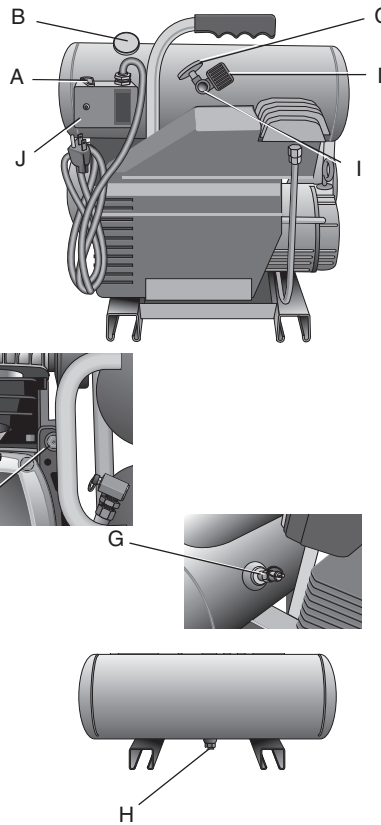
CODE	CAUSE POSSIBLE	SOLUTION POSSIBLE
15	Filtre d'admission d'air obstrué	Nettoyer ou remplacer le filtre d'admission d'air.
16	Niveau d'huile de la pompe bas	Ajouter de l'huile de qualité supérieure ISO 100/SAE40, huile non-détergente pour compresseur, dans la pompe.
17	Accumulation de carbone dans la pompe	Communiquer avec un centre de réparation en usine.
18	Utilisation d'huile détergente dans la pompe	Vidanger l'huile et remplir avec le l'huile de qualité supérieure ISO 100/SAE40, huile non-détergente.
19	Le commutateur de protection de surcharge du moteur a été déclenché.	Consulter la rubrique Surcharge du moteur sous <i>Caractéristiques</i> .
20	La rallonge n'a pas la bonne longueur ou épaisseur.	Vérifier la bonne longueur ou épaisseur du cordon. Consulter la rubrique Rallonges sous <i>Installation</i> .
21	Raccords électriques lâches	Communiquer avec un centre de réparation en usine.
22	Possibilité d'un moteur ou d'un condensateur de démarrage défectueux	Communiquer avec un centre de réparation en usine.
23	Présence de peinture sur les pièces internes du moteur	Communiquer avec un centre de réparation en usine. Ne pas faire fonctionner le compresseur dans une zone de pulvérisation de peinture. Lire l'avertissement concernant les vapeurs inflammables

CODE	CAUSE POSSIBLE	SOLUTION POSSIBLE
24	Fusible grillé, disjoncteur déclenché	<ol style="list-style-type: none"> 1. Vérifiez la boîte à fusibles et remplacez les fusibles, au besoin. Remettez le disjoncteur à zéro. N'utilisez pas un fusible ou un disjoncteur ayant une puissance nominale supérieure à ce qui est précisé pour votre circuit de dérivation. 2. Vérifiez s'il s'agit du bon fusible. Utilisez seulement des fusibles temporisés. 3. Vérifiez s'il y a un problème de basse tension et/ou de mauvaise rallonge. 4. Débranchez les autres appareils électriques du circuit ou faites fonctionner le compresseur sur son propre circuit de dérivation.
25	La pression du réservoir excède la pression d'enclenchement du commutateur	Le moteur démarre automatiquement lorsque la pression du réservoir chute sous la pression d'enclenchement .
26	La soupape de décompression du commutateur de pression n'a pas décompressé la pression de refoulement	Réglez l'interrupteur Marche/Arrêt à Arrêt (OFF). Si la soupape ne s'ouvre pas, remplacez-la. Communiquer avec un centre de réparation en usine.

Compresor de aire

- A. Interruptor de encendido/apagado
- B. Manómetro del tanque de aire
- C. Manómetro regulado
- D. Regulador de presión
- E. Reinicio del motor
- F. Válvula de control
- G. Válvula de seguridad
- H. Válvula de drenaje del tanque de aire
- I. Salida de aire
- J. Interruptor de presión
- K. Varilla para medición del nivel de aceite de la bomba
- L. Tapón de drenaje de aceite de la bomba
- M. Filtro de entrada de aire

FIG. 1

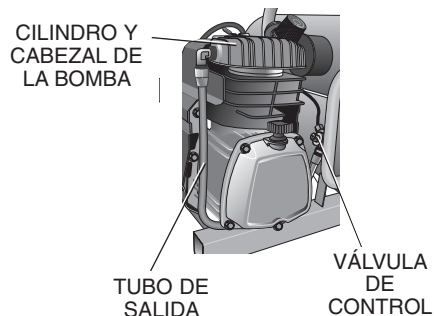


Especificaciones

MODELO	AM782HC4V
PESO	25,6 kg (56,5 libras)
ALTURA	501,7 mm (16,75 pulg)
ANCHO	469,9 mm (18,5 pulg)
LONGITUD	457,2 mm (18,0 pulg)
CAPACIDAD DEL TANQUE DE AIRE (LITROS)	15,1 liters (4,0 galones)
PRESIÓN DE ARRANQUE APROXIMADA	655 kPa (95 PSI)
PRESIÓN DE CORTE APROX.	861,8 kPa (125 PSI)
SCFM A 100 PSI (620,5 kPa)	3,8
MOTOR	1,1 CV (continuo)
Voltios/Amperios/Hertz	120V/15 A/60 Hz.
RPM	3 400
Requisito mínimo para el circuito de derivación	15 Amp
CAPACIDAD DE ACEITE	354,9 ml (12 onzas)

Superficies calientes

FIG. 2



Définitions : lignes directrices en matière de sécurité

Las siguientes definiciones describen el nivel de gravedad de cada advertencia. Lea el manual y preste atención a estos símbolos.

▲PELIGRO: indica una situación de peligro inminente que, si no se evita, **provocará la muerte o lesiones graves.**

▲ADVERTENCIA: Indica una situación de peligro potencial que, si no se evita, **podría provocar la muerte o lesiones graves**

▲PRECAUCIÓN: Indica una situación de peligro potencial que, si no se evita, **puede provocar lesiones leves o moderadas.**

PRECAUCIÓN: Utilizado sin el símbolo de alerta de seguridad indica una situación de peligro potencial que, si no se evita, **puede provocar daños en la propiedad.**

Instrucciones de seguridad importantes

ADVERTENCIA: No opere esta unidad hasta que haya leído y comprendido este manual de instrucciones de seguridad, operación y mantenimiento.

▲ADVERTENCIA: Algunas partículas originadas al lijar, aserrar, amolar, taladrar y realizar otras actividades de construcción contienen productos químicos reconocidos por el Estado de California como causantes de cáncer, defectos de nacimiento u otros problemas reproductivos. Algunos ejemplos de estos productos químicos son:

- el plomo de las pinturas de base plomo
- la sílice cristalina de ladrillos, cemento y otros productos de mampostería,
- el arsénico y cromo de madera con tratamiento químico.

El riesgo derivado de estas exposiciones varía según la frecuencia con la que se realice este tipo de trabajo. Para reducir la exposición a estos productos químicos: trabaje en áreas bien ventiladas y con equipos de seguridad aprobados, use siempre mascarilla facial o de respiración adecuada y aprobada por OSHA/MSHA/NIOSH cuando use este tipo de herramientas.

Cuando se utilizan herramientas neumáticas, siempre se deben respetar las precauciones de seguridad para reducir el riesgo de lesiones personales.

▲ADVERTENCIA: Este producto contiene sustancias químicas, incluido el plomo, reconocidas por el Estado de California como causantes de cáncer, defectos de nacimiento u otros problemas reproductivos. Lávese las manos después de utilizarlo.

GUARDE ESTAS INSTRUCCIONES



▲ PELIGRO: Riesgo de explosión o incendio

¿QUÉ PUEDE SUCEDER?

- Es normal que los contactos eléctricos dentro del motor y el interruptor de presión produzcan chispas.
- Si las chispas eléctricas del compresor entran en contacto con vapores inflamables, pueden encenderse, provocando un incendio o una explosión.

CÓMO EVITARLO

- Opere siempre el compresor en un área bien ventilada libre de materiales combustibles, gasolina o vapores de solventes.
- Si se pulverizan materiales inflamables, ubique el compresor al menos a 6,1 m (20 pies) del área de pulverización. Se puede necesitar manguera adicional.
- Guarde los materiales inflamables en lugar seguro lejos del compresor.

- Restringir cualquiera de las aberturas de ventilación del compresor puede producir un sobrecalentamiento grave y podría provocar un incendio.
- Nunca coloque objetos contra o sobre el compresor.
- Opere el compresor en un lugar abierto con una distancia de al menos 30,5 cm (12 pulg.) a cualquier pared u obstrucción que pudiera restringir el flujo de aire fresco a las aberturas de ventilación.
- Opere el compresor en un área limpia, seca y bien ventilada. No opere la unidad dentro de la casa o en un área muy cerrada.
- El funcionamiento sin atención de este producto podría provocar lesiones personales o daños a la propiedad. Para disminuir el riesgo de incendio, no permita que el compresor funcione sin que alguien lo controle.
- Permanezca siempre controlando el producto cuando está en funcionamiento.
- Siempre apague y desenchufe la unidad cuando no esté en uso.



▲ PELIGRO: RIESGO RESPIRATORIO (ASFIXIA)

¿QUÉ PUEDE SUCEDER?

- El aire comprimido que sale de su compresor no es seguro para respirarlo. El flujo de aire puede contener monóxido de carbono, vapores tóxicos o partículas sólidas del tanque de aire. Respirar estos contaminantes puede provocar lesiones graves o la muerte.

CÓMO EVITARLO

- El aire que se obtiene directamente del compresor no se debe usar nunca para consumo humano. Para poder utilizar el aire producido por este compresor para respirar, se deben instalar correctamente filtros y equipos en línea adecuados. Los filtros y los equipos de seguridad en línea que se usan junto con el compresor deben ser capaces de tratar el aire según todos los códigos locales y federales antes de que sea consumido por seres humanos.
- Trabaje en un área con buena ventilación cruzada. Lea y siga las instrucciones de seguridad que se proveen en la etiqueta o en la ficha técnica de los materiales que está utilizando. Utilice siempre equipo de seguridad certificado: protección respiratoria aprobada por NIOSH/OSHA y diseñada para usar para los fines que usted requiere.

- Los materiales pulverizados como pintura, solventes para pinturas, removedor de pintura, insecticidas y herbicidas pueden contener vapores dañinos y venenos.



▲ PELIGRO: RIESGO DE LESIÓN O DAÑO A LA PROPIEDAD AL TRANSPORTAR O ALMACENAR LA UNIDAD

¿QUÉ PUEDE SUCEDER?

- Se puede producir una pérdida o derrame de aceite, lo que podría provocar peligro de incendio o inhalación, lesiones graves o la muerte. Los derrames de aceite dañarán alfombras, pintura u otras superficies de vehículos o remolques.

CÓMO EVITARLO

- Coloque siempre el compresor en un tapete protector cuando lo transporte, para proteger al vehículo de daños por pérdidas. Retire inmediatamente el compresor del vehículo una vez que haya llegado a destino. Mantenga siempre el compresor nivelado y nunca lo coloque de costado.



▲ ADVERTENCIA: RIESGO DE EXPLOSIÓN

Tanque de aire: El tanque de aire de su compresor de aire está diseñado y puede tener código UM (para unidades con tanques de aire de más de 152 mm (6 pulg.) de diámetro) según las normas de la ASME, Sección VIII, Div. 1. Todos los recipientes de presión se deben inspeccionar cada dos años. Para encontrar al inspector de recipientes de presión de su estado, busque en la División Trabajo e Industrias de la sección gubernamental de la guía telefónica o llame al 1-888-88EMGLO (1-888-883-6456) para obtener ayuda.

Las siguientes condiciones podrían llevar a un debilitamiento del tanque de aire, y provocar una explosión violenta del tanque:

¿QUÉ PUEDE SUCCEDER?

- No drenar correctamente el agua condensada del tanque de aire, que provoca óxido y adelgazamiento del tanque de aire de acero.
- Modificaciones o intento de reparación del tanque de aire.
- Las modificaciones no autorizadas de la válvula de seguridad o cualquier otro componente que controle la presión del tanque.

CÓMO EVITARLO

- Drene el tanque diariamente o luego de cada uso. Si un tanque de aire presenta una pérdida, reemplácelo inmediatamente con un tanque nuevo o reemplace todo el compresor.
- Nunca perforo, suelde o haga ninguna modificación al tanque de aire o a sus elementos. Nunca intente reparar un tanque de aire dañado o con pérdidas. Reemplácelo con un tanque de aire nuevo.
- El tanque está diseñado para soportar determinadas presiones de operación. Nunca realice ajustes ni sustituya piezas para cambiar las presiones de operación fijadas en la fábrica.

Elementos y accesorios:

- Exceder las indicaciones de presión para las herramientas neumáticas, las pistolas pulverizadoras, los accesorios neumáticos, los neumáticos y otros artículos inflables puede hacer que exploten o revienten, y puede provocar lesiones graves.
- Siga la recomendación del fabricante del equipo y nunca exceda el nivel máximo de presión aceptable para los elementos. Nunca utilice el compresor para inflar objetos pequeños de baja presión, tales como juguetes de niños, pelotas de fútbol o de basquetbol, etc.

**▲ADVERTENCIA: RIESGO DE DESCARGA ELÉCTRICA****¿QUÉ PUEDE SUCCEDER?**

- Su compresor de aire funciona con electricidad. Como cualquier otro mecanismo que funciona con electricidad, si no se lo utiliza correctamente puede provocar descargas eléctricas.
- Que personal no calificado intente realizar reparaciones puede provocar lesiones graves o muerte por electrocución.
- **Puesta a tierra:** La no colocación de la puesta a tierra adecuada para este producto puede provocar lesiones graves o muerte por electrocución. **Consulte las Instrucciones de Conexión a tierra en *Instalación*.**

CÓMO EVITARLO

- Nunca haga funcionar el compresor al aire libre cuando está lloviendo o en condiciones de humedad.
- Nunca haga funcionar el compresor sin las cubiertas de protección o si están dañadas.
- Cualquier cableado eléctrico o las reparaciones requeridas para este producto deben ser realizadas por un centro de servicio de fábrica de acuerdo con los códigos eléctricos nacionales y locales.
- Asegúrese de que el circuito eléctrico al que se conecta el compresor suministre la conexión a tierra adecuada, el voltaje adecuado y el fusible de protección adecuado.



⚠ADVERTENCIA: RIESGO DE OBJETOS DESPEDIDOS

¿QUÉ PUEDE SUCEDER?

- La corriente de aire comprimido puede provocar lesiones en los tejidos blandos de la piel expuesta y puede impulsar suciedad, astillas, partículas sueltas y objetos pequeños a gran velocidad, que pueden producir daños en la propiedad y lesiones personales.

CÓMO EVITARLO

- Utilice siempre equipo de seguridad certificado: anteojos de seguridad ANSI Z87.1 (CAN/CSA Z94.3) con protección lateral al usar el compresor.
- Nunca apunte ninguna boquilla ni pulverizador a ninguna parte del cuerpo o a otras personas o animales.
- Apague siempre el compresor y drene la presión de la manguera de aire y del tanque de aire antes de intentar hacer mantenimiento, conectar herramientas o accesorios.



⚠ADVERTENCIA: RIESGO DE SUPERFICIES CALIENTES

¿QUÉ PUEDE SUCEDER?

- Tocar metal expuesto como el cabezal del compresor, el cabezal del motor, el escape del motor, o los tubos de salida puede provocar quemaduras graves.

CÓMO EVITARLO

- Nunca toque ninguna parte metálica expuesta del compresor durante o inmediatamente después de su funcionamiento. El compresor continuará caliente durante varios minutos después de su funcionamiento.
- No toque las cubiertas protectoras ni intente realizar mantenimiento hasta que la unidad se haya enfriado.



▲ADVERTENCIA: RIESGO POR PIEZAS MÓVILES

¿QUÉ PUEDE SUCEDER?

- Las piezas móviles como la polea, el volante y la correa pueden provocar lesiones graves si entran en contacto con usted o con sus ropas.

CÓMO EVITARLO

- Nunca haga funcionar el compresor sin los protectores o cubiertas o si los mismos están dañados.
- Mantenga el cabello, la ropa y los guantes alejados de las piezas en movimiento. Las ropas holgadas, las joyas o el cabello largo pueden quedar atrapados en las piezas móviles.
- Los orificios de ventilación pueden cubrir piezas en movimiento, por lo que también se deben evitar.
- Cualquier reparación requerida por este producto debe ser realizada por un centro de servicio de fábrica.
- Intentar hacer funcionar el compresor con partes dañadas o faltantes, o intentar reparar el compresor sin las cubiertas protectoras puede exponerlo a piezas móviles lo que puede provocar lesiones graves.



▲ADVERTENCIA: RIESGO DE OPERACIÓN INSEGURA

¿QUÉ PUEDE SUCEDER?

- La operación insegura de su compresor de aire podría producir lesiones graves o la muerte, a usted mismo o a otras personas.

CÓMO EVITARLO

- Revise y comprenda todas las instrucciones y advertencias de este manual.
- Familiarícese con la operación y los controles del compresor de aire.
- Mantenga el área de operaciones libre de personas, mascotas y obstáculos.
- Mantenga a los niños alejados del compresor de aire en todo momento.
- No opere el producto cuando esté cansado o bajo la influencia de alcohol o drogas. Manténgase alerta en todo momento.
- Nunca anule las características de seguridad de este producto.
- Equipe el área de operaciones con un extintor de incendios.
- No opere la máquina si faltan piezas, si éstas están rotas o si no son las autorizadas.



▲ADVERTENCIA: RIESGO DE CAÍDAS

¿QUÉ PUEDE SUCCEDER?

- Un compresor portátil se puede caer de una mesa, banco o techo, provocando daños al compresor y puede producir lesiones graves o la muerte del operador.

CÓMO EVITARLO

- Opere siempre el compresor en una posición estable y segura para evitar que la unidad se mueva accidentalmente. Nunca opere el compresor sobre un techo u otra ubicación elevada. Utilice una manguera de aire adicional para alcanzar las ubicaciones elevadas.



▲PRECAUCIÓN: RIESGO POR RUIDOS

¿QUÉ PUEDE SUCCEDER?

- En determinadas condiciones y según el período de uso, el ruido provocado por este producto puede originar pérdida de audición.

CÓMO EVITARLO

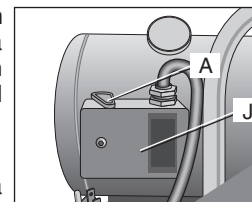
- Utilice siempre equipo de seguridad certificado: protección auditiva ANSI S12.6 (S3.19).

CONSERVE ESTAS INSTRUCCIONES PARA FUTURAS CONSULTAS

CARACTERÍSTICAS (Fig. 1)

INTERRUPTOR DE ENCENDIDO/APAGADO

Coloque este interruptor (A) en la posición Encendido (ON) para suministrar energía automática al interruptor de presión y en Apagado (OFF) para cortar la energía al final de cada uso.



INTERRUPTOR DE PRESIÓN

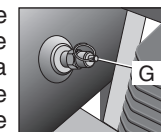
El interruptor de presión (J) arranca automáticamente el motor cuando la presión del tanque de aire cae por debajo de la **presión** de arranque fijada en fábrica. Detiene el motor cuando la presión del tanque de aire alcanza la **presión** de corte fijada en fábrica.

VÁLVULA ALIVIADORA DE PRESIÓN

La válvula aliviadora de presión se encuentra ubicada en el costado del interruptor de presión; ha sido diseñada para liberar automáticamente el aire comprimido de la cabeza compresora y el tubo de salida, cuando el compresor de aire alcanza la **presión** de corte o es apagado. La válvula aliviadora de presión permite el arranque libre del motor. Cuando el motor se detiene, debería escucharse el escape del aire a través de dicha válvula durante unos segundos. No debe escucharse escape alguno mientras el motor está en marcha, ni pérdidas continuas una vez que se alcanzó la **presión** de corte.

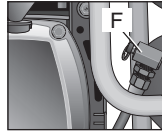
VÁLVULA DE SEGURIDAD

Si el interruptor de presión no apaga el compresor de aire en su punto de presión de corte, la válvula de seguridad (G) protegerá contra la presión alta saltando a la presión fijada en fábrica (ligeramente mayor que la fijada para el corte del interruptor de presión).



VÁLVULA DE CONTROL

Cuando el compresor de aire está funcionando, la válvula de control (F) está abierta, permitiendo al aire comprimido entrar al tanque de aire. Cuando el compresor de aire alcanza la presión de corte, la válvula de control se cierra, permitiendo que la presión de aire se conserve dentro del tanque de aire.



MANÓMETRO (MEDIDOR DE PRESIÓN) DEL TANQUE

El manómetro (medidor de presión) del tanque (B) indica la presión de aire de reserva en el tanque.

MANÓMETRO (MEDIDOR DE PRESIÓN) DE SALIDA

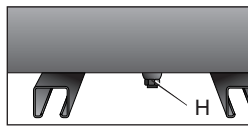
El manómetro (medidor de presión) de salida (C) indica la presión del aire disponible en la salida del regulador. Esta presión la controla el regulador y es siempre menor que o igual a la presión del tanque.

REGULADOR

El regulador (D) controla la presión de aire que indica el manómetro de salida. Gire la perilla en el sentido de las agujas del reloj para aumentar la presión y en el sentido contrario a las agujas del reloj para disminuir la presión.

VÁLVULA DE DRENAJE

La válvula de drenaje (H) está ubicada en la base del tanque de aire y se utiliza para drenar la condensación al terminar cada etapa de uso. Consulte **Drenar el tanque de aire** en la sección *Mantenimiento*.



SISTEMA DE ENFRIAMIENTO

Este compresor tiene un sistema de enfriamiento de diseño avanzado. Es normal que este ventilador sople aire a través de los orificios de ventilación en cantidades importantes. El sistema de enfriamiento está funcionando cuando se expulsa aire.

BOMBA DEL COMPRESOR DE AIRE

La bomba comprime el aire en el tanque de aire. No hay aire para trabajar hasta que el compresor no ha elevado la presión del tanque de aire por encima de la requerida en la salida de aire.

PROTECTOR DE SOBRECARGA DEL MOTOR

Este motor tiene un protector de sobrecarga térmica manual. Si el motor se recalienta por alguna razón, el protector de sobrecarga apagará el motor. Se debe permitir que el motor se enfríe antes de volver a encenderlo. Para volver a encenderlo:

1. Asegúrese de que el interruptor Encendido/Apagado (On/Off) (A) está en la posición Apagado (OFF).
2. Espere que el motor se enfríe.
3. Oprima el botón de reinicio (E) que se encuentra sobre el motor.

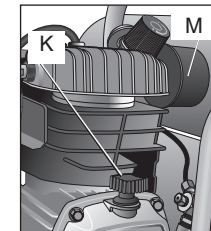


VARILLA PARA MEDICIÓN DEL NIVEL DE ACEITE

La varilla para medición del nivel de aceite (K) indica la cantidad de aceite de la bomba. Controle el aceite de la bomba diariamente, consulte **Aceite de la bomba del compresor** en la sección *Mantenimiento*.

FILTRO DE ENTRADA DE AIRE

El filtro (M) está diseñado para limpiar el aire que ingresa a la bomba. Para asegurar que la bomba reciba continuamente un suministro de aire limpio, fresco y seco, el filtro debe estar siempre limpio y la entrada del filtro libre de obstrucciones.



INSTALACIÓN

Ensamblaje

INSTALACIÓN DE LAS MANGUERAS

▲ADVERTENCIA: Riesgo de operación insegura. Sostenga la manguera firmemente con las manos al instalarla o desconectarla para evitar la desconexión repentina de la manguera.

1. Asegúrese de que el manómetro regulado marque 0 kPa (0 PSI).
2. Coloque cinta selladora en las roscas de la manguera.
3. Ensamble la manguera a la salida de aire (I). **IMPORTANTE:** No ensamble los separadores directamente a la salida de aire (I).

NOTA: Ensamblar conectores rápidos a las salidas de aire (I) y enchufes de conexión rápida a los extremos de la manguera hace que la conexión y la desconexión de las mangueras sea más simple y fácil. Los conectores rápidos y los enchufes de conexión rápida se pueden comprar en un comercio minorista o en un centro de mantenimiento autorizado.

DESCONEXIÓN DE LAS MANGUERAS

▲ADVERTENCIA: Riesgo de operación insegura. Sostenga la manguera firmemente con las manos al instalarla o desconectarla para evitar la desconexión repentina de la manguera.

1. Asegúrese de que el manómetro regulado marque 0 kPa (0 PSI).
2. Retire la manguera de la(s) salida de aire (I).

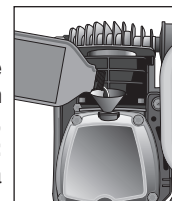
Lubricación y aceite

PRECAUCIÓN: El compresor viene sin aceite en la carcasa. Al recibir el compresor de aire, puede haber una pequeña cantidad de aceite en la bomba. Esto es debido a las pruebas realizadas y no significa que la bomba contenga aceite. No intente operar este compresor de aire sin agregar primero aceite a la carcasa. Operarlo incluso en forma limitada puede producir daños graves salvo que se

llene con aceite y se asiente correctamente. Siga cuidadosamente la **Configuración inicial** en la sección **Funcionamiento**.

PRECAUCIÓN: Los aceites para el motor de viscosidad múltiple, como el 10W-30, no se deben utilizar en un compresor de aire. Dejan depósitos de carbono en componentes críticos, disminuyendo de esa forma el rendimiento y la vida útil del compresor. Utilice solamente premium para compresor de aire aceite no detergente, ISO 100/SAE40.

1. Coloque la unidad sobre una superficie plana.
2. Retire la varilla para medición del nivel de aceite (K) y agregue lentamente premium para compresor de aire aceite no detergente, ISO 100/SAE40 (suministrado). **NOTA:** Consulte las Especificaciones para ver la capacidad de aceite de la bomba.



PRECAUCIÓN: Riesgo de operación insegura. Cargar aceite en forma excesiva provocará la falla prematura del compresor. No llene de más.

3. Vuelva a colocar la varilla para medición del nivel de aceite.

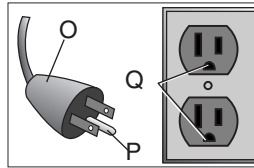
Instrucciones de conexión a tierra

▲ADVERTENCIA: Riesgo de descarga eléctrica. En el caso de cortocircuito, la puesta a tierra reduce el riesgo de descarga eléctrica al proveer un cable de escape para la corriente eléctrica. Este compresor de aire debe estar correctamente conectado a tierra.

El compresor de aire portátil está equipado con un cable que tiene un cable a tierra con el enchufe a tierra apropiado.

1. El juego de cable y enchufe (O) de esta unidad tiene una pata a tierra (P). Este enchufe **SE DEBE** usar con un tomacorriente con puesta a tierra (Q).

IMPORTANTE: El tomacorriente que se utiliza debe estar instalado y puesto a tierra de acuerdo con todos los códigos y ordenanzas locales.



2. Asegúrese de que el tomacorriente que se utiliza tenga la misma configuración que el enchufe a tierra. **NO UTILICE UN ADAPTADOR.**
3. Inspeccione el enchufe y el cable cada vez que vaya a utilizarlo. No lo utilice si hay señales de daño.
4. Si no se comprenden completamente estas instrucciones de puesta a tierra, o si tiene dudas sobre si el compresor está puesto a tierra correctamente, haga que un electricista calificado controle la instalación.

▲ PELIGRO: Riesgo de descarga eléctrica. UNA PUESTA A TIERRA INCORRECTA PUEDE PROVOCAR UNA DESCARGA ELÉCTRICA.

- No modifique el enchufe provisto. Si no coincide con el tomacorriente disponible, un electricista calificado debe instalar un tomacorriente apropiado.
- Las reparaciones del cable o del enchufe deben ser realizadas por un electricista calificado.

Cables prolongadores

Se recomienda no utilizar cables prolongadores. El uso de cables prolongadores producirá una caída de voltaje que provocará una pérdida de potencia en el motor y sobrecalentamiento.

En lugar de utilizar un cable prolongador, aumente el alcance de operación de la manguera de aire conectando otro trozo de

manguera en su extremo. Conecte trozos adicionales de manguera según sea necesario.

Si se debe utilizar un cable prolongador, asegúrese de que sea:

- un cable prolongador de 3 conductores que tenga un enchufe macho de 3 patas con puesta a tierra, y un enchufe hembra de 3 ranuras que acepte el enchufe del producto
- que esté en buen estado
- que tenga menos de 15,2 metros (50 pies)
- calibre 12 (AWG) o mayor. (La medida de los cables aumenta a medida que disminuye el número de calibre. También se pueden usar 10 AWG y 8 AWG. **NO USE 14 O 16 AWG.**)

Voltaje y protección del circuito

Consulte el voltaje y los requisitos mínimos del circuito de derivación en la sección *Especificaciones*.

▲ PRECAUCIÓN: Ciertos compresores de aire se pueden operar mediante un circuito de 15 A si se cumplen las siguientes condiciones.

- El suministro de voltaje al circuito debe cumplir con el Código de Electricidad Nacional.
- El circuito no se utiliza para cubrir ninguna otra necesidad de electricidad.
- Los cables prolongadores cumplen con las especificaciones.
- El circuito está equipado con un disyuntor de 15 A mínimo o un fusible de acción retardada de 15 A. **NOTA:** Si el compresor está conectado a un circuito protegido con fusibles, utilice únicamente fusibles de acción retardada. Los fusibles de acción retardada deben estar marcados "D" en Canadá y "T" en EE.UU.

Si no se puede cumplir alguna de las condiciones indicadas anteriormente, o si el funcionamiento del compresor provoca repetidas interrupciones de energía, puede ser necesario hacerlo funcionar con un circuito de 20 A. No es necesario cambiar el cable.

Compatibilidad

Las herramientas neumáticas y los accesorios que funcionan con el compresor deben ser compatibles con productos a base de petróleo. Si sospecha que un material no es compatible con productos del petróleo se requiere un filtro de línea de aire que elimine la humedad y el vapor de aceite en el aire comprimido.

NOTA: Utilice siempre un filtro de línea de aire para eliminar la humedad y el vapor de aceite al pulverizar pintura.

Lugar

PRECAUCIÓN: *Riesgo de daño a la propiedad. Para evitar daños en el compresor de aire, no permita que la unidad se incline más de 10° cuando esté en funcionamiento.*

Coloque el compresor de aire en un área limpia, seca y bien ventilada a una distancia de al menos 30,5 mm (12 pulg.) de la pared o cualquier obstrucción que interfieran con el flujo de aire. Mantenga el compresor alejado de áreas que tengan suciedad y/o humo volátil en la atmósfera. Estas impurezas puedan atascar el filtro de entrada y las válvulas, provocando un funcionamiento ineficiente.

La bomba y la cubierta del compresor de aire están diseñadas para permitir un enfriamiento correcto. Las aberturas de ventilación del compresor son necesarias para mantener la temperatura de operación correcta. No coloque trapos u otros recipientes sobre o cerca de estas aberturas.

Coloque el compresor de aire en una superficie plana apoyado en las patas de goma.

CONSIDERACIONES SOBRE EL RUIDO

Consulte a las autoridades locales sobre los niveles de ruido aceptables en su zona. Para disminuir el ruido excesivo, utilice soportes antivibratorios o silenciadores, reubique la unidad o

construya cerramientos completos o tabiques divisorios. Póngase en contacto con un centro de mantenimiento o llame al 1-888-88EMGLO (1-888-883-6456) para obtener ayuda.

ELÉCTRICAS

Consulte todas las instrucciones de seguridad antes de utilizar la unidad. Observe las instrucciones de seguridad del cable prolongador, de ser necesario. Siempre mueva el interruptor de Encendido/Apagado (A) a la posición de Apagado (OFF) antes de quitar el enchufe del tomacorriente.

TRANSPORTE

Al transportar el compresor en un vehículo, remolque, etc., asegúrese de que el tanque se haya drenado y que la unidad esté asegurada y colocada. Maneje con cuidado para evitar que la unidad se incline en el vehículo. El compresor o los elementos circundantes se pueden dañar si el compresor se inclina.

TRASLADAR LA UNIDAD

Cuando transporte el compresor, tome el mango y llévelo tan cerca del cuerpo como sea posible.

▲ADVERTENCIA: *Riesgo de operación insegura. Manténgase bien parado y sea cuidadoso cuando transporte el compresor para no perder el equilibrio.*

PREPARACIÓN PARA EL USO

Lista de control previa a la puesta en marcha (Fig. 1)

1. Asegúrese de que el interruptor Encendido/Apagado (On/Off) (A) está en la posición Apagado (OFF).
2. Enchufe el cable eléctrico en el receptáculo apropiado del circuito de derivación. Consulte **Voltaje y protección del circuito** en la sección *Instalación*.

3. Asegúrese de que el tanque de aire se haya drenado, consulte **Drenar el tanque de aire** en la sección *Mantenimiento*.
4. Asegúrese de que la válvula de drenaje (H) esté cerrada.
5. Asegúrese de que la válvula de seguridad (G) funcione correctamente, consulte **Controlar la válvula de seguridad** en la sección *Mantenimiento*.
6. Controle el nivel de aceite de la bomba, consulte **Aceite de la bomba del compresor** en la sección *Mantenimiento*.

PRECAUCIÓN: No opere la unidad sin aceite o con aceite inadecuado. AIR-MATE no se responsabiliza por las fallas del compresor provocadas por el uso de aceite inadecuado.

7. Gire la perilla del regulador (D) en sentido contrario a las agujas del reloj hasta que esté completamente cerrada. Asegúrese de que el manómetro regulado marque 0 kPa (0 PSI).
8. Conecte la manguera y los accesorios.

ADVERTENCIA: Riesgo de operación insegura. Sostenga la manguera firmemente con las manos al instalarla o desconectarla para evitar la desconexión repentina de la manguera.

9. Asegúrese de que todas las cubiertas y etiquetas estén en su lugar, sean legibles (en el caso de las etiquetas) y estén montados en forma segura. No utilice el compresor hasta que no haya verificado todos los puntos.

ADVERTENCIA: Riesgo de explosión. Demasiada presión de aire produce peligro de estallido. Controle el valor nominal máximo de presión del fabricante para las herramientas y los accesorios neumáticos. La presión de salida del regulador nunca debe exceder el valor máximo de presión.

Configuración inicial (Fig. 1)

ADVERTENCIA: No opere esta unidad hasta que haya leído y comprendido este manual de instrucciones de seguridad, operación y mantenimiento.

PROCEDIMIENTO DE PUESTA EN MARCHA INICIAL

ADVERTENCIA: No seguir cuidadosamente las siguientes instrucciones de puesta en marcha inicial puede provocar daños graves.

Se requiere este procedimiento **antes** de que el compresor de aire sea puesto en servicio y cuando se ha reemplazado la válvula de control o la bomba/motor del compresor.

1. Asegúrese de que el interruptor Encendido/Apagado (On/Off) (A) está en la posición Apagado (OFF).
2. Enchufe el cable eléctrico en el receptáculo apropiado del circuito de derivación. Consulte **Voltaje y protección del circuito** en la sección *Instalación*.
3. Abra completamente la válvula de drenaje (en el sentido contrario a las agujas del reloj) para permitir que escape el aire y evitar que se eleve la presión del aire en el tanque de aire durante el período de puesta en marcha inicial.
4. Mueva el botón de Encendido/Apagado (On/Off) a la posición Encendido (ON). El compresor arrancará.
5. Haga funcionar el compresor durante 20 minutos.
6. Luego de 20 minutos, cierre la válvula de drenaje en el sentido de las agujas del reloj. El tanque se llenará hasta **la presión** de corte y el motor se apagará.
7. Habrá aire comprimido disponible hasta que se utilice o descargue.

PROCEDIMIENTOS OPERATIVOS

Puesta en marcha (Fig. 1)

1. Siga la **Lista de control previa a la puesta en marcha** en la sección *Preparación para el uso*.

- Mueva el botón de Encendido/Apagado (On/Off) a la posición Encendido (ON) y permita que se acumule presión en el tanque. El motor se detendrá cuando la presión del tanque alcance la presión de corte.

PRECAUCIÓN: Riesgo de operación insegura. El aire comprimido de la unidad puede contener condensación de agua y emanación de aceite. No pulverice aire no filtrado sobre un artículo que podría dañarse con la humedad. Algunos dispositivos o herramientas neumáticas pueden requerir aire filtrado. Lea las instrucciones del dispositivo o la herramienta neumática.

- Ajuste el regulador (D) en la configuración deseada. Consulte el punto **Regulador** en la sección *Características*.

Apagado (Fig. 1)

- Mueva el interruptor Encendido/Apagado (On/Off) (A) hacia la posición Apagado (OFF). **NOTA:** Si terminó de utilizar el compresor, siga los pasos 2 a 6.
- Gire la perilla del regulador (D) en sentido contrario a las agujas del reloj hasta que esté completamente cerrada. Asegúrese de que el manómetro regulado marque 0 kPa (0 PSI).
- Retire la manguera y los accesorios.
- Drene el tanque de aire, consulte **Drenar el tanque de aire** en la sección *Mantenimiento*. Asegúrese de que el manómetro regulado marque 0 kPa (0 PSI).

ADVERTENCIA: Riesgo de explosión. Drene el tanque de aire diariamente. El agua se condensará en el tanque de aire. Si no se drena, el agua corroerá y debilitará al tanque de aire provocando el riesgo de rotura del mismo.

- Deje enfriar el compresor.
- Limpie el compresor de aire y guárdelo en un área segura, que no se congele.

MANTENIMIENTO

Se deben seguir los siguientes procedimientos cuando se realicen tareas de mantenimiento o servicio en el compresor de aire.

- Asegúrese de que el interruptor Encendido/Apagado (On/Off) esté en la posición Apagado (OFF).
- Retire el enchufe del compresor de aire del tomacorriente.
- Drene el tanque de aire.
- Deje enfriar el compresor de aire antes de comenzar las tareas de mantenimiento.

NOTA: Todos los sistemas de aire comprimido contienen piezas de mantenimiento (por ejemplo, aceite, filtros, separadores) que se reemplazan periódicamente. Estas piezas usadas pueden contener sustancias reguladas y se deben desechar conforme a las leyes y reglamentaciones locales, estatales y federales.

NOTA: Tome nota de las posiciones y ubicaciones de las piezas durante el desarmado para facilitar el reensamblaje.

NOTE: Cualquier tarea de mantenimiento no incluida en esta sección debe ser realizada por un centro de servicio de fábrica.

Tabla de mantenimiento

Procedimiento	Diaria-mente	Semanal-mente	Mensual-mente	1 vez al año o cada 200 horas
Controlar la válvula de seguridad	X			
Inspeccionar el filtro de aire +		X		
Drenar el tanque de aire	X			
Controlar el nivel de aceite de la bomba	X			

Procedimiento	Diaria-mente	Semanal-mente	Mensual-mente	1 vez al año o cada 200 horas
Cambiar el aceite de la bomba ^{***}				X
Inspeccionar si hay pérdidas de aceite	X			
Controlar ruidos o vibraciones inusuales	X			
Verificar si hay pérdidas de aire [*]	X			
Limpiar el exterior del compresor		X		
* Para verificar si hay pérdidas de aire aplique una solución de agua jabonosa alrededor de las juntas. Mientras el compresor bombea para generar presión y luego de que la presión se corte, vea si se forman burbujas de aire.				
** El aceite de la bomba se debe cambiar luego de las primeras 20 horas de funcionamiento. De allí en adelante, cuando utilice el premium para compresor de aire aceite no detergente, ISO 100/SAE40, cambie el aceite cada 200 horas de funcionamiento o una vez al año, lo que ocurra primero.				
+ más frecuente en lugares con humedad o polvo				

Controlar la válvula de seguridad (Fig. 1)

▲ADVERTENCIA: Superficies calientes. Riesgo de quemaduras. El posenfriador, el cabezal de la bomba y las piezas circundantes están muy calientes, no los toque (vea las Superficies calientes identificadas en la Fig. 2). Espere hasta que el compresor se enfríe antes de realizar el mantenimiento.

▲ADVERTENCIA: Riesgo de explosión. Si la válvula de seguridad no trabaja correctamente, puede haber sobrepresurización, provocando la rotura del tanque de aire o una explosión.

Antes de arrancar el compresor, tire del anillo de la válvula de seguridad para asegurarse de que la válvula de seguridad trabaja libremente. Si la válvula está atascada o no opera con facilidad, se la debe reemplazar con el mismo tipo de válvula.

Controlar el elemento del filtro de aire (Fig. 1)

▲ADVERTENCIA: Superficies calientes. Riesgo de quemaduras. El posenfriador, el cabezal de la bomba y las piezas circundantes están muy calientes, no los toque (vea las Superficies calientes identificadas en la Fig. 2). Espere hasta que el compresor se enfríe antes de realizar el mantenimiento.

1. Asegúrese de que el interruptor Encendido/Apagado (On/Off) esté en la posición Apagado (OFF).
2. Espere que la unidad se enfríe.
3. Desenrosque el filtro de aire (M) de la unidad.
4. Cuidadosamente levante la parte superior del filtro de la base.
5. Retire el elemento de la base del filtro.
6. Si el elemento requiere limpieza, sople con aire. Reemplácelo si es necesario. Compre las piezas de repuesto en un comercio minorista o en un centro de mantenimiento autorizado. Utilice siempre piezas de repuesto idénticas.
7. Coloque el elemento nuevamente en la base del filtro.
8. Coloque la parte superior del filtro en la base.
9. Vuelva a conectar el filtro de aire a la unidad. Asegúrese de que la salida de escape apunte hacia abajo.

▲PRECAUCIÓN: Riesgo de operación insegura. No opere la unidad sin el filtro de entrada de aire.

Drenar el tanque de aire (Fig. 1)

⚠ADVERTENCIA: Riesgo de operación insegura. Riesgo por ruidos. Los tanques de aire contienen aire de alta presión. Mantenga la cara y otras partes del cuerpo lejos de la salida del drenaje. Utilice lentes de seguridad [ANSI Z87.1(CAN/CSA Z94.3)], ya que al drenar se pueden desprender residuos hacia la cara. Utilice protección auditiva [ANSI S12.6(S3.19)], ya que el ruido del flujo de aire es alto durante el drenaje.

NOTA: Todos los sistemas de aire comprimido generan condensación que se acumula en cualquier punto de drenaje (por ejemplo, tanques, filtro, posenfriadores, secadores). Esta condensación contiene aceite lubricante y/o sustancias que pueden estar reguladas y que se deben desechar conforme a las leyes y reglamentaciones locales, estatales y federales.

1. Asegúrese de que el interruptor Encendido/Apagado (On/Off) esté en la posición Apagado (OFF).
2. Mueva el compresor hacia una posición inclinada de manera que la válvula de drenaje (H) esté en el punto más bajo (esto ayudará a eliminar la humedad, suciedad, etc. de los tanques de aire).
3. Coloque un recipiente adecuado debajo de la válvula de drenaje para recoger la descarga.
4. Tome el botón estriado de la válvula de drenaje.
5. Gire lentamente el botón para descargar aire del tanque de aire en forma gradual.

⚠ADVERTENCIA: Riesgo de explosión. Drene el tanque de aire diariamente. El agua se condensará en el tanque de aire. Si no se drena, el agua corroerá y debilitará al tanque de aire provocando el riesgo de rotura del mismo.

PRECAUCIÓN: Riesgo de daño a la propiedad. Drene el agua del tanque de aire puede contener aceite y óxido, lo que puede provocar manchas.

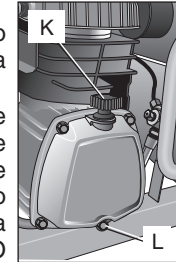
6. Cuando el manómetro del tanque de aire marque 68,9 kPa (10 PSI), gire la válvula hasta la posición de completamente abierta.
7. Cierre la válvula de drenaje cuando termine.

Aceite de la bomba del compresor (Fig. 1)

CONTROLAR EL ACEITE

⚠ADVERTENCIA: Superficies calientes. Riesgo de quemaduras. El posenfriador, el cabezal de la bomba y las piezas circundantes están muy calientes, no los toque (vea las Superficies calientes identificadas en la Fig. 2). Espere hasta que el compresor se enfríe antes de realizar el mantenimiento.

1. Asegúrese de que el interruptor Encendido/Apagado (On/Off) esté en la posición Apagado (OFF).
2. Coloque la unidad en una superficie plana y nivelada.
3. Retire la varilla para medición del nivel de aceite (K) y límpiela.
4. Vuelva a insertar completamente la varilla para medición del nivel de aceite en el orificio de llenado de aceite por unos segundos para permitir que la varilla recoja aceite.
5. Saque la varilla que mide el nivel de aceite para leer el nivel de aceite. El aceite no debe exceder la línea superior en relieve que se encuentra en la varilla. Si el está por debajo de la marca más baja, agregue premium para compresor de aire aceite no detergente, ISO 100/SAE40 y siga los pasos 4 a 6.



NOTA: Al llenar la carcaza, el aceite fluye muy lentamente hacia la bomba. Si el aceite se agrega demasiado rápido, se rebalsará y parecerá que está llena.

▲PRECAUCIÓN: *Riesgo de operación insegura. Cargar aceite en forma excesiva provocará la falla prematura del compresor. No llene de más.*

6. Vuelva a colocar la varilla para medición del nivel de aceite.



CAMBIO DE ACEITE

NOTA: El aceite de la bomba contiene sustancias reguladas y se debe desechar conforme a las leyes y reglamentaciones locales, estatales y federales.

▲ADVERTENCIA: *Superficies calientes. Riesgo de quemaduras. El posentriador, el cabezal de la bomba y las piezas circundantes están muy calientes, no los toque (vea las Superficies calientes identificadas en la Fig. 2). Espere hasta que el compresor se enfríe antes de realizar el mantenimiento.*

1. Asegúrese de que el interruptor Encendido/Apagado (On/Off) esté en la posición Apagado (OFF).
2. Espere que la unidad se enfríe.
3. Retire el enchufe del compresor de aire del tomacorriente.
4. Drene el tanque de aire.
5. Coloque un recipiente adecuado debajo del tapón de drenaje de la bomba (L).
6. Retire la varilla para medición del nivel de aceite (K) de la carcaza.
7. Retire el tapón de drenaje de aceite (L).
8. Permita que transcurra un tiempo prolongado para que se drene todo el aceite. (Inclinar el compresor hacia el tapón de drenaje ayudará al drenaje).

9. Instale el tapón de drenaje de aceite.

10. Llene la bomba con premium para compresor de aire aceite no detergente, ISO 100/SAE40.

11. Vuelva a colocar la varilla para medición del nivel de aceite.

ACCESORIOS

Los accesorios que se recomiendan para la herramienta están disponibles para la compra en su distribuidor local o en el centro de mantenimiento autorizado. Si necesita ayuda para localizar algún accesorio para su herramienta, comuníquese con AIR-MATE Compressors., 701 East Joppa Road, Baltimore, MD 21286, llame al 1-888-88EMGLO (1-888-883-6456).

▲PRECAUCIÓN: *El uso de accesorios no recomendados para utilizar con esta herramienta puede resultar peligroso. Use solamente accesorios con una capacidad nominal igual o superior a la de la compresor de aire.*

INFORMACIÓN DEL SERVICIO TÉCNICO

Tenga a mano la siguiente información cuando llame al mantenimiento:

Número del modelo _____ Número de serie _____

Fecha y lugar de compra _____

Reparaciones

Para asegurar la SEGURIDAD y la CONFIABILIDAD del producto, las reparaciones, el mantenimiento y los ajustes deben ser realizados por un centro de servicio de fábrica u otro personal de mantenimiento calificado. Utilice siempre piezas de repuesto idénticas.

GLOSARIO

CFM: Pies cúbicos por minuto.

SCFM: pies cúbicos estándar por minuto; unidad de medida de suministro de aire.

PSI: Libras por pulgada cuadrada; una unidad de medida de presión.

kPa (kilopascal): Medición métrica de la presión. 1 kilopascal es equivalente a 1000 pascales.

Certificación de código: Los productos que tienen una o más de las indicaciones siguientes: UL, CUL, ETL, CETL, han sido evaluados por los laboratorios de seguridad independientes certificados de OSHA y cumplen los estándares de seguridad de Underwriters Laboratories cuya aplicación corresponda.

Presión de arranque: Mientras el motor está apagado, la presión del tanque de aire cae cuando utiliza un accesorio. Cuando la presión del tanque baja a determinado nivel el motor volverá a encenderse automáticamente. La presión baja en la cual el motor se vuelve a encender automáticamente se llama **presión** de arranque.

Presión de corte: Cuando se enciende o cuando comienza a funcionar un compresor de aire, comienza a elevarse la presión del aire en el tanque de aire. Se eleva hasta determinada presión antes de que el motor se apague automáticamente, protegiendo a su tanque de aire de una presión de aire mayor a su capacidad. La presión alta en la cual el motor se apaga se llama **presión** de corte.

Circuito de derivación: Es el circuito que lleva electricidad del tablero eléctrico al tomacorriente.

Factor de trabajo: Esta bomba del compresor de aire puede funcionar en forma continua. Sin embargo, para prolongar la vida útil del compresor de aire, se recomienda que se mantenga un promedio entre un 50% y un 75% de factor de trabajo, por lo que la bomba del compresor de aire no debe funcionar más de 30 a 45 minutos en una hora dada.

Guía de detección de problemas

Esta sección proporciona una lista de las fallas que se presentan con mayor frecuencia, sus causas y las medidas correctivas correspondientes. El operador o el personal de mantenimiento pueden llevar a cabo algunas de estas acciones correctivas, pero es posible que otras necesiten la asistencia de un técnico calificado o de su distribuidor.

Problema	Código
Presión excesiva en el tanque de aire: la válvula de seguridad salta	1,2
Pérdidas de aire	3
Pérdidas de aire en el tanque de aire o en las soldaduras del tanque de aire	4
Pérdidas de aire entre el cabezal y la placa de la válvula	5
Pérdidas de aire de la válvula de seguridad	6
Ruido de golpeteo.....	6,16,17
La lectura de la presión en el manómetro regulado cae cuando se usa un accesorio.....	7
El compresor no suministra suficiente aire para operar los accesorios	8,9,10,11,12,15
La perilla del regulador tiene una pérdida constante de aire	13
El regulador no cierra la salida de aire	13
Humidité présente dans le carter de la pompe	14,18
El motor no funciona.....	11,19,20,21,22,23,24,25,26

Códigos de detección de problemas

CÓDIGO	CAUSA POSIBLE	SOLUCIÓN POSIBLE
1	El interruptor de presión no apaga el motor cuando el compresor alcanza la presión de corte.	Ubique el interruptor Encendido/Apagado en la posición Apagado (OFF), si la unidad no se apaga comuníquese con un centro de servicio de fábrica.
2	El valor de “corte” del interruptor de presión es demasiado alto	Comuníquese con un centro de servicio de fábrica.
3	Las conexiones de los tubos no están bien ajustadas	Ajuste las conexiones en los lugares donde sienta escapes de aire. Controle las conexiones con una solución de agua jabonosa. No ajuste demasiado.

Español

CÓDIGO	CAUSA POSIBLE	SOLUCIÓN POSIBLE
4	Tanque de aire defectuoso	Se debe reemplazar el tanque de aire. No repare la pérdida. ▲ADVERTENCIA: <i>Riesgo de explosión. No perfore, suelde ni modifique el tanque de aire o el mismo se debilitará. El tanque de aire se puede romper o explotar.</i>
5	Sellos de pérdidas	Comuníquese con un centro de servicio de fábrica.
6	Válvula de seguridad defectuosa	Opere la válvula de seguridad manualmente tirando del anillo. Si la válvula aún pierde, debe ser reemplazada.
7	El regulador no está correctamente ajustado para el uso de un accesorio	Es normal que se presente alguna caída de presión cuando se usa un accesorio, ajuste el regulador como se indica en Regulador en la sección <i>Características</i> si la caída es excesiva. NOTA: Ajuste la presión regulada bajo condiciones de flujo mientras se usa el accesorio.
8	Uso excesivo y prolongado de aire	Disminuya el uso de aire.
9	El compresor no es lo suficientemente grande para el accesorio	Controle los requisitos de aire del accesorio. Si es mayor que el flujo de aire o la presión provista por su compresor de aire, necesita un compresor más grande para operar el accesorio.
10	Agujero en la manguera de aire	Reemplace la manguera de aire.
11	Válvula de control restringida	Retire, limpie o reemplace.
12	Pérdidas de aire	Ajuste las conexiones.
13	El regulador está dañado	Reemplácelo
14	L'appareil fonctionne dans des conditions humides ou fraîches	Déplacer l'appareil dans un endroit sec bien aéré.
15	Filtre d'admission d'air obstrué	Nettoyer ou remplacer le filtre d'admission d'air.

CÓDIGO	CAUSA POSIBLE	SOLUCIÓN POSIBLE
16	El nivel de aceite de la bomba es bajo	Agregue premium para compresor de aire aceite no detergente, ISO 100/SAE40 a la bomba. Consulte Aceite de la bomba del compresor en la sección <i>Mantenimiento</i> .
17	Acumulación de carbono en la bomba	Comuníquese con un centro de servicio de fábrica.
18	Aceite tipo detergente utilizado en la bomba	Drene el aceite y vuelva a llenar la bomba con premium para compresor de aire aceite no detergente, ISO 100/SAE40.
19	Se activó el interruptor de sobrecarga del motor	Consulte Sobrecarga del motor en la sección <i>Características</i> .
20	El cable prolongador es de longitud o calibre incorrectos	Verifique el calibre del conductor y la longitud del cable adecuados. Consulte Cables prolongadores en la sección <i>Instalación</i> .
21	Conexiones eléctricas flojas	Comuníquese con un centro de servicio de fábrica.
22	Posible motor o capacitor de arranque defectuosos	Comuníquese con un centro de servicio de fábrica.
23	Piezas internas del motor salpicadas con pintura	Comuníquese con un centro de servicio de fábrica. No opere el compresor en la zona salpicada con pintura. Consulte la advertencia sobre vapor inflamable.

CÓDIGO	CAUSA POSIBLE	SOLUCIÓN POSIBLE
24	Fusible quemado, interruptor automático activado	<ol style="list-style-type: none">1. Controle si hay algún fusible quemado en la caja de fusibles y reemplácelo de ser necesario. Reinicie el interruptor automático. No utilice un fusible o un interruptor automático de valor mayor al especificado para su circuito de derivación en particular.2. Verifique si el fusible es correcto. Utilice solamente un fusible de acción retardada.3. Verifique si hay bajo voltaje y/o si el cable prolongador es el adecuado.4. Desconecte los otros artefactos eléctricos del circuito u opere el compresor sobre su propio circuito de derivación.
25	La presión del tanque excede la presión de arranque del interruptor de presión	El motor arrancará en forma automática cuando la presión del tanque descienda por debajo de la presión de arranque del interruptor de presión.
26	La válvula de liberación de presión del interruptor de presión no descargó la presión principal	Coloque el interruptor Encendido/Apagado (On/Off) en Apagado (OFF). Si la válvula no se abre, reemplace el interruptor. Comuníquese con un centro de servicio de fábrica.



AIR-MATE Compressors, 701 East Joppa Road, Baltimore, MD 21286
(SEP06) Form No. 645154-00 AM782HC4V Air Compressor Copyright © 2003, 2005, 2006 DEWALT