

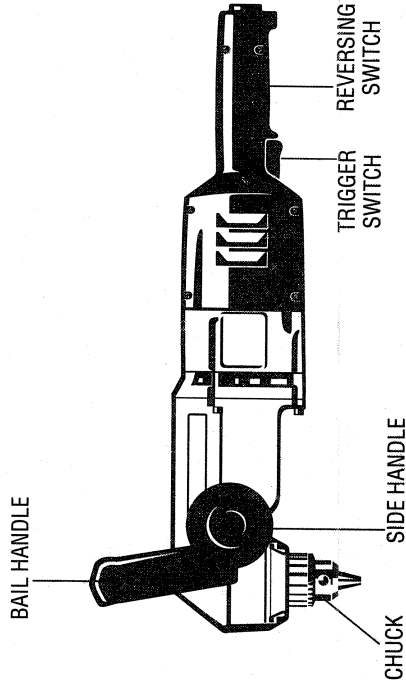
Instruction Manual

1350 1/2" (13mm) Right Angle Drill

Getting the most out of your tool.

Please take time to read this manual and pay particular attention to the safety rules we've provided for your protection. If you have any questions about your tool please call:

1-800-9-BD TOOL
(1-800-923-8665)



1350 1/2" Right Angle Drill (300/1200 RPM)

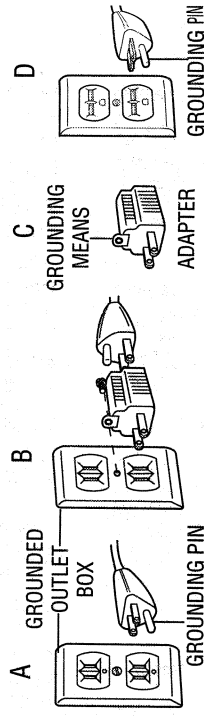
IMPORTANT SAFETY INSTRUCTIONS

WARNING: When using electric tools, basic safety precautions should always be followed to reduce risk of fire, electric shock, and personal injury, including the following:

READ ALL INSTRUCTIONS

Grounding Instructions

This tool should be grounded while in use to protect the operator from electric shock. The tool is equipped with a 3-conductor cord and 3-prong grounding type plug to fit the proper grounding type receptacle. The green (or green and yellow) conductor in the cord is the grounding wire. Never connect the green (or green and yellow) wire to a live terminal. If your unit is intended for use on less than 150 V, it has a plug that looks like that shown in sketch A. If it is for use on 150 to 250 V, it has a plug that looks like that shown in sketch B. An adapter, sketches B and C, is available for connecting sketch A type plugs to 2-prong receptacles. The green-colored rigid ear, lug, or the like, extending from the adapter must be connected to a permanent ground, such as a properly grounded outlet box. No adapter is available for a plug as shown in sketch D. ADAPTER SHOWN IN FIGURES B and C IS NOT FOR USE IN CANADA. Use only 3-wire extension cords that have 3-prong grounding-type plugs and 3-pole receptacles that accept the tool's plug. Replace or repair damaged cords.



Safety Instructions For All Tools

- **KEEP WORK AREA CLEAN.** Cluttered areas and benches invite injuries.
- **CONSIDER WORK AREA ENVIRONMENT.** Don't expose power tools to rain. Don't use power tools in damp or wet locations. Keep work area well lit. Do not use tool in presence of flammable liquids or gases.
- **GUARD AGAINST ELECTRIC SHOCK.** Prevent body contact with grounded surfaces. For example; pipes, radiators, ranges, and refrigerator enclosures.
- **KEEP CHILDREN AWAY.** Do not let visitors contact tool or extension cord. All visitors should be kept away from work area.
- **STORE IDLE TOOLS.** When not in use, tools should be stored in dry, and high or locked-up place — out of reach of children.
- **DON'T FORCE TOOL.** It will do the job better and safer at the rate for which it was intended.
- **USE RIGHT TOOL.** Don't force small tool or attachment to do the job of a heavy-duty tool. Don't use tool for purpose not intended.
- **DRESS PROPERLY.** Do not wear loose clothing or jewelry. They can be caught in moving parts. Rubber gloves and non-skid footwear are recommended when working outdoors. Wear protective hair covering to contain long hair.
- **USE SAFETY GLASSES.** Also use face or dust mask if operation is dusty.
- **DON'T ABUSE CORD.** Never carry tool by cord or yank it to disconnect from receptacle. Keep cord from heat, oil, and sharp edges.
- **SECURE WORK.** Use clamps or a vise to hold work. It's safer than using your hand and it frees both hands to operate tool.
- **DON'T OVERREACH.** Keep proper footing and balance at all times.
- **MAINTAIN TOOLS WITH CARE.** Keep tools sharp and clean for better and safer performance. Follow instructions for lubricating and changing accessories. Inspect tool cords periodically and if damaged, have repaired by authorized service facility. Inspect extension cords periodically and replace if damaged. Keep handles dry, clean, and free from oil and grease.
- **DISCONNECT OR LOCK OFF TOOLS** when not in use, before servicing, and when changing accessories, such as blades, bits, cutters.
- **REMOVE ADJUSTING KEYS AND WRENCHES.** Form habit of checking to see that keys and adjusting wrenches are removed from tool before turning it on.

- **AVOID UNINTENTIONAL STARTING.** Don't carry tool with finger on switch. Be sure switch is off when plugging in.
- **EXTENSION CORDS.** Make sure your extension cord is in good condition. When using an extension cord, be sure to use one heavy enough to carry the current your product will draw. An undersized cord will cause a drop in line voltage resulting in loss of power and overheating. The following table shows the correct size to use depending on cord length and nameplate ampere rating. If in doubt, use the next heavier gage. The smaller the gage number, the heavier the cord.

Minimum Gage for Cord Sets

Volts	Total Length of Cord in Feet		
	0-25	26-50	51-100
120V	0-50	51-100	101-150
240V	0-50	51-100	101-200
201-300			
Amperes Rating			
More Than	Not more Than	AWG	
0	6	18	16
6	10	18	16
10	12	16	14
12	16	14	Not Recommended

- **OUTDOOR USE EXTENSION CORDS.** When tool is used outdoors, use only extension cords intended for use outdoors and so marked.
- **STAY ALERT.** Watch what you are doing. Use common sense. Do not operate tool when you are tired.
- **CHECK DAMAGED PARTS.** Before further use of the tool, a guard or other part that is damaged should be carefully checked to determine that it will operate properly and perform its intended function. Check for alignment of moving parts, binding of moving parts, breakage of parts, mounting, and any other conditions that may affect its operation. A guard or other part that is damaged should be properly repaired or replaced by an authorized service center unless otherwise indicated elsewhere in this instruction manual. Have defective switches replaced by authorized service center. Do not use tool if switch does not turn it on and off.
- **CAUTION:** When drilling or driving into walls, floors or wherever live electrical wires may be encountered, DO NOT TOUCH ANY METAL PARTS OF THE TOOL! Hold the tool only by insulated grasping surfaces to prevent electric shock if you drill or drive into a live wire.

SAVE THESE INSTRUCTIONS

Motor

Your B&D tool is powered by a B&D built motor. Be sure your power supply agrees with the nameplate marking. Voltage decrease of more than 10% will cause loss of power and overheating. All B&D tools are factory tested; if this tool does not operate, check the power supply.

Torque

Torque is the twisting action which the drill imparts to the bit. As the drill bit meets resistance in the material being drilled, the motor responds by adjusting the output torque to meet the requirement up to the maximum capacity of the motor and gear system.

At any value of drilling torque, there is a reaction force on the drill which the operator restrains.

The operator is grasping the switch handle near the point of cord entry and the side handle which is screwed into the gear case. The gripping surfaces of these two handles are at significant distances from the drill bit thereby giving the operator ample control over the tool.

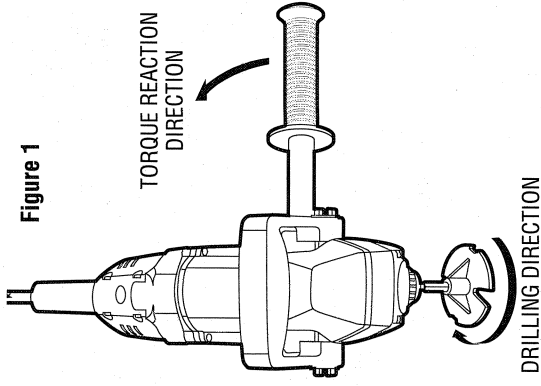
In addition to the optimized handle design, the drill contains a slip clutch in the low speed range which softens the mechanical shock imparted to the operator when the large diameter cutters bite into the work.

Assembling Side Handle

Two threaded bosses as shown in Figure 2 are for installation of the side handle. Install side handle as shown on desired side and tighten securely by hand. Use of the side handle is recommended when drilling at the low speed setting. The side handle should always be used and is especially important when drilling in the low speed setting.

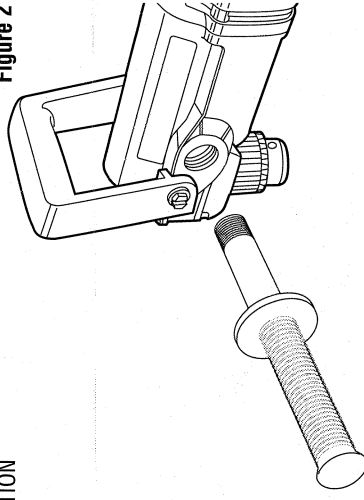
2

Figure 1



DRILLING DIRECTION

Figure 2



Assembling Bail Handle

A bail handle is provided for carrying the tool and for use as a hand hold when drilling where space limitations prevent the use of the side handle. Assemble the bail handle in either of the positions shown in Figures 3A and 3B.

When changing the location of the bail handle from one position to the other, it is necessary to remove completely the two bolts securing it. These bolts can be loosened or tightened with a quarter or other suitable coin as shown in Figure 4. Turn the handle around (1/2 turn) and reinstall as desired. Always operate this tool with the bail handle installed.

Switches

Depressing the trigger switch turns the tool "ON," releasing the trigger switch turns the tool "OFF." There is a slide switch built into the handle directly behind the trigger switch for operating in reverse. For drilling, this switch is put in the "F" position and for reversing operations, it is pushed to the "R" position.

NOTE: The switch provided is a common part for use on several other tools. Ignore the "HI/LO" markings for this drill. A built-in mechanical interlock prevents operation of the slide switch unless the trigger is released. Avoid reversing the drill's direction while it is still coasting to a stop.

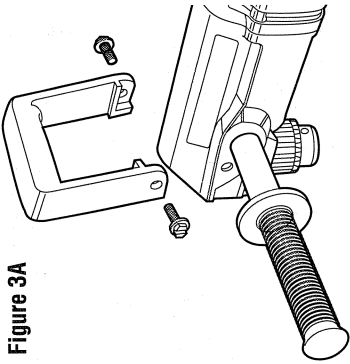


Figure 3A

Figure 3B

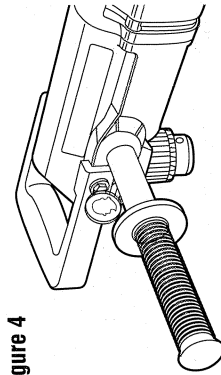
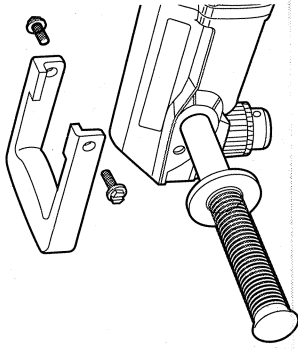


Figure 4

Shifting to the Desired Speed

To select high speed (1200 RPM) pull up on the speed selector and slide it to the position shown in Figure 5. Make sure that when you release the selector, it snaps down into the detent in the housing. To select low speed (300 RPM) pull up on the speed selector and slide it to the position shown in Figure 6. Make sure that when you release the selector, it snaps down into the detent in the housing.

NOTE: It may be necessary to rotate the chuck slightly by hand when shifting speeds. Never change speeds when the drill is running or coasting.

Figure 5

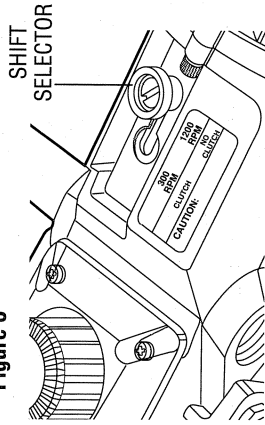
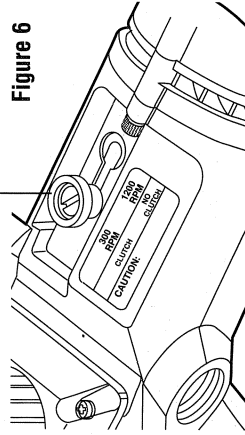


Figure 6



Operation

CAUTION: Always unplug the tool when attaching or changing bits or accessories.

1. Open the chuck jaws by turning collar with fingers and insert bit fully into the chuck. Tighten chuck collar by hand. Place chuck key in each of the three holes, and tighten in clockwise direction. It's important to tighten chuck with all three holes. To release bit, turn chuck key counter clockwise in just one hole, then loosen chuck by hand.
2. Use sharp drill bits only. For WOOD, use twist drill bits, spade bits, power auger bits, or hole saws. For METAL, use high-speed steel twist drill bits or hole saws. For MASONRY, such as brick, cement, cinder block etc., use carbide-tipped bits.
3. Be sure the material to be drilled is anchored or clamped firmly. If drilling thin material, use a wood "back-up" block to prevent damage to the material.
4. Always apply pressure in a straight line with the bit. Use enough pressure to keep drill biting, but do not push hard enough to stall the motor or deflect the bit.
5. Hold drill firmly to control the twisting action of the drill. Use side handle. **CAUTION:** Drill may stall if overloaded causing a sudden twist. Always expect the stall. Grip the drill firmly to control the twisting action and avoid injury.
6. IF DRILL STALLS, it is usually because it is being overloaded or improperly used. RELEASE TRIGGER IMMEDIATELY, remove drill bit from work, and determine cause of stalling. DO NOT CLICK TRIGGER OFF AND ON IN AN ATTEMPT TO START A STALLED DRILL — THIS CAN DAMAGE THE DRILL.
7. To minimize stalling on breaking through the material, reduce pressure on drill and ease the bit through the last fractional part of the hole.

8. Keep the motor running when pulling the bit back out of a drilled hole. This will help prevent jamming.
9. A ratcheting sound heard while using the tool in low speed indicates that the clutch is disengaging due to a high load. Continuous use of the tool with the clutch ratcheting is not recommended.

DRILLING IN METAL

Use a cutting lubricant when drilling metals. The exceptions are cast iron and brass which should be drilled dry. The cutting lubricants that work best are sulphurized cutting oil or lard oil; bacon grease will also serve the purpose.

DRILLING IN WOOD

Holes in wood can be made with the same twist drills used for metal. These bits may overheat unless pulled out frequently to clear chips from the flutes. For larger holes, use Power Drill Wood Bits. Work that is apt to splinter should be backed up with a block of wood. When using Self Feed bits, no pressure is required as these bits will pull themselves into the wood.

NOTE: If the clutch slips while using a self feed bit, rock the drill slightly by pushing the switch handle toward the material being drilled and then pulling it back toward you several times.

Chuck Key Holder

1. Push double-hole end of holder through the slot in other end of holder (Figure 7.)
2. Slip loop over electric plug and draw loop tight around cord (Figure 8.)
3. Push ends of chuck key handle through 2 holes in end of holder (Figure 9.)

Figure 7

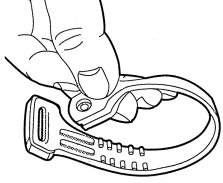


Figure 8

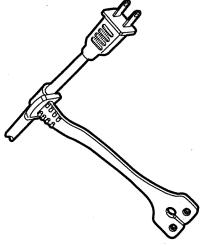


Figure 9



Cleaning

With the tool motor running, blow dirt and dust out of all air vents with dry air at least once a week.

Lubrication

Your tool was properly lubricated before leaving the factory. In from two to six months, depending upon use, take or send your tool to a Black & Decker (U.S.) Inc. Industrial Service Center or other qualified service organization for a complete cleaning, inspection and relubrication.

Tools used constantly on production or heavy duty jobs or exposed to heat may require more frequent lubrication. Tools "out of service" for long periods should be relubricated before being put back into service.

IMPORTANT!

To assure product safety and reliability, particularly for double insulated tools, repairs, maintenance and adjustment (excluding maintenance described in this manual) should be performed by B&D service centers or authorized service centers, using identical B&D replacement parts.

Accessories

Recommended accessories for use with your tool are available at extra cost from your distributor or local service center.

CAUTION: The use of any non-recommended accessory may be hazardous.

If you need assistance in locating any accessory call **1-800-9-BD TOOL:** (1-800-923-8665) or contact Black & Decker (U.S.) Inc., Consumer Services Department, 626 Hanover Pike, P.O. Box 618, Hampstead, MD 21074.

Every B&D tool is of the highest quality.
If you wish to contact us regarding this product, please call toll free between 8:00am and 8:00pm ET, seven days a week:

1-800-9-BD TOOL
(1-800-923-8665)

One Year Free Maintenance

All B&D tools for Industry and Construction are covered under a one year free maintenance program where B&D will inspect your tool for safety and provide necessary maintenance or repairs, including normal wear and tear parts, for one year, FREE OF CHARGE.

Full Warranty

All B&D tools for Industry and Construction are warranted to be free of any defects in materials or workmanship. Upon thorough examination of tool, B&D will repair or replace, at our option, any product that is determined to be defective.

Conditions

The service/safety check and the warranty do not apply to: repairs made or attempted by anyone other than an authorized B&D service location; misuse, abuse, neglect, improper application of the tool; missing parts; or normal wear and tear (after first year of ownership). Please return the complete unit, transportation prepaid, to any B&D factory owned or B&D authorized service center location (list provided with tool or see Yellow Pages under "Tools Electric").

MAXIMUM RECOMMENDED CAPACITIES			
	CLUTCH OPERATIVE	LOW SPEED	HIGH SPEED
R.P.M.		300	1200
BITS, METAL DRILLING	NO		1/2"
WOOD, FLAT BORING	NO		1-1/2"
HOLE SAWS	YES	4"	
DOUBLE TWIST BITS	NO		1-1/4"
SHIP AUGER	NO		1-1/2"
SELF-FEED BITS	YES - LOW SPEED	4-5/8"	2-9/16"

NOTE: For holes in metal larger than 1/2" use hole saws.

YOUR POWER TOOLS MAY BE SERVICED AT THE FOLLOWING B&D SERVICE CENTERS.

ALABAMA: Birmingham 95209, 2412 Green Springs Hwy. 205-942-0538 Mobile 36608, 3831 Airport Blvd. 205-343-6624	ALASKA: Anchorage 99518, 910 West International Airport Rd. 907-563-6664	ARIZONA: Mesa 85202, 535 S. Dobson, Suite 7, 602-461-1074 Phoenix 85013, 4501 N. 7th Avenue Tucson 85712, 4845 E. Speedway Blvd.	ARKANSAS: Little Rock 72201, 519 W. Seventh St. 501-372-3040	CALIFORNIA: Anaheim 92806, 540 South State College Blvd. 714-772-4950 Chula Vista 91910, 309 Broadway Blvd. 602-279-6414 Folsom 95630, 10000 Highway 49, #C2 Fremont 94538, 17112 North Blackstone Ave. 510-662-4880 Ft. Collins 97110, 5412 North Blackstone Ave. 209-435-0810 Long Beach 90805, 2011 South St. 310-422-5625 Los Angeles 90040, 4820 South Eastern Ave., Suite "L" 213-720-1834 Riverside 92506, 6215 Magnolia Ave., Suite "B" 909-787-9700 Sacramento 95825, 2033 Fulton Ave. 916-972-9090 San Diego 92123, 9270 Claremont Mesa Blvd. 619-278-2011 San Jose 95128, 1185 So. Bascom Ave. 415-275-1830 San Leandro 94678, 1709 E. 14th St. 510-275-1616 COLORADO: Denver 80219, 14220 Victory Blvd. 818-787-5531 Denver 80219, 1171 S. Federal Blvd. 303-922-8325	CONNECTICUT: Orange 06477, 481 Boston Post Rd. 203-795-3563 Wethersfield (Hartford) 06109, 662 Silas Dean Hwy. 203-563-5800	DISTRICT OF COLUMBIA: Washington Colmar Manor 20722, 4153 Bladensburg Rd. 301-779-3808 Falls Church, VA 22046, 344 W. Broad St. 703-533-7313	FLORIDA: Ft. Lauderdale 33334, 798 E. Oakland Pk. Blvd. 305-566-5102 Ft. Myers 33907, 5224 Bank Street 813-278-1188 Jacksonville 32205, 924 Cassatt Ave. 904-241-6653 Miami (North) 33156, 12233 So. Dixie Hwy. 305-581-8659 Miami (South) 33156, 12233 So. Dixie Hwy. 305-232-9497 Orlando 32803, 3807 E. Colonial Dr. 407-894-7011 St. Petersburg 33709, 5635 48th St., N. 813-525-0273 Tampa 33609, 3432 W. Kennedy Blvd. 813-872-8317 West Palm Beach 33415, 310 South Military Trail 407-689-3247	GEORGIA: Atlanta (South) 30349, 5330 Old National Hwy. 404-762-8844 Smyrna 30080, 2550 Cobb Pkwy. 404-956-0869 Stone Mountain (Atlanta) 30086, 5723 Memorial Dr. 404-236-4714	HAWAII: Honolulu 96819, 330 Sand Island Access Road. 808-847-7447	ILLINOIS: Des Plaines (Chicago) 60018, 1277 South Elmhurst Rd. 708-364-5220 Lincolnwood (Chicago) 60466, 6710 N. Crawford Ave. 708-673-0923 Lisle (West Chicago) 60532, 2950 Ogden Ave., Unit H. 708-717-1075 Moline 61285, 4433 23rd Ave. 309-762-3000 Oak Lawn (Chicago) 60453, 6343 W. 95th St. 708-423-7212 Waukegan 60085, 39 S. Greenbay Rd. 708-249-4390	INDIANA: Evansville 47710, 307 First Ave., Crescent Cir. 812-425-4269 Hammond 46323, 7103 Kennedy Ave. 317-515-5100 Indianapolis 46224, 5999 Clawfordsville Rd. 317-245-8308	IOWA: Des Moines 50310, 3427 Merle Hay Rd. 515-270-1340	KANSAS: Wichita 67213, 155 S. West St. 316-943-1271	KENTUCKY: Louisville 40213, 5211 Preston Hwy. 502-968-7100	LOUISIANA: Baton Rouge 70815, 11859 Florida Blvd. 504-272-8111 Harvey 70056, 2500 Lapalco Blvd. 504-366-8676 Metairie (New Orleans) 70002, 3504 N. Causeway Blvd. 504-887-2550 Shreveport 71108, 7710-7714 Jewella Rd. 318-688-1555	MARYLAND: Baltimore (East) 21205, 4712 Edman Ave. 410-485-5550 Baltimore (West) 21201, 26-31 Cranbrook Rd., Cockeysville 410-666-5966 Baltimore (South) 21122, 8220 Ritchie Hwy., Pasadena 410-647-8456 Colmar Manor 20722, 4153 Bladensburg Rd. 301-779-3808	MASSACHUSETTS: Brighton (Boston) 02135, 12 Market St. 617-782-6264 Salem 01970, 120 Highland Ave. 508-336-6510 Seykonk 02771, 120 Highland Ave. 508-336-6510	MICHIGAN: Grand Rapids 49512, 3040 28th St., S.E. 616-949-8331 Lansing 48917, 3203 W. Saginaw Hwy. 517-253-4181 Warren 48093, 27003 Van Dyke Blvd. 313-427-1520 Westland (Detroit) 48165, 6067 North Wayne Rd. 313-427-1520	MINNESOTA: Minneapolis (Mnneapolis-St. Paul) 55420, 9517 Lyndale Ave., S. 612-884-9191	MISSOURI: Kansas City 64111, 4324 Main St. 816-531-0629 St. Ann (North St. Louis) 63074, 3637 North Lindbergh Blvd. 314-739-4661 St. Louis 63131, 12852 Manchester Rd. 314-821-8740	NEBRASKA: Omaha 68127, 4225 S. 84th St. 402-592-5666	NEVADA: Las Vegas 89104, 3411 East Charleston Blvd. 702-641-6555	NEW JERSEY: Cherry Hill 08034, 1444 E. Marlton Pike/Rte. 70 609-429-2822 Little Falls 07424, 1189 U.S. Highway 46. 201-256-9373 Union (Scotts Plains) 07076, 2520 Route #22 East 908-233-5665	NEW MEXICO: Albuquerque 87110, 3617 Menaul Blvd., N.E. 505-884-1002 Albuquerque 88110, 3617 Menaul Blvd., N.E. 505-884-1002 Carrollton 88110, 3617 Menaul Blvd., N.E. 505-884-1002 Corona 88110, 3617 Menaul Blvd., N.E. 505-884-1002 Cortez 81120, 2061-63 Middle Country Rd. 516-737-4706 Elmhurst (New York) 11273, 77-20 Queens Blvd. 718-335-1042 Latham (Albany) 12110, 836 Troy-Schenectady Rd. 518-785-1867 Manhattan (New York) 10010, 50 West 23rd St. 212-929-6450 Rochester 14623, 2969 W. Henrietta Rd. 716-424-1310 Syracuse 13214, 3485 Erie Blvd., East 315-446-3068 Westbury 11791, 11580, 1061 Old Country Rd. 516-897-6140	NORTH CAROLINA: Charlotte 28227, 3075 E. Highgate Pk. 704-374-1779 Charlotte 28227, 3075 E. Highgate Pk. 704-374-1779 Raleigh 27604, 2930 Capital Blvd. 919-852-1300 Raleigh 27604, 2930 Capital Blvd. 919-878-0357	OHIO: Cincinnati 45241, 2310 E. Sharon Rd. 513-772-3111 Cincinnati 45241, 2310 E. Sharon Rd. 513-772-3111 Charlotte 43227, 3975 E. Livingston Ave. 614-237-0461 Dayton 45409, 2888 S. Dixie Dr. 513-298-1951 Mayfield Heights (East Cleveland) 44124, 5881 Mayfield Rd. 216-449-2770	OKLAHOMA: Oklahoma City 73106, 1318 Linwood Blvd. 405-232-7515 Tulsa 74145, 3120 S. Sheridan Rd. 918-622-5866	OREGON: Portland 97209, 1640 N.W. Johnson St. 503-228-8631	PENNSYLVANIA: Erie City 16503, 20908 Rt. 19 North 412-776-9600 Erie City 16503, 20908 Rt. 19 North 412-776-9600 Lancaster 17601, 118 Keller Ave. 717-393-5251 Philadelphia 19103, 3333 N. 20th St. 215-664-5620 Philadelphia (North) 19115, 3977-81 Bustleton Ave. 215-462-7111 Pittsburgh 15222, 5437 Baum Blvd. 412-362-2700 Whitehall (Allentown) 18052, 2242 MacArthur Rd. 610-438-9544 Wilkes-Barre 18702, 759 Kidder Street 717-824-5704	PUERTO RICO: Pueblo Nuevo San Juan	RHODE ISLAND: See Seekonk, MA	SOUTH CAROLINA: Spartanburg 29307, 1557 Laurens Rd. 803-232-3038	TENNESSEE: Chattanooga 37421, 6231 Perimeter Drive, Space E. 615-894-5957 Knoxville 37917, 4118 N. Broadway. 615-686-0921 Memphis 38116, 1085 East Brooks Rd. 901-332-3444 Nashville 37211, 4811 Nolensville Rd. 615-833-8277	TEXAS: Amarillo 79106, 3008 West 6th Ave. 806-373-1531 Austin 78757, 6549 Burnet Rd. 512-458-1453 Dallas 75229, 2257 Royal Ln., East 972-778-9769 El Paso 79913, 6573 Gateway, East St. 915-778-9769 El Paso 79913, 6573 Gateway, East St. 915-778-9769 Garland 75043, 718 W. Centerville Rd. 817-831-9828 Houston 77022, 536 E. Tidwell Rd. 713-682-7111 Houston (S.W.) 77025, 9319 Stella Link Blvd. 713-664-3666 San Antonio 78201, 500 Culebra Ave. 210-732-1221 Webster 77598, 100 East Nasa Rd. One 713-338-4556	UTAH: Salt Lake City 84115, 1541 S. Third West St. 801-486-5628	VIRGINIA: Falls Church 22046, 344 W. Broad St. 703-533-7313 Hampton 23665, 111 W. 1st St. 804-826-9382 Richmond 23222, 1424 Chamberlayne Ave. 804-480-9343 Richmond 23222, 1424 Chamberlayne Ave. 804-649-9245	WASHINGTON: Seattle 98108, 421 S. Michigan St. 206-763-2010 Spokane 99208, N. 7011 Division St. 509-467-8190 Tacoma 98409, 2602 S. 38th St. 206-473-6040	WEST VIRGINIA: Charleston 25312, 1638 Sixth Ave. 304-343-0289	WISCONSIN: Milwaukee (Wauwatosa) 53226, 10424 West Bluemound Rd. 414-453-4240
--	---	--	---	---	--	---	---	--	--	--	---	--	--	---	--	--	---	--	---	--	---	---	--	--	--	---	--	---	---	---	---	---	--	---	--	---	---	--	--

OHIO (CONT'D)

OHIO (CONT'D)

OHIO (CONT'D)

OHIO (CONT'D)

**YOUR POWER TOOLS MAY BE SERVICED AT THE FOLLOWING
B&D SERVICE DEPOTS.**

ALBERTA
Edmonton T5M1V1, 11440 142nd St. 403-453-2373

BRITISH COLUMBIA
Vancouver V5M3Y7, 1735 Bounrdy Rd 604-291-9942

MANITOBA
Winnipeg R3H0K3, 934 St. James St. 204-783-7294

NOVA SCOTIA
Halifax B3K2A4, 6100 Young St. 902-453-5090

ONTARIO
Brockville K6V5W6, 100 Central Ave. 613-342-6641
London N6E3A9, 981 Wellington Rd #6 519-649-2407
Mississauga L4X1L3, 1480 Dundas St.E#6 905-277-0011
North York M3J3H1, 48 Kodiak Cros. 416-635-6740

QUÉBEC
Montréal H1Y1B4, 3061 Bélanger 514-722-1021

**FOR ADDITIONAL SERVICE LOCATIONS
CALL: 1-800-9- BD TOOL**

Black & Decker (U.S.) Inc. • 701 East Joppa Road, Towson, Maryland 21286
Printed in U.S.A. (MAY95-CD-2) Form No. 159431-01 Copyright © 1994