



**MPF980381, MPF980501,
MPF990381, MPF990501C,
MPF990501, MPF992501**
Instruction Manual



WARNING

To reduce the risk of injury, read and understand these safety warnings and instructions before using the tool. Keep these instructions with the tool for future reference. If you have any questions, contact your **MAC TOOLS** representative or distributor.

© 2018 Mac Tools

**3/8" Air Impact Wrench | 1/2" Air Impact Wrench | High Performance 3/8" Air Impact Wrench
High Performance 1/2" Air Impact Wrench | High Performance 1/2" Compact Air Impact Wrench
High Performance 1/2" Air Impact Wrench 2" Extended Anvil**

TABLE OF CONTENTS

Introduction	2
Safety Instructions	2 - 8
Maintenance	9 - 10
Specifications	11
Tool Components	12 - 19
Contact Information	21

INTRODUCTION

The **Mac Tools MPF980381, MPF980501, MPF990381, MPF990501C, MPF990501 and MPF992501 Impact Wrenches** are precision-built tools, designed for driving, tightening and loosening threaded fasteners, usually nuts and bolts, when fitted with a suitable impact socket. These tools will deliver efficient, dependable service when used correctly and with care. As with any fine power tool, for best performance the manufacturer's instructions must be followed. Please study this manual before operating the tool and understand the safety warnings and instructions. The instructions on installation, operation and maintenance should be read carefully, and the manual kept for reference. NOTE: Additional safety measures may be required because of your particular application of the tool. Contact your **Mac Tools** representative or distributor with any questions concerning the tool and its use.

MACTOOLS.COM | Mac Tools • 505 North Cleveland Avenue • Westerville, Ohio 43082 | 800.MACTOOLS

Mac Tools-Europe, Stanley Black & Decker Inc. • Unit 3, Europa Court
Sheffield Business Park • Sheffield, S9 1XE | 0114 2917266

Definitions: Safety Alert Symbols and Words

This instruction manual uses the following safety alert symbols and words to alert you to hazardous situations and your risk of personal injury or property damage.

▲ DANGER: Indicates an imminently hazardous situation which, if not avoided, **will** result in **death or serious injury**.



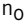
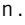









▲ WARNING: Indicates a potentially hazardous situation which, if not avoided, **could** result in **death or serious injury**.

▲ CAUTION: Indicates a potentially hazardous situation which, if not avoided, **may** result in **minor or moderate injury**.

▲ (Used without word) Indicates a safety related message.

NOTICE: Indicates a practice **not related to personal injury** which, if not avoided, **may** result in **property damage**.

The label on your tool may include the following symbols. The symbols and their definitions are as follows:

V	volts		or AC/DC .. alternating or direct current
Hz	hertz	 Class II Construction (double insulated)
min	minutes	 no load speed
— or DC	direct current	 rated speed
	Class I Construction (grounded)	 earthing terminal
.../min	per minute	 safety alert symbol
BPM	beats per minute	 visible radiation
IPM	impacts per minute	 respiratory protection
RPM	revolutions per minute	 eye protection
sfpm	surface feet per minute	 hearing protection
SPM	strokes per minute	 ingress protection
A	amperes	 do not incinerate
W	watts		
~ or AC	alternating current		

WARNING

IMPORTANT SAFETY INFORMATION ENCLOSED.
READ THIS MANUAL BEFORE OPERATING THE TOOL.
SAVE FOR FUTURE REFERENCE

FAILURE TO OBSERVE THE FOLLOWING WARNINGS COULD RESULT IN INJURY.



Do not use damaged, frayed or deteriorated air hoses and fittings.



Air powered tools can vibrate in use. Vibration, repetitive motions or uncomfortable positions may be harmful to your hands and arms. Stop using any tool if discomfort, tingling feeling or pain occurs. Seek medical advice before resuming use.



Do not carry the tool by the hose.



Keep body stance balanced and firm. Do not overreach when operating this tool.



Always turn off the air supply and disconnect the air supply hose before installing, removing or adjusting any accessory on this tool, or before performing any maintenance on this tool.



Use protective equipment such as glasses, gloves, safety shoes, as well as acoustic protection.

Remain vigilant, use common sense and pay attention when using the tool.



Always wear ANSI Z87.1 CAN CSA Z94.3 eye protection or for Europe, suitable CE marked eye protection when operating or performing maintenance on this tool.



Always wear suitable respiratory protection when operating this tool.



Operate at 90 psig (6.2 bar / 620 kPa) Maximum air pressure.



Do not over-oil and do not use heavy grade oil as stalling and low performance may result.

GENERAL SAFETY INSTRUCTIONS

▲ WARNING: Read all safety warnings and all instructions. Failure to follow the warning and instructions may result in electric shock, fire and or serious injury. **SAVE ALL WARNINGS AND INSTRUCTIONS FOR FUTURE REFERENCE**

Wear personal protective equipment. Depending on application, use face shield, safety goggles or safety glasses. As appropriate, wear dust mask, hearing protectors, gloves and workshop apron capable of stopping small abrasive or workpiece fragments.

The eye protection must be capable of stopping flying debris generated by various operations. The dust mask or respirator must be capable of filtrating particles generated by your operation. Prolonged exposure to high intensity noise may cause hearing loss. Everyday eyeglasses are NOT safety glasses. Also use face or dust mask if cutting operation is dusty. ALWAYS WEAR CERTIFIED SAFETY EQUIPMENT:

- ANSI Z87.1 eye protection (CAN/CSA Z94.3)
- ANSI S12.6 (S3.19) hearing protection
- NIOSH/OSHA/MSHA respiratory protection

1) WORK AREA SAFETY

- Keep work area clean and well lit. Cluttered or dark areas invite accidents. Be aware of your surroundings, slippery surfaces caused by the use of this tool and also of trip hazards caused by air lines.
- Do not operate power tools in explosive atmospheres, such as in the presence of flammable liquids, gases or dust. Power tools create sparks which may ignite the dust or fumes.
- Do not use in wet conditions.
- Keep children and bystanders away while operating a power tool. Distractions can cause you to lose control.

2) PERSONAL SAFETY

- Stay alert, watch what you are doing and use common sense when operating a power tool. Do not use a power tool while you are tired or under the influence of drugs, alcohol or medication. A moment of inattention while operating power tools may result in serious personal injury.
- Prevent unintentional starting. Ensure the trigger is in the off position before connecting to air source, picking up or carrying the tool. Carrying power tools with your finger on the switch or energizing power tools that have the switch on invites accidents.
- Exposure to high noise levels can cause permanent, disabling hearing loss and other problems, such as tinnitus (ringing, buzzing, whistling, or humming in the ears). Therefore, a risk assessment and the implementation of appropriate controls for these hazards are essential. Appropriate controls to reduce the risk may include actions such as damping materials to prevent workpieces from ringing.
- Dress properly. Do not wear loose clothing or jewelry. Keep your hair, clothing and gloves away from moving parts. Loose clothes, rubber-coated or metal reinforced gloves, gloves with cut or frayed fingers, jewelry or long hair can be caught in moving parts.
- Keep hands and other body parts, loose clothing and long hair away from the moving end of tool.
- Anticipate and be alert for sudden changes in motion during start up and operation of any power tool.
- Operators and maintenance personnel must be physically able to handle the bulk, mass and power of the tool.
- Keep body stance balanced and firm. Do not overreach when operating this tool.
- Do not operate this tool for long periods of time. Vibration caused by tool action may be harmful to your hands and arms. Hold the tool with a light but safe grip, taking account of the required hand reaction forces. Stop using any tool if discomfort, tingling feeling or pain occurs. Seek medical advice before resuming use.
- This tool is not insulated against electric shock, contact with a live wire will make exposed metal parts live.
- For USA: Some dust created by power sanding, sawing, grinding, drilling, chipping and other construction activities contains chemicals known to the State of California to cause cancer, birth defects or other reproductive harm. Some examples of these chemicals are:
 - lead from lead-based paints,
 - crystalline silica from bricks and cement and other masonry products, and
 - arsenic and chromium from chemically-treated lumber.

Your risk from these exposures varies, depending on how often you do this type of work. To reduce your exposure to these chemicals: work in a well ventilated area, and work with approved safety equipment, such as those dust masks that are specially designed to filter out microscopic particles.

- Due to dust generated while using tool, a risk assessment and the implementation of appropriate controls for these hazards are essential.
- Accessories and tools can get hot during operation. Wear gloves when handling them. Ensure the tool is off when changing accessories.
- Keep bystanders a safe distance away from work area. Anyone entering the work area must wear personal protective equipment. Fragments of workpiece or of a broken accessory may fly away and cause injury beyond immediate area of operation.
- Never direct air at yourself or anyone else, or serious personal injury may result.
- Wear warm clothing whenever working in cold conditions and keep your hands warm and dry.
- Whipping hoses can cause severe injury. Always check for damaged or loose hoses and fittings.
- Avoid prolonged contact with dust from power sanding, sawing, grinding, drilling, chipping and other construction activities. Wear protective clothing and wash exposed areas with soap and water. Allowing

dust to get into your mouth, eyes, or lay on the skin may promote absorption of harmful chemicals.

- Use of this tool can generate and/or disperse dust, which may cause serious and permanent respiratory or other injury. Always use NIOSH/OSHA suitable approved respiratory protection appropriate for the dust exposure and suitable extraction systems. Direct particles away from face and body.
- Store idle power tools out of the reach of children and do not allow persons unfamiliar with the power tool or these instructions to operate the power tool. Power tools are dangerous in the hands of untrained users.
- This product may contain one or more chemicals known to the State of California to cause cancer and birth defects or other reproductive harm. Wash hands thoroughly after handling.
- Do not let children come in contact with this tool. Supervision is required when inexperienced operators use this tool.
- Do not modify this tool. Modifications can reduce the effectiveness of safety measures and increase the risks to the operator.
- Do not discard the safety instructions; give them to the operator.
- Do not use the tool if it has been damaged.
- Be aware that the failure of the workpiece or accessories, or even of the tool itself, can generate high-velocity projectiles.
- This product is not intended for use by persons (including children) suffering from diminished physical, sensory or mental abilities; lack of experience, knowledge or skills unless they are supervised by person responsible for their safety. Children should never be left alone with this product. This tool and its accessories must be used in compliance with these instructions. Using it for any other purpose may cause a risk of danger for people and the environment.
- Only qualified and trained operators should install, adjust or use the tool.
- For overhead work, wear a safety helmet.
- Direct the exhaust so as to minimize disturbance of dust in a dust-filled environment. Do not direct exhaust air towards hands.
- Where dust or fumes are created, the priority shall be to control them at the point of emission.
- All integral features or accessories for the collection, extraction or suppression of airborne dust or fumes should be correctly used and maintained in accordance with the manufacturer's instructions.
- Always operate, inspect and maintain this tool in accordance with American National Standards Institute Safety Code for Portable Air Tools (ANSI B186.1) and any other applicable safety codes and regulations.
- Do not free run tool with socket installed on tool.
- Do not splash or immerse in water or other liquids.
- Do not incinerate even if severely damaged or completely worn out. The battery can explode in a fire. Toxic fumes and materials are created when lithium ion batteries are burned.
- If battery contents come into contact with the skin, immediately wash area with mild soap and water. If battery liquid gets into the eye, rinse water over the open eye for 15 minutes or until irritation ceases. If medical attention is needed, the battery electrolyte is composed of liquid organic carbonates and lithium salts.
- Contents of opened battery may cause respiratory irritation. Provide fresh air. If symptoms persist, seek medical attention.
- Burn hazard. Battery liquid may be flammable if exposed to spark or flame.
- Fire hazard. Never attempt to open the battery pack for any reason. If the battery pack case is cracked or damaged, do not insert into the charger. Do not crush, drop or damage the battery pack. Do not use a battery pack or charger that has received a sharp blow, been dropped, run over or damaged in any way (e.g., pierced with a nail, hit with a hammer, stepped on).
- Please note that changes or modifications not expressly approved by the party responsible for compliance could void the user's authority to operate the equipment.

⚠ WARNING: Never modify the unit or any part of it. Damage or personal injury could result.

⚠ CAUTION: Do not stare into LED light. Serious eye injury could result.

3) ELECTRICAL SAFETY

- Power tool plugs must match the outlet. Never modify the plug in any way. Do not use any adapter plugs with earthed (grounded) power tools. Unmodified plugs and matching outlets will reduce risk of electric shock.

- Do not expose power tools to rain or wet conditions. Water entering a power tool will increase the risk of electric shock.
- Do not abuse the cord. Never use the cord for carrying, pulling or unplugging the power tool. Keep cord away from heat, oil, sharp edges or moving parts. Damaged or entangled cords increase the risk of electric shock.
- If operating a power tool in a damp location is unavoidable, use a ground fault circuit interrupter (GFCI) protected supply. Use of a GFCI reduces the risk of electric shock.
- Recharge only with the charger specified by the manufacturer. A charger that is suitable for one type of battery pack may create a risk of fire when used with another battery pack.
- Under abusive conditions, liquid may be ejected from the battery; avoid contact. If contact accidentally occurs, flush with water. If liquid contacts eyes, additionally seek medical help. Liquid ejected from the battery may cause irritation or burns.

4) ADDITIONAL SPECIFIC SAFETY RULES FOR IMPACT WRENCHES

- Use only impact rated accessory sockets and extensions recommended by Mac Tools. Inspect accessories before use. Do not use cracked or damaged accessories. Do not use chrome sockets, hand sockets or any other accessories not rated for impact use.
- The tool's power is controlled by the pressure exerted on the trigger, firmly grip the tool and squeeze the trigger to operate.
- Do not use sockets with excessive wear to the input or output drives. Periodically check the square drive on the impact wrench. Make sure the socket, extension bar, or other attachment is securely fitted before operating tool.
- When loosening fasteners first ensure that there is sufficient clearance behind the tool to avoid hand entrapment. The tool will move away from the threaded joint as the nut/bolt is loosened and rides up the thread, moving the tool with it. Make sure hands are kept away from the sockets during tool use.
- Securely fit the socket or attachment to the impact wrench. Inspect anvil and retaining ring of tool prior to use. Missing or damaged items should be replaced before use.
- Ensure that the forward/reverse switch is in the correct position for tightening or loosening the fastener.
- The nut/bolt can then run down the thread using the power drive of the tool. For loosening a joint the tool can be used in the reverse sequence.
- Recommended to use a hardened steel (or material with comparable shock resistance) threaded hose fitting (Fig 6).

5) POWER TOOL USE AND CARE

- Before running the tool, check that there is no dangerous interaction with the immediate environment (explosive gas, flammable or dangerous liquid, unknown piping, electric sheathing or cable, etc).
- Before connecting the tool to the air inlet, check the trigger is not blocked in the on position by an obstacle.
- In the event of blockage, release the trigger and disconnect the tool from the compressed air network.
- Ensure that the unit on which work is being carried out is immobilized.
- Always operate, inspect and maintain this tool in accordance with all regulations (local, state, federal and country), that may apply to hand held/hand operated pneumatic tool.
- For safety, top performance, and maximum durability of parts, operate this tool at 90 psig. (6.2 bar / 620 kPa) maximum air pressure at the inlet with 3/8" (10mm) inside diameter air supply hose.
- Always use clean, dry air. Dust, corrosive fumes and/or excessive moisture can ruin the motor of an air tool.
- Exceeding the maximum pressure of 90 psig (6.2 bar / 620 kPa) will lead to the risk of danger such as excessive speed, tool wear, breaking parts, higher torque or force that may destroy the tool and its accessories or the part being worked on.
- Maintain power tools. Check for misalignment or binding of moving parts, breakage of parts and any other condition that may affect the power tool's operation. If damaged, have the power tool repaired before use. Many accidents are caused by poorly maintained power tools.
- Use rated accessories recommended by Mac Tools only. Inspect accessories before use. Do not use cracked or damaged accessories. Just because the accessory can be attached to your power tool, it does not assure safe operation.
- Use the power tool, accessories and tool bits, etc. in accordance with these instructions, taking into account the working conditions and the work to be performed. Use of the power tool for operations different from those intended could result in a hazardous situation.

- Ensure that sparks and debris resulting from use do not create a hazard.
- The pneumatic tool must be fitted and connected to the compressed air network via quick disconnects to facilitate shutdown in the event of danger.
- When the life of the tool has expired, it is recommended that the tool be disassembled, degreased and parts be separated by material so that they can be recycled.
- Always turn off the air supply and disconnect the air supply hose before installing, removing or adjusting any accessory on this tool, or before performing any maintenance on this tool.
- Do not use damaged, frayed or deteriorated air hoses and fittings. Do not abuse hoses or connectors.
- Do not lubricate tools with flammable or volatile liquids such as kerosene, diesel or jet fuel.
- Do not remove any labels. Periodically inspect labels to ensure all marking are still legible. Replace any damaged label.
- Do not use the tool if the trigger does not turn the tool on or off.
- Do not lock, tape or wire the "on/off" trigger in the "on" position, as this trigger must be free to return to the "off" position when released.
- Be sure all hoses and fittings are the correct size and are tightly secured.
- The use of a hose whip is recommended. A coupler connected directly to the air inlet increases tool bulk and decreases tool maneuverability.
- For maximum performance, the coupler on the wall should be the next size larger than the coupler used on the tool. The coupler closest to the tool should not be less than the proper air supply hose size.
- Use clamps or another practical way to secure and support the workpiece to a stable platform. Holding the work by hand or against the body is unstable and can lead to loss of control.
- When not in use, disconnect tool from air supply to prevent accidental or unauthorized use in the absence of the operator.
- Do not alter any part/component/accessory of this tool in any way.
- Mesh air strainer at air inlet occasionally becomes clogged with debris, blocking air supply, and decreasing the tool's performance. If this occurs the mesh air strainer needs to be cleaned.
- Store idle power tools out of the reach of children and do not allow persons unfamiliar with the power tool or these instructions to operate the power tool. Power tools are dangerous in the hands of untrained users.
- Place the tool on the bolt or nut before starting the tool. Do not point or indulge in any horseplay with this tool.
- Do not store or use in locations where the temperature may reach or exceed 104 °F (40°C) (such as outside sheds or metal buildings in summer). For best life store in a cool, dry location.

IMPORTANT SAFETY INSTRUCTIONS FOR ALL BATTERY CHARGERS

SAVE THESE INSTRUCTIONS: *This manual contains important safety and operating instructions for battery chargers.*

- Before using the charger, read all instructions and cautionary markings on the charger, battery pack and product using the battery pack.

⚠WARNING: Shock hazard. Do not allow any liquid to get inside the charger. Electric shock may result.

NOTICE: *Under certain conditions, with the charger plugged into the power supply, the charger can be shorted by foreign material. Foreign materials of a conductive nature, such as, but not limited to, grinding dust, metal chips, steel wool, magnesium foil or any buildup of metallic particles should be kept away from the charger cavities. Always unplug the charger from the power supply when there is no battery pack in the cavity. Unplug the charger before attempting to clean.*

- DO NOT attempt to charge the LED Light Accessory with any chargers other than class 2 chargers. Class 2 chargers and the LED Light Accessory are specifically designed to work together.
- Do not expose the charger to rain or snow.
- Pull by the plug rather than the cord when disconnecting the charger. This will reduce the risk of damage to the electric plug and cord.
- Make sure that the cord is located so that it will not be stepped on, tripped over or otherwise subjected to damage or stress.
- Do not use an extension cord unless it is absolutely necessary. Use of improper extension cord could result in risk of fire, electric shock or electrocution.

- When operating a charger outdoors, always provide a dry location and use an extension cord suitable for outdoor use. Use of a cord suitable for outdoor use reduces the risk of electric shock.
- Do not operate the charger if it has received a sharp blow, been dropped or otherwise damaged in any way. Take it to an authorized service center
- Do not disassemble the charger; take it to an authorized service center when service or repair is required. Incorrect reassembly may result in a risk of electric shock, electrocution or fire.
- Disconnect the charger from the outlet before attempting any cleaning. This will reduce the risk of electric shock. Removing the LED Light Accessory will not reduce this risk.
- NEVER attempt to connect 2 chargers together.
- The charger is designed to operate on standard 120V household electrical power. Do not attempt to use it on any other voltage. This does not apply to the vehicular charger.

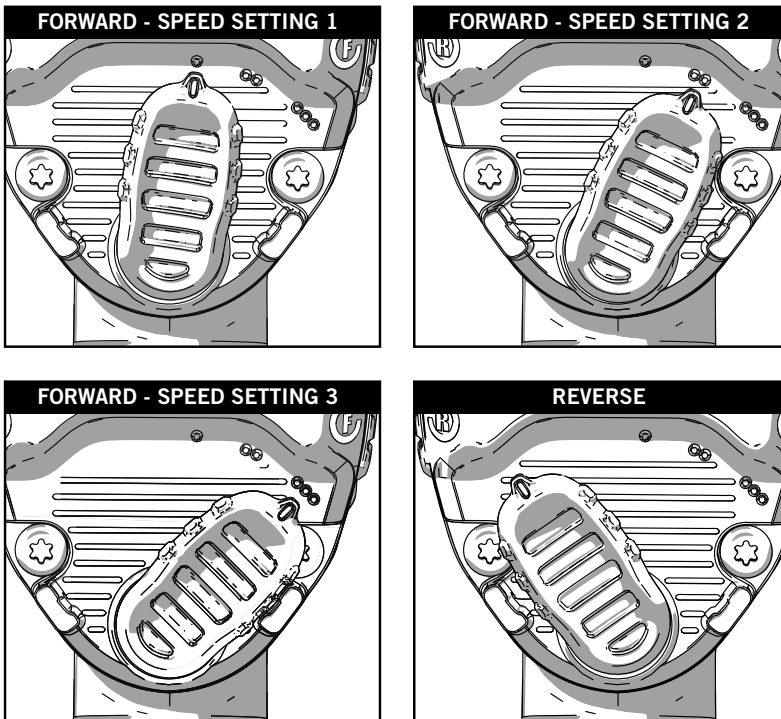
VARIABLE SPEED TRIGGER

To turn the tool on, squeeze the trigger. To turn the tool off, release the trigger. The more you squeeze the trigger, the faster the tool will operate.

FORWARD/REVERSE AND SPEED CONTROL

The forward/reverse and speed control switch (Fig. 1) determines the direction of the tool and also serves as the variable speed control. To select full speed forward rotation, turn the switch to the far right side of the tool as shown. To select reverse, turn the switch to the far left side of the tool as shown. Please note, reverse is always full power. Forward rotation can be adjusted for variable speed by turning the lever between the three settings as shown in Fig 1, switch will detent in each position.

Fig. 1



LED LIGHT ACCESSORY (included with MPF990381, MPF990501, MPF992501 and MPF990501C)

ATTENTION: LED light accessory must be charged before first use. LED light will not function until charged.

LED light is shipped in sleep mode, charging activates light function. (see charging section below)

Installation and Removal of LED Light

Removal: To remove LED light accessory from tool, rotate the LED light accessory counter clockwise, the LED light will make a 'snap' noise as it rotates. At the top of the nose cone, the unlock symbol will line up with the hash mark when fully unlocked. Pull the LED light accessory straight away from the tool to remove. Charging port is located on the back side of LED light accessory (see charging section below).

Install: To install LED light accessory onto tool, line up the hash mark on top of the nose cone with the unlock symbol. Place LED light accessory onto nose cone toward back of tool until it stops. THEN rotate clockwise, the LED light accessory will make a 'snap' noise as it rotates and locks in place. The hash mark on top of the nose cone will now be lined up with the lock symbol.

Charging: To charge the unit, connect the USB charging cable into the charging port (A, Fig. 2) on the unit and then plug it in to an appropriate USB port. The AC adaptor can also be used to charge the unit via a standard electrical outlet.

Longest life and best performance can be obtained if the battery pack is charged when the air temperature is between 65 °F and 75 °F (18° – 24 °C). DO NOT charge the battery pack in an air temperature below +40 °F (+4.5 °C), or above +105 °F (+40.5 °C). This is important and will prevent serious damage to the battery pack.

NOTE: While the unit is charging, the LED Light will blink continuously indicating that the charging process has started. The completion of charge will be indicated by the LED light remaining ON continuously in a dimmed state. The battery pack is fully charged and may be used at this time or left in the charger. NOTE: To ensure maximum performance and life of lithium-ion battery packs, charge the battery pack fully before first use. The LED Light will fully recharge in 4 hours or less.

⚠ CAUTION: Do not stare into LED light. Serious eye injury could result.



There are two LED lights located around the square drive. The LED lights are activated when the trigger switch is depressed.

- On the North American Version, when the trigger is released, the LED light will stay illuminated for up to 5 seconds. If the trigger switch remains depressed, the LED light will remain on.
- On the United Kingdom version, the LED lights will turn off after being illuminated for 20 seconds.

NOTE: The LED Lights are for lighting the immediate work surface and are not intended to be used as a flashlight.

ADAPTOR STATUS INDICATOR

Fig. 3

State of charge	
 charging	— — — —
 fully charged	—————

SERVICE

- Tool service must be performed by qualified repair personnel, using only Mac Tools authorized, identical replacement parts. Use only lubricants recommended by Mac Tools.

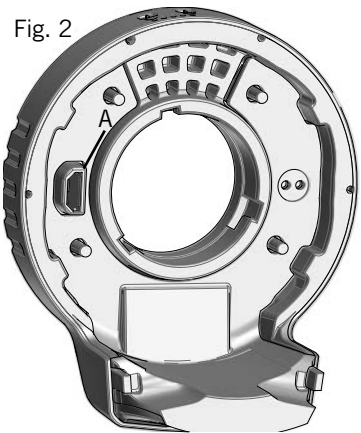


Fig. 2

MAINTENANCE

Lubrication

Air tools require lubrication throughout the lifetime of the tools.

This power tool uses compressed air as a power source. The compressed air contains moisture that will rust the components inside of the tools, therefore lubrication is required daily. Failure to lubricate the air tool properly will dramatically shorten the life of the tool and will void the warranty

▲ CAUTION: This air tool requires lubrication **BEFORE** initial use, also before and after each additional use. To lubricate the air tool manually:

1. Disconnect the tool from the air supply source, place the air inlet face up.
2. Depress the trigger and place about 5 to 10 drops (0.25 to 0.5 ml) of air tool oil into the air inlet.

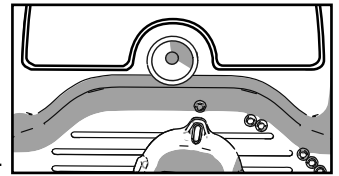
NOTE: Use SAE #10 weight oil if air tool oil is not available.

3. Remove accessory, connect the tool to an air source, then cover the exhaust end with a towel and run tool for 2 to 3 seconds.

To lubricate internal mechanism:

Locate the grease fitting on the back of the tool (fig. 4). Inject 4 grams of Mac Tools approved impact grease into the fitting every 3-5 months depending on use. Use recommended grease gun nozzle tip (fig. 5) on grease fitting, smaller or sharp nozzle will damage grease fitting ball bearing.

Fig. 4



▲ WARNING: Keep out of the reach of children. If air tool oil is ingested, do not induce vomiting, call a doctor immediately.

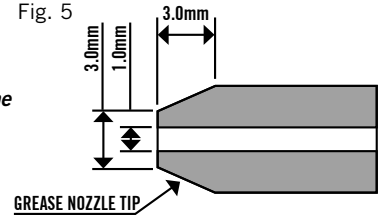
▲ WARNING: Any excess oil in the tool is immediately expelled from the exhaust port. Always direct exhaust port away from people or objects.

NOTE: Check the speed and make a simple check of the vibration level after each service.

Storage: The air tool must be lubricated before storing. Follow the "Lubrication" instruction with exception of step 3.

Always use an air line lubricator with this tool. Do not over-oil and do not use heavy grade oil as stalling and low performance may result.

Fig. 5



PLACING TOOL IN SERVICE

Fig. 6

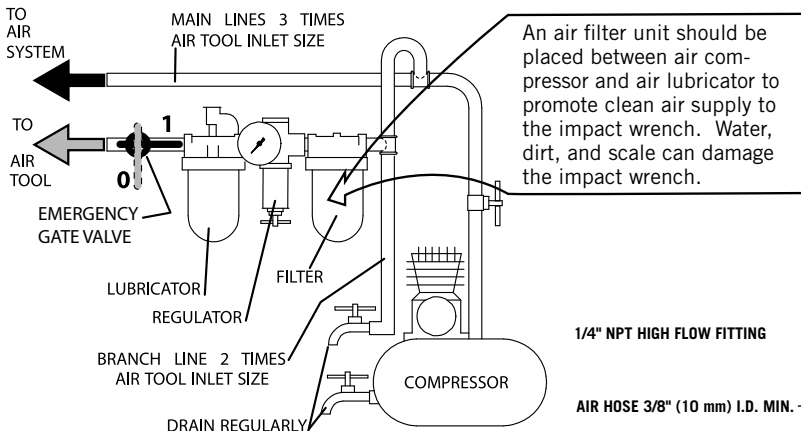
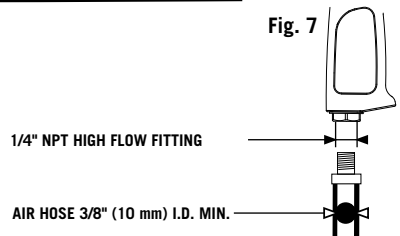


Fig. 7



PROPER HAND POSITION

WARNING

⚠ WARNING: To reduce the risk of serious personal injury, ALWAYS use proper hand position as shown (Fig. 8).

⚠ WARNING: To reduce the risk of serious personal injury, ALWAYS hold securely in anticipation of a sudden reaction.



Fig. 8

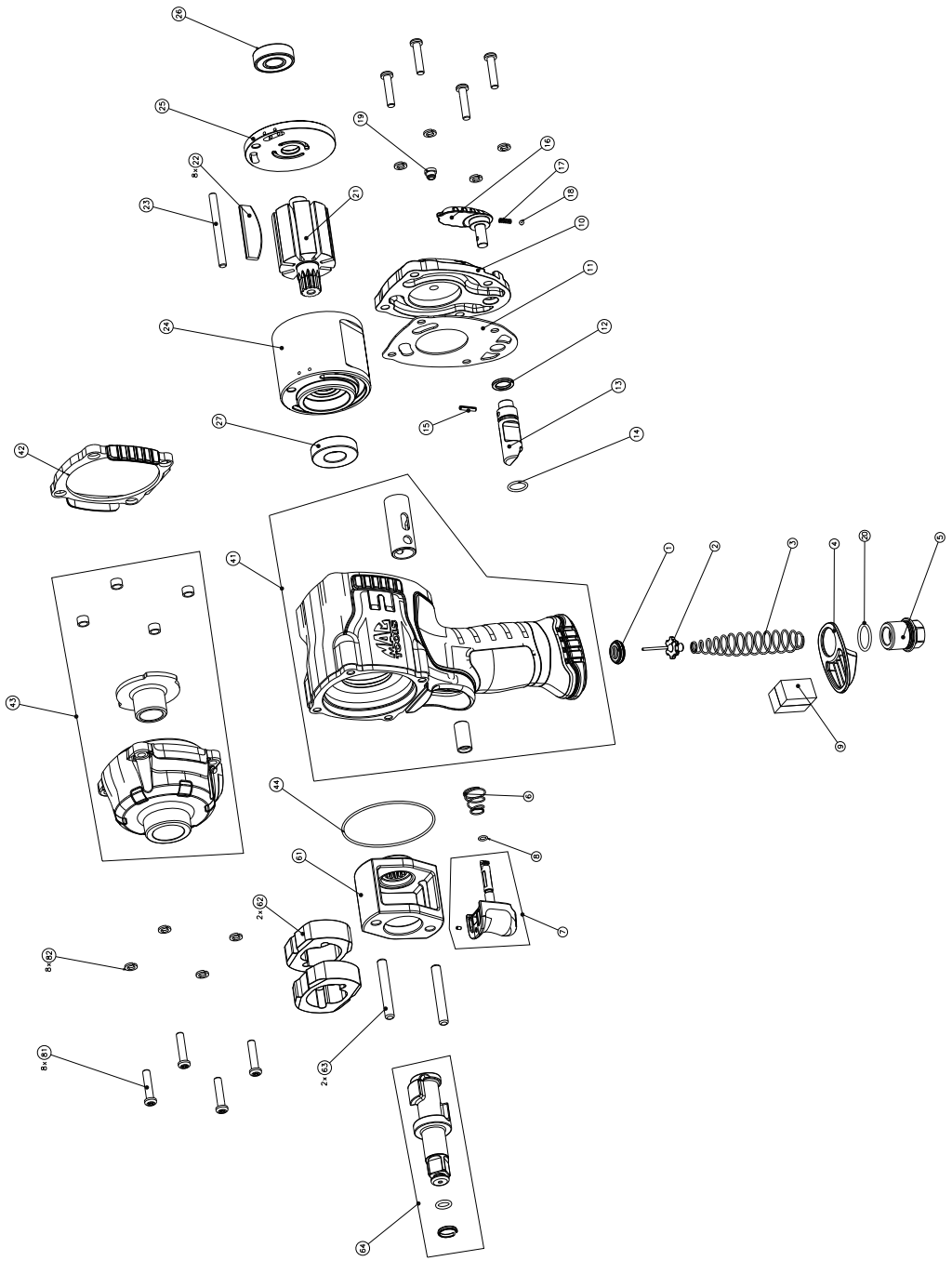
SPECIFICATIONS

Model #	Square Drive in / mm	Impact Rate bpm fwd / rev	Breakaway Torque ft-lbs / Nm	Noise Level (ISO 15744)			
				Pressure dB(A)		Power dB(A)	
MPF980381	.375 / 9.5	1300 / 1400	575 / 780	95	3*	107	3*
MPF980501	.5 / 13	1200 / 1300	1180 / 1600	93	3*	104	3*
MPF990381	.375 / 9.5	1300 / 1400	700 / 950	95	3*	107	3*
MPF990501	.5 / 13	1100 / 1200	1400 / 1898	94	3*	105	3*
MPF990501C	.5 / 13	1300 / 1400	700 / 950	95	3*	107	3*
MPF992501	.5 / 13	1100 / 1200	1400 / 1898	93	3*	104	3*

Model #	Vibration Level (ISO 28927-2)		Average Air Consumption cfm / l/min	Working Pressure psi / bar	Weight lbs / kg	Dimensions in / mm
	m/s ²					
MPF980381	3.0	1.5**	5.9 / 167	90 / 6.2	2.8 / 1.3	5.6 x 2.5 x 7.8 / 143 x 62.5 x 197
MPF980501	6.2	2.5**	6.1 / 172	90 / 6.2	4.4 / 2	6.4 x 3 x 8.3 / 162 x 75.3 x 212
MPF990381	3.9	1.5**	5.9 / 167	90 / 6.2	3 / 1.4	5.6 x 2.5 x 7.8 / 143 x 62.5 x 197
MPF990501	6.4	2.2**	6.1 / 172	90 / 6.2	4.8 / 2.2	6.4 x 3 x 8.3 / 162 x 75.3 x 212
MPF990501C	3.9	1.5**	5.9 / 167	90 / 6.2	3 / 1.4	5.7 x 2.5 x 7.8 / 144 x 62.5 x 197
MPF992501	7.1	2.1**	6.1 / 172	90 / 6.2	5 / 2.3	8.3 x 3 x 8.3 / 212 x 75.3 x 212

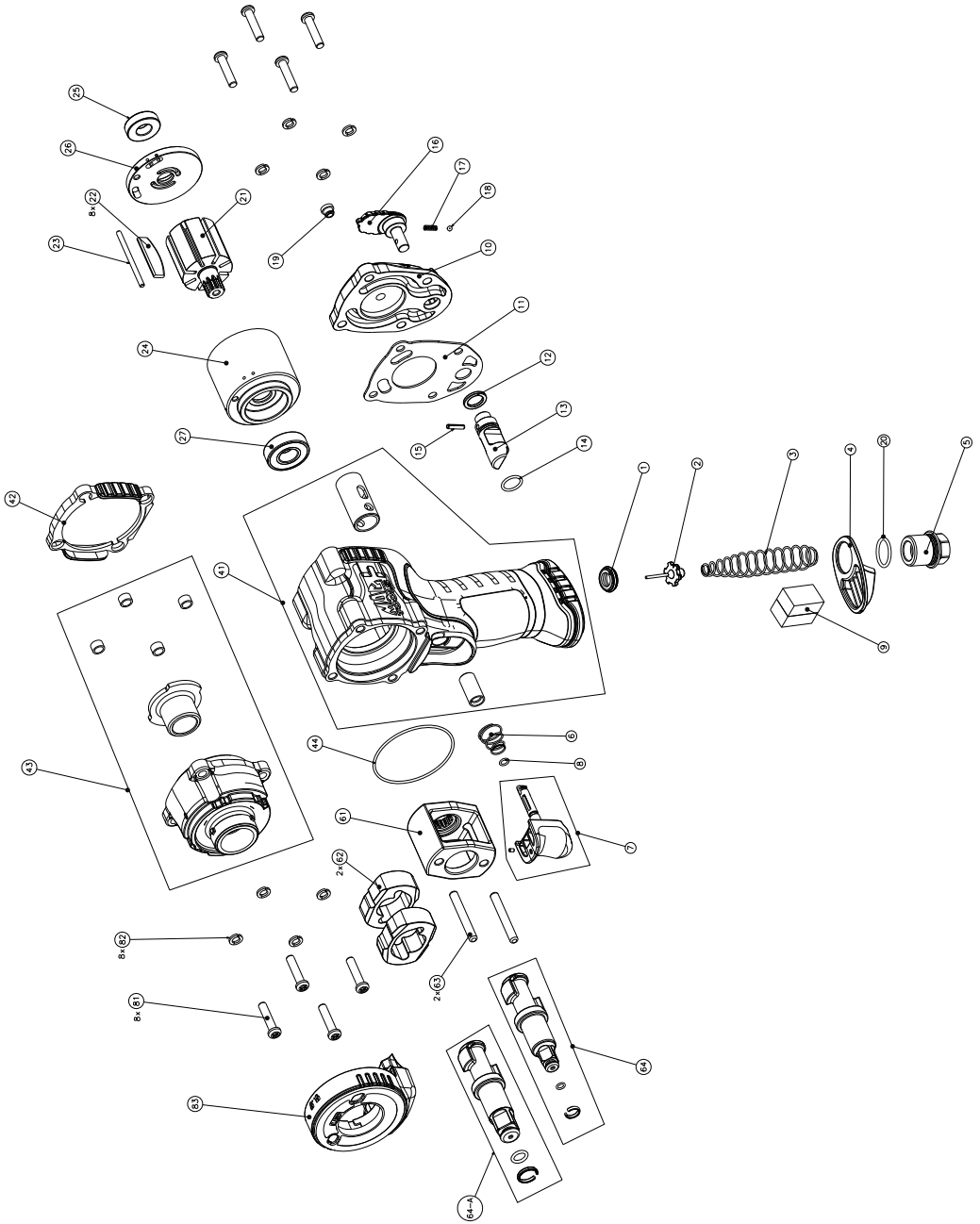
* = measurement uncertainty in dB(A)

** = measurement uncertainty in m/s²



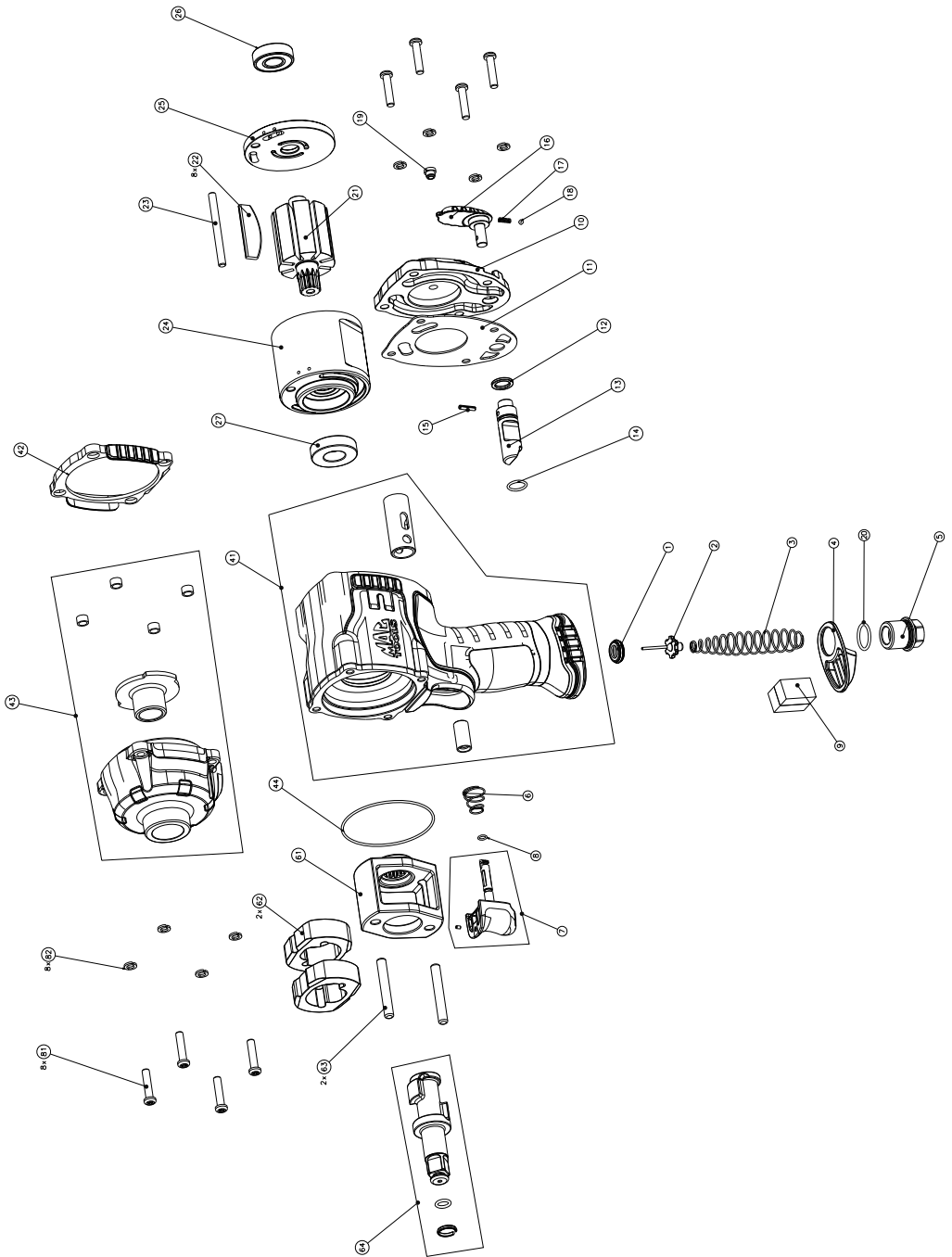
ITEM #	PART #	DESCRIPTION	QTY
	MPF980381	3/8" AIR IMPACT WRENCH	
1	N539593	GASKET	1
2	N463044	THROTTLE VALVE	1
3	N463048	THROTTLE VALVE SPRING	1
4	N471027	EXHAUST	1
5	N495010	AIR INLET	1
6	N498835	TRIGGER FRONT BIAS SPRING	1
7	N548975	TRIGGER	1
8	N470999	O-RING	1
9	N566303	OILER FELT	1
10	N497317	BACK CAP	1
11	N488302	REAR GASKET	1
12	N471020	VALVE RUBBER SEAL	1
13	N497986	VALVE	1
14	N470994	O-RING	1
15	N488303	ROLL PIN	1
16	N494372	THUMB PADDLE	1
17	N471026	DETENT SPRING	1
18	N471025	DETENT BALL Ø3MM	1
19	N463039	GREASE FITTING	1
20	86459	O-RING	1
21	N471031	ROTOR	1
22	N573342	ROTOR BLADE	8
23	N471017	DOWEL	1
24	N488315	CYLINDER	1
25	N488319	REAR END PLATE	1
26	N461671	BALL BEARING	1

ITEM #	PART #	DESCRIPTION	QTY
27	N472554	BALL BEARING	1
41	N533961	HOUSING ASSEMBLY	1
		VALVE SLEEVE	1
		TRIGGER SLEEVE	1
42	N488301	FRONT GASKET	1
43	N533950	HAMMER CASE ASSEMBLY	1
		SLEEVE	1
		SPACER	4
44	N554255	O-RING	1
61	N471004	FRAME	1
62	N471003	HAMMER	2
63	N471005	PIN	2
64	N527950	3/8" ANVIL ASSEMBLY	1
		O-RING	1
		HOG RING	1
81	N470995	SCREW	8
82	N470996	WASHER	8



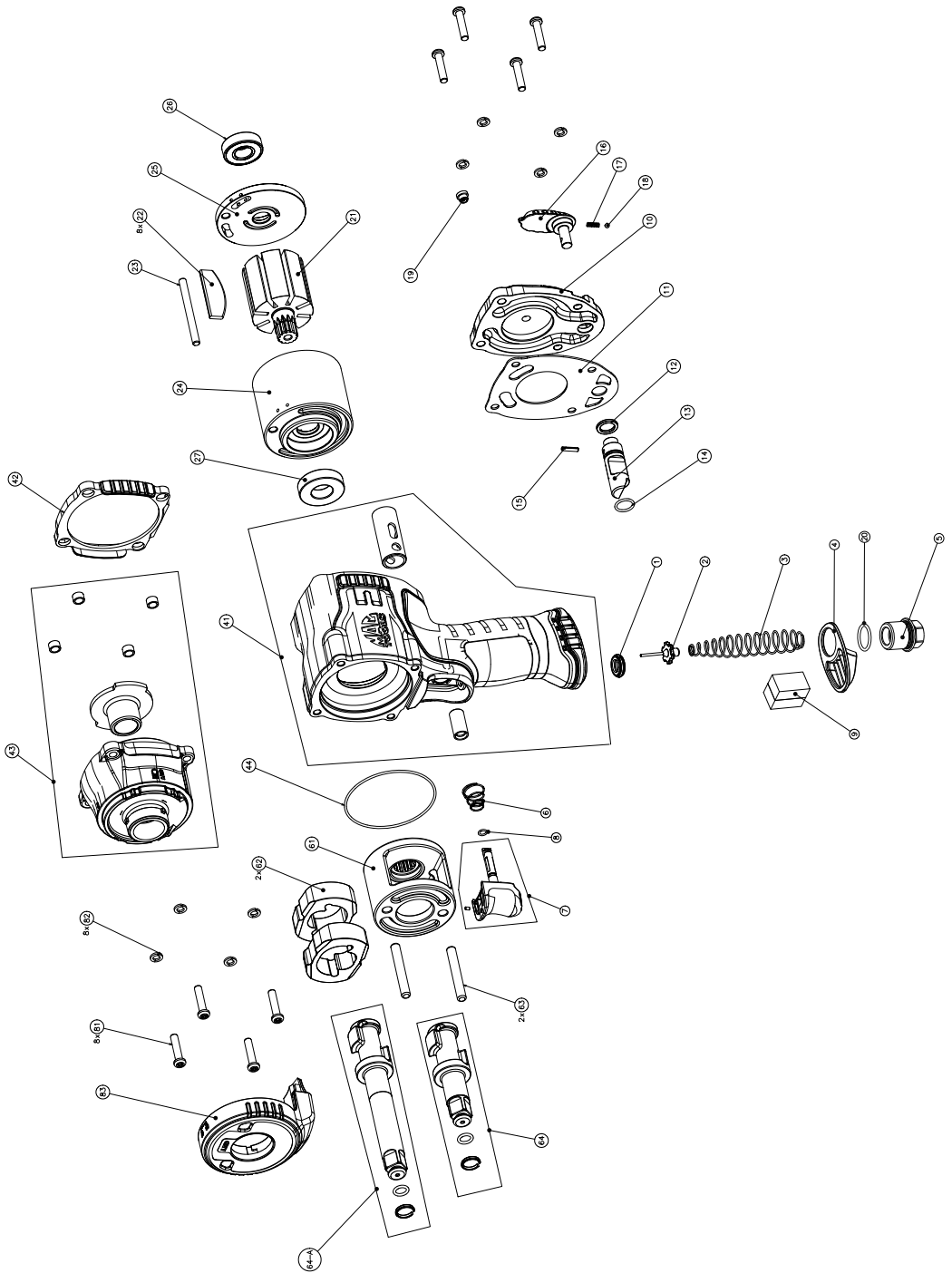
ITEM #	PART #	DESCRIPTION	QTY
	MPF990381/ MPF990501C	HIGH PERFORMANCE 3/8" IMPACT WRENCH HIGH PERFORMANCE 1/2" COMPACT IMPACT WRENCH	
1	N539593	GASKET	1
2	N463044	THROTTLE VALVE	1
3	N463048	THROTTLE VALVE SPRING	1
4	N471027	EXHAUST	1
5	N495010	AIR INLET	1
6	N496835	TRIGGER FRONT BIAS SPRING	1
7	N548975	TRIGGER	1
8	N470999	O-RING	1
9	N566303	OILER FELT	1
10	N497317	BACK CAP	1
11	N488302	REAR GASKET	1
12	N471020	VALVE RUBBER SEAL	1
13	N497986	VALVE	1
14	N470994	O-RING	1
15	N488303	ROLL PIN	1
16	N494372	THUMB PADDLE	1
17	N471026	DETENT SPRING	1
18	N471025	DETENT BALL Ø3MM	1
19	N463039	GREASE FITTING	1
20	86459	O-RING	1
21	N471006	ROTOR	1
22	N573340	ROTOR BLADE	8
23	N471017	DOWEL	1
24	N488314	CYLINDER	1
25	N488319	REAR END PLATE	1

ITEM #	PART #	DESCRIPTION	QTY
26	N461671	BALL BEARING	1
27	N472554	BALL BEARING	1
41	N533957	HOUSING ASSEMBLY	1
		VALVE SLEEVE	1
		TRIGGER SLEEVE	1
42	N488301	FRONT GASKET	1
43	N533949	HAMMER CASE ASSEMBLY	1
		SLEEVE	1
		SPACER	1
44	N554255	O-RING	1
61	N471004	FRAME	1
62	N471003	HAMMER	2
63	N471005	PIN	2
64	N527950	3/8" ANVIL ASSEMBLY	1
		O-RING	1
		HOG RING	1
64-A	N527951	1/2" ANVIL ASSEMBLY	1
		O-RING	1
		HOG RING	1
81	N470995	SCREW	8
82	N470996	WASHER	8
83	N516144	LIGHT MODULE	1



ITEM #	PART #	DESCRIPTION	QTY
	MPF980501	1/2" IMPACT WRENCH	
1	N539593	GASKET	1
2	N463044	THROTTLE VALVE	1
3	N463048	THROTTLE VALVE SPRING	1
4	N471027	EXHAUST	1
5	N495010	AIR INLET	1
6	N496835	TRIGGER FRONT BIAS SPRING	1
7	N548975	TRIGGER	1
8	N470999	O-RING	1
9	N566303	OILER FELT	1
10	N470981	BACK CAP	1
11	N471022	REAR GASKET	1
12	N471020	VALVE RUBBER SEAL	1
13	N488321	VALVE	1
14	N470994	O-RING	1
15	N488303	ROLL PIN	1
16	N488323	THUMB PADDLE	1
17	N471026	DETENT SPRING	1
18	N471025	DETENT BALL Ø3MM	1
19	N463039	GREASE FITTING	1
20	86459	O-RING	1
21	N471034	ROTOR	1
22	N573341	ROTOR BLADE	8
23	N470989	DOWEL	1
24	N488312	CYLINDER	1
25	N488317	REAR END PLATE	1

ITEM #	PART #	DESCRIPTION	QTY
26	N472554	BALL BEARING	1
27	N470976	BALL BEARING	1
41	N533952	HOUSING ASSEMBLY	1
		VALVE SLEEVE	1
		TRIGGER SLEEVE	1
42	N471021	FRONT GASKET	1
43	N533948	HAMMER CASE ASSEMBLY	1
		SLEEVE	1
		SPACER	1
44	N554257	O-RING	1
61	N471033	FRAME	1
62	N548966	HAMMER	2
63	N470969	PIN	2
64	N527948	1/2" ANVIL ASSEMBLY	1
		O-RING	1
		HOG RING	1
81	N470995	SCREW	8
82	N470996	WASHER	8



ITEM #	PART #	DESCRIPTION	QTY
	MPP990501/ MPP992501	HIGH PERFORMANCE 1/2" IMPACT WRENCH HIGH PERFORMANCE 1/2" EXTENDED IMPACT WRENCH	
1	N539593	GASKET	1
2	N463044	THROTTLE VALVE	1
3	N463048	THROTTLE VALVE SPRING	1
4	N471027	EXHAUST	1
5	N495010	AIR INLET	1
6	N496835	TRIGGER FRONT BIAS SPRING	1
7	N548975	TRIGGER	1
8	N470999	O-RING	1
9	N566303	OILER FELT	1
10	N470981	BACK CAP	1
11	N471022	REAR GASKET	1
12	N471020	VALVE RUBBER SEAL	1
13	N488321	VALVE	1
14	N470994	O-RING	1
15	N488303	ROLL PIN	1
16	N488323	THUMB PADDLE	1
17	N471026	DETENT SPRING	1
18	N471025	DETENT BALL Ø3MM	1
19	N463039	GREASE FITTING	1
20	86459	O-RING	1
21	N470970	ROTOR	1
22	N573343	ROTOR BLADE	8
23	N470989	DOWEL	1
24	N488311	CYLINDER	1
25	N488317	REAR END PLATE	1

ITEM #	PART #	DESCRIPTION	QTY
26	N472554	BALL BEARING	1
27	N470976	BALL BEARING	1
41	N533951	HOUSING ASSEMBLY	1
		VALVE SLEEVE	1
		TRIGGER SLEEVE	1
42	N471021	FRONT GASKET	1
43	N491765	HAMMER CASE ASSEMBLY	1
		SLEEVE	1
		SPACER	1
44	N554257	O-RING	1
61	N470968	FRAME	1
62	N548966	HAMMER	2
63	N470969	PIN	2
64	N527948	1/2" ANVIL ASSEMBLY	1
		O-RING	1
		HOG RING	1
64-A	N527949	1/2" EXTENDED ANVIL ASSEMBLY	1
		O-RING	1
		HOG RING	1
81	N470995	SCREW	8
82	N470996	WASHER	8
83	N494860	LIGHT MODULE	1
86	N471020	VALVE RUBBER SEAL	1

COMPLIANCE

This device is CAN ICES-3(B)/NMB-3(B) compliant.

This device complies with Part 15 of the FCC rules and Industry Canada License-exempt RSS standard(s).

Operation is subject to the following two conditions:

This device may not cause harmful interference, and

This device must accept any interference received, including interference that may cause undesired operation.

This equipment has been tested and found to comply with the limits for a Class B digital device, pursuant to Part 15 of the FCC Rules. These limits are designed to provide reasonable protection against harmful interference in a residential installation. This equipment generates, uses, and can radiate radio frequency energy and, if not installed and used in accordance with the instructions, may cause harmful interference to radio communications. However, there is no guarantee that interference will not occur in a particular installation. If this equipment does cause harmful interference to radio or television reception, which can be determined by turning the equipment off and on, the user is encouraged to try to correct the interference by one of the following measures:

Reorient or relocate the receiving antenna.

Increase the separation between the equipment and receiver.

Connect the equipment into an outlet on a circuit different from that to which the receiver is connected.

Consult the dealer or an experienced radio/TV technician for help.

THE RBRC® SEAL



The RBRC® (Rechargeable Battery Recycling Corporation) Seal on the nickel cadmium, nickel metal hydride or lithium-ion batteries (or battery packs) indicates that the costs to recycle these batteries (or battery packs) at the end of their useful life have already been paid by Mac Tools.

In some areas, it is illegal to place spent nickel cadmium, nickel metal hydride or lithium-ion batteries in the trash or municipal solid waste stream and the Call 2 Recycle® program provides an environmentally conscious alternative.

Call 2 Recycle, Inc., in cooperation with Mac Tools and other battery users, has established the program in the United States and Canada to facilitate the collection of spent nickel cadmium, nickel metal hydride or lithium-ion batteries. Help protect our environment and conserve natural resources by returning the spent nickel cadmium, nickel metal hydride or lithium-ion batteries to an authorized Mac Tools service center or to your local retailer for recycling. You may also contact your local recycling center for information on where to drop off the spent battery. RBRC® is a registered trademark of Call 2 Recycle, Inc.

LIMITED WARRANTY

We warrant that this tool shall be free from manufacturing defects for a period of ONE YEAR from the original purchase date. Our obligation to the original purchaser shall be limited to repairing or replacing, at our expense (not including shipping charges) a defective tool if returned by the original purchaser within one year from the date of purchase, all incoming shipping charges prepaid. THIS WARRANTY DOES NOT COVER DEFECTS OR DAMAGES TO THE TOOL (i) after the warranty period expires; (ii) resulting from misuse or abnormal operation; (iii) resulting from a failure to properly lubricate, maintain or operate the tool; or (iv) resulting from any repair or maintenance services performed by any party other than Mac Tools. THIS LIMITED WARRANTY IS GIVEN IN LIEU OF ALL OTHERS, INCLUDING THE IMPLIED WARRANTY OF MERCHANTABILITY AND FITNESS FOR A PARTICULAR PURPOSE, AND EXCLUDES ALL INCIDENTAL OR CONSEQUENTIAL DAMAGES. Some states do not allow limitations on how long an implied warranty lasts or the exclusion or limitation of incidental or consequential damages, so these limitations may not apply to you. This warranty gives you specific legal rights and you may have other rights which vary in certain states or provinces.

CUSTOMER SERVICE

We at Mac Tools are committed to our customers, please reference the following phone number for a direct contact to one of our customer technicians. They will be more than happy to help with any service or warranty questions you may have about your power tool.

MACTOOLS.COM | Mac Tools • 505 North Cleveland Avenue • Westerville, Ohio 43082 | 800.MACTOOLS

Mac Tools-Europe, Stanley Black & Decker Inc. • Unit 3, Europa Court
Sheffield Business Park • Sheffield, S9 1XE | 0114 2917266

CE DECLARATION OF CONFORMITY

WE, **MAC TOOLS EUROPE-STANLEY BLACK & DECKER, INC. EUROPA COURT, SHEFFIELD BUSINESS PARK, SHEFFIELD S9 1XE, UNITED KINGDOM**, DECLARE UNDER OUR OWN RESPONSIBILITY THAT THE PRODUCTS **MPF980381 – 0.375 IN IMPACT WRENCH, MPF980501 – 0.5 IN IMPACT WRENCH, MPF990381– HIGH PERFORMANCE 0.375 IN IMPACT WRENCH, MPF990501 – HIGH PERFORMANCE 0.5 IN IMPACT WRENCH, MPF990501C – HIGH PERFORMANCE 0.5 IN COMPACT IMPACT WRENCH, MPF992501 – HIGH PERFORMANCE 0.5 IN IMPACT WRENCH 2 IN EXTENDED ANVIL**

- ARE IN CONFORMITY WITH THE "MACHINERY" DIRECTIVE 2006/42/EC
- AND ARE IN CONFORMITY WITH THE PROVISIONS OF THE HARMONISED EUROPEAN STANDARD EN ISO 11148-6: 2012

THE UNDERSIGNED IS RESPONSIBLE FOR COMPILATION OF THE TECHNICAL FILE AND MAKES THIS DECLARATION ON BEHALF OF MAC TOOLS.



A handwritten signature in black ink, appearing to read 'M. Rompel'.

Markus Rompel
Director Engineering
25.04.2017



**MPF980381, MPF980501,
MPF990381, MPF990501C,
MPF990501, MPF992501**
Manual de instrucciones



ADVERTENCIA

Para reducir el riesgo de lesiones, lea y comprenda estas advertencias e instrucciones de seguridad antes de utilizar la herramienta. Guarde estas instrucciones con la herramienta para futuras consultas. Si tiene preguntas, contacte con su representante o distribuidor de **MAC TOOLS**.

© 2018 Mac Tools

Llave de impacto de 9.5 mm (3/8 pulg.) | Llave de impacto de 13 mm (1/2 pulg.)
Llave de impacto de alto rendimiento de transmisión de 9.5 mm | Llave de impacto de alto rendimiento de transmisión de 13 mm
Llave de impacto compacta de alto rendimiento de transmisión de 13 mm
Llave de impacto extendido de alto rendimiento de transmisión de 13 mm

TABLA DE CONTENIDOS

Introducción	23
Instrucciones de seguridad	24 - 29
Componentes de la herramienta	30 - 37
Mantenimiento	39 - 40
Especificaciones	41
Información de contacto	43

INTRODUCCIÓN

Las llaves de impacto **Mac Tools MPF980381, MPF980501, MPF990381, MPF990501C, MPF990501 y MPF992501** son herramientas de precisión, diseñadas para colocar, ajustar y aflojar sujetadores roscados, por lo general tuercas y pernos, cuando se los coloca con un cubo de impacto apropiado. Estas herramientas ofrecen un servicio confiable y eficiente cuando se utilizan de la manera correcta y con cuidado. Estas herramientas ofrecen un servicio eficiente y confiable cuando se usa correctamente y con cuidado. Al igual que con cualquier herramienta eléctrica delicada, para un mejor rendimiento deben observarse las instrucciones del fabricante. Deben leerse con atención las instrucciones de instalación, operación y mantenimiento y el manual debe conservarse para referencia. **NOTA:** Pueden requerirse medidas adicionales de seguridad debido a su aplicación particular de la herramienta. Contacte al representante o al distribuidor de Mac Tools si tiene preguntas sobre la herramienta y su uso.

MACTOOLS.COM | Mac Tools • 505 North Cleveland Avenue • Westerville, Ohio 43082 | 800.MACTOOLS

Mac Tools-Europe, Stanley Black & Decker Inc. • Unit 3, Europa Court
Sheffield Business Park • Sheffield, S9 1XE | 0114 2917266

Definiciones: Símbolos y palabras de alerta de seguridad

Este manual de instrucciones utiliza los siguientes símbolos y palabras de alerta de seguridad para alertarle de situaciones peligrosas y del riesgo de lesiones corporales o daños materiales.

- ▲ **PELIGRO:** Indica una situación de peligro inminente que, si no se evita, provocará **la muerte o lesiones graves**.
- ▲ **ADVERTENCIA:** Indica una situación de peligro potencial que, si no se evita, **podría** provocar **la muerte o lesiones graves**.
- ▲ **ATENCIÓN:** Indica una situación de peligro potencial que, si no se evita, **posiblemente** provocaría **lesiones leves o moderadas**.
- ▲ (Utilizado sin palabras) indica un mensaje de seguridad relacionado.
- AVISO:** Se refiere a una práctica **no relacionada a lesiones corporales** que de no evitarse **puede** resultar en **daños a la propiedad**.

La etiqueta de su herramienta puede incluir los siguientes símbolos. A continuación se indican los símbolos y sus definiciones:

V..... voltios	⎓ or AC/DC corriente alterna o directa
Hz..... hercios	Ⓜ..... Construcción de Clase II (doble aislamiento)
min minutos	n ₀ velocidad sin carga
—=— or DC.. corriente directa	n velocidad nominal
Ⓜ..... Construcción de Clase I (tierra)	Ⓧ..... terminal de conexión a tierra
.../min por minuto	▲..... símbolo de advertencia de seguridad
BPM..... golpes por minuto	△..... radiación visible
IPM..... impactos por minuto	☉..... protección respiratoria
RPM..... revoluciones por minuto	☉..... protección ocular
sfpm pies de superficie por minuto	☉..... protección auditiva
SPM..... pasadas por minuto	📖..... lea toda la documentación
A..... amperios	🔥..... no incinere
W..... vatios	
~ or AC..... corriente alterna	

ADVERTENCIA

CONSIGNES DE SÉCURITÉ IMPORTANTES CI-INCLUSES. LIRE CE GUIDE
D'UTILISATION AVANT TOUTE UTILISATION DE L'OUTIL.
CONSERVEZ POUR RÉFÉRENCE FUTURE

RISQUES DE DOMMAGES CORPORELS EN CAS DE NON-RESPECT DE CES DIRECTIVES.



No utilice mangueras de aire y accesorios dañados, desgastados o deteriorados.



Las herramientas neumáticas pueden vibrar durante el uso. La vibración, los movimientos repetitivos o las posiciones incómodas pueden ser peligrosos para las manos y los brazos. Deje de usar cualquier herramienta si siente incomodidad, tiene una sensación de hormigueo o siente dolor. Busque asesoramiento médico antes de continuar el uso.



No transporte la herramienta por la manguera.



Mantenga una postura equilibrada y firme. No ponga en peligro su estabilidad al operar esta herramienta.



Apague siempre el suministro de aire y desconecte la manguera de suministro de aire antes de instalar, retirar o ajustar cualquier accesorio o antes de realizar cualquier tarea de mantenimiento en esta herramienta.



Use equipos de protección tales como gafas, guantes, zapatos de seguridad y protección acústica. Manténgase atento, use el sentido común y preste atención al usar la herramienta.



Siempre use protección ocular ANSI Z87.1 CAN CSA Z94.3 o para Europa, protección ocular adecuada con marca CE al operar o realizar mantenimiento en esta herramienta.



Siempre use protección respiratoria adecuada al utilizar esta herramienta.



Operar a una presión máxima de aire de 90 psig (6,2 bares)



No aplique aceite excesivo ni use aceite para servicio intenso ya que puede producirse el atascamiento y bajo rendimiento.

INSTRUCCIONES DE SEGURIDAD GENERALES

ADVERTENCIA

⚠ ADVERTENCIA! Lea todas las advertencias de seguridad e instrucciones. El incumplimiento de las advertencias e instrucciones puede provocar descargas eléctricas, incendios o lesiones graves.

Utilice equipos de protección personal. Según la aplicación, debe usar protector facial, anteojos de seguridad o lentes de seguridad. Según corresponda, utilice máscara para polvo, protectores auditivos, guantes y delantal de taller para protegerse de los pequeños fragmentos abrasivos y de los fragmentos de la pieza de trabajo.

La protección para los ojos debe ser capaz de detener los residuos volátiles que se generan en las diferentes operaciones. La máscara para polvo o respirador debe ser capaz de filtrar las partículas generadas por el funcionamiento de la herramienta. La exposición prolongada al ruido intenso puede provocar pérdida de la audición. Los anteojos de diario NO SON lentes de seguridad. Utilice además una cubrebocas o mascarilla antipolvo si la operación de corte genera demasiado polvo. SIEMPRE LLEVE EQUIPO DE SEGURIDAD CERTIFICADO:

- Protección ocular ANSI Z87.1 (CAN/CSA Z94.3),
- Protección auditiva ANSI S12.6 (S3.19),
- Protección respiratoria NIOSH/OSHA/MSHA

1) SEGURIDAD EN EL ÁREA DE TRABAJO

- Mantenga el área de trabajo limpia y bien iluminada. Las áreas abarrotadas y oscuras propician accidentes. Esté atento a su entorno, las superficies resbaladizas causadas por el uso de esta herramienta y también de los peligros de tropiezos causados por las líneas de aire.

- No opere las herramientas neumáticas en atmósferas explosivas, como ambientes donde haya polvo, gases o líquidos inflamables. Las herramientas neumáticas originan chispas que pueden encender el polvo o los vapores.
- No use en condiciones húmedas.
- Mantenga alejados a los niños y a los espectadores de la herramienta eléctrica en funcionamiento. Las distracciones pueden provocar la pérdida de control.

2) SEGURIDAD PERSONAL

- Permanezca alerta, controle lo que está haciendo y utilice el sentido común cuando emplee una herramienta eléctrica. No utilice una herramienta eléctrica si está cansado o bajo el efecto de drogas, alcohol o medicamentos. Un momento de descuido mientras se opera una herramienta eléctrica puede provocar lesiones personales graves.
 - Evite el encendido accidental. Verifique que el gatillo esté en la posición de apagado antes de conectar a la fuente de aire, levantar o transportar la herramienta. Llevar las herramientas eléctricas con el dedo en el interruptor o enchufar herramientas eléctricas con el interruptor en la posición de encendido puede ocasionar accidentes.
 - La exposición a altos niveles de ruido puede provocar pérdida de la audición permanente, discapacitante y otros problemas, como acúfeno (campanilleo, zumbido, silbido o murmullo en los oídos). Por lo tanto, son fundamentales una evaluación de riesgo y la implementación de controles adecuados para estos peligros. Los controles adecuados para reducir el riesgo pueden incluir acciones como amortiguar materiales para evitar que las piezas de trabajo repiqueteen.
 - Use indumentaria apropiada. No use indumentaria suelta ni joyas. Mantenga su cabello, indumentaria y guantes alejados de las piezas móviles. Ropa suelta, guantes revestidos con goma o reforzados con metal, guantes con dedos cortados o deshilachados, joyas o cabello largo pueden resultar atrapados en piezas móviles.
 - Mantenga las manos y otras partes del cuerpo, ropa suelta y cabello largo alejados del extremo móvil de la herramienta.
 - Anticípese y esté atento a los cambios repentinos en el movimiento durante el arranque y la operación de cualquier herramienta eléctrica.
 - Los operadores y el personal de mantenimiento deben tener la capacidad física de manejar el volumen, la masa y la potencia de la herramienta.
 - Mantenga una postura corporal equilibrada y firme. No ponga en peligro su estabilidad al operar esta herramienta.
 - No opere esta herramienta durante períodos prolongados. La vibración provocada por la acción de la herramienta puede ser peligrosa para sus manos y brazos. Sujete la herramienta con un agarre ligero pero seguro, teniendo en cuenta las fuerzas de reacción manual necesarias. Deje de utilizar cualquier herramienta si se produce malestar, sensación de hormigueo o dolor. Consulte con un médico antes de volver a utilizarla.
 - Esta herramienta no está aislada contra descargas eléctricas, el contacto con un cable vivo transmitirá la corriente a las piezas expuestas de metal.
 - Para EE. UU.: Cierta polvo creado por el lijado eléctrico, el aserrado, el amolado, la perforación, el astillado y otras actividades de construcción contiene productos químicos que el Estado de California ha determinado que son causantes de cáncer, defectos de nacimiento u otros daños reproductivos. Algunos ejemplos de estos productos químicos son:
 - plomo de pinturas con base de plomo,
 - silicio cristalino de ladrillos, cemento y otros productos de albañilería, y
 - arsénico y cromo de la leña con tratamiento químico.
- Su riesgo ante estas exposiciones varía de acuerdo con la frecuencia en que realice este tipo de trabajo. Para reducir su exposición a estos productos químicos: trabaje en un área bien ventilada, y trabaje con equipos de seguridad aprobados, como máscaras para polvo especialmente diseñadas para filtrar las partículas microscópicas.
- Debido al polvo generado durante el uso de la herramienta, una evaluación del riesgo y la puesta en práctica de controles apropiados para estos peligros son esenciales.
 - Los accesorios y herramientas pueden calentarse durante la operación. Use guantes al tocarlos. Asegúrese de que la herramienta esté apagada al cambiar los accesorios.
 - Mantenga a las personas ajenas al trabajo a una distancia segura del área de trabajo. Cualquier persona que ingresa al área de trabajo debe usar equipos de protección personal. Los fragmentos de la pieza de trabajo o de un accesorio roto pueden salir despedidos y causar lesiones más allá del área inmediata de operación.
 - Nunca dirija aire hacia usted o hacia otra persona, ya que podría provocar lesiones personales.
 - Use ropa cálida al trabajar en condiciones frías y mantenga las manos calientes y secas.

- El rebote de las mangueras puede causar lesiones graves. Siempre compruebe si hay mangueras y accesorios dañados o sueltos.
- Evite el contacto prolongado con el polvo procedente del lijado, serrado, esmerilado y taladrado eléctricos, así como de otras actividades del sector de la construcción. Lleve ropa protectora y lave con agua y jabón las zonas expuestas. Si permite que el polvo se introduzca en la boca u ojos o quede sobre la piel, puede favorecer la absorción de productos químicos peligrosos.
- Toda persona que entre al área de trabajo deberá usar una máscara antipolvo o protección respiratoria. El filtro debería ser reemplazado a diario o cuando el usuario tenga dificultad para respirar. Puede encontrar la máscara antipolvo apropiada aprobada por NIOSH/OSHA en su ferretería local.
- Guarde la herramienta eléctrica que no esté en uso fuera del alcance de los niños y no permita que otras personas no familiarizadas con ella o con estas instrucciones operen la herramienta. Las herramientas eléctricas son peligrosas si son operadas por usuarios no capacitados.
- Este producto puede contener una o más sustancias químicas reconocidas por el Estado de California como causantes de cáncer, defectos de nacimiento u otros problemas reproductivos. Lávese muy bien las manos después de manipular el producto.
- No permita que los niños entren en contacto con esta herramienta. Se requiere supervisión cuando operadores sin experiencia usan esta herramienta.
- No modifique esta herramienta. Las modificaciones pueden reducir la efectividad de las medidas de seguridad e incrementar los riesgos para el operador.
- No descarte las instrucciones de seguridad; entréguelas al operador.
- No use la herramienta si ha sido dañada.
- Recuerde que la falla de la pieza de trabajo o los accesorios, o incluso de la herramienta, puede disparar proyectiles de alta velocidad.
- Este producto no está diseñado para ser usado por personas (incluidos niños) que sufren de una reducción de sus capacidades físicas, sensoriales o mentales, o de falta de experiencia, conocimiento o habilidades, a menos que estén supervisadas por la persona responsable de su seguridad. Los niños nunca deben quedar solos con este producto. Esta herramienta y sus accesorios deben ser usados en cumplimiento de estas instrucciones. Su uso para otro propósito puede causar un riesgo para las personas y el medio ambiente.
- Solo los operadores calificados y capacitados deben instalar, ajustar o usar la herramienta.
- Para trabajos en altura, use un casco de seguridad.
- Dirija el escape para minimizar la interferencia del polvo en un ambiente lleno de polvo. No dirija el aire de escape hacia las manos.
- Cuando se crea polvo o emanaciones, la prioridad deberá ser controlarlos en el punto de emisión.
- Todas las características integrales o accesorios para la recolección, extracción o supresión de polvo transportado en el aire o de emanaciones deben usarse correctamente y mantenerse de acuerdo con las instrucciones del fabricante.
- Siempre opere, inspeccione y mantenga esta herramienta de acuerdo con el American National Standards Instituto del Código de Seguridad de Herramientas portátiles de aire (ANSI B186.1) y cualquier otro código de seguridad y regulación aplicable.
- No haga funcionar la herramienta sin instalar un cubo en ella.
- NO salpique con ni sumerja en agua u otros líquidos.
- No incinere la unidad de batería, aunque esté completamente dañada o descargada. La unidad de batería puede explotar si se quema. Cuando se queman unidades de batería de iones de litio, se producen gases y materiales tóxicos.
- Si el contenido de la batería entra en contacto con la piel, lave el área de inmediato con agua y un jabón suave. Si el líquido de la batería entra en contacto con sus ojos, enjuáguelos con agua y los ojos abiertos por 15 minutos o hasta que cese la irritación. Si se requiere de asistencia médica, el electrolito de la batería está compuesto por una mezcla de carbonatos orgánicos líquidos y sales de litio.
- El contenido de los elementos abiertos de la batería puede causar irritación en el tracto respiratorio. Salga al aire fresco. Si los síntomas persisten, busque asistencia médica.
- Peligro de quemaduras. El líquido de la batería puede ser inflamable si se expone a chispas o llamas.
- Peligro de incendio. Nunca intente abrir la unidad de batería por ningún motivo. Si la caja exterior de la unidad de batería se triza o daña, no la introduzca en el cargador. No triture, deje caer o dañe la unidad de batería. No use una unidad de batería o un cargador que haya sido golpeado, dejado caer, atropellado o dañado en cualquier forma (por ejemplo, perforado por un clavo, golpeado con un martillo, pisado). Lleve sus unidades de batería dañadas al centro de servicio para que sean recicladas.
- Tenga en cuenta que los cambios o modificaciones no aprobados expresamente por la parte responsable de

asegurar el cumplimiento pueden anular la autoridad del usuario a poner en funcionamiento el equipo.

⚠ ADVERTENCIA: *Nunca modifique la herramienta eléctrica, ni tampoco ninguna de sus piezas. Podría producir lesiones corporales o daños.*

⚠ ATENCIÓN: *No fije la vista en la luz LED. Podrían producirse lesiones graves a la visión.*

3) SEGURIDAD ELÉCTRICA

- Los enchufes de la herramienta eléctrica deben adaptarse al tomacorriente. Nunca modifique el enchufe de ninguna manera. No utilice ningún enchufe adaptador con herramientas eléctricas con conexión a tierra. Los enchufes no modificados y que se adaptan a los tomacorrientes reducirán el riesgo de descarga eléctrica.
- No exponga las herramientas eléctricas a la lluvia o a condiciones de humedad. Si entra agua a una herramienta eléctrica, aumentará el riesgo de descarga eléctrica.
- No maltrate el cable. Nunca utilice el cable para transportar, tirar o desenchufar la herramienta eléctrica. Mantenga el cable alejado del calor, el aceite, los bordes filosos y las piezas móviles. Los cables dañados o enredados aumentan el riesgo de descarga eléctrica.
- Si el uso de una herramienta eléctrica en un lugar húmedo es imposible de evitar, utilice un suministro protegido con un interruptor de circuito por falla a tierra (GFCI). El uso de un GFCI reduce el riesgo de descargas eléctricas.
- Recargue solamente con el cargador especificado por el fabricante. Un cargador adecuado para un tipo de paquete de baterías puede originar riesgo de incendio si se utiliza con otro paquete de baterías.
- En condiciones abusivas, el líquido puede ser expulsado de la batería. Evite su contacto. Si entra en contacto accidentalmente, enjuague con agua. Si el líquido entra en contacto con los ojos, busque atención médica. El líquido expulsado de la batería puede provocar irritación o quemaduras.

4) INSTRUCCIONES ADICIONALES DE SEGURIDAD PARA EL MARTILLO NEUMÁTICO



- Use solo cubos y extensiones accesorios aptos para impacto recomendados para Mac Tools. Inspeccione los accesorios antes de usarlos. No use accesorios agrietados o dañados. No use cubos cromados, cubos de mano o cualquier otro accesorio que no sea apto para uso de impacto.
- La potencia de la herramienta es controlada por la presión ejercida en el gatillo. Sostenga firmemente la herramienta y presione el gatillo para operar.
- No use dados con desgaste excesivo en la cabeza motriz de entrada o de salida. Revise periódicamente el cuadrante de la llave de impacto. Asegúrese de que el dado, barra de extensión u otro aditamento quede asegurado firmemente antes de operar la herramienta.
- Al aflojar sujetadores asegúrese primero que haya suficiente espacio libre detrás de la herramienta para evitar que le atrape la mano. La herramienta se alejará de la junta roscada a medida que la tuerca o tornillo es aflojado y sale de la rosca, moviendo la herramienta con el sujetador. Asegúrese de mantener las manos lejos de los cubos al usar la herramienta.
- Ajuste firmemente el casquillo o el accesorio a la llave de impacto. Inspeccione el yunque y el anillo de retención de la herramienta antes de su uso. Los elementos que se pierdan o se dañen se deben reemplazar antes de usarla.
- Compruebe que el interruptor de avance/retroceso esté en la posición correcta para apretar o aflojar el sujetador.
- La tuerca/El perno puede enroscar utilizando el encastre impulsor de la herramienta. Para aflojar una unión, la herramienta se puede utilizar en la secuencia inversa.
- Se recomienda utilizar un accesorio de fijación de manguera roscado de acero templado (o material con resistencia al choque comparable) (Fig. 6).

5) USO Y MANTENIMIENTO DE LA HERRAMIENTA ELÉCTRICA

- Antes de usar la herramienta, compruebe que no haya una interacción peligrosa con el ambiente inmediato (gas explosivo, líquido inflamable o peligroso, tuberías desconocidas, fundas eléctricas o cables, etc.).
- Antes de conectar la herramienta a la entrada de aire, compruebe que el gatillo no esté bloqueado en la posición de encendido por un obstáculo.

- En caso de bloqueo, libere el gatillo y desconecte la herramienta de la red de aire comprimido.
- Verifique que la unidad donde se están realizando trabajos esté inmovilizada.
- Siempre opere, inspeccione y mantenga esta herramienta de acuerdo con todas las regulaciones (locales, estatales, federales y nacionales) que puedan ser de aplicación a herramientas neumáticas portátiles.
- Con miras a la seguridad, desempeño óptimo y máxima durabilidad de las partes, haga funcionar esta herramienta a 90 psig (6,2 bar/620 kPa) de presión máxima de aire en la admisión, con manguera de suministro de aire de 3/8" (10 mm) de diámetro interior.
- Siempre use aire limpio y seco. El polvo, las emanaciones corrosivas y la humedad excesiva pueden dañar el motor de una herramienta neumática.
- Si se supera la presión máxima de 90 psig (6.2 bar / 620 kPa) se corre peligro de velocidad excesiva, desgaste de la herramienta, rotura de piezas, mayor torsión o fuerza que puede destruir la herramienta y sus accesorios o la pieza de trabajo.
- Realice el mantenimiento de las herramientas neumáticas. Revise que no haya piezas en movimiento mal alineadas o trabadas, piezas rotas o cualquier otra situación que pueda afectar el funcionamiento de la herramienta eléctrica. Si encuentra daños, haga reparar la herramienta eléctrica antes de utilizarla. Se producen muchos accidentes a causa de las herramientas neumáticas que carecen de un mantenimiento adecuado.
- Utilice solamente accesorios clasificados para impacto recomendados por Mac Tools. Revise los accesorios antes de usarlos. No utilice accesorios agrietados o dañados. Simplemente porque el accesorio puede sujetarse a su herramienta eléctrica no garantiza un funcionamiento seguro.
- Utilice la herramienta eléctrica, los accesorios y las brocas de la herramienta, etc. de acuerdo con estas instrucciones y teniendo en cuenta las condiciones de trabajo y el trabajo que debe realizarse. El uso de la herramienta eléctrica para operaciones diferentes de aquéllas para las que fue diseñada podría originar una situación peligrosa.
- Asegúrese de que las chispas y la suciedad derivadas del uso no generen un peligro.
- La herramienta neumática debe colocarse y conectarse a la red de aire comprimido por medio de desconexiones rápidas para facilitar el apagado en caso de peligro.
- Cuando la vida de la herramienta ha caducado, se recomienda que se desensamble y desengrase, y que las partes se separen por material para que puedan reciclarse.
- Siempre apague el suministro de aire y desconecte la manguera de suministro de aire antes de instalar, retirar o ajustar cualquier accesorio de esta herramienta, o antes de realizar cualquier tarea de mantenimiento sobre esta herramienta.
- No utilice mangueras de aire y accesorios dañados, desgastados o deteriorados. No abuse de las mangueras o conectores.
- No lubrique las herramientas con líquidos inflamables o volátiles tales como queroseno, diésel o combustible para aviones.
- No retire las etiquetas. Inspeccione periódicamente las etiquetas para asegurarse de que todas las marcas sigan siendo legibles. Sustituya cualquier etiqueta dañada.
- No utilice la herramienta si el gatillo no enciende ni apaga la herramienta.
- No bloquee, enciente ni alambre el gatillo "on/off" (encendido/apagado) en la posición "on", ya que el gatillo debe estar libre para volver a la posición "off" al soltarlo.
- Asegúrese de que todas las mangueras y accesorios sean del tamaño correcto y estén bien apretados.
- Se recomienda el uso de un látigo de manguera. Un acoplador conectado directamente a la admisión de aire aumenta el volumen de la herramienta y disminuye su maniobrabilidad.
- Para un rendimiento máximo, el acoplador de aire en la pared debe ser del siguiente tamaño más grande que el acoplador de aire utilizado en la herramienta. El acoplador más cercano a la herramienta no debe ser menor que el tamaño apropiado de la manguera de suministro de aire.
- Use abrazaderas u otra forma práctica de sujetar y sustentar la pieza de trabajo a una plataforma estable. Sostener la pieza de trabajo con la mano o contra el cuerpo es inestable y puede ocasionar la pérdida de control.
- Cuando no se usa, desconecte la herramienta del suministro de aire para prevenir el uso accidental o no autorizado en ausencia del operador.
- No modifique ninguna parte/componente/accesorio de esta herramienta de ninguna manera.

- El filtro de malla de aire en la entrada de aire ocasionalmente se obstruye con suciedad, lo que bloquea el suministro de aire y disminuye el rendimiento de la herramienta. Si esto sucede, el filtro de malla de aire debe limpiarse.
- Guarde la herramienta eléctrica que no esté en uso fuera del alcance de los niños y no permita que otras personas no familiarizadas con ella o con estas instrucciones operen la herramienta. Las herramientas eléctricas son peligrosas si son operadas por usuarios no capacitados.
- Coloque la herramienta en el perno o la tuerca antes de encenderla. No apunte la herramienta ni se ponga a jugar mientras la está manipulando.
- No guarde ni use la herramienta y unidad de batería en lugares donde la temperatura pueda alcanzar o superar los 40 °C (104 °F), tales como cobertizos o construcciones de metal durante el verano). Almacene las unidades de batería en lugares frescos y secos para maximizar su vida útil.

INSTRUCCIONES IMPORTANTES DE SEGURIDAD PARA TODOS LOS CARGADORES DE BATERÍAS

GUARDE ESTAS INSTRUCCIONES: *Este manual contiene importantes instrucciones de funcionamiento y seguridad para cargadores de baterías.*

- Antes de usar el cargador, lea todas las instrucciones y las marcas de precaución en el cargador, el paquete de baterías y el producto que utiliza dicho paquete.

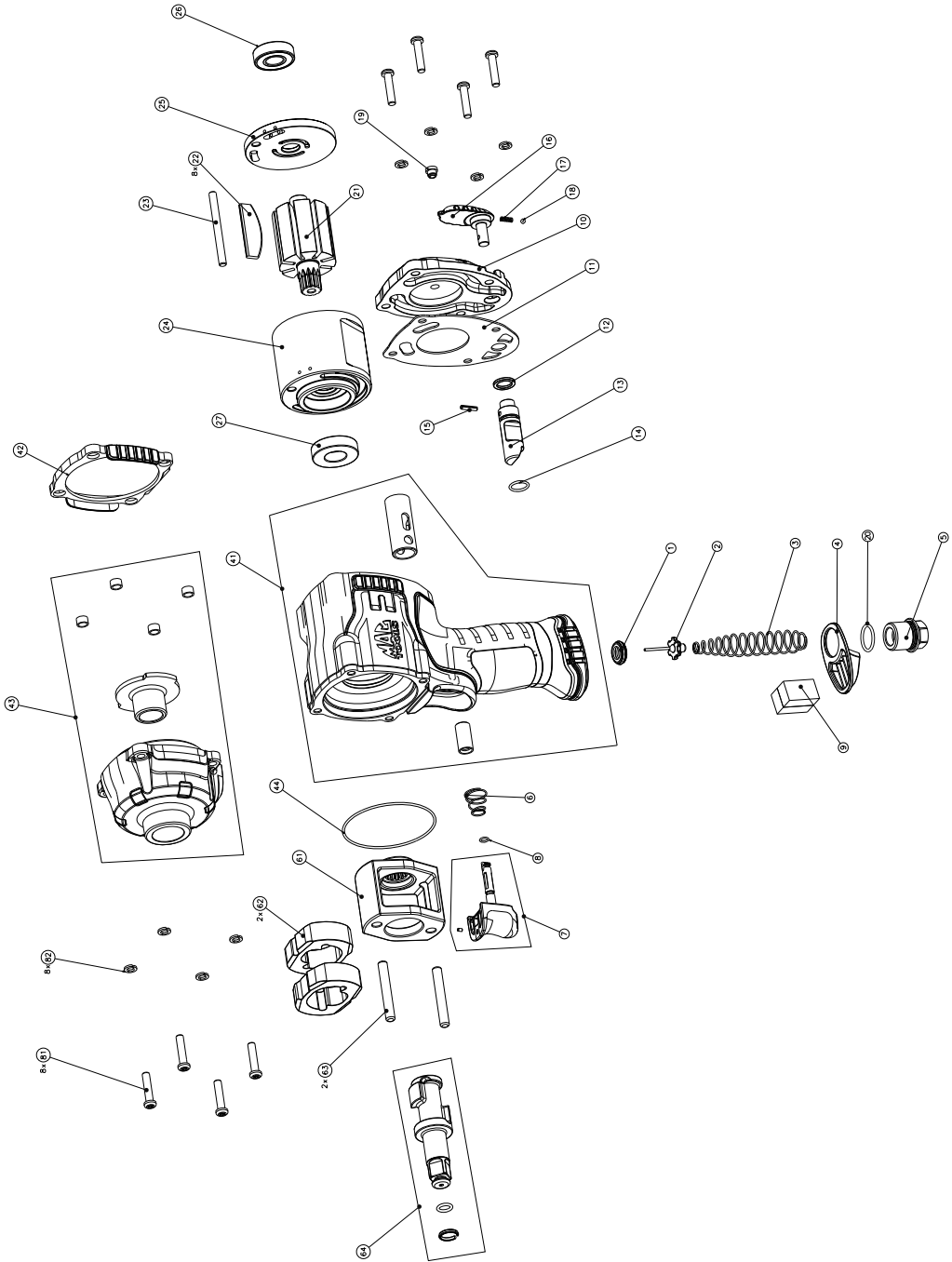
⚠ ADVERTENCIA: Peligro de descarga eléctrica. No permita que ningún líquido se introduzca en el cargador. Puede producir descargas eléctricas.

AVISO: Bajo ciertas condiciones, cuando el cargador está enchufado a una toma de corriente, el cargador puede hacer cortocircuito si entra en contacto con algún material ajeno. Los materiales ajenos de naturaleza conductora, como el polvo de esmerilado, las placas de metal, la lana de acero, el papel de aluminio y otros, o cualquier acumulación de partículas metálicas deberían mantenerse alejados de las cavidades del cargador. Desenchufe siempre el cargador cuando no haya una unidad de batería en su cavidad. Desenchufe el cargador antes de intentar limpiarlo.

- No intente cargar el accesorio de luz LED con otros cargadores que no sean de clase 2. Los cargadores de clase 2 y el accesorio de luz LED están diseñados específicamente para funcionar juntos.
- No exponga el cargador a la lluvia o a la nieve.
- Tire del enchufe y no del cable cuando desconecte el cargador. De esta forma se reduce el riesgo de daño al enchufe y cable.
- Asegúrese de que el cable no sea ubicado de manera que podría ser pisado, causar que alguien tropiece con él o ser expuesto a otro tipo de daños y desgastes.
- No use un alargador a menos que sea absolutamente necesario. El uso de un alargador incorrecto podría producir riesgo de incendios, descargas eléctricas o electrocución.
- Cuando opere un cargador al exterior, hágalo siempre en un lugar seco y use un alargador apropiado para uso al exterior. El uso de un alargador apropiado para uso al exterior reduce el riesgo de descarga eléctrica.
- No opere el cargador si ha recibido un golpe agudo, si se ha caído o si ha sido dañado de alguna otra forma. Llévelo a un centro de servicio autorizado.
- No desarme el cargador; llévelo a un centro de servicio autorizado cuando deba ser reparado. Si es reensamblado incorrectamente, puede causar descargas eléctricas, electrocución o incendios.
- Desenchufe el cargador antes de intentar limpiarlo. Esto reducirá el riesgo de descargas eléctricas. El retirar el paquete de baterías no reducirá este riesgo.
- NUNCA intente conectar 2 cargadores entre sí.
- El cargador está diseñado para operar con una corriente eléctrica estándar residencial de 120 V. No intente usarlo con ningún otro voltaje. Esto no aplica al cargador vehicular.

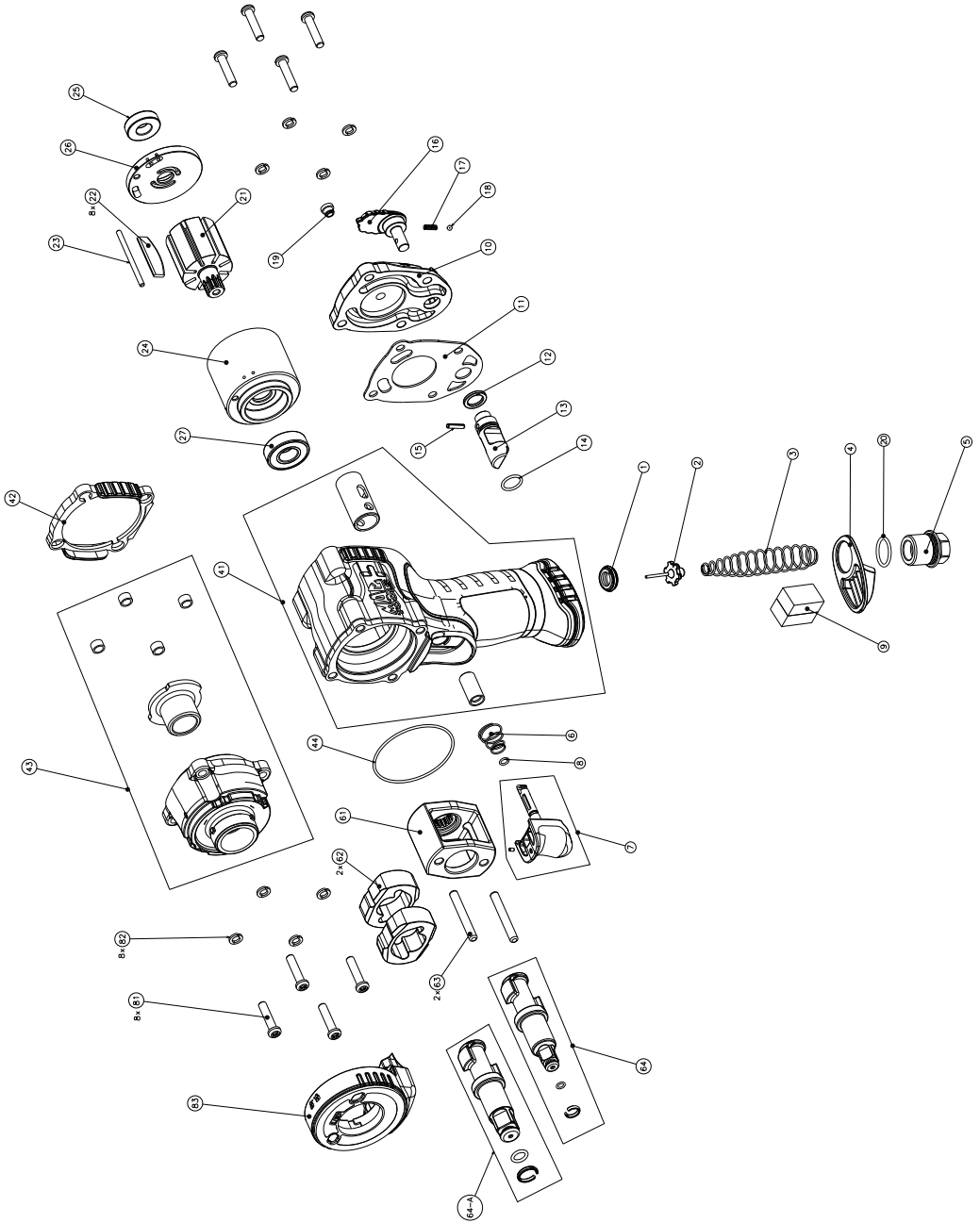
INTERRUPTOR DE GATILLO DE VELOCIDAD VARIABLE

Para encender la herramienta, apriete el interruptor tipo gatillo. Para apagar la herramienta, suelte el interruptor tipo gatillo. Cuando más apriete el gatillo, más rápido funcionará la herramienta.



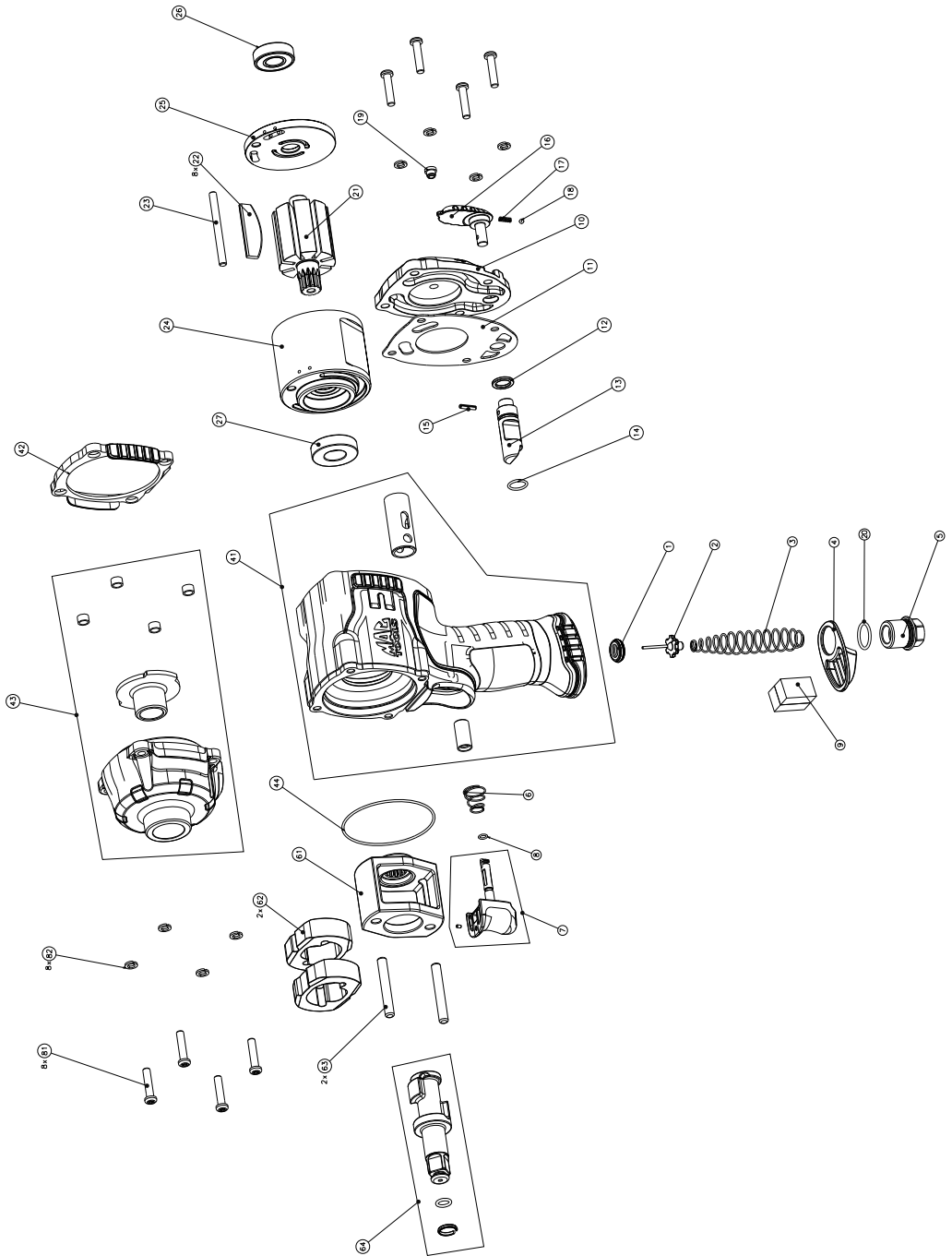
No. DE ARTICULO	No. DE PIEZA	DESCRIPCIÓN	CTD
1	MPF980381	LLAVE DE IMPACTO DE 9.5 MM	1
2	N539593	JUNTA	1
3	N463044	VÁLVULA DE ACELERACIÓN	1
4	N463048	RESORTE DE LA VÁLVULA DEL ACELERADOR	1
5	N471027	ESCAPE	1
6	N495010	ENTRADA DE AIRE	1
7	N496835	RESORTE DELANTERO DE INCLINACIÓN DEL GATILLO	1
8	N548975	GATILLO	1
9	N470999	JUNTA TÓRICA	1
10	N566303	FILTRO DEL	1
11	N497317	TAPA POSTERIOR	1
12	N488302	JUNTA DE TRASERO	1
13	N471020	SELLO DE GOMA DE LA VÁLVULA	1
14	N497986	VÁLVULA	1
15	N470994	JUNTA TÓRICA	1
16	N488303	CLAVIJA	1
17	N494372	PALETA PARA EL PULGAR	1
18	N471026	RESORTE DE LA VÁLVULA	1
19	N471025	RETÉN DE BOLA Ø3MM	1
20	N463039	ACCESORIO DE GRASA	1
21	86459	JUNTA TÓRICA	1
22	N471031	ROTOR	1
23	N573342	HOJA DEL ROTOR	8
24	N471017	ESPIGA	1
	N488315	CILINDRO	1

No. DE ARTICULO	No. DE PIEZA	DESCRIPCIÓN	CTD
25	N488319	PLACA DEL EXTREMO TRASERO	1
26	N461671	RODAMIENTO DE BOLA	1
27	N472554	RODAMIENTO DE BOLA	1
41	N533961	ENSAMBLAJE DE LA CARCASA	1
		CAMISA DE LA VÁLVULA	1
		CAMISA DEL GATILLO	1
42	N488301	JUNTA DELANTERO	1
43	N533950	CONJ. ESTUCHE PARA MARTILLO	1
		CUBIERTA	1
		ESPACIADOR	4
44	N554255	JUNTA TÓRICA	1
61	N471004	MARCO	1
62	N471003	MARTILLO	2
63	N471005	PASADOR	2
64	N527950	CONJUNTO DE YUNQUE DE 9.5 MM	1
		JUNTA TÓRICA	1
		ANILLO RANURADO	1
81	N470995	TORNILLO	8
82	N470996	ARANDELA	8

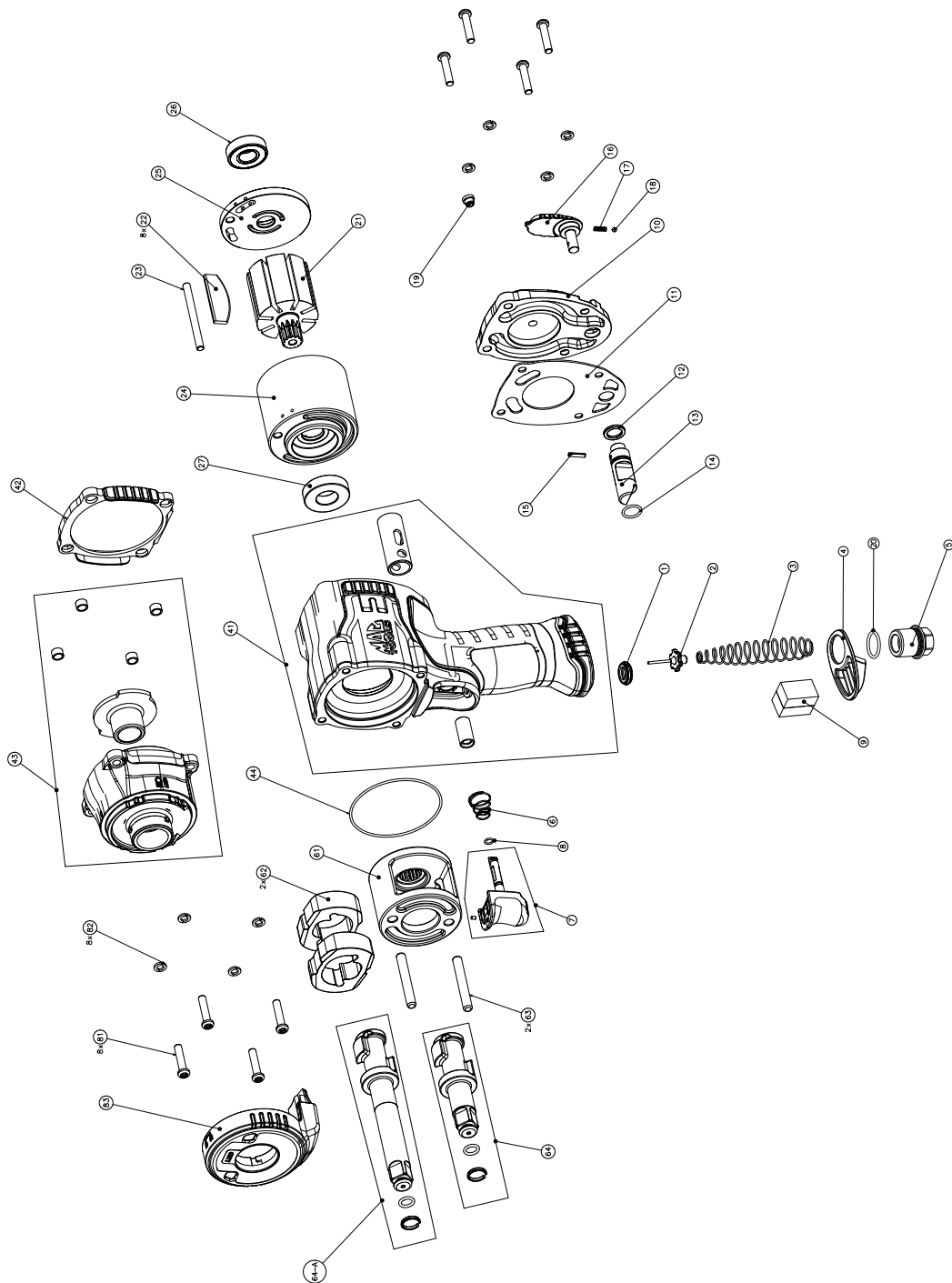


No. DE ARTÍCULO	No. DE PIEZA	DESCRIPCIÓN	CTD
	MPPF90381/ MPPF90501C	LLAVE DE IMPACTO DE ALTO RENDIMIENTO DE TRANSMISIÓN DE 9.5 MM LLAVE DE IMPACTO COMPACTA DE ALTO RENDIMIENTO DE TRANSMISIÓN DE 12.7 MM	
1	N539593	JUNTA	1
2	N463044	VÁLVULA DE ACELERACIÓN	1
3	N463048	RESORTE DE LA VÁLVULA DEL ACCELERADOR	1
4	N471027	ESCAPE	1
5	N495010	ENTRADA DE AIRE	1
6	N496835	RESORTE DELANTERO DE INCLINACIÓN DEL GATILLO	1
7	N548975	GATILLO	1
8	N470999	JUNTA TÓRICA	1
9	N566303	FILTRO DEL	1
10	N497317	TAPA POSTERIOR	1
11	N488302	JUNTA DE TRASERO	1
12	N471020	SELLO DE GOMA DE LA VÁLVULA	1
13	N497986	VÁLVULA	1
14	N470994	JUNTA TÓRICA	1
15	N488303	CLAVIJA	1
16	N494372	PALETA PARA EL PULGAR	1
17	N471026	RESORTE DE LA VÁLVULA	1
18	N471025	RETÉN DE BOLA Ø3MM	1
19	N463039	ACCESORIO DE GRASA	1
20	86459	JUNTA TÓRICA	1
21	N471006	ROTOR	1

No. DE ARTÍCULO	No. DE PIEZA	DESCRIPCIÓN	CTD
22	N573340	HOJA DEL ROTOR	8
23	N471017	ESPIGA	1
24	N488314	CILINDRO	1
25	N488319	PLACA DEL EXTREMO TRASERO	1
26	N461671	RODAMIENTO DE BOLA	1
27	N472554	RODAMIENTO DE BOLA	1
41	N533957	ENSAMBLAJE DE LA CARCASA	1
		CAMISA DE LA VÁLVULA	1
		CAMISA DEL GATILLO	1
42	N488301	JUNTA DELANTERO	1
43	N533949	CONJ. ESTUCHE PARA MARTILLO	1
		CUBIERTA	1
		ESPACIADOR	1
44	N554255	JUNTA TÓRICA	1
61	N471004	MARCO	1
62	N471003	MARTILLO	2
63	N471005	PASADOR	2
64	N527950	CONJUNTO DE YUNQUE DE 9.5 MM	1
		JUNTA TÓRICA	1
		ANILLO RANURADO	1
64-A	N527951	CONJUNTO DE YUNQUE DE 13 MM	1
		JUNTA TÓRICA	1
		ANILLO RANURADO	1
81	N470995	TORNILLO	8
82	N470996	ARANDELA	8
83	N516144	MÓDULO DE LUZ	1



No. DE ARTICULO	No. DE PIEZA	DESCRIPCIÓN	CTD	No. DE ARTICULO	No. DE PIEZA	DESCRIPCIÓN	CTD
	MPF980501	LLAVE DE IMPACTO DE 13 MM		21	N471034	ROTOR	1
1	N539593	JUNTA	1	22	N573341	HOJA DEL ROTOR	8
2	N463044	VÁLVULA DE ACELERACIÓN	1	23	N470989	ESPIGA	1
3	N463048	RESORTE DE LA VÁLVULA DEL ACELERADOR	1	24	N488312	CILINDRO	1
4	N471027	ESCAPE	1	25	N488317	PLACA DEL EXTREMO TRASERO	1
5	N495010	ENTRADA DE AIRE	1	26	N472554	RODAMIENTO DE BOLA	1
6	N496835	RESORTE DELANTERO DE INCLINACIÓN DEL GATILLO	1	27	N470976	RODAMIENTO DE BOLA	1
7	N548975	GATILLO	1	41	N533952	ENSAMBLAJE DE LA CARCASA	1
8	N470999	JUNTA TÓRICA	1			CAMISA DE LA VÁLVULA	1
9	N566303	FIELTRO DEL	1			CAMISA DEL GATILLO	1
10	N470981	TAPA POSTERIOR	1	42	N471021	JUNTA DELANTERO	1
11	N471022	JUNTA DE TRASERO	1	43	N533948	CONJ. ESTUCHE PARA MARTILLO	1
12	N471020	SELLO DE GOMA DE LA VÁLVULA	1			CUBIERTA	1
13	N488321	VÁLVULA	1			ESPACIADOR	1
14	N470994	JUNTA TÓRICA	1	44	N554257	JUNTA TÓRICA	1
15	N488303	CLAVIJA	1	61	N471033	MARCO	1
16	N488323	PALETA PARA EL PULGAR	1	62	N548966	MARTILLO	2
17	N471026	RESORTE DE LA VÁLVULA	1	63	N470969	PASADOR	2
18	N471025	RETÉN DE BOLA Ø3MM	1	64	N527948	CONJUNTO DE YUNQUE DE 13 MM	1
19	N463039	ACCESORIO DE GRASA	1			JUNTA TÓRICA	1
20	86459	JUNTA TÓRICA	1	81	N470995	ANILLO RANURADO	1
				82	N470996	TORNILLO	8
						ARANDELA	8



No. DE ARTÍCULO	No. DE PIEZA	DESCRIPCIÓN	CTD
23	N470989	ESPIGA	1
24	N488311	CILINDRO	1
25	N488317	PLACA DEL EXTREMO TRASERO	1
26	N472554	RODAMIENTO DE BOLA	1
27	N470976	RODAMIENTO DE BOLA	1
41	N533951	ENSAMBLAJE DE LA CARCASA	1
		CAMISA DE LA VÁLVULA	1
		CAMISA DEL GATILLO	1
42	N471021	JUNTA DELANTERO	1
43	N491765	CONJ. ESTUCHE PARA MARTILLO	1
		CUBIERTA	1
		ESPACIADOR	1
61	N470968	MARCO	1
62	N548966	MARTILLO	2
63	N470969	PASADOR	2
64	N527948	CONJUNTO DE YUNQUE DE 13 MM	1
		JUNTA TÓRICA	1
		ANILLO RANURADO	1
64-A	N527949	CONJUNTO DE YUNQUE DE 13 MM DE EXTENDIDO	1
		JUNTA TÓRICA	1
		ANILLO RANURADO	1
81	N470995	TORNILLO	8
82	N470996	ARANDELA	8
83	N494860	MÓDULO DE LUZ	1
86	N471020	SELLO DE GOMA DE LA VÁLVULA	1

No. DE ARTÍCULO	No. DE PIEZA	DESCRIPCIÓN	CTD
	MPPF990501/ MPPF992501	LLAVE DE IMPACTO DE ALTO RENDIMIENTO DE TRANSMISIÓN DE 13 MM LLAVE DE IMPACTO EXTENDIDO DE ALTO RENDIMIENTO DE TRANSMISIÓN DE 13 MM	
1	N539593	JUNTA	1
2	N463044	VÁLVULA DE ACELERACIÓN	1
3	N463048	RESORTE DE LA VÁLVULA DEL ACELERADOR	1
4	N471027	ESCAPE	1
5	N495010	ENTRADA DE AIRE	1
6	N496835	RESORTE DELANTERO DE INCLINACIÓN DEL GATILLO	1
7	N548975	GATILLO	1
8	N470999	JUNTA TÓRICA	1
9	N566303	FILTRO DEL	1
10	N470981	TAPA POSTERIOR	1
11	N471022	JUNTA DE TRASERO	1
12	N471020	SELLO DE GOMA DE LA VÁLVULA	1
13	N488321	VÁLVULA	1
14	N470994	JUNTA TÓRICA	1
15	N488303	CLAVIJA	1
16	N488323	PALETA PARA EL PULGAR	1
17	N471026	RESORTE DE LA VÁLVULA	1
18	N471025	RETÉN DE BOLA Ø3MM	1
19	N463039	ACCESORIO DE GRASA	1
20	86459	JUNTA TÓRICA	1
21	N470970	ROTOR	1
22	N573343	HOJA DEL ROTOR	8

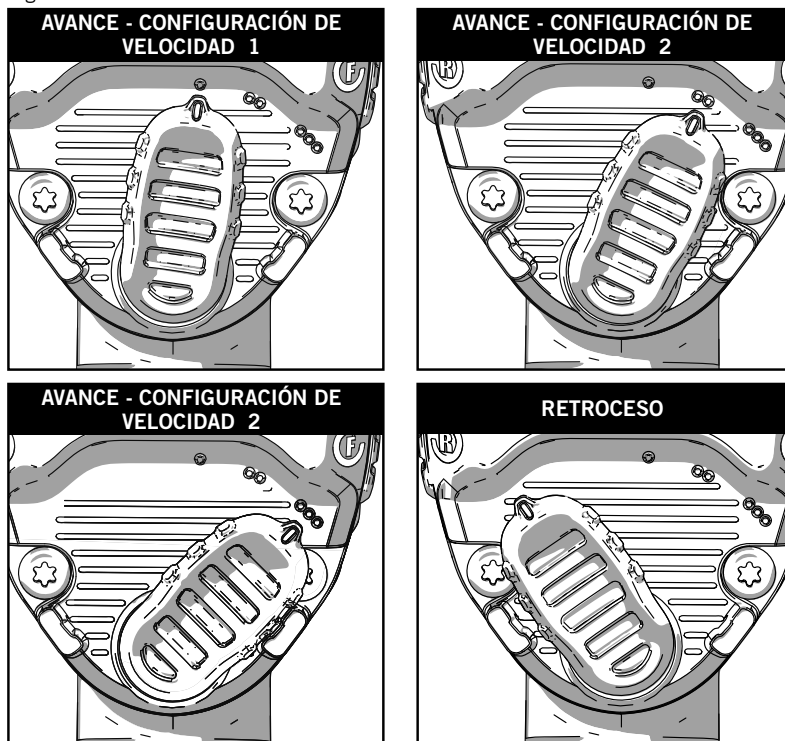
PERILLA DE AVANCE/RETROCESO Y DE CONTROL DE VELOCIDAD

El interruptor de avance/retroceso y de control de velocidad (Fig. 1) determina la dirección de la herramienta y también funciona como control de velocidad variable. Para seleccionar la rotación de avance de velocidad máxima, gire el interruptor hacia el lado derecho de la herramienta, tal como se muestra.

Para seleccionar el retroceso, gire el interruptor hacia el lado izquierdo de la herramienta, tal como se muestra. Tenga en cuenta que, el retroceso siempre funciona a potencia máxima.

Se puede ajustar la rotación de avance a una velocidad variable girando la palanca entre las tres configuraciones, tal como se muestra en la Fig. 1, el interruptor se detendrá en cada posición.

Fig. 1



ACCESORIO DE LUZ LED (se incluye con MPF990381, MPF990501, MPF992501 y MPF990501C)

⚠ ATENCIÓN: El accesorio de luz LED debe cargarse antes de usarse por primera vez. La luz LED no funcionará hasta que esté cargada. La luz LED se embala en modo de reposo, la carga activa la función de iluminación. (consulte la sección de carga a continuación)

Instalación y extracción de la luz LED

Extracción: Para extraer el accesorio de luz LED de la herramienta, gire el accesorio de luz LED en sentido antihorario, la luz LED emitirá un ruido a medida que gira. En la parte superior de la cúpula, el símbolo de desbloqueo se alineará con la marca cuando esté completamente desbloqueada. Aleje de la luz LED de la herramienta para quitarla. El puerto de carga está ubicado en el anverso del accesorio de luz LED (consulte la sección de carga a continuación).

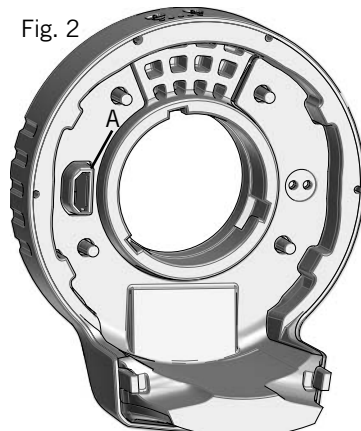
Instalación: Para instalar el accesorio de luz LED en la herramienta, alinee la marca de la parte superior de la cúpula con el símbolo de desbloqueo. Coloque el accesorio de luz LED en la cúpula hacia el anverso de la herramienta hasta que se detenga. LUEGO gire en sentido horario, el accesorio de luz LED emitirá un ruido a medida que gira y se bloquea en su lugar. La marca de la parte superior de la cúpula estará ahora alineada con el símbolo de bloqueo.

Carga: Para cargar la unidad, conecte el cable de carga USB al puerto de carga (A, Fig. 4) en la unidad y luego enchúfelo en un puerto USB apropiado. El adaptador de CA también se puede usar para cargar la unidad en un tomacorriente eléctrico estándar.

Se puede obtener una mayor vida útil y un mejor rendimiento si el paquete de baterías se carga cuando la temperatura ambiente se encuentra entre los 18 °C y 24 °C (65 °F a 75 °F). NO cargue el paquete de baterías si la temperatura ambiente es inferior de +40 °F (+4,5 °C) o superior a +105 °F (+40,5 °C). Esto es de importancia y evitará daños graves al paquete de baterías.

NOTA: Mientras la unidad se carga, la luz LED parpadeará de forma continua, indicando que el proceso de carga ha comenzado. Cuando la luz LED permanezca ENCENDIDA continuamente de forma atenuada, se habrá completado la carga. El paquete de baterías está cargado por completo y puede usarse en este momento o dejarse en el cargador. **NOTA:** Para obtener un rendimiento y vida útiles máximos de los paquetes de baterías de iones de litio, cargue el paquete de baterías por completo antes de usarlo. La luz LED se cargará por completo en 4 horas o menos.

Fig. 2





⚠ ATENCIÓN: No fije la vista en la luz LED. Podrían producirse lesiones graves a la visión.

- Hay dos luces LED ubicadas alrededor de la transmisión cuadrada. Las luces LED se activan cuando se presiona el interruptor del gatillo.
- Hay dos luces LED ubicadas alrededor de la transmisión cuadrada. Las luces LED se activan cuando se presiona el interruptor del gatillo

NOTA: La función de las luces LED es iluminar la superficie de trabajo cercana, no está diseñada para usarla como linterna.

INDICADOR DEL ESTADO DEL ADAPTADOR

Fig. 3

Estado de carga	
	Cargando — — — —
	carga completa —————

SERVICIO

- El servicio de la herramienta debe ser realizado por personal de reparación calificado, usando solo piezas de repuesto idénticas autorizadas por Mac Tools. Use solo lubricantes recomendados por Mac Tools.

MANTENIMIENTO

Lubricación

Las herramientas neumáticas requieren lubricación durante toda la vida útil de la herramienta.

El mecanismo del martillo neumático usa aire comprimido para accionar la herramienta. El aire comprimido contiene humedad que oxidará los componentes dentro de las herramientas; en consecuencia, se requiere lubricación a diario. Si no se lubrica correctamente la herramienta neumática, se reducirá drásticamente la vida útil de la herramienta y se anulará la garantía.

⚠ PRECAUCIÓN: Esta herramienta neumática requiere lubricación **ANTES** del uso inicial, y también antes y después de cada uso adicional.

Para lubricar la herramienta neumática manualmente:

1. Desconecte la herramienta de la fuente de suministro de aire, coloque la entrada de aire hacia arriba.
2. Oprima el gatillo y coloque alrededor de 5 a 10 gotas (0.25 a 0.5 ml) de aceite para herramientas neumáticas en la entrada de aire.

NOTA: Use aceite SAE con peso N.º 10 si el aceite para herramientas neumáticas no está disponible.

3. Quite el accesorio, conecte la herramienta a un suministro de aire, luego cubra el escape con una toalla y haga funcionar la herramienta de 2 a 3 segundos.

Cómo lubricar el mecanismo interno:

Busque el punto de engrase detrás de la herramienta. Inyecte 4 gramos de grasa de impacto aprobada para herramientas MAC en el punto cada 3 a 5 meses según el uso (Fig. 4).

⚠ ADVERTENCIA: Mantener fuera del alcance de los niños. Si se ingiere el aceite para herramientas neumáticas, no inducir el vómito, llamar a un médico de inmediato. Use la punta de boquilla para grasa de pistola recomendada (fig. 5) en el punto de engrase, una boquilla más pequeña o afilada dañará el rodamiento de engrase.

⚠ ADVERTENCIA: Todo aceite en exceso en la herramienta se expulsa de inmediato por el puerto de escape. Siempre dirija el puerto de escape en una dirección alejada de las personas o los objetos.

NOTA: Compruebe la velocidad y haga una comprobación simple del nivel de vibración después de cada servicio.

Almacenamiento:

La herramienta neumática debe lubricarse antes de almacenarla. Siga las instrucciones de "Lubricación" con excepción del paso 3.

Utilice siempre un lubricante de línea de aire con esta herramienta. No coloque demasiado aceite y no utilice aceite pesado ya que puede generar pérdida de velocidad y bajo rendimiento.

PARA PONER LA HERRAMIENTA EN SERVICIO

Fig. 6

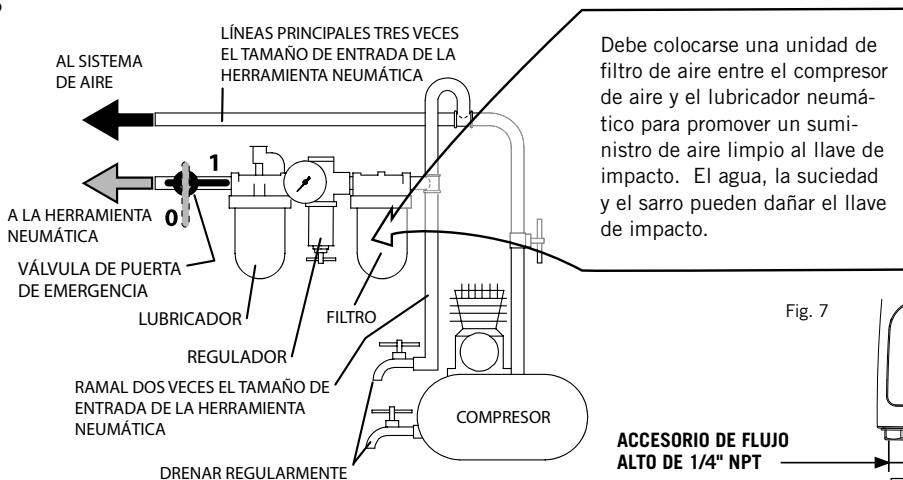


Fig. 7

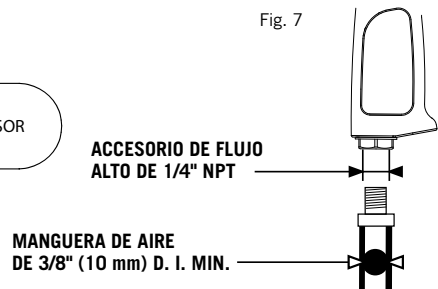


Fig. 4

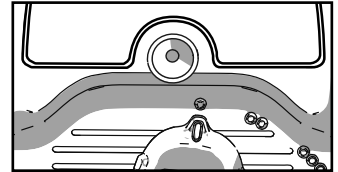
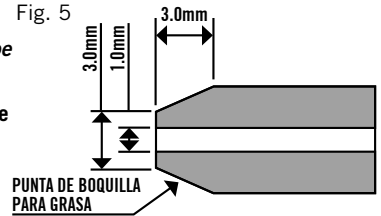


Fig. 5



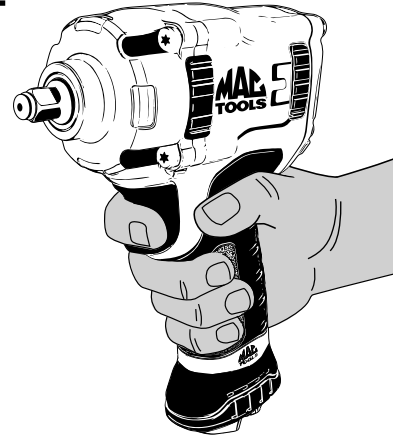
POSICION CORRECTA DE LAS MANOS

⚠ ADVERTENCIA

Fig. 8

⚠ **Advertencia:** Para reducir el riesgo de lesión personal grave, tenga SIEMPRE las manos en una posición adecuada como se muestra. (Fig. 8).

⚠ **Advertencia:** Para reducir el riesgo de sufrir una lesión personal grave, SIEMPRE sostenga de forma segura antes de una reacción repentina.



ESPECIFICACIONES

No. de modelo	Eje in / mm	Tasa de impacto bpm avance / retroceso	Par de Arranque lb-pie / Nm	Nivel de ruido (ISO 15744)			
				Pressure dB(A)		Power dB(A)	
MPF980381	.375 / 9.5	1300 / 1400	575 / 780	95	3*	107	3*
MPF980501	.5 / 13	1200 / 1300	1180 / 1600	93	3*	104	3*
MPF990381	.375 / 9.5	1300 / 1400	700 / 950	95	3*	107	3*
MPF990501	.5 / 13	1100 / 1200	1400 / 1898	94	3*	105	3*
MPF990501C	.5 / 13	1300 / 1400	700 / 950	95	3*	107	3*
MPF992501	.5 / 13	1100 / 1200	1400 / 1898	93	3*	104	3*

No. de modelo	Nivel de vibración (ISO 28927-2)		Consumo promedio de aire cfm / l/min	Presión de Trabajo psi / bar	Peso lbs / kg	Dimensiones in / mm
	m/s ²					
MPF980381	3.0	1.5**	5.9 / 167	90 / 6.2	2.8 / 1.3	5.6 x 2.5 x 7.8 / 143 x 62.5 x 197
MPF980501	6.2	2.5**	6.1 / 172	90 / 6.2	4.4 / 2	6.4 x 3 x 8.3 / 162 x 75.3 x 212
MPF990381	3.9	1.5**	5.9 / 167	90 / 6.2	3 / 1.4	5.6 x 2.5 x 7.8 / 143 x 62.5 x 197
MPF990501	6.4	2.2**	6.1 / 172	90 / 6.2	4.8 / 2.2	6.4 x 3 x 8.3 / 162 x 75.3 x 212
MPF990501C	3.9	1.5**	5.9/167	90 / 6.2	3 / 1.4	5.7 x 2.5 x 7.8 / 144 x 62.5 x 197
MPF992501	7.1	2.1**	6.1 / 172	90 / 6.2	5 / 2.3	8.3 x 3 x 8.3 / 212 x 75.3 x 212

* = incertidumbre de medición en dB(A)

** = incertidumbre de medición en m/seg²



El sello RBRC® (Rechargeable Battery Recycling Corporation) en las baterías (unidades de batería) de níquel cadmio, níquel e hidruro metálico o de iones de litio indica que el costo de reciclaje de estas baterías (o unidades de batería) al llegar al final de su vida de servicio ya ha sido pagado por Mac Tools. En algunas áreas, es ilegal depositar baterías de níquel cadmio, níquel e hidruro metálico o de iones de litio gastadas en la basura o la corriente de residuos

sólidos urbanos; el programa Call 2 Recycle® proporciona una alternativa ecológica.

Call 2 Recycle, Inc., en cooperación con Mac Tools y otros usuarios de baterías, han establecido programas en los Estados Unidos y Canadá para facilitar la recolección de baterías de níquel cadmio, níquel e hidruro metálico o de iones de litio gastadas. Al llevar sus baterías de níquel cadmio, níquel e hidruro metálico y de iones de litio gastadas a un centro de servicio autorizado por Mac Tools o al minorista local para que sean recicladas, ayuda a proteger el medio ambiente y a conservar recursos naturales. También puede comunicarse con el centro de reciclaje de su localidad para mayor información sobre dónde llevar sus baterías gastadas.

RBRC® es una marca comercial registrada de Call 2 Recycle, Inc.

CONFORMIDAD

Cet appareil est conforme à la norme CAN ICES-3(B)/NMB-3(B).

Cet appareil est conforme au paragraphe 15 du règlement du FCC et à la (aux) norme(s) RSS exempté(s) de licence d'Industrie Canada. Son utilisation est sujette aux deux conditions suivantes :

Ce dispositif ne doit pas causer d'interférences nuisibles; et

Ce dispositif doit accepter toute interférence reçue, y compris toute interférence pouvant causer un fonctionnement indésirable.

Cet équipement a été testé et jugé conforme aux limites propres aux appareils numériques de Classe B, conformément au Paragraphe 15 du règlement du FCC. Ces limites sont destinées à offrir une protection raisonnable contre les interférences nuisibles d'une installation résidentielle. Cet équipement produit, utilise et peut émettre des ondes radiofréquences qui, s'il n'est pas installé et utilisé conformément aux directives, pourront causer des interférences nuisibles aux communications radio. Cependant, en fonction des installations réalisées, l'absence d'interférences n'est pas garantie. Si cet équipement cause des interférences nuisibles à la réception radio ou télévision (ce qui peut être déterminé par la mise sous/hors tension de cet équipement) l'utilisateur est encouragé à tenter de corriger ces interférences en prenant l'une ou plusieurs des mesures suivantes :

Réorienter l'antenne de réception ou en changer l'emplacement.

Augmenter la distance entre l'équipement et le récepteur.

Brancher l'équipement à une prise située sur un circuit différent de celui sur lequel le récepteur est connecté.

Contactar un revendedor o consultar un técnico radio/telé calificado.

ARANTÍA LIMITADA

Garantizamos que esta herramienta estará libre de defectos de fabricación por un período por UN AÑO desde la fecha de compra original. Nuestra obligación para con el comprador original se limita a reparar o reemplazar, a nuestra costa (sin incluir gastos de envío) una herramienta defectuosa si es devuelta por el comprador original dentro del plazo por un año a partir de la fecha de compra, prepagados todos los gastos de envío entrantes.

ESTA GARANTÍA NO CUBRE DEFECTOS O DAÑOS A LA HERRAMIENTA (i) después de que expire el periodo de garantía, (ii) como resultado de uso inadecuado u operación anormal, (iii) como resultado de fallar en lubricar, mantener y operar la herramienta adecuadamente, o (iv) como resultado de cualquiera de los servicios de reparación o mantenimiento realizados por cualquier persona o entidad que no sea Mac Tools en todos los Centros de Servicio de Mac Tools o una persona autorizada por Mac Tools para ofrecer servicios de reparación y mantenimiento de esta herramienta. SE OTORGA ESTA GARANTÍA LIMITADA EN LUGAR DE TODAS LAS OTRAS, INCLUIDAS LA GARANTÍA IMPLÍCITA DE COMERCIABILIDAD O IDONEIDAD PARA UN PROPÓSITO EN PARTICULAR, Y EXCLUYE TODOS LOS DAÑOS INCIDENTALES O RESULTANTES. Algunos estados no permiten las limitaciones al plazo de una garantía implícita, o la exclusión o limitación de daños incidentales o resultantes, por lo que estas limitaciones pueden no ser de aplicación para usted. Esta garantía le proporciona derechos legales específicos y usted puede tener otros derechos que varían en ciertos estados o provincias.

SERVICIO A CLIENTES

Nosotros en Mac Tools estamos comprometidos con nuestros clientes, por favor diríjase al siguiente número de teléfono para ponerse en contacto con un de nuestros técnicos para clientes. Ellos estarán más que contentos en ayudarlo con cualquier otra pregunta del servicio y la garantía que pueda tener acerca su herramienta eléctrica.

MACTOOLS.COM | Mac Tools • 505 North Cleveland Avenue • Westerville, Ohio 43082 | 800.MACTOOLS

Mac Tools-Europe, Stanley Black & Decker Inc. • Unit 3, Europa Court
Sheffield Business Park • Sheffield, S9 1XE | 0114 2917266

DECLARACIÓN DE CONFORMIDAD DE LA CE

NOSOTROS, **MAC TOOLS**, EUROPE-STANLEY BLACK & DECKER, INC. EUROPA COURT, SHEFFIELD BUSINESS PARK, SHEFFIELD S9 1XE, UNITED KINGDOM DECLARAMOS BAJO NUESTRA PROPIA RESPONSABILIDAD QUE EL PRODUCTO Y **MPF980381 – LLAVE DE IMPACTO DE 9.5 MM, MPF980501 – LLAVE DE IMPACTO DE 13 MM, MPF990381 – LLAVE DE IMPACTO DE ALTO RENDIMIENTO DE TRANSMISIÓN DE 9.5 MM, MPF990501 – LLAVE DE IMPACTO DE ALTO RENDIMIENTO DE TRANSMISIÓN DE 13 MM, MPF990501C – LLAVE DE IMPACTO COMPACTA DE ALTO RENDIMIENTO DE TRANSMISIÓN DE 13 MM, y MPF992501 – LLAVE DE IMPACTO EXTENDIDO DE ALTO RENDIMIENTO DE TRANSMISIÓN DE 13 MM**

- ES DE CONFORMIDAD CON LA DIRECTIVA SOBRE MÁQUINAS 2006/42/EC

- Y ES EN CONFORMIDAD CON LAS PROVISIONES DEL ESTÁNDAR EUROPEO ARMONIZADO EN ISO 11148-6: 2012

EL ABAJO FIRMANTE ES RESPONSABLE DE LA COMPILACIÓN DEL ARCHIVO TÉCNICO Y HACE ESTA DECLARACIÓN EN NOMBRE DE LAS HERRAMIENTAS MAC.



Markus Rompel
Director de Ingeniería
25.04.2017

©2018 Mac Tools

Patente pendiente



**MPF980381, MPF980501,
MPF990381, MPF990501C,
MPF990501, MPF992501**
Guide D'utilisation



AVERTISSEMENT

Pour réduire tout risque de dommages corporels, lire et comprendre ces consignes et avertissements relatifs à la sécurité avant toute utilisation de l'outil. Conserver ces instructions avec l'outil pour toute future référence. En cas de questions, contacter un représentant **MAC TOOLS** ou l'un de ses distributeurs.

© 2018 Mac Tools

Clé à chocs de 9.5 mm | Clé à chocs de 13 mm | Clé à chocs pneumatique hautes performances à prise de 9.5 mm
Clé à chocs pneumatique hautes performances à prise de 13 mm
Clé à chocs pneumatique compacte hautes performances à prise de 13 mm
Clé à chocs pneumatique hautes performances à prise de 13 mm et enclume prolongée 50,8 mm

TABLE DES MATIÈRES

Introduction	45
Consignes de sécurité	46 - 51
Entretien	51 - 54
Caractéristiques techniques	55
Description de l'outil	56 - 63
Service clientèle	65

INTRODUCTION

Les clés à chocs **Mac Tools MPF980381, MPF980501, MPF990381, MPF990501C, MPF990501 et MPF992501** sont des outils de grande précision conçus pour l'entraînement, le serrage et le desserrage des fixations filetées, habituellement des écrous et des boulons, lorsqu'elles sont équipées d'une douille à chocs appropriée. Ces outils assurent un service efficace et fiable s'ils sont utilisés correctement et avec soin. Ces outils fournira des services efficaces et fiables dans la mesure où il sera utilisé correctement et avec précaution. Comme pour tout outil électrique de précision, pour des performances optimales, suivre les instructions du fabricant. Il est recommandé d'étudier ce guide d'utilisation avant toute utilisation de l'outil et d'en comprendre les consignes et avertissements relatifs à la sécurité. Les instructions d'installation, d'utilisation et de maintenance doivent être lues attentivement, et les guides d'utilisation conservés pour référence. REMARQUE : des mesures de sécurité additionnelles pourraient être requises pour une utilisation particulière de l'outil. Pour toute question relative à cet outil et à son utilisation, contacter votre distributeur **Mac Tools**.

MACTOOLS.COM | Mac Tools • 505 North Cleveland Avenue • Westerville, Ohio 43082 | 800.MACTOOLS

Mac Tools-Europe, Stanley Black & Decker Inc. • Unit 3, Europa Court
Sheffield Business Park • Sheffield, S9 1XE | 0114 2917266

Définitions : symboles et termes d'alarmes sécurité

Ces guides d'utilisation utilisent les symboles et termes d'alarmes sécurité suivants pour vous prévenir de situations dangereuses et de risques de dommages corporels ou matériels.

▲ DANGER : indique une situation dangereuse imminente qui, si elle n'est pas évitée, **entraînera la mort ou des blessures graves**.

▲ AVERTISSEMENT : indique une situation potentiellement dangereuse qui, si elle n'est pas évitée, **pourrait entraîner des blessures légères ou modérées**.

▲ ATTENTION : indique une situation potentiellement dangereuse qui, si elle n'est pas évitée, **pourrait entraîner des blessures légères ou modérées**.

▲ (Si utilisé sans aucun terme) Indique un message propre à la sécurité.

AVIS : indique une pratique ne posant **aucun risque de dommages** corporels mais qui par contre, si rien n'est fait pour l'éviter, **pourrait poser des risques de dommages matériels**.

L'étiquette apposée sur votre outil peut inclure les symboles suivants. Les symboles et leur définition sont indiqués ci-après :

V volts

Hz hertz

min minutes

— or DC courant continu

Ⓛ fabrication classe I (mis à la terre)

.../min par minute

BPM battements par minute

IPM impacts par minute

RPM revolutions per minute

sfp pieds linéaires par minute
(plpm)

SPM (FPM) fréquence par minute

A ampères

W watts

~ or AC courant alternatif

⎓ or AC/DC ..courant alternatif ou continu

- fabrication classe II (double isolation)
- no vitesse à vide
- n vitesse nominale
- ⊕..... borne de terre
- ▲..... symbole d'avertissement

- ⚠..... radiation visible
- ☙..... protection respiratoire
- 👁..... protection oculaire
- 👂..... protection auditive
- 📖..... lire toute la documentation
- 🚫..... ne pas incinérer

⚠ AVERTISSEMENT

CONSIGNES DE SÉCURITÉ IMPORTANTES CI-INCLUSES. LIRE CE GUIDE D'UTILISATION AVANT TOUTE UTILISATION DE L'OUTIL.
CONSERVEZ POUR RÉFÉRENCE FUTURE

RISQUES DE DOMMAGES CORPORELS EN CAS DE NON-RESPECT DE CES DIRECTIVES.



Ne pas utiliser de tuyaux ou raccords endommagés, détériorés ou fissurés.



Les outils à air comprimé peuvent vibrer pendant leur utilisation. Les vibrations, actions répétitives ou positions inconfortables peuvent être nocives pour les bras et les mains. Discontinuer l'utilisation de l'outil en cas d'inconfort, de picotements ou de douleurs. Consulter un médecin avant d'en reprendre l'utilisation.



Ne pas transporter l'outil par son tuyau à air.



Maintenir une posture équilibrée et ferme. Ne pas effectuer de travaux hors de portée avec cet outil.



Arrêter l'arrivée d'air et déconnecter le tuyau d'air comprimé avant d'installer, de retirer ou d'ajuster tout accessoire sur cet outil, ou avant d'effectuer toute maintenance sur l'outil.



Utilisez des équipements de protection tels que lunettes, gants, chaussures de sécurité, ainsi que de la protection acoustique. Restez vigilant, faites preuve de bon sens et soyez prudent lors de l'utilisation de l'outil.



Portez toujours une protection oculaire ANSI Z87.1 CAN CSA Z94.3 ou pour l'Europe, une protection oculaire présentant la marque CE adéquate lors de l'utilisation ou de l'entretien sur cet outil.



Portez toujours une protection respiratoire adéquate lors de l'utilisation de l'outil.



Utiliser à une pression d'air maximum de 6,2 bars/620 kPa (90 psi).



N'ajoutez pas trop d'huile ni de produits pétroliers lourds puisque cela pourrait entraîner un calage ou un faible rendement.

CONSIGNES DE SÉCURITÉ

⚠ AVERTISSEMENT! Lire tous les avertissements de sécurité et toutes les directives. Le non-respect des avertissements et des directives pourrait se solder par un choc électrique, un incendie et/ou une blessure grave.

Porter un équipement de protection individuelle. Utiliser un masque facial, des lunettes de sécurité ou des lunettes protectrices en fonction de l'application. Au besoin, porter un masque antipoussières, des protecteurs auditifs, des gants et un tablier d'atelier capable d'arrêter de petits fragments d'abrasifs ou de pièces. La protection oculaire doit être en mesure d'arrêter tout débris produit par les diverses opérations et le masque antipoussières ou le respirateur, de filtrer les particules produites par l'opération en cours. Une exposition prolongée à un bruit d'intensité élevée pourrait causer une perte auditive. Les lunettes courantes NE sont PAS des lunettes de protection. Utiliser aussi un masque antipoussières si la découpe doit en produire beaucoup. PORTER SYSTÉMATIQUEMENT UN ÉQUIPEMENT DE SÉCURITÉ HOMOLOGUÉ :

- Protection oculaire ANSI Z87.1 (CAN/CSA Z94.3) ;
- Protection auditive ANSI S12.6 (S3.19) ;
- Protection des voies respiratoires NIOSH/OSHA/MSHA.

1) SÉCURITÉ DU LIEU DE TRAVAIL

- Tenir l'aire de travail propre et bien éclairée. Les lieux encombrés ou sombres sont propices aux accidents. Faire attention à ce qui vous entoure, aux surfaces glissantes créées par l'utilisation de cet outil et aussi au risque de chute provoqué par les conduites d'air.
- Ne pas faire fonctionner d'outils pneumatiques dans un milieu déflagrant, tel qu'en présence de liquides, de gaz ou de poussières inflammables. Les outils pneumatiques produisent des étincelles qui pourraient enflammer la poussière ou les vapeurs.
- Ne pas utiliser dans des conditions humides.
- Éloigner les enfants et les personnes à proximité pendant l'utilisation d'un outil électrique. Une distraction pourrait en faire perdre la maîtrise à l'utilisateur.

2) SÉCURITÉ PERSONNELLE

- Être vigilant, surveiller le travail effectué et faire preuve de jugement lorsqu'un outil électrique est utilisé. Ne pas utiliser d'outil électrique en cas de fatigue ou sous l'influence de drogues, d'alcool ou de médicaments. Un simple moment d'inattention en utilisant un outil électrique peut entraîner des blessures corporelles graves
- Empêcher les démarrages intempestifs. S'assurer que l'interrupteur se trouve à la position d'arrêt avant de relier l'outil à une source d'alimentation et/ou d'insérer un bloc-piles, de ramasser ou de transporter l'outil. Transporter un outil électrique alors que le doigt repose sur l'interrupteur ou brancher un outil électrique dont l'interrupteur est à la position de marche risque de provoquer un accident
- Une exposition à des niveaux de bruit élevés peut entraîner une perte auditive permanente et d'autres problèmes tels que l'acouphène (tintement, bourdonnement ou sifflement dans les oreilles). Par conséquent, l'évaluation des risques et la mise en œuvre de contrôles adéquats de ces dangers sont essentielles. Les contrôles adéquats pour la réduction de ce risque peuvent comprendre des mesures telles que l'utilisation de matériaux amortisseurs pour empêcher les pièces de résonner.
- S'habiller de manière appropriée. Ne pas porter de vêtements amples ni de bijoux. Garder les cheveux, les vêtements et les gants à l'écart des pièces mobiles. Les vêtements amples, les gants avec revêtement en caoutchouc ou renforcés avec du métal, les gants avec doigts coupés ou effilochés ainsi que les bijoux ou cheveux longs peuvent être pris dans des pièces mobiles.
- Gardez les mains et les autres parties du corps, les vêtements amples et les cheveux longs loin de l'extrémité mobile de l'outil.
- Anticiper et être prêt à tout changement soudain de course lors du démarrage et du fonctionnement de tous les outils pneumatiques
- Les opérateurs et le personnel d'entretien doivent être physiquement en mesure de traiter le volume, le poids et la puissance de l'outil.
- Maintenir une posture équilibrée et ferme. Ne pas effectuer de travaux hors de portée avec cet outil
- Ne pas utiliser cet outil de façon prolongée. Les vibrations causées par l'outil peuvent être nocives pour les mains ou les bras. Tenir l'outil de manière légère mais néanmoins sécuritairement, tout en tenant compte des forces de réaction de la main requises. Discontinuer l'utilisation de l'outil en cas d'inconfort, de picotements ou de douleurs. Consulter un médecin avant d'en reprendre l'utilisation.
- Cet outil n'est pas isolé contre les décharges électriques, le contact avec un fil sous tension engendre également la mise sous tension des surfaces métalliques.
- Pour les États-Unis : Certaines poussières produites par les travaux de ponçage, de sciage, de meulage, de perçage, d'écaillage et autres contiennent des produits chimiques reconnus par l'État de la Californie pour causer le cancer, des anomalies congénitales ou d'autres problèmes liés aux fonctions reproductrices. Exemples de substances chimiques :
 - plomb provenant de peintures à base de plomb;
 - silice cristallisée issue des briques, du ciment et autres produits de maçonnerie, ainsi que
 - arsenic et chrome provenant de bois traité chimiquement.

Le risque d'exposition dépend de votre fréquence de travail sur ce type d'activité.

Pour minimiser vos risques d'exposition, il est conseillé de : travailler dans une zone bien ventilée, et de travailler avec du matériel de sécurité approuvé, tels que des masques anti-poussière, conçus spécialement pour filtrer les particules microscopiques

- De par la poussière créée lors de l'utilisation de l'outil, l'évaluation des risques et la mise en œuvre de contrôles adéquats de ces dangers sont essentielles.
- Les accessoires et les outils peuvent devenir chauds en cours de fonctionnement. Pour les toucher, porter des gants. S'assurer que l'outil n'est pas en marche lors du changement des accessoires.
- L'outil ne doit pas être utilisé en présence de tiers. Toute personne qui entre dans l'aire de travail doit porter de l'équipement de protection personnelle. Des fragments de matériaux ou d'accessoires brisés peuvent être

- projetés au-delà de l'aire immédiate de travail et causer des blessures.
- Ne dirigez jamais l'air sur vous-même ou quelqu'un d'autre, ou des blessures graves pourraient en résulter.
 - Portez des vêtements chauds chaque fois que vous travaillez dans des conditions froides et gardez vos mains au sec et au chaud.
 - Le fouettage de tuyaux peut causer des blessures graves. Assurez-vous toujours que les tuyaux et les raccords ne sont pas lâches ou endommagés.
 - Éviter le contact prolongé avec la poussière provenant du ponçage, du sciage, du meulage et du forage mécanique ainsi que d'autres activités de construction. Porter des vêtements de protection et laver les parties exposées au savon et à l'eau. La poussière qui pourrait pénétrer dans la bouche et les yeux ou se déposer sur la peau peut favoriser l'absorption de produits chimiques nocifs.
 - Cet outil peut produire et répandre de la poussière susceptible de causer des dommages sérieux et permanents au système respiratoire. Toujours utiliser un appareil respiratoire anti-poussières approuvé par le NIOSH ou l'OSHA. Diriger les particules dans le sens opposé du visage et du corps..
 - Ranger les outils électriques hors de la portée des enfants et ne permettre à aucune personne n'étant pas familière avec un outil électrique ou son mode d'emploi d'utiliser cet outil. Les outils électriques deviennent dangereux entre les mains d'utilisateurs inexpérimentés.
 - Ce produit est susceptible de contenir une ou plusieurs substances chimiques reconnues par l'État de la Californie comme facteurs potentiels de cancer et de malformations congénitales ou d'autres dommages reproducteurs. Se laver soigneusement les mains après toute manipulation.
 - Ne laissez pas les enfants toucher à l'outil. Les opérateurs inexpérimentés doivent être supervisés lorsqu'ils utilisent cet outil.
 - Ne pas modifier cette scie. Les modifications peuvent réduire l'efficacité des mesures de sécurité et augmenter les risques pour l'utilisateur.
 - Ne jetez pas les consignes de sécurité; donnez-les à l'opérateur.
 - N'utilisez pas l'outil s'il a été endommagé.
 - Soyez conscient que le bris de la pièce ou des accessoires, ou même de l'outil lui-même peut générer des projectiles à grande vitesse.
 - Ce produit n'est pas destiné à être utilisé par des personnes (y compris les enfants) souffrant de capacités physiques, sensorielles ou mentales réduites; d'un manque d'expérience, de connaissances ou de compétences à moins qu'elles soient supervisées par une personne responsable de leur sécurité. Les enfants ne doivent jamais être laissés seuls avec ce produit. Cet outil et ses accessoires doivent être utilisés en conformité avec ces instructions. L'utiliser à d'autres fins peut causer un risque de danger pour les personnes et l'environnement.
 - Seuls le personnel qualifié et les opérateurs formés doivent installer, ajuster ou utiliser l'outil.
 - Pour les travaux situés au-dessus du niveau de la tête, portez un casque de sécurité.
 - Dirigez l'échappement afin de réduire au minimum la perturbation de poussière dans un environnement rempli de poussière. Ne pas diriger l'échappement de l'air vers les mains.
 - Aux endroits où il y a présence de poussière ou de vapeurs, la priorité doit être accordée au contrôle du point d'émission.
 - Tous les éléments intégrés ou les accessoires pour la collecte, l'extraction ou la suppression de la poussière ou de la fumée en suspension doivent être correctement utilisés et entretenus conformément aux instructions du fabricant.
 - Toujours faire fonctionner, inspecter et entretenir cet outil conformément au code de l'American National Standards Institut du code de sécurité pour les outils pneumatiques portatifs (ANSI B186-1) ainsi que les autres codes et règlements de sécurité applicables.
 - Ne laissez pas l'outil fonctionner librement si une douille est installée dessus.
 - NE PAS éclabousser le bloc-piles ou l'immerger dans l'eau ou dans tout autre liquide.
 - Ne pas incinérer le bloc-piles même s'il est sévèrement endommagé ou complètement usagé, car il pourrait exploser et causer un incendie. Pendant l'incinération des blocs-piles au lithium-ion, des vapeurs et matières toxiques sont dégagées.
 - En cas de contact du liquide de la pile avec la peau, rincer immédiatement au savon doux et à l'eau. En cas de contact oculaire, rincer l'œil ouvert à l'eau claire une quinzaine de minutes ou jusqu'à ce que l'irritation cesse. Si des soins médicaux s'avéraient nécessaires, noter que l'électrolyte de la pile est composé d'un mélange de carbonates organiques liquides et de sels de lithium.
 - Le contenu des cellules d'une pile ouverte peut causer une irritation respiratoire. En cas d'inhalation, exposer l'individu à l'air libre. Si les symptômes persistent, consulter un médecin.
 - Risques de brûlure. Le liquide de la pile peut s'enflammer s'il est exposé à des étincelles ou à

une flamme.

- Risques d'incendie. Ne jamais tenter d'ouvrir le bloc-piles pour quelque raison que ce soit. Si le boîtier du bloc-piles est fissuré ou endommagé, ne pas l'insérer dans un chargeur. Ne pas écraser, laisser tomber, ou endommager les blocs-piles. Ne pas utiliser un bloc-piles ou un chargeur qui a reçu un choc violent, ou si l'appareil est tombé, a été écrasé ou endommagé de quelque façon que ce soit (p. ex. percé par un clou, frappé d'un coup de marteau, piétiné).
- Veuillez noter que les changements ou les modifications qui ne sont pas expressément approuvés par l'institution responsable de la conformité peuvent annuler le droit de l'utilisateur d'utiliser ce matériel.

⚠ AVERTISSEMENT : Ne jamais modifier l'outil électrique ni aucun de ses composants, car il y a risques de dommages corporels ou matériels.

⚠ ATENCIÓN: No fije la vista en la luz LED. Podrían producirse lesiones graves a la visión.

3) SÉCURITÉ EN MATIÈRE D'ÉLECTRICITÉ

- Les fiches des outils électriques doivent correspondre à la prise. Ne jamais modifier la fiche d'aucune façon. Ne jamais utiliser de fiche d'adaptation avec un outil électrique mis à la terre. Le risque de choc électrique sera réduit par l'utilisation de fiches non modifiées correspondant à la prise.
- Ne pas exposer les outils électriques à la pluie ou à l'humidité. La pénétration de l'eau dans un outil électrique augmente le risque de choc électrique.
- Ne pas utiliser le cordon de façon abusive. Ne jamais utiliser le cordon pour transporter, tirer ou débrancher un outil électrique. Tenir le cordon éloigné de la chaleur, de l'huile, des bords tranchants et des pièces mobiles. Les cordons endommagés ou enchevêtrés augmentent les risques de choc électrique.
- S'il est impossible d'éviter l'utilisation d'un outil électrique dans un endroit humide, brancher l'outil dans une prise ou sur un circuit d'alimentation dotés d'un disjoncteur de fuite à la terre (GFCI). L'utilisation de ce type de disjoncteur réduit les risques de choc électrique.
- Ne recharger l'outil qu'au moyen du chargeur précisé par le fabricant. L'utilisation d'un chargeur qui convient à un type de bloc-piles risque de provoquer un incendie s'il est utilisé avec un autre type de bloc-piles.
- En cas d'utilisation abusive, le liquide peut gicler hors du bloc-piles; éviter tout contact avec ce liquide. Si un contact accidentel se produit, laver à grande eau. Si le liquide entre en contact avec les yeux, obtenir également des soins médicaux. Le liquide qui gicle hors du bloc-piles peut provoquer des irritations ou des brûlures.

4) CONSIGNES DE SÉCURITÉ ADDITIONNELLES POUR LES CLÉS À CHOCS

- N'utilisez que des douilles et des rallonges d'outils à chocs recommandées par Mac Tools. Examinez les accessoires avant de les utiliser. N'utilisez pas d'accessoires fissurés ou endommagés. N'utilisez pas de douilles chromées, de douilles pour clés à main ni aucun autre accessoire qui n'est pas conçu pour l'utilisation avec un outil à chocs.
- L'alimentation de l'outil est contrôlée par la pression exercée sur la gâchette, saisissez fermement l'outil et appuyez sur la gâchette pour l'utiliser.
- Ne pas utiliser les douilles très usées sur les prises d'entraînement ou de sortie. Vérifiez périodiquement le carré d'entraînement sur la clé à choc. S'assurer que la douille, la rallonge ou autre accessoire est bien assujéti avant d'utiliser l'outil.
- Pour desserrer les fixations, s'assurer qu'il y a suffisamment d'espace derrière l'outil pour éviter de se coincer les mains. L'outil s'éloigne du joint fileté lorsque l'écrou ou le boulon est desserré et remonte le fil, déplaçant l'outil dans son mouvement. Assurez-vous que vos mains sont tenues à l'écart des douilles lorsque vous utilisez l'outil.
- Fixer la douille ou l'accessoire solidement sur la clé à chocs. Examinez l'enclume et la bague de roulement de l'outil avant de l'utiliser. Les éléments endommagés ou manquants doivent être remplacés avant l'utilisation.
- S'assurer que l'interrupteur avant/arrière est à la position appropriée pour visser ou dévisser l'attache.
- L'écrou ou le boulon peut ensuite être vissé sur le filetage à l'aide de l'entraînement de l'outil. L'outil peut être utilisé sur la position Inverser pour dévisser un joint.
- Il est recommandé d'utiliser un raccord de tuyau fileté en acier trempé (ou un autre matériau doté d'une résistance aux chocs comparable) (Fig 5).

5) UTILISATION ET ENTRETIEN D'UN OUTIL ÉLECTRIQUE

- Avant de faire fonctionner l'outil, assurez-vous qu'il n'y a pas d'interaction dangereuse avec l'environnement immédiat (des gaz explosifs, inflammables ou du liquide dangereux, des canalisations inconnues, du revêtement ou de l'isolation de câbles électriques, du câble, etc.).
- Avant de brancher l'outil à l'entrée d'air, assurez-vous que la gâchette n'est pas bloquée en position de fonctionnement par un obstacle.
- En cas de blocage, relâchez la gâchette et déconnectez l'outil du réseau d'air comprimé.
- Assurez-vous que l'unité sur laquelle le travail est effectué est immobilisée.
- Utilisez, inspectez et entretenez toujours cet outil en conformité avec tous les règlements (locaux, provinciaux, fédéraux et du pays), qui peuvent s'appliquer aux outils pneumatiques actionnés/utilisés à la main.
- Pour votre sécurité, des performances optimales et une durée de vie maximale des pièces, utiliser cet outil à une pression d'air maximum de 6,2 bars/620 kPa (90 psi) à l'arrivée d'un tuyau à air de 10 mm (3/8 po) de diamètre interne.
- Utilisez toujours de l'air propre et sec. La poussière, les vapeurs corrosives et/ou l'humidité excessive peuvent ruiner le moteur d'un outil pneumatique.
- Dépasser la pression maximale de 90 psi (6.2 bar/620 kPa) entraîne le risque de danger comme la vitesse excessive, l'usure de l'outil, la rupture de pièces, un couple plus élevé ou une puissance qui peut détruire l'outil et ses accessoires ou la pièce travaillée.
- Entretien des outils pneumatiques. Vérifier si les pièces mobiles sont mal alignées ou coincées, si des pièces sont brisées ou présentent toute autre condition susceptible de nuire au bon fonctionnement de l'outil électrique. En cas de dommage, faire réparer l'outil électrique avant toute nouvelle utilisation. Beaucoup d'accidents sont causés par des outils pneumatiques mal entretenus.
- Utiliser exclusivement des accessoires à percussion recommandés par Mac Tools. Inspecter les accessoires avant toute utilisation. Ne pas utiliser d'accessoires fissurés ou endommagés. En effet, il est parfois possible de fixer un accessoire à l'outil électrique; toutefois, cela ne garantit pas une utilisation sécuritaire.
- Utiliser l'outil électrique, les accessoires, les forets, etc. conformément aux présentes directives en tenant compte des conditions de travail et du travail à effectuer. L'utilisation d'un outil électrique pour toute opération autre que celle pour laquelle il a été conçu est dangereuse.
- S'assurer que les étincelles et les débris provenant de l'utilisation ne présentent pas de dangers.
- L'outil pneumatique doit être raccordé au réseau d'air comprimé par l'intermédiaire de raccords à débranchement rapide pour faciliter l'arrêt en cas de danger.
- Lorsque la durée de vie utile de l'outil a expiré, il est recommandé que l'outil soit démonté, dégraissé et que les pièces soient séparées par matériaux afin qu'elles puissent être recyclées.
- Arrêter l'arrivée d'air et déconnecter le tuyau d'air comprimé avant d'installer, de retirer ou d'ajuster tout accessoire sur cet outil, ou avant d'effectuer toute maintenance sur l'outil.
- Ne pas utiliser de tuyaux ou raccords endommagés, détériorés ou fissurés. N'utilisez pas de manière abusive les tuyaux ou les raccords.
- Ne pas lubrifier les outils avec des liquides inflammables ou volatils tels que kérosène, diesel ou carburacteur.
- Ne retirer aucune étiquette. Inspecter de manière périodique les étiquettes pour s'assurer que toutes les inscriptions sont toujours lisibles. Remplacer toute étiquette endommagée.
- N'utilisez pas l'outil si sa gâchette ne permet pas de le mettre en marche et de l'arrêter.
- Ne bloquez et ne fixez pas à l'aide de ruban ou de fils la gâchette "marche/arrêt" en position "marche", la gâchette doit pouvoir retourner librement à la position "arrêt" lorsqu'elle est relâchée.
- S'assurer que tout tuyau ou raccord est de la taille correcte et soigneusement arimé
- L'utilisation d'un tuyau flexible est recommandée. Un coupleur directement connecté à une embouchure d'air augmentera la masse de l'outil et diminuera sa maniabilité.
- Pour optimiser les performances, le coupleur à air mural devrait être de la taille tout de suite supérieure au coupleur à air utilisé avec l'outil. Le coupleur le plus proche de l'outil ne devrait pas être inférieur à la taille correcte du tuyau à air comprimé.
- Sécurisez et fixez la pièce à travailler sur une surface stable à l'aide d'un serre-joint ou de tout autre outil. Il est déconseillé de tenir la pièce à la main ou contre le corps pour des raisons d'instabilité, pouvant aller jusqu'à une perte de contrôle.
- Lorsque non utilisé, déconnectez l'outil de l'alimentation d'air pour prévenir l'utilisation non autorisée ou accidentelle en l'absence de l'opérateur.
- Ne pas altérer les pièces, les composantes ou les accessoires de cet outil, d'aucune façon que ce soit.
- Des débris obstruent parfois le filtre d'aspiration à tamis au niveau de l'entrée d'air, ce qui bloque l'alimentation d'air et diminue les performances de l'outil. Si cela se produit, il faut nettoyer le filtre d'aspiration à tamis.

- Ranger les outils électriques hors de la portée des enfants et ne permettre à aucune personne n'étant pas familière avec un outil électrique ou son mode d'emploi d'utiliser cet outil. Les outils électriques deviennent dangereux entre les mains d'utilisateurs inexpérimentés.
- Placez l'outil sur le boulon ou l'écrou avant de le mettre en marche. Ne pointez pas ou ne vous livrez pas à des jeux brutaux avec cet outil.
- Ne pas entreposer ou utiliser l'appareil et le bloc-piles en présence de températures ambiantes pouvant excéder 40 °C (104 °F) (comme dans des hangars ou des bâtiments métalliques l'été). Pour préserver leur durée de vie, entreposer les blocs-piles dans un endroit frais et sec.

UTILISATION ET ENTRETIEN D'UN OUTIL ÉLECTRIQUE

CONSERVER CES DIRECTIVES : *Ce manuel contient des directives de sécurité et d'utilisation importantes propres aux chargeurs de batteries.*

- Avant d'utiliser le chargeur, lire toutes les directives et tous les avertissements figurant sur le chargeur, le bloc-piles et le produit utilisé avec le bloc-piles.

⚠ AVERTISSEMENT : *risques de chocs électriques. Ne laisser aucun liquide pénétrer dans le chargeur, des chocs électriques pourraient en résulter.*

AVIS : *sous certaines conditions, lorsque le chargeur est connecté au bloc d'alimentation, des matériaux étrangers pourraient court-circuiter le chargeur. Les corps étrangers conducteurs tels que (mais pas limité à) poussières de rectification, débris métalliques, laine d'acier, feuilles d'aluminium, ou toute accumulation de particules métalliques doivent être maintenus à distance des orifices du chargeur. Débrancher systématiquement le chargeur lorsque le bloc-piles n'y est pas inséré. Débrancher systématiquement le chargeur avant tout entretien.*

- NE PAS essayer de recharger l'accessoire de lumière DEL avec un chargeur autre que ceux de catégorie 2. Les chargeurs de catégorie 2 et l'accessoire de lumière DEL sont conçus spécialement pour fonctionner ensemble.
- Protéger le chargeur de la pluie ou de la neige.
- Tirer sur la fiche plutôt que sur le cordon pour débrancher le chargeur. Cela permet de réduire les risques d'endommager la fiche ou le cordon d'alimentation.
- S'assurer que le cordon est protégé de manière à ce que personne ne marche ni ne trébuche dessus, ou à ce qu'il ne soit ni endommagé ni soumis à aucune tension.
- N'utiliser une rallonge qu'en cas de nécessité absolue. L'utilisation d'une rallonge inadéquate comporte des risques d'incendie, de chocs électriques ou d'électrocution.
- Pour utiliser un chargeur à l'extérieur, le placer dans un endroit sec et utiliser une rallonge conçue pour l'extérieur. L'utilisation d'une rallonge conçue pour l'extérieur réduit les risques de chocs électriques.
- Ne pas utiliser le chargeur s'il a reçu un coup, fait une chute ou a été endommagé de quelque façon que ce soit. Le ramener dans un centre de réparation agréé.
- Ne pas démonter le chargeur. Pour tout service ou réparation, le rapporter dans un centre de réparation agréé. Le fait de le réassembler de façon incorrecte comporte des risques de chocs électriques, d'électrocution et d'incendie.
- Débrancher le chargeur du secteur avant tout entretien. Cela réduira tout risque de chocs électriques. Le fait de retirer le bloc-piles ne réduira pas ces risques.
- NE JAMAIS tenter de connecter 2 chargeurs ensemble.
- Le chargeur a été conçu pour être alimenté en courant électrique domestique standard de 120 volts. Ne pas tenter de l'utiliser avec toute autre tension. Cela ne s'applique pas aux chargeurs de postes mobiles.

GÂCHETTE À VITESSE VARIABLE

Pour mettre l'outil en marche, appuyez sur la gâchette (A). Pour arrêter l'outil, relâchez la gâchette. Votre outil est équipé d'un frein. Plus vous appuyez sur la gâchette, plus l'outil tourne rapidement.

DE COMMANDE DE VITESSE ET DE MARCHÉ AVANT/ARRIÈRE

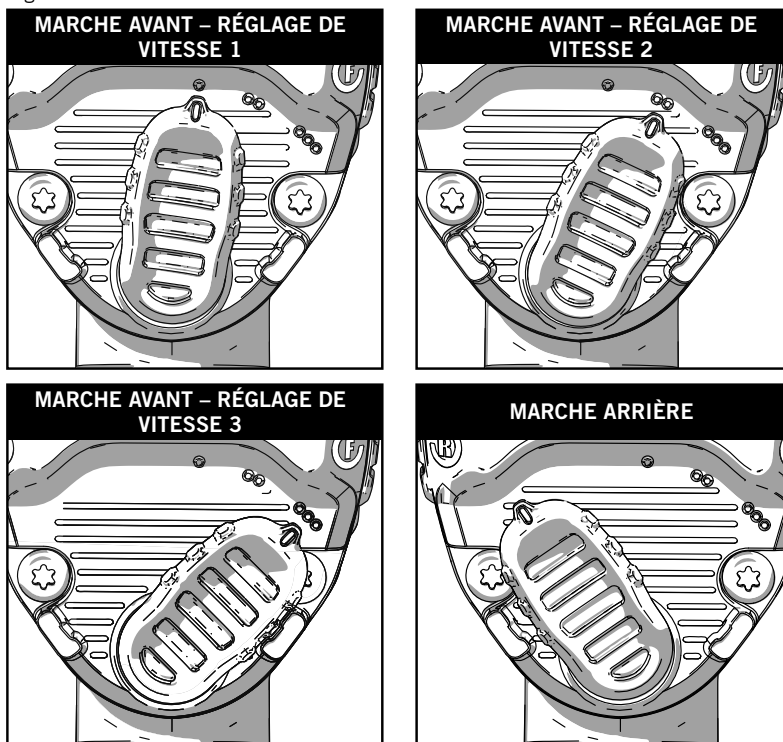
Le bouton de commande de vitesse et de marche avant/arrière (Fig. 1) détermine le sens de fonctionnement de l'outil et sert également de commande de vitesse variable. Pour choisir la marche avant à pleine vitesse, tourner le

bouton tout à droite de l'outil comme il est illustré.

Pour choisir la marche arrière, tourner le bouton tout à gauche de l'outil comme il est illustré. Noter que la marche arrière est toujours à pleine puissance.

Il est possible d'ajuster la vitesse de la marche avant en tournant le levier sur une des trois positions, comme il est illustré à la Fig. 1; le bouton s'arrêtera à chaque position.

Fig. 1



ACCESSOIRE DE LUMIÈRE DEL (inclus avec les modèles MPF990381, MPF990501, MPF992501 et MPF990501C)

ATTENTION: L'accessoire de lumière DEL doit être chargé avant la première utilisation. La lumière DEL ne fonctionnera pas avant d'être chargée. La lumière DEL est livrée en mode veille; la recharge active la fonction d'éclairage. (voir la section sur la recharge ci-dessous)

Installation et dépose de la lumière DEL

Dépose : Pour enlever l'accessoire de lumière DEL de l'outil, tourner l'accessoire dans le sens antihoraire. La lumière DEL émet un déclic lorsqu'elle tourne. Sur le cône de nez, le symbole de déverrouillage s'aligne sur le symbole dièse lorsqu'il est entièrement déverrouillé. Tirer l'accessoire de lumière DEL directement de l'outil pour l'ôter. Le port de recharge se situe au dos de l'accessoire de lumière DEL (voir la section sur la recharge ci-dessous).

Installation : Pour installer l'accessoire de lumière DEL sur l'outil, aligner le symbole dièse sur le symbole de déverrouillage se trouvant sur le cône de nez. Placer l'accessoire de lumière DEL sur le cône de nez vers l'arrière de l'outil jusqu'à ce qu'il s'arrête. Tourner ENSUITE dans le sens horaire. L'accessoire de lumière DEL émet un déclic lorsqu'il tourne et se verrouille en place. Le symbole dièse sur le cône de nez est maintenant aligné sur le symbole de verrouillage.

Recharge : Pour recharger l'unité, connecter le câble de recharge USB à la prise de recharge (A, Fig. 4) situé sur l'appareil, puis le brancher sur une prise USB appropriée. L'adaptateur CA sert également à recharger l'unité par une prise de courant standard.

Pour prolonger la durée de vie du bloc-piles et optimiser son rendement, le charger à une température entre 18 et 24 °C (65 et 75 °F). NE PAS charger le bloc-piles à des températures inférieures à 4,5 °C (40 °F) ou supérieures à 40,5 °C (105 °F). Ces consignes sont importantes et permettent d'éviter d'endommager gravement le bloc-piles.

REMARQUE : Lorsque l'unité se recharge, la lumière DEL clignote continuellement pour indiquer que la recharge a débuté. La fin de la recharge sera indiquée par la lumière DEL qui demeurera allumée à faible intensité. Le bloc-piles est pleinement rechargé et peut être alors utilisé ou laissé dans le chargeur. **REMARQUE :** Pour optimiser le rendement et la durée de vie du bloc-piles au lithium-ion, le charger entièrement avant la première utilisation. La lumière DEL se recharge complètement en 4 heures ou moins.



⚠ ATTENTION : Ne pas fixer la lumière DEL du regard. Il peut en résulter des blessures graves aux yeux.

Il y a deux lumières DEL situées autour de la prise carrée. Les lumières DEL s'activent lorsqu'on appuie sur la gâchette.

- Sur la version nord-américaine, la lumière DEL reste illuminée pendant cinq secondes lorsqu'on relâche la gâchette. Si on continue d'appuyer sur la gâchette, la lumière DEL demeure activée.
- Sur la version britannique, les lumières DEL se désactivent après une activation de 20 secondes.

REMARQUE : Les lumières DEL permettent d'éclairer la surface de travail immédiate et ne sont pas destinées à servir de lampe de poche.

INDICATEURS D'ÉTAT DE L'ADAPTATEUR

État de recharge	
	charge — — — —
	entièrement rechargé —————

ENTRETEIN

- L'entretien de l'outil doit être effectué par un personnel qualifié de réparation, en utilisant uniquement des pièces de rechange identiques autorisées par Mac Tools. N'utilisez que des lubrifiants recommandés par Mac Tools.

MAINTENANCE

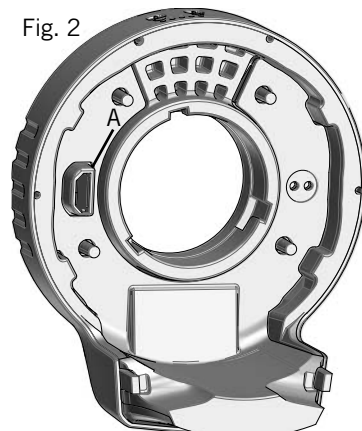
Lubrification

Les outils pneumatiques doivent être lubrifiés pendant toute la durée de vie utile des outils.

Le mécanisme du marteau pneumatique utilise l'air comprimé pour alimenter l'outil. L'air comprimé contient de l'humidité qui rouillera les composants à l'intérieur des outils, par conséquent la lubrification est nécessaire tous les jours. Le défaut de ne pas lubrifier l'outil pneumatique correctement va considérablement réduire la durée de vie utile de l'outil et annulera la garantie

⚠ MISE EN GARDE : Cet outil pneumatique exige une lubrification **AVANT** la première utilisation, également avant et après chaque utilisation.

Fig. 2



Pour lubrifier l'outil pneumatique manuellement :

1. Déconnectez l'outil de la source d'alimentation d'air, placez ensuite l'entrée d'air vers le haut.
2. Appuyez sur la gâchette et mettez environ 5 à 10 gouttes (0.25 à 0.5 ml) d'huile pour outil pneumatique dans l'entrée d'air.

REMARQUE : Utilisez l'huile de poids n° 10 SAE si de l'huile pour outil pneumatique n'est pas disponible.

3. Retirez l'accessoire, connectez l'outil à une source d'air, puis couvrez l'extrémité d'échappement avec une serviette et faites fonctionner l'outil pendant 2 à 3 secondes.

Pour lubrifier le mécanisme interne :

Localiser le raccord de graissage à l'arrière de l'outil. Injectez 4 grammes de graisse pour outils à chocs approuvée par MAC Tools dans le raccord à tous les 3 à 6 mois selon l'utilisation.

⚠ AVERTISSEMENT: Gardez hors de la portée des enfants. Si de l'huile à outil pneumatique est ingérée, ne pas faire vomir, appeler un médecin immédiatement. Utiliser l'embout de pistolet à graisse recommandé (fig. 5) sur l'embout de graissage; un embout trop petit ou pointu peut endommager le roulement à billes de l'embout de graissage.

⚠ AVERTISSEMENT: L'excès d'huile dans l'outil est immédiatement expulsé de l'orifice d'échappement. Dirigez toujours l'orifice d'échappement loin des personnes ou des objets.

REMARQUE : Vérifier la vitesse et faire une vérification simple du niveau de vibration après chaque utilisation.

Rangement :

L'outil pneumatique doit être lubrifié avant d'être rangé. Suivez les instructions "Lubrification", à l'exception de l'étape 3.

Utiliser systématiquement un lubrificateur pour ligne d'air avec cet outil. N'ajoutez pas trop d'huile ni de produits pétroliers lourds puisque cela pourrait entraîner un calage ou un faible rendement.

MISE EN SERVICE DE L'OUTIL

Fig. 6

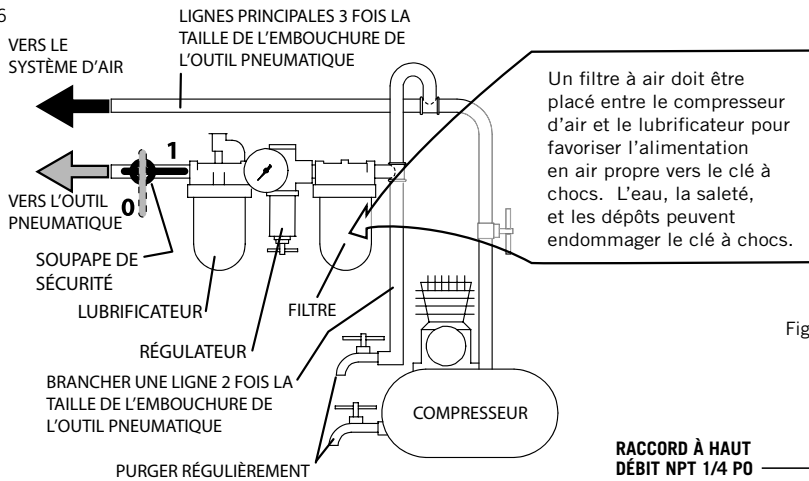


Fig. 7

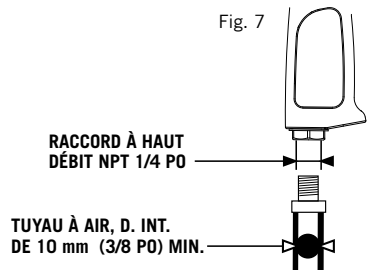


Fig. 4

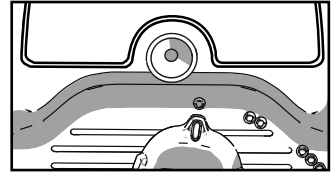
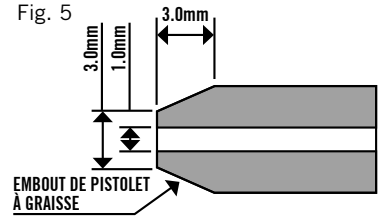


Fig. 5



POSITIONNEMENT ADEQUAT DES MAINS

⚠ AVERTISSEMENT

⚠ **Avertissement:** Pour réduire tout risque de dommages corporels graves, adopter SYSTÉMATIQUEMENT la position des mains illustrée. (Fig. 8).

⚠ **Avertissement:** Pour réduire le risque de blessures corporelles graves, TOUJOURS tenir l'outil fermement en prévision d'une réaction soudaine.

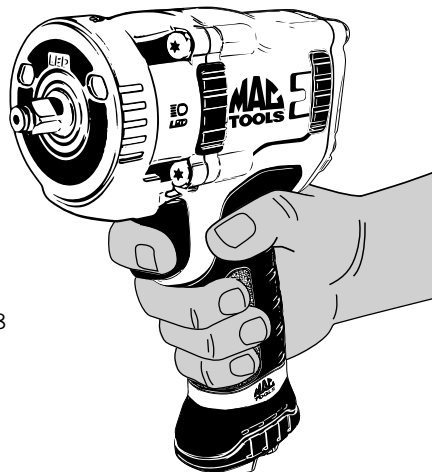


Fig. 8

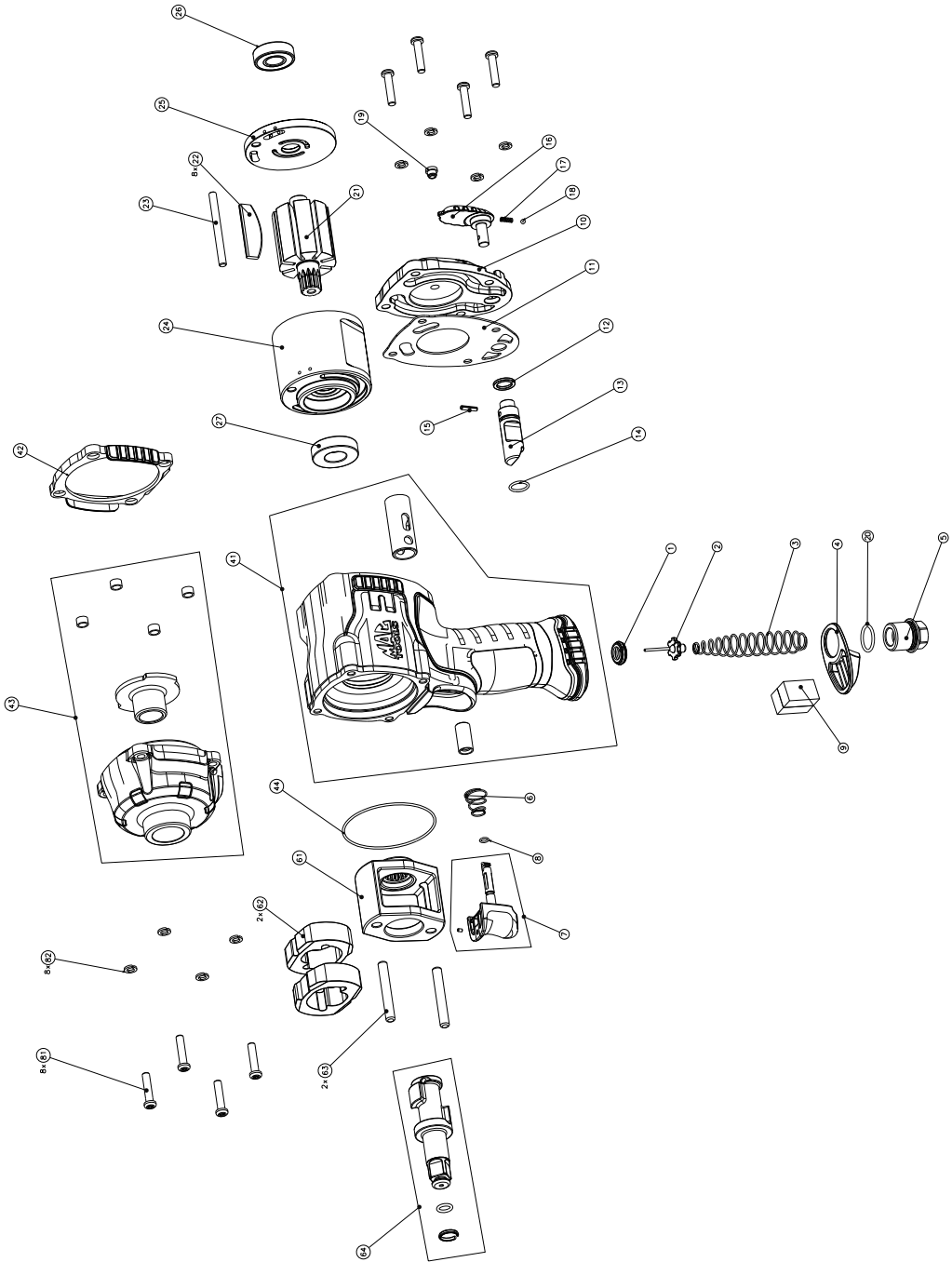
CARACTÉRISTIQUES TECHNIQUES

Modèle n°	Prise carrée in / mm	Taux d'impact bpm avant/arrière	Couple de démarrage ft-lbs / Nm	Niveau de bruit (ISO 15744)			
				Pression dB(A)		Puissance dB(A)	
MPF980381	.375 / 9.5	1300 / 1400	575 / 780	95	3*	107	3*
MPF980501	.5 / 13	1200 / 1300	1180 / 1600	93	3*	104	3*
MPF990381	.375 / 9.5	1300 / 1400	700 / 950	95	3*	107	3*
MPF990501	.5 / 13	1100 / 1200	1400 / 1898	94	3*	105	3*
MPF990501C	.5 / 13	1300 / 1400	700 / 950	95	3*	107	3*
MPF992501	.5 / 13	1100 / 1200	1400 / 1898	93	3*	104	3*

Modèle n°	Niveau de vibrations (ISO 28927-2)		Consommation moyenne d'air cfm / l/min	Pression de service psi / bar	Poids lbs / kg	Dimensions in / mm	
	m/s ²						
MPF980381	3.0	1.5**	5.9 / 167	90 / 6.2	2.8 / 1.3	5.6 x 2.5 x 7.8 / 143 x 62.5 x 197	
MPF980501	6.2	2.5**	6.1 / 172	90 / 6.2	4.4 / 2	6.4 x 3 x 8.3 / 162 x 75.3 x 212	
MPF990381	3.9	1.5**	5.9 / 167	90 / 6.2	3 / 1.4	5.6 x 2.5 x 7.8 / 143 x 62.5 x 197	
MPF990501	6.4	2.2**	6.1 / 172	90 / 6.2	4.8 / 2.2	6.4 x 3 x 8.3 / 162 x 75.3 x 212	
MPF990501C	3.9	1.5**	5.9/167	90 / 6.2	3 / 1.4	5.7 x 2.5 x 7.8 / 144 x 62.5 x 197	
MPF992501	7.1	2.1**	6.1 / 172	90 / 6.2	5 / 2.3	8.3 x 3 x 8.3 / 212 x 75.3 x 212	

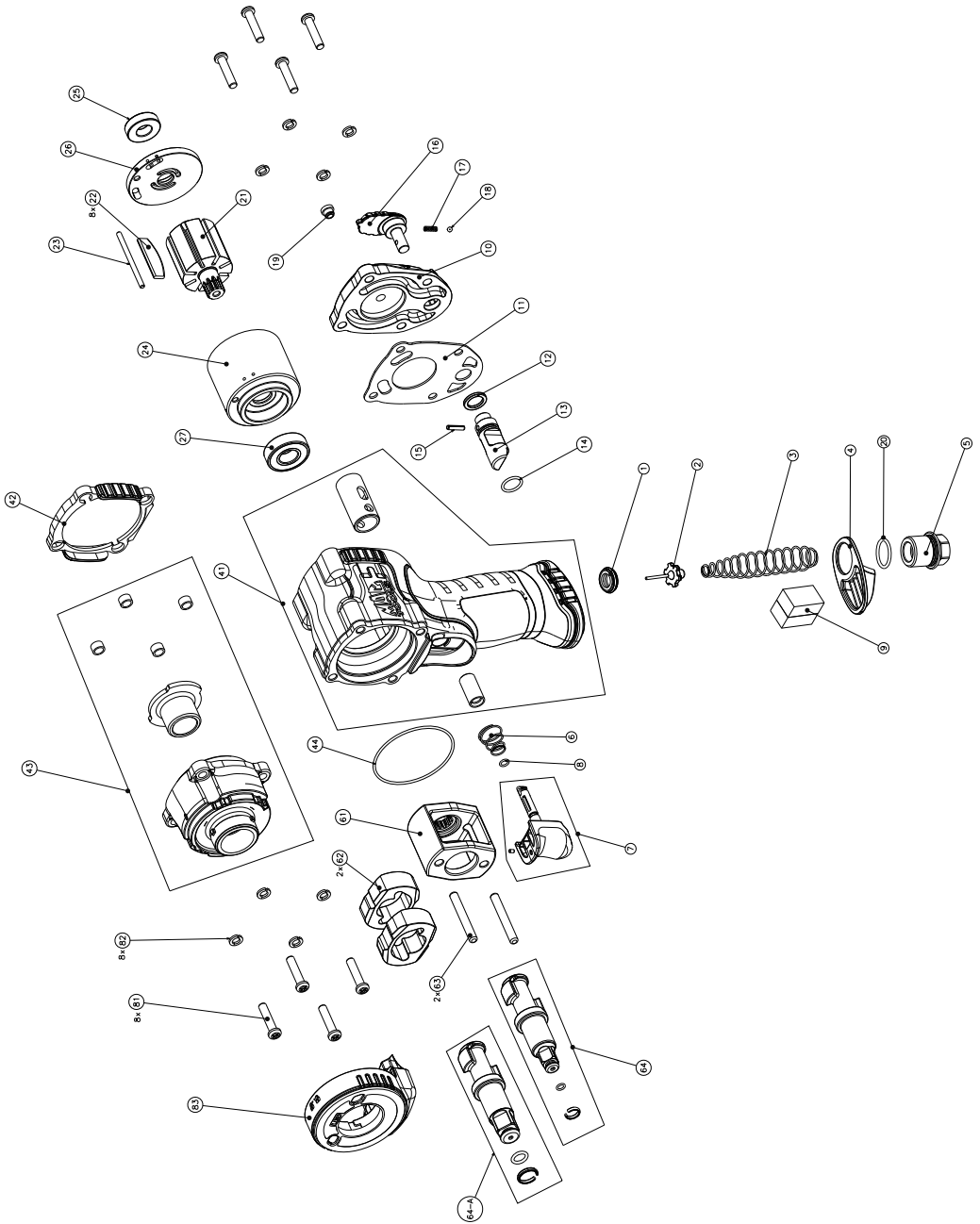
* = Incertitude d'évaluation en dB(A)

** = Incertitude d'évaluation en m/s²

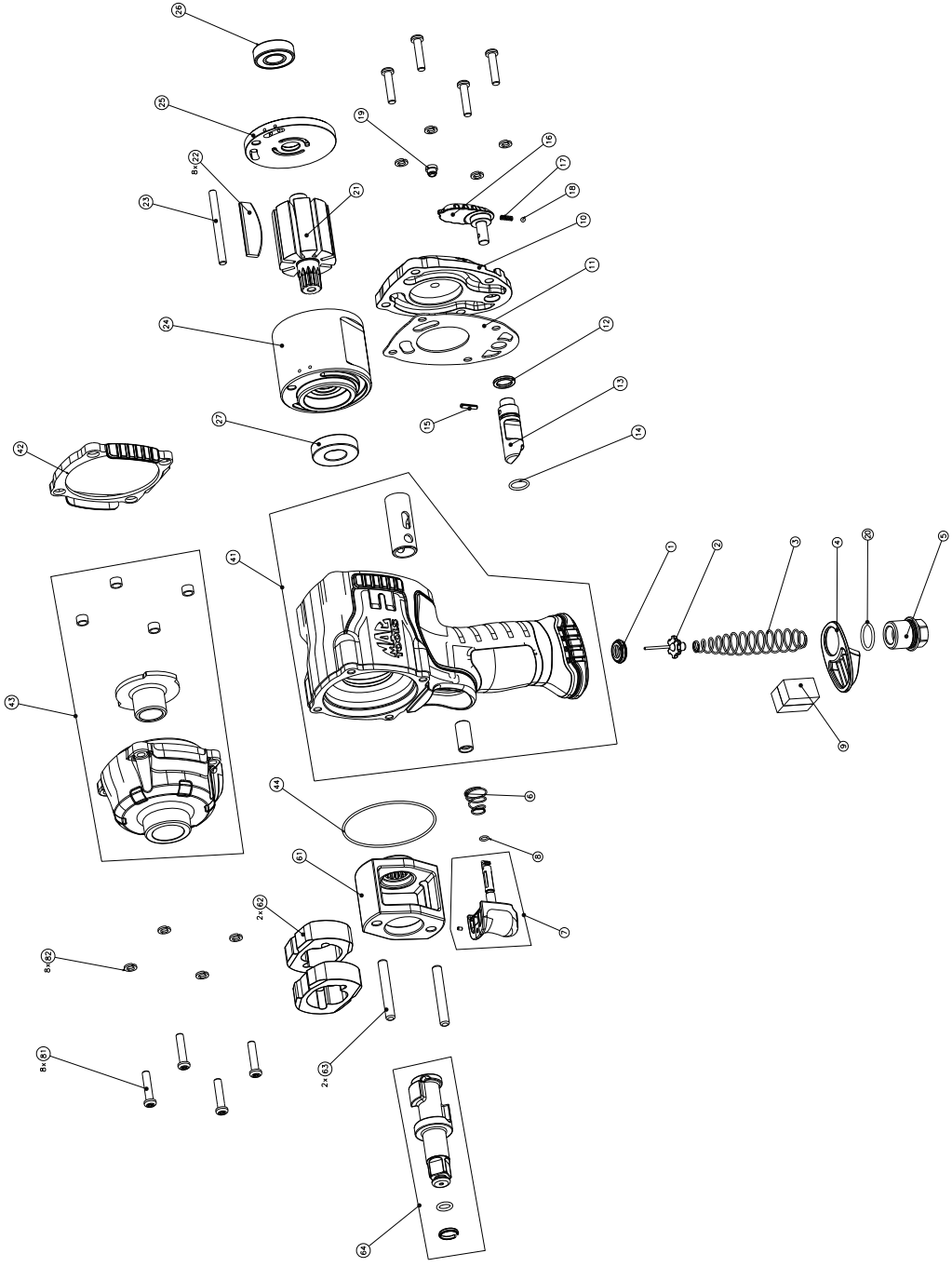


No. DE ARTICULO	No. DE PIEZA	DESCRIPCIÓN	CTD
1	MFP980381	CLÉ À CHOCS DE 9.5 MM	
2	N539593	JOINT	1
3	N463044	REGISTRE	1
4	N463048	RESSORT DE LA SOUPE D'ACCÉLÉRATION	1
5	N471027	ÉCHAPPEMENT	1
6	N495010	ENTRÉ D'AIR	1
7	N496835	RESSORT DE RAPPEL AVANT DE LA GÂCHETTE	1
8	N548975	GÂCHETTE	1
9	N470999	JOINT TORIQUE	1
10	N566303	FELTRE LUBRIFICATEUR	1
11	N497317	CAPUCHON ARRIÈRE	1
12	N488302	JOINT D'ARRIÈRE	1
13	N471020	JOINT DE SOUPE EN CAOUTCHOUC	1
14	N497986	SOUPE	1
15	N470994	JOINT TORIQUE	1
16	N488303	GOUPILLE CYLINDRIQUE	1
17	N494372	PALETTE ACTIONNÉE PAR LE POUCE	1
18	N471026	RESSORT À CLIQUET	1
19	N471025	DÉTENTE À BILLE Ø3MM	1
20	N463039	RACCORD GRAISSEUR	1
	86459	JOINT TORIQUE	1

No. DE ARTICULO	No. DE PIEZA	DESCRIPCIÓN	CTD
21	N471031	ROTOR	1
22	N573342	PALE DU ROTOR	8
23	N471017	GOUPILLE DE POSITIONNEMENT	1
24	N488315	CYLINDRE	1
25	N488319	PLAQUE D'EXTRÉMITÉ ARRIÈRE	1
26	N461671	ROULEMENT À BILLES	1
27	N472554	ROULEMENT À BILLES	1
41	N533961	ASSEMBLAGE DE BOÎTIER	1
		MANCHON DE SOUPE	1
		MANCHON DE GÂCHETTE	1
42	N488301	JOINT D'AVANT	1
43	N533950	ASSEMBLAGE DE BOÎTIER À MARTEAU	1
		MANCHON	1
		ENTRETOISE	4
44	N554255	JOINT TORIQUE	
61	N471004	CADRE	1
62	N471003	MARTEAU	2
63	N471005	AXE	2
64	N527950	ASSEMBLAGE D'ENCLUME DE 9.5 MM	1
		JOINT TORIQUE	1
		ANNEAU OUVERT	1
81	N470995	ANNEAU DE RETENUE	8
82	N470996	VIS	8

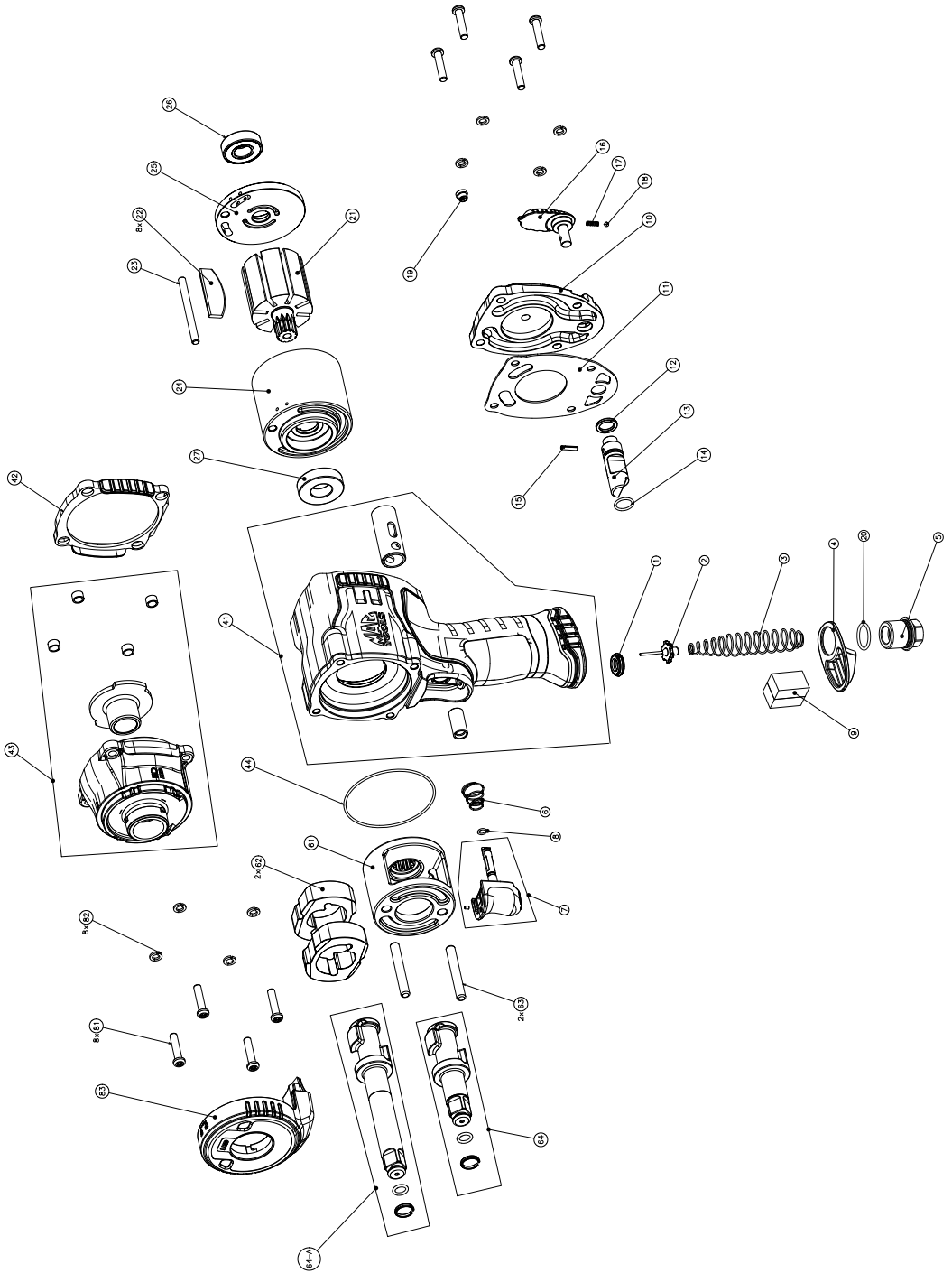


No. DE ARTICULO	No. DE PIEZA	DESCRIPCIÓN	CTD
	MPP99038/ MPP990501C	CLÉ À CHOCS PNEUMATIQUE HAUTES PERFORMANCES À PRISE DE 9.5 MM CLÉ À CHOCS PNEUMATIQUE COMPACTE HAUTES PERFORMANCES À PRISE DE 13 MM	
1	N539593	JOINT	1
2	N463044	REGISTRE	1
3	N463048	RESSORT DE LA SOUPAPE D'ACCELERATION	1
4	N471027	ÉCHAPPEMENT	1
5	N495010	ENTRÉ D'AIR	1
6	N496835	RESSORT DE RAPPEL AVANT DE LA GÂCHETTE	1
7	N548975	GÂCHETTE	1
8	N470999	JOINT TORIQUE	1
9	N566303	FEUTRE LUBRIFICATEUR	1
10	N497317	CAPUCHON ARRIÈRE	1
11	N488302	JOINT D'ARRIÈRE	1
12	N471020	JOINT DE SOUPAPE EN CAOUTCHOUC	1
13	N497986	SOUPAPE	1
14	N470994	JOINT TORIQUE	1
15	N488303	GOUPILLE CYLINDRIQUE	1
16	N494372	PALETTE ACTIONNÉE PAR LE POUCE	1
17	N471026	RESSORT À CLIQUET	1
18	N471025	DÉTENTE À BILLE Ø3MM	1
19	N463039	RACCORD GRAISSEUR	1
20	86459	JOINT TORIQUE	1
21	N471006	ROTOR	1
No. DE ARTICULO	No. DE PIEZA	DESCRIPCIÓN	CTD
22	N573340	PALE DU ROTOR	8
23	N471017	GOUPILLE DE POSITIONNEMENT	1
24	N488314	CYLINDRE	1
25	N488319	PLAQUE D'EXTRÉMITÉ ARRIÈRE	1
26	N461671	ROULEMENT À BILLES	1
27	N472554	ROULEMENT À BILLES	1
41	N533957	ASSEMBLAGE DE BÔTTIER	1
		MANCHON DE SOUPAPE	1
		MANCHON DE GÂCHETTE	1
42	N488301	JOINT D'AVANT	1
43	N533949	ASSEMBLAGE DE BÔTTIER À MARTEAU	1
		MANCHON	1
		ENTRETOISE	1
44	N554255	JOINT TORIQUE	1
61	N471004	CADRE	1
62	N471003	MARTEAU	2
63	N471005	AXE	2
64	N527950	ASSEMBLAGE D'ENCLUME DE 9.5 MM	1
		JOINT TORIQUE	1
		ANNEAU OUVERT	1
64-A	N527951	ASSEMBLAGE D'ENCLUME DE 13 MM	1
		JOINT TORIQUE	1
		ANNEAU OUVERT	1
81	N470995	ANNEAU DE RETENUE	8
82	N470996	VIS	8
83	N516144	MODULE LUMINEUX	1



No. DE ARTICULO	No. DE PIEZA	DESCRIPCIÓN	CTD
21	N471034	ROTOR	1
22	N573341	PALE DU ROTOR	8
23	N470989	GOUILLE DE POSITIONNEMENT	1
24	N488312	CYLINDRE	1
25	N488317	PLAQUE D'EXTRÉMITÉ ARRIÈRE	1
26	N472554	ROULEMENT À BILLES	1
27	N470976	ROULEMENT À BILLES	1
41	N533952	ASSEMBLAGE DE BOÎTIER	1
		MANCHON DE SOUPE	1
		MANCHON DE GÂCHETTE	1
42	N471021	JOINT D'AVANT	1
43	N533948	ASSEMBLAGE DE BOÎTIER À MARTEAU	1
		MANCHON	1
		ENTRETOISE	1
44	N554257	JOINT TORIQUE	1
61	N471033	CADRE	1
62	N548966	MARTEAU	2
63	N470969	AXE	2
64	N527948	ASSEMBLAGE D'ENCLUME DE 13 MM	1
		JOINT TORIQUE	1
		ANNEAU OUVERT	1
81	N470995	ANNEAU DE RETENUE	8
82	N470996	VIS	8

No. DE ARTICULO	No. DE PIEZA	DESCRIPCIÓN	CTD
	MPF980501	CLÉ À CHOCS DE 13 MM	
1	N539593	JOINT	1
2	N463044	REGISTRE	1
3	N463048	RESSORT DE LA SOUPE D'ACCELERATION	1
4	N471027	ÉCHAPPEMENT	1
5	N495010	ENTRÉ D'AIR	1
6	N496835	RESSORT DE RAPPEL AVANT DE LA GÂCHETTE	1
7	N548975	GÂCHETTE	1
8	N470999	JOINT TORIQUE	1
9	N566303	FEUTRE LUBRIFICATEUR	1
10	N470981	CAPUCHON ARRIÈRE	1
11	N471022	JOINT D'ARRIÈRE	1
12	N471020	JOINT DE SOUPE EN CAOUTCHOU	1
13	N488321	SOUPE	1
14	N470994	JOINT TORIQUE	1
15	N488303	GOUILLE CYLINDRIQUE	1
16	N488323	PALETTE ACTIONNÉE PAR LE POUCE	1
17	N471026	RESSORT À CLIQUET	1
18	N471025	DÉTENTE À BILLE Ø3MM	1
19	N463039	RACCORD GRAISSEUR	1
20	86459	JOINT TORIQUE	1



No. DE ARTICULO	No. DE PIEZA	DESCRIPCIÓN	CTD
	MPF990501/ MPF992501	CLÉ À CHOCS PNEUMATIQUE HAUTES PERFORMANCES À PRISE DE 13 MM CLÉ À CHOCS PNEUMATIQUE HAUTES PERFORMANCES À PRISE DE 13 MM ET ENCLUME PROLONGÉE 50,8 MM	
1	N539593	JOINT	1
2	N463044	REGISTRE	1
3	N463048	RESSORT DE LA SOUPAPE D'ACCÉLÉRATION	1
4	N471027	ÉCHAPPEMENT	1
5	N495010	ENTRÉ D'AIR	1
6	N496835	RESSORT DE RAPPEL AVANT DE LA GÂCHETTE	1
7	N548975	GÂCHETTE	1
8	N470999	JOINT TORIQUE	1
9	N566303	FEUTRE LUBRIFICATEUR	1
10	N470981	CAPUCHON ARRIÈRE	1
11	N471022	JOINT D'ARRIÈRE	1
12	N471020	JOINT DE SOUPAPE EN CAOUTCHOUC	1
13	N488321	SOUPAPE	1
14	N470994	JOINT TORIQUE	1
15	N488303	GOUILLE CYLINDRIQUE	1
16	N488323	PALETTE ACTIONNÉE PAR LE POUCE	1
17	N471026	RESSORT À CLIQUET	1
18	N471025	DÉTENTE À BILLE Ø3MM	1
19	N463039	RACCORD GRAISSEUR	1
20	86459	JOINT TORIQUE	1
21	N470970	ROTOR	1

No. DE ARTICULO	No. DE PIEZA	DESCRIPCIÓN	CTD
22	N573343	PALE DU ROTOR	8
23	N470989	GOUILLE DE POSITIONNEMENT	1
24	N488311	CYLINDRE	1
25	N488317	PLAQUE D'EXTREMITÉ ARRIÈRE	1
26	N472554	ROULEMENT À BILLES	1
27	N470976	ROULEMENT À BILLES	1
41	N533951	ASSEMBLAGE DE BOÎTIER	1
		MANCHON DE SOUPAPE	1
		MANCHON DE GÂCHETTE	1
42	N471021	JOINT D'AVANT	1
43	N491765	ASSEMBLAGE DE BOÎTIER À MARTEAU	1
		MANCHON	1
		ENTRETOISE	1
61	N470968	CADRE	1
62	N548966	MARTEAU	2
63	N470969	AXE	2
64	N527948	ASSEMBLAGE D'ENCLUME DE 13 MM	1
		JOINT TORIQUE	1
		ANNEAU OUVERT	1
64-A	N527949	ASSEMBLAGE D'ENCLUME PROLONGÉE 13MM	1
		JOINT TORIQUE	1
		ANNEAU OUVERT	1
81	N470995	ANNEAU DE RETENUE	8
82	N470996	VIS	8
83	N494860	MODULE LUMINEUX	1
86	N471020	JOINT DE SOUPAPE EN CAOUTCHOUC	1

COMPLIANCE

Cet appareil est conforme à la norme CAN ICES-3(B)/NMB-3(B).

Cet appareil est conforme au paragraphe 15 du règlement du FCC et à la (aux) norme(s) RSS exempté(s) de licence d'Industrie Canada. Son utilisation est sujette aux deux conditions suivantes :

Ce dispositif ne doit pas causer d'interférences nuisibles; et

Ce dispositif doit accepter toute interférence reçue, y compris toute interférence pouvant causer un fonctionnement indésirable.

Cet équipement a été testé et jugé conforme aux limites propres aux appareils numériques de Classe B, conformément au Paragraphe 15 du règlement du FCC. Ces limites sont destinées à offrir une protection raisonnable contre les interférences nuisibles d'une installation résidentielle. Cet équipement produit, utilise et peut émettre des ondes radiofréquences qui, s'il n'est pas installé et utilisé conformément aux directives, pourront causer des interférences nuisibles aux communications radio. Cependant, en fonction des installations réalisées, l'absence d'interférences n'est pas garantie. Si cet équipement cause des interférences nuisibles à la réception radio ou télévision (ce qui peut être déterminé par la mise sous/hors tension de cet équipement) l'utilisateur est encouragé à tenter de corriger ces interférences en prenant l'une ou plusieurs des mesures suivantes :

Réorienter l'antenne de réception ou en changer l'emplacement.

Augmenter la distance entre l'équipement et le récepteur.

Brancher l'équipement à une prise située sur un circuit différent de celui sur lequel le récepteur est connecté. Contacter un revendeur ou consulter un technicien radio/télé qualifié.

LE SCEAU SRPRC®



Le sceau SRPRC® (Société de recyclage des piles rechargeables du Canada) apposé sur une pile au nickel-cadmium, à hydrure métallique de nickel ou au lithium-ion (ou un bloc-piles) indique que les coûts de recyclage de ces derniers en fin d'utilisation ont déjà été réglés par Mac Tools. Dans certaines régions, la mise au rebut ou aux ordures municipales des piles au nickel-cadmium, à l'hydrure métallique de nickel ou au lithium-ion, est illégale ; le programme

de l'Appel à Recycler® constitue donc une solution pratique et écologique.

Appel à Recycler Canada, Inc., en collaboration avec Mac Tools et d'autres utilisateurs de piles, a mis sur pied de programme aux États-Unis et au Canada pour faciliter la collecte des piles au nickel-cadmium, à l'hydrure métallique de nickel ou au lithium-ion usagées. Aidez-nous à protéger l'environnement et à conserver nos ressources naturelles en envoyant les piles au nickel-cadmium, à l'hydrure métallique de nickel ou au lithium-ion usagées à un centre de réparation autorisé Mac Tools ou chez votre détaillant afin qu'elles y soient recyclées. On peut en outre se renseigner auprès d'un centre de recyclage local pour connaître d'autres sites les acceptant.

SRPRC® est une marque déposée de l'Appel à Recycler Canada, Inc.

GARANTIE LIMITÉE

Nous garantissons que cet outil est exempt de tout défaut de fabrication pour une période de UN AN à compter de la date d'achat initiale. Nos obligations envers l'acheteur initial sont limitées à la réparation ou le remplacement, à nos frais (frais d'expédition exclus), d'un outil défectueux si ce dernier est retourné par l'acheteur initial dans le un an suivant la date d'achat, tous frais d'expédition à Stanley prépayés. CETTE GARANTIE NE S'APPLIQUE PAS AUX DÉFAUTS OU DOMMAGES CAUSÉS À L'OUTIL (i) après la date d'expiration de la garantie; (ii) résultant d'une utilisation abusive ou inappropriée; (iii) résultant d'un non-respect des consignes de lubrification, d'entretien ou d'utilisation de l'outil; ou (iv) résultant de tout service de réparation ou d'entretien réalisé par une personne autre qu'un employé Mac Tools. CETTE GARANTE LIMITÉE REMPLACE TOUTES LES AUTRES, INCLUANT LA GARANTIE IMPLICITE DE COMMERCIALISATION ET D'ADAPTATION POUR UN BUT PARTICULIER, ET EXCLUT TOUS DOMMAGES ACCESSOIRES OU INDIRECTS. Certains États n'autorisent pas les restrictions sur la durée d'une garantie implicite ni l'exclusion ou la

restriction des dommages accessoires ou indirects, auquel cas les restrictions du présent document pourraient ne pas être applicables. La présente garantie vous donne des droits juridiques spécifiques en plus d'autres droits éventuels qui varient selon l'État ou la province.

SERVICE CLIENTÈLE

Chez Mac Tools, nous sommes totalement dédiés à notre clientèle. Prendre note du numéro de téléphone suivant pour contacter directement l'un de nos techniciens. Ils seront ravis de vous aider pour toute question relative au service ou à la garantie, que vous pourrez vous poser sur votre outil électrique.

MACTOOLS.COM | Mac Tools • 505 North Cleveland Avenue • Westerville, Ohio 43082 | 800.MACTOOLS

Mac Tools-Europe, Stanley Black & Decker Inc. • Unit 3, Europa Court
Sheffield Business Park • Sheffield, S9 1XE | 0114 2917266

CERTIFICAT DE CONFORMITÉ CE

NOUS, **MAC TOOLS**, SITUE AU 505 NORTH CLEVELAND AVENUE, WESTERVILLE, OHIO 43082 ENGAGEONS NOTRE PROPRE RESPONSABILITÉ QUE **MPF980381 – CLÉ À CHOCS DE 9.5 MM, MPF980501 – CLÉ À CHOCS DE 13 MM, MPF990381– CLÉ À CHOCS PNEUMATIQUE HAUTES PERFORMANCES À PRISE DE 9.5 MM, MPF990501 – CLÉ À CHOCS PNEUMATIQUE HAUTES PERFORMANCES À PRISE DE 13 MM, MPF990501C – CLÉ À CHOCS PNEUMATIQUE COMPACTE HAUTES PERFORMANCES À PRISE DE 13 MM, ET MPF992501 – CLÉ À CHOCS PNEUMATIQUE HAUTES PERFORMANCES À PRISE DE 13 MM ET ENCLUME PROLONGÉE 50,8 MM**

- EST EN CONFORMITÉ AVEC LA DIRECTIVE "MACHINERIES" 2006/42/EC

- ET EST EN CONFORMITÉ AVEC LES DISPOSITIONS HARMONISÉES DES NORMES EUROPÉENNES. ISO 11148-6: 2012

LE SOUSSIGNÉ EST RESPONSABLE DE LA COMPILATION DU FICHER TECHNIQUE ET FAIT CETTE DÉCLARATION AU NOM DE MAC TOOLS.

CE



Markus Rompel
Directeur de l'Ingénierie
25.04.2017

©2018 Mac Tools

Brevet en instance

Manual # N523482