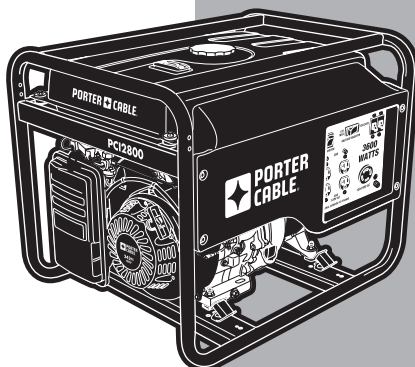
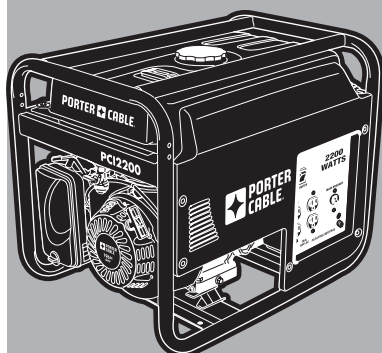


PORTER CABLE®

GENERATOR AND ENGINE

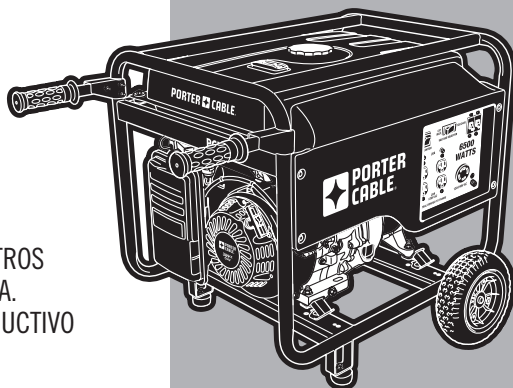
Generador y Motor

Gerador e Motor



Instruction manual
Manual de instrucciones
Manual de instruções

www.deltaportercable.com



INSTRUCTIVO DE OPERACIÓN, CENTROS
DE SERVICIO Y PÓLIZA DE GARANTÍA.

▲ ADVERTENCIA: LÉASE ESTE INSTRUCTIVO
ANTES DE USAR EL PRODUCTO.

PCI2200
PCI2800
PCI5000

SAFETY GUIDELINES - DEFINITIONS

This manual contains information that is important for you to know and understand. This information relates to protecting YOUR SAFETY and PREVENTING EQUIPMENT PROBLEMS. To help you recognize this information, we use the symbols below. Please read the manual and pay attention to these symbols.

⚠ DANGER: Indicates an imminently hazardous situation which, if not avoided, **will** result in **death or serious injury**.

⚠ WARNING: Indicates a potentially hazardous situation which, if not avoided, **could** result in **death or serious injury**.

⚠ CAUTION: Indicates a potentially hazardous situation which, if not avoided, **may** result in **minor or moderate injury**.

CAUTION: Used without the safety alert symbol indicates a potentially hazardous situation which, if not avoided, **may** result in **property damage**.

IMPORTANT SAFETY INSTRUCTIONS

⚠ DANGER: Carbon Monoxide. Using an engine indoors can kill you in minutes. Engine exhaust contains high levels of carbon monoxide (CO), a poisonous gas you cannot see or smell. You may be breathing CO even if you do not smell engine exhaust.

- **NEVER** use an engine inside homes, garages, crawlspaces or other partly enclosed areas. Deadly levels of carbon monoxide can build up in these areas. Using a fan or opening windows and doors does **NOT** supply enough fresh air.
- **ONLY** use outdoors and far away from open windows, doors and vents. These openings can pull in engine exhaust.
- **Even when the engine is used correctly, CO may leak into your home. ALWAYS use a battery-powered or battery backup CO alarm in the home. Read and follow all directions for CO alarm before using.** If you start to feel sick, dizzy or weak at anytime, move to fresh air immediately. See a doctor. You could have carbon monoxide poisoning.

⚠ WARNING: Do not operate this unit until you read this instruction manual for safety, operation and maintenance instructions.

SAVE THESE INSTRUCTIONS



DANGER: RISK OF ELECTROCUTION AND FIRE

WHAT CAN HAPPEN

- Back feeding electricity through a building's electrical system to the outside utility feed lines could endanger repair persons attempting to restore service.
- Attempting to connect to the incoming utility service could result in electrocution.
- Restoration of electrical service while the generator is connected to the incoming utility could result in a fire or serious damage if a double throw transfer switch is not installed.
- Failure to use a double throw transfer switch when connecting to a structure's electrical system can damage appliances and WILL VOID the manufacturer's warranty.
- Water can conduct electricity! Water which comes in contact with electrically charged components can transmit electricity to the frame and other surfaces, resulting in electrical shock to anyone contacting them.
- Contact with worn or damaged extension cords could result in electrocution.
- Use of undersize extension cord(s) could result in overheating of the wires or attached items, resulting in fire.
- Use of ungrounded extension cord(s) could prevent operation of circuit breakers and result in electrical shock.
- Accidental leakage of electrical current could charge conductive surfaces in contact with the generator.
- Exceeding the load capacity of the generator by attaching too many items, or items with very high load ratings to it could result in overheating of some items or their attachment wiring resulting in fire or electrical shock.

HOW TO PREVENT IT

- Never backfeed electricity through a structure's electrical system.
- To connect to a structure's electrical system in a safe manner, always have a double-throw transfer switch installed by a qualified electrician and in compliance with local ordinances. (When installing a double-throw transfer switch, a minimum of 10 gauge wiring must be used.)
- Operate generator in a clean, dry, well ventilated area. Make sure hands are dry before touching unit.
- Inspect extension cords before use and replace with new cord if required.
- Use proper size (wire gauge) extension cord(s) for application; see Use of **Extension Cords** under *Assembly*.
- Always use an extension cord(s) having a grounding wire with an appropriate grounding plug. DO NOT use an ungrounded plug.
- Place generator on low conductivity surface such as a concrete slab. ALWAYS operate generator a minimum of 6' (1.8 m) from any conductive surface.
- See **Operating Heavy Loads** under *Operation*. Make sure that the summation of electrical loads for all attachments does not exceed the load rating of the generator.

- Attempting to use the unit when it has been damaged, or when it is not functioning normally could result in fire or electrocution.
- Removal of guarding could expose electrically charged components and result in electrocution.
- **Unattended operation of this product could result in personal injury or property damage. To reduce the risk of fire, do not allow the engine to operate unattended.**
- Do not operate generator with mechanical or electrical problem. Contact a Customer Care Center at (888)-848-5175.
- Do not operate generator with protective guarding removed.
- Always remain in attendance with the engine when it is operating.



DANGER: RISK OF EXPLOSION OR FIRE

WHAT CAN HAPPEN

- Spilled gasoline and its vapors can become ignited from sparks from smoking products, electrical arcing, exhaust, flame, gases and hot engine components such as the muffler.
- Heat will expand fuel in the tank which could result in spillage and possible fire or explosion.
- **Combustible materials which come into contact with hot generator parts can become ignited.**
- Improperly stored fuel could lead to accidental ignition. Fuel improperly secured could get into the hands of children or other unqualified persons.
- Engine speed has been factory set to provide safe operation. Tampering with the engine speed adjustment could result in overheating of attachments and could cause a fire.

HOW TO PREVENT IT

- Shut off engine and allow it to cool before removing cap and adding fuel to the tank.
- Use care in filling tank to avoid spilling fuel. Make sure the cap is secure and move unit away from fueling area before starting engine.
- Keep maximum fuel level below the shoulders on the debris screen to allow for expansion.
- Add fuel outdoors in a well ventilated area. Make sure there are no sources of ignition, such as smoking products near refueling location.
- Operate generator in a clean, dry, well ventilated area a minimum of 48" (1.2 m) from any building, object or wall. Do not operate unit indoors or in any confined area.
- Operate generator in an open area away from dry brush, weeds or other combustible materials.
- Store fuel in an OSHA-approved container, in a secure location away from work area.
- Never attempt to "speed-up" the engine to obtain more performance. Both the output voltage and frequency will be thrown out of standard by this practice, endangering attachments and the user.



⚠ DANGER: RISK TO BREATHING (Asphyxiation)

WHAT CAN HAPPEN

- Breathing exhaust fumes can cause serious injury or death! Engine exhaust contains high levels of carbon monoxide (CO), a poisonous gas you cannot see or smell. You may be breathing CO even if you do not smell engine exhaust.

HOW TO PREVENT IT

- **NEVER** use an engine inside homes, garages, crawlspaces, or other partly enclosed areas. Deadly levels of carbon monoxide can build up in these areas. Using a fan or opening windows and doors does **NOT** supply enough fresh air.
- **Only** use outdoors and far away from open windows, doors and vents. These openings can pull in engine exhaust.
- Keep children, pets and others away from area of operation.
- Always keep the exhaust pipe free of foreign objects.



⚠ DANGER: RISK OF INJURY OR PROPERTY DAMAGE WHEN TRANSPORTING OR STORING

WHAT CAN HAPPEN

- Oil and fuel can leak or spill and could result in fire or breathing hazard; serious injury or death can result. Oil leaks will damage carpet, paint or other surfaces in vehicles or trailers.

HOW TO PREVENT IT

- Never transport generator with fuel in the fuel system, fuel valve open or while generator is in operation.
- Always place generator on a protective mat when transporting to protect against damage to vehicle from leaks. Remove generator from vehicle immediately upon arrival at your destination. Always keep generator level and never lie on its side.
- Transport fuel only in an OSHA approved container.



⚠ WARNING: RISK OF HOT SURFACES

WHAT CAN HAPPEN

- Touching exposed metal (muffler and other engine parts) can result in serious burns.

HOW TO PREVENT IT

- Never touch any exposed metal parts on generator during or immediately after operation. The generator will remain hot for several minutes after operation.
- Do not reach around protective shrouds or attempt maintenance until generator has been allowed to cool.



⚠ WARNING: RISK FROM MOVING PARTS

WHAT CAN HAPPEN

- The engine can start accidentally if the flywheel is turned by hand or moved by pulling on the pull starter.
- Moving parts such as the pulley, flywheel and belt can cause serious injury if they come into contact with you or your clothing.
- Attempting to operate generator with damaged or missing parts or attempting to repair generator with protective shrouds removed can expose you to moving parts and can result in serious injury.

HOW TO PREVENT IT

- Always disconnect the spark plug before performing maintenance.
- Never operate the generator with guards or covers which are damaged or removed.
- Keep your hair, clothing and gloves away from moving parts. Loose clothes, jewelry or long hair can be caught in moving parts.
- Air vents may cover moving parts and should be avoided as well.
- Any repairs required on this product should be performed by a PORTER CABLE factory service center or a PORTER CABLE authorized service center.



⚠ WARNING: RISK OF UNSAFE OPERATION

WHAT CAN HAPPEN

- Unsafe operation of your generator could lead to serious injury or death to you or others.

HOW TO PREVENT IT

- Review and understand all instructions and warnings in this manual.
- Become familiar with the operation and controls of the generator. Know how to shut it off quickly.
- Keep operating area clear of all persons, pets and obstacles.
- Keep children away from the generator at all times.
- Do not operate the generator when fatigued or under the influence of alcohol or drugs. Stay alert at all times.
- Never defeat the safety features of this product.
- Equip area of operation with a fire extinguisher.
- Do not operate generator with missing, broken or unauthorized parts.
- Never stand on the generator.

- Any gasoline operated household generator can produce voltage variations causing damage to voltage sensitive appliances or could result in fire.
- Always use an UL® listed voltage sensitive surge protector to connect voltage sensitive appliances (TV, computer, stereo, etc.). Failure to use a UL® listed voltage surge protector will void the warranty on your generator. **NOTICE:** A multiple outlet strip is not a surge protector. Make sure you use an UL® listed voltage surge protector



WARNING: RISK FROM NOISE

WHAT CAN HAPPEN

- Under some conditions, applications and duration of use, noise from this product may contribute to hearing loss.

HOW TO PREVENT IT

- Always wear certified safety equipment: ANSI S12.6 (S3.19) hearing protection.



CAUTION: RISK FROM LIFTING

WHAT CAN HAPPEN

- Serious injury can result from attempting to lift too heavy an object.

HOW TO PREVENT IT

- The generator is too heavy to be lifted by one person. Obtain assistance from others before you try to move it.

SAVE THESE INSTRUCTIONS

GENERATOR COMPONENTS (FIG 1)

- A. Engine
- B. Alternator
- C. Control Panel
- D. Fuel Cap
- E. Fuel Tank
- F. Fuel Gauge
- G. Fuel Shut Off Valve

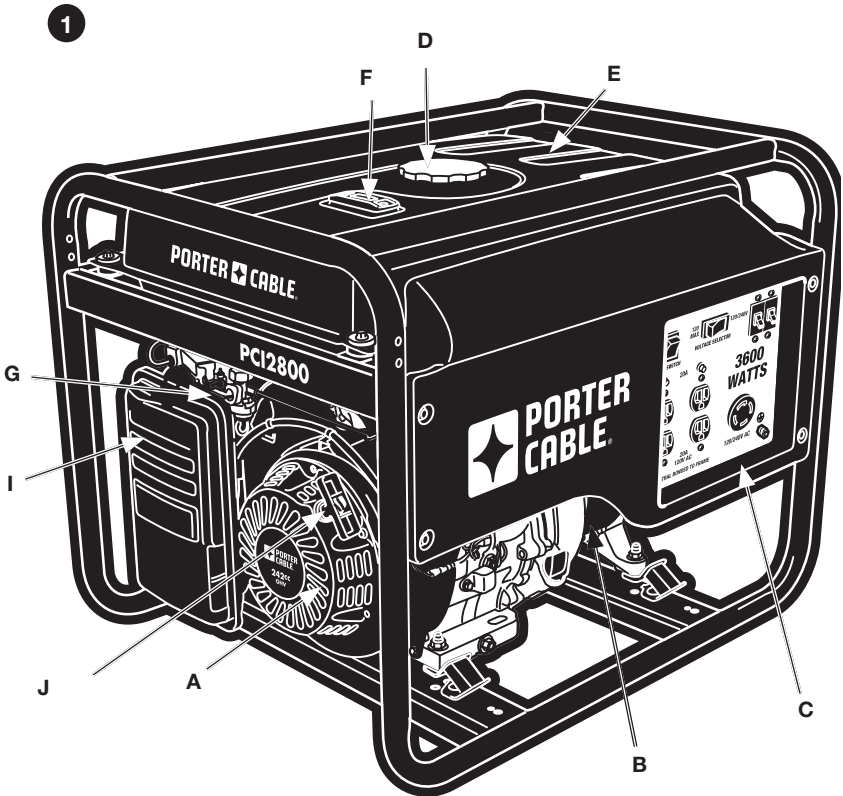
ENGINE COMPONENTS (FIG 2)

- H. Crank Shaft PTO
- I. Air Filter
- J. Recoil Pull Start
- K. Oil Drain

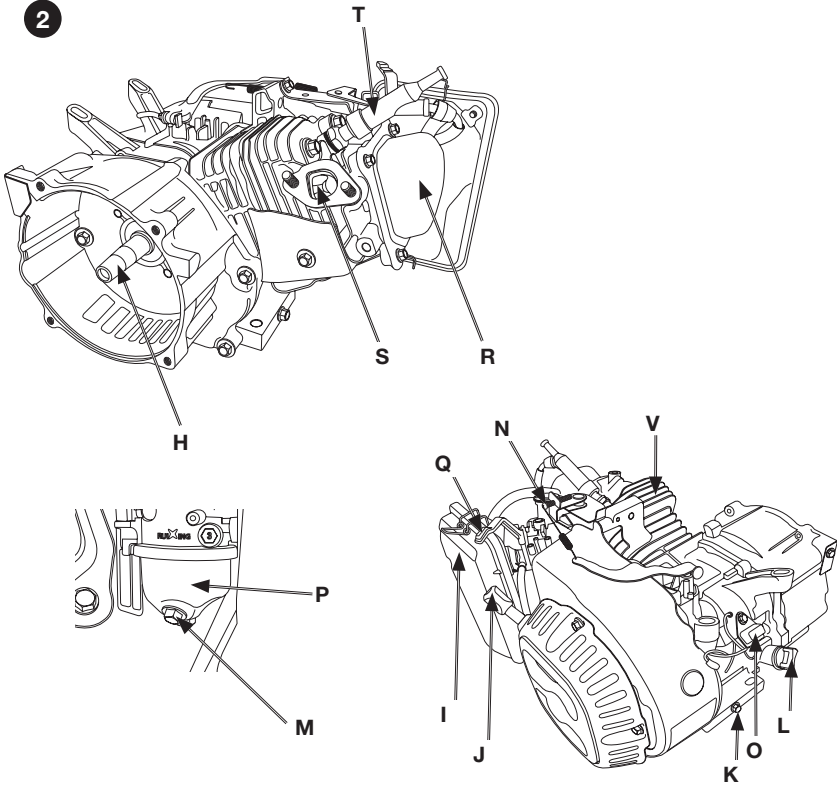
- L. Oil Fill Dip Stick
- M. Carburetor Bowl Drain
- N. Set Throttle Control
- O. Low Oil Shut Down
- P. Carburetor Bowl
- Q. Choke Lever

HOT SURFACES (FIG 2)

- R. Valve Cover
- S. Exhaust
- T. Spark Plug
- U. Muffler (not shown)
- V. Cylinder Head



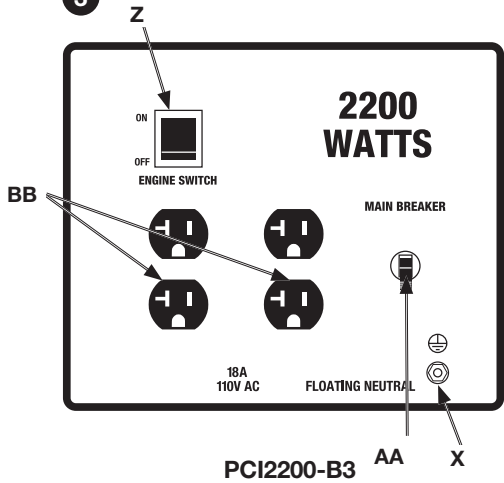
2

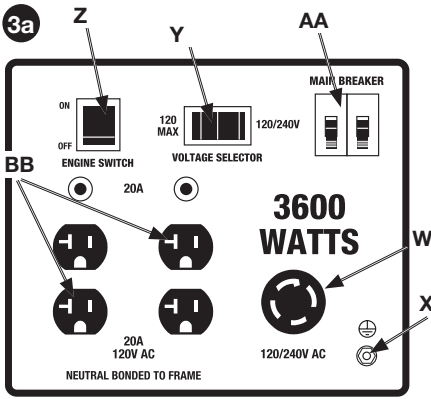


**CONTROL PANEL LAYOUT
(FIG 3)**

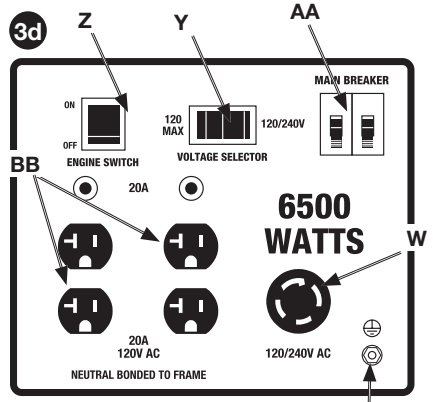
- W. Twistlock Receptacle
- X. Ground Nut
- Y. Voltage Selector Switch
- Z. Engine On/Off Switch
- AA. Main Breaker
- BB. Duplex Receptacle
- CC. 220V Receptacle

3



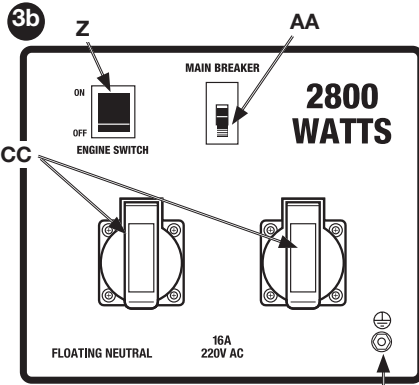


PCI2800-B3



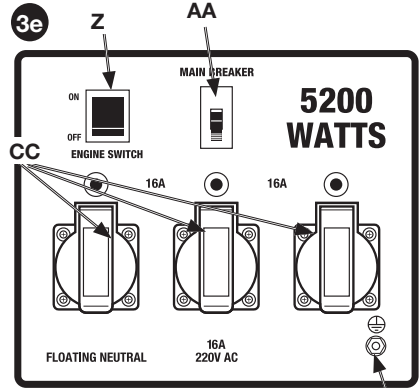
PCI5000-B3

X



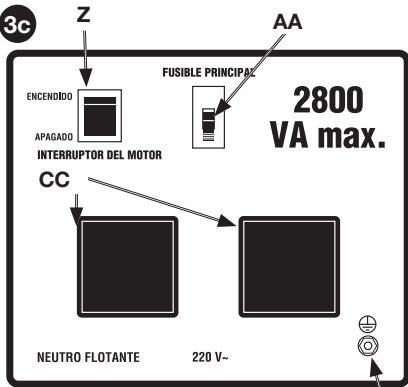
PCI2800-B2

X



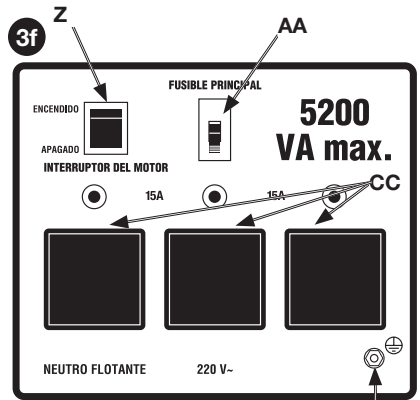
PCI5000-B2

X



PCI2800-AR

X



PCI5000-AR

X

PRODUCT SPECIFICATIONS

Model	PCI2200-B3
Alternator	
Type	110V, 2 Pole AVR
Excitation	Brushed
Max AC Output (Watts)	2200
Rated AC Output (Watts) continuous	2000
Rated Current (A)	18 A
Phase	Single
Frequency (HZ)	60
Engine	
Horse Power (*Gross HP)	*6.5
Displacement (CC)	196
Fuel Tank Capacity gal (L)	4.8 (18)
Oil Capacity (L)	0.6
Recommended Oil	See Oil Recommendations
Low Oil Shutdown	Yes
Starting system	Recoil
Type	Air cooled, 4 cycle single cylinder, spark ignited
Fuel	Regular, unleaded gasoline (minimum 86 octane) DO NOT use E85 fuel.
Air cleaner type	Foam element or paper
Spark plug type	NGK: BP6ES, **BPR6ES, BPR6ES/AUTOLITE: 63/AC DELCO: R41XL, R42XLS, R43FS, R43XL, R43XLS, R44XLS, R45XLS or equivalent
Spark plug gap	0.028-0.031" (0.70-0.80 mm)
Fuel shut off solenoid	Without
Idle control	Without
Electric starter	Without
Max. recommended tilt angle	< 25°
Receptacles	
110V 18 Amp Duplex +	Yes (2)
General	
Dimensions * (in./cm) (L x W x H)	(23.2 x 18.7x 18.1/59.0 x 47.5 x 46.0)
Dry Weight *	99 lbs. (45 kg)
• Dimensions do not include wheel kit.	
* Gross horsepower (HP). This horsepower rating represents the maximum output under laboratory conditions at 3600 RPM in accordance with SAE (Society of Automotive Engineers) J1995 and should be used for comparison purposes only. Actual engine output will be lower and will vary depending on the application, speed and other variables including altitude and temperature.	
**This spark plug complies with Canadian Standard ICES-002	
+ When using the receptacles, you must connect through a GFCI protected spider box or use an in-line GFCI adapter.	

Model	PCI2800-B3
Alternator	
Type	120V/240V AC 2 Pole AVR
Excitation	Brushed
Max AC Output (Watts)	3600
Rated AC Output (Watts) continuous	3500
Rated Current (A)	31/15A
Phase	Single
Frequency (HZ)	60
Engine	
Horse Power (*Gross HP)	*8
Displacement (CC)	242
Fuel Tank Capacity gal (L)	6.6 (25)
Oil Capacity (L)	1.1
Recommended Oil	See Oil Recommendations
Low Oil Shutdown	Yes
Starting system	Recoil
Type	Air cooled, 4 cycle single cylinder, spark ignited
Fuel	Regular, unleaded gasoline (minimum 86 octane) DO NOT use E85 fuel.
Air cleaner type	Foam element or paper
Spark plug type	NGK: BP6ES, **BPR6ES, BPR6ES/ AUTOLITE: 63/AC DELCO: R41XL, R42XLS, R43FS, R43XL, R43XLS, R44XLS, R45XLS or equivalent
Spark plug gap	0.028-0.031" (0.70-0.80 mm)
Fuel shut off solenoid	Yes
Idle control	Without
Electric starter	Without
Max. recommended tilt angle	< 25°
Receptacles	
120V 20 Amp Duplex +	Yes (2)
120/240V 30 A Twist-Locking +	Yes (1)
General	
Dimensions * (in./cm) (L x W x H)	27 X 21 22/68 X 54 X 55
Dry Weight *	150 lbs. (68 kg)
• Dimensions do not include wheel kit.	
* Gross horsepower (HP). This horsepower rating represents the maximum output under laboratory conditions at 3600 RPM in accordance with SAE (Society of Automotive Engineers) J1995 and should be used for comparison purposes only. Actual engine output will be lower and will vary depending on the application, speed and other variables including altitude and temperature.	
**This spark plug complies with Canadian Standard ICES-002	
+ When using the receptacles, you must connect through a GFCI protected spider box or use an in-line GFCI adapter.	

Model	PCI2800-B2
Alternator	
Type	220V AC 2 Pole AVR
Excitation	Brushed
Max AC Output (Watts)	2800
Rated AC Output (Watts) continuous	2700
Rated Current (A)	13A
Phase	Single
Frequency (HZ)	50
Engine	
Horse Power (*Gross HP)	*8
Displacement (CC)	242
Fuel Tank Capacity gal (L)	6.6 (25)
Oil Capacity (L)	1.1
Recommended Oil	See Oil Recommendations
Low Oil Shutdown	Yes
Starting system	Recoil
Type	Air cooled, 4 cycle single cylinder, spark ignited
Fuel	Regular, unleaded gasoline (minimum 86 octane) DO NOT use E85 fuel.
Air cleaner type	Foam element or paper
Spark plug type	NGK: BP6ES, **BPR6ES, BPR6ES/ AUTOLITE: 63/AC DELCO: R41XL, R42XLS, R43FS, R43XL, R43XLS, R44XLS, R45XLS or equivalent
Spark plug gap	0.028-0.031" (0.70-0.80 mm)
Fuel shut off solenoid	Yes
Idle control	Without
Electric starter	Without
Max. recommended tilt angle	< 25°
Receptacles	
220V, 16A+	Yes (2)
General	
Dimensions * (in./cm) (L x W x H)	27 X 21 22/68 X 54 X 55
Dry Weight *	150 lbs. (68 kg)
• Dimensions do not include wheel kit.	
* Gross horsepower (HP). This horsepower rating represents the maximum output under laboratory conditions at 3600 RPM in accordance with SAE (Society of Automotive Engineers) J1995 and should be used for comparison purposes only. Actual engine output will be lower and will vary depending on the application, speed and other variables including altitude and temperature.	
**This spark plug complies with Canadian Standard ICES-002	
+ When using the receptacles, you must connect through a GFCI protected spider box or use an in-line GFCI adapter.	

Model	PCI2800-AR
Alternator	
Type	220V AC 2 Pole AVR
Excitation	Brushed
Max AC Output (Watts)	2800 VA max
Rated AC Output (Watts) continuous	2530 VA
Phase	Single
Frequency (HZ)	50
Engine	
Horse Power (*Gross HP)	*8
Displacement (CC)	242
Fuel Tank Capacity gal (L)	6.6 (25)
Oil Capacity (L)	1.1
Recommended Oil	See Oil Recommendations
Low Oil Shutdown	Yes
Starting system	Recoil
Type	Air cooled, 4 cycle single cylinder, spark ignited
Fuel	Regular, unleaded gasoline (minimum 86 octane) DO NOT use E85 fuel.
Air cleaner type	Foam element or paper
Spark plug type	NGK: BP6ES, **BPR6ES, BPR6ES/ AUTOLITE: 63/AC DELCO: R41XL, R42XLS, R43FS, R43XL, R43XLS, R44XLS, R45XLS or equivalent
Spark plug gap	0.028-0.031" (0.70-0.80 mm)
Fuel shut off solenoid	Yes
Idle control	Without
Electric starter	Without
Max. recommended tilt angle	< 25°
Receptacles	
220V, 15A +	Yes (2)
General	
Dimensions * (in./cm) (L x W x H)	27 X 21 22/68 X 54 X 55
Dry Weight *	150 lbs. (68 kg)
• Dimensions do not include wheel kit.	
* Gross horsepower (HP). This horsepower rating represents the maximum output under laboratory conditions at 3600 RPM in accordance with SAE (Society of Automotive Engineers) J1995 and should be used for comparison purposes only. Actual engine output will be lower and will vary depending on the application, speed and other variables including altitude and temperature.	
**This spark plug complies with Canadian Standard ICES-002	
+ When using the receptacles, you must connect through a GFCI protected spider box or use an in-line GFCI adapter.	

Model	PCI5000-B3
Alternator	
Type	120V/240V AC 2 Pole AVR
Excitation	Brushed
Max AC Output (Watts)	6500
Rated AC Output (Watts) continuous	5200
Rated Current (A)	42/21 A
Phase	Single
Frequency (HZ)	60
Engine	
Horse Power (*Gross HP)	*13
Displacement (CC)	389
Fuel Tank Capacity gal (L)	6.6 (25)
Oil Capacity (L)	1.1
Recommended Oil	See Oil Recommendations
Low Oil Shutdown	Yes
Starting system	Recoil
Type	Air cooled, 4 cycle single cylinder, spark ignited
Fuel	Regular, unleaded gasoline (minimum 86 octane) DO NOT use E85 fuel.
Air cleaner type	Foam element or paper
Spark plug type	NGK: BP6ES, **BPR6ES, BPR6ES/ AUTOLITE: 63/AC DELCO: R41XL, R42XLS, R43FS, R43XL, R43XLS, R44XLS, R45XLS or equivalent
Spark plug gap	0.028-0.031" (0.70-0.80 mm)
Fuel shut off solenoid	Yes
Idle control	Without
Electric starter	Without
Max. recommended tilt angle	< 25 °
Receptacles	
120V 20 Amp Duplex +	Yes (2)
120/240V 30 A Twist-Locking +	Yes (1)
General	
Dimensions * (in./cm) (L x W x H)	27 X 21 22/68 X 54 X 55
Dry Weight *	190 lbs. (86 kg)
• Dimensions do not include wheel kit.	
* Gross horsepower (HP). This horsepower rating represents the maximum output under laboratory conditions at 3600 RPM in accordance with SAE (Society of Automotive Engineers) J1995 and should be used for comparison purposes only. Actual engine output will be lower and will vary depending on the application, speed and other variables including altitude and temperature.	
**This spark plug complies with Canadian Standard ICES-002	
+ When using the receptacles, you must connect through a GFCI protected spider box or use an in-line GFCI adapter.	

Model	PCI5000-B2
Alternator	
Type	220V AC 2 Pole AVR
Excitation	Brushed
Max AC Output (Watts)	5200
Rated AC Output (Watts) continuous	4800
Rated Current (A)	21 A
Phase	Single
Frequency (HZ)	50
Engine	
Horse Power (*Gross HP)	*13
Displacement (CC)	389
Fuel Tank Capacity gal (L)	6.6 (25)
Oil Capacity (L)	1.1
Recommended Oil	See Oil Recommendations
Low Oil Shutdown	Yes
Starting system	Recoil
Type	Air cooled, 4 cycle single cylinder, spark ignited
Fuel	Regular, unleaded gasoline (minimum 86 octane) DO NOT use E85 fuel.
Air cleaner type	Foam element or paper
Low oil shut down	Equipped
Fuel	Equipped
Spark plug type	NGK: BP6ES, **BPR6ES, BPR6ES/ AUTOLITE: 63/AC DELCO: R41XL, R42XLS, R43FS, R43XL, R43XLS, R44XLS, R45XLS or equivalent
Spark plug gap	0.028-0.031" (0.70-0.80 mm)
Fuel shut off solenoid	Yes
Idle control	Without
Electric starter	Without
Max. recommended tilt angle	< 25
Receptacles	
220V, 16A	Yes (3)
General	
Dimensions * (in./cm) (L x W x H)	27 X 21 22/68 X 54 X 55
Dry Weight *	190 lbs. (86 kg)
• Dimensions do not include wheel kit.	
* Gross horsepower (HP). This horsepower rating represents the maximum output under laboratory conditions at 3600 RPM in accordance with SAE (Society of Automotive Engineers) J1995 and should be used for comparison purposes only. Actual engine output will be lower and will vary depending on the application, speed and other variables including altitude and temperature.	
**This spark plug complies with Canadian Standard ICES-002	
+ When using the receptacles, you must connect through a GFCI protected spider box or use an in-line GFCI adapter.	

Model	PCI5000-AR
Alternator	
Type	220V AC 2 Pole AVR
Excitation	Brushed
Max AC Output (Watts)	5200 VA max.
Rated AC Output (Watts) continuous	4140 VA
Phase	Single
Frequency (HZ)	50
Engine	
Horse Power (*Gross HP)	*13
Displacement (CC)	389
Fuel Tank Capacity gal (L)	6.6 (25)
Oil Capacity (L)	1.1
Recommended Oil	See Oil Recommendations
Low Oil Shutdown	Yes
Starting system	Recoil
Type	Air cooled, 4 cycle single cylinder, spark ignited
Fuel	Regular, unleaded gasoline (minimum 86 octane) DO NOT use E85 fuel.
Air cleaner type	Foam element or paper
Low oil shut down	Equipped
Fuel	Equipped
Spark plug type	NGK: BP6ES, **BPR6ES, BPR6ES/ AUTOLITE: 63/AC DELCO: R41XL, R42XLS, R43FS, R43XL, R43XLS, R44XLS, R45XLS or equivalent
Spark plug gap	0.028-0.031" (0.70-0.80 mm)
Fuel shut off solenoid	Yes
Idle control	Without
Electric starter	Without
Max. recommended tilt angle	< 25
Receptacles	
220V, 15A +	Yes (3)
General	
Dimensions * (in./cm) (L x W x H)	27 X 21 22/68 X 54 X 55
Dry Weight *	190 lbs. (86 kg)
• Dimensions do not include wheel kit.	
* Gross horsepower (HP). This horsepower rating represents the maximum output under laboratory conditions at 3600 RPM in accordance with SAE (Society of Automotive Engineers) J1995 and should be used for comparison purposes only. Actual engine output will be lower and will vary depending on the application, speed and other variables including altitude and temperature.	
**This spark plug complies with Canadian Standard ICES-002	
+ When using the receptacles, you must connect through a GFCI protected spider box or use an in-line GFCI adapter.	

ASSEMBLY

GROUNDING THE GENERATOR

A grounding nut (X, Fig. 3) is supplied with the generator for use when required by local electrical ordinances. Your local electric company or a certified electrician should be able to help you with this information.

USE OF EXTENSION CORDS

⚠ WARNING: Use only grounded extension cords. Use only three wire or double-insulated power tools.

Only use grounded extension cords that are rated for outdoor use and equipment with a third-wire ground. It is recommended that GFCI protected spider box or inline GFCI adapter are used when connecting to any of the generator's receptacles.

When a long extension cord is used to connect an appliance or tool to the generator, a voltage drop occurs. The longer the cord, the greater the voltage drop. This results in less voltage being supplied to the appliance or tool and increases the amount of current (amp) draw or reduces performance. A heavier cord with a larger wire size will reduce the voltage drop. Be sure to choose a cord that will supply enough voltage to operate your tool or appliance. The tables indicate appropriate gauge for extension cords and the voltage drop caused by the use of extension cords, given different electrical loads.

⚠ CAUTION: Operating equipment at low voltage can cause it to overheat. Using an excessively long extension cord can cause the cord to overheat.

⚠ WARNING: Keep electrical cords in good condition. Do not use worn, bare or frayed cords because they can cause electrical shock.

Minimum gauge for Extension Cord Sets				
Volts	Total Length of Cord in Feet			
120V	0-25 (0-6.7 m)	26-50 (7.9-15.2 m)	51-100 (15.5-30.5 m)	101-150 (30.8-45.7 m)
240V	0-50 (0-15.2 m)	51-100 (15.5-30.5 m)	101-200 (30.8-60.9 m)	201-300 (61.2-91.4 m)
Ampere Rating	AWG			
0-10	16	16	14	14
10-13	16	16	14	12
13-16	14	14	12	12
16-25	12	12	12	10
25-30	10	10	10	Not Recommended

Extension Cord Length	Amp Load	Voltage Drop			
		16 AWG	14 AWG	12 AWG	10 AWG
25 Foot 7.6 m	10 A	2.0	1.3	0.8	0.5
	15 A	3.0	1.9	1.2	0.8
	20 A	4.0	2.5	1.6	1.1
	30 A	6.0	3.8	2.3	1.6
50 Foot 15.2 m	10 A	4.0	2.5	1.6	1.1
	15 A	6.0	3.8	2.3	1.6
	20 A	8.0	5.0	3.1	2.1
	30 A	12.0	7.5	4.7	3.2

100 Foot 30.5 m	10 A	8.0	5.0	3.1	2.1
	15 A	12.0	7.5	4.7	3.2
	20 A	16.0	10.0	6.2	4.2
	30 A	24.0	15.0	9.3	6.3
150 Foot 45.7 m	10 A	12.0	7.5	4.7	3.2
	15 A	18.0	11.3	7.0	4.7
	20 A	24.0	15.0	9.3	6.3
	30 A	36.0	22.5	14.0	9.5

ACCESSORIES ASSEMBLY

Accessories available for generators include content shown in Fig 4.

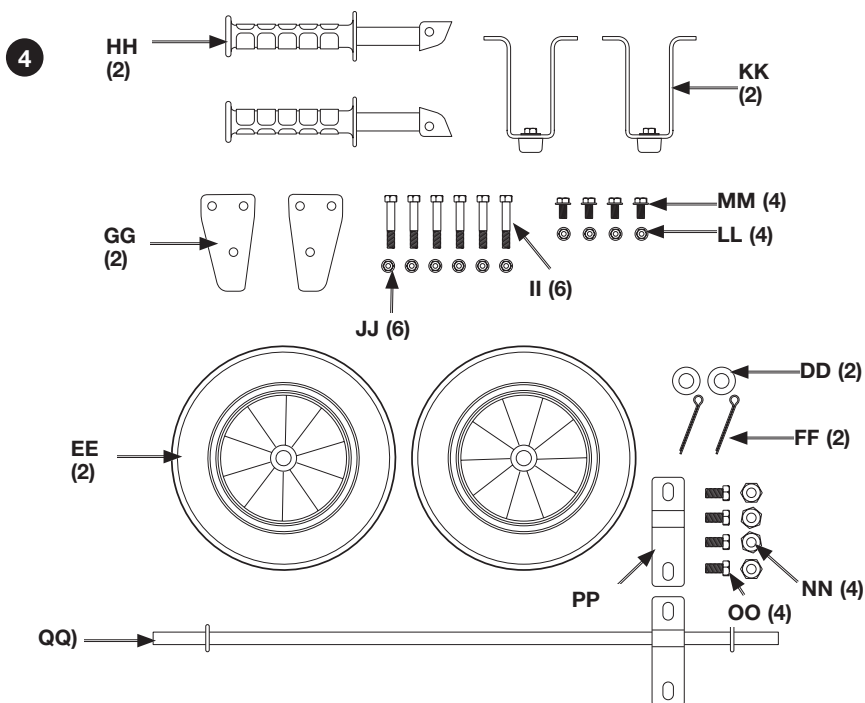
NOTE: Two people are needed for these installations. Install the wheel kit before adding gasoline or engine oil to prevent damage to the engine. If accessories are being installed after running the generator, make sure the gas tank is empty, the fuel shut-off valve is turned to the OFF position (horizontal to the ground) and the oil is drained from the engine.

NOTE: After approximately 20 hours of operation, accessory bolts may loosen. Tighten them as needed.

Wheel Kit Assembly (PCI5000 only)

⚠ CAUTION: Risk from Lifting. The generator may be too heavy to be lifted by one person. Obtain assistance from others before lifting.

1. Carefully tilt the generator so it rests on the engine side.
2. Install the two stands (KK) at the lower chassis. Use Bolts (MM) and nuts (LL) for this step.
3. Install the axle (QQ) to the lower chassis. Use bolts (OO), nuts (NN) and axle strap (PP) for this step.
4. Slide the wheels (EE) on the axle.



Then slide the two washers (DD) on each end of the axle and secure with cotter pins (FF), bend one side of cotter pins.

- Place the generator upright so it is resting on the wheels and stands.

Handle Kit Assembly

- Install handles on the engine side of the generator by securing each bracket (GG) with bolts (II) and nuts (JJ).
- Place handle assembly (HH) onto each bracket (GG) and secure each with remaining bolts (II) and nuts (JJ)
- Tighten the bolts until the assembly is snug.

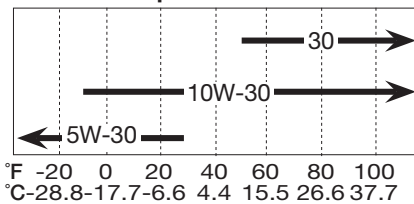
ADD ENGINE OIL AND FUEL

CAUTION: The engine **IS NOT** filled with oil from the factory. Oil must be added to the engine before operating or damage to engine may occur.

Oil Recommendations

SAE10W-30 is recommended for general use. Refer to the Viscosity-Ambient Temperature Chart for recommended oil within your local area's average temperature range. **NOTE:** Synthetic oil is NOT recommended.

Viscosity-Ambient Temperature Chart



To add oil (Fig. 2)

- Refer to Viscosity-Ambient Temperature Chart for correct viscosity.
- Remove dipstick (L).
- Slowly add recommended oil, see specifications for oil capacity. **NOTE:** If the oil is added too quickly, it will overflow and appear to be full.

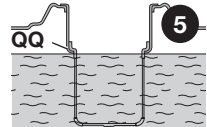
See **To Check Oil** under *Maintenance* for instructions.

Add fuel to generator (FIG. 1, 5)

⚠ WARNING: Risk of explosion or fire. Gasoline vapor is highly flammable. Refuel outdoors preferably or only in well-ventilated areas. Do not refuel or check gasoline level while the engine is running. Do not store, spill or use gasoline near an open flame, a source of sparks (such as welding), or near operating electrical equipment. Do not smoke when filling fuel tank.

- Remove fuel cap (D).
- Add fresh, clean, regular unleaded gasoline with a minimum of 86 octane to the fuel tank (E). **NOTE:** Do not mix oil with gasoline.

⚠ WARNING: Never fill fuel tank completely. Do not fill above the shoulders on the debris screen (QQ) as shown to provide space for fuel expansion. Wipe any fuel spillage from engine and equipment before starting engine.



- Replace the fuel cap on the tank. Turn the cap clockwise until it stops.

Oxygenated Fuels

Some conventional gasolines are blended with alcohol or an ether compound. These gasolines are collectively referred to as oxygenated fuels. To meet clean air standards, some areas use oxygenated fuel to help reduce emissions.

If you use an oxygenated fuel, be sure it is unleaded and meets the 86 minimum octane rating requirements. Before using an oxygenated fuel, try to confirm the fuel's contents. Some areas require this information to be posted on the pump.

Ethanol (ethyl or grain alcohol) 10% by volume. You may use gasoline containing up to 10% ethanol by volume. Gasoline containing ethanol may be marketed under the name gasohol.

CAUTION: Risk of property damage. DO NOT use E85 fuel.

MTBE (methyl tertiary butyl ether)
15% by volume. You may use gasoline containing up to 15% MTBE by volume.

Methanol (methyl or wood alcohol)
5% by volume. You may use gasoline containing up to 5% methanol by volume as long as it also contains solvents and corrosion inhibitors to protect the fuel system. Gasoline containing more than 5% methanol by volume may cause starting and/or performance problems. It may also damage metal, rubber and plastic parts of the engine or your fuel system.

If you notice any undesirable operating symptoms, try another service station or switch to another brand of gasoline.

NOTE: Fuel system damage or performance problems resulting from the use of an oxygenated fuel containing more than the percentages of oxygenates mentioned above are not covered under warranty.

LOCATION

⚠ DANGER: Risk to breathing. Exhaust from the gasoline engine contains deadly carbon monoxide, which is odorless and toxic. Operate engine only outside in clean, dry, well-ventilated areas.

Noise Considerations

Consult local officials for information regarding acceptable noise levels in your area.

FEATURES (FIG. 1–3)

Engine On/Off Switch

The engine On/Off switch (Z) must be in the ON position to start the generator. To stop the generator, place switch in the OFF position. See **Starting and Stopping** under *Operation* for complete starting and stopping instructions.

Main Breaker

The main breaker (AA) protects the alternator. Overloading the generator will trip the main breaker. A short circuit in an electrical device being powered can also trip the main breaker. If the main breaker trips:

1. Disconnect the electrical loads from all receptacles.
2. Place the main breaker (AA) in the OFF position and then back into the ON position to reset.

IMPORTANT: If the main breaker turns to the OFF position when no electrical loads are connected, contact a Customer Care Center.

Voltage Selector Switch

PCI2800-B3, PCI5000-B3

This switch (Y) allows the generator to operate in either single voltage (120V) or dual voltage (120/240V) mode. When placed in the 120V position it allows you to receive the full capacity of the generator by using all the receptacles. When placed in the 120/240 position, you will only be able to receive half the available watts when using the 120 volt receptacles and the full available watts when using the 240V 4-prong twist-lock receptacle.

NOTE: Do not move the voltage selector switch (Y) while powering electrical devices. Disconnect all electrical loads before moving the switch. Failure to disconnect electrical loads could damage the switch.

Receptacles (Fig. 3)

The receptacles are protected by the main breaker.

NOTE: The receptacles (BB, CC) are not protected by a GFCI. Use a GFCI protected spider box or GFCI adapter to connect loads to the receptacle.

LOW OIL PROTECTION

Low oil shutdown is a device designed to protect the engine from damage in the event the oil level in the crankcase is low.

If while the engine is running, the oil gets low, it will automatically shut itself down and will not restart until the oil is added. If the oil is low before start-up, the generator will not start until oil is added.

NOTE: The low oil shutdown mechanism is very sensitive. You must fill the engine to the full mark on the dipstick.

OPERATION

PRE-START CHECKLIST (FIG. 3)

⚠ WARNING: Do not operate this unit until you read and understand this instruction manual and the engine instruction manual for safety, operation and maintenance instructions.

⚠ CAUTION: Always check engine oil level before every start. Running engine low of oil or out of oil could result in serious damage to the engine.

Follow the steps listed below before starting generator:

1. Place unit on level surface.
2. Check engine oil. Refer to **Oil Recommendations** under *Assembly* and **Product Specifications** for correct grade and quantity of oil.

CAUTION: Do not operate engine without oil or with inadequate oil. PORTER CABLE is not responsible for engine failure caused by inadequate oil.

3. Check fuel level, fill as required. See **Add Engine Oil and Fuel** under *Assembly*.
4. Make sure generator is grounded in accordance with local requirements. See **Grounding the Generator** under *Assembly*.
5. All electrical loads **MUST** be disconnected and main breaker (AA) in the OFF position.

⚠ CAUTION: Engine speed has been factory set to provide safe operation. Tampering with the engine speed adjustment could result in overheating of attachments and could cause a fire. Never attempt to “speed-up” the engine to obtain more performance. Both the output voltage and frequency will be thrown out of standard by this practice, endangering attachments and the user. Tampering may cause damage to the generator and voids the warranty.

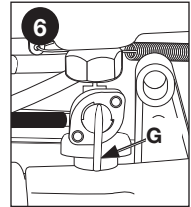
⚠ CAUTION: Unplug any load from the generator before starting to prevent permanent damage to any appliances.

STARTING GENERATOR – (FIG. 1–3, 6–9)

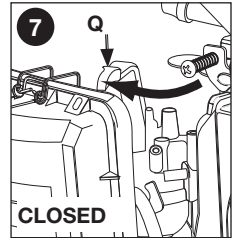
⚠ WARNING: Do not operate this unit until you read this instruction manual for safety, operation and maintenance instructions.

1. Disconnect all electrical loads from the generator and place the main breaker (AA) in the OFF position.

2. Turn the fuel shut-off valve (G) on the gas tank to the vertical (OPEN) position as shown.



3. If the engine is cold, move the choke (Q) to the C L O S E D position shown. If the engine is hot, move the choke to O P E N position.



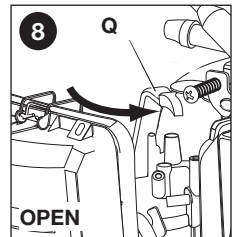
4. Turn engine On/Off switch (Z) to the ON position.
5. Pull the starter grip (J) slowly until you feel compression then pull briskly.

NOTE: Do not allow the starter grip to snap back. Return it slowly by hand.

NOTE: If the oil level in the engine is low, the engine will not start. If the engine does not start, check the oil level and add oil as needed.

NOTE: To ensure maximum oil lubrication, place the generator on a level surface.

6. As the engine warms up, move the choke (Q) to the O P E N position.



7. Allow the engine to warm up for five minutes.

Then place the main breaker (AA) in the ON position. Connect electrical loads, see **Connecting Electrical Loads** under *Operation*.

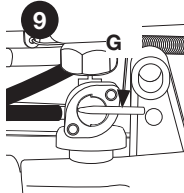
NOTE: If any unusual noise or vibration is noticed, stop the engine and refer to the troubleshooting section.

STOPPING GENERATOR (FIG. 3, 9)

To stop the engine in an emergency, move the engine On/Off switch (Z) to the OFF position.

To Stop Generator During Normal Operation:

1. Disconnect all electrical loads attached to the generator.
2. Move the engine On/Off switch (Z) in the OFF position.
3. Turn the fuel shut-off valve (G) on the gas tank to the horizontal (CLOSED) position as shown.



CONNECTING ELECTRICAL LOADS (FIG. 3)

1. Allow the engine to warm up for five minutes. Then place the main breaker (AA, Fig. 3) in the ON position.

Connect loads in the following manner to prevent damage to equipment:

2. Connect inductive load equipment first. Inductive loads consist of refrigerators, freezers, water pumps, air conditioners or small hand tools. Connect the items that require the most wattage first.
3. Connect the lights next.
4. Voltage sensitive equipment should be the last equipment connected to the generator. Plug voltage sensitive appliances such as TV's, VCR's, microwaves, ovens, computers and cordless telephones into a UL listed voltage surge protector, then connect the UL listed voltage surge protector to the generator.

⚠ WARNING: Failure to connect and operate equipment in this sequence can cause damage to equipment and will void the warranty on your generator.

OPERATING HEAVY LOADS

DO NOT exceed the current limit specified on the control panel for any receptacle.

HIGH ALTITUDE OPERATING

At high altitude, the standard carburetor air-fuel mixture will be too rich. Performance will decrease and fuel consumption will increase. A very rich mixture will also foul the spark plug and cause hard starting.

High altitude performance can be improved by specific modifications to the carburetor. If you always operate your engine at altitudes above 1,524 meters (5,000 feet), have your authorized service center perform a carburetor modification.

Even with a carburetor modification, engine horsepower will decrease about 3.5% for each 300 meter (1,000 feet) increase in altitude. The effect of altitude on horsepower will be greater than this if no carburetor modification is made. A decrease in engine horsepower will decrease the power output of the generator.

NOTE: When the carburetor has been modified for high altitude operation, the air-fuel mixture will be too lean for low altitude use. If the generator is used at low altitudes after a carburetor modification, the carburetor may cause the engine to overheat and result in serious engine damage. For use at low altitudes, have your authorized service center return the carburetor to original factory specifications.

HIGH AND LOW TEMPERATURE OPERATION

Air temperature affects generator output. Output drops 1% for each 10°F temperature rise above 60° F. Very low temperature may cause the engine to be hard to start.

MAINTENANCE

IMPORTANCE OF MAINTENANCE

Good maintenance is essential for safe, economical and trouble-free operation. It will also help reduce air pollution.

⚠ WARNING: Improper maintenance or failure to correct a problem before operation can cause malfunction, serious injury or death. Always follow the inspection and maintenance recommendation and schedules in this manual.

The following pages include a maintenance schedule, routine inspection procedures and simple maintenance procedures using basic hand tools to help you properly care for your generator. If you are not comfortable with any maintenance procedure, contact a Customer Care Center.

Maintenance, replacement or repair of the emission control devices and system may be performed by any engine repair establishment or individual using parts that are certified to EPA standards.

MAINTENANCE SAFETY

⚠ WARNING: Do not operate this unit until you read and understand this instruction manual and the engine instruction manual for safety, operation and maintenance instructions..

Safety precautions

⚠ WARNING: Make sure the engine is off before beginning any maintenance or repairs. This will eliminate several potential hazards, including:

- carbon monoxide poisoning from engine exhaust. Be sure there is adequate ventilation whenever you operate the engine.
- burns from hot parts. Let the engine and exhaust system cool before you touch it to prevent burns.

- injury from moving parts. Wear appropriate clothing, tie back long hair, and stay alert around the generator to prevent injury from moving parts.

⚠ WARNING: To reduce the possibility of fire or explosion, be careful when working around gasoline. Use only a nonflammable solvent, not gasoline, to clean parts. Keep smoking products, sparks and flames away from all fuel related parts.

Read all instructions before beginning and make sure you have the tools and skills required. A PORTER CABLE factory service center or a PORTER CABLE authorized service center knows your generator best and is fully equipped to do maintenance and repair. To ensure the best quality and reliability, use only new genuine parts or their equivalents for repair or replacement.

GENERAL MAINTENANCE

⚠ WARNING: Contact with a hot engine or exhaust system can cause serious burns or fires. Let the engine and muffler cool before storing the generator.

NOTE: All generators contain maintenance parts (e.g. oil, filters, etc.) that are periodically replaced. These used parts may contain substances that are regulated and must be disposed of in accordance with local and national laws and regulations.

NOTE: Take note of the positions and locations of parts during disassembly to make reassembly easier.

NOTE: Any service operations not included in this section should be performed by a PORTER CABLE factory service center or a PORTER CABLE authorized service center.

The following procedures must be followed when maintenance or service is performed on the generator.

MAINTENANCE CHART

Procedure	Daily	50 hours or weekly (whichever comes first)	100 hours	150 hours or monthly (whichever comes first)	500 Hours
Clean generator's exterior		X			
Check oil level	X				
Change oil			X*(1)		
Clean air filter			X(1)		
Clean spark plugs					X
Check fuel line, hose clamps and fuel tank	X				
Oil leak inspection	X				
Sediment cup					X
Clean fuel tank and filter					X(2)
Check for unusual noise/vibration	X				
Check and adjust valve clearance (.15 mm intake, .2 mm exhaust)				X (2)	
Prepare unit for Storage	Prepare unit for storage if it is to remain idle for more than 30 days				
* The engine oil must be changed after the first 20 hours of operation. Thereafter change oil every 150 hours of operation or monthly, whichever comes first.					
(1) Perform more frequently in dusty or humid conditions					
(2) Contact a Customer Care Center.					

GENERATOR

Cleaning

⚠ WARNING: When cleaning, use only mild soap and a damp cloth on plastic parts. Many household cleaners contain chemicals which could seriously damage plastic. Also, do not use gasoline, turpentine, lacquer, paint thinner, dry cleaning fluids or similar products which may seriously damage plastic parts. Never let any liquid get inside the tool; never immerse any part of the tool into a liquid.

The generator should be kept clean and dry at all times. The generator should not be stored or operated in environments that include excessive moisture, dust or any corrosive vapors. If these substances are on the generator, clean with a cloth or soft bristle brush. Do not use a garden hose or anything with water pressure to clean the generator. Water may enter the cooling air slots

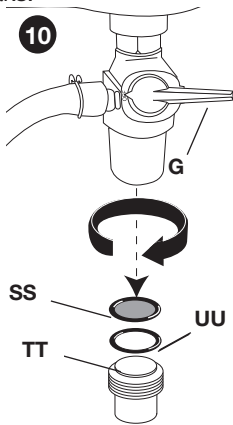
and could possibly damage the rotor, stator and the internal windings of the alternator.

FUEL SEDIMENT CUP CLEANING (FIG. 1, 10)

The sediment cup prevents dirt or water, which may be in the fuel tank from entering the carburetor. If the engine has not been run for a long time, the sediment cup should be cleaned.

1. Turn the fuel shut-off valve (G) to the OFF position (horizontal to the ground). Remove the sediment cup (TT), O-ring (UU) and screen (SS) as shown.
2. Clean the sediment cup, O-ring and screen in nonflammable or high flash point solvent.
3. Reinstall O-ring, screen and sediment cup.

- Turn the fuel shut-off valve to the OPEN position and check for fuel leaks.



CLEANING AIR FILTER ELEMENT (FIG. 1, 11)

⚠ WARNING: Hot surfaces. Risk of burn. Engine and surrounding parts are very hot, do not touch (see the Hot Surfaces identified in Figure 1 and 2). Allow engine to cool prior to servicing.

A dirty air cleaner will restrict airflow to the carburetor. To prevent carburetor malfunction, service the air filter regularly. Service more frequently when operating the engine in extremely dusty areas.

⚠ WARNING: Using gasoline or flammable solvent to clean the filter element can cause a fire or explosion.

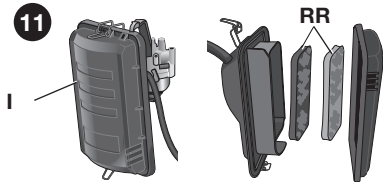
⚠ WARNING: Risk of fire. Do not operate without air filter.

To Clean the elements

⚠ WARNING: When using compressed air, user always must wear eye protection that conforms to ANSI Z87.1. (CAN/CSA Z94.3) and NIOSH/OSHA respiratory protection or a properly fitting face mask.

- Unsnap the air filter cover (I) clips and remove the air cleaner cover.
- Remove the element from air filter.
- Wash element(s) (RR) in a solution of household detergent and warm

water, then rinse thoroughly, or wash in nonflammable or high flash point solvent. Allow the element(s) to dry thoroughly.



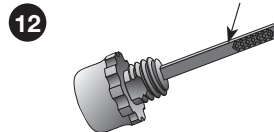
- Soak the element in clean engine oil and squeeze out the excess oil. **NOTE:** The engine will smoke during initial start-up if too much oil is left in the element.
- Reinstall the air filter element and snap air filter cover in place.

OIL

⚠ WARNING: Hot surfaces. Risk of burn. Engine and surrounding parts are very hot, do not touch (see the Hot Surfaces identified in Figure 1 and 2). Allow engine to cool prior to servicing.

To Check oil (fig. 2, 12)

- Place unit on a flat level surface.
- Remove oil fill/dipstick (L) and wipe clean.
- Reinsert oil fill/dipstick fully into oil fill port and tighten. Allow oil to collect on the dipstick for a few seconds.
- Remove oil fill dipstick to read oil level. If oil falls below top of pattern on dipstick, add oil. **NOTE:** Patterns may differ according to engine.



NOTE: When filling the crankcase, allow the oil to flow very slowly. If the oil is added too quickly, it will overflow and appear to be full.

- Replace dipstick and tighten securely.

To change oil (fig. 2)

NOTE: Engine oil contains substances that are regulated and must be disposed of in accordance with local, state, provincial and federal laws and regulations.

1. Disconnect spark plug wire.
2. Locate a suitable container under oil drain plug (K).
3. Remove the oil fill/dipstick (L) from crankcase.
4. Remove the oil drain plug (K).
5. Allow ample time for all oil to drain out.
6. Install the oil drain plug.
7. Fill with recommended oil, refer to **Oil Recommendations** under *Assembly*.
8. Replace dipstick and tighten securely.
9. Reconnect spark plug wire.
10. Dispose of oil according to local or national laws and regulations.

SPARK PLUG (FIG. 2, 13)

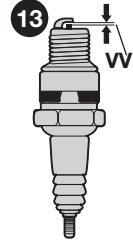
Use recommended spark plugs, see **Product Specifications** for correct spark plug. To ensure proper engine operation, the spark plug must be properly gapped and free of deposits.

▲ WARNING: If the engine has been running, the muffler will be very hot. To reduce the risk of injury, allow cooling before proceeding.

1. Remove the spark plug cap.
2. Clean any dirt from around the spark plug base.
3. Use a spark plug wrench (not supplied) to remove the spark plug.
4. Visually inspect the spark plug. Replace it if the insulator is cracked or chipped. Clean the spark plug with a wire brush if it is going to be reused.

▲ WARNING: Always wear certified safety equipment: ANSI Z87.1 eye protection (CAN/CSA Z94.3) with side shields.

5. Measure the plug gap with a feeler gauge (VV). Correct as necessary by carefully bending the side electrode. See **Product Specifications** for correct gap.



6. Make sure the spark plug washer is in good condition. Thread the spark plug in by hand to prevent cross threading.
7. After the spark plug is seated, tighten with a spark plug wrench to compress the washer. If installing a new spark plug, tighten the spark plug 1/2 turn after it seats to compress the washer. If reinstalling a used spark plug, tighten 1/8–1/4 turn after the spark plug seats to compress the washer. Do not overtighten.
8. Securely replace spark plug cap.

NOTE: The spark plug must be securely tightened. An improperly tightened spark plug can become very hot and could damage the engine. Never use spark plugs which have an improper heat range. Use only the recommended spark plugs or equivalent.

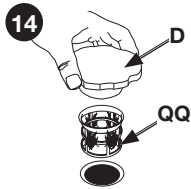
DRAIN CARBURETOR BOWL (FIG. 1, 2)

1. Place the fuel valve lever (G) in the closed position (horizontal to ground).
2. Place an OSHA-approved container suitable for fuel under the carburetor bowl (P). **NOTE:** Using a funnel will allow the fuel to flow into the container with less spillage.
3. Remove the carburetor bowl drain (M).
4. Fuel will drain from carburetor bowl.
5. When drained, replace carburetor bowl drain.

CLEANING DEBRIS SCREEN (FIG. 1, 14)

⚠ WARNING Risk of explosion or fire. Gasoline vapor is highly flammable. Refuel outdoors only in well-ventilated areas. Do not refuel or check gasoline level while the engine is running. Do not store, spill or use gasoline near an open flame, a source of sparks (such as welding), or near operating electrical equipment.

1. Remove fuel cap (D).
2. Remove debris screen (QQ).
3. Clean debris screen. Use compressed air to blow off debris.



⚠ WARNING: When using compressed air, user always must wear eye protection that conforms to ANSI Z87.1. (CAN/CSA Z94.3).

4. Replace debris screen and fuel cap.

TRANSPORTING

⚠ WARNING: Units are heavy. Observe safe lifting procedures when transporting.

Before transporting generator, make sure to:

1. Place engine On/Off switch in the OFF position.
2. Place the fuel valve lever on gas tank in the CLOSED position.
3. Keep generator level at all times to prevent fuel spillage. Fuel vapor or spilled fuel may ignite.

⚠ WARNING: Contact with a hot engine or exhaust system can cause serious burns or fire. Let the engine and muffler cool before transporting the generator.

STORAGE

Generator

⚠ WARNING: Never store generator with fuel in the tank indoors or in enclosed, poorly ventilated areas, where fumes can reach an open flame, spark or pilot light as on a furnace, water heater, clothes dryer or other gas appliances.

1. Clean the generator as outlined under *Maintenance*.
2. Check that cooling air slots and openings on generator are open and unobstructed.

Engine

⚠ WARNING: If the engine has been running, the muffler will be very hot. To reduce the risk of injury, allow engine to cool before proceeding.

If storing the unit for more than thirty days drain all fuel out of fuel lines, tank and carburetor bowl. Drain oil and refill with fresh, clean oil. **IMPORTANT:** Fuel will oxidize and deteriorate in storage. If fuel is allowed to deteriorate during storage the carburetor and fuel related parts will need to be serviced. **NOTE:** Fuel stabilizer can be used to lengthen the fuel life, follow the fuel stabilizer's recommended instructions.

SERVICE

REPLACEMENT PARTS

Use only identical replacement parts. You can also order parts from your nearest service center.

SERVICE AND REPAIRS

All quality tools will eventually require servicing and/or replacement of parts. All repairs made by our service centers are fully guaranteed against defective material and workmanship. We cannot guarantee repairs made or attempted by others.

TROUBLESHOOTING GUIDE

This section provides a list of the more frequently encountered malfunctions, their causes and corrective actions. The operator or maintenance personnel can perform some corrective actions, and others may require the assistance of a qualified PORTER CABLE technician or your dealer.

Problem

Code

Engine will not start..... 1, 2, 3, 4, 14, 15, 16, 17, 18, 19, 20, 21, 27

No electrical output 5, 6, 7, 8, 9, 10, 12, 13

NOTE: If there is still no power at the receptacles, Contact a Customer Care Center.

Repeated main breaker tripping..... 9, 10

Generator overheating..... 9, 11

Engine does not continue to run after starting .. 1, 2, 3, 14, 16, 18, 19, 20, 21, 27

Knocking noise.....23

Over speed or low speed..... 24, 25, 26

Low power..... 16, 19, 22, 23

CODE	POSSIBLE CAUSE	POSSIBLE SOLUTION
1	Engine On/Off switch in OFF position.	Turn to ON position
2	Choke in wrong position	Adjust choke accordingly
3	Fuel shut-off valve in closed position	Open fuel shut-off valve
4	Unit loaded during start-up	Remove load from unit
5	Faulty receptacle	Contact a Customer Care Center.
6	Receptacle thermal circuit breaker tripped	Depress and reset
7	Defective capacitor	Contact a Customer Care Center.
8	Faulty power cord	Repair or replace cord
9	Generator overloaded	Reduce load
10	Faulty cords or equipment	Check for damaged, bare or frayed wires on equipment. Replace.
11	Insufficient ventilation	Move to adequate supply of fresh air
12	Faulty windings in stator	Contact a Customer Care Center.
13	Faulty wire harness	Contact a Customer Care Center.
14	Low or no fuel	Add fuel
15	Bad fuel	Drain fuel tank and replace with fresh, clean, regular unleaded gasoline with a minimum of 86 octane
16	Low oil	Add oil

CODE	POSSIBLE CAUSE	POSSIBLE SOLUTION
17	Faulty spark plug	Replace spark plug
18	Spark plug cap loose	Attach spark plug cap securely
19	No or low compression	Tighten spark plug. If problem is not corrected, contact a PORTER CABLE factory service center or a PORTER CABLE authorized service center.
20	No spark	Check spark plug wire. If problem is not corrected, contact a Customer Care Center.
21	Spark plug fouling is sooty or sticky black	<ul style="list-style-type: none"> a. Clean spark plug. See Spark Plug under <i>Maintenance</i>. b. Check spark plug gap, adjust if needed. See Spark Plug under <i>Maintenance</i>. c. Replace spark plug. See Specifications. d. If engine still fails to start, contact a Customer Care Center.
22	Dirty air filter	Clean or replace the air filter elements
23	Improper valve clearances	Reset valve clearances. Contact a Customer Care Center.
24	Governor linkage stuck or bent	Contact a Customer Care Center.
25	Throttle shaft stuck	Contact a Customer Care Center.
26	Governor spring bent or lost	Contact a Customer Care Center.
27	Dirty carburetor	Contact a Customer Care Center.

DEFINICIONES DE NORMAS DE SEGURIDAD

Este manual contiene importante información para que usted sepa y comprenda. Esta información se relaciona con la protección de SU SEGURIDAD Y LA PREVENCIÓN DE PROBLEMAS AL EQUIPO. Para ayudarlo a reconocer esa información, utilizamos los símbolos indicados más abajo. Sírvase leer el manual y prestar atención a dichos símbolos.

⚠ PELIGRO: Indica una situación de peligro inminente que, si no se evita, **provocará** la muerte o **lesiones graves**.

⚠ ADVERTENCIA: Indica una situación de peligro potencial que, si no se evita, **podría** provocar la muerte o **lesiones graves**.

⚠ ATENCIÓN: Indica una situación de peligro potencial que, si no se evita, **posiblemente** provocaría **lesiones leves o moderadas**.

ATENCIÓN: Utilizado sin el símbolo de alerta de seguridad indica una situación de peligro potencial que, si no se evita, **puede** provocar **daños en la propiedad**.

INSTRUCCIONES IMPORTANTES DE SEGURIDAD

⚠ PELIGRO: Monóxido de carbono. Usar un motor en interiores lo matará en minutos. El escape del motor contiene altos niveles de monóxido de carbono (CO), un gas venenoso que no se puede ver ni oler. Puede estar inhalando CO aún si no huele los gases del escape del motor.

- **NUNCA** use un motor en el interior de casas, garajes, sótanos u otras áreas parcialmente cerradas. En esas áreas se pueden acumular niveles mortales de monóxido de carbono. Usar un ventilador o abrir las ventanas **NO** suministra suficiente aire fresco.
- **ÚSELO SOLAMENTE** en exteriores y lejos de ventilaciones, puertas y ventanas abiertas. Estas aberturas pueden atraer el escape del motor.
- Aun cuando el motor se use correctamente, el CO se puede infiltrar en su hogar. Dentro de la casa, utilice **SIEMPRE** una alarma contra CO a batería o con batería de reserva (no suministrada). Antes de usar la alarma contra CO, lea y siga todas las instrucciones. Si comienza a sentir náuseas, mareos o debilidad, vaya a un lugar con aire fresco de inmediato. Consulte a un médico. Es posible que se haya envenenado con monóxido de carbono.
- **⚠ ADVERTENCIA:** No opere esta unidad hasta que haya leído este manual de instrucciones de seguridad, operación y mantenimiento.

CONSERVE ESTAS INSTRUCCIONES



⚠️ PELIGRO: RIESGO DE ELECTROCUCIÓN E INCENDIO

¿QUÉ PUEDE SUCEDER?

CÓMO EVITARLO

- | | |
|---|--|
| <ul style="list-style-type: none">• La retroalimentación de electricidad a través del sistema eléctrico de un edificio podría poner en peligro a las personas que intentan restablecer el servicio.• El intento de conectarlo a un servicio público entrante podría producir la electrocución.• El restablecimiento del servicio eléctrico mientras el generador está conectado al servicio entrante podría provocar un incendio o daños graves si no hay un interruptor de transferencia de doble polo instalado.• Si no utiliza este tipo de interruptores al hacer una conexión al sistema eléctrico de una estructura, puede dañar los aparatos y ANULAR la garantía del fabricante. | <ul style="list-style-type: none">• Nunca retroalimente electricidad a través del sistema eléctrico de una estructura.• Para conectarlo al sistema eléctrico de una estructura en forma segura, siempre haga que un electricista calificado le instale un interruptor de transferencia de doble polo y que esta instalación cumpla con las ordenanzas locales. (Se necesitará cableado de un mínimo de calibre 10 para instalar el interruptor de transferencia de doble polo). |
| <ul style="list-style-type: none">• El agua es conductora de electricidad. El agua que entra en contacto con componentes cargados eléctricamente puede transmitir electricidad a la estructura u otras superficies, lo que daría una descarga eléctrica a cualquiera que esté en contacto con ellas. | <ul style="list-style-type: none">• Haga funcionar el generador en un área limpia, seca y bien ventilada. Asegúrese de que sus manos estén secas antes de tocar la unidad. |
| <ul style="list-style-type: none">• El contacto con cables prolongadores gastados o dañados podría producir la electrocución. | <ul style="list-style-type: none">• Inspeccione los cables prolongadores antes de utilizarlos y reemplácelos por cables nuevos si fuese necesario. |
| <ul style="list-style-type: none">• La utilización de cable(s) prolongador(es) de menor calibre podría provocar un sobrecalentamiento de los conductores o artículos conectados y producir un incendio. | <ul style="list-style-type: none">• Utilice el tamaño adecuado (calibre del conductor) de los cables prolongadores para la aplicación; consulte Uso de los cables prolongadores en <i>Ensamblaje</i>. |
| <ul style="list-style-type: none">• El uso de los cables prolongadores sin conexión a tierra podría hacer que los interruptores del circuito no funcionen, hecho que provocaría una descarga eléctrica. | <ul style="list-style-type: none">• Siempre utilice cables prolongadores que tengan un cable a tierra con el enchufe a tierra adecuado. NO utilice un enchufe que no tenga conexión a tierra. |

- La filtración accidental de corriente eléctrica podría cargar las superficies conductoras que estén en contacto con el generador.
- Coloque el generador sobre una superficie de baja conductividad, como una plancha de hormigón. SIEMPRE haga funcionar el generador a un mínimo de 1,8 m (6 pulg.) de cualquier superficie conductora.
- Si se excede la capacidad de carga del generador al conectar demasiados artículos, o artículos con valores nominales de carga muy altos, se podría provocar el sobrecalentamiento de algunos artículos, o bien su cableado de conexión podría generar un incendio o una descarga eléctrica.
- Consulte **Funcionamiento con cargas pesadas** en *Operación*. Asegúrese de que la suma de las cargas eléctricas de todos los aparatos conectados no supere el valor nominal de carga del generador.
- El intento de usar la unidad cuando está dañada o cuando no funciona con normalidad, podría dar lugar a un incendio o electrocución.
- No haga funcionar el generador si tiene un problema mecánico o eléctrico. Llame a nuestro Centro de atención al cliente.
- Si saca la protección, podría dejar expuestos los componentes cargados eléctricamente y provocar una electrocución.
- No haga funcionar el generador si no tiene la protección debida.
- **El funcionamiento sin atención de este producto podría provocar lesiones personales o daños a la propiedad. Para disminuir el riesgo de incendio, no permita que el motor funcione sin que alguien lo controle.**
- Siempre controle el motor cuando está en funcionamiento.



ADVERTENCIA: Riesgo de explosión o incendio

¿QUÉ PUEDE SUCEDER?

- Las chispas de los productos para fumar, los arcos eléctricos, el escape, las llamas, los gases y los componentes del motor caliente, como el silenciador, pueden encender la gasolina derramada o sus vapores.
- El calor expandirá el combustible dentro del tanque, lo que podría provocar un derrame y una posible explosión de fuego.

CÓMO EVITARLO

- Antes de quitarle la tapa al tanque para agregar combustible, apague el motor y deje que se enfríe.
- Sea cuidadoso al llenar el tanque para evitar que el combustible se derrame. Antes de arrancar el motor, asegúrese de que la tapa esté bien colocada y aleje la unidad del área combustible.
- Mantenga un nivel máximo de combustible por debajo de los hombros de la pantalla para desechos a fin de permitir la expansión.

- **Los materiales combustibles que hacen contacto con las partes calientes del generador pueden encenderse.**
- Cargue combustible al aire libre, en áreas bien ventiladas. Asegúrese de que no haya fuentes de ignición, como productos para fumar, cerca de donde se realiza la recarga.
- Haga funcionar el generador en un área limpia, seca y bien ventilada a un mínimo de 1,2 m (48 pulg.) de toda construcción, objeto o pared. No opere la unidad dentro de la casa o en un área muy cerrada.
- Utilice el generador en un área abierta, alejado de malezas secas y otros materiales combustibles.
- El combustible que no se almacene en forma correcta podría causar la ignición accidental. Si no se lo resguarda adecuadamente, podría terminar en manos de niños u otras personas no calificadas.
- Almacene el combustible dentro de un contenedor aprobado por OSHA en un lugar seguro, lejos del área de trabajo.
- La velocidad del motor se estableció en fábrica para que el funcionamiento sea seguro. La manipulación del ajuste de velocidad del motor podría provocar el sobrecalentamiento de los dispositivos y producir un incendio.
- Nunca trate de “acelerar” el motor para obtener un mayor rendimiento. Si lo hace, el voltaje y la frecuencia de salida ya no serán estándar y correrán peligro los dispositivos y el usuario.



⚠ PELIGRO: RIESGO RESPIRATORIO (asfixia)

¿QUÉ PUEDE SUCEDER?

- La inhalación de los gases del escape puede causar lesiones serias o la muerte. El escape del motor contiene altos niveles de monóxido de carbono (CO), un gas venenoso que no puede ver ni oler. Puede estar inhalando CO aún si **no** huele los gases del escape del motor.

CÓMO EVITARLO

- **NUNCA** use un motor en el interior de casas, garajes, sótanos u otras áreas parcialmente cerradas. En esas áreas se pueden acumular niveles mortales de monóxido de carbono. Usar un ventilador o abrir puertas y ventanas **NO** suministra suficiente aire fresco.
- **Sólo** úselo en exteriores y lejos de ventilaciones, puertas y ventanas abiertas. Estas aberturas pueden atraer el escape del motor.
- Mantenga a los niños, las mascotas y otras personas lejos del área de operaciones.
- Mantenga siempre el tubo de escape libre de objetos extraños.



PELIGRO: RIESGO DE LESIONES O DAÑO A LA PROPIEDAD TRANSPORTE O ALMACENAMIENTO

¿QUÉ PUEDE SUCEDER?

- Se puede producir una pérdida o un derrame de combustible y aceite, lo que puede ocasionar un peligro de incendio o inhalación, lesiones graves o la muerte. Las pérdidas de aceite dañarán la alfombra, la pintura u otras superficies de vehículos o remolques.

CÓMO EVITARLO

- Nunca transporte el generador cuando tenga combustible en el sistema, la válvula de combustible esté abierta o el generador esté en funcionamiento.
- Coloque siempre el generador en un tapete protector cuando lo transporte, para proteger al vehículo de daños por pérdidas. Retire el generador del vehículo de inmediato cuando llegue a destino. Siempre mantenga el generador nivelado y nunca lo incline.
- Transporte el combustible solamente en un recipiente aprobado por OSHA.



ADVERTENCIA: RIESGO DE SUPERFICIES CALIENTES

¿QUÉ PUEDE SUCEDER?

- El contacto con el metal expuesto (silenciador y otras piezas del motor) puede producir quemaduras graves.

CÓMO EVITARLO

- Nunca toque ninguna parte metálica expuesta del generador durante o inmediatamente después de su funcionamiento. El generador seguirá caliente durante varios minutos después de apagarlo.
- No toque las cubiertas protectoras ni intente realizar el mantenimiento hasta que el generador se haya enfriado.



ADVERTENCIA: RIESGO POR PIEZAS MÓVILES

¿QUÉ PUEDE SUCEDER?

- El motor puede arrancar por accidente si el volante se gira manualmente o se mueve al tirar del arrancador de retroceso.

CÓMO EVITARLO

- Antes de realizar el mantenimiento, desconecte siempre la bujía.

- Las piezas móviles como la polea, el volante y la correa pueden provocar lesiones graves si entran en contacto con usted o con su ropa.
- Si intenta hacer funcionar el generador con partes dañadas o faltantes, o repararlo sin las cubiertas protectoras, puede quedar expuesto a las piezas móviles, las cuales le pueden producir lesiones graves.
- Nunca haga funcionar el generador sin los protectores o las cubiertas o si estas piezas están dañadas.
- Mantenga el cabello, la ropa y los guantes alejados de las piezas en movimiento. Las ropas holgadas, las joyas o el cabello largo pueden quedar atrapados en las piezas móviles.
- Los orificios de ventilación pueden cubrir piezas en movimiento, por lo que también se deben evitar.
- Cualquier reparación que el producto requiera debe ser realizada en un centro de servicio de fábrica PORTER CABLE o un centro de servicio autorizado PORTER CABLE.



ADVERTENCIA: RIESGO DE OPERACIÓN INSEGURA

¿QUÉ PUEDE SUCEDER?

- La operación insegura de su generador podría producir lesiones graves o la muerte, a usted mismo o a otras personas.

CÓMO EVITARLO

- Revise y comprenda todas las instrucciones y advertencias de este manual.
- Familiarícese con el funcionamiento y los controles del generador. Sepa cómo apagarlo rápidamente.
- No deje que haya personas, mascotas u obstáculos en el área de funcionamiento.
- Mantenga a los niños alejados del generador en todo momento.
- No haga funcionar el generador cuando esté cansado o bajo la influencia de alcohol o drogas. Manténgase alerta en todo momento.
- Nunca anule las características de seguridad de este producto.
- Equipe el área de operaciones con un extintor de incendios.
- No ponga la máquina en funcionamiento si le faltan piezas, si éstas están rotas o si no son las autorizadas.
- Nunca se pare sobre el generador.

- Cualquier generador doméstico que funcione con gasolina puede producir variaciones de voltaje y por ende, dañar aparatos sensibles al voltaje o provocar un incendio.
- Siempre utilice un protector contra sobretensión sensible al voltaje aprobado por UL® para conectar los aparatos sensibles al voltaje (TV, computadora, estéreo, etc.). De lo contrario, la garantía de su generador se anulará. **AVISO:** Una tira de múltiples tomacorrientes no es un protector contra sobretensión. Asegúrese de usar un protector contra sobretensión sensible al voltaje, aprobado por UL®



ADVERTENCIA: RIESGO DE RUIDOS

¿QUÉ PUEDE SUCEDER?

- En ciertas condiciones y según el tiempo de uso y las aplicaciones, el ruido producido por este producto puede contribuir a la pérdida de la audición.

CÓMO EVITARLO

- Utilice siempre equipo de seguridad certificado: protección auditiva ANSI S12.6 (S3.19).



ATENCIÓN: RIESGO POR ELEVACIÓN

¿QUÉ PUEDE SUCEDER?

- Si intenta levantar un objeto muy pesado, puede lesionarse gravemente.

CÓMO EVITARLO

- El generador es demasiado pesado como para que lo levante una sola persona. Obtenga ayuda antes de tratar de moverlo usted solo.

CONSERVE ESTAS INSTRUCCIONES

COMPONENTES DEL GENERADOR (FIG. 1)

- A. Motor
- B. Alternador
- C. Panel de control
- D. Tapa de combustible
- E. Tanque de combustible
- F. Indicador de combustible
- G. Válvula de cierre de combustible

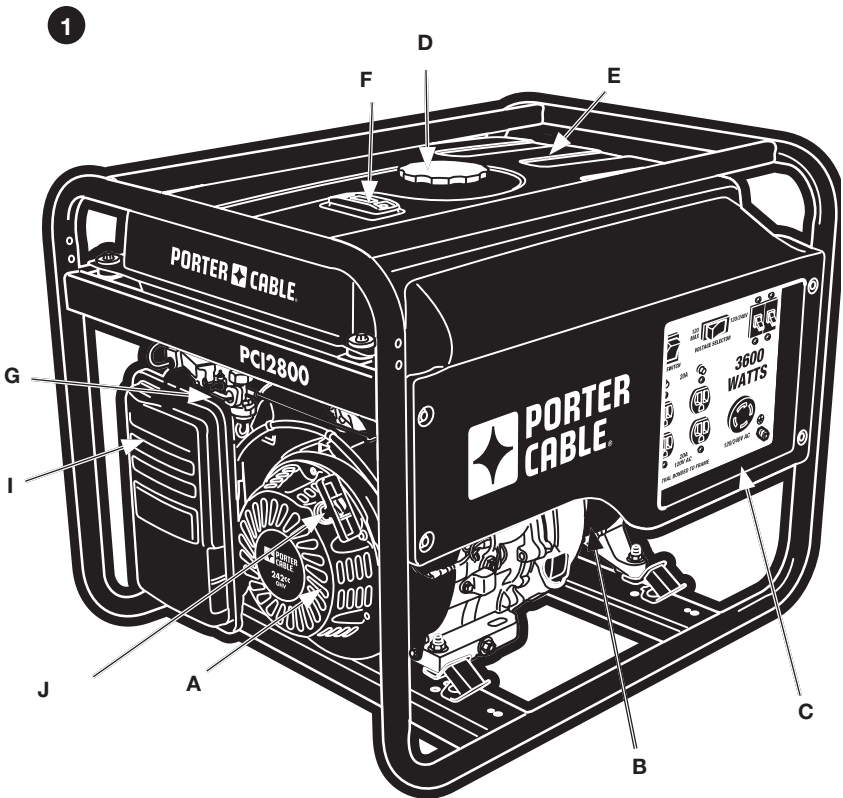
COMPONENTES DEL MOTOR (FIG. 2)

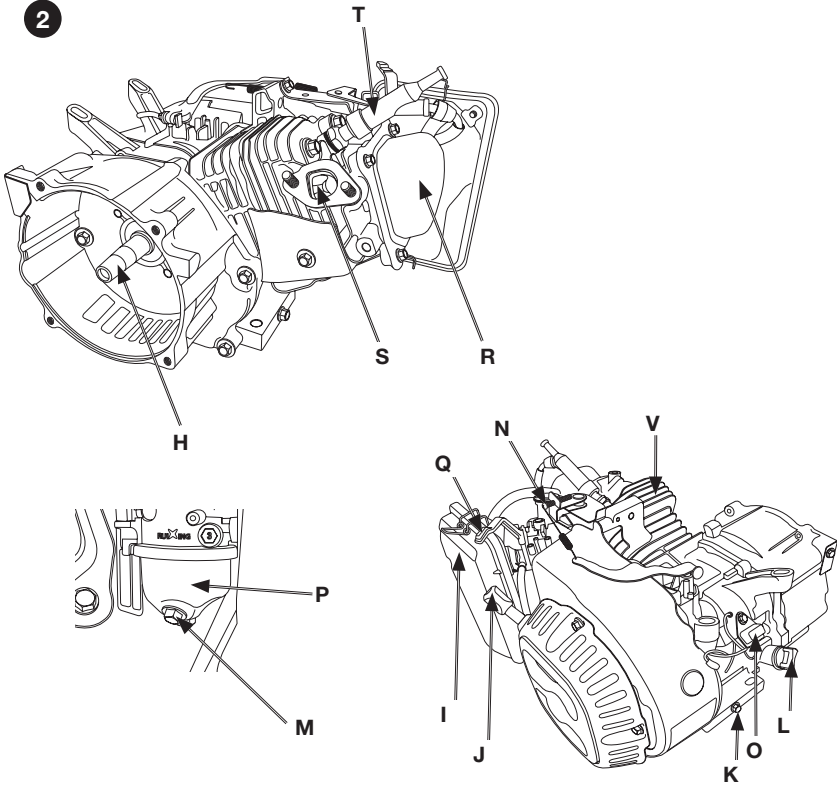
- H. Eje desmontable eléctrico del cigüeñal
- I. Filtro de aire
- J. Arrancador de retroceso
- K. Drenaje del aceite

- L. Carga de aceite/varilla para medición del nivel de aceite
- M. Drenaje de la taza del carburador
- N. Control de gases configurado
- O. Apagado automático por bajo nivel de aceite
- P. Taza del carburador
- Q. Palanca del estrangulador

SUPERFICIES CALIENTES (FIG. 1, 2)

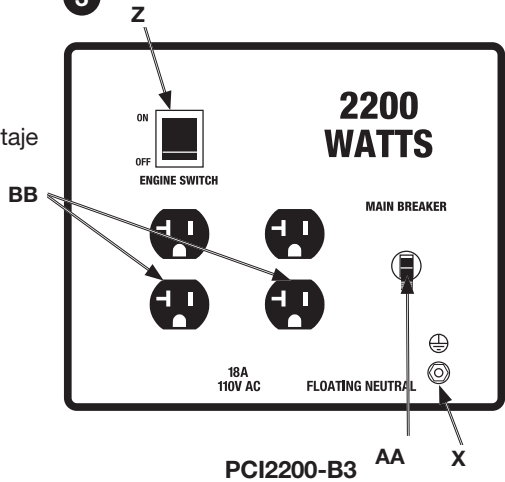
- R. Cubierta de la válvula
- S. Escape
- T. Bujía
- U. Silenciador (no demostrado)
- V. Tapa del cilindro

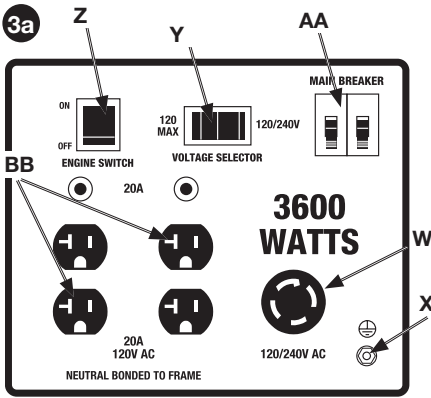


2

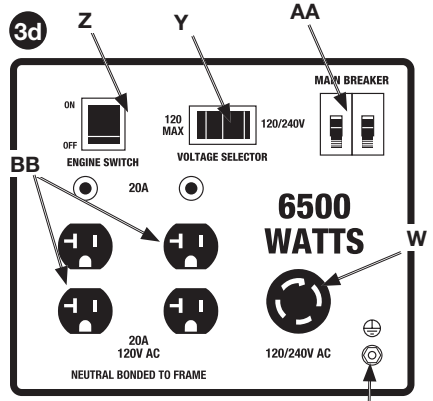
DISTRIBUCIONES DEL PANEL DE CONTROL (FIG. 3)

- W. Tomacorrientes de cierre por torsión
- X. Tuerca de conexión a tierra
- Y. Interruptor del selector de voltaje
- Z. Interruptor de encendido/apagado del motor
- AA. Interruptor principal
- BB. Tomacorriente doble
- CC. Tomacorriente de 220V

3

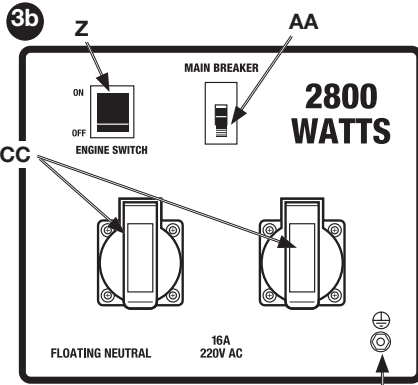


PCI2800-B3



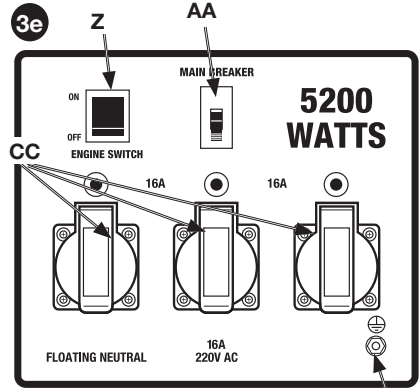
PCI5000-B3

X



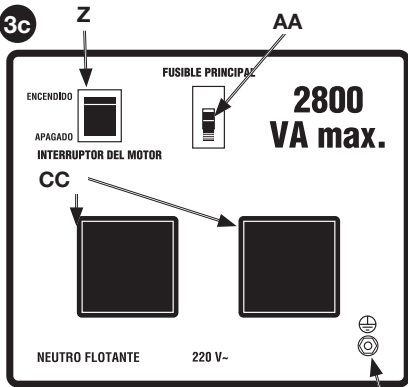
PCI2800-B2

X



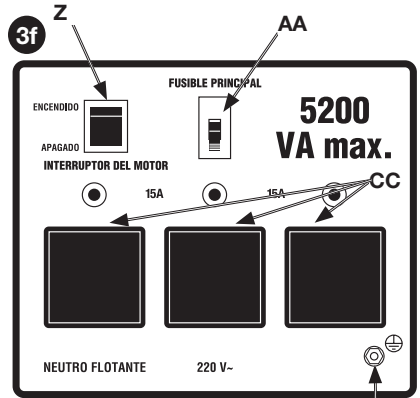
PCI5000-B2

X



PCI2800-AR

X



PCI5000-AR

X

ESPECIFICACIONES DEL PRODUCTO

Modelo	PCI2200-B3
Alternador	
Tipo	Regulador automático de voltaje, 2 polos, 110 V
Activación	Por Cepillado
Salida nominal constante de CA (vatios)	2200
Salida de CA nominal (vatios)	2000
Corriente nominal (A)	18 A
Fase	Tope
Frecuencia (HZ)	27/60
Motor	
Caballos de fuerza (*HP totales)	*6,5
Cilindrada (CC)	196
Capacidad del tanque de combustible en litros (galones)	15 litros (3,9)
Capacidad de aceite litros	0,6
Aceite recomendado	Consulte la sección Recomendaciones para el aceite
Apagado automático por bajo nivel de aceite	Sí
Sistema de arranque	Retroceso
Tipo	Refrigerado por aire, cilindro único de 4 ciclos, encendido por chispa
Combustible	Gasolina común sin plomo (mínimo de 86 octanos) NO USE el combustible E85.
Tipo de depurador de aire	Papel o pieza de espuma
Tipo de bujía	NGK: BP6ES, **BPR6ES, BPR6ES/ AUTOLITE: 63/AC DELCO: R41XL, R42XLS, R43FS, R43XL, R43XLS, R44XLS, R45XLS o equivalente
Espacio para la bujía	0,7 a 0,8 mm (0,028 a 0,031 pulgadas)
Solenoides para desconexión del combustible	No equipado
Control de marcha en vacío	No equipado
Arrancador eléctrico	No equipado
Ángulo de inclinación máximo recomendado	< 25°
Tomacorrientes	
Dobles de 18 A y 110 V +	Sí (2)
General	
Dimensiones • (pulgadas/cm) (L x An. x Al.)	590 x 475 x 460 mm (23,2 x 18,7 x 18,1 pulgadas)
Peso en seco •	45 kg (99 libras)
• Las dimensiones no incluyen el juego de ruedas.	
* Caballos de fuerza totales (HP). Este índice de caballos de fuerza representa la potencia máxima en condiciones de laboratorio a 3600 RPM conforme a la SAE (Sociedad de Ingenieros de Automóviles) J1995 y debe tenerse en cuenta para fines comparativos únicamente. La potencia de salida real del motor será menor y variará en función de la aplicación, la velocidad y otras variables, incluida la temperatura y la altitud.	
** Esta bujía cumple con las normas canadienses ICES-002	
+ Cuando utilice los tomacorrientes, debe conectarlos a través de una caja de distribución protegida por GFCI o usar un adaptador en serie con GFCI.	

Modelo	PCI2800-B3
Alternador	
Tipo	120V/240V AC, 2 polos, 110 V
Activación	Por Cepillado
Salida nominal constante de CA (vatios)	3600
Salida de CA nominal (vatios)	3500
Corriente nominal (A)	31/15 A
Fase	Tope
Frecuencia (HZ)	27/60
Motor	
Caballos de fuerza (*HP totales)	*8
Cilindrada (CC)	242
Capacidad del tanque de combustible en litros (galones)	25 litros (6,6)
Capacidad de aceite litros	1,1
Aceite recomendado	Consulte la sección Recomendaciones para el aceite
Apagado automático por bajo nivel de aceite	Sí
Sistema de arranque	Retroceso
Tipo	Refrigerado por aire, cilindro único de 4 ciclos, encendido por chispa
Combustible	Gasolina común sin plomo (mínimo de 86 octanos) NO USE el combustible E85.
Tipo de depurador de aire	Papel o pieza de espuma
Tipo de bujía	NGK: BP6ES, **BPR6ES, BPR6ES/ AUTOLITE: 63/AC DELCO: R41XL, R42XLS, R43FS, R43XL, R43XLS, R44XLS, R45XLS o equivalente
Espacio para la bujía	0,7 a 0,8 mm (0,028 a 0,031 pulgadas)
Solenoides para desconexión del combustible	Sí
Control de marcha en vacío	No equipado
Arrancador eléctrico	No equipado
Ángulo de inclinación máximo recomendado	< 25°
Tomacorrientes	
Dobles de 20 A y 120 V +	Sí (2)
De cierre por torsión de 30 A y 120/240 V +	Sí (1)
General	
Dimensiones • (pulgadas/cm) (L x An. x Al.)	27 x 21 x 22/68 x 54 x 55
Peso en seco •	68 kg (150 libras)
• Las dimensiones no incluyen el juego de ruedas.	
* Caballos de fuerza totales (HP). Este índice de caballos de fuerza representa la potencia máxima en condiciones de laboratorio a 3600 RPM conforme a la SAE (Sociedad de Ingenieros de Automóviles) J1995 y debe tenerse en cuenta para fines comparativos únicamente. La potencia de salida real del motor será menor y variará en función de la aplicación, la velocidad y otras variables, incluida la temperatura y la altitud.	
** Esta bujía cumple con las normas canadienses ICES-002	
+ Cuando utilice los tomacorrientes, debe conectarlos a través de una caja de distribución protegida por GFCI o usar un adaptador en serie con GFCI.	

Modelo	PCI2800-B2
Alternador	
Tipo	220V AC, 2 polos, 110 V
Activación	Por Cepillado
Salida nominal constante de CA (vatios)	2800
Salida de CA nominal (vatios)	2700
Corriente nominal (A)	13 A
Fase	Tope
Frecuencia (HZ)	50
Motor	
Caballos de fuerza (*HP totales)	*8
Cilindrada (CC)	242
Capacidad del tanque de combustible en litros (galones)	25 litros (6,6)
Capacidad de aceite litros	1,1
Aceite recomendado	Consulte la sección Recomendaciones para el aceite
Apagado automático por bajo nivel de aceite	Sí
Sistema de arranque	Retroceso
Tipo	Refrigerado por aire, cilindro único de 4 ciclos, encendido por chispa
Combustible	Gasolina común sin plomo (mínimo de 86 octanos) NO USE el combustible E85.
Tipo de depurador de aire	Papel o pieza de espuma
Tipo de bujía	NGK: BP6ES, **BPR6ES, BPR6ES/ AUTOLITE: 63/AC DELCO: R41XL, R42XLS, R43FS, R43XL, R43XLS, R44XLS, R45XLS o equivalente
Espacio para la bujía	0,7 a 0,8 mm (0,028 a 0,031 pulgadas)
Solenoides para desconexión del combustible	Sí
Control de marcha en vacío	No equipado
Arrancador eléctrico	No equipado
Ángulo de inclinación máximo recomendado	< 25°
Tomacorrientes	
220V 16A	Sí (2)
General	
Dimensiones • (pulgadas/cm) (L x An. x Al.)	27 x 21 x 22/68 x 54 x 55
Peso en seco •	68 kg (150 libras)
• Las dimensiones no incluyen el juego de ruedas.	
* Caballos de fuerza totales (HP). Este índice de caballos de fuerza representa la potencia máxima en condiciones de laboratorio a 3600 RPM conforme a la SAE (Sociedad de Ingenieros de Automóviles) J1995 y debe tenerse en cuenta para fines comparativos únicamente. La potencia de salida real del motor será menor y variará en función de la aplicación, la velocidad y otras variables, incluida la temperatura y la altitud.	
** Esta bujía cumple con las normas canadienses ICES-002	
+ Cuando utilice los tomacorrientes, debe conectarlos a través de una caja de distribución protegida por GFCI o usar un adaptador en serie con GFCI.	

Modelo	PCI2800-AR
Alternador	
Tipo	220V ~
Activación	Por Cepillado
Potencia máxima de salida	2800 VA máx.
Potencia nominal de salida	2530 VA
Fase	Tope
Frecuencia (HZ)	50
Motor	
Caballos de fuerza (*HP totales)	*8
Cilindrada (CC)	242
Capacidad del tanque de combustible en litros	25 litros
Capacidad de aceite litros	1,1
Aceite recomendado	Consulte la sección Recomendaciones para el aceite
Apagado automático por bajo nivel de aceite	Sí
Sistema de arranque	Retroceso
Tipo	Refrigerado por aire, cilindro único de 4 ciclos, encendido por chispa
Combustible	Gasolina común sin plomo (mínimo de 86 octanos) NO USE el combustible E85.
Tipo de depurador de aire	Papel o pieza de espuma
Tipo de bujía	NGK: BP6ES, **bpr6es, BPR6ES/ AUTOLITE: 63/AC DELCO: R41XL, R42XLS, R43FS, R43XL, R43XLS, R44XLS, R45XLS o equivalente
Espacio para la bujía	0,7 a 0,8 mm (0,028 a 0,031 pulgadas)
Solenoides para desconexión del combustible	Sí
Control de marcha en vacío	No equipado
Arrancador eléctrico	No equipado
Ángulo de inclinación máximo recomendado	< 25° o 30°
Tomacorrientes	
220V, 15A	Sí (2)
General	
Dimensiones • (pulgadas/cm) (L x An. x Al.)	27 x 21 x 22/68 x 54 x 55
Peso en seco •	68 kg
• Las dimensiones no incluyen el juego de ruedas.	
* Caballos de fuerza totales (HP). Este índice de caballos de fuerza representa la potencia máxima en condiciones de laboratorio a 3600 RPM conforme a la SAE (Sociedad de Ingenieros de Automóviles) J1995 y debe tenerse en cuenta para fines comparativos únicamente. La potencia de salida real del motor será menor y variará en función de la aplicación, la velocidad y otras variables, incluida la temperatura y la altitud.	
** Esta bujía cumple con las normas canadienses ICES-002	
+ Cuando utilice los tomacorrientes, debe conectarlos a través de una caja de distribución protegida por GFCI o usar un adaptador en serie con GFCI.	

Modelo	PCI5000-B3
Alternador	
Tipo	120V/240V AC 2 polos, 110 V
Activación	Por Cepillado
Salida nominal constante de CA (vatios)	6500
Salida de CA nominal (vatios)	5200
Corriente nominal (A)	42/21 A
Fase	Tope
Frecuencia (HZ)	27/60
Motor	
Caballos de fuerza (*HP totales)	*13
Cilindrada (CC)	389
Capacidad del tanque de combustible en litros (galones)	25 litros (6,6)
Capacidad de aceite litros	1,1
Aceite recomendado	Consulte la sección Recomendaciones para el aceite
Apagado automático por bajo nivel de aceite	Sí
Sistema de arranque	Retrocreso
Tipo	Refrigerado por aire, cilindro único de 4 ciclos, encendido por chispa
Combustible	Gasolina común sin plomo (mínimo de 86 octanos) NO USE el combustible E85.
Tipo de depurador de aire	Papel o pieza de espuma
Tipo de bujía	NGK: BP6ES, **bpr6es, BPR6ES/ AUTOLITE: 63/AC DELCO: R41XL, R42XLS, R43FS, R43XL, R43XLS, R44XLS, R45XLS o equivalente
Espacio para la bujía	0,7 a 0,8 mm (0,028 a 0,031 pulgadas)
Solenoides para desconexión del combustible	Sí
Control de marcha en vacío	No equipado
Arrancador eléctrico	No equipado
Ángulo de inclinación máximo recomendado	< 25°
Tomacorrientes	
Dobles de 20 A y 120 V +	Sí (2)
De cierre por torsión de 30 A y 120/240 V (NEMA L5-30R) +	Sí (1)
General	
Dimensiones • (pulgadas/cm) (L x An. x Al.)	27 x 21 x 22/68 x 54 x 55
Peso en seco •	86 kg (190 libras)
• Las dimensiones no incluyen el juego de ruedas.	
* Caballos de fuerza totales (HP). Este índice de caballos de fuerza representa la potencia máxima en condiciones de laboratorio a 3600 RPM conforme a la SAE (Sociedad de Ingenieros de Automóviles) J1995 y debe tenerse en cuenta para fines comparativos únicamente. La potencia de salida real del motor será menor y variará en función de la aplicación, la velocidad y otras variables, incluida la temperatura y la altitud.	
** Esta bujía cumple con las normas canadienses ICES-002	
+ Cuando utilice los tomacorrientes, debe conectarlos a través de una caja de distribución protegida por GFCI o usar un adaptador en serie con GFCI.	

Modelo	PCI5000-B2
Alternador	
Tipo	220V AC 2 polos, 110 V
Activación	Por Cepillado
Salida nominal constante de CA (vatios)	5200
Salida de CA nominal (vatios)	4800
Corriente nominal (A)	21 A
Fase	Tope
Frecuencia (HZ)	50
Motor	
Caballos de fuerza (*HP totales)	*13
Cilindrada (CC)	389
Capacidad del tanque de combustible en litros (galones)	25 litros (6,6)
Capacidad de aceite litros	1,1
Aceite recomendado	Consulte la sección Recomendaciones para el aceite
Apagado automático por bajo nivel de aceite	Sí
Sistema de arranque	Retroceso
Tipo	Refrigerado por aire, cilindro único de 4 ciclos, encendido por chispa
Combustible	Gasolina común sin plomo (mínimo de 86 octanos) NO USE el combustible E85.
Tipo de depurador de aire	Papel o pieza de espuma
Tipo de bujía	NGK: BP6ES, **bpr6es, BPR6ES/ AUTOLITE: 63/AC DELCO: R41XL, R42XLS, R43FS, R43XL, R43XLS, R44XLS, R45XLS o equivalente
Espacio para la bujía	0,7 a 0,8 mm (0,028 a 0,031 pulgadas)
Solenoides para desconexión del combustible	Sí
Control de marcha en vacío	No equipado
Arrancador eléctrico	No equipado
Ángulo de inclinación máximo recomendado	< 25°
Tomacorrientes	
220V, 16A	Sí (3)
General	
Dimensiones • (pulgadas/cm) (L x An. x Al.)	27 x 21 x 22/68 x 54 x 55
Peso en seco •	86 kg (190 libras)
• Las dimensiones no incluyen el juego de ruedas.	
* Caballos de fuerza totales (HP). Este índice de caballos de fuerza representa la potencia máxima en condiciones de laboratorio a 3600 RPM conforme a la SAE (Sociedad de Ingenieros de Automóviles) J1995 y debe tenerse en cuenta para fines comparativos únicamente. La potencia de salida real del motor será menor y variará en función de la aplicación, la velocidad y otras variables, incluida la temperatura y la altitud.	
** Esta bujía cumple con las normas canadienses ICES-002	
+ Cuando utilice los tomacorrientes, debe conectarlos a través de una caja de distribución protegida por GFCI o usar un adaptador en serie con GFCI.	

Modelo	PCI5000-AR
Alternador	
Tipo	220V ~
Activación	Por Cepillado
Potencia máxima de salida	5200 VA máx.
Potencia nominal de salida	4140 VA
Fase	Tope
Frecuencia (HZ)	50
Motor	
Caballos de fuerza (*HP totales)	*13
Cilindrada (CC)	389
Capacidad del tanque de combustible en litros	25 litros
Capacidad de aceite litros	1,1
Aceite recomendado	Consulte la sección Recomendaciones para el aceite
Apagado automático por bajo nivel de aceite	Sí
Sistema de arranque	Retroceso
Tipo	Refrigerado por aire, cilindro único de 4 ciclos, encendido por chispa
Combustible	Gasolina común sin plomo (mínimo de 86 octanos) NO USE el combustible E85.
Tipo de depurador de aire	Papel o pieza de espuma
Tipo de bujía	NGK: BP6ES, **bpr6es, BPR6ES/ AUTOLITE: 63/AC DELCO: R41XL, R42XLS, R43FS, R43XL, R43XLS, R44XLS, R45XLS o equivalente
Espacio para la bujía	0,7 a 0,8 mm (0,028 a 0,031 pulgadas)
Solenoides para desconexión del combustible	Sí
Control de marcha en vacío	No equipado
Arrancador eléctrico	No equipado
Ángulo de inclinación máximo recomendado	< 25°
Tomacorrientes	
220V, 15A	Sí (3)
General	
Dimensiones • (pulgadas/cm) (L x An. x Al.)	27 x 21 x 22/68 x 54 x 55
Peso en seco •	86 kg
• Las dimensiones no incluyen el juego de ruedas.	
* Caballos de fuerza totales (HP). Este índice de caballos de fuerza representa la potencia máxima en condiciones de laboratorio a 3600 RPM conforme a la SAE (Sociedad de Ingenieros de Automóviles) J1995 y debe tenerse en cuenta para fines comparativos únicamente. La potencia de salida real del motor será menor y variará en función de la aplicación, la velocidad y otras variables, incluida la temperatura y la altitud.	
** Esta bujía cumple con las normas canadienses ICES-002	
+ Cuando utilice los tomacorrientes, debe conectarlos a través de una caja de distribución protegida por GFCI o usar un adaptador en serie con GFCI.	

ENSAMBLAJE

CONEXIÓN A TIERRA DEL GENERADOR

Con el generador se suministra una tuerca para la conexión a tierra (X, Fig. 3), para utilizar cuando lo dispongan las ordenanzas locales de electricidad. Su compañía local de electricidad o un electricista certificado debería poder ayudarlo con este tipo de información.

USO DE CABLES PROLONGADORES

⚠️ ADVERTENCIA: Sólo utilice cables prolongadores con conexión a tierra. Sólo utilice herramientas eléctricas de doble aislamiento o de tres conductores.

Sólo utilice cables prolongadores con conexión a tierra que sean aptos para usar en exteriores y equipos con un tercer cable de conexión a tierra. Se recomienda utilizar una caja de distribución con protección GFCI o un adaptador integrado con protección GFCI cuando se conecte a cualquiera de las tomas de corriente del generador.

Quando se utiliza un cable prolongador para conectar un aparato o herramienta al generador, se produce una disminución de voltaje. Cuanto más largo es el cable prolongador, mayor será la disminución de voltaje. Esto produce menos voltaje para el aparato o la herramienta e incrementa la cantidad de consumo de corriente (amperios) o reduce el rendimiento. Un cable más pesado con un tamaño de conductor mayor hará que la disminución del voltaje sea menor. Asegúrese de elegir un cable que suministre el voltaje necesario para poder hacer funcionar su herramienta o aparato. Las tablas indican el calibre adecuado para los cables prolongadores y la disminución de voltaje que se produce por la utilización de cables prolongadores, según las diferentes cargas eléctricas.

⚠️ ATENCIÓN: Si hace funcionar el equipo con un voltaje bajo, puede hacer que se sobrecaliente. Y el uso de un cable prolongador demasiado largo puede hacer que el cable se sobrecaliente.

⚠️ ADVERTENCIA: Mantenga los cables eléctricos en buenas condiciones. No utilice cables gastados, pelados o deshilachados porque pueden producir una descarga eléctrica.

Calibre mínimo para juegos de cables prolongadores				
Voltios	Largo total del cable en metros			
120 V	0 a 6,7 (0 a 25 pies)	7,9 a 15,2 (26 a 50 pies)	15,5 a 30,5 (51 a 100 pies)	30,8 a 45,7 (101 a 150 pies)
240 V	0 a 15,2 (0 a 50 pies)	15,5 a 30,5 (51 a 100 pies)	30,8 a 60,9 (101 a 200 pies)	61,2 a 91,4 (201 a 300 pies)
Capacidad nominal en amperios	AWG			
0 a 10	16	16	14	14
10 a 13	16	16	14	12
13 a 16	14	14	12	12
16 a 25	12	12	12	10
25 a 30	10	10	10	No recomendado

Longitud del cable prolongador	Carga de amperios	Disminución de voltaje			
		16 AWG	14 AWG	12 AWG	10 AWG
7,6 m 25 pies	10 A	2	1,3	0,8	0,5
	15 A	3	1,9	1,2	0,8
	20 A	4	2,5	1,6	1,1
	30 A	6	3,8	2,3	1,6
15,2 m 50 pies	10 A	4	2,5	1,6	1,1
	15 A	6	3,8	2,3	1,6
	20 A	8	5	3,1	2,1
	30 A	12	7,5	4,7	3,2
30,5 m 100 pies	10 A	8	5	3,1	2,1
	15 A	12	7,5	4,7	3,2
	20 A	16	10	6,2	4,2
	30 A	24	15	9,3	6,3
45,7 m 150 pies	10 A	12	7,5	4,7	3,2
	15 A	18	11,3	7	4,7
	20 A	24	15	9,3	6,3
	30 A	36	22,5	14	9,5

ENSAMBLAJE DE ACCESORIOS

Los accesorios disponibles para generadores incluyen el contenido que se muestra en la Figura 4.

NOTA: Se necesitan dos personas para realizar estas instalaciones. Instale el juego de ruedas antes de cargar gasolina o aceite de motor para evitar que el motor se dañe. Si los accesorios se instalan después de utilizar el generador, asegúrese de que el tanque de gasolina esté vacío, que la válvula de cierre de combustible esté en la posición OFF (apagado) (paralela al piso) y que el aceite se haya drenado del motor.

NOTA: Después de aproximadamente 20 horas de funcionamiento, los pernos de los accesorios se pueden aflojar. Ajustelos según sea necesario.

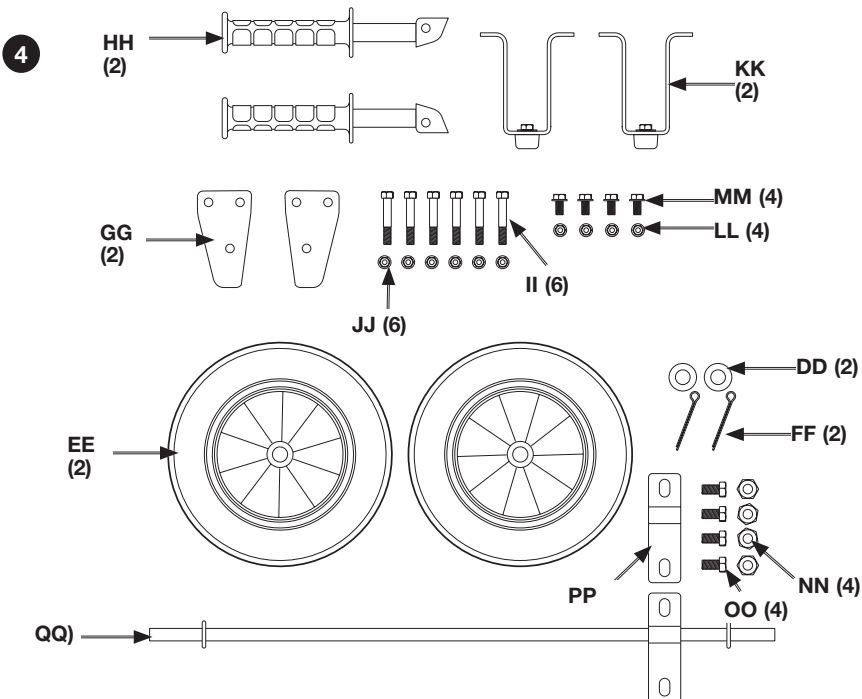
Ensamblaje del juego de ruedas (sólo PCI5000)

⚠ ATENCIÓN: Riesgo por elevación. El generador puede ser demasiado pesado como para que lo levante una sola persona. Consiga la ayuda de otras personas para levantarlo.

1. Incline el generador con cuidado para que descansa sobre el lateral del motor.
2. Instale las dos bases (KK) en el armazón inferior. Utilice los pernos (MM) y las tuercas (LL) en este paso.
3. Instale el eje (QQ) en el armazón inferior. Utilice los pernos (OO), las tuercas (NN) y la correa del eje (PP) en este paso.
4. Deslice las ruedas (EE) sobre el eje. Luego, deslice las dos arandelas (DD) en cada extremo del eje y asegúrelas con las clavijas de chaveta (FF); doble uno de los lados de las clavijas de chaveta.
5. Enderece el generador para que descansa sobre las ruedas y las bases.

Ensamblaje del juego de mangos

1. Para colocar los mangos en la parte lateral del motor del generador, asegure cada soporte (GG) con los pernos (II) y las tuercas (JJ).
2. Coloque el ensamblaje del mango (HH) sobre cada soporte (GG) y asegúrelos con los pernos (II) y las tuercas (JJ) restantes.



3. Ajuste los pernos hasta que el conjunto esté bien ajustado.

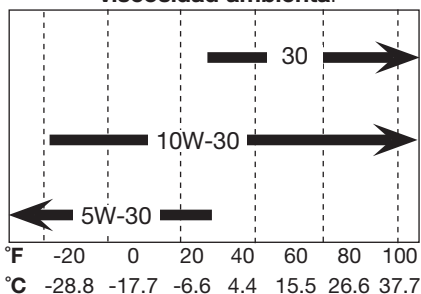
CARGA DE ACEITE DE MOTOR Y COMBUSTIBLE

ATENCIÓN: El motor **NO VIENE** lleno con aceite de fábrica. Antes de poner el motor en funcionamiento, debe agregarle aceite; de lo contrario, el motor se dañará.

Recomendaciones sobre el aceite

Para uso general, se recomienda el SAE 10W-30. Consulte el Cuadro de temperatura y viscosidad ambiental para conocer el aceite recomendado según el intervalo de temperatura promedio de su área. **NOTA:** NO se recomienda el uso de aceite sintético.

Cuadro de temperatura y viscosidad ambiental



Para agregar aceite (Fig. 2)

1. Consulte el Cuadro de temperatura y viscosidad ambiental que está arriba para conocer la viscosidad correcta.
2. Retire la varilla para medición del nivel de aceite (L).
3. Agregue lentamente el aceite recomendado; consulte las especificaciones para conocer la capacidad de aceite. **NOTA:** Si agrega el aceite demasiado rápido, se desbordará y parecerá que está lleno.

Consulte el apartado **Para controlar el aceite** en la sección *Mantenimiento* para conocer las instrucciones.

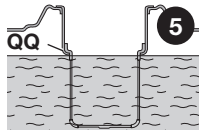
Carga de combustible al generador (FIG. 1, 5)

⚠ ADVERTENCIA: Riesgo de explosión o incendio. Los vapores de la gasolina son muy inflamables. Preferentemente, haga la recarga en el exterior o sólo en áreas bien ventiladas. No recargue ni controle el nivel de gasolina mientras el motor está en funcionamiento. No almacene, derrame ni use gasolina cerca de una llama abierta, una fuente de chispas (como una soldadura) o un equipo eléctrico en funcionamiento. No fume mientras llena el tanque.

1. Retire la tapa del combustible (D).
2. Agregue al tanque de combustible gasolina normal sin plomo, nueva y limpia, con un índice mínimo de 86 octanos (E). **NOTA:** No mezcle aceite y gasolina.

⚠ ADVERTENCIA:

Nunca llene el tanque de combustible por completo. No lo llene por encima del nivel de los hombros de la pantalla de desechos (QQ), como se muestra, a fin de dar lugar al combustible para que se expanda. Limpie cualquier derrame de combustible del motor y el equipo antes de poner en marcha el motor.



3. Vuelva a colocar la tapa del combustible en el tanque. Gire la tapa en sentido de las agujas del reloj hasta que haga tope.

Combustibles oxigenados

Algunos tipos convencionales de gasolina están mezclados con alcohol u otro compuesto etéreo. Estas gasolinas reciben el nombre de combustibles oxigenados. Para cumplir con los estándares de aire limpio, algunas áreas de usan combustibles oxigenados con el propósito de reducir las emisiones.

Si utiliza combustible oxigenado, asegúrese de que no tenga plomo

y de que cumpla con el requisito de índice mínimo de 86 octanos. Antes de usar un combustible oxigenado, procure corroborar el contenido del combustible. Algunas áreas exigen que esta información aparezca en la bomba.

Etanol (etil o alcohol de grano) 10% por volumen. Puede usar gasolina que contenga hasta un 10% de etanol por volumen. Es posible que la gasolina que contiene etanol se comercialice con el nombre gasohol.

ATENCIÓN: Riesgo de daño a la propiedad. NO utilice combustible E85.

MTBE (éter butílico terciario metílico) 15% por volumen. Puede usar gasolina que contenga hasta un 15% de MTBE por volumen.

Metanol (metil o alcohol metílico) 5% por volumen. Puede usar gasolina que contenga hasta un 5% de metanol por volumen, siempre que contenga solventes e inhibidores de la corrosión para proteger el sistema del combustible. La gasolina que contiene más de un 5% de metanol por volumen puede ocasionar problemas en el arranque o de funcionamiento. También puede dañar las piezas de metal, caucho y plástico del motor o del sistema del combustible.

Si advierte síntomas de funcionamiento no deseados, pruebe en otra estación de servicio o cambie la marca de la gasolina.

NOTA: La garantía no cubre los daños del sistema del combustible o los problemas de funcionamiento derivados del uso de un combustible oxigenado que contenga un porcentaje de sustancia oxigenada superior al mencionado.

LUGAR

⚠ PELIGRO: Riesgo respiratorio (asfixia) El escape del motor de gasolina contiene monóxido de carbono, un gas inodoro que es fatal. Opere el motor solamente al aire libre, en áreas limpias, secas y bien ventiladas.

Consideraciones sobre el ruido

Consulte a las autoridades locales sobre los niveles de ruido aceptables en su zona.

CARACTERÍSTICAS (FIG. 1-3)

Interruptor de encendido/apagado del motor

El interruptor de encendido/apagado del motor (Z) debe estar en la posición ON (ENCENDIDO) para arrancar el generador. Para detener el motor, coloque el interruptor en la posición off (APAGADO). Consulte la sección **Arranque y detención** en *Funcionamiento* para obtener todas las instrucciones de encendido y apagado.

Interruptor principal

El interruptor principal (AA) protege el alternador. La sobrecarga del generador hará que el interruptor principal se active. Si se produce un corto circuito en un dispositivo eléctrico encendido, también se puede activar el interruptor principal. Si el interruptor principal se activa:

1. Desconecte las cargas eléctricas de todos los tomacorrientes.
2. Coloque el interruptor principal (AA) en la posición OFF y luego, en la posición ON para reiniciarlo.

IMPORTANTE: Si el interruptor principal queda en la posición OFF cuando no hay cargas eléctricas conectadas, llame a nuestro Centro de atención al cliente.

Interruptor del selector de voltaje

PCI2800-B3, PCI5000-B3

Este interruptor (Y) permite que el generador opere tanto en modo de un solo voltaje (120 V) o doble voltaje (120/240 V). Cuando es colocado en la posición de 120 V, este le permite recibir capacidad completa del generador utilizando todos los receptáculos. Cuando es colocado en el modo de doble voltaje, (120/240 V) usted solo podrá recibir la mitad de los watts disponibles. Cuando utiliza los receptáculos de 120 V o los watts completos disponibles, debe de utilizar

el receptáculo de 240V 4- salidas tomacorriente de cierre por torsión

NOTA: No mueva el interruptor selector de voltajes (Y) cuando accione los dispositivos eléctricos. Desconecte todas las entradas eléctricas antes de mover el interruptor. Al no poder desconectar cargas eléctricas, esto podría dañar el interruptor.

Tomacorrientes (Fig. 3)

Los tomacorrientes están protegidos por el interruptor principal.

NOTA: El tomacorrientes (BB, CC) no está protegido por un GFCI. Utilice una caja de distribución protegida por GFCI o un adaptador con GFCI para conectar las cargas al tomacorrientes.

PROTECCIÓN POR BAJO NIVEL DE ACEITE

El apagado automático por bajo nivel de aceite es un dispositivo diseñado para proteger el motor del daño en el caso de que el nivel de aceite en la caja del motor sea bajo.

Si el nivel de aceite baja durante el funcionamiento del motor, éste se apagará automáticamente y no se reiniciará hasta que se le agregue aceite. Si el aceite está bajo antes del arranque, el generador no encenderá hasta que se le agregue aceite.

NOTA: el sensor de apagado automático por bajo nivel de aceite es muy sensible. Debe llenar el motor hasta la marca de lleno en la varilla para medición del nivel de aceite.

FUNCIONAMIENTO

LISTA DE CONTROL PREVIA A LA PUESTA EN MARCHA (FIG. 3)

⚠ ADVERTENCIA: No opere esta unidad hasta que haya leído y comprendido este manual de instrucciones y el del motor y las instrucciones de seguridad, operación y mantenimiento.

⚠ ATENCIÓN: Controle siempre el nivel de aceite del motor antes de cada arranque. El motor se podría dañar gravemente si lo hace funcionar con poco aceite o sin aceite.

Siga los pasos que se enumeran a continuación antes de encender el generador:

1. Coloque la unidad sobre una superficie plana.
2. Controle el nivel de aceite del motor. Consulte **Recomendaciones para el aceite** en *Especificaciones del conjunto* y **el producto**, para conocer el nivel y la cantidad correcta de aceite.

ATENCIÓN: No encienda el motor sin aceite o con el aceite incorrecto. PORTER CABLE no se hace responsable del daño en el motor causado por el uso de aceite incorrecto.

3. Controle el nivel del combustible; llene según sea necesario. Consulte **Agregar aceite de motor y combustible** en *Ensamblaje*.
4. Asegúrese de que el generador esté conectado a tierra de acuerdo con los requisitos locales. Consulte **Conexión a tierra del generador** en *Ensamblaje*.
5. Todas las cargas eléctricas DEBEN ser desconectadas, y el interruptor principal (AA) debe estar en la posición OFF.

⚠️ ATENCIÓN: La velocidad del motor se estableció en fábrica para que el funcionamiento sea seguro. La manipulación del ajuste de velocidad del motor podría provocar el recalentamiento de los dispositivos y producir un incendio. Nunca trate de “acelerar” el motor para obtener un mayor rendimiento. Si lo hace, el voltaje y la frecuencia de salida ya no serán estándar y correrán peligro los dispositivos y el usuario. La manipulación puede dañar el generador y anula la garantía.

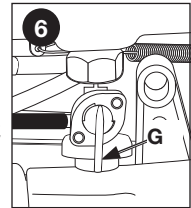
⚠️ ATENCIÓN: Desconecte todas las cargas del generador antes de darle arranque, a fin de prevenir que se produzca un daño permanente en cualquiera de los aparatos.

ARRANQUE DEL GENERADOR (FIG. 1–3, 6–9)

⚠️ ADVERTENCIA: No opere esta unidad hasta que haya leído este manual de instrucciones de seguridad, operación y mantenimiento..

1. Desconecte todas las cargas eléctricas del generador y coloque el interruptor principal (AA) en la POSICIÓN off.

2. Gire la válvula de cierre de combustible (G) del tanque de gasolina hasta la posición vertical/O P E N (ABIERTA), como se muestra.



3. Si el motor está frío, mueva el estrangulador (Q) a la posición de CERRADO, como se muestra. Si el motor está caliente, mueva el estrangulador a la posición de ABIERTO.



4. Gire el interruptor del motor (Z) hacia la posición ON.
5. Tire la agarradera de arranque (J) lentamente hasta que sienta la compresión y, luego, tire de ella con rapidez.

NOTA: No permita que la agarradera de arranque vuelva a su posición. Usted debe devolverla a su posición lentamente con la mano.

NOTA: Si el nivel de aceite del motor es bajo, el motor no arrancará. Si el motor no arranca, controle el nivel de aceite y agregue aceite según sea necesario.

NOTA: Para asegurar una lubricación máxima de aceite, coloque el generador en una superficie nivelada.

6. A medida que el motor se caliente, mueva el estrangulador (Q) hacia la posición de ABIERTO.

7. Permita que el motor se caliente durante algunos minutos. Luego, coloque el interruptor principal



(AA) en la POSICIÓN on. Conecte las cargas eléctricas: consulte **Conexión de cargas eléctricas** en *Funcionamiento*.

NOTA: Si nota un ruido o una vibración inusual, detenga el motor y consulte la sección de detección de problemas.

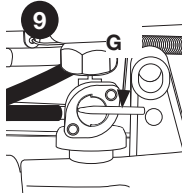
DETENCIÓN DEL GENERADOR (FIG. 3, 9)

Para detener el motor en una emergencia, mueva el interruptor del motor (Z) hacia la posición OFF.

Para detener el generador durante el funcionamiento normal del mismo:

1. Desconecte todas las cargas eléctricas anexadas al generador.
2. Mueva el interruptor del motor (Z) a la posición OFF.

3. Gire la válvula de cierre de combustible (G) del tanque de gasolina hasta la posición horizontal/ C L O S E D (CERRADO), como se muestra.



CONEXIÓN DE CARGAS ELÉCTRICAS (FIG. 3)

1. Permita que el motor se caliente durante algunos minutos. Luego, coloque el interruptor principal (AA, Fig. 3) en la posición on.

Conecte las cargas de la siguiente manera para evitar que se produzcan daños al equipo:

2. Primero, conecte el equipo de carga inductiva. Las cargas inductivas son los refrigeradores, congeladores, bombas de agua, aire acondicionados o pequeñas herramientas de mano. Conecte los artículos que requieran el mayor vataje primero.

3. Luego, conecte las luces.

4. El equipo que es sensible al voltaje debe ser el último que se conecte al generador. Conecte los aparatos sensibles al voltaje como televisores, videograbadoras, microondas, hornos, computadoras y teléfonos inalámbricos en un protector contra sobretensión de voltaje aprobado por U.L., a continuación, conecte este protector al generador.

⚠ ADVERTENCIA: El hecho de no conectar y hace funcionar el equipo en esta secuencia podría dañar el equipo y anulará la garantía de su generador.

FUNCIONAMIENTO CON CARGAS PESADAS

NO supere el límite de corriente especificado en el panel de control para cualquier tomacorriente.

FUNCIONAMIENTO A GRAN ALTITUD

En una gran altitud, la mezcla estándar de aire y combustible del carburador será muy pesada. Disminuirá el rendimiento y aumentará el consumo de combustible. Una mezcla muy pesada también obstruirá la bujía y dificultará el arranque.

El rendimiento a gran altitud se puede mejorar con modificaciones específicas al carburador. Si siempre hace funcionar su motor en altitudes superiores a los 1524 metros (5000 pies), haga que su centro de mantenimiento autorizado le realice la modificación al carburador.

Aún con una modificación en el carburador, los caballos de fuerza del motor disminuirán en un 3,5% por cada 300 metros (1000 pies) que aumente la altitud. El efecto de la altitud en los caballos de fuerza será mayor que esto si no se realiza ninguna modificación al carburador. La disminución de los

caballos de fuerza del motor reducirá la salida de potencia del generador.

NOTA: Cuando se modifica el carburador para un funcionamiento a gran altitud, la mezcla de aire y combustible será demasiado pobre para el uso en una altitud baja. Si el generador se utiliza en bajas altitudes después de la modificación del carburador, este último puede hacer que el motor se sobrecaliente y se dañe seriamente. Para darle uso en bajas altitudes, haga que su centro de mantenimiento autorizado restablezca las especificaciones de fábrica del carburador.

FUNCIONAMIENTO EN TEMPERATURA ALTA Y BAJA

La temperatura del aire afecta la salida del generador. La salida baja 1% por cada -12,2 °C (10 °F) de temperatura que suba por encima de los 15,5 °C (60 °F). La temperatura muy baja puede dificultar el arranque del motor.

MANTENIMIENTO

LA IMPORTANCIA DEL MANTENIMIENTO

Un buen mantenimiento es esencial para un funcionamiento seguro, económico y sin problemas. También ayudará a reducir la contaminación del aire.

⚠ ADVERTENCIA: Realizar un mantenimiento incorrecto o la imposibilidad de solucionar un problema antes de la operación puede producir un mal funcionamiento, lesiones graves o la muerte. Siempre siga la recomendación y el orden de este manual con respecto a la inspección y el mantenimiento.

Las siguientes páginas incluyen un programa de mantenimiento, procedimientos de inspección de rutina y procedimientos simples de mantenimiento con herramientas manuales básicas para ayudarlo a cuidar su generador en forma adecuada. Si no está de acuerdo con alguno de los procedimientos de mantenimiento, llame a nuestro Centro de atención al cliente.

El mantenimiento, el reemplazo o la reparación del sistema o los dispositivos de control de emisión pueden ser efectuados por un establecimiento o una persona que repare motores y que utilice partes que estén certificadas por los estándares EPA.

SEGURIDAD DEL MANTENIMIENTO

⚠ ADVERTENCIA: No opere esta unidad hasta que haya leído este manual de instrucciones de seguridad, operación y mantenimiento.

Precauciones de seguridad

⚠ ADVERTENCIA: Cerciórese de que el motor esté apagado antes de comenzar con el mantenimiento o las reparaciones. Esto evitará varios peligros potenciales, entre ellos:

- Envenenamiento por monóxido de carbono a causa de los vapores de escape del motor. Asegúrese de que la ventilación sea la adecuada cuando ponga el motor en marcha.
- Quemaduras por las piezas calientes. Permita que el motor y el sistema de escape se enfríen antes de tocarlos para evitar quemaduras.
- Lesiones provocadas por las piezas móviles. Utilice la vestimenta adecuada, átese el cabello largo y esté atento cuando se encuentre cerca del generador para evitar que las piezas móviles le provoquen lesiones.

⚠ ADVERTENCIA: Para reducir la posibilidad de incendio o explosión, tenga cuidado cuando trabaje con gasolina. Use solamente solvente que no sea inflamable en lugar de gasolina para limpiar las piezas. Mantenga los productos para fumar, chispas y llamas alejados de todas las piezas que tengan contacto con combustible.

Lea todas las instrucciones antes de comenzar y asegúrese de que tenga las herramientas y las habilidades necesarias. Un centro de mantenimiento de fábrica PORTER CABLE o un centro

de mantenimiento autorizado PORTER CABLE sabe más de su generador y cuenta con todo el equipo necesario para realizar el mantenimiento y la reparación. Con el fin de asegurar la mejor calidad y confiabilidad, sólo utilice piezas originales o sus equivalentes para las reparaciones y los reemplazos.

MANTENIMIENTO GENERAL

⚠ ADVERTENCIA: Si entra en contacto con el motor o el sistema de escape cuando está caliente, puede sufrir quemaduras graves o provocar incendios. Deje que el motor y el silenciador se enfrien antes de guardar el generador.

NOTA: Todos los generadores tienen piezas de mantenimiento (por ejemplo:

aceite, filtros, etc.) que se cambian con frecuencia. Estas piezas usadas pueden contener sustancias reglamentadas y deberán desecharse de acuerdo con las leyes y los reglamentos locales y nacionales.

NOTA: Tome nota de las posiciones y ubicaciones de las piezas durante el desarmado para facilitar el reensamblaje.

NOTA: Cualquier tarea de mantenimiento que no esté incluida en esta sección debe ser realizada en un centro de mantenimiento de fábrica PORTER CABLE o un centro de mantenimiento autorizado PORTER CABLE.

Se deben seguir los procedimientos a continuación cuando se realiza el mantenimiento o servicio del generador.

TABLA DE MANTENIMIENTO

Procedimiento	Diariamente	50 horas o semanalmente (lo que ocurra primero)	100 horas	150 horas o mensualmente (lo que ocurra primero)	500 horas
Limpia el exterior del generador		X			
Verificar el nivel de aceite	X				
Cambiar el aceite			X * (1)		
Limpia el filtro de aire			X (1)		
Limpia las bujías					X
Verificar la cañería de combustible, los sujetadores de la manguera y el tanque de combustible	X				
Inspección de pérdida de aceite	X				
Depósito de desechos					X
Limpia el tanque de combustible y el filtro					X (2)
Verificar que no haya ruido/vibración inusual	X				
Controlar y ajustar el huelgo de la válvula (0,15 mm en la entrada y 0,2 mm en la salida)				X (2)	
Preparar la unidad para el almacenamiento	Preparar la unidad para el almacenamiento si no se la utilizará por más de 30 días				

* El aceite del motor se debe cambiar después de las primeras 20 horas o el primer funcionamiento. De allí en más, cambie el aceite cada 150 horas de funcionamiento o mensualmente, lo que suceda primero.

(1) Realícelo con más frecuencia en áreas polvorientas y húmedas.

(2) Llame a nuestro Centro de atención al cliente.

GENERADOR

Limpieza

⚠ ADVERTENCIA: Para limpiar la herramienta, sólo utilice jabón suave y un paño húmedo en las partes plásticas. Muchos limpiadores para uso doméstico pueden contener sustancias químicas que podrían dañar el plástico considerablemente. Tampoco utilice gasolina, aguarrás, barniz, solvente, líquidos para limpieza en seco o productos similares, que podrían dañar seriamente las piezas de plástico. Nunca permita que penetre líquido dentro de la herramienta ni sumerja ninguna de las piezas en un líquido.

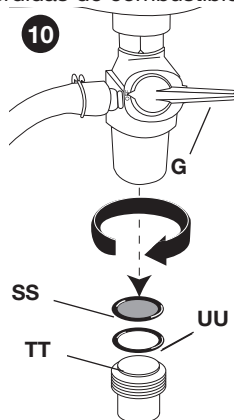
El generador se debe mantener limpio y seco en todo momento. El generador no se debe almacenar o hacer funcionar en ambientes con humedad, polvo o vapores corrosivos en exceso. Si estas sustancias se encuentran en el generador, límpielo con un paño o un cepillo de cerdas suaves. No utilice una manguera de jardín o ninguna herramienta a presión de agua para limpiar el generador. El agua puede ingresar en las ventilaciones y podría dañar el rotor, el estator y los bobinados internos del alternador.

LIMPIEZA DEL DEPÓSITO DE DESECHOS DEL COMBUSTIBLE (FIG. 1, 10)

El depósito de desechos evita el ingreso de suciedad o agua, que se pueden encontrar en el tanque de combustible, al carburador. Si no ha utilizado el motor por mucho tiempo, debe limpiar el depósito de desechos.

1. Gire la válvula de cierre de combustible (G) hasta la posición OFF (paralela al piso). Retire el depósito de desechos (TT), la junta tórica (UU) y la pantalla (SS), como se muestra.

2. Limpie el depósito de desechos, la junta tórica y la pantalla con un solvente que no sea inflamable o que tenga un punto de inflamación alto.
3. Vuelva a colocar la junta tórica, la pantalla y el depósito de desechos.
4. Gire la válvula de cierre de combustible HASTA LA POSICIÓN OPEN y verifique que no haya pérdidas de combustible.



LIMPIEZA DE LA PIEZA DEL FILTRO DE AIRE (FIG. 1, 11)

⚠ ADVERTENCIA: Superficies calientes. Riesgo de quemaduras. El motor y las piezas circundantes están muy calientes, no los toque. (Consulte las superficies calientes identificadas en la Fig. 1 y 2). Espere hasta que el motor se enfríe antes de realizar el mantenimiento.

Un depurador de aire sucio restringirá el flujo de aire al carburador. Para prevenir el mal funcionamiento del carburador, realice el mantenimiento del filtro de aire periódicamente. Realice el mantenimiento con mayor frecuencia cuando opere el generador en áreas con mucho polvo.

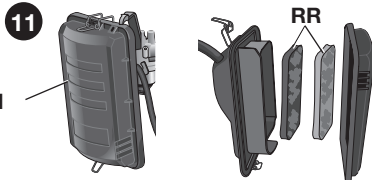
⚠ ADVERTENCIA: El uso de gasolina o solventes inflamables para limpiar las piezas del filtro puede causar un incendio o una explosión.

⚠ ADVERTENCIA: Riesgo de incendio. No operar sin el filtro de aire.

Limpieza de las piezas

⚠ ADVERTENCIA: Cuando se utiliza aire comprimido, el usuario siempre debe usar protección para los ojos conforme a la norma ANSI Z87.1. (CAN/CSA Z94.3) y una protección respiratoria aprobada por las normas NIOSH/OSHA o una mascarilla facial adecuada.

1. Destrabe los ganchos de la cubierta del filtro de aire (I) y retírela.
2. Retire la pieza del filtro de aire.
3. Lave las piezas (RR) con una solución de detergente de uso doméstico y agua tibia y luego enjuague bien, o lávelas con un solvente que no sea inflamable o que no tenga un punto de inflamación alto. Espere a que las piezas se sequen completamente.



4. Remoje la pieza en aceite de motor limpio y apriétela para eliminar el aceite excedente. **NOTA:** Si en las piezas queda mucho aceite, el motor emitirá humo durante el arranque inicial.
5. Instale nuevamente la pieza del filtro de aire y trabe la cubierta del filtro de aire en su lugar.

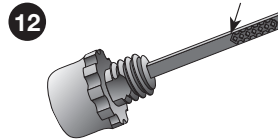
ACEITE

⚠ ADVERTENCIA: Superficies calientes. Riesgo de quemaduras. El motor y las piezas circundantes están muy calientes: no los toque. (Consulte las Superficies calientes identificadas

en la Figura 1). Espere hasta que el motor se enfríe antes de realizar el mantenimiento.

Para controlar el aceite (fig. 2, 12)

1. Coloque la unidad sobre una superficie plana y nivelada.
2. Quite la varilla para medición del nivel de aceite (L) y límpiela.
3. Vuelva a insertarla por completo en el orificio de llenado del aceite y ajuste. Deje que el aceite se junte sobre la varilla para medición durante unos segundos.
4. Saque la varilla y lea el nivel de aceite. Si el nivel está por debajo de la marca en la varilla para medición del nivel de aceite, agregue aceite. **NOTA:** La marca puede variar según el motor.



NOTA: Cuando llene el cigüeñal, deje que el aceite fluya lentamente. Si agrega el aceite demasiado rápido, se desbordará y parecerá que está lleno.

5. Vuelva a colocar la varilla para medición del nivel de aceite y ajuste bien.

Para cambiar el aceite (Fig. 2)

NOTA: El aceite del motor contiene sustancias que están reguladas y que se deben desechar de acuerdo con las leyes y reglamentaciones locales, estatales, provinciales y federales.

1. Desconecte el cable de la bujía.
2. Coloque un recipiente adecuado debajo del tapón de drenaje del aceite (K).
3. Retire la varilla para medición del nivel de aceite (L) del cigüeñal.
4. Quite el tapón de drenaje del aceite (K).
5. Deje transcurrir tiempo suficiente para que el aceite drene por completo.

- Coloque el tapón de drenaje del aceite.
- Llene con el aceite recomendado; consulte las **Recomendaciones sobre el aceite** en la sección *Ensamblado*.
- Vuelva a colocar la varilla para medición del nivel de aceite y ajuste bien.
- Vuelva a conectar el cable de la bujía.
- Dispose of oil according to local or national laws and regulations.

BUJÍA (FIG. 2, 13)

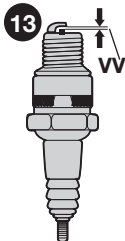
Utilice las bujías recomendadas; consulte las **Especificaciones del Producto** para conocer la bujía correcta. Para asegurar el funcionamiento adecuado del motor, la bujía debe tener el huelgo adecuado y debe estar libre de depósitos.

⚠ ADVERTENCIA: Si el motor estuvo en funcionamiento, el silenciador estará muy caliente. Para minimizar el riesgo de lesiones, deje que se enfríe antes de proceder.

- Quite la tapa de la bujía.
- Limpie la suciedad de alrededor de la base de la bujía.
- Para quitar la bujía, use una llave para bujías (no suministrada).
- Examine la bujía visualmente. Reemplácela si el aislante está roto o astillado. Si la va a usar nuevamente, límpiela con un cepillo de alambre.

⚠ ADVERTENCIA: Utilice siempre equipo de seguridad certificado: Anteojos de seguridad ANSI Z87.1(CAN/CSA Z94.3) con protección lateral.

- Mida el huelgo de la bujía con un calibrador de bujías (VV). Corrija según sea necesario. Para ello, incline con cuidado el electrodo lateral. Consulte las **Especificaciones del Producto** para el huelgo correcto



- Asegúrese de que la arandela de la bujía esté en buenas condiciones. Enrosque la bujía manualmente para evitar enroscamiento cruzado.
- Una vez que la bujía esté colocada, use una llave para bujías para ajustar la arandela. Si instala una bujía nueva, ajústela 1/2 vuelta después de colocarla para presar la arandela. Si instala una bujía usada, ajústela de 1/8 a 1/4 de vuelta después de colocarla para presar la arandela. No ajuste demasiado.
- Vuelva a colocar con firmeza la tapa de la bujía.

NOTA: La bujía debe estar bien ajustada. Si la bujía está mal ajustada, se puede calentar y dañar el motor. Nunca use bujías con un intervalo de calentamiento inadecuado. Use solamente las bujías recomendadas o sus equivalentes.

DRENAJE DE LA TAZA DEL CARBURADOR (FIG. 1, 2)

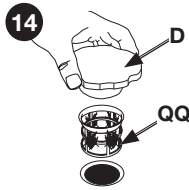
- Coloque la palanca de la válvula de combustible (G) en la posición cerrada (paralela al piso).
- Coloque un contenedor adecuado aprobado por OSHA debajo de la taza del carburador (P). **NOTA:** El uso de un embudo permitirá que el aceite fluya dentro del contenedor sin derrames.
- Quite el tapón de drenaje de la taza del carburador (M).
- El combustible se vaciará de la taza del carburador.
- Una vez que el carburador se haya vaciado, vuelva a colocar el drenaje de la taza del carburador.

LIMPIEZA DE LA PANTALLA PARA DESECHOS (FIG. 1, 14)

⚠ ADVERTENCIA: Riesgo de explosión o incendio. El vapor de la gasolina es altamente inflamable. Cargue el combustible al aire libre, en áreas bien ventiladas. No cargue combustible ni controle el nivel de gasolina con el motor en funcionamiento. No almacene, derrame ni use gasolina cerca de una

llama abierta, una fuente de chispas (como una soldadura) o un equipo eléctrico en funcionamiento.

1. Quite la tapa de combustible (D).
2. Quite la pantalla para desechos (QQ).
3. Limpie la pantalla para desechos. Use aire comprimido para soplar los desechos.



⚠ ADVERTENCIA: Cuando se utiliza aire comprimido, el usuario siempre debe usar protección para los ojos conforme a la norma ANSI Z87.1 (CAN/CSA Z94.3).

4. Vuelva a colocar la pantalla para desechos y la tapa del combustible.

TRANSPORTE

⚠ ADVERTENCIA: Las unidades son pesadas. Siga procedimientos seguros para levantarlas cuando vaya a transportarlas.

Antes de transportar el generador, asegúrese de:

1. Coloque el interruptor del motor en la posición OFF.
2. Colocar la palanca de la válvula de combustible en el tanque de gasolina en la posición de cerrado.
3. Mantener el generador siempre nivelado para evitar que se derrame el combustible. El vapor del combustible o el combustible derramado se pueden encender.

⚠ ADVERTENCIA: Si entra en contacto con el motor o el sistema de escape cuando está caliente, puede sufrir quemaduras graves o provocar incendios. Deje que el motor y el silenciador se enfríen antes de transportar el generador.

ALMACENAMIENTO

Generator

⚠ ADVERTENCIA: Nunca almacene el generador con combustible en el tanque en interiores o en áreas cerradas con poca ventilación, en las que los vapores puedan llegar a la llama, chispa o luz piloto de una estufa, calentador de agua, secador de ropa y otras aplicaciones que funcionen con combustible.

1. Limpie el generador como se le indicó en *Mantenimiento*.
2. Verifique que las ventilaciones y la aberturas del generador estén abiertas y sin obstrucciones.

Motor

⚠ ADVERTENCIA: Si el motor estuvo en funcionamiento, el silenciador estará muy caliente. Para reducir el riesgo de lesiones, deje que el motor se enfríe antes de proceder.

Si guardará la unidad durante más de 30 días, drene el combustible de todas las líneas de combustible, el tanque y la taza del carburador. Drene el aceite y vuelva a llenar con aceite nuevo y limpio. **IMPORTANTE:** Durante el almacenamiento, el combustible se oxidará y deteriorará. Si esto sucede, el carburador y las piezas relacionadas con el combustible necesitarán un mantenimiento. **NOTA:** Para prolongar la vida útil del combustible, se puede utilizar un estabilizador de combustible.

SERVICIO

PIEZAS DE REPUESTO

Utilice sólo piezas de repuesto idénticas. También puede solicitar piezas en nuestro centro más cercano.

MANTENIMIENTO Y REPARACIONES

Con el paso del tiempo, todas las herramientas de calidad requieren mantenimiento o reemplazo de las piezas. Todas las reparaciones realizadas por nuestros centros de mantenimiento están completamente garantizadas en relación con los defectos en materiales y la mano de obra. No podemos otorgar garantías para las reparaciones ni los intentos de reparación de otras personas.

INFORMACIÓN DE MANTENIMIENTO

Para todas las llamadas por mantenimiento, tenga a mano la siguiente información:

Número de modelo _____ Número de serie _____

Fecha y lugar de compra _____

REPARACIONES

Para asegurar la SEGURIDAD y la CONFIABILIDAD del producto, las reparaciones, el mantenimiento y los ajustes deben ser realizados en un centro de mantenimiento autorizado PORTER CABLEu otro centro de mantenimiento con personal calificado. Utilice siempre piezas de repuesto idénticas.

**Para reparación y servicio de sus
herramientas eléctricas, favor de dirigirse
al Centro de Servicio más cercano**

CULIACAN, SIN

Bldv. Emiliano Zapata 5400-1 Poniente Col. San Rafael (667) 717 89 99

GUADALAJARA, JAL

Av. La Paz #1779 - Col. Americana Sector Juárez (33) 3825 6978

MEXICO, D.F.

Eje Central Lázaro Cárdenas No. 18 Local D, Col. Obrera (55) 5588 9377

MERIDA, YUC

Calle 63 #459-A - Col. Centro (999) 928 5038

MONTERREY, N.L.

Av. Francisco I. Madero 831 Poniente - Col. Centro (818) 375 23 13

PUEBLA, PUE

17 Norte #205 - Col. Centro (222) 246 3714

QUERETARO, QRO

Av. San Roque 274 - Col. San Gregorio (442) 2 17 63 14

SAN LUIS POTOSI, SLP

Av. Universidad 1525 - Col. San Luis (444) 814 2383

TORREON, COAH

Bldv. Independencia, 96 Pte. - Col. Centro (871) 716 5265

VERACRUZ, VER

Prolongación Díaz Mirón #4280 - Col. Remes (229) 921 7016

VILLAHERMOSA, TAB

Constitución 516-A - Col. Centro (993) 312 5111

PARA OTRAS LOCALIDADES:

Si se encuentra en México, por favor llame al (55) 5326 7100

Si se encuentra en U.S., por favor llame al (888)-848-5175

GUÍA DE DETECCIÓN DE PROBLEMAS

Esta sección proporciona una lista de las fallas que se presentan con mayor frecuencia, sus causas y las medidas correctivas correspondientes. El operador o el personal de mantenimiento puede llevar a cabo algunas de estas acciones correctivas, pero es posible que otras necesiten la asistencia de un técnico PORTER CABLE calificado o de su distribuidor.

Problema

Código

El motor no arranca..... 1, 2, 3, 4, 14, 15, 16, 17, 18, 19, 20, 21, 27

No hay salida eléctrica5, 6, 7, 8, 9, 10, 12, 13

NOTA: Si todavía no hay energía en los tomacorrientes,

Llame a nuestro Centro de atención al cliente.

Activación repetida del interruptor principal.....9, 10

Sobrecalentamiento del generador9, 11

El motor arranca, pero enseguida

deja de funcionar 1, 2, 3, 14, 16, 18, 19, 20, 21, 27

Ruido de golpeteo23

Velocidad excesiva o velocidad baja..... 24, 25, 26

Energía baja 16, 19, 22, 23

CÓDIGO	CAUSA POSIBLE	SOLUCIÓN POSIBLE
1	El interruptor de encendido/apagado (On/Off) del motor está en la posición de APAGADO (OFF).	Colóquelo en la posición ON.
2	El estrangulador está en la posición incorrecta.	Regule el estrangulador según sea necesario.
3	La válvula de cierre de combustible está en la posición cerrada.	Abra la válvula de cierre de combustible.
4	La unidad se carga durante el arranque.	Retire la carga de la unidad.
5	El tomacorriente es defectuoso.	Contacte al Centro de Servicio más cercano.
6	El disyuntor térmico del tomacorriente está activado.	Oprímalo y reinicie.
7	El capacitor es defectuoso.	Contacte al Centro de Servicio más cercano.
8	El cable de alimentación es defectuoso.	Repáre o reemplace el cable.
9	El generador está sobrecargado.	Reduzca la carga.
10	Los cables o el equipo son defectuosos.	Verifique que los cables del equipo no estén dañados, pelados o deshilachados. Reemplácelos.
11	La ventilación no es suficiente.	Diríjase a donde haya suficiente aire fresco.
12	Los bobinados del estator son defectuosos.	Contacte al Centro de Servicio más cercano.
13	El cableado es defectuoso.	Contacte al Centro de Servicio más cercano.
14	No hay combustible, o hay poco.	Agregue combustible.

CÓDIGO	CAUSA POSIBLE	SOLUCIÓN POSIBLE
15	Combustible inadecuado.	Drene el tanque de combustible y llénelo con gasolina común, limpia, sin plomo y con un mínimo de 86 octanos.
16	Poco aceite.	Agregue aceite.
17	Bujía defectuosa.	Reemplace la bujía.
18	Cubierta de la bujía floja.	Asegure la cubierta de la bujía.
19	La compresión es baja o nula.	Ajuste la bujía. Sin el problema no se soluciona, comuníquese con un centro de mantenimiento de fábrica PORTER CABLEo un centro de mantenimiento autorizado PORTER CABLE.
20	La bujía no genera chispa.	Controle el cable de la bujía. Si el problema no se soluciona. Contacte al Centro de Servicio más cercano.
21	La bujía tiene hollín o tiene grumos de suciedad.	<ul style="list-style-type: none"> a. Limpie la bujía. Consulte la sección Bujía en <i>Mantenimiento</i>. b. Controle el espacio para la bujía, ajústelo si es necesario. Consulte la sección Bujía en <i>Mantenimiento</i>. c. Reemplace la bujía. Consulte la sección Especificaciones. d. Si el motor continúa fallando en el arranque. Contacte al Centro de Servicio más cercano.
22	Filtro de aire sucio.	Limpie o reemplace las piezas del filtro de aire.
23	Distancias incorrectas entre válvulas.	Configure nuevamente las distancias entre válvulas. Contacte al Centro de Servicio más cercano.
24	Mecanismo regulador trabado o doblado.	Contacte al Centro de Servicio más cercano.
25	Eje del regulador de gases trabado.	Contacte al Centro de Servicio más cercano.
26	Falta el resorte regulador o está doblado.	Contacte al Centro de Servicio más cercano.
27	Carburador sucio	Contacte al Centro de Servicio más cercano.

DIRETRIZ DE SEGURANÇA – DEFINIÇÕES

Este manual contém informações que são importantes para você conhecer e entender. Estas informações são relacionadas para proteger SUA SEGURANÇA E EVITAR PROBLEMAS COM EQUIPAMENTO. Para auxiliar a reconhecer estas informações usamos os símbolos abaixo. Leia o manual e verifique estes símbolos.

⚠ PERIGO: Indica uma situação de perigo iminente que, se não for evitada, **resultará em morte ou lesão séria.**

⚠ ATENÇÃO: Indica uma situação potencialmente perigosa que, se não for evitada, **resultará em morte ou lesão séria.**

⚠ CUIDADO: Indica uma situação potencialmente perigosa que, se não for evitada, **pode resultar em lesão moderada ou pequena.**

CUIDADO: Usado sem o símbolo de alerta de segurança indica uma situação potencialmente perigosa que, se não for evitada, **pode resultar em dano a propriedade.**

INSTRUÇÕES IMPORTANTES DE SEGURANÇA

⚠ PERIGO: Monóxido de carbono. Usar um motor internamento poderá matar em minutos. A exaustão de motor contém níveis elevados de monóxido de carbono (CO), um gás venenoso que você não pode ver ou cheirar. Você pode respirar CO mesmo se não cheirar a exaustão do motor.

- **NUNCA** use um motor dentro de residência, garagem, espaço confinado ou outras áreas parcialmente fechadas. Níveis fatais de monóxido de carbono pode ser acumulados nestas áreas. Usar um ventilador ou abrir janelas e portas NÃO fornece ar fresco suficiente.
- Use **SOMENTE** externamente e distante de janelas, portas e ventilações abertas Estas aberturas pode sugar a exaustão do motor.
- Mesmo se o motor for usar corretamente, **CO** pode vazar na sua residência. Use **SEMPRE** uma bateria alimentada ou alarme de **CO** de suporte de bateria (não fornecido) na residência. Leia e siga as direções para alarme de **CO** antes de usar. Se sentir-se doente, com tonteira ou fraco a qualquer momento, vá para um local ventilado imediatamente. Consulte um medico. Você pode ter sido envenenado com monóxido de carbono.
- **⚠ ATENÇÃO:** Não opere esta unidade até que leia e entenda este manual de instruções e o manual de instrução da ferramenta para obter instruções de manutenção e de operação.

GUARDE ESTAS INSTRUÇÕES



PERIGO: RISCO DE EXPLOÇÃO OU INCÊNDIO

O QUE PODE ACONTECER

- Eletricidade de refluxo através de sistema elétrico para as linhas de alimentação do utilitário externo pode colocar em perigo técnicos de manutenção para restaurar o serviço.
- Tentar conectar o serviço de utilitário de entrada pode causar eletrocutamento.
- Restauração do serviço elétrico enquanto o gerador estiver conectado ao utilitário de entrada pode causar incêndio ou dano sério se não instalar o interruptor de transferência.
- Erro ao usar um interruptor de transferência bipolar ao conectar um sistema elétrico de estrutura pode danificar aplicações e EVITARÁ a garantia de fabricante.
- A água pode conduzir eletricidade! A água que entra em contato com os componentes eletricamente carregado pode transmitir eletricidade ao quadro e outras superfícies, causando choque elétrico as pessoas que entrar em contato com eles.
- Entrar em contato com cabos de extensão danificado pode causar eletrocutamento.
- Uso de cabo(s) de extensão menor pode resultar em superaquecimento dos fios ou itens anexos, causando incêndio.
- Uso de cabo(s) de extensão sem aterramento pode afetar a operação dos disjuntores e causar choque elétrico.
- Vazamento accidental da corrente elétrica pode carregar superfícies de condução com o gerador.
- Exceder a capacidade da carga do gerador ao anexar muitos itens ou itens com taxas de carga muito alta pode causar superaquecimento de alguns itens ou seu fio de anexação causar incêndio ou choque elétrico.

COMO EVITAR

- Nunca alimente a eletricidade através do sistema elétrico da estrutura.
- Para conectar um sistema elétrico de estrutura de uma forma segura, instale sempre um interruptor de transferência bipolar de acordo com os regulamentos locais por um técnico qualificado. (Ao instalar um interruptor de transferência bipolar, use um mínimo de fiação de calibre 10).
- Opere o gerador em áreas bem ventiladas, secas e limpas. Verifique se as mãos estão secas antes de tocar a unidade.
- Inspeccione os cabos de extensão antes de usar e substituir por novo cabo, se necessário.
- Use o(s) cabo(s) de tamanho adequado (calibre do fio) para aplicação; consulte a seção **Uso dos Cabos de extensão** sob *Montagem*.
- Use sempre cabo(s) de extensão com uma tomada e fio terra adequados. NÃO use tomada sem aterramento.
- Coloque o gerador em uma superfície de condutividade baixa, tam como uma laje de concreto. Opere SEMPRE o gerado com um mínimo de 6' (1,8 m) de qualquer superfície condutora.
- Consulte **Operar cargas muito altas** sob *Operação*. Verifique se a soma das cargas elétricas para todo os anexos não excede a taxa de carga do gerador.

- Tentar usar a unidade quando estiver danificado ou quando não estiver funcionando normalmente pode causar incêndio ou eletrocutamento.
- A remoção da proteção pode expor os componentes carregados eletricamente e causar eletrocutamento.
- **Operação indesejada deste produto pode causar lesão pessoal e dano a propriedade. Para reduzir o risco de incêndio não deixe que o motor seja operado sem assistência.**
- Não opere o gerador com problema elétrico ou mecânico. Entre em contato com um centro de atendimento ao cliente.
- Não opere o gerador com a proteção removida.
- Fique sempre alerta quando o motor estiver em funcionamento.



PERIGO: RISCO DE EXPLOÇÃO OU INCÊNDIO

O QUE PODE ACONTECER

- Vazamento de gasolina e seu vapor podem ficar inflamados com fagulhas de produtos de fumo, fusão elétrica, exaustão, chama, gases e componentes de motores quentes, tais como abafador.
- Aqueça e expanda o combustível no tanque pode resultar no vazamento e possível explosão.
- **Materiais combustíveis que entram em contato com as peças quentes do motor podem ficar inflamadas.**
- Combustível armazenado incorretamente pode causar ignição acidental. Combustível armazenado incorretamente pode entrar em contato com as mãos de crianças ou outras pessoas não qualificadas.

COMO EVITAR

- Desligue o motor e permita que esfrie antes de remover a tampa e adicione combustível no tanque.
- Tenha cuidado ao preencher o tanque para evitar vazar combustível. Verifique se a tampa está presa no lugar e mova a unidade distante da área de combustível antes de ligar o motor.
- Mantenha o nível de combustível máximo abaixo dos ombros na tela de resíduos para permitir a expansão.
- Adicione combustível internamente em um área bem ventilada. Verifique se não existem fontes de ignição, tal como produtos de fumo próximos de local de reabastecimento.
- Opere o motor em uma área bem ventilada, seca e limpa com um mínimo de 48" (1,2 m) de qualquer prédio, objeto ou parede. Não opere a unidade internamente ou em uma área confinada.
- Opere o motor em uma área distante de mato seco, ervas ou outros materiais combustíveis.
- Armazene combustível em um recipiente aprovado pela OPA em um local seguro distante da área de trabalho.

- A velocidade do motor foi definida pela fábrica para fornecer uma operação segura. A alteração do ajuste da velocidade do motor pode causar superaquecimento dos acessórios e incêndio.
- Nunca tente “acelerar” o motor para obter mais desempenho. Ambas a tensão de saída e frequência sairão do padrão com esta prática colocando em perigo os acessórios e o usuário.



⚠ PERIGO: RISCO DE INALAÇÃO (ASFIXIA)

O QUE PODE ACONTECER

- Respirar fumaça de exaustão causará lesão séria ou morte! A exaustão do motor contém altos índices de monóxido de carbono (CO), um gás venenoso que você não pode ver ou cheirar. Pode respirar CO mesmo se você não cheirar a exaustão do motor.

COMO EVITAR

- **NUNCA** use um motor dentro de residência, garagem, área de ventilação ou outras áreas parcialmente fechadas. Níveis fatais de monóxido de carbono podem ser acumulados nestas áreas. Use um ventilador ou janelas de aberturas **NÃO** fornece ar fresco suficiente.
- use **Somente** externamente e distante de janelas, portas e ventilações abertas. Estas aberturas podem dispersar a exaustão do motor.
- Mantenha as crianças, animais domésticos e outros distantes da área de operação.
- Mantenha sempre a tubulação de exaustão livre de objetos estranhos



⚠ PERIGO: RISCO DE LESÃO OU DANO A PROPRIEDADE AO TRANSPORTAR OU ARMAZENAR

O QUE PODE ACONTECER

- Óleo e combustível pode vazar e derramar e pode causar incêndio ou perigo de inalação; pode causar lesão séria ou morte. Vazamento de óleo e combustível danificará tapete, pintura ou outras superfícies em veículos ou trailers.

COMO EVITAR

- Nunca transporte motor com combustível no sistema de combustível, válvula de combustível aberta ou enquanto o motor estiver em operação.
- Coloque sempre o motor em um tapete de proteção ao transportar para proteger contra dano ao veículo de vazamento. Remova o motor do veículo imediatamente ao chegar no seu destino. Mantenha sempre o nível do motor e nunca o coloque virado.
- Transporte somente combustível em recipiente aprovado pela OPA.



ATENÇÃO: RISCO DE SUPERFÍCIES QUENTES

O QUE PODE ACONTECER

- Tocar em metal exposto (silenciador e outras peças do motor) pode causar queimadura séria.

COMO EVITAR

- Nunca toque qualquer parte metálica exposta no motor durante ou imediatamente depois da operação. O motor permanecerá quente por alguns minutos depois da operação.
- Não toque ao redor da cobertura protetora ou tente fazer a manutenção até que o motor fique frio.



ATENÇÃO: RISCOS DE PEÇAS MÓVEIS

O QUE PODE ACONTECER

- O motor pode ser ligado acidentalmente se o volante for virado com a mão ou movido ao pressionar o arranque.
- As partes móveis, tais como a polia, volante e correia, podem causar lesão séria se entrarem em contato com você ou sua roupa.

COMO EVITAR

- Desconecte sempre a vela de ignição ao executar a manutenção.

- Tentar operar o motor com peças danificadas ou perdidas ou tentar reparar o motor com caixa de proteção removida pode expor você as partes móveis e causar lesão séria.

- Nunca opere o motor com as proteções ou tampas que estão danificadas ou removidas.
- Mantenha seu cabelo, vestuário e luvas distantes das partes móveis. Roupa solta, jóia ou cabelo longo pode ficar preso nas peças móveis.
- Ventilações de ar podem cobrir as partes móveis e devem ser evitadas também.
- Qualquer reparo necessário neste produto deve ser feito pelo centro de serviço da PORTER CABLE ou a assistência técnica autorizada da PORTER CABLE.



ATENÇÃO: RISCO DE OPERAÇÃO INSEGURA

O QUE PODE ACONTECER

- A operação insegura de seu motor pode levar a lesão séria ou morte para você ou terceiros.

COMO EVITAR

- Revise e entenda todas as instruções e avisos deste manual.
- Fique familiar com a operação e os controles do motor. Saiba como desligá-lo rapidamente.
- Mantenha a área de operação livre de pessoas, animais domésticos e obstáculos.

- Qualquer gerador doméstico operado com gasolina pode produzir variações na tensão e causar dano aos aparelhos sensíveis ou incêndio.
- Mantenha as crianças distantes do motor em todo o momento.
- Não opere o motor quando cansado ou sob influência de álcool ou medicamentos. Se mantenha alerta em todos os momentos.
- Nunca desconsidere as funções de segurança deste produto.
- Equipe a área de operação com um extintor de incêndio.
- Não opere a unidade internamente ou em uma área confinada.
- Nunca se apóie no motor.
- Use sempre um protetor contra quedas de tensão listado UL® para conectar os aparelhos sensíveis a tensão (TV, computador, estéreo, etc.). Erro ao usar o protetor contra queda de tensão listado UL® **afetará a garantia de seu gerador. ATENÇÃO:** Uma régua de alimentação múltipla não é um protetor contra queda. Use um protetor contra queda de tensão listado UL®.



⚠ ATENÇÃO: RISCO DE RUÍDO

O QUE PODE ACONTECER

- Sob algumas condições, aplicações e duração de uso, ruído e deste produto pode contribuir para a perda de audição.

COMO EVITAR

- Use sempre equipamento de segurança certificado: Norma de proteção de audição ANSI S12.6 (S3.19).



⚠ CUIDADO: RISCO AO LEVANTAR

O QUE PODE ACONTECER

- Lesão séria pode resultar de tentativa para levantar objeto muito pesado.

COMO EVITAR

- O gerador é muito pesado para ser levantado por uma pessoa. Solicite assistência de terceiros antes de tentar movê-lo.

GUARDE ESTAS INSTRUÇÕES

COMPONENTES DO GERADOR (FIGURA 1)

- A. Motor
- B. Alternador
- C. Painel de controle
- D. Tampa do combustível
- E. Tanque de combustível
- F. Indicador de nível
- G. Válvula de fechamento de combustível

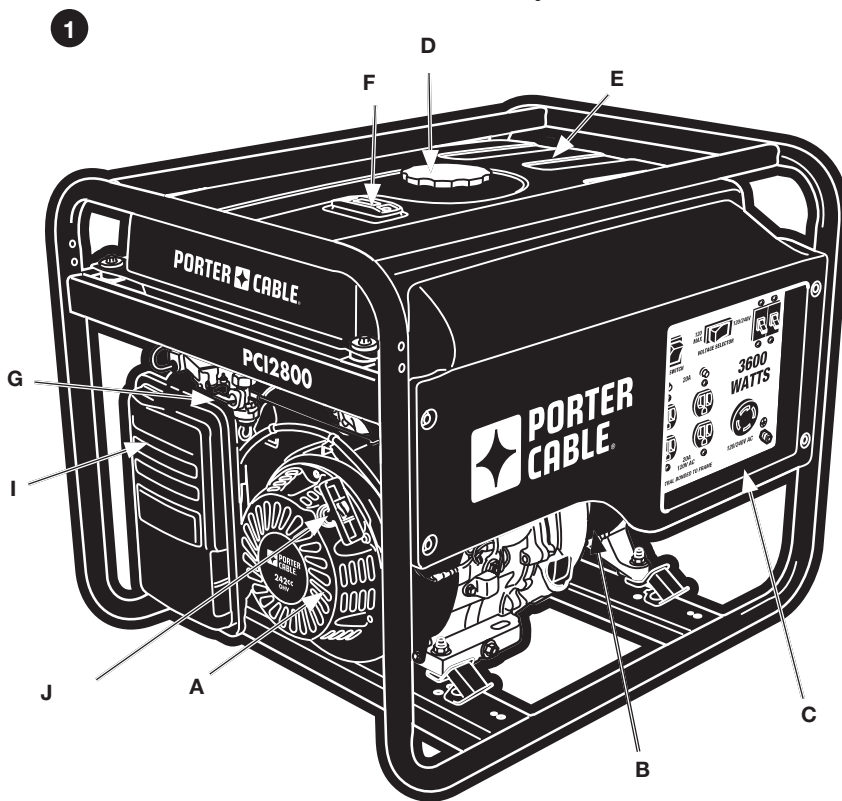
COMPONENTES DO MOTOR (FIGURA 2)

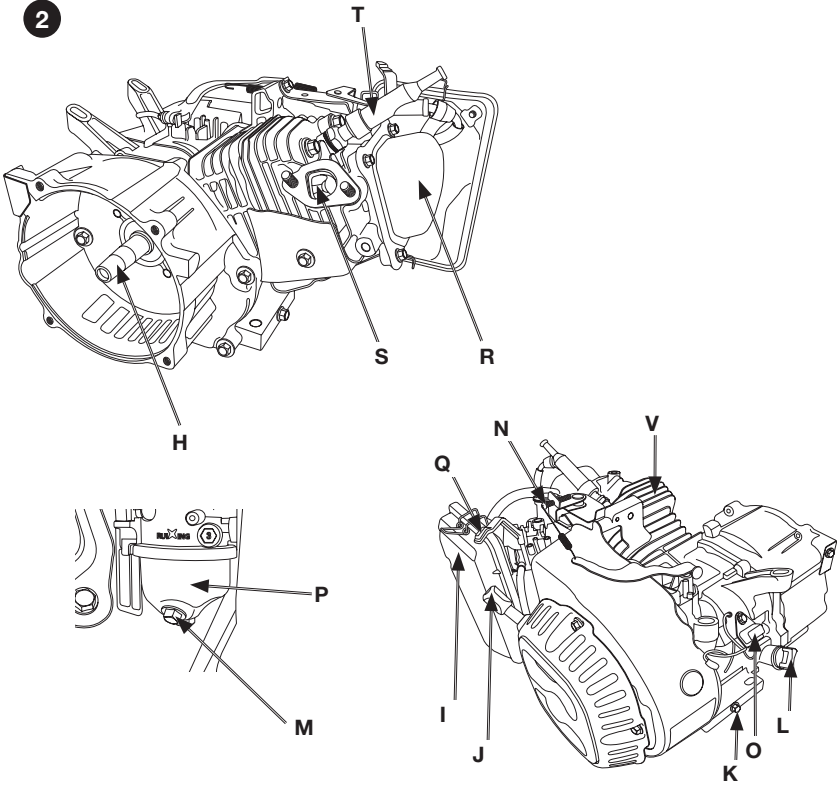
- H. PTO de eixo de manivela
- I. Filtro de ar
- J. Motor de arranque

- K. Drenagem de óleo
- L. Vareta medidora do enchimento de óleo
- M. Dreno do reservatório do carburador
- N. Definir controle do estrangulador
- O. Sensor de fechamento de óleo baixo
- P. Reservatório do carburador
- Q. Botão do obturador de arranque

SUPERFÍCIES QUENTES (FIGURAS 1, 2)

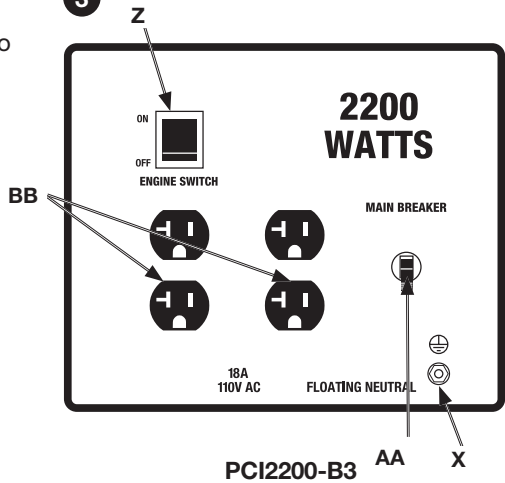
- R. Tampa da válvula
- S. Exaustão
- T. Vela de ignição
- U. Silenciador (não mostrado)
- V. Cabeça do cilindro

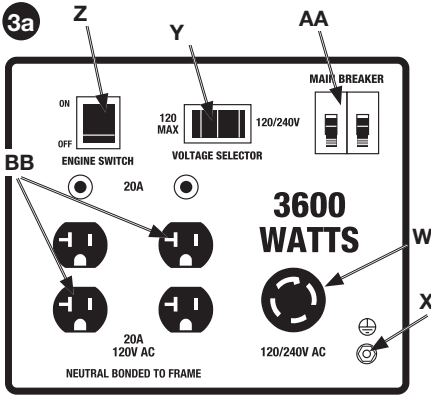


2

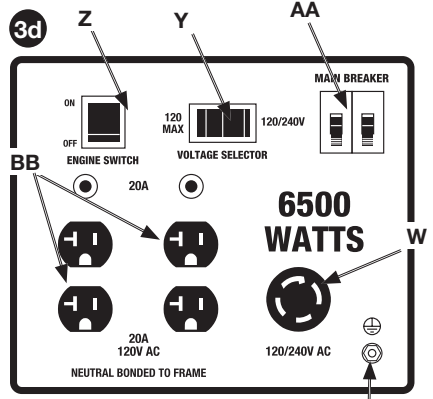
LAYOUT DO PAINEL DE CONTROLE (FIGURA 3)

- W. Receptáculo do fecho de pino
- X. Porca de aterramento
- Y. Botão seletor de voltagem
- Z. Motor desligado/
Interruptor desligado
- AA. Disjuntor principal
- BB. Receptáculo duplex
- CC. Receptáculo 220V

3

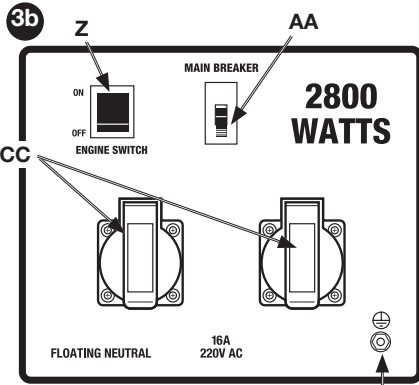


PCI2800-B3



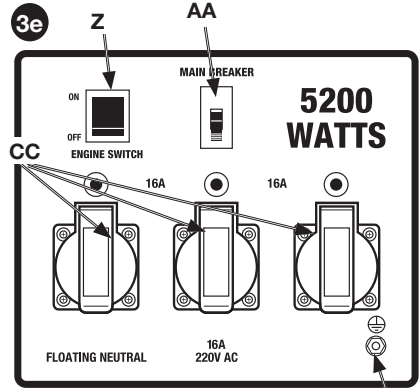
PCI5000-B3

X



PCI2800-B2

X



PCI5000-B2

X

ESPECIFICAÇÕES DO PRODUTO

Modelo	PCI2200-B3
Alternador	
Tipo	110V, 2 AVR pólo
Excitação	Escovado
Saída CA máx.(Watts)	2200
Saída CA nominal (Watts) contínua	2000
Corrente nominal (A)	18 A
Fase	Individual
Frequência(HZ)	60
Motor	
Potência bruta (*HP bruta)	*6,5
Deslocamento (cc)	196
Capacidade do tanque de combustível gal (L)	3,9 (15)
Capacidade de óleo (L)	0,6
Óleo recomendado	Consulte Recomendações de óleo
Sensor de fechamento de óleo baixo	Sim
Sistema de partida	Motor de arranque
Tipo	Cilindro individual de 4 ciclos, de ar resfriado, de combustão interna
Combustível	Regular, gasolina sem chumbo (mínimo de 86 octanos) NÃO use o combustível E85
Tipo de filtro de ar	Papel ou elemento de espuma
Tipo de vela de ignição	NGK: BP6ES, **BPR6ES, BPR6ES/AUTOLITE: 63/AC DELCO: R41XL, R42XLS, R43FS, R43XL, R43XLS, R44XLS, R45XLS ou equivalente
Vela de ignição	0,028-0,031" (0,70-0,80 mm)
Solenóide de fechamento do combustível	Sem
Controle em espera	Sem
Arranque elétrico	Sem
Ângulo de inclinação máximo recomendado	< 25°
Receptáculos	
110V, 18 Amp Duplex +	Sim (2)
Geral	
Dimensões * (pol./cm) (C x L x A)	(23,2 x 18,7x 18,1/59,0 x 47,5 x 46,0)
Peso seco *	99 lbs. (45 kg)
• Dimensões não incluem o kit da roda.	
* Potência bruta (HP). Esta taxa de potência representa o rendimento máximo sob condições de laboratório a 3600 RPM, de acordo com SAE (Society of Automotive Engineers) J1995 e deve ser usada somente para fins de comparação. O rendimento atual do motor será inferior e variará dependendo da aplicação, velocidade e outras variáveis incluindo altitude e temperatura.	
**Esta vela de ignição corresponde ao padrão canadense ICES-002.	
+ Ao usar os receptáculos você deve conectar através de uma caixa de derivação protegida GFCI ou use um adaptador GFCI em linha.	

Modelo	PCI2800-B3
Alternador	
Tipo	120V/240V CA 2 AVR pólo
Excitação	Escovado
Saída CA máx.(Watts)	3600
Saída CA nominal (Watts) contínua	3500
Tensão nominal (A)	31/15A
Fase	Individual
Frequência(HZ)	60
Motor	
Potência bruta (*HP bruta)	*8
Deslocamento (CC)	242
Tanque de combustível gal (L)	6,6 (25)
Capacidade de óleo (L)	1,1
Óleo recomendado	Consulte Recomendações de óleo
Sensor de fechamento de óleo baixo	Sim
Sistema de partida	Motor de arranque
Tipo	Cilindro individual de 4 ciclos, de ar resfriado, de combustão interna
Combustível	Regular, gasolina sem chumbo (mínimo de 86 octanos) NÃO use combustível E85
Tipo de filtro de ar	Papel ou elemento de espuma
Tipo de vela de ignição	NGK: BP6ES, **BPR6ES, BPR6ES/ AUTOLITE: 63/AC DELCO: R41XL, R42XLS, R43FS, R43XL, R43XLS, R44XLS, R45XLS ou equivalente
Vela de ignição	0,028-0,031" (0,70-0,80 mm)
Solenóide de fechamento do combustível	Sim
Controle em espera	Sem
Arranque elétrico	Sem
Ângulo de inclinação máximo recomendado	< 25°
Receptáculos	
120V 20 Amp Duplex +	Sim (2)
120/240V 30 A Twist-Locking +	Sim (1)
Geral	
Dimensões * (pol./cm) (C x L x A)	27 X 21 X 22/68 X 54 X 55
Peso seco *	150 lbs. (68 kg)
• Dimensões não incluem o kit da roda.	
* Potência bruta (HP). Esta taxa de potência representa o rendimento máximo sob condições de laboratório a 3600 RPM, de acordo com SAE (Society of Automotive Engineers) J1995 e deve ser usada somente para fins de comparação. O rendimento atual do motor será inferior e variará dependendo da aplicação, velocidade e outras variáveis incluindo altitude e temperatura.	
**Esta vela de ignição corresponde ao padrão canadense ICES-002.	
+ Ao usar os receptáculos você deve conectar através de uma caixa de derivação protegida GFCI ou use um adaptador GFCI em linha.	

Modelo	PCI5000-B3
Alternador	
Tipo	120V/240V CA 2 AVR pólo
Excitação	Escovado
Saída CA máx.(Watts)	6500
Saída CA nominal (Watts) contínua	5200
Tensão nominal (A)	42/21 A
Fase	Individual
Frequência(HZ)	60
Motor	
Potência bruta (*HP bruta)	*13
Deslocamento (cc)	389
Tanque de combustível gal (L)	6,6 (25)
Capacidade de óleo (L)	1,1
Óleo recomendado	Consulte Recomendações de óleo
Sensor de fechamento de óleo baixo	Sim
Sistema de partida	Motor de arranque
Tipo	Cilindro individual de 4 ciclos, de ar resfriado, de combustão interna
Combustível	Regular, gasolina sem chumbo (mínimo de 86 octanos) NÃO use combustível E85.
Tipo de filtro de ar	Papel ou elemento de espuma
Tipo de vela de ignição	NGK: BP6ES, **BPR6ES, BPR6ES/AUTOLITE: 63/AC DELCO: R41XL, R42XLS, R43FS, R43XL, R43XLS, R44XLS, R45XLS ou equivalente
Vela de ignição	0,028-0,031" (0,70-0,80 mm)
Solenóide de fechamento do combustível	Sim
Controle em espera	Sem
Arranque elétrico	Sem
Ângulo de inclinação máximo recomendado	< 25 °
Receptáculos	
120V 20 Amp Duplex +	Sim (2)
120/240V 30 A Twist-Locking +	Sim (1)
Geral	
Dimensões * (pol./cm) (C x L x A)	27 X 21 22/68 X 54 X 55
Peso seco *	190 lbs. (86 kg)
• Dimensões não incluem o kit da roda.	
* Potência bruta (HP). Esta taxa de potência representa o rendimento máximo sob condições de laboratório a 3600 RPM, de acordo com SAE (Society of Automotive Engineers) J1995 e deve ser usada somente para fins de comparação. O rendimento atual do motor será inferior e variará dependendo da aplicação, velocidade e outras variáveis incluindo altitude e temperatura.	
**Esta vela de ignição corresponde ao padrão canadense ICES-002.	
+ Ao usar os receptáculos você deve conectar através de uma caixa de derivação protegida GFCI ou use um adaptador GFCI em linha.	

MONTAGEM

ATERRAMENTO DO GERADOR

Um arruela de aterramento (X, Figura 3) é fornecida com o gerador para uso quando necessário de acordo com o regulamento elétrico local. Sua operadora de energia elétrica local ou um electricista certificado deve ajuda-lo com estas informações.

USO DE CABOS DE EXTENSÃO

⚠ ATENÇÃO: Use somente cabos de extensão aterrados. Use somente fio ou ferramentas de alimentação de isolamento duplo.

Somente cabos de extensão de aterramento que são nominais para uso externo e equipamento com um aterramento de terceiro fio. Recomenda-se que a caixa de derivação protegida de GFCI ou adaptador GFCI em linha sejam usados quando conectar qualquer receptáculos de gerador.

Quando um cabo de extensão longo for usado para conectar um aparelho ou ferramenta no gerador, ocorre uma

queda de tensão. Quando mais longo o cabo maior a queda de tensão. Isto diminui o fornecimento de tensão que está sendo fornecido para o aparelho ou ferramenta e aumenta o volume da tensão (amp) absorvida ou reduz o desempenho. Um cabo mais pesado com um tamanho de fio maior reduzirá a queda de tensão. Escolha um cabo que fornecerá tensão suficiente para operar ferramenta ou aparelho. A tabela indica um calibre apropriado para os cabos de extensão e a queda de voltagem causada pelo uso dos cabos de extensão, dada as cargas elétricas diferentes.

⚠ CUIDADO: Equipamento de operação em baixa tensão pode causar superaquecimento. Usar um cabo de extensão longo pode causar superaquecimento do cabo.

⚠ ATENÇÃO: Mantenha os cabos elétricos em boas condições. Não use cabos desgastados, sem capa ou gastos porque pode causar choque elétrico.

Calibre mínimo para os conjuntos do cabo de extensão				
Volts	Tamanho total do cabo em pés			
120V	0-25	26-50	51-100	101-150
	(0-6,7 m)	(7,9-15,2 m)	(15,5-30,5 m)	(30,8-45,7 m)
240V	0-50	51-100	101-200	201-300
	(0-15,2 m)	(15,5-30,5 m)	(30,8-60,9 m)	(61,2-91,4 m)
Taxa amp	AWG			
0-10	16	16	14	14
10-13	16	16	14	12
13-16	14	14	12	12
16-25	12	12	12	10
25-30	10	10	10	Não recomendado

Tamanho de cabo de extensão	Carga amp	Queda de tensão			
		16 AWG	14 AWG	12 AWG	10 AWG
25 pés 7,6 m	10 A	2,0	1,3	0,8	0,5
	15 A	3,0	1,9	1,2	0,8
	20 A	4,0	2,5	1,6	1,1
	30 A	6,0	3,8	2,3	1,6
50 pés 15,2 m	10 A	4,0	2,5	1,6	1,1
	15 A	6,0	3,8	2,3	1,6
	20 A	8,0	5,0	3,1	2,1
	30 A	12,0	7,5	4,7	3,2

Tamanho de cabo de extensão	Carga amp	Queda de tensão			
		16 AWG	14 AWG	12 AWG	10 AWG
100 pés 30,5 m	10 A	8,0	5,0	3,1	2,1
	15 A	12,0	7,5	4,7	3,2
	20 A	16,0	10,0	6,2	4,2
	30 A	24,0	15,0	9,3	6,3
150 pés 45,7 m	10 A	12,0	7,5	4,7	3,2
	15 A	18,0	11,3	7,0	4,7
	20 A	24,0	15,0	9,3	6,3
	30 A	36,0	22,5	14,0	9,5

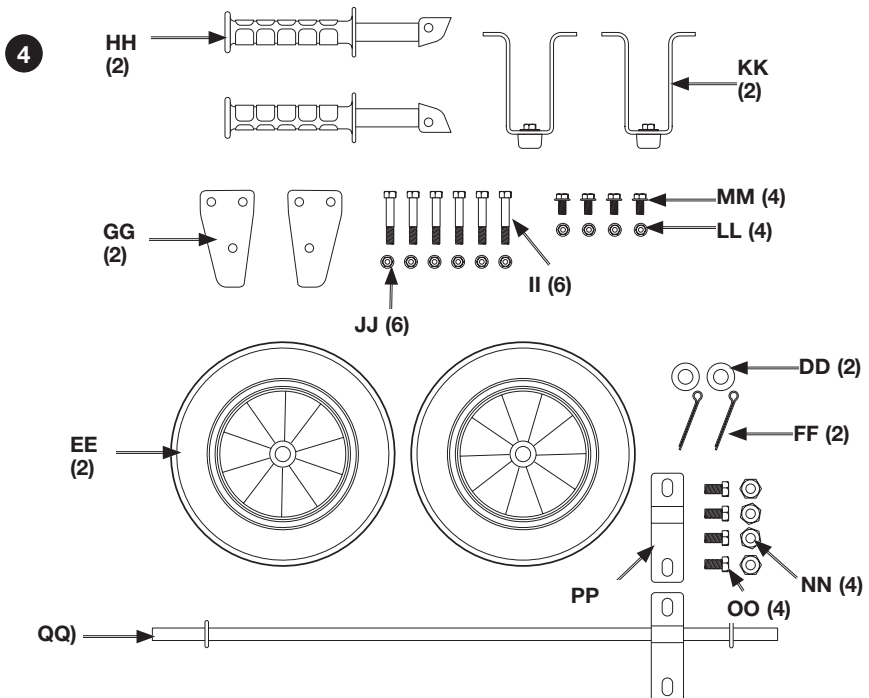
MONTAGEM DE ACESSÓRIOS

Os acessórios disponíveis para os geradores incluem o conteúdo mostrado na Figura 4.

NOTA: Duas pessoas são necessárias para fazer estas instalações. Instale o kit da roda antes de colocar gasolina ou óleo no motor para evitar dano ao motor. Se os acessórios forem instalados de pois de ligar o gerador, verifique se o tanque de gasolina está vazio, a válvula

de fechamento de combustível está na posição OFF (horizontal para o piso) e o óleo foi drenado do motor.

NOTA: Depois de aproximadamente 20 horas de operação, os parafusos do acessório podem ficar soltos. Aperte-os conforme necessário.



Montagem do kit da roda (somente PCI5000)

⚠ CUIDADO: Risco de levantamento. O gerador é muito pesado para ser levantado por uma pessoa. Peça ajuda de terceiros antes de levantar.

1. Incline com cuidado o gerador para que descanse na lateral do motor.
2. Instale dois suportes (KK) no chassi inferior. Use parafusos (MM) e arruelas (LL) para este passo.
3. Instale o eixo (QQ) no chassi inferior. Use parafusos (OO), arruelas (NN) e correia do eixo (PP) para este passo.
4. Deslize as rodas (EE) no eixo. Depois deslize as duas porcas (DD) em cada um dos eixos e prenda com pino de chaveta (FF) e incline um lado do pino.
5. Coloque o gerador ereto para que descanse na roda e suporte.

Manuseio da montagem do kit

1. Instale manípulos na lateral do motor do gerador ao prender cada suporte (GG) com parafusos (II) e arruelas (JJ).
2. Coloque a montagem do manípulo (HH) em cada suporte (GG) e prenda cada com parafusos (II) e arruelas restantes (JJ)
3. Aperte os parafusos até que a montagem fique instalada.

ADIÇÃO DE ÓLEO E COMBUSTÍVEL

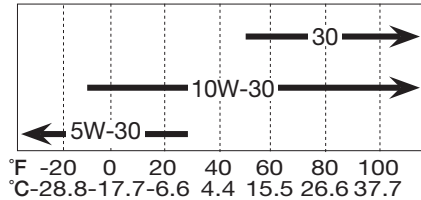
CUIDADO: O motor **NÃO FOI** enchido com óleo na fábrica. O óleo deve ser adicionado no motor antes de operar para evitar danificá-lo.

Recomendações de óleo

SAE 10W-30 é recomendado para uso geral. Consulte o Gráfico de Temperatura de Ambiente de Viscosidade para o óleo recomendado dentro da faixa de temperatura média da área local.

NOTA: NÃO é recomendado usar óleo sintético.

Gráfico de Temperatura de Ambiente de Viscosidade



Adicionar óleo (Figura 2)

1. Consulte o Gráfico de Temperatura de Ambiente de Viscosidade para obter a viscosidade correta.
2. Remova a vara de medição (L).
3. Adicione lentamente o óleo recomendado e consulte as especificações para a capacidade de óleo. **NOTA:** Se o óleo for adicionado muito rapidamente vazará e parecerá como se estivesse cheio.

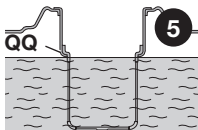
Consulte a seção **Verificar o óleo** em *Manutenção* para obter instruções.

Adicionar óleo no gerador (Figura 1, 5)

⚠ ATENÇÃO: Risco de explosão ou incêndio Vapor de gasolina é altamente inflamável. Adicione combustível internamente em um área bem ventilada. Não abasteça ou verifique o nível de gasolina enquanto o motor estiver ligado. Não armazene, derrame ou use gasolina próximo de chama, uma fonte de faúlhas (tal como solda) ou próximo de equipamento elétrico. Não fume quando preencher o tanque de combustível.

1. Remova a tampa de combustível (D)
2. Adicione gasolina nova, limpa e sem chumbo com um mínimo de 86 octanos no tanque de combustível (E). **NOTA:** Não misture óleo com gasolina.

⚠️ ATENÇÃO: Nunca encha o tanque de combustível completamente. Mantenha o nível de combustível máximo abaixo dos ombros na tela de resíduos (QQ) para permitir a expansão. Limpe qualquer respingo de combustível do motor e equipamento antes de ligar o motor.



3. Substitua a tampa de combustível no tanque. Vire a tampa no sentido horário até parar.

Combustíveis oxigenados

Algumas gasolinas convencionais são misturadas com álcool ou um composto de éter. As gasolinas são coletivamente mencionadas como combustíveis oxigenados. Para atender os padrões de ar, algumas áreas usam combustíveis oxigenados para ajudar a reduzir as emissões.

Se você usar um combustível oxigenado, verifique se é sem chumbo e atende os requisitos de classificação de 86 octanos mínimos. Antes de usar um combustível oxigenado, tente confirmar o conteúdo do combustível. Alguns estados/províncias exigem que esta informação seja colocada na bomba.

Etanol (etil ou álcool de grãos) 10% por volume. Você pode usar gasolina com até 10% de etanol por volume. A gasolina com etanol pode ser comercializada sob o nome de gasolina-álcool.

CUIDADO: Risco de dano à propriedade. NÃO use combustível E85.

MTBE (metil-terciário-butil-éter) 15% por volume. Você pode usar gasolina com até 15% de MTBE por volume.

Metanol (metil ou álcool de madeira) 5% por volume. Você pode usar gasolina com até 5% de metanol por volume contanto que contenha também solventes e inibidores de corrosão para proteger o sistema de combustível. A gasolina com mais de 5% de metanol por volume pode afetar a partida e/ou causar problemas de desempenho. Pode também danificar as partes de

metal, borracha e plástico do motor ou seu sistema de combustível.

Se observar quaisquer sintomas de operação indesejados tente outro posto de abastecimento ou troque de marca de gasolina.

NOTA: Dano ao sistema de combustível ou problema de desempenho é causado devido ao uso de combustível oxigenado com um percentual superior de composto oxigenado mencionado acima, não é coberto pela garantia.

LOCAL

⚠️ PERIGO: Risco de inalação. Exaustão do motor de gasolina contém monóxido de carbono fatal, que é sem odor e tóxico. Opere o motor somente externamente em áreas bem ventiladas, secas e limpas.

Considerações Sobre Ruído

Consulte os escritórios locais para obter informações em relação aos níveis aceitáveis de ruído na sua área.

FUNÇÕES (FIGURA 1-3)

Interruptor Lig/Desl

Coloque o interruptor do motor on/off (Z) para a posição ON (Lig). Para parar o gerador, coloque o interruptor na posição OFF (Desl). Consulte **Iniciar e parar** sob *Operação* para obter instruções completas para iniciar e parar.

Disjuntor principal

O disjuntor principal (AA) protege o alternador. Sobrecarregar o gerador disparará o disjuntor principal. Um curto circuito em um dispositivo elétrico que está sendo alimentado pode disparar o disjuntor principal. Se o disjuntor principal disparar:

1. Desconecte as cargas elétricas de todos os receptáculos.
2. Coloque o disjuntor principal (AA) na posição OFF e depois na posição ON para reiniciar.

IMPORTANTE: Se o disjuntor principal ficar na posição OFF quando nenhuma carga elétrica for conectada, entre em contato com o centro de atendimento ao cliente.

Botão seletor de voltagem

PCI2800-B3, PCI5000-B3

Esta opção (Y) permite ao gerador operar com voltagem única (120 V) ou modo de dupla voltagem (120/240V). Quando colocado na posição 120V ele permite que você receba toda a capacidade do gerador utilizando todos os receptáculos. Quando colocado na posição 120/240, você poderá receber somente a metade dos watts disponíveis ao usar os receptáculos de 120 volts e poderá receber os watts disponíveis e a capacidade total de watts ao usar o receptáculo com sistema de trava twist-lock 240V-4 dentes.

OBSERVAÇÃO: Não mova o interruptor selecionador de voltagem (Y) enquanto houver alimentação de dispositivos elétricos. Desligue todas as cargas elétricas antes de mover o interruptor. Falhas ao desconectar cargas elétricas podem danificar o interruptor.

Receptáculos (Fig. 3)

Os receptáculos são protegidos pelo disjuntor principal.

NOTA: Os receptáculos (BB, CC) não são protegidos por um GFCI. Use uma caixa de derivação protegida por GFCI ou adaptador GFCI para conectar as cargas no receptáculo.

NÍVEL BAIXO DE ÓLEO

O fechamento de óleo baixo é um dispositivo criado para proteger o motor de dano caso o nível de óleo no cárter fique baixo.

Se enquanto o motor estiver funcionando, o óleo fica baixo, será automaticamente fechado e não reiniciará até que adicione óleo. Se o óleo ficar baixo antes de iniciar, o gerador não iniciará até que adicione óleo.

NOTA: O mecanismo de fechamento do óleo baixo é muito sensível. Você deve encher o motor até a marca de preenchimento da vara de medição.

OPERAÇÃO

PRÉ-INICIAR LISTA DE VERIFICAÇÃO(FIGURA 3)

⚠ ATENÇÃO: Não opere esta unidade até que leia e entenda este manual de instruções e o manual de instrução da ferramenta para obter instruções de manutenção e de operação.

⚠ CUIDADO: Verifique sempre o nível de óleo do motor cada vez que iniciar. Usar o motor com nível baixo de óleo pode causar dano sério ao motor.

Siga os passos listados abaixo antes de ligar o gerador:

1. Coloque a unidade em uma superfície plana.
2. Verifique o óleo do motor. Consulte a seção **Recomendações de óleo** sob *Montagem* e **Especificações de produto** para obter o grau correto e a quantidade de óleo.

CUIDADO: Não opere a unidade internamente ou em uma área confinada. A PORTER CABLE não é responsável pela falha do motor causada por óleo inadequado.

3. Verifique o nível de combustível. Consulte a seção **Adicionar óleo e combustível** em *Montagem*.
4. Verifique se a arruela da vela de ignição está em boas condições. Consulte **Aterramento de gerador** sob *Montagem*.
5. Todas as cargas elétricas DEVEM ser desconectadas e o disjuntor principal (AA) fica na posição OFF.

⚠ CUIDADO: A velocidade do motor foi definida pela fábrica para fornecer uma operação segura. A alteração do ajuste da velocidade do motor pode causar superaquecimento dos acessórios e incêndio. Nunca tente “acelerar” o motor para obter mais desempenho. Ambas a tensão de saída e frequência sairão do padrão com esta prática colocando em perigo os acessórios e o usuário. Violação pode causar dano ao gerador e cancelar a garantia.

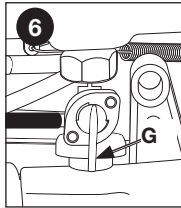
⚠ CUIDADO: Desconecte qualquer carga do gerador antes de iniciar para evitar dano permanente a quaisquer aplicações.

INICIAR GERADOR – (FIGURAS 1–3, 6–9)

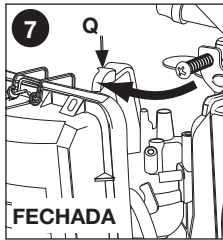
⚠ ATENÇÃO: Não opere esta unidade até que leia e entenda este manual de instruções e o manual de instrução da ferramenta para obter instruções de manutenção e de operação.

1. Desconecte todas as cargas elétricas do gerador e coloque o disjuntor principal (AA) na posição OFF.

2. Coloque a alavanca da válvula de combustível (G) na posição fechada vertical (OPEN)(Aberta), conforme mostrado.



3. Se o motor esfriar, mova o botão do motor (Q) para a posição CLOSED (Fechada), conforme mostrado.



Se o motor estiver quente, mova o botão do motor para a posição OPEN.

4. Coloque o interruptor do motor on/off (Z) para a posição ON (Lig).

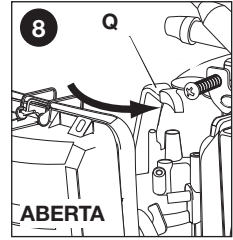
5. Puxe a alavanca de arranque (J) lentamente até que sinta a compressão e depois puxe rapidamente.

NOTA: Não permita que a alavanca do arranque volte para o lugar. Retorne-a lentamente com a mão.

NOTA: Se o nível de óleo do motor ficar baixo, o motor não funcionará. Se o motor não iniciar, verifique o nível de óleo e adicione mais se necessário.

NOTA: Para assegurar a lubrificação de óleo máxima, coloque o gerador em uma superfície de nível.

6. Enquanto o motor se aquece, mova o botão do motor (Q) para a posição open.



7. Deixe que o motor aqueça por cinco minutos. Depois coloque o disjuntor principal (AA) na posição ON. Conecte cargas elétricas, consulte **Conectar cargas elétricas** sob *Operação*.

NOTA: Se perceber qualquer ruído ou vibração incomum interrompa o funcionamento do motor e consulte a seção de solução de problemas, bem como o manual da loja.

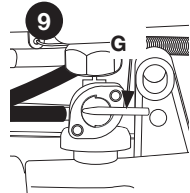
PARAR O GERADOR (FIGURAS 3, 9)

Mova o motor em uma emergência, mova o interruptor on/off do motor (Z) na posição OFF.

Parar o gerador durante operação normal

1. Desconecte todas as cargas elétricas ligados no gerador.

2. Mova o interruptor on/off do motor (Z) na posição OFF (Desl).



3. Coloque a alavanca da válvula de combustível (G) na posição (CLOSED)conforme mostrado.

CONEXÃO DE CARGAS ELÉTRICAS (FIGURA 3)

1. permite que o motor aqueça por cinco minutos. Então coloque o disjuntor principal (AA, Figura 3) na posição on.

Conecte as cargas da seguinte forma para evitar dano ao equipamento:

2. Conecte o equipamento de carga indutiva primeiro. As cargas indutivas consistem de refrigeradores, freezer, bombas de aquecimento, condicionadores de ar ou pequenas ferramentas de mão. Conecte os itens que requerem a maior dissipação primeiro.
3. Conecte as luzes a seguir.
4. O equipamento sensível a voltagem deve ser o último equipamento conectado ao gerador. Conecte os aparelhos sensíveis a tensão no TV's, VCR's, microondas, fornos, computadores e telefones sem fio no protetor de queda de tensão listada U.L. e depois conecte o protetor de queda de tensão listada U.L. no gerador.

⚠ ATENÇÃO: Erro ao conectar e operar o equipamento nesta seqüência pode causar dano ao equipamento e cancelar a garantia de seu gerador.

OPERAÇÃO DE CARGAS PESADAS

NÃO exceda o limite corrente especificado no painel de controle para qualquer receptáculo.

OPERAÇÃO EM ALTITUDE ELEVADA

Em altitude elevada, a mistura de ar-combustível do carburador padrão será muito rica. O desempenho diminuirá e o consumo de combustível aumentará. Uma mistura muito rica suja a vela de ignição e faz com que a partida seja difícil.

O desempenho em altitude elevada pode ser melhorado por modificações específicas no carburador. Se operar sempre seu motor em altitudes acima de 1,524 metros (5,000 pés) solicite a assistência técnica autorizada para fazer as alterações no carburador.

Mesmo com a modificação do carburador a potência do motor diminuirá aproximadamente 3,5% para cada 300

metros (1,000 pés) de aumento de altitude. O efeito da altitude na potência será maior do que este se não fizer nenhuma modificação no carburador. Uma diminuição da potência diminuirá o rendimento do motor.

NOTA: Quando o carburador foi modificado para operação em altitude elevada a mistura de ar/combustível será muito pobre para ser usado em altitude baixa. Se o motor for usado em altitudes baixas depois de fazer as modificações, o carburador pode fazer com que o motor superaqueça e cause dano sério ao motor. Para usar em altitudes baixas, solicite a assistência técnica autorizada para seguir as especificações de fábrica originais.

OPERAÇÃO EM ALTA E BAIXA TEMPERATURAS

A temperatura de ar afeta a saída do gerador. Saída cai 1% para cada temperatura de 10°F sobe acima de 60° F. Temperatura muito baixa pode fazer com que o motor demore a ligar.

MANUTENÇÃO

IMPORTÂNCIA DA MANUTENÇÃO

A manutenção correta é essencial para a operação sem problema, econômica e segura. Ajudará também a reduzir a poluição do ar.

⚠ ATENÇÃO: Manutenção incorreta ou erro em corrigir um problema antes da operação pode causar funcionamento precário, lesão séria ou morte. Siga sempre a recomendação e programação de inspeção e manutenção deste manual.

As páginas seguintes incluem uma programação de manutenção, procedimentos de inspeção de rotina e procedimentos simples de manutenção com ferramentas manuais básicas para o auxiliar no cuidado correto de seu gerador. Se não sentir-se confortável com qualquer procedimento de manutenção, entre em contato com o centro de atendimento ao cliente.

A manutenção, substituição ou reparo

dos dispositivos e sistema de controle de emissão podem ser feitos por qualquer assistência técnica de reparo do motor ou técnico qualificado usando pelas que são certificadas de acordo com os padrões OPA.

SEGURANÇA DE MANUTENÇÃO

⚠ ATENÇÃO: Não opere esta unidade até que leia e entenda este manual de instruções e o manual de instrução da ferramenta para obter instruções de manutenção e de operação.

Precauções de segurança

⚠ ATENÇÃO: Verifique se o motor está desligado antes de iniciar qualquer manutenção ou reparo. Isto eliminará diversos perigos potenciais, incluindo:

- Envenenamento por monóxido de carbono da exaustão de motor. Verificar se existe ventilação adequada sempre que operar o motor.
- Queimadura de peças quentes Permitir que o motor e sistema de exaustão esfrie antes de toca-lo para evitar queimaduras.
- Lesão de peças móveis Use vestuário apropriado, prenda cabelos longos e se mantenha alerta ao redor do gerador para evita lesão de peças móveis.

⚠ ATENÇÃO: Para reduzir o risco de incêndio não deixe que o motor seja operado sem assistência. Use somente solvente inflamável, sem gasolina, para limpar as peças. Mantenha os produtos de fumo, fagulhas e chamas distante de todas as peças relacionadas com combustível.

Leia todas as instruções antes de começar e verifique se tem ferramentas e habilidades necessárias. Um centro de serviço de fábrica PORTER CABLE ou um centro de serviço autorizado PORTER CABLE conhece seu gerador melhor e está totalmente equipado para fazer a manutenção e reparo. Para verificar a melhor qualidade e confiabilidade, use somente peças originais novas ou seus equivalentes para reparo ou substituição.

MANUTENÇÃO GERAL

⚠ ATENÇÃO: Tocar o motor quente ou sistema de exaustão pode causar queimadura ou incêndio sério. Fique familiar com a operação e os controles do motor.

NOTA: Todos os geradores contêm peças de manutenção (ex. óleo, filtros, etc) que são substituídos periodicamente. O óleo de motor contém substâncias que são reguladas e devem ser eliminadas de acordo com as leis e regulamentos federais, distritais, estaduais e locais.

NOTA: Tome nota das posições e locais das peças durante a desmontagem para fazer a remontagem mais fácil.

NOTA: Quaisquer operações de reparo não inclusas nesta seção devem se feitas pelo centro de serviço da PORTER CABLE ou a assistência técnica autorizada da PORTER CABLE.

Os procedimentos seguintes devem ser seguidos quando executar a manutenção ou reparo no motor.

GRÁFICO DE MANUTENÇÃO

Procedimento	Diário	50 horas (qualquer que vier primeiro)	100 horas	150 horas ou mensal (qualquer que vier primeiro)	500 horas
Limpe o exterior do gerador		X			
Verifique o nível de óleo	X				
Troque o óleo			X*(1)		
Limpe o filtro de ar			X(1)		
Limpe a vela de ignição					X
Verifique a linha de combustível, grampos da mangueira e tanque de combustível	X				
Inspeção de vazamento de óleo	X				
Recipiente de sedimento					X
limpe o tanque de combustível e filtro					X(2)
Verifique se tem ruído/vibração incomum	X				
Verifique e ajuste a folga da válvula (admissão de ,15 mm, escape de ,2 mm)				X (2)	
Prepare a unidade para armazenamento	Prepare a unidade para armazenamento se ficar sem uso por mais de 30 dias				
* O óleo do motor deve ser trocado depois das primeiras 20 horas de operação. Depois de alterar o óleo a cada 150 horas de operação ou mensalmente, qualquer que vier primeiro.					
(1) Use mais freqüentemente nas condições com poeira ou úmida					
(2) Entre em contato com um centro de atendimento ao cliente.					

GERADOR

Limpeza

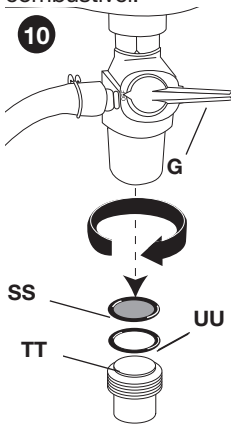
⚠ ATENÇÃO: Ao limpar, use somente sabão suave e um pano úmido nas partes plásticas. Muitos detergentes domésticos contêm substâncias químicas que podem danificar seriamente o plástico. Além disso, não use gasolina, turpentina, laquê ou redutor de tinta, fluidos de limpeza a seco ou produtos similares, que podem danificar seriamente as partes plásticas. Nunca permita que qualquer líquido entre dentro do moto; nunca mergulhe o motor em um líquido.

O gerador deve ser mantido limpo e seco em todos os momentos. O gerador não deve ser armazenado ou operado em ambientes que incluem umidade, poeira ou quaisquer vapores corrosivos excessivos. Se as substâncias estão no gerador, limpe com um pano ou escova suave. Não use uma mangueira de jardim ou qualquer coisa com pressão de água para limpar o gerador. A água pode entrar nas fendas de ar de resfriamento e pode danificar possivelmente o rotor, estator e os rolamentos internos do alternador.

LIMPEZA DO ELEMENTO DO FILTRO DE AR (FIGURAS 1, 10)

O copo de sedimento evita que sujeira ou água, que pode estar no tanque de combustível, entre no carburador. Se o motor não for usado por um longo tempo, o copo de sedimento deve ser limpo.

1. Coloque a válvula de fechamento de combustível (G) na posição OFF (horizontal para o piso). Remova o copo de sedimento (TT), anel em O (UU) e tela (SS), conforme mostrado.
2. Limpe o copo de sedimento, anel em O e tela em solvente de ponto flash elevado ou inflamável.
3. Reinstale o anel em O, tela e copo de sedimento.
4. Desligue a válvula de fechamento de combustível para a posição OPEN e verifique os vazamentos de combustível.



LIMPEZA DO ELEMENTO DO FILTRO DE AR (FIGURA 1, 11)

⚠ ATENÇÃO: Superfícies quentes. Risco de queimadura. O motor e peças ao redor são muito quentes e não devem ser tocadas (consulte a seção Superfícies quentes na Figuras 1, 2). Deixe que o motor esfrie antes de fazer o reparo.

Um filtro de ar sujo restringirá o fluxo de ar para o carburador. Para evitar falha do carburador, repare o filtro de

ar regularmente. Repare com mais frequência ao operar o motor em áreas com muita poeira.

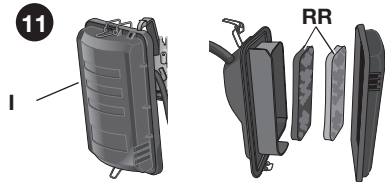
⚠ ATENÇÃO: Usar solvente inflamável ou de gasolina para limpar o elemento do filtro pode causar explosão ou incêndio.

⚠ ATENÇÃO: Risco de incêndio. Não opere o motor sem o filtro de ar.

Para limpar os elementos

⚠ ATENÇÃO: Ao usar ar comprimido, o usuário deve sempre usar óculos de proteção em conformidade com ANSI Z87.1.(CAN/CSA Z94.3) e proteção respiratória niosh/osha ou máscara para o rosto de ajuste correto.

1. Solte os grampos da tampa do filtro de ar (I) e remova a tampa do limpador de ar.
2. Remova o elemento do filtro de ar
3. Lave o(s) elemento(s) (RR) em uma solução de detergente caseiro e água quente, depois enxágüe totalmente ou lave com solvente de ponto flash elevado ou inflamável. Permita que o(s) elemento(s) seque(m) totalmente.



4. Mergulhe o elemento em óleo do motor limpo e retire o óleo excessivo. **NOTA:** O motor soltará fumaça ao ser ligado inicialmente se deixar muito óleo no elemento.
5. Reinstale o elemento de filtro de ar e coloque a tampa do filtro de ar no lugar.

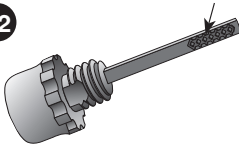
ÓLEO

⚠ ATENÇÃO: Superfícies quentes. Risco de queimadura. O motor e peças ao redor são muito quentes e não devem ser tocadas (consulte a seção Superfícies quentes na Figura 1). Deixe que o motor esfrie antes de fazer o reparo.

Para verificar o óleo (Figuras 2, 12)

1. Coloque a unidade em uma superfície de nível plana.
2. Remova o bujão de suprimento/vareta medidor de óleo (L) e limpe-a.
3. Reinsira o bujão de suprimento/vareta medidor de óleo na porta do bujão e aperte. Deixe que o óleo seja coletado pela vareta medidora por alguns segundos.
4. Remova o bujão de suprimento/vareta medidor de óleo para ler o nível de óleo. Se o nível de óleo ficar abaixo do valor padrão em uma vareta medidora, adicione óleo. **NOTA:** Os padrões podem diferir de acordo com o motor.

12



NOTA: Ao encher o cárter deixe que o óleo flua muito lentamente. Se o óleo for adicionado muito rapidamente vazará e parecerá como se estivesse cheio.

5. Substitua a vareta medidora e aperte com firmeza.

Para trocar o óleo (Figura 2)

NOTA: O óleo de motor contém substâncias que são reguladas e devem ser eliminadas de acordo com as leis e regulamentos federais, distritais, estaduais e locais.

1. Desconecte o fio da vela de ignição.
2. Coloque o recipiente adequado sob o tampão de drenagem de óleo (K).
3. Remova o bujão de suprimento/vareta medidor de óleo (L) do cárter.
4. Remova o tampão de drenagem do óleo (K).
5. Aguarde um tempo maior para que todo o óleo seque.
6. Instale o tampão de drenagem de óleo.

7. Encha com o óleo recomendado, consulte a seção **Recomendações de óleo** sob *Montagem*.
8. Substitua a vareta medidora e aperte com firmeza.
9. Reconecte o fio da vela de ignição.
10. Elimine o óleo de acordo com os regulamentos e leis federais, estaduais e locais.

VELA DE IGNIÇÃO (FIGURAS 2, 13)

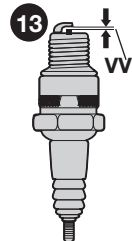
Use as velas de ignição recomendadas, consulte **Especificações de produto** da vela de ignição correta. Para assegurar a operação correta do motor, a vela de ignição deve ter a folga correta e livre de depósitos.

⚠ ATENÇÃO: Se o motor estiver funcionando o silenciador ficará muito quente. Para reduzir o risco de lesão permita que esfrie antes de continuar.

1. Remova a tampa da vela de ignição.
2. Limpe qualquer sujeira ao redor da base da vela de ignição.
3. Use uma chave de vela de ignição (não fornecida) para remover a vela.
4. Inspeção visualmente a vela de ignição. Substitua-a se o isolador estiver rachado ou lascado. Limpe a vela de ignição com uma escova de metálica se for usada novamente.

⚠ ATENÇÃO: Use sempre equipamento de segurança certificado: Óculos de proteção em conformidade com ANSI Z87.1 (CAN/CSA Z94.3) com proteções laterais.

5. Meça a folga da tampa da válvula de ignição com um calibrador (VV). Corrija, se necessário, ao inclinar com cuidado o eletrodo lateral. Consulte **Especificações de produto** para a folga correta.



6. Verifique se a arruela da vela de ignição está em boas condições. Enrosque a vela de ignição com as mãos para evitar encavalamento de rosca.
7. Depois de colocar a vela de ignição aperte com a chave de vela para comprimir a arruela. Se instalar uma nova vela de ignição aperte a vela 1/2 volta depois de colocá-la para comprimir a arruela. Se reinstalar uma vela de ignição usada, aperte 1/8–1/4 de volta depois que colocar a vela de ignição para comprimir a arruela. Não aperte em demasia.
8. Substitua com segurança a tampa da vela de ignição.

NOTA: A vela de ignição deve ficar apertada firmemente. Uma vela de ignição apertada incorretamente pode ficar muito quente e danificar o motor. Nunca use velas de ignição com uma faixa de calor incorreta. Use somente as velas de ignição recomendadas ou equivalentes.

DRENAGEM DO RESERVATÓRIO DE CARBURADOR (FIGURAS 1, 2)

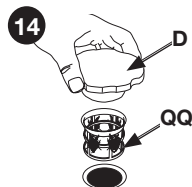
1. Coloque a alavanca da válvula de combustível (G) na posição fechada (horizontal para o piso).
2. Coloque um reservatório par combustível aprovado pela OPA sob o cárter (P). **NOTA:** Usar um funil permitirá que o combustível flua no reservatório com menos respingos.
3. Remova o dreno do reservatório do carburador (M).
4. Combustível será drenado do reservatório do carburador
5. Quando drenado, substitua o dreno do reservatório do carburador

LIMPEZA DA TELA DE RESÍDUOS (FIGURAS 1, 14)

AVISO: Risco de explosão e incêndio. Vapor de gasolina é altamente inflamável. Adicione combustível internamente em um área bem ventilada. Não abasteça ou verifique o nível de gasolina enquanto o motor estiver ligado. Não armazene,

derrame ou use gasolina próximo de chama, uma fonte de fagulhas (tal como solda) ou próximo de equipamento elétrico.

1. Remova a tampa de combustível (D).
2. Remova a tela de resíduo (QQ).
3. Limpe a tela de resíduos. Use ar comprimido para retirar resíduos.



ATENÇÃO: Ao usar ar comprimido, os usuários devem sempre usar óculos de proteção em conformidade com ANSI Z87.1. (CAN/CSA Z94.3).

4. Substitua a tela de resíduo e tampa de combustível.

TRANSPORTE

ATENÇÃO: As unidades são pesadas. Observe os procedimentos de levantamento de segurança ao transportar.

Antes de transportar o gerador, verifique se:

1. Coloca o interruptor do motor na posição On/Off (Lig/Desl)
2. Coloque a alavanca da válvula do tanque de gás na posição CLOSED (Fechada).
3. Mantenha o nível do gerador em todos os momentos para evitar respingo de combustível. O vapor de combustível ou respingo de combustível pode inflamar.

ATENÇÃO: Tocar o motor quente ou sistema de exaustão pode causar queimadura ou incêndio sério. Fique familiar com a operação e os controles do motor.

ARMAZENAGEM

Gerador

⚠ ATENÇÃO: Nunca armazene o gerador com combustível no tanque internamente ou em áreas ventiladas precariamente, fechadas ou internamente, onde fumaça pode atingir uma chama aberta, fagulha ou chama de piloto como em uma fornalha, aquecedor de água, secador de roupa ou outros aparelhos de gás.

1. Limpe o gerador conforme definido em *Manutenção*.
2. Verifique se as fendas de ar de resfriamento e aberturas no gerador estão abertas e desobstruídas.

Motor

⚠ ATENÇÃO: Se o motor estiver funcionando o silenciador ficará muito quente. Para reduzir o risco de incêndio não deixe que o motor seja operado sem assistência.

Se armazenar a unidade por mais de trinta dias drene todo o combustível das linhas de combustível, tanque e reservatório do carburador. Drene o óleo e encha novamente com óleo limpo e novo. **IMPORTANTE:** Combustível oxidará e deteriorará ao ser armazenado. Se o combustível se deteriorar durante a armazenagem, o carburador e peças relacionadas com o combustível deverão ser reparadas.

NOTA: O estabilizador de combustível pode ser usado para aumentar a vida útil do combustível. Siga as instruções recomendadas do estabilizador de combustível.

SERVIÇO

PEÇAS SOBRESSALENTES

Use somente peças sobressalentes idênticas. Você pode pedir as peças com seu centro de serviço mais próximo.

SERVIÇO E REPAROS

Todas as ferramentas de qualidade exigirão eventualmente reparo e/ou substituição de peças. Todos os reparos feitos pelos nossos centros de serviço são totalmente cobertos pela garantia para material defeituoso e mão de obra. Não podemos garantir reparos feitos ou tentativas feitas por terceiros.

GUIA DE SOLUÇÃO DE PROBLEMA

Esta seção fornece uma lista de falhas encontradas mais freqüentemente, suas causas e ações corretivas. O operador ou pessoal de manutenção pode fazer certas ações corretivas e outras podem necessitar de assistência de seu fornecedor ou um técnico qualificado.

Problema

Código

O motor não dá a partida 1, 2, 3, 4, 14, 15, 16, 17, 18, 19, 20, 21, 27
Sem saída elétrica 5, 6, 7, 8, 9, 10, 12, 13

NOTA: Se ainda não houver alimentação dos receptáculos, entre em contato com um centro de atendimento ao cliente.

Disparo do disjuntor principal repetido 9, 10

Superaquecimento do gerador 9, 11

O motor não continua a funcionar depois

de dar a partida 1, 2, 3, 14, 16, 18, 19, 20, 21, 27

Ruído surdo 23

Velocidade alta ou baixa 24, 25, 26

Energia baixa 16, 19, 22, 23

CODIGO	CAUSA POSSÍVEL	SOLUÇÃO POSSÍVEL
1	Interruptor Lig/Desl do motor na posição OFF.	Coloque na posição ON
2	Afogador na posição errada	Ajuste o afogador de acordo
3	Válvula de combustível na posição fechada	Abra a válvula de fechamento do combustível
4	Unidade carregada durante início	Remova a carga da unidade
5	Receptáculo com falha	Entre em contato com um centro de atendimento ao cliente
6	Disparo do disjuntos de circuito térmico do receptáculo	Pressione e reinicie
7	Capacitador defeituoso	Entre em contato com um centro de atendimento ao cliente
8	Cabo de alimentação defeituoso	Repare ou substitua o cabo
9	Gerador sobrecarregado	Reduza a carga
10	Cabo ou equipamento defeituoso	Verifique se está danificado, sem proteção ou os fios desgastados no equipamento. Substitua.
11	Ventilação insuficiente	Mova para fornecimento adequado de ar fresco
12	Bobinagem defeituosa no estator	Entre em contato com um centro de atendimento ao cliente
13	Arnês de fio com defeito	Entre em contato com um centro de atendimento ao cliente
14	Nível baixo ou sem combustível	Adicione combustível
15	Combustível adulterado	Drene o tanque de combustível e coloque gasolina nova, limpa e sem chumbo com um mínimo de 86 octanos
16	Nível baixo de óleo	Adicione óleo
17	Vela de ignição defeituosa	Substitua a vela de ignição
18	Vela de ignição solta	Anexe a tampa da vela de ignição firmemente
19	Sem compressão ou compressão baixa	Aperte a vela de ignição Se o problema não for corrigido entre em contato com centro de serviço ou a assistência técnica autorizada da PORTER CABLE
20	Sem ignição	Verifique o fio da vela de ignição. Se o problema não foi corrigido, entre em contato com um centro de atendimento ao cliente

CODIGO	CAUSA POSSÍVEL	SOLUÇÃO POSSÍVEL
21	Vela de ignição suja contém fuligem ou resíduo aderente preto	<p>a. Limpe a vela de ignição. Consulte a seção Vela de ignição em <i>Manutenção</i>.</p> <p>b. Verifique a folga da vela de ignição e ajuste, se necessário. Consulte a seção Vela de ignição em <i>Manutenção</i>.</p> <p>c. Substitua a vela de ignição. Consulte Especificações.</p> <p>d. Entre em contato com um centro de atendimento ao cliente</p>
22	Filtro de ar sujo	Limpe ou substitua os elementos do filtro de ar
23	Folga incorreta da válvula	Verifique a folga da vela. Entre em contato com um centro de atendimento ao cliente
24	Ligação do regulador presa ou curvada	Entre em contato com um centro de atendimento ao cliente
25	Eixo do estrangulador preso	Entre em contato com um centro de atendimento ao cliente
26	Mola do regulador curvada ou perdida	Entre em contato com um centro de atendimento ao cliente
27	Carburador sujo	Entre em contato com um centro de atendimento ao cliente

The following are PORTER-CABLE trademarks® for one or more power tools and accessories: a gray and black color scheme; a ♦ “four point star” design; and three contrasting/outlined longitudinal stripes. The following are also trademarks for one or more PORTER-CABLE and Delta products: Les éléments ci-dessous sont des marques de commerce des outils et des accessoires de PORTER-CABLE : un agencement de couleurs grise et noire; un motif d' « étoile à quatre pointes » ♦ et trois bandes longitudinales contrastantes/à contours. Les marques suivantes sont également des marques de commerce se rapportant à un ou plusieurs produits PORTER-CABLE ou Delta : Las siguientes son marcas comerciales PORTER-CABLE que distinguen a una o más herramientas y accesorios: un gráfico de color gris y negro; un diseño de ♦ “estrella de cuatro puntas” y tres franjas longitudinales contrastantes/delineadas. Las siguientes también son marcas comerciales para uno o más productos de PORTER-CABLE y Delta: 2 BY 4®, 890™, Air America®, AIRBOSS™, Auto-Set®, B.O.S.S.®, Bammer®, Biesemeyer®, Builders Saw®, Charge Air®, Charge Air Pro®, CONTRACTOR SUPERDUTY®, Contractor's Saw®, Delta®, DELTA®, Delta Industrial®, DELTA MACHINERY & DESIGN™, Delta Shopmaster and Design®, Delta X5®, Deltacraft®, DELTAGRAM®, Do It. Feel It.®, DUAL LASERLOC AND DESIGN®, EASY AIR®, EASY AIR TO GO™, ENDURADIAMOND®, Ex-Cell®, Front Bevel Lock®, Get Yours While the Sun Shines®, Grip to Fit®, GRIPVAC™, GTF®, HICKORY WOODWORKING®, Homecraft®, HP FRAMER HIGH PRESSURE®, IMPACT SERIES™, Innovation That Works®, Jet-Lock®, Job Boss®, Kickstand®, LASERLOC®, LONG-LASTING WORK LIFE®, MAX FORCE™, MAX LIFE®, Micro-Set®, Midi-Lathe®, Monsoon®, MONSTER-CARBIDE™, Network®, OLDAHAM®, Omnijig®, PC EDGE®, Performance Crew™, Performance Gear®, Pocket Cutter®, Porta-Band®, Porta-Plane®, PORTER CABLE®, PORTER-CABLE Professional Power Tools®, Powerback®, POZI-STOP™, Pressure Wave®, PRO 4000®, Proair®, Quicksand and Design®, Quickset II®, QUIET DRIVE TECHNOLOGY™, QUIET DRIVE TECHNOLOGY AND DESIGN™, Quik-Change®, QUIK-TILT®, RAPID-RELEASE™, RAZOR®, Redefining Performance®, Riptide®, Safe Guard II®, Sand Trap and Design®, Sanding Center®, Saw Boss®, Shop Boss®, Sidekick®, Site Boss®, Speed-Bloc®, Speedmatic®, Stair Ease®, Steel Driver Series®, SUPERDUTY®, T4 & DESIGN®, THE AMERICAN WOODSHOP®, THE PROFESSIONAL EDGE®, Thin-Line®, Tiger Saw®, TIGERCLAW®, TIGERCLAW AND DESIGN®, Torq-Buster®, TRU-MATCH®, T-Square®, Twinlaser®, Unifence®, Uniguard®, UNIRIP®, UNISAW®, UNITED STATES SAW®, Veri-Set®, Versa-Feeder®, VIPER®, VT™, VT RAZOR™, Water Driver®, WATER VROOM®, Waveform®, Whisper Series®, X5®, YOUR ACHIEVEMENT. OUR TOOLS.®

Trademarks noted with ® are registered in the United States Patent and Trademark Office and may also be registered in other countries. Other trademarks may apply. Les marques de commerce suivies du symbole ® sont enregistrées auprès du United States Patent and Trademark Office et peuvent être enregistrées dans d'autres pays. D'autres marques de commerce peuvent également être applicables. Las marcas comerciales con el símbolo ® están registradas en la Oficina de patentes y marcas comerciales de Estados Unidos (United States Patent and Trademark Office), y también pueden estar registradas en otros países. Posiblemente se apliquen otras marcas comerciales registradas.

PORTER  CABLE

SOLAMENTE PARA PROPÓSITO DE ARGENTINA:
 IMPORTADO POR: BLACK & DECKER ARGENTINA S.A.
 PACHECO TRADE CENTER
 COLECTORA ESTE DE RUTA PANAMERICANA
 KM. 32.0 EL TALAR DE PACHECO
 PARTIDO DE TIGRE
 BUENOS AIRES (B1618FBQ)
 REPÚBLICA DE ARGENTINA
 NO. DE IMPORTADOR: 1146/66
 TEL. (011) 4726-4400

SOLAMENTE PARA PROPÓSITO DE MÉXICO:
 IMPORTADO POR: BLACK & DECKER S.A. DE C.V.
 BOSQUES DE CIDROS, ACCESO RADIATAS NO. 42
 3A. SECCIÓN DE BOSQUES DE LAS LOMAS
 DELEGACIÓN CUAJIMALPA,
 05120, MÉXICO, D.F.
 TEL. (52) 555-326-7100
 R.F.C.: BDE810626-1W7

IMPORTED BY/IMPORTADO POR:
 BLACK & DECKER DO BRASIL LTDA.
 ROD. BR 050, S/N° - KM 167
 DIST. INDUSTRIAL II
 UBERABA - MG - CEP: 38064-750
 CNPJ: 53.296.273/0001-91
 INSC. EST.: 701.948.711.00-98
 S.A.C.: 0800-703-4644

MAQUINAS Y HERRAMIENTAS BLACK & DECKER CHILE S.A.
 AVDA. EDUARDO FREI M. #6001 EDIFICIO 67
 CONCHALI-SANTIAGO
 CHILE

HECHO EN CHINA
 FABRICADO NA CHINA
 MADE IN CHINA