

**Instruction  
Manual**

**12" Compound Laser Miter Saw**

**DUAL  
LASERLOC™**



MODEL 3802L

To learn more about Porter-Cable  
visit our website at:

<http://www.porter-cable.com>

**PORTER-CABLE**  
PROFESSIONAL POWER TOOLS

**IMPORTANT**

*Please make certain that the person who is to use  
this equipment carefully reads and understands  
these instructions before starting operations.*

The Model and Serial No. plate is located on the main  
housing of the tool. Record these numbers in the  
spaces below and retain for future reference.

Model No. \_\_\_\_\_

Type \_\_\_\_\_

Serial No. \_\_\_\_\_

# TABLE OF CONTENTS

IMPORTANT SAFETY INSTRUCTIONS .....	2
SAFETY GUIDELINES .....	3
GENERAL SAFETY RULES .....	4
ADDITIONAL SPECIFIC SAFETY RULES .....	5
FUNCTIONAL DESCRIPTION .....	6
CARTON CONTENTS .....	7
ASSEMBLY .....	7
OPERATION .....	10
TROUBLESHOOTING .....	19
MAINTENANCE .....	20
SERVICE .....	21
ACCESSORIES .....	21
WARRANTY .....	22
ESPAÑOL .....	23
FRANÇAISE .....	43
SERVICE CENTER LOCATIONS .....	.back cover

## IMPORTANT SAFETY INSTRUCTIONS

**▲ WARNING** Read and understand all warnings and operating instructions before using any tool or equipment. When using tools or equipment, basic safety precautions should always be followed to reduce the risk of personal injury. Improper operation, maintenance or modification of tools or equipment could result in serious injury and property damage. There are certain applications for which tools and equipment are designed. Porter Cable strongly recommends that this product NOT be modified and/or used for any application other than for which it was designed.

If you have any questions relative to its application DO NOT use the product until you have written Porter Cable and we have advised you.

Online contact form at <http://www.porter-cable.com>

Postal Mail: Technical Service Manager  
Porter Cable  
4825 Highway 45 North  
Jackson, TN 38305

Information regarding the safe and proper operation of this tool is available from the following sources:

Power Tool Institute  
1300 Sumner Avenue, Cleveland, OH 44115-2851  
[www.powertoolinstitute.org](http://www.powertoolinstitute.org)

National Safety Council  
1121 Spring Lake Drive, Itasca, IL 60143-3201

American National Standards Institute, 25 West 43rd Street, 4 floor, New York, NY 10036 [www.ansi.org](http://www.ansi.org)  
ANSI 01.1 Safety Requirements for Woodworking Machines, and

the U.S. Department of Labor regulations [www.osha.gov](http://www.osha.gov)

**SAVE THESE INSTRUCTIONS!**

# SAFETY GUIDELINES - DEFINITIONS

It is important for you to read and understand this manual. The information it contains relates to protecting YOUR SAFETY and PREVENTING PROBLEMS. The symbols below are used to help you recognize this information.

- ▲ DANGER** Indicates an imminently hazardous situation which, if not avoided, will result in death or serious injury.
  - ▲ WARNING** Indicates a potentially hazardous situation which, if not avoided, could result in death or serious injury.
  - ▲ CAUTION** Indicates a potentially hazardous situation which, if not avoided, may result in minor or moderate injury.
  - CAUTION** Used without the safety alert symbol indicates potentially hazardous situation which, if not avoided, may result in property damage.
- 

## CALIFORNIA PROPOSITION 65

**▲ WARNING** **SOME DUST CREATED BY POWER SANDING, SAWING, GRINDING, DRILLING, AND OTHER CONSTRUCTION ACTIVITIES** contains chemicals known to cause cancer, birth defects or other reproductive harm.

Some examples of these chemicals are:

- lead from lead-based paints,
- crystalline silica from bricks and cement and other masonry products, and
- arsenic and chromium from chemically-treated lumber.

Your risk from these exposures varies, depending on how often you do this type of work. To reduce your exposure to these chemicals: work in a well ventilated area, and work with approved safety equipment, always wear **MSHA/NIOSH** approved, properly fitting face mask or respirator when using such tools.

# GENERAL SAFETY RULES



**⚠ WARNING** READ AND UNDERSTAND ALL WARNINGS AND OPERATING INSTRUCTIONS BEFORE USING THIS EQUIPMENT. Failure to follow all instructions listed below, may result in electric shock, fire, and/or serious personal injury or property damage.

## IMPORTANT SAFETY INSTRUCTIONS

1. **FOR YOUR OWN SAFETY, READ INSTRUCTION MANUAL BEFORE OPERATING THE TOOL.** Learn the tool's application and limitations as well as the specific hazards peculiar to it.
2. **KEEP GUARDS IN PLACE** and in working order.
3. **ALWAYS WEAR EYE PROTECTION.** Wear safety glasses. Everyday eyeglasses only have impact resistant lenses; they are not safety glasses. Also use face or dust mask if cutting operation is dusty. These safety glasses must conform to ANSI Z87.1 requirements. **NOTE:** Approved glasses have Z87 printed or stamped on them.
4. **REMOVE ADJUSTING KEYS AND WRENCHES.** Form habit of checking to see that keys and adjusting wrenches are removed from tool before turning it "on".
5. **KEEP WORK AREA CLEAN.** Cluttered areas and benches invite accidents.
6. **DON'T USE IN DANGEROUS ENVIRONMENT.** Don't use power tools in damp or wet locations, or expose them to rain. Keep work area well-lighted.
7. **KEEP CHILDREN AND VISITORS AWAY.** All children and visitors should be kept a safe distance from work area.
8. **MAKE WORKSHOP CHILDPROOF** – with padlocks, master switches, or by removing starter keys.
9. **DON'T FORCE TOOL.** It will do the job better and be safer at the rate for which it was designed.
10. **USE RIGHT TOOL.** Don't force tool or attachment to do a job for which it was not designed.
11. **WEAR PROPER APPAREL.** No loose clothing, gloves, neckties, rings, bracelets, or other jewelry to get caught in moving parts. Nonslip footwear is recommended. Wear protective hair covering to contain long hair.
12. **SECURE WORK.** Use clamps or a vise to hold work when practical. It's safer than using your hand and frees both hands to operate tool.
13. **DON'T OVERREACH.** Keep proper footing and balance at all times.
14. **MAINTAIN TOOLS IN TOP CONDITION.** Keep tools sharp and clean for best and safest performance. Follow instructions for lubricating and changing accessories.
15. **DISCONNECT TOOLS** before servicing and when changing accessories such as blades, bits, cutters, etc.
16. **USE RECOMMENDED ACCESSORIES.** The use of accessories and attachments not recommended by Porter-Cable may cause hazards or risk of injury to persons.
17. **REDUCE THE RISK OF UNINTENTIONAL STARTING.** Make sure switch is in "OFF" position before plugging in power cord. In the event of a power failure, move switch to the "OFF" position.
18. **NEVER STAND ON TOOL.** Serious injury could occur if the tool is tipped or if the cutting tool is accidentally contacted.
19. **CHECK DAMAGED PARTS.** Before further use of the tool, a guard or other part that is damaged should be carefully checked to ensure that it will operate properly and perform its intended function – check for alignment of moving parts, binding of moving parts, breakage of parts, mounting, and any other conditions that may affect its operation. A guard or other part that is damaged should be properly repaired or replaced.
20. **DIRECTION OF FEED.** Feed work into a blade or cutter against the direction of rotation of the blade or cutter only.
21. **NEVER LEAVE TOOL RUNNING UNATTENDED. TURN POWER OFF.** Don't leave tool until it comes to a complete stop.
22. **STAY ALERT, WATCH WHAT YOU ARE DOING, AND USE COMMON SENSE WHEN OPERATING A POWER TOOL. DO NOT USE TOOL WHILE TIRED OR UNDER THE INFLUENCE OF DRUGS, ALCOHOL, OR MEDICATION.** A moment of inattention while operating power tools may result in serious personal injury.
23. **MAKE SURE TOOL IS DISCONNECTED FROM POWER SUPPLY** while motor is being mounted, connected or reconnected.
24. **THE DUST GENERATED** by certain woods and wood products can be injurious to your health. Always operate machinery in well ventilated areas and provide for proper dust removal. Use wood dust collection systems whenever possible.

**SAVE THESE INSTRUCTIONS.**

**Refer to them often and  
use them to instruct others.**

# ADDITIONAL SAFETY RULES FOR MITER SAWS

**▲ WARNING** FAILURE TO FOLLOW THESE RULES MAY RESULT IN SERIOUS PERSONAL INJURY.

1. **DO NOT OPERATE THIS MACHINE UNTIL** it is assembled and installed according to the instructions.
2. **OBTAIN ADVICE from your supervisor, instructor, or another qualified person** if you are not familiar with the operation of this machine.
3. **FOLLOW ALL WIRING CODES** and recommended electrical connections.
4. **MOUNT THE TOOL SECURELY** to a stable supporting surface prior to operation
5. **USE THE GUARDS WHENEVER POSSIBLE.** Check to see that they are in place, secured, and working correctly.
6. **USE ONLY CROSSCUT SAW BLADES.** Use only zero-degree or negative hook angles when using carbide-tipped blades. Do not use blades with deep gullets. These can deflect and contact the guard.
7. **USE ONLY BLADES OF THE CORRECT SIZE AND TYPE** specified for this tool.
8. **USE A SHARP BLADE.** Check blade to see if it runs freely and is free from vibration.
9. **INSPECT BLADE FOR CRACKS** or other damage prior to operation. Replace cracked or damaged blade immediately.
10. **CLEAN THE BLADE AND BLADE FLANGES** prior to operation. Check for any damage and tighten the arbor nut securely.
11. **USE ONLY BLADE FLANGES** specified for this tool.
12. **CLEAR THE AREA OF FLAMMABLE LIQUIDS** and/or gas prior to operation.
13. **CLEAN THE MOTOR AIR SLOTS** of chips and sawdust.
14. **TIGHTEN THE TABLE CLAMP HANDLE** and any other clamps prior to operation.
15. **NEVER START THE TOOL** with the workpiece against the blade.
16. **KEEP HANDS out of path** of saw blade. Clamp all workpieces that would require your hand to be in the "Table Hazard Zone" (within the red lines).
17. **ALLOW THE MOTOR to come to full speed** prior to starting cut.
18. **NEVER REACH AROUND** or behind the saw blade.
19. **NEVER CUT FERROUS METALS** or masonry.
20. **NEVER RECUT SMALL PIECES.**
21. **NEVER LOCK THE SWITCH** in the "ON" position.
22. **NEVER APPLY LUBRICANT** to a running blade.
23. **DO NOT PERFORM FREE-HAND OPERATIONS.** Hold the work firmly against the fence and table. Use clamps to hold the work when possible.
24. **PROPERLY SUPPORT LONG or wide workpieces.**
25. **AFTER COMPLETING CUT,** release power switch and wait for coasting blade to come to a complete stop before returning saw to raised position.
26. **TURN OFF TOOL AND ALLOW THE BLADE TO COME TO A COMPLETE STOP** prior to cleaning the blade area or removing debris in the path of the blade. A coasting blade can be dangerous.
27. **TURN OFF TOOL AND ALLOW BLADE TO COME TO A COMPLETE STOP** before removing or securing workpiece, changing workpiece angle, or changing the angle of the blade.
28. **NEVER PERFORM LAYOUT, ASSEMBLY,** or set-up work on the table/work area when the machine is running.
29. **TURN THE MACHINE "OFF" AND DISCONNECT THE MACHINE** from the power source before installing or removing accessories, before adjusting or changing set-ups, or when making repairs.
30. **TURN THE MACHINE "OFF",** disconnect the machine from the power source, and clean the table/work area before leaving the machine. **LOCK THE SWITCH IN THE "OFF" POSITION** to prevent unauthorized use.
31. **ADDITIONAL INFORMATION** regarding the safe and proper operation of this tool is available from the Power Tool Institute, 1300 Summer Avenue, Cleveland, OH 44115-2851. Information is also available from the National Safety Council, 1121 Spring Lake Drive, Itasca, IL 60143-3201. Please refer to the American National Standards Institute ANSI O1.1 Safety Requirements for Woodworking Machines and the U.S. Department of Labor OSHA 1910.213 Regulations.

## ADDITIONAL SAFETY RULES FOR THE LASER

1. **▲ CAUTION** LASER LIGHT - DO NOT STARE INTO BEAM, APERTURE, or into a reflection from a mirror-like surface Fig. 1&1A.
2. **▲ CAUTION** AVOID EXPOSURE - LASER LIGHT IS EMITTED FROM FRONT GUARD APERTURE. Use of controls or adjustments, or performance of procedures other than those specified herein may result in hazardous laser light exposure.
3. **▲ CAUTION** DO NOT DISASSEMBLE LASER MODULE. The laser is a CLASS II LASER PRODUCT that can emit laser power up to 1 mW MAX at 635 nm, which could result in exposure with the module disassembled. The laser unit complies with 21 CFR 1040.10 and 1040.11.
4. **▲ CAUTION** USE OF CONTROLS OR ADJUSTMENTS OR PERFORMANCE OF PROCEDURES OTHER THAN THOSE SPECIFIED HEREIN MAY RESULT IN HAZARDOUS RADIATION EXPOSURE.

**SAVE THESE INSTRUCTIONS.** Refer to them often and use them to instruct others.

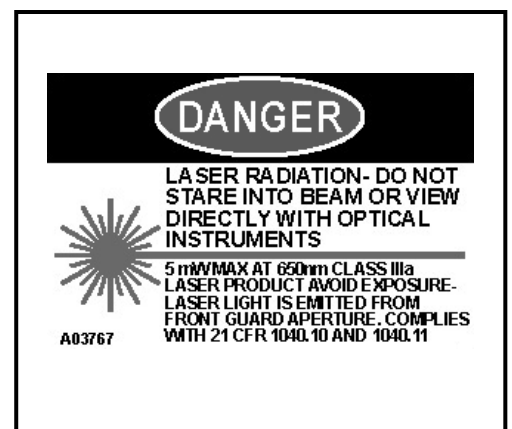


Fig. 1



Fig. 1A

## POWER CONNECTIONS

A separate electrical circuit should be used for your machines. This circuit should not be less than #12 wire and should be protected with a 20 Amp time lag fuse. If an extension cord is used, use only 3-wire extension cords which have 3-prong grounding type plugs and matching receptacle which will accept the machine's plug. Before connecting the machine to the power line, make sure the switch (s) is in the "OFF" position and be sure that the electric current is of the same characteristics as indicated on the machine. All line connections should make good contact. Running on low voltage will damage the machine.

**⚠ WARNING DO NOT EXPOSE THE MACHINE TO RAIN OR OPERATE THE MACHINE IN DAMP LOCATIONS.**

**POLARIZED PLUGS:** To reduce the risk of electric shock, this equipment has a polarized plug (one blade is wider than the other). This plug will fit in a polarized outlet only one way. If the plug does not fit fully in the outlet, reverse the plug. If it still does not fit, contact a qualified electrician to install the proper outlet. Do not change the plug in any way.

## MOTOR

Many Porter-Cable tools will operate on either D.C., or single phase 25 to 60 cycle A.C. current and voltage within plus or minus 5 percent of that shown on the specification plate of the tool. Several models, however, are designed for A.C. current only. Refer to the specification plate on your tool for proper voltage and current rating.

**⚠ CAUTION** Do not operate your tool on a current where the voltage is not within correct limits. Do not operate tools rated A.C. on a D.C. current. To do so may seriously damage the tool.

## REPLACEMENT PARTS

When servicing, use only identical replacement parts.

## EXTENSION CORDS

Use proper extension cords. Make sure your extension cord is in good condition. When using an extension cord, be sure to use one heavy enough to carry the current of the machine. An undersized cord will cause a drop in line voltage, resulting in loss of power and overheating. Fig. D, shows the correct gauge to use depending on the cord length. If in doubt, use the next heavier gauge. The smaller the gauge number, the heavier the cord.

MINIMUM GAUGE EXTENSION CORD			
RECOMMENDED SIZES FOR USE WITH STATIONARY ELECTRIC MACHINES			
Ampere Rating	Volts	Total Length of Cord in Feet	Gauge of Extension Cord
0-6	120	up to 25	18 AWG
0-6	120	25-50	16 AWG
0-6	120	50-100	16 AWG
0-6	120	100-150	14 AWG
6-10	120	up to 25	18 AWG
6-10	120	25-50	16 AWG
6-10	120	50-100	14 AWG
6-10	120	100-150	12 AWG
10-12	120	up to 25	16 AWG
10-12	120	25-50	16 AWG
10-12	120	50-100	14 AWG
10-12	120	100-150	12 AWG
12-16	120	up to 25	14 AWG
12-16	120	25-50	12 AWG
12-16	120	GREATER THAN 50 FEET NOT RECOMMENDED	

Fig. D

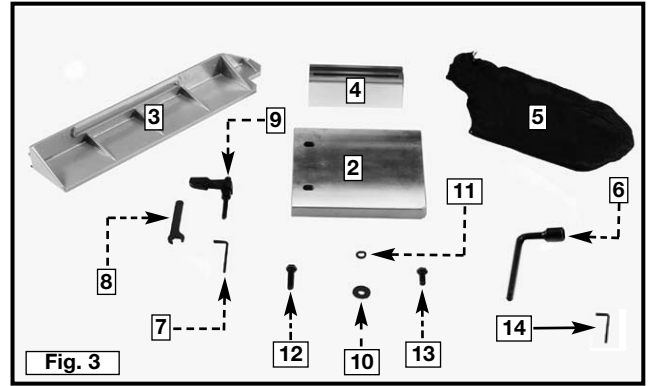
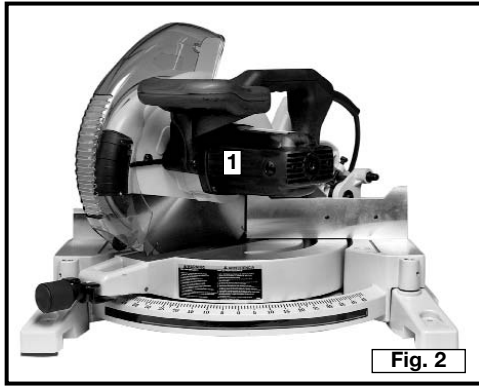
## FUNCTIONAL DESCRIPTION

### FOREWORD

Porter-Cable Model 3802L is a high capacity, 12" compound laser miter saw designed to cut wood and non-ferrous metals. This unit incorporates the latest technology DUAL LASERLOC™ line-of-cut indicator feature. It can crosscut 8" x 2 1/4" and 7" x 3 1/4", miter at 45° both left and right 5 1/4" x 2 1/4", bevel at 45° left 6 1/4" x 2 1/4" and 8" x 1 1/4", and compound 45° x 45°, 5 1/4" x 2 1/2" and 4 1/4" x 2 1/4". It has positive miter stops at 0°, 15°, 22.5°, 31.62°, and 45° both left and right, and bevel stops at 0° and 45° left.

**NOTICE:** The photo on the manual cover illustrates the current production model. All other illustrations contained in the manual are representative only and may not depict the actual color, labeling, or accessories, and are intended to illustrate technique only.

# CARTON CONTENTS



1. Miter Saw
2. Extension table
3. Fence slide
4. Fence slide support
5. Dust bag
6. 1/2" Arbor and fence wrench
7. 1/4" hex wrench
8. Open end 7/16" wrench
9. Lock handle for sliding fence
10. 5/16" flat washer
11. 5/16" lock washer
12. 5/16 - 18 x 1 1/4" long hex head screw (2)
13. 5/16 - 18 x 3/4" long hex head screws (2)
14. 1/8" hex wrench

## UNPACKING AND CLEANING

1. Carefully remove the machine from the carton. Retain all packing materials until you have inspected and satisfactorily operated the machine.

**⚠ WARNING** Do not operate this machine until you read and understand the entire instruction manual.

2. Place the machine on a firm, level surface with extra room for handling and proper support of the workpiece.
3. Familiarize yourself with all features and controls explained in this manual.
4. The machine is shipped with the cuttinghead locked in the down position and the table rotated to 45° left, Fig. 2. To release the head and move it to the operating position, see **"MOVING CUTTINGHEAD TO THE UP POSITION"** and **"MOVING THE TABLE TO THE 0° CUT-OFF POSITION"** in this manual (Fig. 5 & 7).

# ASSEMBLY

## ASSEMBLY TOOLS REQUIRED

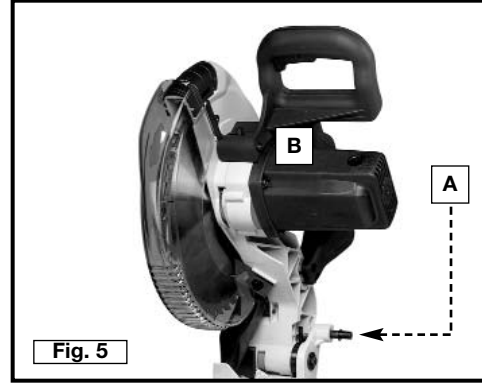
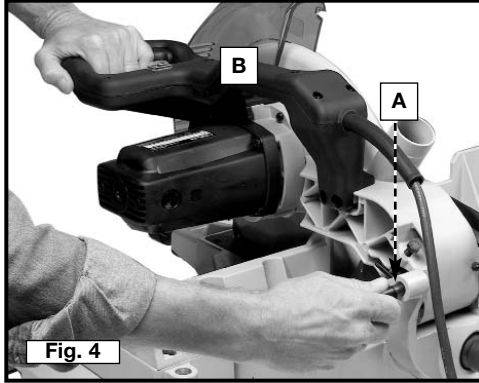
1/2" arbor and fence wrench (supplied)  
7/16" Open end wrench (supplied)

## ASSEMBLY TIME ESTIMATE

Assembly time for this unit is approximately 30 minutes.

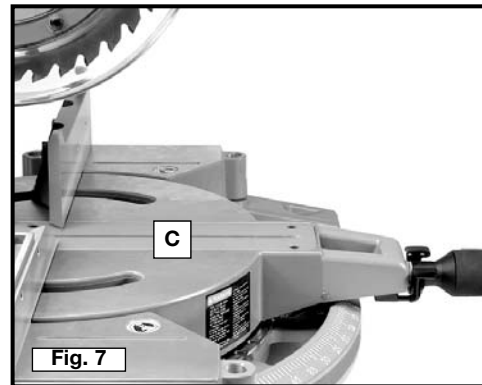
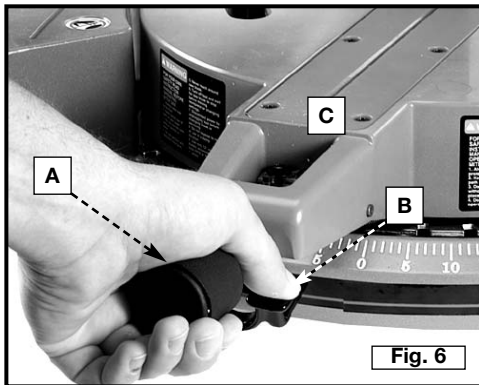
## MOVING CUTTINGHEAD TO THE UP POSITION

1. Pull out the cuttinghead lockpin (A) Fig. 4, and move the cuttinghead (B) to the up position.
2. Fig. 5 illustrates the lockpin (A) pulled out and the cuttinghead (B) in the up position.



## MOVING TABLE TO THE 0° CUT-OFF POSITION

1. Rotate locking knob (A) Fig. 6 counter-clockwise as far as it will go. Depress the lever (B) and rotate the table (C) to the 0° straight cut-off position, release the lever (B), and tighten the locking knob (A).
2. Fig. 7 illustrates the table (C) in the 0° straight cut-off position.
3. For proper operation and adjustment of the table, refer to sections, “ROTATING TABLE FOR MITER CUTTING”, and “ADJUSTING SLIDING FIT BETWEEN MOVABLE TABLE AND BASE.”

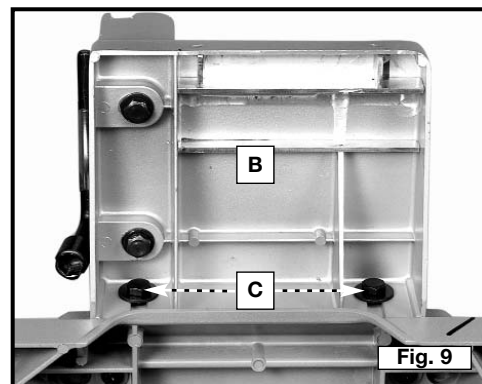
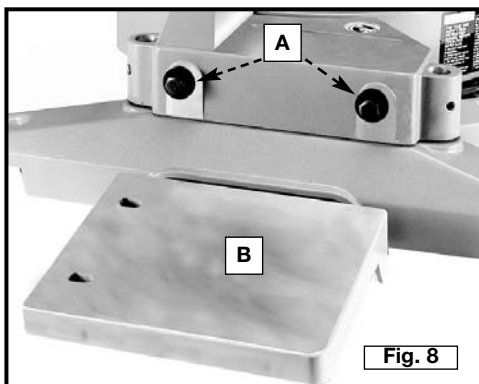


## ATTACHING EXTENSION TABLE AND FENCE SLIDE

1. Attach flat washers to the two 5/16-18 x 3/4” screws (A) Fig. 8. Thread the screws into the holes on left side of the saw (Figs. 8 & 9).

**NOTE:** Turn the screws only a few threads for further adjustment.

2. Attach the table extension (B) Figs. 8 and 9 to left side of saw table, making sure that the groove of the table extension (B) is inside the flat washers (C) Fig. 8.
3. Use a straight edge (C) Fig. 10 to ensure that the extension table (B) is even with the saw table (D). Tighten the two screws (C) Fig. 9.



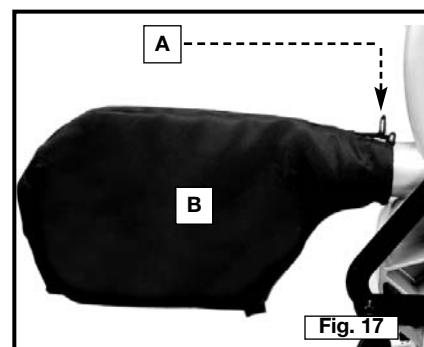
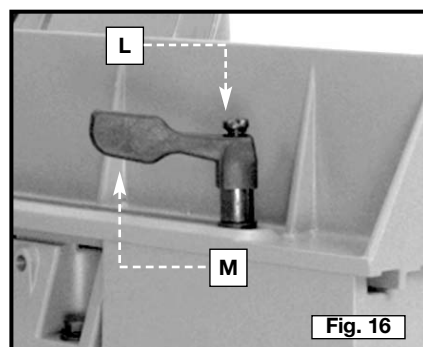
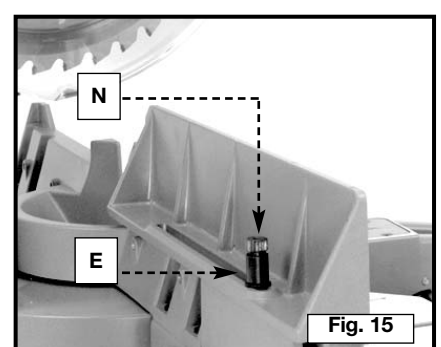
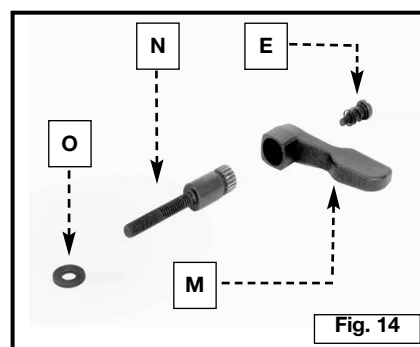
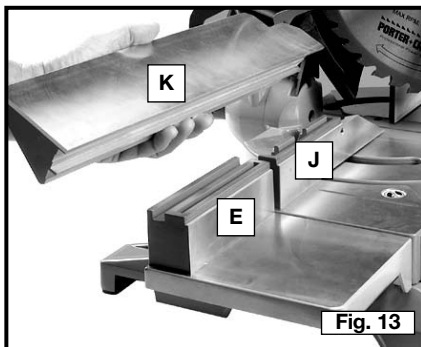
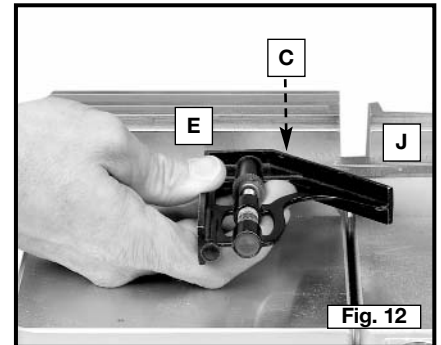
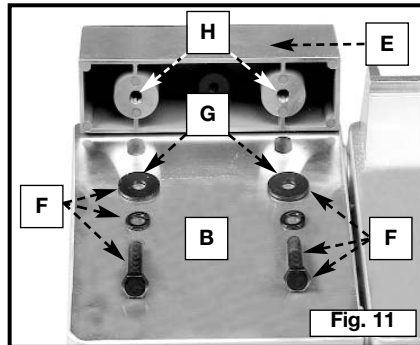
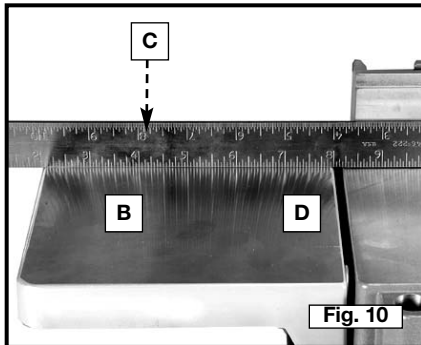


- Attach the fence slide support (E) Fig. 11 to the extension table (B) by using the two 5/16-18 x1-1/4" hex head screws, 5/16" lockwashers, and 5/16" flat washers (F). Insert the two screws up through the two holes (G) in the table extension and thread them into the two threaded holes (H) on the bottom of the fence slide support.

**NOTE:** Leave the screws loose for now.

- Use a straight edge (C) Fig. 12 to align the fence slide support (E) with the saw fence (J), and tighten the two screws.
- Position the fence slide (K) Fig. 13 on top of the saw fence (J) and the fence slide support (E). Move the fence slide (K) back and forth several times to check the alignment of the fence slide support (E). Make any necessary final adjustments to the fence slide support.
- Remove the screw and spring (E) Fig. 14 and the locking handle (M) from the locking stud (N).
- Place a 1/4" flat washer (O) Fig. 14 on the locking stud (N) and insert locking stud (N) Fig. 15 through the slot in the fence slide.
- Place the lock handle (M) Fig. 16 on the stud and replace the screw and spring (L) that were removed in **STEP 7**.

**NOTE:** The lock handle (M) is spring-loaded and can be repositioned by lifting up on handle.



## ATTACHING DUST BAG

Depress the spring clips (A) Fig. 17 of the dust bag (B) and clip the dust bag (B) over the ribs of the dust chute.

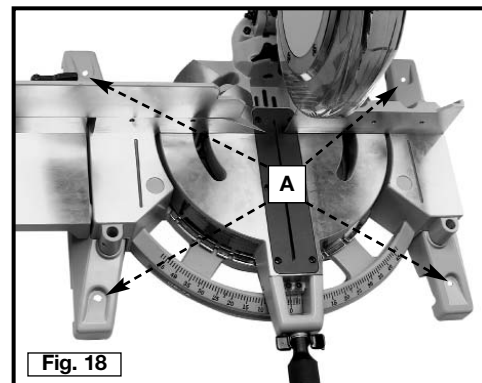
# OPERATION

## OPERATING CONTROLS AND ADJUSTMENTS

### FASTENING MACHINE TO SUPPORTING SURFACE

Before operating your miter saw, firmly mount it to a workbench or other supporting surface. Four holes (A) Fig. 18 are provided for fastening the saw to a supporting surface.

When frequently moving the saw from place to place, mount the saw on a 3/4" piece of plywood. The saw can then be easily moved from place to place and the plywood can be clamped to the supporting surface using "C" clamps.



### STARTING AND STOPPING MACHINE

To start the machine, depress the switch trigger (A) Fig. 19. To stop the machine, release the switch trigger.

This saw is equipped with an automatic electric blade brake. As soon as the switch trigger (A) Fig. 19 is released, the electric brake is activated and stops the blade in seconds.

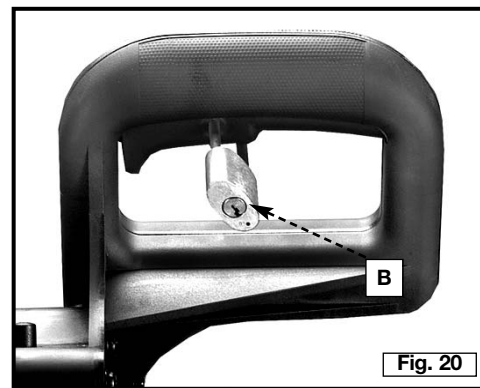
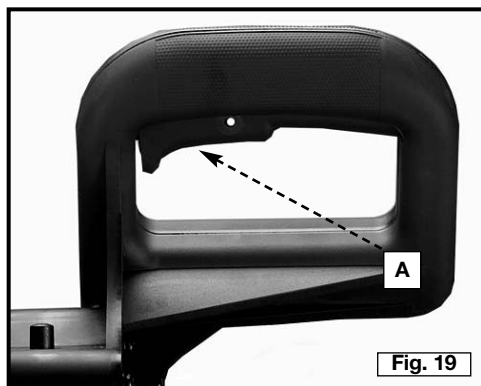
**⚠ WARNING** A rotating saw blade can be dangerous. After completing the cut, release the switch trigger (A) Fig. 19 to activate the blade brake. Keep the cuttinghead down until the blade has come to a complete stop.

**⚠ WARNING** The torque developed during braking may loosen the arbor screw. The arbor screw should be checked periodically and tightened if necessary.

### LOCKING SWITCH IN THE "OFF" POSITION

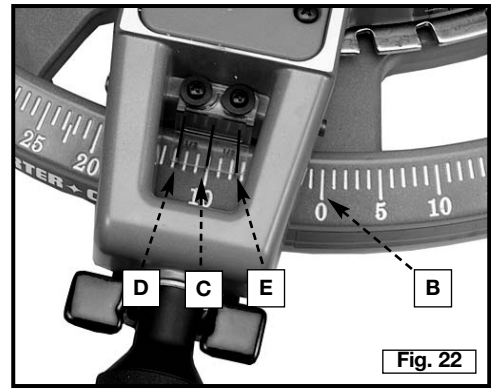
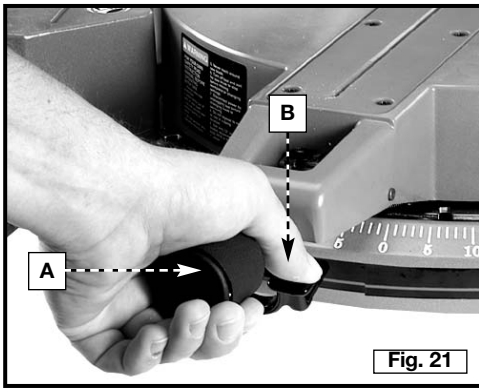
**IMPORTANT:** When the miter saw is not in use, the switch should be locked in the "OFF" position, using a padlock (B) Fig. 20 with a 3/16" diameter shackle to prevent unauthorized use of the saw.

In the event of a power outage, always lock switch in "OFF" position until the main power is restored.



### ROTATING TABLE FOR MITER CUTTING

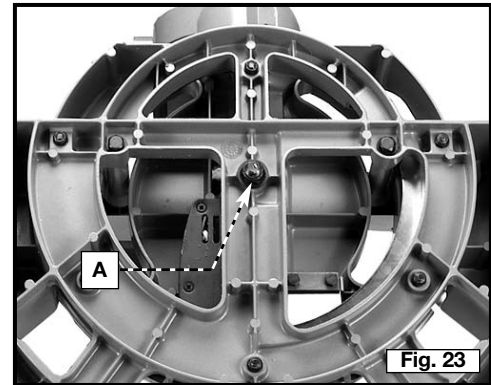
1. This miter saw will cut any angle from 0° to 47° right and left. Turn the locking knob (A) Fig. 21 counter-clockwise, depress the lock lever (B), and rotate the table.
2. The compound miter saw is equipped with positive stops at 0°, 15°, 22.5°, 31.62°, and 45° left and right.
3. The center line (C) Fig. 22 on the cursor indicates the actual angle of cut. Each scale line (B) represents 1°. When the center line (C) is moved from one line to the next on the scale, the angle of the cut is changed by 1°.
4. The pointer is provided with two additional lines (D) and (E) Fig. 22. This allows movement of 1/2°. For example, assume the center line (C) is pointing to the 10° mark on the scale, and the angle of cut is 1/2° to the right. Move the control arm until the right line (E) lines up with the next line on the scale. If you change the angle of cut 1/2° to the left, use the left line (D).



## ADJUSTING SLIDING FIT BETWEEN MOVABLE TABLE AND BASE

**⚠ WARNING** DISCONNECT THE MACHINE FROM THE POWER SOURCE.

To adjust the sliding fit between the movable table and the base, turn the nut (A) Fig. 23 clockwise to increase the sliding fit (opposite to decrease the fit). This adjustment should not be so tight that it restricts the rotating movement of the table, or so loose that it affects the accuracy of the saw.

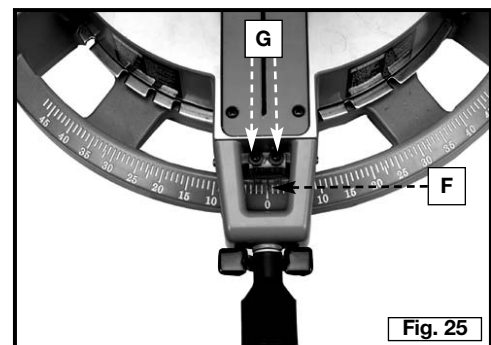
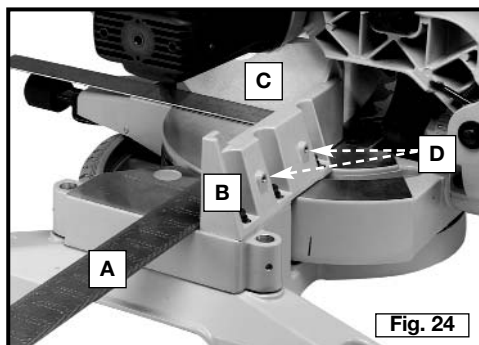


## ADJUSTING FENCE 90° TO BLADE

**IMPORTANT:** Before making this adjustment, set the blade at 0° to the table. See section “ADJUSTING 0° AND 45° BEVEL POSITIVE STOPS.”

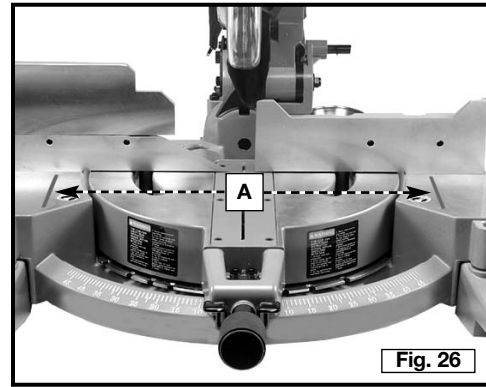
**⚠ WARNING** DISCONNECT THE MACHINE FROM THE POWER SOURCE.

1. Rotate the movable table so that the blade is 90° to the fence and the positive stop is set for 0°.
2. Place one end of a framing square (A) Fig. 24 against the front of the fence (B) and the other end against the blade (C), with the blade locked in the down position. The fence should be 90° to the blade.
3. If an adjustment is necessary, the fence (B) Fig. 24 can be adjusted by loosening four screws (two of which are shown at D), that attach the fence to the base. Use the wrench supplied. Adjust the fence (B), and tighten the four screws (D).
4. When the fence is 90° to the blade, adjust the cursor (F) Fig. 25, so that the pointer is aligned with the 0° mark on the scale by loosening two screws, (G), adjusting cursor (F) and tightening screws (G).



## TABLE HAZARD ZONE

**⚠ WARNING** The area inside the two red lines (A) Fig. 26 on the table is designated as a HAZARD ZONE. Never place your hands inside this area while the tool is being operated. Always use a clamp to secure short workpieces.

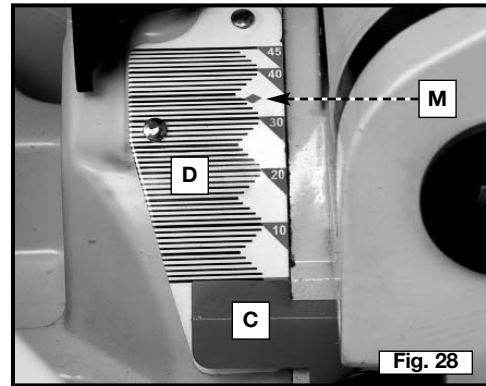
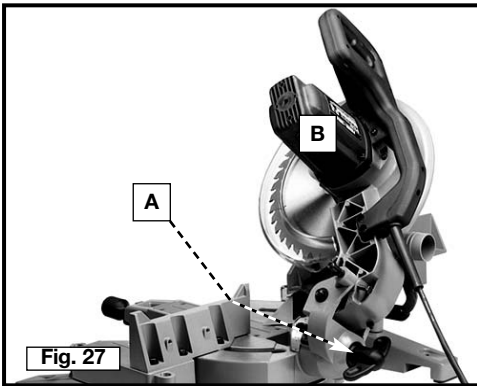


## TILTING CUTTINGHEAD FOR BEVEL CUTTING

**⚠ WARNING** DISCONNECT THE MACHINE FROM THE POWER SOURCE.

**IMPORTANT:** Move the sliding fence to the left to provide clearance for the blade and guard. The degree of tilt determines how far to move the sliding fence. Refer to the section “**ADJUSTING SLIDING FENCE.**”

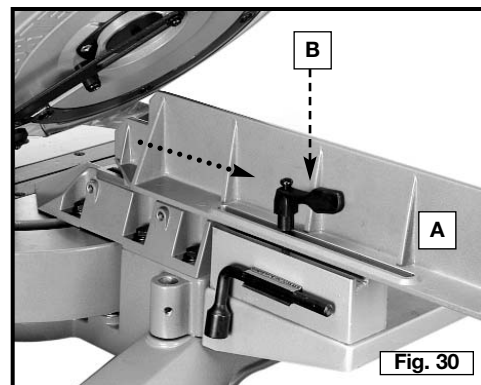
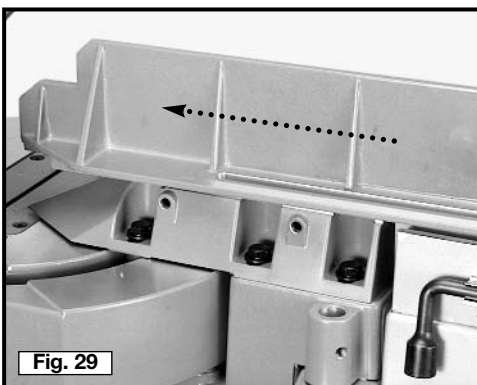
1. The cuttinghead can be tilted to cut any bevel angle from 90° to 45° left bevel. Loosen the bevel lock handle (A) Fig. 27, tilt the cuttinghead (B) to the desired angle, and tighten the lock handle (A).
2. Positive stops are provided to rapidly position the saw blade at 90° and 45°. Refer to the section of this manual titled “**ADJUSTING 90° AND 45° BEVEL POSITIVE STOPS.**” The bevel angle of the cutting arm is determined by the position of the pointer (C) Fig. 28 on scale (D).
3. In addition, a marked indicator (M) Fig. 28 is provided on the bevel scale (33.9°) for cutting crown moulding. Refer to the “**CUTTING CROWN MOULDING**” section of this manual.



## ADJUSTING SLIDING FENCE

The sliding fence (Fig. 29) provides support for extra large workpieces used with your saw and should always be set as close as possible to the saw blade. When miter cutting (blade 90° to the table and at an angle to the right or left), set the fence all the way toward the blade (Fig. 29). When bevel cutting, however (blade tilted at an angle to the table), move the fence (A) Fig. 30 away from the blade to allow for proper clearance for the saw blade and guard. To reposition the fence, loosen the lock handle (B), and slide the fence (A) to the desired location. Tighten the lock handle (B).

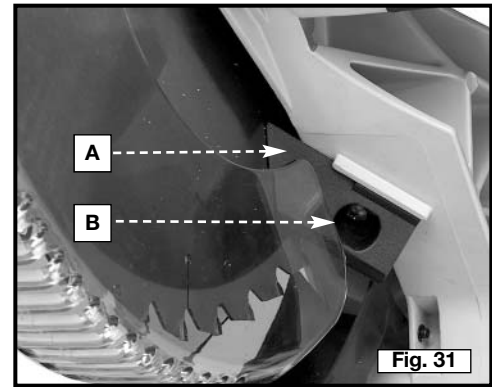
**NOTE:** The lock handle (B) is spring-loaded and can be repositioned. Pull up on handle to reposition it on the serrated nut located underneath handle.



## ADJUSTING CHIP DEFLECTOR

**⚠ WARNING** DISCONNECT THE MACHINE FROM THE POWER SOURCE.

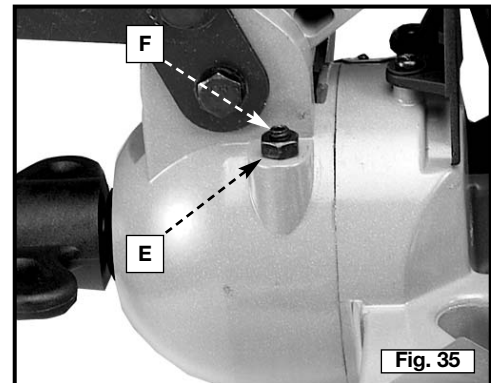
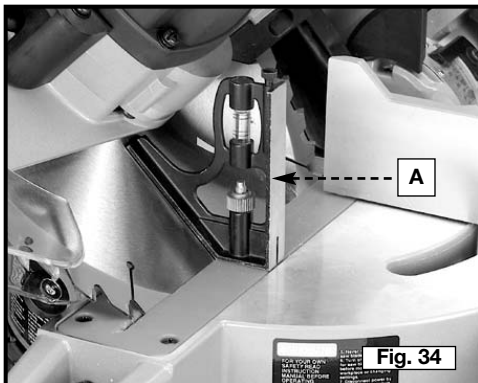
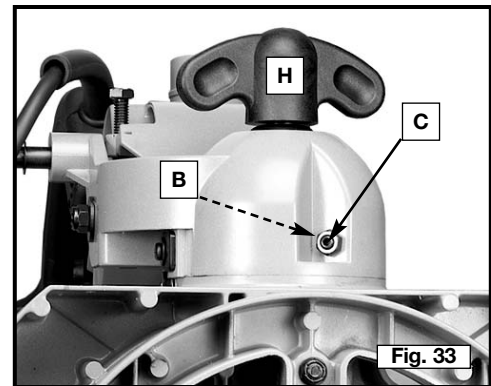
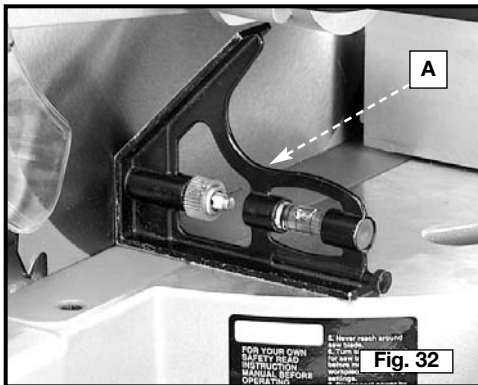
A chip deflector (A) Fig. 31 is supplied to help prevent scrap or cut-off pieces from entering the upper blade guard. Adjust the chip deflector (A) so that it is almost touching the side of the blade. Loosen the screw (B), adjust the chip deflector (A), and tighten the screw (B).



## ADJUSTING 0° AND 45° BEVEL POSITIVE STOPS

**⚠ WARNING** DISCONNECT THE MACHINE FROM THE POWER SOURCE.

1. Adjust the saw so that both the bevel and miter pointers are set at 0°. Tighten the bevel lock handle and lock the cuttinghead in the down position.
2. Place one end of a square (A) Fig. 32 on the table and the other end against the blade. The blade should be 90° to the table.
3. To adjust, loosen the bevel lock handle (H) Fig. 33. Loosen the locknut (B) and turn the adjusting screw (C) with the provided wrenches until the blade is 90° to the table. Tighten the locknut (B) and the bevel lock handle (H).
4. When the blade is 90° to the table, adjust the pointer to line up with the 0° mark on the bevel scale.
5. Loosen the bevel lock handle (H) Fig. 33, and move the cuttinghead all the way to the left bevel position and tighten the bevel lock handle.
6. Use a square (A) Fig. 34 to see if the blade is at 45° to the table.
7. To adjust, loosen the bevel lock handle. Loosen the locknut (E) Fig. 35 and turn the adjusting screw (F) with the provided wrenches, until the blade is 45° to the table. Tighten the locknut (E) and the bevel lock handle.



## ADJUSTING SLIDING FIT BETWEEN TRUNNION AND BEVEL BRACKET

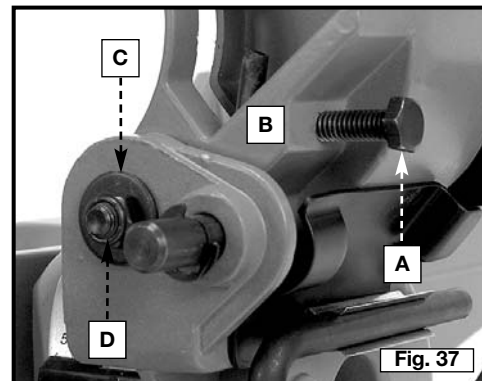
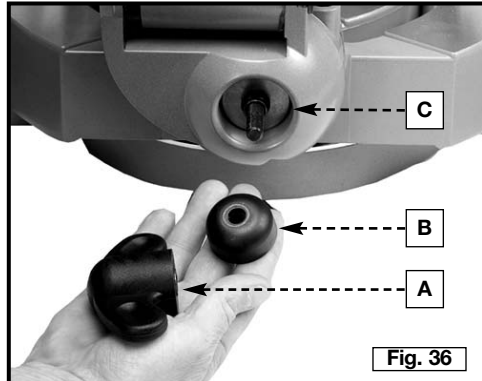
After a long period of time, the sliding fit between the trunnion and the bevel bracket may need to be adjusted. Adjust the sliding fit by tightening the adjusting nut (C) Fig. 36, located underneath the bevel lock (A) Fig. 36 and collar (B) Fig. 36. This adjustment should not be so tight that it restricts the tilting movement of the trunnion when bevel cutting, or so loose that it affects the accuracy of the saw cut.

## ADJUSTING THE TENSION OF CUTTINGHEAD RETURN SPRING

The cuttinghead return spring tension was adjusted at the factory to make the cuttinghead return to the "up" position after a cut is made. To adjust the spring tension, turn the adjusting screw (A) Fig. 37 clockwise to increase or counterclockwise to decrease the spring tension.

## ADJUSTING SLIDING FIT BETWEEN CUTTINGHEAD ARM AND TRUNNION

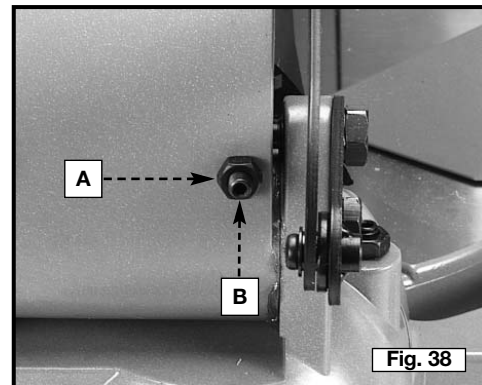
After a long period of time, an adjustment of the sliding fit between the cuttinghead arm (B) Fig. 37, and the trunnion (C) may be necessary. To adjust, tighten the nut (D). This adjustment should not be so tight that it restricts the sliding movement of the cuttinghead arm (B) or so loose that it affects the accuracy of the saw cut.



## ADJUSTING DOWNWARD TRAVEL OF SAW BLADE

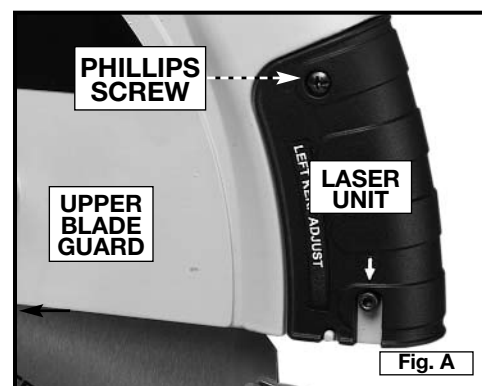
**⚠ WARNING** DISCONNECT THE MACHINE FROM THE POWER SOURCE.

1. The downward travel of the saw blade can be limited to prevent the saw blade from contacting any metal surfaces of the machine. Make this adjustment by loosening the locknut (A) Fig. 38, and turning the adjusting screw (B) in or out until other end of the screw (B) contacts the stop at the full downward travel of the saw blade.
2. Lower the blade as far as possible. Rotate the blade by hand to make certain that the teeth do not contact any metal surfaces. After adjusting, tighten the locknut (A) Fig. 38.



## LASER USE AND ADJUSTMENT

The DUAL LASERLOC™ laser units are mounted in a housing that is fitted into the upper blade guard of the miter saw (Fig. A). The lasers project a beam of light downward, along both sides and parallel to the saw blade. This beam of light produces a line-of-cut indicator (a red outline of where the saw blade will cut) on the workpiece.



## ADJUSTING THE DUAL LASERLOC™ LINES

Each of the laser lines have been aligned parallel to the blade at the factory and should not need any adjustment prior to use. However, left-to-right adjustment to the laser lines may be necessary if you change to a thicker or thinner kerf blade. For information on changing your blade, refer to the "**MAINTENANCE: CHANGING THE BLADE**" section of this manual. To adjust the laser lines to the edge of the cut, follow the instructions below.

### HOW THE LASERS WORK

The laser units are mounted in a housing that is fitted into the upper blade guard of the miter saw (Fig. A). The laser units are aligned to the original equipment blade at the factory and are secured in place. A test cut has been made with each saw to verify laser setup. If your saw becomes misaligned or you desire additional precision, this guide is intended to assist you in fine tuning your laser miter saw.

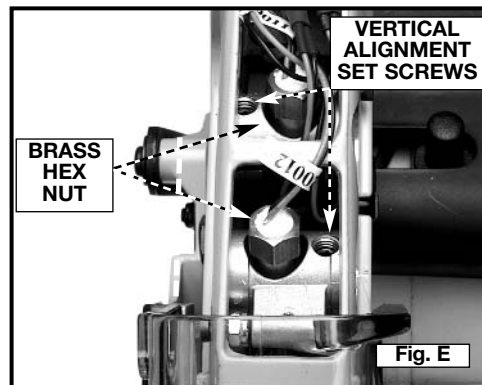
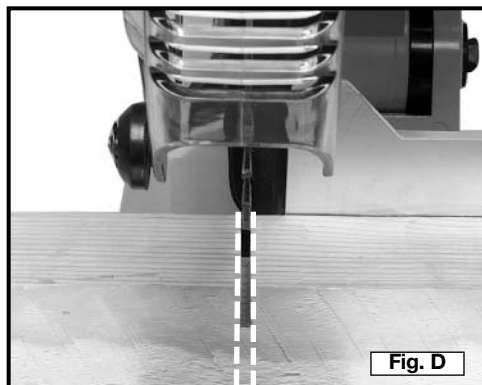
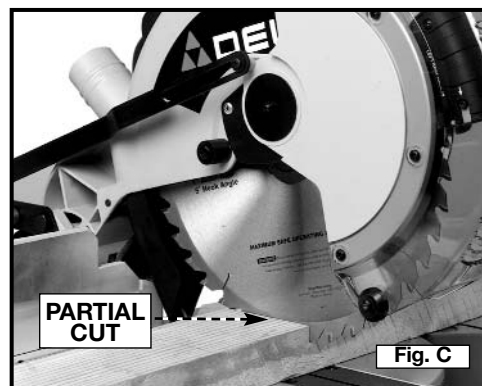
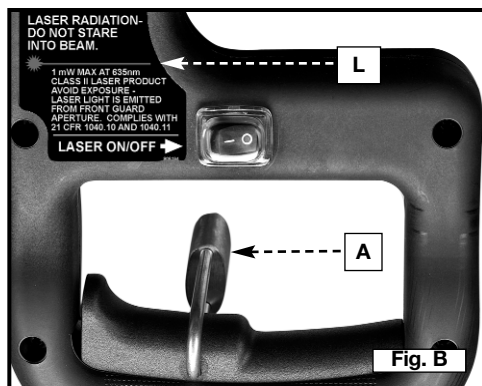
### HOW TO CHECK LASER ALIGNMENT

Make sure the saw is set to 0 degrees, miter and bevel, and clamp a 2"x 6" board on the saw. Create a partial test cut in the workpiece (Fig. C). Turn the laser "ON/OFF" switch (Fig. B) to the "ON" position. Leave the workpiece clamped in place for the remainder of the adjustment.

**CAUTION** ⚠ Observe the laser CAUTION label (L) Fig. B.

**WARNING** ⚠ Place a padlock (A) Fig. B (with 3/16" shackle) through the hole in the trigger switch and lock to prevent accidental motor startup. This padlock **MUST** remain in place during the adjustment procedure.

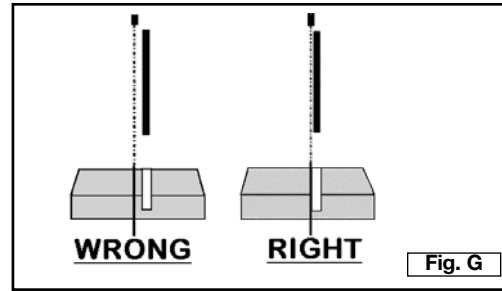
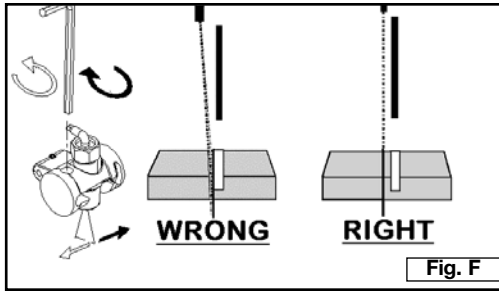
The laser lines are properly positioned when the beams of light fall on the edge of the cut created by the blade (Fig. D).



### TO CHECK FOR ROTATIONAL ALIGNMENT

The rotation of the lines is set parallel at the factory and permanently secured. No user adjustment is available for the rotational alignment. Never twist the brass hex nuts in Fig. E.

## TO CHECK FOR VERTICAL ALIGNMENT



1. The vertical alignment is set correctly when the lines do not move horizontally (sideways) as the saw head is raised and lowered. If vertical alignment is correct, go to **“TO SET LEFT AND RIGHT KERF ADJUSTMENT”**.
2. To adjust, turn the left and right kerf adjustment screws one half turn clockwise. Take off the laser unit cover by removing the phillips screw on either side of the cover. (Fig. A).
3. Use the 1/8" hex wrench to turn the left or right vertical alignment set screws. If, as the saw head goes from a raised to a lowered position, the laser line moves horizontally away from the blade, turn the vertical alignment set screw clockwise to correct. If the laser line moves horizontally towards the blade, turn the vertical alignment set screw counter-clockwise. (Fig. F)
4. Reinstall the cover removed in **STEP 1**, and continue to **“TO SET LEFT AND RIGHT KERF ADJUSTMENT”**.

## TO SET LEFT and RIGHT KERF ADJUSTMENT

1. Use the 1/8" hex wrench to turn the left or right kerf adjustment screws and set the laser lines to either side of the test cut (Fig. G). To adjust the left line, turn the left kerf adjustment screw counter-clockwise to move the line toward the blade and clockwise to move the line away from the blade. To adjust the right line turn the right kerf adjustment screw counter-clockwise to move the line toward the blade and clockwise to move the line away from the blade. (Fig. H)

**CAUTION** **Observe the laser CAUTION label (L) Fig. H.**

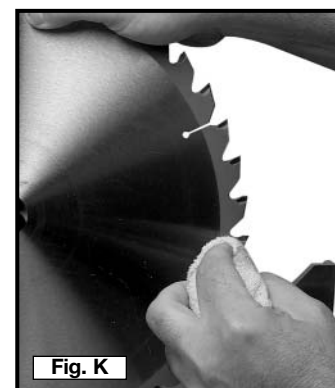
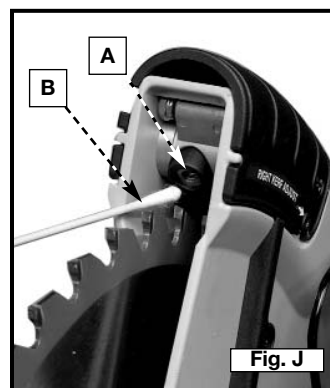
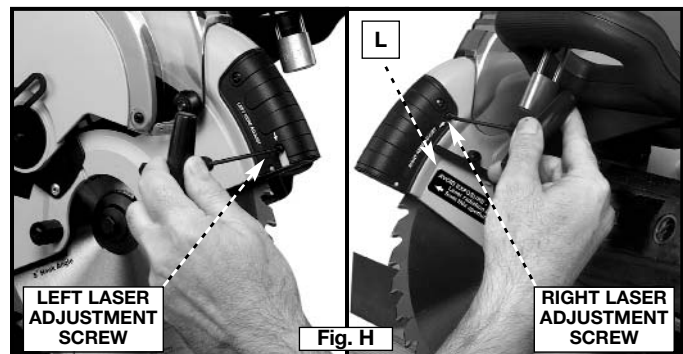
2. Remove the padlock and use the saw normally.

## DUAL LASERLOC™ MAINTENANCE

For best laser performance, perform the following maintenance regularly:

**WARNING** **DISCONNECT THE MACHINE FROM THE POWER SOURCE.**

1. Carefully clean sawdust from each laser lens (A) Fig. J with a cotton swab (B). Do not use solvents of any kind since they may damage the lens. Avoid touching sharp points of the saw blade with your hands or fingers. Dust build-up can block the laser and prevent it from accurately indicating the line-of-cut.
2. Remove the blade from the saw and clean pitch build-up from the blade (Fig. K) Pitch build-up can block the laser and prevent it from accurately indicating the line-of-cut.

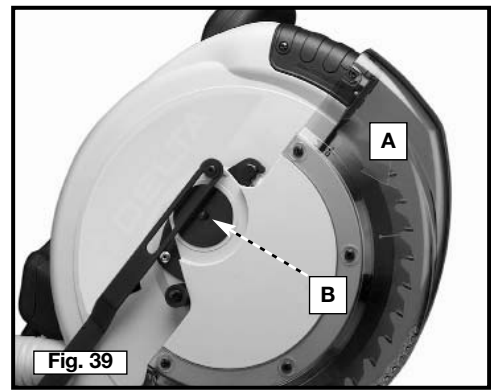




## ADJUSTING LOWER BLADE GUARD

After an extended period of use, the movable lower blade guard (A) Fig. 39 may not operate smoothly when the cuttinghead is lowered. You can correct this by adjusting the nut (B) until the lower blade guard (A) moves freely.

**⚠ WARNING** Do not over-tighten the nut as this can make the guard hard to move.



## TYPICAL OPERATIONS AND HELPFUL HINTS

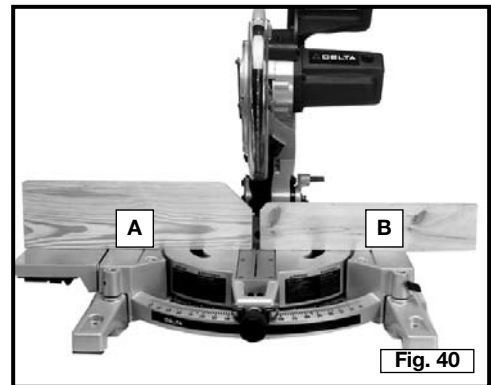
1. Before cutting, make certain that the cutting arm and table area are at their correct settings and firmly locked in place.
2. Before cutting, determine that the workpiece is the right size for the saw.
3. Place the workpiece on the table and hold or clamp it firmly against the fence.
4. **⚠ WARNING** If the size of the workpiece would cause your hand to be inside the table hazard zone (see section “**TABLE HAZARD ZONE**” FIG. 26), use a clamp to secure the workpiece.
5. For best results, cut at a slow, even cutting rate.
6. Never attempt any freehand cutting (wood that is not held firmly against the fence and table).

## AUXILIARY WOOD FENCE

**⚠ WARNING** When performing multiple or repetitive cut-off operations that result in small cut-off pieces (one inch or less), the saw blade can catch the cut-off pieces and project them out of the machine or into the blade guard and housing, possibly causing damage and/or injury. In order to limit the possibility of personal injury or blade guard damage, an auxiliary wood fence can be mounted to your saw.

Holes are provided in the fence to attach an auxiliary fence (A) and (B) Fig. 40. This auxiliary fence is constructed of straight wood approximately 1/2” thick by 3” high by 16 inches long as shown at (B); and 1/2” thick by 5” high by 17” long (A) Fig. 40.

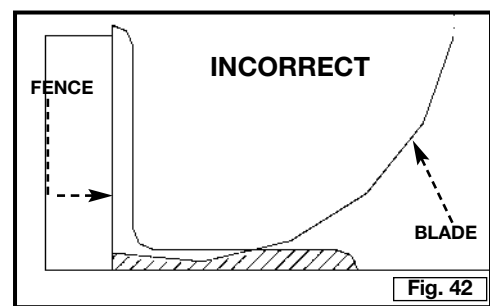
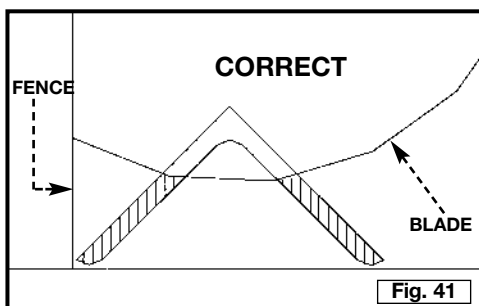
**NOTE:** The auxiliary fence (A) is used **only** with the saw blade in the 0° bevel position (90°) to the table. The auxiliary fence must be removed for all bevel cuts (blade tilted).



## CUTTING ALUMINUM

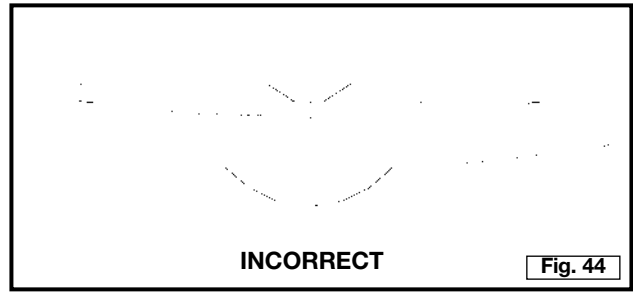
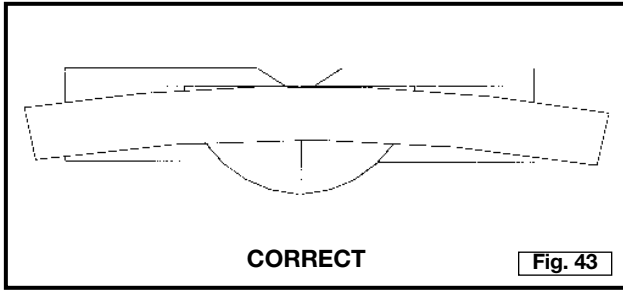
Aluminum extrusions (aluminum screens and storm windows) can easily be cut with your miter saw. When cutting aluminum extrusions, or other sections that can be cut with a saw blade and are within the capacity of the machine, position the material so that the blade is cutting through the smallest cross-section (Fig. 41). The wrong way to cut aluminum angles is illustrated in Fig. 42). Be sure to apply a stick wax (similar to Johnson’s stick wax #140) to the blade before cutting any aluminum stock. This stick wax is available at most industrial mill supply houses. The stick wax provides proper lubrication and keeps chips from adhering to the blade.

**⚠ WARNING** Never apply lubricant to the blade while the blade is running.



## CUTTING BOWED MATERIAL

1. If the material is bowed, position it on the table as shown in Fig. 43.
2. If the material is positioned the wrong way (Fig. 44), the workpiece will pinch the blade near the completion of the cut.



One of the many features of the saw is the ease of cutting crown moulding. The following is an example of cutting both inside and outside corners on  $52^{\circ}/38^{\circ}$  wall angle crown moulding.

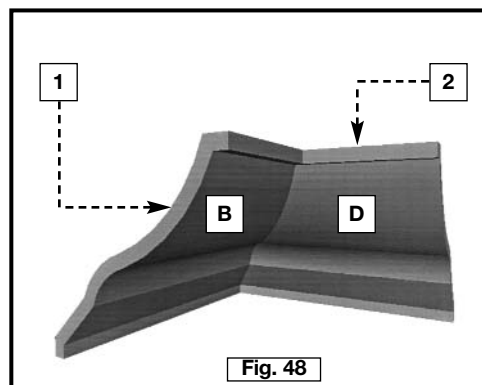
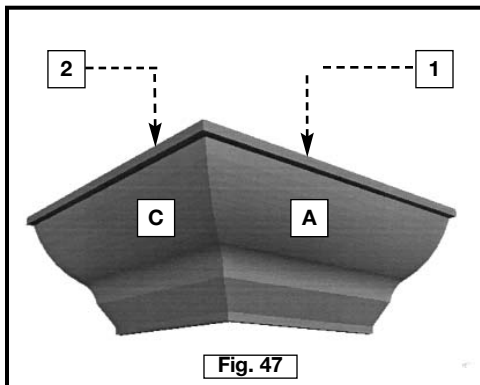
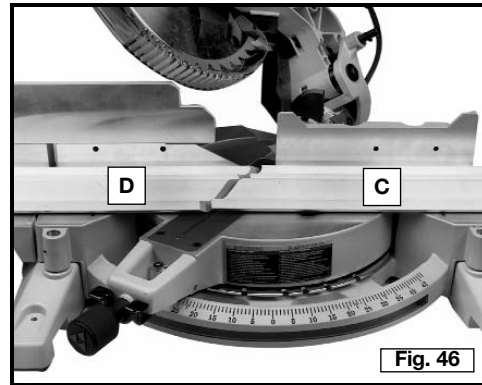
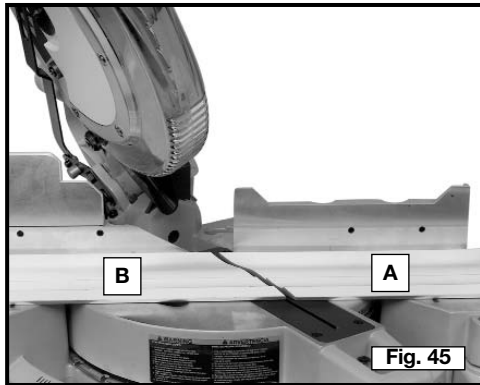
1. Move the table to the  $31.62^{\circ}$  right miter position and lock the table in position. **NOTE:** A positive stop is provided to find this angle quickly.
2. Tilt the saw blade to the  $33.86^{\circ}$  left bevel position and tighten bevel lock handle. **NOTE:** A triangle indicator is provided on the bevel scale to find this angle quickly.
3. Place the crown moulding on the table with the **CEILING EDGE** of the moulding against the fence, and make the cut, as shown in Fig. 45.

**NOTE:** The piece of crown moulding used for the outside corner will always be on the right hand side of the blade, as shown at (A) Fig. 45. The piece of crown moulding used for the inside corner will always be on the left hand side of the blade, as shown at (B) Fig. 45.

4. To make the matching halves of the inside and outside corners, rotate the table to the  $31.62^{\circ}$  left miter position.

**NOTE:** A positive stop is provided to find this angle quickly. The saw blade is already tilted to the  $33.86^{\circ}$  bevel position from the previous cut.

5. Place the crown moulding on the table with the **WALL EDGE** of the crown moulding against the fence and make the cut. Again, the piece of crown moulding used for the outside corner will always be on the right side of the blade, as shown at (C) Fig. 46. The piece of crown moulding used for the inside corner will always be on the left side of the blade, as shown at (D) Fig. 46.
6. Fig. 47 illustrates the two outside corner pieces; (1) being the piece cut at (A) Fig. 45 and (2) being the piece cut at (C) Fig. 46.
7. Fig. 48 illustrates the two inside corner pieces; (1) being the piece cut at (B) Fig. 45, and (2) being the piece cut at (D) Fig. 46.



## 45-45 CROWN MOULDING

**NOTE:** If you are cutting crown moulding that is **45°-45°**, follow the same procedure above, with the exception that the bevel position will always be at 30° and the miter position will be 35-1/4° to the right or left.

## OTHER ANGLES

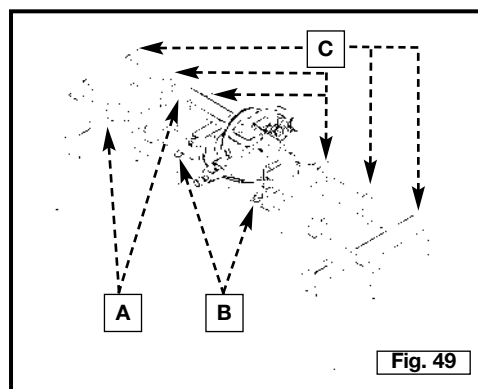
**NOTE:** The above instructions are assuming the angle between the walls is 90°. If you need help cutting crown moulding for walls set at angles other than 90°, see the instruction sheet **“CUTTING CROWN MOULDING”** on the Porter-Cable web site at [www.portercable.com](http://www.portercable.com).

## WORK SUPPORT EXTENSIONS

For support when cutting long pieces, a work support extension can be constructed. Fig. 49 illustrates the miter saw mounted to two standard 2 x 4's (A). Fasten the four mounting legs (two of which are shown at (B) Fig. 49) to the 2 x 4's, using four screws (not supplied) through the four holes in the mounting legs. The length of the 2 x 4's (A) can vary, depending on the kind of work that will need to be cut.

**NOTE: Ensure that the top of the support 2 x 4's are level with the miter saw table.**

This is critical because the distance from the top of the 2 x 4's (A) to the miter saw table varies from saw to saw. In most cases, standard 2 x 4's (C) can be used. If these are too high, cut the 2 x 4's (C) to provide this height or use other properly-sized wood



## TROUBLESHOOTING

For assistance with your tool, visit our website at [www.porter-cable.com](http://www.porter-cable.com) for a list of service centers or call the Porter-Cable help line at 1-800-487-8665.

# MAINTENANCE

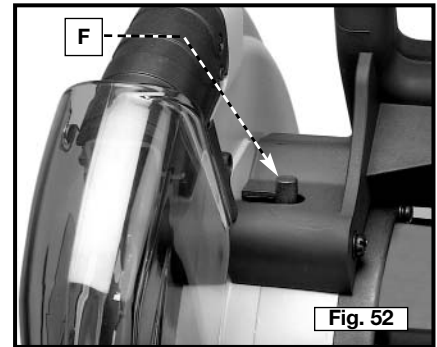
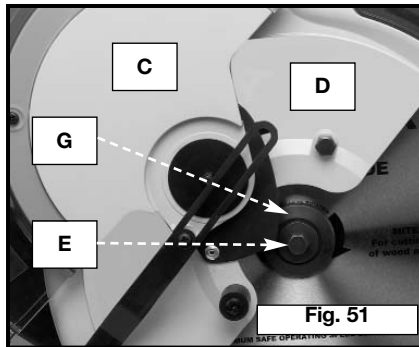
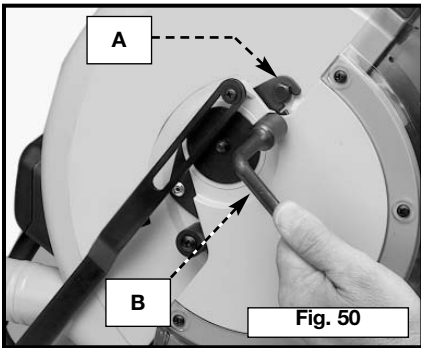
## CHANGING THE BLADE

**⚠ WARNING** Use only cross-cutting saw blades. **DO NOT** use blades with deep gullets as they can deflect and contact the guard

**⚠ WARNING** **DISCONNECT THE MACHINE FROM THE POWER SOURCE.**

**NOTE:** Use only 12" diameter blades with 1" arbor holes that are rated for 4000 RPM or higher.

1. Loosen the screw (A) Fig. 50 with the supplied wrench (B).
2. Rotate the arbor cover (C) Fig. 51, and lower the guard (D) Fig. 51 to the rear, exposing the arbor screw (E).
3. Remove the arbor screw (E) Fig. 51 by turning the screw clockwise with the supplied wrench, while at the same time, pressing in on the arbor lock (F) Fig. 52. Remove the outside blade flange (G) Fig. 51, and saw blade. **Do not remove the inside blade flange.**
4. Attach the new saw blade, **making certain that the teeth of the saw blade are pointing down at the front**, and attach outside blade flange (G) Fig. 51. Check to see that the flats on outside blade flange are engaged with the flats on the arbor shaft.
5. Thread the arbor screw (E) Fig. 51 into the saw arbor by turning the screw (E) counterclockwise as far as possible by hand. Tighten the arbor screw (E) with the supplied wrench while at the same time pressing in on arbor lock (F) Fig. 52.
6. Rotate the arbor cover (C) Fig. 51, and lower the guard (D) to the front. Tighten the screw (A) that was loosened in **STEP 3**.



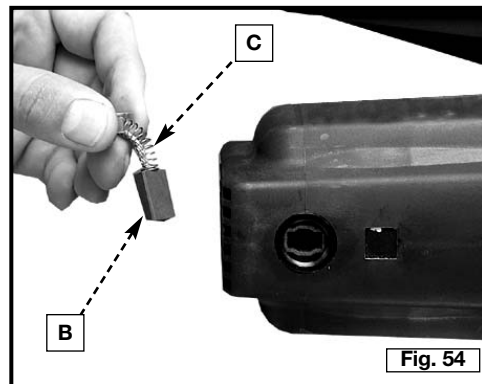
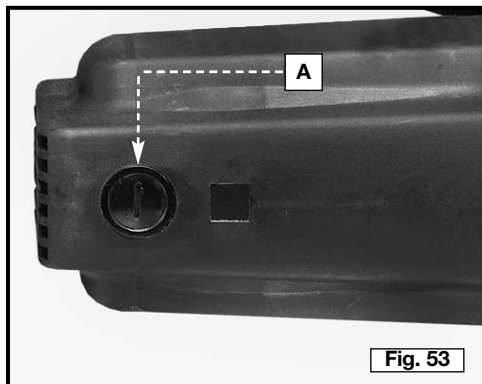
## BRUSH INSPECTION AND REPLACEMENT

**⚠ WARNING** **BEFORE INSPECTING OR REMOVING BRUSHES, DISCONNECT THE MACHINE FROM THE POWER SOURCE.**

Brush life varies, depends on the load on the motor. Check the brushes after the first 50 hours of use of a new machine, or after a new set of brushes has been installed.

After the first check, examine them after about 10 hours of use, until replacement is necessary.

The brush holders (A) Fig. 53, are located on the motor housing opposite each other. Fig. 54, illustrates one of the brushes removed for inspection. When the carbon on either brush (B) is worn to 3/16" in length, or if either spring or shunt wire (C) is burned or damaged in any way, replace both brushes. If the brushes are found serviceable after removing, reinstall them in the same position.



## KEEP TOOL CLEAN

Periodically blow out all air passages with dry compressed air. All plastic parts should be cleaned with a soft damp cloth. NEVER use solvents to clean plastic parts. They could possibly dissolve or otherwise damage the material.

**⚠ WARNING** Wear ANSI Z87.1 safety glasses while using compressed air.

## FAILURE TO START

Should your tool fail to start, check to make sure the prongs on the cord plug are making good contact in the outlet. Also, check for blown fuses or open circuit breakers in the line.

## LUBRICATION

This tool has been lubricated with a sufficient amount of high grade lubricant for the life of the unit under normal operating conditions. No further lubrication is necessary.

# SERVICE

## REPLACEMENT PARTS

When servicing use only identical replacement parts.

## SERVICE AND REPAIRS

All quality tools will eventually require servicing or replacement of parts due to wear from normal use. These operations, including brush inspection and replacement, should ONLY be performed by either an AUTHORIZED PORTER-CABLE SERVICE STATION or a PORTER-CABLE•DELTA FACTORY SERVICE CENTER. All repairs made by these agencies are fully guaranteed against defective material and workmanship. We cannot guarantee repairs made or attempted by anyone other than these agencies.

Should you have any questions about your tool, feel free to write us at any time. In any communications, please give all information shown on the nameplate of your tool (model number, type, serial number, etc.).

# ACCESSORIES

A complete line of accessories is available from your Porter-Cable•Delta Supplier, Porter-Cable•Delta Factory Service Centers, and Porter-Cable Authorized Service Stations. Please visit our Web Site [www.porter-cable.com](http://www.porter-cable.com) for a catalog or for the name of your nearest supplier.

**⚠ WARNING** Since accessories other than those offered by Porter-Cable•Delta have not been tested with this product, use of such accessories could be hazardous. For safest operation, only Porter-Cable•Delta recommended accessories should be used with this product.

# WARRANTY

## PORTER-CABLE LIMITED ONE YEAR WARRANTY

Porter-Cable warrants its Professional Power Tools for a period of one year from the date of original purchase. We will repair or replace at our option, any part or parts of the product and accessories covered under this warranty which, after examination, proves to be defective in workmanship or material during the warranty period. For repair or replacement return the complete tool or accessory, transportation prepaid, to your nearest Porter-Cable Service Center or Authorized Service Station. Proof of purchase may be required. This warranty does not apply to repair or replacement required due to misuse, abuse, normal wear and tear or repairs attempted or made by other than our Service Centers or Authorized Service Stations.

ANY IMPLIED WARRANTY, INCLUDING THE IMPLIED WARRANTIES OF MERCHANTABILITY AND FITNESS FOR A PARTICULAR PURPOSE, WILL LAST ONLY FOR ONE (1) YEAR FROM THE DATE OF PURCHASE.

To obtain information on warranty performance please write to: PORTER-CABLE CORPORATION, 4825 Highway 45 North, Jackson, Tennessee 38305; Attention: Product Service. THE FOREGOING OBLIGATION IS PORTER-CABLE'S SOLE LIABILITY UNDER THIS OR ANY IMPLIED WARRANTY AND UNDER NO CIRCUMSTANCES SHALL PORTER-CABLE BE LIABLE FOR ANY INCIDENTAL OR CONSEQUENTIAL DAMAGES. Some states do not allow limitations on how long an implied warranty lasts or the exclusion or limitation of incidental or consequential damages, so the above limitation or exclusion may not apply to you.

This warranty gives you specific legal rights and you may also have other legal rights which vary from state to state.

## PORTER-CABLE • DELTA SERVICE CENTERS (CENTROS DE SERVICIO DE PORTER-CABLE • DELTA)

Parts and Repair Service for Porter-Cable • Delta Machinery are Available at These Locations  
(Obtenga Refaccion de Partes o Servicio para su Herramienta en los Siguientes Centros de Porter-Cable • Delta)

### ARIZONA

Tempe 85282 (Phoenix)  
2400 West Southern Avenue  
Suite 105  
Phone: (602) 437-1200  
Fax: (602) 437-2200

### CALIFORNIA

Ontario 91761 (Los Angeles)  
3949A East Guasti Road  
Phone: (909) 390-5555  
Fax: (909) 390-5554

San Diego 92111  
7638 Clairemnot Blvd.  
Phone: (858) 277-9595  
Fax: (858) 277-9696

San Leandro 94577 (Oakland)  
3039 Teagarden Street  
Phone: (510) 357-9762  
Fax: (510) 357-7939

### COLORADO

Arvada 80003 (Denver)  
8175 Sheridan Blvd., Unit S  
Phone: (303) 487-1809  
Fax: (303) 487-1868

### FLORIDA

Davie 33314 (Miami)  
4343 South State Rd. 7 (441)  
Unit #107  
Phone: (954) 321-6635  
Fax: (954) 321-6638

Tampa 33609  
4538 W. Kennedy Boulevard  
Phone: (813) 877-9585  
Fax: (813) 289-7948

### GEORGIA

Forest Park 30297 (Atlanta)  
5442 Frontage Road,  
Suite 112  
Phone: (404) 608-0006  
Fax: (404) 608-1123

### ILLINOIS

Addison 60101 (Chicago)  
400 South Rohlwing Rd.  
Phone: (630) 424-8805  
Fax: (630) 424-8895

Woodridge 60517 (Chicago)  
2033 West 75th Street  
Phone: (630) 910-9200  
Fax: (630) 910-0360

### MARYLAND

Elkridge 21075 (Baltimore)  
7397-102 Washington Blvd.  
Phone: (410) 799-9394  
Fax: (410) 799-9398

### MASSACHUSETTS

Franklin 02038 (Boston)  
Franklin Industrial Park  
101E Constitution Blvd.  
Phone: (508) 520-8802  
Fax: (508) 528-8089

### MICHIGAN

Madison Heights 48071 (Detroit)  
30475 Stephenson Highway  
Phone: (248) 597-5000  
Fax: (248) 597-5004

### MINNESOTA

Minneapolis 55429  
5522 Lakeland Avenue North  
Phone: (763) 561-9080  
Fax: (763) 561-0653

### MISSOURI

North Kansas City 64116  
1141 Swift Avenue  
Phone: (816) 221-2070  
Fax: (816) 221-2897

St. Louis 63119  
7574 Watson Road  
Phone: (314) 968-8950  
Fax: (314) 968-2790

### NEW YORK

Flushing 11365-1595 (N.Y.C.)  
175-25 Horace Harding Expwy.  
Phone: (718) 225-2040  
Fax: (718) 423-9619

### NORTH CAROLINA

Charlotte 28270  
9129 Monroe Road, Suite 115  
Phone: (704) 841-1176  
Fax: (704) 708-4625

### OHIO

Columbus 43214  
4560 Indianola Avenue  
Phone: (614) 263-0929  
Fax: (614) 263-1238

Cleveland 44125  
8001 Sweet Valley Drive  
Unit #19  
Phone: (216) 447-9030  
Fax: (216) 447-3097

### OREGON

Portland 97230  
4916 NE 122 nd Ave.  
Phone: (503) 252-0107  
Fax: (503) 252-2123

### PENNSYLVANIA

Willow Grove 19090  
(Philadelphia)  
520 North York Road  
Phone: (215) 658-1430  
Fax: (215) 658-1433

### TEXAS

Carrollton 75006 (Dallas)  
1300 Interstate 35 N, Suite 112  
Phone: (972) 446-2996  
Fax: (972) 446-8157

Houston 77043  
4321 Sam Houston Parkway,  
West  
Suite 180  
Phone: (713) 983-9910  
Fax: (713) 983-6645

### WASHINGTON

Auburn 98001(Seattle)  
3320 West Valley HWY, North  
Building D, Suite 111  
Phone: (253) 333-8353  
Fax: (253) 333-9613

Authorized Service Stations are located in many large cities. Telephone **800-438-2486** or **731-541-6042** for assistance locating one. Parts and accessories for Porter-Cable•Delta products should be obtained by contacting any Porter-Cable•Delta Distributor, Authorized Service Center, or Porter-Cable•Delta Factory Service Center. If you do not have access to any of these, call **800-223-7278** and you will be directed to the nearest Porter-Cable•Delta Factory Service Center. Las Estaciones de Servicio Autorizadas están ubicadas en muchas grandes ciudades. Llame al **800-438-2486** ó al **731-541-6042** para obtener asistencia a fin de localizar una. Las piezas y los accesorios para los productos Porter-Cable•Delta deben obtenerse poniéndose en contacto con cualquier distribuidor Porter-Cable•Delta, Centro de Servicio Autorizado o Centro de Servicio de Fábrica Porter-Cable•Delta. Si no tiene acceso a ninguna de estas opciones, llame al **800-223-7278** y le dirigirán al Centro de Servicio de Fábrica Porter-Cable•Delta más cercano.

## CANADIAN PORTER-CABLE • DELTA SERVICE CENTERS

### ALBERTA

Bay 6, 2520-23rd St. N.E.  
Calgary, Alberta  
T2E 8L2  
Phone: (403) 735-6166  
Fax: (403) 735-6144

### BRITISH COLUMBIA

8520 Baxter Place  
Burnaby, B.C.  
V5A 4T8  
Phone: (604) 420-0102  
Fax: (604) 420-3522

### MANITOBA

1699 Dublin Avenue  
Winnipeg, Manitoba  
R3H 0H2  
Phone: (204) 633-9259  
Fax: (204) 632-1976

### ONTARIO

505 Southgate Drive  
Guelph, Ontario  
N1H 6M7  
Phone: (519) 767-4132  
Fax: (519) 767-4131

### QUÉBEC

1515 ave.  
St-Jean Baptiste, Suite 160  
Québec, Québec  
G2E 5E2  
Phone: (418) 877-7112  
Fax: (418) 877-7123

1447, Begin  
St-Laurent, (Montréal),  
Québec  
H4R 1V8  
Phone: (514) 336-8772  
Fax: (514) 336-3505

The following are trademarks of PORTER-CABLE • DELTA (Las siguientes son marcas registradas de PORTER-CABLE • DELTA S.A.) (Les marques suivantes sont des marques de fabricant de la PORTER-CABLE • DELTA): Auto-Set®, BAMMER®, B.O.S.S.®, Builder's Saw®, Contractor's Saw®, Contractor's Saw II™, Delta®, DELTACRAFT®, DELTAGRAM™, Delta Series 2000™, DURATRAC™, Emc2™, FLEX®, Flying Chips™, FRAME SAW®, Grip Vac™, Homecraft®, INNOVATION THAT WORKS®, Jet-Lock®, JETSTREAM®, kickstand®, LASERLOC®, MICRO-SET®, Micro-Set®, MIDI LATHE®, MORTEN™, NETWORK™, OMNIJIG®, POCKET CUTTER®, PORTA-BAND®, PORTA-PLANE®, PORTER-CABLE®(design), PORTER-CABLE®PROFESSIONAL POWER TOOLS, PORTER-CABLE REDEFINING PERFORMANCE™, Posi-Matic®, Q-3®(design), QUICKSAND®(design), QUICKSET™, QUICKSET II®, QUICKSET PLUS™, RIPTIDE™(design), SAFE GUARD II®, SAFE-LOC®, Sanding Center®, SANDTRAP®(design), SAW BOSS®, Sawbuck™, Sidekick®, SPEED-KICK®, SPEED-BLOC®, SPEEDMATIC®, SPEEDTRONIC®, STAIR EASE®, The American Woodshop®(design), The Lumber Company®(design), THE PROFESSIONAL EDGE®, THE PROFESSIONAL SELECT®, THIN-LINE™, TIGER®, TIGER CUB®, TIGER SAW®, TORQBUSTER®, TORQ-BUSTER®, TRU-MATCH™, TWIN-LITE®, UNIGUARD®, Unifence®, UNIFEEDER™, Unihead®, Uniplane™, Unirip®, Unisaw®, Univise®, Versa-Feeder®, VERSA-PLANE®, WHISPER SERIES®, WOODWORKER'S CHOICE™.

Trademarks noted with ™ and ® are registered in the United States Patent and Trademark Office and may also be registered in other countries. Las Marcas Registradas con el signo de ™ y ® son registradas por la Oficina de Registros y Patentes de los Estados Unidos y también pueden estar registradas en otros países.