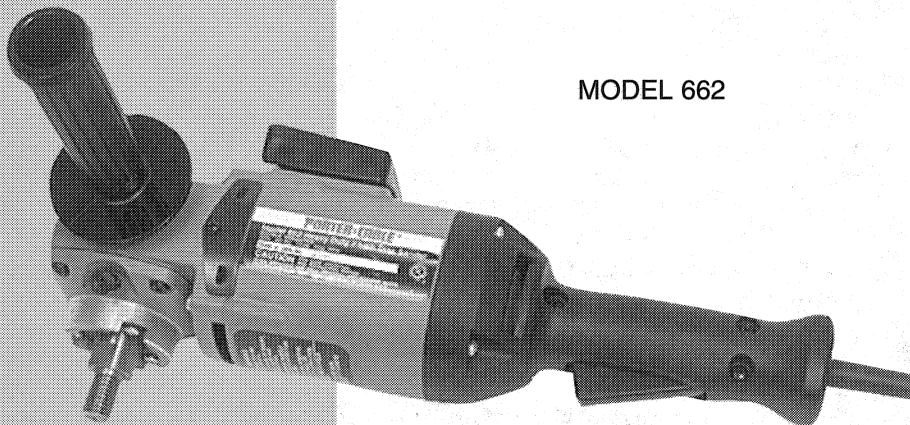


**Instruction  
manual**

**Double Insulated  
Disc Sander/Grinder**

MODEL 662



To learn more about Porter-Cable  
visit our website at:

<http://www.porter-cable.com>

**PORTER-CABLE**  
PROFESSIONAL POWER TOOLS

**IMPORTANT**

*Please make certain that the person who is to use this equipment carefully reads and understands these instructions before starting operations.*

The Model and Serial No. plate is located on the main housing of the tool. Record these numbers in the spaces below and retain for future reference.

Model No. \_\_\_\_\_

Type \_\_\_\_\_

Serial No. \_\_\_\_\_

Part No. 887787-795

# IMPORTANT SAFETY INSTRUCTIONS

**WARNING:** When using electric tools, basic safety precautions should always be followed to reduce the risk of fire, electric shock and personal injury, including the following:

READ AND FOLLOW ALL INSTRUCTIONS.

There are certain applications for which this tool was designed. Porter-Cable strongly recommends that this tool NOT be modified and/or used for any application other than for which it was designed. If you have any questions relative to its application DO NOT use the tool until you have written Porter-Cable and we have advised you.

Technical Service Manager  
Porter-Cable Corporation  
4825 Highway 45 North  
P. O. Box 2468  
Jackson, TN 38302-2468

**POLARIZED PLUGS:** To reduce the risk of electric shock, this equipment has a polarized plug (one blade is wider than the other). This plug will fit in a polarized outlet only one way. If the plug does not fit fully in the outlet, reverse the plug. If it still does not fit, contact a qualified electrician to install the proper outlet. Do not change the plug in any way.

- 1. KEEP WORK AREA CLEAN.** Cluttered areas and benches invite injuries.
- 2. AVOID DANGEROUS ENVIRONMENT.** Don't expose power tools to rain. Don't use power tools in damp or wet locations. Keep area well lit. Avoid chemical or corrosive environment. Do not use tool in presence of flammable liquids or gases.
- 3. GUARD AGAINST ELECTRIC SHOCK.** Prevent body contact with grounded surfaces. For example: pipes, radiators, ranges, refrigerator enclosures.
- 4. KEEP CHILDREN AWAY.** Do not let visitors contact tool or extension cord. All visitors should be kept away from work area.
- 5. STORE IDLE TOOLS.** When not in use, tools should be stored in dry, and high or locked-up place – out of reach of children.
- 6. DON'T FORCE TOOL.** It will do the job better and safer at the rate for which it was intended.
- 7. USE RIGHT TOOL.** Don't force small tool or attachment to do the job of a heavy duty tool. Don't use tool for purpose not intended – for example – do not use a circular saw for cutting tree limbs or logs.
- 8. DRESS PROPERLY.** Do not wear loose clothing or jewelry. Loose clothing, draw strings and jewelry can be caught in moving parts. Rubber gloves and non-skid footwear are recommended when working outdoors. Wear protective hair covering to contain long hair.
- 9. USE SAFETY GLASSES.** Wear safety glasses or goggles while operating power tools. Also face or dust mask if operation creates dust. All persons in the area where power tools are being operated should also wear safety glasses and face or dust mask.
- 10. DON'T ABUSE CORD.** Never carry tool by cord or yank it to disconnect from receptacle. Keep cord from heat, oil, and sharp edges. Have damaged or worn power cord and strain reliever replaced immediately. DO NOT ATTEMPT TO REPAIR POWER CORD.

11. **SECURE WORK.** Use clamps or a vise to hold work. It's safer than using your hand and it frees both hands to operate tool.
12. **DON'T OVERREACH.** Keep proper footing and balance at all times.
13. **MAINTAIN TOOLS WITH CARE.** Keep tools sharp and clean for better and safer performance. Follow instructions for lubricating and changing accessories. Inspect tool cords periodically and if damaged, have repaired by authorized service facility. Inspect extension cords periodically and replace if damaged. Have all worn, broken or lost parts replaced immediately. Keep handles dry, clean and free from oil and grease.
14. **DISCONNECT TOOLS** when not in use, before servicing, and when changing accessories such as blades, bits, cutters, etc.
15. **REMOVE ADJUSTING KEYS AND WRENCHES.** Form habit of checking to see that keys and adjusting wrenches are removed from the tool before turning it on.
16. **AVOID UNINTENTIONAL STARTING.** Do not carry a plugged-in tool with finger on switch. Be sure switch is off when plugging in. Keep hands, body and clothing clear of blades, bits, cutters, etc. when plugging in the tool.
17. **OUTDOOR USE EXTENSION CORDS.** When tool is used outdoors, use only extension cords marked "Suitable for use with outdoor appliances – store indoors when not in use."
18. **STAY ALERT.** Watch what you are doing. Use common sense. Do not operate tool when you are tired or while under the influence of medication, alcohol or drugs.
19. **CHECK DAMAGED PARTS.** Before further use of the tool, a guard or other part that is damaged should be carefully checked to determine that it will operate properly and perform its intended function. Check for alignment of moving parts, binding of moving parts, breakage of parts, mounting, and any other conditions that may affect its operation. A guard or other part that is damaged should be properly repaired or replaced by an authorized service center unless otherwise indicated elsewhere in this instruction manual. Have defective switches replaced by authorized service center. Do not use tool if switch does not turn it on and off.
20. **WEAR EAR PROTECTION** to safeguard against possible hearing loss.

SAVE THESE INSTRUCTIONS

#### **ADDITIONAL SAFETY RULES FOR DISC SANDER/GRINDER**

1. **NEVER** use the spindle lock pin to stop the spindle from rotating.
2. **ALWAYS** use guards with those accessories that require such equipment.
3. **ALWAYS** position the guard so that flying chips or pieces of a wheel that might accidentally break will be deflected away from the operator.
4. **MAKE SURE** that grinding wheels, discs, pads, etc., are in good condition, free of cracks or chips and that **RATED SPEED EXCEEDS THAT INDICATED ON THE TOOL SPECIFICATION PLATE.**
5. **USE PROPER SAFETY EQUIPMENT.** Wear safety goggles to protect your eyes and wear a protective mask to minimize breathing in the fine dust created while sanding. **NOTE:** Some wood contains preservatives which can be toxic. Take extra care to prevent inhalation and skin contact when working with these materials.

**6. SANDING OF LEAD BASED-PAINT IS NOT RECOMMENDED.** Lead-based paint should only be removed by a professional.

## **ADDITIONAL SAFETY RULES FOR PAINT REMOVAL**

**WARNING:** Extreme care should be taken when removing paint. The peelings, residue, and vapors of paint may contain lead, which is poisonous. Exposure to even low levels of lead can cause irreversible brain and nervous system damage; young and unborn children are particularly vulnerable.

Before beginning any paint removal process you should determine whether the paint you are removing contains lead. This can be done by your local health department or by a professional who uses a paint analyzer to check for lead.

**LEAD-BASED PAINT SHOULD ONLY BE REMOVED BY A PROFESSIONAL.**

Persons removing paint should follow these guidelines:

- 1. KEEP THE WORK AREA WELL VENTILATED.** Open the windows and put an exhaust fan in one of them. Be sure the fan is moving air from inside to outside.
- 2. REMOVE OR COVER** any carpets, rugs, furniture, clothing, cooking utensils and air ducts.
- 3. PLACE DROP CLOTHS** in the work area to catch any paint chips or peelings. Wear protective clothing such as extra work shirts, overalls and hats.
- 4. WORK IN ONE ROOM AT A TIME.** Furnishings should be removed or placed in the center of the room and covered. Work areas should be sealed off from the rest of the dwelling by sealing doorways with drop cloths.
- 5. CHILDREN, PREGNANT OR POTENTIALLY PREGNANT** women and nursing mothers should not be present in the work area until the work is done and all cleanup is complete.
- 6. WEAR A DUST RESPIRATOR** or a dual filter (dust and fume) respirator mask which has been approved by the Occupational Safety and Health Administration (OSHA), the National Institute of Safety and Health (NIOSH), or the United States Bureau of Mines. These masks and replaceable filters are readily available at major hardware stores. Be sure the mask fits. Beards and facial hair may keep the masks from sealing properly. Change filters often. **DISPOSABLE PAPER MASKS ARE NOT ADEQUATE.**
- 7. KEEP FOOD AND DRINK** out of the work area. Wash hands, arms, and face and rinse mouth before eating or drinking. Do not smoke or chew gum or tobacco in the work area.
- 8. CLEAN UP ALL REMOVED PAINT** and dust by wet mopping the floors. Use a wet cloth to clean all walls, sills and any other surfaces where paint or dust is clinging. **DO NOT SWEEP, DRY DUST OR VACUUM.** Use a high phosphate detergent or trisodium (TSP) to wash and mop areas.
- 9. AT THE END OF EACH WORK SESSION** put the paint chips and debris in a double plastic bag, close it with tape or twist ties and dispose of properly.
- 10. REMOVE PROTECTIVE CLOTHING** and work shoes in the work area to avoid carrying dust into the rest of the dwelling. Wash work clothes separately. Wipe shoes off with a wet rag that is then washed with the work clothes. Wash hair and body thoroughly with soap and water.

## REPLACEMENT PARTS

When servicing use only identical replacement parts.

## MOTOR

Many Porter-Cable tools will operate on either D.C., or single phase 25 to 60 cycle A.C. current and voltage within plus or minus 5 percent of that shown on the specification plate on the tool. Several models, however, are designed for A.C. current only. Refer to the specification plate on your tool for proper voltage and current rating.

**CAUTION:** Do not operate your tool on a current on which the voltage is not within correct limits. Do not operate tools rated A.C. only on D.C. current. To do so may seriously damage the tool.

## EXTENSION CORD SELECTION

If an extension cord is used, make sure the conductor size is large enough to prevent excessive voltage drop which will cause loss of power and possible motor damage. A table of recommended extension cord sizes will be found in this section. This table is based on limiting line voltage drop to 5 volts (10 volts for 230 volts) at 150% of rated amperes.

If an extension cord is to be used outdoors it must be marked with the suffix W-A following the cord type designation. For example – SJTW-A to indicate it is acceptable for outdoor use.

RECOMMENDED EXTENSION CORD SIZES FOR USE WITH PORTABLE ELECTRIC TOOLS

		Length of Cord in Feet									
		115V	25 Ft.	50 Ft.	100 Ft.	150 Ft.	200 Ft.	250 Ft.	300 Ft.	400 Ft.	500 Ft.
		230V	50 Ft.	100 Ft.	200 Ft.	300 Ft.	400 Ft.	500 Ft.	600 Ft.	800 Ft.	1000 Ft.
Nameplate Ampere Rating	0-2	18	18	18	16	16	14	14	12	12	
	2-3	18	18	16	14	14	12	12	10	10	
	3-4	18	18	16	14	12	12	10	10	8	
	4-5	18	18	14	12	12	10	10	8	8	
	5-6	18	16	14	12	10	10	8	8	6	
	6-8	18	16	12	10	10	8	6	6	6	
	8-10	18	14	12	10	8	8	6	6	4	
	10-12	16	14	10	8	8	6	6	4	4	
	12-14	16	12	10	8	6	6	6	4	2	
	14-16	16	12	10	8	6	6	4	4	2	
	16-18	14	12	8	8	6	4	4	2	2	
18-20	14	12	8	6	6	4	4	2	2		

## OPERATING INSTRUCTIONS

### FOREWORD

Your Porter-Cable Disc Sander/Grinder is designed for numerous sanding and grinding operations when used with appropriate recommended accessories.

Typical applications are smoothing rough boards, removing paint and varnish, auto body sanding, smoothing welding beads, removing gates and flash from castings, removing rust, leveling form seams from concrete, and the like.

## TO START AND STOP

1. Make sure power circuit voltage is the same as that shown on the specification plate. Connect tool to power circuit.
2. Squeeze switch trigger (A) Fig. 1, to start the motor. Release trigger to stop motor.

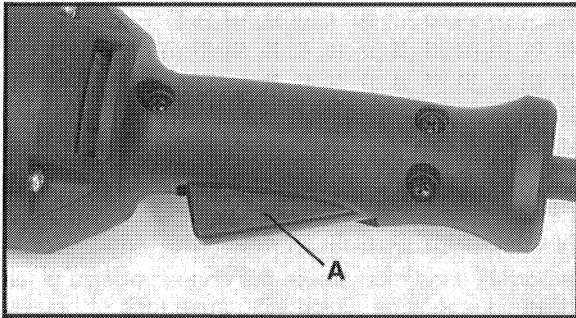


Fig. 1

## THE DISC SANDER

### TO INSTALL SANDING DISC

Your Porter-Cable tool has, as accessory equipment, a wrenchless type backup pad and locknut. No wrenches are required to install or remove sanding disc.

1. **CAUTION: DISCONNECT MACHINE FROM POWER SOURCE.**
2. Place washer (E) on spindle (F).
3. Depress spindle lock pin (G) and rotate backup pad (D) clockwise onto shaft (F) until it seats. Then rotate the flexible disc (C) onto shaft until it seats.
4. Place retaining nut (A) through hole in sanding disc (B) and rotate clockwise onto shaft until it seats. Normal operation of the sander will tighten the sanding disc.
5. To remove sanding disc, disconnect machine from power source, depress spindle lock pin (G) and rotate sanding disc (B) together with the flexible disc (C) counterclockwise and remove.

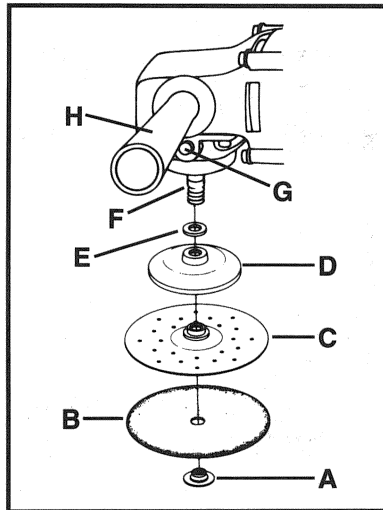


Fig. 2

### TO INSTALL AUXILIARY HANDLE

An auxiliary handle (H), Fig. 2, is furnished with your tool and may be installed on either side of the front housing. This handle **SHOULD BE USED AT ALL TIMES** to maintain complete control of the machine while sanding.

## USING A DISC SANDER

1. **CAUTION:** Secure work to prevent it from moving during the sanding operation. Friction between the sanding disc and work will try to spin work away from sander and may cause bodily injury.
2. **CAUTION:** WEAR SAFETY GLASSES AND DUST MASK.
3. Hold sander firmly by the rear and auxiliary handles, making sure sanding disc is clear of work and foreign objects. Start sander and lower at an angle so that approximately 1" to 1½" of the sanding disc contacts the work. See Fig. 3. Too great an angle may result in gouging or snagging the work, while too small an angle results in extreme difficulties in controlling the sander.

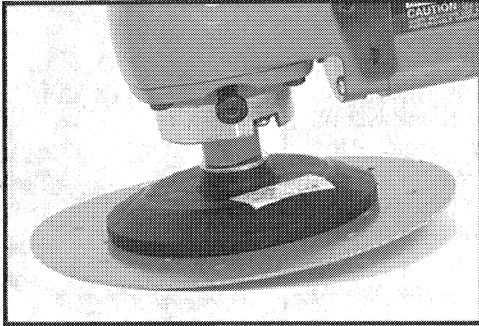


Fig. 3

4. Move sander in long sweeping overlapping strokes as you go back and forth. Do not move sander in a circular motion or stay in one spot too long as this will produce swirls and an uneven finish. The weight of the sander applies sufficient pressure for fast stock removal. Additional pressure will only slow the sander down and decrease removal of stock.
5. LIFT SANDER FROM WORK BEFORE TURNING OFF MOTOR.
6. Always be sure motor has stopped before setting sander down. A tool rest is provided on the top of the sander for resting the sander upside down when not in use.

## SANDING TIPS

For rough sanding and quick stock removal, use a coarse grit sanding disc. For a fine finish, use a medium grit disc, followed by a fine grit disc. Do not go directly from a coarse grit to a fine grit, as it is difficult to remove marks left by the coarse grit disc.

## THE GRINDER

### INSTALLING SAFETY GUARD (Catalog No. 54341)

1. **CAUTION:** DISCONNECT MACHINE FROM POWER SOURCE.
2. Rest machine on tool rest and rear handle.
3. Place safety guard collar onto the gear housing hub of the grinder (see Fig. 4).

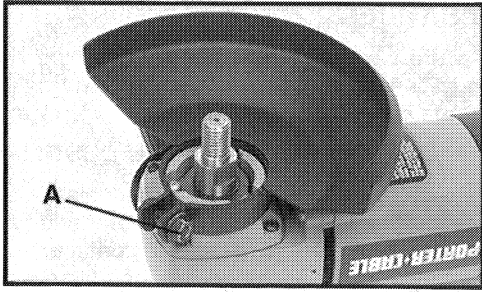


Fig. 4

4. Position guard so that flying chips or pieces of wheel that might accidentally break will be deflected away from the operator. Fig. 5 shows guard installed for use with depressed center grinding wheel.

5. Firmly tighten clamp nut (A) Fig. 4.

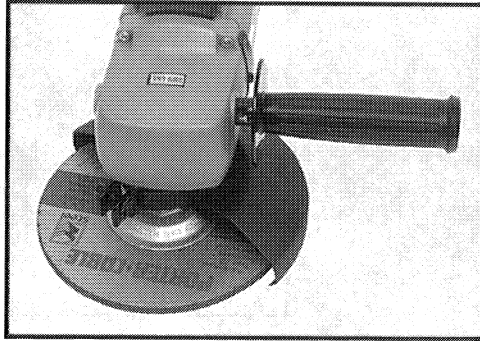


Fig. 5

### INSTALLING DEPRESSED CENTER GRINDING WHEEL

1. **CAUTION: DISCONNECT MACHINE FROM POWER SOURCE.**
2. Rest machine on tool rest and rear handle.
3. Assemble wheel guard assembly by following instructions listed under INSTALLING SAFETY GUARD (Catalog No. 54341).
4. Place hub of depressed center grinding wheel (self-mounting type), onto the grinder spindle shaft, and rotate clockwise to thread wheel onto spindle.
5. Tighten wheel by depressing the spindle lock pin (A) Fig. 6, and holding the machine with one hand, while rotating the wheel clockwise with the other hand. Hand-tighten firmly.
6. To remove wheel, reverse the foregoing procedure.

### SMOOTHING WELDING BEADS, CASTING GATES, CASTING FLASHES, ETC.

**CAUTION:** Always use safety guard with depressed center grinding wheel.

Use depressed center grinding wheel and safety guard (see Fig. 6). The guard shall be positioned so that flying chips or pieces of a wheel that might accidentally break will be deflected away from the operator. Install auxiliary handle in either side of the gear housing. Firmly grip the auxiliary and rear handles. Lift up rear handle so only the front sector of the grinding wheel contacts work before starting or stopping the motor. When the grinder is not being used, rest it on the tool rest and rear handle. For installation of the depressed center grinding wheel, see INSTALLING DEPRESSED CENTER GRINDING WHEEL.



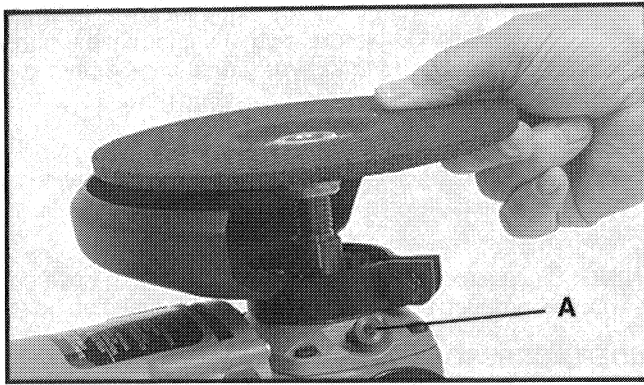


Fig. 6

## MAINTENANCE

### KEEP TOOL CLEAN

Periodically blow out all air passages with dry compressed air. All plastic parts should be cleaned with soft damp cloths. NEVER use solvents to clean plastic parts. They could possibly dissolve or otherwise damage the material.

**CAUTION:** Wear safety glasses while using compressed air.

### FAILURE TO START

Should your tool fail to start, check to make sure the prongs on the cord plug are making good contact in the outlet. Also, check for blown fuses or open circuit breakers in the line.

### BRUSH INSPECTION AND LUBRICATION

For your continued safety and electrical protection, brush inspection and replacement on this tool should ONLY be performed by an AUTHORIZED PORTER-CABLE SERVICE STATION or a PORTER-CABLE SERVICE CENTER.

At approximately 100 hours of use, take or send your tool to your nearest Authorized Porter-Cable Service Station to be thoroughly cleaned and inspected; worn parts replaced, when necessary; relubricated with fresh lubricant, if required; reassembled with new brushes; and performance tested.

Any loss of power before the above maintenance check may indicate the need for immediate servicing of your tool. DO NOT CONTINUE TO OPERATE TOOL UNDER THIS CONDITION. If proper operating voltage is present, return your tool to the service station for immediate service.

### SERVICE AND REPAIRS

All quality tools will eventually require servicing or replacement of parts due to wear from normal use. These operations, including brush inspection and replacement, should ONLY be performed by either an AUTHORIZED PORTER-CABLE SERVICE STATION or a PORTER-CABLE SERVICE CENTER. All repairs made by these agencies are fully guaranteed against defective material and workmanship. We cannot guarantee repairs made or attempted by anyone other than these agencies.

Should you have any questions about your tool, feel free to write us at any time. In any communications, please give all information shown on the nameplate of your tool (model number, type, serial number, etc.).

## ACCESSORIES

The testing of this tool has been accomplished with the following accessories ONLY. For safest operation, it is recommended that ONLY these accessories be used with this product.

**WARNING:** Since accessories other than those listed have not been tested with this product, use of such accessories could be hazardous.

### DISC SANDER ACCESSORIES

**No. 55741 – 7" Abrasive Backup Kit.** Includes pad, disc and nut.

**No. 55747 – Replacement Retaining Nut.**

**Industrial quality 7" Sanding Discs** as carried by your Porter-Cable distributor.

### GRINDER ACCESSORIES

**No. 54341 – 7" Wheel Guard Assembly** - Use with depressed center grinding wheels.

**No. 874951 – 7" Depressed Center Grinding Wheel** - available from Porter-Cable Service Centers.

**Industrial quality 7" Depressed Center Grinding Wheels** (self-mounting type), as carried by your Porter-Cable distributor.

**CAUTION:** (A) Appropriate guard must be used with all grinding wheels.  
(B) All grinding wheels must be rated for a safe speed of 5,000 rpm minimum.

## PORTER-CABLE LIMITED ONE YEAR WARRANTY

Porter-Cable warrants its Professional Power Tools for a period of one year from the date of original purchase. We will repair or replace at our option, any part or parts of the product and accessories covered under this warranty which, after examination, proves to be defective in workmanship or material during the warranty period. For repair or replacement return the complete tool or accessory, transportation prepaid, to your nearest Porter-Cable Service Center or Authorized Service Station as listed under "TOOLS-ELECTRIC" in the Yellow Pages of your telephone directory. Proof of purchase may be required. This warranty does not apply to repair or replacement required due to misuse, abuse, normal wear and tear or repairs attempted or made by other than our Service Centers or Authorized Service Stations.

ANY IMPLIED WARRANTY, INCLUDING THE IMPLIED WARRANTIES OF MERCHANTABILITY AND FITNESS FOR A PARTICULAR PURPOSE, WILL LAST ONLY FOR ONE (1) YEAR FROM THE DATE OF PURCHASE.

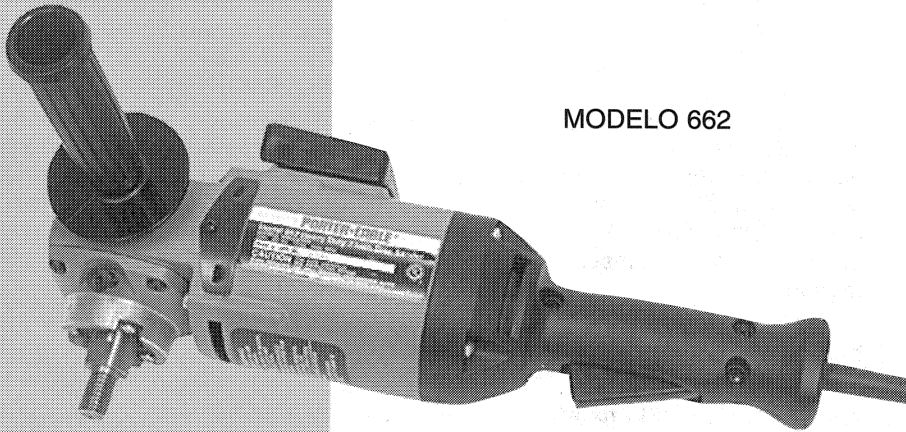
To obtain information on warranty performance please write to: PORTER-CABLE CORPORATION, 4825 Highway 45 North, P. O. Box 2468, Jackson, Tennessee 38302-2468; Attention: Product Service. THE FOREGOING OBLIGATION IS PORTER-CABLE'S SOLE LIABILITY UNDER THIS OR ANY IMPLIED WARRANTY AND UNDER NO CIRCUMSTANCES SHALL PORTER-CABLE BE LIABLE FOR ANY INCIDENTAL OR CONSEQUENTIAL DAMAGES. Some states do not allow limitations on how long an implied warranty lasts or the exclusion or limitation of incidental or consequential damages, so the above limitation or exclusion may not apply to you.

This warranty gives you specific legal rights and you may also have other legal rights which vary from state to state.

Manual de  
Instrucciones

Lijadora/Esmeriladora  
de Disco con  
Aislamiento Doble

MODELO 662



Para obtener más información  
sobre Porter-Cable,  
visite nuestro sitio web en:

<http://www.porter-cable.com>

**IMPORTANTE**

*Asegúrese de que la persona que va a usar  
esta herramienta lea cuidadosamente y  
comprenda estas instrucciones antes de  
empezar a operarla.*

La placa de Modelo y de Número de Serie está  
localizada en la caja principal de la herramienta. Anote  
estos números en las líneas de abajo y guárdelos para  
su referencia en el futuro.

Número de modelo \_\_\_\_\_

Tipo \_\_\_\_\_

Número de serie \_\_\_\_\_

Número de parte 887787-795

**PORTER-CABLE**  
PROFESSIONAL POWER TOOLS

# NORMAS DE SEGURIDAD IMPORTANTES

**ADVERTENCIA:** Cuando use herramientas eléctricas, siempre debe seguir las precauciones básicas de seguridad para reducir el riesgo de incendio, choque eléctrico y herida personal, incluyendo lo siguiente:

LEA Y SIGA TODAS LAS INSTRUCCIONES.

Hay ciertas aplicaciones para las cuales esta herramienta fue diseñada. Porter-Cable recomienda enfáticamente que esta herramienta NO SEA modificada ni usada para trabajos para los cuales no fue diseñada. Si tiene alguna pregunta relativa a su aplicación, NO USE la herramienta hasta que nos haya escrito a Porter-Cable y le hayamos aconsejado.

Technical Service Manager  
Porter-Cable Corporation  
4825 Highway 45 North  
P. O. Box 2468  
Jackson, TN 38302-2468

**CONECTORES POLARIZADOS:** Para reducir el riesgo de un choque eléctrico, este aparato tiene la clavija polarizada (un contacto es más ancho que el otro). Estos contactos entran en un tomacorriente polarizado de una sola manera. Si los contactos no entran en el tomacorriente, invierta la clavija. Si todavía no entran, póngase en contacto con un electricista cualificado que pueda instalar un tomacorriente apropiado. No cambie la clavija de ninguna manera.

**1. MANTENGA SU ESPACIO DE TRABAJO LIMPIO.** Los espacios y los bancos desordenados invitan las heridas.

**2. EVITE EL AMBIENTE PELIGROSO.** No exponga la herramienta eléctrica a la lluvia. No use la herramienta eléctrica en lugares húmedos ni mojados. Mantenga su espacio bien iluminado. Evite el ambiente corrosivo o químico. No use la herramienta donde haya líquidos o gases inflamables.

**3. PROTÉJASE CONTRA EL CHOQUE ELÉCTRICO.** Prevenga el contacto con superficies que sirvan de tierra. Por ejemplo: la tubería, los radiadores, las estufas y los refrigeradores.

**4. NO ADMITA A NIÑOS** al sitio de trabajo. No deje que los visitantes toquen la herramienta ni el cable de servicio. Tampoco debe admitirlos al área de trabajo.

**5. GUARDE HERRAMIENTAS DESOCUPADAS.** Cuando no se usa, la herramienta debe estar guardada en un lugar seco y alto o cerrado con llave fuera del alcance de los niños.

**6. NO DEBE FORZAR LA HERRAMIENTA.** Hará el trabajo mejor y con más seguridad a la velocidad para la cual fue diseñada.

**7. USE LA HERRAMIENTA APROPIADA.** No fuerce una herramienta pequeña ni accesorio para hacer el trabajo de una herramienta de servicio pesado. No use la herramienta en un trabajo para el cual no fue diseñada – por ejemplo – no use una sierra circular portátil para cortar ramas ni leño.

**8. VÍSTASE APROPIADAMENTE.** No lleve ropa suelta ni alhajas. La ropa suelta, los cordones de prendas y las alhajas pueden trabarse en las partes móviles. Se recomienda que use guantes de hule (goma) y calzado antideslizante (antiderrapante) cuando se trabaje al aire libre. Toda persona que tenga cabello (pelo) largo debe llevar una red o algo que le mantenga el cabello sujetado.

**9. USE ANTEOJOS DE SEGURIDAD.** Lleve anteojos de seguridad o antiparras cuando esté operando la herramienta eléctrica. También lleve una máscara contra el polvo si la operación produce polvo. Toda persona cerca de donde se esté usando la herramienta eléctrica también debe llevar anteojos de seguridad y máscara contra el polvo.

**10. NO MALTRATE EL CABLE.** Nunca lleve la herramienta por el cable eléctrico, ni lo desconecte de un tirón del tomacorriente. No deje que el cable eléctrico se acerque a lo caliente, al aceite o a las superficies filosas. Mandé reemplazar inmediatamente los cables eléctricos y las grapas de tensión dañadas o gastadas. **DE NINGUNA MANERA DEBE INTENTAR LA REPARACIÓN DEL CABLE DE LA HERRAMIENTA.**

**11. ASEGURE SU TRABAJO.** Use abrazaderas o una prensa de tornillo para detener la pieza en elaboración. Es más seguro que usar la mano y además le libra ambas manos para operar la herramienta.

**12. NO SOBREALCANCE.** Siempre mantenga buen equilibrio.

**13. MANTENGA SUS HERRAMIENTAS CON CUIDADO.** Mantenga sus herramientas afiladas y limpias para obtener el mejor y más seguro rendimiento. Siga las instrucciones para lubricar y cambiar los accesorios. Revise los cables de las herramientas periódicamente y si están dañados, mándelos componer a un centro de servicio autorizado. Revise los cables de servicio periódicamente y reemplácelos si están dañados. Mandé reemplazar inmediatamente todas las partes perdidas, gastadas o rotas. Mantenga las agarraderas (empuñaduras) secas, limpias y sin ninguna grasa o aceite.

**14. DESCONECTE LAS HERRAMIENTAS** cuando no estén en uso, antes de darles servicio y al cambiarles los accesorios como las sequetas, las brocas, los cortadores, etc.

**15. QUITÉ LLAVES DE AJUSTE Y DE TUERCA.** Forme el hábito de revisar y quitar las llaves de ajuste y las llaves de tuerca antes de poner la herramienta en marcha.

**16. EVITE UNA MARCHA NO INTENCIONADA DE LA HERRAMIENTA.** No transporte una herramienta conectada con el dedo sobre el interruptor eléctrico. Asegúrese de que el interruptor eléctrico esté apagado antes de enchufar la herramienta. Mantenga las manos, el cuerpo y la ropa libre de las sequetas, las brocas, los cortadores, etc. al enchufar las herramientas.

**17. USO DE CABLES DE SERVICIO AFUERA.** Cuando use la herramienta afuera use exclusivamente cables de extensión marcados "Suitable for use with outdoor appliances – store indoors when not in use."

**18. MANTÉNGASE ALERTA.** Preste atención a lo que esté haciendo. Proceda lógicamente. No use la herramienta cuando esté cansado o bajo la influencia de medicación, alcohol o drogas.

**19. REVISE PARTES DAÑADAS.** Antes de continuar el uso de la herramienta debe revisar cuidadosamente el protector o cualquier parte que esté dañada para determinar si funcionará correctamente y hará el trabajo para el cual fue diseñada. Revise la alineación de las partes móviles, la inmovilización de partes móviles, la rotura de las partes, el montaje y cualquier otra condición que pueda afectar su funcionamiento. Cualquier protector u otra parte dañada debe ser reparada o reemplazada en un centro de servicio autorizado, a no ser que esté indicado de una manera contraria en otra parte de este manual de instrucciones. Mandé reemplazar los interruptores eléctricos a un centro de servicio autorizado. No use la herramienta si el interruptor eléctrico no funciona correctamente.

**20. USE PROTECCIÓN DE OÍDOS** para prevenir la sordera.

GUARDE ESTAS INSTRUCCIONES

## **NORMAS DE SEGURIDAD ADICIONALES PARA LIJADORAS/ESMERILADORAS DE DISCO**

1. **NUNCA** use el cerrojo de eje para parar la rotación del eje.
2. **SIEMPRE** use protectores (guardas) con los accesorios que los requieren.
3. **SIEMPRE** coloque el protector de manera que desvíe al sentido opuesto del operario las astillas o los pedazos de rueda que puedan quebrarse involuntariamente.
4. **ASEGÚRESE DE QUE** las ruedas de amolar, los discos, los cojines, etcétera estén en buena condición de funcionamiento – libre de grietas o muescas – y que la velocidad de régimen sobrepase la indicada en la placa de especificaciones de la herramienta.
5. **USE EL EQUIPO DE SEGURIDAD APROPIADO.** Lleve anteojos de seguridad para protegerse los ojos y use una máscara protectora para minimizar la posibilidad de aspirar el polvo fino mientras lije. **TOME NOTA:** Algunas maderas contienen preservativos que pueden ser tóxicos. Use extrema precaución para prevenir la inhalación del polvo o el contacto del polvo con la piel durante la elaboración de estos materiales.
6. **NO SE RECOMIENDA LIJAR PINTURA CON BASE DE PLOMO.** Sólo los profesionales deben quitar la pintura que contiene plomo.

## **NORMAS DE SEGURIDAD ADICIONALES PARA QUITAR PINTURA**

**ADVERTENCIA:** Se debe usar extrema precaución al quitar la pintura. El descascarillado, el residuo, y los vapores de pintura pueden contener plomo que es tóxico. Hasta un nivel bajo puede afectar el cerebro y el sistema nervioso. Afecta aún más a los niños chicos y a los prenatales.

Antes de empezar cualquier trabajo de quitar pintura se debe determinar si la pintura contiene plomo. Para hacer esta determinación, se puede llamar al representante del departamento de salud local o a un profesional con un analizador de pintura.

**SÓLO LOS PROFESIONALES DEBEN QUITAR LA PINTURA QUE CONTIENE PLOMO.**

Las personas que quiten la pintura deben seguir estas instrucciones:

1. **MANTENGA BUENA VENTILACIÓN.** Abra las ventanas y coloque un ventilador (abanico) en una de ellas. Asegúrese de que el ventilador esté sacando el aire hacia afuera.
2. **QUITE O CUBRA** todas las alfombras, los muebles, la ropa, los utensilios de la cocina y los conductores del aire acondicionado.
3. **EXTIENDA UNAS MANTAS** para juntar el descascarillado. Lleve camisa de manga larga, mono y sombrero o gorra.
4. **TERMINE UN CUARTO ANTES DE EMPEZAR OTRO.** Coloque y cubra todos los muebles en el centro del cuarto. Cuelgue mantas de los portales (puertas) para aislar el cuarto del resto de la casa.
5. **LOS NIÑOS Y LAS MUJERES EMBARAZADAS** o lactantes no deben entrar en el sitio hasta que el trabajo y la limpieza se hayan terminado.

**6. USE UN RESPIRADOR PARA POLVO** o una máscara respiradora con filtros dobles aprobados por la Administración de Salubridad y Seguridad Ocupacional (OSHA), el Instituto Nacional de Salubridad y Seguridad (NIOSH) o la Agencia de Minas de los E.E.U.U. Estas máscaras y filtros se consiguen en las ferreterías principales. Asegúrese de que la máscara le venga bien. Las barbas y los vellos faciales pueden prevenir la seguridad de la máscara. Cambie los filtros con frecuencia. **LAS MÁSCARAS DE PAPEL PARA TIRAR NO SON ADECUADAS.**

**7. MANTENGA LA COMIDA Y LAS BEBIDAS** fuera del sitio de trabajo. Lávese las manos, los brazos y la cara. Enjuáguese la boca antes de comer o beber. No fume, mastique chicle ni use tabaco en el sitio de trabajo.

**8. LIMPIE TODA PINTURA REMOVIDA** y polvo con un trapeador mojado. Emplee un trapo mojado para limpiar las paredes, los rebordes y otras superficies donde se encuentre la pintura o el polvo. **NO BARRA, NI SACUDA NI LIMPIE CON ASPIRADORA.** Use un detergente (jabón) rico en fosfato o trisodio (TSP) para limpiar y trapear el sitio.

**9. DESPUÉS DE CADA TURNO DE TRABAJO** ponga el descascarillado y los escombros en una bolsa de plástico doble, ciérrela bien con cinta de pegadura o "twist ties" y tírela apropiadamente.

**10. QUÍTESE LA ROPA PROTECTORA** y los zapatos de trabajo dentro del sitio de trabajo para no ensuciar el resto de la casa con polvo. Lave esta ropa aparte. Limpie los zapatos con un trapo mojado. Entonces lave el trapo con la ropa de trabajo. Lávese bien el cabello (pelo) y el cuerpo con jabón y agua.

## **PARTES DE REPUESTO**

Use exclusivamente partes de repuesto idénticas cuando el reemplazo sea necesario.

## **MOTOR**

Muchas herramientas de Porter-Cable funcionarán con corriente continua o monofásica de 25 a 60 Hz corriente alterna y con un voltaje entre más o menos el 5 por ciento de lo indicado en la placa de especificaciones de la herramienta. Varios modelos son diseñados solamente para usar con corriente alterna. Refiérase a la placa de especificaciones de su herramienta para informarse del voltaje correcto y de la capacidad normal de la corriente.

**PRECAUCIÓN:** No use su herramienta con una corriente en la cual el voltaje no esté entre los límites correctos. No use herramientas de un régimen de corriente alterna con corriente continua. El hacerlo puede dañar seriamente su herramienta.

## **SELECCIÓN DE CABLES DE SERVICIO**

Si se usa un cable de servicio, verifique que el tamaño del conductor sea bastante grande para prevenir una disminución excesiva de voltaje que cause una pérdida de potencia y posiblemente dañe el motor. Una guía de tamaños de cables de servicio recomendados se encuentra en esta sección. Esta guía se basa en la limitación de pérdida de voltaje a 5 voltios (10 voltios en el caso de 230 voltios) a 150% de la capacidad normal de amperios.

Si un cable de servicio se usará afuera, tendrá que ser marcado con el sufijo W-A siguiendo la designación del tipo de cable. Por ejemplo – SJTW-A que indica que es aceptable para uso afuera (al aire libre).

**TAMAÑOS DE CABLES DE SERVICIO RECOMENDADOS  
PARA USO CON HERRAMIENTAS ELÉCTRICAS PORTÁTILES**

		Longitud del cordón en pies								
115V		25 pies	50 pies	100 pies	150 pies	200 pies	250 pies	300 pies	400 pies	500 pies
230V		50 pies	100 pies	200 pies	300 pies	400 pies	500 pies	600 pies	800 pies	1000 pies
Capacidad nominal en amperios	0-2	18	18	18	16	16	14	14	12	12
	2-3	18	18	16	14	14	12	12	10	10
	3-4	18	18	16	14	12	12	10	10	8
	4-5	18	18	14	12	12	10	10	8	8
	5-6	18	16	14	12	10	10	8	8	6
	6-8	18	16	12	10	10	8	6	6	6
	8-10	18	14	12	10	8	8	6	6	4
	10-12	16	14	10	8	8	6	6	4	4
	12-14	16	12	10	8	6	6	6	4	2
	14-16	16	12	10	8	6	6	4	4	2
	16-18	14	12	8	8	6	4	4	2	2
18-20	14	12	8	6	6	4	4	2	2	

## INSTRUCCIONES DE MANEJO

### PRÓLOGO

Su Lijadora/Esmeriladora de Disco de Porter-Cable fue diseñada para varias operaciones de lijar y de amolar cuando se usa con los accesorios recomendados y apropiados.

Típicamente se usa para lijar tablas ásperas, para quitar pintura y barniz, para lijar el metal de automóviles, para lijar el reborde de soldadura, para quitar los chisporroteos y las irregularidades vaciadizas de fundición, para quitar el herrumbre (óxido), para nivelar las costuras de hormigón (concreto) y para trabajos similares.

### PARA PONERLA EN MARCHA Y PARARLA

1. Asegúrese de que el voltaje del circuito eléctrico sea el mismo que el indicado en la placa de especificaciones. Enchufe la herramienta al circuito eléctrico.
2. Apriete el gatillo interruptor (A) Fig. 1 para poner el motor en marcha. Suéltelo para parar el motor.

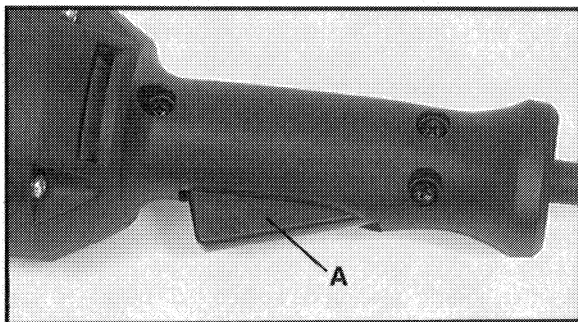


Fig. 1



# LA LIJADORA DE DISCO

## PARA INSTALAR EL DISCO DE LIJAR

Su herramienta de Porter-Cable tiene, como equipo accesorio, un cojín de soporte y una tuerca inaflojable de tipo sin llave. No se necesita ninguna llave para instalar o remover el disco de lijar.

1. **PRECAUCIÓN:** DESCONECTE LA MÁQUINA DE LA FUENTE DE ELECTRICIDAD.

2. Ponga la arandela (E) en el eje (F).

3. Apriete la clavija (G) del cerrojo de eje y meta el cojín de soporte (D) en el eje mientras lo gira en el sentido de las manecillas del reloj hasta que se asiente. Entonces ponga (también girando) el disco flexible (C) en el eje hasta que se asiente.

4. Meta la tuerca de retención (A) por el agujero en el disco de lijar (B) y gírela en el sentido de las manecillas del reloj hasta que se asiente. La operación normal de la lijadora apretará la tuerca.

5. Para quitar el disco de lijar, desconecte la máquina de la fuente de electricidad, apriete la clavija (G) del cerrojo de eje y gire el disco de lijar (B) junto con el disco flexible (C) en el sentido contrario a las manecillas del reloj y quítelo.

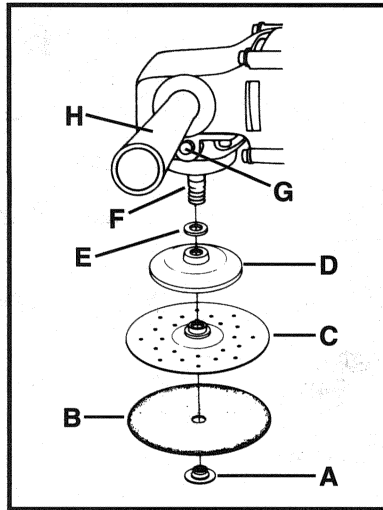


Fig. 2

## PARA INSTALAR LA AGARRADERA AUXILIAR

Una agarradera (mango) auxiliar (H), Fig. 2 está incluida con su herramienta y se puede instalar en cualquier lado de la caja delantera. Esta agarradera DEBE USARSE TODO EL TIEMPO para mantener control completo de la máquina mientras lije.

## PARA USAR LA LIJADORA DE DISCO

1. **PRECAUCIÓN:** Asegure el trabajo para prevenir su movimiento durante la operación de lijar. La fricción entre el disco y la pieza en elaboración intentará hacer girar y alejar el trabajo de la lijadora y puede causar herida personal.

2. **PRECAUCIÓN:** USE ANTEOJOS DE SEGURIDAD Y UNA MÁSCARA CONTRA EL POLVO.

3. Agarre bien la lijadora por la agarradera trasera y la auxiliar, asegurándose de que el disco de lijar no esté tocando el trabajo ni objetos ajenos. Ponga la lijadora en marcha y bájela a un ángulo de manera que 1" (2.5 cm) a 1 1/4" (3.2 cm) del disco de lijar esté en contacto con el trabajo. Vea la Fig. 3. Un ángulo demasiado grande puede arrancar o enganchar el trabajo; uno demasiado pequeño puede hacerle difícil controlar la lijadora al operario.

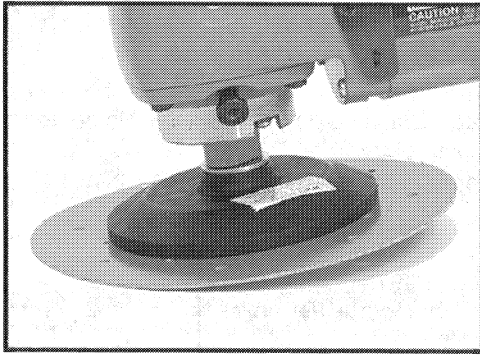


Fig. 3

4. Avance la lijadora usando movimientos traslapados y largos de lado a lado. No use un movimiento circular ni lije un lugar por mucho tiempo o dejará remolinos y un acabado irregular. El peso de la lijadora provee suficiente presión para quitar el material rápidamente. La presión adicional disminuirá la velocidad de la lijadora y la cantidad de material que quite.

5. LEVANTE LA LIJADORA DEL TRABAJO ANTES DE PARAR EL MOTOR.

6. Siempre asegúrese de que el motor haya parado completamente antes de poner la lijadora a un lado. Hay un apoyo en la parte superior de la lijadora en donde dejarla cuando no esté en uso.

### INFORMACIÓN PARA LIJAR

Para lijar madera áspera y para quitar material rápidamente, use un disco de lijar de grano grueso. Para un acabado fino, use un disco de grano mediano y sígalo con uno de grano fino. No progrese de un grano grueso a uno fino, porque es difícil quitar los remolinos del disco de grano grueso.

## LA ESMERILADORA

**PARA INSTALAR EL PROTECTOR** (No. de Catálogo 54341)

1. **PRECAUCIÓN:** DESCONECTE LA MÁQUINA DE LA FUENTE DE ELECTRICIDAD.
2. Coloque la máquina sobre el soporte y la agarradera trasera.
3. Ponga el collar del protector (guarda) en el cubo de la caja de engranajes (engranes) de la esmeriladora (vea la Fig. 4).

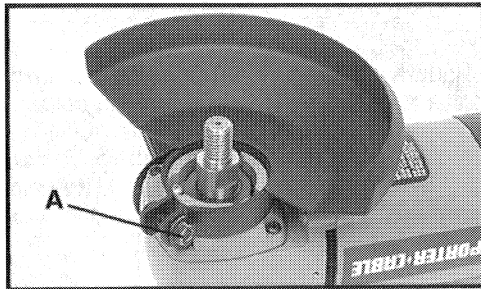


Fig. 4

- Coloque el protector de manera que desvíe al sentido opuesto del operario las astillas o los pedazos de rueda que puedan quebrarse involuntariamente. La Fig. 5 ilustra el protector ya instalado para usarse con una rueda de amolar con centro de depresión.
- Apriete bien la tuerca sujetadora (A) Fig. 4.

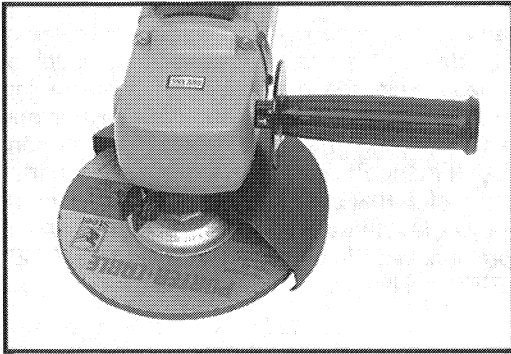


Fig. 5

### PARA INSTALAR LA RUEDA DE AMOLAR CON CENTRO DE DEPRESIÓN

- PRECAUCIÓN:** DESCONECTE LA MÁQUINA DE LA FUENTE DE ELECTRICIDAD.
- Coloque la máquina sobre el soporte y la agarradera trasera.
- Para montar el protector (guarda) de rueda, siga las instrucciones PARA INSTALAR EL PROTECTOR (No. de Catálogo 54341).
- Ponga el cubo de la rueda de amolar con centro de depresión (tipo de automontaje) en el eje de la esmeriladora y dele vuelta a la rueda en el sentido de las manecillas del reloj para enroscarla en el eje.
- Apriete la clavija (A) Fig. 6, del cerrojo de eje para asegurar la rueda, y manteniendo la máquina con una mano, gire la rueda en el sentido de las manecillas del reloj con la otra. Apriétela firmemente con la mano.
- Para quitar la rueda, haga los pasos anteriores al revés.

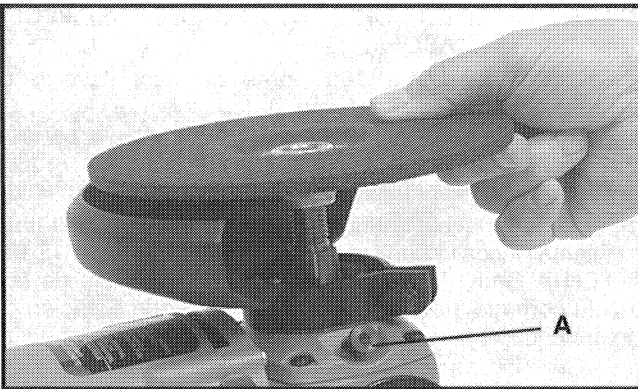


Fig. 6

## **PARA LIJAR EL REBORDE DE SOLDADURA, LOS CHISPORROTEOS DE FUNDICIÓN, LAS IRREGULARIDADES VACIADIZAS DE FUNDICIÓN, ETCÉTERA.**

**PRECAUCIÓN:** Siempre use el protector (guarda) de seguridad con la rueda de amolar con centro de depresión.

Use la rueda de amolar con centro de depresión y el protector (vea la Fig. 6). Coloque el protector de manera que desvíe al sentido opuesto del operario las astillas o los pedazos de rueda que puedan quebrarse involuntariamente. Monte la agarradera auxiliar en cualquier lado de la caja de engranajes. Agarre bien el mango trasero y la agarradera auxiliar. Antes de poner en marcha o parar el motor, alce el mango trasero hasta que sólo la parte delantera de la rueda esté tocando el trabajo. Cuando la esmeriladora no esté en uso colóquela en el apoyo y la agarradera trasera. Para instalar la rueda de amolar con centro de depresión, vea **PARA INSTALAR LA RUEDA DE AMOLAR CON CENTRO DE DEPRESIÓN.**

## **MANTENIMIENTO**

### **MANTENGA LAS HERRAMIENTAS LIMPIAS**

Periódicamente sople todos los conductos de ventilación con aire seco a presión. Todas las partes de plástico deben ser limpiadas con una tela suave y húmeda. **NUNCA** use solventes para limpiar las partes de plástico. Es posible que puedan disolver o de otra manera dañar el material.

**PRECAUCIÓN:** Use anteojos de seguridad cuando use aire a presión.

### **FALLA DE PONERSE EN MARCHA**

Si su herramienta falla de ponerse en marcha, revísela para asegurarse de que los contactos de la clavija estén en buen contacto con el tomacorriente. También, vea si hay fusibles fundidos o ruptores abiertos en el circuito.

### **INSPECCIÓN DE ESCOBILLAS (Carbones) y LUBRICACIÓN**

Para su seguridad continua y protección contra el choque eléctrico, lubricación y servicio de esta herramienta debe hacerse **SOLAMENTE** en una **ESTACIÓN DE SERVICIO AUTORIZADO POR PORTER-CABLE** o en un **CENTRO DE SERVICIO DE PORTER-CABLE.**

Después de aproximadamente 100 horas de uso, lleve o mande su herramienta a la Estación de Servicio Autorizado por Porter-Cable más cercana para limpiarla a fondo y revisarla; para reemplazar partes gastadas, cuando sea necesario; para relubricarla de nuevo, si es requerido; para reensamblarla con escobillas nuevas; y para revisar su rendimiento.

Cualquier pérdida de potencia antes de la inspección de arriba puede indicar que su herramienta necesite servicio inmediato. **NO CONTINÚE EL USO DE LA HERRAMIENTA BAJO ESTA CONDICIÓN.** Si el voltaje de la fuente de electricidad está correcto, devuelva su herramienta a la Estación de Servicio para servicio inmediato.

## **SERVICIO Y REPARACIONES**

Toda herramienta de calidad eventualmente necesitará servicio o reemplazo de partes gastadas debido al uso normal. Estas operaciones, incluyendo la inspección y reemplazo de escobillas, deben hacerse ÚNICAMENTE en una ESTACIÓN DE SERVICIO AUTORIZADO POR PORTER-CABLE o en un CENTRO DE SERVICIO DE PORTER-CABLE. Toda reparación hecha por estas agencias está completamente garantizada contra material y hechura defectuosa. No podemos garantizar reparaciones hechas o intentadas por ninguna otra agencia. Si usted tiene alguna pregunta acerca de su herramienta, favor de escribirnos cuando quiera. En toda comunicación, por favor escriba toda la información dada en la placa de su herramienta (número de modelo, tipo, número de serie, etc.).

## **ACCESORIOS**

Esta herramienta ha sido probada con los siguientes accesorios. Para la más segura operación, se recomienda que solamente estos accesorios sean usados con este producto.

**ADVERTENCIA:** Como ningún otro accesorio, fuera de los indicados, se ha probado con este producto, el uso de tal accesorio puede ser peligroso.

### **ACCESORIOS PARA LA LIJADORA DE DISCO**

**No. 55741 – Equipo Abrasivo de 7".** Incluye el cojín, el disco y la tuerca.

**No. 55747 – Tuerca de Retención de Repuesto**

**Discos de Lijar de 7" de Calidad Industrial** como los que tiene su distribuidor de Porter-Cable

### **ACCESORIOS PARA LA ESMERILADORA**

**No. 54341 – Montaje del Protector (guarda) de Rueda de 7" –** para usarse con la rueda de amolar con centro de depresión.

**No. 874951 – Rueda de Amolar con Centro de Depresión de 7" –** disponible en los Centros de Servicio de Porter-Cable.

**Rueda de Amolar con Centro de Depresión de 7" de Calidad Industrial** como los que tiene su distribuidor de Porter-Cable.

- PRECAUCIÓN:**
- (A) Hay que usar el protector (guarda) apropiado con todas las ruedas de amolar.
  - (B) Todas las ruedas tienen que tener una velocidad de régimen que permita una velocidad de seguridad mínima de 5.000 rpm.

## PÓLIZA DE GARANTÍA DE 1 AÑO DE PORTER-CABLE

La Compañía de Porter-Cable garantiza sus herramientas de clavar y de grapar a partir de 1 año de la fecha de compra. Porter-Cable reparará o reemplazará – según nuestra opción – cualquier parte o partes de la herramienta o de los accesorios protegidos bajo esta garantía que, después de examinarlas, demuestren cualquier defecto en los materiales o mano de obra durante el periodo de la garantía. Para reparación o reemplazo, devuelva la herramienta o accesorio completo, cubriendo el precio de transporte, al Centro de Servicio de Porter-Cable o a la Estación de Servicio Autorizado más cercana, según la lista de su directorio telefónico bajo "TOOLS ELECTRIC" (HERRAMIENTAS ELÉCTRICAS). Puede ser que requiera prueba de compra. Esta garantía no incluye los empaques de anillo ni las paletas de impulsor y no es válida en caso de mal uso, abuso o desgaste normal de la herramienta así como reparaciones efectuadas o atentadas por otros medios que no sean de los Centros de Servicio de Porter-Cable o las Estaciones de Servicio Autorizado por Porter-Cable.

**CUALQUIER GARANTÍA IMPLICADA, INCLUSO LAS GARANTÍAS DE MERCADERÍA Y APTITUD PARA PROPOSITOS ESPECIALES O PARTICULARES, DURARÁN POR SÓLO UN (1) AÑO A PARTIR DE LA FECHA DE COMPRA.**

Para obtener información de la garantía de desempeño haga el favor de escribir a Porter-Cable Corporation 4825 Highway 45 North, P. O. Box 2468, Jackson, Tennessee 38302-2468; Attention: Product Service. LA OBLIGACIÓN ANTERIORMENTE MENCIONADA ES AL ÚNICA RESPONSABILIDAD DE PORTER-CABLE BAJO ESTA O CUALQUIER GARANTÍA IMPLICADA. PORTER-CABLE DE NINGUNA MANERA SERÁ RESPONSABLE POR NINGÚN DAÑO INCIDENTAL O CONSECUENTE. Algunos estados no permiten limitaciones de tiempo de garantías implicadas ni la exclusión o la limitación de daños incidentales o consecuentes, así es que hay una posibilidad que la limitación o la exclusión no le aplique a usted.

La garantía le da a usted unos derechos especificados y legales. Puede ser que usted tenga también otros derechos legales los cuales varían de un estado a otro.

PRODUCTO \_\_\_\_\_

MODELO \_\_\_\_\_ No. DE SERIE \_\_\_\_\_

DISTRIBUIDOR \_\_\_\_\_

TELÉFONO \_\_\_\_\_

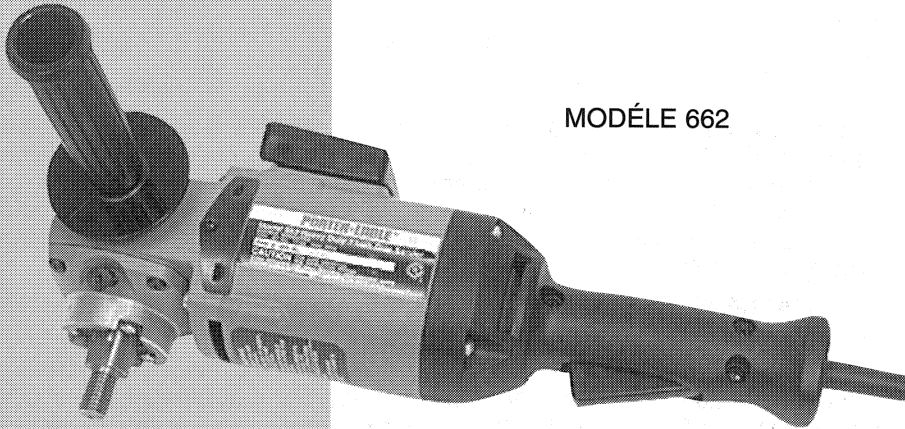
FECHA DE ENTREGA \_\_\_\_\_ / \_\_\_\_\_ /19 \_\_\_\_\_

FIRMA/SELLO \_\_\_\_\_

Manuel  
d'utilisation

Ponceuse à  
disque/rectifieuse  
à double isolation

MODÈLE 662



Pour de plus amples renseignements  
concernant Porter-Cable, consultez  
notre Website à l'adresse suivante :

<http://www.porter-cable.com>

**PORTER-CABLE**  
PROFESSIONAL POWER TOOLS

**IMPORTANT**

*Veillez vous assurer que la personne qui  
utilise cet outil lit attentivement et comprend  
ces instructions avant de commencer à  
utiliser l'outil.*

La plaque des numéros de modèle et de série est située  
sur le boîtier principal de l'outil. Prenez note de ces  
numéros dans les espaces ci-après et conservez-les pour  
référence future.

No. de modèle \_\_\_\_\_

Type \_\_\_\_\_

No. de série \_\_\_\_\_

No. de pièce 887787-795

## IMPORTANTES CONSIGNES DE SÉCURITÉ

**AVERTISSEMENT** : En utilisant des outils électriques, des précautions de base doivent toujours être suivies pour réduire le risque d'incendie, de chocs électriques et de blessures, y compris les suivantes :

LISEZ ET SUIVEZ TOUTES LES CONSIGNES.

Cet outil a été conçu en fonction de certaines applications. Porter-Cable recommande fortement de NE PAS modifier et/ou utiliser cet outil pour une application autre que celle pour laquelle il a été conçu. Si vous avez des questions concernant son application, N'utilisez PAS l'outil avant d'avoir écrit à Porter-Cable et que nous vous ayons avisé.

Technical Service Manager  
Porter-Cable Corporation  
4825 Highway 45 North  
P. O. Box 2468  
Jackson, TN 38302-2468

**FICHES POLARISÉES** : Pour réduire le risque de chocs électriques, cet outil possède une fiche polarisée (une lame est plus large que l'autre). Cette fiche ne s'insérera dans une prise polarisée que d'une seule façon. Si la fiche ne s'insère pas à fond dans la prise, inversez la fiche. Si elle ne s'insère toujours pas, contactez un électricien qualifié pour faire installer la prise appropriée. Ne modifiez la fiche d'aucune façon.

- 1. GARDEZ L'AIRE DE TRAVAIL PROPRE.** Les aires de travail et les établis encombrés invitent les accidents.
- 2. ÉVITEZ LES ENVIRONNEMENTS DANGEREUX.** N'exposez pas les outils électriques à la pluie. N'utilisez pas les outils électriques dans des endroits humides ou mouillés. Gardez l'aire de travail bien éclairée. Évitez les environnements chimiques ou corrosifs. N'utilisez pas l'outil en présence de liquides ou de gaz inflammables.
- 3. PROTÉGEZ-VOUS CONTRE LES CHOCS ÉLECTRIQUES.** Prévenez le contact corporel avec les surfaces mises à la terre, telles que tuyaux, radiateurs, cuisinières ou enceintes de réfrigérateur.
- 4. TENEZ LES ENFANTS À L'ÉCART.** Ne laissez pas les visiteurs venir en contact avec l'outil ou le cordon de rallonge. Tous les visiteurs doivent être tenus à l'écart de l'aire de travail.
- 5. RANGEZ LES OUTILS INUTILISÉS.** Lorsqu'ils ne sont pas en usage, les outils doivent être rangés à un endroit sec et élevé, ou sous clé – hors de la portée des enfants.
- 6. NE FORCEZ PAS L'OUTIL.** Il exécutera un travail plus efficace et plus sûr à la vitesse à laquelle il a été conçu.
- 7. UTILISEZ LE BON OUTIL.** Ne forcez pas un petit outil ou accessoire à exécuter le travail d'un outil à grand rendement. N'utilisez pas l'outil à une fin pour laquelle il n'est pas conçu — ainsi, n'utilisez pas une scie circulaire pour couper des bûches ou des branches d'arbre.
- 8. HABILLEZ-VOUS ADÉQUATEMENT.** Ne portez pas de bijoux ou de vêtements lâches. Les vêtements lâches, les lacets et les bijoux peuvent être happés par les pièces en mouvement. Des gants en caoutchouc et des chaussures antidérapantes sont recommandés pour le travail à l'extérieur. Contenez les cheveux longs dans un filet ou autre revêtement protecteur.



- 9. UTILISEZ DES LUNETTES DE SÉCURITÉ.** Portez des lunettes de sécurité ou des lunettes à coques latérales en utilisant des outils motorisés. Portez également un écran facial ou antipoussières si le travail crée de la poussière. Toutes les personnes dans la zone où des outils électriques sont utilisés doivent également porter des lunettes de sécurité et un écran facial ou antipoussières.
- 10. NE MALTRAITEZ PAS LE CORDON.** Ne transportez jamais l'outil par le cordon et ne le tirez pas pour le débrancher de la prise. Tenez le cordon à l'écart de la chaleur, de l'huile et des arêtes vives. Faites remplacer immédiatement le cordon et le détendeur endommagés ou usés. **NE TENTEZ PAS DE RÉPARER LE CORDON ÉLECTRIQUE.**
- 11. ASSUJETTISSEZ L'OUVRAGE.** Utilisez des serre-joints ou un étau pour tenir l'ouvrage. C'est plus sûr que d'utiliser vos mains et libère vos deux mains pour manier l'outil.
- 12. TRAVAILLEZ AVEC APLOMB.** Tenez-vous bien d'aplomb et gardez votre équilibre à tout moment.
- 13. ENTRETENEZ LES OUTILS SOIGNEUSEMENT.** Gardez les outils affûtés et propres pour un travail plus efficace et plus sûr. Suivez les consignes relatives au graissage et au changement d'accessoires. Inspectez les cordons d'outil périodiquement et, s'ils sont endommagés, faites-les réparer par un centre de service agréé. Inspectez les cordons de rallonge périodiquement et remplacez-les s'ils sont abîmés. Faites remplacer immédiatement toutes les pièces usées, brisées ou perdues. Gardez les manches secs, propres et exempts d'huile et de graisse.
- 14. DÉBRANCHEZ LES OUTILS** lorsqu'ils ne sont pas en usage, avant l'entretien et lors du changement d'accessoires tels que lames, mèches, couteaux, etc.
- 15. ENLEVEZ LES CLÉS DE RÉGLAGE ET DE SERRAGE.** Prenez l'habitude de voir à ce qu'elles soient mises de côté avant de mettre l'outil en marche.
- 16. ÉVITEZ LA MISE EN MARCHÉ ACCIDENTELLE.** Ne transportez pas un outil branché avec le doigt appuyé sur l'interrupteur. Assurez-vous que l'interrupteur est en position d'arrêt avant de brancher l'outil. Tenez les mains, le corps et les vêtements à l'écart des lames, mèches, couteaux, etc., en branchant l'outil.
- 17. CORDONS DE RALLONGE POUR EXTÉRIEUR.** Quand vous utilisez l'outil à l'extérieur, n'employez que des cordons de rallonge marqués « Suitable for use with outdoor appliances – store indoors when not in use. » (peut être utilisé avec appareils extérieurs – ranger à l'intérieur lorsqu'il n'est pas en usage).
- 18. SOYEZ VIGILANT.** Regardez ce que vous faites. Faites preuve de discernement. N'utilisez pas l'outil quand vous êtes fatigué ou sous l'influence de médicaments, d'alcool ou de stupéfiants.
- 19. RECHERCHEZ LES PIÈCES ENDOMMAGÉES.** Avant d'utiliser l'outil, examinez soigneusement l'état des protecteurs ou autres pièces pour vous assurer qu'ils fonctionnent correctement. Vérifiez l'alignement et la liberté de fonctionnement des pièces mobiles, l'état et le montage des pièces et toutes autres conditions susceptibles d'affecter défavorablement le fonctionnement. Il faut faire réparer ou remplacer toute pièce ou tout protecteur par un centre de service agréé, sauf indication à l'effet contraire dans ce manuel d'instructions. Faites réparer les interrupteurs défectueux par un centre de service agréé. N'utilisez pas l'outil si l'interrupteur ne le met pas en marche et à l'arrêt.
- 20. PORTEZ UN CACHE-OREILLES ANTIBRUIT** pour vous protéger contre une éventuelle perte auditive.

CONSERVEZ CES INSTRUCTIONS

## CONSIGNES DE SÉCURITÉ SUPPLÉMENTAIRES POUR LA PONCEUSE À DISQUE/RECTIFIEUSE

1. N'utilisez **JAMAIS** la cheville de blocage d'axe pour empêcher l'axe de tourner.
2. Utilisez **TOUJOURS** des protecteurs avec les accessoires qui nécessitent ce matériel.
3. Positionnez **TOUJOURS** le protecteur de manière à ce que les éclats ou les morceaux projetés par une meule qui pourrait accidentellement se briser soient défléchis en direction opposée à l'opérateur.
4. **ASSUREZ-VOUS** que les meules, les disques, les coussinets, etc., sont en bon état, exempts de fissures ou d'éclats et que la **VITESSE NOMINALE DÉPASSE CELLE INDIQUÉE SUR LA PLAQUE SIGNALÉTIQUE DE L'OUTIL.**
5. **UTILISEZ L'ÉQUIPEMENT DE SÉCURITÉ APPROPRIÉ.** Portez des lunettes de sécurité pour protéger vos yeux et portez un masque protecteur afin de minimiser la respiration de la poussière fine produite durant le ponçage. **REMARQUE** : Certains bois contiennent des agents de conservation qui peuvent être toxiques. Redoublez de prudence pour prévenir l'inhalation et le contact cutané lorsque vous travaillez avec ces matériaux.
6. **LE PONÇAGE DE LA PEINTURE AU PLOMB N'EST PAS RECOMMANDÉ.** La peinture au plomb ne doit être enlevée que par un professionnel.

## RÈGLES DE SÉCURITÉ SUPPLÉMENTAIRES POUR L'ÉLIMINATION DE LA PEINTURE

**AVERTISSEMENT** : On doit procéder extrêmement soigneusement en éliminant la peinture. Les éclats, les résidus et les vapeurs de peinture peuvent contenir du plomb qui est toxique. L'exposition fût-ce à de bas niveaux de plomb peut causer des lésions irréversibles au cerveau et au système nerveux ; les jeunes enfants et les fœtus sont particulièrement vulnérables.

Avant de commencer à éliminer la peinture, vous devez déterminer si la peinture en question contient du plomb. Cette détermination peut être faite par votre département de santé local ou par un professionnel qui utilise un analyseur de peinture pour vérifier la teneur en plomb.

**LA PEINTURE AU PLOMB NE DOIT ÊTRE ÉLIMINÉE QUE PAR UN PROFESSIONNEL.**

Les personnes éliminant la peinture doivent suivre ces directives :

1. **GARDEZ L'AIRE DE TRAVAIL BIEN VENTILÉE.** Ouvrez les fenêtres et placez un ventilateur aspirant dans l'une d'elles. Assurez-vous que le ventilateur déplace l'air depuis l'intérieur vers l'extérieur.
2. **ENLEVEZ OU COUVREZ** les tapis, les moquettes, les meubles, les vêtements, les ustensiles de cuisson et les prises d'air.
3. **PLACEZ DES JETÉES** dans l'aire de travail pour ramasser tout éclat de peinture. Portez des vêtements protecteurs tels que des chemises de travail, des bleus de travail et des chapeaux.
4. **TRAVAILLEZ DANS UNE PIÈCE À LA FOIS.** L'ameublement doit être enlevé ou placé au centre de la pièce et couvert. Les aires de travail doivent être isolées du reste de l'habitation en scellant les portes à l'aide de jetées.

**5. LES ENFANTS, LES FEMMES ENCEINTES OU POTENTIELLEMENT ENCEINTES** et les mères qui allaitent ne doivent pas être présentes dans l'aire de travail tant que le travail n'est pas achevé et que le nettoyage n'est pas terminé.

**6. PORTEZ UN RESPIRATEUR ANTIPOUSSIÈRE** ou un masque respirateur à double filtre (poussière et gaz) qui a été approuvé par l'Occupational Safety and Health Administration (OSHA), le National Institute of Safety and Health (NIOSH), ou le Bureau of Mines des États-Unis. On peut se procurer facilement ces masques et filtres remplaçables auprès des grandes quincailleries. Assurez-vous que le masque fait. Les barbes et le poil facial peuvent empêcher les masques de bien faire. Changez les filtres souvent. **LES MASQUES EN PAPIER À USAGE UNIQUE NE SONT PAS ADÉQUATS.**

**7. GARDEZ LES ALIMENTS ET LES BOISSONS** hors de l'aire de travail. Lavez-vous les mains, les bras et le visage, et rincez-vous la bouche avant de manger ou de boire. Ne fumez pas et ne mâchez pas de gomme ou de tabac dans l'aire de travail.

**8. RAMASSEZ TOUTE LA PEINTURE ENLEVÉE** et la poussière en passant un balai-éponge mouillé sur les planchers. Utilisez un chiffon mouillé pour nettoyer tous les murs, les seuils et toute autre surface où adhère la peinture ou la poussière. **NE BALAYEZ PAS, N'ÉPOUSSETEZ PAS À SEC ET NE PASSEZ PAS L'ASPIRATEUR.** Utilisez un détergent à haute teneur en phosphate ou de l'irisodium (TSP) pour laver les aires de travail.

**9. À LA FIN DE CHAQUE SESSION DE TRAVAIL,** mettez les éclats de peinture et les débris dans un double sac en plastique, fermez-le avec du ruban ou des attaches, et mettez au rebut adéquatement.

**10. ENLEVEZ LES VÊTEMENTS PROTECTEURS** et les chaussures de travail dans l'aire de travail pour éviter de transporter de la poussière dans le reste de l'habitation. Lavez les vêtements de travail séparément. Essuyez les chaussures avec un chiffon mouillé qui est alors lavé avec les vêtements de travail. Lavez les cheveux et le corps soigneusement à l'eau savonneuse.

## **PIÈCES DE RECHANGE**

En réparant, n'utilisez que des pièces de rechange identiques.

## **MOTEUR**

Bon nombre d'outils Porter-Cable fonctionneront sur courant continu ou courant alternatif monophasé 25 à 60 cycles, et une tension qui se situe à plus ou moins 5 pour cent de celle indiquée sur la plaque signalétique de l'outil. Cependant, plusieurs modèles sont conçus uniquement pour le courant alternatif. Reportez-vous à la plaque signalétique de votre outil pour connaître les valeurs appropriées de tension et de courant.

**MISE EN GARDE :** Ne faites pas fonctionner votre outil sur un courant sur lequel la tension n'est pas dans les limites correctes. Ne faites pas fonctionner des outils marqués c.a. seulement sur le courant c.c. Ceci pourrait abîmer considérablement l'outil.

## CHOIX DU CORDON DE RALLONGE

Si un cordon de rallonge est utilisé, assurez-vous que le conducteur est de taille suffisamment grande pour prévenir une chute excessive de tension et d'éventuels dommages au moteur. Un tableau des dimensions recommandées des cordons de rallonge se trouve ci-après. Ce tableau est basé sur une limitation de la chute de tension secteur à 5 volts (10 volts pour 230 volts) à 150 % des ampères nominaux.

Si un cordon de rallonge doit être utilisé à l'extérieur, il doit être marqué du suffixe W-A suivant la désignation du type de cordon. Par exemple – SJTW-A pour indiquer qu'il est acceptable pour utilisation extérieure.

DIMENSIONS RECOMMANDÉES DES CORDONS DE RALLONGE  
POUR UTILISATION AVEC DES OUTILS ÉLECTRIQUES PORTATIFS

		Longueur du cordon en pieds									
		115V	25 pi.	50 pi.	100 pi.	150 pi.	200 pi.	250 pi.	300 pi.	400 pi.	500 pi.
		230V	50 pi.	100 pi.	200 pi.	300 pi.	400 pi.	500 pi.	600 pi.	800 pi.	1000 pi.
Valeur nominale en ampères sur la plaque signalétique	0-2	18	18	18	16	16	14	14	12	12	
	2-3	18	18	16	14	14	12	12	10	10	10
	3-4	18	18	16	14	12	12	10	10	8	8
	4-5	18	18	14	12	12	10	10	8	8	6
	5-6	18	16	14	12	10	10	8	8	6	6
	6-8	18	16	12	10	10	8	6	6	4	4
	8-10	18	14	12	10	8	8	6	6	4	4
	10-12	16	14	10	8	8	6	6	4	4	2
	12-14	16	12	10	8	6	6	4	4	2	2
	14-16	16	12	10	8	6	6	4	4	2	2
	16-18	14	12	8	8	6	4	4	2	2	
18-20	14	12	8	6	6	4	4	2	2		

## INSTRUCTIONS DE FONCTIONNEMENT

### AVANT-PROPOS

Votre ponceuse à disque/rectifieuse Porter-Cable est conçue pour de nombreuses opérations de ponçage et de rectification lorsqu'elle est utilisée avec les accessoires recommandés appropriés.

Les applications typiques comprennent l'égalisation de planches rugueuses, le décapage de la peinture et du vernis, le ponçage des carrosseries automobiles, le lissage des perles de soudure, l'enlèvement des attaques de coulée et des bavures des coulées, l'enlèvement de la rouille, le nivelage des joints de façonnage du béton, et ainsi de suite.

### POUR METTRE EN MARCHÉ ET À L'ARRÊT

1. Assurez-vous que la tension du circuit d'alimentation est identique à celle apparaissant sur la plaque signalétique. Branchez l'outil.
2. Appuyez sur la gâchette (A) Fig. 1 pour mettre le moteur en marche. Relâchez la gâchette pour arrêter le moteur.

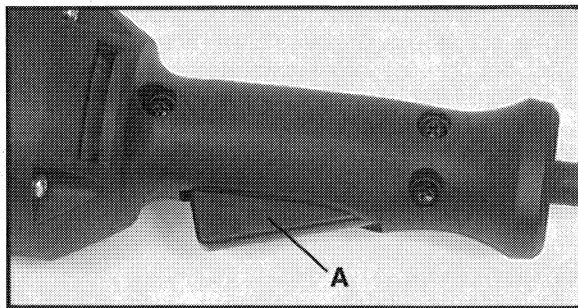


Fig. 1

## LA PONCEUSE À DISQUE

### POUR POSER LE DISQUE DE PONÇAGE

Votre outil Porter-Cable possède, en équipement accessoire, un coussinet d'appui de type sans clé, et un contre-écrou. Aucune clé de serrage n'est requise pour poser ou déposer le disque de ponçage.

**1. MISE EN GARDE : DÉBRANCHEZ L'OUTIL.**

2. Placez la rondelle (E) sur l'axe (F).

3. Appuyez sur la cheville de blocage d'axe (G) et tournez le coussinet d'appui (D) en sens horaire sur l'arbre (F) jusqu'à ce qu'il soit calé. Tournez ensuite le disque flexible (C) sur l'arbre jusqu'à ce qu'il soit calé.

4. Placez l'écrou de retenue (A) à travers le trou du disque de ponçage (B) et tournez en sens horaire sur l'arbre jusqu'à ce qu'il soit calé. Le fonctionnement normal de la ponceuse serrera le disque de ponçage.

5. Pour retirer le disque de ponçage, débranchez l'outil, appuyez sur la cheville de blocage d'axe (G) et tournez le disque de ponçage (B) avec le disque flexible (C) en sens anti-horaire et déposez.

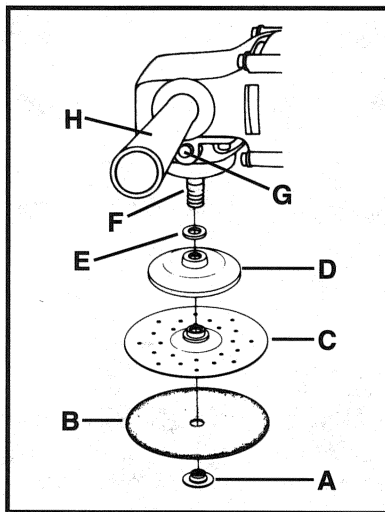


Fig. 2

### POUR POSER LA POIGNÉE AUXILIAIRE

Une poignée auxiliaire (H), Fig. 2, est fournie avec votre outil, et elle peut être posée d'un côté comme de l'autre du boîtier avant. On DOIT UTILISER CETTE POIGNÉE À TOUT MOMENT en vue d'un contrôle parfait de l'outil en ponçant.

### UTILISATION D'UNE PONCEUSE À DISQUE

1. **MISE EN GARDE** : Fixez l'ouvrage pour l'empêcher de bouger durant le ponçage. La friction entre le disque de ponçage et l'ouvrage tentera d'éloigner l'ouvrage de la ponceuse et peut causer des blessures.

2. **MISE EN GARDE** : PORTEZ DES LUNETTES DE SÉCURITÉ ET UN MASQUE ANTI-POUSSIÈRES.

3. Tenez la ponceuse fermement par les poignées arrière et auxiliaire, en vous assurant que le disque de ponçage est à l'écart de l'ouvrage et des objets étrangers. Mettez la ponceuse en marche et abaissez-la à un angle de sorte qu'environ 1 à 1¼ po du disque de ponçage soit en contact avec l'ouvrage. Voir Fig. 3. Un angle trop grand peut gouger l'ouvrage ou provoquer des accrocs à celui-ci, tandis qu'un angle trop petit entraîne des difficultés extrêmes à contrôler la ponceuse.

4. Déplacez la ponceuse en longs mouvements de balayage qui se chevauchent tout en allant d'avant-arrière. Ne déplacez pas la ponceuse en un mouvement circulaire et ne restez pas à un endroit trop longtemps, ce qui produira des marques de tourbillonnement et un fini inégal. Le poids de la ponceuse exerce une pression suffisante pour un enlèvement rapide des matériaux. Une pression accrue ne fera que ralentir la ponceuse et diminuera l'enlèvement de matériaux.

5. LEVEZ LA PONCEUSE DE L'OUVRAGE AVANT DE METTRE LE MOTEUR À L'ARRÊT.

6. Assurez-vous toujours que le moteur s'est arrêté avant de poser la ponceuse. Un support est aménagé sur le dessus de la ponceuse pour reposer la ponceuse à l'envers lorsqu'elle n'est pas en usage.

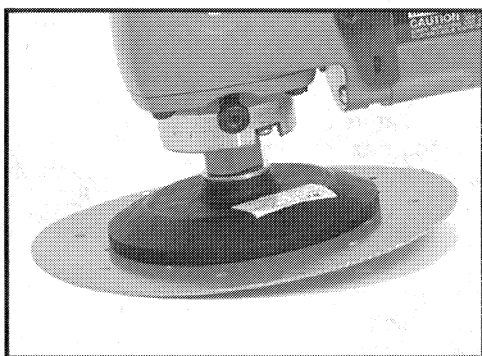


Fig. 3

## CONSEILS DE PONÇAGE

Pour le ponçage grossier et l'enlèvement rapide des matériaux, utilisez un disque de ponçage à grain grossier. Pour un fini fin, utilisez un disque à grain moyen, suivi d'un disque à grain fin. Ne passez pas directement d'un grain grossier à un grain fin, car il est difficile d'enlever les marques laissées par le disque à grain grossier.

## LA RECTIFIEUSE

**POSE DU PROTECTEUR DE SÉCURITÉ** (No. de catalogue 54341)

1. **MISE EN GARDE** : DÉBRANCHEZ L'OUTIL.
2. Reposez l'outil sur son support et la poignée arrière.
3. Placez le collier du protecteur de sécurité sur le moyeu du carter d'engrenages de la rectifieuse (voir Fig. 4).

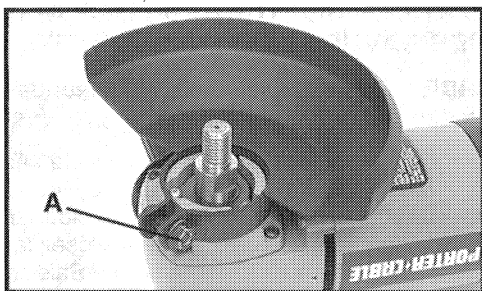


Fig. 4

4. Positionnez le protecteur de manière à ce que les éclats ou les morceaux projetés par une meule qui pourrait accidentellement se briser soient défléchis en direction opposée à l'opérateur. La Fig. 5 montre le protecteur posé pour usage avec la meule à centre affaissé.

5. Serrez fermement l'écrou de serrage (A) Fig. 4.

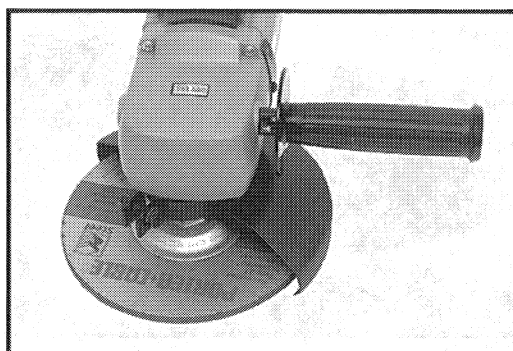


Fig. 5

## POSE DE LA MEULE À CENTRE AFFAÏSÉ

1. **MISE EN GARDE : DÉBRANCHEZ L'OUTIL.**
2. Reposez l'outil sur le support et la poignée arrière.
3. Assemblez l'ensemble de protecteur de meule en suivant les instructions données sous POSE DU PROTECTEUR DE SÉCURITÉ (No. de catalogue 54341).
4. Placez le moyeu de la meule à centre affaissé (de type à automontage) sur l'arbre de l'axe de la rectifieuse, et tournez en sens horaire pour serrer la meule sur l'axe.
5. Serrez la meule en appuyant sur la cheville de blocage d'axe (A) Fig. 6 et en tenant l'outil d'une main, tout en tournant la meule en sens horaire de l'autre main. Serrez à la main fermement.
6. Pour retirer la meule, inversez la procédure qui précède.

## **LISSAGE DES PERLES DE SOUDURE, DES ATTAQUES DE COULÉE, DES BAVURES DE COULÉE, ETC.**

**MISE EN GARDE :** Utilisez toujours un protecteur de sécurité avec une meule à centre affaîssé.

Utilisez une meule à centre affaîssé et un protecteur de sécurité (voir Fig. 6). Le protecteur doit être positionné de manière à ce que les éclats ou les morceaux projetés par une meule qui pourrait accidentellement se briser soient défléchis en direction opposée à l'opérateur. Posez la poignée auxiliaire d'un côté comme de l'autre du carter d'engrenages. Saisissez fermement les poignées auxiliaire et arrière. Soulevez la poignée arrière de manière à ce que seul le secteur avant de la meule soit en contact avec l'ouvrage avant de mettre le moteur en marche ou à l'arrêt. Lorsque la rectifieuse n'est pas utilisée, remettez-la en place sur son support et sur la poignée arrière. Pour la pose de la meule à centre affaîssé, reportez-vous à la POSE DE LA MEULE À CENTRE AFFAÎSSÉ.

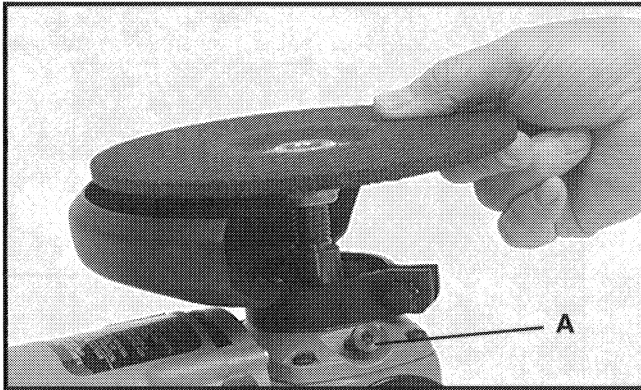


Fig. 6

## **ENTRETIEN**

### **GARDEZ L'OUTIL EN BON ÉTAT DE PROPRIÉTÉ**

Soufflez périodiquement de l'air comprimé sec à travers toutes les prises d'air. Toutes les pièces en plastique doivent être nettoyées à l'aide de chiffons humides doux. N'utilisez JAMAIS de solvants pour nettoyer les pièces en plastique. Ils pourraient dissoudre ou abîmer par ailleurs le matériau.

**MISE EN GARDE :** Portez des lunettes de sécurité en utilisant de l'air comprimé.

### **IMPOSSIBILITÉ DE METTRE L'OUTIL EN MARCHÉ**

Si votre outil ne se met pas en marche, assurez-vous que les broches de la fiche du cordon établissent un bon contact dans la prise. Vérifiez également si des fusibles sont grillés ou si des disjoncteurs sont déclenchés.



## **INSPECTION ET LUBRIFICATION DES BALAIS**

Pour maintenir votre sécurité et votre protection électrique, l'inspection et le remplacement des balais de cet outil ne doivent être confiés qu'à un CENTRE DE SERVICE PORTER-CABLE AGRÉÉ ou à un CENTRE DE SERVICE PORTER-CABLE.

Après environ 100 heures d'utilisation, apportez ou envoyez votre outil à votre centre de service Porter-Cable agréé le plus proche qui l'inspectera et le nettoiera soigneusement, remplacera les pièces usées au besoin, relubrifiera avec du lubrifiant frais si nécessaire, le remontera avec de nouveaux balais, et vérifiera son fonctionnement.

Toute perte de puissance avant la vérification d'entretien susmentionnée peut indiquer la nécessité de réparations immédiates de votre outil. **NE CONTINUEZ PAS À UTILISER L'OUTIL DANS CES CONDITIONS.** En présence d'une tension de service appropriée, renvoyez votre outil au centre de service pour réparations immédiates.

## **SERVICE ET RÉPARATIONS**

Tous les outils de qualité finissent par nécessiter un entretien ou un remplacement de pièces qui s'usent dans des conditions normales d'utilisation. Ces opérations, y compris l'inspection et le remplacement des balais, doivent être effectuées **UNIQUEMENT** par un CENTRE DE SERVICE PORTER-CABLE AGRÉÉ ou un CENTRE DE SERVICE PORTER-CABLE. Toutes les réparations effectuées par ces centres sont garanties entièrement contre les vices de matériaux et d'exécution. Nous ne pouvons garantir les réparations effectuées ou entreprises par une personne autre que ces centres.

Si vous avez des questions au sujet de votre outil, n'hésitez pas à nous écrire à quelque moment que ce soit. Dans toutes vos communications, veuillez mentionner toutes les informations apparaissant sur la plaque signalétique de votre outil (numéro de modèle, type, numéro de série, etc.).

## **ACCESSOIRES**

Cet outil a fait l'objet de vérifications à l'aide des accessoires suivants **UNIQUEMENT**. Pour un fonctionnement sûr, il est recommandé de N'utiliser **QUE** ces accessoires avec votre produit.

**AVERTISSEMENT** : Étant donné que des accessoires autres que ceux indiqués n'ont pas été essayés avec ce produit, l'utilisation de ces accessoires pourrait être dangereuse.

### **ACCESSOIRES DE PONCEUSE À DISQUE**

**No. 55741 – Nécessaire de coussinet d'appui – abrasif de 7 po.**

Comprend le coussinet, le disque et un écrou.

**No. 55747 – Écrou de retenue de rechange**

**Disques de ponçage 7 po de qualité industrielle** tels qu'offerts par votre distributeur Porter-Cable.

## **ACCESSOIRES DE RECTIFIEUSE**

**No. 54341 – Ensemble de protecteur de meule 7 po** – Utilisez avec les meules à centre affaissé.

**No. 874951 – Meule à centre affaissé 7 po** – offerte par les centres de service Porter-Cable.

**Meules à centre affaissé 7 po de qualité industrielle** (type à automontage), telles qu'offertes par votre distributeur Porter-Cable.

**MISE EN GARDE :** (A) Le protecteur approprié doit être utilisé avec toutes les meules.

(B) Toutes les meules doivent être prévues pour une vitesse sûre de 5000 tr/min au maximum.

## **GARANTIE LIMITÉE D'UN AN OFFERTE PAR PORTER-CABLE**

Porter-Cable garantit ses outils dans la série "Professional Power Tools" pour une période d'un an à partir de la date de l'achat original. Pendant la période de garantie, nous réparerons, ou nous remplacerons, selon le cas, toute pièce de nos outils ou de nos accessoires couverte par notre garantie qui, après inspection, révélera un défaut de facture ou de matériel. Pour toute réparation ou pour tout remplacement, renvoyez l'outil ou l'accessoire en prépayé au centre de service Porter-Cable ou à la station autorisée la plus proche telle qu'elle ait indiqué dans l'annuaire téléphonique sous la rubrique « OUTILS-ELECTRIQUE ». Il se peut qu'on vous demande de produire des pièces justificatives attestant de l'achat de l'outil. Cette garantie ne s'applique pas aux réparations ou aux remplacements nécessaires occasionnés par un mauvais usage de l'outil, un abus de l'outil, l'usage normal de l'outil, ou les réparations qui auraient été faites par un personnel non-autorisé n'appartenant pas à nos centre de service ou à nos stations autorisées.

**TOUTE GARANTIE IMPLICITE, LA GARANTIE DE COMMERCE ET DE CONVENANCE POUR UNE TACHE PARTICULIERE INCLUE, NE DURERONT QUE POUR UNE PÉRIODE D'UN (1) AN A PARTIR DE LA DATE D'ACHAT**

Si vous désirez obtenir un supplément d'information sur la garantie, écrivez-nous à l'adresse suivante: PORTER-CABLE CORPORATION, 4825 Highway 45 North, P.O. Box 2468, Jackson, Tennessee 38302-2468; Attention: Product Service. L'OBLIGATION PRÉCÉDENTE EST LA SEULE RESPONSABILITÉ DE PORTER-CABLE SOUS LES TERME DE CETTE, OU DE TOUTE AUTRE, GARANTIE IMPLICITE OU NON. SOUS AUCUNE CIRCONSTANCE, PORTER-CABLE NE SERA TENU POUR RESPONSABLE POUR TOUT DOMMAGES INCIDENTAUX OU INDIRECTS. Certaines provinces ne permettent pas que limites soit posées soit sur la période de temps que dure une garantie implicite, soit sur la limitation ou l'exclusion de dommages incidentaux ou indirects. Ainsi, il se peut que l'exclusion citée ci-dessus ne s'applique pas directement à vous. Cette garantie vous donne certains droits légaux spécifiques. Vous pouvez également avoir droit à d'autres droits légaux selon les provinces.

# PORTER-CABLE SERVICE CENTERS (CENTROS DE SERVICIO DE PORTER-CABLE) (CENTRE DE SERVICE PORTER-CABLE)

**Parts and Repair Service for Porter-Cable Power Tools are Available at These Locations**  
(Obtenga Refaccion de Partes o Servicio para su Herramienta en los Siguietes Centros de Porter-Cable)  
(Locations où vous trouverez les pièces de rechange nécessaires ainsi qu'un service d'entretien)

## CALIFORNIA

Ontario 91761 (Los Angeles)  
3949A East Guasti Road  
Phone: (909) 390-5555  
Fax: (909) 390-5554

San Leandro 94577 (Oakland)  
3039 Teagarden Street  
Phone: (510) 357-9762  
Fax: (510) 357-7939

## COLORADO

Denver 80204  
2561 West 8th Avenue  
Phone: (303) 892-6113  
Fax: (303) 595-0358

## FLORIDA

Hialeah 33014 (Miami)  
16373-75 NW 57th Ave.  
Phone: (305) 624-2523  
Fax: (305) 628-2654

Tampa 33609  
4538 W. Kennedy Boulevard  
Phone: (813) 877-9585  
Fax: (813) 289-7948

## GEORGIA

Morrow 30260 (Atlanta)  
1286 Citizens Parkway, Suite C  
Phone: (770) 961-0900  
Fax: (770) 961-8624

## ILLINOIS

Addison 60101 (Chicago)  
311 Laura Drive  
Phone: (630) 628-6100  
Fax: (630) 628-0023

## MARYLAND

Baltimore 21227  
7397 Washington Blvd.  
Suite #102  
Phone: (410) 799-9394  
Fax: (410) 799-9398

## MASSACHUSETTS

Franklin 02038 (Boston)  
Franklin Industrial Park  
101E Constitution Blvd.  
Phone: (508) 520-8802  
Fax: (508) 528-8089

## MICHIGAN

Troy 48083 (Detroit)  
1355 Combermere  
Phone: (248) 597-5000  
Fax: (248) 597-5004

## MINNESOTA

Minneapolis 55429  
4315 68th Avenue North  
Phone: (612) 561-9080  
Fax: (612) 561-0653

## MISSOURI

North Kansas City 64116  
1141 Swift Avenue  
P.O. Box 12393  
Phone: (816) 221-2070  
Fax: (816) 221-2897

St. Louis 63119

7574 Watson Road  
Phone: (314) 968-8950  
Fax: (314) 968-2790

## NEW YORK

Flushing 11365-1595 (N.Y.C.)  
175-25 Horace Harding Expwy.  
Phone: (718) 225-2040  
Fax: (718) 423-9619

## NORTH CAROLINA

Charlotte 28209  
4303-B South Boulevard  
Phone: (704) 525-4410  
Fax: (704) 525-0618

## OHIO

Columbus 43214  
4560 Indianola Avenue  
Phone: (614) 263-0929  
Fax: (614) 263-1238

Cleveland 44125

8001 Sweet Valley Dr.  
Unit #19  
Phone: (216) 447-9030  
Fax: (216) 447-3097

## PENNSYLVANIA

Philadelphia 19154  
12285 McNulty Road  
Phone: (215) 677-7800  
Fax: (215) 677-9908

## TEXAS

Dallas 75220  
10720 N. Stemmons Freeway  
Phone: (214) 353-2996  
Fax: (214) 350-3943

Houston 77055

West 10 Business Center  
1008 Wirt Road, Suite 120  
Phone: (713) 682-0334  
Fax: (713) 682-4867

## WASHINGTON

Renton 98055 (Seattle)  
268 Southwest 43rd Street  
Phone: (425) 251-6680  
Fax: (425) 251-9337

Authorized Service Stations are located in many large cities. Telephone **800-487-8665** or **901-541-6042** for assistance locating one. Las Estaciones de Servicio Autorizadas están ubicadas en muchas grandes ciudades. Llame al **800-487-8665** ó al **901-541-6042** para obtener asistencia a fin de localizar una. Des centres de service agréés sont situés dans beaucoup de grandes villes. Appelez au **800-487-8665** ou au **901-541-6042** pour obtenir de l'aide pour en repérer un.

## DELTA SERVICE CENTERS

### ALBERTA

Bay 6, 2520-23rd St. N.E.  
Calgary, Alberta  
T2E 8L2  
Phone: (403) 735-6166  
Fax: (403) 735-6144

### BRITISH COLUMBIA

8520 Baxter Place  
Burnaby, B.C.  
V5A 4T8  
Phone: (604) 420-0102  
Fax: (604) 420-3522

### MANITOBA

1699 Dublin Avenue  
Winnipeg, Manitoba  
R3H 0H2  
Phone: (204) 633-9259  
Fax: (204) 632-1976

### ONTARIO

644 Imperial Road  
Guelph, Ontario  
N1H 6M7  
Phone: (519) 836-2840  
Fax: (519) 767-4131

### QUÉBEC

1515 ave.  
St-Jean Baptiste,  
Québec, Québec  
G2E 5E2  
Phone: (418) 877-7112  
Fax: (418) 877-7123

1447, Begin  
St-Laurent, (Montréal), Québec  
H4R 1V8  
Phone: (514) 336-8772  
Fax: (514) 336-3505

The following are trademarks of PORTER-CABLE Corporation (Las siguientes son marcas registradas de PORTER-CABLE S.A.) (Les marques suivantes sont des marques de fabricant de la PORTER-CABLE Corporation): PORTER-CABLE®, LASERLOC®, OMNIJIG®, POCKET CUTTER®, PORTA-BAND®, PORTA-PLANE®, QUICKSAND®, VERSA-PLANE®, SAW BOSS®, SPEED-BLOC®, SPEEDMATIC®, SPEEDTRONIC®, STAIR-EASE®, THE PROFESSIONAL EDGE®, TIGER CUB®, TIGER SAW®, DURATRONIC™, FRAME SAW™, MICRO-SET™, MORTEN™, QUIK-CHANGE™, SANDTRAP™, TORQ-BUSTER™, TRU-MATCH™, WOODWORKER'S CHOICE™.

Trademarks noted with ® are registered in the United States Patent and Trademark Office and may also be registered in other countries. Las Marcas Registradas con el signo de ® son registradas por la Oficina de Registros y Patentes de los Estados Unidos y también pueden estar registradas en otros países. Marques déposées, indiquées par la lettre ®, sont déposées au Bureau des brevets d'invention et marques déposées aux Etats-Unis et pourraient être déposées aux autres pays.