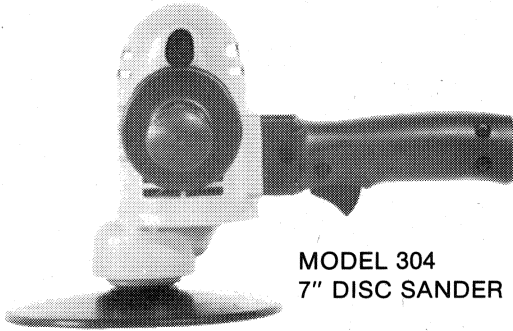
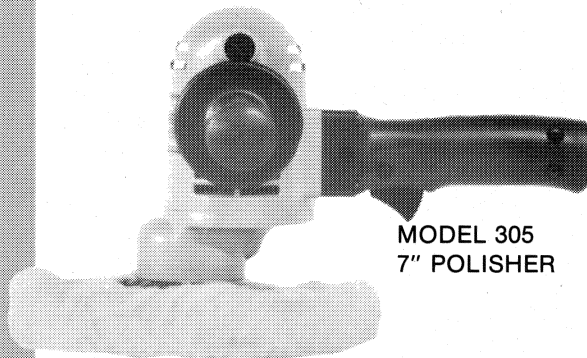


# Instruction manual

## 7" Disc Sander 7" Polisher



MODEL 304  
7" DISC SANDER



MODEL 305  
7" POLISHER

### IMPORTANT

Please make certain that the person who is to use this equipment carefully reads and understands these instructions before starting operations.

The Model and Serial No. plate is located on the main housing of the tool. Record these numbers in the spaces below and retain for future reference.

Model No. \_\_\_\_\_

Type \_\_\_\_\_

Serial No. \_\_\_\_\_

Part No. 692555-191

**PORTER-CABLE**  
PROFESSIONAL POWER TOOLS

# SAFETY INSTRUCTIONS

## GROUNDING INSTRUCTIONS

This tool should be grounded while in use to protect the operator from electric shock. The tool is equipped with an approved three-conductor cord and three-prong grounding type plug to fit the proper grounding type receptacle. The green (or green and yellow) conductor in the cord is the grounding wire. Never connect the green (or green and yellow) wire to a live terminal.

If your unit is for use on less than 150 Volts, the power cord is equipped with a plug that has two flat, parallel current-carrying prongs and one longer, round or "U"-shaped, ground prong which requires a mating 3-conductor grounded type receptacle, as shown in Fig. 1.

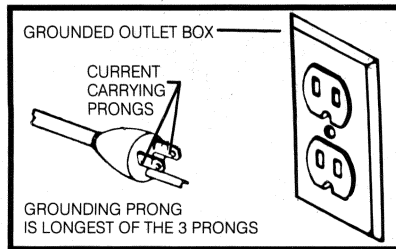


Fig. 1

An adapter, shown in Fig. 2, is available for connecting 3-prong grounding type plugs that are used on units less than 150 Volts to 2-prong receptacles. THIS ADAPTER IS NOT ALLOWED IN CANADA. The green colored rigid ear, lug, etc., must be connected to a permanent ground such as a properly grounded outlet box, as shown in Fig. 2.

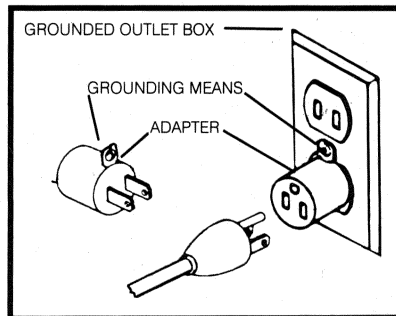


Fig. 2

If your unit is for use on 150 to 250 Volts, the power cord is equipped with a plug that has two flat current-carrying prongs in tandem, and one round or "U" - shaped, longer ground prong, as shown in Fig. 3. This plug is used only with the proper mating 3-conductor grounding type receptacle, as shown in Fig. 3. No adapter is available for this type plug.

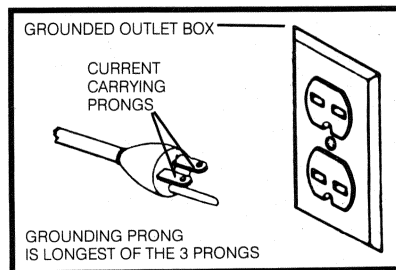


Fig. 3

**IN ALL CASES, MAKE SURE THE RECEPTACLE IN QUESTION IS PROPERLY GROUNDED.**

**NEVER REMOVE GROUNDING PRONG FROM POWER PLUG.**

## EXTENSION CORDS

Use only three-wire extension cords which have three prong grounding-type plugs and three-pole receptacle which accept the tool's plug. Replace or repair damaged or worn cord immediately. DO NOT ATTEMPT TO REPAIR POWER CORD.

# IMPORTANT SAFETY INSTRUCTIONS

**WARNING:** When using electric tools, basic safety precautions should always be followed to reduce the risk of fire, electric shock and personal injury, including the following:

READ AND FOLLOW ALL INSTRUCTIONS.

There are certain applications for which this tool was designed. Porter-Cable strongly recommends that this tool NOT be modified and/or used for any application other than for which it was designed. If you have any questions relative to its application DO NOT use the tool until you have written Porter-Cable and we have advised you.

Manager of Product Engineering  
Porter-Cable Corporation  
4825 Highway 45 North  
P.O. Box 2468  
Jackson, TN 38302-2468

1. **KEEP WORK AREA CLEAN.** Cluttered areas and benches invite injuries.
2. **AVOID DANGEROUS ENVIRONMENT.** Don't expose power tools to rain. Don't use power tools in damp or wet locations. Keep area well lit. Avoid chemical or corrosive environment. Do not use tool in presence of flammable liquids or gases.



THIS SYMBOL DENOTES DO NOT EXPOSE TO RAIN OR USE IN DAMP LOCATIONS

CE SIGNE EST L'INDICATION DE NE PAS EXPOSER A LA PLUIE ET NE PAS UTILISER DANS LES EMPLACEMENTS HUMIDES

3. **GUARD AGAINST ELECTRIC SHOCK.** Prevent body contact with grounded surfaces. For example: pipes, radiators, ranges, refrigerator enclosures.
4. **KEEP CHILDREN AWAY.** Do not let visitors contact tool or extension cord. All visitors should be kept away from work area.
5. **STORE IDLE TOOLS.** When not in use, tools should be stored in dry, and high or locked-up place — out of the reach of children.
6. **DON'T FORCE TOOL.** It will do the job better and safer at the rate for which it was intended.
7. **USE RIGHT TOOL.** Don't force small tool or attachment to do the job of a heavy duty tool. Don't use tool for purpose not intended—for example—do not use a circular saw for cutting tree limbs or logs.
8. **DRESS PROPERLY.** Do not wear loose clothing or jewelry. Loose clothing, draw strings and jewelry can be caught in moving parts. Rubber gloves and non-skid footwear are recommended when working. Wear protective hair covering to contain long hair.
9. **USE SAFETY GLASSES.** Wear safety glasses or goggles while operating power tools. Also face or dust mask if operation creates dust. All persons in the area where power tools are being operated should also wear safety glasses and face or dust mask.
10. **DON'T ABUSE CORD.** Never carry tool by cord or yank it to disconnect from receptacle. Keep cord from heat, oil, and sharp edges. Have damaged or worn power cord and strain reliever replaced immediately. DO NOT ATTEMPT TO REPAIR POWER CORD.

11. **SECURE WORK.** Use clamps or a vise to hold work. It's safer than using your hand and it frees both hands to operate tool.
12. **DON'T OVERREACH.** Keep proper footing and balance at all times.
13. **MAINTAIN TOOLS WITH CARE.** Keep tools sharp and clean for better and safer performance. Follow instructions for lubricating and changing accessories. Inspect tool cords periodically and if damaged, have repaired by authorized service facility. Inspect extension cords periodically and replace if damaged. Have all worn, broken or lost parts replaced immediately. Keep handles dry, clean and free from oil and grease.
14. **DISCONNECT TOOLS.** When not in use, before servicing, and when changing accessories such as blades, bits, cutters, etc.
15. **REMOVE ADJUSTING KEYS AND WRENCHES.** Form habit of checking to see that keys and adjusting wrenches are removed from the tool before turning it on.
16. **AVOID UNINTENTIONAL STARTING.** Do not carry a plugged-in tool with finger on switch. Be sure switch is off when plugging in. Keep hands, body and clothing clear of blades, bits, cutters, etc. when plugging in the tool.
17. **OUTDOOR USE EXTENSION CORDS.** When tool is used outdoors, use only extension cords marked "Suitable for use with outdoor appliances - store indoors when not in use."
18. **STAY ALERT.** Watch what you are doing. Use common sense. Do not operate tool when you are tired or while under the influence of medication, alcohol or drugs.
19. **CHECK DAMAGED PARTS.** Before further use of the tool, a guard or other part that is damaged should be carefully checked to determine that it will operate properly and perform its intended function. Check for alignment of moving parts, binding of moving parts, breakage of parts, mounting, and any other conditions that may affect its operation. A guard or other part that is damaged should be properly repaired or replaced by an authorized service center unless otherwise indicated elsewhere in this instruction manual. Have defective switches replaced by authorized service center. Do not use tool if switch does not turn it on and off.
20. **WEAR EAR PROTECTION** to safeguard against possible hearing loss.

SAVE THESE INSTRUCTIONS

## REPLACEMENT PARTS

When servicing, use only identical replacement parts.

## ADDITIONAL SAFETY RULES FOR DISC SANDERS AND POLISHERS

1. **ALWAYS** disconnect the cord plug from the power circuit before changing abrasive discs, pile fabric or pad or lamb's wool buff.
2. **KEEP** machine away from body while it is running.
3. **MAKE SURE** switch is in the "OFF" position before connecting tool to power circuit.

## CONNECTING TO POWER SOURCE

Your Porter-Cable tool is equipped with a Universal type motor that will operate at voltages that are within 5% above or below the voltages shown on the specification plate on the tool. Do not operate the tool at voltages that are not within correct limits. To do so will seriously damage the motor. Check the specification plate on your tool for the frequency at which it may operate (A.C. only, 25 to 60 Hertz) A.C. - D.C., 0 to 60 Hertz)

## EXTENSION CORD SELECTION

If an extension cord is used, make sure it is of the ~~three-conductor~~ three-conductor type with NEMA connectors so a continuous grounding circuit is provided from tool to power circuit receptacle. Also, be sure that the conductor size is large enough to prevent excessive voltage drop which will cause loss of power and possible motor damage. A table of recommended extension cord sizes will be found below.

For nameplate ampere ratings which are between those given, use the extension cord recommended for the NEXT higher ampere rating.

If an extension cord is to be used outdoors it must be marked with the suffix W-A following the cord type designation. For example — SJTW-A to indicate it is acceptable for outdoor use.

### RECOMMENDED EXTENSION CORD SIZES FOR USE WITH PORTABLE ELECTRIC TOOLS

Cord Lgth.	NAMEPLATE AMPERE RATING															
	0 to 5	6	7	8	9	10	11	12	13	14	15	16	17	18	19	20
25 Ft.	18	18	18	18	18	18	16	16	16	14	14	14	14	14	12	12
50 Ft.	18	18	18	18	18	18	16	16	16	14	14	14	14	14	12	12
75 Ft.	18	18	18	18	18	18	16	16	16	14	14	14	14	14	12	12
100 Ft.	18	18	18	16	16	16	16	16	14	14	14	14	14	14	12	12
125 Ft.	18	18	16	16	16	14	14	14	14	14	14	12	12	12	12	12
150 Ft.	18	16	16	16	14	14	14	14	14	12	12	12	12	12	12	12

NOTE: Wire sizes shown are AWG (American Wire Gage)

## THE BASIC MACHINES

### AUXILIARY HANDLE

An Auxiliary handle is supplied with this tool and can be mounted on either side of the motor housing. This handle should be used to give complete control of the machine.

### SWITCH

A trigger switch (A) Fig. 2, with lock button (B), is conveniently located in the machine handle. To start machine, depress switch trigger (A) Fig. 2, in bottom of handle. To stop machine, release trigger. If it is desired to keep machine running without holding finger on trigger, depress trigger, push in on switch locking button (B) Fig. 2, in left side of handle, and while holding button in, release trigger. To release locking button, depress trigger and release.

**CAUTION:** ALWAYS MAKE SURE SWITCH IS IN THE "OFF" POSITION BEFORE CONNECTING MACHINE TO THE POWER CIRCUIT.

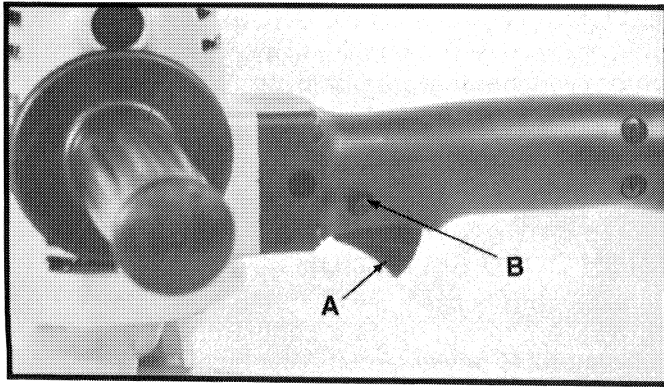


Fig. 2

## OPERATING INSTRUCTIONS

### SELECTING ABRASIVE DISCS

The sanding of wood usually involves three operations. First, rough sanding rapidly removes the old finish. Second, finish sanding removes the irregularities left by the roughing operation. Third, fine finishing completely prepares the surface for the application of the new finish.

Depending on the condition of the wood to be resurfaced, it may only be necessary to perform the second and third operations just outlined. Never go from the roughing to the fine finishing operations. It is very difficult and time consuming to remove the irregularities left by the coarse grit abrasive used for roughing, with the fine grit abrasive used for fine finishing.

### TO INSTALL ABRASIVE DISC

**CAUTION:** DISCONNECT SANDER FROM POWER SOURCE.

1. Thread rubber back-up pad on spindle.
2. Place abrasive disc on spindle with grit away from rubber pad.
3. With projection toward machine, thread abrasive disc nut on spindle.
4. Insert spanner wrench prongs in holes in abrasive disc nut, as shown in Fig. 3.
5. Insert hex wrench in end of spindle, as shown in Fig. 3.
6. Hold spindle with hex wrench while nut is firmly tightened with spanner wrench, as shown in Fig. 3.

### TO INSTALL PILE FABRIC PAD ON POLISHER

**CAUTION:** DISCONNECT SANDER FROM POWER SOURCE.

1. Place pile fabric pad on spindle with pile away from rubber pad.

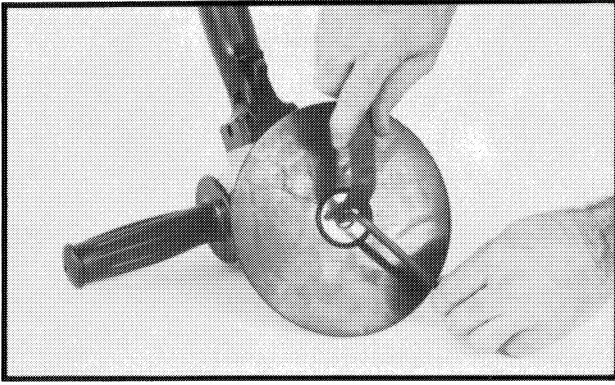


Fig. 3

2. With projection toward machine, thread abrasive disc nut on spindle.
3. Insert spanner wrench prongs in holes in abrasive disc nut.
4. Insert hex wrench in end of spindle.
5. Hold spindle with hex wrench while nut is firmly tightened with spanner wrench.

#### **TO INSTALL LAMB'S WOOL BUFF ON POLISHER**

**CAUTION:** DISCONNECT SANDER FROM POWER SOURCE.

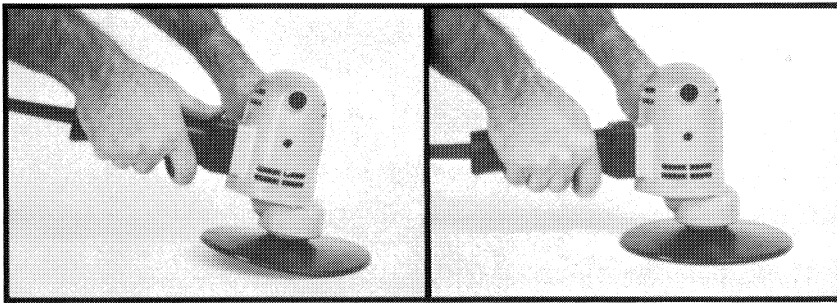
1. Position rubber pad in center of lamb's wool bonnet.
2. Pull draw strings until bonnet tightly covers rubber pad.
3. Securely tie draw strings and tuck ends under bonnet edge so they won't fly out when polisher is being used.

#### **ALTERNATE METHOD OF INSTALLING LAMB'S WOOL BUFF ON POLISHER**

You may prefer to remove the rubber pad for more convenient installation of the lamb's wool buff.

**CAUTION:** DISCONNECT SANDER FROM POWER SOURCE.

1. Hold polisher in left hand with rubber pad up.
2. Move right hand forward, away from body, striking outer edge (edge to your right) of rubber pad a smart blow to loosen it.
3. Remove rubber pad from spindle.
4. Position rubber pad in center of lamb's wool bonnet.
5. Pull draw strings until bonnet tightly covers rubber pad.
5. Securely tie draw strings and tuck ends under bonnet edge so they won't fly out when polisher is being used.
7. Thread rubber pad-bonnet assembly on spindle and firmly hand tighten.



**RIGHT**

Fig. 4

**WRONG**

### **CORRECT USE OF MACHINE**

For best results, tip the machine slightly with just enough pressure to bend the rubber pad. Grasp the control handle firmly and operate the machine freely without forced effort. Use long sweeping, back and forth motions. The auxiliary handle may be changed for either right or left hand use. Always hold the machine in a natural, comfortable position. Heavy pressure will slow the cutting action of the disc sander and the polishing actions of the polisher. Fig. 4, illustrates the right and wrong way of using your machine.

Do not hold the disc sander in one spot or use a circular motion as this will result in irregular surfaces.

When using the polisher to polish furniture, linoleum counters, etc., use a free motion in operating the machine. Let the weight of the machine do the work. To obtain maximum efficiency, the polisher should be tipped slightly with only enough pressure to bend the rubber pad to make the area of contact a segment rather than a complete circle.

### **TO CLEAN PILE FABRIC PAD AND LAMB'S WOOL BUFF**

Bufs or pads may become gummed up after a period of use. They may be washed out with soap and water. Shake out as much water as possible and then spin dry on machine. Do this in an area where you will not splatter articles.

After washing the lamb's wool buff, shake out as much water as possible and then spin it on the polisher. Leave it to dry tied on the rubber pad to prevent shrinkage of the lambskin.

### **SOME APPLICATIONS OF THE DISC SANDER**

Sand sills, sash, casings, doors and small floor areas. Prepare boats for refinishing. Remove old finish from hulls, decks, and surfaces. Remove old paint without the use of dangerous and messy paint removers. Fit sash and doors easily. Remove hard residue from vats, feed troughs, etc.

Remove old house paint. A paint remover attachment is available as an accessory for use with the disc sander. With this attachment, the amount of material to be removed can be controlled. See your Porter-Cable dealer for this and other tools and accessories.



## **SOME APPLICATIONS OF THE POLISHER**

The polisher may be used for polishing furniture, counter tops, cabinets, automobiles, urns, etc.

For cleaning and polishing automobiles, the following data is offered.

For this operation the following equipment is required:

Porter-Cable Polisher, Pile Fabric Pad, Lamb's Wool Buff and a can of liquid combination cleaner and polishing wax. (Be sure that this contains no abrasive, as many cleaners do.)

Wash car first, removing all dirt and grease. Car should be parked where it is not exposed to the sun. Shake liquid well and apply with soft cloth, rubbing gently and evenly over entire surface of car, working from the top, down.

Do not use the machine until the liquid has dried a few minutes and forms a white film. Attach pile fabric pad direct to rubber back-up pad. Starting at the top of the car, work down by floating the machine with just its own weight over the surface in long strokes. Do not try to remove all of the cleaner with the pile fabric pad. A little left in corners and around edges should be removed by hand or left for the lamb's wool buff.

For the final operation, remove the pile fabric pad and attach the lamb's wool buff over the rubber back-up pad. Center the buff on the pad and tie it as tightly as possible and tuck in the loops of the lacing so they will not fly out. A tightly tied buff is essential to balance and smooth operation. Go over entire car to bring finish to a high lustre.

The advantage of the machine lies not only in a great saving of time and energy, but in removal of old dirt and road film that hand methods cannot get off. In the case of surfaces that have not been cleaned for a long time, one operation may not suffice. If finish does not come up to a high lustre, repeat operation, using cleaner, pile fabric pad and buff.

Buffing may leave slight swirl marks or haze. This is quickly and easily brought to a brilliant lustre with a few flourishes of the polishing cloth by hand.

## **MAINTENANCE**

### **KEEP TOOL CLEAN**

Periodically blow out all air passages with compressed air. Remove built-up grime resulting from working green or sappy woods. All plastic parts should be cleaned with soft cloths. NOTE: Never use any solvents to clean plastic parts. Plastics can be easily damaged by such solvents.

**CAUTION:** Wear safety glasses while using compressed air.

### **FAILURE TO START**

Should your tool fail to start, check to make sure the prongs on the cord plug are making good contact in the outlet. Also, check for blown fuses or open circuit breakers in the line.

## **BRUSH INSPECTION AND LUBRICATION**

Do not attempt to tighten brush holder set screws which are located on top of the motor housing directly over the motor brushes. Should they appear loose, return tool to a Porter-Cable Service Center for repair.

However, periodically check to see that the black plastic brush caps on each side of motor housing are tight.

At approximately 100 hours of use, take or send your tool to your nearest Authorized Porter-Cable Service Station to be thoroughly cleaned and inspected; worn parts replaced, when necessary; re-lubricated with fresh lubricant, if required; reassembled with new brushes; and performance tested.

Any loss of power before the above maintenance check may indicate the need for immediate servicing of your tool. **DO NOT CONTINUE TO OPERATE TOOL UNDER THIS CONDITION.** If proper operating voltage is present, return your tool to the Service Station for immediate service.

## **SERVICE AND REPAIRS**

All quality tools will eventually require servicing or replacement of parts due to wear from normal use. These operations, including brush inspection and replacement, should **ONLY** be performed by either an **AUTHORIZED PORTER-CABLE SERVICE STATION** or a **PORTER-CABLE SERVICE CENTER**. All repairs made by these agencies are fully guaranteed against defective material and workmanship. We can not guarantee repairs made or attempted by anyone other than these agencies.

Should you have any questions about your tool, feel free to write us at any time. In any communications, please give all information shown on the nameplate of your tool (model number, type, serial number, etc.).

### **PORTER-CABLE LIMITED**

#### **ONE YEAR WARRANTY**

Porter-Cable warrants its Professional Power Tools for a period of one year from the date of original purchase. We will repair or replace at our option, any part or parts of the product and accessories covered under this warranty which examination proves to be defective in workmanship or material during the warranty period. For repair or replacement return the complete tool or accessory, transportation prepaid, to your nearest Porter-Cable Service Center or Authorized Service Station as listed under "TOOLS-ELECTRIC" in the Yellow Pages of your telephone directory. Proof of purchase may be required. This warranty does not apply to repair or replacement required due to misuse, abuse, normal wear and tear or repairs attempted or made by other than our Service Centers or Authorized Service Stations.

To obtain information on warranty performance please write to: PORTER-CABLE CORPORATION, 4825 Highway 45 North, P.O. Box 2468, Jackson, Tennessee 38302-2468; Attention: Product Service. The foregoing obligation is Porter-Cable's sole liability under this or any implied warranty and under no circumstances shall Porter-Cable be liable for any incidental or consequential damages. Some states do not allow limitations on how long an implied warranty lasts on the exclusion or limitation of incidental or consequential damages, so the above limitation or exclusion may not apply to you.

This warranty gives you specific legal rights and you may also have other legal rights which vary from state to state.

## ACCESSORIES

The testing of these tools has been accomplished with the use of the following accessories ONLY. For safest operation, it is recommended that ONLY these accessories be used with this product.

**WARNING** - Since accessories other than those listed have not been tested with this product, use of such accessories could be hazardous.

FOR DISC SANDER AND POLISHER	FOR POLISHER ONLY						
<p><b>No. 42321 Back-Up Pad</b>—For Models 304 and 305.</p> <p><b>No. 48000 Disc Retaining Nut</b>—For Models 304 and 305.</p> <p><b>No. 48233 Wrench</b>—For Models 304 and 305.</p> <p><b>No. 48273 Wrench</b>—For Models 304 and 305.</p>	<p><b>No. 54434 Cleaning Pad</b>—7" diameter pile fabric. For Model 305.</p> <p><b>No. 42352 Lambs Wool Buff</b>—8½" diameter. For Model 305.</p> <p><b>DELUXE LAMBS WOOL POLISHING PAD AND PILE FABRIC BUFFING PAD</b> Two new accessory items for the 7" Polisher . . . with rounded-up edges to prevent scoring.</p> <table border="1" style="width: 100%; border-collapse: collapse; margin-top: 10px;"> <thead> <tr> <th style="text-align: left;">Cat. No.</th> <th style="text-align: left;">Description</th> </tr> </thead> <tbody> <tr> <td>54433</td> <td>Lambs Wool Polishing Pad</td> </tr> <tr> <td>54435</td> <td>Pile Fabric Buffing Pad</td> </tr> </tbody> </table>	Cat. No.	Description	54433	Lambs Wool Polishing Pad	54435	Pile Fabric Buffing Pad
Cat. No.	Description						
54433	Lambs Wool Polishing Pad						
54435	Pile Fabric Buffing Pad						

FOR DISC SANDER ONLY	
<p><b>No. 5041 Power Paint Removing Attachment</b> — Easily attaches to Model 304 Disc Sander to make a super-efficient power paint remover. It will give fast, uniform controlled removal of old paint and other coatings from wood compositions and many other surfaces. Includes #36 grit tungsten carbide disc, back-up pad, 48235 retaining nut and 48233 wrench.</p>	<p><b>POWER PAINT REMOVER ACCESSORIES</b></p> <p><b>Tungsten Carbide Discs</b>—All 6" diameter.  <b>No. 18024</b> — #46 grit.  <b>No. 18027</b> — #36 grit.  <b>No. 18030</b> — #24 grit.</p> <p><b>No. 18018 Sponge Rubber Back-Up Pad.</b>  <b>No. 48235 Disc Retaining Nut.</b>  <b>No. 48233 Spanner Wrench for 48235 Nut.</b></p>

## PORTER-CABLE SERVICE CENTERS

Parts and Repair Service for Porter-Cable Power Tools are Available at These Locations

### ALABAMA

Birmingham 35209  
131 W. Oxmoor Rd.,  
Suite 105  
Phone: (205) 942-6325  
Fax: (205) 945-9615

### CALIFORNIA

City of Industry 91745 (Los Angeles)  
1305 John Reed Court  
Phone: (818) 333-3566  
Fax: (818) 330-5900

San Leandro 94577 (Oakland)  
3039 Teagarden Street  
Phone: (415) 357-9762  
Fax: (415) 357-7939

### COLORADO

Denver 80204  
2561 West 8th Avenue  
Phone: (303) 892-6113  
Fax: (303) 595-0358

### FLORIDA

Hialeah 33014 (Miami)  
16373-75 NW 57th Ave.  
Phone: (305) 624-2523  
Fax: (305) 628-2654

Tampa 33609  
4538 W. Kennedy Boulevard  
Phone: (813) 877-9585  
Fax: (813) 289-7948

Orlando 32803  
1807½ Winter Park Road  
Phone: (407) 644-8100  
Fax: (407) 740-5956

### GEORGIA

Forest Park 30050 (Atlanta)  
4017 Jonesboro Road  
Phone: (404) 363-8000  
Fax: (404) 363-3129

### ILLINOIS

Addison 60101 (Chicago)  
311 Laura Drive  
Phone: (708) 628-6100  
Fax: (708) 628-0023

### MARYLAND

Baltimore 21205  
4714 Erdman Avenue  
Phone: (301) 483-3100  
Fax: (301) 325-6934

Hyattsville 20781

4811 Kenilworth Avenue  
Phone: (301) 779-8080  
Fax: (301) 209-8421

### MASSACHUSETTS

Allston 02134 (Boston)  
414 Cambridge Street  
Phone: (617) 782-1700  
Fax: (617) 789-4232

### MICHIGAN

Grand Rapids 49508  
Broadmoor Business Center  
3755 G Broadmoor S.E.  
Phone: (616) 949-9040  
Fax: (616) 949-3164

Southfield 48075 (Detroit)  
18650 W. Eight Mile Road  
Phone: (313) 569-4333  
Fax: (313) 569-4337

### MINNESOTA

Minneapolis 55429  
4315 68th Avenue North  
Phone: (612) 561-9080  
Fax: (612) 561-0653

### MISSOURI

North Kansas City 64116  
1141 Swift Avenue  
P.O. Box 12393  
Phone: (816) 221-2070  
Fax: (816) 221-2897

St. Louis 63119

7574 Watson Road  
Phone: (314) 968-8950  
Fax: (314) 968-2790

### NEW JERSEY

Union 07083  
945 Ball Avenue  
Phone: (201) 964-1730  
Fax: (201) 688-6679

### NEW YORK

Flushing 11365-1595 (N.Y.C.)  
175-25 Horace Harding Expwy.  
Phone: (718) 225-2040  
Fax: (718) 423-9619

### NORTH CAROLINA

Charlotte 28209  
4303-B South Boulevard  
Phone: (704) 525-4410  
Fax: (704) 525-0618

### OHIO

Columbus 43214  
4560 Indianola Avenue  
Phone: (614) 263-0929  
Fax: (614) 263-1238

Cleveland 44125  
8001 Sweet Valley Dr.,  
Unit #18  
Phone: (216) 447-9030  
Fax: (216) 447-3097

### PENNSYLVANIA

Philadelphia 19154  
12285 McNully Road  
Phone: (215) 677-7800  
Fax: (215) 677-9908

### RHODE ISLAND

East Providence 02914  
1009 Waterman Avenue  
Phone: (401) 434-3620  
Fax: (401) 431-9277

### TEXAS

Dallas 75220  
10714 N. Stemmons Freeway  
Phone: (214) 353-2996  
Fax: (214) 350-3943

Houston 77092

5201 Mitchelldale B-9  
Phone: (713) 682-0334  
Fax: (713) 682-4867

### WASHINGTON

Renton 98055 (Seattle)  
268 Southwest 43rd Street  
Phone: (206) 251-6680  
Fax: (206) 251-9337

### WISCONSIN

Milwaukee 53222  
10700 W. Burleigh Street  
Phone: (414) 774-3650  
Fax: (414) 774-3653

Authorized Service Stations are located in all large cities. For the one nearest you, see the classified section in your phone book (under "Tools-Electric").

## DELTA SERVICE CENTRES

## (CENTRES D'ENTRETIEN DELTA)

### ALBERTA

#10 6320 11th Street S.E.  
Calgary, Alberta  
T2H 2L7  
Phone: (403) 255-3530  
Fax: (403) 258-0767

10632 169th Street  
Edmonton, Alberta  
T5P 3X6  
Phone: (403) 489-5587  
Fax: (403) 489-0465

### BRITISH COLUMBIA

45 West 7th Avenue  
Vancouver, B.C.  
V5Y 1L4  
Phone: (604) 879-8622  
Fax: (604) 879-4594

### MANITOBA

1699 Dublin Avenue  
Winnipeg, Manitoba  
R3H 0H2  
Phone: (204) 633-9259  
Fax: (204) 632-1976

### ONTARIO

644 Imperial Road  
Guelph, Ontario  
N1H 6M7  
Phone: (519) 836-2840  
Fax: (519) 836-9352

6463 Northam Drive  
Mississauga, Ontario  
L4V 1J2  
Phone: (416) 677-5330  
(416) 677-5332  
Fax: (416) 677-3728

851 Richmond Road  
Ottawa, Ontario  
K2A 3X2  
Phone: (613) 728-1124  
(613) 728-4535  
Fax: (613) 728-9208

### QUÉBEC

523 Rue Deslauriers  
St. Laurent, (Montreal) P.Q.  
H4N 1W2  
Phone: (514) 336-8772  
Fax: (514) 336-3505

Suite 202  
2022 Rue Lavoisier  
Ste. Foy, Quebec, Quebec  
G1N 4L5  
Phone: (418) 681-7305  
Fax: (418) 681-1695

Authorized Service Stations are located in many large cities. For the one nearest you, see the classified section in your phone book (under "Tools-Electric").

PORTER-CABLE®, HAMMER-HEAD®, OMNIJIG®, PORTA-BAND®, PORTA-PLANE®,  
VERSA-PLANE®, SAW BOSS®, SPEED-BLOC®, SPEEDMATIC®, SPEEDTRONIC®,  
STAIR-EASE®, STUB-RITE®, DURATRONIC™, MICRO-SET™, MORTEN™,  
PRODUCTION CLASS™, TIGER™ SAW, TIGER CUB™, TRU-MATCH™ are trademarks  
of Porter-Cable Corporation.

Copyright© 1990 Porter-Cable Corporation

Printed in U.S.A.