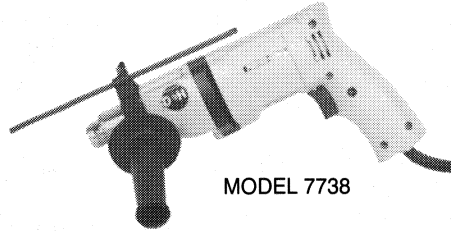
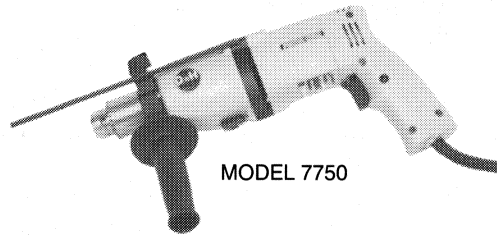


Double Insulated Hammer - Drills

Instruction manual



MODEL 7738



MODEL 7750

IMPORTANT

Please make certain that the person who is to use this equipment carefully reads and understands these instructions before starting operations.

The Model and Serial No. plate is located on the main housing of the tool. Record these numbers in the spaces below and retain for future reference.

Model No. _____

Type _____

Serial No. _____

PORTER+CABLE
PROFESSIONAL POWER TOOLS

Part No. 698573-1912

IMPORTANT SAFETY INSTRUCTIONS

WARNING: When using electric tools, basic safety precautions should always be followed to reduce the risk of fire, electric shock and personal injury, including the following:

READ AND FOLLOW ALL INSTRUCTIONS.

There are certain applications for which this tool was designed. Porter-Cable strongly recommends that this tool NOT be modified and/or used for any application other than for which it was designed. If you have any questions relative to its application DO NOT use the tool until you have written Porter-Cable and we have advised you.

Manager of Product Engineering
Porter-Cable Corporation
4825 Highway 45 North
P.O. Box 2468
Jackson, TN 38302-2468

1. **KEEP WORK AREA CLEAN.** Cluttered areas and benches invite injuries.
2. **AVOID DANGEROUS ENVIRONMENT.** Don't expose power tools to rain. Don't use power tools in damp or wet locations. Keep area well lit. Avoid chemical or corrosive environment. Do not use tool in presence of flammable liquids or gases.



THIS SYMBOL DENOTES DO NOT EXPOSE TO RAIN
OR USE IN DAMP LOCATIONS

CE SIGNE EST L'INDICATION DE NE PAS EXPOSER
A LA PLUIE ET NE PAS UTILISER DANS LES EMPLACEMENTS
HUMIDES

3. **GUARD AGAINST ELECTRIC SHOCK.** Prevent body contact with grounded surfaces. For example: pipes, radiators, ranges, refrigerator enclosures.
4. **KEEP CHILDREN AWAY.** Do not let visitors contact tool or extension cord. All visitors should be kept away from work area.
5. **STORE IDLE TOOLS.** When not in use, tools should be stored in dry, and high or locked-up place — out of the reach of children.
6. **DON'T FORCE TOOL.** It will do the job better and safer at the rate for which it was intended.
7. **USE RIGHT TOOL.** Don't force small tool or attachment to do the job of a heavy duty tool. Don't use tool for purpose not intended—for example—do not use a circular saw for cutting tree limbs or logs.
8. **DRESS PROPERLY.** Do not wear loose clothing or jewelry. Loose clothing, draw strings and jewelry can be caught in moving parts. Rubber gloves and non-skid footwear are recommended when working outdoors. Wear protective hair covering to contain long hair.
9. **USE SAFETY GLASSES.** Wear safety glasses or goggles while operating power tools. Also face or dust mask if operation creates dust. All persons in the area where power tools are being operated should also wear safety glasses and face or dust mask.
10. **DON'T ABUSE CORD.** Never carry tool by cord or yank it to disconnect from receptacle. Keep cord from heat, oil, and sharp edges.

Have damaged or worn power cord and strain reliever replaced immediately. DO NOT ATTEMPT TO REPAIR POWER CORD.

11. SECURE WORK. Use clamps or a vise to hold work. It's safer than using your hand and it frees both hands to operate tool.

12. DON'T OVERREACH. Keep proper footing and balance at all times.

13. MAINTAIN TOOLS WITH CARE. Keep tools sharp and clean for better and safer performance. Follow instructions for lubricating and changing accessories. Inspect tool cords periodically and if damaged, have repaired by authorized service facility. Inspect extension cords periodically and replace if damaged. Have all worn, broken or lost parts replaced immediately. Keep handles dry, clean and free from oil and grease.

14. DISCONNECT TOOLS. When not in use, before servicing, and when changing accessories such as blades, bits, cutters, etc.

15. REMOVE ADJUSTING KEYS AND WRENCHES. Form habit of checking to see that keys and adjusting wrenches are removed from the tool before turning it on.

16. AVOID UNINTENTIONAL STARTING. Do not carry a plugged-in tool with finger on switch. Be sure switch is off when plugging in. Keep hands, body and clothing clear of blades, bits, cutters, etc. when plugging in the tool.

17. OUTDOOR USE EXTENSION CORDS. When tool is used outdoors, use only extension cords marked "Suitable for use with outdoor appliances - store indoors when not in use."

18. STAY ALERT. Watch what you are doing. Use common sense. Do not operate tool when you are tired or while under the influence of medication, alcohol or drugs.

19. CHECK DAMAGED PARTS. Before further use of the tool, a guard or other part that is damaged should be carefully checked to determine that it will operate properly and perform its intended function. Check for alignment of moving parts, binding of moving parts, breakage of parts, mounting, and any other conditions that may affect its operation. A guard or other part that is damaged should be properly repaired or replaced by an authorized service center unless otherwise indicated elsewhere in this instruction manual. Have defective switches replaced by authorized service center. Do not use tool if switch does not turn it on and off.

20. WEAR EAR PROTECTION to safeguard against possible hearing loss.

SAVE THESE INSTRUCTIONS

ADDITIONAL SAFETY RULES FOR HAMMER-DRILLS

1. ALWAYS use auxiliary handle to prevent injury that may result from loss of control because of high rotational force.

2. ALWAYS hold drill by BOTH the auxiliary handle and pistol grip handle to prevent accidental electrical shock resulting from cutting a live wire when drilling into a wall or other blind areas. See Fig. 6 for illustration on how to hold drill.

3. **APPLY** force ONLY on pistol grip handle when drilling. Use auxiliary handle to resist rotational force.

4. **DO NOT** use bits larger than those recommended. They may cause personal injury due to jamming and loss of control. Large bits may also overload the drill and damage the motor and gears.

5. **USE** only the chuck key to tighten or loosen the chuck.

6. **VERIFY** that the mode selecting knob, the speed shift knob, and the reversing switch are in correct positions for the operation being performed.

7. **NEVER** hold work in hand, lap, or against other parts of the body when drilling or hammer-drilling; to avoid injury from contact with the drill bit.

8. **USE** only percussion type carbide-tipped bits when hammer-drilling.

9. **ALWAYS** wear ear protectors and safety glasses when hammer-drilling.

10. **DO NOT** attempt to cut through reinforcing rods with percussion type bits.

11. **SHOULD** the drill bit become jammed in the work, release switch trigger immediately to prevent personal injury. Disconnect the drill from the power circuit and remove the drill bit from the work. Do not attempt to free the stalled bit by starting and stopping the motor. This could result in bodily injury.

MOTOR

Many Porter-Cable tools will operate on either D.C., or single phase 25 to 60 cycle A.C. current and voltage within plus or minus 5 percent of that shown on the specification plate on the tool. Several models, however, are designed for A.C. current only. Refer to the specification plate on your tool for proper voltage and current rating.

CAUTION: Do not operate your tool on a current on which the voltage is not within correct limits. Do not operate tools rated A.C. only on D.C. current. To do so may seriously damage the tool.

EXTENSION CORD SELECTION

If an extension cord is used, make sure the conductor size is large enough to prevent excessive voltage drop which will cause loss of power and possible motor damage. A table of recommended extension cord sizes will be found below. This table is based on limiting line voltage drop to 5 volts (10 volts for 230 volts) at 150% of rated amperes.

If an extension cord is to be used outdoors it must be marked with the suffix W-A following the cord type designation. For example — SJTW-A to indicate it is acceptable for outdoor use.

RECOMMENDED EXTENSION CORD SIZES FOR USE WITH PORTABLE ELECTRIC TOOLS

		Length of Cord in Feet									
		115V	25 Ft.	50 Ft.	100 Ft.	150 Ft.	200 Ft.	250 Ft.	300 Ft.	400 Ft.	500 Ft.
		230V	50 Ft.	100 Ft.	200 Ft.	300 Ft.	400 Ft.	500 Ft.	600 Ft.	800 Ft.	1000 Ft.
Nameplate Ampere Rating	0-2	18	18	18	16	16	14	14	12	12	
	2-3	18	18	16	14	14	12	12	10	10	
	3-4	18	18	16	14	12	12	10	10	8	
	4-5	18	18	14	12	12	10	10	8	8	
	5-6	18	16	14	12	10	10	8	8	6	
	6-8	18	16	12	10	10	8	6	6	6	
	8-10	18	14	12	10	8	8	6	6	4	
	10-12	16	14	10	8	8	6	6	4	4	
	12-14	16	12	10	8	6	6	6	4	2	
	14-16	16	12	10	8	6	6	4	4	2	
	16-18	14	12	8	8	6	4	4	2	2	
18-20	14	12	8	6	6	4	4	2	2		

REPLACEMENT PARTS

When servicing use only identical replacement parts.

OPERATING INSTRUCTIONS

FOREWORD

Your Porter-Cable Hammer-Drill is designed to drill holes of various sizes in steel and concrete as indicated in the following chart.

MODEL	SPEED	MATERIAL	MAX. HOLE DIA.
7738	0-1000 rpm	Steel	3/8"
		Concrete	1/2"
7750	0-1000 rpm	Steel	1/2"
		Concrete	3/4"
	0-2500 rpm	Steel	5/16"
		Concrete	3/8"

INSTALLING AND REMOVING DRILL BITS

- CAUTION:** Make sure drill is disconnected from power source.
- The three-jaw chuck is designed for self-centering of the drill bit. Open jaws large enough by turning outer sleeve counterclockwise, when viewing the chuck from the bit end, so that bit shank can be inserted easily.

3. Clean and insert smooth end of drill bit as far as it will go into the chuck, or up to the flutes for small bits.
 4. While holding the bit with one hand, turn outer sleeve clockwise until the bit is gripped in the chuck.
 5. Tighten chuck - insert chuck key into each of 3 keyholes in chuck body (Fig. 1) in succession and tighten securely by turning key clockwise.
- CAUTION** - Be sure chuck key is removed before starting tool.
6. To remove bit, reverse foregoing procedure.

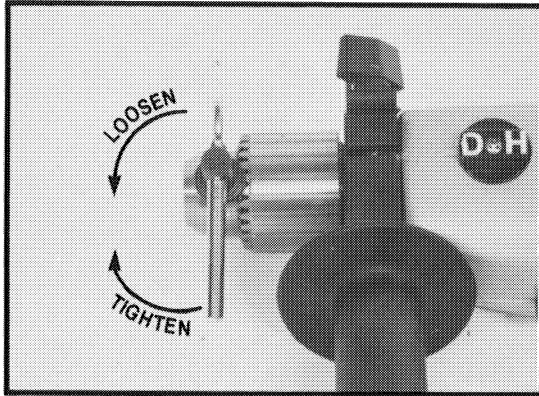


Fig. 1

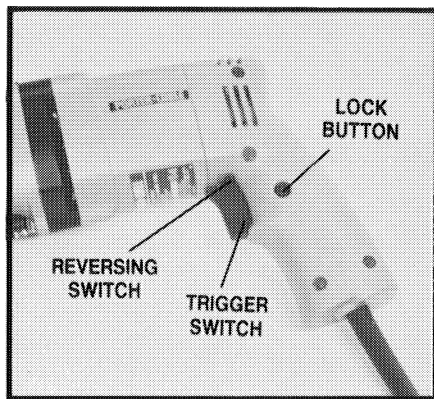


Fig. 2

TO START AND STOP DRILL

Familiarize yourself with the drill's controls before connecting the drill to a power source.

CAUTION: Be sure drill is disconnected from power source.

1. Squeeze TRIGGER SWITCH (Fig. 2) to start motor. Release trigger to stop motor. As the trigger switch is squeezed the drill speed increases.

2. **LOCK BUTTON** - A lock button is provided to keep the motor running without holding the trigger switch ON. To lock the trigger switch ON, squeeze the trigger as far as it will go, push in lock button and release trigger.

To unlock lock button, squeeze trigger and release, leaving lock button free to spring out.

NOTE: The lock button can be engaged only when the drill is running at maximum speed.

CAUTION: Never use the lock button where drill may have to be stopped suddenly.

3. **REVERSING SWITCH** - Some models are provided with a reversing switch located as indicated in Fig. 2. These models will operate in either the forward direction (clockwise rotation) for drilling holes, or the reverse direction (counterclockwise rotation) for releasing jammed drill bits. For counterclockwise rotation, stop the motor by releasing the trigger switch and move the reversing switch toward the right side of the drill, or in the opposite direction for clockwise rotation.

NOTE: Never attempt to change direction of rotation while switch is "ON". To do so, may damage interlock feature built into switch. Be sure switch is "OFF" and motor has completely stopped before changing direction of rotation.

4. Connect drill to power circuit. Make sure power circuit voltage is the same as that shown on the specification plate of the drill.

CAUTION: Be sure switch is "OFF" before connecting drill to power circuit.

5. Operate drill as instructed above.

DRILLING OR HAMMER-DRILLING

By rotating the mode selecting knob (A) Fig. 3, in either direction (clockwise or counterclockwise) the mode of operation may be selected. When the

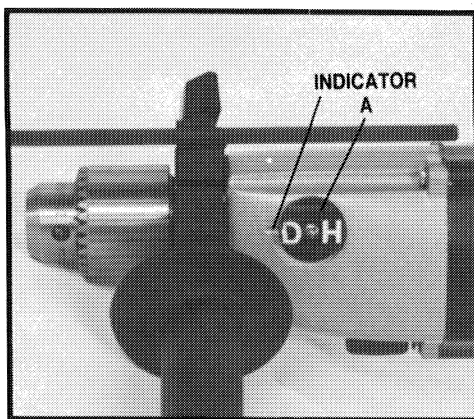


Fig. 3

“D” is towards the indicating mark on the gear case, the drill is in the drilling mode. When the “H” is towards the indicating mark, the drill is in the hammering mode. Mode of operation may be changed when the drill is running.

TWO SPEED GEAR SHIFT

The Model 7750 Hammer-Drill has a two speed gear shift which provides a high speed of approximately 2500 RPM and a low speed of approximately 1000 rpm (stated speeds are with the trigger switch in “Full-On” position).

CAUTION: Be sure drill is disconnected from power source.

For high speed operation, rotate speed selecting knob (A) Fig. 4, clockwise aligning “H” with indicating mark on the gear case. For low speed operation rotate knob counterclockwise aligning “L” with the indicating mark. It may be necessary to rotate the chuck by hand while rotating knob.

DO NOT SHIFT SPEEDS WHILE TOOL IS RUNNING.

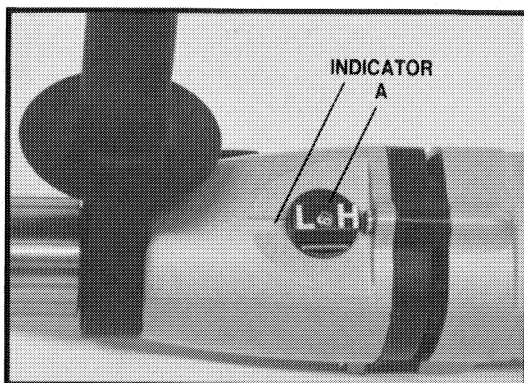


Fig. 4

ASSEMBLING AUXILIARY HANDLE

An auxiliary handle (B) Fig. 5 is provided.

WARNING: This auxiliary handle must be used and held as illustrated in Fig. 6 to resist rotational force and to prevent accidental electrical shock, resulting from cutting a live wire when drilling into a wall or other blind areas. It is strongly recommended that the auxiliary handle be used during all drilling operations.

CAUTION: Be sure drill is disconnected from power source.

1. Insert square nut (A) Fig. 5, into recess in auxiliary handle (B).
2. Position clamping plate (C) on auxiliary handle with serrations over hex opening.
3. Insert clamping screw (D) through clamping plate, auxiliary handle and thread into nut (A). Do not tighten.
4. Slide auxiliary handle assembly over chuck and onto front of gear case.
5. Locate handle in desired position and align recesses in handle to engage bosses on gear case. Handle may be located in any one of 12 positions 360° around gear case.
6. Tighten clamping screw (D) securely.

INSTALLING AND ADJUSTING DEPTH GAGE

CAUTION: Be sure drill is disconnected from power source.

1. Loosen clamping screw (D) Fig. 5.
2. Insert depth rod (E) Fig. 5 through hole in auxiliary handle being sure serrations of rod engage serrations on clamping plate (C).

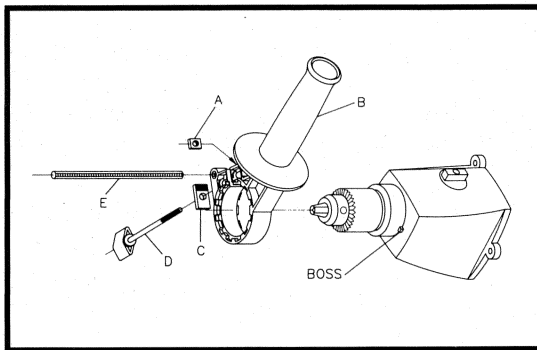


Fig. 5

3. Tighten clamping screw (D) securely to retain both auxiliary handle and depth gage.
4. Install a drill bit as instructed in INSTALLING AND REMOVING DRILL BITS.
5. Loosen clamping screw (D) Fig. 5 and adjust depth gage so that the distance from the end of the depth gage to the tip of the drill bit is equal to the desired depth of hole.
NOTE: If depth gage interferes with drill housing, remove auxiliary handle from gear case, turn it over and reassemble.
6. Tighten clamping screw (D) securely.

HOW TO HOLD THE HAMMER-DRILL

WARNING: The front end of the drill may be made live if tool drills into live wiring in a wall. TO PREVENT ACCIDENTAL ELECTRICAL SHOCK, DRILL MUST BE HELD AS SHOWN IN FIG. 6.

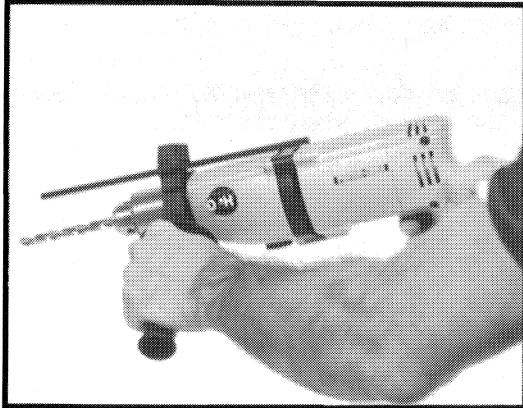


Fig. 6

HOW TO USE THE HAMMER-DRILL

1. Drilling Concrete - Use carbide-tipped masonry bits only. Be sure drill is securely gripped in the chuck and the mode selecting knob is in the "hammer mode" position. Adjust "depth gage rod" for desired depth. Start drill by squeezing the trigger. Place tip of bit in contact with work and apply steady firm pressure.

Avoid allowing Hammer-Drill to bounce or "dance" under its own weight. This could result in damage to both the drill bit and the Hammer-Drill.

CAUTION: Extreme care should be taken in the event bit should become jammed in the hole so that drill can be stopped immediately. See Additional Safety Rule, Number 11.

2. Drilling Wood - Be sure drill bit is securely gripped in the chuck and the mode selecting knob is in the "drill mode" position. Make sure work is held securely in a vise or clamped in place prior to starting drilling operation.

CAUTION: Loose work may spin and cause bodily injury.

Start drill by squeezing trigger. Place tip of drill in contact with work and apply pressure. When using twist drills in wood, they should be withdrawn from hole frequently to clear chips built up in flutes to avoid

overheating and burning work. Reduce the pressure on the drill just before the bit cuts through the work to avoid splintering wood.

If a backing block is used to keep back of wood from splintering, it should be clamped securely in place. If a backing is not used with spade bits or hole saws, ease up pressure as soon as bit point breaks through work and complete hole from opposite side.

3. Drilling Metal - Use only good quality high speed steel twist drills. Be sure drill bit is securely gripped in the chuck and the mode selecting knob is in the "drill mode" position. Make sure work is held securely in a vise or clamped in place prior to starting drilling operation.

CAUTION: Loose work may spin and cause bodily injury.

For easy starting and to keep drill bit from "walking", use a center punch to make a small impression in the metal. Start drill by squeezing trigger. Place tip of drill bit in impression and exert only enough pressure to keep bit cutting.

CAUTION: DO NOT FORCE. Too much pressure may cause bit to break or overheat resulting in bodily injury or damaged drill bits. Too little pressure will keep the bit from cutting and dull the edges due to excessive friction created by sliding over the surface.

When drilling a large hole, it is easier to first drill a smaller hole and then enlarge it to the required size. The use of a lubricant, such as oil, on the drill point helps keep the bit cool, increases drilling action and prolongs drill bit life.

MAINTENANCE

KEEP TOOL CLEAN

Periodically blow out all air passages with compressed air. All plastic parts should be cleaned with soft cloths. NEVER use solvents when cleaning plastic parts. They could possibly dissolve or otherwise damage the material.

CAUTION: Wear safety glasses when using compressed air to blow out air passages.

FAILURE TO START

Should your tool fail to start, check to make sure the prongs on the cord plug are making good contact in the outlet. Also, check for blown fuses or open circuit breakers in the line.

BRUSH INSPECTION AND LUBRICATION

CAUTION: For your continued safety and electrical protection, brush inspection and replacement on this tool should **ONLY** be performed by an **AUTHORIZED PORTER-CABLE SERVICE STATION** or a **PORTER-CABLE SERVICE CENTER**.

At approximately 100 hours of use, take or send your tool to your nearest Authorized Porter-Cable Service Station to be thoroughly cleaned and inspected; worn parts replaced, when necessary; relubricated with fresh lubricant, if required; reassembled with new brushes; and performance tested.

Any loss of power before the above maintenance check may indicate the need for immediate servicing of your tool. **DO NOT CONTINUE TO OPERATE TOOL UNDER THIS CONDITION.** If proper operating voltage is present, return your tool to the Service Station for immediate service.

SERVICE AND REPAIRS

All quality tools will eventually require servicing or replacement of parts due to wear from normal use. These operations, including brush inspection and replacement, should **ONLY** be performed by either an **AUTHORIZED PORTER-CABLE SERVICE STATION** or a **PORTER-CABLE SERVICE CENTER**. All repairs made by these agencies are fully guaranteed against defective material and workmanship. We can not guarantee repairs made or attempted by anyone other than these agencies.

Should you have any questions about your tool, feel free to write us at any time. In any communications, please give all information shown on the nameplate of your tool (model number, type, serial number, etc.)

ACCESSORIES

The testing of this tool has been accomplished with the following accessories. For safest operation, it is recommended that only these accessories be used with this product. Select accessories which are within the capacity of your drill as specified in the FOREWORD section of this manual.

TWIST DRILLS

PERCUSSION TYPE CARBIDE TIPPED DRILLS

MODELS 7738 and 7750 may be used to install TAP-CON® Fasteners.
Follow the Fastener Manufacturer's Instructions.

© TAP-CON is a registered trademark of the Buildex Division of I.T.W.

**PORTER-CABLE LIMITED
ONE YEAR WARRANTY**

Porter-Cable warrants its Professional Power Tools for a period of one year from the date of original purchase. We will repair or replace at our option, any part or parts of the product and accessories covered under this warranty which examination proves to be defective in workmanship or material during the warranty period. For repair or replacement return the complete tool or accessory, transportation prepaid, to your nearest Porter-Cable Service Center or Authorized Service Station as listed under "TOOLS-ELECTRIC" in the Yellow Pages of your telephone directory. Proof of purchase may be required. This warranty does not apply to repair or replacement required due to misuse, abuse, normal wear and tear or repairs attempted or made by other than our Service Centers or Authorized Service Stations.

To obtain information on warranty performance please write to: PORTER-CABLE CORPORATION, 4825 Highway 45 North, P.O. Box 2468, Jackson, Tennessee 38302-2468; Attention: Product Service. The foregoing obligation is Porter-Cable's sole liability under this or any implied warranty and under no circumstances shall Porter-Cable be liable for any incidental or consequential damages. Some states do not allow limitations on how long an implied warranty lasts on the exclusion or limitation of incidental or consequential damages, so the above limitation or exclusion may not apply to you.

This warranty gives you specific legal rights and you may also have other legal rights which vary from state to state.

PORTER-CABLE SERVICE CENTERS

Parts and Repair Service for Porter-Cable Power Tools are Available at These Locations

ALABAMA

Birmingham 35209
131 W. Oxmoor Rd.,
Suite 105
Phone: (205) 942-6325
Fax: (205) 945-9615

CALIFORNIA

City of Industry 91745 (Los Angeles)
1305 John Reed Court
Phone: (818) 333-3566
Fax: (818) 330-5900

San Leandro 94577 (Oakland)
3039 Teagarden Street
Phone: (415) 357-9762
Fax: (415) 357-7939

COLORADO

Denver 80204
2561 West 8th Avenue
Phone: (303) 892-6113
Fax: (303) 595-0358

FLORIDA

Hialeah 33014 (Miami)
16373-75 NW 57th Ave.
Phone: (305) 624-2523
Fax: (305) 628-2654

Tampa 33609
4538 W. Kennedy Boulevard
Phone: (813) 877-9585
Fax: (813) 289-7948

GEORGIA

Morrow 30260 (Atlanta)
1286 Citizens Parkway
Suite C
Phone: (404) 961-0900
Fax: (404) 961-8624

ILLINOIS

Addison 60101 (Chicago)
311 Laura Drive
Phone: (708) 628-6100
Fax: (708) 628-0023

MARYLAND

Baltimore 21227
7397 Washington Blvd.
Suite #102
Phone: (410) 799-9394
Fax: (410) 799-9398

MASSACHUSETTS

Franklin 02038
Franklin Industrial Park
101 E Constitution Blvd.
Phone: (508) 520-8802
Fax: (508) 528-8089

MICHIGAN

Grand Rapids 49508
Broadmoor Business Center
3755 G Broadmoor S.E.
Phone: (616) 949-9040
Fax: (616) 949-3164

Southfield 48075 (Detroit)
18650 W. Eight Mile Road
Phone: (313) 569-4333
Fax: (313) 569-4337

MINNESOTA

Minneapolis 55429
4315 68th Avenue North
Phone: (612) 561-9080
Fax: (612) 561-0653

MISSOURI

North Kansas City 64116
1141 Swift Avenue
P.O. Box 12393
Phone: (816) 221-2070
Fax: (816) 221-2897

St. Louis 63119
7574 Watson Road
Phone: (314) 968-8950
Fax: (314) 968-2790

NEW JERSEY

Union 07083
945 Ball Avenue
Phone: (908) 964-1730
Fax: (908) 688-6679

NEW YORK

Flushing 11365-1595 (N.Y.C.)
175-25 Horace Harding Expwy.
Phone: (718) 225-2040
Fax: (718) 423-9619

NORTH CAROLINA

Charlotte 28209
4303-B South Boulevard
Phone: (704) 525-4410
Fax: (704) 525-0618

OHIO

Columbus 43214
4560 Indianola Avenue
Phone: (614) 263-0929
Fax: (614) 263-1238

Cleveland 44125
8001 Sweet Valley Dr.,
Unit #18
Phone: (216) 447-9030
Fax: (216) 447-3097

PENNSYLVANIA

Philadelphia 19154
12285 McNulty Road
Phone: (215) 677-7800
Fax: (215) 677-9908

TEXAS

Dallas 75220
10720 N. Stemmons Freeway
Phone: (214) 353-2996
Fax: (214) 350-3943

HOUSTON

Houston 77092
5201 Mitchelldale B-9
Phone: (713) 682-0334
Fax: (713) 682-4867

WASHINGTON

Renton 98055 (Seattle)
268 Southwest 43rd Street
Phone: (206) 251-6680
Fax: (206) 251-9337

WISCONSIN

Milwaukee 53222
10700 W. Burleigh Street
Phone: (414) 774-3650
Fax: (414) 774-3653

Authorized Service Stations are located in all large cities. For the one nearest you, see the classified section in your phone book (under "Tools-Electric").

DELTA SERVICE CENTRES (CENTRES D'ENTRETIEN DELTA)

ALBERTA

#10 6320 11th Street S.E.
Calgary, Alberta
T2H 2L7
Phone: (403) 255-3530
Fax: (403) 258-0767

10632 169th Street
Edmonton, Alberta
T5P 3X6
Phone: (403) 489-5587
Fax: (403) 489-0465

BRITISH COLUMBIA

45 West 7th Avenue
Vancouver, B.C.
V5Y 1L4
Phone: (604) 879-8622
Fax: (604) 879-4594

MANITOBA

1699 Dublin Avenue
Winnipeg, Manitoba
R3H 0H2
Phone: (204) 633-9259
Fax: (204) 632-1976

ONTARIO

644 Imperial Road
Guelph, Ontario
N1H 6M7
Phone: (519) 836-2840
Fax: (519) 836-9352

6463 Northam Drive
Mississauga, Ontario
L4V 1J2
Phone: (416) 677-5330
(416) 677-5332
Fax: (416) 677-3728

851 Richmond Road
Ottawa, Ontario
K2A 3X2
Phone: (613) 728-1124
(613) 728-4535
Fax: (613) 728-9208

QUÉBEC

523 Rue Deslauriers
St. Laurent, (Montreal) P.Q.
H4N 1W2
Phone: (514) 336-8772
Fax: (514) 336-3505

Suite 202
2022 Rue Lavoisier
Ste. Foy, Quebec, Quebec
G1N 4L5
Phone: (418) 681-7305
Fax: (418) 681-1695

Authorized Service Stations are located in many large cities. For the one nearest you, see the classified section in your phone book (under "Tools-Electric").

PORTER-CABLE®, HAMMER-HEAD®, OMNIJIG®, PORTA-BAND®, PORTA-PLANE®,
VERSA-PLANE®, SAW BOSS®, SPEED-BLOC®, SPEEDMATIC®, SPEEDTRONIC®,
STAIR-EASE®, STUB-RITE®, DURATRONIC™, MICRO-SET™, MORTEN™,
PRODUCTION CLASS™, TIGER™ SAW, TIGER CUB™, TRU-MATCH™ are trademarks
of Porter-Cable Corporation.

Copyright © 1991 Porter-Cable Corporation

Printed in U.S.A.