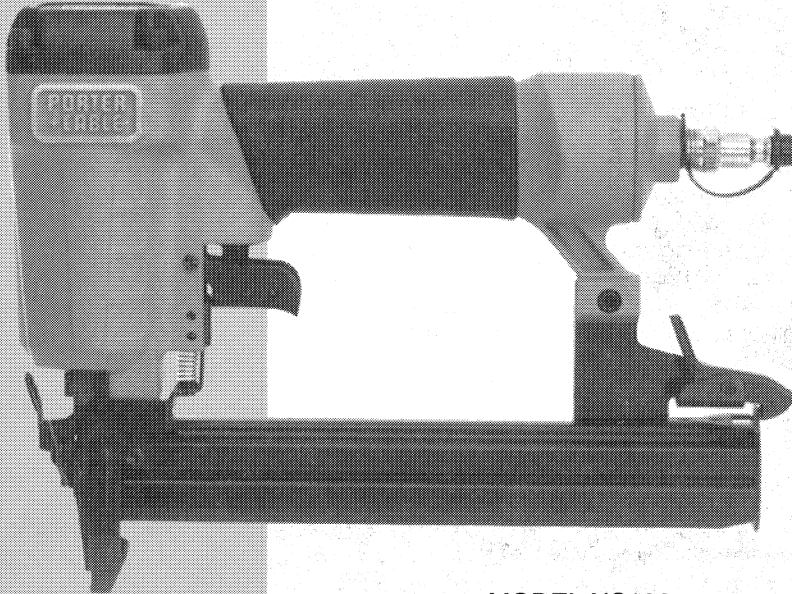


Instruction
manual

NARROW CROWN STAPLER



MODEL NS100

IMPORTANT

Please make certain that the person who is to use this equipment carefully reads and understands these instructions before starting operations.

The Model and Serial No. plate is located on the main housing of the tool. Record these numbers in the spaces below and retain for future reference.

Model No. _____

Type _____

Serial No. _____

Part No. 892256-992

To learn more about Porter-Cable
visit our website at:

<http://www.porter-cable.com>

PORTER-CABLE
PROFESSIONAL POWER TOOLS

IMPORTANT SAFETY INSTRUCTIONS

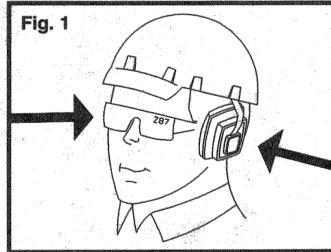
WARNING: When using pneumatic tools, basic safety precautions should always be followed to reduce the risk of personal injury, including the following:

READ AND FOLLOW ALL INSTRUCTIONS.

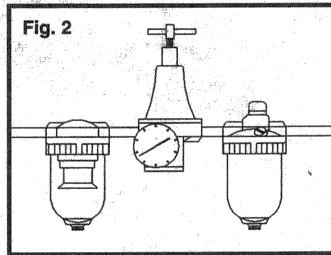
There are certain applications for which this tool was designed. Porter-Cable strongly recommends that this tool NOT be modified and/or used for any application other than for which it was designed. If you have any questions relative to its application DO NOT use the tool until you have written Porter-Cable and we have advised you.

Technical Service Manager
Porter-Cable Corporation
4825 Highway 45 North
P. O. Box 2468
Jackson, TN 38302-2468

1. USE SAFETY GLASSES. To prevent eye injuries, the tool operator and all persons in the work area must wear safety glasses with permanently attached, rigid, plastic side shields. These safety glasses must conform to ANSI Z87.1 requirements (approved glasses have "Z87" printed or stamped on them).

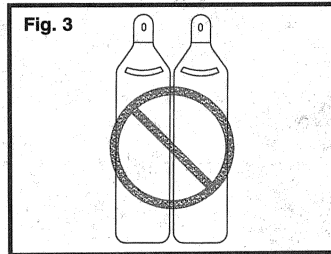


2. WEAR EAR PROTECTION to safeguard against possible hearing loss.



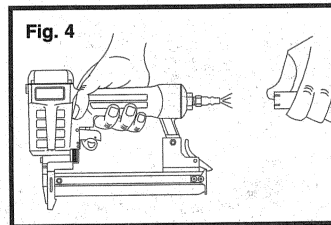
3. USE CLEAN, DRY, REGULATED compressed air at 70 to 120 PSI.

4. DO NOT CONNECT TOOL TO pressure which potentially exceeds 200 PSI (13.7 BAR).



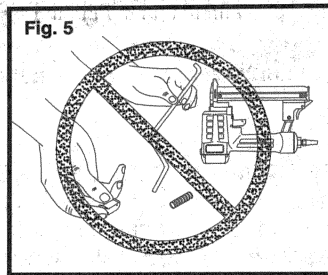
5. ONLY USE AIR HOSE THAT IS RATED for a minimum working pressure of 150 PSI or 150% of the maximum system pressure, whichever is greater.

6. NEVER USE OXYGEN, CARBON DIOXIDE, combustible gases or any other bottled gas as a power source for this tool: explosion and serious personal injury could result.

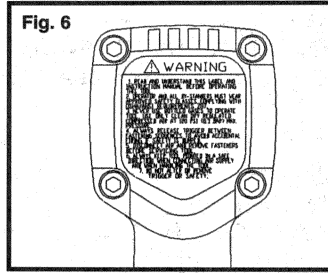


7. CONNECT TOOL TO AIR SUPPLY HOSE with a coupling that removes all pressure from the tool when the coupling is disconnected.

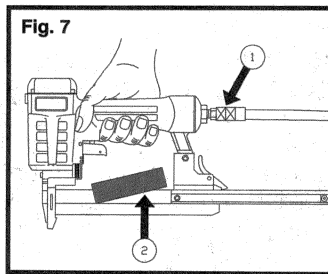
8. DISCONNECT TOOL FROM AIR SUPPLY HOSE before doing tool maintenance, clearing a jammed fastener, leaving work area, moving tool to another location, or handing the tool to another person.



9. NEVER USE A TOOL that is leaking air, has missing or damaged parts, or requires repair. Make sure all screws and caps are securely tightened.

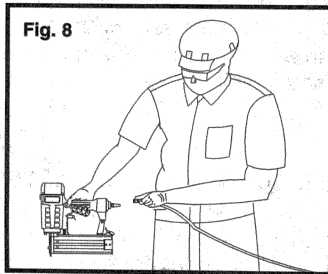


10. NEVER USE TOOL IF SAFETY, trigger or springs are inoperable, missing or damaged. Do not alter or remove safety, trigger, or springs. Make daily inspections for free movement of trigger and safety mechanism.

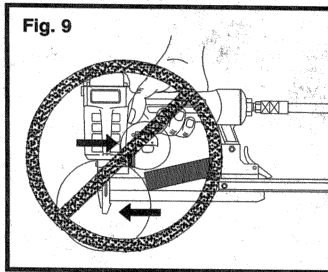


11. DO NOT USE TOOL WITHOUT SAFETY WARNING LABEL. If label is missing, damaged or unreadable, contact your Porter-Cable Service Center for a replacement.

12. ONLY USE PARTS, FASTENERS, AND ACCESSORIES recommended by Porter-Cable.

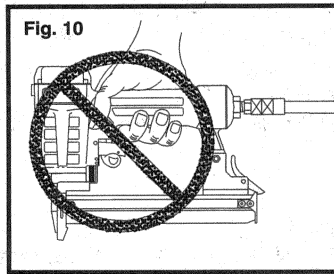


13. CONNECT TOOL TO AIR SUPPLY BEFORE loading fasteners, to prevent a fastener from being fired during connection. The tool driving mechanism may cycle when tool is connected to the air supply.

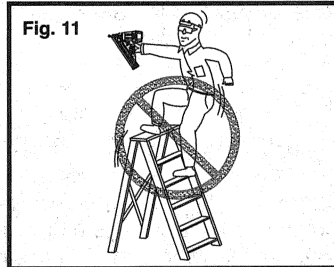


14. ALWAYS ASSUME THE TOOL CONTAINS FASTENERS. Keep the tool pointed away from yourself and others at all times. No horseplay. Respect the tool as a working implement.

15. DO NOT LOAD FASTENERS with trigger or safety depressed, to prevent unintentional firing of a fastener.



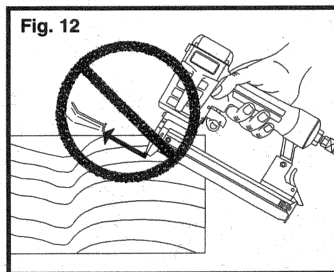
16. REMOVE FINGER FROM TRIGGER when not driving fasteners. Never carry tool with finger on trigger: tool will fire a fastener if safety is bumped while trigger is depressed.



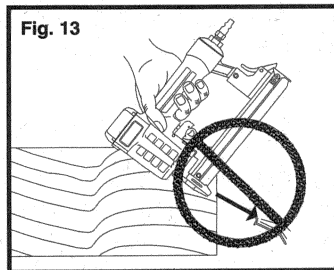
17. DON'T OVERREACH. Keep proper footing and balance at all times when using or handling the tool.

18. FIRE FASTENERS INTO WORK SURFACE ONLY: never into materials too hard to penetrate.

19. GRIP TOOL FIRMLY TO MAINTAIN CONTROL WHILE allowing tool to recoil away from work surface as fastener is driven. If safety element is allowed to recontact work surface before trigger is released an unwanted fastener will be fired.

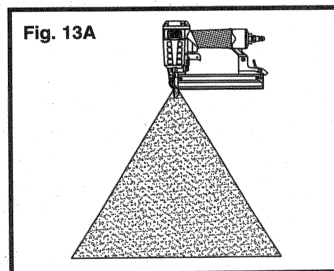


20. DO NOT DRIVE FASTENERS on top of other fasteners, or with the tool at too steep an angle: the fasteners can ricochet causing personal injury.



21. DO NOT DRIVE FASTENERS CLOSE to the edge of the workpiece. The workpiece is likely to split allowing the fastener to fly free or ricochet causing personal injury.

22. KEEP HANDS AND BODY PARTS away from area shown in Fig. 13A, to avoid injury.



EMPLOYER'S RESPONSIBILITIES

Employer must enforce compliance with the safety warnings and all other instructions contained in this manual.

Keep this manual available for use by all people assigned to use this tool.

For personal safety and proper operation of this tool, read and follow all of these instructions carefully.

OPERATING INSTRUCTIONS

FOREWORD

Porter-Cable Model NS100 is a heavy duty pneumatic stapler. It is designed to install narrow crown (1/4" wide), 18 ga. wire staples of various lengths (from 1/2" to 1" long), see ACCESSORIES Listing in back of this manual.

CAUTION: Use approved Porter-Cable staples only (see ACCESSORIES Listing in back of this manual).

POWER SOURCE

This tool is designed to operate on clean, dry, compressed air at regulated pressures between 70 and 120 PSI (Pounds per Square Inch). The preferred system would include a filter, a pressure regulator, and an automatic oiler located as close to the tool as possible (within 15 feet is ideal).

All compressed air contains moisture and other contaminants that are detrimental to internal components of the tool. An air line filter will remove most of these contaminants and significantly prolong the life of the tool. If an in-line oiler is not available: place five or six drops of Porter-Cable Air Tool Oil (see ACCESSORIES), into the tool's air inlet at the beginning of each workday.

The tool is equipped with a male "quick connector". The tool must always be connected to the air supply with a coupling such that all pressure is removed from the tool when the coupling is disconnected.

CAUTION: All air line components (hoses, connectors, filters, regulators, etc.) must have a minimum working pressure rating of 150 PSI (10.3 BAR) or 150% of maximum system potential, whichever is higher.

Do not connect this tool to a system with maximum potential pressure greater than 200 PSI.

Only connect tool to air supply with a coupling that will release all pressure from the tool when disconnected.

Disconnect tool from air supply before performing maintenance, clearing a jammed fastener, leaving work area, moving tool to another location, or handing the tool to another person.

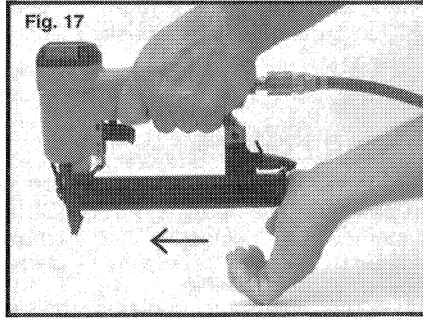
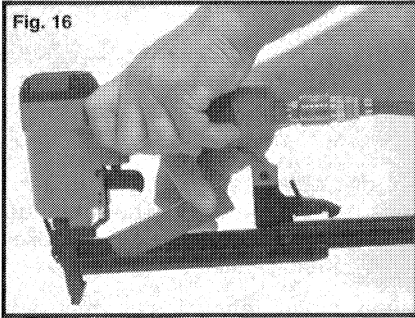
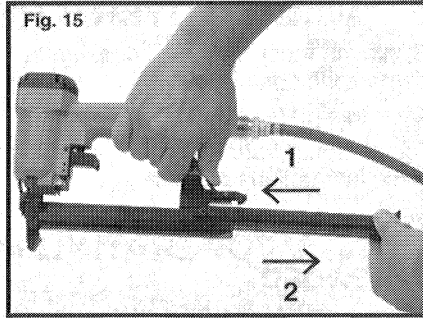
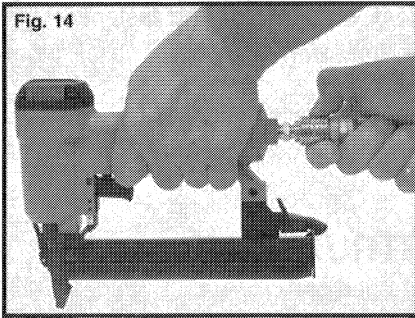
PREPARING THE TOOL

1. After reading and understanding this entire manual, connect tool to air supply.

CAUTION: Keep tool pointed away from yourself and others at all times.

Always connect tool to air supply before loading fasteners.

Do not load fasteners with trigger or safety depressed.



Only use approved Porter-Cable fasteners (see ACCESSORIES).

Always wear Z87 approved safety glasses, and hearing protection when preparing or operating the tool.

Never use a tool that leaks air or needs repair.

2. Depress latch and slide magazine cover open, see Fig. 15.
3. Insert a strip of approved fasteners, see Fig. 16.
4. Push magazine cover closed.

USING THE TOOL

Complete all steps of PREPARING THE TOOL before using the tool.

This tool can be fired in two different ways:

1. Position nose of tool onto work surface, push forward on tool to depress safety, and squeeze trigger to fire a fastener. This "trigger fire" method provides the most accurate fastener placement.

OR

2. Depress and hold trigger while pushing nose of tool firmly against work surface. The tool will fire a fastener each time the safety is depressed. This "bottom fire" method allows very fast repetitive fastener placement.

A Restrictive Fire Trigger which will restrict the tool to "trigger fire method" only, is available free-of-charge by calling 1-800-321-9443, and providing tool model and serial number. For identification purposes: the Standard Trigger is black and the Restrictive Fire Trigger is red.

Each time a fastener is fired, a blast of air will be exhausted forward from the top, front area of the tool. Keep your face away from this area.

CAUTION: Remove finger from trigger when not driving fasteners. Never carry tool with finger on trigger: tool will fire a fastener if safety is bumped.

Keep tool pointed in a safe direction at all times.

Never attempt to drive a fastener into material that is too hard, or at too steep an angle, or near the edge of the workpiece. The fastener can ricochet causing personal injury.

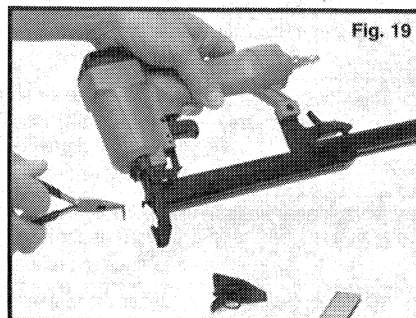
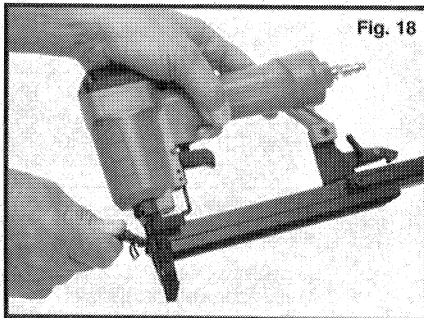
Disconnect tool from air supply before performing maintenance, clearing a jammed fastener, leaving work area, moving tool to another location, or handing the tool to another person.

Clean and inspect tool daily. Carefully check for proper operation of trigger and safety mechanism. **Do Not** use the tool unless both the trigger and the safety mechanism are functional, or if the tool is leaking air or needs any other repair.

The depth that a fastener is driven is controlled by the pressure of the air supply. The amount of pressure required will vary depending on the size of the fastener being used and the material being fastened. Experiment with the air pressure setting to determine the best pressure for the job at hand. Use only enough pressure to drive the fastener heads on top of the workpiece (not into the workpiece). Air pressure in excess of that required will cause premature wear and/or damage to the tool.

CLEARING A JAMMED FASTENER

1. **CAUTION:** Disconnect tool from air supply.
2. Open magazine and remove any remaining fasteners.
3. Open the quick release latch and remove the fastener guide plate (see Fig. 18).
4. Remove the jammed fastener (see Fig. 19).
5. Position the fastener guide plate back onto tool and secure with the quick release latch.



MAINTENANCE

CLEAN AND INSPECT DAILY

CAUTION: Disconnect tool from air supply before cleaning and inspection. Correct all problems before placing the tool back in use.

Wipe tool clean and inspect for wear or damage. Use non-flammable cleaning solutions to wipe exterior of tool only if necessary. DO NOT SOAK tool with cleaning solutions. Such solutions can damage internal parts.

Inspect trigger and safety mechanism to assure system is complete and functional: no loose or missing parts, no binding or sticking parts.

Keep all screws tight. Loose screws can cause personal injury or damage tool.

If tool is used without an in-line oiler: place 5 or 6 drops of Porter-Cable Air Tool Oil into the air inlet of the tool at the beginning of each workday.

SERVICE AND REPAIRS

All quality tools eventually require servicing or replacement of parts due to wear from normal use. Some user serviceable components are described in the TROUBLESHOOTING Section. Complete product Service is available from either an AUTHORIZED PORTER-CABLE SERVICE STATION or a PORTER-CABLE SERVICE CENTER. All repairs made by these agencies are fully guaranteed against defective material and workmanship. We cannot guarantee repairs made or attempted by anyone other than these agencies.

Should you have any questions about your tool, feel free to write us at any time. In any communications, please give all information shown on the nameplate of your tool (model number, type, serial number, etc.).

TROUBLESHOOTING

CAUTION: Disconnect tool from air supply before performing any Service Procedure.

SYMPTOM	PROBLEMS	SOLUTIONS
1. Air leak near top of tool or in trigger area.	Loose screws. Worn or damaged o-rings or seals.	Tighten screws. Install "TOP" Maintenance Kit.
2. Tool does nothing or operates sluggishly.	Inadequate air supply. Inadequate lubrication. Worn or damaged o-rings or seals.	Verify adequate air supply. Put 5 or 6 drops of oil into air inlet. Install "TOP" Maintenance Kit.
3. Air leak near bottom of tool.	Loose screws. Worn or damaged o-rings or bumper.	Tighten screws. Install "BOTTOM" Maintenance Kit.
4. Tool jams frequently.	Incorrect fasteners. Damaged fasteners. Magazine or nose screws loose. Magazine is dirty. Driver is worn or damaged.	Verify approved fasteners of correct size. Replace w/undamaged fasteners. Tighten screws. Clean magazine. Install "DRIVER" Maintenance Kit.
5. Other.		Contact a Porter-Cable Service Facility.

ACCESSORIES

The testing of this tool has been accomplished with the following accessories. For safest operation, it is recommended that only these accessories be used with this product.

WARNING: Since accessories other than those listed have not been tested with this product, use of such accessories could be hazardous.

CATALOG NO.	DESCRIPTION	LENGTH	GAUGE	QUAN/BOX
NS18050	Narrow Crown Staple	1/2"	18	5000
NS18063	Narrow Crown Staple	5/8"	18	5000
NS18075	Narrow Crown Staple	3/4"	18	5000
NS18088	Narrow Crown Staple	7/8"	18	5000
NS18088-1	1000 Pk. of NS18088	7/8"	18	1000
NS18100	Narrow Crown Staple	1"	18	5000
NS18100-1	1000 Pk. of NS18100	1"	18	1000
883763	Safety Glasses			
60001	"TOP" Maintenance Kit			
60004	"BOTTOM" Maintenance Kit			
60010	"DRIVER" Maintenance Kit			
884293	Oil (for Air Tools)			
890855	Restrictive Fire Trigger			

PORTER-CABLE LIMITED ONE YEAR WARRANTY

Porter-Cable warrants its nailing and stapling tools for a period of one year from the date of original purchase. We will repair or replace at our option, any part or parts of the product and accessories covered under this warranty which, after examination, proves to be defective in workmanship or material during the warranty period. For repair or replacement return the complete tool or accessory, transportation prepaid, to your nearest Porter-Cable Service Center or Authorized Service Station. Proof of purchase may be required. This warranty does not apply to O-rings and Driver Blades or to repair or replacement required due to misuse, abuse, normal wear and tear or repairs attempted or made by other than our Service Centers or Authorized Service Stations.

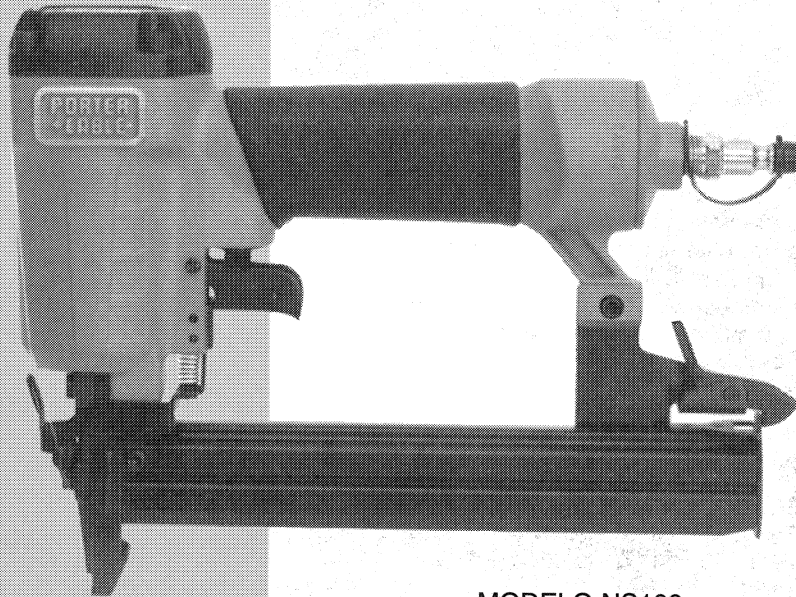
ANY IMPLIED WARRANTY, INCLUDING THE IMPLIED WARRANTIES OF MERCHANTABILITY AND FITNESS FOR A PARTICULAR PURPOSE, WILL LAST ONLY FOR ONE (1) YEAR FROM THE DATE OF PURCHASE.

To obtain information on warranty performance please write to: PORTER-CABLE CORPORATION, 4825 Highway 45 North, P.O. Box 2468, Jackson, Tennessee 38302-2468; Attention: Product Service. THE FOREGOING OBLIGATION IS PORTER-CABLE'S SOLE LIABILITY UNDER THIS OR ANY IMPLIED WARRANTY AND UNDER NO CIRCUMSTANCES SHALL PORTER-CABLE BE LIABLE FOR ANY INCIDENTAL OR CONSEQUENTIAL DAMAGES. Some states do not allow limitations on how long an implied warranty lasts or the exclusion or limitation of incidental or consequential damages, so the above limitation or exclusion may not apply to you.

This warranty gives you specific legal rights and you may also have other legal rights which vary from state to state.

Manual de
Instrucciones

GRAPADORA
PARA GRAPAS DE
CORONA ANGOSTA



MODELO NS100

IMPORTANTE

Asegúrese de que la persona que va a usar esta herramienta lea cuidadosamente y comprenda estas instrucciones antes de empezar a operarla.

La placa de Modelo y de Número de Serie está localizada en la caja principal de la herramienta. Anote estos números en las líneas de abajo y guárdelos para su referencia en el futuro.

Número de modelo _____

Tipo _____

Número de serie _____

Número de parte 892256-99

Para obtener más información
sobre Porter-Cable,
visite nuestro sitio web en:

<http://www.porter-cable.com>

PORTER-CABLE
PROFESSIONAL POWER TOOLS

NORMAS DE SEGURIDAD IMPORTANTES

ADVERTENCIA: Cuando use herramientas neumáticas siempre debe seguir las precauciones básicas de seguridad para reducir el riesgo de herida personal, incluyendo lo siguiente:

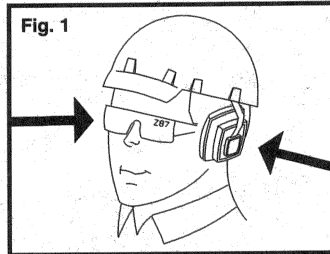
LEA Y SIGA TODAS LAS INSTRUCCIONES.

Hay ciertas aplicaciones para las cuales esta herramienta fue diseñada. Porter-Cable recomienda enfáticamente que esta herramienta **NO SEA** modificada ni usada para trabajos para los cuales no fue diseñada. Si tiene alguna pregunta relativa a su aplicación, **NO USE** la herramienta hasta que nos haya escrito a Porter-Cable y le hayamos aconsejado.

Technical Service Manager
Porter-Cable Corporation
4825 Highway 45 North
P. O. Box 2468
Jackson, TN 38302-2468

1. USE ANTEOJOS DE SEGURIDAD.

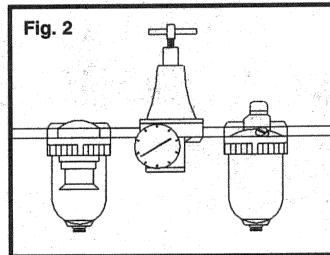
Para prevenir las heridas de ojos, el operario de la herramienta y toda persona en el área de trabajo tienen que llevar los anteojos de seguridad que tengan protectores laterales permanentes y rígidos. Estos anteojos tienen que cumplir con los requisitos de ANSI Z87.1 (los anteojos aprobados tienen "Z87" estampado o impreso en ellos).



2. USE PROTECCIÓN DE OÍDOS para prevenir la sordera.

3. USE EL AIRE LIMPIO Y SECO A PRESIÓN REGULADA

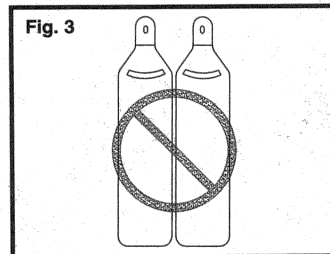
con una presión de 70 a 120 PSI (libras por pulgada cuadrada).



4. NO CONECTE LA HERRAMIENTA A una presión que pueda pasar de 200 PSI (13.7 BAR).

5. USE SÓLO UNA MANGUERA DE AIRE CON UNA CAPACIDAD MÍNIMA

de lo que sea más grande: una presión de trabajo de 150 PSI o 150% de la presión máxima del sistema.

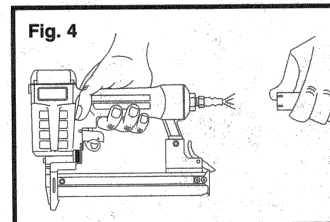


6. NUNCA EMPLEE OXÍGENO, DIÓXIDO DE CARBONO, GASES COMBUSTIBLES

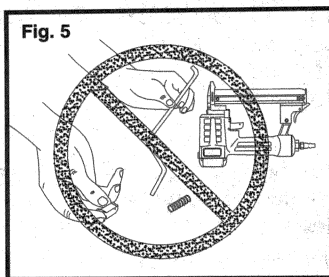
O cualquier otro gas de botella como una fuente de potencia para esta herramienta; puede resultar en una explosión o en una herida personal grave.

7. CONECTE LA HERRAMIENTA A LA MANGUERA NEUMÁTICA

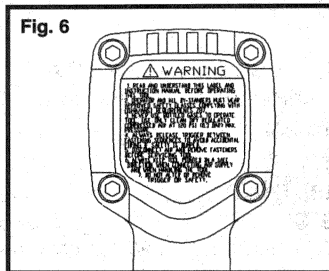
con un acoplamiento que quite toda la presión neumática de la herramienta al desconectarlo.



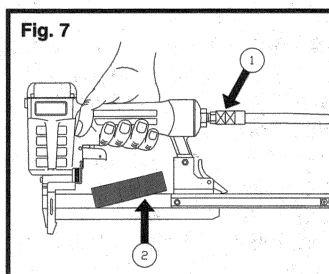
8. DESCONECTE LA HERRAMIENTA DE LA MANGUERA NEUMÁTICA antes de hacer el mantenimiento de la herramienta, de librar un sujetador atorado, de salir del área de trabajo, de llevar la herramienta a otro lugar o de pasar la herramienta a otra persona.



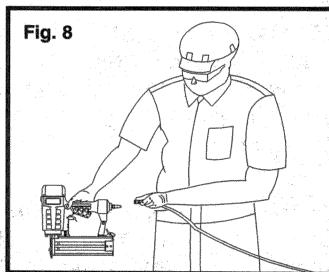
9. NUNCA USE UNA HERRAMIENTA de la cual esté escapando aire, que le falte partes o que tenga partes dañadas o que necesite reparación. Asegúrese de que todos los tornillos y las tapaderas estén bien apretados.



10. NUNCA USE LA HERRAMIENTA SI EL SEGURO, el gatillo o los resortes no funcionan o si están dañados o si no están. No modifique ni quite el seguro, el gatillo ni los resortes. Revise diariamente el movimiento libre del gatillo y del mecanismo de seguro.

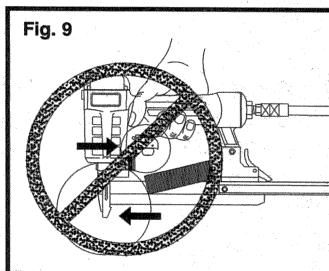


11. NO USE LA HERRAMIENTA QUE NO TENGA EL MARBETE DE AVISOS DE SEGURIDAD. Si el marbete (letrero) no está, o si está dañado o no se puede leer, póngase en contacto con su Centro de Servicio de Porter-Cable para el reemplazo.



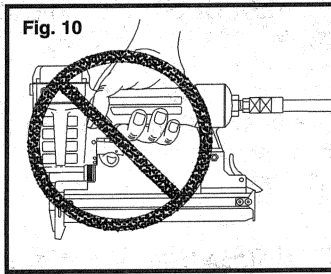
12. EMPLEE SÓLO LAS PARTES, LOS SUJETADORES Y LOS ACCESORIOS recomendados por Porter-Cable.

13. CONECTE LA HERRAMIENTA A LA MANGUERA NEUMÁTICA ANTES DE cargar los sujetadores para prevenir el disparo de un sujetador durante la conexión. El mecanismo de avance puede pasar por un ciclo al conectar la herramienta al aprovisionamiento de aire.

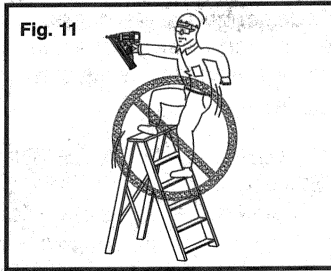


14. SIEMPRE ASUMA QUE LA HERRAMIENTA CONTIENE SUJETADORES. Mantenga la herramienta apuntada en el sentido opuesto a usted o a otra persona. No haga payasadas. Trate la herramienta como un instrumento de trabajo.

15. NO CARGUE LOS SUJETADORES con el gatillo ni el seguro apretado, para prevenir un disparo no intencionado de un sujetador.

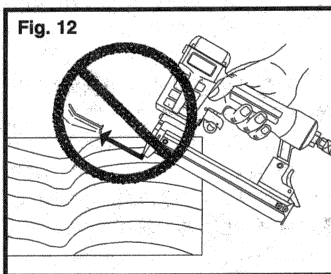


16. QUITE EL DEDO DEL GATILLO cuando no esté metiendo sujetadores. Nunca lleve la herramienta con el dedo sobre el gatillo; la herramienta disparará un sujetador si el seguro se golpea mientras el gatillo está apretado.



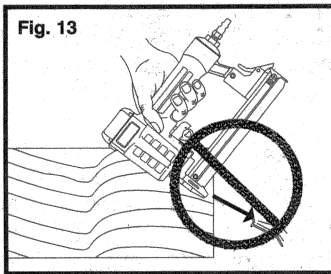
17. NO SOBREALCANCE. Siempre mantenga buen equilibrio cuando use o maneje la herramienta.

18. DISPARE LOS SUJETADORES SOLAMENTE EN LA SUPERFICIE DEL TRABAJO; y nunca en materiales demasiado duros de penetrar.

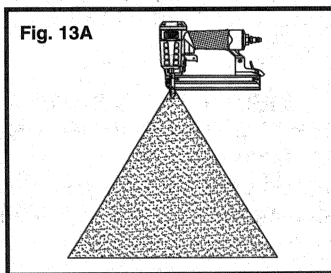


19. AGARRE LA HERRAMIENTA FIRMEMENTE PARA MANTENER EL CONTROL MIENTRAS se permite que la herramienta retroceda alejándose de la superficie de trabajo cuando se clava el sujetador. Si se deja que el elemento de seguridad vuelva a entrar en contacto con la superficie de trabajo antes de soltar el gatillo, se disparará un sujetador no deseado.

20. NO INTENTE GRAPAR LOS SUJETADORES arriba de otros o con un ángulo demasiado inclinado; los sujetadores pueden rebotar y causar una herida personal.



21. NO META LOS SUJETADORES MUY CERCA del canto del trabajo. Es posible que la pieza en elaboración se parta y que el sujetador se salga o rebote causando una herida personal.



22. MANTENGA LAS MANOS Y LAS PARTES DEL CUERPO alejadas del área que se muestra en la Fig. 13A para evitar lesiones.

LAS RESPONSABILIDADES DEL EMPLEADOR

El empleador tiene que imponer la obediencia de las advertencias de seguridad y de todas las instrucciones de este manual.

Mantenga este manual a la mano de toda la gente que vaya a usar esta herramienta.

Para la seguridad personal y la operación apropiada de esta herramienta, lea y siga todas las instrucciones con cuidado.

INSTRUCCIONES DE MANEJO

PRÓLOGO

El Modelo NS100 de Porter-Cable es una grapadora neumática de servicio pesado. Fue diseñada para instalar grapas de alambre de calibre 18 con corona angosta (anchura de 1/4") de varios largos (desde 1/2" hasta 1" de largo), vea la lista de ACCESORIOS en la parte trasera de este manual.

PRECAUCIÓN: Use sólo grapas aprobadas por Porter-Cable (vea la lista de ACCESORIOS en la parte trasera de este manual).

LA FUENTE DE POTENCIA

Esta herramienta fue diseñada para operar con aire limpio y seco a presión regulada entre 70 y 120 PSI (libras por pulgada cuadrada). El sistema preferido incluye un filtro, un regulador de presión y una aceitera automática tan cerca a la herramienta como sea posible (menos de 15 pies sería ideal).

Todo aire comprimido contiene humedad y otros contaminantes que causan detrimentos a los componentes internos de la herramienta. Un filtro de línea de aire sacará la mayoría de estos contaminantes y prolongará de manera significativa la vida de la herramienta. Si una aceitera de línea no está disponible, meta cinco o seis gotas de Aceite para Herramienta de Aire de Porter-Cable (vea ACCESORIOS), en la admisión de aire al principio de cada día de trabajo.

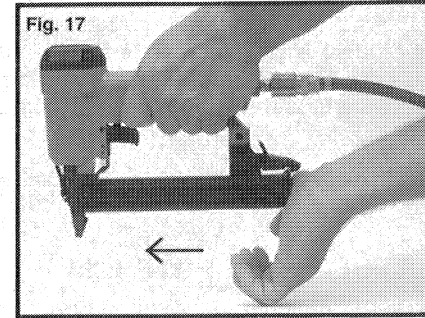
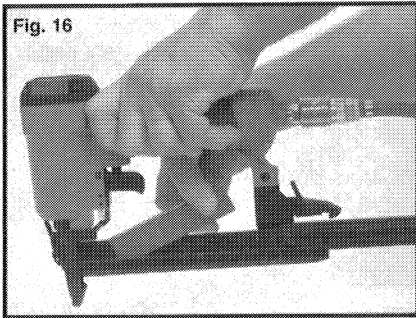
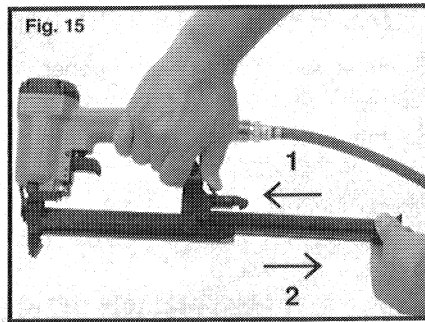
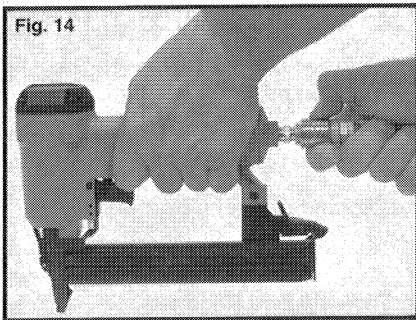
La herramienta viene con un "acoplamiento rápido" macho. La herramienta siempre tiene que estar conectada al aprovisionamiento de aire con un acoplamiento de tal manera que cuando se desconecte el acoplamiento, la presión escape.

PRECAUCIÓN: Todos los componentes de la línea de aire (mangueras, conectores, filtros, reguladores, etcétera) tienen que tener, lo que sea más grande, una presión normal mínima de trabajo de 150 PSI (10.3 BAR) o 150% de la potencia máxima del sistema.

No conecte esta herramienta a un sistema que tenga una potencia máxima de más de 200 PSI.

Sólo conecte la herramienta a un aprovisionamiento de aire que tenga un acoplamiento que descargue toda la presión de la herramienta al desconectarla.

Desconecte la herramienta del aprovisionamiento de aire antes de hacerle mantenimiento, de librar un sujetador atorado, de salir del área de trabajo, de llevar la herramienta a otro lugar o de pasar la herramienta a otra persona.



PARA PREPARAR LA HERRAMIENTA

1. Después de leer y entender todo este manual, conecte la herramienta al aprovisionamiento de aire.

PRECAUCIÓN: Mantenga la herramienta apuntada en el sentido opuesto a usted o a otra persona.

Conecte la herramienta a la manguera neumática antes de cargarla con sujetadores.

No cargue los sujetadores con el gatillo ni el seguro apretado.

Emplee sólo las partes, los sujetadores y los accesorios aprobados por Porter-Cable.

Siempre use anteojos, Z87, de seguridad aprobados y protección para los oídos al preparar u operar la herramienta.

PRECAUCIÓN: Nunca use una herramienta de la cual esté escapando aire o que necesite reparaciones.

2. Apriete el pestillo y deslice la tapa de la recámara (magacín) hasta la posición abierta, vea la Fig. 15.

3. Meta la tira de sujetadores aprobados, vea la Fig. 16.

4. Cierre la tapa de la recámara.

PARA USAR LA HERRAMIENTA

Complete todos los pasos de PARA PREPARAR LA HERRAMIENTA antes de usar la herramienta.

Hay dos métodos de disparar esta herramienta:

1. Ponga la punta de la herramienta en la superficie del trabajo, empuje la herramienta hacia adelante para apretar el seguro, y apriete el gatillo para disparar un sujetador. Este método de “disparo de gatillo” da la localización más exacta del sujetador.

○

2. Apriete el gatillo y manténgalo apretado mientras empuja firmemente la punta de la herramienta contra la superficie del trabajo. La herramienta disparará un sujetador cada vez que empuje el seguro. Este método de “disparo de abajo” permite grapar una serie de sujetadores repetida y rápidamente.

Hay disponible de manera gratuita un gatillo de disparo restrictivo que restringirá la herramienta solamente al “método de disparo de gatillo” llamando al 1-800-321-9443 y dando el No. de modelo y de serie de la herramienta. Para fines de identificación, el gatillo estándar es negro y el gatillo de disparo restrictivo es rojo.

Cada vez que se dispare un sujetador, un chorro de aire saldrá hacia adelante del área superior y delantera de la herramienta. Mantenga la cara fuera de este área.

PRECAUCIÓN: Quite el dedo del gatillo cuando no esté grapando sujetadores. Nunca lleve la herramienta con el dedo sobre el gatillo; disparará un sujetador si el seguro se golpea.

Mantenga la herramienta apuntada en un sentido seguro todo el tiempo.

Nunca intente meter un sujetador en un material que sea demasiado duro, o a un ángulo demasiado inclinado o muy cerca del canto de la pieza en elaboración. El sujetador puede rebotar y causar una herida personal.

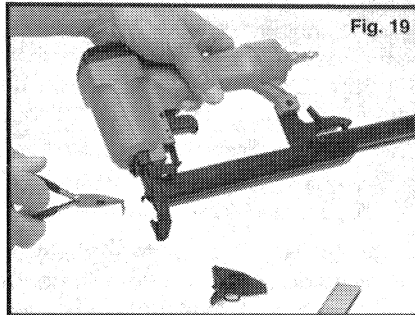
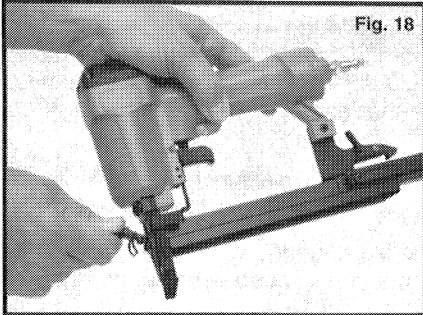
Desconecte la herramienta del aprovisionamiento de aire antes de hacerle mantenimiento, de librar un sujetador atorado, de salir del área de trabajo, de llevar la herramienta a otro lugar o de pasar la herramienta a otra persona.

Limpie y revise la herramienta diariamente. Verifique con cuidado la operación apropiada del gatillo y del mecanismo del seguro. **NO USE** la herramienta a no ser que el gatillo y el seguro funcionen bien o si la herramienta está expulsando aire o si existe cualquier necesidad de repararla.

La profundidad a que se mete un sujetador se controla por medio de la presión del aprovisionamiento de aire. La cantidad de presión requerida variará según el tamaño del sujetador que esté usando y según el material en elaboración. Experimente con el mando de presión de aire para determinar cual es la mejor presión para el trabajo que hace. Use sólo suficiente presión para meter los sujetadores hasta el punto en que las cabezas estén planas con la superficie del material (no abajo de la superficie). El uso de una presión de aire en exceso de la requerida desgastará y/o dañará la herramienta.

PARA DESATORAR UN SUJETADOR

1. **PRECAUCIÓN:** Desconecte la herramienta del aprovisionamiento de aire.
2. Abra la recámara (magacín) y saque los sujetadores que queden.
3. Abra el pestillo de “desenganche rápido” y quite la placa de guía de los sujetadores.
4. Saque el sujetador atorado (vea la Fig. 19).
5. Recoloque la placa de guía en la herramienta y asegúrela con el pestillo de desenganche rápido.



MANTENIMIENTO

LIMPIE Y REVISE DIARIAMENTE

PRECAUCIÓN: Desconecte la herramienta del aprovisionamiento de aire antes de limpiarla o inspeccionarla. Corrija todos los problemas antes de usar la herramienta.

Limpie la herramienta y haga una inspección de desgaste y de daño. Use una solución no inflamable para limpiar el exterior de la herramienta sólo si es necesario. **NO EMPAPE** la herramienta con la solución de limpieza. Estas soluciones pueden dañar las partes internas.

Revise el gatillo y el mecanismo del seguro para asegurar que el sistema esté completo y que funcione bien: no partes flojas o que no estén, no partes que se atoren ni se peguen.

Mantenga todos los tornillos apretados. Tornillos flojos pueden causar herida personal o dañar la herramienta.

Si la herramienta se usa sin aceitera de línea; meta 5 o 6 gotas del Aceite para Herramientas de Aire de Porter-Cable en la admisión de aire al principio de *cada día de trabajo*.

SERVICIO Y REPARACIONES

Toda herramienta de calidad eventualmente necesitará servicio o reemplazo de partes gastadas debido al uso normal. Algunos de los componentes que el usuario puede componer están descritos en la sección de IDENTIFICACIÓN DE FALLAS. Un servicio completo del producto puede obtenerse en una ESTACIÓN DE SERVICIO AUTORIZADO POR PORTER-CABLE o en un CENTRO DE SERVICIO DE PORTER-CABLE. Toda reparación hecha por estas agencias está completamente garantizada contra material y hechura defectuosa. No podemos garantizar reparaciones hechas o intentadas por ninguna otra agencia.

Si usted tiene alguna pregunta acerca de su herramienta, haga el favor de escribirnos cuando quiera. En cualquier comunicación, por favor escriba toda la información dada en la placa de su herramienta (número de modelo, tipo, número de serie, etc.).

LA IDENTIFICACIÓN DE FALLAS

PRECAUCIÓN: Desconecte la herramienta del aprovisionamiento de aire antes de hacerle cualquier Procedimiento de Servicio.

SÍNTOMA	PROBLEMA	SOLUCIÓN
1. El aire sale por la parte superior de la herramienta o por el área del gatillo.	Tornillos flojos. Sellos o empaque de anillo gastados o dañados.	Apriete los tornillos. Instale el Juego de Mantenimiento para la Parte Superior.
2. La herramienta no hace nada o funciona lentamente.	Aprovisionamiento de aire insuficiente. Lubricación insuficiente. Sellos o empaque de anillo gastados o dañados.	Verifique el aprovisionamiento de aire. Meta 5 o 6 gotas de aceite en la admisión de aire. Instale el Juego de Mantenimiento para la Parte Superior.
3. El aire sale cerca de la parte inferior de la herramienta.	Tornillos flojos. Tope o empaque de anillo gastado o dañado.	Apriete los tornillos. Instale el Juego de Mantenimiento para la Parte Inferior.
4. La herramienta se atora con frecuencia.	Sujetadores incorrectos. Sujetadores dañados. Los tornillos de la punta o de la recámara flojos. La recámara está sucia. El impulsor está desgastado o dañado.	Verifique que los sujetadores aprobados son del tamaño correcto. Reemplácelos con sujetadores no dañados. Apriete los tornillos. Limpie la recámara (magacín). Instale el Juego de Mantenimiento para el Impulsor.
5. Otra cosa		Póngase en comunicación con una Instalación de Servicio de Porter-Cable.

ACCESORIOS

Esta herramienta ha sido probada con los siguientes accesorios. Para la más segura operación, se recomienda que solamente estos accesorios sean usados con este producto.

ADVERTENCIA: Como ningún otro accesorio, fuera de los indicados, se ha probado con este producto, el uso de tal accesorio puede ser peligroso.

No. de CATÁLOGO	DESCRIPCIÓN	LARGO	CALIBRE	CANT/CAJA
NS18050	Grapa de Corona Angosta	1/2"	18	5000
NS18063	Grapa de Corona Angosta	5/8"	18	5000
NS18075	Grapa de Corona Angosta	3/4"	18	5000
NS18088	Grapa de Corona Angosta	7/8"	18	5000
NS18088-1	Paquete de 1000 de NS18088	7/8"	18	1000
NS18100	Grapa de Corona Angosta	1"	18	5000
NS18100-1	Paquete de 1000 de NS18100	1"	18	1000
883763	Anteojos de Seguridad			
60001	Juego de Mantenimiento para la Parte Superior			
60004	Juego de Mantenimiento para la Parte Inferior			
60010	Juego de Mantenimiento para el Impulsor			
884293	Aceite (para Herramientas de Aire)			
890855	Gatillo de Disparo Restringido			

PÓLIZA DE GARANTÍA DE 1 AÑO DE PORTER-CABLE

La Compañía de Porter-Cable garantiza sus herramientas de clavar y de grapar a partir de 1 año de la fecha de compra. Porter-Cable reparará o reemplazará – según nuestra opción – cualquier parte o partes de la herramienta o de los accesorios protegidos bajo esta garantía que, después de examinarlas, demuestren cualquier defecto en los materiales o mano de obra durante el periodo de la garantía. Para reparación o reemplazo, devuelva la herramienta o accesorio completo, cubriendo el precio de transporte, al Centro de Servicio de Porter-Cable o a la Estación de Servicio Autorizado más cercana. Puede ser que requiera prueba de compra. Esta garantía no incluye los empaques de anillo ni las paletas de impulsor y no es válida en caso de mal uso, abuso o desgaste normal de la herramienta así como reparaciones efectuadas o atentadas por otros medios que no sean de los Centros de Servicio de Porter-Cable o las Estaciones de Servicio Autorizado por Porter-Cable.

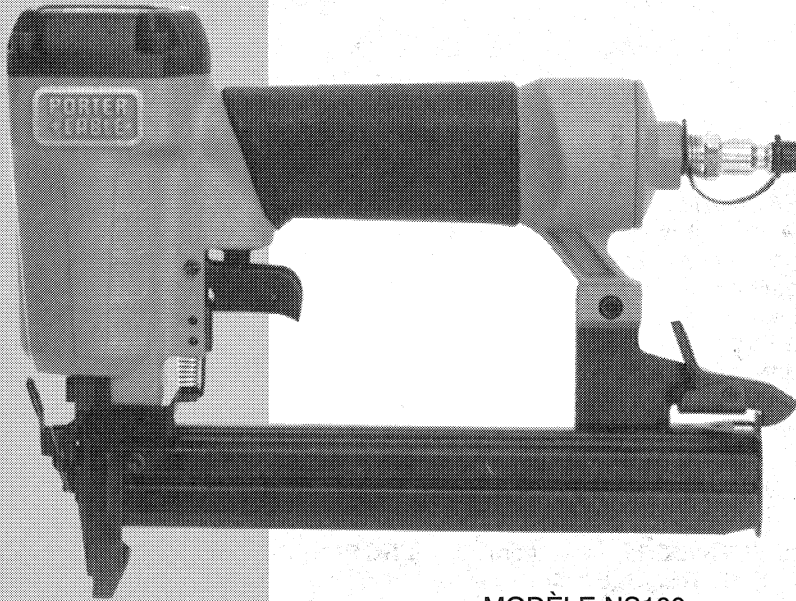
CUALQUIER GARANTÍA IMPLICADA, INCLUSO LAS GARANTÍAS DE MERCADERÍA Y APTITUD PARA PROPÓSITOS ESPECIALES O PARTICULARES, DURARÁN POR SÓLO UN (1) AÑO A PARTIR DE LA FECHA DE COMPRA.

Para obtener información de la garantía de desempeño haga el favor de escribir a Porter-Cable Corporation, 4825 Highway 45 North, P. O. Box 2468, Jackson, Tennessee 38302-2468; Attention: Product Service. LA OBLIGACIÓN ANTERIORMENTE MENCIONADA ES AL ÚNICA RESPONSABILIDAD DE PORTER-CABLE BAJO ESTA O CUALQUIER GARANTÍA IMPLICADA. PORTER-CABLE DE NINGUNA MANERA SERÁ RESPONSABLE POR NINGÚN DAÑO INCIDENTAL O CONSECUENTE. Algunos estados no permiten limitaciones de tiempo de garantías implicadas ni la exclusión o la limitación de daños incidentales o consecuentes, así es que hay una posibilidad que la limitación o la exclusión no le aplique a usted.

La garantía le da a usted unos derechos especificados y legales. Puede ser que usted tenga también otros derechos legales los cuales varían de un estado a otro.

Manuel
d'instructions

AGRAFEUSE POUR
AGRAFES ÉTROITES



MODÈLE NS100

IMPORTANT

Veillez vous assurer que la personne qui utilise cet outil lit attentivement et comprend ces instructions avant de commencer à utiliser l'outil.

La plaque des numéros de modèle et de série est située sur le boîtier principal de l'outil. Prenez note de ces numéros dans les espaces ci-après et conservez-les pour référence future.

No. de modèle _____

Type _____

No. de série _____

No. de pièce 892256-992

Pour de plus amples renseignements concernant Porter-Cable, consultez notre Website à l'adresse suivante :

<http://www.porter-cable.com>

PORTER-CABLE
PROFESSIONAL POWER TOOLS

IMPORTANTES CONSIGNES DE SÉCURITÉ

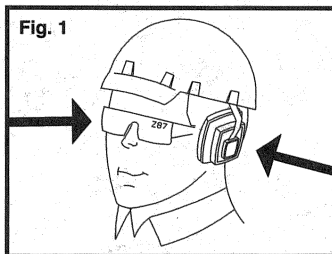
AVERTISSEMENT : Lors de l'utilisation d'outils pneumatiques, toujours suivre les précautions de sécurité élémentaires afin de réduire les risques de blessure. Ces précautions comprennent ce qui suit :

LIRE ET SUIVRE TOUTES LES INSTRUCTIONS.

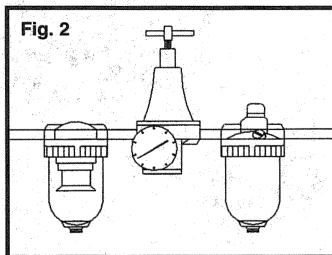
Cet outil a été conçu pour des applications bien définies. Porter-Cable recommande instamment de ne PAS le modifier ou/et de ne PAS l'utiliser pour une application pour laquelle il n'a pas été conçu. En cas de doutes sur son application, NE PAS utiliser l'outil avant d'avoir écrit à Porter-Cable et d'avoir reçu nos conseils.

Technical Service Manager
Porter-Cable Corporation
4825 Highway 45 North
P.O. Box 2468
Jackson, TN 38302-2468

1. UTILISER DES LUNETTES DE SÉCURITÉ. Pour éviter toute blessure aux yeux, l'utilisateur de l'outil et toutes les personnes présentes dans la zone de travail doivent porter des lunettes de sécurité munies de coques latérales non amovibles en plastique rigide. Ces lunettes de sécurité doivent être conformes à la norme ANSI Z87.1 (les lunettes homologuées portent la marque « Z87 »).



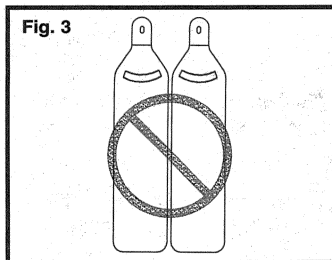
2. PORTER UNE PROTECTION AUDITIVE pour diminuer le risque de perte d'ouïe.



3. UTILISER de l'air comprimé **PROPRE, SEC ET RÉGULÉ** entre 70 et 120 PSI.

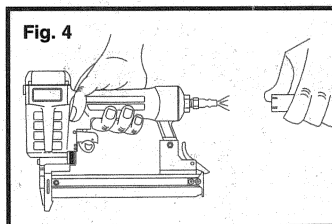
4. NE PAS BRANCHER L'OUTIL sur une source de pression qui pourrait dépasser 200 PSI (13,7 BARS).

5. UTILISER EXCLUSIVEMENT UN TUYAU D'AIR PRÉVU pour une pression de fonctionnement maximale qui soit au moins la plus élevée des deux pressions suivantes : 150 PSI ou 150 % de la pression maximale du système.

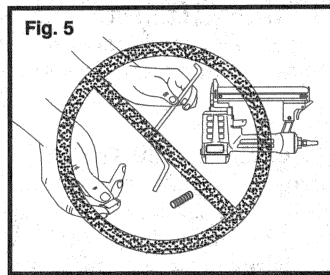


6. NE JAMAIS UTILISER D'OXYGÈNE, DE BIOXYDE DE CARBONE, de gaz combustibles ou d'autres gaz en bonbonne comme source d'énergie pour cet outil à cause des risques d'explosion et de blessures graves.

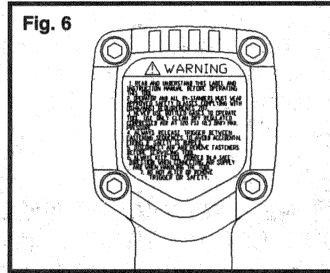
7. BRANCHER L'OUTIL SUR LE TUYAU D'ALIMENTATION EN AIR à l'aide d'un raccord qui permet la décompression complète de l'outil quand il est débranché.



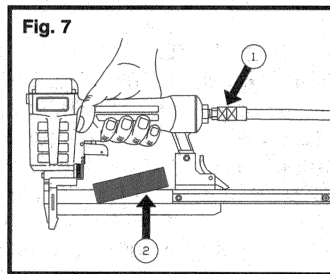
8. DÉBRANCHER L'OUTIL DU TUYAU D'ALIMENTATION avant d'effectuer tout entretien, de débloquer une agrafe coincée, de quitter la zone de travail, d'emmener l'outil dans un autre endroit ou de tendre l'outil à une autre personne.



9. NE JAMAIS UTILISER UN OUTIL qui a une fuite d'air, qui a des pièces manquantes ou abîmées ou qui nécessite réparation. S'assurer que toutes les vis et couvercles sont serrés fermement.

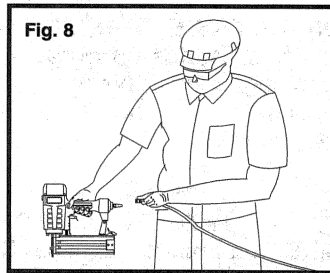


10. NE JAMAIS UTILISER L'OUTIL SI la gâchette de **SÉCURITÉ** ou les ressorts ne fonctionnent pas ou sont abîmés. Ne pas modifier ou ôter la sécurité, la gâchette ou les ressorts. Vérifier quotidiennement que le mécanisme de sécurité et la gâchette se déplacent librement.

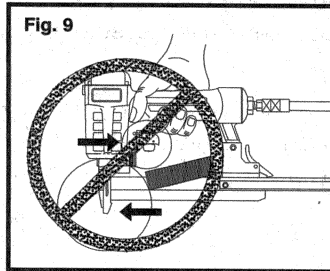


11. NE PAS UTILISER L'OUTIL SANS L'ÉTIQUETTE DE MISE EN GARDE. Si l'étiquette manque, est abîmée ou est illisible, contacter votre Centre de Service Porter-Cable pour en obtenir une autre.

12. UTILISER EXCLUSIVEMENT DES PIÈCES, AGRAFES ET ACCESSOIRES recommandés par Porter-Cable.

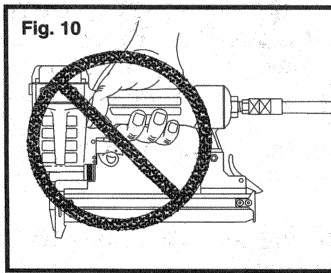


13. BRANCHER L'OUTIL SUR L'ALIMENTATION EN AIR AVANT de charger des agrafes pour éviter de tirer une agrafe par mégarde pendant le raccordement. Il se peut que le mécanisme de frappe effectue un cycle lorsque l'outil est raccordé à la source d'air.

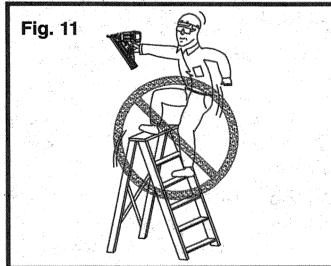


14. TOUJOURS PRÉSUMER QU'IL Y A DES AGRAFES DANS LE CHARGEUR. Ne jamais pointer l'outil vers soi ou vers autrui. Cet outil n'est pas un jouet, toujours le considérer comme un instrument de travail.

15. NE PAS CHARGER D'AGRAFES avec la gâchette ou la sécurité enfoncée pour empêcher tout tir intempestif.

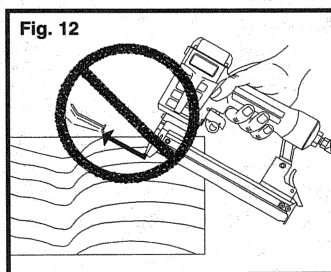


16. ÔTER LE DOIGT DE LA GÂCHETTE lorsqu'on n'agrafe pas. Ne jamais transporter l'outil avec le doigt sur la gâchette : l'outil tirerait si la sécurité était cognée pendant que la gâchette est enfoncée.



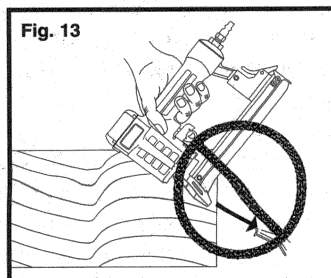
17. NE PAS SE PENCHER. Toujours conserver une bonne assiette et un bon équilibre lors de l'utilisation ou du maniement de l'outil.

18. NE TIRER D'AGRAFES QUE DANS LA SURFACE DE TRAVAIL, jamais dans des matériaux trop durs à pénétrer.

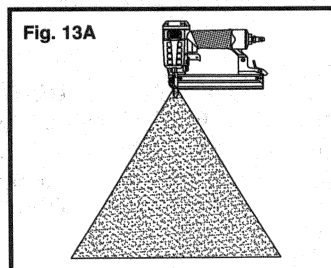


19. SAISISSEZ L'OUTIL FERMEMENT POUR MAINTENIR LE CONTRÔLE TOUT en laissant l'outil reculer de la surface de l'ouvrage à mesure que l'attache est enfoncée. Si vous laissez l'élément de sécurité revenir en contact avec la surface de l'ouvrage avant de relâcher la gâchette, une attache sera enfoncée par mégarde.

20. NE PAS ENFONCER D'AGRAFES sur d'autres agrafes ou avec l'outil à un angle trop aigu, il se pourrait que les agrafes ricochent et causent des blessures corporelles.



21. NE PAS ENFONCER D'AGRAFES PRÈS du bord de la pièce. Celle-ci pourrait se fendre et laisserait alors l'agrafe, soit partir librement, soit ricocher, risquant ainsi de causer des blessures corporelles.



22. TENIR LES MAINS ET LE CORPS éloignés de la zone illustrée à la figure 13A pour éviter toute blessure.

RESPONSABILITÉS DE L'EMPLOYEUR

L'employeur doit faire obéir les consignes de sécurité et toutes les autres instructions contenues dans ce mode d'emploi.

Mettre ce mode d'emploi à la disposition de tous ceux qui doivent utiliser cet outil.

Pour raisons de sécurité et pour assurer l'usage correct de cet outil, lire et suivre avec soin toutes ces instructions.

CONSIGNES D'UTILISATION

AVANT PROPOS

Le modèle NS100 de Porter-Cable est une agrafeuse pneumatique pour professionnels. Elle est conçue pour enfoncer des agrafes filiformes étroites ($\frac{1}{4}$ po de largeur) de jauge 18, de longueurs variées (entre $\frac{1}{2}$ po et 1 po). Voir la liste des ACCESSOIRES au dos de ce mode d'emploi.

MISE EN GARDE : Utiliser exclusivement des agrafes Porter-Cable (voir la liste des ACCESSOIRES au dos de ce mode d'emploi).

SOURCE D'ÉNERGIE

Cet outil est conçu pour fonctionner avec de l'air comprimé propre et sec régulé entre 70 et 120 PSI (livres par pouce carré). Il est préférable d'inclure dans le système d'alimentation un filtre, un régulateur de pression et un huileur automatique situé aussi près que possible de l'outil (idéalement, à moins de 15 pieds).

L'air comprimé contient de l'humidité et autres contaminants qui sont nuisibles aux pièces internes de l'outil. Un filtre à air permet d'enlever la plupart de ces contaminants et d'étendre de manière significative la durée de la vie de l'outil. En l'absence d'huileur automatique, avant d'utiliser l'outil mettre quotidiennement cinq à six gouttes d'huile à outil pneumatique Porter-Cable (voir ACCESSOIRES), dans l'entrée d'air de l'outil.

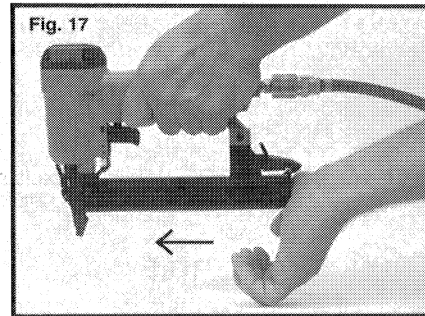
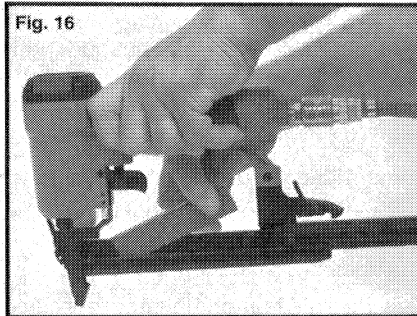
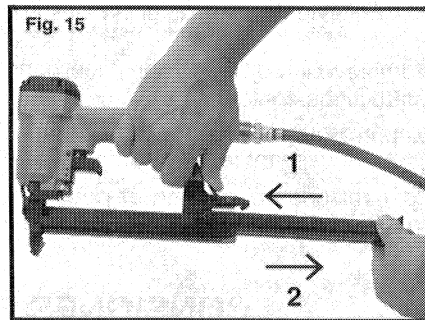
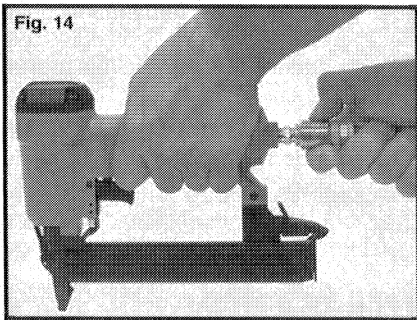
L'outil est équipé d'un raccord rapide mâle. Il doit toujours être raccordé à l'alimentation en air avec un raccord qui assure la décompression totale de l'outil lors du débranchement.

MISE EN GARDE : Tous les composants de la ligne d'alimentation en air (tuyaux, raccords, filtres, régulateurs, etc.) doivent être capables de supporter la plus élevée des deux pressions suivantes : au moins 150 PSI (10,3 BARS) ou 150 % de la pression maximale possible sur le système.

Ne pas raccorder cet outil à un système capable de délivrer plus de 200 PSI.

Raccorder l'outil à l'alimentation en air uniquement avec un raccord qui permet la décompression totale de l'outil lors du débranchement.

Débrancher l'outil avant d'effectuer tout entretien, de décrocher une agrafe, de quitter la zone de travail, de déplacer l'outil dans un autre endroit ou de tendre l'outil à une autre personne.



PRÉPARATION DE L'OUTIL

1. Après avoir lu et compris ce mode d'emploi, raccorder l'outil à l'alimentation en air.

MISE EN GARDE : Ne jamais pointer l'outil vers soi ou vers autrui.

Toujours raccorder l'outil à l'alimentation en air avant de charger les agrafes.

Ne pas charger d'agrafes tant que la gâchette ou la sécurité est enfoncée.

N'utiliser que des agrafes homologuées par Porter-Cable (voir ACCESSOIRES).

Toujours porter des lunettes de sécurité homologuées Z87, et une protection auditive lors de la préparation et de l'utilisation de l'outil.

Ne jamais utiliser un outil qui fuit ou qui nécessite réparation.

2. Enfoncer le verrou et faire glisser le chargeur vers l'extérieur, voir fig. 15.

3. Insérer une bande d'agrafes homologuées, voir fig. 16.

4. Fermer le chargeur en poussant.

UTILISATION DE L'OUTIL

Finir toutes les étapes de la PRÉPARATION DE L'OUTIL avant de l'utiliser.

Cet outil peut être déclenché de deux manières différentes :

1. Mettre le nez de l'outil sur la surface de travail, appuyer sur l'outil pour enfoncer la sécurité et enfoncer la gâchette pour tirer une agrafe. Cette méthode de « tir à la gâchette » permet d'obtenir une grande précision dans le positionnement des agrafes.

OU

2. Enfoncer la gâchette et la maintenir tout en poussant le nez fermement contre la surface de travail. L'outil tire une agrafe à chaque fois que la sécurité est enfoncée. Cette méthode de « tir par enfoncement » permet un agrafage très rapide.

Une gâchette de restriction du mode de tir qui limite l'outil à la méthode de « tir à la gâchette » peut être obtenue gratuitement en appelant le 1-800-321-9443 et en fournissant le modèle de l'outil et le numéro de série. Pour permettre de les distinguer, la gâchette standard est noire et la restrictive est rouge.

À chaque fois qu'une agrafe est tirée, une bouffée d'air est évacuée vers l'avant de la zone frontale supérieure de l'outil. Ne pas approcher le visage de cette zone.

MISE EN GARDE : Enlever le doigt de la gâchette quand on ne tire pas d'agrafes. Ne jamais transporter l'outil avec le doigt sur la gâchette car il y a risque de tirer une agrafe par mégarde si la sécurité est cognée.

Toujours pointer l'outil dans une direction sûre.

Ne jamais essayer d'enfoncer d'agrafes dans un matériau trop dur ou à un angle trop aigu ou près du bord d'une pièce. L'agrafe pourrait ricocher et causer des blessures corporelles.

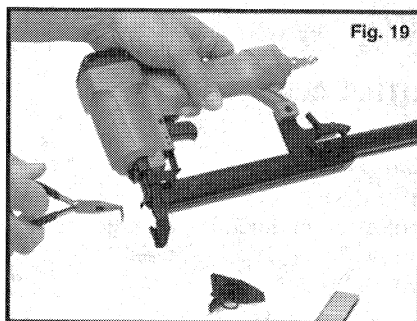
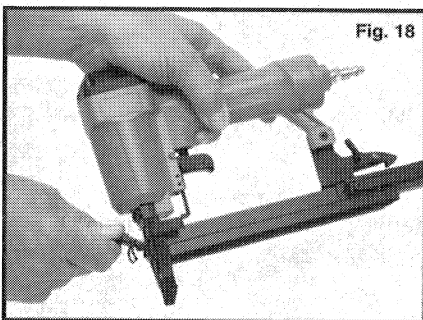
Débrancher l'outil avant d'effectuer tout entretien, de débloquer une agrafe coincée, de quitter la zone de travail, de transporter l'outil dans un autre endroit ou de le tendre à une autre personne.

Nettoyer et inspecter l'outil quotidiennement. Vérifier soigneusement que la gâchette et le mécanisme de sécurité fonctionnent correctement. **Ne pas** utiliser l'outil si l'un de ces deux systèmes ne fonctionne pas ou si l'outil fuit ou nécessite une quelconque réparation.

La profondeur de pénétration des agrafes dépend de la pression d'alimentation. La pression requise dépend de la taille de l'agrafe utilisée et du matériau à agraffer. Faire des essais à différentes pressions pour déterminer le réglage qui convient au travail à effectuer. Régler la pression pour enfoncer les agrafes au ras de la pièce sans les chasser. Toute pression supérieure à ce qui est requis causera une usure prématurée ou abîmera l'outil.

DÉBLOCAGE D'UNE AGRAFE COINCÉE

1. **MISE EN GARDE :** Débrancher l'outil.
2. Ouvrir le chargeur et le vider des agrafes restantes.
3. Ouvrir le verrou rapide et enlever la plaque de guidage de l'agrafe (voir fig. 18).
4. Enlever l'agrafe coincée (voir fig. 19).
5. Remettre la plaque de guidage de l'agrafe et la fixer avec le verrou rapide.



ENTRETIEN

NETTOYER ET INSPECTER L'OUTIL QUOTIDIENNEMENT

MISE EN GARDE : Débrancher l'outil avant tout nettoyage ou inspection.

Corriger tous les défauts avant de remettre l'outil en service.

Essuyer l'outil et vérifier qu'il n'est pas abîmé ou usé. Si nécessaire, utiliser une solution de nettoyage ininflammable pour nettoyer l'extérieur de l'outil. **NE PAS TREMPER** l'outil dans la solution de nettoyage car cela pourrait endommager les pièces internes.

Inspecter la gâchette et le mécanisme de sécurité pour s'assurer que le système est au complet et fonctionne : pas de pièces manquantes ou desserrées, pas de coincement ou d'adhérence.

Resserrer toutes les vis. Desserrées, elles peuvent causer des blessures corporelles ou abîmer l'outil.

Si l'outil est utilisé sans huileur automatique, au début de chaque journée placer 5 à 6 gouttes d'huile pour outil pneumatique Porter-Cable dans l'entrée d'air de l'outil.

ENTRETIEN ET RÉPARATION

Même les outils de qualité finissent par nécessiter un entretien ou le remplacement de pièces à cause de l'usure résultant de l'usage normal. Les composants réparables par l'utilisateur sont décrits à la section DÉPANNAGE. Pour un service complet, contacter une **STATION SERVICE PORTER-CABLE AGRÉÉE** ou un **CENTRE DE SERVICE PORTER-CABLE**. Toutes les réparations effectuées par ces agences sont totalement garanties pour ce qui est des pièces et de la main d'œuvre. Nous ne pouvons pas garantir les réparations effectuées ou tentées par des tiers.

Si vous avez des questions au sujet de cet outil, veuillez nous écrire. Dans toute correspondance, n'oubliez pas de mentionner tous les renseignements qui se trouvent sur la plaque signalétique de votre outil (numéro de l'outil, numéro de série, etc.).

DÉPANNAGE

MISE EN GARDE : Débrancher l'outil avant toute réparation.

SYMPTÔME	PROBLÈMES	SOLUTIONS
1. Fuite d'air autour du haut de l'outil ou autour de gâchette.	Vis desserrées. Joints ou joints toriques usés ou abîmés.	Resserrer les vis. Installer le kit d'entretien « TOP » (HAUT).
2. L'outil ne fonctionne pas du tout ou mollement.	Alimentation en air insuffisante. Lubrification insuffisante. Joints ou joints toriques usés ou abîmés.	Vérifier l'alimentation en air. Ajouter 5 à 6 gouttes d'huile dans l'entrée d'air. Installer le kit d'entretien « TOP » (HAUT).
3. Fuite d'air autour du bas de l'outil.	Vis desserrées. Amortisseur ou joints toriques usés ou abîmés.	Resserrer les vis. Installer le kit d'entretien « BOTTOM » (BAS).
4. L'outil se coince souvent.	Mauvais type d'agrafes. Agrafes abîmées. Vis du chargeur ou du nez desserrées. Chargeur sale. Heurtoir usé ou abîmé.	Vérifier que les agrafes sont homologuées et de taille correcte. Mettre des agrafes en bon état. Resserrer les vis. Nettoyer le chargeur. Installer le kit d'entretien « DRIVER » (HEURTOIR).
5. Autres.		Contacteur un Centre de Service Porter-Cable.

ACCESSOIRES

Cet outil a été testé avec les accessoires suivants. Pour un fonctionnement d'une sécurité optimale, il est conseillé que seuls ces accessoires soient utilisés avec ce produit.

AVERTISSEMENT : Étant donné qu'aucun autre accessoire n'a été testé avec ce produit, leur utilisation pourrait présenter un danger.

NO. CATALOGUE	DESCRIPTION	LONGUEUR	JAUGE	QTÉ/BOÎTE
NS18050	Agrafe étroite	1/2"	18	5000
NS18063	Agrafe étroite	5/8"	18	5000
NS18075	Agrafe étroite	3/4"	18	5000
NS18088	Agrafe étroite	7/8"	18	5000
NS18088-1	Paquet de 1000 NS18088	7/8"	18	1000
NS18100	Agrafe étroite	1"	18	5000
NS18100-1	Paquet de 1000 NS18100	1"	18	1000
883763	Lunettes de sécurité			
60001	Kit d'entretien « TOP » (HAUT)			
60004	Kit d'entretien « BOTTOM » (BAS)			
60010	Kit d'entretien « DRIVER » (HEURTOIR)			
884293	Huile (pour outils pneumatiques)			
890855	Gâchette de restriction de mode de tir			

GARANTIE LIMITÉE PORTER-CABLE DE UN AN

Porter-Cable garantit ses cloueuses et agrafeuses pour une durée d'un an à partir de la date d'achat initiale. Pendant la période de garantie, nous réparerons ou remplacerons, à notre choix, toute pièce du produit et accessoires couverts par cette garantie si, après examen, la pièce apparaît défectueuse en ce qui concerne le matériau ou la main d'œuvre. Pour réparation ou remplacement, renvoyer l'outil complet ou accessoire, en envoi prépayé, à votre Centre de Service Porter-Cable ou Station Service agréée le plus proche. Il se peut qu'une preuve d'achat soit demandée. Cette garantie ne s'applique pas aux joints toriques, aux lames de heurtoir ou aux réparations et remplacement nécessités par une mauvaise utilisation, un mauvais traitement, l'usure normale ou les réparations entreprises ou effectuées par des personnes n'appartenant pas à nos Centres de Service ou Stations Service agréés.

TOUTE GARANTIE IMPLICITE, MÊME LES GARANTIES IMPLICITES DE VENDABILITÉ ET D'APPLICATION POUR UN BUT PARTICULIER, N'EST VALIDE QUE POUR UNE PÉRIODE D'UN AN À PARTIR DE LA DATE D'ACHAT.

Pour obtenir des renseignements sur la couverture sous garantie, écrire à : PORTER-CABLE CORPORATION, 4825 Highway 45 North, P.O. Box 2468, Jackson, Tennessee 38302-2468 ; Attention : Product Service. L'OBLIGATION QUI PRÉCÈDE EST LA SEULE RESPONSABILITÉ DE PORTER-CABLE SOUS CETTE GARANTIE OU TOUTE GARANTIE IMPLICITE ET, EN AUCUN CAS, PORTER-CABLE NE POURRA ÊTRE TENU RESPONSABLE POUR TOUT DOMMAGE DIRECT OU INDIRECT. Certains états n'admettent pas les limites de durée sur les garanties implicites ou l'exclusion ou la limitation des dommages directs ou indirects. Dans ce cas, la limitation ou exclusion ci-dessus ne s'applique pas.

Cette garantie vous donne des droits légaux spécifiques et il se peut que vous ayez également d'autres droits légaux qui varient d'état à état.

**PORTER-CABLE SERVICE CENTERS
(CENTROS DE SERVICIO DE PORTER-CABLE)
(CENTRE DE SERVICE PORTER-CABLE)**

**Parts and Repair Service for Porter-Cable Power Tools are Available at These Locations
(Obtenga Refaccion de Partes o Servicio para su Herramienta en los Sigüientes Centros de Porter-Cable)
(Locations où vous trouverez les pièces de rechange nécessaires ainsi qu'un service d'entretien)**

ARIZONA Tempe 85282 (Phoenix) 2400 West Southern Avenue Suite 105 Phone: (602) 437-1200 Fax: (602) 437-2200	GEORGIA Forest Park 30297 (Atlanta) 5442 Frontage Road, Suite 112 Phone: (404) 608-0006 Fax: (404) 608-1123	MINNESOTA Minneapolis 55429 4315 68th Avenue North Phone: (612) 561-9080 Fax: (612) 561-0653	Cleveland 44125 8001 Sweet Valley Dr. Unit #19 Phone: (216) 447-9030 Fax: (216) 447-3097
CALIFORNIA Ontario 91761 (Los Angeles) 3949A East Guasti Road Phone: (909) 390-5555 Fax: (909) 390-5554 San Leandro 94577 (Oakland) 3039 Teagarden Street Phone: (510) 357-9762 Fax: (510) 357-7939	ILLINOIS Addison 60101 (Chicago) 311 Laura Drive Phone: (630) 628-6100 Fax: (630) 628-0023	MISSOURI North Kansas City 64116 1141 Swift Avenue P.O. Box 12393 Phone: (816) 221-2070 Fax: (816) 221-2897 St. Louis 63119 7574 Watson Road Phone: (314) 968-8950 Fax: (314) 968-2790	PENNSYLVANIA Willow Grove 19090 520 North York Road Phone: (215) 658-1430 Fax: (215) 658-1433
COLORADO Denver 80216 5855 Stapleton Drive North Suite A-140 Phone: (303) 370-6909 Fax: (303) 370-6969	MARYLAND Elkridge 21075 (Baltimore) 7397-102 Washington Blvd. Phone: (410) 799-9394 Fax: (410) 799-9398	NEW YORK Flushing 11365-1595 (N.Y.C.) 175-25 Horace Harding Expwy. Phone: (718) 225-2040 Fax: (718) 423-9619	TENNESSEE Nashville 37214 2262 Lebanon Pike Phone: (615) 882-0320 Fax: (615) 882-0051
FLORIDA Hialeah 33014 (Miami) 16373-75 NW 57th Ave. Phone: (305) 624-2523 Fax: (305) 628-2654 Tampa 33609 4538 W. Kennedy Boulevard Phone: (813) 877-9585 Fax: (813) 289-7948	MASSACHUSETTS Franklin 02038 (Boston) Franklin Industrial Park 101E Constitution Blvd. Phone: (508) 520-8802 Fax: (508) 528-8089	NORTH CAROLINA Charlotte 28209 4303-B South Boulevard Phone: (704) 525-4410 Fax: (704) 525-0618	TEXAS Dallas 75220 10720 N. Stemmons Freeway Phone: (214) 353-2996 Fax: (214) 350-3943 Houston 77055 West 10 Business Center 1008 Wirt Road, Suite 120 Phone: (713) 682-0334 Fax: (713) 682-4867
	MICHIGAN Troy 48083 (Detroit) 1355 Combermere Phone: (248) 597-5000 Fax: (248) 597-5004	OHIO Columbus 43214 4560 Indianola Avenue Phone: (614) 263-0929 Fax: (614) 263-1238	WASHINGTON Renton 98055 (Seattle) 268 Southwest 43rd Street Phone: (425) 251-6680 Fax: (425) 251-9337

Authorized Service Stations are located in many large cities. Telephone **800-487-8665** or **901-541-6042** for assistance locating one. Parts and accessories for Porter-Cable products should be obtained by contacting any Porter-Cable Distributor, Authorized Service Center, or Porter-Cable Factory Service Center. If you do not have access to any of these, call **888-848-5175** and you will be directed to the nearest Porter-Cable Factory Service Center. Las Estaciones de Servicio Autorizadas están ubicadas en muchas grandes ciudades. Llame al **800-487-8665** ó al **901-541-6042** para obtener asistencia a fin de localizar una. Las piezas y los accesorios para los productos Porter-Cable deben obtenerse poniéndose en contacto con cualquier distribuidor Porter-Cable, Centro de Servicio Autorizado o Centro de Servicio de Fábrica Porter-Cable. Si no tiene acceso a ninguna de estas opciones, llame al **888-848-5175** y le dirigirán al Centro de Servicio de Fábrica Porter-Cable más cercano. Des centres de service agréés sont situés dans beaucoup de grandes villes. Appelez au **800-487-8665** ou au **901-541-6042** pour obtenir de l'aide pour en repérer un. Pour obtenir des pièces et accessoires pour les produits Porter-Cable, s'adresser à tout distributeur Porter-Cable, centre de service agréé ou centre de service d'usine Porter-Cable. Si vous n'avez accès à aucun de ces centres, appeler le **888-848-5175** et on vous dirigera vers le centre de service d'usine Porter-Cable le plus proche.

DELTA SERVICE CENTERS

ALBERTA Bay 6, 2520-23rd St. N.E. Calgary, Alberta T2E 8L2 Phone: (403) 735-6166 Fax: (403) 735-6144	MANITOBA 1699 Dublin Avenue Winnipeg, Manitoba R3H 0H2 Phone: (204) 633-9259 Fax: (204) 632-1976	QUÉBEC 1515 ave. St-Jean Baptiste, Québec, Québec G2E 5E2 Phone: (418) 877-7112 Fax: (418) 877-7123
BRITISH COLUMBIA 8520 Baxter Place Burnaby, B.C. V5A 4T8 Phone: (604) 420-0102 Fax: (604) 420-3522	ONTARIO 644 Imperial Road Guelph, Ontario N1H 6M7 Phone: (519) 836-2840 Fax: (519) 767-4131	1447, Begin St-Laurent, (Montréal), Québec H4R 1V8 Phone: (514) 336-8772 Fax: (514) 336-3505

The following are trademarks of PORTER-CABLE Corporation (Las siguientes son marcas registradas de PORTER-CABLE S.A.) (Les marques suivantes sont des marques de fabricant de la PORTER-CABLE Corporation): PORTER-CABLE®, OMNIJIG®, POCKET CUTTER®, PORTA-BAND®, PORTA-PLANE®, QUICKSAND®, VERSA-PLANE®, SANDTRAP®, SAW BOSS®, SPEED-BLOC®, SPEEDMATIC®, SPEEDTRONIC®, STAIR-EASE®, THE PROFESSIONAL EDGE®, TIGER CUB®, TIGER SAW®, TORQ-BUSTER®, DURATRONIC™, FRAME SAW™, JETSTREAM™, MICRO-SET™, MORTEN™, PROFESSIONAL SELECT™, QUIK-CHANGE™, TRU-MATCH™, WOODWORKER'S CHOICE™.

Trademarks noted with ® are registered in the United States Patent and Trademark Office and may also be registered in other countries. Las Marcas Registradas con el signo de ® son registradas por la Oficina de Registros y Patentes de los Estados Unidos y también pueden estar registradas en otros países. Marques déposées, indiquées par la lettre ®, sont déposées au Bureau des brevets d'invention et marques déposées aux Etats-Unis et pourraient être déposées aux autres pays.