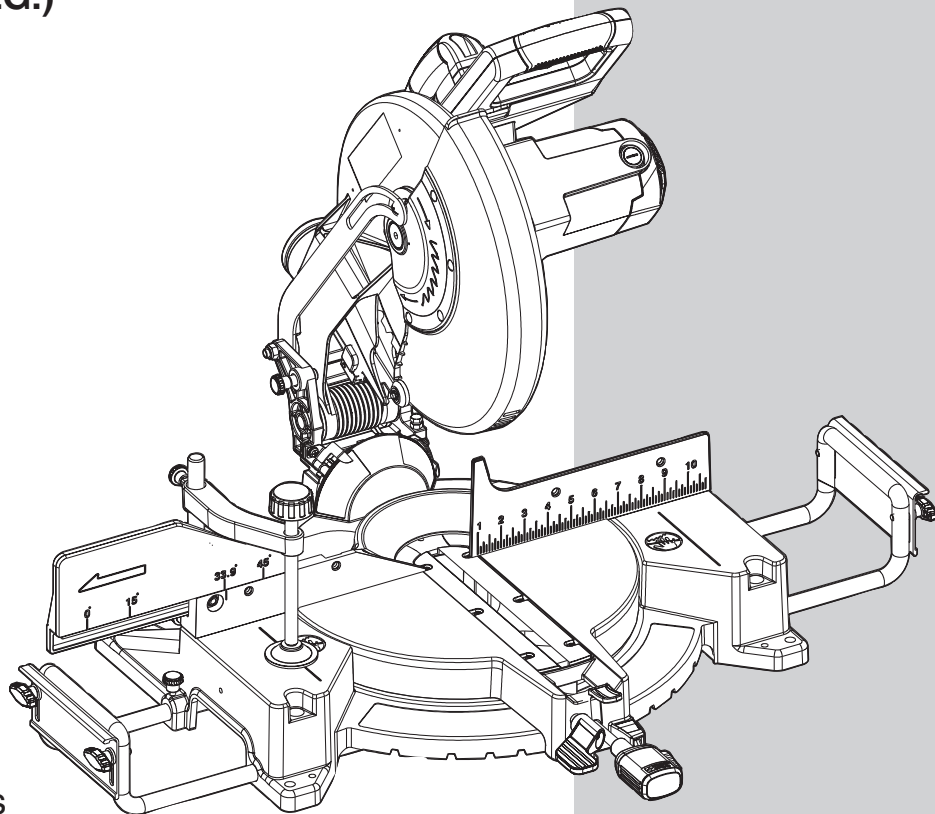


PORTER CABLE®

12 IN. (305 MM) COMPOUND MITER SAW

**SCIE À ONGLETS COMBINÉSSCIE 305 MM
(12 PO)**

**SIERRA INGLETEADORA COMPUESTA
DE 305 MM (12 PULG.)**



Instruction Manual
Manuel d'instructions
Manual de instrucciones

www.portercable.com

INSTRUCTIVO DE OPERACIÓN, CENTROS DE
SERVICIO Y PÓLIZA DE GARANTÍA.

⚠ ADVERTENCIA: LÉASE ESTE INSTRUCTIVO
ANTES DE USAR EL PRODUCTO.

**CATALOG NUMBER
PCB120MS**

TABLE OF CONTENTS

SECTION	PAGE
PRODUCT SPECIFICATIONS.....	2
CALIFORNIA PROPOSITION 65.....	3
SAFETY GUIDELINES - DEFINITIONS	3
POWER TOOL SAFETY	4
MITER SAW SAFETY.....	6
ELECTRICAL REQUIREMENTS AND SAFETY.....	7
TOOLS NEEDED FOR ASSEMBLY.....	8
CARTON CONTENTS.....	8
UNPACKING YOUR MITER SAW	9
KNOW YOUR MITER SAW	10
GLOSSARY OF TERMS.....	11
ASSEMBLY AND ADJUSTMENTS.....	12
OPERATION	18
MAINTENANCE.....	25
TROUBLESHOOTING GUIDE.....	26
ACCESSORIES AND ATTACHMENTS.....	27
PARTS LIST.....	28
WARRANTY.....	32

PRODUCT SPECIFICATIONS

MOTOR

Power Source..... 120 V AC, 60 Hz, 15 A

Speed (No load)..... 4200 RPM

Brake Yes

Double Insulated Yes

BLADE

Diameter 12 in. (305 mm)

Arbor 1 in. with 5/8 in. collar (25.4 mm with 15.9 mm collar)

CUTTING CAPACITY (Dimensional lumber)

Cross Cut 0° x 0°..... 4 x 6 in., 2 x 8 in.
(101.6 x 152.4 mm, 50.8 x 203.2 mm)

Miter Cut 45° x 0° 4 x 4 in., 2 x 6 in.
(101.6 x 101.6 mm, 50.8 x 152.4 mm)

Bevel Cut 0° x 45° 2 x 8 in. (50.8 x 203.2 mm)

Compound Cut 45° x 45° 2 x 6 in. (50.8 x 152.4 mm)

Crown Molding Nested 5 in. (127 mm)

Base Molding Against Fence ... 4-5/8 in. (117.5 mm)

ROTATING TABLE

Miter Detent Stops..... 0°, 15°, 22.5°, 31.6°, 45° R & L

Bevel Positive Stops..... 0°, 33.9°, 45° L

WARNING

To avoid electrical hazards, fire hazards or damage to the tool, use proper circuit protection. Use a separate electrical circuit for your tools.

The miter saw is wired at the factory for 110-120 Volt operation. It must be connected to a 110-120 Volt / 15 Ampere time delay fuse or circuit breaker. To avoid shock or fire, replace power cord immediately if it is worn, cut or damaged in any way.

CALIFORNIA PROPOSITION 65

WARNING

Some dust created by power sanding, sawing, grinding, drilling and other construction activities contains chemicals known to the state of California to cause cancer, birth defects or other reproductive harm. Some examples of these chemicals are:

- Lead from lead-based paints,
- Crystalline silica from bricks and cement and other masonry products, and
- Arsenic and chromium from chemically-treated lumber.

Your risk from these exposures varies, depending on how often you do this type of work. To reduce your exposure to these chemical: work in a well ventilated area, and work with approved safety equipment, such as those dust masks that are specially designed to filter out microscopic particles.

Avoid prolonged contact with dust from power sanding, sawing, grinding, drilling, and other construction activities. Wear protective clothing and wash exposed areas with soap and water. Allowing dust to get into your mouth, eyes, or lay on the skin may promote absorption of harmful chemicals.

WARNING

Use of this tool can generate and/or disperse dust, which may cause serious and permanent respiratory or other injury. Always use NIOSH/OSHA approved respiratory protection appropriate for the dust exposure. Direct particles away from face and body.

SAFETY GUIDELINES - DEFINITIONS

WARNING ICONS

Your power tool and its Instruction Manual may contain “WARNING ICONS” (a picture symbol intended to alert you to and/or instruct you how to avoid a potentially hazardous condition). Understanding and heeding these symbols will help you operate your tool better and safer. Shown below are some of the symbols you may see.



SAFETY ALERT: Precautions that involve your safety



PROHIBITION



WEAR EYE PROTECTION: Always wear safety goggles or safety glasses with side shields.



WEAR RESPIRATORY AND HEARING PROTECTION: Always wear respiratory and hearing protection.



READ AND UNDERSTAND INSTRUCTION MANUAL: To reduce the risk of injury, user and all bystanders must read and understand instruction manual before using this product.



KEEP HANDS AWAY FROM THE MOVING PART AND CUTTING SURFACE: Failure to keep your hands away from the moving part and cutting surface will result in serious personal injury.



SUPPORT AND CLAMP WORK

DANGER

DANGER: Indicates an imminently hazardous situation which, if not avoided, will result in death or serious injury.

WARNING

WARNING: Indicates a potentially hazardous situation which, if not avoided, could result in death or serious injury.

CAUTION

CAUTION: Indicates a potentially hazardous situation which, if not avoided, may result in minor or moderate injury.

CAUTION

CAUTION: Used without the safety alert symbol indicates potentially hazardous situation which, if not avoided, may result in property damage.

POWER TOOL SAFETY


GENERAL SAFETY INSTRUCTIONS

BEFORE USING THIS POWER TOOL

Safety is a combination of common sense, staying alert and knowing how to use your power tool.

WARNING


- **To avoid mistakes that could cause serious injury, do not plug the tool in until you have read and understood the following.**
- **Read all instructions before operating product. Failure to follow all instructions listed below may result in electric shock, fire and/or serious injury.**

1.  **READ** and become familiar with the entire Instruction Manual. **LEARN** the tool's application, limitations and possible hazards.
2. **KEEP GUARDS IN PLACE** and in working order.
3. **REMOVE ADJUSTING KEYS AND WRENCHES.** Form the habit of checking to see that keys and adjusting wrenches are removed from the tool before turning ON.
4. **KEEP WORK AREA CLEAN.** Cluttered areas and benches invite accidents.
5. **DO NOT USE IN DANGEROUS ENVIRONMENTS.** Do not use power tools in damp locations, or expose them to rain or snow. Keep work area well lit.
6. **KEEP CHILDREN AWAY.** All visitors and bystanders should be kept a safe distance from work area.
7. **MAKE WORKSHOP CHILD PROOF** with padlocks, master switches or by removing starter keys.
8. **DO NOT FORCE THE TOOL.** It will do the job better and safer at the rate for which it was designed.
9. **USE THE RIGHT TOOL.** Do not force the tool or an attachment to do a job for which it was not designed.
10. **USE PROPER EXTENSION CORDS.** Make sure your extension cord is in good condition. When using an extension cord, be sure to use one heavy enough to carry the current your product will draw. An undersized cord will result in a drop in line voltage and in loss of power which will cause the tool to overheat. The table on page 7 shows the correct size to use depending on cord length and nameplate

ampere rating. If in doubt, use the next heavier gauge. The smaller the gauge number, the heavier the cord.

11. **WEAR PROPER APPAREL.** Do not wear loose clothing, gloves, neckties, rings, bracelets or other jewelry which may get caught in moving parts. Nonslip footwear is recommended. Wear protective hair covering to contain long hair.
12.  **ALWAYS WEAR EYE PROTECTION.** Any power tool can throw foreign objects into the eyes and could cause permanent eye damage. **ALWAYS** wear Safety Goggles (not glasses) that comply with ANSI Safety standard Z87.1. Everyday eyeglasses have only impact-resistant lenses. They **ARE NOT** safety glasses. **NOTE:** Glasses or goggles not in compliance with ANSI Z87.1 could seriously injure you when they break.
13.  **WEAR A FACE MASK OR DUST MASK.** Sawing operation produces dust.
14.  **SECURE WORK.** Use clamps or a vise to hold work when practical. It is safer than using your hand and it frees both hands to operate the tool.
15. **DISCONNECT TOOLS FROM POWER SOURCE** before servicing, and when changing accessories such as blades, bits and cutters.
16. **REDUCE THE RISK OF UNINTENTIONAL STARTING.** Make sure switch is in the OFF position before plugging the tool in.
17. **USE RECOMMENDED ACCESSORIES.** Consult this Instruction Manual for recommended accessories. The use of improper accessories may cause risk of injury to yourself or others.
18. **NEVER STAND ON THE TOOL.** Serious injury could occur if the tool is tipped or if the cutting tool is unintentionally contacted.
19. **CHECK FOR DAMAGED PARTS.** Before further use of the tool, a guard or other part that is damaged should be carefully checked to determine that it will operate properly and perform its intended function – check for alignment of moving parts, binding of moving parts, breakage of parts, mounting and any other conditions that may affect its operation. A guard or other part that is damaged should be properly repaired or replaced.

POWER TOOL SAFETY

20. **NEVER LEAVE THE TOOL RUNNING UNATTENDED. TURN THE POWER “OFF”.** Do not walk away from a running tool until the blade comes to a complete stop and the tool is unplugged from the power source.
21. **DO NOT OVERREACH.** Keep proper footing and balance at all times.
22. **MAINTAIN TOOLS WITH CARE.** Keep tools sharp and clean for best and safest performance. Follow instructions for lubricating and changing accessories.
23. **DO NOT** use power tool in presence of flammable liquids or gases.
24. **DO NOT** operate the tool if you are under the influence of any drugs, alcohol or medication that could affect your ability to use the tool properly.
25. Dust generated from certain materials can be hazardous to your health. Always operate saw in well-ventilated area and provide for proper dust removal.
26.  **WEAR HEARING PROTECTION** to reduce the risk of induced hearing loss.

MITER SAW SAFETY

SPECIFIC SAFETY INSTRUCTIONS FOR THIS COMPOUND MITER SAW

1. **DO NOT USE THIN KERF BLADES** they can deflect and contact guard and can cause possible injury to the operator.
2. **DO NOT** operate the miter saw until it is completely assembled and installed according to these instructions.
3. **IF YOU ARE NOT** thoroughly familiar with the operation of miter saws, seek guidance from your supervisor, instructor or other qualified person.
4. **ALWAYS** hold the work firmly against the fence and table. **DO NOT** perform any operation free hand (use clamp wherever possible).
5. **KEEP HANDS** out of the path of the saw blade. If the workpiece you are cutting would cause your hands to be within 8-1/2 in. (216 mm) of the saw blade, the workpiece should be clamped in place before making the cut.
6. **BE SURE** the blade is sharp, runs freely and is free of vibration.
7. **ALLOW** the motor to come up to full speed before starting a cut.
8. **KEEP THE MOTOR AIR SLOTS CLEAN** and free of chips or dust.
9. **ALWAYS MAKE SURE** all handles are tight before cutting, even if the table is positioned in one of the positive stops.
10. **BE SURE** both the blade and the collar are clean and the arbor bolt is tightened securely.
11. **USE** only blade collars specified for your saw.
12. **NEVER** use blades larger in diameter than 12 in. (305 mm).
13. **NEVER** apply lubricants to the blade when it is running.
14. **ALWAYS** check the blade for cracks or damage before operation. Replace a cracked or damaged blade immediately.
15. **NEVER** use blades recommended for operation at less than 4200 RPM.
16. **ALWAYS** keep the blade guards in place and use at all times.
17. **NEVER** reach around the saw blade.
18. **MAKE SURE** the blade is not contacting the workpiece before the switch is turned ON.
19. **IMPORTANT:** After completing the cut, release the trigger and wait for the blade to stop before returning the saw to the raised position.
20. **MAKE SURE** the blade has come to a complete stop before removing or securing the workpiece, changing the workpiece angle or changing the angle of the blade.
21. **NEVER** cut metals or masonry products with this tool. This miter saw is designed for use on wood and wood-like products.
22. **NEVER** cut small pieces. If the workpiece being cut would cause your hand or fingers to be within 8-1/2 in. (216 mm) of the saw blade the workpiece is too small.
23. **PROVIDE** adequate support to the sides of the saw table for long work pieces.
24. **NEVER** use the miter saw in an area with flammable liquids or gases.
25. **NEVER** use solvents to clean plastic parts. Solvents could possibly dissolve or otherwise damage the material.
26. **SHUT OFF** the power before servicing or adjusting the tool.
27. **DISCONNECT** the saw from the power source and clean the machine when finished using.
28. **MAKE SURE** the work area is clean before leaving the machine.
29. **SHOULD** any part of your miter saw be missing, damaged, or fail in any way, or any electrical component fail to perform properly, lock the switch and remove the plug from the power supply outlet. Replace missing, damaged, or failed parts before resuming operation.

ELECTRICAL REQUIREMENTS AND SAFETY

POWER SUPPLY AND MOTOR SPECIFICATIONS

The AC motor used in this saw is a universal, nonreversible type. See “MOTOR” in the “PRODUCT SPECIFICATIONS” section on page 2.

⚠ WARNING

To avoid electrical hazards, fire hazards, or damage to the tool, use proper circuit protection. Your saw is wired at the factory for 120 V operation. Connect to a 120 V, 15 A circuit and use a 15 A time delay fuse or circuit breaker. To avoid shock or fire, if power cord is worn or cut, or damaged in any way, have it replaced immediately.

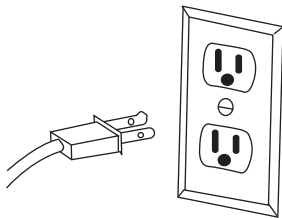
ELECTRICAL REQUIREMENTS

DOUBLE INSULATED

The power tool is double insulated to provide a double thickness of insulation between you and tool’s electrical system. All exposed metal parts are isolated from the internal metal motor components with protecting insulation.

Replacement parts – When servicing, use only identical replacement parts.

Polarized plugs – This saw has a plug that looks like the one shown below:



To reduce the risk of electrical shock, this saw has a polarized plug (one blade is wider than the other). This plug will fit in a polarized outlet only one way. If the plug does not fit fully in the outlet, reverse the plug. If it still does not fit, contact a qualified electrician to install the proper outlet. Do not change the plug in any way.

⚠ WARNING

Double insulation does not take the place of normal safety precautions when operating this tool.

To avoid electrocution:

1. Use only identical replacement parts when servicing a tool with double insulation. Servicing should be performed by a qualified technician.
2. Do not use power tools in wet or damp locations or expose them to rain or snow.

MOTOR SAFETY PROTECTION IMPORTANT

To avoid motor damage, the motor should be blown out or vacuumed frequently to keep sawdust from interfering with the motor ventilation.

1. **Connect** this saw to a 120 V circuit. This circuit must not be less than a #12 wire with a 20 A time lag fuse or a #14 wire with a 15 A time lag fuse. **NOTE:** When using an extension cord on a circuit with a #14 wire, the extension cord must not exceed 25 feet in length.
2. If the motor will not start, release the trigger switch immediately. **UNPLUG THE SAW.** Check the saw blade to make sure it turns freely. If the blade is free, try to start the saw again. If the motor still does not start, refer to the **TROUBLESHOOTING GUIDE.**

3. If the tool suddenly stalls while cutting wood, release the trigger switch, unplug the tool and free the blade from the wood. The saw may now be started and the cut finished.
4. **FUSES** may “blow” or circuit breakers may trip frequently if:
 - a. **MOTOR** is overloaded – overloading can occur if you feed too rapidly or make too many start/stops in a short time.
 - b. **LINE VOLTAGE** is more than 10% above or below the nameplate voltage rating. For heavy loads, the voltage at motor terminals must equal the voltage specified on the nameplate.
 - c. **IMPROPER** or dull saw blades are used.
5. Most motor troubles may be traced to loose or incorrect connections, overload, low voltage or inadequate power supply wiring. Always check the connections, the load and supply circuit if the motor doesn’t run well. Check minimum gauge for the length of cord you are using on the chart below.

GUIDELINES FOR EXTENSION CORDS

Use a proper extension cord. Make sure your extension cord is in good condition. When using an extension cord, be sure to use one heavy enough to carry the current your product will draw. An undersized cord will cause a drop in line voltage, resulting in loss of power and overheating. The table below shows the correct size to use depending on cord length and nameplate ampere rating. If in doubt, use the next heavier gauge. The smaller the gauge number, the heavier the cord.

Be sure your extension cord is properly wired and in good condition. Always replace a damaged extension cord or have it repaired by a qualified person before using it. Protect your extension cords from sharp objects, excessive heat and damp or wet areas.

Use a separate electrical circuit for your tools. This circuit must not be less than a #12 wire with a 20 A time lag fuse or a #14 wire with a 15 A time lag fuse. **NOTE:** When using an extension cord on a circuit with a #14 wire, the extension cord must not exceed 25 feet in length. Before connecting the tool to the power line, make sure the switch is in the OFF position and the electric current is rated the same as the current stamped on the motor nameplate, running at a lower voltage will damage the motor.

MINIMUM GAUGE FOR EXTENSION CORDS (AWG)

(When using 120 volts only)

Ampere Rating		Total length of Cord			
More Than	Not More Than	25ft.	50ft.	100ft.	150ft.
0	6	18	16	16	14
6	10	18	16	14	12
10	12	16	16	14	12
12	16	14	12	Not Recommended	

CAUTION: In all cases make certain the receptacle in question is properly grounded. If you are not sure, have a certified electrician check the receptacle.

TOOLS NEEDED FOR ASSEMBLY

Supplied

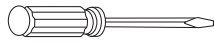


Blade wrench

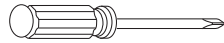


4 mm hex key

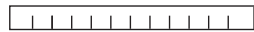
Not Supplied



Flat bladed
screwdriver



Phillips screwdriver



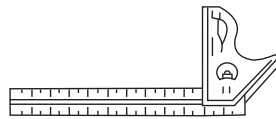
Straight edge



Adjustable wrench
and/or 8 mm, 10 mm
wrench



2.5 mm, 6 mm
hex key



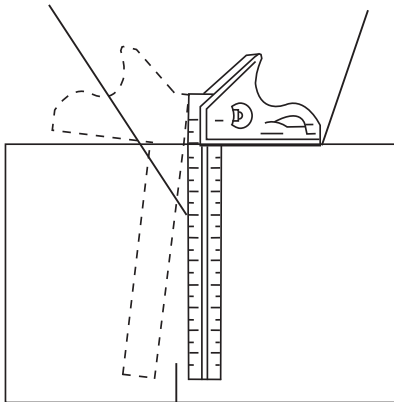
Combination square

COMBINATION SQUARE MUST BE TRUE

Should not gap or overlap when square is flipped over (see dotted figure).

Draw light line on board along this edge.

Straight edge or a 3/4 in. (19 mm) board, this edge must be perfectly straight.



Gap from untrue square when flipped over.

CARTON CONTENTS

UNPACKING AND CHECKING CONTENTS

Carefully unpack the miter saw and all its parts, and compare against the list below and the illustration on the next page. With the help of an assistant place the saw on a secure surface and examine it carefully.

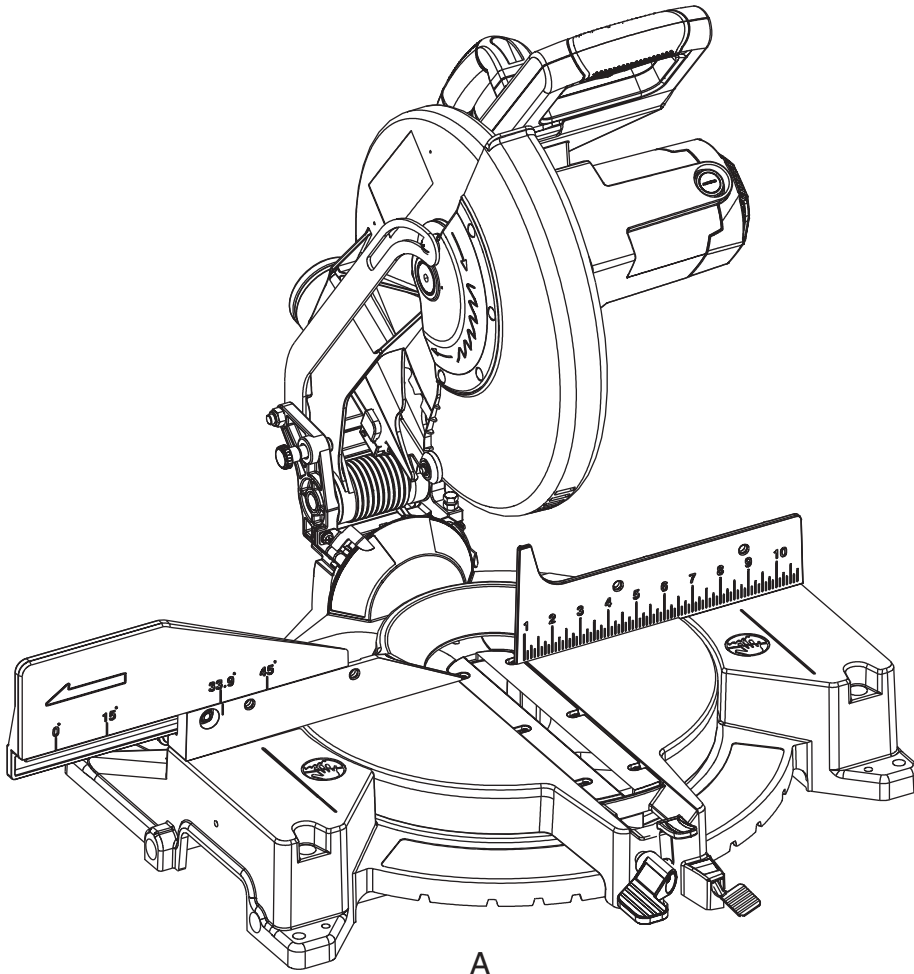
⚠ WARNING

- To avoid injury from unexpected starting or electrical shock, do not plug the power cord into a source of power during unpacking and assembly. The cord must remain unplugged whenever you are adjusting/assembling the miter saw.
- The miter saw is heavy and should be lifted with care.
- If any part is missing or damaged, do not attempt to assemble the miter saw, or plug in the power cord until the missing or damaged part is correctly replaced.

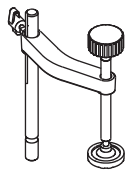
TABLE OF LOOSE PARTS

ITEM	DESCRIPTION	Q'TY
A.	Miter saw	1
B.	Material clamp	1
C.	Miter table handle	1
D.	4 mm hex key	1
E.	Blade wrench	1
F.	Dust bag	1
G.	Extension wing hardware assembly	1
	Arm bracket	2
	Flat washer	4
	Locking knob	4
	Locking screw	2
H.	Extension wings	2

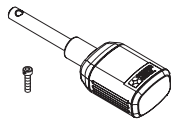
UNPACKING YOUR MITER SAW



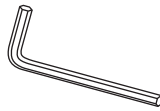
A



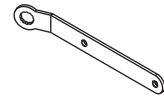
B



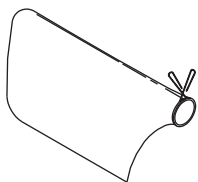
C



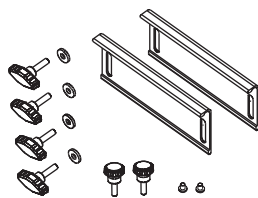
D



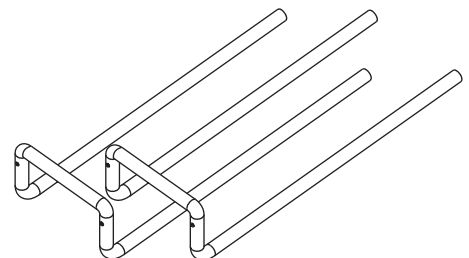
E



F

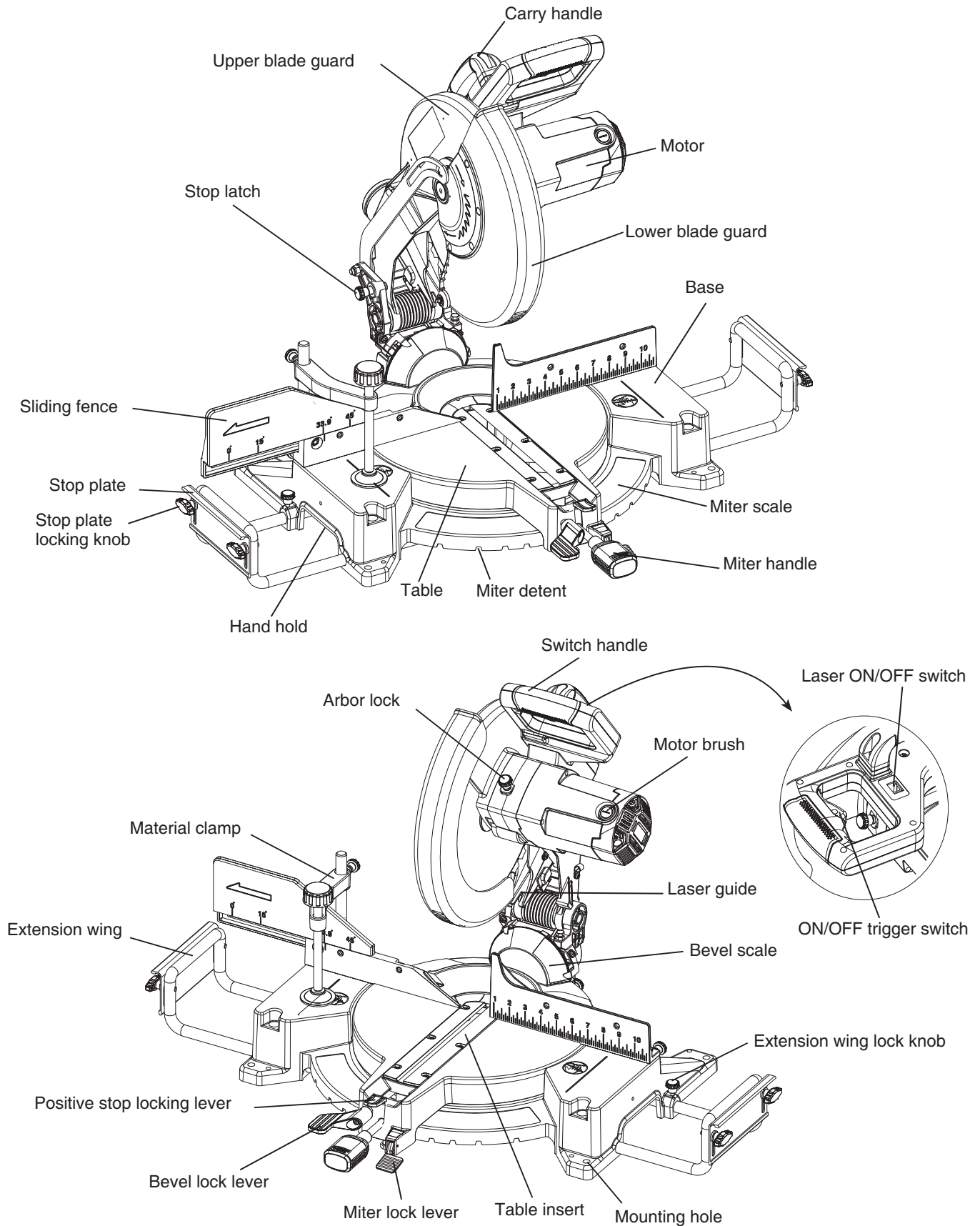


G



H

KNOW YOUR MITER SAW



GLOSSARY OF TERMS

COMPOUND MITER SAW TERMS

ARBOR LOCK – Allows the user to keep the blade from rotating while tightening or loosening the arbor bolt during blade replacement or removal.

BASE – Supports the table, holds accessories and allows for workbench or leg set mounting.

BEVEL LOCKING HANDLE – Locks the miter saw at a desired bevel angle.

BEVEL SCALE – To measure the bevel angle of the saw blade 0° to 45° left.

COVER PLATE SCREW – Loosen this screw and rotate the plate for access to the blade arbor bolt.

FENCE – Helps to keep the workpiece from moving when sawing. Scaled to assist with accurate cutting.

LOWER BLADE GUARD – Helps protect your hands from the blade in the raised position, it retracts as the blade is lowered.

MITER HANDLE – Used to rotate the table, and to rotate the saw to a right or left cutting position.

MITER SCALE – Measures the miter angle 0° to 45° left and right.

MOUNTING HOLES – To mount the miter saw to a stable surface.

ON/OFF TRIGGER SWITCH – To start the tool, squeeze the trigger. Release the trigger to turn off the miter saw.

POSITIVE STOP LOCKING LEVER – Locks the miter saw at a preset positive stop for the desired miter angle.

STOP LATCH – Locks the miter saw in the lowered position for compact storage and transportation.

SWITCH HANDLE – The switch handle contains the trigger switch and the laser on/off switch. The blade is lowered into the workpiece by pushing down on the handle. The saw will return to its upright position when the handle is released.

WARNING LABELS – Read and understand for your own safety. Make sure all labels are present on machine and legible.

WRENCH STORAGE – Convenient storage to prevent misplacing the blade wrench.

WOODWORKING TERMS

ARBOR – The shaft on which a blade is mounted.

BEVEL CUT – An angle cut made through the face of the workpiece.

COMPOUND CUT – A simultaneous bevel and miter cut.

CROSS CUT – A cut made across the width of the workpiece.

FREEHAND – Performing a cut without using a fence (guide), hold down or other proper device to prevent the workpiece from twisting during the cutting operation.

GUM – A sticky sap from wood products.

HEEL – Misalignment of the blade.

KERF – The amount of material removed by blade cut.

MITER CUT – An angle cut made across the width of the workpiece.

RESIN – A sticky sap that has hardened.

REVOLUTIONS PER MINUTE (RPM) – The number of turns completed by a spinning object in one minute.

SAW BLADE PATH – The area of the workpiece or table top directly in line with the travel of the blade or the part of the workpiece which will be cut.

SET – The distance between two saw blade tips, bent outward in opposite directions to each other. The further apart the tips are, the greater the set.

WORKPIECE – The item being cut. The surfaces of a workpiece are commonly referred to as faces, ends and edges.

ASSEMBLY AND ADJUSTMENTS

Estimated Assembly Time: 10 - 25 Minutes

ASSEMBLY INSTRUCTIONS

CUTTING HEAD RAISING (FIG. A)

1. Push down slightly on the switch handle (1).
2. Pull out the stop latch (2).
3. Allow the cutting head to rise to the up position.

⚠ WARNING

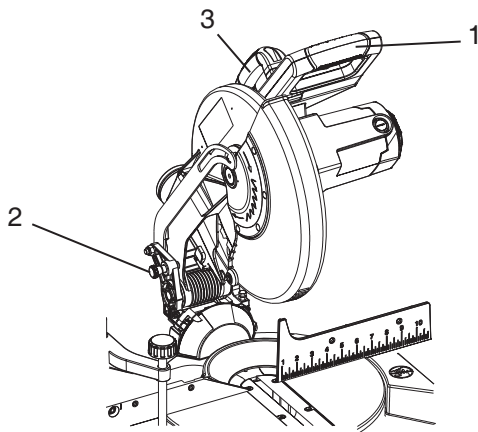
To avoid injury and damage to the saw, transport or store the miter saw with the cutting head locked in the down position. Never use the stop latch to hold the cutting head in a down position for cutting operations.

LOCKING (FIG. A)

When transporting or storing the miter saw, the cutting head should always be locked in the down position.

1. Push the cutting head down to its lowest position.
 2. Push the stop latch (2) into the locking hole.
- IMPORTANT:** To avoid damage, never carry the miter saw by the switch handle, the cutting arm or the miter table handle. ALWAYS use the designated carrying handle (3).

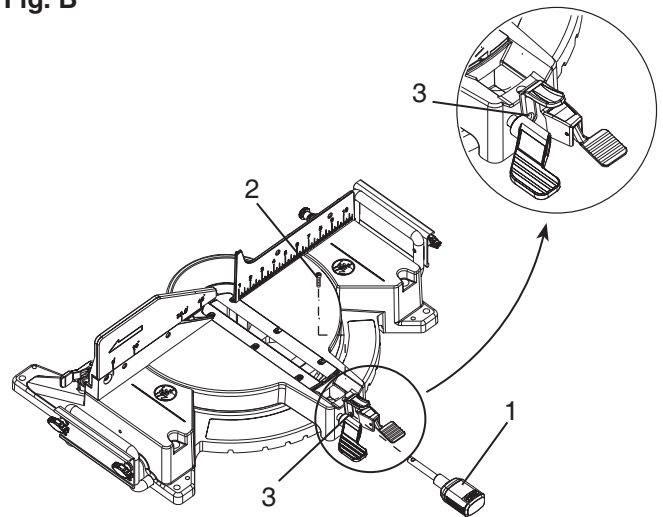
Fig. A



INSTALLING THE MITER HANDLE (FIG. B)

1. Insert the miter handle (1) into the opening in the miter table.
 2. Insert the screw (2) into the hole (3) located at the front of the miter table with a 4 mm hex key.
 3. Tighten with a 4 mm hex key.
- NOTE:** You need to align the hole in the miter handle with the screw.

Fig. B



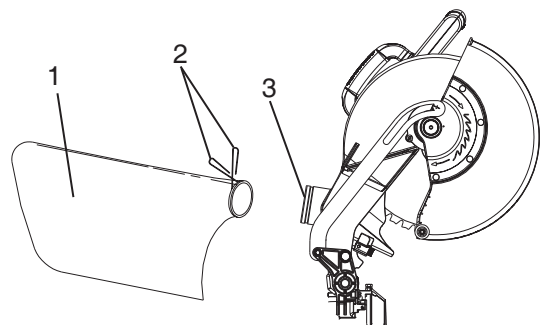
INSTALLING THE DUST BAG (FIG. C)

1. Squeeze the metal collar wings (2) on the dust bag (1).
2. Place the dust bag neck opening around the exhaust port (3), and release the metal collar wings.

⚠ WARNING

- Do not use this saw to cut and/or sand metals. The hot chips or sparks may ignite sawdust or the bag material.
- To prevent hazard, clean and remove sawdust from under the saw frequently.

Fig. C



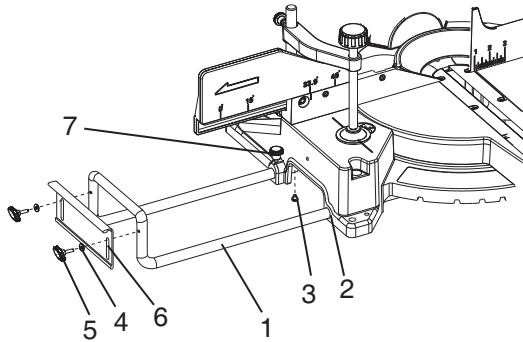
INSTALLING THE EXTENSION WINGS (FIG. D)

1. Slide the extension wing (1) into the mounting holes (2) on the left side of saw blade. Make sure the rods go thru both set of holes in the base.
2. Thread the small bolt (3) into the hole on the end of the extension wing rod then tighten with a Phillips screwdriver.
3. Place one flat washer (4) onto one lock knob (5), insert through the arm bracket (6) and thread into the extension wing. Repeat for second lock knob.

- Thread the extension wing lock knob (7) into the threaded hole in the base to lock the extension wing into place.
- Repeat steps 1 through 4 for the right side extension.

NOTE: The arm brackets serve two purposes: To act as a stop block for repetitive cuts and to level the workpiece when the extension wings are fully extended for additional work support.

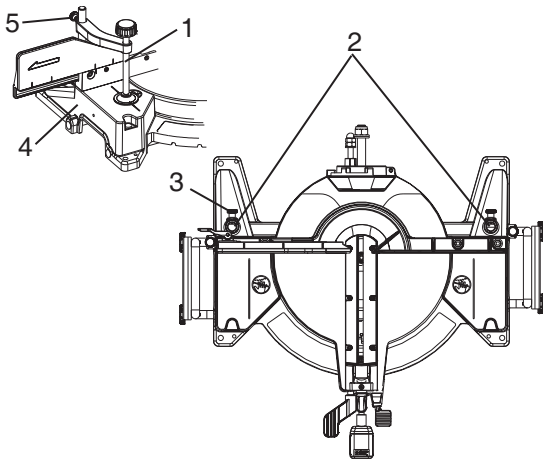
Fig. D



INSTALLING THE MATERIAL CLAMP ASSEMBLY (FIG. E)

- Loosen the lock knob (3) from the rear side of the saw base (4).
- Place the material clamp assembly (1) in one of the mounting holes (2).
- Tighten the lock knob (3).

Fig. E

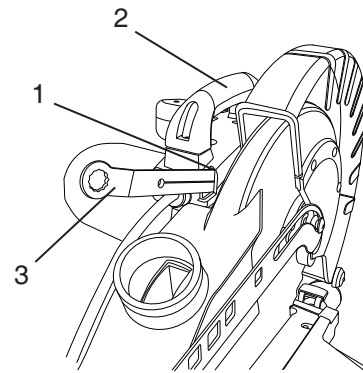


- The height of the clamp assembly can be adjusted by loosening knob (5) located in the back of clamp.

SAW BLADE WRENCH (FIG. F)

- For convenient storage and prevention of loss, there is a slot (1) in the rear of the carrying handle (2) for storing the blade wrench (3) when not in use.

Fig. F



REMOVING OR INSTALLING THE BLADE

⚠ WARNING

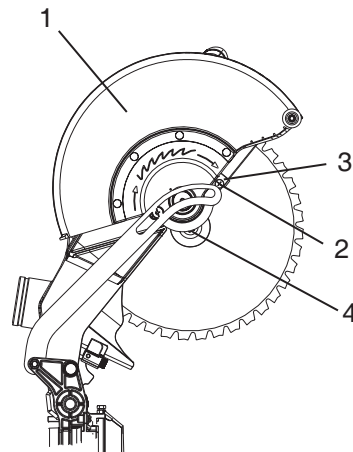
Only use a 12 in. (305 mm) diameter blade. To avoid injury from an accidental start, make sure the switch is in the OFF position and plug is not connected to the power source outlet.

REMOVING BLADE (FIG. G, H, I)

NOTE: The saw has a 5/8 in. (15.9 mm) diameter arbor. If you are using a saw blade with a 1 in. (25.4 mm) arbor diameter hole, you will need to use a 5/8 in. (15.9 mm) reducer (provided with unit).

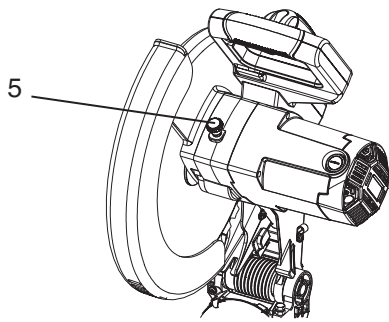
- Unplug the saw from the outlet.
- Allow the cutting head to rise to the upright position. Raise the lower blade guard (1) to the up position. (Fig. G)
- Loosen the cover plate screw (2) with a Phillips screwdriver.
- Rotate the cover plate (3) towards the rear of the tool to expose the arbor bolt (4).
- Place the blade wrench over the arbor bolt.

Fig. G



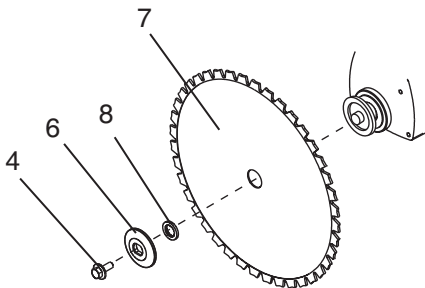
- Locate the arbor lock (5) on the motor, below the switch handle. (Fig. H)
- Press the arbor lock, holding it in firmly while turning the blade wrench clockwise. The arbor lock will engage after turning the wrench. Continue to hold the arbor lock in to keep it engaged, while turning the wrench clockwise to loosen the arbor bolt.

Fig. H



8. Remove the arbor bolt/washer (4), outer arbor collar (6), reducer (8) and the blade (7). Do not remove the inner blade collar. (Fig. I)

Fig. I



NOTE: Pay attention to the pieces removed, noting their position and direction they face. Wipe the blade collars clean of any sawdust before installing a new blade. Also, the 12 in. (305 mm) blade has a 1 in. (25.4 mm) arbor hole with a 5/8 in. (15.9 mm) reducer to mount onto the saw.

INSTALLING BLADE (FIG. G, H, I)

Unplug the miter saw before changing/installing the blade.

1. Install a 12 in. (305 mm) blade with a 5/8 in. (15.9 mm) arbor (or a 1 in. (25.4 mm) arbor with a 5/8 in. (15.9 mm) reducer) making sure the rotation arrow on the blade matches the clockwise rotation arrow on the upper guard, and the blade teeth are pointing downward.
2. Place the blade collar (6) against the blade and on the arbor. Thread the arbor bolt (4) onto the arbor (Fig. I) in a counterclockwise direction.
IMPORTANT: Make sure the flats of the blade collars are engaged with the flats on the arbor shaft. Also, the flat side of the blade collar must be placed against the blade.
3. Place the blade wrench on the arbor bolt.
4. Press the arbor lock (5), holding it in firmly while turning the blade counterclockwise. When arbor lock engages, continue to press it in while tightening the arbor bolt securely.
5. Rotate the cover plate (3) back to its original position until the slot in the cover plate engages with the cover plate screw (2). While holding the lower blade

guard, tighten the screw with a Phillips screwdriver. (Fig. G) **NOTE:** The lower blade guard must be raised to the upright position to access the cover plate screw.

6. Lower the blade guard (1) and verify that the operation of the guard does not bind or stick.
7. Be sure the arbor lock is released so the blade turns freely.

CAUTION

- To avoid injury, never use the saw without the cover plate secure in place. It keeps the arbor bolt from falling out if it accidentally loosens and helps prevent the spinning blade from coming off the saw.
- Make sure the collars are clean and properly arranged. Lower the blade into the lower table and check for any contact with the metal base or the miter table.
- To avoid injury from an accidental start, make sure the switch is in the OFF position and the plug is not connected to the power source outlet.

MOUNTING THE MITER SAW (FIG. J, K)

To avoid injury from unexpected saw movement:

- Before moving the saw, disconnect the power cord from the outlet, and lock the cutting arm in the lower position using the stop latch.
NOTE: The stop latch is for carrying or storing the tool. It is not to be used for holding the saw while cutting. Lower blade and press in stop latch to secure saw for transport or storage.
- Never carry the miter saw by the power cord or by the switch handle. Carrying the tool by the power cord could cause damage to the insulation or wire connections resulting in electric shock or fire.
- To avoid injury from flying debris, do not allow visitors to stand behind the saw.
- Place the saw on a firm, level work-surface where there is room for handling and properly supporting the workpiece.
- Support the saw on a level work surface.
- Bolt or clamp the saw to its support.

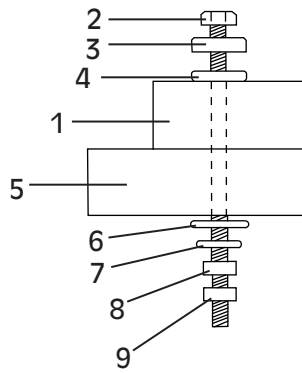
Place the saw in the desired location, either on a work bench or recommended leg set. The base of the saw has four mounting holes.

MOUNTING INSTRUCTIONS

1. **For stationary use**, place the saw in the desired location, directly on a workbench where there is room for handling and proper support of the workpiece. The base of the saw has four mounting holes. Bolt the base of the miter saw (1) to the workbench (5), using the fastening method as shown in Fig. J.

Fig. J

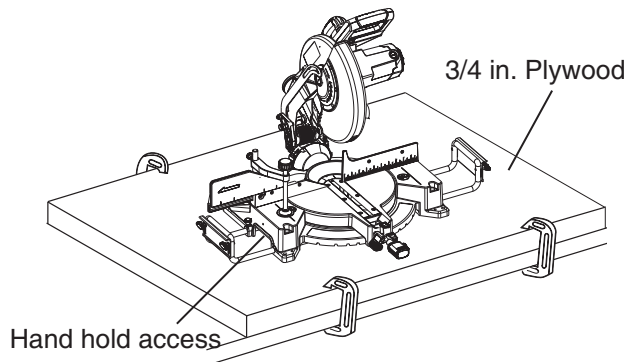
1. Miter saw base
2. Hex head bolt
3. Rubber washer
4. Flat washer
5. Workbench
6. Flat washer
7. Lockwasher
8. Hex nut
9. Jam nut



NOTE: Mounting hardware is not included with this tool. Bolts, nuts, washers, and screws must be purchased separately.

2. **For portable use**, place the saw on a 3/4 in. (19 mm) thick piece of plywood. Bolt the base of the miter saw securely to the plywood using the mounting holes on the base. Use C-clamps to clamp this mounting board to a stable work surface at the worksite.

Fig. K



ADJUSTMENT INSTRUCTIONS

BEVEL STOP ADJUSTMENT (FIG. L, M, N, O)

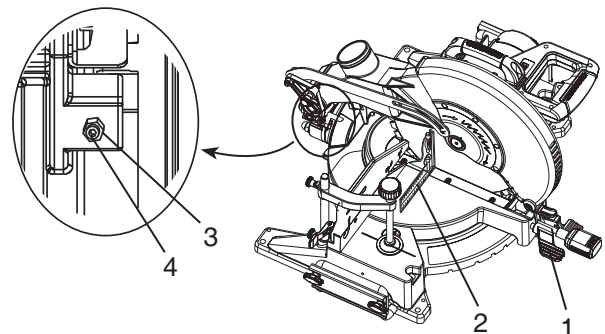
⚠ WARNING

To avoid injury from an accidental start, make sure the switch is in the OFF position and the plug is not connected to the power source outlet.

90°(0°) Bevel Adjustment (Fig. L)

1. Loosen bevel lock handle (1) and tilt the cutting arm completely to the right. Tighten the bevel lock handle. Lower blade.
2. Place a combination square (2) on the miter table with the rule against the table and the heel of the square against the saw blade.
3. If the blade is not 90°(0°) square with the miter table, loosen the bevel lock handle (1), tilt the cutting head completely to the left, loosen the lock nut (3) with a 8 mm wrench on the bevel angle adjustment bolt and adjust the bolt (4) in or out to increase or decrease the bevel angle with a 2.5 mm allen wrench.
4. Tilt the cutting arm back to the right at 90°(0°) bevel and recheck for alignment.
5. Repeat steps 1 through 4 if further adjustment is needed.
6. Tighten bevel lock handle (1) and lock nut (3) when alignment is achieved.

Fig. L



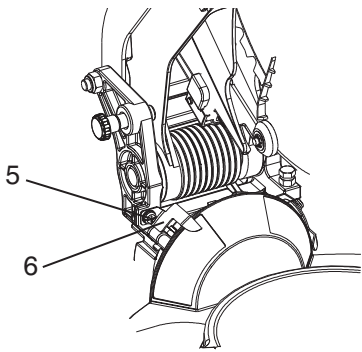
90° Bevel Pointer Adjustment (Fig. M)

1. When the blade is exactly 90°(0°) to the table, loosen the bevel indicator screw (5) using a Phillips screwdriver.
2. Adjust bevel indicator (6) to the "0" mark on the bevel scale and retighten the screw.

⚠ WARNING

To avoid injury from an accidental start, make sure the switch is in the OFF position and the plug is not connected to the power source outlet.

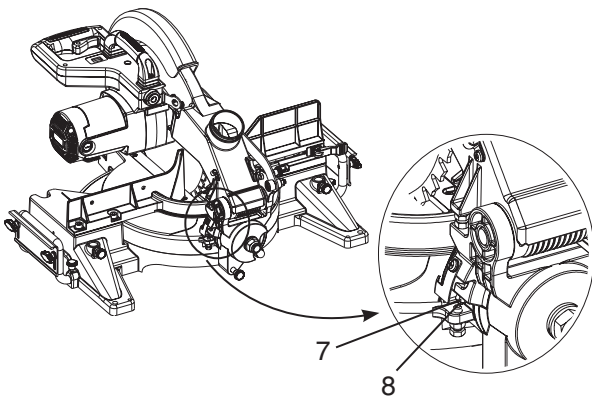
Fig. M



45° Bevel Adjustment (Fig. L, N)

1. Unlock the bevel lock handle (1) and tilt the cutting arm as far to the left as possible.
2. Using a combination square, check to see if the blade angle is 45° to the table.
3. If the blade is not at 45° to the miter table, tilt the cutting arm to the right, loosen the lock nut (7) with a 8 mm wrench on the bevel angle adjustment bolt (8) and adjust the bolt in or out to increase or decrease the bevel angle with a 2.5 mm allen wrench.
4. Tilt the cutting arm to the left to 45° bevel and recheck for alignment.
5. Repeat steps 1 through 4 until the blade is at 45° to the miter table.
6. Tighten bevel lock handle (1) and lock nut (7) when alignment is achieved.

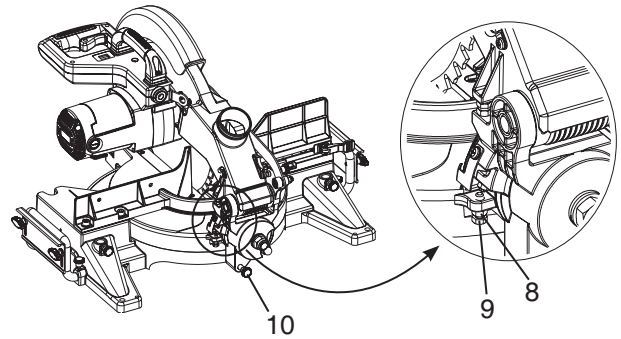
Fig. N



33.9° Bevel Adjustment (Fig. O)

1. Push the bevel detent pin (10) in toward the front of the tool.
2. Unlock the bevel lock handle and tilt the cutting arm to the crown molding positive stop at 33.9°.
3. Using a combination square, check to see if the blade angle is 33.9° to the table.
4. If the blade is not at 33.9° to the miter table, loosen locknut (8) then turn the bevel angle adjusting bolt (9) in or out with a 10 mm wrench until the blade is at 33.9° to the miter table.
5. Secure the locking nut (8) into position after alignment is achieved.

Fig. O



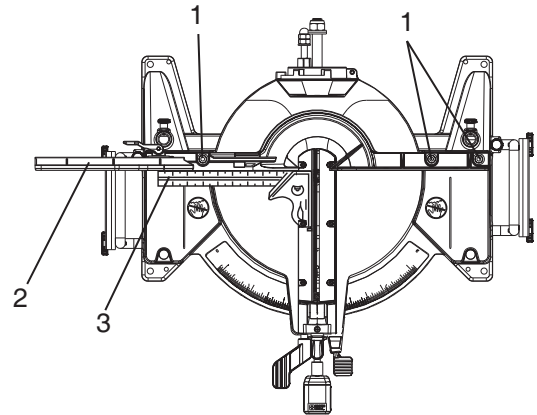
ADJUSTING FENCE SQUARENESS (FIG. P)

1. Loosen the three fence locking bolts (1) with a 6 mm wrench.
2. Using a square (3), lay the heel of the square against the blade and the rule against the fence (2) as shown.
3. Adjust the fence to be 90° to the blade and tighten the three fence locking bolts.

NOTE: If the saw has not been used recently, recheck blade squareness to the fence and readjust if necessary.

4. After fence has been aligned, using a scrap piece of wood, make a cut at 90° then check squareness on the piece. Readjust if necessary.

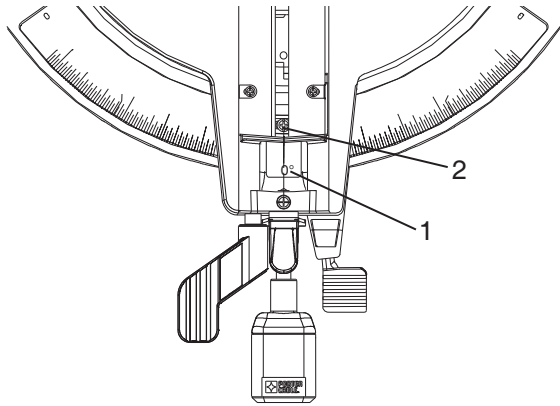
Fig. P



MITER ANGLE POINTER ADJUSTMENT (FIG. Q)

1. Position the miter table at zero degrees (1).
2. Loosen the pointer screw (2) and adjust the indicator to the 0° mark on the miter scale and retighten the screw.

Fig. Q



⚠ WARNING

Depth stop set at factory. Do not adjust.

OPERATION

SAFETY INSTRUCTIONS FOR BASIC SAW OPERATION

BEFORE USING THE MITER SAW

⚠ WARNING

To avoid mistakes that could cause serious, permanent injury, do not plug the tool in until the following steps are completed:

- Completely assemble and adjust the saw, following the instructions. (SEE ASSEMBLY AND ADJUSTMENTS SECTIONS)
- Learn the use and function of the ON/OFF switch, lock-off switch, upper and lower blade guards, stop latch, bevel lock handle and cover plate screws.
- Review and understand all safety instructions and operating procedures in this Instruction Manual. (SEE SAFETY & OPERATIONS SECTIONS)
- Review the MAINTENANCE and TROUBLESHOOTING GUIDE for your miter saw.

BEFORE EACH USE INSPECT YOUR SAW

- **Disconnect the miter saw.** To avoid injury from accidental starting, unplug the saw before any adjustments, including setup and blade changes.
- **Compare the direction of rotation arrow** on the guard to the direction arrow on the blade. The blade teeth should always point downward at the front of the saw.
- **Tighten the arbor bolt.**
- **Tighten the cover plate screw.**
- **Check for damaged parts**, including:
 - Alignment of moving parts
 - Damaged blade teeth
 - Damaged electric cords
 - Binding of moving parts
 - Mounting holes
 - Function of arm return spring and lower guard: Push the cutting arm all the way down, and then let it rise until it stops. The lower guard should close fully. Follow the instructions in the Troubleshooting Guide for adjustment, if necessary.
 - Other conditions that may affect the way the miter saw works.
- **Keep all guards in place, in working order and properly adjusted.** If any part of this miter saw is missing, damaged or broken, or any electrical parts do not work, turn off the saw and unplug it. Replace damaged, missing or defective parts before using the saw again.
- **Maintain tools with care.** Keep the miter saw clean for best and safest performance. Follow instructions for lubricating. Do not apply lubricants to the blade while it is spinning.
- Remove all adjusting wrenches from the tool before turning it on.

RECOMMENDED ACCESSORIES

- Consult the ACCESSORIES and ATTACHMENTS section of this Instruction Manual for recommended accessories. Follow the instructions that come with the accessory. The use of improper accessories may cause risk of injury to persons.
- Choose the correct 12 in. (305 mm) diameter blade for the material and the type of cutting you plan to do. Do not use thin kerf blades.
- Make sure the blade is sharp, undamaged and properly aligned. With the saw unplugged, push the cutting arm all the way down. Manually spin the blade and check for clearance. Tilt the cutting arm to 45° bevel and repeat the test.
- Make sure the blade and arbor collars are clean.
- Make sure all clamps and locks are tight and there is no excessive play in any parts.

KEEP YOUR WORK AREA CLEAN

Cluttered areas and benches invite accidents.

⚠ WARNING

To avoid burns or other fire damage, never use the miter saw near flammable liquids, vapors, or gases.

- Plan ahead to protect your eyes, hands, face and ears.
- Know your miter saw. Read and understand the Instruction Manual and labels affixed to the tool. Learn its application and limitations as well as the specific potential hazards peculiar to this tool. To avoid injury from accidental contact with moving parts, don't do layout, assembly, or setup work on the miter saw while any parts are moving.
- Avoid accidental starting. Make sure the trigger switch is disengaged before plugging the miter saw into a power outlet.

PLAN YOUR WORK

- Use the right tool. Don't force a tool or attachment to do a job it was not designed to do. Use a different tool for any workpiece that can't be held in a solidly braced, fixed position.

⚠ WARNING

This machine is not designed for cutting masonry, masonry products, ferrous metals (steel, iron, and iron-based metals.)

Use this miter saw to cut only wood, wood-like products, or non-ferrous metals. Other material may shatter, bind the blade, or create other dangers. Remove all nails that may be in the workpiece to prevent sparking that could cause a fire. Remove dust bag when cutting non-ferrous metals.

DRESS FOR SAFETY

Any power tool can throw foreign objects into the eyes. This can result in permanent eye damage. Everyday eyeglasses have only impact resistant lenses and are not safety glasses. Glasses or goggles not in compliance with ANSI Z87.1 could seriously injure you when they break.

- Do not wear loose clothing, gloves, neckties or jewelry (rings, watches). They can get caught and draw you into moving parts.
- Wear non-slip footwear.
- Tie back long hair.
- Roll long sleeves above the elbow.
- Noise levels vary widely. To avoid possible hearing damage, wear ear plugs when using any miter saw.
- For dusty operations, wear a dust mask along with safety goggles.

INSPECT YOUR WORKPIECE

Make sure there are no nails or foreign objects in the part of the workpiece being cut.

Plan your work to avoid small pieces that may bind, or that are too small to clamp and get a solid grasp on. Plan the way you will grasp the workpiece from start to finish. Avoid awkward operations and hand positions. A sudden slip could cause your fingers or hand to move into the blade.

DO NOT OVER-REACH

Keep good footing and balance. Keep your face and body to one side, out of the line of a possible kickback. NEVER stand in the line of the blade.

Never cut freehand:

- Brace your workpiece firmly against the fence and table stop so it will not rock or twist during the cut.
- Make sure there is no debris between the workpiece and the table or fence.
- Make sure there are no gaps between the workpiece, fence and table that will let the workpiece shift after it is cut.
- Keep the cut off piece free to move sideways after it is cut off. Otherwise, it could get wedged against the blade and thrown violently.
- Only the workpiece should be on the saws table.
- Secure work. Use clamps or a vise to help hold the work when it's practical.

USE EXTRA CAUTION WITH LARGE OR ODD SHAPED WORKPIECES

- Use extra supports (tables, sawhorses, blocks, etc.) for workpieces large enough to tip.
- Never use another person as a substitute for a table extension, or as an additional support for a workpiece that is longer or wider than the basic miter saw table, or to help feed, support, or pull the workpiece.
- Do not use this saw to cut small pieces. If the workpiece being cut would cause your hand or fingers to be within 8-1/2 in. (216 mm) of the saw

blade the workpiece is too small. Keep hands and fingers out of the “no hands zone” area marked on the saws table.

- When cutting odd shaped workpieces, plan your work so it will not bind in the blade and cause possible injury. Molding, for example, must lie flat or be held by a fixture or jig that will not let it move when cut.
- Properly support round material such as dowel rods, or tubing, which have a tendency to roll when cut, causing the blade to “bite”.

WARNING

To avoid injury, follow all applicable safety instructions, when cutting non-ferrous metals:

- Use only saw blades specifically recommended for non-ferrous metal cutting.
- Do not cut metal workpieces that must be hand held. Clamp workpieces securely.
- Cut non-ferrous metals only if you are under the supervision of an experienced person and the dust bag has been removed from the saw.

WHEN SAW IS RUNNING

WARNING

Do not allow familiarity from frequent use of your miter saw to result in a careless mistake. A careless fraction of a second is enough to cause a severe injury.

Before cutting, if the saw makes an unfamiliar noise or vibrates, stop immediately. Turn the saw OFF. Unplug the saw. Do not restart until finding and correcting the problem.

BODY AND HAND POSITION (FIG. R)

WARNING

Never place hands near the cutting area. Proper positioning of your body and hands when operating the miter saw will make cutting easier and safer. Keep children away. Keep all visitors at a safe distance from the miter saw. Make sure bystanders are clear of the saw and workpiece. Do not force the saw. It will do the job better and safer at its designed rate.

Starting a cut:

- Place hands at least 8-1/2 in. (216 mm) away from the path of the blade – out of the “no-hands zone.”
- Hold workpiece firmly against the fence to prevent movement toward the blade.
- With the power switch OFF, bring the saw blade down to the workpiece to see the cutting path of the blade.
- Squeeze trigger switch to start saw.
- Lower blade into workpiece with a firm downward motion.

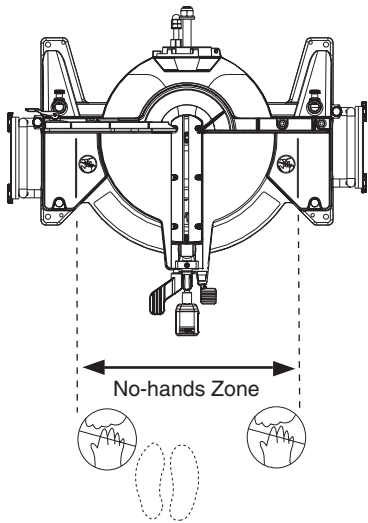
Finishing a cut:

- Hold the cutting arm in the down position.
- Release trigger switch and wait for all moving parts to stop before moving your hands and raising the cutting arm.
- If the blade doesn't stop within 6 seconds, unplug the saw and follow the instructions in TROUBLESHOOTING GUIDE section.

Before freeing jammed material:

- Release trigger switch.
- Wait for all moving parts to stop.
- Unplug the miter saw.

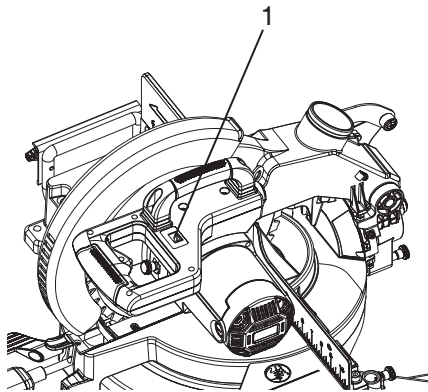
Fig. R



THE LASER GUIDE (FIG. S)

1. To turn laser on, press on/off rocker switch (1) to "ON" position.
2. To turn off laser, press on/off rocker switch (1) to "OFF" position.

Fig. S



THE LASER BEAM (FIG. T)

⚠ WARNING

For your own safety, never connect the plug to power source outlet until all the adjustment steps are complete and you have read and understood the safety and operational instructions.

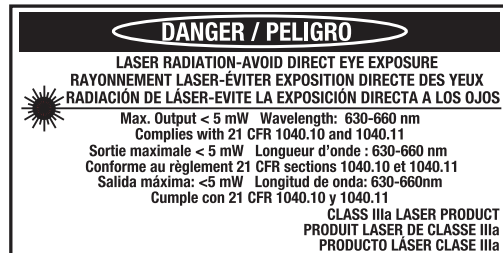
The laser beam must always be correctly aligned with the blade to ensure straight, even cutting.

Your tool is equipped with the Laser guide using Class IIIa laser beam. The laser beam allows you to preview the saw blade path on the stock to be cut before starting the miter saw. This laser guide is powered by the transformed alternating current supply directly through the power lead. **The saw must be connected to the power source and the laser on/off switch must be turned on for the laser line to show.**

⚠ WARNING

AVOID DIRECT EYE CONTACT

- Laser radiated when laser guide is turned on. Avoid direct eye contact.
- Laser Warning Label: Max output <5 mW DIODE LASER: 630-660 nm, Complies with 21CFR 1040.10 and 1040.11.



⚠ WARNING

- Use of controls or adjustments or performance of procedures other than those specified herein may result in hazardous radiation exposure.

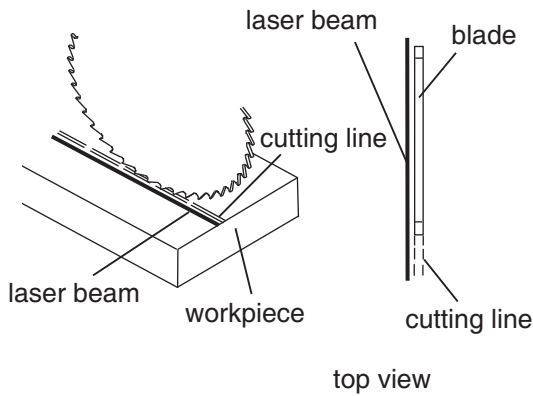
⚠ WARNING

- The use of optical instruments with this product will increase eye hazard.
- Do not attempt to repair or disassemble the laser. If unqualified persons attempt to repair this laser product, serious injury may result. Any repair required on this laser product should be performed by a Porter Cable or other qualified service center.

NOTE:

- All the adjustments for the operation of this laser guide have been completed at the factory.
- Laser beam is calibrated and set up to project to the left of the blade.

Fig. T



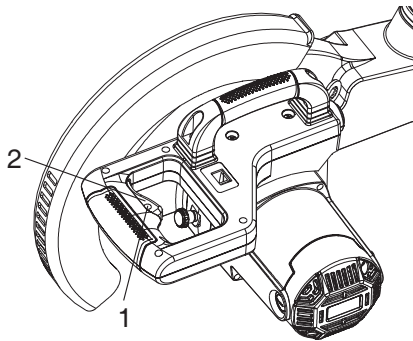
TURNING SAW ON (FIG. U)

Squeeze the trigger switch (1) to turn the saw ON. Release the trigger switch to turn the saw OFF.

NOTE: Make the ON/OFF switch childproof. Insert a padlock, or chain with padlock (not included), through the hole (2) in the trigger switch, locking the tool's switch, preventing children and other unauthorized users from turning the machine on.

The saw is equipped with an automatic blade brake. When the trigger switch is released, the electric blade brake will stop the blade within approximately 6 seconds.

Fig. U



⚠ WARNING

To avoid injury, after completing a cut and releasing the trigger switch, allow the blade brake to activate and stop the blade before raising the cutting head.

⚠ WARNING

To avoid injury, check and tighten the arbor bolt periodically.

BEFORE LEAVING THE SAW

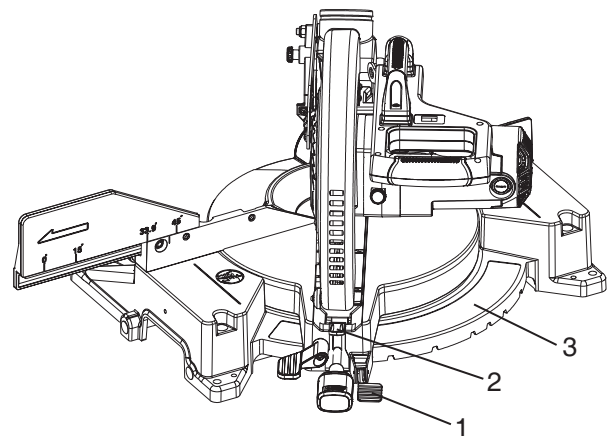
- Never leave tool running unattended. Turn power OFF. Wait for all moving parts to stop.
- Make workshop child-proof. Lock the shop. Disconnect master switches. Store tool away from children and other unqualified users.

MITER CUT (FIG. V)

1. When a miter cut is required, unlock the miter table by releasing the miter lock lever (1) upward.
2. While holding the miter handle, press down on the positive stop locking lever (2) to disengage the positive stop locking lever.
3. Rotate the miter table to the right or left with the miter handle.
4. When the table is in the desired position as shown on the miter scale (3), release the positive stop locking lever handle and press miter lock down. The table is now locked at the desired angle. Positive stops are provided at 0°, 15°, 22.5°, 31.6° and 45°.

IMPORTANT: ALWAYS TIGHTEN the miter table lock lever before cutting.

Fig. V



BEVEL CUT (FIG. W)

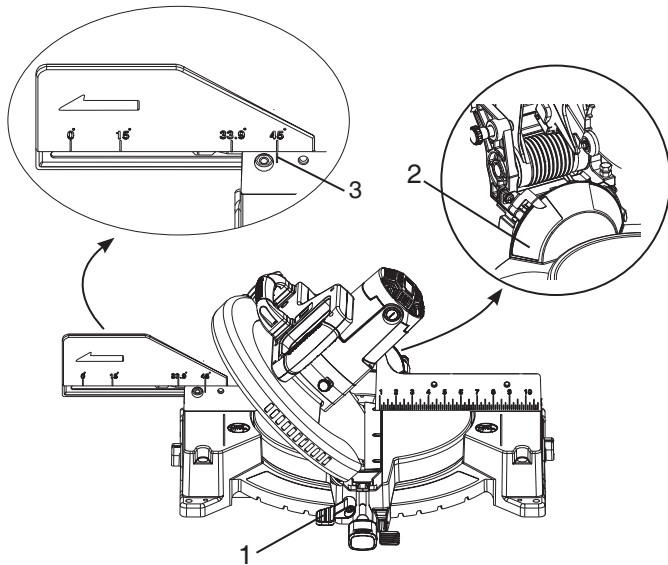
⚠ WARNING

- Make a dry run with the saw turned off and check for clearance. Adjust the fence to be as close to the blade as practical to provide maximum workpiece support, without interfering with arm up & down movement. When the bevel operations are complete, don't forget to relocate the fence to the right.
- To avoid the cutting head interfering the sliding fence, when setting a bevel cutting at the angle of 0°, 15°, 33.9° & 45°, the sliding fence MUST be moved to each corresponding position. The corresponding positions are set on the sliding fence, loosen the fence locking handle set behind, and aligning the desired bevel angle to the indicator (3) by moving the sliding fence when operating each 0°, 15°, 33.9° & 45° bevel cutting. Re-tighten the fence locking handle after aligning.

1. When a bevel cut is required, loosen the bevel lock handle (1).
2. Tilt the cutting head to the desired angle as shown on the bevel scale (2). The blade can be positioned at any angle, from a 90° straight cut (0° on the scale) to a 45° left bevel.

3. Tighten the bevel lock handle (1) to lock the cutting head in position.
4. Positive stops are provided at 0°, 33.9° and 45°.

Fig. W

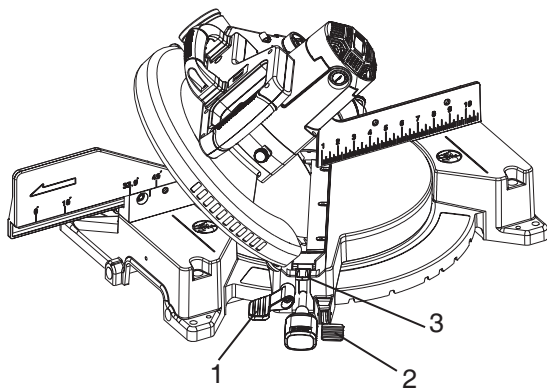


COMPOUND CUT (FIG. X)

A compound cut is the combination of a miter and a bevel cut simultaneously.

1. Loosen the bevel lock lever (1) and position the cutting head at the desired bevel position. Lock the bevel lock lever.
2. Loosen the miter table lock lever (2). Press down the positive stop locking lever (3) and position the table at the desired angle. Release the positive stop locking lever and lock the miter table lock lever.

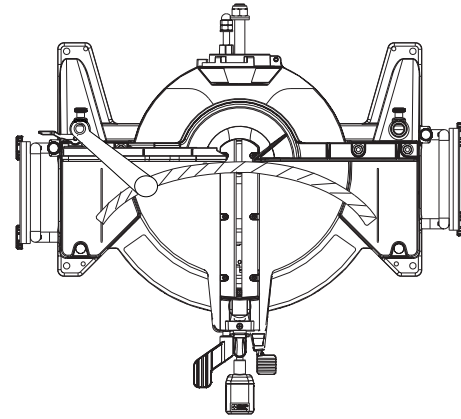
Fig. X



CUTTING BOWED MATERIAL (FIG. Y)

A bowed workpiece must be positioned against the fence and secured with a clamping device before cutting. Do not position workpiece incorrectly or try to cut the workpiece without the support of the fence. This will cause the blade to bind and could result in personal injury.

Fig. Y

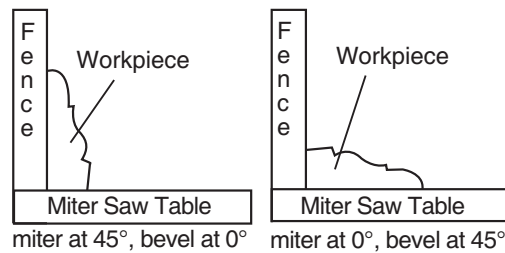


CUTTING BASE MOLDING (FIG. Z)

Base moldings and many other moldings can be cut on a compound miter saw. The setup of the saw depends on molding characteristics and application, as shown. Perform practice cuts on scrap material. To achieve best results:

1. Always make sure moldings rest firmly against fence and table. Use material clamp or C-clamps, whenever possible, and place tape on the area being clamped to avoid marks.
2. Reduce splintering by taping the cut area prior to making cut. Mark cut line directly on the tape.
3. Splintering typically happens due to wrong blade application and thickness of the material.

Fig. Z



NOTE: Always perform a dry run cut so you can determine if the operation being attempted is possible before power is applied to the saw.

CUTTING CROWN MOLDING (FIG. AA, BB)

Your compound miter saw is suited for the difficult task of cutting crown molding. To fit properly, crown molding must be compounded with extreme accuracy.

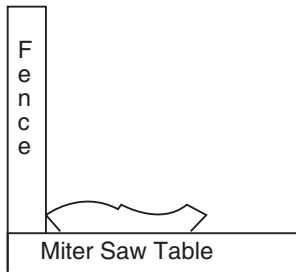
The two surfaces on a piece of crown molding that fit flat against the ceiling and wall are at angles that, when added together equal exactly 90°.

Most crown molding has a top rear angle (the section that fits flat against the ceiling) of 52° and a bottom rear angle (the section that fits flat against the wall) of 38°.

In order to accurately cut crown molding for a 90° inside or outside corner, lay the molding with its broad back surface flat on the saw table.

When setting the bevel and miter angles for compound miters, remember that the settings are interdependent; changing one changes the other, as well.

Fig. AA



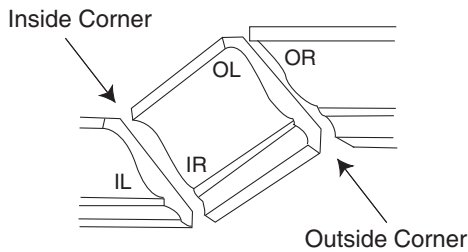
Bevel/Miter Settings

KEY	BEVEL SETTING	MITER SETTING	TYPE OF CUT
Inside corner-Left side			
IL	33.9°	31.6° Right	<ol style="list-style-type: none"> 1. Position top of molding against fence. 2. Miter table set at RIGHT 31.6°. 3. LEFT side is finished piece.
Inside corner-Right side			
IR	33.9°	31.6° Left	<ol style="list-style-type: none"> 1. Position bottom of molding against fence. 2. Miter table set at LEFT 31.6°. 3. LEFT side is finished piece.
Outside corner-Left side			
OL	33.9°	31.6° Left	<ol style="list-style-type: none"> 1. Position bottom of molding against fence. 2. Miter table set at LEFT 31.6°. 3. RIGHT side is finished piece.
Outside corner-Right side			
OR	33.9°	31.6° Right	<ol style="list-style-type: none"> 1. Position top of molding against fence. 2. Miter table set at RIGHT 31.6°. 3. RIGHT side is finished piece.

BEVEL/MITER SETTINGS

Fig. BB

Settings for standard crown molding lying flat on compound miter saw table



NOTE: The chart references a compound cut for crown molding ONLY WHEN THE ANGLE BETWEEN THE WALLS EQUALS EXACTLY 90°.

CROWN MOULDING CHART

Compound Miter Saw
Miter and Bevel Angle Settings
Wall to Crown Molding Angle

Angle Between Walls	52/38° Crown Molding		45/45° Crown Molding	
	Miter Setting	Bevel Setting	Miter Setting	Bevel Setting
67	42.39	41.08	46.69	36.13
68	42.39	40.79	46.35	35.89
69	41.85	40.50	45.81	35.64
70	41.32	40.20	45.28	35.40
71	40.79	39.90	44.75	35.15
72	40.28	39.61	44.22	34.89
73	39.76	39.30	43.70	34.64
74	39.25	39.00	43.18	35.38
75	38.74	38.69	42.66	34.12
76	38.24	38.39	42.15	33.86
77	37.74	38.08	41.64	33.60
78	37.24	37.76	41.13	33.33
79	36.75	37.45	40.62	33.07
80	36.27	37.13	40.12	32.08
81	35.79	36.81	39.62	32.53
82	35.31	36.49	39.13	32.25
83	34.83	36.17	38.63	31.98
84	34.36	35.85	38.14	31.70
85	33.90	35.52	37.66	31.42
86	33.43	35.19	37.17	31.34
87	32.97	34.86	36.69	30.86
88	32.52	34.53	36.21	30.57
89	32.07	34.20	35.74	30.29
90	31.62	33.86	35.26	30.00
91	31.17	33.53	34.79	29.71
92	30.73	33.19	34.33	29.42
93	30.30	32.86	33.86	29.13
94	29.86	32.51	33.40	28.83
95	29.43	32.17	32.94	28.54
96	29.00	31.82	32.48	28.24
97	28.58	31.48	32.02	27.94
98	28.16	31.13	31.58	27.64
99	27.74	30.78	31.13	27.34
100	27.32	30.43	30.68	27.03
101	26.91	30.08	30.24	26.73
102	26.50	29.73	29.80	26.42
103	26.09	29.38	29.36	26.12
104	25.69	29.02	28.92	25.81
105	25.29	28.67	28.48	25.50
106	24.89	28.31	28.05	25.19
107	24.49	27.96	27.62	24.87
108	24.10	27.59	27.19	24.56
109	23.71	27.23	26.77	24.24
110	23.32	26.87	26.34	23.93
111	22.93	26.51	25.92	23.61
112	22.55	26.15	25.50	23.29
113	22.17	25.78	25.08	22.97
114	21.79	25.42	24.66	22.66
115	21.42	25.05	24.25	22.33
116	21.04	24.68	23.84	22.01
117	20.67	24.31	23.43	21.68
118	20.30	23.94	23.02	21.36
119	19.93	23.57	22.61	21.03
120	19.57	23.20	22.21	20.70
121	19.20	22.83	21.80	20.38
122	18.84	22.46	21.40	20.05
123	18.48	22.09	21.00	19.72

Angle Between Walls	52/38° Crown Molding		45/45° Crown Molding	
	Miter Setting	Bevel Setting	Miter Setting	Bevel Setting
124	18.13	21.71	20.61	19.39
125	17.77	21.34	20.21	19.06
126	17.42	20.96	19.81	18.72
127	17.06	20.59	19.42	18.39
128	16.71	20.21	19.03	18.06
129	16.37	19.83	18.64	17.72
130	16.02	19.45	18.25	17.39
131	15.67	19.07	17.86	17.05
132	15.33	18.69	17.48	16.71
133	14.99	18.31	17.09	16.38
134	14.66	17.93	16.71	16.04
135	14.30	17.55	16.32	15.70
136	13.97	17.17	15.94	15.36
137	13.63	16.79	15.56	15.02
138	13.30	16.40	15.19	14.62
139	12.96	16.02	14.81	14.34
140	12.63	15.64	14.43	14.00
141	12.30	15.25	14.06	13.65
142	11.97	14.87	13.68	13.31
143	11.64	14.48	13.31	12.97
144	11.31	14.09	12.94	12.62
145	10.99	13.71	12.57	12.29
146	10.66	13.32	12.20	11.93
147	10.34	12.93	11.83	11.59
148	10.01	12.54	11.46	11.24
149	9.69	12.16	11.09	10.89
150	9.37	11.77	10.73	10.55
151	9.05	11.38	10.36	10.20
152	8.73	10.99	10.00	9.85
153	8.41	10.60	9.63	9.50
154	8.09	10.21	9.27	9.15
155	7.77	9.82	8.91	8.80
156	7.46	9.43	8.55	8.45
157	7.14	9.04	8.19	8.10
158	6.82	8.65	7.83	7.75
159	6.51	8.26	7.47	7.40
160	6.20	7.86	7.11	7.05
161	5.88	7.47	6.75	6.70
162	5.57	7.08	6.39	6.35
163	5.26	6.69	6.03	6.00
164	4.95	6.30	5.68	5.65
165	4.63	5.90	5.32	5.30
166	4.32	5.51	4.96	4.94
167	4.01	5.12	4.61	4.59
168	3.70	4.72	4.25	4.24
169	3.39	4.33	3.90	3.89
170	3.08	3.94	3.54	3.53
171	2.77	3.54	3.19	3.10
172	2.47	3.15	2.83	2.83
173	2.15	2.75	2.48	2.47
174	1.85	2.36	2.12	2.12
175	1.54	1.97	1.77	1.77
176	1.23	1.58	1.41	1.41
177	0.92	1.18	1.06	1.06
178	0.62	0.79	0.71	0.71
179	0.31	0.39	0.35	0.35

MAINTENANCE

GENERAL MAINTENANCE

⚠ DANGER

To avoid injury, never put lubricants on the blade while it is spinning.

⚠ WARNING

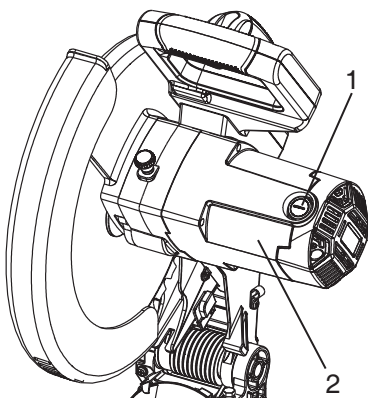
- To avoid fire or toxic reaction, never use gasoline, naphtha acetone, lacquer thinner or similar highly volatile solvents to clean the miter saw.
- To avoid injury from unexpected starting or electrical shock, unplug the power cord before working on the saw.
- For your safety, this saw is double-insulated. To avoid electrical shock, fire or injury, use only parts identical to those identified in the parts list. Reassemble exactly as the original assembly to avoid electrical shock.

REPLACING CARBON BRUSHES (FIG. CC)

Replace both carbon brushes when either has less than 1/4 in. length of carbon remaining, or if the spring or wire is damaged or burned. To inspect or replace brushes, first unplug the saw. Then remove the black plastic cap (1) on the side of the motor (2). Remove the cap cautiously, because it is springloaded. Then pull out the brush and replace. Replace for the other side. To reassemble reverse the procedure. The ears on the metal end of the assembly go in the same hole the carbon part fits into. Tighten the cap snugly, but do not overtighten.

NOTE: To reinstall the same brushes, first make sure the brushes go back in the way they came out. This will avoid a break-in period that reduces motor performance and increases wear.

Fig. CC



LOWER BLADE GUARD

Do not use the saw without the lower blade guard. The lower blade guard is attached to the saw for your protection. Should the lower guard become damaged, do not use the saw until the damaged guard has been replaced. Develop a regular check to make sure the lower guard is working properly. Clean the lower guard of any dust or buildup with a damp cloth.

⚠ WARNING

- When cleaning the lower guard, unplug the saw from the power source receptacle to avoid unexpected startup.
- Do not use solvents on the guard. They could make the plastic “cloudy” and brittle.

EMPTYING SAWDUST BAG

Periodically, sawdust will accumulate under the work table and base. This could cause difficulty in the movement of the worktable when setting up a miter cut. Frequently blow out or vacuum up the sawdust.

Remove the sawdust bag from the dust port. Open the zipper on the sawdust bag and pour out the sawdust inside. Close the zipper and re-install the sawdust bag onto the dust port as described on page 12.

⚠ WARNING

Wear proper eye protection to keep debris from entering eyes when removing sawdust from unit.

LUBRICATION (FIG. DD)

All the motor bearings in this tool are lubricated with a sufficient amount of high-grade lubricant for the life of the unit under normal operating conditions; therefore, no further lubrication is required.

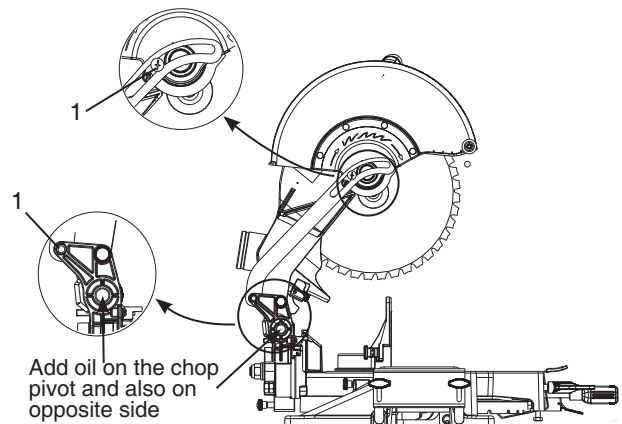
Lubricate the following as necessary:

Chop pivot: Apply light machine oil to points indicated in illustration.

Central pivot of plastic guard: Use light household oil (sewing machine oil) on metal-to-metal or metal-to-plastic guard contact areas as required for smooth, quiet operation. Avoid excessive oil, to which sawdust will cling.

Link: (actuates lower guard movement) If down chop motion is hard to start, oil link at two screws (1).

Fig. DD



TROUBLESHOOTING GUIDE

⚠ WARNING

To avoid injury from an accidental start, turn the switch OFF and always remove the plug from the power source before making any adjustments.

REPLACEMENT PARTS

Use only identical replacement parts. For a parts list or to order parts, visit our service website at www.portercable.com. You can also order parts from your nearest Porter-Cable Factory Service Center or Porter-Cable Authorized Warranty Service Center. Or, you can call our Customer Care Center at (888) 609-9779.

SERVICE AND REPAIRS

All quality tools will eventually require servicing and/or replacement of parts. For information about Porter-Cable, its factory service centers or authorized warranty service centers, visit our website at www.portercable.com or call our Customer Care Center at (888) 609-9779. All repairs made by our service centers are fully guaranteed against defective material and workmanship. We cannot guarantee repairs made or attempted by others. You can also write to us for information at Power Tool Specialists, 684 Huey Road Rock Hill, SC 29704, (888) 609-9779 - Attention: Product Service. Be sure to include all of the information shown on the nameplate of your tool (model number, type, serial number, etc.).

MOTOR

PROBLEM	PROBLEM CAUSE	SUGGESTED CORRECTIVE ACTION
Brake does not stop the blade within 6 seconds.	<ol style="list-style-type: none"> Motor brushes not sealed or lightly sticking. Motor brake overheated from use of defective or wrong size blade or rapid ON/OFF cycling. Arbor bolt loose. Brushes cracked, damaged, etc. Other. 	<ol style="list-style-type: none"> Inspect/clean/replace brushes. See MAINTENANCE section. Use a recommended blade. Let cool down. See REMOVING OR INSTALLING THE BLADE section. Retighten. See REMOVING OR INSTALLING THE BLADE section. Replace brushes. Contact Porter-Cable Service Center or Authorized Service Station.
Motor does not start	<ol style="list-style-type: none"> Limit switch failure Brush worn. Fuse blown or circuit breaker tripped on home panel. 	<ol style="list-style-type: none"> Replace limit switch. Replace brushes. See MAINTENANCE section. Verify there is electrical power at the outlet.
Brush spark when switch released.	<ol style="list-style-type: none"> Brush worn. Other. 	<ol style="list-style-type: none"> Replace Brushes. See MAINTENANCE section. Contact Porter-Cable Service Center or Authorized Service Station.

SAW OPERATION

PROBLEM	PROBLEM CAUSE	SUGGESTED CORRECTIVE ACTION
Blade hits table.	<ol style="list-style-type: none"> Misalignment. 	<ol style="list-style-type: none"> Contact Porter-Cable Service Center or Authorized Service Station.
Angle of cut not accurate. Can not adjust miter.	<ol style="list-style-type: none"> Miter table unlocked. Sawdust under table. 	<ol style="list-style-type: none"> See OPERATION - Miter Angle Adjustment section. Vacuum or blow out dust. WEAR EYE PROTECTION.
Cutting arm wobbles.	<ol style="list-style-type: none"> Loose pivot points. 	<ol style="list-style-type: none"> Contact Porter-Cable Service Center or Authorized Service Station.
Cutting arm will not fully raise, or blade guard won't fully close.	<ol style="list-style-type: none"> Pivot spring not replaced properly after service. Sawdust build-up. 	<ol style="list-style-type: none"> Contact Porter-Cable Service Center or Authorized Service Station. Clean and lubricate moving parts.
Blade binds, jams, burns wood.	<ol style="list-style-type: none"> Improper operation. Dull or warped blade. Improper blade size. Wood is moving during cut. 	<ol style="list-style-type: none"> See BASIC SAW OPERATION section. Replace or sharpen blade. Replace with 12 in. (305 mm) diameter blade. Use hold down clamp to secure workpiece to table.
Saw vibrates or shakes.	<ol style="list-style-type: none"> Saw blade not round / damaged / loose. Arbor bolt loose. 	<ol style="list-style-type: none"> Replace blade. Tighten arbor bolt.

For assistance with your product, visit our website at www.portercable.com for a list of service centers, or call the Porter-Cable Customer Care Center at (888) 609-9779.

ACCESSORIES AND ATTACHMENTS

RECOMMENDED ACCESSORIES

WARNING

- Use only accessories recommended for this miter saw. Follow instructions that accompany accessories. Use of improper accessories may cause hazards.
- The use of any cutting tool except 12 in. (305 mm) saw blades which meet the requirements under recommended accessories is prohibited. Do not use accessories such as shaper cutters or dado sets. Ferrous metal cutting and the use of abrasive wheels is prohibited.
- Do not attempt to modify this tool or create accessories not recommended for use with this tool. Any such alteration or modification is misuse and could result in a hazardous condition leading to possible serious injury.

ACCESSORIES

Since accessories, other than those offered by Porter-Cable, have not been tested with this product, use of such accessories with this tool could be hazardous. To reduce the risk of injury, only Porter-Cable recommended accessories should be used with this product.

A complete line of accessories is available from your Porter-Cable Factory Service Center or a Porter-Cable Authorized Warranty Service Center. Please visit our Web Site www.portercable.com for a catalog or for the name of your nearest supplier.

WARNING

- To avoid the risk of personal injury, do not modify this power tool or use accessories not recommended by Porter-Cable.
- Read warnings and conditions on your CARBIDE TIPPED SAW BLADE. Do not operate the saw without the proper saw blade guard in place. Carbide is a very hard but brittle material. Care should be taken while mounting, using, and storing carbide tipped blades to prevent accidental damage. Slight shocks, such as striking the tip while handling, can seriously damage the blade. Foreign objects in the workpiece, such as wire or nails, can also cause tips to crack or break off. Before using, always visually examine the blade and tips for bent blade, cracks, breakage, missing or loose tips, or other damage. Do not use if damage is suspected. Failure to heed safety instructions and warnings can result in serious bodily injury.

WARNING

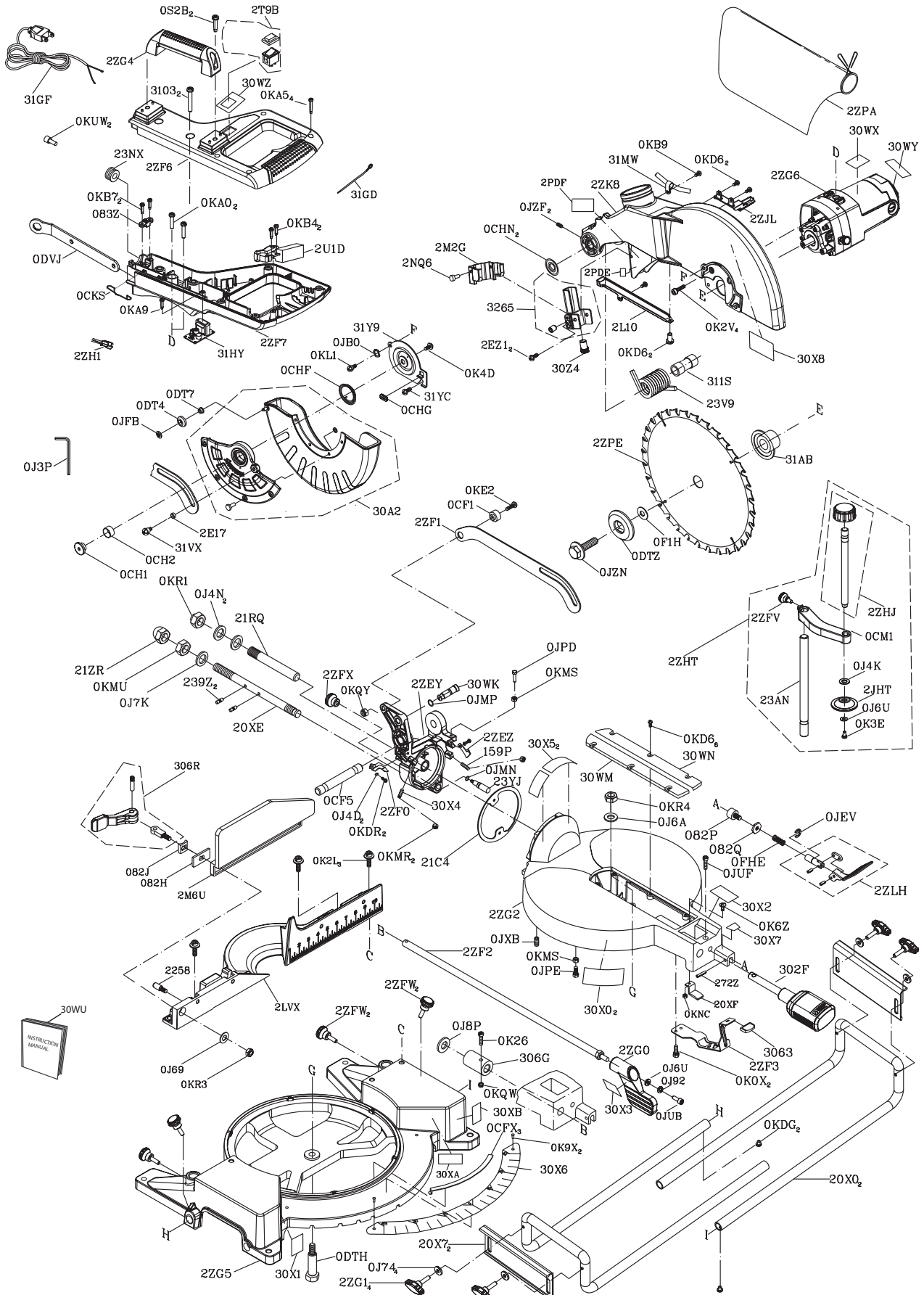
Do not use any accessory unless you have completely read the Instruction Manual for that accessory.

PARTS LIST

12 IN. (305 MM) MITER SAW PARTS LIST

I.D.	Description	Size	Q'TY	I.D.	Description	Size	Q'TY
082H	BLADE HOLDER		1	21RQ	SHAFT-PIVOT		1
082J	CUSHION		1	21ZR	CROWN NUT	M10*1.5,T=18	1
082P	SCREW STOP		1	2258	SPECIAL BOLT		1
082Q	LOCK NUT		1	239Z	PIN		2
083Z	CORD CLAMP		1	23AN	SUPPORT ROD		1
0CF1	ANCHOR BLOCK		1	23NX	GUARD-CORD		1
0CF5	SHAFT-PIVOT		1	23V9	TORSION SPRING		1
0CFX	SLIDE PLATE		3	23YJ	LOCATION PIN		1
0CH1	SHAFT-PIVOT		1	272Z	PIN		1
0CH2	SLEEVE		1	2E17	COLLAR		1
0CHF	SPRING GUARD		1	2E21	CR. RE. TRUSS HD. SCREW	M5*0.8-10	2
0CHG	BUMPER		1	2JHT	FLANGE		1
0CHN	SHIM		2	2L10	CABLE SHIELD		1
0CK5	SPRING WIRE		1	2LVX	FENCE		1
0CM1	WISE BEARING		1	2M2G	COVER		1
0DT4	ROLLING WHEEL		1	2M6U	ASSIST-FENCE		1
0DT7	BEARING		1	2NQ6	RIVET		2
0DTH	CENTER BOLT		1	2PDE	LASER WARNING LABEL		1
0DTZ	ARBOR COLLAR		2	2PDF	LASER WARNING LABEL		1
0DVJ	BLADE WRENCH		1	2T9B	ROCK SWITCH ASS'Y		1
0F1H	REDUCER		1	2U1D	TRIGGER SWITCH		1
0FHE	COMPRESSION SPRING		1	2ZEY	ANGLE PEGULATOR		1
0J3P	HEX. WRENCH		1	2ZEZ	NEEDLE POINTER		1
0J4D	FLAT WASHER	φ5*10-1	2	2ZFO	NEEDLE POINTER		1
0J4K	FLAT WASHER	φ10*19-1.8	1	2ZF1	LEVER		1
0J4N	FLAT WASHER	φ16*30-3	2	2ZF2	LOCKING ROD		1
0J69	FLAT WASHER	φ6*13-1	1	2ZF3	COIL SPRING		1
0J6A	FLAT WASHER	φ8*16-2.5	1	2ZF6	MOTOR HANDLE		1
0J6U	FLAT WASHER	3/16*1/2-3/64	2	2ZF7	MOTOR HANDLE		1
0J74	FLAT WASHER	1/4*5/8-3/32	4	2ZJV	CLAMP BOLT		1
0J7K	FLAT WASHER	3/8*29/32-5/64	1	2ZFW	CLAMP BOLT		4
0J8P	FLAT WASHER	3/8*29/32-5/64	1	2ZFX	CLAMP BOLT		1
0J92	SPRING WASHER	φ5	1	2ZG0	CLAMP HANDLE		1
0JB0	WAVE WASHER		1	2ZG1	KNOB		4
0JEV	E-RING		1	2ZG2	TABLE		1
0JFB	SELF-LOCKING RING		1	2ZG4	SEGMENT HANDLE		1
0JMN	O-RING		1	2ZG5	BASE		1
0JMP	O-RING		1	2ZG6	MOTOR ASS'Y		1
0JPD	HEX. HD. BOLT	M6*1.0-16	1	2ZH1	LEAD WIRE ASS'Y		1
0JPE	HEX. HD. BOLT	M6*1.0-20	1	2ZHJ	HANDLE BAR ASS'Y		1
0JUB	HEX. SOC. HD. CAP BOLT	M5*0.8-12	1	2ZHT	MATERIAL CLAMP		1
0JUF	HEX. SOC. HD. CAP BOLT	M5*0.8-30	1	2ZJL	CABLE SHIELD		1
0JXB	HEX. SOC. SET SCREW	M6*1.0-16	1	2ZK8	ARM		1
0JZF	HEX. SOC. SET SCREW	M6*1.0-10	2	2ZLH	LOCKING HANDLE ASS'Y		1
0JZN	ARBOR BOLT	M8*1.25-20	1	2ZPA	BAG-DUST ASS'Y		1
0K0X	HEX. HD. SCREW AND WASHER	M6*1.0-16	2	2ZPE	BLADE		1
0K26	HEX.SOCKET HD.CAP SCREWS	M5*0.8-25	1	3063	PLASTIC SLEEVE		1
0K2L	HEX.SOCKET HD.CAP SCREWS	M8*1.25-30	3	302F	LOCKING HANDLE ASS'Y		1
0K2V	HEX.SOCKET HD.CAP SCREWS	M5*0.8-30	4	306G	BUSHING		1
0K3E	CR.RE. PAN HD. SCREW & WASHER	M5*0.8-10	1	306R	LOCKING HANDLE ASS'Y		1
0K4D	CR.RE. PAN HD. SCREW & WASHER	M6*1.0-12	1	30A2	HOUSING ASS'Y		1
0K6Z	CR.-RE. TRUSS HD. SCREW	M4*0.7-12	1	30WK	CLEVIS PIN		1
0K9X	DRIVE SCREW	φ2.3-5	2	30WM	TABLE INSERT		1
0KA0	CR.RE. PAN HD. TAPPING SCREW	M5*12-20	2	30WN	TABLE INSERT		1
0KA5	CR.RE. PAN HD. TAPPING SCREW	M4*16-20	4	30WU	INSTRUCTION MANUAL		1
0KA9	CR.RE. PAN HD. TAPPING SCREW	M3*24-10	1	30WX	LABEL		1
0KB4	CR.RE. PAN HD. TAPPING SCREW	M4*18-12	2	30WY	TRADE-MARK LABEL		1
0KB7	CR.RE. PAN HD. TAPPING SCREW	M4*18-16	2	30WZ	SWITCH LABEL		1
0KB9	CR.RE. PAN HD. TAPPING SCREW	M5*16-10	1	30X0	WARNING LABEL		2
0KD6	CR. RE. PAN HD. SCREW	M4*0.7-8	10	30X1	WARNING LABEL		1
0KDG	CR. RE. PAN HD. SCREW	M5*0.8-6	2	30X2	WARNING LABEL		1
0KDR	CR. RE. PAN HD. SCREW	M5*0.8-10	2	30X3	CAUTION LABEL		1
0KE2	CR. RE. PAN HD. SCREW	M8*1.25-30	1	30X4	HEX. SOC. SET SCREW	M5*0.8-25	1
0KL1	CR.RE. PAN HD. ROUND NECK SCREW	M6*1.0-12	1	30X5	TILTING SCALE		2
0KMR	HEX. NUT	M5*0.8 T=4	2	30X6	BRACKET-TILT		1
0KMS	HEX. NUT	M6*1.0 T=5	2	30X7	CAUTION LABEL		1
0KMU	HEX. NUT	M10*1.5 T=8	1	30X8	TRADE-MARK LABEL		1
0KNC	HEX. NUT	M4*0.7 T=3.2	1	30XA	CAUTION LABEL		1
0KQW	LOCK NUT	M5*0.8 T=5	1	30XB	CAUTION LABEL		1
0KQY	LOCK NUT	M8*1.25 T=8	1	30Z4	PLUNGER HOUSING ASS'Y		1
0KR1	LOCK NUT	M16*2.0 T=16	1	3103	CR. RE. PAN HD. SCREW	M6*1.0-55	2
0KR3	LOCK NUT	M6*1.0 T=6	1	3115	SHAFT SLEEVE		1
0KR4	LOCK NUT	M8*1.25 T=8	1	31AB	ARBOR COLLAR		1
0KUW	TERMINAL		2	31GD	LEAD WIRE ASS'Y		1
052B	CR.RE. PAN HD. TAPPING SCREW	M6*1.0-25	2	31GF	POWER CABLE		1
159P	HEX. SOC. SET SCREW	M5*0.8-20	1	31HY	CONTROLLER ASS'Y		1
20X0	EXTENTION WING		2	31MW	CABLE CLAMP		1
20X7	ARM BRACKET		2	31VX	CR. RE. TRUSS HD. ROUND NECK SCREW	M6*1.0-14	1
20XE	SPECIAL BOLT		1	31Y9	CUTTER SHAFT GUARD		1
20XF	NEEDLE POINTER		1	31YC	CR. RE. PAN HD. SCREW	M6*1.0-10	1
21C4	SET PLATE		1	3265	PLUNGER HOUSING ASS'Y		1

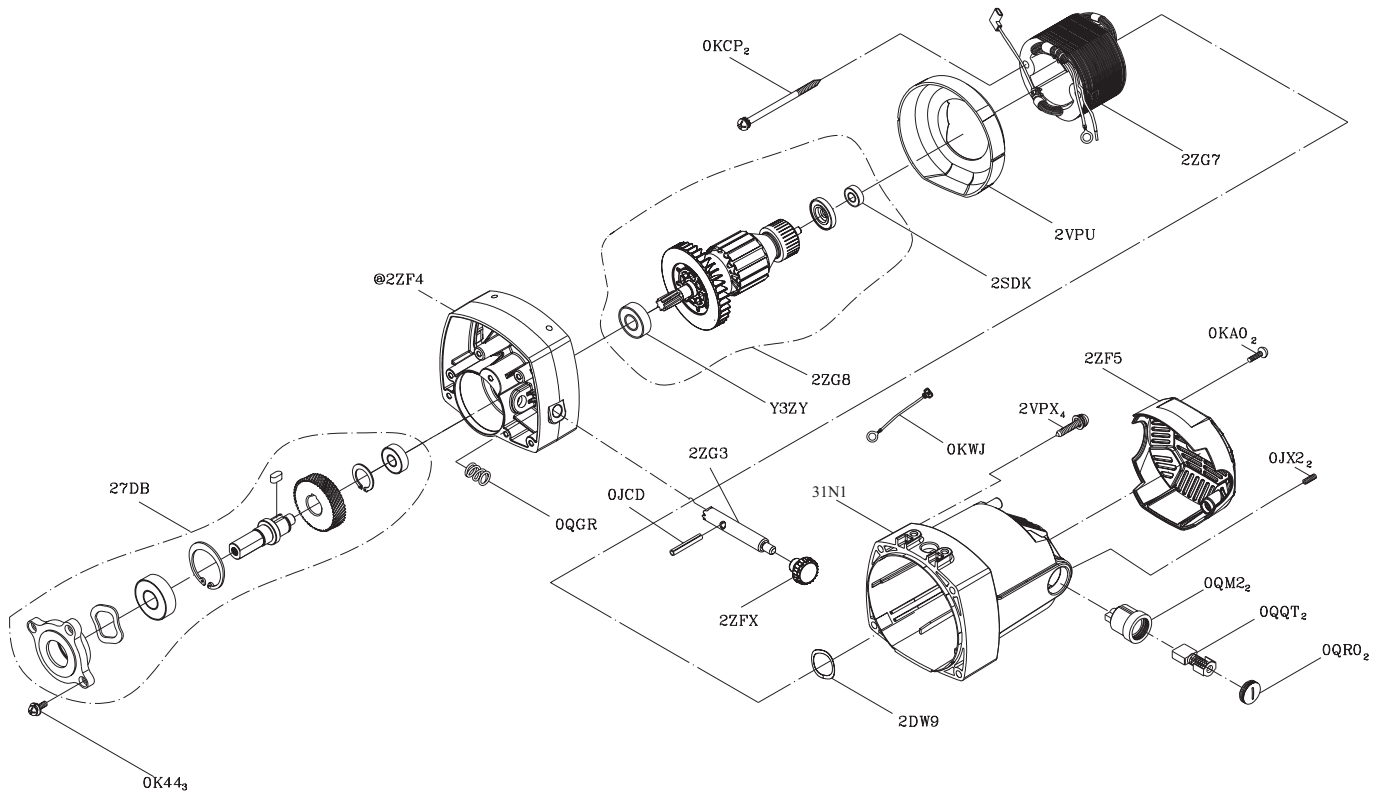
12 IN. (305 MM) COMPOUND MITER SAW SCHEMATIC



12 IN. (305 MM) COMPOUND MITER SAW

PARTS LIST & SCHEMATIC FOR MOTOR

ID NO.	Description	Size	Q'TY
0JCD	SPRING PIN		1
0JX2	HEX.-SOC SET SCREW	M5×0.8-6	2
0K44	CR.RE. PAN HD. SCREW & WASHER	M5X0.8-12	3
0KA0	CR.RE. PAN HD. TAPPING SCREW	M5*12-20	2
0KCP	CR.RE. PAN HEAD TAPPING & WASHER SCREW	M5*12-60	2
0KWJ	LEAD WIRE ASS'Y		1
0QGR	COMPRESSION SPRING		1
0QM2	BRUSH HOLDER ASS'Y		2
0QQT	BRUSH ASS'Y		2
0QR0	BRUSH COVER		2
27DB	CUTTER SHAFT ASS'Y		1
2DW9	WAVE WASHER		1
2SDK	BALL BEARING		1
2VPU	FLOW GUIDE		1
2VPX	CR.RE. PAN HD. SCREW & WASHER	M6*1.0-55	4
2ZF4	GEAR BOX		1
2ZF5	MOTOR REAR COVER		1
2ZFX	CLAMP BOLT		1
2ZG3	CLEVIS PIN		1
2ZG7	FIELD ASS'Y		1
2ZG8	ARMATURE ASS'Y		1
2ZG6	MOTOR ASS'Y		1
31N1	MOTOR COVER		1
Y3ZY	BALL BEARING		1



NOTES

WARRANTY

THREE YEAR LIMITED WARRANTY

PORTER-CABLE will repair, without charge, any defects due to faulty materials or workmanship for three years from the date of purchase. This warranty does not cover part failure due to normal wear or tool abuse. For further detail of warranty coverage and warranty repair information, visit www.portercable.com or call (888) 609-9779. This warranty does not apply to accessories or damage caused where repairs have been made or attempted by others. This warranty gives you specific legal rights and you may have other rights which vary in certain states or provinces.

In addition to the warranty, PORTER-CABLE tools are covered by our:

1 YEAR FREE SERVICE: PORTER-CABLE will maintain the tool and replace worn parts caused by normal use, for free, any time during the first year after purchase.

90 DAYS MONEY BACK GUARANTEE: If you are not completely satisfied with the performance of your PORTER-CABLE Power Tool for any reason, you can return it within 90 days from the date of purchase with a receipt for a full refund – no questions asked.

LATIN AMERICA: This warranty does not apply to products sold in Latin America. For products sold in Latin America, see country specific warranty information contained in the packaging, call the local company or see website for warranty information.

To register your tool for warranty service visit our website at www.portercable.com.

WARNING LABEL REPLACEMENT

If your warning labels become illegible or are missing, call (888) 609-9779 for a free replacement.

The following are PORTER-CABLE trademarks for one or more power tools and accessories: a gray and black color scheme; a “four point star” design; and three contrasting/outlined longitudinal stripes. The following are also trademarks for one or more Porter-Cable and Delta products: 2 BY 4[®], 890[™], Air America[®], AIRBOSS[™], Auto-Set[®], B.O.S.S.[®], Bammer[®], Biesemeyer[®], Builders Saw[®], Charge Air[®], Charge Air Pro[®], CONTRACTOR SUPERDUTY[®], Contractor’s Saw[®], Delta[®], DELTA[®], Delta Industrial[®], DELTA MACHINERY & DESIGN[™], Delta Shopmaster and Design[®], Delta X5[®], Deltacraft[®], DELTAGRAM[®], Do It. Feel it.[®], DUAL LASERLOC AND DESIGN[®], EASY AIR[®], EASY AIR TO GO[™], ENDURADIAMOND[®], Ex-Cell[®], Front Bevel Lock[®], Get Yours While the Sun Shines[®], Grip to Fit[®], GRIPVAC[™], GTF[®], HICKORY WOODWORKING[®], Homecraft[®], HP FRAMER HIGH PRESSURE[®], IMPACT SERIES[™], Innovation That Works[®], Jet-Lock[®], Job Boss[®], Kickstand[®], LASERLOC[®], LONG-LASTING WORK LIFE[®], MAX FORCE[™], MAX LIFE[®], Micro-Set[®], Midi-Lathe[®], Monsoon[®], MONSTER-CARBIDE[™], Network[®], OLDHAM[®], Omnijig[®], PC EDGE[®], Performance Crew[™], Performance Gear[®], Pocket Cutter[®], Porta-Band[®], Porta-Plane[®], Porter-Cable[®], Porter-Cable Professional Power Tools[®], Powerback[®], POZI-STOP[™], Pressure Wave[®], PRO 4000[®], Proair[®], Quicksand and Design[®], Quickset II[®], QUIET DRIVE TECHNOLOGY[™], QUIET DRIVE TECHNOLOGY AND DESIGN[™], Quick-Change[®], QUIK-TILT[®], RAPID-RELEASE[™], RAZOR[®], Redefining Performance[®], Riptide[®], Safe Guard II[®], Sand Trap and Design[®], Sanding Center[®], Saw Boss[®], Shop Boss[®], Sidekick[®], Site Boss[®], Speed-Bloc[®], Speedmatic[®], Stair Ease[®], Steel Driver Series[®], SUPERDUTY[®], T4 & DESIGN[®], THE AMERICAN WOODSHOP[®], THE PROFESSIONAL EDGE[®], Thin-Line[®], Tiger Saw[®], TIGERCLAW[®], TIGERCLAW AND DESIGN[®], Torq-Buster[®], TRU-MATCH[®], T-Square[®], Twinlaser[®], Unifence[®], Uniguard[®], UNIRIP[®], UNISAW[®], UNITED STATES SAW[®], Veri-Set[®], Versa-Feeder[®], VIPER[®], VT[™], VT RAZOR[™], Water Driver[®], WATER VROOM[®], Waveform[®], Whisper Series[®], X5[®], YOUR ACHIEVEMENT. OUR TOOLS.[®] Trademarks noted with ® are registered in the United States Patent and Trademark Office and may also be registered in other countries. Other trademarks may apply.

PORTER-CABLE and the PORTER-CABLE logo are registered trademarks of PORTER-CABLE and are used under license. All rights reserved.

PORTER  CABLE.

Power Tool Specialists, Inc.
684 Huey Road, Rock Hill, SC 29730
(888) 609-9779
www.portercable.com