

**ESPAÑOL: PÁGINA 6**  
**FRANÇAIS: PAGE 10**

**Instruction manual**  
**Manual de**  
**Instrucciones**  
**Manuel d'instructions**

**JOB BOSS™**  
**Mobility Kit**  
**Carretilla Portadora**  
**Desarmada**  
**Trousse de transport**



**MODEL PTA50**  
**MODELO PTA50**  
**MODÈLE PTA50**

To learn more about Porter-Cable visit  
our website at:

<http://www.porter-cable.com>

Para obtener más información sobre  
Porter-Cable, visite nuestro sitio web en:

<http://www.porter-cable.com>

Pour de plus amples renseignements  
concernant Porter-Cable, consultez  
notre site Web à l'adresse suivante:

<http://www.porter-cable.com>

**PORTER-CABLE**

**IMPORTANT**

*Please make certain that the person who is  
to use this equipment carefully reads and  
understands these instructions before  
starting operations.*

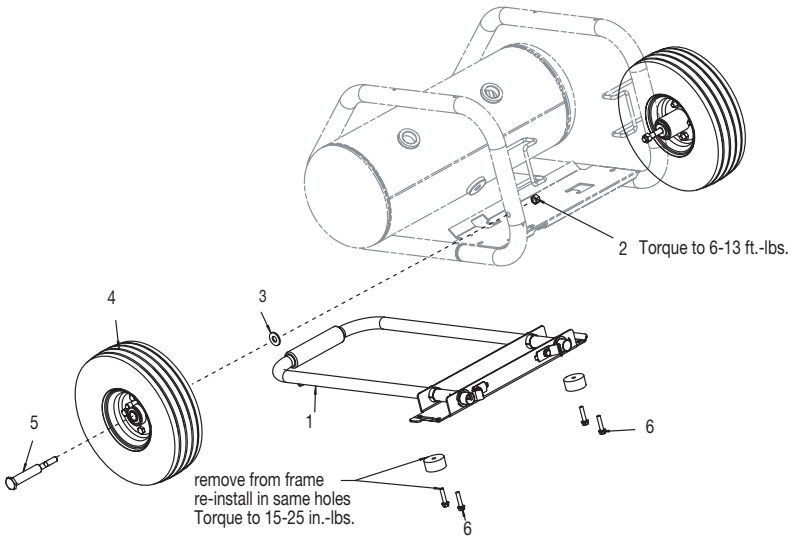
**IMPORTANTE**

*Asegúrese de que la persona que va a usar esta  
herramienta lea cuidadosamente y comprenda  
estas instrucciones antes de empezar a  
operarla.*

**IMPORTANT**

*Veillez vous assurer que la personne qui  
utilise cet outil lit attentivement et comprend  
ces instructions avant de commencer à utiliser  
l'outil.*

## Contents of Mobility Kit



<b>Key#</b>	<b>Part #</b>	<b>Description</b>	<b>Qty</b>
1	D28461	Handle Assembly	1
2	SSF-8080-ZN	Nut.375-16 UNC-2B HEX	2
3	SS-1525-CD	Washer 3/8	2
4	D23067	Wheel, 10 inch	2
5	D28105	Axle Bolt, 5/8 DIA	2
6	SSF-927	Screw, .250-20X1.125	2

## Tools Required for Assembly

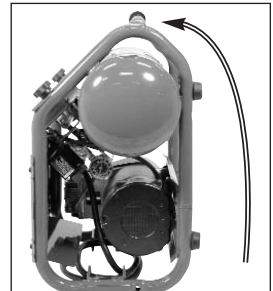
- 1 - 3/8" socket
- 1 - 9/16" open end wrench or adjustable wrench
- 1 - 7/8" open end wrench or adjustable wrench

**⚠ WARNING** Unit cycles automatically when power is on. Before assembling mobility kit:

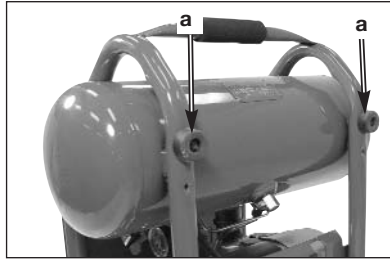
- Unplug or disconnect electrical supply to the air compressor.
- Bleed tank of pressure.
- Allow the air compressor to cool.

## To Assemble

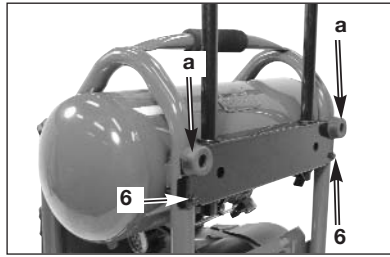
1. Tilt unit up and set on frame as shown.



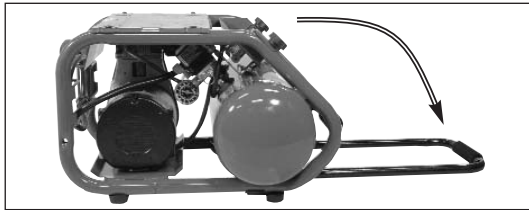
- Using a 3/8" socket remove the top rubber bumpers (a) from frame. Save rubber bumpers and screws.



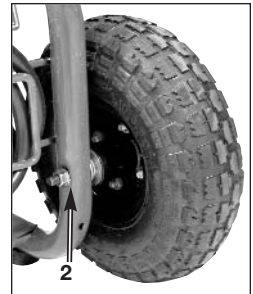
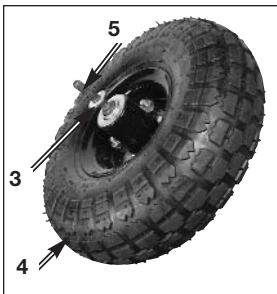
- Align holes in handle assembly (1) with holes in frame. Re-install rubber bumpers (a) and screws in top holes.
- In the bottom holes use the screws (6) supplied in kit to secure handle assembly to frame. Torque screws to 15-25 in.-lbs.



- Carefully place unit in operating position.

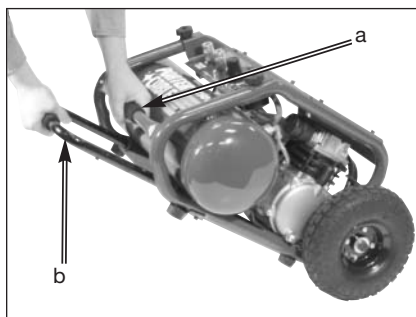


- Slide wheel (4) and washer (3) onto axle bolt (5).
- Place axle bolt (5) with washer (3) into hole in frame, slightly lift frame, and push axle bolt through the frame. Secure with hex nut (2) as shown. Repeat on other side and torque hex nut to 6-13 ft.-lbs.

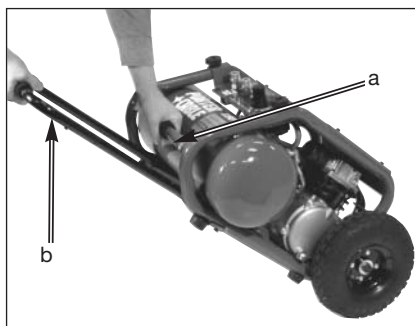


## How to transport unit using wheel kit

1. Grasp carrying handle (a) to lift unit.



2. Slide handle (b) out until it locks into place.



3. Pull unit as shown, do not push unit. **NOTE:** When transporting do not lift the unit to the point where it would tip over backwards.



**IMPORTANT:** Only use pulling handle to pull unit, use the carrying handle to lift and carry unit.

**NOTE:** Push pulling handle into place for storage.

# LIMITED WARRANTY

**PORTER-CABLE CORPORATION** warrants to the original purchaser that all products covered under this warranty are free from defects in material and workmanship. Products covered under this warranty include air compressors, air tools, service parts, pressure washers, and generators, which have the following warranty periods:

**3 YEARS** - Limited warranty on 2-stage oil-free air compressor pumps that operate at 1725 RPM.

**2 YEARS** - Limited warranty on oil-lubricated air compressor pumps.

**1 YEAR** - Limited warranty on all other air compressor components.

**2 YEARS** - Limited warranty on electric generator alternators.

**1 YEAR** - Limited warranty on other generator components.

**2 YEARS** - Limited warranty on pneumatic air tools as described in Porter-Cable general catalog.

**1 YEAR** - Limited warranty on pressure washers used in consumer applications (i.e. personal residential household usage only).

**90 DAY** - Pressure washers used for commercial applications (income producing) and service parts.

**1 YEAR** - Limited warranty on all accessories.

**Porter-Cable** will repair or replace, at **Porter-Cable's** option, products or components which have failed within the warranty period. Service will be scheduled according to the normal work flow and business hours at the service center location, and the availability of replacement parts. All decisions of **Porter-Cable** Corporation with regard to this limited warranty shall be final.

This warranty gives you specific legal rights, and you may also have other rights which vary from state to state.

## RESPONSIBILITY OF ORIGINAL PURCHASER (initial User):

- To process a warranty claim on this product, DO NOT return it to the retailer. The product must be evaluated by a **Porter-Cable** Authorized Warranty Service Center. For the location of the nearest **Porter-Cable** Authorized Warranty Service Center call 1-888-559-8550, 24 hours a day, 7 days a week.
- Retain original cash register sales receipt as proof of purchase for warranty work.
- Use reasonable care in the operation and maintenance of the product as described in the Owners Manual(s).
- Deliver or ship the product to the nearest **Porter-Cable** Authorized Warranty Service Center. Freight costs, if any, must be paid by the purchaser.
- Air compressors with 60 and 80 gallon tanks will be inspected at the site of installation. Contact the nearest **Porter-Cable** Authorized Warranty Service Center that provides on-site service calls, for service call arrangements.
- If the purchaser does not receive satisfactory results from the **Porter-Cable** Authorized Warranty Service Center, the purchaser should contact Porter-Cable.

## THIS WARRANTY DOES NOT COVER:

- Merchandise sold as reconditioned, used as rental equipment, and floor or display models.
- Merchandise that has become damaged or inoperative because of ordinary wear, misuse\*, cold, heat, rain, excessive humidity, freeze damage, use of improper chemicals, negligence, accident, failure to operate the product in accordance with the instructions provided in the Owners Manual(s) supplied with the product, improper maintenance, the use of accessories or attachments not recommended by **Porter-Cable**, or unauthorized repair or alterations.
- \* An air compressor that pumps air more than the recommended duty cycle during a one hour period may be considered misuse.
- Repair and transportation costs of merchandise determined not to be defective.
- Costs associated with assembly, required oil, adjustments or other installation and start-up costs.
- Expendable parts or accessories supplied with the product which are expected to become inoperative or unuseable after a reasonable period of use, including but not limited to sanding disks or pads, saw and shear blades, grinding stones, springs, chisels, nozzles, o-rings, air jets, washers and similar accessories.
- Merchandise sold by **Porter-Cable** which has been manufactured by and identified as the product of another company, such as gasoline engines. The product manufacturer's warranty, if any, will apply.
- **ANY INCIDENTAL, INDIRECT OR CONSEQUENTIAL LOSS, DAMAGE, OR EXPENSE THAT MAY RESULT FROM ANY DEFECT, FAILURE OR MALFUNCTION OF THE PRODUCT IS NOT COVERED BY THIS WARRANTY.** Some states do not allow the exclusion or limitation of incidental or consequential damages, so the above limitation or exclusion may not apply to you.
- **IMPLIED WARRANTIES, INCLUDING THOSE OF MERCHANTABILITY OR FITNESS FOR A PARTICULAR PURPOSE, ARE LIMITED TO ONE YEAR FROM THE DATE OF ORIGINAL PURCHASE.** Some states do not allow limitations on how long an implied warranty lasts, so the above limitations may not apply to you.

# PORTER-CABLE

*Porter-Cable Corporation*  
Jackson, TN USA  
1-888-559-8550