

Instruction manual

Laminate Trimmer



MODEL
310

To learn more about Porter-Cable
visit our website at:

<http://www.porter-cable.com>

PORTER-CABLE®

IMPORTANT

Please make certain that the person who is to use this equipment carefully reads and understands these instructions before starting operations.

The Model and Serial No. plate is located on the main housing of the tool. Record these numbers in the spaces below and retain for future reference.

Model No. _____

Type _____

Serial No. _____

TABLE OF CONTENTS

IMPORTANT SAFETY INSTRUCTIONS	2
SAFETY GUIDELINES - DEFINITIONS	3
GENERAL SAFETY RULES	4
ADDITIONAL SPECIFIC SAFETY RULES	6
CARTON CONTENTS	8
FUNCTIONAL DESCRIPTION	8
ASSEMBLY	9
OPERATION	9
TROUBLESHOOTING	13
MAINTENANCE	13
SERVICE	14
ACCESSORIES	14
WARRANTY	14
ESPAÑOL	15
FRANÇAIS	29

IMPORTANT SAFETY INSTRUCTIONS

⚠ WARNING Read and understand all warnings and operating instructions before using any tool or equipment. When using tools or equipment, basic safety precautions should always be followed to reduce the risk of personal injury. Improper operation, maintenance or modification of tools or equipment could result in serious injury and property damage. There are certain applications for which tools and equipment are designed. Porter-Cable strongly recommends that this product **NOT** be modified and/or used for any application other than for which it was designed.

If you have any questions relative to its application DO NOT use the product until you have written Porter-Cable and we have advised you.

Online contact form at www.porter-cable.com

Postal Mail: Technical Service Manager

Porter-Cable
4825 Highway 45 North
Jackson, TN 38305

Information regarding the safe and proper operation of this tool is available from the following sources:

Power Tool Institute

1300 Sumner Avenue, Cleveland, OH 44115-2851

www.powertoolinstitute.org

National Safety Council

1121 Spring Lake Drive, Itasca, IL 60143-3201

American National Standards Institute, 25 West 43rd Street, 4 floor, New York, NY 10036 www.ansi.org ANSI 01.1 Safety Requirements for Woodworking Machines, and the U.S. Department of Labor regulations www.osha.gov

SAVE THESE INSTRUCTIONS!

SAFETY GUIDELINES - DEFINITIONS

It is important for you to read and understand this manual. The information it contains relates to protecting YOUR SAFETY and PREVENTING PROBLEMS. The symbols below are used to help you recognize this information.



▲ DANGER

indicates an imminently hazardous situation which, if not avoided, will result in death or serious injury.

▲ WARNING

indicates a potentially hazardous situation which, if not avoided, could result in death or serious injury.

▲ CAUTION

indicates a potentially hazardous situation which, if not avoided, may result in minor or moderate injury.

CAUTION

used without the safety alert symbol indicates potentially hazardous situation which, if not avoided, may result in property damage.

CALIFORNIA PROPOSITION 65

▲ WARNING

Some dust created by power sanding, sawing, grinding, drilling, and other construction activities contains chemicals known (to the State of California) to cause cancer, birth defects or other reproductive harm. Some examples of these chemicals are:

- lead from lead-based paints
- crystalline silica from bricks and cement and other masonry products
- arsenic and chromium from chemically-treated lumber

Your risk from these exposures varies, depending on how often you do this type of work. To reduce your exposure to these chemicals: work in a well ventilated area, and work with approved safety equipment, always wear NIOSH/OSHA approved, properly fitting face mask or respirator when using such tools.

GENERAL SAFETY RULES

⚠ WARNING Read all instructions. Failure to follow all instructions listed below may result in electric shock, fire and/or serious injury. The term "power tool" in all of the warnings listed below refers to your mains-operated (corded) power tool or battery-operated (cordless) power tool.



SAVE THESE INSTRUCTIONS

1) Work area safety

- a) **Keep work area clean and well lit.** Cluttered or dark areas invite accidents.
- b) **Do not operate power tools in explosive atmospheres, such as in the presence of flammable liquids, gases or dust.** Power tools create sparks which may ignite the dust or fumes.
- c) **Keep children and bystanders away while operating a power tool.** Distractions can cause you to lose control.

2) Electrical safety

- a) **Power tool plugs must match the outlet. Never modify the plug in any way. Do not use any adapter plugs with earthed (grounded) power tools.** Unmodified plugs and matching outlets will reduce risk of electric shock.
- b) **Avoid body contact with earthed or grounded surfaces such as pipes, radiators, ranges and refrigerators.** There is an increased risk of electric shock if your body is earthed or grounded.
- c) **Do not expose power tools to rain or wet conditions.** Water entering a power tool will increase the risk of electric shock.
- d) **Do not abuse the cord. Never use the cord for carrying, pulling or unplugging the power tool. Keep cord away from heat, oil, sharp edges or moving parts.** Damaged or entangled cords increase the risk of electric shock.
- e) **When operating a power tool outdoors, use an extension cord suitable for outdoor use.** Use of a cord suitable for outdoor use reduces the risk of electric shock.

3) Personal safety

- a) **Stay alert, watch what you are doing and use common sense when operating a power tool. Do not use a power tool while you are tired or under the influence of drugs, alcohol or medication.** A moment of inattention while operating power tools may result in serious personal injury.
- b) **Use safety equipment. Always wear eye protection.** Safety equipment such as dust mask, non-skid safety shoes, hard hat, or hearing protection used for appropriate conditions will reduce personal injuries.
- c) **Avoid accidental starting. Ensure the switch is in the off-position before plugging in.** Carrying power tools with your finger on the switch or plugging in power tools that have the switch on invites accidents.

GENERAL SAFETY RULES continued

- d) **Remove any adjusting key or wrench before turning the power tool on.** A wrench or a key left attached to a rotating part of the power tool may result in personal injury.
- e) **Do not overreach. Keep proper footing and balance at all times.** This enables better control of the power tool in unexpected situations.
- f) **Dress properly. Do not wear loose clothing or jewelry. Keep your hair, clothing and gloves away from moving parts.** Loose clothes, jewelry or long hair can be caught in moving parts.
- g) **If devices are provided for the connection of dust extraction and collection facilities, ensure these are connected and properly used.** Use of these devices can reduce dust-related hazards.

4) Power tool use and care

- a) **Do not force the power tool. Use the correct power tool for your application.** The correct power tool will do the job better and safer at the rate for which it was designed.
- b) **Do not use the power tool if the switch does not turn it on and off.** Any power tool that cannot be controlled with the switch is dangerous and must be repaired.
- c) **Disconnect the plug from the power source before making any adjustments, changing accessories, or storing power tools.** Such preventive safety measures reduce the risk of starting the power tool accidentally.
- d) **Store idle power tools out of the reach of children and do not allow persons unfamiliar with the power tool or these instructions to operate the power tool.** Power tools are dangerous in the hands of untrained users.
- e) **Maintain power tools. Check for misalignment or binding of moving parts, breakage of parts and any other condition that may affect the power tools operation. If damaged, have the power tool repaired before use.** Many accidents are caused by poorly maintained power tools.
- f) **Keep cutting tools sharp and clean.** Properly maintained cutting tools with sharp cutting edges are less likely to bind and are easier to control.
- g) **Use the power tool, accessories and tool bits etc., in accordance with these instructions and in the manner intended for the particular type of power tool, taking into account the working conditions and the work to be performed.** Use of the power tool for operations different from those intended could result in a hazardous situation.








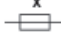


5) Service

- a) **Have your power tool serviced by a qualified repair person using only identical replacement parts.** This will ensure that the safety of the power tool is maintained.

ADDITIONAL SPECIFIC SAFETY RULES

1. **Use clamps or other practical way to secure and support the workpiece to a stable platform.** Holding the work by hand or against your body is unstable and may lead to loss of control.
2. **Tighten Collet nut securely to prevent the bit from slipping.** Never tighten collet nut without a bit. Never adjust depth of cut while motor is running. A slip at this time may cause personal injury, or damage to cutter or workpiece.
3. **Be sure cord set is free and will not "hang up" during trimming operations.** A tangled cord could result in personal injury, or damage to work.
4. **Keep hands clear of cutter when motor is running.** A moment of inattention while operating power tools may result in serious personal injury.
5. **Maintain firm grip on trimmer when starting motor to resist starting torque.** Loss of control could result, causing personal injury, or damage to work.
6. **Keep cutter clear of all foreign objects while motor is running.** Provide clearance under workpiece for the bit when through-cutting. This enables better control of the power tool in unexpected situations.
7. **Exercise extreme caution when blind cutting.** Be certain that there are no foreign objects such as electrical wire, conduit, plumbing pipes, etc., that may come into contact with the blade.
8. **Be sure motor has completely stopped before setting trimmer down between operations.** Such preventive safety measures reduce the risk of personal injury, or damage to work.
9. Never touch bit immediately after use. It may be extremely hot.
10. **Do not use Laminate Trimmer motor without the Laminate Trimmer Base installed.** Loss of control could result, causing personal injury, or damage to work.
11. **Wear eye and hearing protection. Always use safety glasses.** Everyday eyeglasses are NOT safety glasses. USE CERTIFIED SAFETY EQUIPMENT. Eye protection equipment should comply with ANSI Z87.1 standards. Hearing equipment should comply with ANSI S3.19 standards.
12. **▲WARNING** Use of this tool can generate and disburse dust or other airborne particles, including wood dust, crystalline silica dust and asbestos dust. Direct particles away from face and body. Always operate tool in well ventilated area and provide for proper dust removal. Use dust collection system wherever possible. Exposure to the dust may cause serious and permanent respiratory or other injury, including silicosis (a serious lung disease), cancer, and death. Avoid breathing the dust, and avoid prolonged contact with dust. Allowing dust to get into your mouth or eyes, or lay on your skin may promote absorption of harmful material. Always use properly fitting NIOSH/OSHA approved respiratory protection appropriate for the dust exposure, and wash exposed areas with soap and water.

SAVE THESE INSTRUCTIONS!

SYMBOL	DEFINITION
V	volts
A	amperes
Hz	hertz
W	watts
kW	kilowatts
F	farads
μ F	microfarads
l	litres
g	grams
kg	kilograms
bar	bars
Pa	pascals
h	hours
min	minutes
s	seconds
n_0	no-load speed
.../min or ...min ⁻¹	Revolutions or reciprocations per minute
 or d.c.	direct current
 or a.c.	alternating current
2 	two-phase alternating current
2N 	two-phase alternating current with neutral
3 	three-phase alternating current
3N 	three-phase alternating current with neutral
 A	rated current of the appropriate fuse-link in amperes
	time-lag miniature fuse-link where X is the symbol for the time/current characteristic, as given in IEC 60127
	protective earth
	class II tool
IPXX	IP symbol

SAVE THESE INSTRUCTIONS!

MOTOR

Many Porter-Cable tools will operate on either D.C., or single phase 25 to 60 cycle A.C. current and voltage within plus or minus 5 percent of that shown on the specification plate on the tool. Several models, however, are designed for A.C. current only. Refer to the specification plate on your tool for proper voltage and current rating.

CAUTION Do not operate your tool on a current on which the voltage is not within correct limits. Do not operate tools rated A.C. only on D.C. current. To do so may seriously damage the tool.

EXTENSION CORD SELECTION

If an extension cord is used, make sure the conductor size is large enough to prevent excessive voltage drop which will cause loss of power and possible motor damage. A table of recommended extension cord sizes will be found in this section. This table is based on limiting line voltage drop to 5 volts (10 volts for 230 volts) at 150% of rated amperes.

If an extension cord is to be used outdoors, it must be marked with the suffix W-A or W following the cord type designation. For example – SJTW-A to indicate it is acceptable for outdoor use.

RECOMMENDED EXTENSION CORD SIZES FOR USE WITH PORTABLE ELECTRIC TOOLS										
Length of Cord in Feet										
	115V	25 Ft.	50 Ft.	100 Ft.	150 Ft.	200 Ft.	250 Ft.	300 Ft.	400 Ft.	500 Ft.
	230V	50 Ft.	100 Ft.	200 Ft.	300 Ft.	400 Ft.	500 Ft.	600 Ft.	800 Ft.	1000 Ft.
Nameplate Ampere Rating	0-2	18	18	18	16	16	14	14	12	12
	2-3	18	18	16	14	14	12	12	10	10
	3-4	18	18	16	14	12	12	10	10	8
	4-5	18	18	14	12	12	10	10	8	8
	5-6	18	16	14	12	10	10	8	8	6
	6-8	18	16	12	10	10	8	6	6	6
	8-10	18	14	12	10	8	8	6	6	4
	10-12	16	14	10	8	8	6	6	4	4
	12-14	16	12	10	8	6	6	6	4	2
	14-16	16	12	10	8	6	6	4	4	2
	16-18	14	12	8	8	6	4	4	2	2
18-20	14	12	8	6	6	4	4	2	2	

SAVE THESE INSTRUCTIONS!

CARTON CONTENTS

1. Trimmer motor
2. Trimmer base
3. Open-end wrenches (2)

FUNCTIONAL DESCRIPTION

FOREWORD

The Porter-Cable Model 310 Laminate Trimmer is designed for trimming laminated plastics, phenolics and other similar materials having a bonding agent too hard to be trimmed with ordinary tools.

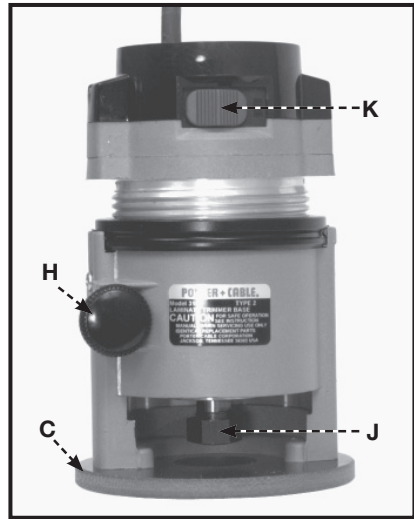
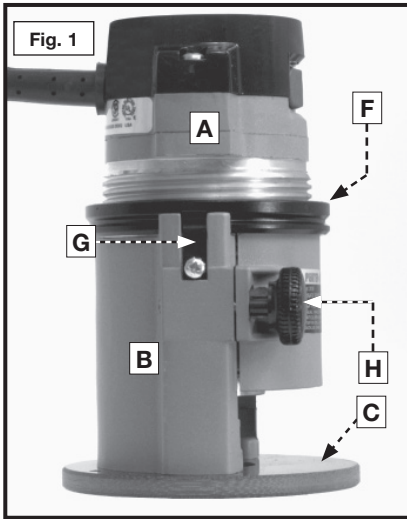
ASSEMBLY

NOTE: This tool is shipped completely assembled. No assembly time or tools are required.

OPERATION

SELECTING THE BIT

The Model 310 is equipped with a 1/4" diameter collet to accept laminate trimming bits with 1/4" diameter shanks.



A – Motor Unit
B – Base Unit
C – Sub-Base
F – Depth Adjusting Ring

G – Ring Spring
H – Clamp Knob
J – Collet Nut
K – Switch

TO INSTALL THE BIT

⚠ WARNING Disconnect the tool from the power source!

- To remove the power unit from the base unit:
 - Loosen the clamping knob (H) Fig. 1.
 - Grasp motor unit (A) Fig. 1. Pull it straight up and out of the base unit (B) Fig. 1. This action will release the depth-adjusting ring (F) Fig. 1, from ring springs (G) Fig. 1.
- Lay the power unit on the bench with the collet toward you.
- Clean and insert the shank of bit into the collet until the end of the shank bottoms. Then pull out approximately 1/16".
- Place one wrench on the flats of the shaft directly above collet nut (J) Fig. 1. Let the far end of wrench rest on the bench.
- Place other wrench on collet nut (J) Fig. 1, and turn clockwise to tighten. **TIGHTEN SECURELY.**

TO REMOVE THE BIT

⚠ WARNING Do not touch the trimmer bits immediately after use. They can get very hot.

1. Repeat Steps 1 through 3 under "TO INSTALL BIT".
2. Place one wrench on the flats of the shaft directly above the collet nut (J) Fig. 1. Let the far end of the wrench rest on the bench to your LEFT.
3. Place the other wrench on the collet nut. Turn it counter-clockwise only enough to allow for the removal of the bit.

CAUTION To prevent damage to the collet, do not tighten the collet without a bit inserted.

ADJUSTING BIT EXPOSURE

⚠ WARNING Disconnect the tool from the power source!

1. With the power unit removed from the base unit, turn the depth-adjusting ring to approximately six threads from the top of the motor unit.
2. Insert the motor unit into the base unit. Align one of the grooves in the motor housing with the pin protruding from the inner wall of the base. Continue until the ring-springs snap into the groove in the depth-adjusting ring.
3. Turn the depth-adjusting ring clockwise (when you view it from the top) to decrease the depth of cut, or counter-clockwise to increase the depth of cut.

NOTE: For convenience in making slight adjustments, a marker can be found on the base next to the ring spring. The depth adjusting ring is graduated with eight equally spaced lines each representing 1/64" change in depth of cut, (when rotated in relation to the marker). One complete turn of the ring changes the depth of cut 1/8".

4. Use finger pressure only to tighten the clamping knob.
5. Make a practice cut on a piece of scrap material (see "USING A LAMINATE TRIMMER").

USING A LAMINATE TRIMMER

⚠ WARNING Disconnect the tool from the power source!

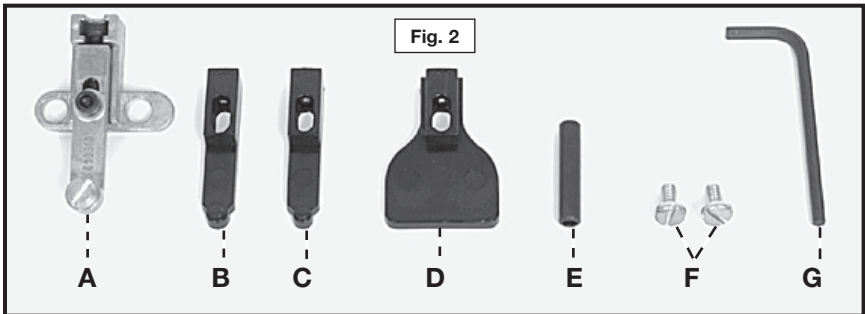
⚠ WARNING Always wear ansi Z87.1 safety glasses while operating a laminate trimmer.

1. Allow your workpiece to overhang the base material by a least 1/8".
2. Firmly grasp the motor housing, being sure that the switch is in the "OFF" position.
3. Ensure that the bit is clear of foreign objects and that the cord will not "hang up" on any obstructions.
4. Hold the workpiece firmly in place. Use clamps when necessary.
5. Plug in the power supply cord. Be alert to resist the starting torque of the motor. Turn the motor "ON".
6. Allow the motor to reach "full speed". Place the base of the trimmer on surface of the workpiece. Feed the trimmer into workpiece until bit pilot contacts the base material. When guiding on a previously laminated surface, always wax or lubricate the area where the guide will ride.
7. Feed from left to right with smooth steady motion.
8. When the operation is complete, turn the switch "OFF". Allow the motor to come to a complete stop before laying trimmer down.

73100 EDGE GUIDE KIT

The Model 73100 Edge Guide Kit is available (as an accessory) for use with the Model 310 trimmer. The 73100 is designed for use with non-piloted bits, on curved or straight applications. Non-piloted bits can produce a 90° straight cut, a 10° bevel cut, or a 22° bevel cut. The kit contains the parts shown in Fig. 2.:

- A – Base and roller guide - for use with non-piloted bits
- B – Edge guide – for flush trimming
- C – Edge guide – for bevel trimming
- D – Straight edge guide – for straight trimming
- E – Guide setting gauge
- F – Mounting screws
- G – Wrench



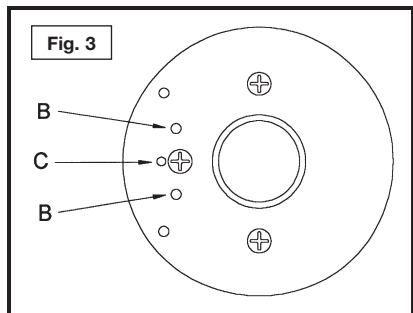
G – Wrench

ATTACHING AND ADJUSTING THE BASE AND ROLLER (73100)

⚠ WARNING Disconnect the tool from the power source!

1. Remove the power unit from the base unit (see "TO INSTALL BIT"), and install the bit.
2. Position the base and roller guide assembly (A) Fig. 2 to the base unit. The alignment pin on the back of the guide base fits into hole (C) Fig. 3.
3. Place the two mounting screws (F) Fig. 2 through the guide base and thread into sub-base holes (B) Fig. 3. Tighten screws firmly.
4. Install the motor to the base and adjust the bit exposure (see "ADJUSTING THE BIT EXPOSURE").

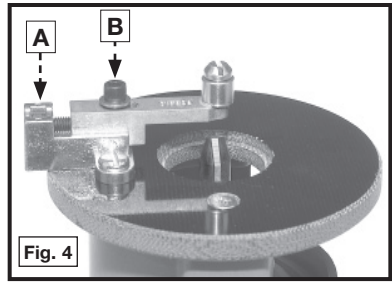
NOTE: For FLUSH CUTS, adjust bit exposure so that the straight cutting edge (of the bit) will engage the work. For BEVEL CUTS, adjust the bit exposure so that the angled cutting edge (of the bit) will engage the work.



5. Align the roller guide with the bit by loosening the locking screw (A) Fig. 4, and turning the adjusting screw (B) Fig. 4, (with the hex wrench provided), until guide is in desired location.

NOTE: For FLUSH CUTS, align the roller with the straight portion of the bit. For BEVEL CUTS, adjust the roller to expose the desired amount of the bevel bit.

6. Tighten the locking screw and make a trial cut on scrap material to check for alignment. Readjust if necessary.



FLUSH TRIMMING

⚠ WARNING Disconnect the tool from the power source!

1. Attach base and guide to the trimmer as outlined under "**ASSEMBLING AND ADJUSTING THE BASE AND ROLLER**".
2. Remove the roller guide and replace it with the flush trimming guide (B) Fig. 2. Identify this by the molded letter "F". Face the stud on the end of this guide toward the trimmer base.
3. Install the guide setting gauge (E) Fig. 2 into the trimmer collet (see "**TO INSTALL BIT**"). Install the trimmer motor to base. Adjust guide so that hole in end of gauge may be positioned over the guide stud.
4. Remove the guide setting gauge from the trimmer and install the flush trimming bit.
5. Adjust the depth-of-cut so that the straight portion of the bit extends below the trimmer base at least the thickness of the material to be trimmed.
6. Make a trial cut on scrap material. Readjust if necessary.

BEVEL TRIMMING

1. Follow Steps 1 through 5 under "**FLUSH TRIMMING**", except install bevel trimming guide (C) Fig. 2. Identify this guide by the molded letter "B".
2. Adjust the depth-of-cut so that only the bevel portion of the bit extends below the trimmer base at least the thickness of the workpiece.
3. Make a trial cut on scrap material to check alignment. Readjust if necessary.

USING STRAIGHT EDGE GUIDE

The straight edge guide (D) Fig. 2 may be used with either bit for trimming straight edges.

Attach it to the guide base and adjust similar to the other guides.

TROUBLESHOOTING

For assistance with your tool, visit our website at www.porter-cable.com for a list of service centers or call the Porter-Cable help line at 1-888-848-5175.

MAINTENANCE

KEEP TOOL CLEAN

Periodically blow out all air passages with dry compressed air. All plastic parts should be cleaned with a soft damp cloth. NEVER use solvents to clean plastic parts. They could possibly dissolve or otherwise damage the material.

⚠ WARNING Wear ANSI Z87.1 safety glasses while using compressed air.

FAILURE TO START

Should your tool fail to start, check to make sure the prongs on the cord plug are making good contact in the outlet. Also, check for blown fuses or open circuit breakers in the line.

LUBRICATION

This tool has been lubricated with a sufficient amount of high grade lubricant for the life of the unit under normal operating conditions. No further lubrication is necessary.

BRUSH INSPECTION (If applicable)

For your continued safety and electrical protection, brush inspection and replacement on this tool should ONLY be performed by an AUTHORIZED PORTER-CABLE SERVICE STATION or a PORTER-CABLE•DELTA FACTORY SERVICE CENTER.

At approximately 100 hours of use, take or send your tool to your nearest authorized Porter-Cable Service Station to be thoroughly cleaned and inspected. Have worn parts replaced and lubricated with fresh lubricant. Have new brushes installed, and test the tool for performance.

Any loss of power before the above maintenance check may indicate the need for immediate servicing of your tool. DO NOT CONTINUE TO OPERATE TOOL UNDER THIS CONDITION. If proper operating voltage is present, return your tool

SERVICE

REPLACEMENT PARTS

Use only identical replacement parts. For a parts list or to order parts, visit our website at servicenet.porter-cable.com. You can also order parts from your nearest factory-owned branch, or by calling our **Customer Care Center** at 1-888-848-5175 to receive personalized support from highly-trained technicians.

SERVICE AND REPAIRS

All quality tools will eventually require servicing and/or replacement of parts. For information about Porter-Cable, its factory-owned branches, or an Authorized Warranty Service Center, visit our website at www.porter-cable.com or call our **Customer Care Center** at 1-888-848-5175. All repairs made by our service centers are fully guaranteed against defective material and workmanship. We cannot guarantee repairs made or attempted by others.

You can also write to us for information at PORTER-CABLE, 4825 Highway 45 North, Jackson, Tennessee 38305 - Attention: Product Service. Be sure to include all of the information shown on the nameplate of your tool (model number, type, serial number, etc.).

ACCESSORIES

A complete line of accessories is available from your Porter-Cable•Delta Supplier, Porter-Cable•Delta Factory Service Centers, and Porter-Cable Authorized Service Stations. Please visit our Web Site www.porter-cable.com for a catalog or for the name of your nearest supplier.

▲ WARNING Since accessories other than those offered by PorterCable•Delta have not been tested with this product, use of such accessories could be hazardous. For safest operation, only Porter-Cable•Delta recommended accessories should be used with this product.

WARRANTY

PORTER-CABLE LIMITED ONE YEAR WARRANTY

Porter-Cable warrants its Professional Power Tools for a period of one year from the date of original purchase. We will repair or replace at our option, any part or parts of the product and accessories covered under this warranty which, after examination, proves to be defective in workmanship or material during the warranty period. For repair or replacement return the complete tool or accessory, transportation prepaid, to your nearest Porter-Cable Service Center or Authorized Service Station. Proof of purchase may be required. This warranty does not apply to repair or replacement required due to misuse, abuse, normal wear and tear or repairs attempted or made by other than our Service Centers or Authorized Service Stations.

ANY IMPLIED WARRANTY, INCLUDING THE IMPLIED WARRANTIES OF MERCHANTABILITY AND FITNESS FOR A PARTICULAR PURPOSE, WILL LAST ONLY FOR ONE (1) YEAR FROM THE DATE OF PURCHASE.

To obtain information on warranty performance please write to: PORTER-CABLE, 4825 Highway 45 North, Jackson, Tennessee 38305; Attention: Product Service. THE FOREGOING OBLIGATION IS PORTER-CABLE'S SOLE LIABILITY UNDER THIS OR ANY IMPLIED WARRANTY AND UNDER NO CIRCUMSTANCES SHALL PORTER-CABLE BE LIABLE FOR ANY INCIDENTAL OR CONSEQUENTIAL DAMAGES. Some states do not allow limitations on how long an implied warranty lasts or the exclusion or limitation of incidental or consequential damages, so the above limitation or exclusion may not apply to you.

This warranty gives you specific legal rights and you may also have other legal rights which vary from state to state.

Manual de Instrucciones

Recortadora de Lámina (Laminado)



MODELO
310

Para obtener más información
sobre Porter-Cable,
visite nuestro sitio web en:

<http://www.porter-cable.com>

PORTER-CABLE®

Copyright © 2005 Porter-Cable

IMPORTANTE

Asegúrese de que la persona que va a usar esta herramienta lea cuidadosamente y comprenda estas instrucciones antes de empezar a operarla.

La placa de Modelo y de Número de Serie está localizada en la caja principal de la herramienta. Anote estos números en las líneas de abajo y guárdelos para su referencia en el futuro.

Número de modelo _____

Tipo _____

Número de serie _____

Número de parte A13610 - 09-23-05 - Rev. A

INSTRUCCIONES DE SEGURIDAD IMPORTANTES

⚠ ADVERTENCIA Lea y entienda todas advertencias y las instrucciones operadoras antes de utilizar cualquier instrumento o el equipo. Cuando se usa instrumentos o equipo, las precauciones básicas de la seguridad siempre se deben seguir para reducir el riesgo de la herida personal. La operación impropia, la conservación o la modificación de instrumentos o equipo podrían tener como resultado el daño grave de la herida y la propiedad. Hay ciertas aplicaciones para que equipas con herramienta y el equipo se diseña. La Porter-Cable recomienda totalmente que este producto no sea modificado y/o utilizado para ninguna aplicación de otra manera que para que se diseñó.

Si usted tiene cualquiera pregunta el pariente a su aplicación no utiliza el producto hasta que usted haya escrito Porter-Cable y nosotros lo hemos aconsejado.

La forma en línea del contacto en www.porter-cable.com

El Correo Postal: Technical Service Manager
Porter-Cable
4825 Highway 45 North
Jackson, TN 38305

Información con respecto a la operación segura y apropiada de este instrumento está disponible de las fuentes siguientes:

Power Tool Institute

1300 Sumner Avenue, Cleveland, OH 44115-2851

www.powertoolinstitute.org

National Safety Council

1121 Spring Lake Drive, Itasca, IL 60143-3201

American National Standards Institute, 25 West 43rd Street, 4 floor, New York, NY 10036
www.ansi.org ANSI 01.1 Safety Requirements for Woodworking Machines, and the U.S. Department of Labor regulations www.osha.gov

PAUTAS DE SEGURIDAD/DEFINICIONES

Es importante para usted leer y entender este manual. La información que lo contiene relaciona a proteger SU SEGURIDAD y PREVENIR los PROBLEMAS. Los símbolos debajo de son utilizados para ayudarlo a reconocer esta información.



⚠ PELIGRO Indica una situación de inminente riesgo, la cual, si no es evitada, causará la muerte o lesiones serias.

⚠ ADVERTENCIA Indica una situación potencialmente riesgosa, que si no es evitada, podría resultar en la muerte o lesiones serias.

⚠ PRECAUCIÓN Indica una situación potencialmente peligrosa, la cual, si no es evitada, podría resultar en lesiones menores o moderadas.

⚠ PRECAUCIÓN Usado sin el símbolo de seguridad de alerta indica una situación potencialmente riesgosa la que, si no es evitada, podría causar daños en la propiedad.

LA PROPOSICION DE CALIFORNIA 65

⚠ ADVERTENCIA Algunos tipos de aserrín creados por máquinas eléctricas de lijado, aserrado, amolado, perforado u otras actividades de la construcción, contienen materiales químicos conocidos (en el Estado de California) como causantes de cáncer, defectos de nacimiento u otros daños del aparato reproductivo. Algunos ejemplos de dichos productos químicos son:

- El plomo contenido en algunas pinturas con base de plomo
- Sílice cristalizado proveniente de los ladrillos, el cemento y otros productos de albañilería
- Arsénico y cromo de madera tratada químicamente

Su riesgo por causa de estas exposiciones varía, dependiendo de con cuánta frecuencia realice este tipo de trabajo. Para reducir su exposición a estos agentes químicos: trabaje en un área bien ventilada y trabaje con equipo de seguridad aprobado, use siempre protección facial o respirador NIOSH/OSHA aprobados cuando deba utilizar dichas herramientas.

NORMAS GENERALES DE SEGURIDAD

⚠ ADVERTENCIA

Lea todas las instrucciones. Si no se siguen todas las instrucciones que aparecen a continuación, el resultado podría ser sacudidas eléctricas, incendio y/o lesiones graves. La expresión "herramienta mecánica" en todas las advertencias que aparecen a continuación se refiere a su herramienta mecánica alimentada por la red eléctrica (herramienta alámbrica) o su herramienta mecánica alimentada por baterías (herramienta inalámbrica).



GUARDE ESTAS INSTRUCCIONES

1) Seguridad del área de trabajo

- a) **Mantenga el área de trabajo limpia y bien iluminada.** Las áreas desordenadas u oscuras invitan a que se produzcan accidentes.
- b) **No utilice herramientas mecánicas en atmósferas explosivas, como por ejemplo en presencia de líquidos, gases o polvos inflamables.** Las herramientas mecánicas generan chispas que pueden incendiar el polvo o los vapores.
- c) **Mantenga alejados a los niños y a las personas que estén presentes mientras esté utilizando una herramienta mecánica.** Las distracciones pueden hacerle perder el control de la herramienta.

2) Seguridad eléctrica

- a) **Los enchufes de las herramientas mecánicas deben coincidir con el tomacorriente. No modifique nunca el enchufe de ningún modo. No use enchufes adaptadores con herramientas mecánicas conectadas a tierra (puestas a tierra).** Los enchufes no modificados y los tomacorrientes coincidentes reducirán el riesgo de sacudidas eléctricas.
- b) **Evite el contacto del cuerpo con las superficies conectadas o puestas a tierra, tales como tuberías, radiadores, estufas y refrigeradores.** Hay un aumento del riesgo de sacudidas eléctricas si el cuerpo del operador se conecta o pone a tierra.
- c) **No exponga las herramientas mecánicas a la lluvia o a condiciones mojadas.** La entrada de agua en una herramienta mecánica aumentará el riesgo de que se produzcan sacudidas eléctricas.
- d) **No maltrate el cordón de energía. No use nunca el cordón para transportar la herramienta mecánica, tirar de ella o desenchufarla. Mantenga el cordón alejado del calor, el aceite, los bordes afilados o las piezas móviles.** Los cordones dañados o enganchados aumentan el riesgo de que se produzcan sacudidas eléctricas.
- e) **Cuando utilice una herramienta mecánica en el exterior, use un cordón de extensión adecuado para uso a la intemperie.** La utilización de un cordón adecuado para uso a la intemperie reduce el riesgo de que se produzcan sacudidas eléctricas.

3) Seguridad personal








- a) **Manténgase alerta, fíjese en lo que está haciendo y use el sentido común cuando esté utilizando una herramienta mecánica. No use una herramienta mecánica cuando esté cansado o bajo la influencia de drogas, alcohol o medicamentos.** Un momento de distracción mientras esté utilizando herramientas mecánicas podría causar lesiones corporales graves.
- b) **Use equipo de seguridad. Use siempre protección de los ojos.** El equipo de seguridad, como por ejemplo una máscara antipolvo, calzado de seguridad antideslizante, casco o protección de oídos, utilizado para las condiciones apropiadas, reducirá las lesiones corporales.
- c) **Evite el arranque accidental. Asegúrese de que el interruptor esté en la posición de apagado antes de enchufar la herramienta.** Si se transportan herramientas mecánicas con el dedo en el interruptor o se enchufan herramientas mecánicas que tengan el interruptor en la posición de encendido, se invita a que se produzcan accidentes.

NORMAS GENERALES DE SEGURIDAD (continuación)

- d) Quite todas las llaves de ajuste o de tuerca antes de encender la herramienta mecánica. Una llave de tuerca o de ajuste que se deje colocada en una pieza giratoria de la herramienta mecánica podría causar lesiones corporales.
 - e) **No intente alcanzar demasiado lejos. Mantenga un apoyo de los pies y un equilibrio apropiados en todo momento.** Esto permite controlar mejor la herramienta mecánica en situaciones inesperadas.
 - f) **Vístase adecuadamente. No use ropa holgada ni alhajas holgadas. Mantenga el pelo, la ropa y los guantes alejados de las piezas móviles.** La ropa holgada, las alhajas holgadas o el pelo largo pueden quedar atrapados en las piezas móviles.
 - g) **Si se proporcionan dispositivos para la conexión de instalaciones de extracción y recolección de polvo, asegúrese de que dichas instalaciones estén conectadas y se usen correctamente.** El uso de estos dispositivos puede reducir los peligros relacionados con el polvo.
- 4) Uso y cuidado de las herramientas mecánicas
- a) **No fuerce la herramienta mecánica. Use la herramienta mecánica correcta para la aplicación que desee realizar.** La herramienta mecánica correcta hará el trabajo mejor y con más seguridad a la capacidad nominal para la que fue diseñada.
 - b) **No use la herramienta mecánica si el interruptor no la enciende y apaga.** Toda herramienta mecánica que no se pueda controlar con el interruptor es peligrosa y debe ser reparada.
 - c) **Desconecte el enchufe de la fuente de energía antes de hacer cualquier ajuste, cambiar accesorios o almacenar herramientas mecánicas.** Dichas medidas preventivas de seguridad reducen el riesgo de arrancar accidentalmente la herramienta mecánica.
 - d) **Guarde las herramientas que no esté usando fuera del alcance de los niños y no deje que personas que no estén familiarizadas con la herramienta mecánica o con estas instrucciones utilicen la herramienta.** Las herramientas mecánicas son peligrosas en manos de usuarios que no hayan recibido capacitación.
 - e) **Mantenga las herramientas mecánicas. Compruebe si hay piezas móviles desalineadas o que se atorán, si hay piezas rotas y si existe cualquier otra situación que podría afectar el funcionamiento de la herramienta mecánica. Si la herramienta mecánica está dañada, haga que la reparen antes de usarla.** Muchos accidentes son causados por herramientas mecánicas mantenidas deficientemente.
 - f) **Mantenga las herramientas de corte afiladas y limpias.** Es menos probable que las herramientas de corte mantenidas apropiadamente, con bordes de corte afilados, se atoren, y dichas herramientas son más fáciles de controlar.
 - g) **Use la herramienta mecánica, los accesorios, las brocas de la herramienta, etc., de acuerdo con estas instrucciones y de la manera prevista para el tipo específico de herramienta mecánica, teniendo en cuenta las condiciones de trabajo y el trabajo que se vaya a realizar.** El uso de la herramienta mecánica para operaciones distintas a aquéllas para las que fue diseñada podría causar una situación peligrosa.
- 5) Servicio de ajustes y reparaciones
- a) **Haga que su herramienta mecánica reciba servicio de un técnico de reparaciones calificado, utilizando únicamente piezas de repuesto idénticas.** Esto asegurará que se mantenga la seguridad de la herramienta mecánica.

NORMAS DE SEGURIDAD ESPECÍFICAS

1. **Detenga la herramienta por las superficies aisladas para hacer una operación donde el cuchillo de la herramienta pueda tocar un alambre escondido o su propio cable.** El contacto con un alambre cargado «vivo» también cargará a las partes metálicas y le dará un choque al usuario.
2. **El uso sujeta u otra manera práctica asegurar y sostener el workpiece a una plataforma fija.** Teniendo el trabajo a mano o contra su cuerpo es inestable y puede llevar a la pérdida del control.
3. **Siempre asegúrese de que la tuerca de boquilla esté bien apretada para prevenir el resbalamiento de la broca. Nunca apriete la boquilla sin que haya una broca instalada. Nunca ajuste la profundidad del corte mientras el motor esté conectado a la fuente de electricidad.** Un error en este momento puede causar una herida personal o puede dañar la recortadora o el trabajo.
4. **Asegúrese de que el cable esté libre y que no se pueda enredar con algo durante el uso de la recortadora.** Una cuerda enredada podría tener como resultado la herida personal, o el daño para trabajar.
5. **Mantenga las manos libres del cortador cuando el motor esté en marcha.** Un momento de distracción mientras esté utilizando herramientas mecánicas podría causar lesiones corporales graves.
6. **Sujete (Agarre) la recortadora firmemente antes de poner el motor en marcha para evitar la tendencia de la misma de torcerse al comenzar el trabajo.** Se puede perder el control y causar una herida personal o dañar el trabajo.
7. **Mantenga el cortador libre de todo objeto ajeno mientras el motor esté en marcha. Al hacer un corte pasante, asegúrese de que haya suficiente espacio libre debajo de la pieza en elaboración para la broca del ráuter.** Esto permite controlar mejor la herramienta mecánica en situaciones inesperadas.
8. **Asegúrese de que el motor esté parado completamente antes de poner el ráuter a un lado entre usos.** Dichas medidas preventivas de seguridad reducen el riesgo de arrancar accidentalmente la herramienta mecánica.
9. **Nunca toque la broca inmediatamente después del uso.** Puede estar sumamente caliente.
10. **No use el motor de la recortadora sin que la Base de la Recortadora de Lámina esté instalada.** Se puede perder el control y causar una herida personal o dañar el trabajo.
11. **Lleve la protección de ojo y oído. Siempre utilice gafas de seguridad.** Los lentes diarios no son gafas de seguridad. El USO CERTIFICO el EQUIPO de la SEGURIDAD. El equipo de la protección del ojo debe conformarse con los estándares de ANSI Z87.1. El equipo de la vista debe conformarse con los estándares de ANSI S3.19.
12. **⚠ ADVERTENCIA** **El uso de esta herramienta puede generar y dispersar polvo u otras partículas suspendidas en el aire, incluyendo polvo de madera, polvo de sílice cristalina y polvo de asbesto.** Dirija las partículas de modo que se alejen de la cara y del cuerpo. Utilice siempre la herramienta en un área bien ventilada y proporcione un medio apropiado de remoción de polvo. Use un sistema de recolección de polvo en todos los lugares donde sea posible. La exposición al polvo puede causar lesiones respiratorias graves y permanentes u otras lesiones graves y permanentes, incluyendo silicosis (una enfermedad pulmonar grave), cáncer y muerte. Evite aspirar el polvo y evite el contacto prolongado con el polvo. Si se permite que el polvo entre en la boca o en los ojos, o que se deposite en la piel, se puede promover la absorción de material nocivo. Use siempre protección respiratoria aprobada por NIOSH/OSHA que se ajuste apropiadamente y sea adecuada para la exposición al polvo, y lávese las áreas expuestas con agua y jabón.

SÍMBOLO	DEFINICIÓN
V	voltio
A	amperios
Hz	hertzio
W	vatio (watts)
kW	kilovatio (kilowatts)
F	faradios
μ F	microfaradios
l	litros
g	grama
kg	kilograma
bar	bars
Pa	Pascal
h	horas
min	minutos
s	segundos
n_0	velocidad sin carga
.../min or ...min ⁻¹	revoluciones o carreras por minuto
 or d.c.	corriente continua (directa)
 or a.c.	corriente alterna
2	dos-fase corriente alterna
2N	dos-fase corriente alterna con neutral
3 	tres-fase corriente alterna
3N	tres-fase corriente alterna con neutral
 A	la corriente valorada de la fusible-conexión apropiada en amperios
	el retraso la fusible-conexión miniatura donde X es el símbolo para el tiempo/actual típico, como se rindió IEC 60127
	tierra protectora
	instrumento clase II
IPXX	IP símbolo

GUARDE ESTAS INSTRUCCIONES!

MOTOR

Muchas herramientas de Porter-Cable funcionarán con corriente continua o monofásica de 25 a 60 Hz corriente alterna y con un voltaje entre más o menos el 5 por ciento de lo indicado en la placa de especificaciones de la herramienta. Varios modelos son diseñados solamente para usar con corriente alterna. Refiérase a la placa de especificaciones de su herramienta para informarse del voltaje correcto y de la capacidad normal de la corriente.

⚠ PRECAUCIÓN No use su herramienta con una corriente en la cual el voltaje no esté entre los límites correctos. No use herramientas de un régimen de corriente alterna con corriente continua. El hacerlo puede dañar seriamente su herramienta.

SELECCIÓN DE CABLES DE SERVICIO

Si se usa un cable de servicio, verifique que el tamaño del conductor sea bastante grande para prevenir una disminución excesiva de voltaje que cause una pérdida de potencia y posiblemente dañe el motor. Una guía de tamaños de cables de servicio recomendados se encuentra en esta sección. Esta guía se basa en la limitación de pérdida de voltaje a 5 voltios (10 voltios en el caso de 230 voltios) a 150% de la capacidad normal de amperios.

Si un cable de servicio se usará afuera, tendrá que ser marcado con el sufijo W-A u W siguiendo la designación del tipo de cable. Por ejemplo – SJTW-A que indica que es aceptable para uso afuera (al aire libre).

TAMAÑOS DE CABLES DE SERVICIO RECOMENDADOS PARA USO CON HERRAMIENTAS ELÉCTRICAS PORTÁTILES										
Longitud del cordón en pies										
	115V	25 Pies	50 Pies	100 Pies	150 Pies	200 Pies	250 Pies	300 Pies	400 Pies	500 Pies
	230V	50 Pies	100 Pies	200 Pies	300 Pies	400 Pies	500 Pies	600 Pies	800 Pies	1000 Pies
Amperaje nominal indicado en la placa de especificaciones	0-2	18	18	18	16	16	14	14	12	12
	2-3	18	18	16	14	14	12	12	10	10
	3-4	18	18	16	14	12	12	10	10	8
	4-5	18	18	14	12	12	10	10	8	8
	5-6	18	16	14	12	10	10	8	8	6
	6-8	18	16	12	10	10	8	6	6	6
	8-10	18	14	12	10	8	8	6	6	4
	10-12	16	14	10	8	8	6	6	4	4
	12-14	16	12	10	8	6	6	6	4	2
	14-16	16	12	10	8	6	6	4	4	2
	16-18	14	12	8	8	6	4	4	2	2
	18-20	14	12	8	6	6	4	4	2	2

GUARDE ESTAS INSTRUCCIONES!

CONTENIDO DE CARTON

1. Recortadora
2. La base de recortadora
3. Llaves inglesas abre-finales

DESCRIPCIÓN FUNCIONAL

PREFACIO

La Recortadora de Lámina (Laminado) de Porter-Cable fue diseñada para recortes de plásticos laminados, materiales fenólicos y otros materiales similares que contienen un agente adhesivo demasiado duro para recortar con herramientas ordinarias.

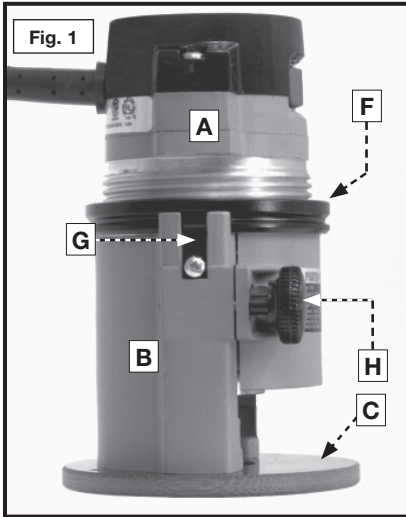
ASAMBLEA

NOTA: Este instrumento se envía es reunido completamente. Ningún tiempo de la asamblea ni instrumentos se requieren.

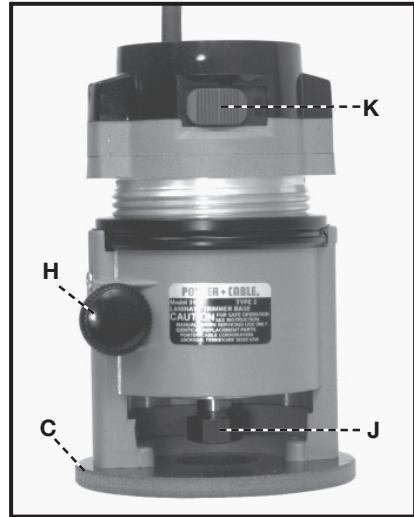
OPERACIÓN

PARA ESCOGER LA BROCA

El Modelo 310 tiene una boquilla de un diámetro de $\frac{1}{4}$ " la cual acepta las brocas de recorte de lámina (laminado) con espigas de un diámetro de $\frac{1}{4}$ ".



- A - Grupo de Motor
- B - Grupo de Base
- C - Subbase
- F - Anillo de Ajuste de Profundidad



- G - Resorte de Anillo
- H - Perilla Abrazadera
- J - Tuerca de Boquilla
- K - Interruptor

PARA INSTALAR LA BROCA

1. **⚠ ADVERTENCIA ASEGÚRESE DE QUE LA MÁQUINA ESTÉ DESCONECTADA DE LA FUENTE DE ELECTRICIDAD.**
2. Siga lo siguiente para quitar el grupo de motor de la base:
 - a. Afloje la perilla abrazadera (H) Fig. 1.
 - b. Agarre el grupo de motor (A) Fig. 1, y tirelo (jálelo) hacia arriba para quitarlo del grupo de base (B) Fig. 1. Esto también soltará el anillo de ajuste de profundidad (F) Fig. 1, de los resortes de anillo (G) Fig. 1.
3. Ponga el grupo de motor en un banco con la boquilla hacia usted.
4. Limpie e introduzca completamente la espiga de la broca en la boquilla. Entonces retráigala aproximadamente $\frac{1}{16}$ " (1.6 mm).
5. Coloque una llave en los planos del eje e inmediatamente arriba de la tuerca de boquilla (J) Fig. 1. Deje que el otro extremo de la llave se apoye hacia su DERECHA contra el banco.
6. Coloque la otra llave en la tuerca de boquilla (J) Fig. 1, y dele vuelta en el sentido de las manecillas del reloj para apretarla. APRIÉTELA BIEN.

PARA REMOVER LA BROCA

▲ ADVERTENCIA NUNCA TOQUE LA BROCA INMEDIATAMENTE DESPUÉS DEL USO; puede estar sumamente caliente.

1. Repita los pasos desde el número 1 hasta el número 3 de PARA INSTALAR LA BROCA.
2. Coloque una llave en los planos del eje e inmediatamente arriba de la tuerca de boquilla. Deje que el otro extremo de la llave se apoye hacia su IZQUIERDA contra el banco.
3. Coloque la otra llave en la tuerca de boquilla y dele vuelta en el sentido contrario a las manecillas del reloj sólo lo suficiente para permitir que la broca salga. NUNCA APRIETE LA BOQUILLA SIN HABER INSTALADO UNA BROCA. El hacerlo puede deformar la boquilla y dañar su capacidad de sujetar bien la broca.

PARA AJUSTAR LA EXTENSIÓN DE LA BROCA

1. **▲ ADVERTENCIA** ASEGÚRESE DE QUE LA MÁQUINA ESTÉ DESCONECTADA DE LA FUENTE DE ELECTRICIDAD.
2. Con el grupo de motor removido del grupo de la base, dé vuelta al anillo de ajuste de profundidad hasta que queden unas seis roscas (cuerdas) entre el anillo y la pieza superior del grupo de motor.
3. Meta el grupo de motor en el grupo de base alineando una de las ranuras de la caja principal del motor con la clavija que sobresale por el interior de la base hasta que los resortes de anillo enganchen la ranura del anillo de ajuste de profundidad.
4. Mirando el motor desde arriba, dé vuelta al anillo de ajuste de profundidad en el sentido de las manecillas del reloj para disminuir la profundidad del corte, o en el sentido contrario para aumentarla hasta que obtenga la profundidad deseada.

NOTA: Para su conveniencia de hacer ajustes pequeños, hay un índice en la base al lado del resorte de anillo, y en el anillo de ajuste de profundidad hay ocho líneas marcadas. Al alinear éstas con el índice, cada una representa un cambio en la profundidad del corte de 1/64" (0.4 mm). Una vuelta completa del anillo representa un cambio en la profundidad del corte de 1/8" (3 mm).

5. SÓLO CON LA PRESIÓN DEL DEDO, APRIETE LA PERILLA ABRAZADERA.
6. Haga un corte de prueba en una pieza desecha de material (vea PARA USAR LA RECORTADORA DE LÁMINA).

PARA USAR LA RECORTADORA DE LÁMINA

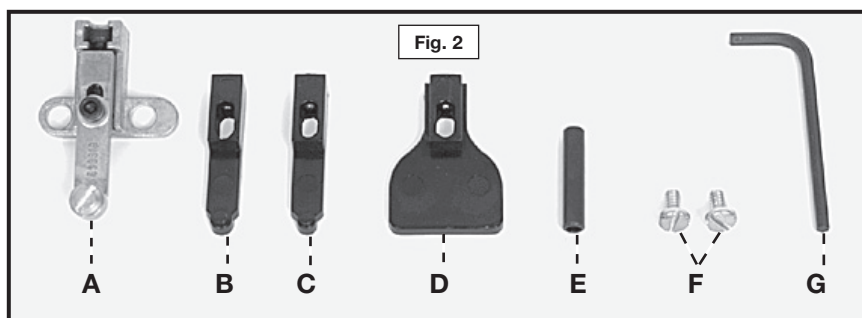
1. El material para recortar tiene que sobrepasar el material de la base a lo menos 1/8" (3 mm).
2. **▲ ADVERTENCIA** Siempre póngase anteojos Z87.1 de seguridad cuando opere una recortadora de lámina.
3. **▲ ADVERTENCIA** Asegúrese de que la recortadora esté desconectada de la fuente de electricidad.
4. Agarre bien la caja principal del motor. Asegúrese de que el interruptor esté en la posición apagada "OFF".
5. Verifique que la broca no esté tocando objetos ajenos y que el cable no vaya a enredarse con ninguna cosa.
6. Sujete bien la pieza en elaboración. Cuando sea necesario, use grapas para sujetarla.
7. Enchufe la clavija eléctrica. Está listo para resistir la torsión inicial del motor. Ponga el motor en marcha.
8. Permita que el motor llegue a su velocidad máxima. Coloque la base de la recortadora sobre la superficie para recortar. Métala hasta que el piloto de la broca haga contacto con el material de la base. Si la superficie ya ha sido laminada, siempre encere o lubrique la porción por la cual la recortadora va a guiarse.

9. Avance de la izquierda a la derecha con un movimiento uniforme y constante.
10. Al terminar la operación, apague el motor con el interruptor. Deje que el motor se pare completamente antes de poner la recortadora al lado.

JUEGO DE GUÍA LATERAL No. 73100

El Juego de Guía Lateral, Modelo 73100, está disponible (como accesorio) para usar con la Recortadora Modelo 310. El 73100 son diseñados para el uso con pedacitos no dirigidos, en aplicaciones curvas. Los pedacitos no dirigidos pueden producir un 90° el corte recto, un 10° el corte de bisel, o un 22° el corte de bisel. El juego contiene las piezas ilustradas en la Fig. 2. Para instalar la guía No. 73100 siga lo siguiente:

- A** – Base y guía de rodillo - para el uso con pedacitos no dirigidos
- B** – Guía lateral – para hacer recortes parejos
- C** – Guía lateral – para hacer recortes en bisel
- D** – Guía lateral recta – para hacer recortes rectos
- E** – Calibre para la guía
- F** – Tornillos de montaje
- G** – Llave

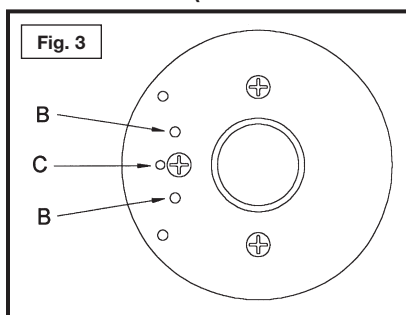


PARA MONTAR Y AJUSTAR LA BASE Y EL RODILLO (73100)

⚠ ADVERTENCIA Desconecte la recortadora de la fuente de electricidad.

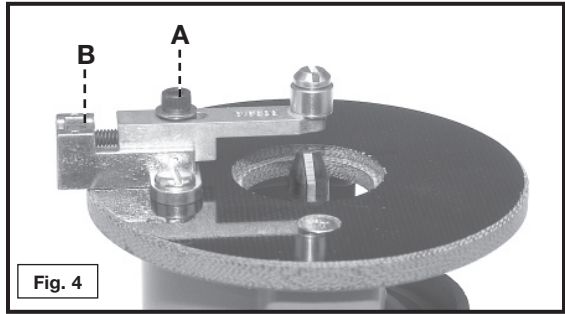
1. Quite el grupo de motor del grupo de base (vea PARA INSTALAR LA BROCA), e instale la broca.
2. Metiendo la clavija del lado trasero de la base de la guía en el agujero (C) Fig. 3, coloque el montaje de la base y del rodillo (A) Fig. 2, en la base.
3. Meta los dos tornillos de montaje (F) Fig. 2, por la base de la guía y enrósquelos en los agujeros de la subbase (B) Fig. 3. Apriételes bien.
4. Monte el motor en la base y ajuste la extensión de la broca (**vea PARA AJUSTAR LA EXTENSIÓN DE LA BASE**).

NOTA: Para los CORTES PAREJOS, ajuste la extensión de la broca de tal manera que el cuchillo recto de la broca corte la pieza en elaboración. Para los CORTES EN BISEL, ajuste la extensión de la broca de tal manera que el cuchillo angular de la broca corte el trabajo./



5. Afloje el tornillo sujetador (A) Fig. 4, y dé vuelta al tornillo ajustador (B) Fig. 4, (con la llave hexagonal provista) para alinear la guía de rodillo con la broca.

NOTA: Para los CORTES PAREJOS alinee el rodillo con la parte recta de la broca. Para los CORTES EN BISEL, ajuste el rodillo para que salga la porción deseada de la broca de bisel.



6. Apriete el tornillo sujetador y haga un corte de prueba en una pieza desecha de material para revisar los ajustes. Haga ajustes adicionales si es necesario.

RECORTES PAREJOS

⚠ ADVERTENCIA Desconecte la recortadora de la fuente de electricidad.

1. Monte la base y la guía en la recortadora como está indicado bajo PARA MONTAR Y AJUSTAR LA BASE Y EL RODILLO.
2. Quite la guía de rodillo y reemplácela con la guía lateral para recortes parejos para, (B) Fig. 2. Esta guía tiene una "F" grabada en el lado superior. La clavija en el extremo de la guía tiene que dar cara a la base de la recortadora.
3. Instale el calibre para la guía (E) Fig. 2, en la boquilla de la recortadora (vea PARA INSTALAR LA BROCA). Monte el motor en la base. Ajuste la guía de una manera que permita que el agujero del calibre cubra la clavija de la guía.
4. Saque el calibre para la guía de la recortadora e instale la broca.
5. Ajuste la profundidad del corte para permitir que la porción recta de la broca se extienda al través de la base de la recortadora a lo menos la misma distancia que lo grueso del material que va a recortar.
6. Haga un corte de prueba en una pieza de desperdicio. Reajuste la guía si es necesario.

RECORTES EN BISEL

1. Siga los números de 1 a 5 bajo RECORTES PAREJOS con una sola excepción: instale la guía lateral para recortes en bisel (C) Fig. 2. Esta guía tiene una "B" grabada en el lado superior.
2. Ajuste la profundidad del corte para permitir que la porción de bisel de la broca se extienda al través de la base de la recortadora a lo menos la misma distancia que lo grueso del material que va a recortar.
3. Haga un corte de prueba en una pieza de desperdicio. Reajuste la guía si es necesario.

PARA USAR LA GUÍA LATERAL RECTA

La Guía Lateral Recta (D) Fig. 2, puede usarse para recortar cantos derechos. Monte la guía en la base de guía y ajústela como las otras guías similares.

LOCALIZACION DE FALLAS

Para la ayuda con su instrumento, visite nuestro sitio web en www.porter-cable.com para una lista de centros de reparaciones o llame la línea de ayuda de Porter-Cable en 1-888-848-5175.

MANTENIMIENTO

MANTENGA LAS HERRAMIENTAS LIMPIAS

Periódicamente sople todos los conductos de ventilación con aire seco a presión. Todas las partes de plástico deben ser limpiadas con una tela suave y húmeda. NUNCA use solventes para limpiar las partes de plástico. Es posible que puedan disolver o de otra manera dañar el material.

▲ ADVERTENCIA Use ANSI Z87.1 anteojos de seguridad cuando use aire a presión.

FALLA DE PONERSE EN MARCHA

Si su herramienta falla de ponerse en marcha, revísela para asegurarse de que los contactos de la clavija estén en buen contacto con el tomacorriente. También, vea si hay fusibles fundidos o ruptores abiertos en el circuito.

LUBRICACIÓN

Esta herramienta ha sido lubricada con suficiente lubricante de alta calidad para la vida de la máquina bajo condiciones de uso normal. La lubricación adicional no es necesaria.

INSPECCIÓN DE ESCOBILLAS (Carbones Si aplicable)

Para su seguridad continua y protección contra el choque eléctrico, la inspección de escobillas y cualquier reemplazo en esta herramienta deben hacerse SOLAMENTE en una ESTACIÓN DE SERVICIO AUTORIZADO POR PORTER-CABLE o en un CENTRO DE FÁBRICA SERVICIO DE PORTER-CABLE•DELTA.

Después de aproximadamente 100 horas de uso, lleve o mande su herramienta a la Estación de Servicio Autorizado por Porter-Cable más cercana para limpiarla a fondo y revisarla; para reemplazar partes gastadas, cuando sea necesario; para relubricarla de nuevo, si es requerido; para reensamblarla con escobillas nuevas; y para revisar su rendimiento.

Cualquier pérdida de potencia antes de la inspección de arriba puede indicar que su herramienta necesite servicio inmediato. NO CONTINÚE EL USO DE LA HERRAMIENTA BAJO ESTA CONDICIÓN. Si el voltaje de la fuente de electricidad está correcto, devuelva su herramienta a la Estación de Servicio para obtener servicio inmediato.

SERVICIO

PIEZAS DE REPUESTO

Utilice sólo piezas de repuesto idénticas. Para obtener una lista de piezas o para solicitar piezas, visite nuestro sitio web en servicenet.porter-cable.com. También puede solicitar piezas en nuestro centro más cercano, o llamando a nuestro Centro de atención al cliente al 1-888-848-5175 para obtener asistencia personalizada a través de nuestros técnicos capacitados.

MANTENIMIENTO Y REPARACIONES

Con el paso del tiempo, todas las herramientas de calidad requieren mantenimiento o reemplazo de las piezas. Para obtener información acerca de Porter-Cable, sus sucursales propias o un Centro de mantenimiento con garantía autorizado, visite nuestro sitio web en www.porter-cable.com o llame a nuestro Centro de atención al cliente al 1-888-848-5175. Todas las reparaciones realizadas por nuestros centros de mantenimiento están completamente garantizadas en relación con los defectos en materiales y la mano de obra. No podemos otorgar garantías para las reparaciones ni los intentos de reparación de otras personas.

También puede escribirnos solicitando información a PORTER-CABLE, 4825 Highway 45 North, Jackson, Tennessee 38305 - Mantenimiento de productos. Asegúrese de incluir toda la información mencionada en la placa de la herramienta (número de modelo, tipo, número de serie, etc.).

ACCESORIOS

Una línea completa de accesorios está disponible de su surtidor de Porter-Cable •Delta, centros de servicio de la fábrica de Porter-Cable•Delta, y estaciones autorizadas Porter-Cable. Visite por favor nuestro Web site www.porter-cable.com para un catálogo o para el nombre de su surtidor más cercano.

⚠ ADVERTENCIA Puesto que los accesorios con excepción de éstos ofrecidos por Porter-Cable•Delta no se han probado con este producto, el uso de tales accesorios podría ser peligroso. Para la operación más segura, solamente el Porter-Cable•Delta recomendó los accesorios se debe utilizar con este producto.

GARANTÍA

Para registrar la herramienta para obtener el mantenimiento cubierto por la garantía, visite nuestro sitio web en www.porter-cable.com.

PÓLIZA DE GARANTÍA LIMITADA DE 1 AÑO DE PORTER-CABLE

La Compañía de Porter-Cable garantiza sus herramientas mecánicas profesionales por un período de 1 año a partir de la fecha de compra. Porter-Cable reparará o reemplazará – según nuestra opción – cualquier parte o partes de la herramienta o de los accesorios protegidos bajo esta garantía que, después de examinarlas, demuestren cualquier defecto en los materiales o mano de obra durante el período de la garantía. Para reparación o reemplazo, devuelva la herramienta o accesorio completo, cubriendo el precio de transporte, al Centro de Servicio de Porter-Cable o a la Estación de Servicio Autorizado más cercana. Puede ser que requiera prueba de compra. Esta garantía no incluye la reparación o reemplazo en caso de mal uso, abuso o desgaste normal de la herramienta así como reparaciones efectuadas o atentadas por otros medios que no sean de los Centros de Servicio de Porter-Cable o las Estaciones de Servicio Autorizado por Porter-Cable.

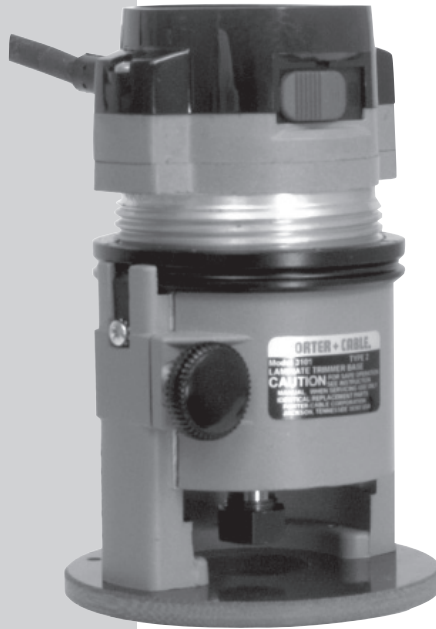
CUALQUIER GARANTÍA IMPLÍCITA, INCLUSO LAS GARANTÍAS DE COMERCIALIZACIÓN Y APTITUD PARA PROPÓSITOS ESPECIALES O PARTICULARES, DURARÁN POR SÓLO UN (1) AÑO A PARTIR DE LA FECHA DE COMPRA.

Para obtener información de la garantía de desempeño haga el favor de escribir a PORTER-CABLE, 4825 Highway 45 North, Jackson, Tennessee 38305; Attention: Product Service. LA OBLIGACIÓN ANTERIORMENTE MENCIONADA ES LA ÚNICA RESPONSABILIDAD DE PORTER-CABLE BAJO ESTA O CUALQUIER GARANTÍA IMPLICADA. PORTER-CABLE DE NINGUNA MANERA SERÁ RESPONSABLE POR NINGÚN DAÑO INCIDENTAL O CONSECUENTE. Algunos estados no permiten limitaciones de tiempo de garantías implicadas ni la exclusión o la limitación de daños incidentales o consecuentes, así que puede que la limitación o la exclusión no le aplique a usted.

Esta garantía le da a usted unos derechos legales específicos. Puede ser que usted tenga también otros derechos legales los cuales varían de un estado a otro.

Manuel d'utilisation

Affleureuse à stratifiés



MODÈLE
310

IMPORTANT

Veillez vous assurer que la personne qui utilise cet outil lit attentivement et comprend ces instructions avant de commencer à utiliser l'outil.

La plaque des numéros de modèle et de série est située sur le boîtier principal de l'outil. Prenez note de ces numéros dans les espaces ci-après et conservez-les pour référence future.

No. de modèle _____

Type _____

No. de série _____

PORTER-CABLE®

INSTRUCTIONS DE SÛRETÉ IMPORTANTES

▲ AVERTISSEMENT Lire et comprendre toutes instructions d'avertissements et opération avant d'utiliser n'importe quel outil ou n'importe quel équipement. En utilisant les outils ou l'équipement, les précautions de sûreté fondamentales toujours devraient être suivies pour réduire le risque de blessure personnelle. L'opération déplacée, l'entretien ou la modification d'outils ou d'équipement ont pour résultat la blessure sérieux et les dommages de propriété. Il y a de certaines applications pour lequel outils et l'équipement sont conçus. La Porter-Cable recommande avec force que ce produit n'ait pas modifié et/ou utilisé pour l'application autrement que pour lequel il a été conçu.

Si vous avez n'importe quelles questions relatives à son application n'utilisent pas le produit jusqu'à ce que vous avez écrit Porter-Cable et nous vous avons conseillé.

La forme en ligne de contact à www.porter-cable.com

Courrier Postal: Technical Service Manager
Porter-Cable
4825 Highway 45 North
Jackson, TN 38305

Information en ce qui concerne l'opération sûre et correcte de cet outil est disponible des sources suivantes:

Power Tool Institute
1300 Sumner Avenue, Cleveland, OH 44115-2851

www.powertoolinstitute.org

National Safety Council
1121 Spring Lake Drive, Itasca, IL 60143-3201

American National Standards Institute, 25 West 43rd Street, 4 floor, New York, NY 10036
www.ansi.org ANSI 01.1 Safety Requirements for Woodworking Machines, and the U.S. Department of Labor regulations www.osha.gov

MESURES DE SÛRETÉ - DÉFINITIONS

C'est important pour vous lire et comprendre ce manuel. L'information qu'il contient relate à protéger VOTRE SÛRETÉ et EMPECHER PROBLEMES. Les symboles au dessous de sont utilisé pour aider vous reconnaître cette information.



▲ DANGER Indique un danger imminent qui, s'il n'est pas évité, causera de graves blessures ou la mort.

▲ AVERTISSEMENT Indique la possibilité d'un danger qui, s'il n'est pas évité, pourrait causer de graves blessures ou la mort.

▲ MISE EN GARDE Indique la possibilité d'un danger qui, s'il n'est pas évité, peut causer des dommages à la propriété.

MISE EN GARDE Sans le symbole d'alerte. Indique la possibilité d'un danger qui, s'il n'est pas évité, peut causer des dommages; mineures ou moyennes.

LA PROPOSITION DE CALIFORNIE 65

▲ AVERTISSEMENT La poussière produite par le ponçage électrique le sciage, le meulage, le perçage et autres activités de construction peut contenir des produits chimiques qui sont reconnus, par l'état de la Californie, de causer le cancer, les anomalies congénitales ou autres maux de reproduction. Ces produits chimiques comprennent, entre autres :

- le plomb provenant des peintures à base de plomb;
- la silice cristalline provenant de briques, de béton ou d'autres produits de maçonnerie
- l'arsenic et le chrome provenant du bois de charpente traité chimiquement

Le risque d'exposition à ces produits dépend de la fréquence d'exécution de ce genre de travaux. Afin de réduire l'exposition à ces produits chimiques, travaillez dans un endroit bien aéré et utilisez de l'équipement de sécurité approuvé, portez toujours un masque facial ou respirateur homologué NIOSH/OSHA bien ajusté lorsque vous utilisez de tels outils.

CONSERVEZ CES INSTRUCTIONS!

RÈGLES GÉNÉRALES SUR LA SÉCURITÉ

⚠ AVERTISSEMENT Veuillez lire toutes les instructions. Le fait de ne pas respecter toutes les instructions indiquées ci-dessous pourrait entraîner des chocs électriques, des incendies et/ou des blessures graves. Le terme " outil électrique " qui apparaît dans tous les avertissements ci-dessous fait référence aussi bien à un outil électrique branché sur secteur par un cordon d'alimentation qu'à un outil électrique sans cordon alimenté par pile.

CONSERVEZ CES INSTRUCTIONS

- 1) **La sécurité de votre espace de travail**
 - a) **Veillez à ce que votre espace de travail reste propre et bien éclairé.** Les espaces de travail encombrés ou mal éclairés sont des invites aux accidents.
 - b) **Ne faites pas fonctionner vos outils électriques dans des atmosphères explosives, par exemple en présence de liquides, de gaz ou de poussières inflammables.** Les outils électriques créent des étincelles qui peuvent mettre le feu à ces poussières ou à ces vapeurs.
 - c) **Gardez les enfants et les observateurs à distance pendant que vous faites fonctionner un outil électrique.** Les distractions peuvent vous faire perdre le contrôle de votre outil.
- 2) **La sécurité électrique**
 - a) **La fiche de l'outil électrique doit être compatible avec la prise de courant. Ne modifiez jamais la fiche de quelque façon que ce soit. N'utilisez jamais d'adaptateurs de fiches avec des outils électriques mis à la terre.** Le risque de choc électrique sera réduit par l'utilisation de fiches non modifiées et de prises de courant compatibles.
 - b) **Évitez tout contact corporel avec des surfaces mises à la terre ou à la masse, telles que des conduits, des radiateurs, des cuisinières ou des réfrigérateurs.** Il existe un risque de choc électrique accru quand votre corps est relié à la terre.
 - c) **N'exposez pas des outils électriques à la pluie ou à des environnements humides.** L'infiltration d'eau dans un appareil électrique augmentera le risque de choc électrique.
 - d) **Ne maltraitez pas le cordon, et ne vous en servez jamais pour soulever l'outil électrique ou le traîner ; ne tirez pas non plus sur le cordon afin de le débrancher. Gardez le cordon à distance de la chaleur, de l'huile, de bords tranchants ou de pièces mobiles.** Les cordons endommagés ou emmêlés augmentent le risque de choc électrique.
 - e) **Lorsque vous faites fonctionner un outil électrique en plein air, utilisez une rallonge classifiée pour un usage en plein air.** En utilisant une rallonge de classification plein air, vous réduisez le risque de choc électrique.
- 3) **La sécurité des personnes**
 - a) **Restez vigilant, agissez avec prudence et faites preuve de bon sens lorsque vous utilisez un outil électrique. N'utilisez pas un tel outil quand vous êtes fatigué ou sous l'emprise de l'alcool, de drogues ou de médicaments.** Un moment d'inattention pendant l'utilisation d'un outil électrique peut entraîner des blessures graves.
 - b) **Utilisez des équipements de protection. Portez toujours des lunettes de sécurité.** Les équipements de protection tels que les masques antipoussières, les chaussures de sécurité antidérapantes, les casques de chantier ou les dispositifs de protection de l'ouïe utilisés de manière appropriée réduiront les risques de blessures personnelles.
 - c) **Évitez la mise en marche accidentelle de l'outil.** Veillez à ce que l'interrupteur soit dans la position de fermeture avant de brancher l'outil. C'est une invite aux accidents de porter un outil électrique avec le doigt sur l'interrupteur ou de brancher un outil électrique dont l'interrupteur est dans la position de marche.

- d) Retirez toute clé de réglage avant de mettre l'outil sous tension. Une clé de réglage laissée attachée à une pièce tournante de l'outil électrique pourrait causer des blessures aux personnes.
- e) **Ne tendez pas le bras trop loin.** Gardez une position ferme et un bon équilibre à tout moment. Cela vous permettra de mieux contrôler votre outil électrique dans des situations imprévues.
- f) **Habillez-vous de façon appropriée.** Ne portez pas de vêtements lâches ou de bijoux pendants. Gardez vos cheveux, vos vêtements et vos gants à distance des pièces mobiles de l'outil. Ces pièces mobiles peuvent happer les vêtements lâches, les cheveux longs dénoués ou les bijoux pendants.
- g) **Si des dispositifs sont fournis pour le raccordement d'appareils d'extraction et de collecte de la poussière, veillez à ce que ces derniers soient connectés et correctement utilisés.** L'utilisation de ces dispositifs peut réduire les dangers causés par la poussière.

4) Utilisation et maintenance des outils électriques

- a) **Ne forcez pas l'outil électrique ; utilisez l'outil électrique qui convient à votre opération.** L'outil électrique approprié fera mieux son travail en toute sécurité s'il est utilisé au régime pour lequel il a été conçu.
- b) **N'utilisez pas l'outil électrique si l'interrupteur ne peut pas le mettre en marche ou l'arrêter.** Tout outil électrique ne pouvant pas être contrôlé à l'aide de son interrupteur est dangereux et doit être réparé.
- c) **Débranchez la fiche de la source d'alimentation avant de faire le moindre réglage, de changer les accessoires ou de ranger l'outil électrique.** De telles mesures préventives réduisent le risque d'une mise en marche accidentelle de l'outil électrique.
- d) **Rangez les outils électriques inutilisés hors de la portée des enfants et ne permettez pas à des personnes n'étant pas familiarisées avec les outils électriques ou avec les présentes instructions de faire fonctionner l'outil électrique.** Les outils électriques sont dangereux dans les mains d'utilisateurs sans expérience.
- e) **Entretenez les outils électriques. Vérifiez que les pièces mobiles ne sont ni mal alignées ni bloquées, qu'aucune pièce n'est brisée et qu'il n'existe aucune autre condition qui pourrait affecter le fonctionnement de l'outil électrique.** Si l'outil électrique est endommagé, faites-le réparer avant de l'utiliser. De nombreux accidents sont causés par des outils électriques mal entretenus.
- f) **Gardez vos outils de coupe propres et aiguisés.** Les outils de coupe bien entretenus et aiguisés risquent moins de se bloquer, et ils sont plus faciles à contrôler.
- g) **Utilisez l'outil électrique, les accessoires et les mèches conformément aux présentes instructions et de la façon voulue pour ce type particulier d'outil électrique, en tenant compte des conditions de travail et du travail à réaliser.** L'utilisation d'un outil électrique pour des opérations autres que celles pour lesquelles il a été conçu pourrait résulter en une situation dangereuse.

5) Réparations

- a) **Faites réparer votre outil électrique par un réparateur qualifié qui utilise exclusivement des pièces de rechange identiques.** Ceci assurera le maintien de la sécurité de l'outil électrique.

CONSIGNES DE SÉCURITÉ ET SPÉCIFIQUES

- 1. L'usage serre ou l'autre façon pratique pour obtenir et soutenir l'apic de fabrication à une plate-forme stable.** L'avoir du travail à la main ou contre votre corps est instable et peut mener à la perte de contrôle.
- 2. Assurez-vous toujours que l'écrou de douille est serré solidement pour empêcher la mèche de glisser durant l'usage. Ne serrez jamais l'écrou de douille sans la mèche insérée. Ne réglez jamais la profondeur de coupe pendant que le moteur est en marche.** Un glissement à ce stade pourrait causer des blessures ou des dommages au couteau ou à l'ouvrage.
- 3. Assurez-vous que le cordon est libre et ne s'accrochera pas durant les opérations d'affleurement.** Une corde enchevêtrée pourrait avoir pour résultat la blessure personnelle, ou les dommages pour travailler.
- 4. Gardez les mains à l'écart du couteau lorsque le moteur.** Un moment d'inattention pendant l'utilisation d'un outil électrique peut entraîner des blessures graves.
- 5. Tenez toujours l'affleureuse fermement et contre l'ouvrage durant l'opération d'affleurement.** Il pourrait s'ensuire une perte de contrôle, causant ainsi des blessures ou des dommages à l'ouvrage.
- 6. Gardez le couteau à l'écart de tous les objets étrangers pendant que le moteur est en marche. En coupant à travers, assurez-vous qu'il y a un écartement sous l'ouvrage pour la mèche de la toupie.** Cela vous permettra de mieux contrôler votre outil électrique dans des situations imprévues.
- 7. Assurez-vous que le moteur est arrêté complètement avant de déposer l'outil entre les opérations.** De telles mesures préventives réduisent le risque d'une mise en marche accidentelle de l'outil électrique.
- 8. Ne touchez jamais les meches d'affleureuse apres usage.** Car elles peuvent être extrêmement chaudes.
- 9. N'utilisez pas le moteur de l'affleureuse à stratifiés sans que la base de l'affleureuse à stratifiés ne soit installée.** Il pourrait s'ensuire une perte de contrôle, causant ainsi des blessures ou des dommages à l'ouvrage.
- 10. Lleve la protección de ojo y oído. Siempre utilice gafas de seguridad.** Los lentes diarios no son gafas de seguridad. El USO CERTIFICO el EQUIPO de la SEGURIDAD. El equipo de la protección del ojo debe conformarse con los estándares de ANSI Z87.1. El equipo de la vista debe conformarse con los estándares de ANSI S3.19.
- 11. ⚠ AVERTISSEMENT** L'utilisation de cet outil peut produire et disperser de la poussière ou d'autres particules en suspension dans l'air, telles que la sciure de bois, la poussière de silicium cristallin et la poussière d'amiante. Dirigez les particules loin du visage et du corps. Faites toujours fonctionner l'outil dans un espace bien ventilé et prévoyez l'évacuation de la poussière. Utilisez un système de dépoussiérage chaque fois que possible. L'exposition à la poussière peut causer des problèmes de santé graves et permanents, respiratoires ou autres, tels que la silicose (une maladie pulmonaire grave) et le cancer, et même le décès de la personne affectée. Évitez de respirer de la poussière et de rester en contact prolongé avec celle-ci. En laissant la poussière pénétrer dans vos yeux ou votre bouche, ou en la laissant reposer sur votre peau, vous risquez de promouvoir l'absorption de substances toxiques. Portez toujours des dispositifs de protection respiratoire homologués par NIOSH/OSHA, appropriés à l'exposition à la poussière et de taille appropriée, et lavez à l'eau et au savon les surfaces de votre corps qui ont été exposées.

CONSERVEZ CES INSTRUCTIONS!

MOTEUR

Un grand nombre d'outil fabriqués par Porter-Cable peuvent fonctionner soit sur courant continu soit sur un courant alternatif monophasique de 25 à 60 cycles avec un courant et un voltage qui se maintiendrait entre plus ou moins 5 pour cent de la valeur indiquée sur la plaquette de spécifications placée sur l'outil. Un certain nombre de modèles cependant ne peuvent uniquement fonctionner que sur courant alternatif. Référez-vous à la plaquette de spécifications placée sur l'outil en question afin de déterminer le voltage et le courant assignés.

MISE EN GARDE Ne faites pas fonctionner votre outil sur un courant qui ne serait pas dans les paramètres indiqués. Ne faites pas fonctionner des outils nécessitant du courant alternatif sur du courant continu sinon vous risquez de sérieusement endommager votre outil.

SÉLECTION DU CORDON DE RALLONGE

S'il vous est nécessaire d'utilisez un cordon de rallonge, assurez vous que la taille du conducteur est assez élevé afin de prévenir un chute de tension excessive qui pourrait occasionner une perte de puissance ainsi que des dégâts au moteur. Vous trouverez un tableau indiquant les tailles appropriées pour les cordons de rallonge à la fin de cette section. Ce tableau est basé sur un calcul limitant les chutes de tension à 5 volts (10 volts pour 230 volts) à 150% de l'ampérage assigné.

Si vous utilisez un cordon de rallonge à l'extérieur, il doit nécessairement être marqué avec le suffixe W-A ou W après le sigle désignant le type de cordon de rallonge. Ainsi le sigle SJTW-A indique que ce cordon peut être utilisé à l'extérieur.

TAILLES RECOMMANDÉES DES CORDONS DE RALLONGE POUR DES OUTILS ÉLECTRIQUES										
Longueur du cordon en pieds										
	115V	25 Pi.	50 Pi.	100 Pi.	150 Pi.	200 Pi.	250 Pi.	300 Pi.	400 Pi.	500 Pi.
	230V	50 Pi.	100 Pi.	200 Pi.	300 Pi.	400 Pi.	500 Pi.	600 Pi.	800 Pi.	1000 Pi.
Valeur nominale en ampères sur la plaque signalétique	0-2	18	18	18	16	16	14	14	12	12
	2-3	18	18	16	14	14	12	12	10	10
	3-4	18	18	16	14	12	12	10	10	8
	4-5	18	18	14	12	12	10	10	8	8
	5-6	18	16	14	12	10	10	8	8	6
	6-8	18	16	12	10	10	8	6	6	6
	8-10	18	14	12	10	8	8	6	6	4
	10-12	16	14	10	8	8	6	6	4	4
	12-14	16	12	10	8	6	6	6	4	2
	14-16	16	12	10	8	6	6	4	4	2
	16-18	14	12	8	8	6	4	4	2	2
18-20	14	12	8	6	6	4	4	2	2	

CONSERVEZ CES INSTRUCTIONS!

CONTENUS DE BOITE

1. Affleureuse
2. La base affleureuse
3. Las clés ouverts

DESCRIPTION FONCTIONNELLE

AVANT-PROPOS

L'affleureuse à stratifiés Porter-Cable modèle 310 est conçues en vue de l'affleurage à ras et en biseau des plastiques stratifiés, des matières phénoliques et autres matériaux similaires présentant un agent de liaison trop dur pour être affleuré à l'aide d'outils ordinaires.

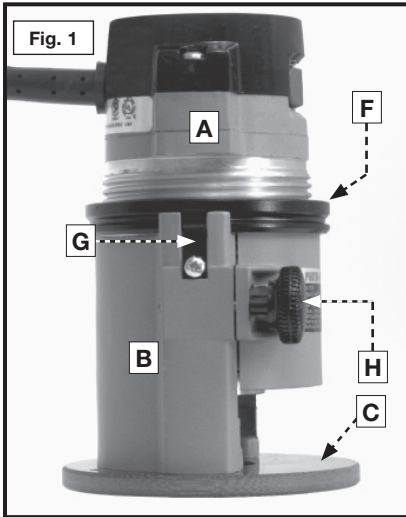
ASSEMBLÉE

REMARQUE : Cet outil est complètement expédié s'est assemblé. Aucun temps d'assemblage ou les outils sont exigés.

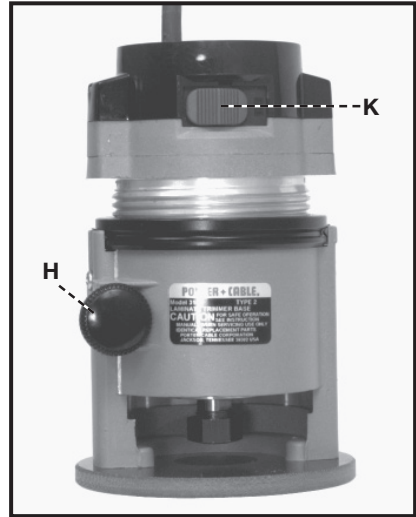
OPÉRATION

SÉLECTION DE LA MÈCHE

Le modèle 310 est pourvue d'une douille de $\frac{1}{4}$ po de diamètre afin de recevoir les mèches d'affleurement de stratifiés avec tiges de $\frac{1}{4}$ po de diamètre.



- A – Moteur
- B – Base
- C – Sous-base
- F – Anneau de réglage de profondeur



- G – Ressort de l'anneau
- H – Bouton de serrage
- J – Écrou de douille
- K – Interrupteur

▲ AVERTISSEMENT Assurez-vous que l'outil est débranché.

1. Retirez le bloc d'alimentation de la base comme suit :
 - a. Desserrez le bouton de serrage (H) Fig. 1.
 - b. Saisissez le bloc d'alimentation (A) Fig. 1, et tirez-le droit vers le haut et à l'extérieur de la base (B) Fig. 1. Ceci dégagera également l'anneau de réglage de profondeur (F) Fig. 1, des ressorts de l'anneau (G) Fig. 1.
2. Placez le bloc d'alimentation sur l'établi avec la douille dirigée vers vous.
3. Nettoyez et insérez la tige de la mèche dans la douille jusqu'à ce que l'extrémité de la tige cale. Tirez ensuite vers l'extérieur d'environ 1/16 po.
4. Nettoyez et insérez la tige de la mèche dans la douille jusqu'à ce que l'extrémité de la tige cale. Tirez ensuite vers l'extérieur d'environ 1/16 po.
5. Placez une clé sur les plats de l'arbre directement au-dessus de l'écrou de douille (J) Fig.-1. Laissez l'extrémité éloignée de la clé reposer sur l'établi à votre DROITE.
6. Placez l'autre clé sur l'écrou de douille (J) Fig. 1, et tournez en sens horaire pour serrer. **SERREZ SOLIDEMENT.**

DÉPOSE DE LA MÈCHE

▲ AVERTISSEMENT Ne touchez jamais la mèche immédiatement après usage, car elle risque d'être extrêmement chaude.

1. Répétez les étapes 1 à 3 sous POSE DE LA MÈCHE.
2. Placez une clé sur les plats de l'arbre directement au-dessus de l'écrou de douille. Laissez l'extrémité éloignée de la clé reposer sur l'établi à votre GAUCHE.
3. Placez l'autre clé sur l'écrou de douille, tournez en sens anti-horaire et desserrez tout juste assez pour permettre la dépose de la mèche. NE SERREZ JAMAIS L'ÉCROU DE DOUILLE SANS UNE MÈCHE DANS LA DOUILLE. Ceci peut permettre à la douille de se déformer et affaiblir sa capacité de serrage.

RÉGLAGE DE L'EXPOSITION DE LA MÈCHE

▲ AVERTISSEMENT Assurez-vous que l'outil est débranché.

2. Le bloc d'alimentation étant retiré de la base, tournez l'anneau de réglage de profondeur afin de positionner l'anneau à environ six filets depuis le dessus du bloc d'alimentation.
3. Insérez le bloc d'alimentation dans la base, en alignant l'une des rainures du carter du moteur sur la cheville faisant saillie depuis la paroi intérieure de la base, jusqu'à ce que les ressorts de l'anneau s'enclenchent dans la rainure de l'anneau de réglage de profondeur.
4. En regardant le bloc d'alimentation depuis le dessus, tournez l'anneau de réglage de profondeur en sens horaire afin de réduire la profondeur de coupe, ou en sens anti-horaire afin d'augmenter la profondeur de coupe jusqu'à obtention de la profondeur désirée.

REMARQUE : Pour faciliter les petits réglages, vous trouverez un marqueur sur la base à côté du ressort de l'anneau. En outre, le dessus de l'anneau de réglage de profondeur est gradué par huit lignes espacées également, chacune représentant $1/64$ po de changement de la profondeur de coupe lorsque l'anneau est tourné par rapport au marqueur. Un tour complet de l'anneau change de $1/8$ po la profondeur de coupe.

5. SERREZ LE BOUTON DE SERRAGE À LA MAIN.
6. Effectuez une coupe d'essai sur une pièce de rebut (voir

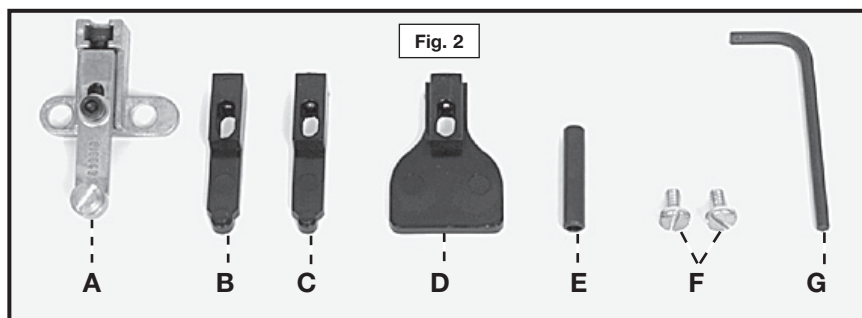
UTILISATION D'UNE AFFLEUREUSE À STRATIFIÉS

1. Le matériau à affleurer doit être en porte-à-faux sur le matériau de la base d'au moins $1/8$ -po.
2. **▲ AVERTISSEMENT** Portez toujours des lunettes Z87.1 de sécurité durant l'utilisation d'une affleureuse à stratifiés.
3. **▲ AVERTISSEMENT** Assurez-vous que l'affleureuse est débranchée.
4. Saisissez fermement le carter du moteur en vous assurant que l'interrupteur est à la position d'arrêt.
5. Vérifiez que la mèche est exempte de corps étrangers et que le cordon ne s'accrochera pas sur quelque obstruction que ce soit.
6. Assurez-vous que l'ouvrage est tenu fermement en place. Utilisez des serre-joints, au besoin, pour assujettir l'ouvrage.
7. Branchez le cordon d'alimentation. Veillez à résister au couple de démarrage du moteur. Mettez le moteur en marche.
8. Laissez le moteur atteindre sa pleine vitesse. Placez la base de l'affleureuse sur la surface à affleurer et avancez dans l'ouvrage jusqu'à ce que le pilote de la mèche vienne en contact avec le matériau de la base. En guidant sur une surface précédemment laminée, cirez ou lubrifiez toujours la partie qui servira de guide à l'affleureuse.
9. Avancez de gauche à droite avec un mouvement continu et régulier (voir Fig. 13).
10. Au terme de l'opération d'affleurage, mettez l'interrupteur à l'arrêt. Laissez le moteur s'arrêter complètement avant de déposer l'affleureuse.

NÉCESSAIRE DE GUIDE DE BORD 73100

Le nécessaire de guide de bord modèle 73100 est offert (en accessoire) pour utilisation avec l'affleuseuse modèle 310. Le 73100 sont conçus pour l'usage avec les morceaux non pilotés, sur les applications courbes. Les morceaux non pilotés peuvent produire un 90° la coupure droite, un 10° biseauter la coupure, ou un 22° biseauter la coupure. Le nécessaire contient les pièces montrées à la Fig. 2. Posez le guide 73100 comme suit :

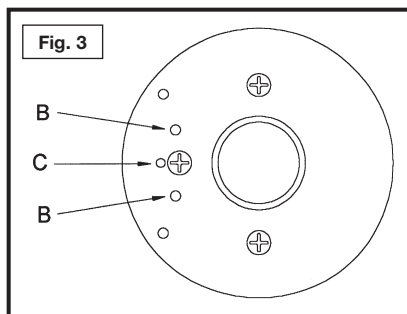
- A – Base et guide de rouleau - pour l'usage avec les morceaux de non piloté
- B – Guide de bord – pour l'affilage à ras
- C – Guide de bord – pour l'affilage en biseau
- D – Guide de bord droit – pour l'affilage droit
- E – Jauge de réglage de guide
- F – Vis de montage
- G – Clé



ASSEMBLAGE ET RÉGLAGE DE LA BASE ET DU ROULEAU

⚠ AVERTISSEMENT Assurez-vous wue l'outil est débranché.

1. Retirez le bloc d'alimentation de la base (voir POSE DE LA MÈCHE), et posez la mèche.
2. Positionnez l'ensemble de guide de rouleau et de base (A) Fig. 2, sur la base. La cheville d'alignement à l'arrière de la base du guide s'insère dans le trou (C) Fig. 3.
3. Placez les deux vis de montage (F) Fig. 2, à travers la base du guide et vissez dans les trous (B) Fig. 3, de la sous-base. Serrez les vis fermement.
4. Posez le moteur sur la base et réglez l'exposition de la mèche (voir RÉGLAGE DE L'EXPOSITION DE LA MÈCHE).

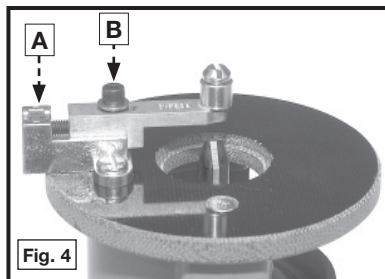


REMARQUE : Pour les COUPES À RAS, réglez l'exposition de la mèche de manière à ce que le tranchant droit (de la mèche) engage l'ouvrage. Pour les COUPES EN BISEAU, réglez l'exposition de la mèche de manière à ce que le tranchant à angle (de la mèche) engage l'ouvrage.

- Alignez le guide de rouleau sur la mèche en desserrant la vis de blocage (A) Fig. 4, et en tournant la vis de réglage (B) Fig. 4 (avec la clé hexagonale fournie), jusqu'à ce que le guide soit à la position désirée.

REMARQUE : Pour les COUPES À RAS, alignez le rouleau sur la partie droite de la mèche. Pour les COUPES EN BISEAU, ajustez le rouleau de manière à exposer le niveau désiré de la mèche en biseau.

- Serrez la vis de blocage et effectuez une coupe d'essai sur un matériau de rebut afin de vérifier l'alignement. Réajustez au besoin.



AFFLEURAGE À RAS

▲ AVERTISSEMENT Assurez-vous que l'outil est débranché.

- Fixez la base et le guide à l'affleureuse comme décrit dans la section ASSEMBLAGE ET RÉGLAGE DE LA BASE ET DU GUIDE.
- Retirez le guide de rouleau et remplacez par le guide d'affleurement à ras (B) (Fig. 2). Ce guide peut être identifié par la lettre « F » qui y est moulée. Le goujon à l'extrémité du guide doit être dirigé vers la base de l'affleureuse.
- Posez la jauge de réglage du guide (E) Fig. 2, dans la douille de l'affleureuse (voir POSE DE LA MÈCHE). Posez le moteur de l'affleureuse sur la base. Réglez le guide de manière à ce que le trou à l'extrémité de la jauge puisse être positionné par-dessus le goujon du guide.
- Retirez la jauge de réglage du guide de l'affleureuse et posez.
- Réglez la profondeur de coupe de manière à ce que la partie droite de la mèche fasse saillie en-dessous de la base de l'affleureuse dans une proportion au moins égale à l'épaisseur du matériau à affleurer.
- Effectuez une coupe d'essai sur un matériau de rebut. Réajustez au besoin.

AFFLEURAGE EN BISEAU

- Suivez les étapes 1 à 5 de la section AFFLEURAGE À RAS sauf que vous devez ser le guide d'affleurement en biseau (C) (Fig. 2). Ce guide s'identifie par la lettre « B » qui y est moulée.
- Réglez la profondeur de coupe de manière à ce que seule la partie en biseau de la mèche fasse saillie en-dessous de la base de l'affleureuse dans une proportion au moins égale à l'épaisseur du matériau à affleurer.
- Effectuez une coupe d'essai sur un matériau de rebut afin de vérifier l'alignement. Réajustez au besoin.

UTILISATION DU GUIDE DE BORD DROIT

Le guide de bord droit (D) (Fig. 2) peut être utilisé pour affleurer les bords droits longs. Assemblez à la base du guide et ajustez comme vous le faites avec les autres guides

GUIDE DE DEPANNAGE

Pour l'assistance avec votre outil, visiter notre site web à www.porter-cable.com pour une liste de centres de maintenance ou appeler la ligne d'aide de Porter-Cable à 1-888-848-5175.

ENTRETIEN

NETTOYER VOS OUTILS

Nettoyer régulièrement les passages d'air avec de l'air comprimé à sec. Toutes les pièces en plastiques doivent être nettoyées avec un chiffon doux légèrement humide. Ne nettoyer JAMAIS les pièces en plastique avec des dissolvants. Ils pourraient dissoudre ou autrement endommager ces pièces.

▲ AVERTISSEMENT Mettez ANSI Z87.1 toujours des lunettes de sécurité quand vous utilisez de l'air comprimé.

L'OUTIL REFUSE DE DÉMARRER

Si l'outil refuse de démarrer, assurez-vous que les fiches du cordon électrique font un bon contact avec la prise de courant. Vérifiez également si les fusibles ont fondus ou si le disjoncteur est ouvert.

GRAISSAGE

Cet outil a été graissé avec une quantité suffisante de lubrifiant de haute qualité pour assurer son bon fonctionnement pour la durée de sa vie opératoire. Il ne devrait pas être nécessaire de le re-graisser

INSPECTION DES BALAIS (Le cas échéant)

Pour assurer votre sécurité et pour vous protéger contre tout risque de décharge électrique, l'inspection des balais et leur remplacement devra être SEULEMENT effectuée soit par une STATION AUTORISÉE PAR PORTER-CABLE soit par un CENTRE DE USINE SERVICE PORTER-CABLE•DELTA.

Après approximativement 100 heures d'utilisation, amener ou envoyer votre outil à la station autorisée par Porter-Cable la plus proche afin qu'il soit entièrement inspecté et nettoyé. Les pièces usées seront remplacées si cela s'avère nécessaire; il sera de même re-graisser si cela s'avère nécessaire; il sera assemblé avec de nouveaux balais; et il sera mis à l'épreuve.

Toute perte de puissance avant la période d'inspection prévue peut indiquer que l'outil a besoin d'in service de maintien immédiat. NE CONTINUEZ PAS À VOUS SERVIR DE L'OUTIL DANS DE TELLES CONDITIONS. Si le voltage nécessaire au fonctionnement de l'outil est présent, envoyez immédiatement l'outil au centre de service pour qu'il soit inspecté et réparé.

SERVICE

PIÈCES DE RECHANGE

Utiliser seulement des pièces de rechange identiques. Pour obtenir une liste des pièces de rechange ou pour en commander, consulter notre site Web au servicenet.porter-cable.com. Commander aussi des pièces auprès d'une succursale d'usine ou composer le 1-888-848-5175 pour le service à la clientèle et recevoir ainsi une assistance personnalisée de techniciens bien formés.

ENTRETIEN ET RÉPARATION

Tous les outils de qualité finissent par demander un entretien ou un changement de pièce. Pour de plus amples renseignements à propos de Porter-Cable, ses succursales d'usine ou un centre de réparation sous garantie autorisé, consulter notre site Web au www.porter-cable.com ou composer le 1-888-848-5175 pour le service à la clientèle. Toutes les réparations effectuées dans nos centres de réparation sont entièrement garanties contre les défauts de matériaux et de main-d'oeuvre. Nous ne pouvons garantir les réparations effectuées en partie ou totalement par d'autres.

Pour de plus amples renseignements par courrier, écrire à PORTER-CABLE, 4825 Highway 45 North, Jackson, Tennessee 38305, É.-U. – à l'attention de : Product Service. S'assurer d'indiquer toutes les informations figurant sur la plaque signalétique de l'outil (numéro du modèle, type, numéro de série, etc.).

ACCESSOIRES

Une ligne complète des accessoires est fournie des centres commerciaux d'usine de par votre de Porter-Cable•Delta fournisseur, de Porter-Cable•Delta, et des stations service autorisées par Porter-Cable. Veuillez visiter notre site Web www.porter-cable.com pour un catalogue ou pour le nom de votre fournisseur plus proche.

⚠ AVERTISSEMENT Depuis des accessoires autre que ceux offerts par Porter-Cable•Delta n'ont pas été testés avec ce produit, utilisation de tels accessoires a pu être dangereux. Pour l'exploitation sûre, seulement Porter-Cable•Delta a recommandé des accessoires devrait être utilisé avec ce produit.

GARANTIE

Pour enregistrer l'outil en vue d'obtenir un service de garantie, consulter notre site Web www.porter-cable.com.

GARANTIE LIMITÉE D'UN AN OFFERTE PAR PORTER-CABLE

Porter-Cable garantit ses outils dans la série "Professional Power Tools" pour une période d'un an à partir de la date de l'achat original. Pendant la période de garantie, nous réparerons, ou nous remplacerons, selon le cas, toute pièce de nos outils ou de nos accessoires couverte par notre garantie qui, après inspection, révélera un défaut de facture ou de matériel. Pour toute réparation ou pour tout remplacement, renvoyez l'outil ou l'accessoire en prépayé au centre de service Porter-Cable ou à la station autorisée. Il se peut qu'on vous demande de produire des pièces justificatives attestant de l'achat de l'outil. Cette garantie ne s'applique pas aux réparations ou aux remplacements nécessaires occasionnés par un mauvais usage de l'outil, un abus de l'outil, l'usage normal de l'outil, ou les réparations qui auraient été faites par un personnel non-autorisé n'appartenant pas à nos centre de service ou à nos stations autorisées.

TOUTE GARANTIE IMPLICITE, LA GARANTIE DE COMMERCE ET DE CONVENANCE POUR UNE TACHE PARTICULIERE INCLUE, NE DURERONT QUE POUR UNE PÉRIODE D'UN (1) AN A PARTIR DE LA DATE D'ACHAT.

Si vous désirez obtenir un supplément d'information sur la garantie, écrivez-nous à l'adresse suivante: PORTER-CABLE, 4825 Highway 45 North, Jackson, Tennessee 38305; Attention: Product Service. L'OBLIGATION PRÉCÉDENTE EST LA SEULE RESPONSABILITÉ DE PORTER-CABLE SOUS LES TERME DE CETTE, OU DE TOUTE AUTRE, GARANTIE IMPLICITE OU NON. SOUS AUCUNE CIRCONSTANCE, PORTER-CABLE NE SERA TENU POUR RESPONSABLE POUR TOUT DOMMAGES INCIDENTAUX OU INDIRECTS. Certaines provinces ne permettent pas que limites soit posées soit sur la période de temps que dure une garantie implicite, soit sur la limitation ou l'exclusion de dommages incidentaux ou indirects. Ainsi, il se peut que l'exclusion citée ci-dessus ne s'applique pas directement à vous. Cette garantie vous donne certains droits légaux spécifiques. Vous pouvez également avoir droit à d'autres droits légaux selon les provinces.

The following are trademarks of PORTER-CABLE • DELTA (Las siguientes son marcas registradas de PORTER-CABLE • DELTA S.A.) (Les marques suivantes sont des marques de fabricant de la PORTER-CABLE • DELTA): Auto-Set®, BAMMER®, B.O.S.S.®, Builder's Saw®, Contractor's Saw®, Contractor's Saw II™, Delta®, DELTACRAFT®, DELTAGRAM™, Delta Series 2000™, DURATRONIC™, Emc²™, FLEX®, Flying Chips™, FRAME SAW®, Grip Vac™, Homcraft®, INNOVATION THAT WORKS®, Jet-Lock®, JETSTREAM®, 'kickstand®, LASERLOC®, MICRO-SET®, Micro-Set®, MIDI LATHE®, MORTEN™, NETWORK™, OMNIJIG®, POCKET CUTTER®, PORTA-BAND®, PORTA-PLANE®, PORTER-CABLE®&(design), PORTER-CABLE®PROFESSIONAL POWER TOOLS, PORTER-CABLE REDEFINING PERFORMANCE™, Posi-Matic®, Q-3®&(design), QUICKSAND®&(design), QUICKSET™, QUICKSET II®, QUICKSET PLUS™, RIPTIDE™&(design), SAFE GUARD II®, SAFE-LOC®, Sanding Center®, SANDTRAP®&(design), SAW BOSS®, Sawbuck™, Sidekick®, SPEED-BLOC®, SPEEDMATIC®, SPEEDTRONIC®, STAIR EASE®, The American Woodshop®&(design), The Lumber Company®&(design), THE PROFESSIONAL EDGE®, THE PROFESSIONAL SELECT®, THIN-LINE™, TIGER®, TIGER CUB®, TIGER SAW®, TORQBUSTER®, TORQ-BUSTER®, TRI-MATCH™, TWIN-LITE®, UNIGUARD®, Unifence®, UNIFEEDER™, Unihead®, Uniplane™, Unirip®, Unisaw®, Univise®, Versa-Feeder®, VERSA-PLANÉ™, WHISPER SERIES®, WOODWORKER'S CHOICE™.

Trademarks noted with ™ and ® are registered in the United States Patent and Trademark Office and may also be registered in other countries. Las Marcas Registradas con el signo de ™ y ® son registradas por la Oficina de Registros y Patentes de los Estados Unidos y también pueden estar registradas en otros países. Marques déposées, indiquées par la lettre ™ et ®, sont déposées au Bureau des brevets d'invention et marques déposées aux Etats-Unis et pourraient être déposées aux autres pays.

PORTER-CABLE®

4825 Highway 45 North

Jackson, TN 38305

1-888-848-5175

www.porter-cable.com