

UniRip™ Saw Guide

(Model 36-448)

INSTRUCTION MANUAL



PART NO. 422-19-651-0053 - 03-28-02
Copyright © 2002 Delta Machinery



To learn more about DELTA MACHINERY
visit our website at: www.deltamachinery.com.

For Parts, Service, Warranty or other Assistance,

please call 1-800-223-7278 (In Canada call 1-800-463-3582).

INTRODUCTION

The model 36-448 UniRip™ Fence System includes an additional extension wing which can be assembled to Delta 10" Contractor's Saw and 10" Contractor's Saw.

UNPACKING

Carefully unpack the UniRip™ and all loose items from shipping container.

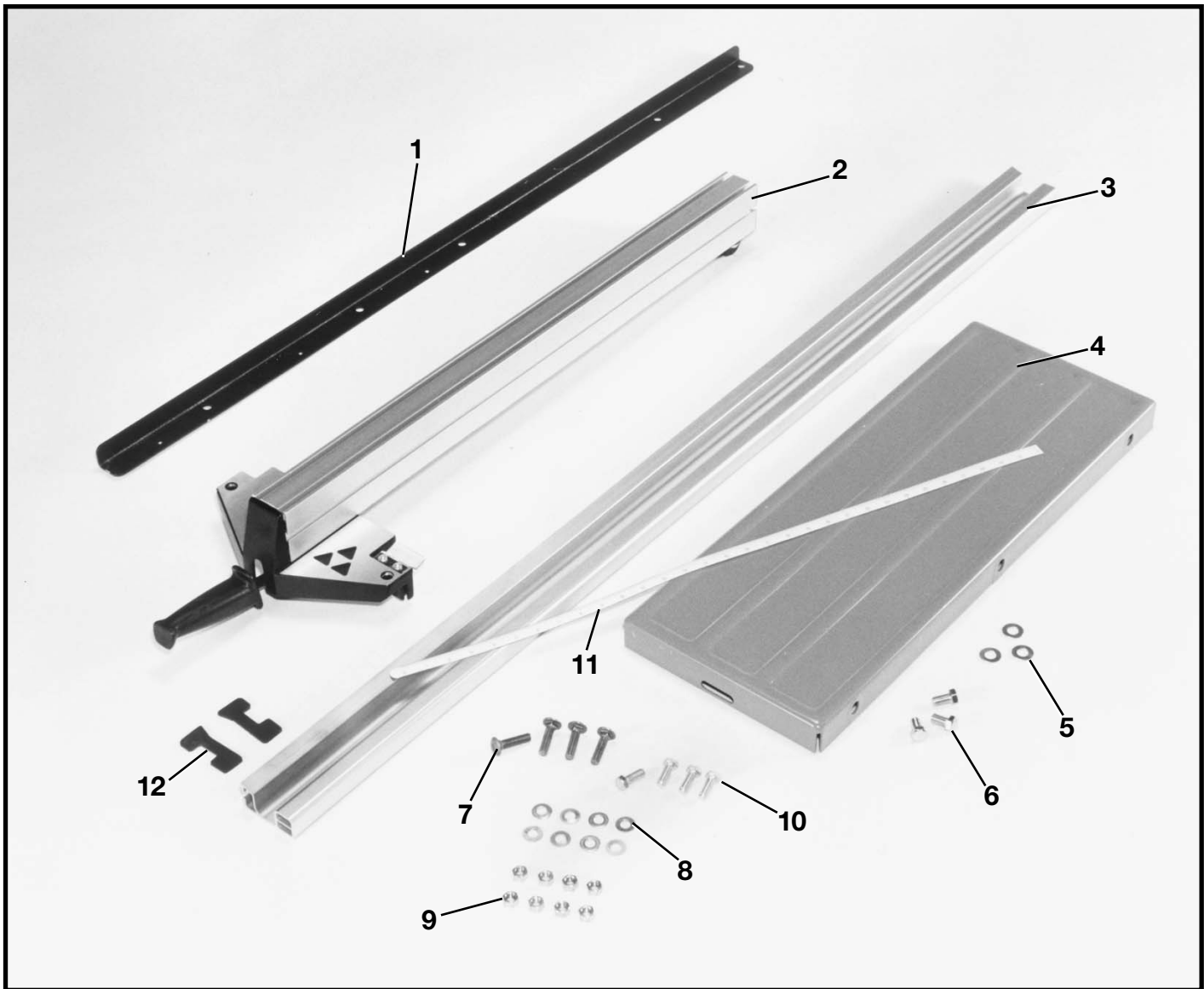


Fig. 2

- | | | |
|--|--|--|
| 1. Rear Guide Rail | 6. 7/16-20 x 3/4" Hex Head
Screws (3) for assembling
extension wing | 9. 3/8-16 Hex Nuts (8) |
| 2. UniRip™ Fence | 7. 3/8-16 x 1" Carriage Head
Bolts for mounting front
guide rail (4) | 10. 3/8-16 x 1" Hex Head Cap
Screws for mounting rear
guide rail (4) |
| 3. Front Guide Rail | 8. 3/8" Flat Washers (8) | 11. Scale |
| 4. Extension Wing | | 12. Guide Rail End Caps (2) |
| 5. 7/16" Flat Washers (3) for
assembling extension wing | | |

ASSEMBLY INSTRUCTIONS

IMPORTANT: These instructions illustrate the assembly of Model 36-448 UniRip™ Fence System onto Model 36-441 Series 2000 10" Contractor's Saw. The assembly procedure is the same for Delta 10" Unisaw, 10" Tilting Arbor Saw, pre-Series 2000 10" Contractor's Saw, and 10" Contractor's Saw II except where noted.

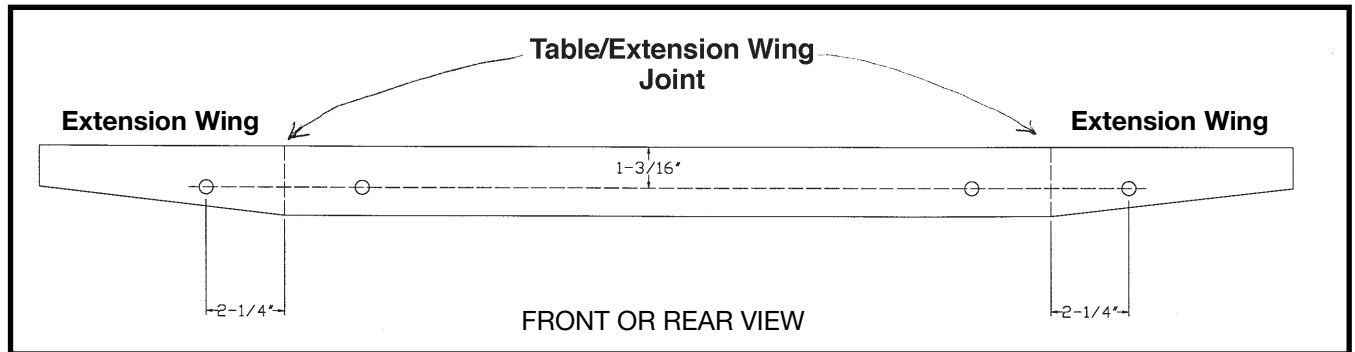


Fig. 3

FOR SAWS EQUIPPED WITH CAST IRON EXTENSION WINGS ONLY

1. A hole must be drilled into the front and back of each extension wing to provide a more stable fence system.
2. Mark and drill a 13/32" diameter hole into the front and back side of each extension wing in the locations shown in Fig. 3.

FOR SERIES 2000 10" CONTRACTOR'S SAW AND 10" CONTRACTOR'S SAW II ONLY

ASSEMBLING EXTENSION WING AND SWITCH ASSEMBLY

1. Assemble extension wing (A) Fig. 4, to the saw table using three 7/16-20 x 3/4" screws (B) and flat washers (C) [same as (5 & 6) Fig. 2].
2. With a straight edge (D) Fig. 4, make certain the extension wing (A) is level with the saw table before tightening three screws (B).
3. Loosely assemble switch bracket (E) Fig. 5, to the rear of extension wing (A) and fasten with 3/8-16 x 1" long carriage head bolt through hole, then add flat washer, and hex nut (S) [same as (7,8 &9) Fig. 2].

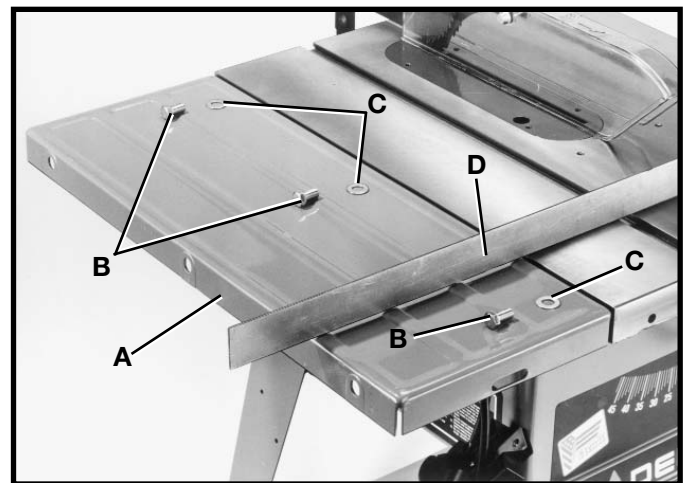


Fig. 4

FOR ALL SAWS LISTED

ASSEMBLING GUIDE RAILS

1. Loosely assemble 1" long carriage head bolt, flat washer, and hex nut (S) Fig. 5 [same as (7,8 &9) Fig. 2], into the two pre-drilled holes in the saw table and extension wings. Place carriage bolts through holes, add flat washers then hex nuts.

NOTE: The on/off switch on Delta 10" Unisaw, 10" Tilting Arbor Saw, and pre-Series 2000 10" Contractor's Saw remains as illustrated in the instruction manual received with the saw.

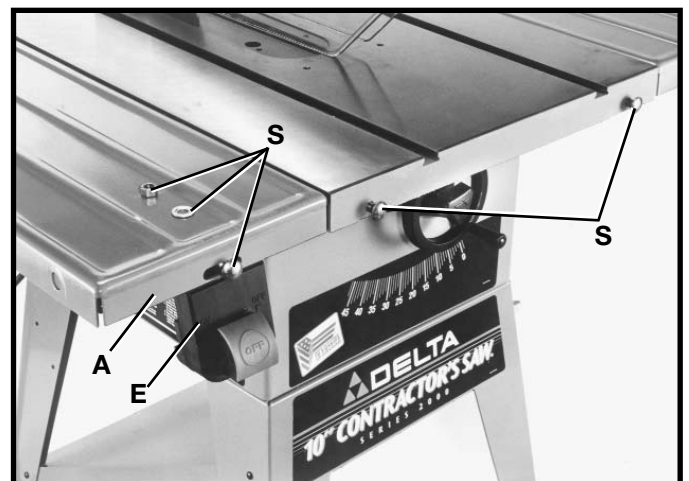


Fig. 5

2. Starting at the extreme right side of the right hand extension wing, carefully slide the guide rail (D) Fig. 6, onto the heads of the four carriage bolts (S), one of which is shown. **NOTE:** Make certain the heads of the carriage bolts are inside the channel at the rear of the guide rail. **IMPORTANT:** Slide the guide rail on the carriage bolts until the left edge of guide rail (D) is flush with the edge of the left extension wing (A).

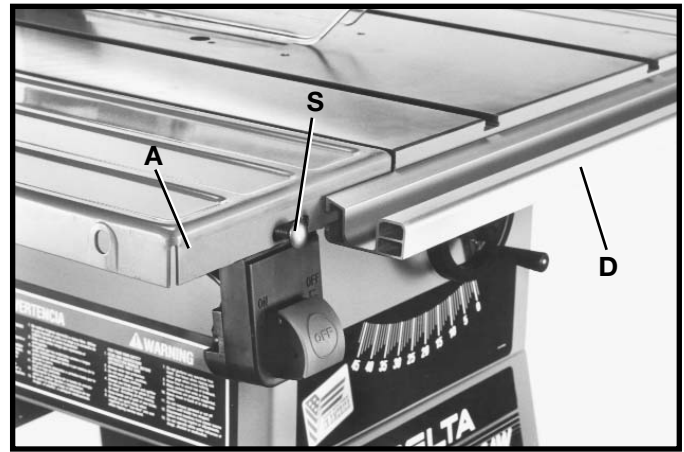


Fig. 6

3. Before tightening the hardware holding the guide rail to the saw table, proceed as follows: Beginning at the two sides of the saw table and using a square (F) Fig. 7, check to make certain the guide rail (D) is parallel with the saw table and extension wings. Tighten all guide rail mounting hardware.

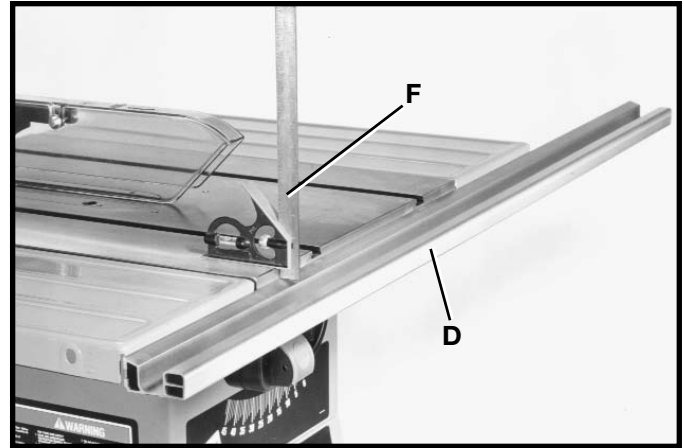


Fig. 7

4. Insert end cap (G) Fig. 8, into each end of the guide rail (D), as shown. Using a block of wood and hammer, gently tap end caps until they are completely seated into each end of the guide rail. **NOTE:** To avoid damage to the aluminum fence rail, do not use hammer directly against end caps.

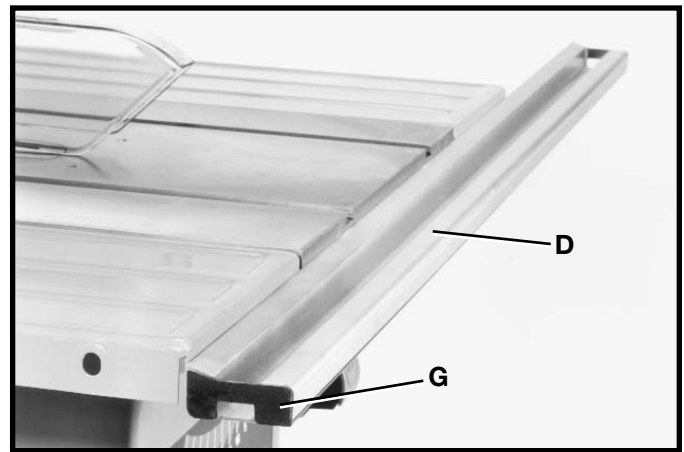


Fig. 8

5. Align holes in saw table and extension wings with four holes (H) Fig. 9, in rear guide rail (J) and fasten rear guide rail to saw table and extension wings with four one-inch long screws (K) through holes, then add flat washers (L), and hex nuts (M), as shown in Fig. 10. Flat edge of rear guide rail will face upward. **NOTE:** Blade guard and splitter assembly has been positioned at the rear of the saw for this illustration.

6. **Before tightening mounting hardware, using a square (F) Fig. 10, check to make certain the rear guide rail (J) is 19/32" below the surface of the saw and extension tables.**

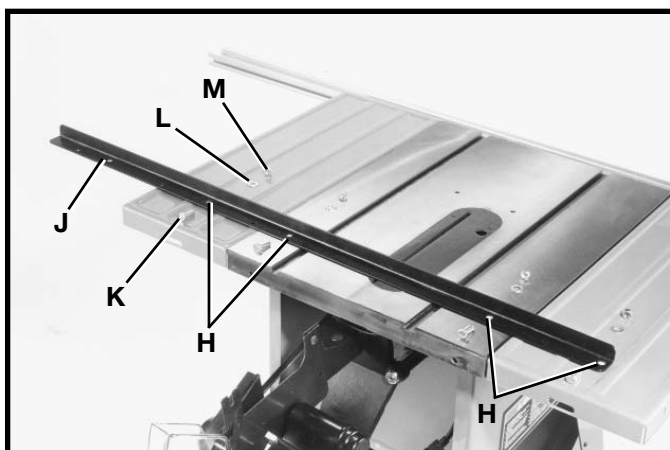


Fig. 9

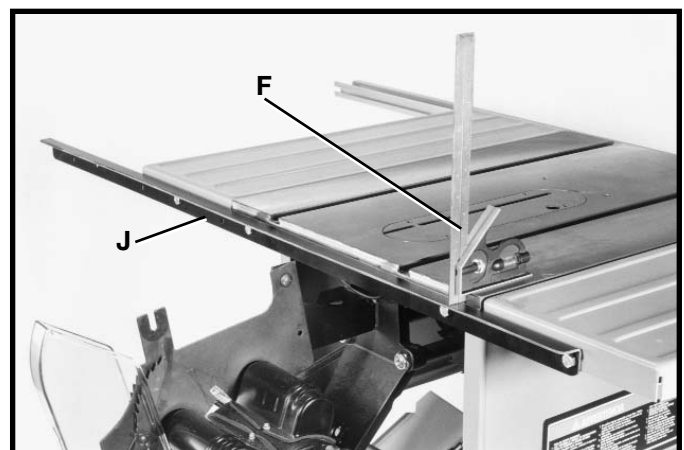


Fig. 10

ASSEMBLING RIP FENCE TO GUIDE RAILS

1. With the fence handle (A) Fig. 11, in the raised position, place the rip fence (B) onto the rear guide rail (C) so the hooked end (D) fits over the top ledge of the guide rail.
2. Lower the front of rip fence (B) Fig. 12, onto the front guide rail (E).
3. Lock the rip fence (B) Fig. 12, on the guide rails by pushing down handle (A).

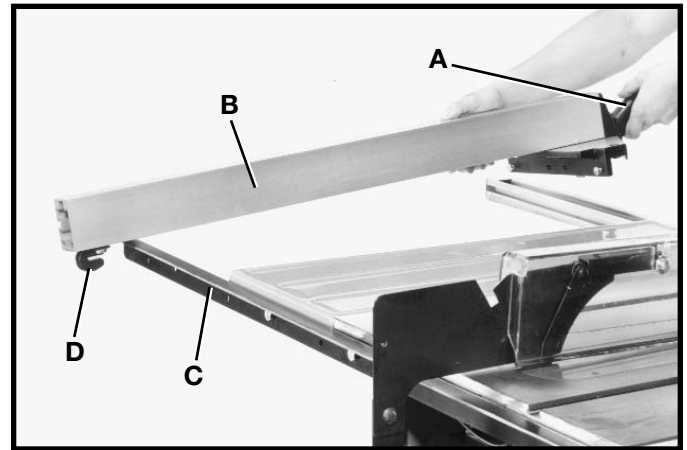


Fig. 11

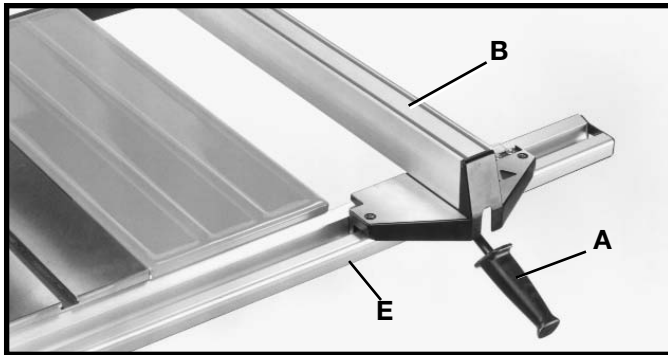


Fig. 12

ASSEMBLING SCALE TO GUIDE RAIL

1. Raise lock handle (A) Fig. 13, and slide rip fence (B) against one edge of the miter gage slot (C) as shown. Clamp the fence onto the guide rail by pushing down on lock handle (A). The edge of the fence (B) Fig. 13, should line up so it is parallel with the edge of the miter gage slot. If an adjustment is necessary, tighten or loosen either of two screws (D) Fig. 14, as necessary until rip fence (B) lines up with the miter gage slot.

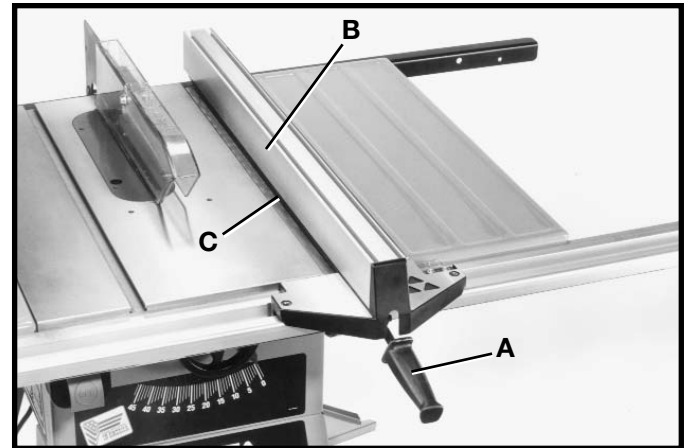


Fig. 13

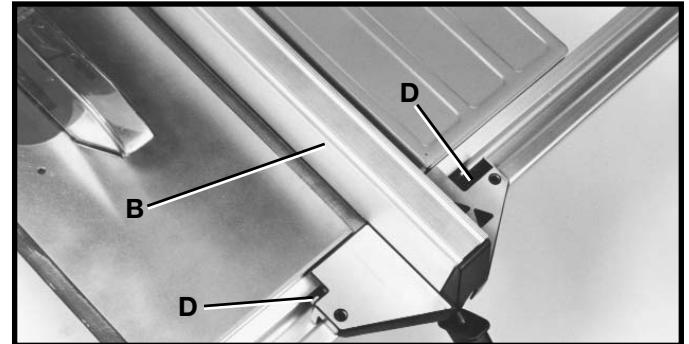


Fig. 14

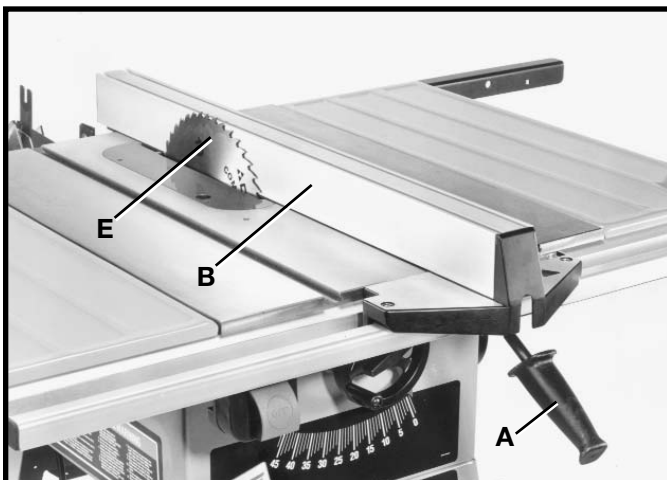


Fig. 15

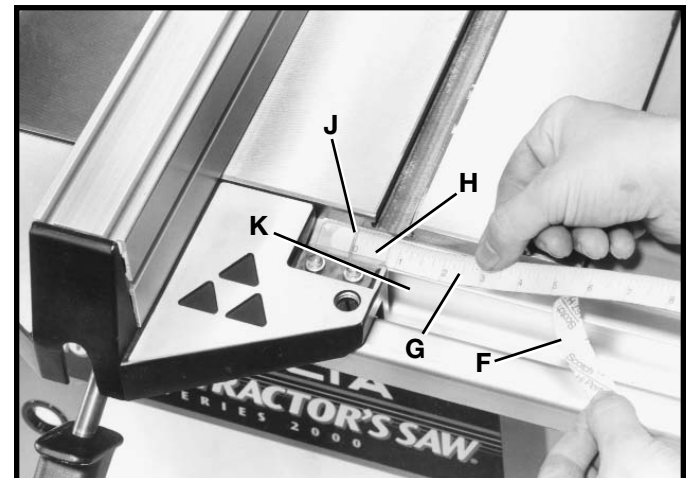


Fig. 16

2. Once the rip fence is aligned with the miter gage slot, raise the saw blade (E) to its highest position as shown in Fig. 15. Slide rip fence (B) against the saw blade (E) and lock the fence in that position by pushing down on handle (A).
3. Partially remove the backing (F) Fig. 16, from scale (G) as shown. Position scale under cursor (H) until "zero" mark on the scale (G) is directly under the cursor line (J). Lightly press down on scale (G) so it adheres to guide rail (K).
4. Continue to assemble the scale (G) Fig. 17, along the entire length of guide rail (K). **IMPORTANT:** Make certain the scale is positioned **straight** on the guide rail.

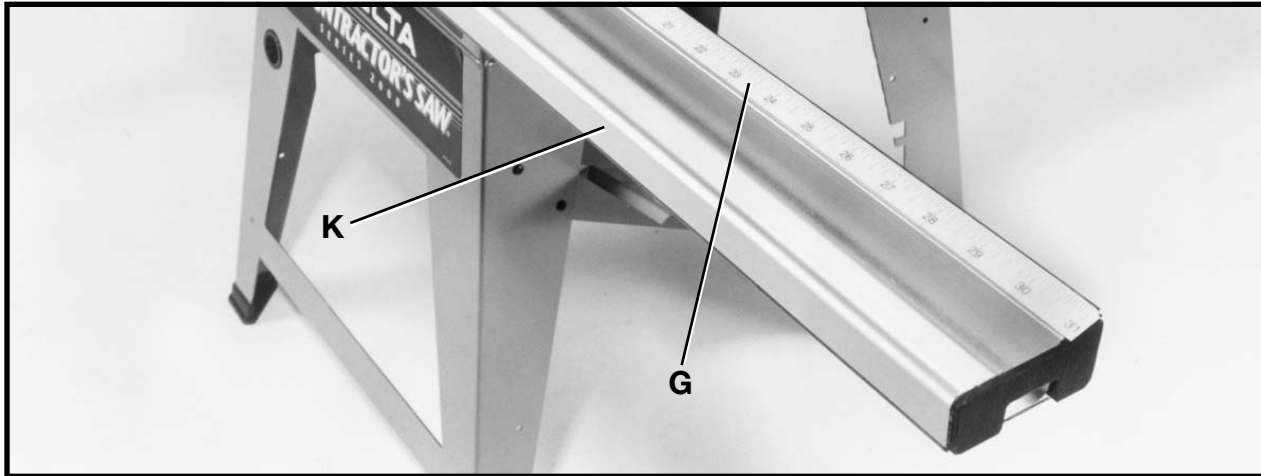


Fig. 17

RIP FENCE OPERATION AND ADJUSTMENTS

The rip fence can be used on either side of the saw blade. The most common location is on the right side and is guided by means of guide rails which are fastened to the front and rear of the table.

1. To move the rip fence, raise the lock handle (A) Fig. 18, as far as it will go and move the fence to the desired position on the table. When the lock handle (A) Fig. 18, is pushed down, clamping action on the rip fence (B) should be adequate. However, if the clamping action is too loose or too tight, an adjustment can be made by equally tightening or loosening two screws (C) as necessary. **NOTE:** It will be necessary to remove the cursor (D) Fig. 20, to make this adjustment

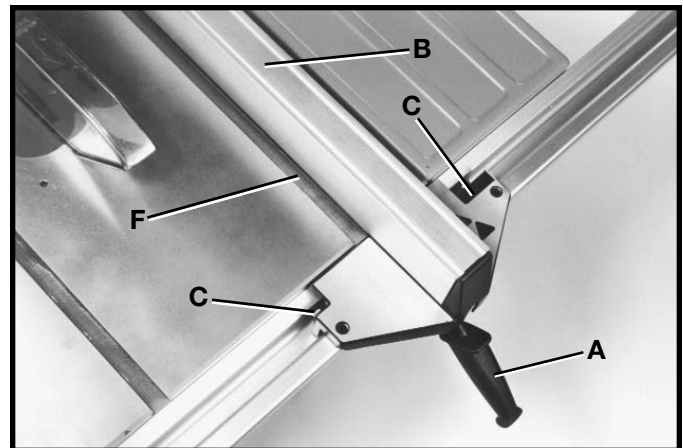


Fig. 18

IMPORTANT: THE BLADE FLANGE IS SET PARALLEL TO THE MITER GAGE SLOT AT THE FACTORY AND THE RIP FENCE MUST BE PROPERLY ALIGNED TO THE MITER GAGE SLOT IN ORDER TO PREVENT "KICKBACK" WHEN RIPPING.

2. Position the fence (B) Fig. 18, along one edge of the miter gage slot (F) as shown and lock the fence in that position. The edge of the fence (B) Fig. 18, should line up parallel to the miter gage slot (F). If an adjustment is necessary, proceed as follows:

3. Tighten or loosen either of two screws (C) Fig. 18, as necessary, until the fence (B) is parallel to the miter gage slot. **NOTE:** It will be necessary to remove the cursor (D) Fig. 20, to make this adjustment. Readjust the clamping action on the fence; if necessary, refer to **STEP 1**. Re-assemble the cursor.

IMPORTANT: THE RIP FENCE MUST BE PERPENDICULAR TO AND LEVEL WITH THE SAW TABLE.

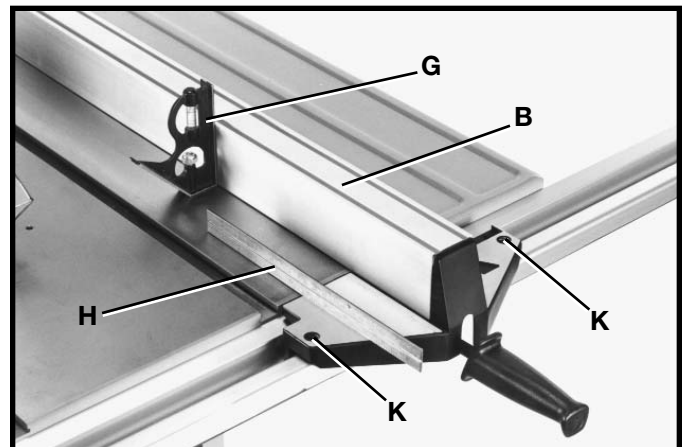


Fig. 19

4. Using a square (G) Fig. 19, and a straight edge (H), check to see if the rip fence (B) is perpendicular to the saw table and that the rip fence body is level with the saw table. If an adjustment is necessary, tighten or loosen either of two screws (K), until the fence is perpendicular and level with the saw table.

5. Depending on the type of saw blade being used, the cursor (D) Fig. 20, may need adjustment to compensate for the blade thickness. To adjust the cursor, make a test cut on a piece of lumber and measure the finished cut, or you can place the rip fence against the blade as shown earlier in the manual. If a minor adjustment is necessary, loosen two screws (E) Fig. 20, and move the cursor (D) as necessary.

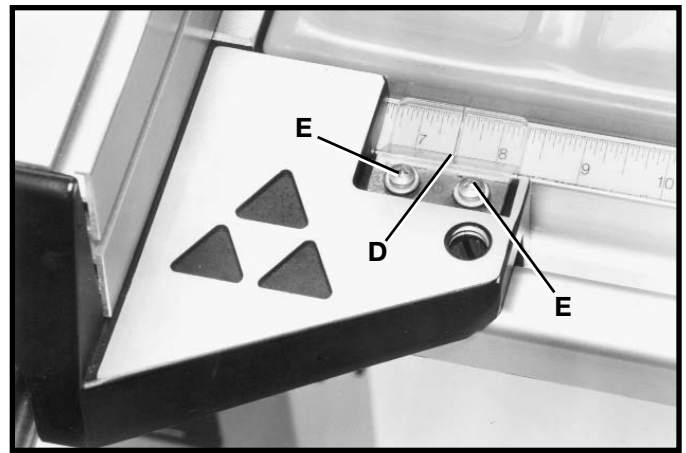


Fig. 20

⚠ WARNING: MAKE SURE RIP FENCE IS SECURELY LOCKED IN PLACE BEFORE OPERATING SAW.

NOTE: FOR INFORMATION, PROCEDURES, SAFE AND PROPER OPERATIONS AND ADJUSTMENTS OF TABLE SAW, REFER TO THE APPROPRIATE INSTRUCTION MANUAL SUPPLIED WITH THE SAW.

ACCESSORIES

A complete line of accessories is available from your Delta Supplier, Porter-Cable • Delta Factory Service Centers, and Delta Authorized Service Stations. Please visit our Web Site www.deltamachinery.com for a catalog or for the name of your nearest supplier.

⚠ WARNING: Since accessories other than those offered by Delta have not been tested with this product, use of such accessories could be hazardous. For safest operation, only Delta recommended accessories should be used with this product.



PARTS, SERVICE OR WARRANTY ASSISTANCE

All Delta Machines and accessories are manufactured to high quality standards and are serviced by a network of Porter-Cable • Delta Factory Service Centers and Delta Authorized Service Stations. To obtain additional information regarding your Delta quality product or to obtain parts, service, warranty assistance, or the location of the nearest service outlet, please call 1-800-223-7278 (In Canada call 1-800-463-3582).



Two Year Limited Warranty

Delta will repair or replace, at its expense and at its option, any Delta machine, machine part, or machine accessory which in normal use has proven to be defective in workmanship or material, provided that the customer returns the product prepaid to a Delta factory service center or authorized service station with proof of purchase of the product within two years and provides Delta with reasonable opportunity to verify the alleged defect by inspection. Delta may require that electric motors be returned prepaid to a motor manufacturer's authorized station for inspection and repair or replacement. Delta will not be responsible for any asserted defect which has resulted from normal wear, misuse, abuse or repair or alteration made or specifically authorized by anyone other than an authorized Delta service facility or representative. Under no circumstances will Delta be liable for incidental or consequential damages resulting from defective products. This warranty is Delta's sole warranty and sets forth the customer's exclusive remedy, with respect to defective products; all other warranties, express or implied, whether of merchantability, fitness for purpose, or otherwise, are expressly disclaimed by Delta.

PORTER-CABLE • DELTA SERVICE CENTERS (CENTROS DE SERVICIO DE PORTER-CABLE • DELTA)

Parts and Repair Service for Porter-Cable • Delta Machinery are Available at These Locations
(Obtenga Refaccion de Partes o Servicio para su Herramienta en los Siguientes Centros de Porter-Cable • Delta)

ARIZONA

Tempe 85282 (Phoenix)
2400 West Southern Avenue
Suite 105
Phone: (602) 437-1200
Fax: (602) 437-2200

CALIFORNIA

Ontario 91761 (Los Angeles)
3949A East Guasti Road
Phone: (909) 390-5555
Fax: (909) 390-5554
San Leandro 94577 (Oakland)
3039 Teagarden Street
Phone: (510) 357-9762
Fax: (510) 357-7939

COLORADO

Arvada 80003 (Denver)
8175 Sheridan Blvd., Unit S
Phone: (303) 487-1809
Fax: (303) 487-1868

FLORIDA

Davie 33314 (Miami)
4343 South State Rd. 7 (441)
Unit #107
Phone: (954) 321-6635
Fax: (954) 321-6638
Tampa 33609
4538 W. Kennedy Boulevard
Phone: (813) 877-9585
Fax: (813) 289-7948

GEORGIA

Forest Park 30297 (Atlanta)
5442 Frontage Road,
Suite 112
Phone: (404) 608-0006
Fax: (404) 608-1123

ILLINOIS

Addison 60101 (Chicago)
400 South Rohlwing Rd.
Phone: (630) 424-8805
Fax: (630) 424-8895
Woodridge 60517 (Chicago)
2033 West 75th Street
Phone: (630) 910-9200
Fax: (630) 910-0360

MARYLAND

Elkridge 21075 (Baltimore)
7397-102 Washington Blvd.
Phone: (410) 799-9394
Fax: (410) 799-9398

MASSACHUSETTS

Braintree 02185 (Boston)
719 Granite Street
Phone: (781) 848-9810
Fax: (781) 848-6759
Franklin 02038 (Boston)
Franklin Industrial Park
101E Constitution Blvd.
Phone: (508) 520-8802
Fax: (508) 528-8089

MICHIGAN

Madison Heights 48071 (Detroit)
30475 Stephenson Highway
Phone: (248) 597-5000
Fax: (248) 597-5004

MINNESOTA

Minneapolis 55429
5522 Lakeland Avenue North
Phone: (763) 561-9080
Fax: (763) 561-0653

MISSOURI

North Kansas City 64116
1141 Swift Avenue
P.O. Box 12393
Phone: (816) 221-2070
Fax: (816) 221-2897
St. Louis 63119
7574 Watson Road
Phone: (314) 968-8950
Fax: (314) 968-2790

NEW YORK

Flushing 11365-1595 (N.Y.C.)
175-25 Horace Harding Expwy.
Phone: (718) 225-2040
Fax: (718) 423-9619

NORTH CAROLINA

Charlotte 28270
9129 Monroe Road, Suite 115
Phone: (704) 841-1176
Fax: (704) 708-4625

OHIO

Columbus 43214
4560 Indianola Avenue
Phone: (614) 263-0929
Fax: (614) 263-1238

Cleveland 44125
8001 Sweet Valley Drive
Unit #19
Phone: (216) 447-9030
Fax: (216) 447-3097

OREGON

Portland 97230
4916 NE 122 nd Ave.
Phone: (503) 252-0107
Fax: (503) 252-2123

PENNSYLVANIA

Willow Grove 19090
520 North York Road
Phone: (215) 658-1430
Fax: (215) 658-1433

TEXAS

Carrollton 75006 (Dallas)
1300 Interstate 35 N, Suite 112
Phone: (972) 446-2996
Fax: (972) 446-8157
Houston 77055
West 10 Business Center
1008 Wirt Road, Suite 120
Phone: (713) 682-0334
Fax: (713) 682-4867

WASHINGTON

Auburn 98001 (Seattle)
3320 West Valley HWY, North
Building D, Suite 111
Phone: (253) 333-8353
Fax: (253) 333-9613

Authorized Service Stations are located in many large cities. Telephone **800-438-2486** or **731-541-6042** for assistance locating one. Parts and accessories for Porter-Cable-Delta products should be obtained by contacting any Porter-Cable-Delta Distributor, Authorized Service Center, or Porter-Cable-Delta Factory Service Center. If you do not have access to any of these, call **800-223-7278** and you will be directed to the nearest Porter-Cable-Delta Factory Service Center. Las Estaciones de Servicio Autorizadas están ubicadas en muchas grandes ciudades. Llame al **800-438-2486** ó al **731-541-6042** para obtener asistencia a fin de localizar una. Las piezas y los accesorios para los productos Porter-Cable-Delta deben obtenerse poniéndose en contacto con cualquier distribuidor Porter-Cable-Delta, Centro de Servicio Autorizado o Centro de Servicio de Fábrica Porter-Cable-Delta. Si no tiene acceso a ninguna de estas opciones, llame al **800-223-7278** y le dirigirán al Centro de Servicio de Fábrica Porter-Cable-Delta más cercano.

CANADIAN PORTER-CABLE • DELTA SERVICE CENTERS

ALBERTA

Bay 6, 2520-23rd St. N.E.
Calgary, Alberta
T2E 8L2
Phone: (403) 735-6166
Fax: (403) 735-6144

BRITISH COLUMBIA

8520 Baxter Place
Burnaby, B.C.
V5A 4T8
Phone: (604) 420-0102
Fax: (604) 420-3522

MANITOBA

1699 Dublin Avenue
Winnipeg, Manitoba
R3H 0H2
Phone: (204) 633-9259
Fax: (204) 632-1976

ONTARIO

505 Southgate Drive
Guelph, Ontario
N1H 6M7
Phone: (519) 836-2840
Fax: (519) 767-4131

QUÉBEC

1515 ave.
St-Jean Baptiste,
Québec, Québec
G2E 5E2
Phone: (418) 877-7112
Fax: (418) 877-7123

1447, Begin
St-Laurent, (Montréal),
Québec
H4R 1V8
Phone: (514) 336-8772
Fax: (514) 336-3505

The following are trademarks of PORTER-CABLE-DELTA (Las siguientes son marcas registradas de PORTER-CABLE S.A.): BAMMER®, INNOVATION THAT WORKS®, JETSTREAM®, LASERLOC®, OMNIJIG®, POCKET CUTTER®, PORTA-BAND®, PORTA-PLANE®, PORTER-CABLE®, QUICKSAND®, SANDTRAP®, SAW BOSS®, SPEED-BLOC®, SPEEDMATIC®, SPEEDTRONIC®, STAIR-EASE®, THE PROFESSIONAL EDGE®, THE PROFESSIONAL SELECT®, TIGER CUB®, TIGER SAW®, TORQBUSTER®, WHISPER SERIES®, DURATRONIC™, FLEX™, FRAME SAW™, MICRO-SET™, MORTEN™, NETWORK™, RIPTIDE™, TRU-MATCH™, WOODWORKER'S CHOICE™, THE AMERICAN WOOD SHOP™ (design), AUTO-SET™, B.O.S.S.™, BUILDER'S SAW™, CONTRACTOR'S SAW™, DELTA™, DELTACRAFT™, HOMECRAFT™, JET-LOCK™, KICKSTAND™, THE LUMBER COMPANY™ (design), MICRO-SET™, Q3™, QUICKSET II™, QUICKSET PLUS™, SAFEGUARD II™, SANDING CENTER™, SIDEKICK™, UNIFENCE™, UNIGUARD™, UNIRIP™, UNISAW™, VERSA-FEEDER™, THIN-LINE™, TPS™, Emc²™.

Trademarks noted with ™ and ® are registered in the United States Patent and Trademark Office and may also be registered in other countries. Las Marcas Registradas con el signo de ™ y ® son registradas por la Oficina de Registros y Patentes de los Estados Unidos y también pueden estar registradas en otros países.

Printed in U.S.A.