

5" (127 MM) RANDOM ORBIT PALM SANDER

with Dust Collection and Hook & Loop Pad

Lijadora de órbita aleatoria de 127 mm (5 pulg)

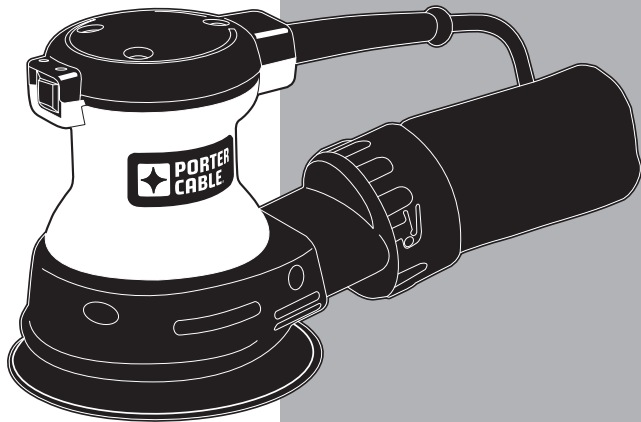
con recolección de polvo y base de unión por contacto

Ponceuse de finition orbitale excentrique, de 127 mm (5 po)

avec dépoussiéreur et tampon de type boucles et crochets

Instruction manual
Manuel d'instructions
Manual de instrucciones

www.deltaportercable.com



INSTRUCTIVO DE OPERACIÓN, CENTROS DE SERVICIO Y PÓLIZA DE GARANTÍA.
ADVERTENCIA: LÉASE ESTE INSTRUCTIVO ANTES DE USAR EL PRODUCTO.

382

g) If devices are provided for the connection of dust extraction and collection facilities, ensure these are connected and properly used. Use of dust collection can reduce dust-related hazards.

4) POWER TOOL USE AND CARE

- Do not force the power tool. Use the correct power tool for your application. The correct power tool will do the job better and safer at the rate for which it was designed.
- Do not use the power tool if the switch does not turn it on and off. Any power tool that cannot be controlled with the switch is dangerous and must be repaired.
- Disconnect the plug from the power source and/or the battery pack from the power tool before making any adjustments, changing accessories, or storing power tools. Such preventive safety measures reduce the risk of starting the power tool accidentally.
- Store idle power tools out of the reach of children and do not allow persons unfamiliar with the power tool or these instructions to operate the power tool. Power tools are dangerous in the hands of untrained users.
- Maintain power tools. Check for misalignment or binding of moving parts, breakage of parts and any other condition that may affect the power tool's operation. If damaged, have the power tool repaired before use. Many accidents are caused by poorly maintained power tools.
- Keep cutting tools sharp and clean. Properly maintained cutting tools with sharp cutting edges are less likely to bind and are easier to control.
- Use the power tool, accessories and tool bits etc., in accordance with these instructions taking into account the working conditions and the work to be performed. Use of the power tool for operations different from those intended could result in a hazardous situation.

5) SERVICE

- Have your power tool serviced by a qualified repair person using only identical replacement parts. This will ensure that the safety of the power tool is maintained.

ADDITIONAL SPECIFIC SAFETY RULES

- Hold power tools by insulated gripping surfaces when performing an operation where the cutting tool may contact hidden wiring or its own cord. Contact with a "live" wire will make exposed metal parts of the tool "live" and shock the operator.
- Do not sand metal of any kind with your sander. Sparks may be generated by sanding screws, nails or other metals which may ignite dust particles.
- Do not wet sand with this sander. Liquids may enter the motor housing and cause electric shock.
- Empty dust collection system frequently, especially when sanding resin-coated surfaces such as polyurethane, varnish, shellac, etc. Dispose of coated dust particles according to the finish manufacturer's guidelines, or place in a metal can with a tight fitting metal lid. Remove coated dust particles from the premises daily. The accumulation of fine sanding dust particles may self ignite and cause fire.
- Do not operate this tool for long periods of time. Vibration caused by the operating action of this tool may cause permanent injury to fingers, hands, and arms. Use gloves to provide extra cushion, take frequent rest periods, and limit daily time of use.
- Sanding of lead-based paint, chemically pressure treated lumber or other materials that may contain carcinogens is not recommended. Sanding of these materials should only be performed by a professional.
- Clean out your tool often, especially after heavy use. Dust and grit containing metal particles often accumulate on interior surfaces and could create a risk of serious injury, electric shock or electrocution. Always disconnect the sander from the power source before cleaning. Always wear safety glasses that conform to ANSI Z87.1.
- Always disconnect tool from the power source before changing abrasive sheets. Such preventive safety measures reduce the risk of starting the power tool accidentally.
- Replace worn CFS disc when it causes high tool rpm. High tool rpm caused by a worn out CFS disc may result in separation of sanding pad from the sander, possibly causing personal injury. For instructions on replacing the CFS disc, see the section of this manual titled "Tool Care."

EXTENSION CORD

An extension cord must have adequate wire size (AWG or American Wire Gauge) for safety. The smaller the gauge number of the wire, the greater the capacity of the cable, that is 16 gauge has more capacity than 18 gauge. An undersized cord will cause a drop in line voltage resulting in loss of power and overheating. When using more than one extension to make up the total length, be sure each individual extension contains at least the minimum wire size. The following table shows the correct size to use depending on cord length and nameplate ampere rating. If in doubt, use the next heavier gauge. The smaller the gauge number, the heavier the cord.

Ampere Rating		Minimum Gauge for Cord Sets				
		Volts	Total Length of Cord in Feet (meters)			
More Than	Not More Than	120V	25 (7.6)	50 (15.2)	100 (30.5)	150 (45.7)
		240V	50 (15.2)	100 (30.5)	200 (61.0)	300 (91.4)
		AWG				
0	6		18	16	16	14
6	10		18	16	14	12
10	12		16	16	14	12
12	16		14	12	Not Recommended	

WARNING: Always use eye protection. All users and bystanders must wear eye protection that conforms to ANSI Z87.1.

WARNING: Always wear proper personal hearing protection that conforms to ANSI S12.6 (S3.19) during use. Under some conditions and duration of use, noise from this product may contribute to hearing loss.

WARNING: ALWAYS use safety glasses. Everyday eyeglasses are NOT safety glasses. Also use face or dust mask if cutting operation is dusty. ALWAYS WEAR CERTIFIED SAFETY EQUIPMENT:

- ANSI Z87.1 eye protection (CAN/CSA Z94.3),
- ANSI S12.6 (S3.19) hearing protection,
- NIOSH/OSHA/MSHA respiratory protection.

WARNING: Some dust created by power sanding, sawing, grinding, drilling, and other construction activities contains chemicals known to the State of California to cause cancer, birth defects or other reproductive harm. Some examples of these chemicals are:

- lead from lead-based paints,
- crystalline silica from bricks and cement and other masonry products, and
- arsenic and chromium from chemically-treated lumber (CCA).

Your risk from these exposures varies, depending on how often you do this type of work. To reduce your exposure to these chemicals: work in a well ventilated area, and work with approved safety equipment, such as those dust masks that are specially designed to filter out microscopic particles.

- Avoid prolonged contact with dust from power sanding, sawing, grinding, drilling, and other construction activities. Wear protective clothing and wash exposed areas with soap and water. Allowing dust to get into your mouth, eyes, or lay on the skin may promote absorption of harmful chemicals.

WARNING: Use of this tool can generate and/or disburse dust, which may cause serious and permanent respiratory or other injury. Always use NIOSH/OSHA approved respiratory protection appropriate for the dust exposure. Direct particles away from face and body.

SYMBOLS

The label on your tool may include the following symbols. The symbols and their definitions are as follows:

V..... volts	A..... amperes
Hz hertz	W..... watts
min..... minutes	~ alternating current
—=— direct current	⎓ alternating or direct current
⚠..... Class I Construction (grounded)	no no load speed
⊠..... Class II Construction (double insulated)	⊕ earthing terminal
.../min..... per minute	▲ safety alert symbol
OPM orbits per minute	BPM beats per minute
	RPM revolutions per minute

ADDITIONAL SAFETY RULES FOR PAINT REMOVAL

- Sanding of lead based paint is NOT RECOMMENDED due to the difficulty of controlling the contaminated dust. The greatest danger of lead poisoning is to children and pregnant women.
- Since it is difficult to identify whether or not a paint contains lead without a chemical analysis, we recommend the following precautions when sanding any paint:

PERSONAL SAFETY

- No children or pregnant women should enter the work area where the paint sanding is being done until all clean up is completed.
- A dust mask or respirator should be worn by all persons entering the work area. The filter should be replaced daily or whenever the wearer has difficulty breathing. See your local hardware store for the proper NIOSH approved dust mask.

DEFINITIONS - SAFETY GUIDELINES

DANGER: indicates an imminently hazardous situation which, if not avoided, will result in death or serious injury.

WARNING: indicates a potentially hazardous situation which, if not avoided, could result in death or serious injury.

CAUTION: indicates a potentially hazardous situation which, if not avoided, may result in minor or moderate injury.

NOTICE: used without the safety alert symbol indicates potentially hazardous situation which, if not avoided, may result in property damage.



WARNING: To reduce the risk of injury, read the instruction manual.

GENERAL POWER TOOL SAFETY WARNINGS

WARNING: Read all safety warnings and instructions. Failure to follow the warnings and instructions may result in electric shock, fire and/or serious injury.

SAVE ALL WARNINGS AND INSTRUCTIONS FOR FUTURE REFERENCE

The term "power tool" in the warnings refers to your mains-operated (corded) power tool or battery-operated (cordless) power tool.

1) WORK AREA SAFETY

- Keep work area clean and well lit. Cluttered or dark areas invite accidents.
- Do not operate power tools in explosive atmospheres, such as in the presence of flammable liquids, gases or dust. Power tools create sparks which may ignite the dust or fumes.
- Keep children and bystanders away while operating a power tool. Distractions can cause you to lose control.

2) ELECTRICAL SAFETY

- Power tool plugs must match the outlet. Never modify the plug in any way. Do not use any adapter plugs with earthed (grounded) power tools. Unmodified plugs and matching outlets will reduce risk of electric shock.
- Avoid body contact with earthed or grounded surfaces such as pipes, radiators, ranges and refrigerators. There is an increased risk of electric shock if your body is earthed or grounded.
- Do not expose power tools to rain or wet conditions. Water entering a power tool will increase the risk of electric shock.
- Do not abuse the cord. Never use the cord for carrying, pulling or unplugging the power tool. Keep cord away from heat, oil, sharp edges or moving parts. Damaged or entangled cords increase the risk of electric shock.
- When operating a power tool outdoors, use an extension cord suitable for outdoor use. Use of a cord suitable for outdoor use reduces the risk of electric shock.
- If operating a power tool in a damp location is unavoidable, use a ground fault circuit interrupter (GFCI) protected supply. Use of a GFCI reduces the risk of electric shock.

3) PERSONAL SAFETY

- Stay alert, watch what you are doing and use common sense when operating a power tool. Do not use a power tool while you are tired or under the influence of drugs, alcohol or medication. A moment of inattention while operating power tools may result in serious personal injury.
- Use personal protective equipment. Always wear eye protection. Protective equipment such as dust mask, non-skid safety shoes, hard hat, or hearing protection used for appropriate conditions will reduce personal injuries.
- Prevent unintentional starting. Ensure the switch is in the off position before connecting to power source and/or battery pack, picking up the tool. Carrying power tools with your finger on the switch or energizing power tools that have the switch on invites accidents.
- Remove any adjusting key or wrench before turning the power tool on. A wrench or a key left attached to a rotating part of the power tool may result in personal injury.
- Do not overreach. Keep proper footing and balance at all times. This enables better control of the power tool in unexpected situations.
- Dress properly. Do not wear loose clothing or jewelry. Keep your hair, clothing and gloves away from moving parts. Loose clothes, jewelry or long hair can be caught in moving parts.

- NO EATING, DRINKING or SMOKING should be done in the work area to prevent ingesting contaminated paint particles. Workers should wash and clean up BEFORE eating, drinking or smoking. Articles of food, drink, or smoking should not be left in the work area where dust would settle on them.

ENVIRONMENTAL SAFETY

- Paint should be removed in such a manner as to minimize the amount of dust generated.
- Areas where paint removal is occurring should be sealed with plastic sheeting of 4 mil thickness.
- Sanding should be done in a manner to reduce tracking of paint dust outside the work area.

CLEANING AND DISPOSAL

- All surfaces in the work area should be vacuumed and thoroughly cleaned daily for the duration of the sanding project. Vacuum filter bags should be changed frequently.
- Plastic drop cloths should be gathered up and disposed of along with any dust chips or other removal debris. They should be placed in sealed refuse receptacles and disposed of through regular trash pick-up procedures. During clean up, children and pregnant women should be kept away from the immediate work area.
- All toys, washable furniture and utensils used by children should be washed thoroughly before being used again.

SAVE THESE INSTRUCTIONS

MOTOR

Be sure your power supply agrees with nameplate marking. 120 Volts AC means your tool will operate on alternating current. As little as 10% lower voltage can cause loss of power and can result in overheating. All PORTER-CABLE tools are factory-tested; if this tool does not operate, check the power supply.

▲WARNING: Accessories must be rated for at least the speed recommended on the tool warning label. Accessories running over rated speed can fly apart and cause injury. Accessory ratings must always be above tool speed as shown on tool nameplate.

▲WARNING: To reduce the risk of injury, turn unit off and disconnect it from power source before installing and removing accessories, before adjusting or when making repairs. An accidental start-up can cause injury.

OPERATION

▲WARNING: To reduce the risk of injury, turn unit off and disconnect it from power source before installing and removing accessories, before adjusting or when making repairs. An accidental start-up can cause injury.

▲WARNING: Never modify any parts of the power tool. Damage or personal injury could result.

INTENDED USE

The 382 random orbit palm sander has been designed for professional sanding at various work sites (i.e., construction sites). Do not use under humid conditions or in presence of flammable liquids or gases.

This random orbit palm sander is a professional power tool. Do not let children come into contact with the tool. Supervision is required when inexperienced operators use this tool.

ATTACHING SANDING DISCS (FIG. 1)

▲WARNING: To reduce the risk of injury, turn unit off and disconnect it from power source before installing and removing accessories, before adjusting or when making repairs. An accidental start-up can cause injury.

Your sander is designed to use 5" (127 mm) sanding discs. Discs have an 8 hole dust extraction pattern and hook and loop attachment. To attach paper to the sanding pad:

REQUIRED SANDPAPERS		
Disc Size	Attachment Method	Hole Pattern
5" (127 mm)	Hook & Loop	8 holes

- Turn off and unplug the tool.
- Turn the sander over so that the sanding pad is facing upward.
- Clean dust from the vinyl pad face.
- Hold the pad with one hand to keep it from rotating.
- With the other hand, align the holes if they are present, and place the disc directly on top of the pad.

NOTE: Do not use sanding screen (e.g. screen used for sanding drywall) directly on the hook and loop pad. The screen will not hold and will damage the hooks on the pad. The hooks on the pad will wear very rapidly if left in contact with the work surface while the tool is operating.

SWITCH (FIG. 2)

▲WARNING: To reduce the risk of injury, make sure the sander is not resting on the workpiece when the switch is turned on.

To turn the unit on, depress the side of the dust protected switch that corresponds to the symbol "I". To turn the tool off, depress the side of the switch that corresponds to the symbol "O".

DUST EXTRACTION (FIG. 3, 4)

▲WARNING: To reduce the risk of injury, turn unit off and disconnect it from power source before installing and removing accessories, before adjusting or when making repairs. An accidental start-up can cause injury.

▲WARNING: To reduce the risk of serious personal injury, NEVER operate this tool with perforated paper unless the dust collection system is in place.

▲WARNING: Empty dust collection system frequently, especially when sanding resin-coated surfaces such as polyurethane, varnish, shellac, etc. Dispose of coated dust particles according to the finish manufacturer's guidelines, or place in a metal can with a tight fitting metal lid. Remove coated dust particles from the premises daily. The accumulation of fine sanding dust particles may self ignite and cause fire.

Your sander comes equipped with a cloth bag to collect the dust generated during sanding. It was designed to be very durable and efficient yet easy to empty. To empty the dust collection bag:

- Turn off and unplug tool.
- While holding the canister, twist to unlock and remove the adapter. (Fig. 3)
- Gently empty the bag and shake out the adapter. (Fig. 4)

You may notice that all the dust will not come free from the bag. This will not affect sanding performance but will reduce the sander's dust collection efficiency. To restore your sander's dust collection efficiency, depress the spring inside the dust bag when you are emptying it and tap it on the side of the trash can or dust receptacle.

▲CAUTION: Never operate this tool unless the dust collector is in place. Sanding dust exhaust may create a breathing hazard.

OPERATION (FIG. 5, 6)

To operate your sander, grasp it as shown in figures 5 or 6 and turn it on. Move the unit in long, sweeping strokes along the surface being sanded, letting the sander do the work.

Pushing down on the tool while sanding actually slows the removal rate and produces an inferior quality surface. Be sure to check your work often, this sander is capable of removing material rapidly, especially with coarse paper.

The random orbital action of your sander allows you to sand with the grain or at any angle across it for most sanding jobs. To produce the best finish possible, start with coarse grit sandpaper and change gradually to finer and finer paper. Vacuum and wipe surface with a tack cloth between grit steps. Your sander is designed to sand into small or confined areas. Its small size and light weight make it ideal for overhead work.

If your sander has the dust collection feature, the rate at which the dust collection bag fills up will vary with the type of material being sanded and the coarseness of the sandpaper. For best results, empty the bag frequently. When sanding painted surfaces, (see the following for additional precautions when sanding paint) you may find that the sandpaper loads up and clogs with paint. A heat gun will work much better to remove paint before sanding. FOLLOW ALL SAFETY INSTRUCTIONS IN HEAT GUN INSTRUCTION MANUAL.

TROUBLESHOOTING

For assistance with your tool, visit our website at www.deltaportercable.com for a list of service centers, or call the PORTER-CABLE Customer Care Center at (888) 848-5175.

MAINTENANCE

▲WARNING: To reduce the risk of injury, turn unit off and disconnect it from power source before installing and removing accessories, before adjusting or when making repairs. An accidental start-up can cause injury.

▲WARNING: ALWAYS USE SAFETY GLASSES. Everyday eyeglasses are NOT safety glasses. Also use face or dust mask if cutting operation is dusty. ALWAYS wear certified safety equipment:

- ANSI Z87.1 eye protection (CAN/CSA Z94.3)
- ANSI S12.6 (S3.19) hearing protection
- NIOSH/OSHA/MSHA respiratory protection.

FIG. 1

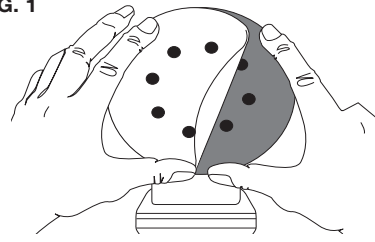


FIG. 2

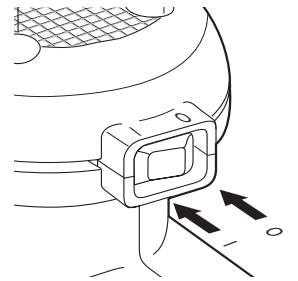


FIG. 3

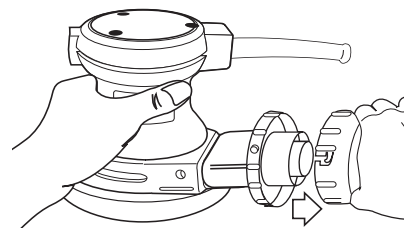


FIG. 4

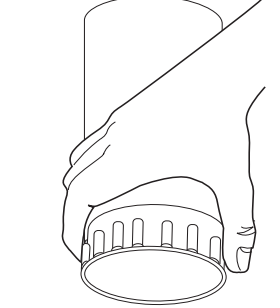


FIG. 5

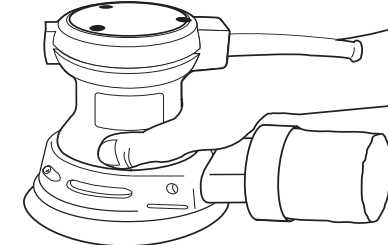


FIG. 6

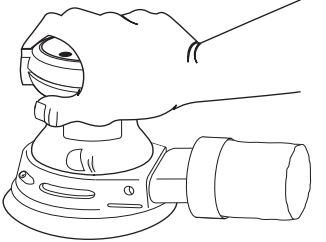


FIG. 7

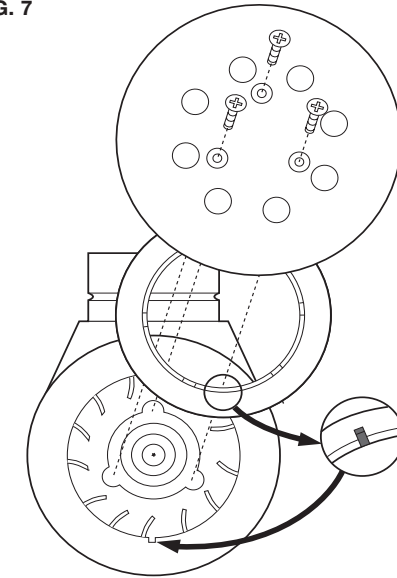


FIG. 8

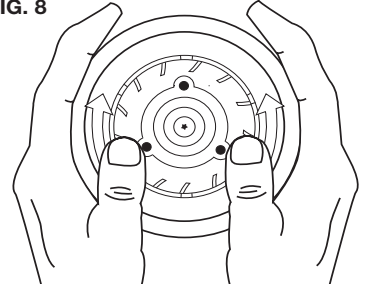


FIG. 9

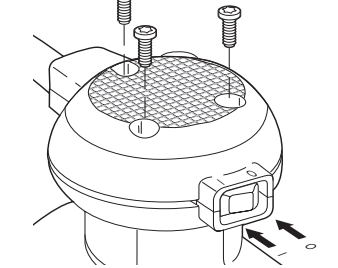
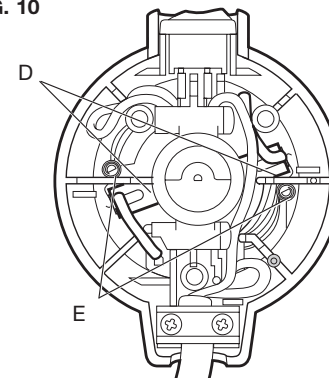


FIG. 10



REPAIRS

For assistance with your tool, visit our website at www.deltaportercable.com for a list of service centers, or call the PORTER-CABLE Customer Care Center at (888) 848-5175.

CLEANING

▲WARNING: Periodically blowing dust and chips out of the motor housing using clean, dry compressed air is a suggested maintenance procedure. To reduce the risk of serious personal injury, ALWAYS wear ANSI Z87.1 safety glasses while using compressed air.

▲WARNING: When cleaning, use only mild soap and a damp cloth on plastic parts. Many household cleaners contain chemicals which could seriously damage plastic. Also, do not use gasoline, turpentine, lacquer, paint thinner, dry cleaning fluids or similar products which may seriously damage plastic parts. NEVER let any liquid get inside the tool; NEVER immerse any part of the tool into a liquid.

FAILURE TO START

Should your tool fail to start, check to make sure the prongs on the cord plug are making good contact in the outlet. Also, check for blown fuses or open circuit breakers in the line.

TOOL CARE (FIG. 7, 8)

- Keep your sander as clean as possible by wiping with a clean cloth and blowing air through it after every 5 hours of use.
- As part of CFS (Controlled Finishing System), your sander is equipped with a replaceable disc which is located between the pad and the shroud. It is designed to increase the dust collection efficiency and control the pad speed while the unit is off the work. The disc is designed to be a consumable part and will occasionally need to be replaced. Replacement is necessary when the pad speed increases very dramatically when the unit is lifted from the work surface. To replace your CFS disc:
 - Turn off and unplug tool.
 - Remove 3 screws from the bottom of the pad.
 - Remove the pad.
 - Snap out worn disc.
 - Snap in new disc, aligning notch in disc with cut out in shroud shown in Fig. 7.
 - Press in new disc around the edges using both hands to ensure that the disc is inserted snugly into the shroud as shown in figure 8.
 - Replace the pad and the 3 screws.
- Avoid overloading your sander. Overloading will result in a considerable reduction in speed and finish quality of your work. The unit may also become hot. In this event, run sander at a no load condition for a minute or two.
- If you wrap the cord around the tool when you store it, leave a generous loop of cord such that the strain relief does not bend. This helps prevent premature cord failure.

BRUSH REPLACEMENT (FIG. 9, 10)

▲WARNING: To reduce the risk of injury, turn unit off and disconnect it from power source before installing and removing accessories, before adjusting or when making repairs. An accidental start-up can cause injury.

Follow these directions to replace the tool's brushes:

- Remove the three screws located in the top cap, as shown in figure 9.
- Lift off the top cap. Observe the brush holders (D) and wires leading from the brushes to the motor field, as shown in figure 10.
- Pull the wires from the motor field and then lift and hold out of the way of one of the brush springs (E).

5. Vuelva a colocar la tapa superior y apriete los tres tornillos que la sujetan. Sustituya siempre ambas escobillas.

LUBRICACIÓN

La herramienta incorpora cojinetes autolubrificantes, por lo que no es necesaria ninguna relubricación periódica. Sin embargo, se recomienda que una vez al año un centro de servicio proceda a una inspección y limpieza a fondo de la herramienta.

SERVICIO

PIEZAS DE REPUESTO

Utilice sólo piezas de repuesto idénticas. Para obtener una lista de las piezas o para solicitarlas, visite nuestro sitio Web en www.deltaportercableservicenet.com. También puede solicitar piezas en una de nuestras sucursales o centros de mantenimiento con garantía autorizados más cercanos, o llamando a End User Services (Servicios para el usuario final) al 1-888-848-5175. Todas las reparaciones realizadas en nuestros centros de mantenimiento están completamente garantizadas en relación con los materiales defectuosos y la mano de obra. No podemos otorgar garantías en relación con las reparaciones ni los intentos de reparación de otras personas.

MANTENIMIENTO Y REPARACIONES

Con el paso del tiempo, todas las herramientas de calidad requieren mantenimiento o reemplazo de las piezas. Para obtener información acerca de PORTER-CABLE y sus sucursales o para localizar un centro de mantenimiento con garantía autorizado, visite nuestro sitio Web en www.deltaportercable.com o llame a End User Services (Servicios para el usuario final) al 1-888-848-5175. Todas las reparaciones realizadas en nuestros centros de mantenimiento están completamente garantizadas en relación con los materiales defectuosos y la mano de obra. No podemos otorgar garantías en relación con las reparaciones ni los intentos de reparación de otras personas.

Asimismo, para obtener información puede escribirnos a PORTER-CABLE, 4825 Highway 45 North, Jackson, Tennessee 38305 - Attention: End User Services. Asegúrese de incluir toda la información mencionada en la placa de la herramienta (número de modelo, tipo, número de serie, código de fecha, etc.)

ACCESORIOS

▲ ADVERTENCIA: Debido a que no se han probado con este producto otros accesorios que no sean los que ofrece PORTER-CABLE, el uso de tales accesorios puede ser peligroso. Para un funcionamiento seguro, con este producto sólo deben utilizarse los accesorios recomendados por PORTER-CABLE.

Su proveedor de productos PORTER-CABLE, los Centros de mantenimiento de fábrica de PORTER-CABLE y los Centros de mantenimiento autorizados de PORTER-CABLE pueden suministrarle una línea completa de accesorios. Para obtener un catálogo o para conocer el nombre de su proveedor más cercano, visite nuestro sitio Web www.deltaportercable.com.

PÓLIZA DE GARANTÍA

IDENTIFICACIÓN DEL PRODUCTO:

Sello o firma del Distribuidor.Nombre del producto: _____
Mod./Cat.: _____ Marca: _____ Núm. de serie: _____ (Datos para ser llenados por el distribuidor)Fecha de compra y/o entrega del producto: _____ Nombre y domicilio del distribuidor donde se adquirió el producto: _____

Este producto está garantizado por tres años de garantía limitada a partir de la fecha de entrega, contra cualquier defecto en su funcionamiento, así como en materiales y mano de obra empleados para su fabricación. Nuestra garantía incluye la reparación o reposición del producto y/o componentes sin cargo alguno para el cliente, incluyendo mano de obra, así como los gastos de transportación razonablemente erogados derivados del cumplimiento de este certificado. Para hacer efectiva esta garantía deberá presentar su herramienta y esta póliza sellada por el establecimiento comercial donde se adquirió el producto, de no contar con ésta, bastará la factura de compra.

EXCEPCIONES

Esta garantía no será válida en los siguientes casos:

- Cuando el producto se hubiese utilizado en condiciones distintas a las normales;
- Cuando el producto no hubiese sido operado de acuerdo con el instructivo de uso que se acompaña;
- Cuando el producto hubiese sido alterado o reparado por personas distintas a las enlistadas al final de este certificado.

Anexo encontrará una relación de sucursales de servicio de fábrica, centros de servicio autorizados y franquiciados en la República Mexicana, donde podrá hacer efectiva su garantía y adquirir partes, refacciones y accesorios originales.

GARANTÍA LIMITADA POR TRES AÑOS

PORTER-CABLE reparará, sin cargo, cualquier falla que surja de defectos en el material o la fabricación del producto, por hasta tres años a contar de la fecha de compra. Esta garantía no cubre fallas de las piezas causadas por su desgaste normal o abuso a la herramienta. Para mayores detalles sobre la cobertura de la garantía e información acerca de reparaciones realizadas bajo garantía, visítenos en www.deltaportercable.com o diríjase al centro de servicio más cercano. Esta garantía no aplica a accesorios o a daños causados por reparaciones realizadas o intentadas por terceros. Esta garantía le otorga derechos legales específicos, además de los cuales puede tener otros dependiendo del estado o provincia en que se encuentre.

Además de la garantía, las herramientas PORTER-CABLE están cubiertas por:

1 AÑO DE SERVICIO GRATUITO: PORTER-CABLE mantendrá la herramienta y reemplazará las piezas gastadas por su uso normal, sin cobro, en cualquier momento durante un año a contar de la fecha de compra.

GARANTÍA DE REEMBOLSO DE SU DINERO POR 90 DÍAS: Si no está completamente satisfecho con el desempeño de su máquina herramienta o clavadora PORTER-CABLE, cualquiera sea el motivo, podrá devolverlo hasta 90 días de la fecha de compra con su recibo y obtener el reembolso completo de su dinero – sin necesidad de responder a ninguna pregunta.

AMÉRICA LATINA: Esta garantía no se aplica a los productos que se venden en América Latina. Para los productos que se venden en América Latina, debe consultar la información de la garantía específica del país que viene en el empaque, llamar a la compañía local o visitar el sitio Web a fin de obtener esa información.

Para registrar la herramienta para obtener el mantenimiento cubierto por la garantía, visite nuestro sitio web en www.deltaportercable.com.

REEMPLAZO DE LAS ETIQUETAS DE ADVERTENCIA

Si sus etiquetas de advertencia se vuelven ilegibles o faltan, llame al (888) 848-5175 para que se las reemplacen gratuitamente.

Mod. 382 Random Orbit Palm Sander

▲ WARNING TO REDUCE THE RISK OF INJURY USER MUST READ THE INSTRUCTION MANUAL. ALWAYS USE PROPER EYE AND RESPIRATORY PROTECTION. PORTER-CABLE, JACKSON, TN 38305 U.S.A.

▲ ADVERTENCIA PARA EL MANEJO SEGURO LEA EL MANUAL DE INSTRUCCIONES. SIEMPRE SE DEBERÁ LLEVAR LA PROTECCIÓN APROPIADA PARA LA VISTA Y PARA LAS VÍAS RESPIRATORIAS.

▲ AVERTISSEMENT À TITRE PRÉVENTIF. LIRE LE GUIDE. IL FAUT TOUJOURS PORTER DE L'ÉQUIPEMENT DE PROTECTION OCULAIRE ET RESPIRATOIRE APPROPRIÉ.

▲ ADVERTENCIA PARA EL MANEJO SEGURO LEA EL MANUAL DE INSTRUCCIONES. SIEMPRE SE DEBERÁ LLEVAR LA PROTECCIÓN APROPIADA PARA LA VISTA Y PARA LAS VÍAS RESPIRATORIAS.

▲ AVERTISSEMENT À TITRE PRÉVENTIF. LIRE LE GUIDE. IL FAUT TOUJOURS PORTER DE L'ÉQUIPEMENT DE PROTECTION OCULAIRE ET RESPIRATOIRE APPROPRIÉ.

▲ WARNING COLLECTED SANDING DUST FROM SANDING SURFACE COATINGS (POLYURETHANE, LINSEED OIL, ETC.) CAN SELF-IGNITE IN SANDER DUST CANISTER OR ELSEWHERE AND CAUSE FIRE. TO REDUCE RISK, EMPTY CANISTER FREQUENTLY AND STRICTLY FOLLOW SANDER MANUAL AND COATING MANUFACTURER'S INSTRUCTIONS.

▲ ADVERTENCIA EL POLVO ACUMULADO QUE SE PRODUCE AL LIJAR LOS REVESTIMIENTOS DE LAS SUPERFICIES (POLIURETANO, ACEITE DE LINO, ETC.) PUEDE INICIAR UNA COMBUSTIÓN ESPONTÁNEA DENTRO DEL DEPÓSITO DE ASERRIN DE LA LIJADORA O EN ALGÚN OTRO LUGAR Y OCASIONAR UN INCENDIO. PARA REDUCIR ESTE RIESGO, VACÍE EL DEPÓSITO REGULARMENTE Y SIGA ESTRUCTAMENTE LAS INSTRUCCIONES DEL MANUAL DE LA LIJADORA Y DEL FABRICANTE DEL REVESTIMIENTO.

▲ AVERTISSEMENT LA FARINE DE PONÇAGE RECUEILLE DES COUCHES DE PROTECTION (POLYURÉTHANNE, HUILE DE LIN, ETC.) PEUT S'ENFLAMMER SPONTANÉMENT DANS L'ABSORBEUR DE FARINE DE PONÇAGE OU AILLEURS ET CAUSER UN INCENDIE. POUR RÉDUIRE LES RISQUES, VIDER FRÉQUEMMENT L'ABSORBEUR ET SUIVRE STRICTEMENT LE MODE D'EMPLOI DE LA PONÇUSE AINSI QUE LES DIRECTIVES DU FABRICANT DE L'ENDUIT.

PARA REPARACIÓN Y SERVICIO DE SUS HERRAMIENTAS ELÉCTRICAS, FAVOR DE DIRIGIRSE AL CENTRO DE SERVICIO MÁS CERCANO

CULIACAN, SIN Blvd.Emiliano Zapata 5400-1 Poniente Col. San Rafael	(667) 717 89 99
GUADALAJARA, JAL Av. La Paz #1779 - Col. Americana Sector Juárez	(33) 3825 6978
MEXICO, D.F. Eje Central Lázaro Cárdenas No. 18 Local D, Col. Obrera	(55) 5588 9377
MERIDA, YUC Calle 63 #459-A - Col. Centro	(999) 928 5038
MONTERREY, N.L. Av. Francisco I. Madero 831 Poniente - Col. Centro	(818) 375 23 13
PUEBLA, PUE 17 Norte #205 - Col. Centro	(222) 246 3714
QUERETARO, QRO Av. San Roque 274 - Col. San Gregorio	(442) 2 17 63 14
SAN LUIS POTOSI, SLP Av. Universidad 1525 - Col. San Luis	(444) 814 2383
TORREON, COAH Blvd. Independencia, 96 Pte. - Col. Centro	(871) 716 5265
VERACRUZ, VER Prolongación Díaz Mirón #4280 - Col. Remes	(229) 921 7016
VILLAHERMOSA, TAB Constitución 516-A - Col. Centro	(993) 312 5111

PARA OTRAS LOCALIDADES:

Si se encuentra en México, por favor llame al (55) 5326 7100

Si se encuentra en U.S., por favor llame al (888) 848-5175

ESPECIFICACIONES MODEL 382

Tension de alimentación:	120 V CA~
Frecuencia de operación:	50/60 Hz
Consumo de corriente:	1,9 A
Órbitas por minuto	n _o 12 000 (opm)

SOLAMENTE PARA PROPÓSITO DE MÉXICO:
IMPORTADO POR: PORTER-CABLE S.A. DE C.V.
BOSQUES DE CIDROS, ACCESO RADIATAS NO.42
3A. SECCIÓN DE BOSQUES DE LAS LOMAS
DELEGACIÓN CUAJIMALPA,
05120, MÉXICO, D.F.
TEL. (52) 555-326-7100
R.F.C.: BDE810626-1W7

Para servicio y ventas consulte "HERRAMIENTAS ELÉCTRICAS" en la sección amarilla.



The following are PORTER-CABLE trademarks for one or more power tools and accessories: a gray and black color scheme; a ♦ "four point star" design; and three contrasting/outlined longitudinal stripes. The following are also trademarks for one or more PORTER-CABLE and Delta products: Les éléments ci-dessous sont des marques de commerce des outils et des accessoires de PORTER-CABLE : un agencement de couleurs grise et noire; un motif d' « étoile à quatre pointes » ♦ et trois bandes longitudinales contrastantes/à contours. Les marques suivantes sont également des marques de commerce se rapportant à un ou plusieurs produits PORTER-CABLE ou Delta : Les suivantes son marcas comerciales PORTER-CABLE que distinguen a una o más herramientas y accesorios: un gráfico de color gris y negro; un diseño de ♦ "estrella de cuatro puntas" y tres franjas longitudinales contrastantes/delineadas. Las siguientes también son marcas comerciales para uno o más productos de PORTER-CABLE y Delta: 2 BY 4®, 890™, Air America®, AIRBOSS™, Auto-Set®, B.O.S.S.®, Bammer®, Biesemeyer®, Builders Saw®, Charge Air®, Charge Air Pro®, CONTRACTOR SUPERDUTY®, Contractor's Saw®, Delta®, DELTA®, Delta Industrial®, DELTA MACHINERY & DESIGN™, Delta Shopmaster and Design®, Delta X5®, Deltacraft®, DELTAGRAM®, Do It. Feel It®, DUAL LASERLOC AND DESIGN®, EASY AIR®, EASY AIR TO GO™, ENDURADIAMOND®, Ex-Cell®, Front Bevel Lock®, Get Yours While the Sun Shines®, Grip to Fit®, GRIPVAC™, GTF®, HICKORY WOODWORKING®, Homecraft®, HP FRAMER HIGH PRESSURE®, IMPACT SERIES™, Innovation That Works®, Jet-Lock®, Job Boss®, Kickstand®, LASERLOC®, LONG-LASTING WORK LIFE®, MAX FORCE™, MAX LIFE®, Micro-Set®, Midi-Lathe®, Monsoon®, MONSTER-CARBIDE™, Network®, OLDHAM®, Omnijig®, PC EDGE®, Performance Crew™, Performance Gear®, Pocket Cutter®, Porta-Band®, Porta-Plane®, Porter Cable®, PORTER-CABLE Professional Power Tools®, Powerback®, POZI-STOP™, Pressure Wave®, PRO 4000®, Proair®, Quicksand and Design®, Quickset II®, QUIET DRIVE TECHNOLOGY™, QUIET DRIVE TECHNOLOGY AND DESIGN™, Quik-Change®, QUIK-TILT®, RAPID-RELEASE™, RAZOR®, Redefining Performance®, Riptide®, Safe Guard II®, Sand Trap and Design®, Sanding Center®, Saw Boss®, Shop Boss®, Sidekick®, Site Boss®, Speed-Bloc®, Speedmatic®, Stair Ease®, Steel Driver Series®, SUPERDUTY®, T4 & DESIGN®, THE AMERICAN WOODSHOP®, THE PROFESSIONAL EDGE®, Thin-Line®, Tiger Saw®, TIGERCLAW®, TIGERCLAW AND DESIGN®, Torq-Buster®, TRU-MATCH®, T-Square®, Twinlaser®, Unifence®, Uniguard®, UNIRIP®, UNISAW®, UNITED STATES SAW® Veri-Set®, Versa-Feeder®, VIPER®, VT™, VT RAZOR™, Water Driver®, WATER VROOM®, Waveform®, Whisper Series®, X5®, YOUR ACHIEVEMENT. OUR TOOLS.®

Trademarks noted with ® are registered in the United States Patent and Trademark Office and may also be registered in other countries. Other trademarks may apply. Les marques de commerce suivies du symbole ® sont enregistrées auprès du United States Patent and Trademark Office et peuvent être enregistrées dans d'autres pays. D'autres marques de commerce peuvent également être applicables. Las marcas comerciales con el símbolo ® están registradas en la Oficina de patentes y marcas comerciales de Estados Unidos (United States Patent and Trademark Office), y también pueden estar registradas en otros países. Posiblemente se apliquen otras marcas comerciales registradas.

PORTER CABLE

4825 Highway 45 North
Jackson, TN 38305

(888) 848-5175

www.deltaportercable.com