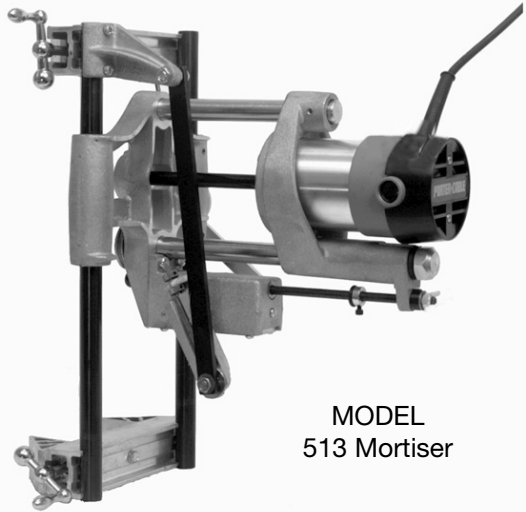


Instruction manual

Lock Mortiser and Lock Face Templet



MODEL
513 Mortiser



MODEL 517 Lock Face Templet

IMPORTANT

Please make certain that the person who is to use this equipment carefully reads and understands these instructions before starting operations.

The Model and Serial No. plate is located on the main housing of the tool. Record these numbers in the spaces below and retain for future reference.

Model No. _____

Type _____

Serial No. _____

To learn more about Porter-Cable
visit our website at:

<http://www.porter-cable.com>

PORTER-CABLE
PROFESSIONAL POWER TOOLS

Copyright © 2005 Porter-Cable Corporation

TABLE OF CONTENTS

IMPORTANT SAFETY INSTRUCTIONS	2
SAFETY GUIDELINES	3
GENERAL SAFETY RULES	4
ADDITIONAL SPECIFIC SAFETY RULES	6
CARTON CONTENTS	8
FUNCTIONAL DESCRIPTION	8
ASSEMBLY	8
OPERATION	9
TROUBLESHOOTING	15
MAINTENANCE	15
SERVICE	16
ACCESSORIES	16
WARRANTY	16
ESPAÑOL	17
FRANÇAISE	35
SERVICE CENTER LOCATIONS	back cover

IMPORTANT SAFETY INSTRUCTIONS

⚠ WARNING Read and understand all warnings and operating instructions before using any tool or equipment. When using tools or equipment, basic safety precautions should always be followed to reduce the risk of personal injury. Improper operation, maintenance or modification of tools or equipment could result in serious injury and property damage. There are certain applications for which tools and equipment are designed. Porter-Cable strongly recommends that this product NOT be modified and/or used for any application other than for which it was designed.

If you have any questions relative to its application DO NOT use the product until you have written Porter-Cable and we have advised you.

Online contact form at www.porter-cable.com

Postal Mail: Technical Service Manager
Porter-Cable Corporation
4825 Highway 45 North
Jackson, TN 38305

Information regarding the safe and proper operation of this tool is available from the following sources:

Power Tool Institute

1300 Sumner Avenue, Cleveland, OH 44115-2851

www.powertoolinstitute.org

National Safety Council

1121 Spring Lake Drive, Itasca, IL 60143-3201

American National Standards Institute, 25 West 43rd Street, 4 floor, New York, NY 10036 www.ansi.org ANSI 01.1 Safety Requirements for Woodworking Machines, and the U.S. Department of Labor regulations www.osha.gov

SAVE THESE INSTRUCTIONS!

SAFETY GUIDELINES - DEFINITIONS

It is important for you to read and understand this manual. The information it contains relates to protecting YOUR SAFETY and PREVENTING PROBLEMS. The symbols below are used to help you recognize this information.



▲ DANGER

indicates an imminently hazardous situation which, if not avoided, will result in death or serious injury.

▲ WARNING

indicates a potentially hazardous situation which, if not avoided, could result in death or serious injury.

▲ CAUTION

indicates a potentially hazardous situation which, if not avoided, may result in minor or moderate injury.

CAUTION

used without the safety alert symbol indicates a potentially hazardous situation which, if not avoided, may result in property damage.

CALIFORNIA PROPOSITION 65

▲ WARNING

Some dust created by power sanding, sawing, grinding, drilling, and other construction activities contains chemicals known (to the State of California) to cause cancer, birth defects or other reproductive harm. Some examples of these chemicals are:

- lead from lead-based paints
- crystalline silica from bricks and cement and other masonry products
- arsenic and chromium from chemically-treated lumber

Your risk from these exposures varies, depending on how often you do this type of work. To reduce your exposure to these chemicals: work in a well ventilated area, and work with approved safety equipment, always wear NIOSH/OSHA approved, properly fitting face mask or respirator when using such tools.

GENERAL SAFETY RULES

▲ WARNING Read all instructions. Failure to follow all instructions listed below may result in electric shock, fire and/or serious injury. The term "power tool" in all of the warnings listed below refers to your mains-operated (corded) power tool or battery-operated (cordless) power tool.



SAVE THESE INSTRUCTIONS

1) Work area safety

- a) **Keep work area clean and well lit.** Cluttered or dark areas invite accidents.
- b) **Do not operate power tools in explosive atmospheres, such as in the presence of flammable liquids, gases or dust.** Power tools create sparks which may ignite the dust or fumes.
- c) **Keep children and bystanders away while operating a power tool.** Distractions can cause you to lose control.

2) Electrical safety

- a) **Power tool plugs must match the outlet. Never modify the plug in any way. Do not use any adapter plugs with earthed (grounded) power tools.** Unmodified plugs and matching outlets will reduce risk of electric shock.
- b) **Avoid body contact with earthed or grounded surfaces such as pipes, radiators, ranges and refrigerators.** There is an increased risk of electric shock if your body is earthed or grounded.
- c) **Do not expose power tools to rain or wet conditions.** Water entering a power tool will increase the risk of electric shock.
- d) **Do not abuse the cord. Never use the cord for carrying, pulling or unplugging the power tool. Keep cord away from heat, oil, sharp edges or moving parts.** Damaged or entangled cords increase the risk of electric shock.
- e) **When operating a power tool outdoors, use an extension cord suitable for outdoor use.** Use of a cord suitable for outdoor use reduces the risk of electric shock.

3) Personal safety

- a) **Stay alert, watch what you are doing and use common sense when operating a power tool. Do not use a power tool while you are tired or under the influence of drugs, alcohol or medication.** A moment of inattention while operating power tools may result in serious personal injury.
- b) **Use safety equipment. Always wear eye protection.** Safety equipment such as dust mask, non-skid safety shoes, hard hat, or hearing protection used for appropriate conditions will reduce personal injuries.
- c) **Avoid accidental starting. Ensure the switch is in the off-position before plugging in.** Carrying power tools with your finger on the switch or plugging in power tools that have the switch on invites accidents.

GENERAL SAFETY RULES continued

- d) **Remove any adjusting key or wrench before turning the power tool on.** A wrench or a key left attached to a rotating part of the power tool may result in personal injury.
- e) **Do not overreach. Keep proper footing and balance at all times.** This enables better control of the power tool in unexpected situations.
- f) **Dress properly. Do not wear loose clothing or jewelry. Keep your hair, clothing and gloves away from moving parts.** Loose clothes, jewelry or long hair can be caught in moving parts.
- g) **If devices are provided for the connection of dust extraction and collection facilities, ensure these are connected and properly used.** Use of these devices can reduce dust-related hazards.

4) Power tool use and care

- a) **Do not force the power tool. Use the correct power tool for your application.** The correct power tool will do the job better and safer at the rate for which it was designed.
- b) **Do not use the power tool if the switch does not turn it on and off.** Any power tool that cannot be controlled with the switch is dangerous and must be repaired.
- c) **Disconnect the plug from the power source before making any adjustments, changing accessories, or storing power tools.** Such preventive safety measures reduce the risk of starting the power tool accidentally.
- d) **Store idle power tools out of the reach of children and do not allow persons unfamiliar with the power tool or these instructions to operate the power tool.** Power tools are dangerous in the hands of untrained users.
- e) **Maintain power tools. Check for misalignment or binding of moving parts, breakage of parts and any other condition that may affect the power tools operation. If damaged, have the power tool repaired before use.** Many accidents are caused by poorly maintained power tools.
- f) **Keep cutting tools sharp and clean.** Properly maintained cutting tools with sharp cutting edges are less likely to bind and are easier to control.
- g) **Use the power tool, accessories and tool bits etc., in accordance with these instructions and in the manner intended for the particular type of power tool, taking into account the working conditions and the work to be performed.** Use of the power tool for operations different from those intended could result in a hazardous situation.

5) Service

- a) **Have your power tool serviced by a qualified repair person using only identical replacement parts.** This will ensure that the safety of the power tool is maintained.

ADDITIONAL SPECIFIC SAFETY RULES





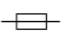
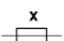


1. **Hold tool by insulated gripping surfaces when performing an operation where the cutting tools may contact hidden wiring or its own cord.** Contact with a “live” wire will make exposed metal parts of the tool “live” and shock the operator.
2. **⚠ CAUTION DO NOT OPERATE MOTOR UNIT UNLESS MOUNTED IN LOCK MORTISER CARRIAGE.**
3. **Be sure cord is free and will not “hang up” during operations.**
4. **Keep hands clear of cutter when motor is running to prevent personal injury.**
5. **Stay alert and keep cutter clear of all foreign objects while motor is running.**
6. **Be sure motor has completely stopped before withdrawing cutter from machined mortise.**
7. **Accessories must be rated for at least the speed recommended on the tool warning label.** Wheels and other accessories running over rated speed can fly apart and cause injury.
8. **Wear eye and hearing protection. Always use safety glasses.** Everyday eyeglasses are NOT safety glasses. USE CERTIFIED SAFETY EQUIPMENT. Eye protection equipment should comply with ANSI Z87.1 standards. Hearing equipment should comply with ANSI S3.19 standards.
9. **⚠ WARNING Use of this tool can generate and disburse dust or other airborne particles, including wood dust, crystalline silica dust and asbestos dust.** Direct particles away from face and body. Always operate tool in well ventilated area and provide for proper dust removal. Use dust collection system wherever possible. Exposure to the dust may cause serious and permanent respiratory or other injury, including silicosis (a serious lung disease), cancer, and death. Avoid breathing the dust, and avoid prolonged contact with dust. Allowing dust to get into your mouth or eyes, or lay on your skin may promote absorption of harmful material. Always use properly fitting NIOSH/OSHA approved respiratory protection appropriate for the dust exposure, and wash exposed areas with soap and water.

SYMBOL

DEFINITION

V	volts
A	amperes
Hz	hertz
W	watts
kW	kilowatts
F	farads
μF	microfarads
l	litres
g	grams
kg	kilograms
bar	bars
Pa	pascals
h	hours
min	minutes
s	seconds
n_0	no-load speed
.../min or ...min ⁻¹	Revolutions or reciprocations per minute
or d.c.	direct current
or a.c.	alternating current

SAVE THESE INSTRUCTIONS!

- 2  two-phase alternating current
- 2N  two-phase alternating current with neutral
- 3  three-phase alternating current
- 3N  three-phase alternating current with neutral
-  A rated current of the appropriate fuse-link in amperes
-  X time-lag miniature fuse-link where X is the symbol for the time/current characteristic, as given in IEC 60127
-  protective earth
-  class II tool
- IPXX IP symbol

MOTOR

Many Porter-Cable tools will operate on either D.C., or single phase 25 to 60 cycle A.C. current and voltage within plus or minus 5 percent of that shown on the specification plate on the tool. Several models, however, are designed for A.C. current only. Refer to the specification plate on your tool for proper voltage and current rating.

CAUTION Do not operate your tool on a current on which the voltage is not within correct limits. Do not operate tools rated A.C. only on D.C. current. To do so may seriously damage the tool.

EXTENSION CORD SELECTION

If an extension cord is used, make sure the conductor size is large enough to prevent excessive voltage drop which will cause loss of power and possible motor damage. A table of recommended extension cord sizes will be found in this section. This table is based on limiting line voltage drop to 5 volts (10 volts for 230 volts) at 150% of rated amperes.

If an extension cord is to be used outdoors, it must be marked with the suffix W-A or W following the cord type designation. For example – SJTW-A to indicate it is acceptable for outdoor use.

RECOMMENDED EXTENSION CORD SIZES FOR USE WITH PORTABLE ELECTRIC TOOLS

		Length of Cord in Feet									
		115V	25 Ft.	50 Ft.	100 Ft.	150 Ft.	200 Ft.	250 Ft.	300 Ft.	400 Ft.	500 Ft.
		230V	50 Ft.	100 Ft.	200 Ft.	300 Ft.	400 Ft.	500 Ft.	600 Ft.	800 Ft.	1000 Ft.
Nameplate Ampere Rating	0-2	18	18	18	16	16	14	14	12	12	10
	2-3	18	18	16	16	14	14	12	12	10	10
	3-4	18	18	16	14	14	12	12	10	10	8
	4-5	18	18	14	12	12	10	10	8	8	8
	5-6	18	16	14	12	10	10	8	8	6	6
	6-8	18	16	12	10	10	8	6	6	4	4
	8-10	18	14	12	10	8	8	6	6	4	4
	10-12	16	14	10	8	8	6	6	4	4	2
	12-14	16	12	10	8	6	6	4	4	2	2
	14-16	16	12	10	8	6	4	4	2	2	2
	16-18	14	12	8	8	6	4	4	2	2	2
	18-20	14	12	8	6	6	4	4	2	2	2

SAVE THESE INSTRUCTIONS!

CARTON CONTENTS

- * Four height rod sections
- * Two cutting bits
- * Open end wrench
- * Two flat washers
- * Two cap screws
- * Allen Wrench
- * Motor unit
- * Mortiser frame

FUNCTIONAL DESCRIPTION

FOREWORD

Model 513 Lock Mortiser permits builders and contractors to quickly cut true, accurate mortises for door box locks.

Model 517 Lock Face Templet allows quick and economical routing for lock faces on doors after the mortise cut for the lock itself has been completed.

ASSEMBLY

ASSEMBLY TOOLS REQUIRED - Allen wrench (supplied)

ASSEMBLY TIME ESTIMATE 15 to 30 minutes

STANDARD EQUIPMENT

With the mortiser, the four sections of the height rod (A), and two bits (B) are furnished. See Fig. 1.

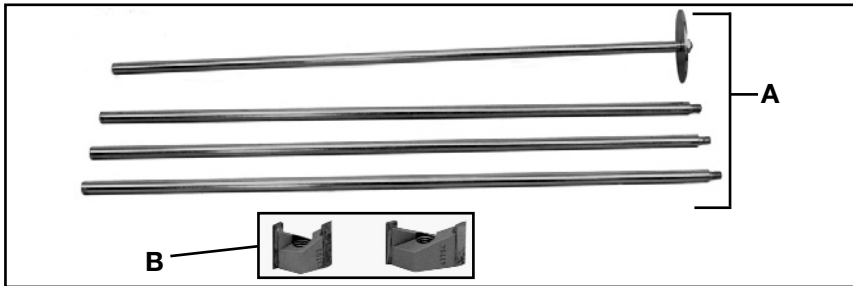


Fig. 1

ASSEMBLY OF BASE UNIT

The unit is shipped with the crank handle disassembled.

Remove bolt and washer (B and C) Fig. 2. Place crank handle (D) onto crank shaft (A) with wooden knob facing outward and “D”-shaped hole in handle aligned with flat on shaft. Place bolt (C) through washer (B) and thread into shaft (A). Tighten securely.

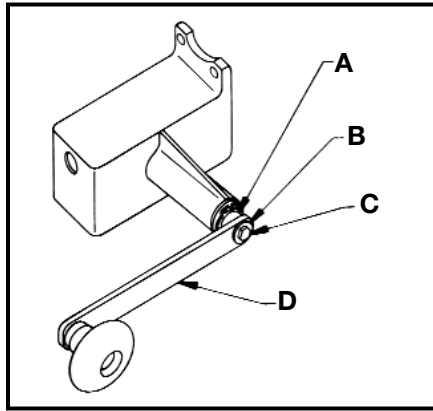


Fig. 2

ASSEMBLY OF MOTOR UNIT

⚠ WARNING DISCONNECT TOOL FROM POWER SOURCE.

1. Open hardware package and locate: two cap screws, two flat washers, and $\frac{5}{32}$ " (4.0 mm) allen wrench. Place washers onto cap screws.
2. Insert splined cutter shaft (see Fig. 3) through motor carriage (L) and into the spiral grooved bushing (M) in the main frame (N). Orient motor as shown in Fig. 8 and seat into motor carriage.
3. Insert the two screw and washer assemblies (from Step 1) through motor carriage (see Fig. 4) and thread into the threaded holes in motor housing. Tighten securely with allen wrench.

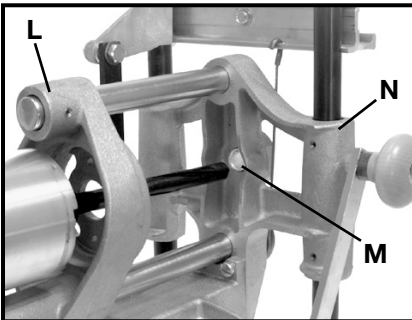


Fig. 3

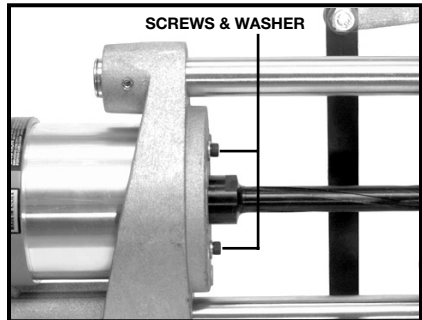


Fig. 4

OPERATION

DETERMINE WIDTH OF CUT

Measure the width of the lock box at its widest point, including any protruding parts. DO NOT INCLUDE THE LOCK FACE. Select a cutter equal to, or slightly larger than this width.

- Example: 1) Overall width of lock box – $\frac{31}{32}$ " (24.6 mm) – Use
PORTER-CABLE #43704PC 1" (25.4 mm) diameter bit.
- 2) Overall width of lock box – $\frac{3}{4}$ " (19.1 mm) – Use
PORTER-CABLE #43703PC $\frac{3}{4}$ " (19.1 mm) diameter bit.

Various sizes of bits are available as accessories.

⚠ WARNING **DISCONNECT TOOL FROM POWER SOURCE** and exercise extreme care when handling cutter to avoid bodily injury or damage to cutting edge.

Thread selected bit onto end of splined cutter shaft and tighten securely.

DETERMINING LENGTH OR HEIGHT OF CUT

Measure the height of the lock box (see Fig. 5) including any protruding parts. **DO NOT INCLUDE THE LOCK FACE.**

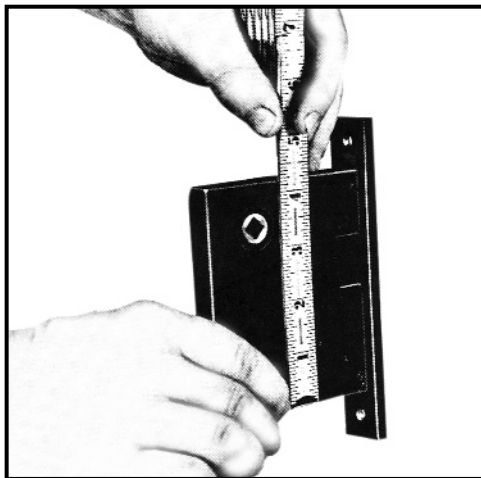


Fig. 5

SETTING MORTISER FOR LENGTH OF CUT

⚠ WARNING **DISCONNECT TOOL FROM POWER SOURCE.**

See Fig. 6 to set mortiser for length of cut. Loosen crank pin nut (T) and turn adjusting knob (U) until the correct graduation mark on the slide lines up with the line on crank pin indicating washer. If it is difficult to turn the adjusting knob (U), turn the crank (E) Fig. 8, until most of the tension is relieved. Tighten crank pin nut (T), Fig. 6, securely.

EXAMPLE: If the mortise is to be 4" (101.6 mm) long, turn adjusting knob (U) until the Fig. 4 graduation mark lines up with the line on the crank pin indicating washer.

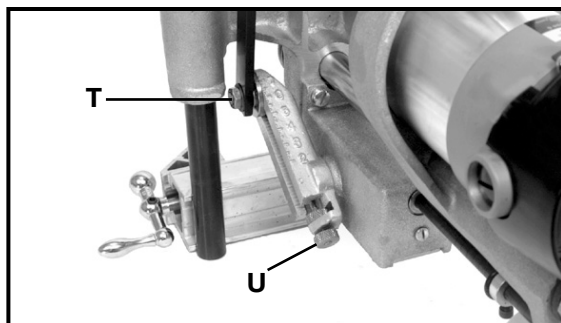


Fig. 6

SETTING MORTISER FOR DEPTH OF CUT

⚠ WARNING DISCONNECT TOOL FROM POWER SOURCE.

Measure the lock box at its deepest part, including the thickness of the lock face, and add $\frac{1}{4}$ " (6.4 mm) to this dimension for clearance. The depth of cut is controlled by the feed rod (W) Fig. 7 which is marked in $\frac{1}{4}$ " (6.4 mm) increments. Loosen the collar (X) and move it to the determined depth requirement and lock in place.

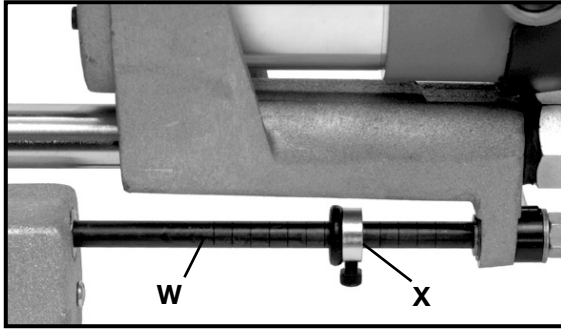


Fig. 7

MAKING TRIAL CUT

After the mortiser (see Fig. 8) has been set up according to the preceding instructions, it is strongly recommended that a trial cut be made in the following manner to insure fit of lock box.

1. Clamp a length of 2" x 6" (50.8 x 152.4 mm), or larger, lumber in vise, or fasten it securely to a work bench, in an upright position.

⚠ WARNING DISCONNECT TOOL FROM POWER SOURCE.

2. Move feed lever (A) to horizontal position (as shown in Fig. 8) and pull motor carriage (B) to end of guide rod (C).

3. Place the mortiser against edge of the 2" x 6" (50.8 x 152.4 mm) so that the clamps are firmly seated and crank (E) is free to revolve completely around. Tighten clamp handles (D) securely to hold mortiser in position.

4. Move feed lever (A) to vertical position to engage feed mechanism.

⚠ WARNING MAKE SURE MOTOR SWITCH IS IN THE OFF POSITION.

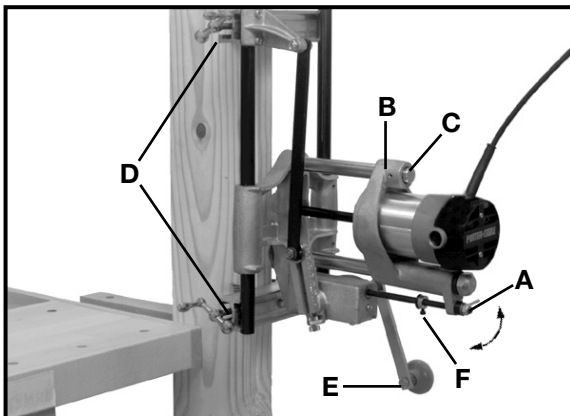


Fig. 8

5. Connect mortiser to power source.
6. Turn motor switch **ON** and rotate crank (E) until collar (F) hits feed housing, stopping depth of cut and completing mortise.
7. Turn motor **OFF**.

⚠ WARNING DISCONNECT TOOL FROM POWER SOURCE.

8. Move feed lever (A) to horizontal position to disengage feed mechanism.
9. Grasp motor carriage (B), Fig. 9, with both hands and pull towards you until bit is clear of cut mortise. Remove mortiser from 2" × 6" (50.8 × 152.4 mm).
10. Clean all chips from cut and try lock box for fit. If necessary, readjust mortiser as required and make another trial cut.

NOTE: Be sure the length of the mortise has not removed stock required for the two screws that retain the lock box to the door.

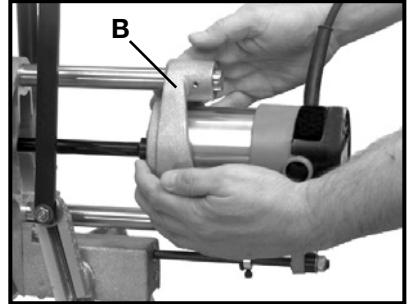


Fig. 9

MORTISING A DOOR

After trial cut has been made resulting in a satisfactory fit for the lock box, the door should be mortised in the following manner.

1. Place door in an upright position and anchor securely. If door is hung, use wedges under bottom of door to keep it from moving.
2. Place lock box against side of door so that the door knob will be the desired distance from the floor.
3. Make a mark on the side of the door at the top of the lock box (See Fig. 10). Transfer this mark to the front edge of the door.
4. Draw a line $\frac{3}{8}$ " (9.5 mm) above this mark across the front edge of the door. This is required for clearance for the radius of the cutter. **NOTE:** The actual clearance may be determined from the lock box and the trial cut in the 2" × 6" (50.8 × 152.4 mm). This clearance may be used in place of $\frac{3}{8}$ " (9.5 mm).

⚠ WARNING DISCONNECT TOOL FROM POWER SOURCE.

5. Turn mortiser crank handle until the bit is in the top most position.
6. Place the mortiser on the door so that the top edge of the bit just touches the line drawn on edge of the door.
7. Mortise door in the same manner as outlined under MAKING A TRIAL CUT.

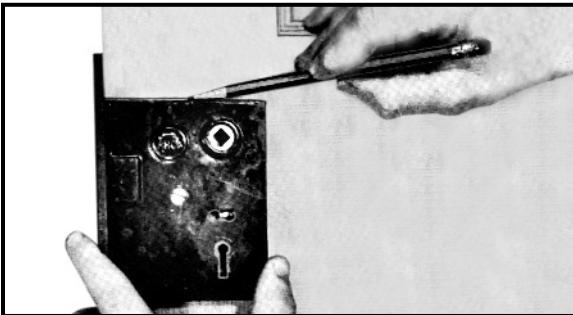


Fig. 10

PRODUCTION LOCK MORTISING

If you have a number of doors with the locks at the same height, the height rod attachment (see Fig. 11) will be of great value. After you have determined the height you want, and have the lock mortiser in position on the first door, assemble the four rods that compose the height rod attachment. Insert the rods in the mortiser and place the height rod stop (G) on the top of the rod so it rests on the top of the door. Lock the height rod screws, (H) Fig. 11A. To locate the mortiser on the next door, simply place the mortiser on the door with the height rod stop resting on the top of the door and tighten the clamps. This will assure having all locks located in the same position.



Fig. 11

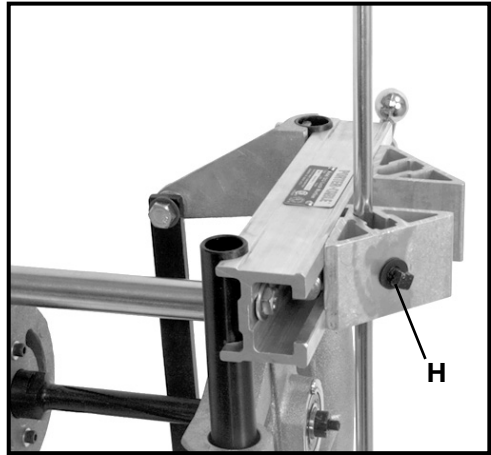


Fig. 11A

MODEL 517 LOCK FACE TEMPLET

REQUIRED EQUIPMENT

Equipment required for use with Router and Lock Face Templet.

42024 Templet Guide (included)

42237 Locknut (Included)

43440PC 5/8" (15.9 mm) Diameter Straight Bit (not included)

SETTING UP TEMPLET

1. Loosen locking screw (A), Fig. 12.
2. Adjust side guides (C), Fig. 12, so the space between them is 1/8" (3.2 mm) wider than the lock face.
3. Firmly tighten screw (A).
4. Loosen locking screw (D), Fig. 12.
5. Adjust guide bar (E), Fig. 12, distance between (E) and (B) is 1/8" (3.2 mm) longer than the lock face.
6. Firmly tighten screw (D).

LOCATING TEMPLLET ON DOOR

1. Draw a line across the door edge at the center of the mortise cut for the lock.
2. Draw line (F), Fig. 12, on the templet side guides (C), midway between bars (B) and (E).
3. Position templet on door so line (F) on templet matches line drawn on the door edge at the center of the mortise cut.
4. Tighten the two wing screws (G), Fig. 12 to lock templet in place.

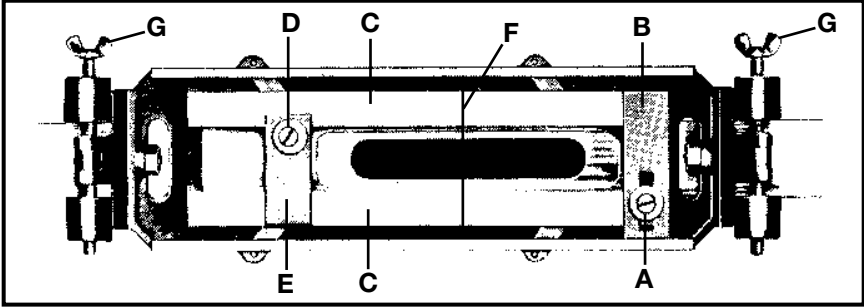


Fig. 12

PREPARING ROUTER

⚠ WARNING DISCONNECT ROUTER FROM POWER SOURCE.

1. Assemble 42024 templet guide to router base with 42237 lock nut.
2. Install bit in router collet.
3. Set router on lock face templet and adjust depth of cut so bit just touches door.
4. Set router depth adjusting ring to zero position.
5. Lift router from templet and adjust depth of cut equal to thickness of lock face.
6. Firmly tighten motor locking device.

MAKING THE CUT

⚠ WARNING MAKE SURE ROUTER SWITCH IS IN THE "OFF" POSITION.

1. Connect router cord to power source.
2. Start router and mortise door for lock face, guiding the router by keeping the templet guide against the templet guide bars.
3. A corner chisel 42234 is available as an accessory for squaring the corners for the lock face.

FINISHED MORTISE

Fig. 13 shows how the mortise will look when completed. The cut is smooth and even and the lock box may be inserted with no further hand work. In Fig. 13 the lock face templet has been used and the corner chisel has squared the corners, assuring a perfect fit.

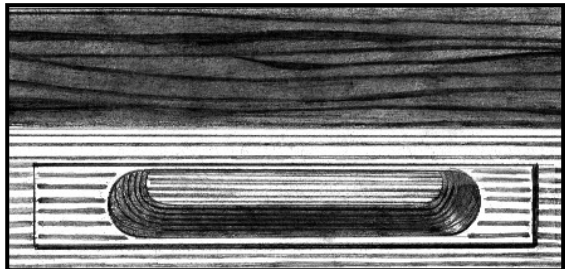


Fig. 13

TROUBLESHOOTING

For assistance with your tool, visit our website at www.porter-cable.com for a list of service centers or call the Porter-Cable help line at 1-800-487-8665.

MAINTENANCE

KEEP TOOL CLEAN

Keep the mortiser attachment free of dust and dirt, especially the vertical tubes on which the main frame slides. Periodically blow out all air passages with dry compressed air. All plastic parts should be cleaned with a soft damp cloth. NEVER use solvents to clean plastic parts. They could possibly dissolve or otherwise damage the material.

▲ WARNING Wear ANSI Z87.1 safety glasses while using compressed air.

FAILURE TO START

Should your tool fail to start, check to make sure the prongs on the cord plug are making good contact in the outlet. Also, check for blown fuses or open circuit breakers in the line.

MORTISER LUBRICATION

A few drops of oil applied with an oil rag is advisable once every day or two on the vertical tubes.

NOTE: DO NOT OIL THE SPLINED CUTTER SHAFT

It is advisable to apply a few drops of bearing oil to each end of the crank every day or two.

BRUSH INSPECTION (If applicable)

For your continued safety and electrical protection, brush inspection and replacement on this tool should ONLY be performed by an AUTHORIZED PORTER-CABLE SERVICE STATION or a PORTER-CABLE•DELTA FACTORY SERVICE CENTER.

At approximately 100 hours of use, take or send your tool to your nearest authorized Porter-Cable Service Station to be thoroughly cleaned and inspected. Have worn parts replaced and lubricated with fresh lubricant. Have new brushes installed, and test the tool for performance.

Any loss of power before the above maintenance check may indicate the need for immediate servicing of your tool. DO NOT CONTINUE TO OPERATE TOOL UNDER THIS CONDITION. If proper operating voltage is present, return your tool to the service station for immediate service.

SERVICE

REPLACEMENT PARTS

When servicing use only identical replacement parts. For a service parts list or to learn more about Porter-Cable visit our website at www.porter-cable.com

SERVICE AND REPAIRS

All quality tools will eventually require servicing, or replacement of parts due to wear from normal use. For assistance with your tool, visit our website at www.porter-cable.com for a list of service centers or call the Customer Care Department at **1-800-487-8665**. All repairs made by our service centers are fully guaranteed against defective material and workmanship. We cannot guarantee repairs made or attempted by others.

Should you have any questions about your tool, feel free to write us at any time. In any communications, please give all information shown on the nameplate of your tool (model number, type, serial number, etc.).

ACCESSORIES

A complete line of accessories is available from your Porter-Cable•Delta Supplier, Porter-Cable•Delta Factory Service Centers, and Porter-Cable Authorized Service Stations. Please visit our Web Site www.porter-cable.com for a catalog or for the name of your nearest supplier.

⚠ WARNING Since accessories other than those offered by Porter-Cable•Delta have not been tested with this product, use of such accessories could be hazardous. For safest operation, only Porter-Cable•Delta recommended accessories should be used with this product.

WARRANTY

PORTER-CABLE LIMITED ONE YEAR WARRANTY

Porter-Cable warrants its Professional Power Tools for a period of one year from the date of original purchase. We will repair or replace at our option, any part or parts of the product and accessories covered under this warranty which, after examination, proves to be defective in workmanship or material during the warranty period. For repair or replacement return the complete tool or accessory, transportation prepaid, to your nearest Porter-Cable Service Center or Authorized Service Station. Proof of purchase may be required. This warranty does not apply to repair or replacement required due to misuse, abuse, normal wear and tear or repairs attempted or made by other than our Service Centers or Authorized Service Stations.

ANY IMPLIED WARRANTY, INCLUDING THE IMPLIED WARRANTIES OF MERCHANTABILITY AND FITNESS FOR A PARTICULAR PURPOSE, WILL LAST ONLY FOR ONE (1) YEAR FROM THE DATE OF PURCHASE.

To obtain information on warranty performance please write to: PORTER-CABLE CORPORATION, 4825 Highway 45 North, Jackson, Tennessee 38305; Attention: Product Service. THE FOREGOING OBLIGATION IS PORTER-CABLE'S SOLE LIABILITY UNDER THIS OR ANY IMPLIED WARRANTY AND UNDER NO CIRCUMSTANCES SHALL PORTER-CABLE BE LIABLE FOR ANY INCIDENTAL OR CONSEQUENTIAL DAMAGES. Some states do not allow limitations on how long an implied warranty lasts or the exclusion or limitation of incidental or consequential damages, so the above limitation or exclusion may not apply to you.

This warranty gives you specific legal rights and you may also have other legal rights which vary from state to state.

PORTER-CABLE • DELTA SERVICE CENTERS (CENTROS DE SERVICIO DE PORTER-CABLE • DELTA) (CENTRE DE SERVICE PORTER-CABLE • DELTA)

**Parts and Repair Service for Porter-Cable • Delta Power Tools are Available at These Locations
(Obtenga Refacción de Partes o Servicio para su Herramienta en los Sigüientes Centros de Porter-Cable • Delta)
(Locations où vous trouverez les pièces de rechange nécessaires ainsi qu'un service d'entretien)**

ARIZONA

Tempe 85282 (Phoenix)
2400 West Southern Avenue
Suite 105
Phone: (602) 437-1200
Fax: (602) 437-2200

CALIFORNIA

Ontario 91761 (Los Angeles)
3949A East Guasti Road
Phone: (909) 390-5555
Fax: (909) 390-5554

San Diego 92111
7638 Clairemont Blvd.
Phone: (858) 277-9595
Fax: (858) 277-9696

San Leandro 94577 (Oakland)
3039 Teagarden Street
Phone: (510) 357-9762
Fax: (510) 357-7939

COLORADO

Anvada 80003 (Denver)
8175 Sheridan Blvd., Unit S
Phone: (303) 487-1809
Fax: (303) 487-1868

FLORIDA

Davie 33314 (Miami)
4343 South State Rd. 7. (441)
Unit #107
Phone: (954) 321-6635
Fax: (954) 321-6638

Tampa 33609

4538 W. Kennedy Boulevard
Phone: (813) 877-9585
Fax: (813) 289-7948

GEORGIA

Forest Park 30297 (Atlanta)
5442 Frontage Road,
Suite 112
Phone: (404) 608-0006
Fax: (404) 608-1123

ILLINOIS

Addison 60101 (Chicago)
400 South Rohlfing Rd.
Phone: (630) 424-8805
Fax: (630) 424-8895

Woodridge 60517 (Chicago)
2033 West 75th Street
Phone: (630) 910-9200
Fax: (630) 910-0360

MARYLAND

Elkridge 21075 (Baltimore)
7397-102 Washington Blvd.
Phone: (410) 799-9394
Fax: (410) 799-9398

MASSACHUSETTS

Franklin 02038 (Boston)
Franklin Industrial Park
101E Constitution Blvd.
Phone: (608) 520-8802
Fax: (608) 528-8089

MICHIGAN

Madison Heights 48071 (Detroit)
30475 Stephenson Highway
Phone: (248) 597-5000
Fax: (248) 597-5004

MINNESOTA

Minneapolis 55429
5522 Lakeland Avenue North
Phone: (763) 561-9080
Fax: (763) 561-0653

MISSOURI

North Kansas City 64116
1141 Swift Avenue
Phone: (816) 221-2070
Fax: (816) 221-2897

St. Louis 63119

7574 Watson Road
Phone: (314) 968-8950
Fax: (314) 968-2790

NEW YORK

Flushing 11365-1595 (N.Y.C.)
175-25 Horace Harding Expwy.
Phone: (718) 225-2040
Fax: (718) 423-9619

NORTH CAROLINA

Charlotte 28270
9129 Monroe Road, Suite 115
Phone: (704) 841-1176
Fax: (704) 708-4625

OHIO

Columbus 43214
4560 Indianola Avenue
Phone: (614) 263-0929
Fax: (614) 263-1238

Cleveland 44125

8001 Sweet Valley Drive
Unit #19
Phone: (216) 447-9030
Fax: (216) 447-3097

OREGON

Portland 97230
4916 NE 122 nd Ave.
Phone: (503) 252-0107
Fax: (503) 252-2123

PENNSYLVANIA

Willow Grove 19090 (Philadelphia)
520 North York Road
Phone: (215) 658-1430
Fax: (215) 658-1433

TEXAS

Carrollton 75006 (Dallas)
1300 Interstate 35 N, Suite 112
Phone: (972) 446-2996
Fax: (972) 446-8157

Houston 77043

4321 Sam Houston Parkway, West
Suite 180
Phone: (713) 983-9910
Fax: (713) 983-6645

WASHINGTON

Auburn 98001 (Seattle)
3320 West Valley HWY, North
Building D, Suite 111
Phone: (253) 333-8353
Fax: (253) 333-9613

Authorized Service Stations are located in many large cities. Telephone **800-487-8665** or **731-541-6042** for assistance locating one. Parts and accessories for Porter-Cable • Delta products should be obtained by contacting any Porter-Cable • Delta Distributor, Authorized Service Center, or Porter-Cable • Delta Factory Service Center. If you do not have access to any of these, call **888-848-5175** and you will be directed to the nearest Porter-Cable • Delta Factory Service Center. Las Estaciones de Servicio Autorizadas están ubicadas en muchas grandes ciudades. Llame al **800-487-8665** ó al **731-541-6042** para obtener asistencia a fin de localizar una. Las piezas y los accesorios para los productos Porter-Cable • Delta deben obtenerse poniéndose en contacto con cualquier distribuidor Porter-Cable • Delta, Centro de Servicio Autorizado o Centro de Servicio de Fábrica Porter-Cable • Delta. Si no tiene acceso a ninguna de estas opciones, llame al **888-848-5175** y le dirigirán al Centro de Servicio de Fábrica Porter-Cable • Delta más cercano. Des centres de service agréés sont situés dans beaucoup de grandes villes. Appelez au **800-487-8665** ou au **731-541-6042** pour obtenir de l'aide pour en repérer un. Pour obtenir des pièces et accessoires pour les produits Porter-Cable • Delta, s'adresser à tout distributeur Porter-Cable • Delta, centre de service agréé ou centre de service d'usine Porter-Cable • Delta. Si vous n'avez accès à aucun de ces centres, appeler le **888-848-5175** et on vous dirigera vers le centre de service d'usine Porter-Cable • Delta le plus proche.

CANADIAN PORTER-CABLE • DELTA SERVICE CENTERS

ALBERTA

Bay 6, 2520-23rd St. N.E.
Calgary, Alberta
T2E 8L2
Phone: (403) 735-6166
Fax: (403) 735-6144

BRITISH COLUMBIA

8520 Baxter Place
Burnaby, B.C.
V5A 4T8
Phone: (604) 420-0102
Fax: (604) 420-3522

MANITOBA

1699 Dublin Avenue
Winnipeg, Manitoba
R3H 0H2
Phone: (204) 633-9259
Fax: (204) 632-1976

ONTARIO

505 Southgate Drive
Guelph, Ontario
N1H 6M7
Phone: (519) 767-4132
Fax: (519) 767-4131

QUÉBEC

1515 Ave.
St-Jean Baptiste, Suite 160
Québec, P.Q.
G2E 5E2
Phone: (418) 877-7112
Fax: (418) 877-7123

1447, Begin
St-Laurent, (Mtl), P.Q.
H4R 1V8
Phone: (514) 336-8772
Fax: (514) 336-3505

The following are trademarks of PORTER-CABLE • DELTA (Las siguientes son marcas registradas de PORTER-CABLE • DELTA S.A.) (Les marques suivantes sont des marques de fabricant de la PORTER-CABLE • DELTA): Auto-Set®, BAMMER®, B.O.S.S.®, Builder's Saw®, Contractor's Saw II™, Delta™, DELTACRAFT®, DELTAGRAM™, Delta Series 2000™, DURATRONIC™, Emc2™, FLEX®, Flying Chips™, FRAME SAW®, Grip Vac™, Homecraft®, INNOVATION THAT WORKS®, Jet-LoK®, JETSTREAM®, 'kickstand', LASERLOC®, MICRO-SET®, Micro-Set®, MIDI LATHE®, MORTEN™, NETWORK™, OMNIJIG®, POCKET CUTTER®, PORTA-BAND®, PORTA-PLANE®, PORTER-CABLE®&(design), PORTER-CABLE® PROFESSIONAL POWER TOOLS, PORTER-CABLE REDEFINING PERFORMANCE™, Posi-Matic®, Q-3®&(design), QUICKSAND®&(design), QUICKSET™, QUICKSET II®, QUICKSET PLUS™, RIPTIDE™&(design), SAFE GUARD II®, SAFE-LOC®, Sanding Center®, SANDTRAP®&(design), SAW BOSS®, Sawbuck™, Sidekick®, SPEED-BLOC®, SPEEDMATIC®, SPEEDTRONIC®, STAIR EASE®, The American Woodshop®&(design), The Lumber Company®&(design), THE PROFESSIONAL EDGE®, THE PROFESSIONAL SELECT®, THIN-LINE™, TIGER®, TIGER CUB®, TIGER SAW®, TORQBUSTER®, TORQ-BUSTER™, TRU-MATCH™, TWIN-LITE™, UNIGUARD®, Unifencer®, UNIFEEDER™, Unihand®, Uniplane™, Unirip®, Unisaw®, Univise®, Versa-Feeder®, VERSA-PLANE®, WHISPER SERIES®, WOODWORKER'S CHOICE™.

Trademarks noted with ™ and ® are registered in the United States Patent and Trademark Office and may also be registered in other countries. Las Marcas Registradas con el signo de ™ y ® son registradas por la Oficina de Registros y Patentes de los Estados Unidos y también pueden estar registradas en otros países. Marques déposées, indiquées par la lettre ™ et ®, sont déposées au Bureau des brevets d'invention et marques déposées aux Etats-Unis et pourraient être déposées aux autres pays.