

ESPAÑOL: PÁGINA 13
FRANÇAISE : PAGE 25

Instruction manual

Double Insulated Portable Electric Screwdrivers



Drywall Drivers
Depth Sensing
MODEL 6640 0/4000 RPM
MODEL 6645 0/2500 RPM



Fastener Drivers
Depth Sensing
MODEL 6641 0/2500 RPM
MODEL 6642 0/2000 RPM

To learn more about Porter-Cable
visit our website at:

<http://www.porter-cable.com>

PORTER-CABLE
PROFESSIONAL POWER TOOLS

Copyright © 2001 PORTER-CABLE Corporation

IMPORTANT

Please make certain that the person who is to use this equipment carefully reads and understands these instructions before starting operations.

The Model and Serial No. plate is located on the main housing of the tool. Record these numbers in the spaces below and retain for future reference.

Model No. _____

Type _____

Serial No. _____

Part No. 902387 - 10-31-01

⚠ WARNING: SOME DUST CREATED BY POWER SANDING, SAWING, GRINDING, DRILLING, AND OTHER CONSTRUCTION ACTIVITIES

contains chemicals known to cause cancer, birth defects or other reproductive harm. Some examples of these chemicals are:

- lead from lead-based paints,
- crystalline silica from bricks and cement and other masonry products, and
- arsenic and chromium from chemically-treated lumber.

Your risk from these exposures varies, depending on how often you do this type of work. To reduce your exposure to these chemicals: work in a well ventilated area, and work with approved safety equipment, such as those dust masks that are specially designed to filter out microscopic particles.

GENERAL SAFETY RULES

⚠ WARNING: READ AND UNDERSTAND ALL INSTRUCTIONS. Failure to follow all instructions listed below, may result in electric shock, fire and/or serious personal injury.

SAVE THESE INSTRUCTIONS.

WORK AREA

1. **Keep your work area clean and well lit.** Cluttered benches and dark areas invite accidents.
2. **Do not operate power tools in explosive atmospheres, such as in the presence of flammable liquids, gases, or dust.** Power tools create sparks which may ignite the dust or fumes.
3. **Keep bystanders, children, and visitors away while operating a power tool.** Distractions can cause you to lose control.

ELECTRICAL SAFETY

1. **Double insulated tools are equipped with a polarized plug (one blade is wider than the other). This plug will fit in a polarized outlet only one way. If the plug does not fit fully in the outlet, reverse the plug. If it still does not fit, contact a qualified electrician to install a polarized outlet. Do not change the plug in any way.** Double Insulation eliminates the need for the three wire grounded power cord and grounded power supply system.
2. **Avoid body contact with grounded surfaces such as pipes, radiators, ranges and refrigerators.** There is an increased risk of electric shock if your body is grounded.
3. **Don't expose power tools to rain or wet conditions.** Water entering a power tool will increase the risk of electric shock.
4. **Do not abuse the cord. Never use the cord to carry the tools or pull the plug from an outlet. Keep cord away from heat, oil, sharp edges or moving parts. Replace damaged cords immediately.** Damaged cords increase the risk of electric shock.
5. **When operating a power tool outside, use an outdoor extension cord marked "W-A" or "W".** These cords are rated for outdoor use and reduce the risk of electric shock.

PERSONAL SAFETY

1. **Stay alert, watch what you are doing, and use common sense when operating a power tool. Do not use tool while tired or under the influence of drugs, alcohol, or medication.** A moment of inattention while operating power tools may result in serious personal injury.

2. Dress properly. Do not wear loose clothing or jewelry. Contain long hair. Keep your hair, clothing, and gloves away from moving parts. Loose clothes, jewelry, or long hair can be caught in moving parts.

3. Avoid accidental starting. Be sure switch is OFF before plugging in. Carrying tools with your finger on the switch or plugging in tools that have the switch ON invites accidents.

4. Remove adjusting keys or wrenches before turning the tool ON. A wrench or a key that is left attached to a rotating part of the tool may result in personal injury.

5. Do not overreach. Keep proper footing and balance at all times. Proper footing and balance enable better control of the tool in unexpected situations.

6. Use safety equipment. Always wear eye protection. Dust mask, non-skid safety shoes, hard hat, or hearing protection must be used for appropriate conditions.

TOOLS USE AND CARE

1. Use clamps or other practical way to secure and support the workpiece to a stable platform. Holding the work by hand or against your body is unstable and may lead to loss of control.

2. Do not force tool. Use the correct tool for your application. The correct tool will do the job better and safer at the rate for which it is designed.

3. Do not use tool if switch does not turn it ON or OFF. A tool that cannot be controlled with the switch is dangerous and must be repaired.

4. Disconnect the plug from the power source before making any adjustments, changing accessories, or storing the tool. Such preventive safety measures reduce the risk of starting the tool accidentally.

5. Store idle tools out of reach of children and other untrained persons. Tools are dangerous in the hands of untrained users.

6. Maintain tools with care. Keep cutting tools sharp and clean. Properly maintained tools, with sharp cutting edges are less likely to bind and are easier to control.

7. Check for misalignment or binding of moving parts, breakage of parts, and any other condition that may affect the tool's operation. If damaged, have the tool serviced before using. Many accidents are caused by poorly maintained tools.


8. Use only accessories that are recommended by the manufacturer for your model. Accessories that may be suitable for one tool may become hazardous when used on another tool.

SERVICE









1. Tool service must be performed only by qualified repair personnel. Service or maintenance performed by unqualified personnel may result in a risk of injury.

2. When servicing a tool, use only identical replacement parts. Follow instructions in the Maintenance Section of this manual. Use of unauthorized parts or failure to follow Maintenance Instructions may create a risk of electric shock or injury.

SPECIFIC SAFETY RULES AND SYMBOLS FOR SCREWDRIVERS

1. **VERIFY** direction of rotation of screwdriver is correct for operation to be performed before starting tool.
2. **DO NOT** attempt to change direction of rotation while switch is "ON". To do so may damage interlock feature built into switch. Be sure switch is "OFF" and motor has completely stopped.
3. **SOME WOOD CONTAINS PRESERVATIVES WHICH CAN BE TOXIC.** Take extra care to prevent inhalation and skin contact when working with these materials. Request, and follow, any safety information available from your material supplier.
4.  **WARNING:** There are certain applications for which this tool was designed. Porter-Cable strongly recommends that this tool NOT be modified and/or used for any application other than for which it was designed. If you have any questions relative to its application DO NOT use the tool until you have written Porter-Cable and we have advised you.

Technical Service Manager
 Porter-Cable Corporation
 4825 Highway 45 North
 Jackson, TN 38305

SYMBOL	DEFINITION
V	volts
A	amperes
Hz	hertz
W	watts
kW	kilowatts
μF	microfarads
l	liters
kg	kilograms
N/cm ²	newtons per square centimeter
Pa	pascals
h	hours
min	minutes
s	seconds
	alternating current
3 	three-phase alternating current
3N 	three-phase alternating current with neutral
	direct current
n_0	no load
	alternating or direct current
	Class II Construction
	splash-proof construction
	watertight construction
.../min	revolutions or reciprocation per minute

REPLACEMENT PARTS

When servicing use only identical replacement parts.

MOTOR

Many Porter-Cable tools will operate on either D.C., or single phase 25 to 60 cycle A.C. current and voltage within plus or minus 5 percent of that shown on the specification plate on the tool. Several models, however, are designed for A.C. current only. Refer to the specification plate on your tool for proper voltage and current rating.

CAUTION: Do not operate your tool on a current on which the voltage is not within correct limits. Do not operate tools rated A.C. only on D.C. current. To do so may seriously damage the tool.

EXTENSION CORD SELECTION

If an extension cord is used, make sure the conductor size is large enough to prevent excessive voltage drop which will cause loss of power and possible motor damage. A table of recommended extension cord sizes will be found in this section. This table is based on limiting line voltage drop to 5 volts (10 volts for 230 volts) at 150% of rated amperes.

If an extension cord is to be used outdoors it must be marked with the suffix W-A or W following the cord type designation. For example – SJTW-A to indicate it is acceptable for outdoor use.

RECOMMENDED EXTENSION CORD SIZES FOR USE WITH PORTABLE ELECTRIC TOOLS

		Length of Cord in Feet									
		115V	25 Ft.	50 Ft.	100 Ft.	150 Ft.	200 Ft.	250 Ft.	300 Ft.	400 Ft.	500 Ft.
		230V	50 Ft.	100 Ft.	200 Ft.	300 Ft.	400 Ft.	500 Ft.	600 Ft.	800 Ft.	1000 Ft.
Nameplate Ampere Rating	0-2	18	18	18	16	16	14	14	12	10	10
	2-3	18	18	16	14	14	12	12	10	10	10
	3-4	18	18	16	14	12	12	10	10	8	8
	4-5	18	18	14	12	12	10	10	8	8	6
	5-6	18	16	14	12	10	10	8	8	6	6
	6-8	18	16	12	10	10	8	6	6	4	4
	8-10	18	14	12	10	8	8	6	6	4	4
	10-12	16	14	10	8	8	6	6	4	4	2
	12-14	16	12	10	8	6	6	4	4	2	2
	14-16	16	12	10	8	6	6	4	4	2	2
	16-18	14	12	8	8	6	4	4	2	2	2
	18-20	14	12	8	6	6	4	4	2	2	2

FUNCTIONAL DESCRIPTION

FOREWORD

Porter-Cable screwdrivers are designed to install or remove various sizes and types of fasteners. The maximum size of which are listed below:

Model 6641 and 6642:

#12 Wood Screws – 1/4" Self-Drilling-Tapping Screws

Models 6640 and 6645:

Commercially available Drywall Screws

ASSEMBLY and OPERATION

TO START AND STOP SCREWDRIVER

CAUTION: MAKE SURE SWITCH IS OFF BEFORE CONNECTING TOOL TO POWER SOURCE.

1. Make sure power circuit voltage is the same as that shown on the specification plate of screwdriver. Connect screwdriver to power circuit.
2. Squeeze trigger switch (A), Fig. 1, to start motor, as the trigger switch is squeezed, the driver speed increases. The screwdriver bit will not rotate until engaged in a fastener and forward pressure is applied to the tool. To stop motor, release trigger switch.
3. LOCK BUTTON - A lock button (B), Fig. 1, is provided to keep motor running without holding the trigger switch ON.

TO LOCK the trigger switch ON, squeeze the trigger as far as it will go, push in lock button and release trigger.

TO UNLOCK lock button, squeeze trigger and release, leaving lock button free to spring out.

4. DIRECTION OF ROTATION – PORTER-CABLE screwdrivers will rotate either in a clockwise direction for driving fasteners with a right hand thread, or a counter clockwise direction for removing fasteners with a right hand thread. To determine rotation, stop the motor by releasing the trigger switch and move the reversing lever (C), Fig. 1, in the direction marked “reverse” for counter-clockwise rotation, or in the opposite direction for clockwise rotation.

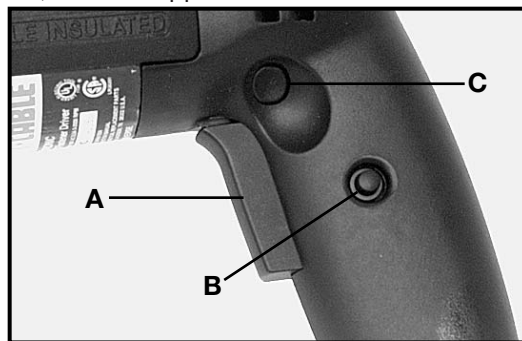


Fig. 1

TO CHANGE HEX NUTSETTER – MODELS 6641, 6642

1. **CAUTION: DISCONNECT TOOL FROM POWER SOURCE.**
2. Pull the adjusting collar (A), Fig. 2, forward, (away from the power unit), and rotate collar counterclockwise, to remove the depth stop assembly (B), Fig. 2, from the clutch housing.
3. Pull nutsetter (C), Fig. 3, straight out. If it is difficult to remove, grip with pliers and pull.
4. Push selected nutsetter into screwdriver spindle until ball in spindle snaps into groove in nutsetter shank.
5. Replace depth stop and adjust for depth of drive (see TO ADJUST DEPTH STOP, MODELS 6641, 6642).

TO ADJUST DEPTH STOP – MODELS 6641, 6642

1. Pull the adjusting collar (A), Fig. 2, forward, (away from power unit), and hold while performing step 2.
2. Turn adjusting collar until end of depth stop is flush with end of nutsetter. Do not push in nutsetter as this will engage internal drive.

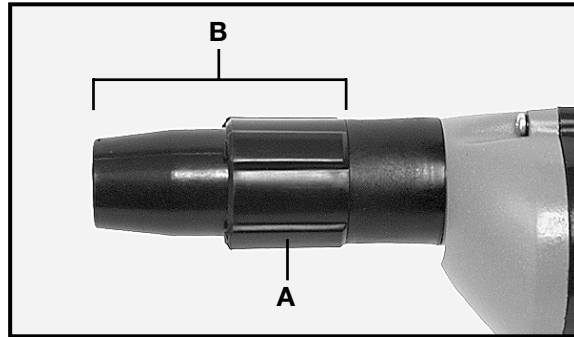


Fig. 2

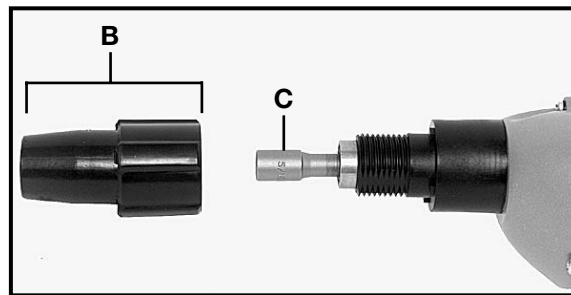


Fig. 3

3. Release adjusting collar being sure that the depressions in the collar engage the projections on the clutch housing.
4. Drive a test fastener in a piece of scrap material identical to that to be used. Examine results of drive and make additional depth stop adjustment if required as follows:
 - a) To increase depth of drive, repeat STEP 1 and turn adjusting collar so that end of nutsetter extends beyond end of depth stop.
 - b) To decrease depth of drive, repeat STEP 1 and turn adjusting collar so that end of depth stop extends beyond end of nutsetter.

Each $\frac{1}{8}$ turn of the adjusting collar results in .010" change in depth of drive.

5. Repeat STEPS 3 and 4 until desired result is obtained.

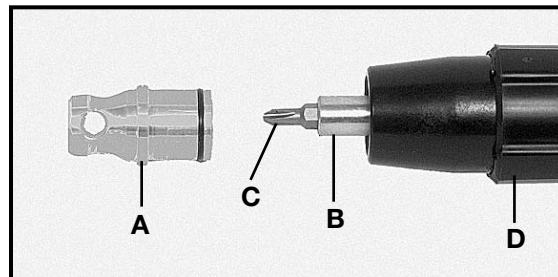


Fig. 4

TO CHANGE BIT HOLDER – MODELS 6640, 6645

1. **CAUTION:** DISCONNECT TOOL FROM POWER SOURCE.
2. Twist and pull the aluminum nosepiece (A), Fig. 4, out of the depth stop assembly.
3. Pull bit holder (B), Fig. 4, straight out. If it is difficult to remove, grip with pliers and pull. **NOTE:** Bit (C), Fig. 4, may be removed from bit holder by pulling straight out.
4. Push new bit holder into spindle until it snaps into place.
5. Install aluminum nose piece and adjust depth stop (see TO ADJUST DEPTH STOP, MODELS 6640, 6645).

TO ADJUST DEPTH STOP – MODELS 6640, 6645

1. Pull the adjusting collar (D), Fig. 4, forward, (away from power unit), and hold while performing Step 2.
2. Turn depth stop until end of bit extends $\frac{3}{32}$ " beyond end of depth stop. Do not push in nutsetter as this will engage internal drive.
3. Release adjusting collar being sure that the depressions in the collar engage the projections on the clutch housing.
4. Drive a test fastener in a piece of scrap material identical to that to be used. Examine results of drive and make additional depth stop adjustment if required as follows:

- a) To increase depth of drive, repeat STEP 1 and turn depth stop so that end of bit extends further from end of depth stop.
- b) To decrease depth of drive, repeat STEP 1 and turn depth stop so that end of bit is closer to end of depth stop. Each $\frac{1}{8}$ turn of the adjusting collar results in .010" change in depth of drive.

5. Repeat STEPS 3 and 4 until desired result is obtained.

DRIVING DRYWALL SCREWS – MODELS 6640, 6645

1. Install drywall bit and bit holder to screwdriver.
2. Set screwdriver for correct rotation.
3. Start screwdriver and place drywall screw on bit.

CAUTION: DO NOT EXERT PRESSURE ON SCREW WHILE DOING THIS.

4. Place end of screw in desired location and remove fingers.
5. Apply forward pressure to drive screw until depth stop rests on the surface of the work. The depth stop should be adjusted so that the fastener head is sunk just below the surface of the wallboard.

DRIVING SELF-DRILLING/TAPPING SCREWS – MODELS 6640, 6645

These screws drill and tap their own hole as they are driven. This differs from self-tapping screws in that pre-drilled holes for tapping are not required. Drive these screws as follows:

1. Install proper nutsetter that fits screw to screwdriver.
2. Set screwdriver for correct rotation.
3. Start screwdriver and insert head of screw in nutsetter.

CAUTION: DO NOT EXERT PRESSURE ON SCREW WHILE DOING THIS.

4. Place end of screw in desired location and remove fingers.
5. Apply forward pressure to drive screw until depth stop rests on the surface of the work. The depth stop should be adjusted so the fastener head seats firmly on the work. Avoid seating the fastener too deep to prevent shearing off the head.

TO REMOVE SCREWS – ALL MODELS

1. Install proper bit that fits screw.
2. Set screwdriver for reverse rotation.
3. Start screwdriver and place bit in screw.
4. Exert forward pressure to remove screw.

MAINTENANCE

KEEP TOOL CLEAN

Periodically blow out all air passages with dry, compressed air. All plastic parts should be cleaned with soft damp cloth. NEVER use solvents, to clean plastic parts. They could possibly dissolve or otherwise damage the material.

CAUTION: Wear safety glasses while performing this operation.

FAILURE TO START

Should your tool fail to start, check to make sure the prongs on the cord plug are making good contact in the outlet. Also, check for blown fuses or open circuit breakers in the line.

CHECK CLUTCH CONDITION

CAUTION: DISCONNECT TOOL FROM POWER SOURCE

Periodically, depending on use, screwdriver clutch jaws should be inspected for wear. This may be done by removing the screwdriver mechanism housing (A), Fig. 5, from the power unit.

NOTES: The clutch housing is attached to the power unit with **left-hand** threads. The depth stop assembly may be removed from the clutch housing to expose a set of wrenching “flats” (B), Fig. 5, on the clutch housing. These “flats” permit the use of a wrench to aid in clutch housing removal.

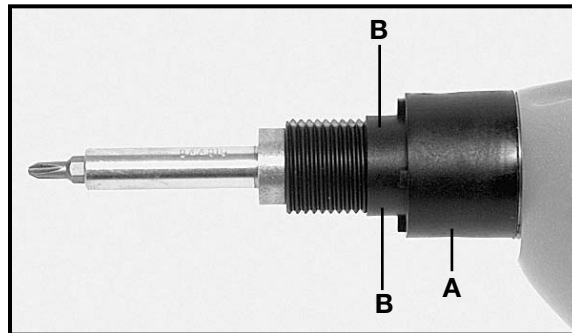


Fig. 5

There is a small spring in the end of the power unit spindle shaft. Be careful not to lose this spring.

Note condition of 3-jaw clutch faces on power unit and screwdriver mechanism. If they are badly rounded where the angular face meets the top surface, or appear otherwise worn or faulty, or if the clutch elements are not securely held in place on their respective shafts by the snap rings, return the entire tool to your AUTHORIZED PORTER-CABLE SERVICE STATION for service.

If the jaws are not seriously worn and there are no other apparent faults in the mechanism, then proceed and be sure that the mechanism and all internal areas are clean and free of chips or other foreign material and brush a thin coat of PORTER-CABLE gear lubricant on the clutch elements and surrounding areas. Reassemble the screwdriver mechanism onto the power unit. Be sure the spring is on the spindle shaft. **NOTE:** The housing threads are left-hand thread.

BRUSH INSPECTION AND LUBRICATION

For your continued safety and electrical protection, brush inspection and replacement on this tool should ONLY be performed by an AUTHORIZED PORTER-CABLE SERVICE STATION or a PORTER-CABLE/DELTA SERVICE CENTER.

At approximately 100 hours of use, take or send your tool to your nearest Authorized Porter-Cable Service Station to be thoroughly cleaned and inspected; worn parts replaced, when necessary; relubricated with fresh lubricant, if required; reassembled with new brushes; and performance tested.

Any loss of power before the above maintenance check may indicate the need for immediate servicing of your tool. DO NOT CONTINUE TO OPERATE TOOL UNDER THIS CONDITION. If proper operating voltage is present, return your tool to the Service Station for immediate service.


SERVICE AND REPAIRS

All quality tools will eventually require servicing or replacement of parts due to wear from normal use. These operations, including brush inspection and replacement, should ONLY be performed by either an AUTHORIZED PORTER-CABLE SERVICE STATION or a PORTER-CABLE/DELTA SERVICE CENTER. All repairs made by these agencies are fully guaranteed against defective material and workmanship. We cannot guarantee repairs made or attempted by anyone other than these agencies.

Should you have any questions about your tool, feel free to write us at any time. In any communications, please give all information shown on the nameplate of your tool (model number, type, serial number, etc.).

ACCESSORIES

A complete line of accessories is available from your Porter-Cable • Delta Supplier, Porter-Cable • Delta Factory Service Centers, and Porter-Cable Authorized Service Stations. Please visit our Web Site www.porter-cable.com for a catalog or for the name of your nearest supplier.

 **WARNING:** Since accessories other than those offered by Porter-Cable • Delta, have not been tested with this product use of such accessories could be hazardous. For safest operation, only Porter-Cable • Delta recommended accessories should be used with this product.

IMPORTANT NOTE: Size of screwdriver accessories should be chosen so as not to exceed the specified capacity of driver with which they are to be used.

PORTER-CABLE LIMITED ONE YEAR WARRANTY

Porter-Cable warrants its Professional Power Tools for a period of one year from the date of original purchase. We will repair or replace at our option, any part or parts of the product and accessories covered under this warranty which, after examination, proves to be defective in workmanship or material during the warranty period. For repair or replacement return the complete tool or accessory, transportation prepaid, to your nearest Porter-Cable Service Center or Authorized Service Station. Proof of purchase may be required. This warranty does not apply to repair or replacement required due to misuse, abuse, normal wear and tear or repairs attempted or made by other than our Service Centers or Authorized Service Stations.

ANY IMPLIED WARRANTY, INCLUDING THE IMPLIED WARRANTIES OF MERCHANTABILITY AND FITNESS FOR A PARTICULAR PURPOSE, WILL LAST ONLY FOR ONE (1) YEAR FROM THE DATE OF PURCHASE.

To obtain information on warranty performance please write to: PORTER-CABLE CORPORATION, 4825 Highway 45 North, Jackson, Tennessee 38305; Attention: Product Service. THE FOREGOING OBLIGATION IS PORTER-CABLE'S SOLE LIABILITY UNDER THIS OR ANY IMPLIED WARRANTY AND UNDER NO CIRCUMSTANCES SHALL PORTER-CABLE BE LIABLE FOR ANY INCIDENTAL OR CONSEQUENTIAL DAMAGES. Some states do not allow limitations on how long an implied warranty lasts or the exclusion or limitation of incidental or consequential damages, so the above limitation or exclusion may not apply to you.

This warranty gives you specific legal rights and you may also have other legal rights which vary from state to state.

**PORTER-CABLE • DELTA SERVICE CENTERS
(CENTROS DE SERVICIO DE PORTER-CABLE • DELTA)
(CENTRE DE SERVICE PORTER-CABLE • DELTA)**

**Parts and Repair Service for Porter-Cable • Delta Power Tools are Available at These Locations
(Obtenga Refaccion de Partes o Servicio para su Herramienta en los Siguientes Centros de Porter-Cable • Delta)
(Locations où vous trouverez les pièces de rechange nécessaires ainsi qu'un service d'entretien)**

ARIZONA Tempe 85282 (Phoenix) 2400 West Southern Avenue Suite 105 Phone: (602) 437-1200 Fax: (602) 437-2200	ILLINOIS Addison 60101 (Chicago) 311 Laura Drive Phone: (630) 628-6100 Fax: (630) 628-0023	MINNESOTA Cleveland 44125 8001 Sweet Valley Drive Unit #19 Phone: (216) 447-9030 Fax: (216) 447-3097	OREGON Portland 97230 4916 NE 122 nd Ave. Phone: (503) 252-0107 Fax: (503) 252-2123
CALIFORNIA Ontario 91761 (Los Angeles) 3949A East Guasti Road Phone: (909) 390-5555 Fax: (909) 390-5554	Woodridge 60517 (Chicago) 2033 West 75th Street Phone: (630) 910-9200 Fax: (630) 910-0360	MISSOURI North Kansas City 64116 1141 Swift Avenue P.O. Box 12393 Phone: (816) 221-2070 Fax: (816) 221-2897	PENNSYLVANIA Willow Grove 19090 520 North York Road Phone: (215) 658-1430 Fax: (215) 658-1433
San Leandro 94577 (Oakland) 3039 Teagarden Street Phone: (510) 357-9762 Fax: (510) 357-7939	MARYLAND Elkridge 21075 (Baltimore) 7397-102 Washington Blvd. Phone: (410) 799-9394 Fax: (410) 799-9398	St. Louis 63119 7574 Watson Road Phone: (314) 968-8950 Fax: (314) 968-2790	TEXAS Carrollton 75006 (Dallas) 1300 Interstate 35 N, Suite 112 Phone: (972) 446-2996 Fax: (972) 446-8157
FLORIDA Davie 33314 (Miami) 4343 South State Rd. 7 (441) Unit #107 Phone: (954) 321-6635 Fax: (954) 321-6638	MASSACHUSETTS Braintree 02185 (Boston) 719 Granite Street Phone: (781) 848-9810 Fax: (781) 848-6759	NEW YORK Flushing 11365-1595 (N.Y.C.) 175-25 Horace Harding Expwy. Phone: (718) 225-2040 Fax: (718) 423-9619	Houston 77055 West 10 Business Center 1008 Wirt Road, Suite 120 Phone: (713) 682-0334 Fax: (713) 682-4867
Tampa 33609 4538 W. Kennedy Boulevard Phone: (813) 877-9585 Fax: (813) 289-7948	Franklin 02038 (Boston) Franklin Industrial Park 101E Constitution Blvd. Phone: (508) 520-8802 Fax: (508) 528-8089	NORTH CAROLINA Charlotte 28270 9129 Monroe Road, Suite 115 Phone: (704) 841-1176 Fax: (704) 708-4625	WASHINGTON Auburn 98001 (Seattle) 3320 West Valley HWY, North Building D, Suite 111 Phone: (253) 333-8353 Fax: (253) 333-9613
GEORGIA Forest Park 30297 (Atlanta) 5442 Frontage Road, Suite 112 Phone: (404) 608-0006 Fax: (404) 608-1123	MICHIGAN Madison Heights 48071 (Detroit) 30475 Stephenson Highway Phone: (248) 597-5000 Fax: (248) 597-5004	OHIO Columbus 43214 4560 Indianola Avenue Phone: (614) 263-0929 Fax: (614) 263-1238	

Authorized Service Stations are located in many large cities. Telephone **800-487-8665** or **731-541-6042** for assistance locating one. Parts and accessories for Porter-Cable • Delta products should be obtained by contacting any Porter-Cable • Delta Distributor, Authorized Service Center, or Porter-Cable • Delta Factory Service Center. If you do not have access to any of these, call **888-848-5175** and you will be directed to the nearest Porter-Cable • Delta Factory Service Center. Las Estaciones de Servicio Autorizadas están ubicadas en muchas grandes ciudades. Llame al **800-487-8665** ó al **731-541-6042** para obtener asistencia a fin de localizar una. Las piezas y los accesorios para los productos Porter-Cable • Delta deben obtenerse poniéndose en contacto con cualquier distribuidor Porter-Cable • Delta, Centro de Servicio Autorizado o Centro de Servicio de Fábrica Porter-Cable • Delta. Si no tiene acceso a ninguna de estas opciones, llame al **888-848-5175** y le dirigirán al Centro de Servicio de Fábrica Porter-Cable • Delta más cercano. Des centres de service agréés sont situés dans beaucoup de grandes villes. Appelez au **800-487-8665** ou au **731-541-6042** pour obtenir de l'aide pour en repérer un. Pour obtenir des pièces et accessoires pour les produits Porter-Cable • Delta, s'adresser à tout distributeur Porter-Cable • Delta, centre de service agréé ou centre de service d'usine Porter-Cable • Delta. Si vous n'avez accès à aucun de ces centres, appelez le **888-848-5175** et on vous dirigera vers le centre de service d'usine Porter-Cable • Delta le plus proche.

CANADIAN PORTER-CABLE • DELTA SERVICE CENTERS

ALBERTA Bay 6, 2520-23rd St. N.E. Calgary, Alberta T2E 8L2 Phone: (403) 735-6166 Fax: (403) 735-6144	MANITOBA 1699 Dublin Avenue Winnipeg, Manitoba R3H 0H2 Phone: (204) 633-9259 Fax: (204) 632-1976	QUÉBEC 1515 Ave. St-Jean Baptiste, Québec, Québec G2E 5E2 Phone: (418) 877-7112 Fax: (418) 877-7123
BRITISH COLUMBIA 8520 Baxter Place Burnaby, B.C. V5A 4T8 Phone: (604) 420-0102 Fax: (604) 420-3522	ONTARIO 505 Southgate Drive Guelph, Ontario N1H 6M7 Phone: (519) 836-2840 Fax: (519) 767-4131	1447, Begin St-Laurent, (Montréal), Québec H4R 1V8 Phone: (514) 336-8772 Fax: (514) 336-3505

The following are trademarks of PORTER-CABLE • DELTA (Las siguientes son marcas registradas de PORTER-CABLE • DELTA S.A.) (Les marques suivantes sont des marques de fabricant de la PORTER-CABLE • DELTA): BAMMER®, LASERLOC®, OMNIJIG®, POCKET CUTTER®, PORTA-BAND®, PORTA-PLANE®, PORTER-CABLE®, QUICKSAND®, SANDTRAP®, SAW BOSS®, SPEED-BLOC®, SPEEDMATIC®, SPEEDTRONIC®, STAIR-EASE®, THE PROFESSIONAL EDGE®, THE PROFESSIONAL SELECT®, TIGER CUB®, TIGER SAW®, TORQ-BUSTER®, VERSA-PLANE®, WHISPER SERIES®, DURATRONIC™, FRAME SAW™, INNOVATION THAT WORKS™, JETSTREAM™, MICRO-SET™, MORTEN™, NETWORK™, RIPTIDE™, TRU-MATCH™, WOODWORKER'S CHOICE™, THE AMERICAN WOOD SHOP™ (design), AUTO-SET™, B.O.S.S.™, BUILDER'S SAW™, CONTRACTOR'S SAW™, DELTA™, DELTACRAFT™, HOMECRAFT™, JET-LOCK™, KICKSTAND™, THE LUMBER COMPANY™ (design), MICRO-SET™, Q3™, QUICKSET II™, QUICKSET PLUS™, SAFEGUARD II™, SANDING CENTER™, SIDEKICK™, UNIFENCE™, UNIGUARD™, UNIRIP™, UNISAW™, VERSA-FEEDER™, TPS™, Emc2™.

Trademarks noted with ™ and ® are registered in the United States Patent and Trademark Office and may also be registered in other countries. Las Marcas Registradas con el signo de ™ y ® son registradas por la Oficina de Registros y Patentes de los Estados Unidos y también pueden estar registradas en otros países. Marques déposées, indiquées par la lettre ™ et ®, sont déposées au Bureau des brevets d'invention et marques déposées aux Etats-Unis et pourraient être déposées aux autres pays.