



MODELS 891, 892, & 8931 PLUNGE BASE

ROUTER
TOUPIES
CONTORNEADORES

www.porter-cable.com

Copyright © 2006 Porter-Cable

A15163-03-17-06 Rev. A

Instructivo de operacion,
centros de servicio y poliza de garantia.
ADVERTENCIA: Lease este instructivo antes de usarel producto.

PORTER-CABLE®

SAVE THESE INSTRUCTIONS!

⚠ WARNING Read all instructions. Failure to follow all instructions listed below may result in electric shock, fire and/or serious injury. The term "power tool" in all of the warnings listed below refers to your mains-operated (corded) power tool or battery-operated (cordless) power tool.

⚠ WARNING To reduce the risk of injury, user must read instruction manual.

GENERAL SAFETY RULES

- 1) **Work area safety**
 - a) **Keep work area clean and well lit.** Cluttered or dark areas invite accidents.
 - b) **Do not operate power tools in explosive atmospheres, such as in the presence of flammable liquids, gases or dust.** Power tools create sparks which may ignite the dust or fumes.
 - c) **Keep children and bystanders away while operating a power tool.** Distractions can cause you to lose control.
- 2) **Electrical safety**
 - a) **Power tool plugs must match the outlet. Never modify the plug in any way. Do not use any adapter plugs with earthed (grounded) power tools.** Unmodified plugs and matching outlets will reduce risk of electric shock.
 - b) **Avoid body contact with earthed or grounded surfaces such as pipes, radiators, ranges, and refrigerators.** There is an increased risk of electric shock if your body is earthed or grounded.
 - c) **Do not expose power tools to rain or wet conditions.** Water entering a power tool will increase the risk of electric shock.
 - d) **Do not abuse the cord. Never use the cord for carrying, pulling or unplugging the power tool. Keep cord away from heat, oil, sharp edges or moving parts.** Damaged or entangled cords increase the risk of electric shock. Use only 3-wire extension cords that have 3-prong grounding-type plugs and 3-pole receptacles that accept the tool's plug.
 - e) **When operating a power tool outdoors, use an extension cord suitable for outdoor use.** Use of a cord suitable for outdoor use reduces the risk of electric shock. When using an extension cord, be sure to use one heavy enough to carry the current your product will draw. An undersized cord will cause a drop in line voltage resulting in loss of power and overheating. The following table shows the correct size to use depending on cord length and nameplate ampere rating. If in doubt, use the next heavier gauge. The smaller the gauge number, the heavier the cord.

Minimum Gauge for Cord Sets

Volts	Total Length of Cord in Feet	0-25	26-50	51-100	101-150
120V					
240V					

Ampere Rating

More Than	Not more Than	AWG			
0	- 6	18	16	16	14
6	- 10	18	16	14	12
10	- 12	16	16	14	12
12	- 16	14	12		Not Recommended

- 3) **Personal safety**
 - a) Stay alert, watch what you are doing and use common sense when operating a power tool. Do not use a power tool while you are tired or under the influence of drugs, alcohol or medication. A moment of inattention while operating power tools may result in serious personal injury.
 - b) Use safety equipment. Always wear eye protection. Safety equipment such as dust mask, non-skid safety shoes, hard hat, or hearing protection used for appropriate conditions will reduce personal injuries.
 - c) Avoid accidental starting. Ensure the switch is in the off-position before plugging in. Carrying power tools with your finger on the switch or plugging in power tools that have the switch on invites accidents.
 - d) Remove any adjusting key or wrench before turning the power tool on. A wrench or a key left attached to a rotating part of the power tool may result in personal injury.
 - e) Do not overreach. Keep proper footing and balance at all times. This enables better control of the power tool in unexpected situations.
 - f) Dress properly. Do not wear loose clothing or jewelry. Keep your hair, clothing and gloves away from moving parts. Loose clothes, jewelry or long hair can be caught in moving parts.
 - g) If devices are provided for the connection of dust extraction and collection facilities, ensure these are connected and properly used. Use of these devices can reduce dust-related hazards. Accessories that may be suitable for one tool, may become hazardous when used on another tool.
- 4) **Power tool use and care**
 - a) Do not force the power tool. Use the correct power tool for your application. The correct power tool will do the job better and safer at the rate for which it was designed.
 - b) Do not use the power tool if the switch does not turn it on and off. Any power tool that cannot be controlled with the switch is dangerous and must be repaired.
 - c) Disconnect the plug from the power source before making any adjustments, changing accessories, or storing power tools. Such preventive safety measures reduce the risk of starting the power tool accidentally.
 - d) Store idle power tools out of the reach of children and do not allow persons unfamiliar with the power tool or these instructions to operate the power tool. Power tools are dangerous in the hands of untrained users.
 - e) Maintain power tools. Check for misalignment or binding of moving parts, breakage of parts and any other condition that may affect the power tools operation. If damaged, have the power tool repaired before use. Many accidents are caused by poorly maintained power tools.
 - f) Keep cutting tools sharp and clean. Properly maintained cutting tools with sharp cutting edges are less likely to bind and are easier to control.
 - g) Use the power tool, accessories and tool bits etc., in accordance with these instructions and in the manner intended for the particular type of power tool, taking into account the working conditions and the work to be performed. Use of the power tool for operations different from those intended could result in a hazardous situation.
- 5) **Service**
 - a) Have your power tool serviced by a qualified repair person using only identical replacement parts. This will ensure that the safety of the power tool is maintained.

ADDITIONAL SPECIFIC SAFETY RULES

⚠ WARNING Some dust created by power sanding, sawing, grinding, drilling, and other construction activities contains chemicals known to cause cancer, birth defects or other reproductive harm.

Some examples of these chemicals are:

- lead from lead-based paints,
- crystalline silica from bricks and cement and other masonry products, and
- arsenic and chromium from chemically-treated lumber (CCA).

Your risk from these exposures varies, depending on how often you do this type of work. To reduce your exposure to these chemicals: work in a well ventilated area, and work with approved safety equipment, such as those dust masks that are specially designed to filter out microscopic particles.

- Avoid prolonged contact with dust from power sanding, sawing, grinding, drilling, and other construction activities. Wear protective clothing and wash exposed areas with soap and water. Allowing dust to get into your mouth, eyes, or lay on the skin may promote absorption of harmful chemicals.

⚠ WARNING Use of this tool can generate and/or disburse dust, which may cause serious and permanent respiratory or other injury. Always use NIOSH/OSHA approved respiratory protection appropriate for the dust exposure. Direct particles away from face and body.

⚠ CAUTION Wear appropriate hearing protection during use. Under some conditions and duration of use, noise from this product may contribute to hearing loss. The label on your tool may include the following symbols.

1. **HOLD POWER TOOLS BY INSULATED GRIPPING SURFACES** when performing an operation where the cutting tool may contact hidden wiring or its own cord. Contact with a "live" wire will make exposed metal parts of the tool "live" and shock the operator.
2. **USE CLAMPS** or other practical way to secure and support the workpiece to a stable platform. Holding the work by hand or against your body is unstable and may lead to loss of control.
3. **DISCONNECT TOOL FROM POWER SOURCE** before making adjustments or changing bits.
4. **TIGHTEN COLLET NUT** securely to prevent the bit from slipping.
5. **USE A CLAMP** or some other device to hold the workpiece rigidly in position and clear the path of the tool of obstructions.
6. **PROVIDE CLEARANCE** under workpiece for router bit when through-cutting.
7. **CHECK TO SEE THAT THE CORD** will not "hang up" during routing operation.
8. **CLEAR THE ROUTER BIT AREA** before starting motor.
9. **MAINTAIN FIRM GRIP** on router to resist starting torque.
10. **KEEP HANDS CLEAR OF BIT** when motor is running to prevent personal injury.
11. **KEEP CUTTING PRESSURE CONSTANT.** Do not overload motor.
12. **LET THE MOTOR COME TO A COMPLETE STOP** before putting the tool down.
13. **NEVER TOUCH** router bits after use. They may be extremely hot.
14. **NEVER TIGHTEN COLLET NUT** without a bit.
15. **DO NOT USE ROUTER BITS** with a diameter in excess of 2-1/2" at RPM above 13,000. Router bits up to 3-1/2" in diameter can be used when speed control is set for 13,000 RPM or less.
16. **ALWAYS KEEP CHIP SHIELD** clean and in place.
17. **AVOID "CLIMB-CUTTING"** (see "Using The Router" section in this manual). "Climb-cutting" increases the chance for loss of control resulting in possible personal injury.
18. **DO NOT HAND-HOLD THE ROUTER IN AN UPSIDE-DOWN OR HORIZONTAL POSITION.** The motor can separate from the base if not properly attached according to the instructions.

SYMBOLS

The label on your tool may include the following symbols:

- | | |
|----------------------------------|-----------------------------------|
| V.....volts | A.....amps |
| Hz.....hertz | W.....watts |
| min.....minutes | ~ or a.c. ..alternating current |
| --- .. direct current | n ₀no load speed |
| □ class II tool | ⊕protective earth |
| /min..... revolutions per minute | |

⚠ CAUTION Do not operate your tool on a current on which the voltage is not within correct limits. Do not operate tools rated A.C. only on D.C. current. To do so may seriously damage the tool.

⚠ WARNING Turn off and unplug the tool before making any adjustments or removing or installing attachments or accessories. Be sure the switch is in the "OFF" position.

⚠ WARNING Use router bits with a diameter larger than 2-1/2" ONLY when the speed control is set between 10,000 and 13,000 RPM. The maximum diameter bit is 3-1/2".

⚠ WARNING Disconnect tool from power source when preparing the router for use, making adjustments, and when router is not in use.

INSTALLING THE BIT (891 AND 892)

1. To remove the motor unit from the base unit:
 - (a) Open the clamp (A) Fig. 1.
 - (b) Push the lever (B) Fig. 1 toward the power unit.
 - (c) Lift the power unit free from the base unit.
2. Clean and insert the shank of the bit into the collet until the shank bottoms, then back it out approximately 1/16".
3. Lay the power unit on its side on a bench with the collet pointing AWAY from you.
4. Press the spindle lock button (A) Fig. 2.
5. Place the wrench on the collet and turn CLOCKWISE to tighten. Tighten firmly.
6. To remove the bit, reverse the procedure.

⚠ CAUTION Avoid possible damage to the collet. Never tighten the collet without a bit.

INSTALLING THE MOTOR

1. Open the clamp (A) Fig. 1 and set the power unit in the base unit.
2. Align the rack and pin (C) Fig. 1 of the power unit with the grooves in the base. Pull the lever (B) Fig. 1, and lower the motor into the base.
3. Close the clamp (A).
4. Reverse the procedure to remove.

ADJUSTING THE DEPTH OF CUT

1. Open the clamp (A) Fig. 3.
2. Pull the lever (B) and set the router on the workpiece. With the router flat and level, let the bit barely touch the workpiece.
3. Hold the lever (B) and turn the depth knob (C) until the zero aligns with the zero mark on the router base.
4. Release the lever (B). Make sure that the zero remains aligned with the zero mark.
5. Turn the knob (C) clockwise to the desired depth of cut.
6. Close the clamp (A).

NOTE: Setting the index line to 1/16" on the knob indicates that the cutting edge of the bit is exposed 1/16" below the base.

VACUUM HOSE

You can attach a standard 1" vacuum hose (A) Fig. 5 to the dust port (B) Fig. 5 to connect the tool to a vacuum cleaner or dust collection system.

INSTALLING AND REMOVING THE BIT (8931 PLUNGE BASE)

To remove the motor unit from the base:

1. Pull the lever (C) Fig. 5 toward you.
2. Remove the power unit from the base.
3. Clean and insert the shank of the bit into the collet until the shank bottoms, then back it out approximately 1/16".
4. Lay the power unit on its side on a bench with the collet pointing AWAY from you.
5. Press the spindle lock button (A) Fig. 2.
6. Place the wrench on the collet and turn CLOCKWISE to tighten. Tighten firmly.
7. To remove the bit, reverse the procedure.

⚠ CAUTION If you remove the springs from the posts (E) Fig. 7 to use the plunge base in a router table, remove the post plugs carefully. They are spring-loaded and should be removed only when the base housing is in the "up" position (Fig. 6).

ADJUSTING THE PLUNGE BASE

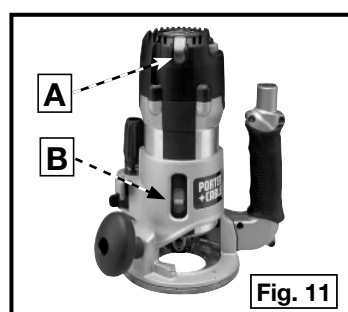
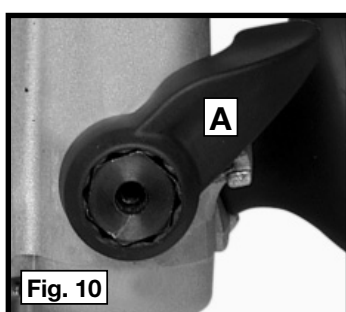
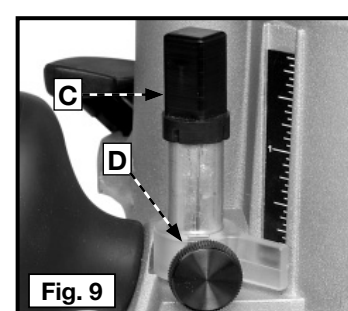
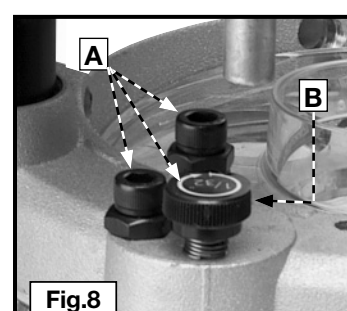
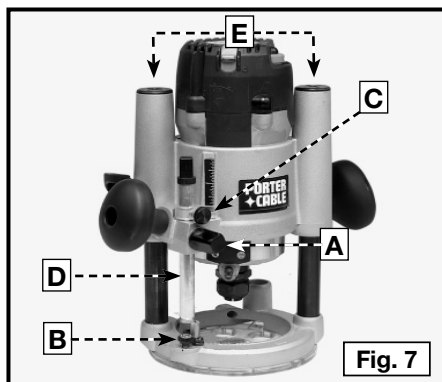
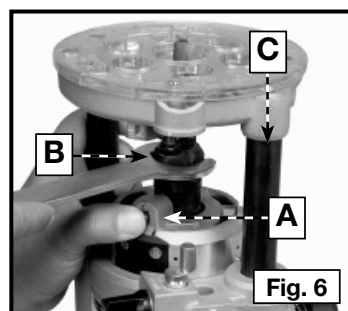
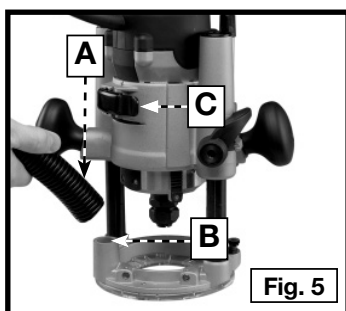
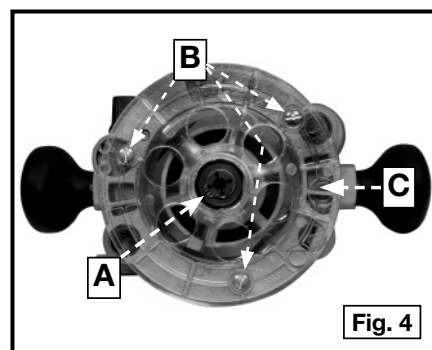
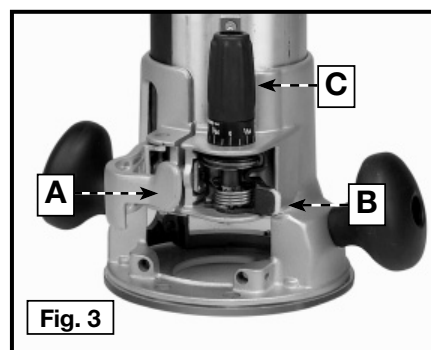
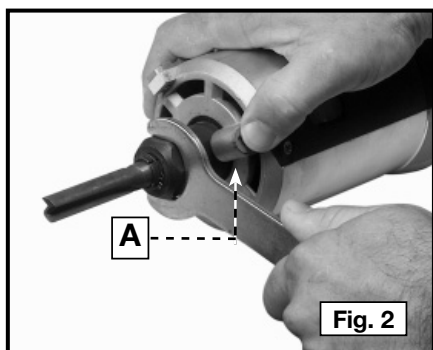
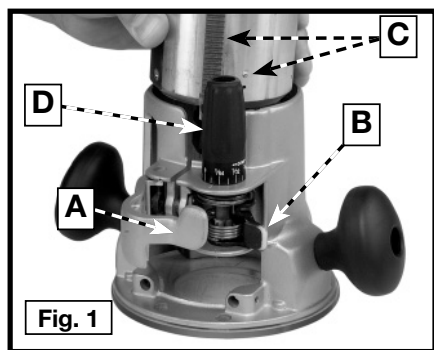
1. Loosen the depth rod locking knob (A) Fig. 7, and depth indicator knob (C) Fig. 7, allowing the depth rod (D) Fig. 7 to contact one of the turret stops (A) Fig. 8. Normally the deepest desired cut is set with the depth rod resting on the base casting (B) Fig. 7. You can adjust the other three adjustable stops (A) Fig. 8 to any desired height. You can also utilize any combination of fixed and/or adjustable stops to achieve the desired depths required for a particular job. The adjustable stop (B) Fig. 8 will raise or lower that stop by 1/32" with one full turn of the stop.
2. Release the plunge mechanism by pulling the locking lever (A) Fig. 10 down. Lower the plunge mechanism until the router bit touches the work surface. Release the lever and push it to the right to lock the mechanism in this position.
3. Tighten the depth-rod locking knob (A) Fig. 7.
4. Position the depth indicator (C) Fig. 9 at the "0" position and tighten the knob (C) Fig. 7.
5. Loosen the depth-rod locking knob (A) Fig. 7, and raise until the indicator aligns with the graduation representing the desired depth of plunge (Fig. 9).

ADJUSTING THE SUB-BASE ALIGNMENT (PLUNGE BASE)

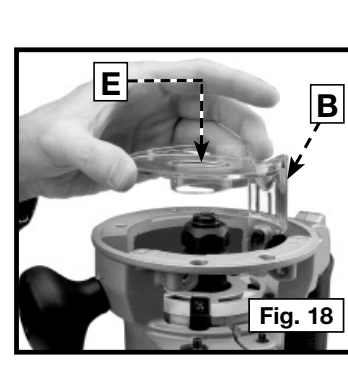
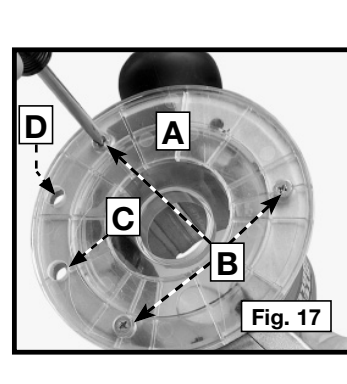
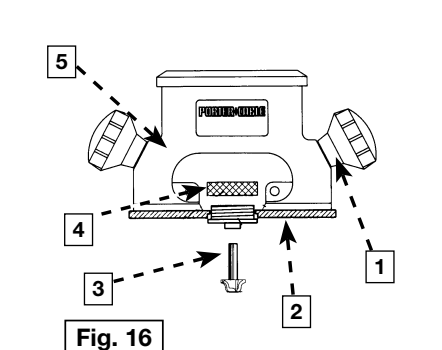
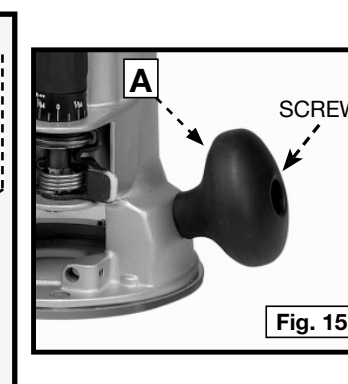
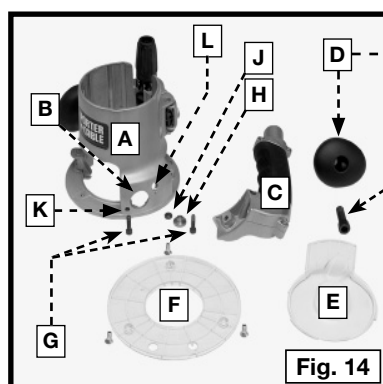
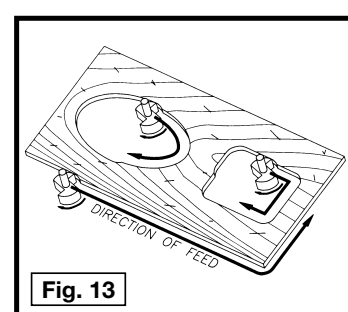
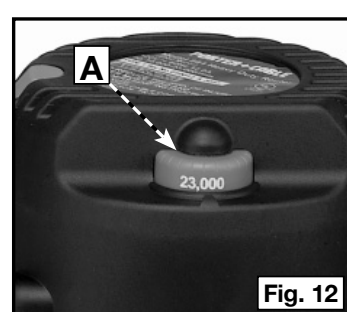
Applications using a templet guide require the bit to be centered in the guide. This, in turn, requires the center hole in the sub-base to be in line with the collet of the motor unit. Your model has an adjustable sub-base that has been aligned at the factory. The fixed-base router comes with the large hole.

⚠ WARNING Turn off and unplug the tool before making any adjustments or removing or installing attachments or accessories. Be sure the switch is in the "OFF" position.

1. Loosen the sub-base mounting screws (B) Fig. 4 just enough to allow the sub-base (C) to move.
2. Open the clamp and adjust the power unit so that the collet nut (A) engages the center hole in the sub-base (C). Allow the sub-base to center itself on the collet nut. Close the clamp.
3. Tighten the sub-base mounting screws (B) Fig. 4 securely.



- | | |
|-------------------|----------------------|
| 1. ROUTER BASE | 1. BASE DE LA TOUPIE |
| 2. SUB-BASE | 2. SOUS-BASE |
| 3. ROUTER BIT | 3. MÈCHE DE TOUPIE |
| 4. TEMPLLET GUIDE | 4. GUIDE DE GABARIT |
| 5. LOCKNUT | 5. CONTRE-ÉCROU |
-
- | |
|-----------------------|
| 1. BASE DEL RAUTER |
| 2. SUB-BASE |
| 3. BROCA |
| 4. GUIA DE PATRON |
| 5. TUERCA INAFLOJABLE |



OPERATION

STARTING AND STOPPING THE MOTOR

CAUTION Before starting the tool, clear the work area of all foreign objects. Keep a firm grip on the tool to resist starting torque. Two switches (A and B) Fig. 11 turn this tool "ON" and "OFF". The upper switch (A) will automatically turn the tool "OFF" if the tool is placed upside down on a surface. Turn the tool "ON" or "OFF" with lower switch (B), using the thumb of the left hand while holding the tool.

CAUTION To avoid injury and/or damage to finished work, always allow the motor to come to a COMPLETE STOP before putting the tool down.

NOTE: For convenient debris collection, you can attach a shop vac to the GripVac™ unit by placing the hose on the GripVac handle Fig. 19. See "ACCESSORIES".

VARIABLE SPEED CONTROL

This router is equipped with a variable speed control (A) Fig. 12 with an infinite number of speeds between 10,000 and 23,000 RPM.

Adjust the speed by turning the speed control knob (A).

CAUTION In low and medium speed operation, the speed control prevents the motor speed from decreasing. If you expect to hear a speed change and continue to load the motor, you could damage the motor by overheating. Reduce the depth of cut and/or slow the feed rate to prevent tool damage.

USING THE TOOL

CAUTION Always be sure the work is rigidly clamped or otherwise secured before making a cut. Since the cutter rotates clockwise (when viewing router from top), move the router from left to right as you stand facing the work. When working on the inside of a templet, move the router in a clockwise direction. When working on the outside of a templet, move the router in a counter-clockwise direction.

WARNING Avoid "Climb-Cutting" (cutting in direction opposite that shown in Fig. 13). "Climb-Cutting" increases the chance for loss of control resulting in possible injury. When "Climb-Cutting" is required (backing around a corner), exercise extreme caution to maintain control of router. Make smaller cuts and remove minimal material with each pass.

GRIPVAC™ PARTS (FIG. 14)

- | | |
|-------------------|-----------------------------|
| A. Router base | B. Dust port |
| C. GripVac handle | D. Removed handle and screw |
| E. Dust deflector | F. Sub-base with screws |
| G. Hex screw (2) | H. Shoulder washer |
| J. Hex nut | |

INSTALLING THE OPTIONAL GRIPVAC™ (892)

- Use a 5/16" hex wrench to loosen the screw in the handle (A) Fig. 15. Remove the handle from the router base. Store the handle and screw for possible later use.
- Remove the plastic plug from the dust port (B) Fig. 14.
- Remove the screws (B) Fig. 17 and remove the sub-base (A) Fig. 17.
- Align the holes of the GripVac™ handle to the holes of the router base.
- Insert a hex screw (G) Fig. 14 through the handle into the hole (K). From inside the base housing, place a shoulder washer (H) Fig. 14 and a hex nut (J) on the screw. Tighten the nut loosely.
- From inside the base housing, insert the second screw (G) Fig. 14 into the hole (11) and screw it into the threaded hole of the GripVac™ handle.
- Turn the router base upside down and place the dust deflector (E) Figs. 14 and 18 into the bottom of the router base by aligning the three plastic tabs on the deflector with the three recesses in the base. Align the extended part of the deflector with the GripVac™ handle. The deflector will be flush with bottom of router base.
- Replace the sub-base and the three screws (Fig. 17).
- Tighten all hardware securely.
- Connect any vacuum/dust collection system with a 1" hose to the Grip Vac™ handle (C) Fig. 19.

SOFT START

This router has a "Soft Start" feature designed to minimize startup reaction torque.

TEMPLAT GUIDES (not available for the Model 892)

A wide variety of templet guides is available for use in pattern and templet routing operations.

WARNING Disconnect the tool from the power source.

To install, insert the templet guide in the center hole of the router base and secure it in place with a locknut. **Before connecting the router to the power source**, install the bit, adjust the depth of cut, and rotate the router chuck by hand to ensure that the bit or collet do not contact the templet guide.

USING A ROUTER ACCESSORY TABLE

The router can be mounted to a router accessory table (not included). To open the clamp for motor removal, use a hex wrench in the hole (C), Fig. 17. To adjust cutting depth, use a hex wrench in the hole (D) Fig. 17. For instructions on how to mount the router to the router accessory table, refer to the accessory table instruction manual.

TROUBLESHOOTING

For assistance with your tool, visit our website at www.porter-cable.com for a list of service centers, or call the Porter-Cable Customer Care Center at (888) 848-5175.

MAINTENANCE

KEEP TOOL CLEAN

Periodically blow out all air passages with dry compressed air. All plastic parts should be cleaned with a soft damp cloth. NEVER use solvents to clean plastic parts. They could possibly dissolve or otherwise damage the material.

WARNING Wear ANSI Z87.1 safety glasses while using compressed air.

FAILURE TO START

Should your tool fail to start, check to make sure the prongs on the cord plug are making good contact in the outlet. Also, check for blown fuses or open circuit breakers in the line.



LUBRICATION

This tool has been lubricated with a sufficient amount of high grade lubricant for the life of the unit under normal operating conditions. No further lubrication is necessary.

BRUSH INSPECTION (If applicable)

For your continued safety and electrical protection, brush inspection and replacement on this tool should ONLY be performed by a Porter-Cable Factory Service Center or a Porter-Cable Authorized Warranty Service Center.

At approximately 100 hours of use, take or send your tool to your nearest Porter-Cable Factory Service Center or a Porter-Cable Authorized Warranty Service Center to be thoroughly cleaned and inspected. Have worn parts replaced and lubricated with fresh lubricant. Have new brushes installed, and test the tool for performance.

Any loss of power before the above maintenance check may indicate the need for immediate servicing of your tool. DO NOT CONTINUE TO OPERATE TOOL UNDER THIS CONDITION. If proper operating voltage is present, return your tool to the service station for immediate service.

SERVICE

REPLACEMENT PARTS

Use only identical replacement parts. For a parts list or to order parts, visit our website at servicenet.porter-cable.com. You can also order parts from your nearest Porter-Cable Factory Service Center or Porter-Cable Authorized Warranty Service Center. Or, you can call our Customer Care Center at (888) 848-5175.

SERVICE AND REPAIRS

All quality tools will eventually require servicing and/or replacement of parts. For information about Porter-Cable, its factory service centers or authorized warranty service centers, visit our website at www.porter-cable.com or call our Customer Care Center at (888) 848-5175. All repairs made by our service centers are fully guaranteed against defective material and workmanship. We cannot guarantee repairs made or attempted by others.

You can also write to us for information at PORTER-CABLE, 4825 Highway 45 North, Jackson, Tennessee 38305 - Attention: Product Service. Be sure to include all of the information shown on the nameplate of your tool (model number, type, serial number, etc.).

ACCESSORIES

A complete line of accessories is available from your Porter-Cable Factory Service Center or a Porter-Cable Authorized Warranty Service Center. Please visit our Web Site www.porter-cable.com for a catalog or for the name of your nearest supplier.

WARNING Since accessories other than those offered by Porter-Cable have not been tested with this product, use of such accessories could be hazardous. For safest operation, only Porter-Cable recommended accessories should be used with this product.

WARRANTY

To register your tool for warranty service visit our website at www.porter-cable.com.

Porter-Cable warrants its Professional Power Tools for a period of one year from the date of original purchase. We will repair or replace at our option, any part or parts of the product and accessories covered under this warranty which, after examination, proves to be defective in workmanship or material during the warranty period. For repair or replacement return the complete tool or accessory, transportation prepaid, to your nearest Porter-Cable Service Center or Authorized Service Station. Proof of purchase may be required. This warranty does not apply to repair or replacement required due to misuse, abuse, normal wear and tear or repairs attempted or made by other than our Service Centers or Authorized Service Stations.

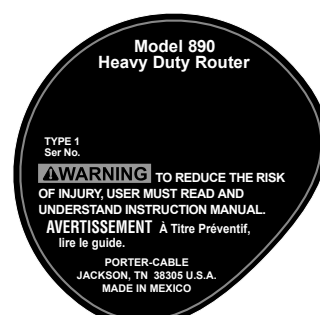
ANY IMPLIED WARRANTY, INCLUDING THE IMPLIED WARRANTIES OF MERCHANTABILITY AND FITNESS FOR A PARTICULAR PURPOSE, WILL LAST ONLY FOR ONE (1) YEAR FROM THE DATE OF PURCHASE.

To obtain information on warranty performance please write to: PORTER-CABLE, 4825 Highway 45 North, Jackson, Tennessee 38305; Attention: Product Service. THE FOREGOING OBLIGATION IS PORTER-CABLE'S SOLE LIABILITY UNDER THIS OR ANY IMPLIED WARRANTY AND UNDER NO CIRCUMSTANCES SHALL PORTER-CABLE BE LIABLE FOR ANY INCIDENTAL OR CONSEQUENTIAL DAMAGES. Some states do not allow limitations on how long an implied warranty lasts or the exclusion or limitation of incidental or consequential damages, so the above limitation or exclusion may not apply to you.

This warranty gives you specific legal rights and you may also have other legal rights which vary from state to state.

WARNING LABEL REPLACEMENT

If your warning labels become illegible or are missing, call (888) 848-5175 for a free replacement.



GUIA LOCALIZACION DE FALLAS

Para obtener ayuda con su herramienta, visite nuestro sitio Web www.porter-cable.com y obtenga una lista de los centros de mantenimiento, o llame al Centro de atención al cliente de Porter-Cable al (888) 848-5175.

MANTENIMIENTO

MANTENGA LA HERRAMIENTA LIMPIA

Periódicamente sople todas las entradas de aire con aire comprimido seco. Todas las piezas de plástico deben limpiarse con un paño suave y húmedo. NUNCA utilice solventes para limpiar las piezas de plástico. Podrían derretirse o dañar el material.

▲ ADVERTENCIA Cuando trabaje con aire comprimido, use anteojos de seguridad conforme a la norma Z87.1 del ANSI.

FALLA EN EL ENCENDIDO

Si la herramienta no enciende, verifique que las patas del enchufe del cable hagan buen contacto en el tomacorriente. Además, revise que no haya fusibles quemados o interruptores automáticos de circuito abierto en la línea.

LUBRICACIÓN

Esta herramienta ha sido aceitada con una cantidad suficiente de lubricante de alto grado para extender la vida de la unidad en condiciones normales de funcionamiento. No se requiere lubricación adicional.

INSPECCIÓN DE LOS CEPILLOS (Si corresponde)

Para mantener la seguridad y la protección eléctrica, la inspección de los cepillos y su reemplazo deben ser realizados ÚNICAMENTE en una ESTACIÓN DE MANTENIMIENTO AUTORIZADA DE PORTER-CABLE o en un CENTRO DE MANTENIMIENTO DE FÁBRICA DE PORTER-CABLE-DELTA.

A las 100 horas de uso aproximadamente, lleve o envíe la herramienta a la Estación de mantenimiento autorizada de Porter-Cable más cercana para una limpieza e inspección exhaustiva. Haga reemplazar las piezas desgastadas y lubrique con lubricante nuevo. Instale nuevos cepillos y pruebe el funcionamiento de la herramienta.

Cualquier pérdida de potencia antes de la comprobación del mantenimiento mencionado puede indicar la necesidad del mantenimiento inmediato de su herramienta. NO CONTINÚE UTILIZANDO LA HERRAMIENTA EN ESTAS CONDICIONES. Si la herramienta presenta un voltaje de funcionamiento correcto, devuélvala para un mantenimiento inmediato.

SERVICIO

PIEZAS DE REPUESTO

Utilice sólo piezas de repuesto idénticas. Para obtener una lista de piezas o para solicitar piezas, visite nuestro sitio Web en servicenet.porter-cable.com. También puede solicitar piezas en nuestro centro más cercano, o llamando a nuestro Centro de atención al cliente al (888) 848-5175.

MANTENIMIENTO Y REPARACIONES

Con el paso del tiempo, todas las herramientas de calidad requieren mantenimiento o reemplazo de las piezas. Para obtener información acerca de Porter-Cable, sus sucursales o un Centro de mantenimiento con garantía autorizado, visite nuestro sitio Web www.porter-cable.com o llame a nuestro Centro de atención al cliente al (888) 848-5175. Todas las reparaciones realizadas en nuestros centros de mantenimiento están completamente garantizadas en relación con los materiales defectuosos y la mano de obra. No podemos otorgar garantías en relación con las reparaciones ni los intentos de reparación de otras personas.

También puede escribirnos solicitando información a PORTER-CABLE, 4825 Highway 45 North, Jackson, Tennessee 38305; referencia: Mantenimiento de productos. Asegúrese de incluir toda la información mencionada en la placa de la herramienta (número de modelo, tipo, número de serie, etc.)

El mantenimiento del cargador no puede ser realizado por el usuario. Dentro del cargador no hay piezas a las que el usuario pueda hacerles el mantenimiento. El mantenimiento de la herramienta debe realizarse en un centro de mantenimiento autorizado para evitar daños a los componentes internos, sensibles a la estática.

ACCESORIOS

Su proveedor de productos Porter-Cable•Delta, los Centros de mantenimiento de fábrica de Porter-Cable•Delta y los Centros de mantenimiento autorizados de Porter-Cable pueden suministrarle una línea completa de accesorios. Para obtener un catálogo o para conocer el nombre de su proveedor más cercano, visite nuestro sitio Web www.porter-cable.com.

▲ ADVERTENCIA Debido a que no se han probado con este producto otros accesorios que no sean los que ofrece Porter-Cable•Delta, el uso de tales accesorios puede ser peligroso. Para un funcionamiento seguro, con este producto sólo deben utilizarse los accesorios recomendados por Porter-Cable•Delta.

REEMPLAZO DE LAS ETIQUETAS DE ADVERTENCIA

Si sus etiquetas de advertencia se vuelven ilegibles o faltan, llame al (888) 848-5175 para que se las reemplacen gratuitamente.

The gray & black color scheme is a trademark for Porter-Cable Power Tools and Accessories. The following are also trademarks for one or more Porter-Cable and Delta products: • L'agencement de couleurs grise et noire est une marque de commerce des outils électriques et accessoires Porter-Cable. Les marques suivantes sont également des marques de commerce se rapportant à un ou plusieurs produits Porter-Cable ou Delta : • El gráfico de color negro y gris es una marca registrada para las herramientas eléctricas y los accesorios Porter-Cable. Las siguientes también son marcas comerciales para uno o más productos de Porter-Cable y Delta: 2 BY 4[®], 890[™], Air America[®], AIRBOSS[®], Auto-Set[®], B.O.S.S.[®], Bammer[®], Biesemeyer[®], Builders Saw[®], Charge Air[®], Charge Air Pro[®], CONTRACTOR SUPERDUTY[®], Contractor's Saw[®], Delta[®], DELTA[®], Delta Industrial[®], DELTA MACHINERY & DESIGN[™], Delta Shopmaster and Design[®], Delta X5[®], Deltacraft[®], DELTAGRAM[®], Do It. Feel It.[®], DUAL LASERLOC AND DESIGN[®], EASY AIR[®], EASY AIR TO GO[™], ENDURADIAMOND[®], Ex-Cell[®], Front Bevel Lock[®], Get Yours While the Sun Shines[®], Grip to Fit[®], GRIPVAC[™], GTF[®], HICKORY WOODWORKING[®], Homecraft[®], HP FRAMER HIGH PRESSURE[®], IMPACT SERIES[®], Innovation That Works[®], Jet-Lock[®], Job Boss[®], Kickstand[®], LASERLOC[®], LONG-LASTING WORK LIFE[®], MAX FORCE[™], MAX LIFE[®], Micro-Set[®], Midi-Lathe[®], Monsoon[®], MONSTER-CARBIDE[™], Network[®], QLDHAM[®], Omnijig[®], PC EDGE[®], Performance Crew[™], Performance Gear[®], Pocket Cutter[®], Porta-Band[®], Porta-Plane[®], Porter Cable[®], Porter-Cable Professional Power Tools[™], Powerback[®], POZI-STOP[™], Pressure Wave[®], PRO 4000[®], Proair[®], Quicksand and Design[®], Quickset II[®], QUIET DRIVE TECHNOLOGY[™], QUIET DRIVE TECHNOLOGY AND DESIGN[™], Quik-Change[®], QUIK-TILT[®], RAPID-RELEASE[®], RAZOR[®], Redefining Performance[®], Riptide[®], Safe Guard II[®], Sand Trap and Design[®], Sanding Center[®], Saw Boss[®], Shop Boss[®], Sidekick[®], Site Boss[®], Speed-Bloc[®], Speedmatic[®], Stair Ease[®], Steel Driver Series[®], SUPERDUTY[®], T4 & DESIGN[®], THE AMERICAN WOODSHOP[®], THE PROFESSIONAL EDGE[®], Thin-Line[®], Tiger Saw[®], TIGERCLAW[®], TIGERCLAW AND DESIGN[®], Torq-Buster[®], TRU-MATCH[®], T-Square[®], Twinlaser[®], Unifence[®], Uniguard[™], UNIRIP[®], UNISAW[®], UNITED STATES SAW[®], Veri-Set[®], Versa-Feeder[®], VIPER[®], VT[™], VT RAZOR[™], Water Driver[®], WATER VROOM[®], Waveform[®], Whisper Series[®], X5[®], YOUR ACHIEVEMENT. OUR TOOLS[®].

Trademarks noted with ® are registered in the United States Patent and Trademark Office and may also be registered in other countries. Other trademarks may apply. • Les marques de commerce du symbole ® sont enregistrées auprès du United States Patent and Trademark Office et peuvent être enregistrées dans d'autres pays. D'autres marques de commerce peuvent également être applicables. • Las marcas comerciales con el símbolo ® están registradas en la Oficina de patentes y marcas comerciales de Estados Unidos (United States Patent and Trademark Office), y también pueden estar registradas en otros países. Posiblemente se apliquen otras marcas comerciales registradas.



PÓLIZA DE GARANTÍA

IDENTIFICACIÓN DEL PRODUCTO:

Sello o firma del Distribuidor.Nombre del producto: _____ Mod./Cat.: _____

Marca: _____ Núm. de serie: _____

(Datos para ser llenados por el distribuidor)Fecha de compra y/o entrega del producto:

_____. Nombre y domicilio del distribuidor donde se adquirió el producto:

_____ Este

producto está garantizado por un año a partir de la fecha de entrega, contra cualquier defecto en su funcionamiento, así como en materiales y mano de obra empleados para su fabricación. Nuestra garantía incluye la reparación o reposición del producto y/o componentes sincargo alguno para el cliente, incluyendo mano de obra, así como los gastos de transportaciónrazonablemente erogados derivados del cumplimiento de este certificado.Para hacer efectiva esta garantía deberá presentar su herramienta y esta póliza sellada por elestablecimiento comercial donde se adquirió el producto, de no contar con ésta, bastará la fac-tura de compra.

EXCEPCIONES

Esta garantía no será válida en los siguientes casos:

- Cuando el producto se hubiese utilizado en condiciones distintas a las normales;
- Cuando el producto no hubiese sido operado de acuerdo con el instructivo de uso que seacompaña;
- Cuando el producto hubiese sido alterado o reparado por personas distintas a las enlis-tadas al final de este certificado.

Anexo encontrará una relación de sucursales de servicio de fábrica, centros de servicio autor-izados y franquiciados en la República Mexicana, donde podrá hacer efectiva su garantía yadquirir partes, refacciones y accesorios originales.

ESPECIFICACIONES

120 volt / 10,000-23,000 RPMs / 12 amps

Para servicio y ventas consulte
"HERRAMIENTAS ELECTRICAS"
en la sección amarilla.



PÓLIZA DE GARANTÍA LIMITADA DE 1 AÑO DE PORTER-CABLE

La Compañía de Porter-Cable garantiza sus herramientas mecánicas profesionales por un período de 1 año a partir de la fecha de compra. Porter-Cable reparará o reemplazará – según nuestra opción – cualquier parte o partes de la herramienta o de los accesorios protegidos bajo esta garantía que, después de examinarlas, demuestren cualquier defecto en los materiales o mano de obra durante el periodo de la garantía. Para reparación o reemplazo, devuelva la herramienta o accesorio completo, cubriendo el precio de transporte, al Centro de Servicio de Porter-Cable o a la Estación de Servicio Autorizado más cercana. Puede ser que requiera prueba de compra. Esta garantía no incluye la reparación o reemplazo en caso de mal uso, abuso o desgaste normal de la herramienta así como reparaciones efectuadas o atentadas por otros medios que no sean de los Centros de Servicio de Porter-Cable o las Estaciones de Servicio Autorizado por Porter-Cable.

CUALQUIER GARANTÍA IMPLÍCITA, INCLUSO LAS GARANTÍAS DE COMERCIALIZACIÓN Y APTITUD PARA PROPOSITOS ESPECIALES O PARTICULARES, DURARÁN POR SÓLO UN (1) AÑO A PARTIR DE LA FECHA DE COMPRA.

Para obtener información de la garantía de desempeño haga el favor de escribir a PORTER-CABLE, 4825 Highway 45 North, Jackson, Tennessee 38305; Attention: Product Service. LA OBLIGACIÓN ANTERIORMENTE MENCIONADA ES LA ÚNICA RESPONSABILIDAD DE PORTER-CABLE BAJO ESTA O CUALQUIER GARANTÍA IMPLICADA. PORTER-CABLE DE NINGUNA MANERA SERÁ RESPONSABLE POR NINGÚN DAÑO INCIDENTAL O CONSECUENTE. Algunos estados no permiten limitaciones de tiempo de garantías implicadas ni la exclusión o la limitación de daños incidentales o consecuentes, así que puede que la limitación o la exclusión no le aplique a usted.

Esta garantía le da a usted unos derechos legales específicos. Puede ser que usted tenga también otros derechos legales los cuales varían de un estado a otro.

PORTER-CABLE®

4825 Highway 45 North
Jackson, TN 38305
(888) 848-5175

www.porter-cable.com