

*If you have questions or comments, contact us.
Pour toute question ou tout commentaire, nous contacter.
Si tiene dudas o comentarios, contáctenos.*

1-888-895-4549 • www.dewalt.com

**INSTRUCTION MANUAL
GUIDE D'UTILISATION
MANUAL DE INSTRUCCIONES**

INSTRUCTIVO DE OPERACIÓN, CENTROS DE SERVICIO Y PÓLIZA DE GARANTÍA. **ADVERTENCIA:** LÉASE ESTE INSTRUCTIVO ANTES DE USAR EL PRODUCTO.

DEWALT®

DXCMTB5590856

160cc, Gas Wheeled Portable Air Compressor

160cc, gaz roues de compresseur portatif

160cc, gas ruedas de compresor portátil

Air Compressor

- A. Pump Air Intake Filter
- B. Engine Air Filter
- C. Engine On/Off Switch
- D. Air Tank Pressure Gauge
- E. Regulated Pressure Gauge
- F. Pressure Regulator
- G. Air Outlet
- H. Unloader Valve
- I. Safety Valve
- J. Air Tank Drain Valve(s)
- K. Pump Oil Dipstick/Oil Fill Plug
- L. Pump Oil Drain Plug
- M. Fixed Throttle
- N. Choke Control
- O. Fuel Valve Lever
- P. Starter Grip

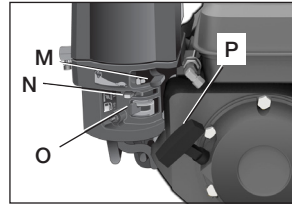
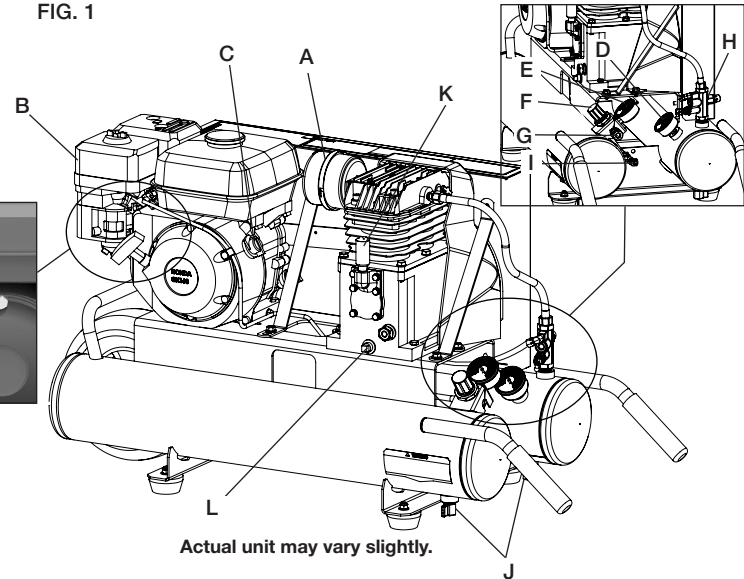


FIG. 1



Actual unit may vary slightly.

Pump Specifications

- Inline, vertical twin cylinder
- Single stage
- Oil lubricated
- Cast iron crankcase and cylinder
- Weight: 49 lbs. (22.2 kg)
- Oil Capacity: 16 oz. (473 mL)

Engine Specifications

- Honda 160 cc
- Internal Combustion
- 4-stroke

High RPM 2000-3600

Idle RPM 1250-1600

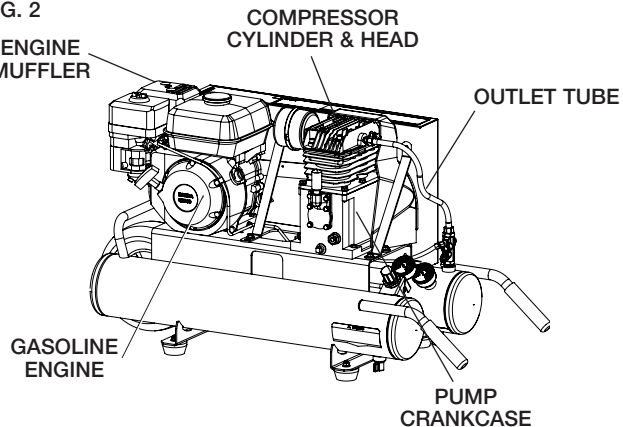
Specifications

MODEL	DXCMTB5590856
WEIGHT	168 lbs. (76.2 kg)
HEIGHT	24.14" (536.9 mm)
WIDTH	17.26" (438.4 mm)
LENGTH	44.65" (1134.1 mm)
AIR TANK CAPACITY	8 gallons (30.3 liters)

MODEL	DXCMTB5590856
APPROX. BLOW OFF PRESSURE	150 psi
SCFM @ 100 PSI	9.9 *
* Tested per ISO 1217	

Hot Surfaces

FIG. 2



Definitions: Safety Guidelines

The definitions below describe the level of severity for each signal word. Please read the manual and pay attention to these symbols.

⚠DANGER: Indicates an imminently hazardous situation which, if not avoided, will result in death or serious injury.

⚠WARNING: Indicates a potentially hazardous situation which, if not avoided, could result in death or serious injury.

⚠CAUTION: Indicates a potentially hazardous situation which, if not avoided, may result in minor or moderate injury.

NOTICE: Indicates a practice not related to personal injury which, if not avoided, may result in property damage.

IF YOU HAVE ANY QUESTIONS OR COMMENTS ABOUT THIS OR ANY DEWALT TOOL, CALL US TOLL FREE AT: 1-888-895-4549

Important Safety Instructions

⚠DANGER: Carbon Monoxide. Using an engine indoors can kill you in minutes. Engine exhaust contains high levels of carbon monoxide (CO), a poisonous gas you cannot see or smell. You may be breathing CO even if you DO NOT smell engine exhaust.

- **NEVER** use an engine inside homes, garages, crawlspaces, or other partly enclosed areas. Deadly levels of carbon monoxide can build up in these areas. Using a fan or opening windows and doors does **NOT** supply enough fresh air.
- **ONLY** use outdoors and far away from open windows, doors and vents. These openings can pull in engine exhaust.
- Even when the engine is used correctly, CO may leak into your home. **ALWAYS** use a battery-powered or battery backup CO alarm (not supplied) in the home. **Read and follow all directions for CO alarm before using.** If you start to feel sick, dizzy or weak at anytime, move to fresh air immediately. See a doctor. You could have carbon monoxide poisoning.

⚠ WARNING: Do not operate this unit until you read this instruction manual and the engine instruction manual for safety, operation and maintenance instructions.

⚠ WARNING: This product may not be equipped with a spark-arresting muffler. If the product is not equipped and will be used around flammable materials or on land covered with materials such as agricultural crops, forest, brush, grass or other similar items, then an approved spark arrester must be installed and is legally required in the state of California. It is a violation of California statutes section 130050 and/or sections 4442 and 4443 of the California Public Resources Code, unless the engine is equipped with a spark arrester, as defined in section 4442, and maintained in effective working order. Spark arresters are also required on some U.S. Forest Service land and may also be legally required under other statutes and ordinances.

⚠ WARNING: CONTAINS LEAD. May be harmful if eaten or chewed. May generate dust containing lead. Wash hands after use. Keep out of reach of children.

⚠ WARNING: This product can expose you to chemicals including Lead, which is known to the State of California to cause cancer and birth defects or other reproductive harm. For more information go to www.P65Warnings.ca.gov.

SAVE THESE INSTRUCTIONS



⚠ DANGER: RISK OF EXPLOSION OR FIRE

WHAT CAN HAPPEN

- Spilled gasoline and it's vapors can become ignited from cigarette sparks, electrical arcing, exhaust gases and hot engine components such as the muffler.
- Heat will expand fuel in the tank which could result in spillage and possible fire or explosion.

HOW TO PREVENT IT

- Shut off engine and allow it to cool before adding fuel to the tank.
- Use care in filling tank to avoid spilling fuel. Move unit away from fueling area before starting engine.
- Keep maximum fuel level 1/2" (12.7 mm) below bottom of filler neck to allow for expansion.



⚠ DANGER: RISK TO BREATHING (ASPHYXIATION)

WHAT CAN HAPPEN

- Breathing exhaust fumes will cause serious injury or death! Engine exhaust contains carbon monoxide, an odorless and deadly gas.
- The compressed air directly from your compressor is not safe for breathing. The air stream may contain carbon monoxide, toxic vapors, or solid particles from the air tank. Breathing these contaminants can cause serious injury or death.

HOW TO PREVENT IT

- Always operate air compressor outside in a clean, well ventilated area. Avoid enclosed areas such as garages, basements, storage sheds, which lack a steady exchange of air. Keep children, pets and others away from area of operation.
- Never use air obtained directly from the compressor to supply air for human consumption. The compressor is not equipped with suitable filters and in-line safety equipment for human consumption.

- **Combustible materials which come into contact with hot engine parts can become ignited.**
- Add fuel outdoors in a well ventilated area. Make sure there are no sources of ignition, such as cigarettes near refueling location.
- Operate compressor in a clean, dry, well ventilated area a minimum of 48" (1.22 m) from any building, object or wall. Do not operate unit indoors or in any confined area.
- Operate compressor in an open area away from dry brush, weeds or other combustible materials.
- Store fuel in an OSHA-approved container, in a secure location away from work area.
- Always remain in attendance with the product when it is operating.
- Improperly stored fuel could lead to accidental ignition. Fuel improperly secured could get into the hands of children or other unqualified persons.
- **Unattended operation of this product could result in personal injury or property damage. To reduce the risk of fire, do not allow the compressor to operate unattended.**

- Exposure to chemicals in dust created by power sanding, sawing, grinding, drilling and other construction activities may be harmful.
- Sprayed materials such as paint, paint solvents, paint remover, insecticides, weed killers, may contain harmful vapors and poisons.
- Work in an area with good cross ventilation. Read and follow the safety instructions provided on the label or safety data sheets for the materials you are spraying. Always use certified safety equipment: NIOSH/OSHA respiratory protection or properly fitting face mask designed for use with your specific application.



▲ WARNING: RISK OF BURSTING

Air Tank: On February 26, 2002, the U.S. Consumer Product Safety Commission published Release # 02-108 concerning air compressor tank safety:

Air compressor receiver tanks do not have an infinite life. Tank life is dependent upon several factors, some of which include operating conditions, ambient conditions, proper installations, field modifications, and the level of maintenance. The exact effect of these factors on air receiver life is difficult to predict.

If proper maintenance procedures are not followed, internal corrosion to the inner wall of the air receiver tank can cause the air tank to unexpectedly rupture allowing pressurized air to suddenly and forcefully escape, posing risk of injury to consumers. Your compressor air tank must be removed from service by the end of the year shown on your tank warning label.

The following conditions could lead to a weakening of the air tank, and result in a violent air tank explosion:

WHAT CAN HAPPEN

- Failure to properly drain condensed water from air tank, causing rust and thinning of the steel air tank.
- Modifications or attempted repairs to the air tank.
- Unauthorized modifications to the unloader valve, safety valve, or any other components which control air tank pressure.

HOW TO PREVENT IT

- Drain air tank daily or after each use. If air tank develops a leak, replace it immediately with a new air tank or replace the entire compressor.
- Never drill into, weld or make any modifications to the air tank or its attachments. Never attempt to repair a damaged or leaking air tank. Replace with a new air tank.
- The air tank is designed to withstand specific operating pressures. Never make adjustments or parts substitutions to alter the factory set operating pressures.

- Excessive vibration can weaken the air tank and cause rupture or explosion. Excessive vibration will occur if the compressor is not properly mounted or if engine operates above recommended RPM.
- Do not remove the stiffener bar connecting the compressor pump to the engine, except to adjust belt tension. Then securely tighten the stiffener bar bolts. This bar controls unit vibration.

Attachments & accessories:

- Exceeding the pressure rating of air tools, spray guns, air operated accessories, tires and other inflatables can cause them to explode or fly apart, and could result in serious injury.
- Follow the equipment manufacturers recommendation and never exceed the maximum allowable pressure rating of attachments. Never use compressor to inflate small low pressure objects such as children's toys, footballs, basketballs, etc.

Tires:

- Over inflation of tires could result in serious injury and property damage.
- Use a tire pressure gauge to check the tires pressure before each use and while inflating tires; see the tire sidewall for the correct tire pressure.

NOTE: Air tanks, compressors and similar equipment used to inflate tires can fill small tires very rapidly. Adjust pressure regulator on air supply to no more than the rating of the tire pressure. Add air in small increments and frequently use the tire gauge to prevent over inflation.



⚠ WARNING: RISK FROM FLYING OBJECTS

WHAT CAN HAPPEN

- The compressed air stream can cause soft tissue damage to exposed skin and can propel dirt, chips, loose particles and small objects at high speed, resulting in property damage or personal injury.

HOW TO PREVENT IT

- Always wear certified safety equipment: ANSI Z87.1 eye protection (CAN/CSA Z94.3) with side shields when using the compressor.
- Never point any nozzle or sprayer toward any part of the body or at other people or animals.
- Always turn the compressor off and bleed pressure from the air hose and air tank before attempting maintenance, attaching tools or accessories.



⚠ WARNING: RISK OF HOT SURFACES

WHAT CAN HAPPEN

- Touching exposed metal such as the compressor head, engine head, engine exhaust or outlet tubes, can result in serious burns.

HOW TO PREVENT IT

- Never touch any exposed metal parts on compressor during or immediately after operation. Compressor will remain hot for several minutes after operation
- Do not reach around protective shrouds or attempt maintenance until unit has been allowed to cool.



⚠ WARNING: RISK FROM MOVING PARTS

WHAT CAN HAPPEN

- The engine can start accidentally if the flywheel is turned by hand or moved by pulling on the starter rope.

HOW TO PREVENT IT

- Always disconnect the spark plug and bleed pressure from the air tank before performing maintenance.

- Moving parts such as the pulley, flywheel, and belt can cause serious injury if they come into contact with you or your clothing.
- Never operate the compressor with guards or covers which are damaged or removed.
- Keep your hair, clothing and gloves away from moving parts. Loose clothes, jewelry or long hair can be caught in moving parts.
- Air vents may cover moving parts and should be avoided as well.
- Any repairs required on this product should be performed by a DEWALT factory service center or a DEWALT authorized service center.
- Attempting to operate compressor with damaged or missing parts or attempting to repair compressor with protective shrouds removed can expose you to moving parts and can result in serious injury.



⚠ WARNING: RISK OF UNSAFE OPERATION

WHAT CAN HAPPEN

- Unsafe operation of your air compressor could lead to serious injury or death to you or others.

HOW TO PREVENT IT

- Review and understand all instructions and warnings in this manual.
- Become familiar with the operation and controls of the air compressor.
- Keep operating area clear of all persons, pets, and obstacles.
- Keep children away from the air compressor at all times.
- Do not operate the product when fatigued or under the influence of alcohol or drugs. Stay alert at all times.
- Never defeat the safety features of this product.
- Equip area of operation with a fire extinguisher.
- Do not operate machine with missing, broken, or unauthorized parts.
- Never stand on the compressor.



⚠️ WARNING: RISK FROM NOISE

WHAT CAN HAPPEN

- Under some conditions and duration of use, noise from this product may contribute to hearing loss.

HOW TO PREVENT IT

- Always wear certified safety equipment: ANSI S12.6 (S3.19) hearing protection.



⚠️ WARNING: RISK OF INJURY FROM LIFTING

WHAT CAN HAPPEN

- Serious injury can result from attempting to lift too heavy an object.

HOW TO PREVENT IT

- The compressor is too heavy to be lifted by one person. Obtain assistance from others before lifting.



⚠️ WARNING: RISK OF INJURY OR PROPERTY DAMAGE WHEN TRANSPORTING OR STORING

WHAT CAN HAPPEN

- Oil can leak or spill and could result in fire or breathing hazard; serious injury or death can result. Oil leaks will damage carpet, paint or other surfaces in vehicles or trailers.

HOW TO PREVENT IT

- Always place compressor on a protective mat when transporting to protect against damage to vehicle from leaks. Remove compressor from vehicle immediately upon arrival at your destination. Always keep compressor level and never lie on its side.

**SAVE THESE INSTRUCTIONS
FOR FUTURE USE**

FEATURES

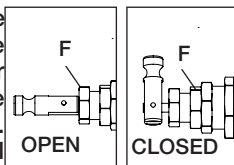
UNLOADER VALVE

When the maximum air tank pressure is obtained, the unloader valve (H) will blow-off. This will cause the compressor to exhaust the air to the atmosphere and not the tank. The valve is preset by the manufacturer and must not be removed or modified in any way.

Manual Lock: The manual lock allows you to manually unload the compressor with air pressure in the air tank. To operate the manual lock:

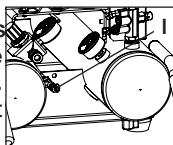
Rotate the manual lock unloader lever to the **open** position to prevent air tank pressure buildup. Rotate manual lock unloader lever to the **closed** position after starting the engine to allow air tank pressure to build.

NOTE: Air will not build in tank when manual lock unloader lever in the **open** position.



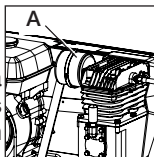
SAFETY VALVE

This valve (I) is designed to prevent system failures by relieving pressure from the system when the compressed air reaches a predetermined level. The valve is preset by the manufacturer and must not be removed or modified in any way.



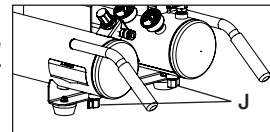
AIR INTAKE FILTER

The filter (A) is designed to clean air entering the pump. To ensure the pump continually receives a clean, cool, and dry air supply the filter must always be clean and the filter intake must be free from obstructions.



AIR TANK DRAIN VALVES

The drain valve (J) is used to remove moisture from the air tank after the air compressor is shut off.

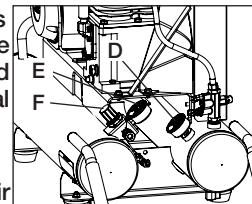


AIR TANK PRESSURE GAUGE

The air tank pressure gauge (D) indicates air pressure in the air tank.

REGULATED PRESSURE GAUGE

The regulated pressure gauge (E) indicates the air pressure available at the outlet side of the regulator. This pressure is controlled by the regulator and is always less or equal to the air tank pressure.



REGULATOR

The regulator knob (F) controls the air pressure coming from the air tank.

To Adjust Regulator:

1. Pull regulator knob (F) out to unlock.
2. Turn knob clockwise to increase regulated pressure and counterclockwise to decrease regulated pressure.
3. When desired pressure is shown on the regulated pressure gauge push knob in to lock.

⚠WARNING: Risk of Bursting. Too much air pressure causes a hazardous risk of bursting. Check the manufacturer's maximum pressure rating for air tools and accessories. The regulator outlet pressure must never exceed the maximum pressure rating.

THROTTLE CONTROL

When maximum air tank pressure is reached and the unloader valve vents air, it activates the throttle control on the engine.

This gas saving feature holds the engine at a factory-set idling speed until air pressure in the air tank drops to reset pressure. The unloader valve then reactivates the throttle control and accelerates the engine to full throttle.

LOW OIL SHUT DOWN SENSORS

The air compressor engine is equipped with low oil shutdown sensors. These are safety devices designed to protect your engine from damage in the event the oil level in the crankcase is below minimum.

If the oil in engine gets low while the air compressor is running it will automatically shut down the engine and will not restart until oil is added to the engine. If the oil is low before start-up, the engine will not start until oil is added.

NOTE: The low oil shutdown sensors are very sensitive. You must fill the engine to the full mark on the dipstick to inactivate this safety device.

INSTALLATION

Assembly (Fig. 1)

INSTALLING HOSES

⚠WARNING: Risk of unsafe operation. Firmly grasp hose in hand when installing or disconnecting to prevent hose whip.

1. Ensure regulated pressure gauge reads 0 psi.
2. Apply sealant tape to hose threads.
3. Assemble hose to air outlet (G).

NOTICE: Do not assemble splitters directly to the air outlet (G).

NOTE: Assembling quick connect bodies to air outlet (G) and quick connect plugs to hose ends make connecting and disconnecting hoses simple and easy. Quick connect bodies

and plugs are available for purchase from your local dealer or authorized service center.

DISCONNECTING HOSES

⚠WARNING: Risk of unsafe operation. Firmly grasp hose in hand when installing or disconnecting to prevent hose whip.

1. Ensure regulated pressure gauge reads 0 psi.
2. Remove hose(s) from air outlet(s) (G).

Lubrication and Oil

ENGINE

1. The engine was filled **WITH** oil at the manufacturer. Check engine oil level before operating unit. If necessary, fill engine to the appropriate level with recommended oil, see engine's instruction manual supplied by engine manufacturer for correct procedure.
2. Add fuel to engine. See engine's instruction manual supplied by engine manufacturer for correct procedure.

⚠WARNING: Risk of explosion or fire. Gasoline vapor is highly flammable. Refuel outdoors preferably, or only in well-ventilated areas. Do not refuel or check gasoline level while the engine is running. Do not store, spill, or use gasoline near an open flame, a source of sparks (such as welding), or near operating electrical equipment.

AIR COMPRESSOR

The air compressor pump was filled **WITH** oil at the manufacturer. Check air compressor pump oil level before operating unit. See **Compressor Pump Oil** under *Maintenance*.

Compatibility

Air tools and accessories that are run off the compressor must be compatible with petroleum based products. If you suspect

that a material is not compatible with petroleum products, an air line filter for removal of moisture and oil vapor in compressed air is required.

NOTICE: Always use an air line filter to remove moisture and oil vapor when spraying paint.

Location

▲ DANGER: Risk of breathing. Exhaust from the gasoline engine contains deadly carbon monoxide, which is odorless and toxic. Operate engine only in well ventilated areas.

NOTICE: Risk of property damage. In order to avoid damaging the air compressor, do not allow the unit to be tilted more than 10° when operating.

Place air compressor at least 4 feet (1.2 m) away from obstacles that may prevent proper ventilation. Keep unit away from areas that have dirt, vapor and volatile fumes in the atmosphere which may clog and gum up the intake filter and valves, causing inefficient operation.

HUMID AREAS

In frequently humid areas, moisture may form in the pump and produce sludge in the oil, causing running parts to wear out prematurely. Excessive moisture is especially likely to occur if the unit is located in an unheated area that is subject to large temperature changes. Two signs of excessive humidity are external condensation on the pump when it cools down and a “milky” appearance in compressor oil. You may be able to prevent moisture from forming in the pump by increasing ventilation or operating for longer intervals.

NOISE CONSIDERATIONS

Consult local officials for information regarding acceptable noise levels in your area. To reduce excessive noise, use vibration

mounts or silencers, relocate the unit or baffle walls. Contact a DeWALT service center or call 1-888-895-4549 for assistance.

TRANSPORTING

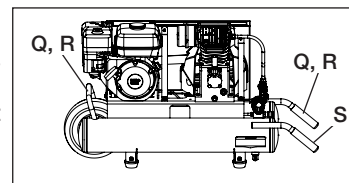
▲ WARNING: Risk injury from lifting. Unit weighs more than 168 lbs. (76.2 kg) Do not move or lift without assistance.

NOTICE: Risk of property damage. The wheels and handle do not provide adequate clearance, stability or support for pulling the unit up and down stairs or steps. The unit must be lifted, or pushed up a ramp.

NOTICE: Risk of property damage. Place engine fuel valve lever (O) in the OFF position before moving or transporting unit.

When transporting the

compressor in a vehicle, trailer, etc. ensure that the air tank is drained and the unit is secured and placed on a protective mat on a flat horizontal surface. **DO NOT** store in a standing position.



NOTE: Use recommended tie down points (Q) when transporting. Use care when driving so to avoid tipping the unit over in the vehicle. Damage can occur to the unit or surrounding items if unit is tipped. Use a ramp if loading or unloading the unit from a height of more than 12" (30.5 cm).

LIFTING

Always lift from the recommended lift points (R).

▲ WARNING: Risk injury from lifting. Unit weighs more than 168 lbs. (76.2 kg) Do not move or lift without assistance.

NOTICE: Risk of property damage. Place engine fuel valve lever (O) in the OFF position before moving or transporting unit.

MOVING

1. Grasp handle (S) of compressor, and lift compressor high enough so unit can be rolled on the front tire(s).

⚠WARNING: Risk of unsafe operation. Ensure proper footing and use caution when rolling compressor so that unit does not tip or cause loss of balance.

NOTICE: Risk of property damage. Place engine fuel valve lever (O) in the OFF position before moving or transporting unit.

2. When location is reached slowly lower rear of compressor to ground. Always store compressor in a horizontal position. **DO NOT** store in a standing position.

NOTE: Should the unit tip over, hard starting and smoking will occur due to oil spillage.

PREPARATION FOR USE

Pre-Start Checklist (Fig. 1)

1. Ensure engine ON/OFF switch (C) is in the OFF position.
2. Ensure air tank is drained, see **Draining Air Tank** under *Maintenance*.
3. Ensure the drain valve (J) is closed.
4. Ensure safety valve (I) is functioning properly, see **Checking Safety Valve** under *Maintenance*.
5. Check pump oil level, see **Compressor Pump Oil** under *Maintenance*.

NOTICE: Do not operate without oil or with inadequate oil. DEWALT is not responsible for compressor failure caused by inadequate oil.

6. Check engine's oil and fuel level, see engine's instruction manual for correct procedures.
7. Visually inspect drive belt. Replace belt if frayed, cracked, or worn. **NOTE:** Outer belt cover must be removed to inspect drive belt.

8. Ensure all guards, covers, and labels are in place, legible (for labels) and securely mounted. Do not use compressor until all items have been verified.

Initial Set-up (Fig. 1)

⚠WARNING: Do not operate this unit until you read and understand this instruction manual and the engine instruction manual for safety, operation and maintenance instructions.

BREAK-IN PROCEDURE

NOTICE: Risk of property damage. Serious damage may result if the following break-in instructions are not closely followed.

This procedure is required:

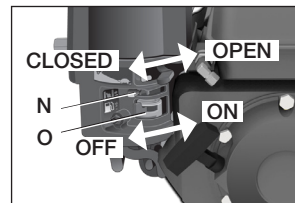
- Before the air compressor is used for the first time.
- When the unloader valve has been replaced.
- When the compressor pump has been replaced.

The procedure:

1. Follow **Pre-Start Checklist** under *Preparation for Use*.
2. Rotate the unloader's manual lock to the open position to prevent air tank pressure buildup.
3. Open the pressure regulator. Pull regulator knob (F) out and rotate clockwise until it stops.

⚠WARNING: Do not operate this unit until you read and understand the engine instruction's manual for safety, operation and maintenance instructions.

4. Prepare engine for first time use, see engine's instruction manual for correct procedure.
5. Turn the engine ON/OFF switch (C) to the ON position.
6. Place the fuel valve lever (O) in the ON position.



- If the engine is cold, move the choke (N) to the CLOSED position as shown. If the engine is hot, move the choke to the OPEN position.

⚠WARNING: Risk of unsafe operation. Pull starter grip slowly until resistance is felt. Then pull starter grip (P) rapidly to avoid kickback and prevent hand or arm injury.

NOTICE: Do not allow the starter grip to snap back. Return it gently by hand.

NOTE: If the engine does not start, check the oil level and add oil as needed.

NOTE: To ensure maximum oil lubrication, place the unit on a level surface.

- As the engine warms up, move the choke to the OPEN position.
- Run the air compressor for **30 minutes** to seat the rings and lubricate all the internal surfaces. Ensure there is no pressure build up in the air tank by observing the reading on the air tank pressure gauge.
- Rotate the manual lock on the unloader valve into the closed position so the air tank pressure can build.
- Close the pressure regulator. Rotate the regulator knob (F) counterclockwise to its built-in stop and push knob in to lock in place. This will allow air to build pressure in the air tank.
- Compressed air will be available from the hose air outlet until it is used up or bled off.

OPERATING PROCEDURES

Start-up (Fig. 1)

- Follow Pre-Start Checklist under *Preparation for Use*.

- Pull out and turn regulator knob (F) counterclockwise until fully closed. Push in to lock. Regulated pressure gauge should read 0 psi.
- Rotate the manual lock unloader lever to the open position to assist with start up.
- Turn the engine ON/OFF switch (C) to the ON position.
- Place the fuel valve lever (O) in the ON position.
- If the engine is cold, move the choke (N) to the CLOSED position as shown. If the engine is hot, move the choke to the OPEN position.

⚠WARNING: Risk of unsafe operation. Pull starter grip slowly until resistance is felt. Then pull starter grip (P) rapidly to avoid kickback and prevent hand or arm injury.

NOTICE: Do not allow the starter grip to snap back. Return it gently by hand.

NOTE: If the engine does not start, check the oil level and add oil as needed.

NOTE: To ensure maximum oil lubrication, place the unit on a level surface.

- As the engine warms up, move the choke to the OPEN position.
- Rotate manual lock unloader lever to the closed position to allow air tank pressure to build. **NOTE:** Pump will not operate with the manual lock unloader lever in the open position.
- Allow compressor to pump up to blow off pressure.

⚠WARNING: Risk of unsafe operation. If any unusual noise or vibration is noticed, stop the compressor and refer to the troubleshooting section.

NOTE: The air compressor pump is capable of running continuously.

To prolong the air compressor's life, it is recommended to run at high throttle 50-75% of the run time and idle for 25% of the run time
10. Attach hose and accessory.

▲WARNING: Risk of unsafe operation. Firmly grasp air hose in hand when installing or disconnecting to prevent hose whip.

▲WARNING: Risk of unsafe operation. Do not use damaged or worn accessories.

NOTICE: Risk of property damages. Compressed air from the unit may contain water condensation and oil mist. Do not spray unfiltered air at an item that could be damaged by moisture. Some air operated tools or devices may require filtered air. Read the instructions for the air tool or device.

11. Adjust regulator (F) to desired setting. See **Regulator** under **Features**.

Shut-down

1. Place the engine ON/OFF switch (C) to the OFF Position.
2. Place the fuel valve lever (O) in the OFF position.

NOTE: If finished using compressor, follow Steps 3–7.

3. Turn regulator knob (F) counterclockwise until fully closed. Ensure regulated pressure gauge reads 0 psi.
4. Remove hose and accessory.
5. Drain the air tank. See **Draining Air Tank** under **Maintenance**.

NOTICE: Risk of property damage. Place engine fuel valve lever (O) in the OFF position before moving or transporting unit.

▲WARNING: Risk of bursting. Drain air tank daily. Water will condense in air tank. If not drained, water will corrode and weaken the air tank causing a risk of air tank rupture.

6. Allow the compressor to cool down.
7. Wipe air compressor clean and store in a safe, non freezing area.

MAINTENANCE

▲WARNING:The following procedures must be followed when maintenance or service is performed on the air compressor.

1. Ensure engine ON/OFF switch (C) is in the OFF position.
2. Disconnect spark plug wire.
3. Drain air tank.
4. Allow air compressor to cool down before starting service

NOTE: All compressed air systems contain maintenance parts (e.g. oil, filters, separators) that are periodically replaced. These used parts may contain substances that are regulated and must be disposed of in accordance with local, state, and federal laws and regulations.

NOTE: Take note of the positions and locations of parts during disassembly to make reassembly easier.

NOTE: Any service operations not included in this section should be performed by a DEWALT factory service center or a DEWALT authorized service center.

Maintenance Chart

Procedure	Daily	Weekly	Monthly or every 50 Hours	1 year or 200 Hours	See tank warning label
Check safety valve	X				
Inspect air filter		X +			
Drain air tank	X				
Check pump oil level	X				
Change pump oil				X***	
Oil leak inspection	X				

Inspect drive belt	X				
Check drive belt tension			X		
Check pulley/flywheel alignment				X	
Check for unusual noise/vibration	X				
Check for air leaks	X*				
Clean compressor exterior		X			
Remove tank from service					X ⁺⁺
Engine	See engine instruction manual.				
* To check for air leaks apply a solution of soapy water around joints. While compressor is pumping to pressure and after pressure cuts out, look for air bubbles to form.					
** The pump oil must be changed after the first 20 hours or operation. Thereafter, when using DEWALT full synthetic compressor oil, change oil every 200 hours of operation or once a year, whichever comes first.					
+ Perform more frequent in dusty or humid conditions.					
++ For more information, call 1-888-895-4549					

Checking Safety Valve (Fig. 1)

⚠WARNING: Hot surfaces. Risk of burn. Aftercooler, pump head, and surrounding parts are very hot, do not touch (see the Hot Surfaces identified in Fig. 2). Allow compressor to cool prior to servicing.

⚠WARNING: Risk of bursting. If the safety valve does not work properly, over-pressurization may occur, causing air tank rupture or an explosion.

⚠WARNING: Risk from flying objects. Always wear certified safety equipment: ANSI Z87.1 eye protection (CAN/CSA Z94.3) with side shields when using the compressor.

Before starting compressor, pull the ring on the safety valve to make sure that the safety valve operates freely. If the valve is stuck or does not operate smoothly, it must be replaced with the same type of valve.

Checking Air Filter Element (Fig. 1)

⚠WARNING: Hot surfaces. Risk of burn. Aftercooler, pump head, and surrounding parts are very hot, do not touch (see the Hot Surfaces identified in Fig. 2). Allow compressor to cool prior to servicing.

1. Ensure engine ON/OFF switch (C) is in the OFF position.
2. Allow unit to cool.
3. Remove filter (A) top from filter base by turning filter counter-clockwise about 5 degrees.
4. Separate filter top from base.
5. Remove element from filter base.
6. If element needs cleaning, blow out with air. Replace if needed. Purchase replacement parts from your local dealer or authorized service center. Always use identical replacement parts.
7. Place element back in filter base.
8. Reconnect filter top to filter base. While pushing in, rotate clockwise 5 degrees.

NOTICE: Risk of unsafe operation. Do not operate without air inlet filter.

Draining Air Tank (Fig. 1)

⚠WARNING: Risk of unsafe operation. Risk from noise. Air tanks contain high pressure air. Keep face and other body parts away from outlet of drain. Use eye protection [ANSI Z87.1 (CAN/CSA Z94.3)] when draining as debris can be kicked up into face.

⚠WARNING: Risk from noise. Use ear protection [ANSI S12.6

(S3.19)] as air flow noise is loud when draining.

NOTE: All compressed air systems generate condensate that accumulates in any drain point (e.g., tanks, filter, aftercoolers, dryers). This condensate contains lubricating oil and/or substances which may be regulated and must be disposed of in accordance with local, state, and federal laws and regulations.

1. Ensure engine ON/OFF switch (C) is in the OFF position.
2. Place a suitable container under the drain valve to catch discharge.
3. Grasp black lever on drain valve.

▲WARNING: Risk of bursting. Drain air tank daily. Water will condense in air tank. If not drained, water will corrode and weaken the air tank causing a risk of air tank rupture.

NOTICE: Risk of property damage. Drain water from air tank may contain oil and rust, which can cause stains.

4. Slowly rotate lever to gradually bleed air from air tank.
5. When air tank pressure gauge reads 10 psi, rotate valve to the fully open position.
6. Close drain valve when finished.

Compressor Pump Oil (refer to Fig. 4)

▲WARNING: Hot surfaces. Risk of burn. Tubes, pump head, and surrounding parts are very hot, do not touch (see the Hot Surfaces identified in Fig. 2). Allow compressor to cool prior to servicing.

NOTICE: Risk of property damage. Use air compressor oil only. Multi-weight automotive engine oils like 10W30 should not be used in air compressors. They leave carbon deposits on critical components, thus reducing performance and compressor life.

NOTE: Use full synthetic, non-detergent air compressor oil.

NOTE: Crankcase oil capacity is approximately 16 fluid ounces (473 ml).

Checking

1. Ensure engine START/RUN/OFF switch (C) is in the OFF Position.
2. The oil level should be to the middle of the sight glass (V).
3. If needed remove oil fill plug (K) and slowly add oil until it reaches the middle of the sight glass.

Changing

▲WARNING: Hot surfaces. Risk of burn. Tubes, pump head, and surrounding parts are very hot, do not touch (see the Hot Surfaces identified in Fig. 2). Allow compressor to cool prior to servicing.

▲WARNING: Drain tank to release air pressure before removing the oil fill cap or oil drain plug.

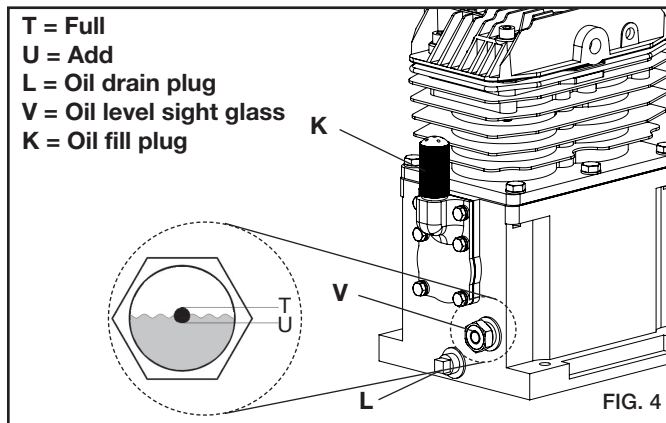
1. Ensure engine START/RUN/OFF switch (C) is in the OFF position.
2. Allow the unit to cool.
3. Disconnect spark plug wire.
4. Drain air tank.
5. Remove the oil fill plug (K).
6. Remove the oil drain plug (L) and drain oil into a suitable container.
7. Replace the oil drain plug (L) and tighten securely
8. Slowly add compressor oil until it reaches the middle of the sight glass (V). **NOTE:** When filling the crankcase, the oil flows very slowly into the pump. If the oil is added too quickly, it will overflow and appear to be full.

▲CAUTION: Overfilling with oil will cause premature compressor

failure. Do not overfill.

9. Replace oil fill plug (K) and tighten securely.
10. Reconnect spark plug wire.

NOTE: Pump oil contains substances that are regulated and must be disposed of in accordance with local, state and federal laws and regulations.



Checking Belt Tension (Fig. 1)

⚠WARNING: Hot surfaces. Risk of burn. Aftercooler, pump head, and surrounding parts are very hot, do not touch (see the Hot Surfaces identified in Fig. 2). Allow compressor to cool prior to servicing.

1. Ensure engine ON/OFF switch (C) is in the OFF position.
2. Allow the unit to cool.
3. Disconnect spark plug wire.

4. Drain air tank.
5. Remove belt guard.
6. Measure belt tension. Proper tension is achieved when a three (3) pound (1.36 kg) weight or equivalent finger pressure applied midway between the motor pulley and compressor flywheel causes a 1/4" (6.35 mm) deflection of the belt. If adjustment is needed see **Adjusting Belt Tension** under **Maintenance**.
7. Replace belt guard.
8. Reconnect spark plug wire.

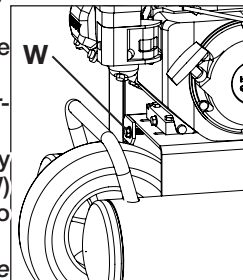
Adjusting Belt Tension

⚠WARNING: Hot surfaces. Risk of burn. Aftercooler, pump head and surrounding parts are very hot, do not touch (see the Hot Surfaces identified in Fig. 2). Allow compressor to cool prior to servicing.

1. Follow procedures 1-6 in **Checking Belt Tension** under **Maintenance**.
2. Scribe a mark at the base of the engine on the deck to be used as a reference.
3. Loosen but do not remove four engine mounting nuts.
4. Loosen but do not remove bolt securing stiffener bracket to engine.
5. Move the engine to the new mark by turning the belt tensioning bolt (W) clockwise until the engine is moved to the desired position.

⚠WARNING: Risk of moving parts. Use caution when rolling belt onto flywheel, fingers can get caught between the belt and flywheel.

6. Check the belt tension again. See Step 6 in **Checking Belt**



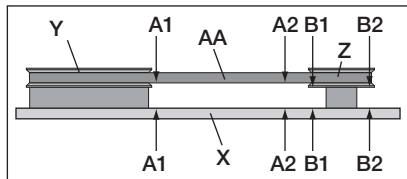
Tension under *Maintenance*.

- When tension is correct, torque four engine mounting nuts (engine torque to 10–20 ft.-lbs./13.5–27.1 Nm), stiffener bracket bolt (Torque to 10–20 ft.-lbs./13.5–27.1 Nm).
- Replace belt guard.
- Reconnect spark plug wire.

Pulley and Flywheel Alignment

The air compressor flywheel and engine pulley must be in-line (in the same plane) within 1/16" (1.6 mm) to ensure belt retention within flywheel belt grooves. To check alignment:

- Ensure engine ON/OFF switch (C) is in the OFF Position.
- Allow the unit to cool.
- Disconnect spark plug wire.
- Drain air tank.
- Remove belt guard.
- Place a straightedge (X) against the outside of the flywheel (Y) and the engine drive pulley (Z).



- Measure the distance between the edge of the belt (AA) and the straightedge at points A1 and A2 in Figure. The difference between measurements should be no more than 1/16" (1.6 mm).
- If the difference is greater than 1/16" (1.6 mm), loosen the setscrew holding the engine drive pulley to the shaft and adjust the pulley's position on the shaft until the A1 and A2 measurements are within 1/16" (1.6 mm) of each other.
- Tighten the engine drive pulley setscrew. Torque to 145–180 in.-lbs. (16.4 – 20.3 Nm).

- Visually inspect the engine drive pulley to verify that it is perpendicular to the drive motor shaft. Points B1 and B2 of Figure should appear to be equal. If they are not, loosen the setscrew of the engine drive pulley and equalize B1 and B2, using care not to disturb the belt alignment performed in Step 8.
- Retighten the engine drive pulley setscrew. Torque to 145–180 in.-lbs. (16.4–20.3 Nm).
- Reinstall belt guard.
- Reconnect spark plug wire.

Air Compressor Pump Intake and Exhaust Valves

Once a year have a Trained Service Technician check the air compressor pump intake and exhaust valves.

Inspect Air Lines and Fittings for Leaks

- Ensure engine START/RUN/OFF switch (C) is in the OFF Position.
- Allow the unit to cool.
- Disconnect spark plug wire.
- Apply a soap solution to all air line fittings and connections/piping.
- Correct any leaks found.
- Reconnect spark plug wire.

IMPORTANT: Even minor leaks can cause the air compressor to overwork, resulting in premature breakdown or inadequate performance.

Air compressor Head Bolts - Torquing

The air compressor pump head bolts should be kept properly

torqued. Check the torques of the head bolts after the first five hours of operation. Torque to 32-37 ft.-lbs. (43.4-50.2 Nm).

Additional Service

Disassembly or service of the air compressor beyond what is covered in this manual is not recommended. If additional service is required, contact your nearest Authorized Warranty Service Center.

Accessories

Recommended accessories for use with your tool are available for purchase from your local dealer or authorized service center. If you need assistance in locating any accessory for your tool, please call 1-888-895-4549 or visit our website www.dewalt.com.

▲ WARNING: *The use of any other accessory not recommended for use with this tool could be hazardous. Use only accessories rated equal to or higher than the rating of the air compressor.*

Service Information

Please have the following information available for all service calls:
 Model Number _____ Serial Number _____
 Date and Place of Purchase _____

Repairs

To assure product SAFETY and RELIABILITY, repairs, maintenance and adjustment should be performed by a DeWALT factory service center, a DeWALT authorized service center or other qualified service personnel. Always use identical replacement parts.

Limited Warranty

DEWALT Industrial Tools are warranted from date of purchase.

2 Year – Limited warranty on oil-lubricated air compressor pumps.

1 Year – Limited warranty on all other air compressor components. This warranty is not transferable to subsequent owners.

DEWALT will repair or replace, without charge, at DEWALT's option, any defects due to faulty materials or workmanship. For further detail of warranty coverage and warranty repair information, call 1-(888)-895-4549 or visit dewalt.com. This warranty does not apply to accessories or damage caused where repairs have been made or attempted by others. This warranty also does not apply to merchandise sold by DEWALT which has been manufactured by and identified as the product of another company, such as gasoline engines. Such manufacturer's warranty, if any, will apply. **ANY INCIDENTAL, INDIRECT OR CONSEQUENTIAL LOSS, DAMAGE OR EXPENSE THAT MAY RESULT FROM ANY DEFECT, FAILURE OR MALFUNCTION OF THE PRODUCT IS NOT COVERED BY THIS WARRANTY.** Some states do not allow the exclusion of limitation of incidental or consequential damages, so the above limitation or exclusion may not apply to you. **IMPLIED WARRANTIES, INCLUDING THOSE OF MERCHANTABILITY OR FITNESS FOR A PARTICULAR PURPOSE, ARE LIMITED TO ONE YEAR FROM THE DATE OF ORIGINAL PURCHASE.** Some states do not allow limitations on how long an implied warranty lasts, so the above limitations may not apply to you.

What the Company Will Do: (the company) will cover parts and labor to remedy substantial defects due to materials and workmanship during the first year of ownership, with the

exceptions noted below. Parts used in repair of whole goods or accessories are warranted for the balance of the original warranty period.

What is not covered Under This Warranty? Failures by the original retail purchaser to install, maintain, and operate said equipment in accordance with standard industry practices. Modifications to the product, or tampering with components, or failure to comply with the specific recommendations of the Company set forth in the owner's manual, will render this warranty null and void. The Company shall not be liable for any repairs, replacements, or adjustments to the equipment, or any costs for labor performed by the purchaser without the Company's prior written approval. The effects of corrosion, erosion, surrounding environmental conditions, cosmetic defects, and routine maintenance items, are specifically excluded from this warranty. Routine maintenance items such as: oil, lubricants, and air filters, as well as changing oil, air filters, belt tensioning, etc... fall under the owner's responsibility. Additional exclusions include: freight damage, failures resulting from neglect, accident, or abuse, induction motors when operated from a generator, oil leaks, air leaks, oil consumption, leaky fittings, hoses, petcocks, bleeder tubes, and transfer tubes.

- The following components are considered normal wear items and are not covered after the first year of ownership: Belts, sheaves, flywheels, check valves, pressure switches, air unloaders, throttle controls, electric motors, brushes, regulators, o-rings, pressure gauges, tubing, piping, fittings, fasteners, wheels, quick couplers, gaskets, seals, air filter housings, piston rings, connecting rods, and piston seals.
- Labor, service calls, and travel charges, are not covered

after the first year of ownership on stationary compressors (compressors without handles, or wheels). Repairs requiring overtime, weekend rates, or any other charges beyond the standard shop labor rate are not covered.

- Time required for orientation training for the service center to gain access to the product, or additional time due to inadequate egress.
- Damage caused by incorrect voltage, improperly wired, or failure to have a certified licensed electrician install the compressor, will render this warranty null and void.
- Damage caused from inadequate filter maintenance.
- Pump wear or valve damage caused by using oil not specified.
- Pump wear or damage caused by any oil contamination.
- Pump wear or valve damage caused by failure to follow proper maintenance guidelines.
- Operation below proper oil level or operation without oil.
- Gas Engines, if product is equipped with a gas engine, see engine manual for specific engine manufacturer's warranty coverage.

Parts purchased separately: The warranty for parts purchased separately such as: pumps, motors, etc., are as follows:

From Date of Purchase

- | | |
|--------------------------------|---------|
| • All single & two stage pumps | 1 year |
| • Electric motors | 90 days |
| • Universal motor/pump | 30 days |
| • All other parts | 30 days |

- No return authorization will be issued for electrical components once items are installed.

How do You Get Service? In order to be eligible for service under this warranty you must be the original retail purchaser, and provide proof of purchase from one of the Company's dealers, distributors, or retail outlet stores. Portable compressors or components must be delivered, or shipped, to the nearest Authorized Service Center. All associated freight costs and travel charges must be borne by the consumer. Please call our toll free number 1-888-895-4549 for assistance.

THIS WARRANTY GIVES YOU SPECIFIC LEGAL RIGHTS, AND YOU MAY ALSO HAVE OTHER RIGHTS WHICH VARY FROM STATE TO STATE.

THE COMPANY MAKES NO OTHER WARRANTY OR REPRESENTATION OF ANY KIND WHATSOEVER, EXPRESSED OR IMPLIED, EXCEPT THAT OF TITLE. ALL IMPLIED WARRANTIES, INCLUDING ANY WARRANTY OF MERCHANTABILITY AND FITNESS FOR PARTICULAR PURPOSE ARE HEREBY DISCLAIMED. LIABILITY FOR CONSEQUENTIAL AND INCIDENTAL DAMAGES UNDER ANY AND ALL WARRANTIES, OTHER CONTRACTS, NEGLIGENCE, OR OTHER TORTS IS EXCLUDED TO THE EXTENT EXCLUSION IS PERMITTED BY LAW.

GLOSSARY

CFM: Cubic feet per minute.

SCFM: Standard cubic feet per minute; a unit of measure of air delivery.

PSI: Pounds per square inch; a unit of measure of pressure.

Code Certification: Products that bear one or more of the following marks: UL[®], CUL, ETL[®]*, CETL, have been evaluated by OSHA certified independent safety laboratories and meet the applicable Standards for Safety.

* UL[®] is a registered trademark of Underwriters Laboratories and ETL[®] is a registered trademark of Electrical Testing Laboratories.

California Code: Unit may comply with California Code 462 (I) (2)/(M) (2). Specification/model label is on the side of the air tank on units that comply with California Code.

Unloader Blow-Off Pressure: All models are continuous running units controlled by air tank pressure. When the maximum air tank pressure is obtained, the unloader valve will blow-off. This will cause the compressor to exhaust the air to the atmosphere and not the tank. This decreases the load on the engine and allows it to run at a near no-load condition.

Unloader Reset Pressure: When the air tank pressure drops to a predetermined point, the unloader valve closes. The air tank pressure will now increase until it reaches the unloader blow-off pressure.

Troubleshooting Guide

This section provides a list of the more frequently encountered malfunctions, their causes and corrective actions. The operator or maintenance personnel can perform some corrective actions, and others may require the assistance of a qualified DEWALT technician or your dealer.

Problem	Code
Excessive air tank pressure-safety valve pops off	1
Air leaks	2
Continuous air leak at unloader valve	3
Air leaks in air tank or at air tank welds	4
Air leaks between head and valve plate	5
Air leaks from safety valve	6
Compressor is not supplying enough air to operate accessories	2, 7, 8, 9, 10, 12, 13
Restricted air intake	12
Excessive vibration	14, 15
Problem	Code
Knocking Noise	6, 13, 14, 15, 16, 17, 18, 19
Excessive belt wear	13, 14, 16, 19, 20
Squealing sound	13
Engine will not run	21, 22, 23, 34
Pressure reading on the regulated pressure gauge drops when an accessory is used	24
Regulator knob has continuous air leak	25
Regulator will not shut off air outlet	25
Moisture in pump crankcase	2, 5, 11, 26, 27, 28, 29, 30, 31
Pump will not run	32
Air tank pressure will not build	32, 33

Troubleshooting Codes

CODE	POSSIBLE CAUSE	POSSIBLE SOLUTION
1	Unloader valve does not release pressure when air tank reaches blow-off pressure	Unloader valve must be replaced. Contact a DEWALT factory service center or a DEWALT authorized service center.
2	Fittings are not tight	Tighten fittings where air can be heard escaping. Check fittings with soapy water solution. DO NOT OVERTIGHTEN.
3	Defective unloader valve	Turn off engine, rotate manual lock unloader lever to the closed perpendicular position. If air leaks out of air tank through unloader valve, replace unloader valve.
4	Defective air tank	Air tank must be replaced. Do not repair the leak. ▲WARNING: Risk of bursting. Do not drill into, weld or otherwise modify air tank or it will weaken. The air tank can rupture or explode.
5	Leaking seals	Contact a DEWALT factory service center or a DEWALT authorized service center.
6	Defective safety valve	Operate safety valve manually by pulling on ring. If valve still leaks, it must be replaced.
7	Prolonged excessive use of air	Decrease amount of air usage.
8	Compressor is not large enough for accessory	Check the accessory air requirement. If it is higher than the SCFM or pressure supplied by your air compressor, a larger compressor is needed to operate accessory.
9	Hole in air hose	Check and replace air hose, if required.
10	Unloader valve restricted	Remove, clean or replace.
11	Unit operating in damp or humid conditions	Move unit to a dry well ventilated area.
12	Restricted air intake filter	Clean or replace air intake filter.

CODE	POSSIBLE CAUSE	POSSIBLE SOLUTION
13	Loose belt	Check belt tension, see Adjusting Belt Tension under <i>Maintenance</i> .
14	Engine mounting bolts are loose	Tighten mounting screws. Torque engine mounting bolts to 10–20 ft.-lbs. (13.5–27.1 Nm). ⚠WARNING: <i>Risk of bursting. Excessive vibration could weaken the air tank and cause it to rupture or explode. Mounting screws must be kept tightened.</i>
15	Pump stiffener bracket bolt is loose	Check bolt and tighten if required. Torque pump stiffener bracket bolt to 10–20 ft.-lbs. (13.5–27.1 Nm). ⚠WARNING: <i>Risk of bursting. Excessive vibration could weaken the air tank and cause it to rupture or explode. Stiffener bracket bolt must be kept tightened. Never operate the unit unless equipped with the stiffener bracket.</i>
16	Loose pulley	Tighten pulley set screw, torque to 145–180 in.-lbs. (16.4–20.3 Nm).
17	Loose flywheel	Tighten flywheel screw, torque to 22–26 ft.-lbs. (29.8–35.3 Nm).
18	Carbon build-up in pump	Contact a DeWALT factory service center or a DeWALT authorized service center.
19	Belt too tight	Check belt tension, see Adjusting Belt Tension under <i>Maintenance</i> .
20	Pulley misalignment	See Motor Pulley/Flywheel Alignment under <i>Maintenance</i> .
21	Air tank pressure is too high	Open the regulator and reduce air tank pressure to less than 40 psi.
22	Engine problem	Contact a DeWALT factory service center or a DeWALT authorized service center.
23	Engine or pump oil is low	Add full synthetic, non-detergent air compressor oil to pump. See Compressor Pump Oil under <i>Maintenance</i> .

CODE	POSSIBLE CAUSE	POSSIBLE SOLUTION
24	It is normal for some pressure drop to occur	If there is an excessive amount of pressure drop when the accessory is used, adjust the regulator as instructed in Regulator under <i>Features</i> . NOTE: Adjust the regulated pressure under flow conditions while accessory is being used.
25	Damaged regulator	Replace.
26	Detergent type oil being used in pump	Drain oil and refill pump with full synthetic non-detergent air compressor oil.
27	Extremely light duty cycles	Run unit for longer duty cycles. It is recommended to run at high throttle 50-75% of the run time and idle for 25% of the run time.
28	Piston rings damaged or worn	Contact a DEWALT factory service center or a DEWALT authorized service center.
29	Cylinder or piston damaged or worn	Contact a DEWALT factory service center or a DEWALT authorized service center.
30	Compressor cylinder finish worn	Contact a DEWALT factory service center or a DEWALT authorized service center.
31	Water in pump oil	Drain oil and refill pump with full synthetic non-detergent air compressor oil.
32	Manual lock unloader lever in open position	Rotate manual lock unloader lever to the closed perpendicular position.
33	Regulator open	Rotate the regulator knob counterclockwise to its built-in stop and push knob in to lock in place.
34	Engine fuel tank empty	Add gasoline, see engine's instruction manual for correct procedure.

FREE WARNING LABEL REPLACEMENT: If your warning labels become illegible or are missing, call 1-888-895-4549 for a free replacement.

<p>AVERTISSEMENT</p> <p>Avant la mise en marche, lisez et comprenez le manuel d'opération pour connaître le fonctionnement et l'entretien. Pour obtenir un manuel de remplacement, écrivez à: Compressor Service, 118 West Rock Street, Springfield, MN 56087.</p> <p>Risques d'incendie ou d'explosion—Les vapeurs d'essence sont extrêmement inflammables. Remplissez le réservoir de carburant à l'extérieur ou dans un endroit bien aéré. • Ne posez vaporiseur de fuites inflammables dans un endroit confiné ou vers une surface chaude. • Les bouchons et le fil de la vaporisateur doivent être bien ventilés. • Ne pas fumer lors de la vaporisation ni vaporiser en présence d'entités ou de fumées. • Cet appareil n'est autorisé que des aires électriques.</p> <p>Placez le compresseur à la moins 7 m (20 ft) de vapeurs explosives, comme lors de la vaporisation au pistolet.</p> <p>Risques d'agphyxie par oxyde de carbone—Le moteur produit des gaz d'échappement mortels. Ne laissez jamais fonctionner la machine dans un endroit clos.</p>	<p>Risque d'écroulement—Ne pas régler le régulateur* de pression de sortie à une pression supérieure à la pression requise indiquée pour l'accès soire. *Pour les appareils qui ne sont pas équipés d'un régulateur, utilisez des pièces de manutention pneumatiques conformes à une pression nominale minimum de 9.3 bar (135 PSI) (selon étage) ou 13.8 bar (200 PSI) (selon étage). • ROUILLE S'AFFAIBLIR DU RÉSERVOIR, causer l'explosion et des blessures ou le matériel endommagé matériel. Purgez l'eau condensée du réservoir après chaque utilisation régulière. • Ne jamais réparer ou souder le récipient d'air comprimé.</p> <p>Risques de blessure—Ne pas diriger le jet d'air vers l'opérateur. • Débranchez le fil de la bougie d'allumage et éliminer toute la pression d'air du réservoir avant d'entretenir le compresseur et après chaque usage. • Ne jamais faire fonctionner le modèle sans le protecteur de courroie. • L'air produit par un compresseur n'est pas respirable. • Portez des lunettes de protection.</p> <p>• Vérifier niveau d'huile du compresseur avant chaque usage et remplir à confinement.</p>	<p>ADVERTENCIA</p> <p>Antes de arrancar la unidad, lea y entienda el manual del compresor para la operación y mantenimiento segura. Para obtener un manual nuevo escriba: Compressor Service, 118 West Rock Street, Springfield, MN 56087.</p> <p>Risgo de incendio o explosión—El vapor de gasolina es altamente inflamable. Llene el combustible afuera, o en un área bien ventilada. • Nunca rocíe líquidos inflamables dentro de una zona cerrada o hacia una superficie caliente. • La zona de rocío debe estar bien ventilada. • Nunca fume al rociar ni dentro en la presencia de una chispa o flama. • Esta unidad produce gases electro-síntesis—Mantenga el compresor por lo menos 7 m de los vapores explosivos, como cuando rocíado con un pistolet de pintura.</p> <p>Risgo de emvenenamiento con monóxido de carbono—El motor produce los nocivos gases de escape. Nunca se debe hacer funcionar la unidad en un área cerrada.</p> <p>Risgo de caídas—No ajustar el regulador* de presión de salida a una presión superior a la presión requerida indicada para el acceso soire. *Para los aparatos que no están equipados con un regulador, utilice piezas de manutención neumáticas conformes a una presión nominal mínima de 9.3 bar (135 PSI) (según etapa) o 13.8 bar (200 PSI) (según etapa). • HERRUMBRRE DEBILITA EL TANQUE, podría dar como resultado la explosión y graves lesiones o muerte/inflamación a la propiedad. Purgue la agua condensada del tanque después de cada uso reducir humedades. • Nunca repare ni suelde el tanque de aire—reemplaz.</p> <p>Risgo de lesiones—No dirija el chorro de aire hacia el cuerpo. • Nunca opere la unidad sin las defensas provistas. • Desconecte el cable de bujía y drene toda la presión de aire del tanque antes de realizar el servicio a este compresor y después cada uso. • El aire comprimido no es apto para propósitos de respiración. • Lleve lentes de seguridad.</p> <p>• Verifique el nivel de aceite del compresor antes de cada uso.</p>	<p>AVERTISSEMENT</p> <p>AVANT LA MISE EN MARCHÉ, lisez et comprenez le manuel d'opération pour connaître le fonctionnement et l'entretien. Pour obtenir un manuel de remplacement, écrivez à: Compressor Service, 118 West Rock Street, Springfield, MN 56087.</p> <p>RISQUE D'ECROULEMENT</p> <p>RISQUE DE BLESSURE</p> <p>RISQUE D'INCENDIE OU D'EXPLOSION</p> <p>RISQUE D'AGPHYXIE PAR OXYDE DE CARBONE</p>
---	---	---	---

<p>DANGER</p> <p>Using a gasoline engine driven compressor engine CAN KILL YOU IN MINUTES! Gasoline engine exhaust can be poisonous. This is a serious safety concern and/or avoid.</p> 	<p>DANGER</p> <p>L'utilisation d'un moteur à essence à l'intérieur PEUT VOUS TUE EN MINUTES! Les gaz d'échappement d'un moteur à essence peuvent être mortels. Ceci est un problème de sécurité grave et/ou à éviter.</p> 	<p>PELIGRO</p> <p>Usar un compresor con motor a gasolina en interiores PUEDE MATARLO EN MINUTOS! El humo de escape del motor a gasolina puede ser mortal. Esto es un problema de seguridad grave y/o a evitar.</p> 
--	--	---

<p>AVERTISSEMENT</p> <p>NE JAMAIS utiliser à l'intérieur d'une maison ou d'un garage. MEME si les portes et les fenêtres sont ouvertes. N'UTILISER à l'intérieur qu'en cas de urgence. N'UTILISER si les portes et fenêtres sont fermées.</p>	<p>ADVERTENCIA</p> <p>HOT SURFACES: To reduce the risk of burns - Do not touch exposed metal surfaces. SURFACES CHAUDES: Pour réduire le risque de brûlures - Ne pas toucher aux surfaces métalliques exposées. SUPERFICIES CALIENTES: Para reducir el riesgo de sufrir quemaduras - No tocar las superficies metálicas expuestas.</p> 
--	---

OPERATE IN A CLEAN, DRY AND WELL VENTILATED AREA. Do not operate the compressor in rain, snow or in areas of blowing water.

FAIRE FONCTIONNER DANS UN ENDROIT LOCAL PROPRE, SEC ET BIEN VENTILÉ. Ne pas utiliser pas ce compresseur sous la pluie, le neige ou dans les zones d'eau saupiquée.

MANTENHA-SE EM UM LUGAR LIMPO, SECO E BIEM VENTILADO. Não utilize este compressor sob a chuva, neve ou em áreas de água soprada.

<p>WARNING</p> <p>CONTAINS LEAD. May be harmful if eaten or inhaled. May generate dust containing lead. Wash hands after use. Keep out of reach of children.</p> <p>WARNING: This product can expose you to chemicals including Lead, which is known to the State of California to cause cancer and birth defects or other reproductive harm. For more information go to www.P65Warnings.ca.gov</p>	<p>AVERTISSEMENT</p> <p>CONTIENT DU PLOMB. Peut être nocif si est ingéré ou inhalé. Peut générer de la poussière contenant du plomb. Se laver les mains après utilisation. Gardez hors de la portée des enfants.</p>	<p>ADVERTENCIA</p> <p>CONTIENE PLOMO. Puede ser dañino si se ingiere o se respira. Puede generar polvo que contenga plomo. Lávese las manos después del uso. Manténgalo fuera del alcance de los niños.</p> <p>ADVERTENCIA: Este producto le podrá exponer a productos químicos incluyendo Plomo, reconocido por el Estado de California como causante de cáncer, defectos de nacimiento o otros daños de salud reproductiva. Para obtener más información, visite www.P65Warnings.ca.gov</p>
---	---	---

<p>AVERTISSEMENT</p> <p>RISQUE D'ECROULEMENT</p> <p>Prévenir la corrosion en évitant la humidité. Éviter l'humidité. Éviter l'humidité.</p>	<p>WARNING</p> <p>RISK OF BURSTING</p> <p>Prevent tank corrosion. After each usage, drain all moisture from tank.</p>	<p>ADVERTENCIA</p> <p>RISGO DE EXPLOSION</p> <p>Prevenir la corrosion del tanque. Después de cada uso drenar toda humedad del tanque.</p>
--	--	--

MOISTURE DRAIN

ÉVACUATION D'EAU

DESAGÜE DE AGUA

WARNING

Before starting, read and understand operator manual for safe operation and maintenance. For replacement manual write to Compressor Service, 118 West Rock Street, Springfield, MN 56087.

WARNING

Risk of fire or explosion - Gasoline vapor is highly flammable. Refuel outdoors or in a well-ventilated area.

- DO NOT spray flammable liquid in a confined area or towards a hot surface.
- Spray area must be well-ventilated. • DO NOT smoke while spraying or spray where spark or flame is present.
- Arching parts - Keep compressor at least 20 feet away from explosive vapors, such as when spraying with a spray gun.
- Risk of bursting - Do not adjust regulator* to result in output pressure greater than marked maximum pressure of attachment. *Units without a regulator use air-handling parts rated at minimum 135 PSI (1 stage) or 200 PSI (2 stage).
- RUST WEAKENS TANK, may cause explosion and severe or fatal injury/property damage. Drain condensed water from tank after each use to reduce rusting.
- DO NOT weld on or repair tank - replace.
- Risk of carbon monoxide poisoning - Engine produces deadly exhaust. DO NOT run compressor in enclosed area.
- Risk of injury-DO NOT direct air stream at body. • DO NOT operate with supplied guards removed. • Disconnect sparkplug and drain all air pressure from tank before servicing and after each use. • DO NOT use compressed air for breathing. Wear eye protection.

UNLOADER VALVE START RUNNING

CHECK OIL LEVEL in compressor before each use and fill accordingly.

Compresseur d'air

- A. Filtre d'admission d'air de la pompe
- B. Filtre d'admission d'air du moteur
- C. Commutateur marche/arrêt du moteur
- D. Manomètre du réservoir d'air
- E. Manomètre réglé
- F. Régulateur de pression
- G. Sortie d'air
- H. Soupape de décompression
- I. Soupape de sûreté
- J. Soupape de purge du réservoir d'air
- K. Jauge graduée de l'huile de la pompe/Bouchon de remplissage d'huile
- L. Bouchon de vidange d'huile de la pompe

- M. Étrangleur fixe
- N. Commande d'étrangleur
- O. Levier du robinet à essence
- P. Poignée du démarreur

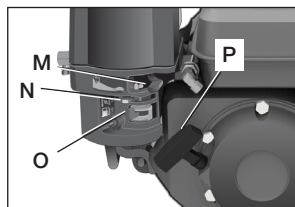
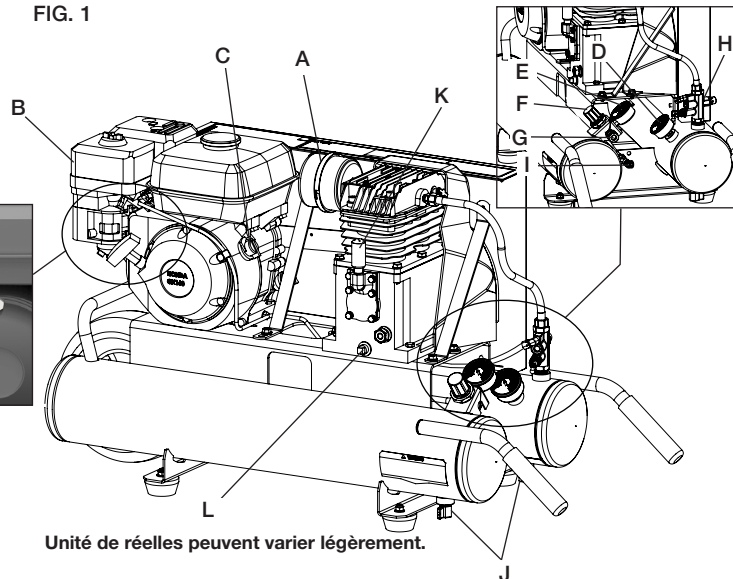


FIG. 1



Unité de réelles peuvent varier légèrement.

Caractéristiques techniques de la pompe

Deux cylindres verticaux, en ligne
Mono-étagée
Lubrifiée à l'huile
Carter, cylindre et tête en fonte
Poids : 20,9 kg (46 livres)
Capacité en huile : 473 ml (16 onces)

Caractéristiques techniques du moteur

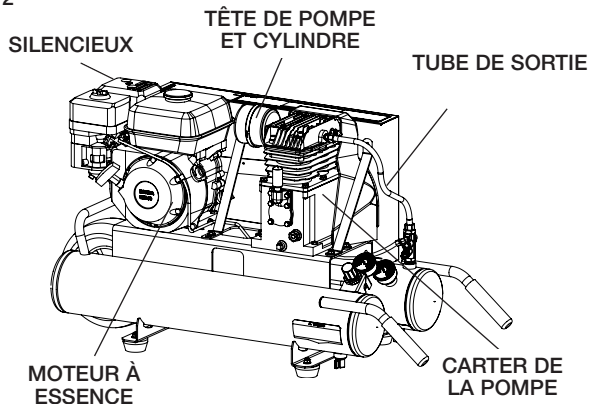
Honda 160 cc
Combustion interne
4 temps
Régime élevé 2000 à 3600
Régime au ralenti 1250 à 1600

Fiche technique

MODÈLE	DXCMTB5590856
POIDS	76,2 kg (168 livres)
HAUTEUR	536,9 mm (24,14 po)
LARGEUR	438,4 mm (17,26 po)
LONGUEUR	1 134,1 mm (44,65 po)
CAPACITÉ DU RÉSERVOIR D'AIR	30,3 liters (8 gallons)
ENV. PRESSION DE DÉCLENCHEMENT	150 psi
VALEURS TYPES P1 ³ /MIN STANDARD À 100 psi	9,9 *
* Testé conformément à la norme ISO 1217	

Surfaces chaudes

FIG. 2



Définitions : lignes directrices en matière de sécurité

Les définitions ci-dessous décrivent le niveau de gravité pour chaque symbole. Veuillez lire le mode d'emploi et porter une attention particulière à ces symboles.

⚠ DANGER : Indique une situation dangereuse imminente qui, si elle n'est pas évitée, causera la mort ou des blessures graves.

⚠ AVERTISSEMENT : Indique une situation potentiellement dangereuse qui, si elle n'est pas évitée, pourrait se solder par un décès ou des blessures graves.

⚠ ATENCIÓN : Indique une situation potentiellement dangereuse qui, si elle n'est pas évitée pourrait se solder par des blessures mineures ou modérées.

AVIS : Indique une pratique ne posant aucun risque de dommages corporels mais qui par contre, si rien n'est fait pour l'éviter, pourrait poser des risques de dommages matériels.

POUR TOUTES QUESTIONS OU COMMENTAIRES RELATIFS(ES) À L'OUTIL OU À PROPOS DE TOUT AUTRE OUTIL DEWALT, COMPOSER SANS FRAIS LE : 1-888-895-4549

Directives de sécurité importantes

⚠ DANGER : Monoxyde de carbone. Le fonctionnement d'un moteur à l'intérieur vous tuera en quelques minutes. L'échappement du moteur contient des niveaux élevés de monoxyde de carbone (CO), un gaz toxique, inodore et invisible. Il est possible que vous inhaliez du CO même EN L'ABSENCE de l'odeur de l'échappement du moteur.

- **NE JAMAIS** utiliser un moteur à l'intérieur d'une habitation, d'un garage, d'un vide sanitaire ou de tout espace partiellement clos. Ces endroits peuvent accumuler des niveaux mor-

tels de monoxyde de carbone. L'utilisation d'un ventilateur ou l'ouverture des fenêtres et portes **NE FOURNIT** pas assez d'air frais.

- Utiliser **UNIQUEMENT** à l'extérieur et loin de fenêtres, portes et événements ouverts. En effets, ces ouvertures peuvent aspirer l'échappement du moteur à l'intérieur d'un espace.
- Même lors de l'utilisation correcte du moteur, le CO pourrait pénétrer dans votre maison. **TOUJOURS** utiliser un avertisseur de CO alimenté à pile ou un avertisseur de CO de secours à pile (non fourni) dans la maison. **Lire et respecter toutes les directives de l'avertisseur de CO avant son utilisation.** En cas de malaise, d'étourdissement ou de faiblesse, à tout moment, se déplacer à l'air frais immédiatement. Consulter un médecin. Ce sont des signes d'intoxication par le monoxyde de carbone.

⚠AVERTISSEMENT : Ne pas utiliser l'appareil avant d'avoir lu le mode d'emploi, et celui du moteur ainsi que l'intégralité des directives de sécurité, d'utilisation et d'entretien.

⚠AVERTISSEMENT : Il est possible que le produit ne soit pas doté d'un silencieux avec pare-étincelles. Si le produit n'en est pas doté et qu'il est destiné à être utilisé près de matières inflammables ou sur un terrain cultivé ou couvert d'arbres, arbustes, herbes ou autres matières similaires, alors l'installation d'un pare-étincelles homologué est obligatoire et exigée par la loi dans l'État de Californie. L'absence de pare-étincelles est en violation des articles 130050 et/ou articles 4442 et 4443 du California Public Resources Code, à moins que le moteur ne soit muni d'un pare-étincelles comme stipulé à l'article 4442 et tenu en bon état de fonctionnement. Les pare-étincelles sont exigés sur certaines terres du Service des forêts américain et peuvent être également exigés par d'autres législations ou ordonnances.

⚠AVERTISSEMENT: CONTIENT DU PLOMB. Peut être nocif s'il est ingéré ou mâché. Peut générer de la poussière contenant du plomb. Se laver les mains après usage. Garder hors de la portée des enfants.

⚠AVERTISSEMENT : Ce produit pourrait vous exposer à des produits chimiques, y compris Plomb, reconnu par l'État de Californie comme cause de cancer, malformations congénitales ou autres problèmes du système de reproduction. Pour obtenir plus d'information, visitez www.P65Warnings.ca.gov.

CONSERVER CES DIRECTIVES



⚠DANGER : RISQUE D'EXPLOSION OU D'INCENDIE

CE QUI PEUT SE PRODUIRE

- L'essence renversée et ses vapeurs peuvent s'enflammer à partir d'étincelles de cigarettes, d'arcs électriques, de gaz d'échappement et de composants chauds du moteur comme le silencieux.

COMMENT L'ÉVITER

- Éteindre le moteur et le laisser refroidir avant de faire l'appoint d'essence.
- Être attentif et éviter de déverser de l'essence lors du remplissage du réservoir. Déplacer l'appareil hors de la zone de remplissage avant de démarrer le moteur.

- Le combustible du réservoir se dilate sous l'effet de la chaleur et pourrait se solder par un déversement et un incendie ou une explosion.
- Pour permettre l'effet de dilatation, laisser 12,7 mm (1/2 po) de dégagement sous le bord du goulot de remplissage lors du plein d'essence.
- **Les matériaux combustibles qui touchent les pièces chaudes du moteur risquent de s'enflammer.**
- Faire le plein d'essence à l'extérieur dans une zone bien aérée. S'assurer de l'absence de source d'inflammation près de la zone de ravitaillement, comme des cigarettes.
- Utiliser le compresseur dans une zone propre, sèche et bien aérée à une distance d'au moins 1,22 mètres (48 po) de tout édifice, objet ou mur. Ne pas utiliser l'appareil à l'intérieur ou dans un endroit exigü.
- L'utiliser uniquement dans un endroit ouvert loin de broussailles ou d'herbes sèches ou de tout autre matériel combustible.
- De l'essence mal entreposée pourrait provoquer un allumage (incendie) accidentel. Ranger l'essence de façon sécuritaire pour en empêcher l'accès aux enfants et à toutes autres personnes non qualifiées.
- **Le fonctionnement de ce produit sans surveillance pourrait se solder par des blessures personnelles ou des dommages à la propriété. Afin de réduire le risque d'incendie, ne pas laisser le compresseur fonctionner sans surveillance.**
- Entreposer l'essence dans un contenant homologué par l'OSHA (Santé et sécurité du travail) dans un emplacement sécuritaire loin de la zone de travail.
- Être toujours présent lorsque le produit est en marche.



▲ DANGER : RISQUE D'ASPHYXIE

CE QUI PEUT SE PRODUIRE

- L'inhalation de gaz d'échappement provoquera de graves blessures voire un décès ! Les gaz d'échappement des moteurs contiennent du monoxyde de carbone, un gaz inodore et mortel.

- Il est dangereux de respirer l'air comprimé sortant du compresseur. Le flux d'air peut contenir du monoxyde de carbone, des vapeurs toxiques ou des particules solides provenant du réservoir d'air. La respiration de ces contaminants peut causer de sérieuses blessures, voire la mort.

COMMENT L'ÉVITER

- Toujours utiliser l'air comprimé à l'extérieur dans une zone propre, bien aérée. Éviter les endroits clos comme les garages, les sous-sols, les remises sans système d'échange d'air continu. Éloigner les enfants, animaux et toute autre personne de la zone de travail.
- Ne jamais utiliser l'air obtenu directement du compresseur pour l'alimentation en air destinée à la consommation humaine. Le compresseur n'est pas muni de filtres et d'équipement de sécurité en ligne qui conviennent à la consommation humaine.

- Une exposition aux produits chimiques présents dans la poussière générée par les activités de ponçage, sciage, meulage, perçage et autres, peut être nocive
- Les matériaux vaporisés comme la peinture, les solvants de peinture, les décapants, les insecticides, les herbicides, pourraient contenir des vapeurs nocives et du poison.
- Travailler dans un endroit ayant une bonne aération transversale. Lire et respecter les directives en matière de sécurité imprimées sur l'étiquette ou les fiches signalétiques des matériaux qui sont pulvérisés. Toujours utiliser un équipement de sécurité homologué : une protection respiratoire conforme aux normes NIOSH/OSHA, ou un masque facial bien ajusté, conçus spécifiquement pour votre utilisation particulière.



▲ AVERTISSEMENT : RISQUE D'ÉCLATEMENT

Réservoir d'air comprimé : Le 26 février 2002, la U.S. Consumer Product Safety Commission américaine a publié la règle n° 02-108 portant sur la sécurité en matière de réservoir d'air comprimé des compresseurs :

Les réservoirs d'air comprimé des compresseurs n'ont pas une durée de vie illimitée. La durée de vie des réservoirs dépend de plusieurs facteurs, qui comprennent entre autres : les conditions d'utilisation, les conditions ambiantes, une installation adéquate, les modifications sur site, et le niveau de maintenance. L'effet exact que peut avoir ces facteurs sur la durée de vie des réservoirs d'air est difficilement prévisible.

Si les procédures adéquates de maintenance ne sont pas suivies, la corrosion sur la paroi interne du réservoir d'air comprimé peut faire que celui-ci éclate de façon inopinée laissant soudainement l'air pressurisé s'échapper avec force, posant ainsi des risques de dommages corporels à l'utilisateur.

Le réservoir d'air de votre compresseur doit être mis hors service à la fin de l'année mentionnée sur l'étiquette d'avertissement apposée sur le réservoir.

Les conditions suivantes peuvent amener la dégradation du réservoir d'air, et faire que ce dernier explose violemment :

CE QUI PEUT SE PRODUIRE

- L'eau condensée n'est pas correctement vidangée du réservoir d'air provoquant ainsi la formation de rouille et un amincissement du réservoir d'air en acier.
- Modifications apportées au réservoir d'air ou tentatives de réparation.
- Des modifications non autorisées de la soupape de décompression, de la soupape de sûreté ou de tous autres composants qui régissent la pression du réservoir d'air.

COMMENT L'ÉVITER

- Vidanger le réservoir d'air quotidiennement ou après chaque utilisation. Si le réservoir présente une fuite, le remplacer immédiatement par un nouveau réservoir d'air ou par un nouveau compresseur.
- Ne jamais percer un trou dans le réservoir d'air ou ses accessoires, y faire de la soudure ou y apporter quelque modification que ce soit. Ne jamais essayer de réparer un réservoir d'air endommagé ou avec des fuites. Le remplacer par un nouveau réservoir d'air.
- Le réservoir d'air a été conçu pour supporter des pressions spécifiques de fonctionnement. Ne faites jamais effectuer de réglages ou de substitutions de pièces en vue de modifier les pressions de fonctionnement réglées en usine.

- Une vibration excessive peut affaiblir le réservoir d'air et provoquer une rupture ou une explosion. Les vibrations excessives se produisent si le compresseur n'est pas bien assemblé ou si le moteur tourne à un régime plus élevé que celui recommandé.
- Ne pas retirer le raidisseur qui fixe la pompe du compresseur au moteur sauf lors du réglage de la tension de la courroie puis serrer solidement les boulons du raidisseur. Il contrôle les vibrations de l'appareil.

Attachements et accessoires :

- Lorsqu'on excède la pression nominale des outils pneumatiques, des pistolets pulvérisateurs, des accessoires à commande pneumatique, des pneus et d'autres dispositifs pneumatiques, on risque de les faire exploser ou de les projeter et ainsi entraîner des blessures graves.
- Respecter les recommandations du fabricant de l'équipement et ne jamais dépasser la pression nominale maximale permise des accessoires. Ne jamais utiliser le compresseur pour gonfler de petits objets à basse pression comme des jouets d'enfant, des ballons de football et de basketball, etc.

Pneus :

- Des pneus surgonflés pourraient provoquer des blessures graves et des dommages à la propriété.
- Utiliser un manomètre pour vérifier la pression des pneus avant chaque utilisation et lors du gonflage; consulter le flanc de pneu pour obtenir la pression correcte.

REMARQUE : Les réservoirs d'air comprimé, compresseurs et autres équipements similaires utilisés pour gonfler les pneus peuvent remplir ces derniers très rapidement. Régler le régulateur de pression d'air à une pression moindre que celle indiquée sur le pneu. Ajouter de l'air par petite quantité et utiliser fréquemment le manomètre pour empêcher un surgonflage.



**⚠AVERTISSEMENT : RISQUE PROVENANT DES OBJETS
PROJETÉS EN L'AIR**

CE QUI PEUT SE PRODUIRE

- Le flux d'air comprimé peut endommager les tissus mous de la peau exposée et peut projeter la poussière, des fragments, des particules détachées et des petits objets à haute vitesse, ce qui entraînerait des dommages et des blessures personnelles.

COMMENT L'ÉVITER

- Toujours utiliser de l'équipement de sécurité homologué : protection oculaire conforme à la norme ANSI Z87.1 (CAN/CSA Z94.3) munie d'écrans latéraux lors de l'utilisation du compresseur.
- Ne jamais pointer une buse ou un pulvérisateur vers une partie du corps ou vers d'autres personnes ou des animaux.
- Toujours mettre le compresseur hors tension et purger la pression du tuyau à air et du réservoir d'air avant d'effectuer l'entretien, de fixer des outils ou des accessoires.



⚠AVERTISSEMENT : ATTENTION SURFACES CHAUDES
CE QUI PEUT SE PRODUIRE **COMMENT L'ÉVITER**

- Toucher à du métal exposé comme la tête du compresseur ou du moteur, la tubulure des gaz d'échappement ou de sortie, peut se solder en de sérieuses brûlures.
- Ne jamais toucher à des pièces métalliques exposées sur le compresseur pendant ou immédiatement après son utilisation. Le compresseur restera chaud pendant plusieurs minutes après son utilisation.
- Ne pas toucher ni effectuer des réparations aux coiffes de protection avant que l'appareil n'ait refroidi.



⚠AVERTISSEMENT : RISQUE ASSOCIÉ AUX PIÈCES MOBILES
CE QUI PEUT SE PRODUIRE **COMMENT L'ÉVITER**

- Le moteur peut démarrer accidentellement si le volant est tourné manuellement ou par l'action de la corde de lancement.
- Toujours déconnecter la bougie et purger la pression du réservoir d'air avant d'effectuer un entretien.

- Les pièces mobiles comme une poulie, un volant ou une courroie peuvent provoquer de graves blessures si elles entrent en contact avec vous ou vos vêtements.
- Ne jamais utiliser le compresseur si les protecteurs ou les couvercles sont endommagés ou retirés.
- Garder les cheveux, les vêtements et les gants à l'écart des pièces mobiles. Les vêtements amples, bijoux ou cheveux longs peuvent s'enchevêtrer dans les pièces mobiles.
- S'éloigner des événements car ces derniers pourraient camoufler des pièces mobiles.
- Toutes les réparations requises pour ce produit devraient être effectuées par un centre de réparation de l'usine DEWALT ou un centre de réparation agréé DEWALT.
- Utiliser le compresseur avec des pièces endommagées ou manquantes ou le réparer sans coiffes de protection risque de vous exposer à des pièces mobiles et peut se solder par de graves blessures.



⚠ AVERTISSEMENT : RISQUE ASSOCIÉ À UTILISATION DANGEREUSE

CE QUI PEUT SE PRODUIRE

- Une utilisation dangereuse de votre compresseur d'air pourrait provoquer de graves blessures, voire votre décès ou celle d'autres personnes.

COMMENT L'ÉVITER

- Revoir et comprendre toutes les directives et les avertissements contenus dans le présent mode d'emploi.
- Se familiariser avec le fonctionnement et les commandes du compresseur d'air.
- Dégager la zone de travail de toutes personnes, animaux et obstacles.
- Tenir les enfants hors de portée du compresseur d'air en tout temps.

- Ne pas utiliser le produit en cas de fatigue ou sous l'emprise d'alcool ou de drogues. Rester vigilant en tout temps.
- Ne jamais rendre inopérant les fonctionnalités de sécurité du produit.
- Installer un extincteur dans la zone de travail. • Ne pas utiliser l'appareil lorsqu'il manque des pièces ou que des pièces sont brisées ou non autorisées.
- Ne jamais se tenir debout sur le compresseur.



⚠ AVERTISSEMENT : RISQUES CAUSÉS PAR LE BRUIT

CE QUI PEUT SE PRODUIRE

- Dans certaines conditions et selon la durée d'utilisation, le bruit provoqué par ce produit peut contribuer à une perte auditive.

COMMENT L'ÉVITER

- Toujours utiliser un équipement de sécurité homologué : protection auditive conforme à la norme ANSI S12.6 (S3.19).



⚠ AVERTISSEMENT : RISQUE DE BLESSURE EN SOULEVANT LE PRODUIT

CE QUI PEUT SE PRODUIRE

- Soulever un objet trop lourd peut se solder par de graves blessures.

COMMENT L'ÉVITER

- Le compresseur est trop lourd pour être soulevé par une seule personne. Demander de l'aide avant de le soulever.



⚠ AVERTISSEMENT : RISQUE DE BLESSURES OU DE DOMMAGES À LA PROPRIÉTÉ LORS DU TRANSPORT OU DU RANGEMENT

CE QUI PEUT SE PRODUIRE

- L'huile peut fuir ou se déverser. Cela pourrait se solder par un incendie ou un danger d'inhalation; des blessures graves ou un décès. Les fuites d'huile endommageront le tapis, la peinture ou toutes autres surfaces de véhicules ou de remorques.

COMMENT L'ÉVITER

- Toujours installer le compresseur sur un revêtement protecteur lors du transport pour protéger le véhicule de tous dommages associés aux fuites. Retirer immédiatement le compresseur du véhicule dès l'arrivée à destination. Toujours tenir le compresseur à niveau et ne jamais le déposer sur son côté.

CONSERVER CES DIRECTIVES POUR UN USAGE ULTÉRIEUR

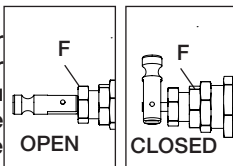
CARACTÉRISTIQUES

SOUPE DE DÉCOMPRESSION

La soupape de décompression (H) du réservoir d'air se purgera dès que la pression maximale du réservoir est atteinte. Ainsi, le compresseur évacuera l'air dans l'atmosphère et non dans le réservoir. La soupape est réglée par le fabricant et ne doit pas être retirée ou modifiée de quelque manière que ce soit.

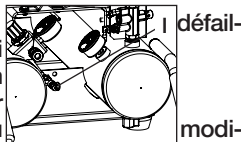
Blocage manuel : Le blocage manuel vous permet de décompresser la pression du réservoir d'air du compresseur. Utilisation du blocage manuel :

Mettre le levier de décompression du blocage manuel en position **ouverte** pour empêcher l'accumulation de pression dans le réservoir d'air. Mettre le levier de décompression du blocage manuel en position **fermée** après le démarrage moteur pour permettre le développement de la pression dans le réservoir. **REMARQUE :** La pression ne se développera pas si le levier de décompression du blocage manuel est en position ouverte.



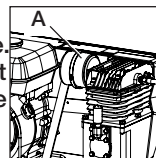
SOUPE DE SÛRETÉ

La soupape (I) est conçue pour prévenir des lances système en décompressant celui-ci lorsque le compresseur d'air atteint un niveau préétabli. La soupape est réglée par le fabricant et ne doit pas être retirée ou modifiée de quelque manière que ce soit.



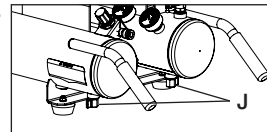
FILTRE D'ADMISSION D'AIR

Le filtre (A) sert à purifier l'air qui entre dans la pompe. Pour que la pompe reçoive un flux d'air constant propre, froid et sec, le filtre doit toujours être propre et l'entrée d'air doit être exempte d'obstructions.



SOUPE DE PURGE DU RÉSERVOIR D'AIR

La soupape de purge (J) sert à déshumidifier le réservoir d'air après l'arrêt du compresseur.

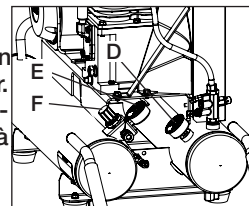


MANOMÈTRE DU RÉSERVOIR D'AIR

Le manomètre du réservoir d'air (D) indique la pression dans le réservoir d'air.

MANOMÈTRE RÉGLÉ

Le manomètre réglé (E) indique la pression d'air disponible à la sortie du régulateur. Cette pression est contrôlée par le régulateur et est toujours inférieure ou égale à celle du réservoir d'air.



RÉGULATEUR

Le bouton du régulateur (F) contrôle la pression provenant du réservoir d'air.

Réglage du régulateur :

1. Tirer le bouton du régulateur (F) vers l'extérieur.
2. Tourner le bouton en sens horaire pour régler la pression et en sens antihoraire pour la réduire.
3. Une fois la pression souhaitée affichée sur le manomètre réglé, enfoncer le bouton pour le verrouiller.

AVERTISSEMENT : Risque d'éclatement. Purger le réservoir d'air quotidiennement. L'eau se condensera dans le réservoir d'air. Si l'eau n'est pas vidangée, elle corrodera et affaiblira le

réservoir d'air, provoquant ainsi un risque de rupture du réservoir d'air.

CONTRÔLE DE L'ÉTRANGLEUR

Une fois la pression maximale du réservoir d'air atteint et que la soupape de décompression décompresse le récipient, cette action active le contrôle de l'étrangleur du moteur. Cette fonctionnalité d'économie d'essence maintient le moteur au ralenti (régime préétabli en usine) jusqu'à ce que la pression du réservoir d'air chute à la pression pré réglée. La soupape de décompression réenclenche alors le contrôle de l'étrangleur et le moteur accélère à plein régime.

CAPTEURS DE BAS NIVEAU D'HUILE QUI COMMANDENT L'ARRÊT MOTEUR

Le moteur du compresseur d'air sont dotés de capteurs de bas niveau d'huile qui commandent l'arrêt moteur. Les dispositifs de sûreté sont conçus pour protéger le moteur de dommages dans les cas où le niveau d'huile dans le carter est sous le niveau minimum. Si le niveau d'huile ou du moteur baisse lors du fonctionnement du compresseur d'air, le moteur sera automatiquement mis hors tension et ne redémarrera pas tant que l'appoint d'huile moteur ou de pompe n'ait été effectué. Si le niveau d'huile est bas avant le démarrage, le moteur refusera de démarrer sans appoint d'huile.

REMARQUE : Les capteurs de bas niveau d'huile qui commandent l'arrêt moteur sont sensibles. On doit faire l'appoint d'huile moteur jusqu'au repère « plein » de la jauge pour désactiver le dispositif de sûreté.

INSTALLATION

Assemblage (Fig. 1)

RACCORDEMENT DES TUYAUX

⚠AVERTISSEMENT : Risque d'utilisation dangereuse. Saisir fermement le tuyau en main lors du raccordement ou de la déconnexion pour empêcher un à-coup du tuyau.

1. S'assurer que le manomètre régulé indique 0 psi.
2. Enrouler un ruban d'étanchéité sur le filetage de tuyau.
3. Raccorder le ou le tuyau à la ou aux sortie d'air (G).

IMPORTANT : Ne pas assembler de distributeurs directement sur la ou le sortie d'air (G).

REMARQUE : La fixation de pièces à dégagement rapide aux sortie d'air (G) et de bouchons à dégagement rapide aux embouts de tuyau facilite la connexion et la déconnexion des tuyau. Les pièces et les embouts à dégagement rapide sont disponibles auprès de votre distributeur ou centre de réparation agréé régional.

DÉCONNEXION DES TUYAUX

⚠AVERTISSEMENT : Risque d'utilisation dangereuse. Saisir fermement le tuyau en main lors du raccordement ou de la déconnexion pour empêcher un à-coup du tuyau.

1. S'assurer que le manomètre régulé indique 0 psi.
2. Retirer le ou les tuyau de la ou de sortie d'air (G).

Lubrification et huile

MOTEUR

1. Le fabricant a fait le plein d'huile moteur EN usine. Vérifier le niveau d'huile moteur avant d'utiliser l'appareil. Le cas échéant, faire l'appoint au niveau approprié avec l'huile recommandée. Consulter le mode d'emploi du moteur, fourni par le fabricant de celui-ci, pour la bonne procédure.

2. Ajouter de l'essence. Consulter le mode d'emploi du moteur, fourni par le fabricant de celui-ci, pour la bonne procédure.

⚠AVERTISSEMENT : *Risque d'explosion ou d'incendie. Les vapeurs d'essence sont hautement inflammables. Faire le plein de préférence à l'extérieur ou seulement dans des endroits bien aérés. Ne pas faire le plein ou ne pas vérifier le niveau d'essence avec le moteur en marche. Ne pas ranger l'essence, ni la déverser ou l'utiliser près d'une flamme nue, d'une source d'étincelles (comme la soudure) ou d'équipement électrique en fonctionnement.*

COMPRESSEUR D'AIR

Le fabricant a fait le plein d'huile de pompe **EN** usine. Vérifier le niveau d'huile de la pompe avant de l'utiliser. Consulter la rubrique **Huile de la pompe du compresseur** sous *Entretien*.

Compatibilité

Les outils pneumatiques et les accessoires utilisés avec le compresseur doivent être compatibles avec des produits dérivés du pétrole. En cas d'incompatibilité probable avec des dérivés du pétrole, utiliser un filtre de canalisation d'air pour retirer l'humidité et les vapeurs d'huile du compresseur d'air.

AVIS : Toujours utiliser un filtre de canalisation d'air pour retirer l'humidité et les vapeurs d'huile lors de la pulvérisation de peinture.

Emplacement

⚠AVERTISSEMENT : *Risque associé à l'inhalation. L'échappement du moteur à essence contient du monoxyde de carbone mortel; gaz inodore et toxique. Utiliser le moteur uniquement dans des zones bien ventilées.*

AVIS : *Risque de dommages à la propriété. En cours de fonctionnement, ne pas incliner le compresseur d'air plus de 10° pour éviter tout dommage.*

Installer le compresseur d'air à au moins 1,2 m (4 pi) d'obstacles qui

pourraient gêner une bonne aération. Éloigner l'appareil des zones à atmosphère chargée de saletés, de vapeurs et d'émanations. Ceux-ci pourraient boucher le filtre et les soupapes d'admission et s'y agglutiner nuisant ainsi au bon fonctionnement du compresseur d'air.

ENVIRONNEMENTS FRAIS

Dans les environnements souvent frais, il y a risque de formation d'humidité dans la pompe et de boue dans l'huile. Ceux-ci provoquent une usure prématurée des pièces mobiles. Un excès d'humidité survient principalement dans les environnements non chauffés où l'appareil est soumis à de grandes variations thermiques. On reconnaît l'humidité excessive en présence de deux signes : la formation de condensation externe sur la pompe lorsqu'elle refroidit et de l'apparence « laiteuse » de l'huile du compresseur. Il est possible d'empêcher la formation d'humidité dans la pompe en augmentant la circulation d'air ou en utilisant le compresseur d'air plus longtemps.

REMARQUES À PROPOS DU BRUIT

Consulter les organismes de réglementation de votre région pour connaître les niveaux de bruit tolérés. Pour réduire le bruit excessif, utiliser un montage antivibratile ou des atténuateurs sonores. Repositionner l'appareil ou des murs déflecteurs. Communiquer avec un centre de réparation DEWALT ou composer le 1-888-895-4549 pour obtenir de l'aide.

TRANSPORT

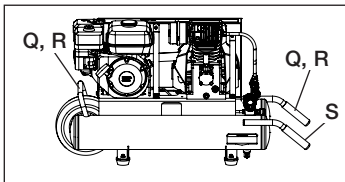
⚠AVERTISSEMENT : *Risque de blessure associé au transport. L'appareil pèse plus de 76,2 kg (168 lb). Ne pas le déplacer ni le soulever sans aide.*

AVIS : *Risque de dommages à la propriété. Les roues et la poignée n'offrent pas le dégagement, la stabilité ou l'appui nécessaire pour descendre ou monter des escaliers ou des marches avec l'appareil.*

On doit soulever l'appareil ou le pousser le long d'une rampe.

AVIS : Risque de dommages matériels. Mettre le levier de robinet à essence (O) à la position OFF (arrêt) avant de déplacer ou de transporter l'appareil.

Lors du transport du compresseur dans un véhicule, une remorque, etc., s'assurer que le réservoir d'air est bien vide et que l'appareil est bien fixé sur un matelas de protection reposant sur une surface plane horizontale. **PAS** entreposé dans une position debout.



REMARQUE : Lors du transport, utiliser les points d'ar-rimage (Q). Conduire prudemment pour éviter de basculer l'appareil dans le véhicule. Un basculement risque d'endommager l'appareil ou les pièces contiguës. Utiliser une rampe pour le chargement ou le déchargement de l'appareil d'une hauteur de plus de 30,5 cm (12 po).

LEVAGE

Toujours transporter les points de transport (R) recommandés.

⚠AVERTISSEMENT : Risque de blessure associé au transport. L'appareil pèse plus de 76,2 kg (168 lb). Ne pas le déplacer ni le soulever sans aide.

AVIS : Risque de dommages matériels. Mettre le levier de robinet à essence (O) à la position OFF (arrêt) avant de déplacer ou de transporter l'appareil.

DÉPLACEMENT

1. Saisir la poignée (S) du compresseur d'air et le soulever suffisamment pour faire rouler l'appareil sur les pneus avant.

⚠AVERTISSEMENT : Risque d'utilisation dangereuse. Garder les pieds bien ancrés et faire preuve d'une grande prudence en roulant le compresseur afin d'éviter de le faire basculer ou de perdre l'équilibre.

AVIS : Risque de dommages matériels. Mettre le levier de robinet à essence (O) à la position OFF (arrêt) avant de déplacer ou de transporter l'appareil.

2. Une fois le compresseur à l'endroit voulu, abaisser lentement l'arrière du compresseur sur le sol. Toujours ranger le compresseur dans une position horizontale. **PAS** entreposé dans une position debout.

REMARQUE : Si l'appareil bascule, de l'huile se déversera ce qui exigera un démarrage à froid et produira de la fumée.

MODE D'EMPLOI

Liste de vérification de pré-démarrage (Fig. 1)

1. S'assurer que le commutateur MARCHE/ARRÊT (C) du moteur est en position d'ARRÊT.
2. S'assurer que le réservoir d'air soit bien purgé consulter la rubrique *Vidange du réservoir d'air* sous *Entretien*.
3. S'assurer que la soupape de purge (J) soit fermée.
4. S'assurer que la soupape de sûreté (I) fonctionne correctement, consulter la rubrique *Vérification de la soupape de sûreté* sous *Entretien*.
5. Vérifier le niveau d'huile moteur, consulter la rubrique *Huile du compresseur de la pompe* sous *Entretien*.

AVIS : Ne pas utiliser le compresseur sans huile ou avec une huile de qualité inadéquate. DEWALT ne peut être tenu responsable pour toute défaillance du compresseur provoquée par une huile inappropriée.

6. Vérifier les niveaux d'huile et d'essence du moteur, consulter le

guide d'utilisation du moteur pour les procédures correctes.

7. Inspecter visuellement la courroie d'entraînement; la remplacer si on détecte tout signe d'effilochage, de fissure ou d'usure.

REMARQUE : Veuillez retirer le couvercle externe de la courroie pour inspecter celle-ci.

8. S'assurer que tous les dispositifs de protection, couvercles et étiquettes sont présents, lisibles (dans le cas des étiquettes) et bien fixés. Ne pas utiliser le compresseur avant de vérifier tous ces points.

Réglage initial (fig. 1)

⚠AVERTISSEMENT : Ne pas utiliser l'appareil avant d'avoir lu et compris le mode d'emploi, et celui du moteur ainsi que l'intégralité des directives de sécurité, d'utilisation et d'entretien.

PROCÉDURE DE RODAGE

AVIS : Risque de dommages à la propriété. Respecter à la lettre les directives de rodage ci-dessous pour empêcher de graves dommages.

La procédure suivante est requise :

- avant d'utiliser le compresseur pour la première fois;
- lors du remplacement de la soupape de décompression;
- lors du remplacement de la pompe du compresseur.

Procédure :

1. Utiliser la Liste de vérification de pré-démarrage sous *Mode d'emploi*.
2. Mettre le levier de décompression du blocage manuel en position **ouverte** pour empêcher l'accumulation de pression dans le réservoir d'air.
3. Ouvrir le régulateur de pression. Tirer le bouton du régulateur (F) vers l'extérieur et le tourner en sens horaire jusqu'à ce qu'il s'arrête.

⚠AVERTISSEMENT : Ne pas utiliser l'appareil avant d'avoir lu et compris le mode d'emploi du moteur ainsi que l'intégralité des directives de sécurité, d'utilisation et d'entretien.

4. Préparation du moteur pour la première utilisation, consulter le mode d'emploi du moteur pour la bonne procédure.

5. Mettre le commutateur de MARCHE/ARRÊT (C) en position de MARCHE.

6. Mettre le levier du robinet à essence (O) à la position ON (marche).

7. Si le moteur est froid, régler l'étrangleur (N) à la position FERMÉE comme il est indiqué. Si le moteur est chaud, régler l'étrangleur à la position OUVERTE.

⚠AVERTISSEMENT : Risque d'utilisation dangereuse. Tirer lentement la poignée du démarreur jusqu'à ce qu'une résistance se fasse sentir. Puis tirer rapidement sur la poignée (P) pour éviter l'effet de rebond et empêcher toute blessure à la main ou au bras.

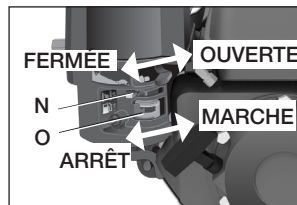
AVIS : Ne pas laisser la poignée du démarreur revenir d'un coup sec. Contrôler le rembobinage à la main.

REMARQUE : Dans ce cas, vérifier le niveau d'huile du moteur et ajouter de l'huile au besoin.

REMARQUE : Pour optimiser la lubrification, placer l'appareil sur une surface de niveau.

8. Au fur et à mesure que le moteur se réchauffe, régler l'étrangleur à la position OUVERTE.

9. Utiliser le compresseur d'air pour une période de **30 minutes** pour asseoir les anneaux et lubrifier toutes les surfaces internes. Consulter le manomètre du réservoir d'air pour éviter tout développement de pression.



10. Mettre le système de blocage de la soupape de décompression en position **fermée** de sorte que la pression puisse s'accumuler.
11. Fermer le régulateur de pression. Tourner le bouton du régulateur (F) en sens horaire jusqu'au butoir intégré et l'enfoncer pour le verrouiller. Cette manœuvre permettra de développer la pression dans le réservoir d'air.
12. Le tuyau de sortie d'air fournira de l'air comprimé jusqu'à utilisation complète de l'air ou sa purge.

PROCÉDURES DE FONCTIONNEMENT

Démarrage (Fig. 1)

1. Utiliser la Liste de vérification de pré-démarrage sous *Mode d'emploi*.
2. Tirer sur le bouton du régulateur (F) et le tourner en sens horaire jusqu'à fermeture complète. L'enfoncer pour le verrouiller. Le manomètre réglé devrait afficher 0 psi.
3. Mettre le levier de décompression du blocage manuel en position **ouverte** pour aider au démarrage.
4. Mettre le commutateur de MARCHE/ARRÊT (C) en position de MARCHE.
5. Mettre le levier du robinet à essence (O) à la position ON (marche).
6. Si le moteur est froid, régler l'étrangleur (N) à la position FERMÉE comme il est indiqué. Si le moteur est chaud, régler l'étrangleur à la position OUVERTE.

⚠AVERTISSEMENT : Risque d'utilisation dangereuse. Tirer lentement la poignée du démarreur jusqu'à ce qu'une résistance se fasse sentir. Puis tirer rapidement sur la poignée (P) pour éviter l'effet de rebond et empêcher toute blessure à la main ou au bras.

AVIS : Ne pas laisser la poignée du démarreur revenir d'un coup sec. Contrôler le rembobinage à la main.

REMARQUE : Dans ce cas, vérifier le niveau d'huile du moteur et ajouter de l'huile au besoin.

REMARQUE : Pour optimiser la lubrification, placer l'appareil sur une surface de niveau.

7. Au fur et à mesure que le moteur se réchauffe, régler l'étrangleur à la position OUVERTE.
8. Mettre le levier de décompression du blocage manuel en position **fermée** pour permettre le développement de la pression dans le réservoir d'air. **REMARQUE** : La pompe ne fonctionnera pas avec le levier de décompression du blocage manuel en position **ouverte**.
9. Laisser le compresseur d'air atteindre la pression de déclenchement.

⚠AVERTISSEMENT : Si on remarque un bruit ou une vibration inhabituelle, arrêter le compresseur et se reporter à la rubrique concernant le dépannage.

REMARQUE : La pompe du compresseur d'air peut fonctionner en continu. Pour prolonger la durée de vie du compresseur d'air, on recommande de l'utiliser à plein régime de 50 % à 75 % de son temps de fonctionnement et au ralenti pour les autres 25 %.

10. Fixer le tuyau et l'accessoire.

⚠AVERTISSEMENT : Risque d'utilisation dangereuse. Saisir fermement le tuyau en main lors du raccordement ou de la déconnexion pour empêcher un à-coup du tuyau.

⚠AVERTISSEMENT : Risque d'utilisation dangereuse. N'utilisez pas les accessoires endommagés ou portés.

AVIS : Risque des matériels dommages. L'air comprimé de l'appareil pourrait contenir de l'eau condensée et des brumes d'huile. Ne pas vaporiser de l'air non filtré sur un article que l'humidité pourrait endommager. Certains outils ou dispositifs pneumatiques pourraient requérir de l'air filtré. Lire les directives pour l'outil ou le

dispositif pneumatique.

11. Régler le régulateur (F) à la valeur souhaitée. Consulter la rubrique **Régulateur** sous *Caractéristiques*.

Arrêt

1. Mettre l'Interrupteur ON/OFF (marche/arrêt) (C) du moteur à la position OFF (arrêt).

2. Mettre le levier du robinet à essence (T) à la position OFF (arrêt).

REMARQUE : Si l'utilisation du compresseur est terminée, suivre les étapes 3 à 7.

3. Tourner le bouton du régulateur (F) en sens antihoraire jusqu'à fermeture complète. S'assurer que le manomètre régulé indique 0 psi.

4. Retirer le tuyau et l'accessoire.

5. Purger le réservoir d'air. Consulter la rubrique **Vidange du réservoir d'air** sous *Entretien*.

AVIS : *Risque de dommages matériels. Mettre le levier de robinet à essence (O) à la position OFF (arrêt) avant de déplacer ou de transporter l'appareil.*

⚠AVERTISSEMENT : *Risque d'éclatement. Purger le réservoir d'air quotidiennement. L'eau se condensera dans le réservoir d'air. Si l'eau n'est pas vidangée, elle corrodera et affaiblira le réservoir d'air, provoquant ainsi un risque de rupture du réservoir d'air.*

6. Laisser refroidir le compresseur.

7. Nettoyer le compresseur d'air avec un chiffon et le ranger dans un endroit sûr sans risque de gel.

ENTRETIEN

⚠AVERTISSEMENT : *Suivre les procédures suivantes lors de l'entretien ou des réparations du compresseur d'air.*

1. S'assurer que le commutateur **MARCHE/ARRÊT** (C) du moteur est en position **ARRÊT**.

2. Débrancher le fil de la bougie.

3. Purger le réservoir d'air.

4. Laisser refroidir le compresseur d'air avant de débiter une réparation

REMARQUE : Tous les systèmes de compression d'air comprennent des pièces (par ex., huile, filtres, séparateurs) qui sont régulièrement remplacées. Ces pièces usées pourraient contenir des substances contrôlées et doivent être mises au rebut conformément aux lois et règlements municipaux, provinciaux, territoriaux et fédéraux.

REMARQUE : Noter la position et l'emplacement des pièces au démontage pour faciliter le remontage subséquent.

REMARQUE : Toute réparation non décrite dans cette rubrique devrait être exécutée à un centre de réparation de l'usine DEWALT ou un centre de réparation agréé DEWALT.

Programme d'entretien

Procédure	Quotidienne	Hebdomadaire	Mensuellement ou toutes les 50 heures	1 an ou 200 heures	Se reporter à l'étiquette d'avertissement sur le réservoir
Vérification de la soupape de sûreté	X				
Inspecter le filtre à air		X ⁺			
Vidange du réservoir d'air	X				
Vérification du niveau d'huile de la pompe	X				
Vidange de l'huile de la pompe				X ⁺⁺⁺	
Inspection de fuite d'huile	X				

Inspection de la courroie d'entraînement	X				
Vérification de la tension de la courroie d'entraînement			X		
Vérification de l'alignement de la poulie/volant				X	
Recherche de bruits ou de vibrations inhabituels	X				
Vérification des fuites d'air	X*				
Nettoyage de la partie externe du compresseur		X			
Mettre le réservoir hors service					X ⁺⁺
Moteur	Consulter le mode d'emploi du moteur.				
* Pour trouver des fuites d'air, appliquer une solution d'eau savonneuse autour des joints. Alors que le compresseur développe la pression et que l'accumulation de pression cesse, rechercher toute trace de bulles d'air.					
** Veuillez vidanger l'huile de la pompe après les 20 premières heures de fonctionnement. Par la suite, vidanger l'huile à tous les 200 heures de fonctionnement ou une fois l'an selon la première éventualité et Utilisez une huile complètement synthétique et sans détergent pour compresseur d'air.					
+ Vidange plus fréquente sous conditions poussiéreuses ou humides					
++ Pour plus d'informations, composer le 1-888-895-4549.					

Vérification de la soupape de sûreté (Fig. 1)

⚠AVERTISSEMENT : Surfaces chaudes. Risque de brûlure. Le postrefroidisseur, la tête de pompe et les pièces contiguës sont très chaudes – ne pas les toucher (consulter la rubrique Surfaces

chaudes de la figure 2). Laisser refroidir le compresseur avant d'effectuer des réparations sur l'appareil.

⚠AVERTISSEMENT : Risque d'éclatement. Si la soupape de sûreté ne fonctionne pas correctement, il peut se produire une surpressurisation, causant ainsi la rupture du réservoir d'air ou une explosion.

⚠AVERTISSEMENT : Risque provenant des objets projet. ÉS Toujours utiliser de l'équipement de sécurité homologué : protection oculaire conforme à la norme ANSI Z87.1 (CAN/CSA Z94.3) munie d'écrans latéraux lors de l'utilisation du compresseur.

Avant de mettre en marche le compresseur, tirez sur la bague de la soupape de sûreté pour vous assurer que la soupape fonctionne librement. Si la soupape est coincée ou ne fonctionne pas bien, il faut la remplacer par une soupape du même type.

Vérification des éléments du filtre d'air (Fig. 1)

⚠AVERTISSEMENT : Surfaces chaudes. Risque de brûlure. Le postrefroidisseur, la tête de pompe et les pièces contiguës sont très chaudes – ne pas les toucher (consulter la rubrique Surfaces chaudes de la figure 2). Laisser refroidir le compresseur avant d'effectuer des réparations sur l'appareil.

1. S'assurer que le commutateur MARCHE/ARRÊT (C) du moteur est en position d'ARRÊT.
2. Laisser refroidir l'appareil.
3. Dévisser la partie supérieure du filtre (A) de la partie inférieure en la tournant de cinq degrés environ.
4. Séparer la base du dessus du filtre.
5. Retirer les éléments de la base du filtre.
6. En cas de nettoyage, souffler de l'air. Remplacer le cas échéant. Acheter les pièces de rechange auprès de votre distributeur ou centre de réparation agréé régional. Toujours utiliser des pièces de rechange identiques.

7. Replacer les éléments dans la base du filtre.
8. Reconnecter la base et le dessus du filtre. Tout en enfonçant, tourner 5 degrés en sens horaire.

AVIS : Risque d'utilisation dangereuse. Ne pas utiliser sans le filtre d'admission d'air.

Vidange du réservoir d'air (Fig. 1)

⚠AVERTISSEMENT : Risque d'utilisation dangereuse. Risque associé au bruit. Les réservoirs d'air contiennent de l'air sous haute pression. Éloigner le visage [ANSI Z87.1 (CAN/CSA Z94.3)] et toutes autres parties du corps de l'orifice de vidange. Porter des lunettes de sécurité lors de la vidange car il y a risque de projection de débris au visage.

⚠AVERTISSEMENT : Risque associé au bruit. Utiliser une protection auditive [ANSI S12.6 (S3.19)] car le flux d'air sortant est strident en cours de vidange.

REMARQUE : Tous les systèmes de compression d'air génèrent des condensats qui s'accumulent à un point de vidange (par ex., réservoir, filtre, dispositifs de postrefroidissement ou sécheur). Le condensat contient de l'huile lubrifiante ou des substances contrôlées, ou les deux, et doivent être éliminés conformément aux lois et règlements municipaux, provinciaux, territoriaux et fédéraux.

1. S'assurer que le commutateur MARCHE/ARRÊT (C) du moteur est en position d'ARRÊT.
2. Déposer un récipient convenable sous la soupape de purge pour recueillir les résidus.
3. Saisir le levier noir de la soupape de purge.

⚠AVERTISSEMENT : Risque d'éclatement. Purger le réservoir d'air quotidiennement. L'eau se condensera dans le réservoir d'air. Si l'eau n'est pas vidangée, elle corrodera et affaiblira le réservoir d'air, provoquant ainsi un risque de rupture du réservoir d'air.

AVIS : Risque de dégâts matériels. Évacuez l'eau le réservoir d'air peut contenir l'huile et se rouiller qui peut causer des taches.

4. Tourner lentement le levier pour purger graduellement l'air du réservoir.
5. Une fois que le manomètre du réservoir affiche 10 psi, tourner complètement le levier en position ouverte.
6. Fermer la soupape de purge dès la fin de l'opération.

Huile de la pompe du compresseur (reportez-vous à Fig. 4)

⚠AVERTISSEMENT : Surfaces chaudes. Risque de brûlure. Le postrefroidisseur, la tête de pompe et les pièces contiguës sont très chaudes – ne pas les toucher (consulter la rubrique Surfaces chaudes de la figure 2). Laisser refroidir le compresseur avant d'effectuer des réparations sur l'appareil.

AVIS : Risque de dommages à la propriété. Utiliser uniquement de l'huile pour compresseur d'air. Ne pas utiliser d'huiles moteur multigrades dans les compresseurs d'air comme le 10W30. Elles laissent des dépôts de carbone dans des composants essentiels, réduisant ainsi les performances et la durée de vie du compresseur.

REMARQUE : Utilisez une huile complètement synthétique et sans détergent pour compresseur d'air.

REMARQUE : Remplissez lentement le carter jusqu'au haut du trou de remplissage. La capacité du carter est de 16 onces fluides (,47 L).

Vérification

1. Mettre l'Interrupteur START (démarrage)/RUN (marche)/OFF (arrêt) (C) du moteur à la position OFF (arrêt).
2. Le niveau d'huile devrait se situer au milieu du voyant (V).

- Retirez le bouchon de remplissage d'huile (K) et, si nécessaire, ajoutez lentement de l'huile jusqu'à ce que le niveau se situe au milieu du voyant.

Changement

⚠AVERTISSEMENT : Surfaces chaudes. Risque de brûlure. Le postrefroidisseur, la tête de pompe et les pièces contiguës sont très chaudes – ne pas les toucher (consulter la rubrique Surfaces chaudes de la figure 2). Laisser refroidir le compresseur avant d'effectuer des réparations sur l'appareil.

⚠AVERTISSEMENT : Purgez le réservoir pour libérer la pression d'air avant de retirer le bouchon de remplissage d'huile ou le bouchon de vidange d'huile.

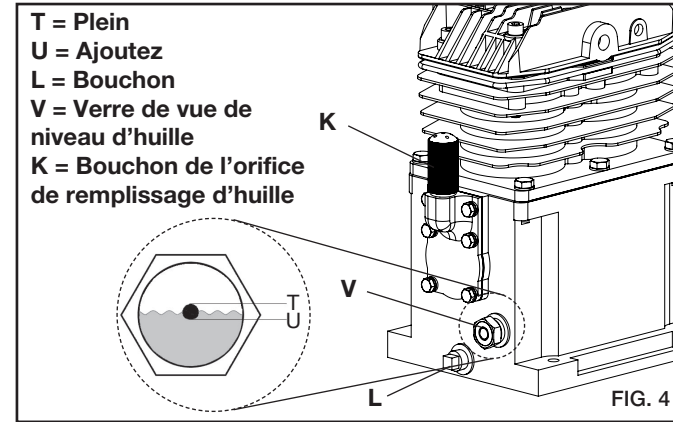
- S'assurer que le commutateur START (démarrage)/RUN (marche)/OFF (arrêt) (C) du moteur est en position OFF (arrêt).
- Laisser refroidir l'appareil.
- Débrancher le fil de la bougie.
- Purger le réservoir d'air.
- Retirez le culot du trou de remplissage d'huile (K).
- Retirez le culot de vidange de l'huile (L) et vidangez l'huile dans un contenant approprié.
- Remettez en place le culot de vidange d'huile (L) et resserrez-le.
- Ajoutez lentement de l'huile pour compresseurs jusqu'à ce que le niveau se situe au milieu du voyant (V). REMARQUE : En remplissant le carter, l'huile circule très lentement dans la pompe. Si elle est versée trop rapidement, elle semblera déborder et le carter semblera plein alors qu'il ne l'est pas.

AVIS : Risque de dommages à la propriété. Un réservoir trop plein d'huile provoquera une défaillance prématurée du compresseur.

Ne pas remplir plus que nécessaire.

- Replacer la jauge graduée/bouchon (K) du réservoir d'huile de la pompe et serrer solidement.
- Rebrancher le fil de la bougie.

REMARQUE : L'huile de la pompe pourrait contenir des substances contrôlées et doit être mise au rebut conformément aux lois et règlements municipaux, provinciaux, territoriaux et fédéraux.



Vérification de la tension de la courroie (Fig. 1)

⚠AVERTISSEMENT : Surfaces chaudes. Risque de brûlure. Le postrefroidisseur, la tête de pompe et les pièces contiguës sont très chaudes – ne pas les toucher (consulter la rubrique Surfaces chaudes de la figure 2). Laisser refroidir le compresseur avant d'effectuer des réparations sur l'appareil.

- S'assurer que le commutateur MARCHE/ARRÊT (C) du moteur

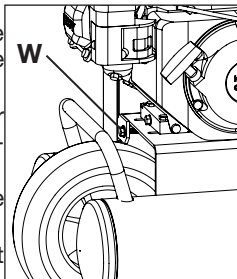
est en position d'ARRÊT.

2. Laisser refroidir l'appareil.
3. Débrancher le fil de la bougie.
4. Purger le réservoir d'air.
5. Retirer le couvercle de la courroie.
6. Mesurer la tension de la courroie. La bonne tension est atteinte lorsqu'un poids de trois livres (1,36 kg), ou une pression équivalente des doigts, appliqué(e) entre la poulie-moteur et le volant du compresseur, provoque une déviation de 6,35 mm (1/4 po) de la courroie. Si un ajustement s'avère nécessaire, consulter la rubrique Réglage de la tension de la courroie sous Entretien.
7. Remettre la couvercle courroie.
8. Rebrancher le fil de la bougie.

Réglage la tension de la courroie

⚠AVERTISSEMENT : Surfaces chaudes. Risque de brûlure. Le postrefroidisseur, la tête de pompe et les pièces contiguës sont très chaudes – ne pas les toucher (consulter la rubrique Surfaces chaudes de la figure 2). Laisser refroidir le compresseur avant d'effectuer des réparations sur l'appareil.

1. Suivre les procédures 1 à 6 de la rubrique Vérification de la tension de la courroie sous Entretien.
2. Haga una marca en la base de el motor sobre la cubierta para usar como referencia.
3. Desserrer les quatre écrous de montage du moteur sans les enlever.
4. Desserrer, sans l'enlever, le boulon fixant le support raidisseur au moteur.
5. Déplacez le moteur jusqu'au nouveau repère en faisant tourner



le boulon de réglage de la tension de la courroie (W) dans le sens des aiguilles d'une montre jusqu'à ce que le moteur soit placé dans la position désirée.

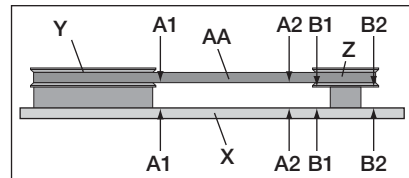
6. Vérifier la tension de la courroie de nouveau. Consulter l'étape 6 de la rubrique Vérification de la tension de la courroie sous Entretien.
7. Cuando la tensión es correcta, ajuste las cuatro tuercas de montaje de la bomba o el motor (aplique torsión del motor de 13,5 a 27,1 Nm/10 a 20 libras-pie), el perno de soporte de la barra tensora (aplique torsión de 13,5 a 27,1 Nm/10 a 20 libras-pie) y reemplace la cubierta de la correa.
8. Rebrancher le fil de la bougie.

Alignement de la poulie et du volant

Le volant du compresseur d'air et la poulie-moteur doivent être en ligne (dans le même plan) à moins de 1,6 mm (1/16 po) pour que la courroie demeure sur les encoches de courroie du volant.

Vérification de l'alignement :

1. S'assurer que le commutateur MARCHE/ARRÊT (C) du moteur est en position d'ARRÊT.
2. Laisser refroidir l'appareil.
3. Débrancher le fil de la bougie.
4. Purger le réservoir d'air.
5. Retirer le couvercle externe de la courroie.
6. Positionner une règle droite (X) contre la partie externe du volant (Y) et la poulie d'entraînement moteur (Z).
7. Mesurer la distance entre le bord de la courroie (AA) et la règle droite aux points A1 et A2 de la figure. La différence entre les mesures ne devrait pas excéder plus de 1,6 mm (1/16 po).



8. Dans le cas contraire, desserrer la vis de calage qui retient la poulie d'entraînement moteur à l'arbre et régler la position de la poulie sur l'arbre jusqu'à ce que les mesures entre les points A1 et A2 soient à moins de 1,6 mm (1/16 po) de distance l'un de l'autre.
9. Serrer les vis de calage de la poulie d'entraînement moteur à un couple de 16,4 à 20,3 Nm (145 à 180 po-lb).
10. Inspecter visuellement la poulie d'entraînement moteur pour vérifier si elle est perpendiculaire à l'arbre d'entraînement moteur. Sur la figure, les points B1 et B2 devraient paraître égal. Si non, desserrer les vis de calage de la poulie d'entraînement moteur et équilibrer B1 et B2 tout en prenant soin de ne pas déranger l'alignement de la courroie effectuée à l'étape 8.
11. Resserrer les vis de calage de la poulie d'entraînement moteur à un couple de 16,4 à 20,3 Nm (145 à 180 po-lb).
12. Remettre le protège-courroie en place.
13. Rebrancher le fil de la bougie.

Soupapes d'admission et d'échappement de la pompe du compresseur d'air

Une fois par année, faites appel à un technicien qualifié pour vérifier les soupapes d'admission et d'échappement de la pompe du compresseur d'air.

Inspection des conduites d'air et des raccords pour des fuites

1. S'assurer que le commutateur START (démarrage)/RUN (marche)/OFF (arrêt) (C) du moteur est en position OFF (arrêt).
2. Laisser refroidir l'appareil.
3. Débrancher le fil de la bougie.
4. Appliquez une solution savonneuse à tous les raccords, connexions et tuyaux des conduites d'air.
5. Éliminez toutes les fuites trouvées.

6. Rebrancher le fil de la bougie.

IMPORTANT: Même des fuites mineures peuvent forcer le compresseur d'air à travailler trop fort, entraînant ainsi une panne prématurée ou un rendement médiocre.

Boulons de la tête du compresseur - serrage

Les boulons de la tête du compresseur doivent être maintenus à un couple de serrage approprié. Vérifiez le couple de serrage des boulons après les cinq premières heures d'utilisation. Resserez au besoin. Couple à 43,4-50,2 Nm (32-37 pi-lbs.).

Service d'entretien additionnel

Le démontage ou un entretien du compresseur d'air au-delà de ce qui est indiqué dans ce guide ne sont pas recommandés. Si un entretien plus poussé est requis, communiquez avec le Centre de service sous garantie autorisé le plus proche.

Accessoires

Les accessoires recommandés pour votre outil peuvent être achetés auprès du distributeur local ou d'un centre de réparation agréé. Si vous avez besoin d'assistance pour trouver un accessoire pour votre outil, veuillez composer le 1-888-895-4549 ou visiter notre site Web à www.dewalt.com.

⚠AVERTISSEMENT: l'utilisation de tout autre accessoire non recommandé avec cet outil pourrait s'avérer dangereuse. Utiliser uniquement des accessoires de classement égal ou supérieur à celui de la compresseur d'air.

Information sur les réparations

Veuillez recueillir les informations suivantes pour tous les appels au Service à la clientèle :

Numéro du modèle _____ Numéro de série _____
Date et lieu de l'achat _____

Réparations

Pour assurer la SÉCURITÉ et la FIABILITÉ du produit, les réparations, l'entretien et les réglages doivent être réalisés par un centre de réparation en usine DEWALT, un centre de réparation agréé DEWALT ou par d'autres techniciens qualifiés. Toujours utiliser des pièces de rechange identiques.

Garantie limitée

Les outils **industriels DEWALT** sont garantis à partir de la date d'achat.

Garantie limitée de **DEUX (2) ANS** sur tous les compresseurs lubrifiés à l'huile

Garantie limitée **d'UN (1) AN** sur tous les compresseurs sans huile. Cette garantie n'est pas transférable à une tierce partie.

DEWALT réparera ou remplacera, à ses frais, à la discrétion de DEWALT, tout défaut pour vice de matière ou de fabrication. Pour toute information complémentaire relative à la couverture de la garantie et aux réparations prises en charge par celle-ci, veuillez appeler le 1-(888)-895-4549 ou vous rendre sur le site dewalt.com. Cette garantie ne s'applique pas aux accessoires, ou à tout dommage causé par des réparations effectuées ou tentées par un tiers. Cette garantie ne s'applique pas aux marchandises vendues par DEWALT qui ont été fabriquées par une autre compagnie, et identifiées comme telles, comme l'essence pour les moteurs. La garantie de son fabricant, si existante, sera alors applicable. **TOUT DOMMAGE, PERTE OU DÉPENSE ACCESSOIRE, INDIRECT OU IMMATÉRIEL POUVANT RÉSULTER DE TOUT DÉFAUT, DÉFAILLANCE OU DYSFONCTIONNEMENT DU PRODUIT N'EST PAS COUVERT PAR CETTE GARANTIE.** Certains états n'autorisent aucune exclusion ou limitation de garantie contre tout préjudice accessoire ou indirect, aussi il se peut que la limitation ou

l'exclusion susdite ne vous soit pas applicable. **TOUTE GARANTIE IMPLICITE, Y COMPRIS DE QUALITÉ MARCHANDE OU D'ADÉQUATION DANS UN BUT PARTICULIER, EST LIMITÉE À UN AN À COMPTER DE LA DATE D'ACHAT.**

Certains états n'autorisent aucune limitation quant à la durée de toute garantie implicite, aussi il se peut que l'exclusion susdite ne vous soit pas applicable. Cette garantie confère des droits légaux particuliers à l'acheteur, mais celui-ci pourrait aussi bénéficier d'autres droits variant d'un territoire à l'autre.

Ce à quoi la Société s'engage : (la société) s'engage à couvrir les pièces et la main-d'œuvre requises afin de remédier aux défauts importants constatés dans les matériaux ou dans la main-d'œuvre au cours de la première année suivant l'acquisition, sous réserve de ce qui suit. Les pièces utilisées pour la réparation des unités complètes ou des accessoires sont garanties pendant ce qui reste de la période de garantie initiale.

Qu'est-ce qui n'est pas couvert par cette garantie? L'incapacité de l'acheteur au détail initial d'installer, d'entretenir et d'exploiter cet équipement conformément aux pratiques industrielles normales. Les modifications apportées au produit ou le bricolage effectué sur ses composants, ou le manquement à se conformer aux recommandations spécifiques de la Société énoncées dans le manuel de l'utilisateur, rendront cette garantie nulle et non avenue. La Société rejette toute responsabilité pour les réparations, remplacements ou ajustements à l'équipement ou pour tous coûts liés au travail effectués sur l'équipement par l'acheteur sans l'autorisation préalable écrite de la Société. Les effets de la corrosion, de l'érosion, des conditions environnementales ambiantes, des défauts de nature superficielle et les matériaux requis pour la maintenance de routine sont expressément exclus de cette garantie. Les matériaux requis pour la maintenance de routine tels que l'huile, les lubrifiants et les filtres à air, ainsi que les changements d'huile, de filtres à air, de ten-

sion de courroie, etc. font partie de la responsabilité de l'utilisateur. Parmi les exclusions supplémentaires, il faut ajouter les dommages liés au transport, les défaillances liées à la négligence, aux accidents ou à une mauvaise utilisation, les moteurs à induction alimentés par un alternateur, les fuites d'huile, les fuites d'air, la consommation d'huile, les raccords qui fuient, les boyaux, les robinets d'évacuation d'air, les soupapes de purge et les tuyaux de transfert.

- Les composants suivants sont considérés comme des équipements sujets à usure normale et ne sont donc couverts que pendant un an après leur vente : courroies, faisceaux, volants, clapets de non-retour, manostats, déchargeurs à air, manettes d'accélération, moteurs électriques, balais, régulateurs, joints toriques, manomètres, tubes, conduits, raccords, attaches, roues, porte-outils à attache rapide, garnitures, joints d'étanchéité, logements de filtre à air, segments de piston, bielles de liaison et joints de piston.
- Les charges de main-d'œuvre, d'appels de service et de déplacements ne sont pas couvertes au-delà de la première année suivant l'acquisition pour les compresseurs fixes (compresseurs sans poignées et sans roues). Les réparations nécessitant des heures supplémentaires, des taux et tarifs de fin de semaine ou toute autre charge excédant le tarif standard de travail en atelier ne sont pas couvertes.
- Temps requis pour la formation d'orientation afin de permettre au centre de service d'obtenir accès au produit, ou du temps supplémentaire pour cause de sortie inadéquate.
- Les dommages causés par une tension incorrecte, un câblage inapproprié ou l'installation du compresseur par quelqu'un d'autre qu'un électricien professionnel agréé

rendront la garantie nulle et non avenue.

- Les dommages causés par un entretien inadéquat du filtre.
- L'usure de la pompe ou l'endommagement d'une valve causé par l'emploi d'un lubrifiant contre-indiqué.
- L'usure de la pompe ou un dommage causé par une contamination d'huile.
- L'usure de la pompe ou l'endommagement d'une valve causé par le non-respect des directives d'entretien correctes.
- L'utilisation sans huile ou avec un niveau d'huile insuffisant.
- Les moteurs à essence, si le produit est équipé d'un tel moteur : se reporter au manuel d'utilisation du moteur pour la couverture de la garantie spécifique du fabricant du moteur.

Pièces achetées séparément : la garantie pour les pièces achetées séparément, telles que les pompes, les moteurs, etc. s'applique comme suit :

À compter de la date d'achat

- Toutes les pompes à un étage ou à deux étages 1 an
- Moteurs électriques 90 jours
- Moteur/pompe universel(le) 30 jours
- Toute autre pièce 30 jours
- Aucune autorisation de retour ne sera accordée pour les composants électriques une fois qu'ils sont installés.

Comment obtenir du service? Afin d'être admissible au service sous garantie, vous devez être l'acheteur original au détail, et de fournir une preuve d'achat de l'un des concessionnaires de la société, des distributeurs ou magasins de vente au détail. Compresseurs portatifs ou des pièces doivent être livrées, ou expédiés, au Centre de service agréé le plus proche. Tous les frais de transport et les frais associés de voyage doivent être pris en charge par le consommateur.

mateur. S'il vous plaît appelez notre numéro sans frais 1-888-895-4549 pour une assistance.

CETTE GARANTIE VOUS ACCORDE DES DROITS LÉGAUX SPÉCIFIQUES ET VOUS POUVEZ BÉNÉFICIER D'AUTRES DROITS EN FONCTION DE L'ÉTAT OÙ CELLE-CI S'APPLIQUE.

LA SOCIÉTÉ N'OFFRE AUCUNE AUTRE GARANTIE NI REPRÉSENTATION DE QUELQUE SORTE QUE CE SOIT, EXPRESSE OU IMPLICITE, EXCEPTION FAITE DE LA PROPRIÉTÉ. TOUTES LES GARANTIES IMPLICITES, EN PARTICULIER TOUTE GARANTIE DE COMMERCIALISATION ET D'ADÉQUATION À UN USAGE PARTICULIER, SONT REJETÉES PAR LA PRÉSENTE. TOUTE RESPONSABILITÉ POUR DES DOMMAGES INDIRECTS ET CORRESPONDANT À L'UNE QUELCONQUE DES GARANTIES ET À L'ENSEMBLE DE CELLES-CI, À D'AUTRES CONTRATS, À LA NÉGLIGENCE OU À D'AUTRES DÉLITS CIVILS, EST EXCLUE CONFORMÉMENT AUX CLAUSES D'EXCLUSION DE LA LOI.

GLOSSAIRE

Pi³/min (CFM) : pied cube par minute.

SCFM : pied cube par minute (standard), une unité de mesure du soufflage.

PSI : livres par pouce carré, une unité de mesure de pression.

Code de certifications : les produits qui affichent un ou plusieurs des étampes suivantes : UL[®], CUL, ETL[®], CETL ont été évalués pas un laboratoire de sécurité indépendant sanctionné par l'OSHA et qui répond aux normes en vigueur des en ce qui a trait à la sécurité.

** UL[®] est une marque de commerce déposée d'Underwriters Laboratories et ETL[®] est une marque de commerce déposée d'Electrical Testing Laboratories.*

Code californien : l'appareil pourrait être conforme au code de la Californie 462 (I) (2)/(M) (2). L'étiquette de spécifications/modèle est apposée sur le côté du réservoir d'air des appareils qui sont conformes au code californien.

Pression de déclenchement de la soupape de décompression : tous les modèles sont des appareils qui fonctionne en continu et contrôlés par le réservoir d'air. La soupape de décompression du réservoir d'air se purgera dès que la pression maximale du réservoir est atteinte. Ainsi, le compresseur évacuera l'air dans l'atmosphère et non dans le réservoir. La décompression diminue la charge sur le moteur et lui permet de tourner à un régime presque à vide.

Pression de réinitialisation de la soupape de décompression : lorsque la pression du réservoir d'air chute sous une valeur de consigne, la soupape de décompression se ferme. La pression se développera de nouveau jusqu'à l'atteinte de la pression de déclenchement de la soupape de décompression.

Guide de dépannage

Cette section énumère les défaillances les plus communes, leurs causes et les mesures correctives. L'opérateur ou le personnel d'entretien peut exécuter certaines mesures correctives, d'autres exigent l'assistance d'un technicien DEWALT qualifié ou du distributeur.

Problème	Code
Pression excessive dans le réservoir d'air : la soupape de sûreté claque	1
Fuites d'air	2
Fuite d'air continue à la soupape de décompression	3
Fuites d'air dans le réservoir d'air ou dans les soudures du réservoir d'air	4
Fuites d'air entre la tête et la plaque porte-soupapes	5
Fuites d'air à la soupape de sûreté	6
Le compresseur ne fournit pas la quantité d'air requise pour le fonctionnement d'accessoires	2, 7, 8, 9, 10, 12, 13
Admission d'air restreinte	12
Vibrations excessives	14, 15
Cliquetis	6, 13, 14, 15, 16, 17, 18, 19
Usure excessive de la courroie	13, 14, 16, 19, 20
Sifflement	13
Moteur refuse de démarrer	21, 22, 23, 34
La pression affichée sur le manomètre régulé chute dès l'utilisation d'un accessoire	24
Fuite d'air continue au bouton du régulateur	25
Le régulateur ne parvient pas à fermer la sortie d'air	25
Humidité présente dans le carter de la pompe	2, 5, 11, 26, 27, 28, 29, 30, 31
Pompe refuse de fonctionner	32
Pression du réservoir d'air ne se développe pas	32, 33

Codes de dépannage




CODE	CAUSE POSSIBLE	POSSIBLE SOLUTION
1	La soupape de décompression ne s'ouvre pas lorsque le réservoir d'air atteint la pression de déclenchement	Remplacer la soupape de décompression. Communiquer avec un centre de réparation en usine de DEWALT ou un centre de réparation agréé DEWALT.
2	Les raccords sont lâches	Serrer les raccords qui émettent un sifflement de fuite d'air. Contrôler les raccords avec une solution d'eau savonneuse. NE PAS TROP SERRER.
3	Soupape de décompression défectueuse	Arrêter le moteur, tourner le levier de décompression du blocage manuel en position perpendiculaire fermée. S'il y a présence de fuites d'air au réservoir par la soupape de décompression, la remplacer.
4	Réservoir d'air défectueux	Le réservoir d'air doit être remplacé. Ne pas réparer la fuite. ⚠️AVERTISSEMENT : Risque d'éclatement. Ne pas percer le réservoir d'air, ni le souder ou le modifier de quelque manière qui soit. Ces interventions l'affaibliront. Le réservoir risque de rompre ou d'exploser.
5	Joints d'étanchéité fuyants	Communiquer avec un centre de réparation en usine de DEWALT ou un centre de réparation agréé DEWALT.
6	Soupape de sûreté défectueuse	Faites fonctionner la soupape manuellement en tirant sur la bague. Si la soupape fuit toujours, la remplacer.
7	Utilisation excessive prolongée de l'air	Diminuer la quantité d'air utilisée.
8	Le compresseur ne dispose pas de la capacité adéquate pour l'utilisation d'accessoires	Vérifier les exigences d'air de l'accessoire. Si elles sont supérieures au SCFM ou à la pression fournie par le compresseur d'air, un compresseur de plus grande capacité est requis pour l'utilisation de l'accessoire.
9	Trou dans le tuyau d'air	Vérifier le tuyau et le remplacer le cas échéant.
10	Soupape de décompression obstruée	Retirer, nettoyer ou remplacer.
11	L'appareil fonctionne dans des conditions humides ou fraîches	Déplacer l'appareil dans un endroit sec bien aéré.
12	Filtre d'admission d'air obstrué	Nettoyer ou remplacer le filtre d'admission d'air.
13	Courroie lâche	Contrôler la tension de la courroie, consulter la rubrique Réglage de la tension de la courroie sous <i>Entretien</i> .

CODE	CAUSE POSSIBLE	POSSIBLE SOLUTION
14	Écrous de montage du moteur ou lâches	Serrer les écrous de montage du moteur à un couple de 13,5 a 27,1 Nm/10 a 20 libras-pie. ⚠AVERTISSEMENT : <i>Risque d'éclatement. Des vibrations excessives peuvent affaiblir le réservoir d'air et provoquer une rupture ou une explosion de celui-ci. Maintenir les vis de fixation bien serrées.</i>
15	Le boulon du support du raidisseur de la pompe est lâche	Contrôler le boulon et le serrer le cas échéant. Serrer le boulon du support du raidisseur de la pompe à un couple de 13,5 a 27,1 Nm/10 a 20 libras-pie). ⚠AVERTISSEMENT : <i>Risque d'éclatement. Des vibrations excessives peuvent affaiblir le réservoir d'air et provoquer une rupture ou une explosion de celui-ci. Maintenir le boulon du support du raidisseur serré. Ne jamais utiliser l'appareil sans le support du raidisseur.</i>
16	Poulie lâche	Serrer les vis de calage de la poulie à un couple de 16,4 à 20,3 Nm (145 à 180 po-lb).
17	Volant lâche	Serrer la vis du volant à un couple de 29,8 à 35,3 Nm (22 à 26 pi-lb).
18	Accumulation de carbone dans la pompe	Communiquer avec un centre de réparation en usine de DEWALT ou un centre de réparation agréé DEWALT.
19	Courroie trop serrée	Contrôler la tension de la courroie, consulter la rubrique Réglage de la tension de la courroie sous <i>Entretien</i> .
20	Mauvais alignement de la poulie	Consulter la rubrique Alignement de la poulie-moteur/volant sous <i>Entretien</i> .
21	Pression dans le réservoir d'air trop élevée	Ouvrir le régulateur et réduire la pression du réservoir à moins de 40 psi.
22	Moteur défaillant	Communiquer avec un centre de réparation en usine de DEWALT ou un centre de réparation agréé DEWALT.
23	Niveau d'huile moteur ou de la pompe bas	Ajouter à la pompe une huile complètement synthétique et sans détergent pour compresseur d'air. Consulter la rubrique Huile de la pompe du compresseur sous <i>Entretien</i> .

CODE	CAUSE POSSIBLE	POSSIBLE SOLUTION
24	Le régulateur n'est pas réglé correctement pour l'accessoire utilisé	Il est normal que la pression chute lorsqu'un accessoire est utilisé, ajuster le régulateur comme indiqué sous <i>Caractéristiques</i> si la pression chute trop. REMARQUE : Régler la pression réglée sous des conditions de travail avec l'utilisation de l'accessoire.
25	Régulateur endommagé	Le remplacer.
26	Utilisation d'huile détergente dans la pompe	Vidanger l'huile et recharger la pompe avec un huile complètement synthétique et sans détergent pour compresseur d'air.
27	Cycles de travail extrêmement léger	Utiliser l'appareil pour des cycles de travail plus prolongés. On recommande de l'utiliser à plein régime de 50 % à 75 % de son temps de fonctionnement et au ralenti pour les autres 25 %.
28	Segments de pistons endommagés ou usés	Communiquer avec un centre de réparation en usine de DEWALT ou un centre de réparation agréé DEWALT.
29	Cylindre ou piston endommagé ou usé	Communiquer avec un centre de réparation en usine de DEWALT ou un centre de réparation agréé DEWALT.
30	Fini du cylindre du compresseur est usé	Communiquer avec un centre de réparation en usine de DEWALT ou un centre de réparation agréé DEWALT.
31	Eau présente dans l'huile de la pompe	Vidanger l'huile et recharger la pompe avec un huile complètement synthétique et sans détergent pour compresseur d'air.
32	Levier de décompression du blocage manuel est en position ouverte	Tourner le levier de décompression du blocage manuel en position perpendiculaire fermée .
33	Régulateur ouvert	Tourner le bouton du régulateur en sens antihoraire jusqu'au butoir intégré et l'enfoncer pour le verrouiller.
34	Réservoir d'essence de la pompe vide	Ajouter de l'essence, consulter le mode d'emploi du moteur pour la bonne procédure.

REPLACEMENT GRATUIT DES ÉTIQUETTES D'AVERTISSEMENT : si les étiquettes d'avertissement deviennent illisibles ou sont manquantes, composer le 1-888-895-4549 pour en obtenir le remplacement gratuit.

<p>AVERTISSEMENT</p> <p>Avant la mise en marche, lisez et comprenez le manuel d'opérateur pour sécurité et fonctionnement et entretenez. Pour obtenir un manuel de remplacement, contactez le Compressor Service, 118 West Rock Street, Springfield, MN 56087</p>	<p>Risque d'éclatement—Ne pas régler le régulateur* de pression de sortie à une pression supérieure à la pression maximale indiquée pour l'accessoire. *Pour les appareils qui ne sont pas équipés d'un régulateur, utilisez des pièces de manutention pneumatiques conformes à une pression nominale minimum de 9.3 bar (135 PSI) (neuf degrés) ou 13.8 bar (200 PSI) (deux degrés) • REMPLISSEZ SERRURES OU RÉSERVOIR, couvrez l'opération et des blessures ou à mortelles dommages matériels. Purgez l'eau condensée du réservoir après chaque utilisation régulière. Ne jama</p>	<p>ADVERTENCIA</p> <p>Riesgo de estallido—NUNCA ajuste el regulador* de modo que la presión de salida sea mayor que la presión máxima marcada en el accesorio. *Las unidades sin regulador utilice requisitos de transporte de aire clasificados a un mínimo de 9.3 bar (siete grados) o 13.8 bar (dos etapas) • HERMETICAMENTE CIERRE EL TANQUE, cubra el accesorio y graves lesiones o mortales daños a la propiedad. Purgue la agua condensada del tanque después de cada uso regulado herméticamente. • Nunca respere ni suelde el tanque de aire re-empañado.</p>	<p>Antes de arrancar la unidad, lea y entienda el manual del operador por la operación y mantenimiento seguro. Para obtener un manual nuevo escriba Compressor Service, 118 West Rock Street, Springfield, MN 56087</p>
<p>Risque d'incendie ou d'explosion—Le vapor de gasolina sont extrêmement inflammables. Remplissez le réservoir de carburant à l'extérieur ou dans un endroit bien aéré. • Ne pas vaporiser de la ou gaze inflammables dans un endroit confiné ou vers un surface chaude. • Les locaux où se fait de la vaporisation doivent être bien ventilés. • Ne pas fumer lors de la vaporisation ni vaporiser en présence d'entroulées ou les flammes. • Cet appareil produit des des areas electros. Placer le compresseur à au moins 7 m (20 ft) de vapores explosives, comme lors de la vaporisation au pistolet.</p>	<p>Risque de blessure—Ne pas diriger le jet d'air vers l'opérateur. • Débranchez le fil de la bougie d'allumage et éliminez toute la pression d'air du réservoir avant d'entretenir ce compresseur et après chaque usage. • Ne jamais faire fonctionner le modèle sans le protecteur de courroie. • L'air produit par un compresseur n'est pas respirable. • Portez des lunettes de protection.</p>	<p>Riesgo de lesiones—Nunca dirija el corriente de aire hacia el cuerpo. • Nunca opere la unidad con las defensas provistas. • Desconecte el cable de bujía y elimine toda la presión de aire del tanque antes de realizar el servicio a este compresor y después cada uso. • El aire comprimido no es apto para propósitos de respiración. • Lleve lentes de seguridad.</p>	<p>Risque de incendie ou explosion—El vapor de gasolina es altamente inflamable. Llene el combustible al exterior, o en un área bien ventilada. • Nunca rocíe líquidos inflamables dentro de una zona cerrada o hacia una superficie caliente. • La zona de rociado debe estar bien ventilada. • Nunca fume al rociar ni rocíe en presencia de una chispa o flama. • Este unidad produce areas electricas. Coloque el compresor a al menos 7 m de los vapores explosivos, como cuando rociado con un pistolo de rociar.</p>
<p>Risques d'asphyxie par oxyde de carbone—Le moteur produit des gaz d'échappement mortels. Ne faites jamais fonctionner la machine dans un endroit clos.</p>	<p>• Vérifier niveau d'huile du compresseur avant chaque usage et remplir à conformément.</p>	<p>VALVE DE ESCOZAJE • DEMARRAJE / ARRANQUE • VALVULA DE DESGASEO • FUNCIONAMIENTO / FUNCIONANDO</p>	<p>Riesgo de envenenamiento con monóxido de carbono—El motor produce los nocivos gases de escape. Nunca se debe hacer funcionar la unidad en un área cerrada.</p>

<p>⚠ DANGER</p> <p>Using a gasoline engine driven compressor indoors CAN KILL YOU IN MINUTES. Gasoline engine exhaust contains carbon monoxide. This is a poison you cannot see or smell.</p>	<p>⚠ DANGER</p> <p>L'utilisation d'un compresseur fonctionnant avec un moteur à l'intérieur d'un bâtiment PEUT VOUS TUER EN QUELQUES MINUTES. L'échappement d'un moteur à essence contient du monoxyde de carbone. Il s'agit d'un poison invisible et inodore.</p>	<p>⚠ PELIGRO</p> <p>Usar un compresor con motor a gasolina en un interior PUEDE MATARLO EN MINUTOS. El humo de escape del motor a gasolina contiene monóxido de carbono. Es un veneno que no puede ver u oler.</p>	<p>⚠ WARNING</p> <p>Before starting, read and understand operator manual for safe operation and maintenance. For replacement manual write to: Compressor Service, 118 West Rock Street, Springfield, MN 56087</p>	<p>⚠ WARNING</p> <p>Before starting, read and understand operator manual for safe operation and maintenance. For replacement manual write to: Compressor Service, 118 West Rock Street, Springfield, MN 56087</p>
 <p>NEVER use inside a home or garage. EVEN IF doors and windows are open. NEVER use indoors in a room or in a garage. NEVER use for parties or for business parties. NEVER use in a room or in a garage. NEVER use in a room or in a garage. NEVER use in a room or in a garage.</p>	 <p>Only use OUTSIDE and far away from windows, doors and vents. Ne jamais utiliser à l'intérieur d'une maison ou d'un garage. NE JAMAIS utiliser à l'intérieur d'une maison ou d'un garage. NE JAMAIS utiliser à l'intérieur d'une maison ou d'un garage. NE JAMAIS utiliser à l'intérieur d'une maison ou d'un garage.</p>	 <p>Never use indoors or in a garage. NEVER use indoors or in a garage. NEVER use indoors or in a garage. NEVER use indoors or in a garage. NEVER use indoors or in a garage.</p>	<p>⚠ RISK OF FIRE OR EXPLOSION - Gasoline vapor is highly flammable. Refuel outdoors or in a well-ventilated area. • DO NOT spray flammable liquid in a confined area or towards a hot surface. • Spray area must be well-ventilated. • DO NOT smoke while spraying or spray where spark or flame is present. • Arching parts - Keep compressor at least 20 feet away from explosive vapors, such as when spraying with a spray gun. • Risk of bursting - Do not adjust regulator to result in output pressure greater than marked maximum pressure of attachment. • Units without a regulator: use air-handling parts rated at minimum 135 PSI (1 stage) or 200 PSI (2 stage). • RUST WEAKENS TANK, may cause explosion and severe or fatal injury/property damage. Drain condensed water from tank after each use to reduce rusting. • DO NOT weld on or repair tank - replace.</p>	<p>⚠ RISK OF FIRE OR EXPLOSION - Gasoline vapor is highly flammable. Refuel outdoors or in a well-ventilated area. • DO NOT spray flammable liquid in a confined area or towards a hot surface. • Spray area must be well-ventilated. • DO NOT smoke while spraying or spray where spark or flame is present. • Arching parts - Keep compressor at least 20 feet away from explosive vapors, such as when spraying with a spray gun. • Risk of bursting - Do not adjust regulator to result in output pressure greater than marked maximum pressure of attachment. • Units without a regulator: use air-handling parts rated at minimum 135 PSI (1 stage) or 200 PSI (2 stage). • RUST WEAKENS TANK, may cause explosion and severe or fatal injury/property damage. Drain condensed water from tank after each use to reduce rusting. • DO NOT weld on or repair tank - replace.</p>
<p>⚠ WARNING</p> <p>HOT SURFACES: To reduce the risk of burns - Do not touch exposed metal parts.</p>	<p>⚠ ADVERTENCIA</p> <p>SURFACES CHAUDES: Pour réduire le risque de brûlures - Ne pas toucher aux surfaces métalliques exposées. SUPERFICIES CALIENTES: Para reducir el riesgo de sufrir quemaduras - No tocar las superficies metálicas expuestas.</p>	<p>⚠ RIESGO DE EROSION</p> <p>Prevent tank corrosion. After each usage, drain all moisture from tank.</p>	<p>⚠ RISK OF BURSTING</p> <p>Prevent tank corrosion. After each usage, drain all moisture from tank.</p>	<p>⚠ RIESGO DE EXPLOSION</p> <p>Prevent tank corrosion. After each usage, drain all moisture from tank.</p>
<p>⚠ WARNING</p> <p>OPERATE IN A CLEAN, DRY AND WELL VENTILATED AREA. Do not operate this compressor in rain, snow or in an area of standing water. FAIRE FONCTIONNER DANS UN ENDROIT LOCAL PROPRE, SEC ET BIEN VENTILÉ. Ne pas utiliser cette ce compresseur sous la pluie, la neige ou dans une zone d'eau stagnante. MANEJAR EN UN LUGAR LIMPIO, SECO Y BIEN VENTILADO. No opere este compresor bajo la lluvia, nieve o en áreas de agua estancada.</p>	<p>⚠ ADVERTENCIA</p> <p>OPERATE IN A CLEAN, DRY AND WELL VENTILATED AREA. Do not operate this compressor in rain, snow or in an area of standing water. FAIRE FONCTIONNER DANS UN ENDROIT LOCAL PROPRE, SEC ET BIEN VENTILÉ. Ne pas utiliser cette ce compresseur sous la pluie, la neige ou dans une zone d'eau stagnante. MANEJAR EN UN LUGAR LIMPIO, SECO Y BIEN VENTILADO. No opere este compresor bajo la lluvia, nieve o en áreas de agua estancada.</p>	<p>⚠ RISK OF BURSTING</p> <p>Prevent tank corrosion. After each usage, drain all moisture from tank.</p>	<p>⚠ RISK OF BURSTING</p> <p>Prevent tank corrosion. After each usage, drain all moisture from tank.</p>	<p>⚠ RISK OF CARBON MONOXIDE POISONING - Engine produces deadly exhaust. DO NOT run compressor in enclosed area. Risk of injury—DO NOT direct air stream at body - DO NOT operate with supplied guards removed. • Disconnect sparkplug and drain all air pressure from tank before servicing and after each use. DO NOT use compressed air for breathing. Wear eye protection.</p>
<p>UNLOADER VALVE RUNNING</p>	<p>UNLOADER VALVE RUNNING</p>	<p>UNLOADER VALVE RUNNING</p>	<p>UNLOADER VALVE RUNNING</p>	<p>UNLOADER VALVE RUNNING</p>

Français

Compresor de aire

- A. Filtro de entrada de aire de la bomba
- B. Filtro de aire del motor
- C. Interruptor de Encendido/ Apagado del motor
- D. Manómetro del tanque de aire
- E. Manómetro regulado
- F. Regulador de presión
- G. Salida de aire
- H. Válvula de descarga
- I. Válvula de seguridad
- J. Válvula de drenaje del tanque de aire
- K. Varilla para medición del nivel de aceite de la bomba/Tapón de llenado de aceite

- L. Tapón de drenaje de aceite de la bomba
- M. Válvula reguladora fija
- N. Control de estrangulación
- O. Palanca de la válvula de combustible
- P. Agarradera de arranque

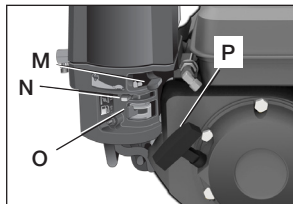
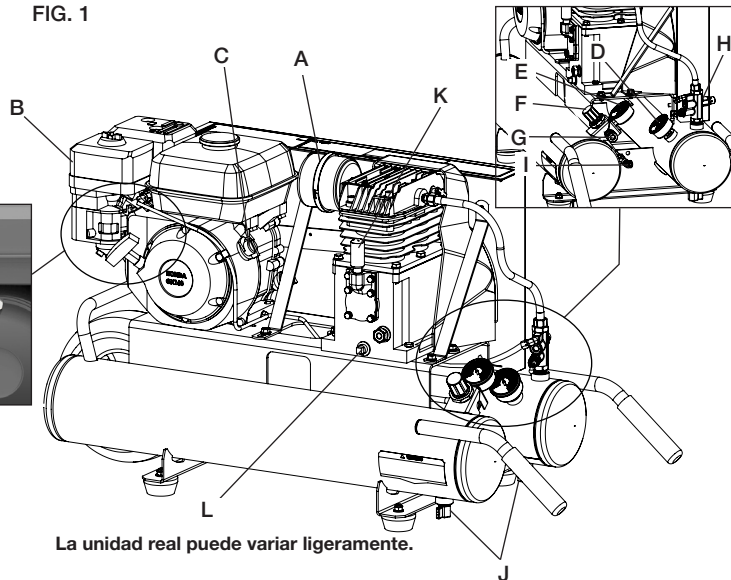


FIG. 1



La unidad real puede variar ligeramente.

Especificaciones de la bomba

Cilindros gemelos verticales, en línea
Etapa sencilla
Lubricación con aceite
Cárter, cilindro y cabeza en hierro colado
Peso: 22,2 kg (49 lbs.)
Capacidad de aceite: 473 ml (16 onzas)

Especificaciones del motor

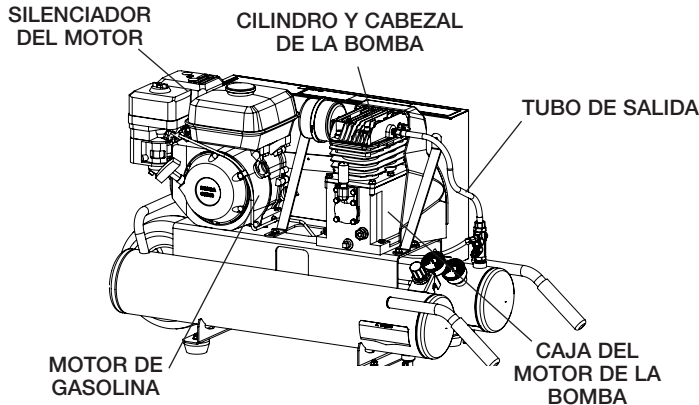
Honda 160 cc
Combustión interna
4 tiempos
RPM máximas 2000 a 3600
RPM en vacío 1250 a 1600

Especificaciones

MODELO	DXCMTB5590856
PESO	76,2 kg (168 lbs)
ALTURA	641,4 mm (24,14 pi)
ANCHO	463,5 mm(17,26 pi)
LONGITUD	1 134,1 mm (44,65 pi)
CAPACIDAD DEL TANQUE DE AIRE	30,3 liters (8 galones)
PRESIÓN APROXIMADA DE ALIVIO	150 psi
VALORES TÍPICOS @ 100 PSI SCFM	9,9 *
* Probado según la norma ISO 1217	

Superficies calientes

FIG. 2



Definiciones: Normas de seguridad

Las siguientes definiciones describen el nivel de gravedad de cada advertencia. Lea el manual y preste atención a estos símbolos.

⚠PELIGRO: Indica una situación de peligro inminente que, si no se evita, **provocará la muerte o lesiones graves.**

⚠ADVERTENCIA: Indica una situación de peligro potencial que, si no se evita, **podría provocar la muerte o lesiones graves.**

⚠ATENCIÓN: Indica una situación de peligro potencial que, si no se evita, **puede provocar lesiones leves o moderadas.**

AVISO: Se refiere a una práctica **no relacionada a lesiones corporales** que de no evitarse **puede resultar en daños a la propiedad.**

SI TIENE ALGUNA PREGUNTA O ALGÚN COMENTARIO QUE HACER CON RESPECTO A ESTA O CUALQUIER OTRA HERRAMIENTA DEWALT, LLÁMENOS SIN CARGO AL:

1-888-895-4549

Instrucciones de seguridad importantes

⚠PELIGRO: Monóxido de carbono. Usar un motor en interiores lo matará en minutos. El escape del motor contiene altos niveles de monóxido de carbono (CO), un gas venenoso que no se puede ver ni oler. Puede estar inhalando CO aún si **NO** huele los gases del escape del motor.

- **NUNCA** use un motor en el interior de casas, garajes, sótanos u otras áreas parcialmente cerradas. En esas áreas se pueden acumular niveles mortales de monóxido de carbono. Usar un ventilador o abrir las ventanas **NO** suministra suficiente aire fresco.
- **ÚSELO SOLAMENTE** en exteriores y lejos de ventilaciones, puertas y ventanas abiertas. Estas aberturas pueden atraer el

escape del motor.

- Aun cuando el motor se use correctamente, el CO se puede infiltrar en su hogar. Dentro de la casa, utilice **SIEMPRE** una alarma contra CO a batería o con batería de reserva (no suministrada). Antes de usar la alarma contra CO, lea y siga todas las instrucciones. Si comienza a sentir náuseas, mareos o debilidad, vaya a un lugar con aire fresco de inmediato. Consulte a un médico. Es posible que se haya envenenado con monóxido de carbono.

⚠ADVERTENCIA: No opere esta unidad hasta que haya leído este manual de instrucciones y el del motor y las instrucciones de seguridad, operación y mantenimiento.

⚠ADVERTENCIA: Es posible que este producto no esté equipado con un silenciador apagachispas. Si el producto no está equipado con este dispositivo y se va a usar alrededor de materiales inflamables o sobre tierra cubierta con materiales como cultivos agrícolas, bosques, malezas, césped u otros elementos similares, debe instalarle un apagachispas aprobado. Éste es un requisito legal en el estado de California. Que el motor no esté equipado con un apagachispas, como se define en la sección 4442 del Código de Recursos Públicos de California ni se mantenga en un estado de operación eficaz, constituye una violación a la sección 13050 y/o a las secciones 4442 y 4443 de los estatutos de California. Los apagachispas también se requieren en ciertas tierras del Servicio Forestal de los Estados Unidos, y pueden ser obligatorios por ley en virtud de otros estatutos y ordenanzas.

⚠ADVERTENCIA: CONTIENE PLOMO. Puede ser dañino si se ingiere o se mastica. Puede generar polvo que contenga plomo. Lávese las manos después del uso. Manténgalo fuera del alcance de los niños.

⚠ADVERTENCIA: Este producto le podría exponer a productos químicos incluyendo Plomo, reconocido por el Estado de

California como causante de cáncer, defectos de nacimiento u otros daños del sistema reproductivo. Para obtener más información, visite www.P65Warnings.ca.gov.

GUARDE ESTAS INSTRUCCIONES



⚠PELIGRO: RIESGO DE EXPLOSIÓN O INCENDIO

¿QUÉ PUEDE SUCEDER?

- La gasolina derramada y sus vapores pueden encenderse a causa de chispas de cigarrillos, arcos eléctricos, gases de escape y componentes calientes del motor, tales como el silenciador.
- El calor expandirá el combustible dentro del tanque, lo que podría provocar un derrame y una posible explosión incendio.

CÓMO EVITARLO

- Apague el motor y deje que se enfríe antes de agregar combustible al tanque.
- Sea cuidadoso al llenar el tanque para evitar el derrame de combustible. Aleje la unidad del área combustible antes de encender el motor.
- Mantenga el nivel máximo de combustible a 12,7 mm (1/2 pulg.) por debajo de la parte inferior del cuello de llenado a fin de brindar espacio para la expansión del combustible.

- Los materiales combustibles que entran en contacto con los componentes calientes del motor pueden encenderse.
- Agregue combustible en el exterior, en un área bien ventilada. Asegúrese de que no haya fuentes de ignición, tales como cigarrillos cerca del lugar de recarga de combustible.
- Opere el compresor en un área limpia, seca, bien ventilada y a una distancia mínima de 1,22 m (48 pulg.) de cualquier edificación, objeto o pared. No opere la unidad dentro de la casa o en un área muy cerrada.
- Opere el compresor en un lugar abierto, alejado de malezas secas o de otros materiales combustibles.
- Almacene el combustible dentro de un contenedor aprobado por OSHA en un lugar seguro, lejos del área de trabajo.
- El combustible que no se almacena en forma correcta podría causar la ignición accidental. Si no se le resguarda adecuadamente, podría terminar en manos de niños u otras personas no calificadas.

- El funcionamiento sin atención de este producto podría provocar lesiones personales o daños a la propiedad. Para disminuir el riesgo de incendio, no permita que el compresor funcione sin que alguien lo controle.
- Permanezca siempre controlando el producto cuando está en funcionamiento.



▲ PELIGRO: RIESGO RESPIRATORIO (ASFIXIA)

¿QUÉ PUEDE SUCCEDER?

- ¡La inhalación de vapores de escape causará lesiones graves o la muerte! El escape del motor contiene monóxido de carbono, un gas inodoro que es fatal.

CÓMO EVITARLO

- Opere siempre el compresor de aire en el exterior, en un área limpia y bien ventilada. Evite los lugares cerrados como garajes, sótanos, cobertizos de almacenamiento, que carecen de una renovación de aire continua. Mantenga a los niños, las mascotas y a otras personas lejos del área de operación.

- El aire comprimido que sale de su compresor no es seguro para respirarlo. El flujo de aire puede contener monóxido de carbono, vapores tóxicos o partículas sólidas del tanque de aire. Respirar estos contaminantes puede provocar lesiones graves o la muerte.
- El aire que se obtiene directamente del compresor no se debe usar nunca para consumo humano. El compresor no incluye equipo de seguridad en línea y filtros adecuados para consumo humano.
- La exposición a productos químicos en el polvo producido por las herramientas eléctricas al lijar, aserrar, esmerilar, taladrar y otras actividades de la construcción puede ser peligrosa.
- Los materiales pulverizados como pintura, solventes para pinturas, removedor de pintura, insecticidas y herbicidas pueden contener vapores dañinos y venenos.
- Trabaje en un área con buena ventilación cruzada. Lea y siga las instrucciones de seguridad que se proveen en la etiqueta o en la ficha técnica de los materiales que está utilizando. Siempre utilice equipamiento de seguridad certificado: protección respiratoria aprobada por NIOSH/OSHA o una mascarilla facial adecuada diseñada para usar para los fines que usted requiere.



⚠ADVERTENCIA: RIESGO DE EXPLOSIÓN

Tanque de aire: El 26 de febrero de 2002, la Comisión de Seguridad para Productos de Consumo de los Estados Unidos publicó el Comunicado # 02-108 sobre la seguridad en los tanques de compresores de aire:

Los tanques receptores de los compresores de aire no tienen una vida útil infinita. La vida útil del tanque depende de diversos factores, incluyendo las condiciones de operación, las condiciones ambientales, la instalación debida del mismo, modificaciones realizadas en el campo y el nivel de mantenimiento que reciba. Es difícil prever cuál será el efecto exacto de estos factores sobre la vida útil del tanque receptor de aire.

Si no se siguen procedimientos de mantenimiento debidos, la corrosión interna de la pared interior del tanque receptor de aire puede causar una ruptura imprevista en el tanque de aire, lo que hará que el aire presurizado escape con fuerza y repentinamente, pudiendo lesionar al usuario.

El tanque de su compresor de aire debe ser dado de baja al final del año que aparece en la etiqueta de advertencia de su tanque. Las siguientes condiciones pueden llevar a debilitar el tanque de aire y ocasionar la explosión violenta del mismo:

¿QUÉ PUEDE SUCEDER?

- No drenar correctamente el agua condensada del tanque de aire, que provoca óxido y adelgazamiento del tanque de aire de acero.

- Modificaciones o intento de reparación del tanque de aire.

- Modificaciones no autorizadas de la válvula de descarga, la válvula de seguridad o cualquier otro componente que controle la presión del tanque de aire.

- La vibración excesiva puede debilitar el tanque de aire y provocar rotura o explosión. La vibración excesiva puede ocurrir si el compresor no está instalado correctamente o si el motor funciona por encima de las RPM recomendadas.

CÓMO EVITARLO

- Drene el tanque diariamente o luego de cada uso. Si un tanque de aire presenta una pérdida, reemplácelo inmediatamente con un tanque nuevo o reemplace todo el compresor.

- Nunca perfore, suelde o haga ninguna modificación al tanque de aire o a sus elementos. Nunca intente reparar un tanque de aire dañado o con pérdidas. Reemplácelo con un tanque de aire nuevo.

- El tanque de aire está diseñado para soportar determinadas presiones de operación. Nunca realice ajustes ni sustituya piezas para cambiar las presiones de operación fijadas en la fábrica.

- No retire la barra tensora que conecta la bomba del compresor al motor, salvo para ajustar la tensión de la correa. Luego ajuste bien los pernos de la barra tensora. Esta barra controla la vibración de la unidad.

Elementos y accesorios:

- Exceder las indicaciones de presión para las herramientas neumáticas, las pistolas pulverizadoras, los accesorios neumáticos, los neumáticos y otros artículos inflables puede hacer que exploten o revienten, y puede provocar lesiones graves.
- Siga la recomendación del fabricante del equipo y nunca exceda el nivel máximo de presión aceptable para los elementos. Nunca utilice el compresor para inflar objetos pequeños de baja presión, tales como juguetes de niños, pelotas de fútbol o de básquetbol, etc.

Neumáticos:

- El inflado excesivo de los neumáticos podría causar lesiones graves y daño a la propiedad.
- Utilice un medidor de presión de neumáticos para controlar la presión de éstos antes de cada uso y mientras los infla; observe el flanco para ver la presión correcta del neumático.

NOTA: Los tanques de aire, los compresores y el equipo similar que se usa para inflar neumáticos pueden llenar neumáticos pequeños como éstos con mucha rapidez. Ajuste el regulador de presión en el suministro de aire a un valor que no supere el de la presión del neumático. Agregue aire en forma gradual y use con frecuencia el medidor de presión de neumáticos para evitar inflarlos.



⚠ADVERTENCIA: RIESGO DE OBJETOS DESPEDIDOS

¿QUÉ PUEDE SUCCEDER?

- La corriente de aire comprimido puede provocar lesiones en los tejidos blandos de la piel expuesta y puede impulsar suciedad, astillas, partículas sueltas y objetos pequeños a gran velocidad, que pueden producir daños en la propiedad y lesiones personales.

CÓMO EVITARLO

- Utilice siempre equipo de seguridad certificado: anteojos de seguridad ANSI Z87.1 (CAN/CSA Z94.3) con protección lateral al usar el compresor.
- Nunca apunte ninguna boquilla ni pulverizador a ninguna parte del cuerpo o a otras personas o animales.
- Apague siempre el compresor y drene la presión de la manguera de aire y del tanque de aire antes de intentar hacer mantenimiento, conectar herramientas o accesorios.



⚠ADVERTENCIA: RIESGO DE SUPERFICIES CALIENTES

¿QUÉ PUEDE SUCCEDER?

- Tocar metal expuesto como el cabezal del compresor, el cabezal del motor, el escape del motor, o los tubos de salida puede provocar quemaduras graves.

CÓMO EVITARLO

- Nunca toque ninguna parte metálica expuesta del compresor durante o inmediatamente después de su funcionamiento. El compresor continuará caliente durante varios minutos después de su funcionamiento.
- No toque las cubiertas protectoras ni intente realizar mantenimiento hasta que la unidad se haya enfriado.



⚠ADVERTENCIA: RIESGO POR PIEZAS MÓVILES

¿QUÉ PUEDE SUCCEDER?

- El motor puede arrancar en forma accidental si el volante se gira con la mano o si se mueve al tirar de la cuerda de arranque.

CÓMO EVITARLO

- Desconecte siempre la bujía y drene la presión del tanque de aire antes de realizar tareas de mantenimiento.

- Las piezas móviles como la polea, el volante y la correa pueden provocar lesiones graves si entran en contacto con usted o con sus ropas.
- Nunca haga funcionar el compresor sin los protectores o cubiertas o si los mismos están dañados.
- Mantenga el cabello, la ropa y los guantes alejados de las piezas en movimiento. Las ropas holgadas, las joyas o el cabello largo pueden quedar atrapados en las piezas móviles.
- Los orificios de ventilación pueden cubrir piezas en movimiento, por lo que también se deben evitar.
- Intentar hacer funcionar el compresor con partes dañadas o faltantes, o intentar reparar el compresor sin las cubiertas protectoras puede exponerlo a piezas móviles, lo que puede provocar lesiones graves.
- Cualquier reparación requerida por este producto debe ser realizada por un centro de servicio de fábrica DEWALT o un centro de servicio autorizado DEWALT.



⚠️ **ADVERTENCIA: RIESGO DE OPERACIÓN INSEGURA**

¿QUÉ PUEDE SUCEDER?

- La operación insegura de su compresor de aire podría producir lesiones graves o la muerte, a usted mismo o a otras personas.

CÓMO EVITARLO

- Revise y comprenda todas las instrucciones y advertencias de este manual.
- Familiarícese con la operación y los controles del compresor de aire.
- Mantenga el área de operaciones libre de personas, mascotas y obstáculos.
- Mantenga a los niños alejados del compresor de aire en todo momento.
- No opere el producto cuando esté cansado o bajo la influencia de alcohol o drogas. Manténgase alerta en todo momento.
- Nunca anule las características de seguridad de este producto.
- Equipe el área de operaciones con un extintor de incendios.
- No opere la máquina si faltan piezas, si éstas están rotas o si no son las autorizadas.
- Nunca se pare sobre el compresor.



⚠️ ADVERTENCIA: RIESGO DE LESIÓN POR LEVANTAR MUCHO PESO

¿QUÉ PUEDE SUCEDER?

- El intento de levantar un objeto muy pesado puede provocar lesiones graves.

CÓMO EVITARLO

- El compresor es demasiado pesado como para que lo levante una sola persona. Consiga ayuda de otras personas para levantarlo.



⚠️ ADVERTENCIA: RIESGOS POR RUIDO

¿QUÉ PUEDE SUCEDER?

- En determinadas condiciones y según el período de uso, el ruido provocado por este producto puede originar pérdida de audición.

CÓMO EVITARLO

- Utilice siempre equipo de seguridad certificado: protección auditiva ANSI S12.6 (S3.19).



⚠️ ADVERTENCIA: RIESGO DE LESIÓN O DAÑO A LA PROPIEDAD AL TRANSPORTAR O ALMACENAR LA UNIDAD

¿QUÉ PUEDE SUCEDER?

- Se puede producir una pérdida o derrame de aceite, lo que podría provocar peligro de incendio o inhalación, lesiones graves o la muerte. Los derrames de aceite dañarán alfombras, pintura u otras superficies de vehículos o remolques.

CÓMO EVITARLO

- Coloque siempre el compresor en un tapete protector cuando lo transporte, para proteger al vehículo de daños por pérdidas. Retire inmediatamente el compresor del vehículo una vez que haya llegado a destino. Mantenga siempre el compresor nivelado y nunca lo coloque de costado.

CONSERVE ESTAS INSTRUCCIONES PARA FUTURAS CONSULTAS

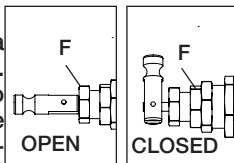
CARACTERÍSTICAS

VÁLVULA DE DESCARGA

Cuando se obtenga la presión máxima del tanque de aire, la válvula de descarga (H) se activará. Esto provocará que el compresor descargue el aire a la atmósfera y no al tanque. La válvula está calibrada desde fábrica y no se debe quitar ni modificar de ninguna forma.

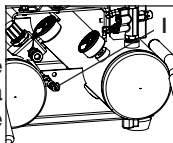
Bloqueo manual: El bloqueo manual le permite descargar manualmente el compresor con presión de aire en el tanque de aire. Para operar el bloqueo manual:

Gire la palanca de descarga de bloqueo manual a la posición de **abierta** para evitar la acumulación de presión en el tanque de aire. Gire la palanca de descarga de bloqueo manual a la posición de **cerrada** luego de encender el motor para permitir que se acumule presión en el tanque de aire. **NOTA:** El aire no se acumulará en el tanque cuando la palanca de descarga de bloqueo manual esté en la posición de abierta.



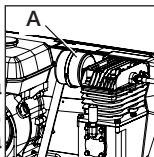
VÁLVULA DE SEGURIDAD

Esta válvula (I) está diseñada para prevenir fallas del sistema aliviando la presión cuando el aire comprimido alcanza un nivel predeterminado. La válvula está calibrada desde fábrica y no se debe quitar ni modificar de ninguna forma.



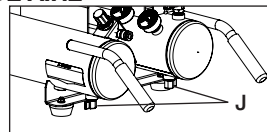
FILTRO DE ENTRADA DE AIRE

El filtro (A) está diseñado para limpiar el aire que ingresa a la bomba. Para asegurar que la bomba reciba continuamente un suministro de aire limpio, fresco y seco, el filtro debe estar siempre limpio y la entrada del filtro libre de obstrucciones.



VÁLVULA DE DRENAJE DEL TANQUE DE AIRE

La válvula de drenaje (J) se utiliza para eliminar la humedad del tanque de aire luego de apagar el motor.



MANÓMETRO DEL TANQUE DE AIRE

El manómetro del tanque de aire (D) indica la presión de aire dentro del tanque de aire.

MANÓMETRO REGULADO

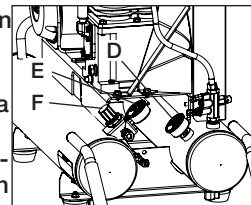
El manómetro regulado (E) indica la presión de aire disponible en la salida del regulador. Esta presión la controla el regulador y es siempre menor que, o igual a, la presión del tanque de aire.

REGULADOR

La perilla del regulador (F) controla la presión de aire proveniente del tanque de aire.

Ajuste del regulador:

1. Tire la perilla del regulador (F) hacia afuera.
2. Gire la perilla en sentido de las agujas del reloj para aumentar la presión regulada y en sentido contrario a las agujas del reloj para disminuirla.
3. Cuando la presión deseada aparezca en el manómetro regulado, empuje la perilla hacia adentro para bloquearla.



⚠ADVERTENCIA: Riesgo de explosión. Demasiada presión de aire produce peligro de estallido. Controle el valor nominal máximo de presión del fabricante para las herramientas y los accesorios neumáticos. La presión de salida del regulador nunca debe exceder el valor máximo de presión.

CONTROL DE GASES

Cuando se alcanza la presión máxima del tanque de aire y la

válvula de descarga ventila aire, se activa el control de gases en el motor. Esta característica de ahorro de gas mantiene el motor en una marcha en vacío fijada en fábrica hasta que la presión de aire del tanque baja a la presión de reajuste. La válvula de descarga reactiva luego el control de gases y acelera el motor a plena marcha.

SENSORES DE APAGADO AUTOMÁTICO DEBIDO A BAJO NIVEL DE ACEITE

El motor a del compresor de aire están equipados con sensores de apagado automático debido a bajo nivel de aceite. Estos son dispositivos de seguridad diseñados para proteger al motor de daños en el caso que el nivel de aceite de la carcaza esté por debajo del mínimo.

Si el aceite el motor baja mientras el compresor de aire está en funcionamiento, el motor se apagará automáticamente y no se encenderá nuevamente hasta que se agregue aceite al motor. Si el nivel de aceite es bajo antes del encendido, el motor no arrancará hasta que no se agregue aceite.

NOTA: Los sensores de apagado automático debido a bajo nivel de aceite son muy sensibles. Debe llenar el motor hasta la marca de “completo” en la varilla de medición del nivel de aceite para desactivar este dispositivo de seguridad.

INSTALACIÓN

Ensamblaje (Fig. 1)

INSTALACIÓN DE LAS MANGUERAS

⚠ADVERTENCIA: *Riesgo de operación insegura. Sostenga la manguera firmemente con las manos al instalarla o desconectarla para evitar la desconexión repentina de la manguera.*

1. Asegúrese de que el manómetro regulado marque 0 psi.
2. Coloque cinta selladora en las roscas de la manguera.

3. Ensamble la manguera a la salida de aire (G).

AVISO: No ensamble los separadores directamente a la salida de aire (G).

NOTA: Ensamblar conectores rápidos a las salidas de aire (G) y enchufes de conexión rápida a los extremos de la manguera hace que la conexión y la desconexión de las mangueras sea más simple y fácil. Los conectores rápidos y los enchufes de conexión rápida se pueden comprar en un comercio minorista o en un centro de mantenimiento autorizado.

DESCONEXIÓN DE LAS MANGUERAS

⚠ADVERTENCIA: *Riesgo de operación insegura. Sostenga la manguera firmemente con las manos al instalarla o desconectarla para evitar la desconexión repentina de la manguera.*

1. Asegúrese de que el manómetro regulado marque 0 psi.
2. Retire la manguera de la(s) salida de aire (G).

Lubricación y aceite

MOTOR

1. El motor se llenó **CON** aceite en la fábrica. Controle el nivel de aceite del motor antes de operar la unidad. De ser necesario, llene el motor hasta el nivel adecuado con el aceite recomendado, consulte el procedimiento correcto en el manual de instrucciones del motor provisto por el fabricante.
2. Agregue combustible al motor. Consulte el procedimiento correcto en el manual de instrucciones del motor provisto por el fabricante.

⚠ADVERTENCIA: *Riesgo de explosión o incendio. El vapor de la gasolina es altamente inflamable. Cargue el combustible preferentemente en el exterior o solamente en áreas bien ventiladas. No cargue combustible ni controle el nivel de gasolina mientras el motor esté funcionando. No almacene, derrame ni use gasolina cerca de llamas, donde se generen chispas (como*

en soldaduras) o cerca de equipos eléctricos en funcionamiento.

COMPRESOR DE AIRE

La bomba del compresor de aire se llenó **CON** aceite en la fábrica. Controle el nivel de aceite de la bomba del compresor de aire antes de operar la unidad. Consulte **Aceite de la bomba del compresor** en la sección *Mantenimiento*.

Compatibilidad

Las herramientas neumáticas y los accesorios que funcionan con el compresor deben ser compatibles con productos a base de petróleo. Si sospecha que un material no es compatible con productos del petróleo se requiere un filtro de línea de aire que elimine la humedad y el vapor de aceite en el aire comprimido.

AVISO: Utilice siempre un filtro de línea de aire para eliminar la humedad y el vapor de aceite al pulverizar pintura.

Lugar

⚠PELIGRO: *Riesgo respiratorio. El escape del motor de gasolina contiene monóxido de carbono, un gas inodoro, tóxico y fatal. Opere el motor solamente en áreas bien ventiladas.*

AVISO: *Riesgo de daño a la propiedad. Para evitar daños en el compresor de aire, no permita que la unidad se incline más de 10° cuando esté en funcionamiento.*

Coloque el compresor de aire a una distancia de al menos 1,2 m (4 pies) de los obstáculos que puedan impedir una ventilación adecuada. Mantenga la unidad alejada de áreas que tengan suciedad, vapor y humo volátil en la atmósfera y que puedan atascar y retener el filtro de entrada y las válvulas, provocando un funcionamiento ineficiente.

ÁREAS HÚMEDAS

En áreas frecuentemente húmedas, se puede formar humedad

en la bomba y sedimentos en el aceite, provocando que las piezas se desgasten en forma prematura. Es muy probable que se produzca humedad excesiva si la unidad se ubica en un área sin calefacción, sujeta a grandes cambios de temperatura. Dos signos de humedad excesiva son la condensación externa en la bomba cuando se enfría y un aspecto “lechoso” del aceite del compresor. Puede prevenir la formación de humedad en la bomba aumentando la ventilación u operando la unidad durante intervalos más largos.

CONSIDERACIONES SOBRE EL RUIDO

Consulte a las autoridades locales sobre los niveles de ruido aceptables en su zona. Para disminuir el ruido excesivo, utilice soportes antivibratorios o silenciadores, reubique la unidad o tabiques divisorios. Póngase en contacto con un centro de mantenimiento DeWALT o llame al 1-888-895-4549 para obtener ayuda.

TRANSPORTE

⚠ADVERTENCIA: *Riesgo de lesión por levantar mucho peso. La unidad pesa más de 76,2 kg (168libras). No la mueva ni levante sin ayuda.*

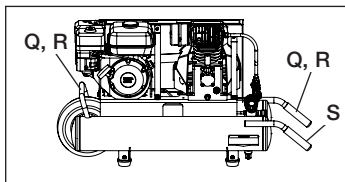
AVISO: *Riesgo de daño a la propiedad. Las ruedas y la agarradera no brindan espacio, estabilidad ni apoyo adecuados para subir o bajar la unidad por escaleras o escalones. La unidad se debe levantar, o empujar, sobre una rampa.*

AVISO: *Riesgo de daño a la propiedad. Coloque la palanca de la válvula de combustible (O) en la posición de APAGADO (OFF) antes de mover o transportar la unidad.*

Al transportar el compresor en un vehículo, remolque, etc., asegúrese de que el tanque de aire esté drenado y que la unidad se sujete y coloque en un tapete protector sobre una superficie

horizontal y plana. **NO** transporte en una posición derecha.

NOTA: Utilice los anclajes recomendados (Q) al transportar la unidad. Maneje con cuidado para evitar que la unidad se incline en el vehículo. La unidad o los elementos circundantes se pueden dañar si la unidad se inclina. Utilice una rampa para cargar o descargar la unidad desde una altura superior a 30,5 cm (12 pulg.).



LEVANTAR LA UNIDAD

Siempre levante desde el recomendados los puntos levante (R).

⚠ADVERTENCIA: Riesgo de lesión por levantar mucho peso. La unidad pesa más de 76,2 kg (168 libras). No la mueva ni levante sin ayuda.

AVISO: Riesgo de daño a la propiedad. Coloque la palanca de la válvula de combustible (O) en la posición de APAGADO (OFF) antes de mover o transportar la unidad.

TRASLADAR LA UNIDAD

1. Tome la agarradera (S) del compresor y levántelo lo suficiente para que la unidad se pueda arrastrar sobre los neumáticos frontales.

⚠ADVERTENCIA: Riesgo de operación insegura. Asegure el punto de apoyo adecuado y tenga precaución al desplazar el compresor de manera que la unidad no se incline ni pierda el equilibrio.

AVISO: Riesgo de daño a la propiedad. Coloque la palanca de la válvula de combustible (O) en la posición de APAGADO (OFF) antes de mover o transportar la unidad.

2. Cuando llegue al lugar deseado, baje lentamente la parte

posterior del compresor hacia el piso. **NO** almacene en una posición derecha.

NOTA: Si la unidad se inclina, se producirá un arranque con dificultad y humo debido al derrame de aceite.

PREPARACIÓN PARA EL USO

Lista de control previa a la puesta en marcha (Fig. 1)

1. Asegúrese de que el interruptor de ENCENDIDO/APAGADO (C) esté en la posición de APAGADO.
2. Asegúrese de que el tanque de aire se haya drenado, consulte **Drenar el tanque de aire en la sección Mantenimiento.**
3. Asegúrese de que la válvula de drenaje (J) esté cerrada.
4. Asegúrese de que la válvula de seguridad (I) funcione correctamente, consulte **Controlar la válvula de seguridad en la sección Mantenimiento.**
5. Controle el nivel de aceite de la bomba, consulte **Aceite de la bomba del compresor en la sección Mantenimiento.**

AVISO: No opere la unidad sin aceite o con aceite inadecuado. **DEWALT no se responsabiliza por las fallas del compresor provocadas por el uso de aceite inadecuado.**

6. Controle el nivel de combustible y aceite del motor, consulte los procedimientos correctos en el manual de instrucciones del motor.
7. Inspeccione visualmente la correa impulsora. Reemplace la correa si está deshilachada, rajada o gastada. **NOTA:** Se debe retirar la cubierta exterior de la correa para inspeccionar la correa impulsora.
8. Asegúrese de que todos los protectores, cubiertas y etiquetas estén en su lugar, sean legibles (en el caso de las etiquetas) y estén montados en forma segura. No utilice el compresor

hasta que no haya verificado todos los puntos.

Configuración inicial (Fig. 1)

⚠ADVERTENCIA: No opere esta unidad hasta que haya leído y comprendido este manual de instrucciones y el del motor y las instrucciones de seguridad, operación y mantenimiento.

PROCEDIMIENTO DE PUESTA EN MARCHA INICIAL

AVISO: Riesgo de daño a la propiedad. No seguir cuidadosamente las siguientes instrucciones de puesta en marcha inicial puede provocar daños graves.

Se requiere este procedimiento:

- Antes de utilizar el compresor de aire por primera vez.
- Cuando se ha reemplazado la válvula de descarga.
- Cuando se ha reemplazado la bomba del compresor.

El procedimiento:

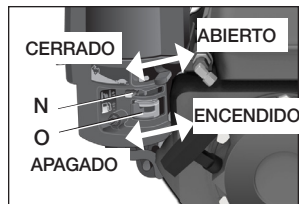
1. Siga la Lista de control previa a la puesta en marcha de la sección *Preparación para el uso*.
2. Gire la palanca de descarga de bloqueo manual a la posición de abierta para evitar la acumulación de presión en el tanque de aire.
3. Abra el regulador de presión. Tire la perilla del regulador (F) hacia afuera y gírela en sentido de las agujas del reloj hasta que se detenga.

⚠ADVERTENCIA: No opere esta unidad hasta que haya leído y comprendido el manual de instrucciones de seguridad, operación y mantenimiento del motor.

4. Prepare el motor para utilizarlo por primera vez, consulte el procedimiento correcto en el manual de instrucciones del motor.
5. Ponga el interruptor de ENCENDIDO/APAGADO (C) del motor en la posición de ENCENDIDO.

6. Coloque la palanca de la válvula de combustible (O) en la posición de ENCENDIDO (ON).

7. Si el motor está frío, mueva el estrangulador (N) a la posición de CERRADO, como se muestra. Si el motor está caliente, mueva el estrangulador a la posición de ABIERTO.



⚠ADVERTENCIA: Riesgo de operación insegura. Tire de la agarradera de arranque lentamente hasta sentir cierta resistencia. Luego, tire de la agarradera de arranque (P) rápidamente para evitar el retroceso y que se produzcan lesiones en las manos o los brazos.

AVISO: No permita que la agarradera de arranque vuelva a su posición. Lentamente, colóquela nuevamente en posición en forma manual.

NOTA: Si el motor no arranca, controle el nivel de aceite y agregue aceite según sea necesario.

NOTA: Para asegurar una lubricación máxima de aceite, coloque la unidad en una superficie nivelada.

8. A medida que el motor se caliente, mueva el estrangulador hacia la POSICIÓN DE abierto.
9. Haga funcionar el compresor de aire durante **30 minutos** para asentar los anillos y lubricar todas las superficies internas. Asegúrese de que no haya acumulación de presión en el tanque de aire tomando la lectura del manómetro.
10. Gire el bloqueo manual de la válvula de descarga hacia la posición de cerrado para que se acumule presión en el tanque de aire.

11. Cierre el regulador de presión. Gire la perilla del regulador (F) en sentido contrario a las agujas del reloj hasta su tope incorporado y empuje la perilla hacia adentro para bloquearla. Esto permitirá que el aire haga presión en el tanque de aire.
12. Habrá aire comprimido disponible en la salida de aire de la manguera hasta que se utilice o descargue.

PROCEDIMIENTOS OPERATIVOS

Puesta en marcha (Fig. 1)

1. Siga la Lista de control previa a la puesta en marcha de la sección *Preparación para el uso*.
2. Tire la perilla del regulador (F) hacia afuera y gírela en sentido contrario a las agujas del reloj hasta que se cierre completamente. Empújela hacia adentro para bloquearla. El manómetro regulado debe marcar 0 psi.
3. Gire la palanca de descarga de bloqueo manual a la posición **de abierta** para ayudar a la puesta en marcha.
4. Ponga el interruptor de ENCENDIDO/APAGADO (C) del motor en la posición de ENCENDIDO.
5. Coloque la palanca de la válvula de combustible (O) en la posición de ENCENDIDO (ON).
6. Si el motor está frío, mueva el estrangulador (N) a la posición de CERRADO, como se muestra. Si el motor está caliente, mueva el estrangulador a la posición de Abierto.

⚠ADVERTENCIA: *Riesgo de operación insegura. Tire de la agarradera de arranque lentamente hasta sentir cierta resistencia. Luego, tire de la agarradera de arranque (P) rápidamente para evitar el retroceso y que se produzcan lesiones en las manos o los brazos.*

AVISO: No permita que la agarradera de arranque vuelva a su posición. Lentamente, colóquela nuevamente en posición en forma manual.

NOTA: Si el motor no arranca, controle el nivel de aceite y agregue aceite según sea necesario.

NOTA: Para asegurar una lubricación máxima de aceite, coloque la unidad en una superficie nivelada.

7. A medida que el motor se caliente, mueva el estrangulador hacia la POSICIÓN DE abierto.
8. Gire la palanca de descarga de bloqueo manual a la posición **de cerrada** para permitir que se acumule presión en el tanque de aire. **NOTA:** La bomba no funcionará con la palanca de descarga de bloqueo manual en la **posición** de abierta.
9. Permita que el compresor bombee para **descargar** la presión.

⚠ADVERTENCIA: Si observa algún ruido o vibración inusuales, apague el compresor y consulte la sección de detección de problemas.

NOTA: La bomba del compresor de aire puede funcionar en forma continua. Para prolongar la vida útil del compresor de aire, se recomienda operar la unidad a alta velocidad entre el 50 y el 75% del tiempo de funcionamiento, y operarla en marcha en espera el 25% del tiempo de funcionamiento.

10. Conecte la manguera y los accesorios.

⚠ADVERTENCIA: *Riesgo de operación insegura. Sostenga la manguera firmemente con las manos al instalarla o desconectarla para evitar la desconexión repentina de la manguera.*

⚠ADVERTENCIA: *Riesgo de operación insegura. No utilice los accesorios dañados o usados.*

AVISO: *Daños a la propiedad. El aire comprimido de la unidad puede contener condensación de agua y emanación de*

aceite. No pulverice aire no filtrado sobre un artículo que podría dañarse con la humedad. Algunos dispositivos o herramientas neumáticas pueden requerir aire filtrado. Lea las instrucciones del dispositivo o la herramienta neumática.

11. Ajuste el regulador (F) en la configuración deseada. Consulte el punto **Regulador** en la sección *Características*.

Apagado

1. Coloque el interruptor de ENCENDIDO/APAGADO (ON/OFF) del motor (C) en la posición de APAGADO (OFF).

2. Coloque la palanca de la válvula de combustible (O) en la posición de APAGADO (OFF).

NOTA: Si terminó de utilizar el compresor, siga los pasos 3 a 7.

3. Gire la perilla del regulador (F) en sentido contrario a las agujas del reloj hasta que esté completamente cerrada. Asegúrese de que el manómetro regulado marque 0 psi.

4. Retire la manguera y los accesorios.

5. Drene el tanque de aire. Consulte **Drenar el tanque de aire en la sección Mantenimiento**

AVISO: Riesgo de daño a la propiedad. Coloque la palanca de la válvula de combustible (O) en la posición de APAGADO (OFF) antes de mover o transportar la unidad.

⚠ADVERTENCIA: Riesgo de explosión. Drene el tanque de aire diariamente. El agua se condensará en el tanque de aire. Si no se drena, el agua corroerá y debilitará el tanque de aire provocando el riesgo de rotura del mismo.

6. Deje enfriar el compresor.

7. Limpie el compresor de aire y guárdelo en un área segura, que no se congele.

MANTENIMIENTO

⚠ADVERTENCIA: Se deben seguir los siguientes procedimien-

tos cuando se realicen tareas de mantenimiento o servicio en el compresor de aire.

1. Asegúrese de que el interruptor de ENCENDIDO/APAGADO (C) esté en la posición de APAGADO.

2. Desconecte el cable de la bujía.

3. Drene el tanque de aire.

4. Deje enfriar el compresor de aire antes de comenzar las tareas de mantenimiento.

NOTA: Todos los sistemas de aire comprimido contienen piezas de mantenimiento (por ejemplo, aceite, filtros, separadores) que se reemplazan periódicamente. Estas piezas usadas pueden contener sustancias reguladas y se deben desechar conforme a las leyes y reglamentaciones locales, estatales y federales.

NOTA: Tome nota de las posiciones y ubicaciones de las piezas durante el desarmado para facilitar el reensamblaje.

NOTA: Cualquier tarea de mantenimiento no incluida en esta sección debe ser realizada por un centro de servicio de fábrica DEWALT o un centro de servicio autorizado DEWALT.

Tabla de mantenimiento

Procedimiento	Diariamente	Semanalmente	Mensual o cada 50 horas	1 vez al año o cada 200 horas	Remítase a la etiqueta de advertencia del tanque
Controlar la válvula de seguridad	X				
Inspeccionar el filtro de aire		X ⁺			
Drenar el tanque de aire	X				

Procedimiento	Diariamente	Semanalmente	Mensual o cada 50 horas	1 vez al año o cada 200 horas	Remítase a la etiqueta de advertencia del tanque
Controlar el nivel de aceite de la bomba	X				
Cambiar el aceite de la bomba				X ⁺⁺⁺	
Inspeccionar si hay pérdidas de aceite	X				
Inspeccionar la correa impulsora	X				
Controlar la tensión de la correa impulsora			X		
Controlar la alineación de la polea y el volante				X	
Controlar ruidos o vibraciones inusuales	X				
Verificar si hay pérdidas de aire	X*				
Limpiar el exterior del compresor		X			
El tanque debe ser dado de baja					X ⁺⁺
Motor	Consultar el manual de instrucciones del motor.				
* Para verificar si hay pérdidas de aire aplique una solución de agua jabonosa alrededor de las juntas. Mientras el compresor bombea para generar presión y luego de que la presión se corte, vea si se forman burbujas de aire.					

** El aceite de la bomba se debe cambiar luego de las primeras 20 horas de funcionamiento. De allí en adelante, cuando utilice aceite completamente sintético y sin detergente para compresor de aire, cambie el aceite cada 200 horas de funcionamiento o una vez al año, lo que ocurra primero.

+ Más frecuente en lugares con humedad o polvo

++ Para mayor información, llame al 1-888-895-4549

Controlar la válvula de seguridad (Fig. 1)

⚠ADVERTENCIA: Superficies calientes. Riesgo de quemaduras. El posenfriador, el cabezal de la bomba y las piezas circundantes están muy calientes, no los toque (vea las Superficies calientes identificadas en la Fig. 2). Espere hasta que el compresor se enfríe antes de realizar el mantenimiento.

⚠ADVERTENCIA: Riesgo de explosión. Si la válvula de seguridad no trabaja correctamente, puede haber sobrepresurización, provocando la rotura del tanque de aire o una explosión.

⚠ADVERTENCIA: Riesgo de objetos despedidos. Utilice siempre equipo de seguridad certificado: anteojos de seguridad ANSI Z87.1 (CAN/CSA Z94.3) con protección lateral al usar el compresor.

Antes de arrancar el compresor, tire del anillo de la válvula de seguridad para asegurarse de que la válvula de seguridad trabaja libremente. Si la válvula está atascada o no opera con facilidad, se la debe reemplazar con el mismo tipo de válvula.

Controlar el elemento del filtro de aire

⚠ADVERTENCIA: Superficies calientes. Riesgo de quemaduras. El posenfriador, el cabezal de la bomba y las piezas circundantes están muy calientes, no los toque (vea las Superficies calientes identificadas en la Fig. 2). Espere hasta que el compresor se

enfríe antes de realizar el mantenimiento.

1. Asegúrese de que el interruptor de ENCENDIDO/APAGADO (C) esté en la posición de APAGADO.
2. Espere que la unidad se enfríe.
3. Desenrosque la parte superior del filtro (A) de la base girando aproximadamente 5 grados en sentido contrario a las agujas del reloj.
4. Separe la parte superior del filtro de la base.
5. Retire el elemento de la base del filtro.
6. Si el elemento requiere limpieza, sople con aire. Reemplácelo si es necesario. Compre las piezas de repuesto en un comercio minorista o en un centro de mantenimiento autorizado. Utilice siempre piezas de repuesto idénticas.
7. Coloque el elemento nuevamente en la base del filtro.
8. Vuelva a conectar la parte superior del filtro a la base. Mientras empuja, gire 5 grados en sentido de las agujas del reloj.

AVISO: Riesgo de operación insegura. No opere la unidad sin el filtro de entrada de aire.

Drenar el tanque de aire (Fig. 1)

⚠ADVERTENCIA: Riesgo de operación insegura. Riesgo por ruidos. Los tanques de aire contienen aire de alta presión. Mantenga la cara y otras partes del cuerpo lejos de la salida del drenaje. Utilice anteojos de seguridad [ANSI Z87.1 (CAN/CSA Z94.3)], ya que al drenar se pueden desprender residuos hacia la cara.

⚠ADVERTENCIA: Riesgo por ruidos. Utilice protección auditiva [ANSI S12.6(S3.19)], ya que el ruido del flujo de aire es alto durante el drenaje.

NOTA: Todos los sistemas de aire comprimido generan condensación que se acumula en cualquier punto de drenaje

(por ejemplo, tanques, filtro, posenfriadores, secadores). Esta condensación contiene aceite lubricante y/o sustancias que pueden estar reguladas y que se deben desechar conforme a las leyes y reglamentaciones locales, estatales y federales.

1. Asegúrese de que el interruptor de ENCENDIDO/APAGADO (C) esté en la posición de APAGADO.
2. Coloque un recipiente adecuado debajo de la válvula de drenaje para recoger la descarga.
3. Tome la palanca negra de la válvula de drenaje.

⚠ADVERTENCIA: Riesgo de explosión. Drene el tanque de aire diariamente. El agua se condensará en el tanque de aire. Si no se drena, el agua corroerá y debilitará al tanque de aire provocando el riesgo de rotura del mismo.

AVISO: Riesgo de daño a la propiedad. Drene el agua del tanque de aire puede contener aceite y óxido, lo que puede provocar manchas.

4. Gire lentamente la palanca para descargar aire del tanque de aire en forma gradual.
5. Cuando el manómetro del tanque de aire marque 10 psi, gire la válvula hasta la posición de completamente abierta.
6. Cierre la válvula de drenaje cuando termine.

Aceite de la bomba del compresor (referirse a la Fig. 4)

⚠ADVERTENCIA: Riesgo de quemaduras. Superficies calientes. El cabezal de la bomba y las piezas circundantes están muy calientes, no los toque (vea las Superficies calientes identificadas en la Fig. 2). Espere hasta que el compresor se enfríe antes de realizar el mantenimiento.

AVISO: Riesgo de daño a la propiedad. Sólo utilice aceite específico para compresores de aire. Los aceites para automóviles de diversos pesos como 10W30 no deben utilizarse para los compresores de aire. Dejan depósitos de carbono en componentes críticos, disminuyendo de esa forma el rendimiento y la vida útil del compresor life.

NOTA: Utilice aceite para compresores de aire de mezcla sintética sin detergentes.

NOTA: La capacidad de aceite del cárter del cigüeñal es de aproximadamente 16 onzas fluidas (,47 litros).

Verificación

1. Asegúrese de que el interruptor de START (encendido)/ RUN (en funcionamiento)/ OFF (apagado) (C) esté en la posición de OFF (apagado).
2. El nivel de aceite deberá llegar a la mitad del visor de vidrio (V).
3. En caso de necesidad quite el tapón de llenado de aceite (K) y agregue lentamente aceite hasta alcanzar la mitad del visor de vidrio.

Cambio

⚠ADVERTENCIA: Riesgo de quemaduras. Superficies calientes. El cabezal de la bomba y las piezas circundantes están muy cali-

entes, no los toque (vea las Superficies calientes identificadas en la Fig. 2). Espere hasta que el compresor se enfríe antes de realizar el mantenimiento.

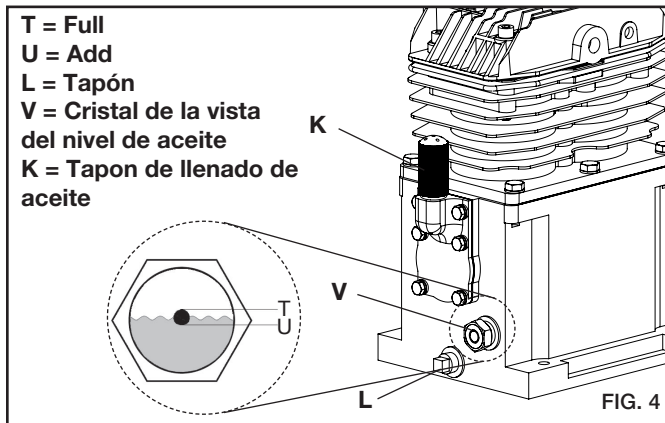
⚠ADVERTENCIA: Drene el tanque a fin de liberar la presión de aire antes de extraer la tapa para el relleno de aceite, o el tapón para drenaje del aceite.

1. Asegúrese de que el interruptor de START (encendido)/ RUN (en funcionamiento)/ OFF (apagado) (C) esté en la posición de OFF (apagado).
2. Espere que la unidad se enfríe.
3. Desconecte el cable de la bujía.
4. Drene el tanque de aire.
5. Extraiga el tapón del aceite (K).
6. Extraiga del tapón de drenaje del aceite (L) y drene el aceite en un recipiente adecuado.
7. Reponga el tapón de drenaje del aceite (L) y ajústelo firmemente.
8. Agregue aceite lentamente al compresor hasta que el nivel alcance la mitad del visor de vidrio (V). **NOTA:** Al llenar el cárter del cigüeñal, el aceite fluye muy lentamente dentro de la bomba. Si el aceite fuese agregado rápidamente rebalsará y aparentará haberse llenado.

AVISO: Riesgo de daño a la propiedad. Sobrepasar el nivel de aceite causará la falla prematura del compresor. No exceda su llenado.

9. Reponga el tapón del aceite (K) y ajústelo firmemente.
10. Vuelva a conectar el cable de la bujía.

NOTA: El aceite de la bomba contiene sustancias reguladas y se debe desechar conforme a las leyes y reglamentaciones locales, estatales y federales.



Controlar la tensión de la correa (Fig. 1)

⚠ADVERTENCIA: Superficies calientes. Riesgo de quemaduras. El posenfriador, el cabezal de la bomba y las piezas circundantes están muy calientes, no los toque (vea las Superficies calientes identificadas en la Fig. 2). Espere hasta que el compresor se enfríe antes de realizar el mantenimiento.

1. Asegúrese de que el interruptor de ENCENDIDO/APAGADO (C) esté en la posición de "APAGADO".
2. Espere que la unidad se enfríe.
3. Desconecte el cable de la bujía.
4. Drene el tanque de aire.
5. Retire la cubierta exterior de la correa.
6. Mida la tensión de la correa. La tensión correcta se logra cuando se aplica un peso de 1,36 kg (3 libras) o una presión

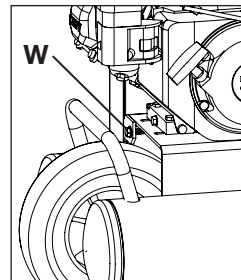
equivalente con los dedos a mitad de camino entre la polea del motor y el volante del compresor y provoca una desviación de la correa de 6,35 mm (1/4 pulg.); si se requieren ajustes, consulte "Ajustar la tensión de la correa" en la sección Mantenimiento.

7. Reemplazar protector de la correa.
8. Vuelva a conectar el cable de la bujía.

Ajustar la tensión de la correa

⚠ADVERTENCIA: Superficies calientes. Riesgo de quemaduras. El posenfriador, el cabezal de la bomba y las piezas circundantes están muy calientes, no los toque (vea las Superficies calientes identificadas en la Fig. 2). Espere hasta que el compresor se enfríe antes de realizar el mantenimiento.

1. Siga los pasos 1 a 6 en **Controlar la tensión de la correa** en la sección **Mantenimiento**.
2. Escriba una marca en la base del motor en la cubierta que se utilizará como referencia
3. Afloje pero no retire las cuatro tuercas de montaje del motor.
4. Afloje pero no retire el perno que ajusta el soporte de refuerzo al motor.
5. Mueva el motor hasta la nueva marca girando el perno tensor de la correa (W) en el sentido de las agujas del reloj hasta que el motor se haya movido a la posición deseada.



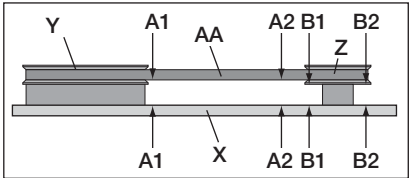
⚠ADVERTENCIA: Riesgo por piezas móviles. Sea precavido cuando haga avanzar la correa sobre el volante, ya que los dedos podrían quedar atrapados entre ambas partes.

6. Controle nuevamente la tensión de la correa. Vea el paso 6 de **Controlar la tensión de la correa** en la sección **Mantenimiento**.

7. Cuando la tensión es correcta par, cuatro tuercas de montaje del motor (par motor a 10-20 ft.-lbs./13.5-27.1 Nm), el perno de soporte de refuerzo (de par a 10-20 ft.-lbs./13.5-27.1 Nm).
8. Reemplazar protector de la correa.
9. Vuelva a conectar el cable de la bujía.

Alineación de la correa y el volante

El volante del compresor de aire y la polea del motor deben estar alineados (en el mismo plano) dentro de una distancia de 1,6 mm (1/16 pulg.) para asegurar la retención de la correa dentro de las ranuras del volante. Para controlar la alineación:

1. Asegúrese de que el interruptor de ENCENDIDO/APAGADO (C) esté en la posición de APAGADO.
 2. Espere que la unidad se enfríe.
 3. Desconecte el cable de la bujía.
 4. Drene el tanque de aire.
 5. Retire la cubierta exterior de la correa.
 6. Coloque una regla (X) contra el exterior del volante (Y) y la polea del motor (Z).
- 
- El diagrama muestra una sección transversal de la correa y el volante. Una regla (X) se coloca contra el volante (Y) y la polea del motor (Z). Se indican las mediciones A1, AA, A2, B1 y B2.
7. Mida la distancia entre el borde de la correa (AA) y la regla en los puntos A1 y A2 de la Figura. La diferencia entre las medidas no debe ser mayor a 1,6 mm (1/16 pulg.).
 8. Si la diferencia es mayor a 1,6 mm (1/16 pulg.), afloje el tornillo que fija la polea del motor al eje y ajuste la posición de la polea en el eje hasta que las medidas A1 y A2 estén a una distancia de 1,6 mm (1/16 pulg.) una de la otra.
 9. Ajuste el tornillo de la polea del motor entre 16,4–20,3 Nm (145 y 180 libras-pulgadas).
 10. Inspeccione visualmente la polea del motor para verificar que

esté perpendicular al eje del motor. Los puntos B1 y B2 de la Figura deben parecer iguales. De no ser así, afloje el tornillo de la polea del motor y ecualice los puntos B1 y B2, tomando la precaución de no afectar la alineación de la correa realizada en el paso 8.

11. Vuelva a ajustar el tornillo de la polea del motor entre 16,4–20,3 Nm (145 y 180 libras-pulgadas).
12. Vuelva a instalar la cubierta de la correa.
13. Vuelva a conectar el cable de la bujía.

Válvulas de entrada y salida de la bomba del compresor de aire

Una vez al año haga que un técnico capacitado de servicio inspeccione las válvulas de entrada y salida de la bomba del compresor de aire.

Inspección de las cañerías de aire y las conexiones para detectar fugas

1. Asegúrese de que el interruptor de START (encendido)/ RUN (en funcionamiento)/ OFF (apagado) (C) esté en la posición de OFF (apagado).
2. Espere que la unidad se enfríe.
3. Desconecte el cable de la bujía.
4. Aplique una solución jabonosa a todos los acoplamientos de aire y las conexiones / cañerías.
5. Corrija cualquier pérdida encontrada.
6. Vuelva a conectar el cable de la bujía.

IMPORTANTE: Incluso pérdidas menores, pueden causar una carga adicional de trabajo al compresor, dando como resultado su rotura prematura o una desempeño inadecuada.

Tornillos del cabezal del compresor de aire. - Torque

Los tornillos del cabezal del compresor de aire deben mantenerse debidamente ajustados. Verifique el torque de los tornillos del cabezal luego de las primeras cinco horas de operación. Reajústelos si fuese necesario. Torsión a 43,4-50,2 Nm (32-37 ft.-lbs.).

Service d'entretien additionnel

Le démontage ou un entretien du compresseur d'air au-delà de ce qui est indiqué dans ce guide ne sont pas recommandés. Si un entretien plus poussé est requis, communiquez avec le Centre de service sous garantie autorisé le plus proche.

ACCESORIOS

Los accesorios que se recomiendan para la herramienta están disponibles para la compra en su distribuidor local o en el centro de mantenimiento autorizado. Si necesita ayuda para localizar algún accesorio para su herramienta, comuníquese con DEWALT Industrial Tool Co., 213 Industrial Drive, Jackson, TN 38301, llame al 1-888-895-4549 o visite nuestro sitio Web: www.dewalt.com.

⚠️ ADVERTENCIA: El uso de accesorios no recomendados para utilizar con esta herramienta puede resultar peligroso. Use solamente accesorios con una capacidad nominal igual o superior a la de la compresor de aire.

INFORMACIÓN DEL SERVICIO TÉCNICO

Tenga a mano la siguiente información cuando llame al mantenimiento:

Número del modelo _____ Número de serie _____

Fecha y lugar de compra _____

Reparaciones

Para asegurar la SEGURIDAD y la CONFIABILIDAD del producto, las reparaciones, el mantenimiento y los ajustes deben ser realizados por un centro de servicio de fábrica DEWalt, un centro de servicio autorizado DEWALT u otro personal de mantenimiento calificado. Utilice siempre piezas de repuesto idénticas.

Póliza de Garantía

IDENTIFICACIÓN DEL PRODUCTO:

Sello o firma del Distribuidor.

Nombre del producto: _____ Mod./Cat.: _____

Marca: _____ Núm. de serie: _____

(Datos para ser llenados por el distribuidor)

Fecha de compra y/o entrega del producto: _____

Nombre y domicilio del distribuidor donde se adquirió el producto:

Este producto está garantizado por un año a partir de la fecha de entrega, contra cualquier defecto en su funcionamiento, así como en materiales y mano de obra empleados para su fabricación. Nuestra garantía incluye la reparación o reposición del producto y/o componentes sin cargo alguno para el cliente, incluyendo mano de obra, así como los gastos de transportación razonablemente erogados derivados del cumplimiento de este certificado.

Para hacer efectiva esta garantía deberá presentar su herramienta y esta póliza sellada por el establecimiento comercial donde se adquirió el producto, de no contar con ésta, bastará la factura de compra.

EXCEPCIONES.

Esta garantía no será válida en los siguientes casos:

- Cuando el producto se hubiese utilizado en condiciones distintas a las normales;
- Cuando el producto no hubiese sido operado de acuerdo con el instructivo de uso que se acompaña;
- Cuando el producto hubiese sido alterado o reparado por personas distintas a las enlistadas al final de este certificado.

Anexo encontrará una relación de sucursales de servicio de fábrica, centros de servicio autorizados y franquiciados en la República Mexicana, donde podrá hacer efectiva su garantía y adquirir partes, refacciones y accesorios originales.

Garantía limitada

Las herramientas de **DEWALT Industrial Tools** cuentan con garantía desde la fecha de compra.

Garantía limitada de **2 AÑOS** en todos los compresores con lubricación de aceite

Garantía limitada de **1 AÑO** en todos los compresores sin aceite. Esta garantía no es transferible a los propietarios posteriores.

DEWALT reparará o cambiará, sin cargo, a discreción de DEWALT, cualquier defecto debido a material o mano de obra defectuosa. Para mayores detalles sobre la cobertura de garantía e información sobre reparaciones bajo garantía, llame al 1-(888)-895 4549 o visite dewalt.com. Esta garantía no es aplicable a accesorios o daños provocados por reparaciones realizadas o intentadas por terceros. Esta garantía tampoco aplica a mercancía vendida por DEWALT que ha sido fabricada por e identificada como el producto de otra compañía, como los motores a gasolina. En el caso, aplicará la garantía del fabricante, si existe. **CUALQUIER PÉRDIDA, DAÑO O GASTO QUE RESULTE INCIDENTAL O INDIRECTAMENTE, O COMO CONSECUENCIA DE ALGÚN DEFECTO, ALGUNA FALLA**

O AVERÍA DEL PRODUCTO NO ESTÁ CUBIERTO POR ESTA GARANTÍA. Algunos estados no permiten la exclusión de un límite por daños incidentales o derivados, por lo que el límite o la exclusión anterior puede no aplicar a su caso. **LAS GARANTÍAS IMPLÍCITAS, INCLUYENDO AQUELLAS DE COMERCIALIZACIÓN O ACONDICIONAMIENTO PARA UN FIN DETERMINADO, ESTÁN LIMITADAS A UN AÑO A CONTAR DE LA FECHA DE COMPRA ORIGINAL.** Algunos estados no permiten límites sobre el plazo de duración de una garantía implícita, por lo que el límite anterior puede no aplicar a su caso. Esta garantía le otorga derechos específicos, además de los cuales puede tener otros dependiendo del estado o provincia en que se encuentre.

Qué hará la compañía: (la compañía) cubrirá piezas y mano de obra para corregir defectos importantes en los materiales y en la fabricación durante el primer año de propiedad, con las excepciones que se indican más adelante. Las piezas que se utilizan en la reparación de productos completos o accesorios están garantizadas por el resto del periodo de garantía original.

¿Qué no cubre esta garantía? Si el comprador al menudeo original no instala, mantiene y opera dicho equipo de acuerdo con las prácticas industriales estándar. Las modificaciones al producto o alteraciones a los componentes, o el incumplimiento con las recomendaciones específicas de la Compañía que se establecen en el manual del propietario, anularán esta garantía. La Compañía no será responsable de reparaciones, reemplazos o ajustes al equipo, ni de costos de mano de obra realizada por el comprador sin la aprobación previa por escrito de la Compañía. Los efectos de la corrosión, erosión, condiciones ambientales circundantes, defectos cosméticos y elementos de mantenimiento de rutina, se excluyen específicamente de esta garantía. Los elementos de mantenimiento de rutina, como aceite, lubricantes y filtros de aire, así como los cambios de aceite, filtros de aire, tensión de bandas,

etc., son responsabilidad del propietario. Otras exclusiones incluyen: daños durante el flete, fallas originadas por negligencia, accidente o abuso, motores de inducción cuando es operado desde un generador, filtraciones de aceite, fugas de aire, consumo de aceite, acoples con fugas, mangueras, grifos, tubos de purga y tubos de transferencia.

- Los siguientes componentes se consideran artículos de desgaste por el uso normal y no están cubiertos después del primer año de posesión: Correas, roldanas, volantes, válvulas de retención, interruptores de presión, descargadores neumáticos, controles de aceleración, motores eléctricos, escobillas, reguladores, anillos en O, manómetros, tubos, tuberías, acoplamientos, sujetadores, ruedas, acopladores rápidos, empaquetaduras, sellos, carcasas de filtro de aire, anillos de pistón, varillas de conexión y sellos de pistón.
- Los costos de mano de obra, llamadas de servicio y viajes, no están cubiertos después del primer año de propiedad de los compresores estacionarios (compresores sin asas o ruedas). No están cubiertas las reparaciones que requieran horas extraordinarias, tarifas de fin de semana o cualquier otro costo que supere las tarifas por mano de obra estándar del taller.
- Tiempo requerido para la capacitación de orientación con el fin de que el centro de servicio obtenga acceso al producto, o tiempo adicional debido a un egreso inadecuado.
- El daño causado por voltaje incorrecto, cableado inapropiado o el hecho de no hacer que un electricista certificado con licencia instale el compresor, causará la anulación e invalidación de esta garantía.
- Daño causado por un mantenimiento inadecuado del

filtro.

- Desgaste de la bomba o daño en la válvula causado por el uso de aceite no especificado.
 - Desgaste de la bomba o daño causado por cualquier contaminación del aceite.
 - Desgaste de la bomba o daño en la válvula causado por el hecho de no seguir las directrices de mantenimiento apropiadas.
 - Utilización con un nivel de aceite por debajo del apropiado o utilización sin aceite.
 - Para motores a gas, si el producto está equipado con un motor a gas, consulte en el manual la cobertura de garantía del fabricante para el motor específico.
- Piezas que se compran por separado: las garantías de las piezas que se compran por separado, como bombas, motores, etc., son las siguientes:

A partir de la fecha de compra

- | | |
|---|---------|
| • Todas las bombas de una y dos etapas | 1 año |
| • Motores eléctricos | 90 días |
| • Bomba/motor universal | 30 días |
| • Todas las otras piezas | 30 días |
| • No se expedirá una autorización de devolución para los componentes eléctricos una vez que estén instalados. | |

¿Cómo puede obtener servicio? Con el fin de ser elegible para el servicio bajo esta garantía debe ser el comprador original, y proporcionar comprobante de compra de uno de los distribuidores de la empresa, distribuidores, o las tiendas minoristas de salida. Compresores de aire portátiles o componentes deben ser entregados o enviados, al Centro de Servicio Autorizado más cercano. Todos los costos de flete y los gastos asociados a viajes deben ser pagados por el consumidor. Por favor llame a nuestro número gratuito 1-888-895-4549 para

obtener ayuda.

ESTA GARANTÍA LE OTORGA DERECHOS LEGALES ESPECÍFICOS, Y ES POSIBLE QUE TAMBIÉN TENGA OTROS DERECHOS QUE VARIAN DE UN ESTADO A OTRO.

LA COMPAÑÍA NO HACE REPRESENTACIÓN O GARANTÍA ALGUNA, YA SEA EXPRESA O IMPLÍCITA, A EXCEPCIÓN DE LA DEL TÍTULO DE PROPIEDAD. POR LA PRESENTE, LA COMPAÑÍA NO ASUME NINGUNA GARANTÍA IMPLÍCITA, INCLUIDAS LAS GARANTÍAS DE COMERCIABILIDAD Y DE IDONEIDAD PARA UN PROPÓSITO ESPECÍFICO. SE EXCLUYE TODA RESPONSABILIDAD POR DAÑOS Y PERJUICIOS EMERGENTES O INCIDENTALES EN VIRTUD DE CUALQUIER OTRA GARANTÍA, OTROS CONTRATOS, NEGLIGENCIA U OTROS ACTOS DE AGRAVIO EN LA MEDIDA EN QUE LA LEY LO PERMITA.

REEMPLAZO GRATUITO DE LAS ETIQUETAS DE ADVERTENCIA: Si sus etiquetas de advertencia se tornan ilegibles o faltan, llame al 1-888-895-4549 para que se le reemplacen gratuitamente.

The image displays a comprehensive set of safety labels for a CFM fan. The labels are arranged in a grid-like fashion. At the top left is a large 'AVERTISSEMENT' (Warning) label in Spanish, detailing electrical safety and proper use. To its right is a corresponding 'ADVERTENCIA' (Warning) label in English. Below these are several 'DANGER' (Danger) labels, some with pictograms showing electrical shock and fire hazards. In the center is a diagram illustrating 'EVALUATION DEAU' (Water Evaluation) and 'DESAGUE DE AGUA' (Water Drainage), with arrows pointing to 'RISK OF BURSTING' and 'RISK OF EXPLOSION'. To the right of this diagram are several 'WARNING' (Warning) labels in English, covering electrical safety, fire, and explosion risks. At the bottom left are 'NOTICE' (Notice) labels in Spanish, and at the bottom right is a 'CHECK OIL LEVEL' label. The labels use various symbols, including lightning bolts, flames, and explosion icons, to convey safety information.

GLOSARIO

CFM: pies cúbicos por minuto.

SCFM: pies cúbicos estándar por minuto; unidad de medida de suministro de aire.

PSI: libras por pulgada cuadrada relativo a la presión atmosférica; unidad de medida de presión.

Certificación de código: Los productos que tienen una o más de las indicaciones siguientes: UL®*, CUL, ETL®*, CETL, han sido evaluados por los laboratorios de seguridad independientes certi-

ficados de OSHA y cumplen los estándares de seguridad de cuya aplicación corresponda.

* **UL®** es una marca registrada de **Underwriters Laboratories** y **ETL®** es una marca registrada de **Electrical Testing Laboratories**.

Código de California: la unidad puede cumplir con las secciones (I) (2)/(M) (2) del Código 462 de California. La etiqueta de especificaciones/modelo se encuentra en el costado del tanque de aire en las unidades que cumplen con el Código de California.

Presión de alivio de descarga: todos los modelos son unidades de funcionamiento continuo controladas por presión del tanque de aire. Cuando se obtenga la presión máxima del tanque de aire, la válvula de descarga se activará. Esto provocará que el compresor descargue el aire a la atmósfera y no al tanque. Esto disminuye la carga sobre el motor y permite que funcione prácticamente sin carga.

Presión de reajuste de descarga: cuando la presión del tanque de aire baja a un punto predeterminado, la válvula de descarga se cierra. La presión del tanque de aire se incrementará ahora hasta que alcance la presión de alivio de descarga.

Guía de detección de problemas

Esta sección proporciona una lista de las fallas que se presentan con mayor frecuencia, sus causas y las medidas correctivas correspondientes. El operador o el personal de mantenimiento pueden llevar a cabo algunas de estas acciones correctivas, pero es posible que otras necesiten la asistencia de un técnico DEWALT calificado o de su distribuidor.

Problema	Código
Presión excesiva en el tanque de aire: la válvula de seguridad salta	1
Pérdidas de aire	2
Pérdida constante de aire en la válvula de descarga.	3
Pérdidas de aire en el tanque de aire o en las soldaduras del tanque de aire	4
Pérdidas de aire entre el cabezal y la placa de la válvula	5
Pérdidas de aire de la válvula de seguridad.....	6
El compresor no suministra suficiente aire para operar los accesorios	2, 7, 8, 9, 10, 12, 13
Entrada restringida de aire.....	12
Vibración excesiva.....	14, 15
Ruido de golpeteo	6, 13, 14, 15, 16, 17, 18, 19
Desgaste excesivo de la correa	13, 14, 16, 19, 20
Sonidos agudos.....	13
El motor no funciona.....	21, 22, 23, 34
La lectura de la presión en el manómetro regulado cae cuando se usa un accesorio	24

La perilla del regulador tiene una pérdida constante de aire	25
El regulador no cierra la salida de aire.....	25
Humedad en la carcaza de la bomba	2, 5, 11, 26, 27, 28, 29, 30, 31
La bomba no funciona	32
No se acumula presión en el tanque de aire	32, 33

Códigos de detección de problemas

CÓDIGO	CAUSA POSIBLE	SOLUCIÓN POSIBLE
1	La válvula de descarga no libera presión cuando el tanque de aire alcanza la presión de alivio	Se debe reemplazar la válvula de descarga. Comuníquese con un centro de servicio de fábrica DEWALT o con un centro de servicio autorizado DEWALT.
2	Las conexiones no están ajustadas	Ajuste las conexiones en los lugares donde sienta escapes de aire. Controle las conexiones con una solución de agua jabonosa. NO AJUSTE DEMASIADO.
3	Válvula de descarga defectuosa	Apague el motor, gire la palanca de descarga de bloqueo manual a la posición perpendicular de cerrada. Si hay pérdida de aire del tanque de aire a través de la válvula de descarga, reemplácela.
4	Tanque de aire defectuoso	Se debe reemplazar el tanque de aire. No repare la pérdida. ⚠ADVERTENCIA: Riesgo de explosión. No perfore, suelde ni modifique el tanque de aire o el mismo se debilitará. El tanque de aire se puede romper o explotar.
5	Sellos de pérdidas	Comuníquese con un centro de servicio de fábrica DEWALT o con un centro de servicio autorizado DEWALT.
6	Válvula de seguridad defectuosa	Opere la válvula de seguridad manualmente tirando del anillo. Si la válvula aún pierde, debe ser reemplazada.
7	Uso excesivo y prolongado de aire	Disminuya el uso de aire.
8	El compresor no es lo suficientemente grande para el accesorio	Controle los requisitos de aire del accesorio. Si es mayor que el flujo de aire o la presión provista por su compresor de aire, necesita un compresor más grande para operar el accesorio.
9	Agujero en la manguera de aire	Controle y reemplace la manguera de aire de ser necesario.
10	Válvula de descarga restringida	Retire, limpie o reemplace.

CÓDIGO	CAUSA POSIBLE	SOLUCIÓN POSIBLE
11	La unidad funciona en lugares húmedos o mojados	Traslade la unidad a un área seca y bien ventilada.
12	Filtro de entrada de aire restringido	Limpie o reemplace el filtro de entrada de aire.
13	Correa floja	Controle la tensión de la correa, consulte Ajustar la tensión de la correa en la sección <i>Mantenimiento</i> .
14	Las tuercas de montaje del motor están flojas	<p>Aplique una torsión de 13,5–27,1 Nm (10–20 pi-lb) a las tuercas de montaje del motor.</p> <p>⚠ADVERTENCIA: <i>Riesgo de explosión. La vibración excesiva puede debilitar el tanque de aire y provocar rotura o explosión. Los tornillos de montaje se deben mantener ajustados.</i></p>
15	Pump stiffener bracket bolt is loose	<p>Controle el perno y ajuste de ser necesario. Aplique una torsión de 13,5 a 27,1 Nm (10 a 20 libras-pies) al perno de soporte de la barra tensora de la bomba.</p> <p>⚠ADVERTENCIA: <i>Riesgo de explosión. La vibración excesiva puede debilitar el tanque de aire y provocar rotura o explosión. El perno de soporte de la barra tensora de la bomba se debe mantener ajustado. Nunca opere la unidad salvo que esté equipada con el soporte de la barra tensora.</i></p>
16	Polea suelta	Ajuste el tornillo de fijación de la polea, aplique una torsión entre 16,4 a 20,3 Nm (145 y 180 libras-pulgadas).
17	Volante suelto	Ajuste el tornillo del volante, aplique una torsión entre 16,4 a 20,3 Nm (145 y 180 libras-pulg.).
18	Acumulación de carbono en la bomba	Comuníquese con un centro de servicio de fábrica DEWALT o con un centro de servicio autorizado DEWALT.
19	Ajustar la correa	Controle la tensión de la correa, consulte Ajustar la tensión de la correa en la sección <i>Mantenimiento</i> .
20	Mala alineación de la polea	Consulte Alineación de la polea y el volante en la sección <i>Mantenimiento</i> .
21	La presión en el tanque de aire es demasiado elevada	Abra el regulador y reduzca la presión del tanque de aire a menos de 40 psi.
22	Problema del motor	Comuníquese con un centro de servicio de fábrica DEWALT o con un centro de servicio autorizado DEWALT.

CÓDIGO	CAUSA POSIBLE	SOLUCIÓN POSIBLE
23	El nivel de aceite del motor o de la bomba es bajo	Agregue a la bomba un completamente sintético detergente para compresor de aire aceite . Consulte Aceite de la bomba del compresor en la sección <i>Mantenimiento</i> .
24	El regulador no está correctamente ajustado para el uso de un accesorio	Es normal que se presente alguna caída de presión cuando se usa un accesorio, ajuste el regulador como se indica en Regulador en la sección <i>Características</i> si la caída es excesiva. NOTA: Ajuste la presión regulada bajo condiciones de flujo mientras se usa el accesorio.
25	Regulador dañado	Reemplace.
26	Aceite tipo detergente utilizado en la bomba	Drene el aceite y vuelva a llenar la bomba con completamente sintético para compresores de aire aceite sin detergente.
27	Ciclos de trabajo extremadamente livianos	Haga funcionar la unidad en ciclos de trabajo más largos. Se recomienda hacerla funcionar a alta velocidad entre el 50 y el 75% del tiempo de funcionamiento y operarla en marcha en espera el 25% del tiempo de funcionamiento.
28	Anillos de pistón dañados o gastados	Comuníquese con un centro de servicio de fábrica DEWALT o con un centro de servicio autorizado DEWALT.
29	Cilindro o pistón dañados o gastados	Comuníquese con un centro de servicio de fábrica DEWALT o con un centro de servicio autorizado DEWALT.
30	Terminación del cilindro del compresor gastada	Comuníquese con un centro de servicio de fábrica DEWALT o con un centro de servicio autorizado DEWALT.
31	Agua en el aceite de la bomba	Drene el aceite y vuelva a llenar la bomba con completamente sintético para compresores de aire aceite sin detergente.
32	Palanca de descarga de bloqueo manual en la posición de abierta	Gire la palanca de descarga de bloqueo manual a la posición perpendicular de cerrada .
33	Regulador abierto	Gire la perilla del regulador (F) en sentido contrario a las agujas del reloj hasta su tope incorporado y empuje la perilla hacia adentro para bloquearla.
34	Tanque de combustible del motor vacío	Agregue gasolina, consulte el procedimiento correcto en el manual de instrucciones del motor.



***For product, service or warranty information contact us at:
Para el producto, servicio o información sobre la garantía contacte con nosotros en:
Pour les produits, services ou informations sur la garantie nous contacter à:***

1-888-895-4549

www.DEWALT.com

MAT Industries, LLC, Long Grove, IL 60047

Under license from DEWALT Industrial Tool Co.

Bojo licencia de DEWALT Industrial Tool Co.

Sous licence de DEWALT Industrial Tool Co.

The following are trademarks for one or more DEWALT power tools: the yellow and black color scheme; the “D” shaped air intake grill; the array of pyramids on the handgrip; the kit box configuration; and the array of lozenge shape humps on the surface of the tool.

Las siguientes son características únicas de una o más herramientas eléctricas y accesorios de DEWALT: El esquema de color amarillo y negro, la parrilla de admisión de aire en “D”, la formación de pirámides en el mango, la configuración de la caja de herramientas y la formación de rombos en la superficie de la herramienta.

Vous trouverez ci-après les marques de commerce d'un ou plusieurs outils électriques et accessoires DEWALT. L'agencement de couleurs jaune et noir, la grille d'admission d'air en forme de “D”, la distribution de pyramides sur la poignée, le format du boîtier et la matrice complexe de bosses en forme de losanges sur la surface de l'outil.