

## ASSEMBLY

**CAUTION** Drain gas and oil before assembling the portability kit. Failure to do so will cause damage to the engine.

**CAUTION** Remove battery (if equipped) from generator frame before installing portability kit.

**NOTE:** Always follow state regulations for proper oil disposal.

1. Place generator on level ground; drain all gas and oil from the engine (see engine manual for correct procedure) and tank (if equipped).
2. Place a 1" thick x 1' square piece of wood on the ground in front of the engine. **NOTE:** Some units may require more than one piece of wood to properly support the engine. Failure to support the engine properly could result in isolator damage. With the help of another person, tilt the generator and rest the recoil starter on the wood. See Figure 2. **NOTE:** This will support the gasoline engine during assembly and make assembly easier.

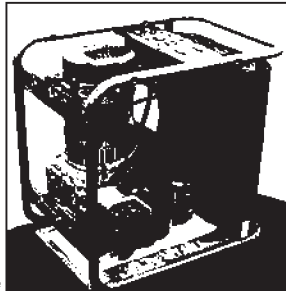


Figure 2

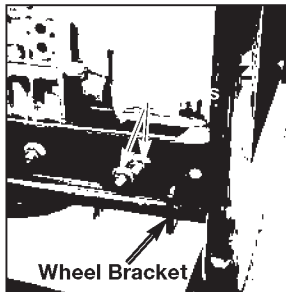


Figure 3

3. Using two screws (8) and two lock nuts (7) install the wheel bracket (3) on the bottom right side of the engine support as shown in Figure 3. Do not tighten.
4. Using two screws (8) and two lock nuts (7) install the wheel bracket (3) on the bottom left side of the engine support as shown in Figure 4. Do not tighten.

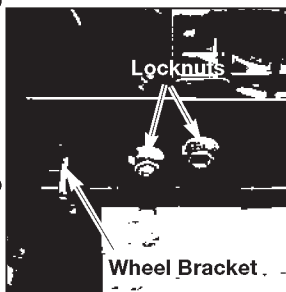


Figure 4

**NOTE:** If the unit is equipped with an isolator on the bottom left engine support as shown in Figure 5, assemble as follows.

- a. Remove the locknut on the bottom of the isolator.
- b. Position wheel bracket onto the existing screw, lining up holes in bracket with holes in frame. Secure with the removed locknut.
- c. Place screw (8) into second hole and secure with locknut (7).

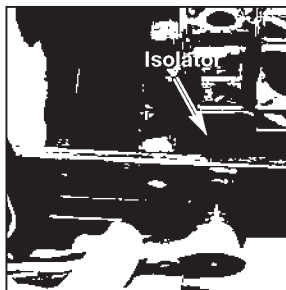


Figure 5

5. Tap the axle cap (5) on the end of the axle (16), using a rubber mallet.
6. Slide one wheel (15) onto the axle with the extended hub pointed away from axle cap. (See Figure 6)

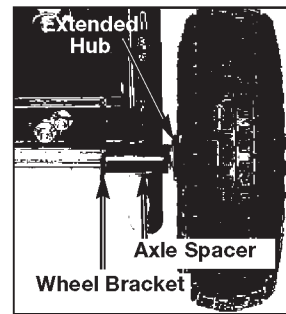


Figure 6

7. Slide one axle spacer (11) down against the wheel (15).
8. Slide the axle (16) through the holes in the wheel brackets (3).
9. Install the second axle spacer (11) then the second wheel (15) with the extended hub facing inward. See Figure 7.

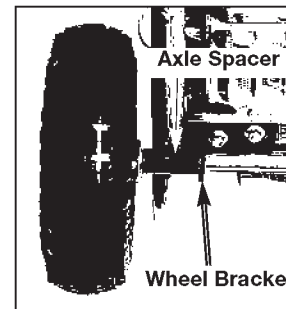


Figure 7

10. Tap axle cap (5) onto axle. See Figure 8. **NOTE:** Axle will need to be supported for axle cap to secure correctly.

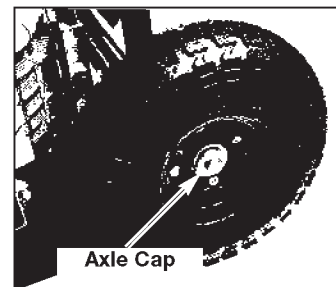


Figure 8

11. Tighten lock nuts (7) on wheel brackets.
12. Attach rubber bumpers (10) to foot brackets (1) using screws (9) and keps nuts (13). Tighten securely.

13. Attach foot bracket assembly (1) to generator frame with screws (9). See Figure 9. Tighten screws securely. **NOTE:** These screws are self-tapping and may require pressure to start. Repeat on other side.

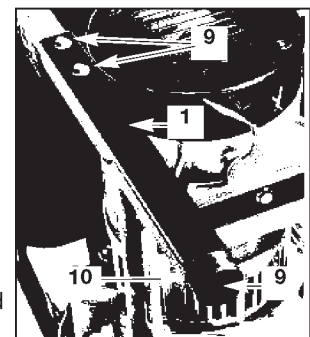


Figure 9

14. With another person helping, carefully tilt the generator to operating position.
15. To make installation easier, submerge handle grips (4) into warm soapy water. Remove handle grips (4) from soapy water and slide onto handles (2).
16. Squeeze snap button (12), slide into handle (2), and release snap button through second hole. See Figure 10. **NOTE:** V of snap button is inserted first. Repeat step on other handle.
17. Depress snap button (12), slide into handle bracket (14), and release through first slot in handle bracket as shown in Figure 11. Secure handle to handle bracket with screw (6) and locknut (7).

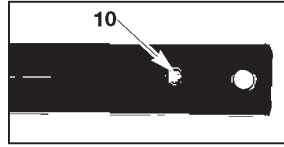


Figure 10

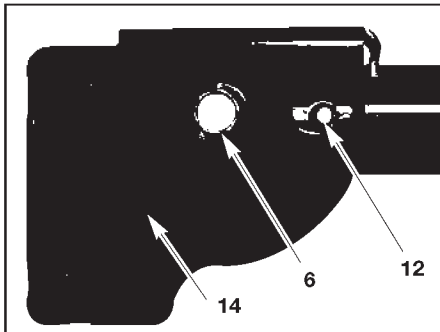


Figure 11

18. On other handle depress snap button (12), slide into handle bracket (11), and release through first slot in handle bracket as shown in Figure 12. Secure handle to handle bracket with screw (6) and locknut (7).

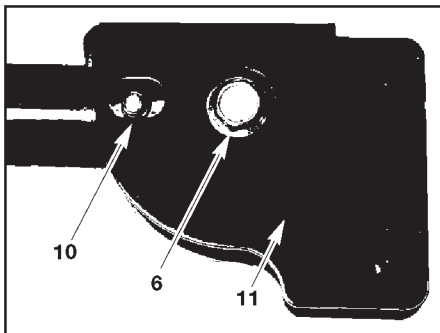


Figure 12

19. Attach handle bracket assemblies to frame with screws (6) and locknuts (7). Tighten securely.

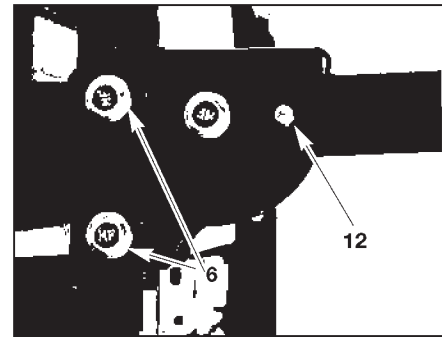


Figure 13

**NOTE:** Orientation of handle assemblies to frame will depend on how the operator wishes to operate snap button (12). If snap button is assembled to outside of the generator frame it will be operated by the fingers. If snap button is assembled to inside of the generator frame it will be operated by the thumbs. Figure 13 shows the snap button assembled to outside of generator frame.

**WARNING** Risk of moving parts. Keep fingers away from all moving parts. Contact with moving parts can result in serious injury. Keep children away from the generator at all times. They may not be able to recognize the hazards of this product.



20. The portability kit is now ready for use.
21. To lower handle, depress snap button and fold handles down.
22. Raise handles and allow snap button to snap into place.