

**Instruction
manual**

**Double Insulated Random
Orbit 5" Sander/6" Polisher**



- MODELS
7424SP
7424
7334
7335
7336



To learn more about Porter-Cable
visit our website at:

<http://www.porter-cable.com>

PORTER-CABLE
PROFESSIONAL POWER TOOLS

Copyright © 2000 Porter-Cable Corporation

IMPORTANT

Please make certain that the person who is to use this equipment carefully reads and understands these instructions before starting operations.

The Model and Serial No. plate is located on the main housing of the tool. Record these numbers in the spaces below and retain for future reference.

Model No. _____

Type _____

Serial No. _____

Part No. 900317-0010

IMPORTANT SAFETY INSTRUCTIONS

WARNING: When using electric tools, basic safety precautions should always be followed to reduce the risk of fire, electric shock and personal injury, including the following:

WARNING: SOME DUST CREATED BY POWER SANDING, SAWING, GRINDING, DRILLING, AND OTHER CONSTRUCTION ACTIVITIES contains chemicals known to cause cancer, birth defects or other reproductive harm. Some examples of these chemicals are:

- lead from lead-based paints,
- crystalline silica from bricks and cement and other masonry products, and
- arsenic and chromium from chemically-treated lumber.

Your risk from these exposures varies, depending on how often you do this type of work. To reduce your exposure to these chemicals: work in a well ventilated area, and work with approved safety equipment, such as those dust masks that are specially designed to filter out microscopic particles.

READ AND FOLLOW ALL INSTRUCTIONS.

There are certain applications for which this tool was designed. Porter-Cable strongly recommends that this tool NOT be modified and/or used for any application other than for which it was designed. If you have any questions relative to its application DO NOT use the tool until you have written Porter-Cable and we have advised you.

Technical Service Manager
Porter-Cable Corporation
4825 Highway 45 North
Jackson, TN 38305

POLARIZED PLUGS: To reduce the risk of electric shock, this equipment has a polarized plug (one blade is wider than the other). This plug will fit in a polarized outlet only one way. If the plug does not fit fully in the outlet, reverse the plug. If it still does not fit, contact a qualified electrician to install the proper outlet. Do not change the plug in any way.

- 1. KEEP WORK AREA CLEAN.** Cluttered areas and benches invite injuries.
- 2. AVOID DANGEROUS ENVIRONMENT.** Don't expose power tools to rain. Don't use power tools in damp or wet locations. Keep area well lit. Avoid chemical or corrosive environment. Do not use tool in presence of flammable liquids or gases.
- 3. GUARD AGAINST ELECTRIC SHOCK.** Prevent body contact with grounded surfaces. For example: pipes, radiators, ranges, refrigerator enclosures.
- 4. KEEP CHILDREN AWAY.** Do not let visitors contact tool or extension cord. All visitors should be kept away from work area.
- 5. STORE IDLE TOOLS.** When not in use, tools should be stored in dry, and high or locked-up place – out of reach of children.
- 6. DON'T FORCE TOOL.** It will do the job better and safer at the rate for which it was intended.
- 7. USE RIGHT TOOL.** Don't force small tool or attachment to do the job of a heavy duty tool. Don't use tool for purpose not intended – for example – do not use a circular saw for cutting tree limbs or logs.

8. DRESS PROPERLY. Do not wear loose clothing or jewelry. Loose clothing, draw strings and jewelry can be caught in moving parts. Rubber gloves and non-skid footwear are recommended when working outdoors. Wear protective hair covering to contain long hair.

9. USE SAFETY GLASSES. Wear safety glasses or goggles while operating power tools. Also face or dust mask if operation creates dust. All persons in the area where power tools are being operated should also wear safety glasses and face or dust mask.

10. DON'T ABUSE CORD. Never carry tool by cord or yank it to disconnect from receptacle. Keep cord from heat, oil, and sharp edges. Have damaged or worn power cord and strain reliever replaced immediately. **DO NOT ATTEMPT TO REPAIR POWER CORD.**

11. SECURE WORK. Use clamps or a vise to hold work. It's safer than using your hand and it frees both hands to operate tool.

12. DON'T OVERREACH. Keep proper footing and balance at all times.

13. MAINTAIN TOOLS WITH CARE. Keep tools sharp and clean for better and safer performance. Follow instructions for lubricating and changing accessories. Inspect tool cords periodically and if damaged, have repaired by authorized service facility. Inspect extension cords periodically and replace if damaged. Have all worn, broken or lost parts replaced immediately. Keep handles dry, clean and free from oil and grease.

14. DISCONNECT TOOLS when not in use, before servicing, and when changing accessories such as blades, bits, cutters, etc.

15. REMOVE ADJUSTING KEYS AND WRENCHES. Form habit of checking to see that keys and adjusting wrenches are removed from the tool before turning it on.

16. AVOID UNINTENTIONAL STARTING. Do not carry a plugged-in tool with finger on switch. Be sure switch is off when plugging in. Keep hands, body and clothing clear of blades, bits, cutters, etc. when plugging in the tool.

17. OUTDOOR USE EXTENSION CORDS. When tool is used outdoors, use only extension cords marked "Suitable for use with outdoor appliances – store indoors when not in use."

18. STAY ALERT. Watch what you are doing. Use common sense. Do not operate tool when you are tired or while under the influence of medication, alcohol or drugs.

19. CHECK DAMAGED PARTS. Before further use of the tool, a guard or other part that is damaged should be carefully checked to determine that it will operate properly and perform its intended function. Check for alignment of moving parts, binding of moving parts, breakage of parts, mounting, and any other conditions that may affect its operation. A guard or other part that is damaged should be properly repaired or replaced by an authorized service center unless otherwise indicated elsewhere in this instruction manual. Have defective switches replaced by authorized service center. Do not use tool if switch does not turn it on and off.

20. WEAR EAR PROTECTION to safeguard against possible hearing loss.

SAVE THESE INSTRUCTIONS

ADDITIONAL SAFETY RULES FOR RANDOM ORBIT POLISHER

- 1. DO NOT RUN TOOL WITH PAD REMOVED.** Resulting vibration could cause loss of control.
- 2. READ, UNDERSTAND AND FOLLOW ALL SAFETY PRECAUTIONS** provided with any materials (polishers, waxes, cleaners, etc.) which are to be used with the polisher.

ADDITIONAL SAFETY RULES FOR RANDOM ORBIT SANDERS

- 1. ALWAYS** disconnect the sander cord plug from the power circuit before changing abrasive sheets.
- 2. DO NOT RUN TOOL WITH BACK-UP PAD REMOVED.** Resulting vibration could cause loss of control.
- 3. WEAR EYE AND FACE PROTECTION.** Injury to face and eyes can result if disc flies off or pad ruptures. Wear impact resistant glasses and full face shield.
- 4. USE PROTECTIVE SAFETY EQUIPMENT.** Wear safety goggles to protect your eyes and wear a protective mask to minimize breathing in the fine dust created while sanding. **NOTE:** Some wood contains preservatives which can be toxic. Take extra care to prevent inhalation and skin contact when working with these materials.
- 5. SANDING OF LEAD BASED-PAINT IS NOT RECOMMENDED.** Lead-based paint should only be removed by a professional.

ADDITIONAL SAFETY RULES FOR PAINT REMOVAL

WARNING: Extreme care should be taken when removing paint. The peelings, residue, and vapors of paint may contain lead, which is poisonous. Exposure to even low levels of lead can cause irreversible brain and nervous system damage; young and unborn children are particularly vulnerable.

Before beginning any paint removal process you should determine whether the paint you are removing contains lead. This can be done by your local health department or by a professional who uses a paint analyzer to check for lead.

LEAD-BASED PAINT SHOULD ONLY BE REMOVED BY A PROFESSIONAL.

Persons removing paint should follow these guidelines:

- 1. KEEP THE WORK AREA WELL VENTILATED.** Open the windows and put an exhaust fan in one of them. Be sure the fan is moving air from inside to outside.
- 2. REMOVE OR COVER** any carpets, rugs, furniture, clothing, cooking utensils and air ducts.
- 3. PLACE DROP CLOTHS** in the work area to catch any paint chips or peelings. Wear protective clothing such as extra work shirts, overalls and hats.
- 4. WORK IN ONE ROOM AT A TIME.** Furnishings should be removed or placed in the center of the room and covered. Work areas should be sealed off from the rest of the dwelling by sealing doorways with drop cloths.
- 5. CHILDREN, PREGNANT OR POTENTIALLY PREGNANT** women and nursing mothers should not be present in the work area until the work is done and all cleanup is complete.

6. WEAR A DUST RESPIRATOR or a dual filter (dust and fume) respirator mask which has been approved by the Occupational Safety and Health Administration (OSHA), the National Institute of Safety and Health (NIOSH), or the United States Bureau of Mines. These masks and replaceable filters are readily available at major hardware stores. Be sure the mask fits. Beards and facial hair may keep the masks from sealing properly. Change filters often. **DISPOSABLE PAPER MASKS ARE NOT ADEQUATE.**

7. KEEP FOOD AND DRINK out of the work area. Wash hands, arms, and face and rinse mouth before eating or drinking. Do not smoke or chew gum or tobacco in the work area.

8. CLEAN UP ALL REMOVED PAINT and dust by wet mopping the floors. Use a wet cloth to clean all walls, sills and any other surfaces where paint or dust is clinging. **DO NOT SWEEP, DRY DUST OR VACUUM.** Use a high phosphate detergent or trisodium (TSP) to wash and mop areas.

9. AT THE END OF EACH WORK SESSION put the paint chips and debris in a double plastic bag, close it with tape or twist ties and dispose of properly.

10. REMOVE PROTECTIVE CLOTHING and work shoes in the work area to avoid carrying dust into the rest of the dwelling. Wash work clothes separately. Wipe shoes off with a wet rag that is then washed with the work clothes. Wash hair and body thoroughly with soap and water.

REPLACEMENT PARTS

When servicing use only identical replacement parts.

MOTOR

Many Porter-Cable tools will operate on either D.C., or single phase 25 to 60 cycle A.C. current and voltage within plus or minus 5 percent of that shown on the specification plate on the tool. Several models, however, are designed for A.C. current only. Refer to the specification plate on your tool for proper voltage and current rating.

CAUTION: Do not operate your tool on a current on which the voltage is not within correct limits. Do not operate tools rated A.C. only on D.C. current. To do so may seriously damage the tool.

EXTENSION CORD SELECTION

If an extension cord is used, make sure the conductor size is large enough to prevent excessive voltage drop which will cause loss of power and possible motor damage. A table of recommended extension cord sizes will be found in this section. This table is based on limiting line voltage drop to 5 volts (10 volts for 230 volts) at 150% of rated amperes.

If an extension cord is to be used outdoors it must be marked with the suffix W-A following the cord type designation. For example – SJTW-A to indicate it is acceptable for outdoor use.

RECOMMENDED EXTENSION CORD SIZES FOR USE WITH PORTABLE ELECTRIC TOOLS

		Length of Cord in Feet								
115V		25 Ft.	50 Ft.	100 Ft.	150 Ft.	200 Ft.	250 Ft.	300 Ft.	400 Ft.	500 Ft.
230V		50 Ft.	100 Ft.	200 Ft.	300 Ft.	400 Ft.	500 Ft.	600 Ft.	800 Ft.	1000 Ft.
Nameplate Ampere Rating	0-2	18	18	18	16	16	14	14	12	12
	2-3	18	18	16	14	14	12	12	10	10
	3-4	18	18	16	14	12	12	10	10	8
	4-5	18	18	14	12	12	10	10	8	8
	5-6	18	16	14	12	10	10	8	8	6
	6-8	18	16	12	10	10	8	6	6	6
	8-10	18	14	12	10	8	8	6	6	4
	10-12	16	14	10	8	8	6	6	4	4
	12-14	16	12	10	8	6	6	6	4	2
	14-16	16	12	10	8	6	6	4	4	2
	16-18	14	12	8	8	6	4	4	2	2
18-20	14	12	8	6	6	4	4	2	2	

OPERATING INSTRUCTIONS

FOREWORD

As a Random Orbit Sander the tool provides rapid stock removal with 80 to 100 grit paper and swirl-free finishing with 120 to 150 grit paper.

As a Random Orbit Polisher the tool performs various tasks including polishing, rubbing, and general cleaning jobs.

TO START AND STOP TOOL

1. **CAUTION:** Make certain the switch is in the "OFF" position, and the power source is the same as that specified on the tool's nameplate.
2. Connect the tool to the power source.
3. Slide the switch button (A), Fig. 1, forward to start motor. Slide switch button rearward to stop motor.

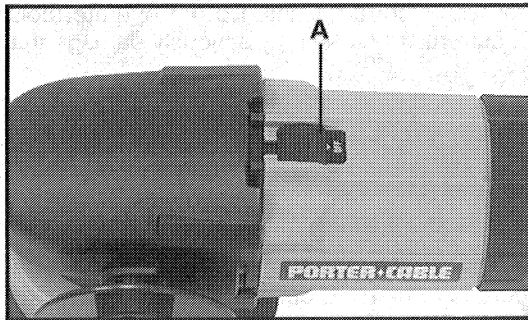


Fig. 1

VARIABLE SPEED MODELS

Speed is adjusted by turning thumbwheel (A), Fig. 1A. Thumb-wheel position #1 provides the slowest operating speed (2500 OPM) and position #6 the fastest (6000 OPM). Speed may be changed while motor is running or while it is stopped.

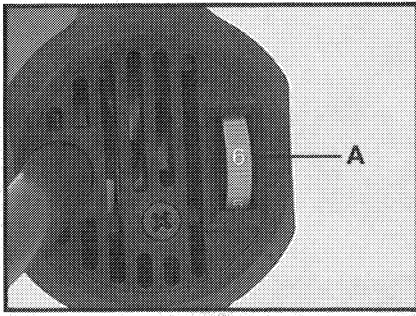


Fig. 1A

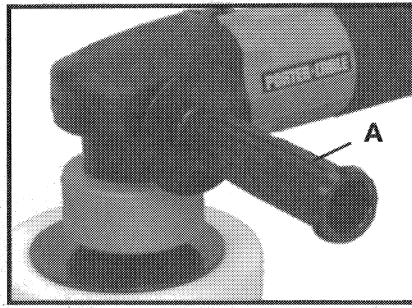


Fig. 2

AUXILIARY HANDLE

An auxiliary handle (A), Fig. 2, is furnished with the tool. The auxiliary handle may be installed on either side of the front housing to facilitate either right-handed or left-handed operation.

USING THE POLISHER

CAUTION: If the item to be polished is light enough to be moved by the rotating pad, it should be securely anchored to prevent possible bodily injury

1. Read and follow directions supplied with the product (polishes, waxes, cleaners, etc.) being used.
2. Apply a small amount of product directly to the polishing pad.
3. Grasp polisher firmly with both hands, one hand on auxiliary handle and one hand on motor housing (see Fig. 3).
4. Position polisher with polishing pad against work surface and then start the polisher. NEVER run the polisher while the pad is not in contact with the work surface: always start and stop polisher while the pad is in contact with the work surface.

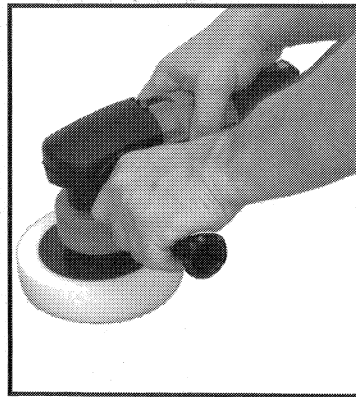


Fig. 3

5. Move polisher back and forth in a sweeping motion, overlapping each pass with the previous.
6. DO NOT apply additional pressure, allow the polisher to work under its own weight.
7. Do not mix products (wax, polish, cleaner, etc.) on the same pad. Label each pad to prevent future confusion.
8. The polishing pad is designed for product application only. Remove product residue with a soft cotton towel.

INSTALLING/REMOVING ABRASIVE DISC

1. **CAUTION:** DISCONNECT MACHINE FROM POWER SOURCE.
2. Place machine on workbench with pad up (See Fig. 4).
3. Clean dust from pad face.
4. Tear a new abrasive disc from roll and position disc to the sander pad.
5. Press disc firmly onto pad.

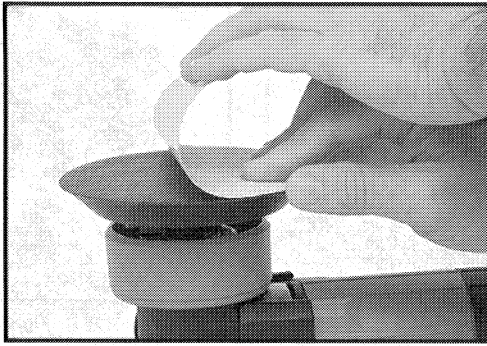


Fig. 4

6. Position machine with abrasive contacting scrap material. Start machine and operate momentarily while exerting firm pressure to seat disc to pad.

CAUTION: Failure to properly seat disc to pad may result in disc being thrown from pad causing personal injury.

7. To remove disc, peel disc away from pad.

NOTE: Do not store machine with an abrasive disc installed. Heat generated by the sanding operation increases the adhesive bond between the disc and pad. If disc is left on pad for an extended time after use, it can become difficult to remove.

USING THE SANDER

1. **CAUTION:** Secure work to prevent it from moving during the sanding operation. Friction between the sanding disc and work will try to spin work away from sander and may cause bodily injury.

2. **CAUTION:** Wear safety glasses and dust mask.

3. Place sander to work (see Fig. 5) with abrasive disc resting FLAT on the work.

NOTE: The Random Orbit mechanism allows the sander to be started and stopped with the pad in contact with the work or clear of the work.

4. Grasp sander firmly and move switch to "ON" position.

5. Keep sanding disc FLAT on work and move sander in long overlapping strokes. Tipping sander or stopping in one spot can produce an uneven finish.

6. When finished, stop sander and allow pad rotation to stop completely before setting sander down.

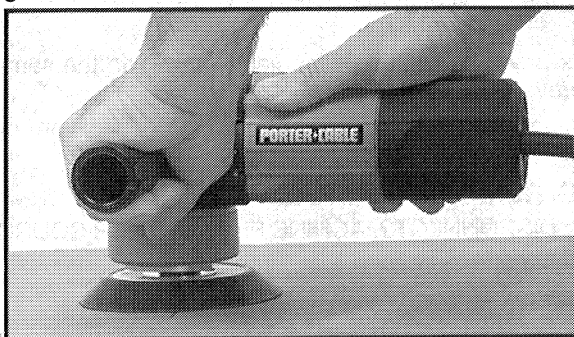


Fig. 5

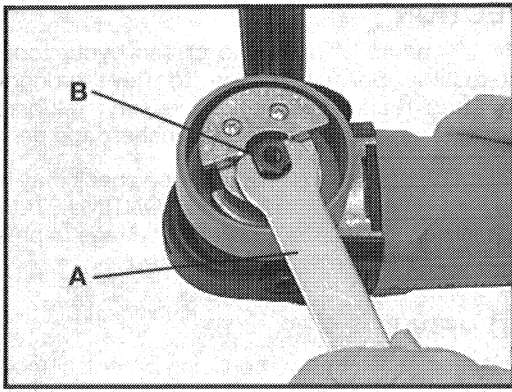


Fig. 6

CHANGING BACK-UP PAD

1. **CAUTION: DISCONNECT TOOL FROM POWER SOURCE.**
2. Position spindle wrench (A), Fig. 6, (furnished with tool) to engage the flats on the spindle (B), Fig. 6.

Notes:

- A. It may be necessary to rotate the pad (by hand) to expose the spindle flats.
 - B. Fig. 6 shows tool with pad removed for clarity.
3. While holding the spindle with the wrench, rotate the pad counterclockwise (by hand) to remove.
 4. To install pad, reverse the above procedure.

MAINTENANCE

KEEP TOOL CLEAN

Periodically blow out all air passages with dry compressed air. Remove buildup of grime resulting from working with green or sappy wood. All plastic parts should be cleaned with a soft damp cloth. NEVER use solvents to clean plastic parts.

CAUTION: Wear safety glasses while using compressed air.

FAILURE TO START

Should your tool fail to start, check to make sure the prongs on the cord plug are making good contact in the outlet. Also, check for blown fuses or open circuit breakers in the line.

LUBRICATION

Your machine is lubricated at the factory with sufficient lubricant to last for approximately one year's operation time. To add lubricant it is necessary to dismantle the tool. This operation should always be handled by the nearest Porter-Cable Authorized Service Center. All repairs and servicing made by these centers are fully guaranteed against defective materials and workmanship.

BRUSH INSPECTION

At approximately 100 hours of use, take or send your tool to your nearest Authorized Porter-Cable Service Station to be thoroughly cleaned and inspected; worn parts replaced, when necessary; relubricated with fresh lubricant, if required; reassembled with new brushes; and performance tested.

Any loss of power before the above maintenance check may indicate the need for immediate servicing of your tool. **DO NOT CONTINUE TO OPERATE TOOL UNDER THIS CONDITION.** If proper operating voltage is present, return your tool to the Service Station for immediate service.

SERVICE AND REPAIRS

All quality tools will eventually require servicing or replacement of parts due to wear from normal use. These operations, including brush inspection and replacement, should **ONLY** be performed by either an **AUTHORIZED PORTER-CABLE SERVICE STATION** or a **PORTER-CABLE SERVICE CENTER**. All repairs made by these agencies are fully guaranteed against defective material and workmanship. We cannot guarantee repairs made or attempted by anyone other than these agencies.

Should you have any questions about your tool, feel free to write us at any time. In any communications, please give all information shown on the nameplate of your tool (model number, type, serial number, etc.).

PORTER-CABLE LIMITED ONE YEAR WARRANTY

Porter-Cable warrants its Professional Power Tools for a period of one year from the date of original purchase. We will repair or replace, at our option, any part or parts of the product and accessories covered under this warranty which, after examination, proves to be defective in workmanship or material during the warranty period. For repair or replacement, return the complete tool or accessory, transportation prepaid, to your nearest Porter-Cable Service Center or Authorized Service Station. Proof of purchase may be required. This warranty does not apply to repair or replacement required due to misuse, abuse, normal wear and tear or repairs attempted or made by other than our Service Centers or Authorized Service Stations.

ANY IMPLIED WARRANTY, INCLUDING THE IMPLIED WARRANTIES OF MERCHANTABILITY AND FITNESS FOR A PARTICULAR PURPOSE, WILL LAST ONLY FOR ONE (1) YEAR FROM THE DATE OF PURCHASE.

To obtain information on warranty performance please write to: PORTER-CABLE CORPORATION, 4825 Highway 45 North, P.O. Box 2468, Jackson, Tennessee 38302-2468; Attention: Product Service. THE FOREGOING OBLIGATION IS PORTER-CABLE'S SOLE LIABILITY UNDER THIS OR ANY IMPLIED WARRANTY AND UNDER NO CIRCUMSTANCES SHALL PORTER-CABLE BE LIABLE FOR ANY INCIDENTAL OR CONSEQUENTIAL DAMAGES. Some states do not allow limitations on how long an implied warranty lasts or the exclusion or limitation of incidental or consequential damages, so the above limitation or exclusion may not apply to you.

This warranty gives you specific legal rights and you may also have other legal rights which vary from state to state.

ACCESSORIES

The testing of these tools has been accomplished with the use of the following accessories ONLY. For safest operation, it is recommended that ONLY these accessories be used with this product.

WARNING: Since accessories other than those listed have not been tested with this product, use of such accessories could be hazardous.

48779 Spindle Wrench

54745 Polishing Pad

BACK-UP PADS

No. 13700 – Standard profile adhesive-back replacement pad (5")

No. 13701 – Adhesive-back contour accessory pad (5")

No. 13705 – Conversion Kit (5")

No. 16000 – Standard Profile Adhesive-Backed Pad (6")

No. 16001 – Adhesive-Back Contour Accessory Pad (6")

No. 16005 – Conversion Kit (6")

DUST COLLECTION ACCESSORIES

5" with 5-Hole

No. 14700 – Standard Profile Adhesive-Back (5")

No. 14701 – Contour Profile Adhesive-Back (5")

No. 15000 – Standard Profile Hook & Loop Pad (5")

No. 15001 – Contour Sanding Hook & Loop Pad (5")

6" with 6-Hole

No. 17000 – Standard Profile Adhesive-Back Pad (6")

No. 17001 – Contour Sanding Adhesive-Back Pad (6")

No. 18001 – Standard Profile Hook & Loop Pad

No. 18002 – Contour Sanding Hook & Loop Pad

DUST HOOD & HOSE

No. 73333 – DUST COLLECTION KIT contains:

No. 73340 – Dust Collection Hood

No. 39332 – Dust Collection Hose

No. 39335 – Adapter 1¹/₂" – 2¹/₂"

SANDING DISCS

Grit	Wgt.	5" Adhesive-Back Discs NO HOLES	6" Adhesive-Back Discs NO HOLES	5" Adhesive-Back Discs 5 HOLES	6" Adhesive-Back Discs 6 HOLES	5" Hook & Loop Discs 5 & 8 HOLES	6" Hook & Loop Discs 6 HOLES
60	F	Qty. 5 Pkg. 25	Qty. 5 Pkg. 25	Qty. 5 Pkg. 25	Qty. 5 Pkg. 25	Qty. 5 Pkg. 25	Qty. 5 Pkg. 25
		Part No. 72 500 06 05 72 500 06 25	Part No. 72 600 06 05 72 600 06 25	Part No. 72 550 06 05 72 550 06 25	Part No. 72 660 06 05 72 660 06 25	Part No. 73 550 06 05 73 550 06 25 73 580 06 05 73 580 06 25	Part No. 73 660 06 05 73 660 06 25
80	A	Qty. 10 Pkg. 50	Qty. 10 Pkg. 50	Qty. 10 Pkg. 50	Qty. 10 Pkg. 50	Qty. 5 Pkg. 25	Qty. 5 Pkg. 25
		Part No. 72 500 08 10 72 500 08 50	Part No. 72 600 08 50	Part No. 72 550 08 10 72 550 08 50	Part No. 72 660 08 50	Part No. 73 550 08 05 73 550 08 25 73 580 08 05 73 580 08 25	Part No. 73 660 08 25
100	A	Qty. 10 Pkg. 50	Qty. 10 Pkg. 50	Qty. 10 Pkg. 50	Qty. 10 Pkg. 50	Qty. 5 Pkg. 25	Qty. 5 Pkg. 25
		Part No. 72 500 10 10 72 500 10 50	Part No. 72 600 10 10 72 600 10 50	Part No. 72 550 10 10 72 550 10 50	Part No. 72 660 10 10 72 660 10 50	Part No. 73 550 10 05 73 550 10 25 73 580 10 05 73 580 10 25	Part No. 73 660 10 05 73 660 10 25
120	A	Qty. 10 Pkg. 50	Qty. 10 Pkg. 50	Qty. 10 Pkg. 50	Qty. 10 Pkg. 50	Qty. 5 Pkg. 25	Qty. 5 Pkg. 25
		Part No. 72 500 12 10 72 500 12 50	Part No. 72 600 12 50	Part No. 72 550 12 10 72 550 12 50	Part No. 72 660 12 50	Part No. 73 550 12 05 73 550 12 25 73 580 12 05 73 580 12 25	Part No. 73 660 12 25
150	A	Qty. 10 Pkg. 50	Qty. 10 Pkg. 50	Qty. 10 Pkg. 50	Qty. 10 Pkg. 50	Qty. 5 Pkg. 25	Qty. 5 Pkg. 25
		Part No. 72 500 15 10 72 500 15 50	Part No. 72 600 15 10 72 600 15 50	Part No. 72 550 15 10 72 550 15 50	Part No. 72 660 15 10 72 660 15 50	Part No. 73 550 15 05 73 550 15 25 73 580 15 05 73 580 15 25	Part No. 73 660 15 05 73 660 15 25
220	A	Qty. 10 Pkg. 50	Qty. 10 Pkg. 50	Qty. 10 Pkg. 50	Qty. 10 Pkg. 50	Qty. 5 Pkg. 25	Qty. 5 Pkg. 25
		Part No. 72 500 22 10 72 500 22 50	Part No. 72 600 22 10 72 600 22 50	Part No. 72 550 22 10 72 550 22 50	Part No. 72 660 22 10 72 660 22 50	Part No. 73 550 22 05 73 550 22 25 73 580 22 05 73 580 22 25	Part No. 73 660 22 05 73 660 22 25

Manual de
Instrucciones

Lijadora de 5"/pulidora
de 6" de órbita excéntrica
con aislamiento doble



MODELOS
7424SP
7424
7334
7335
7336



IMPORTANTE

Asegúrese de que la persona que va a usar esta herramienta lea cuidadosamente y comprenda estas instrucciones antes de empezar a operarla.

La placa de Modelo y Número de Serie está localizada en la caja principal de la herramienta. Anote estos números en las líneas de abajo y guárdelos para referencia en el futuro.

Número de modelo _____

Tipo _____

Número de serie _____

Para obtener más información
sobre Porter-Cable,
visite nuestro sitio web en:

<http://www.porter-cable.com>

PORTER+CABLE
PROFESSIONAL POWER TOOLS

NORMAS DE SEGURIDAD IMPORTANTES

ADVERTENCIA: Cuando se usan herramientas eléctricas, siempre se debe seguir precauciones de seguridad básicas para reducir el riesgo de incendio, choque eléctrico y herida personal, incluyendo lo siguiente:

ADVERTENCIA: CIERTO POLVO GENERADO POR EL LIJADO, ASERRADO, AMOLADO Y TALADRADO MECÁNICOS, Y POR OTRAS ACTIVIDADES DE CONSTRUCCIÓN, contiene agentes químicos que se sabe que causan cáncer, defectos de nacimiento u otros daños sobre la reproducción. Algunos ejemplos de estos agentes químicos son:

- Plomo de pinturas a base de plomo,
- Sílice cristalina de ladrillos y cemento y otros productos de mampostería, y
- Arsénico y cromo de madera tratada químicamente.

Su riesgo por causa de estas exposiciones varía, dependiendo de con cuánta frecuencia realice este tipo de trabajo. Para reducir su exposición a estos agentes químicos: trabaje en un área bien ventilada y trabaje con equipo de seguridad aprobado, como por ejemplo máscaras antipolvo que estén diseñadas especialmente para impedir mediante filtración el paso de partículas microscópicas.

LEA Y SIGA TODAS LAS INSTRUCCIONES.

Hay ciertas aplicaciones para las cuales esta herramienta fue diseñada. Porter-Cable recomienda enfáticamente que esta herramienta NO SEA modificada o usada para aplicaciones para las cuales no fue diseñada. Si tiene alguna pregunta relativa a su aplicación, NO USE la herramienta hasta que nos haya escrito a Porter-Cable y le hayamos aconsejado.

Technical Service Manager
Porter-Cable Corporation
4825 Highway 45 North
Jackson, TN 38305

CONECTORES POLARIZADOS: Para reducir el riesgo de choque eléctrico, este aparato tiene la clavija polarizada (un contacto es más ancho que el otro). Estos contactos entran en una tomacorriente polarizada de una sola manera. Si los contactos no entran en la toma de corriente, invierta la clavija. Si todavía no entran, póngase en contacto con un electricista cualificado que pueda instalar una toma de corriente apropiada. No cambie la clavija de ninguna manera.

- 1. MANTENGA SU ESPACIO DE TRABAJO LIMPIO.** Espacios y bancós desordenados invitan heridas.
- 2. EVITE EL AMBIENTE PELIGROSO.** No exponga herramienta eléctrica a la lluvia. No use herramienta eléctrica en lugares húmedos o mojados. Mantenga su espacio bien iluminado. Evite el ambiente corrosivo o químico. No use la herramienta donde haya líquidos o gases inflamables.
- 3. PROTEJASE CONTRA EL CHOQUE ELECTRICO.** Prevenga el contacto con superficies que sirven de tierra. Por ejemplo: tubería, radiadores, estufas y refrigeradores.
- 4. NO ADMITA NIÑOS** al sitio de trabajo, ni deje que otros toquen la herramienta o el cable de servicio. Tampoco debe admitir visitantes al sitio de trabajo.

5. GUARDE HERRAMIENTAS DESOCUPADAS. Cuando no se usa, la herramienta debe estar guardada en un lugar seco y alto o cerrado con llave fuera del alcance de los niños.

6. NO DEBE FORZAR LA HERRAMIENTA. Hará el trabajo mejor y con más seguridad a la velocidad para la cual fue diseñada.

7. USE LA HERRAMIENTA APROPIADA. No fuerce una herramienta pequeña o accesorio para hacer el trabajo de una herramienta de servicio pesado. No use la herramienta en un trabajo para el cual no fue diseñada – por ejemplo – no use una sierra circular portátil para cortar ramas o leño.

8. VISTASE APROPIADAMENTE. No lleve ropa suelta o alhajas. Ropa suelta, cordones de prendas y alhajas pueden trabarse en las partes móviles. Se recomienda que use guantes de hule (goma) y calzado antideslizante (antiderrapante) cuando se trabaja al aire libre. Toda persona que tiene cabello (pelo) largo debe llevar una red o algo que mantenga el cabello sujetado.

9. USE ANTEOJOS DE SEGURIDAD. Lleve anteojos de seguridad o antiparras cuando esté operando herramienta eléctrica. También lleve una máscara contra el polvo si la operación produce polvo. Toda persona cerca de donde se está usando herramienta eléctrica también debe llevar anteojos de seguridad y máscara contra el polvo.

10. NO ABUSE EL CABLE. Nunca lleve la herramienta por el cable eléctrico, ni lo desconecte de un tirón de la tomacorriente. No deje que el cable eléctrico se acerque a lo caliente, aceite o superficies filosas. Mande reemplazar inmediatamente cables eléctricos y grapas de tensión dañadas o gastadas. DE NINGUNA MANERA DEBE INTENTAR LA REPARACION DEL CABLE DE LA HERRAMIENTA.

11. ASEGURE SU TRABAJO. Use abrazaderas o una prensa de tornillo para detener la pieza. Es más seguro que usar la mano y además le libra ambas manos para operar la herramienta.

12. NO SOBREALCANSE. Siempre mantenga buen equilibrio.

13. MANTENGA SUS HERRAMIENTAS CON ATENCION. Mantenga sus herramientas afiladas y limpias para mejor y más seguro rendimiento. Siga las instrucciones para lubricar y cambiar accesorios. Revise los cables de las herramientas periódicamente y si están dañados, mándelos componer a un centro de servicio autorizado. Revise cables de servicio periódicamente y reemplácelos si están dañados. Mande reemplazar inmediatamente todas las partes perdidas, gastadas o rotas. Mantenga las agarraderas (empuñaduras) secas, limpias y sin ninguna grasa o aceite.

14. DESCONECTE LAS HERRAMIENTAS cuando no están en uso, antes de darles servicio y al cambiarles accesorios como seguetas, brocas, cortadores, etc.

15. QUITÉ LLAVES DE AJUSTE Y LLAVES DE TUERCA. Forme el hábito de revisar y quitar las llaves de ajuste y llaves de tuerca antes de poner la herramienta en marcha.

16. EVITE MARCHA INVOLUNTARIA DE LA HERRAMIENTA. No transporte una herramienta conectada con el dedo sobre el interruptor eléctrico. Asegure que el interruptor eléctrico esté apagado antes de enchufarla. Mantenga manos, cuerpo y ropa libre de las seguetas, brocas, cortadores, etc. al enchufar las herramientas.

17. USO DE CABLES DE SERVICIO AFUERA. Cuando se usa la herramienta afuera use exclusivamente cables de extensión marcados "Suitable for use with outdoor appliances-store indoors when not in use."

18. MANTENGASE ALERTA. Preste atención a lo que esté haciendo. Proceda lógicamente. No use la herramienta cuando esté cansado o bajo la influencia de medicación, alcohol o drogas.

19. REVISE PARTES DAÑADAS. Antes de continuar el uso de la herramienta, un protector u otra parte que sea dañada debe ser revisada cuidadosamente para determinar si funcionará correctamente y hará la función para la cual fue diseñada. Revise la alineación de partes móviles, la inmovilización de partes móviles, la rotura de partes, montaje y cualquier otra condición que pueda afectar su función. Un protector u otra parte dañada debe ser reparada o reemplazada en un centro de servicio autorizado, a no ser que esté indicado de una manera contraria en otra parte de este manual de instrucciones. Mandé reemplazar interruptores eléctricos a un centro de servicio autorizado. No use la herramienta si el interruptor eléctrico no funciona correctamente.

20. USE PROTECCION DE OIDOS para prevenir sordera.

GUARDE ESTAS INSTRUCCIONES

NORMAS DE SEGURIDAD ADICIONALES PARA LA PULIDORA DE ÓRBITA EXCÉNTRICA

1. NO UTILICE LA HERRAMIENTA SI SE HA QUITADO EL COJÍN. La vibración resultante podría causar pérdida de control.

2. LEA, ENTIENDA Y SIGA TODAS LAS PRECAUCIONES DE SEGURIDAD que se proporcionen con todos los materiales (pulidores, ceras, limpiadores, etc.) que se vayan a usar con la pulidora.

NORMAS DE SEGURIDAD ADICIONALES PARA LIJADORAS DE ORBITA EXCÉNTRICA

1. SIEMPRE desconecte la lijadora de la fuente de electricidad antes de cambiar discos abrasivos.

2. NO PONGA LA HERRAMIENTA EN MARCHA SIN EL COJIN. El aumento de vibraciones puede resultar en una pérdida de control.

3. USE PROTECCION PARA LOS OJOS Y LA CARA. Si el disco salta del cojín o una parte del cojín se desprende, una herida a la cara o a los ojos puede resultar. Use anteojos (antiparras) resistentes al impacto y una careta de pantalla facial

4. VISTASE APROPIADAMENTE. Use anteojos de seguridad para proteger los ojos y una máscara contra el polvo para prevenir la inhalación del polvo fino. **TOME NOTA:** Algunas maderas contienen preservativos los cuales pueden ser tóxicos. Tenga extrema precaución para prevenir la inhalación del polvo o el contacto del polvo con la piel durante la elaboración de estos materiales.

5. NO SE RECOMIENDA LIJAR PINTURA CON BASE DE PLOMO. Pintura que contiene plomo debe ser quitada solamente por profesionales.

NORMAS DE SEGURIDAD ADICIONALES PARA QUITAR PINTURA

ADVERTENCIA: Se debe usar extrema precaución al quitar pintura. El descascarillado, el residuo, y los vapores de pintura pueden contener plomo el cual es tóxico. Hasta un nivel bajo puede afectar el cerebro y el sistema nervioso. Afecta aún más a niños chicos y prenatales.

Antes de empezar cualquier trabajo de quitar pintura se debe determinar si la pintura contiene plomo. Para hacer esta determinación, se puede llamar al representante del departamento de salud local o a un profesional con un analizador de pintura.

PINTURAS CON BASE DE PLOMO DEBEN SER QUITADAS SOLAMENTE POR UN PROFESIONAL.

Personas que quitan pintura deben seguir estas instrucciones:

- 1. MANTENGA BUENA VENTILACION.** Abra las ventanas y coloque un abanico en una de ellas. Asegure que el abanico esté sacando el aire para afuera.
- 2. quite o cubra** todas las alfombras, los muebles, la ropa, los utensilios de la cocina y los conductores de aire acondicionado.
- 3. EXTIENDA UNAS MANTAS** para coleccionar el descascarillado. Lleve una camisa de manga larga, un mono y un sombrero o gorra.
- 4. TERMINE UN CUARTO ANTES DE EMPEZAR OTRO.** Coloque y cubra todos los muebles en el centro del cuarto. Cuelgue mantas de los portales (puertas) para aislar el cuarto del resto de la casa.
- 5. NIÑOS Y MUJERES EMBARAZADAS** o lactantes no deben presentarse en el sitio hasta que el trabajo y la limpieza se hayan terminado.
- 6. USE UN RESPIRADOR PARA POLVO** o una máscara respiradora con filtros dobles aprobada por la Administración de Salud y Seguridad Ocupacional (OSHA), el Instituto Nacional de Salud y Seguridad (NIOSH) o la Agencia de Minas de los E.E.U.U. Estas máscaras y filtros se consiguen en las ferreterías principales. Asegure que la máscara le venga bien. Barbas y vellos faciales pueden prevenir la seguridad de la máscara. Cambie los filtros con frecuencia. **LAS MASCARAS DE PAPEL PARA TIRAR NO SON ADECUADAS.**
- 7. MANTENGA LA COMIDA Y LAS BEBIDAS** fuera del sitio de trabajo. Lávese las manos, brazos y cara y enjuáguese la boca antes de comer o beber. No fume, mastique chicle o use tabaco en el sitio de trabajo.
- 8. LIMPIE TODA PINTURA REMOVIDA** y polvo con un trapeador mojado. Emplee un trapo mojado para limpiar las paredes, los rebordes y otras superficies donde se encuentre pintura o polvo. **NO BARRA, SACUDA O LIMPIE CON ASPIRADORA.** Use un detergente (jabón) rico en fosfato o trisodio (TSP) para limpiar y trapear el sitio.
- 9. DESPUES DE CADA PERIODO DE TRABAJO** ponga el descascarillado y los escombros en una bolsa de plástico doble, ciérrela bien con cinta de pegadura o "twist ties" y tírela apropiadamente.
- 10. QUITESE LA ROPA PROTECTORA** y los zapatos de trabajo dentro del sitio de trabajo para no ensuciar el resto de la casa con polvo. Lave esta ropa aparte. Limpie los zapatos con un trapo mojado. Entonces lave el trapo con la ropa de trabajo. Lávese bien el cabello (pelo) y el cuerpo con jabón y agua.

REFACCIONES (Partes de Repuesto)

Use exclusivamente refacciones idénticas cuando el reemplazo sea necesario.

MOTOR

Muchas herramientas de Porter-Cable funcionarán con corriente continua o con una fase de 25 a 60 Hz corriente alterna y voltaje entre más o menos 5 por ciento de lo indicado en la placa de especificaciones de la herramienta. Varios modelos, son diseñados solamente para corriente alterna. Refiérase a la placa de especificaciones de su herramienta para informarse del voltaje correcto y la capacidad normal de la corriente.

PRECAUCION: No use su herramienta con una corriente en la cual el voltaje no esté entre los límites correctos. No use herramientas de un régimen de corriente alterna con corriente continua. Hacerlo puede dañar seriamente su herramienta.

SELECCION DE CABLES DE SERVICIO

Si se usa un cable de servicio, asegure que el tamaño del conductor sea bastante grande para prevenir una disminución excesiva de voltaje la cual causará una pérdida de fuerza y posiblemente dañe el motor. Una guía de tamaños de cables de servicio recomendados se encuentra en esta sección. Esta guía se basa en la limitación de pérdida de voltaje a 5 voltios (10 voltios en el caso de 230 voltios) a 150% de la capacidad normal de amperios.

Si un cable de servicio se usará afuera tendrá que ser marcado con el sufijo W-A siguiendo la designación del tipo de cable. Por ejemplo – SJTW-A que indica que es aceptable para uso afuera.

TAMAÑOS DE CABLES DE SERVICIO RECOMENDADOS PARA USO
CON HERRAMIENTAS ELECTRICAS PORTATILES

		Longitud del cordón en pies									
		115V	25 pies	50 pies	100 pies	150 pies	200 pies	250 pies	300 pies	400 pies	500 pies
Capacidad nominal en amperios	230V	50 pies	100 pies	200 pies	300 pies	400 pies	500 pies	600 pies	800 pies	1000 pies	
	0-2	18	18	18	16	16	14	14	12	12	
	2-3	18	18	16	14	14	12	12	10	10	
	3-4	18	18	16	14	12	12	10	10	8	
	4-5	18	18	14	12	12	10	10	8	8	
	5-6	18	16	14	12	10	10	8	8	6	
	6-8	18	16	12	10	10	8	6	6	6	
	8-10	18	14	12	10	8	8	6	6	4	4
	10-12	16	14	10	8	8	6	6	4	4	
	12-14	16	12	10	8	6	6	6	4	2	
	14-16	16	12	10	8	6	6	4	4	2	
	16-18	14	12	8	8	6	4	4	2	2	
	18-20	14	12	8	6	6	4	4	2	2	

INSTRUCCIONES DE MANEJO

PREFACIO

Como lijadora de órbita excéntrica, la herramienta proporciona una remoción rápida de material con papel de grano 80 a 100 y un acabado sin marcas de remolinos con papel de grano 120 a 150.

Como pulidora de órbita excéntrica, la herramienta realiza varias tareas, inclusive trabajos de pulido, frotado y limpieza general.

PARA ARRANCAR Y DETENER LA HERRAMIENTA

1. **PRECAUCION:** Asegúrese que el interruptor (A), Fig. 1 esté apagado, "OFF". Asegúrese que la electricidad del circuito sea la misma que la indicada en la placa de especificaciones de la lijadora.

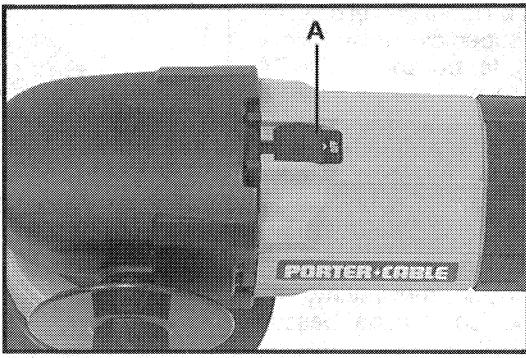


Fig. 1

2. Enchufe la clavija en la salida (toma) de corriente.
3. Empuje el interruptor, (A), Fig. 1, hacia adelante para poner el motor en marcha. Empújelo hacia atrás para parar el motor.

MODELOS DE VELOCIDAD VARIABLE

El control de la velocidad es por medio de un tornillo manual, (A), Fig. 1A. La posición No. 1 provee la velocidad más lenta (2500 OPM) y la posición No. 6 provee la más rápida (6000 OPM). Puede cambiar la velocidad con el motor en marcha o parado.

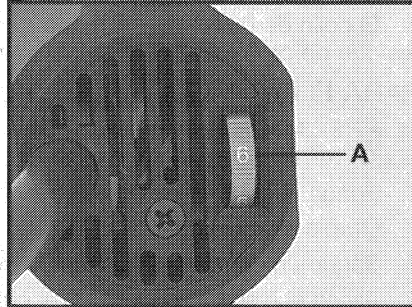


Fig. 1A

MANGO AUXILIAR

Con la herramienta se suministra un mango auxiliar (A), Fig. 2. El mango auxiliar puede instalarse en cualquier lado de la carcasa delantera para facilitar el manejo tanto con la mano derecha como con la izquierda.

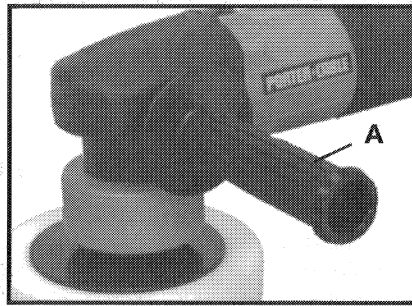


Fig. 2

UTILIZACIÓN DE LA PULIDORA

- ⚠ **PRECAUCIÓN:** Si el objeto que se va a pulir es suficientemente liviano para que el cojín que gira pueda moverlo, debe anclarse firmemente para evitar posibles lesiones corporales.
1. Lea y siga las instrucciones suministradas con el producto (pulidores, ceras, limpiadores, etc.) que se esté utilizando.
 2. Aplique una cantidad pequeña de producto directamente en el cojín de pulir.
 3. Agarre firmemente la pulidora con las dos manos, situando una mano en el mango auxiliar y la otra en la caja del motor (ver la Fig. 3).

4. Posicione la pulidora con el cojín de pulir contra la superficie de trabajo y luego arranque la pulidora. NUNCA haga funcionar la pulidora mientras el cojín no esté en contacto con la superficie de trabajo; arranque y pare siempre la pulidora mientras el cojín esté en contacto con la superficie de trabajo.

5. Mueva la pulidora hacia adelante y hacia atrás con un movimiento de barrido, superponiendo cada pasada con la anterior.

6. NO ejerza presión adicional, deje que la pulidora trabaje bajo su propio peso.

7. No mezcle productos (cera, pulidor, limpiador, etc.) en el mismo cojín. Etiquete cada cojín para evitar confusiones futuras.

8. El cojín de pulir está diseñado para aplicar productos solamente. Quite el residuo de producto con una toalla de algodón suave.

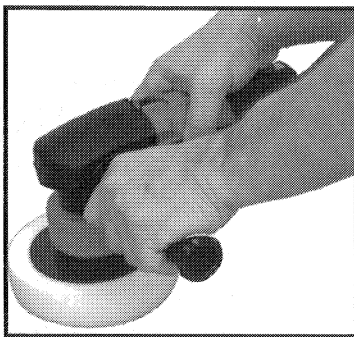


Fig. 3

PARA FIJAR O QUITAR EL DISCO ABRASIVO

1. **PRECAUCION:** DESCONECTE LA MAQUINA DE LA FUENTE DE ELECTRICIDAD.

2. Ponga la máquina sobre un banco con el cojín hacia arriba (vea Fig. 4).

3. Limpie el polvo del cojín.

4. Saque un disco abrasivo nuevo del rollo y colóquelo en el cojín.

5. Alinee el disco abrasivo con el cojín de la lijadora y apriételo bien.

6. Ponga la máquina con el abrasivo hacia abajo sobre una pieza de madera desechada. Ponga el motor en marcha. Aplique presión brevemente a la lijadora para pegar bien el disco al cojín.

PRECAUCION: Si el disco no está bien pegado al cojín, el disco puede salirse y causar una herida personal.

7. Para quitar el disco, despegue el disco del cojín.

TOME NOTA: No guarde la máquina con el disco abrasivo instalado. El calor generado por la acción de lijar aumenta la ligadura (ligación) entre el disco y el cojín. Si el disco se queda pegado al cojín por un tiempo prolongado, puede ser difícil quitarse.

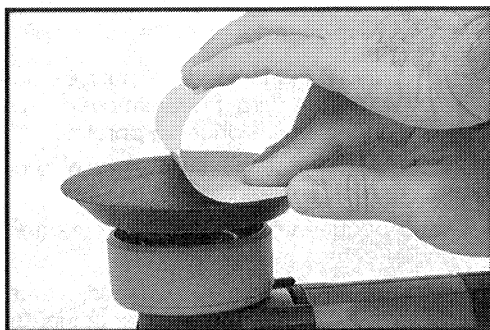


Fig. 4

PARA USAR LA LIJADORA

1. **PRECAUCION:** Sujete bien la pieza en elaboración para prevenir su movimiento. Debido a la fricción contra la lijadora, la pieza de trabajo intentará girar y puede causar una herida personal.
2. **PRECAUCION:** Use anteojos de seguridad y una máscara contra el polvo.
3. Ponga la lijadora con el disco en contacto plano (vea la Fig. 5) con la pieza de trabajo.

TOME NOTA: El mecanismo de Orbita Excéntrica permite poner la lijadora en marcha o pararla con, o sin, el disco en contacto con el trabajo.

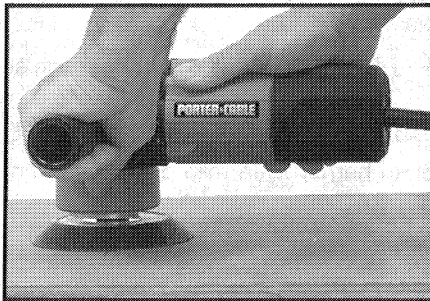


Fig. 5

4. Agarre la lijadora firmemente y empuje el interruptor, "ON".
5. Mueva la lijadora con el disco paralelo con la superficie en trechos largos y traslapados. Inclinando o parando la lijadora en un lugar puede producir un acabado irregular.
6. Al terminar, apague la lijadora y deje que el cojín pare completamente antes de ponerla a un lado.

PARA CAMBIAR EL COJIN

1. **PRECAUCIÓN:** DESCONECTE LA HERRAMIENTA DE LA FUENTE DE ALIMENTACIÓN.
2. Posicione la llave del husillo (A), Fig. 6, (suministrada con la herramienta) para acoplar las superficies planas del husillo (B), Fig. 6.

Notas:

- A. Puede ser necesario girar a mano el cojín para orientar los llanos del eje.
 - B. En la Figura 6 se muestra la herramienta con el cojín quitado para mayor claridad.
3. Mientras detiene el eje con la llave, desatornille a mano el cojín en sentido contrario a las manecillas del reloj para quitarlo.
 4. Haga los pasos al revés para instalar un cojín nuevo.

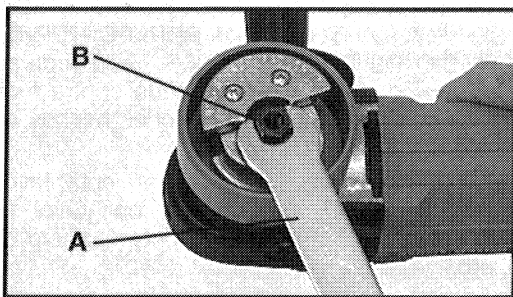


Fig. 6

MANTENIMIENTO

MANTENGA LAS HERRAMIENTAS LIMPIAS

Periódicamente sople todos los conductos de ventilación con aire seco a presión. Quite la acumulación de mugre que resulta del trabajo con madera verde o llena de savia. Todas las partes de plástico deben ser limpiadas con una tela suave y húmeda. NUNCA use solventes para limpiar las partes de plástico.

PRECAUCION: Use anteojos de seguridad cuando use aire a presión.

FALLA DE PONERSE EN MARCHA

Si su herramienta falla de ponerse en marcha, revísela para asegurarse que los contactos de la clavija estén en buen contacto con la tomacorriente. También, revise si hay fusibles fundidos o ruptores abiertos en el circuito.

LUBRICACION

Su máquina recibió suficiente lubricante en la fábrica para aproximadamente un año de uso. Para añadirle lubricante es necesario desarmar la herramienta. Esto debe hacerse siempre en el Centro de Servicio Autorizado de Porter-Cable más cercano. Toda reparación o servicio hecho por estas agencias está completamente garantizada contra material y hechura defectuosa.

INSPECCION DE ESCOBILLAS (Carbones)

Después de aproximadamente 100 horas de uso, lleve o mande su herramienta a la Estación de Servicio Autorizado por Porter-Cable más cercana para limpiarla a fondo y revisarla; para reemplazar partes gastadas, cuando sea necesario; para relubricarla de nuevo, si es requerido; para reensamblarla con escobillas nuevas; y para revisar su rendimiento.

Cualquier pérdida de fuerza antes de la inspección de arriba puede indicar que su herramienta necesita servicio inmediato. NO CONTINUE USO DE LA HERRAMIENTA BAJO ESTA CONDICION. Si el voltaje de la fuente de electricidad está correcto, devuelva su herramienta a la Estación de Servicio para servicio inmediato.

SERVICIO Y REPARACIONES

Toda herramienta de calidad eventualmente necesitará servicio o refacciones de partes gastadas debido al uso normal. Estas operaciones, incluyendo la inspección y reemplazo de escobillas, deben hacerse UNICAMENTE en una ESTACION DE SERVICIO AUTORIZADO POR PORTER-CABLE o en un CENTRO DE SERVICIO DE PORTER-CABLE. Toda reparación hecha por estas agencias está completamente garantizada contra material y hechura defectuosa. No podemos garantizar reparaciones hechas o intentadas por ninguna otra agencia.

Si tiene Ud. alguna pregunta acerca de su herramienta, favor de escribirnos cuando quiera. En cualquier comunicación, por favor escriba toda la información dada en la placa de su herramienta (número de modelo, tipo, número de serie, etc.).

ACCESORIOS

Esta herramienta ha sido probada con los siguientes accesorios. Para la más segura operación, se recomienda que solamente estos accesorios sean usados con este producto.

ADVERTENCIA: Como ningún otro accesorio, fuera de los indicados, se ha probado con este producto, el uso de tal accesorio puede ser peligroso.

48779 Llave de Eje

54745 Cojín de pulir

COJINES DE REFUERZO

No. 13700 – Cojín de perfil estándar con respaldo adhesivo, (5")

No. 13701 – Cojín de contorno y respaldo adhesivo, (5")

No. 13705 – Juego de conversión de 5"

No. 16000 – Cojín con refuerzo adhesivo de perfil estándar de 6"

No. 16001 – Cojín accesorio de contorno con refuerzo adhesivo de 6"

No. 16005 – Juego de conversión de 6"

ACCESORIOS PARA LA COLECCION DE POLVO

5" con 5 Agujeros

No. 14700 – Cojín de perfil estándar con respaldo adhesivo, (5")

No. 14701 – Cojín de contorno y respaldo adhesivo, (5")

No. 15000 – Cojín de perfil estándar con respaldo de Anillo y Gancho, (5")

No. 15001 – Cojín con respaldo de Anillo y Gancho para contornos, (5")

De 6" con 6 Agujeros

No. 17000 – Cojín con refuerzo adhesivo de perfil estándar de 6"

No. 17001 – Cojín con refuerzo adhesivo para lijar contornos de 6"

No. 18001 – Cojín de anillo y gancho de perfil estándar

No. 18002 – Cojín de anillo y gancho para lijar contornos

MANGUERA Y SOPLADERO DE POLVO

No. 73333 – JUEGO para la COLECCION DE POLVO contiene:

No. 73340 – Sopladero de Colector de Polvo

No. 39332 – Manguera de Colector de Polvo

No. 39335 – Adaptador de 1¹/₂" a 2¹/₂"

DISCOS DE LIA

Grano	Peso	Discos, Respaldo Adhesivo, 5" SIN AGUJEROS	Discos, Respaldo Adhesivo, 6" SIN AGUJEROS	Discos, Respaldo Adhesivo, 5" 5 AGUJEROS	Discos, Respaldo Adhesivo, 6" 6 AGUJEROS	Discos, Anillo y Gancho, 5" 5 y 8 AGUJEROS	Discos, Anillo y Gancho, 6" 6 AGUJEROS
60	F	5 72 500 06 05	5 72 600 06 05	5 72 550 06 05	25 72 660 06 25	5 73 550 06 05	5 73 660 06 05
		25 72 500 06 25	25 72 600 06 25	5 72 550 06 25	6 72 660 06 25	5 73 550 06 25	6 73 660 06 25
80	A	10 72 500 08 10	50 72 600 08 50	5 72 550 08 10	50 72 660 08 50	5 73 550 08 05	25 73 660 08 25
		50 72 500 08 50	50 72 600 08 50	5 72 550 08 50	6 72 660 08 50	5 73 550 08 25	6 73 660 08 25
100	A	10 72 500 10 10	10 72 600 10 10	5 72 550 10 10	10 72 660 10 10	5 73 550 10 05	5 73 660 10 05
		50 72 500 10 50	50 72 600 10 50	5 72 550 10 50	6 72 660 10 50	5 73 550 10 25	6 73 660 10 25
120	A	10 72 500 12 10	50 72 600 12 50	5 72 550 12 10	50 72 660 12 50	5 73 550 12 05	25 73 660 12 25
		50 72 500 12 50	50 72 600 12 50	5 72 550 12 50	6 72 660 12 50	5 73 550 12 25	6 73 660 12 25
150	A	10 72 500 15 10	10 72 600 15 10	5 72 550 15 10	10 72 660 15 10	5 73 550 15 05	5 73 660 15 05
		50 72 500 15 50	50 72 600 15 50	5 72 550 15 50	6 72 660 15 50	5 73 550 15 25	6 73 660 15 25
220	A	10 72 500 22 10	10 72 600 22 10	5 72 550 22 10	10 72 660 22 10	5 73 550 22 05	5 73 660 22 05
		50 72 500 22 50	50 72 600 22 50	5 72 550 22 50	6 72 660 22 50	5 73 550 22 25	6 73 660 22 25

PÓLIZA DE GARANTÍA LIMITADA DE 1 AÑO DE PORTER-CABLE

La Compañía de Porter-Cable garantiza sus herramientas mecánicas profesionales por un período de 1 año a partir de la fecha de compra. Porter-Cable reparará o reemplazará – según nuestra opción – cualquier parte o partes de la herramienta o de los accesorios protegidos bajo esta garantía que, después de examinarlas, demuestren cualquier defecto en los materiales o mano de obra durante el periodo de la garantía. Para reparación o reemplazo, devuelva la herramienta o accesorio completo, cubriendo el precio de transporte, al Centro de Servicio de Porter-Cable o a la Estación de Servicio Autorizado más cercana. Puede ser que requiera prueba de compra. Esta garantía no incluye la reparación o reemplazo en caso de mal uso, abuso o desgaste normal de la herramienta así como reparaciones efectuadas o atentadas por otros medios que no sean de los Centros de Servicio de Porter-Cable o las Estaciones de Servicio Autorizado por Porter-Cable.

CUALQUIER GARANTÍA IMPLÍCITA, INCLUSO LAS GARANTÍAS DE COMERCIALIZACIÓN Y APTITUD PARA PROPOSITOS ESPECIALES O PARTICULARES, DURARÁN POR SÓLO UN (1) AÑO A PARTIR DE LA FECHA DE COMPRA.

Para obtener información de la garantía de desempeño haga el favor de escribir a PORTER-CABLE CORPORATION, 4825 Highway 45 North, P. O. Box 2468, Jackson, Tennessee 38302-2468; Attention: Product Service. LA OBLIGACIÓN ANTERIORMENTE MENCIONADA ES LA ÚNICA RESPONSABILIDAD DE PORTER-CABLE BAJO ESTA O CUALQUIER GARANTÍA IMPLICADA. PORTER-CABLE DE NINGUNA MANERA SERÁ RESPONSABLE POR NINGÚN DAÑO INCIDENTAL O CONSECUENTE. Algunos estados no permiten limitaciones de tiempo de garantías implicadas ni la exclusión o la limitación de daños incidentales o consecuentes, así que puede que la limitación o la exclusión no le aplique a usted.

Esta garantía le da a usted unos derechos legales específicos. Puede ser que usted tenga también otros derechos legales los cuales varían de un estado a otro.

PRODUCTO _____

MODELO _____ No. DE SERIE _____

DISTRIBUIDOR _____

TELÉFONO _____

FECHA DE ENTREGA _____ / _____ /20 _____

FIRMA/SELLO _____

NOTES

Manuel
d'utilisation

Ponceuse de 5"/lustreuse
de 6" orbitale aléatoire à
double isolation



MODÈLES

7424SP

7424

7334

7335

7336



IMPORTANT

Veillez vous assurer que la personne qui utilise cet outil lit attentivement et comprend ces instructions avant de commencer à utiliser l'outil.

La plaque des numéros de modèle et de série est située sur le boîtier principal de l'outil. Prenez note de ces numéros dans les espaces ci-après et conservez-les pour référence future.

No. de modèle _____

Type _____

No. de série _____

IMPORTANTES CONSIGNES DE SÉCURITÉ

AVERTISSEMENT : En utilisant des outils électriques, des précautions de base doivent toujours être suivies pour réduire le risque d'incendie, de chocs électriques et de blessures, y compris les suivantes :

AVERTISSEMENT : LES TRAVAUX À LA MACHINE TEL QUE PONÇAGE, SCIAGE, MEULAGE, PERÇAGE ET AUTRES TRAVAUX DU BÂTIMENT PEUVENT CRÉER DES POUSSIÈRES contenant des produits chimiques qui sont des causes reconnues de cancer, de malformation congénitale ou d'autres problèmes reproductifs. Ces produits chimiques sont, par exemple:

- Le plomb provenant des peintures à base de plomb,
- Les cristaux de silices provenant des briques et du ciment et d'autres produits de maçonnerie, et
- L'arsenic et le chrome provenant des bois traités chimiquement

Le niveau de risque dû à cette exposition varie avec la fréquence de ces types de travaux. Pour réduire l'exposition à ces produits chimiques, il faut travailler dans un lieu bien ventilé et porter un équipement de sécurité approprié tel que certains masques à poussière conçus spécialement pour filtrer les particules microscopiques.

LISEZ ET SUIVEZ TOUTES LES CONSIGNES.

Cet outil a été conçu en fonction de certaines applications. Porter-Cable recommande fortement de NE PAS modifier et/ou utiliser cet outil pour une application autre que celle pour laquelle il a été conçu. Si vous avez des questions concernant son application, N'utilisez PAS l'outil avant d'avoir écrit à Porter-Cable et que nous vous ayons avisé.

Technical Service Manager
Porter-Cable Corporation
4825 Highway 45 North
Jackson, TN 38305

FICHES POLARISÉES : Pour réduire le risque de chocs électriques, cet outil possède une fiche polarisée (une lame est plus large que l'autre). Cette fiche ne s'insèrera dans une prise polarisée que d'une seule façon. Si la fiche ne s'insère pas à fond dans la prise, inversez la fiche. Si elle ne s'insère toujours pas, contactez un électricien qualifié pour faire installer la prise appropriée. Ne modifiez la fiche d'aucune façon.

- 1. GARDEZ L'AIRE DE TRAVAIL PROPRE.** Les aires de travail et les établis encombrés invitent les accidents.
- 2. ÉVITEZ LES ENVIRONNEMENTS DANGEREUX.** N'exposez pas les outils électriques à la pluie. N'utilisez pas les outils électriques dans des endroits humides ou mouillés. Gardez l'aire de travail bien éclairée. Évitez les environnements chimiques ou corrosifs. N'utilisez pas l'outil en présence de liquides ou de gaz inflammables.
- 3. PROTÉGEZ-VOUS CONTRE LES CHOCS ÉLECTRIQUES.** Prévenez le contact corporel avec les surfaces mises à la terre, telles que tuyaux, radiateurs, cuisinières ou enceintes de réfrigérateur.
- 4. TENEZ LES ENFANTS À L'ÉCART.** Ne laissez pas les visiteurs venir en contact avec l'outil ou le cordon de rallonge. Tous les visiteurs doivent être tenus à l'écart de l'aire de travail.

- 5. RANGEZ LES OUTILS INUTILISÉS.** Lorsqu'ils ne sont pas en usage, les outils doivent être rangés à un endroit sec et élevé, ou sous clé – hors de la portée des enfants.
- 6. NE FORCEZ PAS L'OUTIL.** Il exécutera un travail plus efficace et plus sûr à la vitesse à laquelle il a été conçu.
- 7. UTILISEZ LE BON OUTIL.** Ne forcez pas un petit outil ou accessoire à exécuter le travail d'un outil à grand rendement. N'utilisez pas l'outil à une fin pour laquelle il n'est pas conçu – ainsi, n'utilisez pas une scie circulaire pour couper des bûches ou des branches d'arbre.
- 8. HABILLEZ-VOUS ADÉQUATEMENT.** Ne portez pas de bijoux ou de vêtements lâches. Les vêtements lâches, les lacets et les bijoux peuvent être happés par les pièces en mouvement. Des gants en caoutchouc et des chaussures antidérapantes sont recommandés pour le travail à l'extérieur. Contenez les cheveux longs dans un filet ou autre revêtement protecteur.
- 9. UTILISEZ DES LUNETTES DE SÉCURITÉ.** Portez des lunettes de sécurité ou des lunettes à coques latérales en utilisant des outils motorisés. Portez également un écran facial ou antipoussières si le travail crée de la poussière. Toutes les personnes dans la zone où des outils électriques sont utilisés doivent également porter des lunettes de sécurité et un écran facial ou antipoussières.
- 10. NE MALTRAITEZ PAS LE CORDON.** Ne transportez jamais l'outil par le cordon et ne le tirez pas pour le débrancher de la prise. Tenez le cordon à l'écart de la chaleur, de l'huile et des arêtes vives. Faites remplacer immédiatement le cordon et le détendeur endommagés ou usés. **NE TENTEZ PAS DE RÉPARER LE CORDON ÉLECTRIQUE.**
- 11. ASSUJETTISSEZ L'OUVRAGE.** Utilisez des serre-joints ou un étau pour tenir l'ouvrage. C'est plus sûr que d'utiliser vos mains et libère vos deux mains pour manier l'outil.
- 12. TRAVAILLEZ AVEC APLOMB.** Tenez-vous bien d'aplomb et gardez votre équilibre à tout moment.
- 13. ENTRETENEZ LES OUTILS SOIGNEUSEMENT.** Gardez les outils affûtés et propres pour un travail plus efficace et plus sûr. Suivez les consignes relatives au graissage et au changement d'accessoires. Inspectez les cordons d'outil périodiquement et, s'ils sont endommagés, faites-les réparer par un centre de service agréé. Inspectez les cordons de rallonge périodiquement et remplacez-les s'ils sont abîmés. Faites remplacer immédiatement toutes les pièces usées, brisées ou perdues. Gardez les manches secs, propres et exempts d'huile et de graisse.
- 14. DÉBRANCHEZ LES OUTILS** lorsqu'ils ne sont pas en usage, avant l'entretien et lors du changement d'accessoires tels que lames, mèches, couteaux, etc.
- 15. ENLEVEZ LES CLÉS DE RÉGLAGE ET DE SERRAGE.** Prenez l'habitude de voir à ce qu'elles soient mises de côté avant de mettre l'outil en marche.
- 16. ÉVITEZ LA MISE EN MARCHÉ ACCIDENTELLE.** Ne transportez pas un outil branché avec le doigt appuyé sur l'interrupteur. Assurez-vous que l'interrupteur est en position d'arrêt avant de brancher l'outil. Tenez les mains, le corps et les vêtements à l'écart des lames, mèches, couteaux, etc., en branchant l'outil.
- 17. CORDONS DE RALLONGE POUR EXTÉRIEUR.** Quand vous utilisez l'outil à l'extérieur, n'employez que des cordons de rallonge marqués « Suitable for use with outdoor appliances – store indoors when not in use. » (peut être utilisé avec appareils extérieurs – ranger à l'intérieur lorsqu'il n'est pas en usage).

18. SOYEZ VIGILANT. Regardez ce que vous faites. Faites preuve de discernement. N'utilisez pas l'outil quand vous êtes fatigué ou sous l'influence de médicaments, d'alcool ou de stupéfiants.

19. RECHERCHEZ LES PIÈCES ENDOMMAGÉES. Avant d'utiliser l'outil, examinez soigneusement l'état des protecteurs ou autres pièces pour vous assurer qu'ils fonctionnent correctement. Vérifiez l'alignement et la liberté de fonctionnement des pièces mobiles, l'état et le montage des pièces et toutes autres conditions susceptibles d'affecter défavorablement le fonctionnement. Il faut faire réparer ou remplacer toute pièce ou tout protecteur par un centre de service agréé, sauf indication à l'effet contraire dans ce manuel d'instructions. Faites réparer les interrupteurs défectueux par un centre de service agréé. N'utilisez pas l'outil si l'interrupteur ne le met pas en marche et à l'arrêt.

20. PORTEZ UN CACHE-OREILLES ANTIBRUIT pour vous protéger contre une éventuelle perte auditive.

CONSERVEZ CES INSTRUCTIONS

CONSIGNES DE SÉCURITÉ SUPPLÉMENTAIRES POUR LA POLISSEUSE À ORBITE ALÉATOIRE

1. NE FAITES PAS FONCTIONNER L'OUTIL SANS LE PATIN. Les vibrations en résultant pourraient provoquer une perte de contrôle.

2. IL CONVIENT DE LIRE, DE COMPRENDRE ET DE SUIVRE TOUTES LES PRÉCAUTIONS DE SÉCURITÉ fournies avec tout matériel (produits à polir, cires, nettoyants, etc.) devant être employé avec la polisseuse.

CONSIGNES DE SÉCURITÉ SUPPLÉMENTAIRES POUR PONCEUSES À ORBITE ALÉATOIRE

1. DÉBRANCHEZ TOUJOURS la fiche du cordon de la ponceuse de la prise de courant avant de changer les feuilles abrasives.

2. N'UTILISEZ PAS L'OUTIL SANS LE COUSSINET D'APPUI. Les vibrations qui en résulteraient pourraient vous faire perdre le contrôle.

3. PORTEZ DES LUNETTES ET UN MASQUE PROTECTEURS. Vous pourriez être blessé au visage et aux yeux si le disque est éjecté ou si le patin se brise. Portez des lunettes antichocs et un masque couvrant tout le visage.

4. UTILISEZ L'ÉQUIPEMENT DE SÉCURITÉ APPROPRIÉ. Portez des lunettes de sécurité pour protéger vos yeux et portez un masque protecteur afin de minimiser la respiration de la poussière fine produite durant le ponçage. **REMARQUE :** Certains bois contiennent des agents de conservation qui peuvent être toxiques. Redoublez de prudence pour prévenir l'inhalation et le contact cutané lorsque vous travaillez avec ces matériaux.

5. LE PONÇAGE DE LA PEINTURE AU PLOMB N'EST PAS RECOMMANDÉ. La peinture au plomb ne doit être enlevée que par un professionnel.

RÈGLES DE SÉCURITÉ SUPPLÉMENTAIRES POUR L'ÉLIMINATION DE LA PEINTURE

AVERTISSEMENT : On doit procéder extrêmement soigneusement en éliminant la peinture. Les éclats, les résidus et les vapeurs de peinture peuvent contenir du plomb qui est toxique. L'exposition fût-ce à de bas niveaux de plomb peut causer des lésions irréversibles au cerveau et au système nerveux ; les jeunes enfants et les fœtus sont particulièrement vulnérables.

Avant de commencer à éliminer la peinture, vous devez déterminer si la peinture en question contient du plomb. Cette détermination peut être faite par votre département de santé local ou par un professionnel qui utilise un analyseur de peinture pour vérifier la teneur en plomb.

LA PEINTURE AU PLOMB NE DOIT ÊTRE ÉLIMINÉE QUE PAR UN PROFESSIONNEL.

Les personnes éliminant la peinture doivent suivre ces directives :

- 1. GARDEZ L'AIRE DE TRAVAIL BIEN VENTILÉE.** Ouvrez les fenêtres et placez un ventilateur aspirant dans l'une d'elles. Assurez-vous que le ventilateur déplace l'air depuis l'intérieur vers l'extérieur.
- 2. ENLEVEZ OU COUVREZ** les tapis, les moquettes, les meubles, les vêtements, les ustensiles de cuisson et les prises d'air.
- 3. PLACEZ DES JETÉES** dans l'aire de travail pour ramasser tout éclat de peinture. Portez des vêtements protecteurs tels que des chemises de travail, des bleus de travail et des chapeaux.
- 4. TRAVAILLEZ DANS UNE PIÈCE À LA FOIS.** L'ameublement doit être enlevé ou placé au centre de la pièce et couvert. Les aires de travail doivent être isolées du reste de l'habitation en scellant les portes à l'aide de jetées.
- 5. LES ENFANTS, LES FEMMES ENCEINTES OU POTENTIELLEMENT ENCEINTES** et les mères qui allaitent ne doivent pas être présentes dans l'aire de travail tant que le travail n'est pas achevé et que le nettoyage n'est pas terminé.
- 6. PORTEZ UN RESPIRATEUR ANTIPOUSSIÈRE** ou un masque respirateur à double filtre (poussière et gaz) qui a été approuvé par l'Occupational Safety and Health Administration (OSHA), le National Institute of Safety and Health (NIOSH), ou le Bureau of Mines des États-Unis. On peut se procurer facilement ces masques et filtres remplaçables auprès des grandes quincailleries. Assurez-vous que le masque fait. Les barbes et le poil facial peuvent empêcher les masques de bien faire. Changez les filtres souvent. **LES MASQUES EN PAPIER À USAGE UNIQUE NE SONT PAS ADÉQUATS.**
- 7. GARDEZ LES ALIMENTS ET LES BOISSONS** hors de l'aire de travail. Lavez-vous les mains, les bras et le visage, et rincez-vous la bouche avant de manger ou de boire. Ne fumez pas et ne mâchez pas de gomme ou de tabac dans l'aire de travail.
- 8. RAMASSEZ TOUTE LA PEINTURE ENLEVÉE** et la poussière en passant un balai-éponge mouillé sur les planchers. Utilisez un chiffon mouillé pour nettoyer tous les murs, les seuils et toute autre surface où adhère la peinture ou la poussière. **NE BALAYEZ PAS, N'ÉPOUSSETEZ PAS À SEC ET NE PASSEZ PAS L'ASPIRATEUR.** Utilisez un détergent à haute teneur en phosphate ou de l'irisodium (TSP) pour laver les aires de travail.

9. À LA FIN DE CHAQUE SESSION DE TRAVAIL, mettez les éclats de peinture et les débris dans un double sac en plastique, fermez-le avec du ruban ou des attaches, et mettez au rebut adéquatement.

10. ENLEVEZ LES VÊTEMENTS PROTECTEURS et les chaussures de travail dans l'aire de travail pour éviter de transporter de la poussière dans le reste de l'habitation. Lavez les vêtements de travail séparément. Essuyez les chaussures avec un chiffon mouillé qui est alors lavé avec les vêtements de travail. Lavez les cheveux et le corps soigneusement à l'eau savonneuse.

PIÈCES DE RECHANGE

En réparant, n'utilisez que des pièces de rechange identiques.

MOTEUR

Bon nombre d'outils Porter-Cable fonctionneront sur courant continu ou courant alternatif monophasé 25 à 60 cycles, et une tension qui se situe à plus ou moins 5 pour cent de celle indiquée sur la plaque signalétique de l'outil. Cependant, plusieurs modèles sont conçus uniquement pour le courant alternatif. Reportez-vous à la plaque signalétique de votre outil pour connaître les valeurs appropriées de tension et de courant.

MISE EN GARDE : Ne faites pas fonctionner votre outil sur un courant sur lequel la tension n'est pas dans les limites correctes. Ne faites pas fonctionner des outils marqués c.a. seulement sur le courant c.c. Ceci pourrait abîmer considérablement l'outil.

CHOIX DU CORDON DE RALLONGE

Si un cordon de rallonge est utilisé, assurez-vous que le conducteur est de taille suffisamment grande pour prévenir une chute excessive de tension et d'éventuels dommages au moteur. Un tableau des dimensions recommandées des cordons de rallonge se trouve ci-après. Ce tableau est basé sur une limitation de la chute de tension secteur à 5 volts (10 volts pour 230 volts) à 150 % des ampères nominaux.

Si un cordon de rallonge doit être utilisé à l'extérieur, il doit être marqué du suffixe W-A suivant la désignation du type de cordon. Par exemple – SJTW-A pour indiquer qu'il est acceptable pour utilisation extérieure.

DIMENSIONS RECOMMANDÉES DES CORDONS DE RALLONGE
POUR UTILISATION AVEC DES OUTILS ÉLECTRIQUES PORTATIFS

		Longueur du cordon en pieds									
		115V	25 pi.	50 pi.	100 pi.	150 pi.	200 pi.	250 pi.	300 pi.	400 pi.	500 pi.
		230V	50 pi.	100 pi.	200 pi.	300 pi.	400 pi.	500 pi.	600 pi.	800 pi.	1000 pi.
Valeur nominale en ampères sur la plaque signalétique	0-2	18	18	18	16	16	14	14	12	12	
	2-3	18	18	16	14	14	12	12	10	10	
	3-4	18	18	16	14	12	12	10	10	8	
	4-5	18	18	14	12	12	10	10	8	8	
	5-6	18	16	14	12	10	10	8	8	6	
	6-8	18	16	12	10	10	8	6	6	6	
	8-10	18	14	12	10	8	8	6	6	4	
	10-12	16	14	10	8	8	6	6	4	4	
	12-14	16	12	10	8	6	6	6	4	2	
	14-16	16	12	10	8	6	6	4	4	2	
	16-18	14	12	8	8	6	4	4	2	2	
18-20	14	12	8	6	6	4	4	2	2		

INSTRUCTIONS DE FONCTIONNEMENT

AVANT-PROPOS

En tant que ponceuse à mouvement orbital aléatoire, l'outil permet l'enlèvement rapide de matière avec du papier à grains de 80 à 100, et des finis sans traces avec du papier à grain de 120 à 150.

En tant que lustreuse à mouvement orbital aléatoire, l'outil permet d'effectuer des travaux variés tels que le polissage et le frottage ainsi que des travaux de nettoyage général.

POUR DÉMARRER ET ARRÊTER L'OUTIL

1. **MISE EN GARDE** : Assurez-vous que l'interrupteur est en position d'arrêt « OFF », et que la source de courant est la même que celle précisée sur la plaque signalétique de l'outil.
2. Branchez l'outil.
3. Faites glisser le bouton de l'interrupteur (A), Fig. 1, vers l'avant pour mettre le moteur en marche. Faites glisser le bouton de l'interrupteur vers l'arrière pour arrêter le moteur.

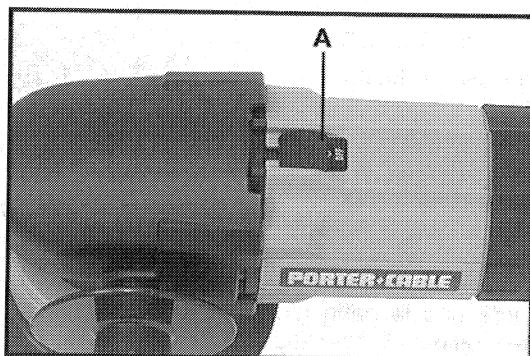


Fig. 1

MODÈLES À VARIATION DE VITESSE

La vitesse est ajustée en tournant la molette (A), Fig. 1A. La position No. 1 de la molette correspond à la vitesse de marche la plus lente (2500 orbites/min) et la position No. 6 à la vitesse la plus rapide (6000 orbites/min). On peut changer la vitesse pendant que le moteur tourne ou pendant qu'il est à l'arrêt.

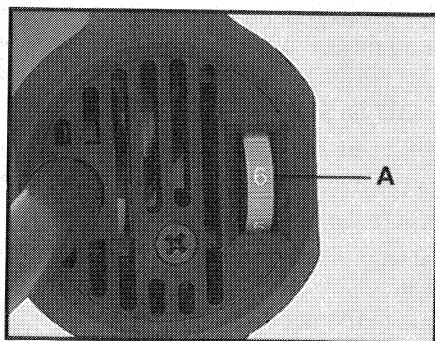


Fig. 1A

POIGNÉE AUXILIAIRE

L'outil est vendu avec une poignée auxiliaire (A) Fig. 2. La poignée auxiliaire peut être posée d'un côté comme de l'autre du boîtier avant pour faciliter l'utilisation de l'outil avec la main droite ou la main gauche.

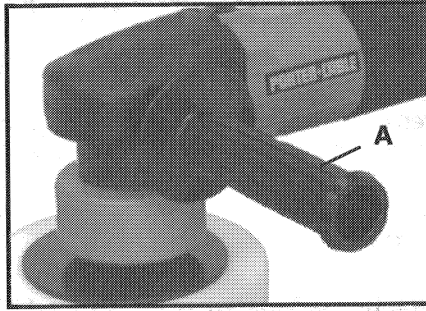


Fig. 2

UTILISATION DE LA POLISSEUSE

MISE EN GARDE : Si l'article à polir est suffisamment léger pour être déplacé par le patin rotatif, il doit être ancré solidement pour prévenir d'éventuelles lésions corporelles.

1. Lisez et suivez les instructions fournies avec le produit (produits à polir, cires, nettoyants, etc.) utilisé.
2. Appliquez une petite quantité de produit directement sur le patin de polissage.
3. Saisissez la polisseuse fermement des deux mains, une main sur la poignée auxiliaire et une main sur le carter du moteur (voir Fig. 3).
4. Positionnez la polisseuse avec le patin de polissage contre la surface de l'ouvrage, puis mettez la polisseuse en marche. Ne faites JAMAIS fonctionner la polisseuse alors que le patin n'est pas en contact avec la surface de l'ouvrage : mettez toujours la polisseuse en marche et à l'arrêt pendant que le patin est en contact avec la surface de l'ouvrage.
5. Déplacez la polisseuse d'avant-arrière en un mouvement de balayage, en faisant chevaucher les passes.
6. N'exercez PAS une pression supplémentaire, laissez la polisseuse travailler sous son propre poids.
7. Ne mélangez pas les produits (cire, produit à polir, nettoyant, etc.) sur le même patin. Étiquetez chaque patin pour éviter toute confusion future.
8. Le patin de polissage est conçu uniquement pour l'application du produit. Enlevez les résidus de produit à l'aide d'un linge en coton doux.

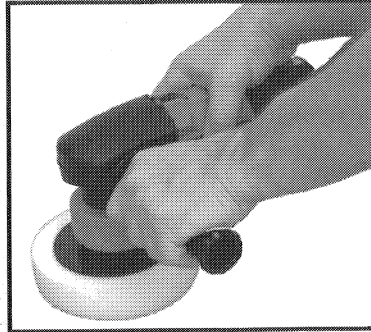


Fig. 3

POSE/DÉPOSE DU DISQUE ABRASIF

1. **MISE EN GARDE :** DÉBRANCHEZ L'OUTIL DE LA PRISE DE COURANT.
2. Placez l'outil sur l'établi avec le patin dirigé vers le haut (voir Fig. 4).
3. Enlevez la poussière sur la face du patin.
4. Déchirez un nouveau disque abrasif du rouleau et placez le disque sur le patin de la ponceuse.
5. Pressez le disque fermement sur le patin.

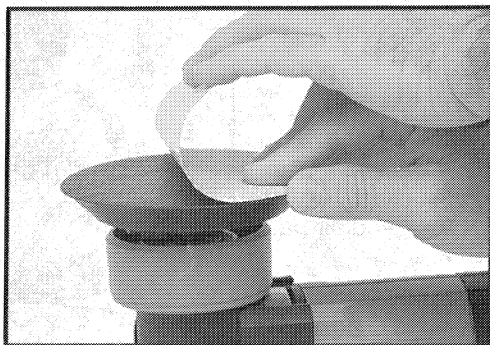


Fig. 4

6. Placez l'outil avec l'abrasif en contact avec le matériau de rebut. Mettez l'outil en marche et faites fonctionner pendant quelques instants tout en exerçant une pression ferme pour caler le disque sur le patin.

MISE EN GARDE : Le défaut de caler adéquatement le disque sur le patin peut projeter le disque hors du patin, causant ainsi des blessures.

7. Pour retirer le disque, détachez celui-ci du patin.

REMARQUE : Ne rangez pas l'outil alors qu'un disque abrasif y est posé. La chaleur dégagée par le ponçage accroît la liaison adhésive entre le disque et le patin. Si le disque est laissé sur le patin pendant une période prolongée après usage, il peut devenir difficile à enlever.

UTILISATION DE LA PONCEUSE

1. **MISE EN GARDE :** Fixez l'ouvrage pour l'empêcher de bouger durant le ponçage. La friction entre le disque de ponçage et l'ouvrage tentera d'éloigner l'ouvrage de la ponceuse et peut causer des blessures.

2. **MISE EN GARDE :** Portez des lunettes de sécurité et un masque anti-poussières.

3. Mettez la ponceuse en contact avec l'ouvrage (voir Fig. 5), avec le disque abrasif reposant À PLAT sur l'ouvrage.

REMARQUE : Le mécanisme d'orbite aléatoire permet de mettre la ponceuse en marche et à l'arrêt avec le patin en contact avec l'ouvrage ou à l'écart de celui-ci.



Fig. 5

4. Saisissez la ponceuse fermement et mettez l'interrupteur à la position de marche.

5. Gardez le disque de ponçage À PLAT sur l'ouvrage et déplacez la ponceuse en longues courses qui se chevauchent. L'inclinaison de la ponceuse ou l'arrêt à un endroit peut produire un fini inégal.

6. Une fois l'opération terminée, mettez la ponceuse à l'arrêt, et attendez que le patin cesse complètement de tourner avant de poser la ponceuse.

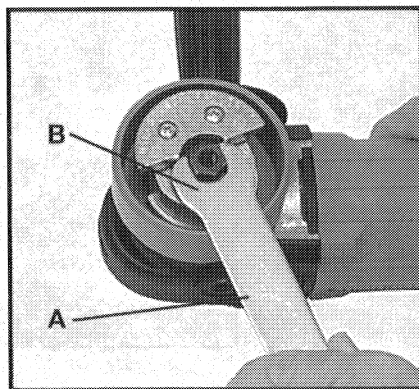


Fig. 6

REPLACEMENT DU COUSSINET D'APPUI

1. **ATTENTION** : DÉBRANCHER L'OUTIL.

2. Placer la clé de broche (A), Fig. 6, (fournie avec l'outil) sur les méplats de la broche (B), Fig. 6.

Remarques :

A. Il peut être nécessaire de tourner le coussinet (à la main) afin d'exposer les plats de l'axe.

B. La Fig. 6 montre l'outil avec le patin enlevé pour plus de clarté.

3. Tout en tenant l'axe avec la clé de serrage, tournez le coussinet en sens anti-horaire (à la main) pour l'enlever.

4. Pour installer le coussinet, inversez les étapes ci-dessus.

ENTRETIEN

GARDEZ L'OUTIL PROPRE

Soufflez régulièrement de l'air comprimé sec dans tous les passages d'air. Retirez l'accumulation de saleté résultant du travail avec un bois vert ou plein de sève. Toutes les pièces en plastique doivent être nettoyées à l'aide d'un chiffon doux humide. N'utilisez JAMAIS de solvants pour nettoyer les pièces en plastique.

MISE EN GARDE : Portez des lunettes de sécurité en utilisant de l'air comprimé.

IMPOSSIBILITÉ DE METTRE L'OUTIL EN MARCHÉ

Si votre outil ne se met pas en marche, assurez-vous que les broches de la fiche du cordon établissent un bon contact dans la prise. Vérifiez également si des fusibles sont grillés ou si des disjoncteurs sont déclenchés.

LUBRIFICATION

Votre outil est lubrifié à l'usine avec une quantité suffisante de lubrifiant pour durer pendant environ un an de fonctionnement. Il faut désassembler l'outil pour ajouter du lubrifiant. Cette opération doit toujours être confiée au centre de service agréé Porter-Cable le plus proche. Toutes les tâches de réparation et d'entretien exécutées par ces centres sont entièrement garanties contre les vices de matériaux et d'exécution.

INSPECTION DES BALAIS

Après environ 100 heures d'utilisation, apportez ou envoyez votre outil à votre centre de service Porter-Cable agréé le plus proche qui l'inspectera et le nettoiera soigneusement, remplacera les pièces usées au besoin, relubrifiera avec du lubrifiant frais si nécessaire, le remontera avec de nouveaux balais, et vérifiera son fonctionnement.

Toute perte de puissance avant la vérification d'entretien susmentionnée peut indiquer la nécessité de réparations immédiates de votre outil. **NE CONTINUEZ PAS À UTILISER L'OUTIL DANS CES CONDITIONS.** En présence d'une tension de service appropriée, renvoyez votre outil au centre de service pour réparations immédiates.

SERVICE ET RÉPARATIONS

Tous les outils de qualité finissent par nécessiter un entretien ou un remplacement de pièces qui s'usent dans des conditions normales d'utilisation. Ces opérations, y compris l'inspection et le remplacement des balais, doivent être effectuées **UNIQUEMENT** par un **CENTRE DE SERVICE PORTER-CABLE AGRÉÉ** ou un **CENTRE DE SERVICE PORTER-CABLE**. Toutes les réparations effectuées par ces centres sont garanties entièrement contre les vices de matériaux et d'exécution. Nous ne pouvons garantir les réparations effectuées ou entreprises par une personne autre que ces centres.

Si vous avez des questions au sujet de votre outil, n'hésitez pas à nous écrire à quelque moment que ce soit. Dans toutes vos communications, veuillez mentionner toutes les informations apparaissant sur la plaque signalétique de votre outil (numéro de modèle, type, numéro de série, etc.).

ACCESSOIRES

Cet outil a fait l'objet de vérifications à l'aide des accessoires suivants uniquement. Pour un fonctionnement sûr, il est recommandé de N'utiliser QUE ces accessoires avec votre produit.

AVERTISSEMENT : Étant donné que les accessoires autres que ceux indiqués n'ont pas été testés avec ce produit, l'utilisation de ces accessoires pourrait être dangereuse.

48779 Clé de serrage d'axe

54745 Patin de polissage

COUSSINETS D'APPUI

No. 13700 – Patin de rechange à dos adhésif à profil standard (5 po)

No. 13701 – Patin accessoire profilé à dos adhésif (5 po)

No. 13705 – Kit de conversion de 5 po

No. 16000 – Patin à dos adhésif de 6 po à profil standard

No. 16001 – Patin accessoire à dos adhésif de 6 po pour contours

No. 16005 – Kit de conversion de 6 po

ACCESSOIRES DE COLLECTE DE POUSSIÈRE

5 po avec 5 trous

No. 14700 – Dos adhésif à profil standard (5 po)

No. 14701 – Dos adhésif profilé (5 po)

No. 15000 – Patin à crochets et boucles à profil standard (5 po)

No. 15001 – Patin à crochets et boucles profilé (5 po)

6 po à 6 trous

No. 17000 – Patin à dos adhésif de 6 po à profil standard

No. 17001 – Patin à dos adhésif de 6 po pour ponçage de contours

No. 18001 – Patin à boucles et crochets pour profile standard

No. 18002 – Patin à boucles et crochets pour ponçage de contours

CHAPEAU ET FLEXIBLE DE COLLECTE DE POUSSIÈRE

No. 73333 – LE NÉCESSAIRE DE COLLECTE DE POUSSIÈRE contient :

No. 73340 – Chapeau de collecte de poussière

No. 39332 – Flexible de collecte de poussière

No. 39335 – Adaptateur 1¹/₂ po à 2¹/₂ po

GARANTIE LIMITÉE D'UN AN OFFERTE PAR PORTER-CABLE

Porter-Cable garantit ses outils dans la série "Professional Power Tools" pour une période d'un an à partir de la date de l'achat original. Pendant la période de garantie, nous réparerons, ou nous remplacerons, selon le cas, toute pièce de nos outils ou de nos accessoires couverte par notre garantie qui, après inspection, révélera un défaut de facture ou de matériel. Pour toute réparation ou pour tout remplacement, renvoyez l'outil ou l'accessoire en prépayé au centre de service Porter-Cable ou à la station autorisée. Il se peut qu'on vous demande de produire des pièces justificatives attestant de l'achat de l'outil. Cette garantie ne s'applique pas aux réparations ou aux remplacements nécessaires occasionnés par un mauvais usage de l'outil, un abus de l'outil, l'usage normal de l'outil, ou les réparations qui auraient été faites par un personnel non-autorisé n'appartenant pas à nos centre de service ou à nos stations autorisées.

TOUTE GARANTIE IMPLICITE, LA GARANTIE DE COMMERCE ET DE CONVENANCE POUR UNE TACHE PARTICULIERE INCLUE, NE DURERONT QUE POUR UNE PÉRIODE D'UN (1) AN A PARTIR DE LA DATE D'ACHAT.

Si vous désirez obtenir un supplément d'information sur la garantie, écrivez-nous à l'adresse suivante: PORTER-CABLE CORPORATION, 4825 Highway 45 North, P. O. Box 2468, Jackson, Tennessee 38302-2468; Attention: Product Service. L'OBLIGATION PRÉCÉDENTE EST LA SEULE RESPONSABILITÉ DE PORTER-CABLE SOUS LES TERME DE CETTE, OU DE TOUTE AUTRE, GARANTIE IMPLICITE OU NON. SOUS AUCUNE CIRCONSTANCE, PORTER-CABLE NE SERA TENU POUR RESPONSABLE POUR TOUT DOMMAGES INCIDENTAUX OU INDIRECTS. Certaines provinces ne permettent pas que limites soit posées soit sur la période de temps que dure une garantie implicite, soit sur la limitation ou l'exclusion de dommages incidentaux ou indirects. Ainsi, il se peut que l'exclusion citée ci-dessus ne s'applique pas directement à vous. Cette garantie vous donne certains droits légaux spécifiques. Vous pouvez également avoir droit à d'autres droits légaux selon les provinces.

DISQUES DE PONÇAGE

Grain	Pds.	Disques à dos adhésif de 5 po SANS TROUS	Disques à dos adhésif de 6 po SANS TROUS	Disques à dos adhésif de 5 po 5 TROUS	Disques à dos adhésif de 6 po 6 TROUS	Abbrasifs à crochets et broucles de 5 po 5 OU 8 TROUS	Abbrasifs à crochets et broucles de 5 po 6 TROUS
		Qté. emb. No. de Pièce	Qté. emb. No. de Pièce	Qté. emb. Schéma de trous No. de Pièce	Qté. emb. Schéma de trous No. de Pièce	Qté. emb. Schéma de trous No. de Pièce	Qté. emb. Schéma de trous No. de Pièce
60	F	5 72 500 06 05 25 72 500 06 25	5 72 600 06 05 25 72 600 06 25	5 72 550 06 05 25 72 550 06 25	25 6 72 660 06 25	5 73 550 06 05 25 73 550 06 25 5 73 560 06 05 25 73 560 06 25	5 73 660 06 05 25 73 660 06 25
	A	10 72 500 08 10 50 72 500 08 50	50 72 600 08 50	10 72 550 08 10 50 72 550 08 50	50 6 72 660 08 50	5 73 550 08 05 25 73 550 08 25 5 73 560 08 05 25 73 560 08 25	25 6 73 660 08 25
100	A	10 72 500 10 10 50 72 500 10 50	10 72 600 10 10 50 72 600 10 50	10 72 550 10 10 50 72 550 10 50	10 6 72 660 10 10 50 72 660 10 50	5 73 550 10 05 25 73 550 10 25 5 73 560 10 05 25 73 560 10 25	5 73 660 10 05 25 73 660 10 25
	A	10 72 500 12 10 50 72 500 12 50	50 72 600 12 50	10 72 550 12 10 50 72 550 12 50	50 6 72 660 12 50	5 73 550 12 05 25 73 550 12 25 5 73 560 12 05 25 73 560 12 25	25 6 73 660 12 25
150	A	10 72 500 15 10 50 72 500 15 50	10 72 600 15 10 50 72 600 15 50	10 72 550 15 10 50 72 550 15 50	10 6 72 660 15 10 50 72 660 15 50	5 73 550 15 05 25 73 550 15 25 5 73 560 15 05 25 73 560 15 25	5 73 660 15 05 25 73 660 15 25
	A	10 72 500 22 10 50 72 500 22 50	10 72 600 22 10 50 72 600 22 50	10 72 550 22 10 50 72 550 22 50	10 6 72 660 22 10 50 72 660 22 50	5 73 550 22 05 25 73 550 22 25 5 73 560 22 05 25 73 560 22 25	5 73 660 22 05 25 73 660 22 25

PORTER-CABLE SERVICE CENTERS (CENTROS DE SERVICIO DE PORTER-CABLE) (CENTRE DE SERVICE PORTER-CABLE)

Parts and Repair Service for Porter-Cable Power Tools are Available at These Locations
(Obtenga Refaccion de Partes o Servicio para su Herramienta en los Sigüientes Centros de Porter-Cable)
(Locations où vous trouverez les pièces de rechange nécessaires ainsi qu'un service d'entretien)

ARIZONA Tempe 85282 (Phoenix) 2400 West Southern Avenue Suite 105 Phone: (602) 437-1200 Fax: (602) 437-2200	GEORGIA Forest Park 30297 (Atlanta) 5442 Frontage Road, Suite 112 Phone: (404) 608-0006 Fax: (404) 608-1123	MINNESOTA Minneapolis 55429 4315 68th Avenue North Phone: (612) 561-9080 Fax: (612) 561-0653	OREGON Portland 97230 4916 NE 122 nd Ave. Phone: (503) 252-0107 Fax: (503) 252-2123
CALIFORNIA Ontario 91761 (Los Angeles) 3949A East Guasti Road Phone: (909) 390-5555 Fax: (909) 390-5554	ILLINOIS Addison 60101 (Chicago) 311 Laura Drive Phone: (630) 628-6100 Fax: (630) 628-0023	MISSOURI North Kansas City 64116 1141 Swift Avenue P.O. Box 12393 Phone: (816) 221-2070 Fax: (816) 221-2897	PENNSYLVANIA Willow Grove 19090 520 North York Road Phone: (215) 658-1430 Fax: (215) 658-1433
San Leandro 94577 (Oakland) 3039 Teagarden Street Phone: (510) 357-9762 Fax: (510) 357-7939	MARYLAND Elkridge 21075 (Baltimore) 7397-102 Washington Blvd. Phone: (410) 799-9394 Fax: (410) 799-9398	NEW YORK Flushing 11365-1595 (N.Y.C.) 175-25 Horace Harding Expwy. Phone: (718) 225-2040 Fax: (718) 423-9619	TENNESSEE Nashville 37214 2262 Lebanon Pike Phone: (615) 882-0320 Fax: (615) 882-0051
COLORADO Denver 80216 5855 Stapleton Drive North Suite A-140 Phone: (303) 370-6909 Fax: (303) 370-6969	MASSACHUSETTS Braintree 02185 (Boston) 719 Granite Street Phone: (781) 848-9810 Fax: (781) 848-6759	NORTH CAROLINA Charlotte 28209 4303-B South Boulevard Phone: (704) 525-4410 Fax: (704) 525-0618	TEXAS Dallas 75220 10720 N. Stemmons Freeway Phone: (214) 353-2996 Fax: (214) 350-3943
FLORIDA Davie 33314 (Miami) 4343 South State Rd. 7 (441) Unit #107 Phone: (954) 321-6635 Fax: (954) 321-6638	MICHIGAN Troy 48063 (Detroit) 1355 Combermere Phone: (248) 597-5000 Fax: (248) 597-5004	OHIO Columbus 43214 4560 Indianola Avenue Phone: (614) 263-0929 Fax: (614) 263-1238	WASHINGTON Renton 98055 (Seattle) 268 Southwest 43rd Street Phone: (425) 251-6680 Fax: (425) 251-9337
Tampa 33609 4538 W. Kennedy Boulevard Phone: (813) 877-9585 Fax: (813) 289-7948		Cleveland 44125 8001 Sweet Valley Drive Unit #19 Phone: (216) 447-9030 Fax: (216) 447-3097	

Authorized Service Stations are located in many large cities. Telephone **800-487-8665** or **901-541-6042** for assistance locating one. Parts and accessories for Porter-Cable products should be obtained by contacting any Porter-Cable Distributor, Authorized Service Center, or Porter-Cable Factory Service Center. If you do not have access to any of these, call **888-848-5175** and you will be directed to the nearest Porter-Cable Factory Service Center. Las Estaciones de Servicio Autorizadas están ubicadas en muchas grandes ciudades. Llame al **800-487-8665** ó al **901-541-6042** para obtener asistencia a fin de localizar una. Las piezas y los accesorios para los productos Porter-Cable deben obtenerse poniéndose en contacto con cualquier distribuidor Porter-Cable, Centro de Servicio Autorizado o Centro de Servicio de Fábrica Porter-Cable. Si no tiene acceso a ninguna de estas opciones, llame al **888-848-5175** y le dirigirán al Centro de Servicio de Fábrica Porter-Cable más cercano. Des centres de service agréés sont situés dans beaucoup de grandes villes. Appelez au **800-487-8665** ou au **901-541-6042** pour obtenir de l'aide pour en repérer un. Pour obtenir des pièces et accessoires pour les produits Porter-Cable, s'adresser à tout distributeur Porter-Cable, centre de service agréé ou centre de service d'usine Porter-Cable. Si vous n'avez accès à aucun de ces centres, appeler le **888-848-5175** et on vous dirigera vers le centre de service d'usine Porter-Cable le plus proche.

DELTA SERVICE CENTERS

ALBERTA Bay 6, 2520-23rd St. N.E. Calgary, Alberta T2E 8L2 Phone: (403) 735-6166 Fax: (403) 735-6144	MANITOBA 1699 Dublin Avenue Winnipeg, Manitoba R3H 0H2 Phone: (204) 633-9259 Fax: (204) 632-1976	QUÉBEC 1515 ave. St-Jean Baptiste, Québec, Québec G2E 5E2 Phone: (418) 877-7112 Fax: (418) 877-7123
BRITISH COLUMBIA 8520 Baxter Place Burnaby, B.C. V5A 4T8 Phone: (604) 420-0102 Fax: (604) 420-3522	ONTARIO 644 Imperial Road Guelph, Ontario N1H 6M7 Phone: (519) 836-2840 Fax: (519) 767-4131	1447, Begin St-Laurent, (Montréal), Québec H4R 1V8 Phone: (514) 336-8772 Fax: (514) 336-3505

The following are trademarks of PORTER-CABLE Corporation (Las siguientes son marcas registradas de PORTER-CABLE S.A.) (Les marques suivantes sont des marques de fabricant de la PORTER-CABLE Corporation): PORTER-CABLE®, OMNIGIG®, POCKET CUTTER®, PORTA-BAND®, PORTA-PLANE®, QUICKSAND®, VERSA-PLANE®, SANDTRAP®, SAW BOSS®, SPEED-BLOC®, SPEEDMATIC®, SPEEDTRONIC®, STAIR-EASE®, THE PROFESSIONAL EDGE®, TIGER CUB®, TIGER SAW®, TORQ-BUSTER®, DURATRONIC™, FRAME SAW™, JETSTREAM™, MICRO-SET™, MORTEN™, PROFESSIONAL SELECT™, QUIK-CHANGE™, TRU-MATCH™, WOODWORKER'S CHOICE™.

Trademarks noted with ® are registered in the United States Patent and Trademark Office and may also be registered in other countries. Las Marcas Registradas con el signo de ® son registradas por la Oficina de Registros y Patentes de los Estados Unidos y también pueden estar registradas en otros países. Marques déposées, indiquées par la lettre ®, sont déposées au Bureau des brevets d'invention et marques déposées aux Etats-Unis et pourraient être déposées aux autres pays.

Printed in U.S.A.