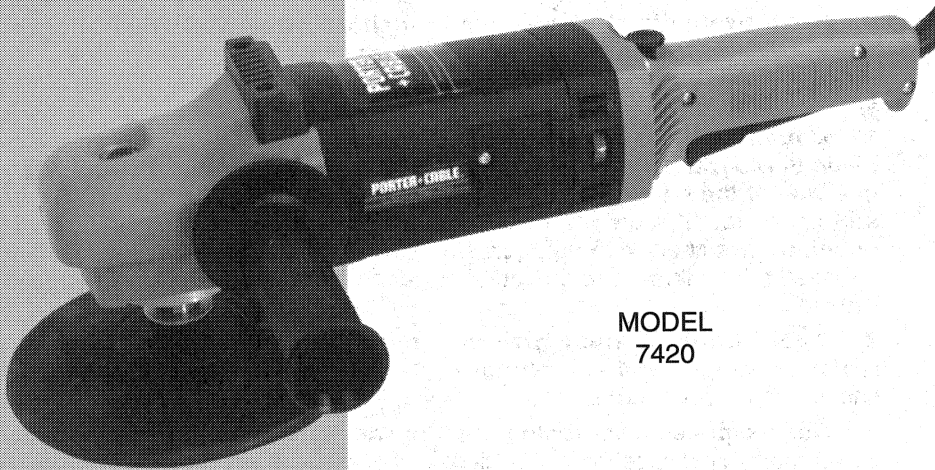


Instruction
manual

Double Insulated
Disc Polisher



MODEL
7420

IMPORTANT

Please make certain that the person who is to use this equipment carefully reads and understands these instructions before starting operations.

The Model and Serial No. plate is located on the main housing of the tool. Record these numbers in the spaces below and retain for future reference.

Model No. _____

Type _____

Serial No. _____

Part No. 889268-999

To learn more about Porter-Cable
visit our website at:

<http://www.porter-cable.com>

PORTER+CABLE
PROFESSIONAL POWER TOOLS

GENERAL SAFETY RULES

WARNING! READ AND UNDERSTAND ALL INSTRUCTIONS. Failure to follow all instructions listed below, may result in electric shock, fire and/or serious personal injury.

SAVE THESE INSTRUCTIONS.

WORK AREA

1. **Keep your work area clean and well lit.** Cluttered benches and dark areas invite accidents.
2. **Do not operate power tools in explosive atmospheres, such as in the presence of flammable liquids, gases, or dust.** Power tools create sparks which may ignite the dust or fumes.
3. **Keep bystanders, children, and visitors away while operating a power tool.** Distractions can cause you to lose control.

ELECTRICAL SAFETY

1. **Double insulated tools are equipped with a polarized plug (one blade is wider than the other). This plug will fit in a polarized outlet only one way. If the plug does not fit fully in the outlet, reverse the plug. If it still does not fit, contact a qualified electrician to install a polarized outlet. Do not change the plug in any way.** Double Insulated eliminates the need for the three wire grounded power cord and grounded power supply system.
2. **Avoid body contact with grounded surfaces such as pipes, radiators, ranges and refrigerators.** There is an increased risk of electric shock if your body is grounded.
3. **Don't expose power tools to rain or wet conditions.** Water entering a power tool will increase the risk of electric shock.
4. **Do not abuse the cord. Never use the cord to carry the tools or pull the plug from an outlet. Keep cord away from heat, oil, sharp edges or moving parts. Replace damaged cords immediately.** Damaged cords increase the risk of electric shock.
5. **When operating a power tool outside, use an outdoor extension cord marked "W-A" or "W".** These cords are rated for outdoor use and reduce the risk of electric shock.

PERSONAL SAFETY

1. **Stay alert, watch what you are doing, and use common sense when operating a power tool. Do not use tool while tired or under the influence of drugs, alcohol, or medication.** A moment of inattention while operating power tools may result in serious personal injury.
2. **Dress properly. Do not wear loose clothing or jewelry. Contain long hair. Keep your hair, clothing, and gloves away from moving parts.** Loose clothes, jewelry, or long hair can be caught in moving parts.
3. **Avoid accidental starting. Be sure switch is OFF before plugging in.** Carrying tools with your finger on the switch or plugging in tools that have the switch ON invites accidents.
4. **Remove adjusting keys or switches before turning the tool ON.** A wrench or a key that is left attached to a rotating part of the tool may result in personal injury.

5. Do not overreach. Keep proper footing and balance at all times. Proper footing and balance enable better control of the tool in unexpected situations.

6. Use safety equipment. Always wear eye protection. Dust mask, nonskid safety shoes, hard hat, or hearing protection must be used for appropriate conditions.

TOOLS USE AND CARE

1. Use clamps or other practical way to secure and support the workpiece to a stable platform. Holding the work by hand or against your body is unstable and may lead to loss of control.

2. Do not force tool. Use the correct tool for your application. The correct tool will do the job better and safer at the rate for which it is designed.

3. Do not use tool if switch does not turn it ON or OFF. A tool that cannot be controlled with the switch is dangerous and must be repaired.

4. Disconnect the plug from the power source before making any adjustments, changing accessories, or storing the tool. Such preventive safety measures reduce the risk of starting the tool accidentally.

5. Store idle tools out of reach of children and other untrained persons. Tools are dangerous in the hands of untrained users.

6. Maintain tools with care. Keep cutting tools sharp and clean. Properly maintained tools, with sharp cutting edges are less likely to bind and are easier to control.

7. Check for misalignment or binding of moving parts, breakage of parts, and any other condition that may affect the tool's operation. If damaged, have the tool serviced before using. Many accidents are caused by poorly maintained tools.

8. Use only accessories that are recommended by the manufacturer for your model. Accessories that may be suitable for one tool may become hazardous when used on another tool.

SERVICE

1. Tool service must be performed only by qualified repair personnel. Service or maintenance performed by unqualified personnel may result in a risk of injury.

2. When servicing a tool, use only identical replacement parts. Follow instructions in the Maintenance Section of this manual. Use of unauthorized parts or failure to follow Maintenance Instructions may create a risk of electric shock or injury.

SPECIFIC SAFETY RULES AND SYMBOLS



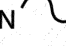

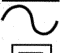



1. Always use proper guard with grinding wheel. A guard protects operator from broken wheel fragments.

2. Accessories must be rated for at least the speed recommended on the tool warning label. Wheels and other accessories running over rated speed can fly apart and cause injury.

3. Hold tool by insulated gripping surfaces when performing an operation where the cutting tool may contact hidden wiring or its own cord. Contact with a "live" wire will also make exposed metal parts of the tool "live" and shock the operator.

4. WARNING: There are certain applications for which this tool was designed. Porter-Cable strongly recommends that this tool NOT be modified and/or used for any application other than for which it was designed. If you have any questions relative to its application DO NOT use the tool until you have written Porter-Cable and we have advised you.

Technical Service Manager
 Porter-Cable Corporation
 4825 Highway 45 North
 P. O. Box 2468
 Jackson, TN 38302-2468

SYMBOL	DEFINITION
V	volts
A	amperes
Hz	hertz
W	watts
kW	kilowatts
μF	microfarads
l	liters
kg	kilograms
N/cm ²	newtons per square centimeter
Pa	pascals
h	hours
min	minutes
s	seconds
	alternating current
3 	three-phase alternating current
3N 	three-phase alternating current with neutral
	direct current
n ₀	no load
	alternating or direct current
	Class II Construction
	splash-proof construction
	watertight construction
... /min	revolutions or reciprocation per minute

MOTOR

Many Porter-Cable tools will operate on either D.C., or single phase 25 to 60 cycle A.C. current and voltage within plus or minus 5 percent of that shown on the specification plate on the tool. Several models, however, are designed for A.C. current only. Refer to the specification plate on your tool for proper voltage and current rating.

CAUTION: Do not operate your tool on a current on which the voltage is not within correct limits. Do not operate tools rated A.C. only on D.C. current. To do so may seriously damage the tool.

EXTENSION CORD SELECTION

If an extension cord is used, make sure the conductor size is large enough to prevent excessive voltage drop which will cause loss of power and possible motor damage. A table of recommended extension cord sizes will be found in this section. This table is based on limiting line voltage drop to 5 volts (10 volts for 230 volts) at 150% of rated amperes.

If an extension cord is to be used outdoors it must be marked with the suffix W-A following the cord type designation. For example – SJTW-A to indicate it is acceptable for outdoor use.

RECOMMENDED EXTENSION CORD SIZES FOR USE WITH PORTABLE ELECTRIC TOOLS

		Length of Cord in Feet									
		115V	25 Ft.	50 Ft.	100 Ft.	150 Ft.	200 Ft.	250 Ft.	300 Ft.	400 Ft.	500 Ft.
Nameplate Ampere Rating	230V	50 Ft.	100 Ft.	200 Ft.	300 Ft.	400 Ft.	500 Ft.	600 Ft.	800 Ft.	1000 Ft.	
	0-2	18	18	18	16	16	14	14	12	12	
	2-3	18	18	16	14	14	12	12	10	10	
	3-4	18	18	16	14	12	12	10	10	8	
	4-5	18	18	14	12	12	10	10	8	8	
	5-6	18	16	14	12	10	10	8	8	6	
	6-8	18	16	12	10	10	8	6	6	6	
	8-10	18	14	12	10	8	8	6	6	4	
	10-12	16	14	10	8	8	6	6	4	4	
	12-14	16	12	10	8	6	6	6	4	2	
	14-16	16	12	10	8	6	6	4	4	2	
	16-18	14	12	8	8	6	4	4	2	2	
	18-20	14	12	8	6	6	4	4	2	2	

FUNCTIONAL DESCRIPTION

FOREWORD

The Porter-Cable Polisher is designed for buffing, polishing, rubbing and general cleaning jobs.

TO START AND STOP THE MACHINE

CAUTION: Make sure switch is OFF and power circuit voltage is the same as that shown on the specification plate.

1. Connect machine to power circuit.
2. Grip machine firmly to resist starting torque.
3. To START Polisher: depress switch lock button (A) Fig. 1, as you squeeze the paddle switch (B) Fig. 1. When motor starts, release lock button.
4. To STOP Polisher: release the paddle switch.
5. SWITCH LOCK: the switch may be locked in the ON position as follows: with motor running, depress switch lock button (A) Fig. 1, and hold while releasing the paddle switch (B) Fig. 1. Release lock button. To release the lock and STOP the motor: squeeze the paddle switch and release, while leaving lock button free to spring outward.

CAUTION: ALWAYS ALLOW MACHINE SPINDLE TO STOP ROTATING BEFORE LAYING MACHINE DOWN.

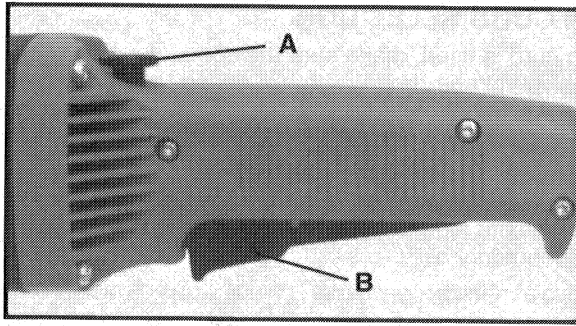


Fig. 1

VARIABLE SPEED

Speed is adjusted by turning the thumbwheel (A) Fig. 2. Thumbwheel position #1 provides the slowest operating speed (1000 RPM) and position #6 the fastest (3000 RPM). Speed may be changed while motor is running or while it is stopped.

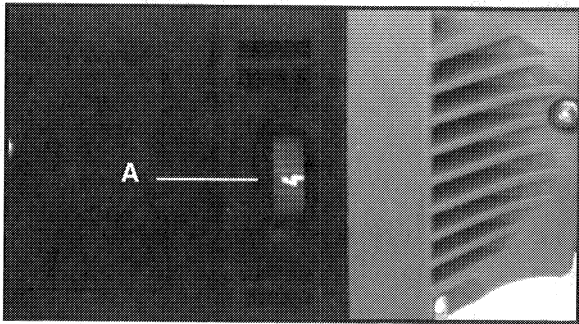


Fig. 2

ASSEMBLY

TO INSTALL AUXILIARY HANDLE

An auxiliary handle (H), Fig. 3, is furnished with your machine and can be installed on either side or the top of the front housing. This handle **SHOULD BE USED AT ALL TIMES** to maintain complete control of the machine.

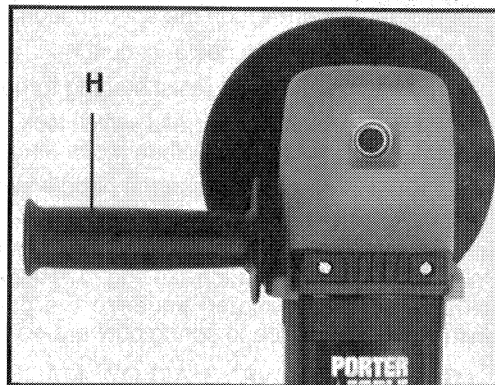


Fig. 3

TO INSTALL POLISHING PAD AND BONNET

The Porter-Cable Polisher is equipped with a wrenchless type backup pad and retaining nut. No wrenches are required for installation or removal of these accessories.

1. **CAUTION: DISCONNECT MACHINE FROM POWER SOURCE.**
2. Place washer "E" (see Fig. 4), onto spindle "D".
3. Depress spindle lock pin "F" (see Fig. 4), and place backup pad "C", onto spindle "D".
4. Place retaining nut "A" (see Fig. 4), through hole in a lamb's wool polishing pad "B" (available at most dealers), and rotate clockwise onto spindle until it seats. Normal operation of the polisher will tighten the polishing pad.
5. To REMOVE Polishing Pad:

CAUTION: DISCONNECT MACHINE FROM POWER SOURCE.

Depress spindle lock pin "F" (see Fig. 4), and hold. Grasp edge of polishing pad and backup disc firmly, rotate counterclockwise to remove.

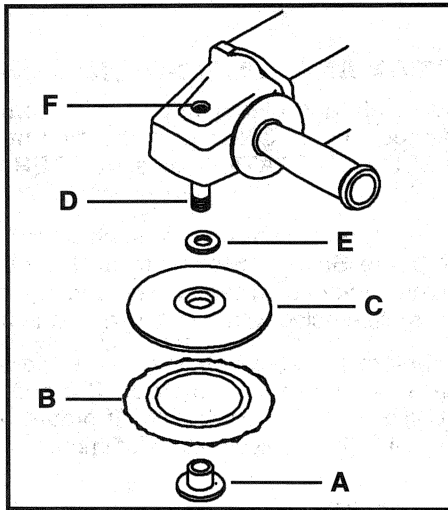


Fig. 4

OPERATION

USING POLISHER

1. If item to be polished is light enough to be moved by the rotating bonnet, it should be securely anchored to prevent possible bodily injury.
2. Hold polisher firmly by the rear and auxiliary handles, making sure bonnet is clear of work and foreign objects. Start polisher and lower at an angle so that approximately one half, or slightly less, of the bonnet contacts the work.
3. Move polisher in long continuous sweeping strokes. **DO NOT HOLD POLISHER IN ONE SPOT** as this will create additional heat and possibly damage the surface being polished.
4. Lift polisher from work before turning motor OFF.
5. Always allow spindle to stop rotating before laying machine down.

MAINTENANCE

KEEP TOOL CLEAN

Periodically blow out all air passages with dry compressed air. All plastic parts should be cleaned with a soft damp cloth. NEVER use solvents to clean plastic parts. They could possibly dissolve or otherwise damage the material.

CAUTION: Wear safety glasses while using compressed air.

FAILURE TO START

Should your tool fail to start, check to make sure the prongs on the cord plug are making good contact in the outlet. Also, check for blown fuses or open circuit breakers in the line.

LUBRICATION

This tool has been lubricated with a sufficient amount of high grade lubricant for the life of the unit under normal operating conditions. No further lubrication is necessary.

BRUSH INSPECTION AND LUBRICATION

For your continued safety and electrical protection, brush inspection and replacement on this tool should ONLY be performed by an AUTHORIZED PORTER-CABLE SERVICE STATION or a PORTER-CABLE SERVICE CENTER.

At approximately 100 hours of use, take or send your tool to your nearest Authorized Porter-Cable Service Station to be thoroughly cleaned and inspected; worn parts replaced, when necessary; relubricated with fresh lubricant, if required; reassembled with new brushes; and performance tested.

Any loss of power before the above maintenance check may indicate the need for immediate servicing of your tool. DO NOT CONTINUE TO OPERATE TOOL UNDER THIS CONDITION. If proper operating voltage is present, return your tool to the service station for immediate service.

SERVICE AND REPAIRS

All quality tools will eventually require servicing or replacement of parts due to wear from normal use. These operations, including brush inspection and replacement, should ONLY be performed by either an AUTHORIZED PORTER-CABLE SERVICE STATION or a PORTER-CABLE SERVICE CENTER. All repairs made by these agencies are fully guaranteed against defective material and workmanship. We cannot guarantee repairs made or attempted by anyone other than these agencies.

Should you have any questions about your tool, feel free to write us at any time. In any communications, please give all information shown on the nameplate of your tool (model number, type, serial number, etc.).

ACCESSORIES

For safest operation, it is recommended that only these accessories be used with this product.

WARNING: Do not use accessories other than those shown in chart. Use of such accessories could be hazardous.

54740	Hook and Loop Backup Pad
54741	Hook and Loop Polishing Bonnet
54742	Hook and Loop Compounding Bonnet
889195	Rubber Backup Pad
889194	Retaining Nut (use with 55748)

PORTER-CABLE LIMITED ONE YEAR WARRANTY

Porter-Cable warrants its Professional Power Tools for a period of one year from the date of original purchase. We will repair or replace at our option, any part or parts of the product and accessories covered under this warranty which, after examination, proves to be defective in workmanship or material during the warranty period. For repair or replacement return the complete tool or accessory, transportation prepaid, to your nearest Porter-Cable Service Center or Authorized Service Station. Proof of purchase may be required. This warranty does not apply to repair or replacement required due to misuse, abuse, normal wear and tear or repairs attempted or made by other than our Service Centers or Authorized Service Stations.

ANY IMPLIED WARRANTY, INCLUDING THE IMPLIED WARRANTIES OF MERCHANTABILITY AND FITNESS FOR A PARTICULAR PURPOSE, WILL LAST ONLY FOR ONE (1) YEAR FROM THE DATE OF PURCHASE.

To obtain information on warranty performance please write to: PORTER-CABLE CORPORATION, 4825 Highway 45 North, P.O. Box 2468, Jackson, Tennessee 38302-2468; Attention: Product Service. THE FOREGOING OBLIGATION IS PORTER-CABLE'S SOLE LIABILITY UNDER THIS OR ANY IMPLIED WARRANTY AND UNDER NO CIRCUMSTANCES SHALL PORTER-CABLE BE LIABLE FOR ANY INCIDENTAL OR CONSEQUENTIAL DAMAGES. Some states do not allow limitations on how long an implied warranty lasts or the exclusion or limitation of incidental or consequential damages, so the above limitation or exclusion may not apply to you.

This warranty gives you specific legal rights and you may also have other legal rights which vary from state to state.

Manual de
Instrucciones

Pulidora de Disco
con Aislamiento Doble



MODELO
7420

IMPORTANTE

Asegúrese de que la persona que va a usar esta herramienta lea cuidadosamente y comprenda estas instrucciones antes de empezar a operarla.

La placa de Modelo y de Número de Serie está localizada en la caja principal de la herramienta. Anote estos números en las líneas de abajo y guárdelos para su referencia en el futuro.

Número de modelo _____

Tipo _____

Número de serie _____

Número de parte 889268-999

Para obtener más información
sobre Porter-Cable,
visite nuestro sitio web en:

<http://www.porter-cable.com>

PORTER-CABLE
PROFESSIONAL POWER TOOLS

NORMAS DE SEGURIDAD GENERALES

ADVERTENCIA: lea y comprenda todas las siguientes instrucciones. El no seguir las siguientes instrucciones puede resultar en un choque eléctrico, en un incendio y/o en una herida personal.

GUARDE ESTAS INSTRUCCIONES

EL ÁREA DE TRABAJO

1. **Mantenga su espacio de trabajo limpio y bien iluminado.** Los bancos desordenados y las áreas oscuras invitan las heridas.
2. **No opera las herramientas eléctricas en un ambiente explosivo, como en la presencia de los líquidos inflamables, los gases inflamables o el polvo inflamable.** Las herramientas eléctricas crean chispas que pueden encender el polvo o los vapores.
3. **No admita a los espectadores, a los niños ni a los visitantes cuando esté operando una herramienta eléctrica.** La distracción le puede causar perder el control.

LA SEGURIDAD ELÉCTRICA

1. **Las herramientas con aislamiento doble vienen con una clavija (enchufe) polarizada (un conector es más ancho que el otro.) Esta clavija se conectará a un tomacorriente polarizado de una sola manera. Si la clavija no entra bien en el tomacorriente, invierta la clavija. Si todavía no entra, comuníquese con un electricista cualificado para que le instale un tomacorriente polarizado. No cambie la clavija de ninguna manera.** El aislamiento doble elimina la necesidad de tener un cable de tres alambres y de tener un sistema de potencia con conexión a tierra.
2. **Evite el contacto con las superficies que tiene conexión a tierra como la tubería, los radiadores, las estufas y los refrigeradores.** Si su cuerpo tiene una conexión a tierra aumenta la posibilidad de que usted reciba un choque eléctrico.
3. **No exponga la herramienta eléctrica a la lluvia ni a las condiciones mojadas.** La entrada del agua a la herramienta aumenta la posibilidad de que usted reciba un choque eléctrico.
4. **No maltrate el cable. Nunca lleve la herramienta por el cable eléctrico ni lo desconecte de un tirón del tomacorriente. No deje que el cable eléctrico se acerque a lo caliente, al aceite ni a las superficies filosas. Mandé reemplazar inmediatamente los cables eléctricos.** Los cables eléctricos dañados aumentan la posibilidad de que reciba un choque eléctrico.
5. **Cuando use una herramienta afuera, use un cable de servicio marcado con «W-A» o con «W».** Estos cables están fabricados para usarse afuera y reducen el riesgo de un choque eléctrico.

LA SEGURIDAD PERSONAL

1. **Manténgase alerta; preste atención a lo que esté haciendo y proceda lógicamente cuando opere una herramienta eléctrica. No use la herramienta cuando esté cansado ni bajo la influencia de medicación, alcohol o drogas.** Un momento de inatención cuando esté usando una herramienta eléctrica puede resultar en una grave herida personal.
2. **Vístase apropiadamente. No lleve ropa suelta ni alhajas. Mantenga el pelo sujetado. Mantenga el pelo, la ropa y los guantes libres de las partes móviles.** La ropa suelta, las alhajas o el pelo largo puede engancharse en las partes móviles.

3. **Evite una marcha accidental. Asegúrese de que el interruptor esté en la posición apagada antes de enchufar la herramienta.** El llevar las herramientas con el dedo en el interruptor o el enchufar la herramienta con el interruptor prendido invita los accidentes.
4. **Quite las llaves de ajuste y los interruptores antes de poner la herramienta en marcha.** Una llave que se quede en una parte giratoria de la herramienta puede causar una herida personal.
5. **No sobrealcance. Siempre mantenga buen equilibrio.** El buen equilibrio ayuda a controlar mejor la herramienta durante las situaciones inesperadas.
6. **Use los equipos de seguridad. Siempre use la protección de los ojos.** Tiene que usar la máscara contra el polvo, el calzado antideslizante y/o el casco protector para las condiciones apropiadas.

EL USO Y LA PROTECCIÓN DE LA HERRAMIENTA

1. **Use abrazaderas o de otra manera asegure y apoye la pieza en elaboración a una plataforma estable.** El detener la pieza con la mano o contra el cuerpo no es estable y puede causar la pérdida de control.
2. **No debe forzar la herramienta. Use la herramienta apropiada para su aplicación.** La herramienta apropiada hará el trabajo mejor y con más seguridad a la velocidad para la cual fue diseñada.
3. **No use la herramienta si el interruptor no la pone en marcha o no la apaga.** Una herramienta que no se puede controlar con el interruptor es peligrosa y tiene que repararse.
4. **Desenchufe la herramienta antes de ajustarla, de cambiarle los accesorios o de guardarla.** Tales medidas de seguridad reducen el riesgo de un arranque accidental.
5. **Guarde las herramientas desocupadas fuera del alcance de los niños y de otras personas no cualificadas.** Las herramientas son peligrosas en las manos del usuario que no esté cualificado.
6. **Mantenga las herramientas con cuidado. Mantenga los cuchillos filosos y limpios.** Las herramientas que se cuiden adecuadamente y que tengan los cuchillos filosos tienen menos tendencia de atascarse y son más fáciles de controlar.
7. **Verifique que no haya ningún desalineamiento o atascamiento de las partes movibles, la rotura de partes u otra condición que pueda afectar el funcionamiento de la herramienta. Si está dañada, mándela componer antes de usarla.** Muchos accidentes son causados por las herramientas que no se mantienen bien.
8. **Use sólo los accesorios recomendados por el fabricante de su modelo.** Los accesorios que puedan ser adecuados para una herramienta pueden crear el riesgo de herida cuando se usan con otra herramienta.






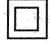


SERVICIO

1. **Sólo las personas cualificadas para repararla pueden componer esta herramienta.** El servicio o el mantenimiento hecho por las personas no cualificadas puede resultar en el riesgo de herida.
2. **Para mantener una herramienta, use las partes de reemplazo idénticas. Siga las instrucciones de la sección de Mantenimiento de este manual.** El uso de las partes no autorizadas o el no seguir las Instrucciones de Mantenimiento puede crear el riesgo de choque o de herida.

NORMAS DE SEGURIDAD ESPECÍFICAS Y SÍMBOLOS

1. **Siempre use el protector (guarda) con la rueda de amolar.** Un protector protege al usuario de los pedazos de rueda que puedan quebrarse.
2. **Los accesorios tienen que tener un régimen que es igual a (o que sobrepasa) el indicado en la placa de advertencias de la herramienta.** Las ruedas y los otros accesorios que funcionan a una velocidad que sobrepasa su velocidad de régimen pueden quebrarse y causar una herida.
3. **Detenga la herramienta por las superficies aisladas para hacer una operación donde el cuchillo de la herramienta pueda tocar un alambre escondido o su propio cable.** El contacto con un alambre cargado «vivo» también cargará a las partes metálicas y le dará un choque al usuario.
4. **ADVERTENCIA:** Hay ciertas aplicaciones para las cuales esta herramienta fue diseñada. Porter-Cable recomienda enfáticamente que esta herramienta NO SEA modificada ni usada para trabajos para los cuales no fue diseñada. Si tiene alguna pregunta relativa a su aplicación, NO USE la herramienta hasta que nos haya escrito a Porter-Cable y le hayamos aconsejado.

Technical Service Manager
Porter-Cable Corporation
4825 Highway 45 North
P. O. Box 2468
Jackson, TN 38302-2468

SÍMBOLO	DEFINICIÓN
V	voltio
A	amperios
Hz	hertzio
W	vatio (watts)
kW	kilovatio (kilowatts)
μF	microfaradios
l	litros
kg	kilogramas
N/cm ²	neutnios por centímetro cuadrado
Pa	Pascal
h	horas
min	minutos
s	segundos
	corriente alterna
3 	corriente alterna de tres fases
3N 	corriente alterna de tres fases con neutral
	corriente continua (directa)
n ₀	velocidad sin carga
	corriente alterna o continua
	Construcción de Clase II
	construcción a prueba de salpicaduras
	construcción hermética
... /min	revoluciones o carreras por minuto

MOTOR

Muchas herramientas de Porter-Cable funcionarán con corriente continua o monofásica de 25 a 60 Hz corriente alterna y con un voltaje entre más o menos el 5 por ciento de lo indicado en la placa de especificaciones de la herramienta. Varios modelos son diseñados solamente para usar con corriente alterna. Refiérase a la placa de especificaciones de su herramienta para informarse del voltaje correcto y de la capacidad normal de la corriente.

PRECAUCIÓN: No use su herramienta con una corriente en la cual el voltaje no esté entre los límites correctos. No use herramientas de un régimen de corriente alterna con corriente continua. El hacerlo puede dañar seriamente su herramienta.

SELECCIÓN DE CABLES DE SERVICIO

Si se usa un cable de servicio, verifique que el tamaño del conductor sea bastante grande para prevenir una disminución excesiva de voltaje que cause una pérdida de potencia y posiblemente dañe el motor. Una guía de tamaños de cables de servicio recomendados se encuentra en esta sección. Esta guía se basa en la limitación de pérdida de voltaje a 5 voltios (10 voltios en el caso de 230 voltios) a 150% de la capacidad normal de amperios.

Si un cable de servicio se usará afuera, tendrá que ser marcado con el sufijo W-A siguiendo la designación del tipo de cable. Por ejemplo SJTW-A que indica que es aceptable para uso afuera (al aire libre).

TAMAÑOS DE CABLES DE SERVICIO RECOMENDADOS
PARA USO CON HERRAMIENTAS ELÉCTRICAS PORTÁTILES

		Longitud del cordón en pies									
		115V	25 pies	50 pies	100 pies	150 pies	200 pies	250 pies	300 pies	400 pies	500 pies
		230V	50 pies	100 pies	200 pies	300 pies	400 pies	500 pies	600 pies	800 pies	1000 pies
Capacidad nominal en amperios	0-2	18	18	18	16	16	16	14	14	12	12
	2-3	18	18	16	14	14	14	12	12	10	10
	3-4	18	18	16	14	14	12	12	10	10	8
	4-5	18	18	14	12	12	12	10	10	8	8
	5-6	18	16	14	12	10	10	10	8	8	6
	6-8	18	16	12	10	10	8	8	6	6	6
	8-10	18	14	12	10	8	8	8	6	6	4
	10-12	16	14	10	8	8	6	6	6	4	4
	12-14	16	12	10	8	8	6	6	6	4	2
	14-16	16	12	10	8	8	6	6	4	4	2
16-18	14	12	8	8	6	6	4	4	2	2	
18-20	14	12	8	6	6	6	4	4	2	2	

DESCRIPCION FUNCIONAL

PRÓLOGO

La pulidora de Porter-Cable está diseñada para trabajos de bruñido, pulido, frotamiento y limpieza general.

PARA PONER LA MÁQUINA EN MARCHA Y PARARLA

PRECAUCIÓN: Asegúrese de que el interrupter esté apagado, "OFF", y que el voltaje del circuito sea el mismo que el de la placa de especificaciones.

1. Enchufe la herramienta al circuito eléctrico.
2. Agarre la máquina bien para resistir la torsión inicial del arranque.
3. Para PONER EN MARCHA la pulidora: oprima el botón de fijación del interruptor (A), Fig. 1, mientras aprieta el interruptor de paleta (B), Fig. 1. Cuando el motor arranque, suelte el botón de fijación.
4. Para DETENER la pulidora: suelte el interruptor de paleta.
5. FIJACIÓN DEL INTERRUPTOR: el interruptor puede fijarse en la posición de ENCENDIDO de la manera siguiente: con el motor en marcha, oprima el botón de fijación del interruptor (A), Fig. 1, y manténgalo oprimido mientras suelta el interruptor de paleta (B), Fig. 1. Suelte el botón de fijación. Para soltar el cierre y DETENER el motor: apriete el interruptor de paleta y suéltelo mientras deja libre el botón de fijación para que salte hacia afuera como un resorte.

PRECAUCIÓN: DEJE SIEMPRE QUE EL HUSILLO DE LA MÁQUINA CESE DE GIRAR ANTES DE PONER LA MÁQUINA EN ALGÚN LUGAR.

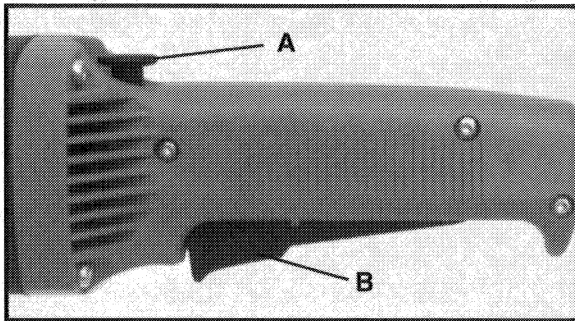


Fig. 1

VELOCIDAD VARIABLE

La velocidad se ajusta girando la rueda de accionamiento con el pulgar (A), Fig. 2. La posición No. 1 de dicha rueda proporciona la velocidad de funcionamiento más lenta (1000 RPM) y la posición No. 6 la más rápida (3000 RPM). La velocidad puede cambiarse mientras el motor está en marcha o mientras está parado.

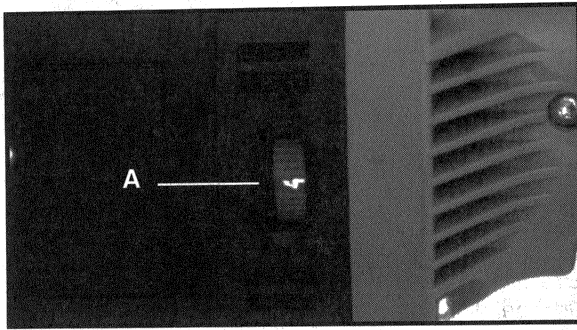


Fig. 2

MONTAJE

PARA INSTALAR LA AGARRADERA AUXILIAR

Una agarradera (mango) auxiliar (H), Fig. 3 está incluida con su herramienta que puede instalarse a cualquier lado o encima de la caja delantera. Esta agarradera DEBE USARSE TODO EL TIEMPO para mantener el control completo de la máquina.

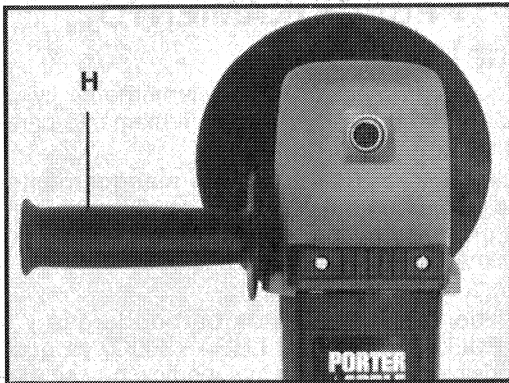


Fig. 3

INSTALACIÓN DEL COJÍN DE PULIR y EL BONETE DE PULIR

La pulidora de Porter-Cable está equipada con un cojín de refuerzo de tipo de apriete sin llave y una tuerca de retención. No se necesitan llaves de tuerca para instalar o quitar estos accesorios.

1. **PRECAUCIÓN:** DESCONECTE LA MÁQUINA DE LA FUENTE DE ALIMENTACIÓN.
2. Coloque la arandela "E" (ver la Fig. 4) en el husillo "D".
3. Oprima el pasador de fijación del husillo "F" (ver la Fig. 4) y coloque el cojín de refuerzo "C" en el husillo "D".
4. Coloque la tuerca de retención "A" (ver la Fig. 4) a través del agujero del cojín de pulir de lana de cordero "B" (disponible a través de casi todos los distribuidores) y gírela en el sentido de las agujas del reloj en el husillo hasta que se asiente. El funcionamiento normal de la pulidora apretará el cojín de pulir.

5. REMOCIÓN del cojín de pulir:

PRECAUCIÓN: DESCONECTE LA MÁQUINA DE LA FUENTE DE ALIMENTACIÓN.

Oprima el pasador de fijación del husillo "F" (ver la Fig. 4) y manténgalo oprimido. Agarre firmemente el borde del cojín de pulir y del disco de refuerzo, y gire en sentido contrario al de las agujas del reloj para quitarlo.

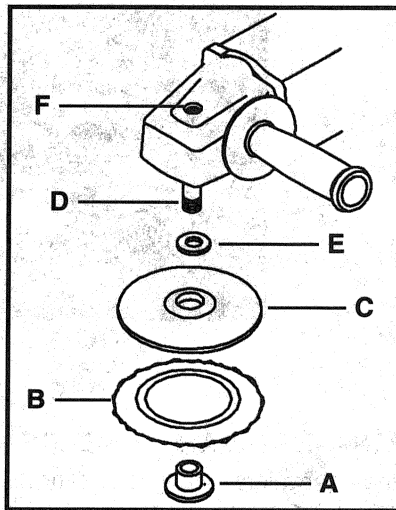


Fig. 4

FUNCIONAMIENTO

UTILIZACIÓN DE LA PULIDORA

1. Si el objeto que se va a pulir es suficientemente liviano para que el bonete que gira pueda moverlo, debe fijarse firmemente para evitar posibles lesiones corporales.
2. Sujete la pulidora firmemente por los mangos posterior y auxiliar, asegurándose de que el bonete no toque la pieza de trabajo ni objetos extraños. Ponga en marcha la pulidora y bájela formando un ángulo de manera que aproximadamente la mitad o un poco menos del bonete entre en contacto con la pieza de trabajo.
3. Mueva la pulidora en pasadas de barrido largas y continuas. NO SOSTENGA LA PULIDORA EN UN LUGAR FIJO, ya que esto generará calor adicional y posiblemente dañará la superficie que se esté puliendo.
4. Levante la pulidora de la pieza de trabajo antes de apagar el motor.
5. Deje siempre que el husillo cese de girar antes de poner la máquina en algún lugar.

MANTENIMIENTO

MANTENGA LAS HERRAMIENTAS LIMPIAS

Periódicamente sople todos los conductos de ventilación con aire seco a presión. Todas las partes de plástico deben ser limpiadas con una tela suave y húmeda. NUNCA use solventes para limpiar las partes de plástico. Es posible que puedan disolver o de otra manera dañar el material.

PRECAUCIÓN: Use anteojos de seguridad cuando use aire a presión.

FALLA DE PONERSE EN MARCHA

Si su herramienta falla de ponerse en marcha, revísela para asegurarse de que los contactos de la clavija estén en buen contacto con el tomacorriente. También, vea si hay fusibles fundidos o ruptores abiertos en el circuito.

LUBRICACIÓN

Esta herramienta ha sido lubricada con suficiente lubricante de alta calidad para la vida de la máquina bajo condiciones de uso normal. La lubricación adicional no es necesaria.

INSPECCIÓN DE ESCOBILLAS (Carbones) y LUBRICACIÓN

Para su seguridad continua y protección contra el choque eléctrico, la inspección de escobillas y cualquier reemplazo en esta herramienta deben hacerse SOLAMENTE en una ESTACIÓN DE SERVICIO AUTORIZADO POR PORTER-CABLE o en un CENTRO DE SERVICIO DE PORTER-CABLE.

Después de aproximadamente 100 horas de uso, lleve o mande su herramienta a la Estación de Servicio Autorizado por Porter-Cable más cercana para limpiarla a fondo y revisarla; para reemplazar partes gastadas, cuando sea necesario; para relubricarla de nuevo, si es requerido; para reensamblarla con escobillas nuevas; y para revisar su rendimiento.

Cualquier pérdida de potencia antes de la inspección de arriba puede indicar que su herramienta necesite servicio inmediato. NO CONTINÚE EL USO DE LA HERRAMIENTA BAJO ESTA CONDICIÓN. Si el voltaje de la fuente de electricidad está correcto, devuelva su herramienta a la Estación de Servicio para obtener servicio inmediato.

SERVICIO Y REPARACIONES

Toda herramienta de calidad eventualmente necesitará servicio o reemplazo de partes gastadas debido al uso normal. Estas operaciones, que incluyen la inspección y el reemplazo de escobillas, deben hacerse ÚNICAMENTE en una ESTACIÓN DE SERVICIO AUTORIZADO POR PORTER-CABLE o en un CENTRO DE SERVICIO DE PORTER-CABLE. Toda reparación hecha por estas agencias está completamente garantizada contra material y hechura defectuosa. No podemos garantizar reparaciones hechas o intentadas por ninguna otra agencia. Si usted tiene alguna pregunta acerca de su herramienta, haga el favor de escribirnos cuando quiera. En toda comunicación, por favor escriba toda la información dada en la place de su herramienta (número de model, tipo, número de serie, etc.).

ACCESORIOS

Para que el funcionamiento sea lo más seguro posible, se recomienda que sólo se utilicen estos accesorios con este producto.

ADVERTENCIA: No use accesorios que no sean los que se indican en el cuadro. La utilización de dichos accesorios podría ser peligrosa.

- | | |
|---------------|----------------------------------------|
| 54740 | Cojín de refuerzo de anillo y gancho |
| 54741 | Bonete de pulir de anillo y gancho |
| 54742 | Bonete aplicador de anillo y gancho |
| 889195 | Cojín de refuerzo de goma |
| 889194 | Tuerca de retención (usarla con 55748) |

PÓLIZA DE GARANTÍA DE 1 AÑO DE PORTER-CABLE

La Compañía de Porter-Cable garantiza sus herramientas eléctricas por un período de un año a partir de la fecha original de compra. Porter-Cable reparará o reemplazará – según se deba – cualquier parte o partes de la herramienta o accesorios protegidos bajo esta garantía que demuestren cualquier defecto en los materiales o mano de obra durante el período de la garantía. Para reparación o reemplazo, devuelva la herramienta o accesorio completo, pagando con antelación el precio de transporte, al Centro de Servicio de Porter-Cable o Estación de Servicio Autorizado más cercana. Puede ser que requiera prueba de compra. Esta garantía no es válida en caso del mal uso, el abuso o el desgaste normal de la herramienta así como reparaciones efectuadas o intentadas por otros medios que no sean los de los Centros de Servicio de Porter-Cable o de las Estaciones de Servicio Autorizado por Porter-Cable.

CUALQUIER GARANTÍA IMPLICADA, INCLUSO LAS GARANTÍAS DE MERCADERÍA Y APTITUD PARA PROPÓSITOS ESPECIALES O PARTICULARES, DURARÁN POR SÓLO UN (1) AÑO A PARTIR DE LA FECHA DE COMPRA.

Para obtener información de la garantía de desempeño haga el favor de escribir a Porter-Cable Corporation, 4825 Highway 45 North, P. O. Box 2468, Jackson, Tennessee 38302-2468; Attention: Product Service. LA OBLIGACIÓN ANTERIORMENTE MENCIONADA ES AL ÚNICA RESPONSABILIDAD DE PORTER-CABLE BAJO ESTA O CUALQUIER GARANTÍA IMPLICADA. PORTER-CABLE DE NINGUNA MANERA SERÁ RESPONSABLE POR NINGÚN DAÑO INCIDENTAL O CONSECUENTE. Algunos estados no permiten limitaciones de tiempo de garantías implicadas ni la exclusión o la limitación de daños incidentales o consecuentes, así es que hay una posibilidad que la limitación o la exclusión no le aplique a usted.

La garantía le da a usted unos derechos especificados y legales. Puede ser que usted tenga también otros derechos legales los cuales varían de un estado a otro.

PRODUCTO _____

MODELO _____ No. DE SERIE _____

DISTRIBUIDOR _____

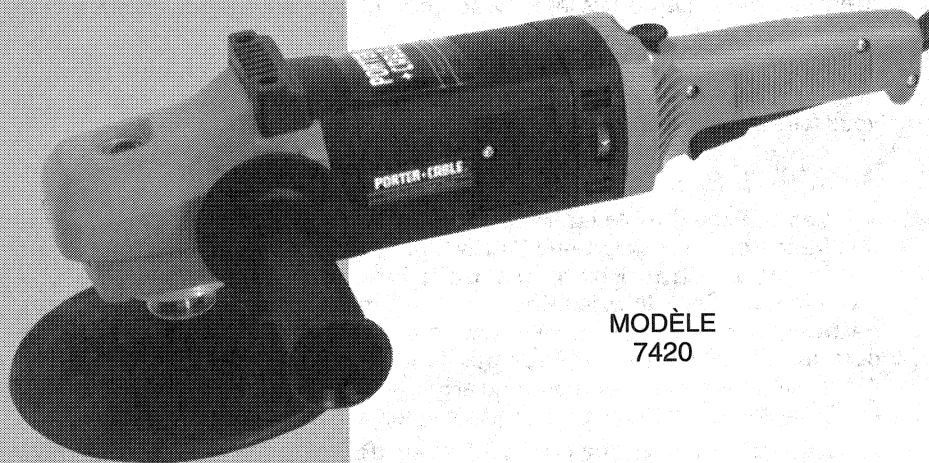
TELÉFONO _____

FECHA DE ENTREGA ____/____/19____

FIRMA/SELLO _____

Manuel
d'utilisation

Polisseuse à Disque
Émerisé Doublement
Isolé



MODÈLE
7420

AVIS IMPORTANT

Assurez-vous que toute personne utilisant ce matériel a préalablement lu avec attention et compris les instructions contenues dans ce mode d'emploi avant de commencer à utiliser ce matériel.

Une plaque de fabricant portant le modèle et le numéro de série de cet outil se trouve sur le boîtier principal. Notez ces numéros dans les espaces fournis ci-dessous et conservez-les soigneusement.

Modèle : _____

Type : _____

Numéro de série : _____

Numéro de la pièce 889268-99

Pour de plus amples renseignements concernant Porter-Cable, consultez notre Website à l'adresse suivante :

<http://www.porter-cable.com>

PORTER-CABLE
PROFESSIONAL POWER TOOLS

RÈGLES DE SÉCURITÉ GÉNÉRALES

AVERTISSEMENT! Vous devez lire et comprendre toutes les instructions.

Le non-respect, même partiel, des instructions ci-après entraîne un risque de choc électrique, d'incendie et/ou de blessures graves.

CONSERVEZ CES INSTRUCTIONS

AIRE DE TRAVAIL

1. **Veillez à ce que l'aire de travail soit propre et bien éclairée.** Le désordre et le manque de lumière favorisent les accidents.
2. **N'utilisez pas d'outils électriques dans une atmosphère explosive, par exemple en présence de liquides, de gaz ou de poussières inflammables.** Les outils électriques créent des étincelles qui pourraient enflammer les poussières ou les vapeurs.
3. **Tenez à distance les curieux, les enfants et les visiteurs pendant que vous travaillez avec un outil électrique.** Ils pourraient vous distraire et vous faire faire une fausse manoeuvre.

SÉCURITÉ ÉLECTRIQUE

1. **Les outils à double isolation sont équipés d'une fiche polarisée (une des lames est plus large que l'autre), qui ne peut se brancher que d'une seule façon dans une prise polarisée. Si la fiche n'entre pas parfaitement dans la prise, inversez sa position; si elle n'entre toujours pas bien, demandez à un électricien qualifié d'installer une prise de courant polarisée. Ne modifiez pas la fiche de l'outil.** La double isolation élimine le besoin d'un cordon d'alimentation à trois fils avec mise à terre ainsi que d'une prise de courant mise à la terre.
2. **Évitez tout contact corporel avec de surfaces mises à la terre (tuauterie, radiateur, cuisinières, réfrigérateurs, etc.)** Le risque de choc électrique est plus grand si votre corps est en contact avec la terre.
3. **N'exposez pas les outils électriques à la pluie ou à l'eau.** La présence d'eau dans un outil électrique augmente le risque de choc électrique.
4. **Ne maltraitez pas le cordon. Ne transportez pas l'outil par son cordon. N'exposez pas le cordon à la chaleur, à des huiles, à des arêtes vives ou à des pièces en mouvement. Remplacez immédiatement un cordon endommagé.** Un cordon endommagé peut constituer un risque d'incendie.
5. **Lorsque vous utilisez un outil électrique à l'extérieur, employez un prologateur pour l'extérieur marqué «W-A» ou «W».** Ces cordons sont faits pour être utilisés à l'extérieur et réduisent le risque of choc électrique.

SÉCURITÉ DES PERSONNES

1. **Restez alerte, concentrez-vous sur votre travail et faites preuve de jugement. N'utilisez pas un outil électrique si vous êtes fatigué ou sous l'influence de drogues, d'alcool ou de médicaments.** Un instant d'inattention suffit pour entraîner des blessures graves.
2. **Habillez-vous convenablement. Ne portez ni vêtements flottants ni bijoux. Confinez les cheveux longs. N'approchez jamais les cheveux, les vêtements ou les gants des pièces en mouvement.** Des vêtements flottants, des bijoux ou des cheveux longs risquent d'être happés par des pièces en mouvement.

3. Méfiez-vous d'un démarrage accidentel. Avant d'insérer un bloc-batterie, assurez-vous que l'interrupteur de l'outil est sur ARRÊT. Le fait de transporter un outil avec le doigt sur la détente ou d'insérer un bloc-batterie alors que l'interrupteur est en position MARCHÉ peut mener tout droit à un accident.

4. Enlevez les clés de réglage ou de serrage avant de démarrer l'outil. Une clé laissée dans une pièce tournante de l'outil peut provoquer des blessures.

5. Ne vous penchez pas trop en avant. Maintenez un bon appui et restez en équilibre en tout temps. Une bonne stabilité vous permet de mieux réagir à une situation inattendue.

6. Utilisez des accessoires de sécurité. Portez toujours des lunettes ou une visière. Selon les conditions, portez aussi un masque antipoussière, des bottes de sécurité antidérapantes, un casque protecteur et/ou un appareil antibruit.

UTILISATION ET ENTRETIEN DES OUTILS

1. Immobilisez le matériau sur une surface stable au moyen de brides ou de toute autre façon adéquate. Le fait de tenir la pièce avec la main ou contre votre corps offre une stabilité insuffisante et peut amener un dérapage de l'outil.

2. Ne forcez pas l'outil. Utilisez l'outil approprié à la tâche. L'outil correct fonctionne mieux et de façon plus sécuritaire. Respectez aussi la vitesse de travail qui lui est propre.

3. N'utilisez pas un outil si son interrupteur est bloqué. Un outil que vous ne pouvez pas commander par son interrupteur est dangereux et doit être réparé.

4. Débranchez la fiche de l'outil avant d'effectuer un réglage, de changer d'accessoire ou de ranger l'outil. De telles mesures préventives de sécurité réduisent le risque de démarrage accidentel de l'outil.

5. Rangez les outils hors de la portée des enfants et d'autres personnes inexpérimentées. Les outils sont dangereux dans les mains d'utilisateurs novices.

6. Prenez soin de bien entretenir les outils. Les outils de coupe doivent être toujours bien affûtés et propres. Des outils bien entretenus, dont les arêtes sont bien tranchantes, sont moins susceptibles de coincer et plus faciles à diriger.

7. Soyez attentif à tout désalignement ou coincement des pièces en mouvement, à tout bris ou à toute autre condition préjudiciable au bon fonctionnement de l'outil. Si vous constatez qu'un outil est endommagé, faites-le réparer avant de vous en servir. De nombreux accidents sont causés par des outils en mauvais état.

8. N'utilisez que des accessoires que le fabricant recommande pour votre modèle d'outil. Certains accessoires peuvent convenir à un outil, mais être dangereux avec un autre.

RÉPARATION

1. La réparation des outils électriques doit être confiée à un réparateur qualifié. L'entretien ou la réparation d'un outil électrique par un amateur peut avoir des conséquences graves.

2. Pour la réparation d'un outil, n'employez que des pièces de rechange d'origine. Suivez les directives données à la section «Réparation» de ce manuel. L'emploi de pièces non autorisées ou le non-respect des instructions d'entretien peut créer un risque de choc électrique ou de blessures.

INSTRUCTIONS





1. Utilisez toujours un protecteur de meule approprié. Le protecteur arrête les éclates en cas de bris de la meule.

2. Les accessoires doivent être prévus pour au moins la vitesse recommandée sur l'étiquette de mise en garde de l'outil. Les meules et autres accessoires, s'ils tournent au-delà de la vitesse nominale, risquent d'éclater et de provoquer des blessures.

3. Tenez l'outil par ses surfaces de prise isolées pendant toute opération où l'outil de coupe pourrait venir en contact avec un câblage dissimulé. En cas de contact avec un conducteur sous tension, les pièces métalliques à découvert de l'outil transmettraient un choc électrique à l'utilisateur.

4. AVERTISSEMENT : Cet outil n'a été conçu que pour certaines applications. Porter-Cable recommande que cet outil ne soit ni modifié ni utilisé pour des applications pour lesquelles il n'a pas été conçu. Si vous avez des questions portant sur l'utilisation de cet outil, NE L'UTILISEZ PAS avant d'avoir pris contact Porter-Cable et nous avoir parlé.

Technical Service Manager
Porter-Cable Corporation
4825 Highway 45 North
P. O. Box 2468
Jackson, TN 38302-2468

SYMBOLE	DÉFINITION
V	volts
A	ampères
Hz	hertz
W	watts
kW	kilowatt
μF	microfarads
l	litres
kg	kilogramme
N/cm ²	newtons centimètre carré
Pa	pascals
h	heures
min	minutes
s	secondes
	courant alternatif
3 	courant alternatif tri-phasé
3N 	courant alternatif tri-phasé avec neutre
	courant continu (direct)
n ₀	vitesse sans charge



..... courant alternatif ou continu



..... Construction Classe II



..... construction résistante à l'éclaboussement



..... construction étanche à l'eau

... /min révolutions ou réciprocations par minute

MOTEUR

Un grand nombre d'outil fabriqués par Porter-Cable peuvent fonctionner soit sur courant continu soit sur un courant alternatif monophasique de 25 à 60 cycles avec un courant et un voltage qui se maintiendrait entre plus ou moins 5 pour cent de la valeur indiquée sur la plaquette de spécifications placée sur l'outil. Un certain nombre de modèles cependant ne peuvent uniquement fonctionner que sur courant alternatif. Référez-vous à la plaquette de spécifications placée sur l'outil en question afin de déterminer le voltage et le courant assignés.

ATTENTION : Ne faites pas fonctionner votre outil sur un courant qui ne serait pas dans les paramètres indiqués. Ne faites pas fonctionner des outils nécessitant du courant alternatif sur du courant continu sinon vous risquez de sérieusement endommagé votre outil.

SÉLECTION DU CORDON DE RALLONGE

S'il vous est nécessaire d'utilisez un cordon de rallonge, assurez vous que la taille du conducteur est assez élevé afin de prévenir un chute de tension excessive qui pourrait occasionner une perte de puissance ainsi que des dégâts au moteur. Vous trouverez un tableau indiquant les tailles appropriées pour les cordons de rallonge à la fin de cette section. Ce tableau est basé sur un calcul limitant les chutes de tension à 5 volts (10 volts pour 230 volts) à 150% de l'ampérage assigné.

Si vous utilisez un cordon de rallonge à l'extérieur, il doit nécessairement être marqué avec le suffixe W-A après le sigle désignant le type de cordon de rallonge. Ainsi le sigle SJTW-A indique que ce cordon peut être utilisé à l'extérieur.

TAILLES RECOMMANDÉES DES CORDONS DE RALLONGE POUR DES OUTILS ÉLECTRIQUES.

		Longueur du cordon en pieds									
		115V	25 pi.	50 pi.	100 pi.	150 pi.	200 pi.	250 pi.	300 pi.	400 pi.	500 pi.
		230V	50 pi.	100 pi.	200 pi.	300 pi.	400 pi.	500 pi.	600 pi.	800 pi.	1000 pi.
Valeur nominale en ampères sur la plaque signalétique	0-2	18	18	18	16	16	14	14	12	12	
	2-3	18	18	16	14	14	12	12	10	10	
	3-4	18	18	16	14	12	12	10	10	8	
	4-5	18	18	14	12	12	10	10	8	8	
	5-6	18	16	14	12	10	10	8	8	6	
	6-8	18	16	12	10	10	8	6	6	6	
	8-10	18	14	12	10	8	8	6	6	4	
	10-12	16	14	10	8	8	6	6	4	4	
	12-14	16	12	10	8	6	6	6	4	2	
	14-16	16	12	10	8	6	6	4	4	2	
16-18	14	12	8	8	6	4	4	2	2		
18-20	14	12	8	6	6	4	4	2	2		

DESCRIPTION DE FONCTIONNEMENT

AVANT-PROPOS

La polisseuse Porter-Cable est conçue pour les tâches de polissage, de frottage et de nettoyage général.

POUR FAIRE DÉMARRER ET POUR ARRÊTER L'OUTIL

ATTENTION : Assurez-vous que l'interrupteur soit bien engagé dans la position FERMÉE, "OFF", et que le voltage du circuit de puissance est similaire à celui indiqué sur la plaquette de spécifications.

1. Faites la connexion entre la machine et le circuit de puissance.
2. Maintenez fermement l'outil afin de pouvoir résister au torquage accompagnant la mise en marche.
3. Pour mettre la polisseuse en marche : appuyez sur le bouton de blocage de l'interrupteur (A) Fig. 1 tout en pressant l'interrupteur à palette (B) Fig. 1. Relâchez le bouton de blocage lorsque le moteur se met en marche.
4. Pour arrêter la polisseuse : relâchez l'interrupteur à palette.
5. **BLOCAGE DE L'INTERRUPTEUR** : l'interrupteur peut être bloqué en position de marche comme suit : avec le moteur en marche, appuyez sur le bouton de blocage de l'interrupteur (A) Fig. 1 et tenez-le tout en relâchant l'interrupteur à palette (B) Fig. 1. Relâchez le bouton de blocage. Pour relâcher le blocage et arrêter le moteur : pressez l'interrupteur à palette et relâchez tout en laissant le bouton de blocage libre de revenir à sa position extérieure.

MISE EN GARDE : LAISSEZ TOUJOURS L'AXE CESSER DE TOURNER AVANT DE DÉPOSER LA MACHINE.

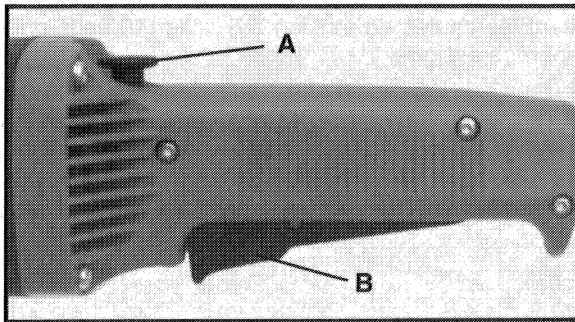


Fig. 1

VITESSE VARIABLE

La vitesse s'ajuste en tournant la molette (A) Fig. 2. La position 1 de la molette offre la vitesse de marche la plus lente (1000 tr/min) et la position 6 la plus rapide (3000 tr/min). La vitesse peut être changée pendant que le moteur tourne ou pendant qu'il est à l'arrêt.

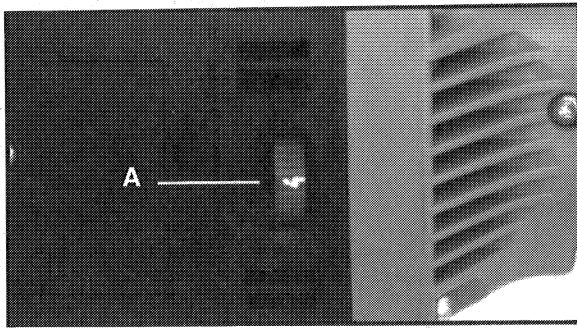


Fig. 2

ASSEMBLAGE

POUR INSTALLER LA POIGNÉE AUXILIAIRE

Une poignée auxiliaire (H) Fig. 3 est fournie avec votre outil et peut être installée soit sur un des deux côtés de l'outil soit sur le haut du boîtier avant. Cette poignée **DOIT TOUJOURS ÊTRE UTILISÉE** afin de vous permettre de contrôler parfaitement l'outil.

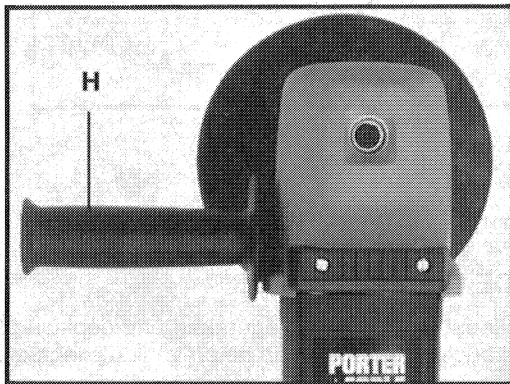


Fig. 3

POUR POSER LE DISQUE et LE BONNET DE POLISSAGE

La polisseuse Porter-Cable est pourvue d'un coussinet d'appui sans clé et d'un écrou de retenue. Aucune clé de serrage n'est requise pour la pose ou la dépose de ces accessoires.

1. **MISE EN GARDE : DÉBRANCHEZ LA MACHINE.**
2. Placez la rondelle « E » (voir Fig. 4) sur l'axe « D ».
3. Appuyez sur la cheville « F » de blocage d'axe (voir Fig. 4), et placez le coussinet d'appui « C » sur l'axe « D ».
4. Placez l'écrou de retenue « A » (voir Fig. 4) à travers le trou pratiqué dans le disque de polissage « B » en laine d'agneau (disponible chez la plupart des vendeurs), et tournez en sens horaire sur l'axe jusqu'à ce qu'il soit calé. Le disque de polissage se serrera sous l'effet du fonctionnement normal de la polisseuse.

5. POUR RETIRER le disque de polissage :

MISE EN GARDE : DÉBRANCHEZ LA MACHINE.

Appuyez sur la cheville « F » de blocage d'axe (voir Fig. 4) et tenez. Saisissez le bord du disque de polissage et du coussinet d'appui fermement, tournez en sens anti-horaire pour enlever.

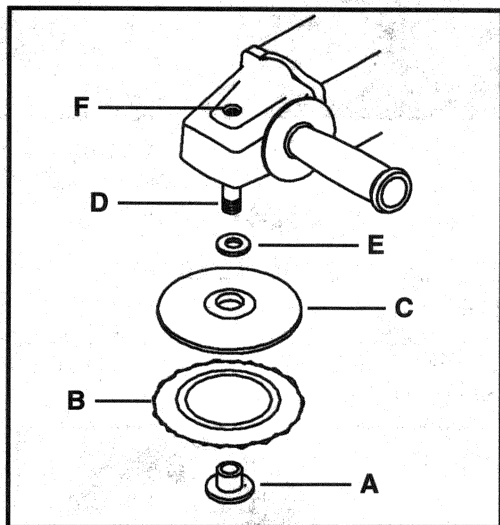


Fig. 4

UTILISATION

UTILISATION DE LA POLISSEUSE

1. Si l'objet à polir est suffisamment léger pour être déplacé par le bonnet en rotation, il doit être ancré solidement afin de prévenir d'éventuelles blessures.
2. Tenez la polisseuse fermement par les poignées arrière et auxiliaire, en vous assurant que le bonnet est à l'écart de l'ouvrage et des objets étrangers. Mettez la polisseuse en marche et abaissez-la à un angle de sorte qu'environ la moitié ou un peu moins du bonnet soit en contact avec l'ouvrage.
3. Déplacez la polisseuse en mouvements de balayage longs et continus. **NE TENEZ PAS LA POLISSEUSE À UN ENDROIT**, ce qui dégagera de la chaleur et abîmera éventuellement la surface à polir.
4. Levez la polisseuse de l'ouvrage avant de mettre le moteur à l'arrêt.
5. Laissez toujours l'axe cesser de tourner avant de déposer la machine.

RÉPARATION (ENTRETIEN)

NETTOYER VOS OUTILS

Nettoyer régulièrement les passages d'air avec de l'air comprimé à sec. Toutes les pièces en plastiques doivent être nettoyées avec un chiffon doux légèrement humide. Ne nettoyer JAMAIS les pièces en plastique avec des dissolvants. Ils pourraient dissoudre ou autrement endommager ces pièces.

ATTENTION : Mettez toujours des lunettes de sécurité quand vous utilisez de l'air comprimé.

L'OUTIL REFUSE DE DÉMARRER

Si l'outil refuse de démarrer, assurez-vous que les fiches du cordon électrique font un bon contact avec la prise de courant. Vérifiez également si les fusibles ont fondus ou si le disjoncteur est ouvert.

GRAISSAGE

Cet outil a été graissé avec une quantité suffisante de lubrifiant de haute qualité pour assurer son bon fonctionnement pour la durée de sa vie opératoire. Il ne devrait pas être nécessaire de le re-graisser.

INSPECTION DES BALAIS ET GRAISSAGE

Pour assurer votre sécurité et pour vous protéger contre tout risque de décharge électrique, l'inspection des balais et leur remplacement devra être SEULEMENT effectuée soit par une STATION AUTORISÉE PAR PORTER-CABLE soit par un CENTRE DE SERVICE PORTER-CABLE.

Après approximativement 100 heures d'utilisation, amener ou envoyer votre outil à la station autorisée par Porter-Cable la plus proche afin qu'il soit entièrement inspecté et nettoyé. Les pièces usées seront remplacées si cela s'avère nécessaire; il sera de même re-graisser si cela s'avère nécessaire; il sera assemblé avec de nouveaux balais; et il sera mis à l'épreuve.

Toute perte de puissance avant la période d'inspection prévue peut indiquer que l'outil a besoin d'un service de maintien immédiat. NE CONTINUEZ PAS À VOUS SERVIR DE L'OUTIL DANS DE TELLES CONDITIONS. Si le voltage nécessaire au fonctionnement de l'outil est présent, envoyez immédiatement l'outil au centre de service pour qu'il soit inspecté et réparé.

ENTRETIEN ET RÉPARATIONS

Tous les outils, mêmes ceux de qualité, nécessiteront éventuellement un entretien ou le remplacement des pièces usées résultant d'un emploi normal mais continu. Cet entretien, ainsi que l'inspection et le remplacement éventuel des balais, devra être SEULEMENT effectué soit par une STATION AUTORISÉE PAR PORTER-CABLE soit par un CENTRE DE SERVICE PORTER-CABLE. Toutes réparations effectuées par ces agents sont entièrement garanties contre les défauts de facture ou le travail du personnel qualifié. Nous ne sommes pas en mesure de garantir les réparations accomplies ou tentées par d'autres personnes. Si vous avez des questions, n'hésitez pas à nous contacter par écrit. Dans toute correspondance, n'oubliez pas d'inclure les informations apparaissant sur la plaque du fabricant que l'outil porte (numéro de modèle, numéro de série, etc).

ACCESSOIRES

Pour le fonctionnement le plus sûr, il est recommandé de n'utiliser que ces accessoires avec ce produit.

AVERTISSEMENT : N'utilisez pas d'accessoires autres que ceux indiqués dans le tableau. L'utilisation de ces accessoires pourrait être dangereuse.

- 54740** Coussinet d'appui à crochets et boucles
- 54741** Bonnet de polissage à crochets et boucles
- 54742** Bonnet applicateur à crochets et boucles
- 889195** Coussinet d'appui en caoutchouc
- 889194** Écrou de retenue (utiliser avec 55748)

GARANTIE LIMITÉE D'UN AN OFFERTE PAR PORTER-CABLE

Porter-Cable garantit ses outils dans la série "Professional Power Tools" pour une période d'un an à partir de la date de l'achat original. Pendant la période de garantie, nous réparerons, ou nous remplacerons, selon le cas, toute pièce de nos outils ou de nos accessoires couverte par notre garantie qui, après inspection, révélera un défaut de facture ou de matériel. Pour toute réparation ou pour tout remplacement, renvoyez l'outil ou l'accessoire en prépayé au centre de service Porter-Cable ou à la station autorisée. Il se peut qu'on vous demande de produire des pièces justificatives attestant de l'achat de l'outil. Cette garantie ne s'applique pas aux réparations ou aux remplacements nécessaires occasionnés par un mauvais usage de l'outil, un abus de l'outil, l'usage normal de l'outil, ou les réparations qui auraient été faites par un personnel non-autorisé n'appartenant pas à nos centre de service ou à nos stations autorisées.

TOUTE GARANTIE IMPLICITE, LA GARANTIE DE COMMERCE ET DE CONVENANCE POUR UNE TACHE PARTICULIERE INCLUE, NE DURERONT QUE POUR UNE PÉRIODE D'UN (1) AN A PARTIR DE LA DATE D'ACHAT.

Si vous désirez obtenir un supplément d'information sur la garantie, écrivez-nous à l'adresse suivante: PORTER-CABLE CORPORATION, 4825 Highway 45 North, P. O. Box 2468, Jackson, Tennessee 38302-2468; Attention: Product Service. L'OBLIGATION PRÉCÉDENTE EST LA SEULE RESPONSABILITÉ DE PORTER-CABLE SOUS LES TERME DE CETTE, OU DE TOUTE AUTRE, GARANTIE IMPLICITE OU NON. SOUS AUCUNE CIRCONSTANCE, PORTER-CABLE NE SERA TENU POUR RESPONSABLE POUR TOUT DOMMAGES INCIDENTAUX OU INDIRECTS. Certaines provinces ne permettent pas que limites soit posées soit sur la période de temps que dure une garantie implicite, soit sur la limitation ou l'exclusion de dommages incidentaux ou indirects. Ainsi, il se peut que l'exclusion citée ci-dessus ne s'applique pas directement à vous. Cette garantie vous donne certains droits légaux spécifiques. Vous pouvez également avoir droit à d'autres droits légaux selon les provinces.

**PORTER-CABLE SERVICE CENTERS
(CENTROS DE SERVICIO DE PORTER-CABLE)
(CENTRE DE SERVICE PORTER-CABLE)**

**Parts and Repair Service for Porter-Cable Power Tools are Available at These Locations
(Obtenga Refaccion de Partes o Servicio para su Herramienta en los Sigüientes Centros de Porter-Cable)
(Locations où vous trouverez les pièces de rechange nécessaires ainsi qu'un service d'entretien)**

ARIZONA Tempe 85282 (Phoenix) 2400 West Southern Avenue Suite 105 Phone: (602) 437-1200 Fax: (602) 437-2200	GEORGIA Forest Park 30297 (Atlanta) 5442 Frontage Road, Suite 112 Phone: (404) 608-0006 Fax: (404) 608-1123	MINNESOTA Cleveland 44125 8001 Sweet Valley Dr. Unit #19 Phone: (216) 447-9030 Fax: (216) 447-3097	MISSOURI North Kansas City 64116 1141 Swift Avenue P.O. Box 12393 Phone: (816) 221-2070 Fax: (816) 221-2897	PENNSYLVANIA Willow Grove 19090 520 North York Road Phone: (215) 658-1430 Fax: (215) 658-1433
CALIFORNIA Ontario 91761 (Los Angeles) 3949A East Guasti Road Phone: (909) 390-5555 Fax: (909) 390-5554	ILLINOIS Addison 60101 (Chicago) 311 Laura Drive Phone: (630) 628-6100 Fax: (630) 628-0023	NEW YORK Flushing 11365-1595 (N.Y.C.) 175-25 Horace Harding Expwy. Phone: (718) 225-2040 Fax: (718) 423-9619	TENNESSEE Nashville 37214 2262 Lebanon Pike Phone: (615) 882-0320 Fax: (615) 882-0051	TEXAS Dallas 75220 10720 N. Stemmons Freeway Phone: (214) 353-2996 Fax: (214) 350-3943
COLORADO Denver 80216 5855 Stapleton Drive North Suite A-140 Phone: (303) 370-6909 Fax: (303) 370-6969	MARYLAND Elkridge 21075 (Baltimore) 7397-102 Washington Blvd. Phone: (410) 799-9394 Fax: (410) 799-9398	NORTH CAROLINA Charlotte 28209 4303-B South Boulevard Phone: (704) 525-4410 Fax: (704) 525-0618	UTAH Houston 77055 West 10 Business Center 1008 Wirt Road, Suite 120 Phone: (713) 682-0334 Fax: (713) 682-4867	WASHINGTON Renton 98055 (Seattle) 268 Southwest 43rd Street Phone: (425) 251-6680 Fax: (425) 251-9337
FLORIDA Davie 33314 (Miami) 4343 South State Rd. 7 (441) Unit #107 Phone: (954) 321-6635 Fax: (954) 321-6638	MASSACHUSETTS Franklin 02038 (Boston) Franklin Industrial Park 101E Constitution Blvd. Phone: (508) 520-8802 Fax: (508) 528-8089	OHIO Columbus 43214 4560 Indianola Avenue Phone: (614) 263-0929 Fax: (614) 263-1238	VERMONT St. Albans 05478 1000 Main Street Phone: (802) 251-1111 Fax: (802) 251-1111	
TAMPA Tampa 33609 4538 W. Kennedy Boulevard Phone: (813) 877-9585 Fax: (813) 289-7948	MICHIGAN Troy 48063 (Detroit) 1355 Combermere Phone: (248) 597-5000 Fax: (248) 597-5004			

Authorized Service Stations are located in many large cities. Telephone **800-487-8665** or **901-541-6042** for assistance locating one. Parts and accessories for Porter-Cable products should be obtained by contacting any Porter-Cable Distributor, Authorized Service Center, or Porter-Cable Factory Service Center. If you do not have access to any of these, call **888-848-5175** and you will be directed to the nearest Porter-Cable Factory Service Center. Las Estaciones de Servicio Autorizadas están ubicadas en muchas grandes ciudades. Llame al **800-487-8665** ó al **901-541-6042** para obtener asistencia a fin de localizar una. Las piezas y los accesorios para los productos Porter-Cable deben obtenerse poniéndose en contacto con cualquier distribuidor Porter-Cable, Centro de Servicio Autorizado o Centro de Servicio de Fábrica Porter-Cable. Si no tiene acceso a ninguna de estas opciones, llame al **888-848-5175** y le dirigirán al Centro de Servicio de Fábrica Porter-Cable más cercano. Des centres de service agréés sont situés dans beaucoup de grandes villes. Appelez au **800-487-8665** ou au **901-541-6042** pour obtenir de l'aide pour en repérer un. Pour obtenir des pièces et accessoires pour les produits Porter-Cable, s'adresser à tout distributeur Porter-Cable, centre de service agréé ou centre de service d'usine Porter-Cable. Si vous n'avez accès à aucun de ces centres, appeler le **888-848-5175** et on vous dirigera vers le centre de service d'usine Porter-Cable le plus proche.

DELTA SERVICE CENTERS

ALBERTA Bay 6, 2520-23rd St. N.E. Calgary, Alberta T2E 8L2 Phone: (403) 735-6166 Fax: (403) 735-6144	MANITOBA 1699 Dublin Avenue Winnipeg, Manitoba R3H 0H2 Phone: (204) 633-9259 Fax: (204) 632-1976	QUÉBEC 1515 ave. St-Jean Baptiste, Québec, Québec G2E 5E2 Phone: (418) 877-7112 Fax: (418) 877-7123
BRITISH COLUMBIA 8520 Baxter Place Burnaby, B.C. V5A 4T8 Phone: (604) 420-0102 Fax: (604) 420-3522	ONTARIO 644 Imperial Road Guelph, Ontario N1H 6M7 Phone: (519) 836-2840 Fax: (519) 767-4131	NEW BRUNSWICK 1447, Begin St-Laurent, (Montréal), Québec H4R 1V8 Phone: (514) 336-8772 Fax: (514) 336-3505

The following are trademarks of PORTER-CABLE Corporation (Las sigüientes son marcas registradas de PORTER-CABLE S.A.) (Les marques suivantes sont des marques de fabricant de la PORTER-CABLE Corporation): PORTER-CABLE®, OMNIJIG®, POCKET CUTTER®, PORTA-BAND®, PORTA-PLANE®, QUICKSAND®, VERSA-PLANE®, SANDTRAP®, SAW BOSS®, SPEED-BLOC®, SPEEDMATIC®, SPEEDTRONIC®, STAIR-EASE®, THE PROFESSIONAL EDGE®, TIGER CUB®, TIGER SAW®, TORQ-BUSTER®, DURATRONIC™, FRAME SAW™, JETSTREAM™, MICRO-SET™, MORTENTM™, PROFESSIONAL SELECT™, QUIK-CHANGE™, TRU-MATCH™, WOODWORKER'S CHOICE™.

Trademarks noted with ® are registered in the United States Patent and Trademark Office and may also be registered in other countries. Las Marcas Registradas con el signo de ® son registradas por la Oficina de Registros y Patentes de los Estados Unidos y también pueden estar registradas en otros países. Marques déposées, indiquées par la lettre ®, sont déposées au Bureau des brevets d'invention et marques déposées aux Etats-Unis et pourraient être déposées aux autres pays.