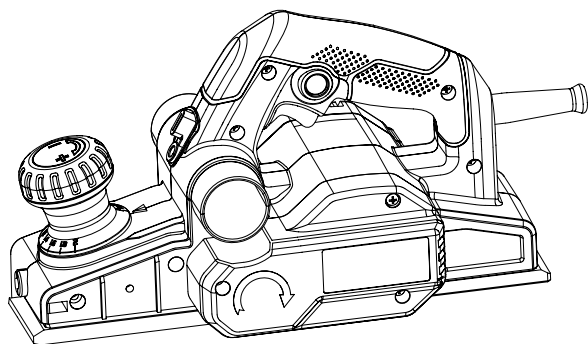


PORTER CABLE®

6.0 Amp Planer

Raboteuse de 6,0 A

Cepilladora de 6,0 amperios



Instruction manual

Manuel d'instructions

Manual de instrucciones

www.portercable.com

INSTRUCTIVO DE OPERACIÓN,
CENTROS DE SERVICIO Y PÓLIZA DE
GARANTÍA.

⚠ ADVERTENCIA: LÉASE ESTE
INSTRUCTIVO ANTES DE USAR EL
PRODUCTO.

**CATALOG NUMBER
PC60THP**

General Power Tool Safety Warnings

⚠ WARNING: Read all safety warnings and instructions. Failure to follow the warnings and instructions may result in electric shock, fire and/or serious injury.

Save all warnings and instructions for future reference.

The term “power tool” in the warnings refers to your mains-operated (corded) power tool or battery-operated (cordless) power tool.

1) Work area safety

- a) **Keep work area clean and well lit.** *Cluttered or dark areas invite accidents.*
- b) **Do not operate power tools in explosive atmospheres, such as in the presence of flammable liquids, gases or dust.** *Power tools create sparks which may ignite the dust or fumes.*
- c) **Keep children and bystanders away while operating a power tool.** *Distractions can cause you to lose control.*

2) Electrical safety

- a) **Power tool plugs must match the outlet. Never modify the plug in any way. Do not use any adapter plugs with earthed (grounded) power tools.** *Unmodified plugs and matching outlets will reduce risk of electric shock.*
- b) **Avoid body contact with earthed or grounded surfaces such as pipes, radiators, ranges and refrigerators.** *There is an increased risk of electric shock if your body is earthed or grounded.*
- c) **Do not expose power tools to rain or wet conditions.** *Water entering a power tool will increase the risk of electric shock.*
- d) **Do not abuse the cord. Never use the cord for carrying, pulling or unplugging the power tool. Keep cord away from heat, oil, sharp edges or moving parts.** *Damaged or entangled cords increase the risk of electric shock.*
- e) **When operating a power tool outdoors, use an extension cord suitable for outdoor use.** *Use of a cord suitable for outdoor use reduces the risk of electric shock.*
- f) **If operating a power tool in a damp location is unavoidable, use a ground fault circuit interrupter (GFCI) protected supply.** *Use of a GFCI reduces the risk of electric shock.*

3) Personal safety

- a) **Stay alert, watch what you are doing and use common sense when operating a power tool. Do not use a power tool while you are tired or under the influence of drugs, alcohol or medication.** *A moment of inattention while operating power tools may result in serious personal injury.*
- b) **Use personal protective equipment. Always wear eye protection.** *Protective equipment such as dust mask, non-skid safety shoes, hard hat, or hearing protection used for appropriate conditions will reduce personal injuries.*
- c) **Prevent unintentional starting. Ensure the switch is in the off-position before connecting to power source and/or battery pack, picking up or carrying the tool.** *Carrying power tools with your finger on the switch or energizing power tools that have the switch on invites accidents.*
- d) **Remove any adjusting key or wrench before turning the power tool on.** *A wrench or a key left attached to a rotating part of the power tool may result in personal injury.*
- e) **Do not overreach. Keep proper footing and balance at all times.** *This enables better control of the power tool in unexpected situations.*
- f) **Dress properly. Do not wear loose clothing or jewelry. Keep your hair, clothing and gloves away from moving parts.** *Loose clothes, jewelry or long hair can be caught in moving parts.*
- g) **If devices are provided for the connection of dust extraction and collection facilities, ensure these are connected and properly used.** *Use of dust collection can reduce dust-related hazards.*

4) Power tool use and care

- a) **Do not force the power tool. Use the correct power tool for your application.**
The correct power tool will do the job better and safer at the rate for which it was designed.
- b) **Do not use the power tool if the switch does not turn it on and off.** Any power tool that cannot be controlled with the switch is dangerous and must be repaired.
- c) **Disconnect the plug from the power source and/or the battery pack from the power tool before making any adjustments, changing accessories, or storing power tools.** Such preventive safety measures reduce the risk of starting the power tool accidentally.
- d) **Store idle power tools out of the reach of children and do not allow persons unfamiliar with the power tool or these instructions to operate the power tool.** Power tools are dangerous in the hands of untrained users.
- e) **Maintain power tools. Check for misalignment or binding of moving parts, breakage of parts and any other condition that may affect the power tool's operation. If damaged, have the power tool repaired before use.** Many accidents are caused by poorly maintained power tools.
- f) **Keep cutting tools sharp and clean.** Properly maintained cutting tools with sharp cutting edges are less likely to bind and are easier to control.
- g) **Use the power tool, accessories and tool bits etc., in accordance with these instructions, taking into account the working conditions and the work to be performed.** Use of the power tool for operations different from those intended could result in a hazardous situation.

5) Service

- a) **Have your power tool serviced by a qualified repair person using only identical replacement parts.** This will ensure that the safety of the power tool is maintained.

Specific Safety Rules

- **Hold power tool by insulated gripping surfaces, when performing an operation where the cutting accessory may contact hidden wiring or its own cord.** Cutting accessory contacting a "live" wire may make exposed metal parts of the power tool "live" and could give the operator an electric shock.
- **Use clamps or another practical way to secure and support the workpiece to a stable platform.** Holding the work by hand or against your body leaves it unstable and may lead to loss of control.
- **Wait for the cutter to stop before setting the tool down.** An exposed cutter may engage the surface leading to possible loss of control and serious injury.
- **To reduce the risk of injury, user must read and understand instruction manual before operating planer.**
- Be sure the voltage agrees with specific data on the nameplate.
- Make certain that the switch is in the OFF position before connecting plug to a power source.
- Be sure to switch OFF immediately if tool is jammed in work.
- Be sure tool is set for correct depth before turning switch to ON.
- Be sure to use specified replacement parts only.
- Be sure tool is disconnected from power source when cleaning or making adjustments to the tool.
- Be sure to maintain tool with care. Follow instructions for lubricating and changing accessories.
- Stay alert – never operate the unit when tired or under the influence of drugs, alcohol, or medication.
- Be sure to store tool in a clean dry place after disconnecting from power source.
- Do not use in dangerous environments. Do not use near flammable substances, in damp or wet locations, or expose to rain.
- Be sure that the blades are mounted as described in the instruction manual and check that all screws are firmly tightened before connecting unit to power source.

- Keep air vents unobstructed for proper motor cooling.
- DO NOT lay tool down on shoe when the blades are exposed. This can chip the blades.
- Keep side discharge chute unobstructed at all times.
- Never reach under the tool for any reason unless it is turned off and UNPLUGGED. BLADES ARE EXPOSED AND EXTREMELY SHARP.
- Use this tool for working with wood and wood products only.
- Never operate without securely holding the front handle.
- Always operate planer with two hands.
- Planer blades are extremely sharp. Handle with great care.
- Clean out your tool often, especially after heavy use.

⚠WARNING: ALWAYS use safety glasses. Everyday eyeglasses are NOT safety glasses. Also use face or dust mask. ALWAYS WEAR CERTIFIED SAFETY EQUIPMENT:

- ANSI Z87.1 eye protection (CAN/CPA Z94.3),
- ANSI S12.6 (S3.19) hearing protection,
- NOSH/OSHA respiratory protection.

⚠WARNING: Some dust created by power sanding, sawing, grinding, drilling, and other construction activities contains chemicals known to the state of California to cause cancer, birth defects or other reproductive harm. Some examples of these chemicals are:

- lead from lead-based paints,
- crystalline silica from bricks and cement and other masonry products, and
- arsenic and chromium from chemically-treated lumber.

Your risk from these exposures varies, depending on how often you do this type of work. To reduce your exposure to these chemicals: work in a well ventilated area, and work with approved safety equipment, such as those dust masks that are specially designed to filter out microscopic particles.

- **Avoid prolonged contact with dust from power sanding, sawing, grinding, drilling, and other construction activities. Wear protective clothing and wash exposed areas with soap and water. Allowing dust to get into your mouth, eyes, or lay on the skin may promote absorption of harmful chemicals.**

⚠WARNING: Use of this tool can generate and/or disperse dust, which may cause serious and permanent respiratory or other injury. Always use NOSH/OSHA approved respiratory protection appropriate for the dust exposure. Direct particles away from face and body.

⚠WARNING: Always wear proper personal hearing protection that conforms to ANSI S12.6 (S3.19) during use. Under some conditions and duration of use, noise from this product may contribute to hearing loss.

SAFETY GUIDELINES - DEFINITIONS

It is important for you to read and understand this manual. The information it contains relates to protecting YOUR SAFETY and PREVENTING PROBLEMS. The symbols below are used to help you recognize this information.

⚠ DANGER: Indicates an imminently hazardous situation which, if not avoided, will result in death or serious injury.

⚠ WARNING: Indicates a potentially hazardous situation which, if not avoided, could result in death or serious injury.

⚠ CAUTION: Indicates a potentially hazardous situation which, if not avoided, may result in minor or moderate injury.

NOTICE: Used without the safety alert symbol indicates a potentially hazardous situation which, if not avoided, may result in property damage.

Symbols

- The label on your tool may include the following symbols. The symbols and their definitions are as follows:

V.....volts	Aamperes
Hz.....hertz	W.....watts
minminutes	~alternating current
— — — direct current	n ₀no load speed
⊕Class I Construction (grounded)	⊕earthing terminal
⊞Class II Construction (double insulated)	⚠safety alert symbol
rpmrevolutions or reciprocation per minute

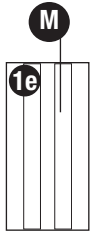
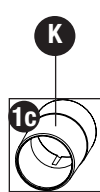
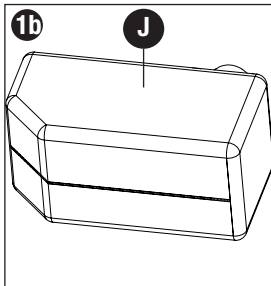
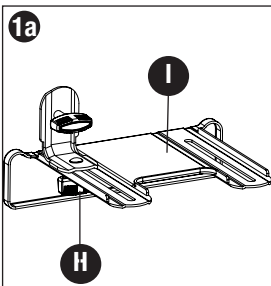
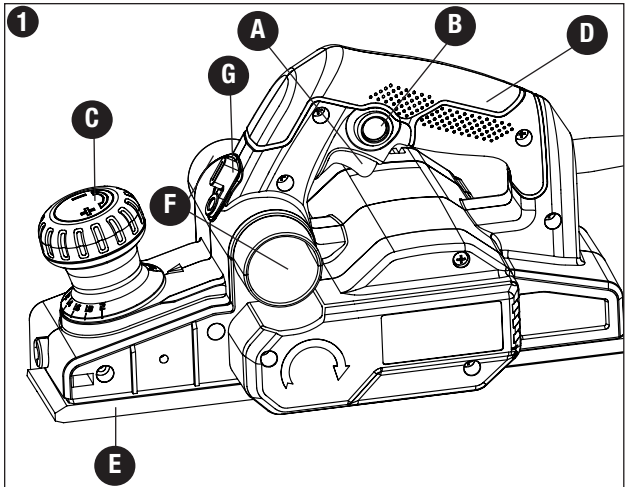
- When using an extension cord, be sure to use one heavy enough to carry the current your product will draw. An undersized cord will cause a drop in line voltage resulting in loss of power and overheating. The table shows the correct size to use depending on cord length and nameplate ampere rating. If in doubt, use the next heavier gage. The smaller the gauge number, the heavier the cord.

Volts	Minimum Gauge for Cord Sets				
	Total Length of Cord in Feet				
120V	0-25 (0-7,6m)	26-50 (7,6-15,2m)	51-100 (15,2-30,4m)	101-150 (30,4-45,7m)	
	240V	0-50 (0-15,2m)	51-100 (15,2-30,4m)	101-200 (30,4-60,9m)	201-300 (60,9-91,4m)
Ampere Rating		American Wire Gauge			
More Than	Not more Than				
0	6	18	16	16	14
6	10	18	16	14	12
10	12	16	16	14	12
12	16	14	12	Not Recommended	

SAVE THESE INSTRUCTIONS

Components

- A. Trigger switch
- B. Lock-on button
- C. Depth adjustment knob / front handle
- D. Switch Handle
- E. Shoe
- F. Chip discharge chute
- G. Chip deflector lever
- H. Rabbet fence adjustment knob
- I. Rabbet fence
- J. Dust bag
- K. Vac adaptor
- L. Wrench
- M. Blades
- N. Blade guard (not shown)



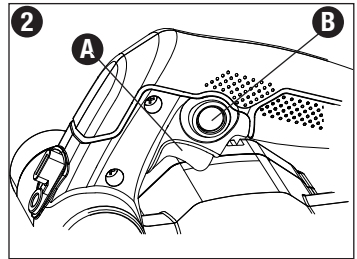
OPERATION

Switch (Figure 2)

⚠CAUTION: Check that the tool is not locked ON before connecting it to a power supply. If the trigger switch is locked ON when the tool is connected to the power supply, it will start immediately. Damage to your tool or personal injury may result.

⚠CAUTION: Allow the tool to reach full speed before touching tool to the work surface. Lift the tool from the work surface before turning the tool off.

To start the planer, depress the trigger switch (A) in **figure 2**. To turn the planer off, release the trigger switch.



Lock-On Button (Figure 2)

The tool can be locked on for continuous use. To lock the tool ON depress the trigger switch (A) and push in the lock-on button (B). Hold the lock-on button in as you gently release the trigger switch. The tool will continue to run.

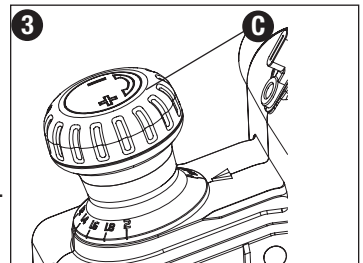
To turn the tool OFF from a locked-on position, squeeze and release the trigger once.

Adjusting Planing Depth (Figure 3)

⚠WARNING: Turn off and unplug the tool before making any adjustments or removing or installing accessories.

Planing depth is infinitely variable from 0 to $.5/64^{\text{th}}$ in. (2.0 mm). To adjust the cutting depth, rotate the depth adjustment knob/front handle (C) clockwise from the “P” position. The cutting depth will increase from 0 to as much as $.079$ in. (2.0 mm).

It is recommended that test cuts be made in scrap wood after each re-adjustment to make sure that the desired amount of wood is being removed by the planer. Several shallow passes (rather than one deep one) will produce a smoother finish.



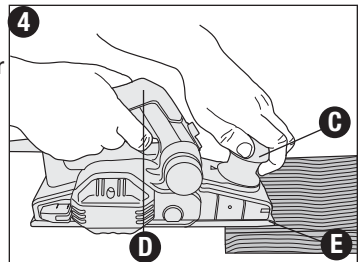
Planing (Figures 4, 5, 6)

⚠WARNING: Wait for the cutter to stop before setting the tool down. An exposed cutter may engage the surface leading to possible loss of control and serious injury.

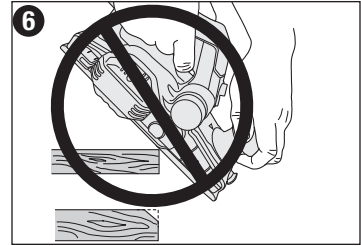
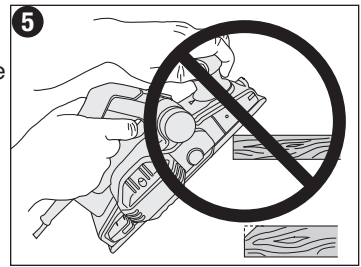
⚠CAUTION: Allow the tool to reach full speed before touching tool to the work surface. Lift the tool from the work surface before turning the tool off.

Hold the planer in the correct position with one hand on the front handle (C) and the other hand on the switch handle (D) as shown in **figure 4**. Place the front of the shoe (E) on the surface to be planed, making certain that the cutting blades are not touching the surface. Push down firmly on the front handle of the planer so that the front shoe is ABSOLUTELY FLAT on the work surface. Squeeze the trigger switch and allow the motor to reach full speed before touching the planer blades to the work surface.

Move the tool slowly into the work and maintain downward pressure to keep the planer flat. Be particularly careful to keep the tool flat at the beginning and the end of the work surface (**Figures 4, 5, 6**).



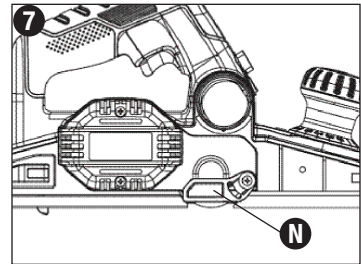
Planing Tip: For a smoother appearance, fasten a piece of scrap wood to the end of the piece you are planing. Don't stop planing until the cutting blades of the planer are past your work piece and into the scrap material.



Blade Guard (Figure 7)

Ensure that the spring loaded blade guard (N) is in proper working order before using the planer.

⚠WARNING: Cut Hazard. Do not remove guard.



Rabbet Fence (Figures 8, 9)

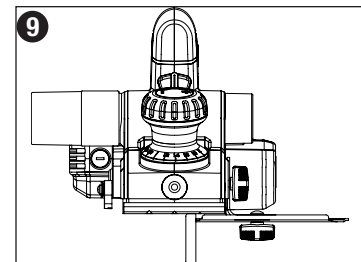
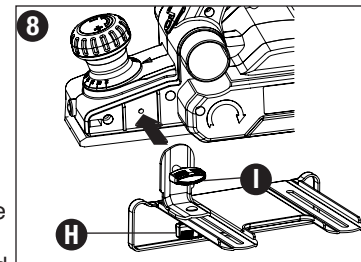
⚠WARNING: Turn off and unplug the tool before making any adjustments or removing or installing accessories.

⚠CAUTION: Allow the tool to reach full speed before touching tool to the work surface. Lift the tool from the work surface before turning the tool off.

The rabbet fence can be installed on either side of your planer. The planer can make rabbet cuts up to .5 in. (12mm).

TO INSTALL RABBET FENCE

- Thread the knob (I) into the hole on the side of the planer shown with arrow in **figure 8**.
- Loosen the rabbet fence adjustment knob (H) and adjust fence to desired distance.
- Securely tighten rabbet fence adjustment knob (H).
- The rabbet fence should be below the planer when installed correctly as shown in **figure 9**.



TO MAKE A RABBET CUT

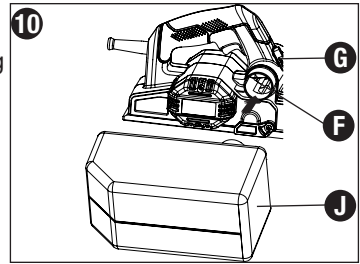
- Turn the rabbet fence adjustment knob (H) to adjust the desired width of cut.
- Make several cuts until the desired depth is reached.

NOTE: It will be necessary to make quite a few cuts for most rabbet applications.

Collection Bag (Figure 10)

⚠WARNING: Turn off and unplug the tool before making any adjustments or removing or installing accessories.

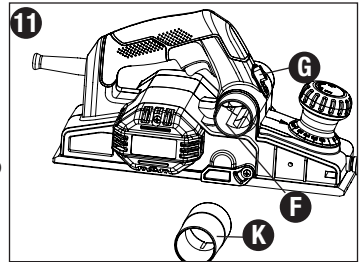
- Attach bag by aligning the keyway marks on the chip discharge chute and the bag frame. Attach bag (J) to either side of chip discharge chute (F). Empty bag often to prevent clogging.
- To prevent chips from coming out opposite side of chip discharge chute, move chip deflector lever (G) to the opposite side of the bag.



Vacuum Adaptor (Figure 11)

⚠WARNING: Turn off and unplug the tool before making any adjustments or removing or installing accessories.

- Slide the vac adaptor (K) over the chip discharge chute (F).
- Connect a vacuum cleaner hose (not included) to the adaptor.
- To prevent chips from coming out opposite side of chip discharge chute, move chip deflector lever (G) to the opposite side of the adaptor.



To Change Blades (Figure 12)

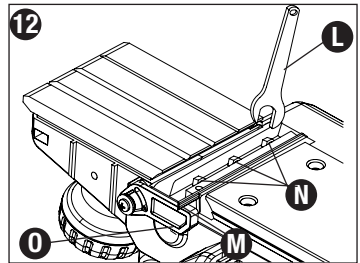
⚠WARNING: Turn off and unplug the tool before making any adjustments or removing or installing accessories.

⚠WARNING: Cut Hazard. Planer blades are sharp and must be handled with care.

NOTE: The PC60THP has two blades, one on each side of the blade drum. Any operation or adjustment should be made to both blades. The cutting blades provided with this tool are reversible. An extra set of blades is included.

To Remove Blade from Planer

- Place planer upside down as shown in figure 12.
- Loosen the three nuts (N) using the wrench (L) supplied.
- Rotate the blade guard (O) downward. Carefully remove the blade (M) by sliding it out of the holder. A piece of wood may be used for this purpose.
- Reverse the blade so that the unused side comes in position. If both sides are worn, the blade must be replaced.

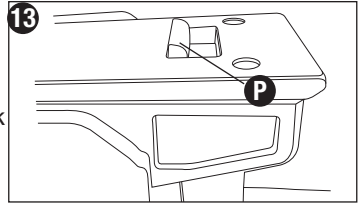


To Reinstall Blade

- Slide the blade sideways into the holder until it is against the end stop. Blade groove must be toward back of unit.
- Securely tighten the three nuts using the wrench supplied.
- Rotate the blade drum 180 degrees and repeat for other blade.
- Always replace both blades.

Parking Foot (Figure 13)

Your planer is equipped with a parking foot (P) that automatically lowers into place when the tool is lifted from the work surface. When planing, the parking foot raises as the tool is pushed forward. When the parking foot is lowered, the planer can set on the work surface without the blade touching.



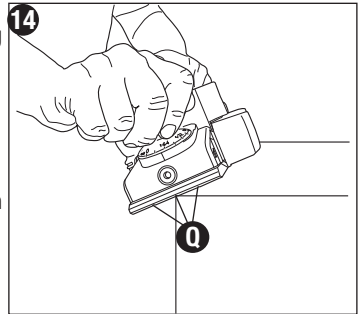
⚠ CAUTION: Do not lock the trigger switch on and engage the parking foot. The vibration of the running motor will cause the planer to move, possibly falling from the work piece.

Edge Chamfering (Figure 14)

Your planer has three precision machined chamfering grooves 1.5mm, 2.0mm and 2.5mm (Q). They are located in the front shoe and are used for planing along a corner of the material (figure 14).

- Adjust to desired depth of cut.
- Place groove (Q) over edge of material.
- Apply weight to front of shoe so groove is flat on material edge.
- Hold tool with both hands keeping pressure on front handle.

Note: It's a good idea to try a piece of scrap wood before doing finish work.

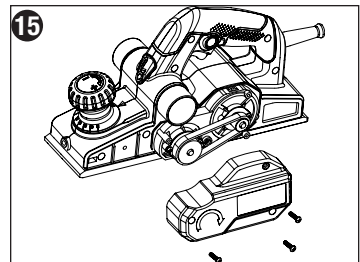


Drive Belt (Figure 15)

⚠ WARNING: Turn off and unplug the tool before making any adjustments or removing or installing accessories.

To Replace Belt

- Loosen the three screws shown in figure 15 and remove the belt cover.
- Remove old belt.
- Place new belt over front pulley then rotate belt clockwise while pushing belt onto back pulley.
- Attach belt cover and securely tighten screws.



Maintenance

Cleaning

⚠ WARNING: Turn off and unplug unit before cleaning chip discharge chute. Clean the chip discharge chute (F) regularly. ALWAYS WEAR SAFETY GLASSES.

⚠ CAUTION: Never use solvents or other harsh chemicals for cleaning the non-metallic parts of the tool.

Use only mild soap and damp cloth to clean the tool. Never let any liquid get inside the tool; never immerse any part of the tool into a liquid.

TROUBLESHOOTING

Problem

- Unit will not start.

Possible Cause

- Cord not plugged in.
- Circuit fuse is blown.
- Circuit breaker is tripped.
- Cord or switch is damaged.

Possible Solution

- Plug tool into a working outlet.
- Replace circuit fuse. (If the product repeatedly causes the circuit fuse to blow, discontinue use immediately and have it serviced at a Porter Cable service center or authorized servicer.)
- Reset circuit breaker. (If the product repeatedly causes the circuit breaker to trip, discontinue use immediately and have it serviced at a Porter Cable service center or authorized servicer.)
- Have cord or switch replaced at a Porter Cable Service Center or Authorized Servicer

For assistance with your product, visit our website at www.portercable.com for a list of service centers, or call the PorterCable Customer Care Center at (888) 848-5175.

REPLACEMENT PARTS

Use only identical replacement parts. For a parts list or to order parts, visit our service website at www.portercable.com. You can also order parts from your nearest PORTER-CABLE Factory Service Center or PORTER-CABLE Authorized Warranty Service Center. Or, you can call our Customer Care Center at (888) 848-5175.

SERVICE AND REPAIRS

All quality tools will eventually require servicing and/or replacement of parts. For information about PORTER-CABLE, its factory service centers or authorized warranty service centers, visit our website at www.portercable.com or call our Customer Care Center at (888) 848-5175. All repairs made by our service centers are fully guaranteed against defective material and workmanship. We cannot guarantee repairs made or attempted by others.

You can also write to us for information at PORTER-CABLE, 4825 Highway 45 North, Jackson, Tennessee 38305, (888) 848-5175 - Attention: Product Service. Be sure to include all of the information shown on the nameplate of your tool (model number, type, serial number, etc.).

ACCESSORIES

⚠WARNING: Since accessories, other than those offered by PORTER-CABLE, have not been tested with this product, use of such accessories with this tool could be hazardous. To reduce the risk of injury, only PORTER-CABLE recommended accessories should be used with this product.

A complete line of accessories is available from your PORTER-CABLE Factory Service Center or a PORTER-CABLE Authorized Warranty Service Center. Please visit our Web Site www.portercable.com for a catalog or for the name of your nearest supplier.

THREE YEAR LIMITED WARRANTY

PORTER-CABLE will repair or replace, without charge, any defects due to faulty materials or workmanship for three years from the date of purchase for tools (two years for batteries). This warranty does not cover part failure due to normal wear or tool abuse. For further detail of warranty coverage and warranty repair information, visit www.portercable.com or call (888) 848-5175. This warranty does not apply to accessories or damage caused where repairs have been made or attempted by others. This warranty gives you specific legal rights and you may have other rights which vary in certain states or provinces.

In addition to the warranty, PORTER-CABLE tools are covered by our:

1 YEAR FREE SERVICE: PORTER-CABLE will maintain the tool and replace worn parts caused by normal use, for free, any time during the first year after purchase.

90 DAY MONEY BACK GUARANTEE: If you are not completely satisfied with the performance of your PORTER-CABLE Power Tool for any reason, you can return it within 90 days from the date of purchase with a receipt for a full refund – no questions asked.

LATIN AMERICA: This warranty does not apply to products sold in Latin America. For products sold in Latin America, see country specific warranty information contained in the packaging, call the local company or see website for warranty information.

To register your tool for warranty service visit our website at www.portercable.com.

WARNING LABEL REPLACEMENT

If your warning labels become illegible or are missing, call (888) 848-5175 for a free replacement.

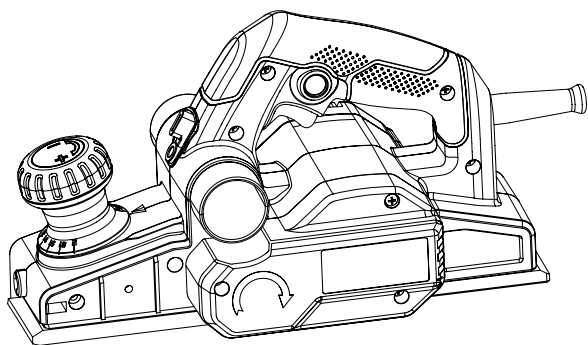
The following are PORTER-CABLE trademarks for one or more power tools and accessories: a gray and black color scheme; a “four point star” design; and three contrasting/outlined longitudinal stripes. The following are also trademarks for one or more PORTER-CABLE and Delta products: Les éléments ci-dessous sont des marques de commerce des outils et des accessoires de PORTER-CABLE : un agencement de couleurs grise et noire; un motif d’ « étoile à quatre pointes » et trois bandes longitudinales contrastantes/à contours. Les marques suivantes sont également des marques de commerce se rapportant à un ou plusieurs produits PORTER-CABLE ou Delta : Las siguientes son marcas comerciales PORTER-CABLE que distinguen a una o más herramientas y accesorios: un gráfico de color gris y negro; un diseño de “estrella de cuatro puntas” y tres franjas longitudinales contrastantes/delineadas. Las siguientes también son marcas comerciales para uno o más productos de PORTER-CABLE y Delta: 2 BY 4®, 890™, Air America®, AIRBOSS™, Auto-Set®, B.O.S.S.®, Bammer®, Biesemeyer®, Builders Saw®, Charge Air®, Charge Air Pro®, CONTRACTOR SUPERDUTY®, Contractor’s Saw®, Delta®, DELTA®, Delta Industrial®, DELTA MACHINERY & DESIGN™, Delta Shopmaster and Design®, Delta X5®, Deltacraft®, DELTAGRAM®, Do It. Feel It.®, DUAL LASERLOC AND DESIGN®, EASY AIR®, EASY AIR TO GO™, ENDURADIAMOND®, Ex-Cell®, Front Bevel Lock®, Get Yours While the Sun Shines®, Grip to Fit®, GRIPVAC™, GTF®, HICKORY WOODWORKING®, Homecraft®, HP FRAMER HIGH PRESSURE®, IMPACT SERIES™, Innovation That Works®, Jet-Lock®, Job Boss®, Kickstand®, LASERLOC®, LONG-LASTING WORK LIFE®, MAX FORCE™, MAX LIFE®, Micro-Set®, Midi-Lathe®, Monsoon®, MONSTER-CARBIDE™, Network®, OLDHAM®, Omnijig®, PC EDGE®, Performance Crew™, Performance Gear®, Pocket Cutter®, Porta-Band®, Porta-Plane®, PORTER-CABLE®, PORTER-CABLE Professional Power Tools®, Powerback®, POZI-STOP™, Pressure Wave®, PRO 4000®, Proair®, Quicksand and Design®, Quickset II®, QUIET DRIVE TECHNOLOGY™, QUIET DRIVE TECHNOLOGY AND DESIGN™, Quik-Change®, QUIK-TILT®, RAPID-RELEASE™, RAZOR®, Redefining Performance®, Riptide®, Safe Guard II®, Sand Trap and Design®, Sanding Center®, Saw Boss®, Shop Boss®, Sidekick®, Site Boss®, Speed-Bloc®, Speedmatic®, Stair Ease®, Steel Driver Series®, SUPERDUTY®, T4 & DESIGN®, THE AMERICAN WOODSHOP®, THE PROFESSIONAL EDGE®, Thin-Line®, Tiger Saw®, TIGERCLAW®, TIGERCLAW AND DESIGN®, Torq-Buster®, TRU-MATCH®, T-Square®, Twinlaser®, Unifence®, Uniguard®, UNIRIP®, UNISAW®, UNITED STATES SAW®, Veri-Set®, Versa-Feeder®, VIPER®, VT™, VT RAZOR™, Water Driver®, WATER VROOM®, Waveform®, Whisper Series®, X5®, YOUR ACHIEVEMENT. OUR TOOLS.®

Trademarks noted with ® are registered in the United States Patent and Trademark Office and may also be registered in other countries. Other trademarks may apply. Les marques de commerce suivies du symbole ® sont enregistrées auprès du United States Patent and Trademark Office et peuvent être enregistrées dans d’autres pays. D’autres marques de commerce peuvent également être applicables. Las marcas comerciales con el símbolo ® están registradas en la Oficina de patentes y marcas comerciales de Estados Unidos (United States Patent and Trademark Office), y también pueden estar registradas en otros países. Posiblemente se apliquen otras marcas comerciales registradas.

PORTER  CABLE

4825 Highway 45
North Jackson, TN 38305
(888) 848-5175
www.portercable.com

Raboteuse de 6,0 A



Manuel d'instructions

www.portercable.com

N° DE CATALOGUE
PC60THP

Avertissements de sécurité généraux pour les outils électriques

⚠ AVERTISSEMENT : Lire tous les avertissements de sécurité et toutes les directives. Le non-respect des avertissements et des directives pourrait se solder par un choc électrique, un incendie et/ou une blessure grave.

Conserver tous les avertissements et toutes les directives pour un usage ultérieur.

Le terme «outil électrique» cité dans les avertissements se rapporte à votre outil électrique à alimentation sur secteur (avec fil) ou par piles (sans fil).

1) Sécurité du lieu de travail

- a) **Tenir la zone de travail propre et bien éclairée.** *Les endroits sombres sont souvent des causes d'accidents.*
- b) **Ne pas faire fonctionner d'outils électriques dans un milieu déflagrant, soit en présence de liquides inflammables, de gaz ou de poussière.** *Les outils électriques produisent des étincelles qui peuvent enflammer la poussière ou les vapeurs.*
- c) **Éloigner les enfants et les curieux au moment d'utiliser un outil électrique.** *Une distraction pourrait vous en faire perdre la maîtrise.*

2) Sécurité en matière d'électricité

- a) **Les fiches des outils électriques doivent correspondre à la prise. Ne jamais modifier la fiche en aucune façon.** *Ne jamais utiliser de fiche d'adaptation avec un outil électrique mis à la terre. Le risque de choc électrique sera réduit par l'utilisation de fiches non modifiées correspondant à la prise.*
- b) **Éviter tout contact physique avec des surfaces mises à la terre comme des tuyaux, des radiateurs, des cuisinières et des réfrigérateurs.** *Le risque de choc électrique est plus élevé si votre corps est mis à la terre.*
- c) **Ne pas exposer les outils électriques à la pluie ou à d'autres conditions où il pourrait être mouillé.** *La pénétration de l'eau dans un outil électrique augmente le risque de choc électrique.*
- d) **Ne pas utiliser abusivement le cordon d'alimentation. Ne jamais utiliser le cordon pour transporter, tirer ou débrancher un outil électrique. Tenir le cordon éloigné de la chaleur, de l'huile, des bords tranchants ou des pièces mobiles.** *Les cordons endommagés ou emmêlés augmentent les risques de choc électrique.*
- e) **Pour l'utilisation d'un outil électrique à l'extérieur, se servir d'une rallonge convenant à une telle utilisation.** *L'utilisation d'une rallonge conçue pour l'extérieur réduit les risques de choc électrique.*
- f) **S'il est impossible d'éviter l'utilisation d'un outil électrique dans un endroit humide, brancher l'outil dans une prise ou sur un circuit d'alimentation dotés d'un disjoncteur de fuite à la terre (GFCI).** *L'utilisation de ce type de disjoncteur réduit les risques de choc électrique.*

3) Sécurité personnelle

- a) **Être vigilant, surveiller le travail effectué et faire preuve de jugement lorsqu'un outil électrique est utilisé. Ne pas utiliser d'outil électrique en cas de fatigue ou sous l'influence de drogues, d'alcool ou de médicaments.** *Un simple moment d'inattention en utilisant un outil électrique peut entraîner des blessures corporelles graves.*
- b) **Utiliser des équipements de protection individuelle. Toujours porter une protection oculaire.** *L'utilisation d'équipements de protection comme un masque antipoussière, des chaussures antidérapantes, un casque de sécurité ou des protecteurs auditifs lorsque la situation le requiert réduira les risques de blessures corporelles.*
- c) **Empêcher les démarrages intempestifs. S'assurer que l'interrupteur se trouve à la position d'arrêt avant de relier l'outil à une source d'alimentation et/ou d'insérer un bloc-piles, de ramasser ou de transporter l'outil.** *Transporter un outil électrique alors que le doigt repose sur l'interrupteur ou brancher un outil électrique dont l'interrupteur est à la position de marche risque de provoquer un accident.*

- d) **Retirer toute clé de réglage ou clé standard avant de démarrer l'outil.** *Une clé standard ou une clé de réglage attachée à une partie pivotante peut causer des blessures.*
- e) **Ne pas trop tendre les bras. Conserver son équilibre en tout temps.** *Cela permet de mieux maîtriser l'outil électrique dans les situations imprévues.*
- f) **S'habiller de manière appropriée. Ne pas porter de vêtements amples ni de bijoux. Garder les cheveux, les vêtements et les gants à l'écart des pièces mobiles.** *Les vêtements amples, les bijoux ou les cheveux longs risquent de rester coincés dans les pièces mobiles.*
- g) **Si des composants sont fournis pour le raccordement de dispositifs de dé poussiérage et de ramassage, s'assurer que ceux-ci sont bien raccordés et utilisés.** *L'utilisation d'un dispositif de dé poussiérage peut réduire les dangers engendrés par les poussières.*
- 4) **Utilisation et entretien d'un outil électrique**
- a) **Ne pas forcer un outil électrique. Utiliser l'outil électrique approprié à l'application.** *L'outil électrique approprié effectuera un meilleur travail, de façon plus sûre et à la vitesse pour laquelle il a été conçu.*
- b) **Ne pas utiliser un outil électrique dont l'interrupteur est défectueux.** *Tout outil électrique dont l'interrupteur est défectueux est dangereux et doit être réparé.*
- c) **Débrancher la fiche du secteur ou le bloc-piles de l'outil électrique avant de faire tout réglage ou changement d'accessoire, ou avant de ranger l'outil électrique.** *Ces mesures préventives réduisent les risques de démarrage accidentel de l'outil électrique.*
- d) **Ranger les outils électriques hors de la portée des enfants, et ne permettre à aucune personne n'étant pas familière avec un outil électrique (ou son manuel d'instruction) d'utiliser ce dernier.** *Les outils électriques deviennent dangereux entre les mains d'utilisateurs inexpérimentés.*
- e) **Entretenir les outils électriques. Vérifier les pièces mobiles pour s'assurer qu'elles sont bien alignées et tournent librement, qu'elles sont en bon état et ne sont affectées par aucun trouble susceptible de nuire au bon fonctionnement de l'outil électrique. En cas de dommage, faire réparer l'outil électrique avant toute nouvelle utilisation.** *Beaucoup d'accidents sont causés par des outils électriques mal entretenus.*
- f) **S'assurer que les outils de coupe sont aiguisés et propres.** *Les outils de coupe bien entretenus et affûtés sont moins susceptibles de se coincer et sont plus faciles à contrôler.*
- g) **Utiliser l'outil électrique, les accessoires, les forets, etc. conformément aux présentes directives en tenant compte des conditions de travail et du travail à effectuer.** *L'utilisation d'un outil électrique pour toute opération autre que celle pour laquelle il a été conçu est dangereuse.*
- 5) **Réparation**
- a) **Faire réparer l'outil électrique par un réparateur professionnel en n'utilisant que des pièces de rechange identiques.** *Cela permettra de maintenir une utilisation sécuritaire de l'outil électrique.*

CONSIGNES DE SÉCURITÉ PARTICULIÈRES

- **Tenir l'outil électrique par sa surface de prise isolée dans une situation où l'accessoire de coupe pourrait entrer en contact avec un câble électrique dissimulé ou avec son propre cordon d'alimentation.** *Tout contact entre un fil « sous tension » et l'accessoire de coupe pourrait également mettre « sous tension » les pièces métalliques exposées de l'outil et électrocuter l'utilisateur.*
- **Utiliser des pinces ou tout autre moyen pratique de soutenir et de fixer solidement la pièce sur une plate-forme stable.** *Tenir la pièce avec la main ou contre son corps n'est pas suffisamment stable et risque de provoquer une perte de maîtrise de l'outil.*
- **Attendre que le couteau cesse de fonctionner avant de déposer l'outil.** *Un couteau exposé peut pénétrer dans la surface et causer une perte de maîtrise de l'outil et des blessures graves.*
- **Afin de réduire le risque de blessures, l'utilisateur doit lire et comprendre le mode d'emploi avant d'utiliser la raboteuse.**

- S'assurer que la tension correspond aux données précisées sur la plaque signalétique.
- Avant de brancher l'appareil à la source d'alimentation, s'assurer que l'interrupteur est réglé à la position arrêt.
- S'assurer d'éteindre (OFF) immédiatement l'outil si celui-ci est coincé dans la pièce.
- S'assurer que l'outil est réglé à la bonne profondeur avant de l'allumer (ON).
- S'assurer d'utiliser uniquement les pièces de rechange précisées.
- S'assurer que l'outil est débranché au moment de le nettoyer ou d'y apporter des réglages.
- S'assurer de bien entretenir l'outil. Suivre les consignes de graissage et de changement d'accessoires.
- Demeurer vigilant : ne jamais utiliser l'outil en cas de fatigue ou sous l'effet de drogues, d'alcool ou de médicaments.
- S'assurer de ranger l'outil dans un endroit propre et sec après l'avoir débranché de la source d'alimentation.
- Ne pas utiliser cet outil dans un environnement dangereux. Ne pas utiliser près de substances inflammables ou dans un endroit humide ou mouillé et ne pas exposer à la pluie.
- S'assurer que les lames sont montées comme le décrit le mode d'emploi et vérifier si les vis sont bien serrées avant de brancher l'appareil à la source d'alimentation.
- Tenir les événements libres de toute obstruction pour assurer le refroidissement adéquat du moteur.
- NE PAS déposer l'outil sur la semelle si les lames sont exposées. Cela risque d'écailler les lames.
- Tenir la goulotte d'éjection latérale libre de toute obstruction, en tout temps.
- Ne jamais mettre la main sous l'outil pour quelque raison que ce soit à moins qu'il ne soit éteint et DÉBRANCHÉ. LES LAMES SONT EXPOSÉES ET EXTRÊMEMENT TRANCHANTES.
- Utiliser cet outil pour travailler le bois et les produits en bois seulement.
- Ne jamais utiliser l'outil sans bien tenir la poignée avant.
- Toujours utiliser la raboteuse à deux mains.
- Les lames de la raboteuse sont extrêmement tranchantes. Manipuler avec grand soin.
- Nettoyer l'outil régulièrement, particulièrement après une utilisation intensive.

⚠AVERTISSEMENT : TOUJOURS porter des lunettes de sécurité. Les lunettes de vue ne constituent PAS des lunettes de sécurité. Utiliser également un masque facial ou anti-poussière si l'opération de découpe génère de la poussière. **TOUJOURS PORTER UN ÉQUIPEMENT DE PROTECTION HOMOLOGUÉ :**

- protection oculaire conforme à la norme ANSI Z87.1 (CAN/CSA Z94.3);
- protection auditive ANSI S12.6 (S3.19);
- protection des voies respiratoires conformes aux normes NIOSH/OSHA/MSHA.

⚠AVERTISSEMENT : certains outils électriques, tels que les sableuses, les scies, les meules, les perceuses ou certains autres outils de construction, peuvent produire de la poussière contenant des produits chimiques reconnus par l'État de la Californie comme étant susceptibles d'entraîner le cancer, des malformations congénitales ou pouvant être nocifs pour le système reproductif. Parmi ces produits chimiques, on retrouve :

- le plomb dans les peintures à base de plomb,
- la silice cristalline dans les briques et le ciment et autres produits de maçonnerie,
- l'arsenic et le chrome dans le bois de sciage ayant subi un traitement chimique.

Le risque associé à de telles expositions varie selon la fréquence avec laquelle on effectue ces travaux. Pour réduire l'exposition à de tels produits, il faut travailler dans un endroit bien aéré et utiliser le matériel de sécurité approprié, tel un masque anti-poussières spécialement conçu pour filtrer les particules microscopiques.

- **Éviter tout contact prolongé avec la poussière soulevée par cet outil ou autres outils électriques. Porter des vêtements de protection et nettoyer les parties exposées du corps à l'eau savonneuse.** S'assurer de bien se protéger afin d'éviter d'absorber par la bouche, les yeux ou la peau des produits chimiques nocifs.

⚠AVERTISSEMENT : Cet outil peut produire et répandre de la poussière susceptible de causer des dommages sérieux et permanents au système respiratoire. Toujours utiliser un appareil respiratoire anti-poussières approprié approuvé par le NIOSH ou l'OSHA. Diriger les particules dans le sens opposé du visage et du corps.

⚠ AVERTISSEMENT : Toujours porter une protection auditive appropriée conformément à la norme ANSI S12.6 (S3.19) lors de l'utilisation du produit. Dans certaines conditions et selon la durée d'utilisation, le bruit émis par ce produit peut contribuer à une perte auditive.

LIGNES DIRECTRICES EN MATIÈRE DE SÉCURITÉ - DÉFINITIONS

Il est important que vous lisiez et compreniez ce mode d'emploi. Les informations qu'il contient concernent VOTRE SÉCURITÉ et visent à ÉVITER TOUT PROBLÈME. Les symboles ci-dessous servent à vous aider à reconnaître cette information.

⚠ DANGER : Indique une situation dangereuse imminente qui, si elle n'est pas évitée, causera la mort ou des graves blessures.

⚠ AVERTISSEMENT : Indique une situation potentiellement dangereuse qui, si elle n'est pas évitée, pourrait causer la mort ou de graves blessures.

⚠ MISE EN GARDE : Indique une situation potentiellement dangereuse qui, si elle n'est pas évitée, pourrait causer des blessures mineures ou modérées.

AVIS : Utilisé sans le symbole d'alerte à la sécurité, indique une situation potentiellement dangereuse qui, si elle n'est pas évitée, peut résulter en des dommages à la propriété.

SYMBOLES

- L'étiquette apposée sur votre outil pourrait comprendre les symboles suivants. Les symboles et leurs définitions sont indiqués ci-après :

Vvolts

A.....ampères

Hzhertz

Wwatts

minminutes

~courant alternatif

— — —courant continue

nonrégime à vide

ⓈConstruction de classe I
(mis à la terre)

ⓂConstruction classe II ⊕borne de terre

⚠symbole d'alerte à laminor rpm ...révolutions ou alternance par minute
sécurité

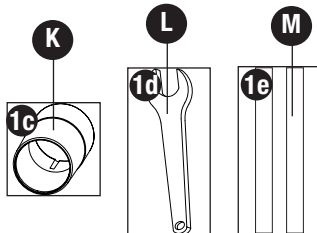
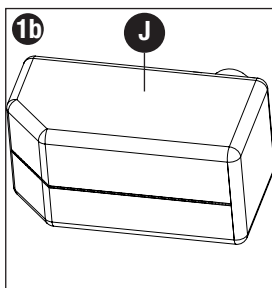
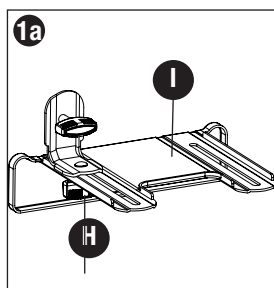
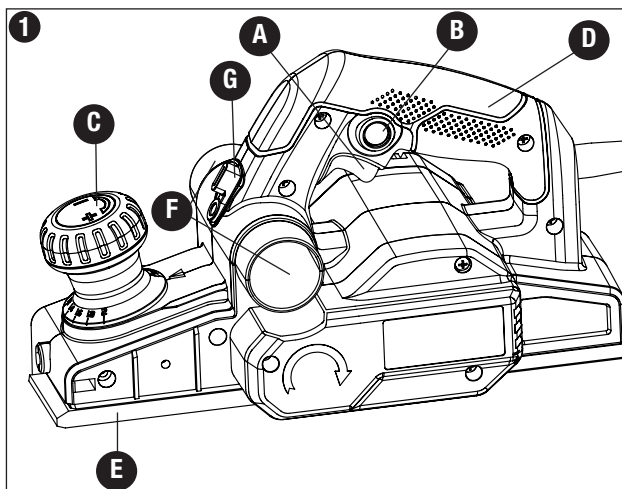
- Lorsque qu'une rallonge électrique est utilisée, s'assurer d'en utiliser une de calibre suffisamment élevé pour assurer le transport du courant nécessaire au fonctionnement de votre appareil. Un cordon de calibre inférieur causera une chute de tension de ligne et donc une perte de puissance et une surchauffe. Le tableau indique le calibre approprié à utiliser selon la longueur du cordon et l'intensité nominale de la plaque signalétique. En cas de doute, utiliser le calibre suivant le plus gros. Plus le numéro de calibre est petit, plus le cordon est lourd.

Calibre minimal des cordons de rallonge					
Tension	Longueur totale du cordon en pieds				
120V	0-25	26-50	51-100	101-150	
	(0-7,6m)	(7,6-15,2m)	(15,2-30,4m)	(30,4-45,7m)	
240V	0-50	51-100	101-200	201-300	
	(0-15,2m)	(15,2-30,4m)	(30,4-60,9m)	(60,9-91,4m)	
Intensité (A)		Calibre moyen des fils (AWG)			
Au moins	Au plus				
0	- 6	18	16	16	14
6	- 10	18	16	14	12
10	- 12	16	16	14	12
12	- 16	14	12	Non recommandé	

CONSERVER CES DIRECTIVES

Composants

- A. Détente
- B. Bouton de verrouillage
- C. Bouton de réglage de la profondeur/poignée avant
- D. Poignée de la détente
- E. Semelle
- F. Goulotte d'éjection de copeaux
- G. Levier de défecteur à copeaux
- H. Bouton de réglage du guide de refeuillement
- I. Guide de refeuillement
- J. Sac à poussière
- K. Adaptateur d'aspirateur
- L. Clé
- M. Lames
- N. Pare-main (non illustré)



FONCTIONNEMENT

Interrupteur (figure 2)

⚠MISE EN GARDE : Avant de brancher l'outil, s'assurer qu'il n'est pas verrouillé sur marche. Si la détente est verrouillée sur marche au moment où l'alimentation est mise, l'outil démarrera immédiatement. L'outil risquerait d'être endommagé, et il pourrait en résulter des blessures corporelles.

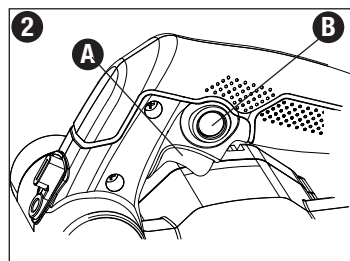
⚠MISE EN GARDE : Laisser l'outil atteindre son plein régime avant de toucher la surface de la pièce avec l'outil. Soulever l'outil de la surface de la pièce avant d'arrêter le moteur.

Pour allumer la raboteuse, enfoncer la détente (A) illustrée à la **figure 2**. Pour éteindre la raboteuse, relâcher la détente.

Bouton de verrouillage (figure 2)

L'outil peut être verrouillé en position de marche pour une utilisation continue. Pour verrouiller l'outil en marche (ON), enfoncer la détente (A), puis appuyer sur le bouton de verrouillage (B). Maintenir le bouton de verrouillage enfoncé en relâchant doucement la détente. L'outil maintiendra son régime.

Pour éteindre l'outil verrouillé en mode continu, presser une fois sur la détente et la relâcher.

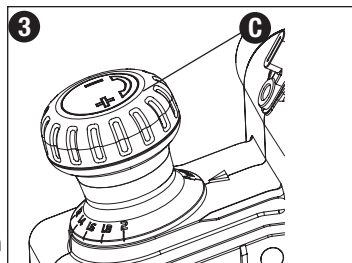


Réglage de la profondeur de rabotage (figure 3)

⚠AVERTISSEMENT : Éteindre et débrancher l'outil avant d'effectuer tout réglage ou d'enlever ou d'installer tout accessoire.

Profondeur de rabotage à réglage continu, soit de 0 à 2 mm (5/64 po). Pour régler la profondeur de coupe, tourner le bouton de réglage de la profondeur/poignée avant (C), dans le sens horaire, à partir de la position « P ». La profondeur de coupe augmentera, passant de 0 à 2 mm (0,079 po).

Il est recommandé d'effectuer des coupes d'essai sur une pièce de chute après chaque nouveau réglage afin de s'assurer que la quantité souhaitée de bois est enlevée par la raboteuse. Plusieurs passages de faible profondeur (plutôt qu'un passage profond) produiront un fini plus lisse.



Rabotage (figures 4, 5, 6)

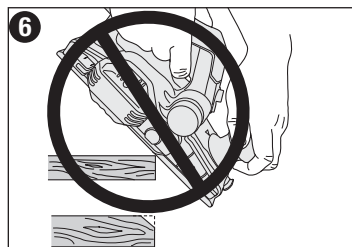
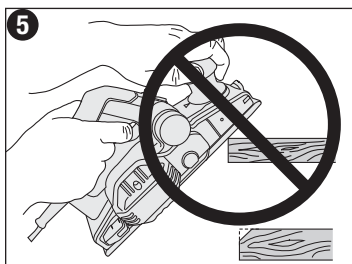
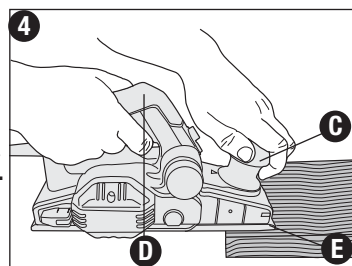
⚠AVERTISSEMENT : Attendre que le couteau cesse de fonctionner avant de déposer l'outil. Un couteau exposé peut pénétrer dans la surface et causer une perte de maîtrise de l'outil et des blessures graves.

⚠MISE EN GARDE : Laisser l'outil atteindre son plein régime avant de toucher la surface de la pièce avec l'outil. Soulever l'outil de la surface de la pièce avant d'arrêter le moteur.

Tenir la raboteuse dans la bonne position, à savoir : une main sur la poignée avant (C) et l'autre main sur la poignée de la détente (D) comme le montre la **figure 4**. Mettre la partie avant de la semelle (E) sur la surface à raboter en s'assurant que les lames de coupe n'entrent pas en contact avec la surface. Enfoncer fermement la poignée avant de la raboteuse de manière à ce que la semelle avant soit **ABSOLUMENT À PLAT** sur la surface de travail. Enfoncer la détente et laisser le moteur atteindre son plein régime avant de laisser les lames de la raboteuse entrer en contact avec la surface de travail.

Déplacer lentement l'outil sur la pièce et maintenir une pression descendante afin de garder la raboteuse à plat. Être particulièrement prudent dans le maintien de l'outil à plat au début et à la fin de la surface de travail (**figures 4, 5, 6**).

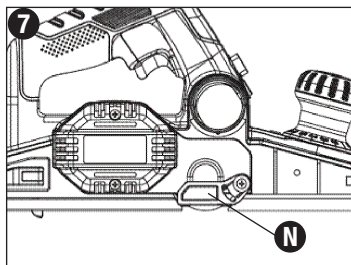
Conseil de rabotage : Pour obtenir un aspect plus lisse, fixer une pièce de chute de bois à l'extrémité de la pièce qui est rabotée. Ne pas cesser le rabotage avant que les lames de coupe de la raboteuse n'aient dépassé la pièce de travail et soient sur la pièce de chute.



Pare-main (figure 7)

S'assurer que le pare-main à ressort (N) est en bon état de marche avant d'utiliser la raboteuse.

⚠AVERTISSEMENT : Risque de coupure. Ne pas retirer le pare-main.



Guide de refeuillement (figures 8, 9)

⚠AVERTISSEMENT : Éteindre et débrancher l'outil avant d'effectuer tout réglage ou d'enlever ou d'installer tout accessoire.

⚠MISE EN GARDE : Laisser l'outil atteindre son plein régime avant de toucher la surface de la pièce avec l'outil. Soulever l'outil de la surface de la pièce avant d'arrêter le moteur.

Le guide de refeuillement peut être installé d'un côté ou de l'autre de la raboteuse. La raboteuse peut effectuer des coupes de refeuillement d'une profondeur maximale de 12 mm (0,5 po).

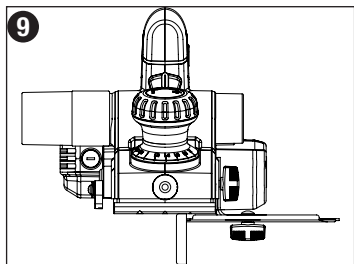
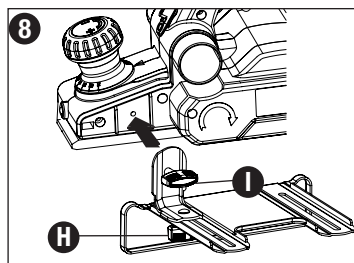
POUR INSTALLER UN GUIDE DE REFEUILLEMENT

a. Visser le bouton (I) dans l'orifice situé du côté de la raboteuse qui est montré par une flèche à la figure 8.

b. Desserrer le bouton de réglage du guide de refeuillement (H), puis régler le guide à une distance souhaitée.

c. Bien serrer le bouton de réglage du guide de refeuillement (H).

d. Le guide de refeuillement est installé correctement s'il se trouve sous la raboteuse, comme le montre la figure 9.



POUR EFFECTUER UNE COUPE DE REFEUILLEMENT

a. Tourner le bouton de réglage du guide de refeuillement (H) pour régler la profondeur souhaitée de la coupe.

b. Effectuer plusieurs coupes jusqu'à ce que la profondeur souhaitée soit atteinte.

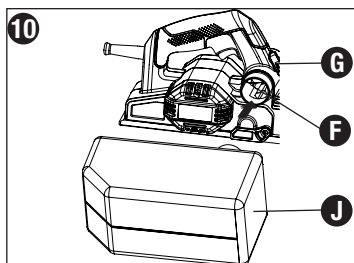
REMARQUE : Pour la plupart des applications de refeuillement, il sera nécessaire d'effectuer plusieurs coupes.

Sac collecteur (figure 10)

⚠AVERTISSEMENT : Éteindre et débrancher l'outil avant d'effectuer tout réglage ou d'enlever ou d'installer tout accessoire.

a. Pour fixer le sac, aligner les repères de la rainure de clavette sur la goulotte d'éjection et le cadre du sac. Fixer le sac (J) d'un côté ou de l'autre de la goulotte d'éjection de copeaux (F). Vider régulièrement le sac pour éviter tout bourrage.

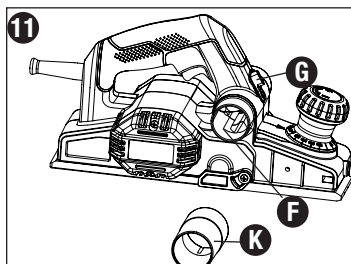
b. Pour éviter que les copeaux sortent du côté opposé à la goulotte d'éjection de copeaux, déplacer le levier du déflecteur à copeaux (G) vers le côté opposé au sac.



Adaptateur d'aspirateur (figure 11)

⚠AVERTISSEMENT : Éteindre et débrancher l'outil avant d'effectuer tout réglage ou d'enlever ou d'installer tout accessoire.

- Glisser l'adaptateur d'aspirateur (K) au-dessus de la goulotte d'éjection de copeaux (F).
- Raccorder le tuyau de l'aspirateur (non compris) à l'adaptateur.
- Pour éviter que les copeaux sortent du côté opposé à la goulotte d'éjection de copeaux, déplacer le levier du déflecteur à copeaux (G) vers le côté opposé à l'adaptateur.



Pour changer les lames (figure 12)

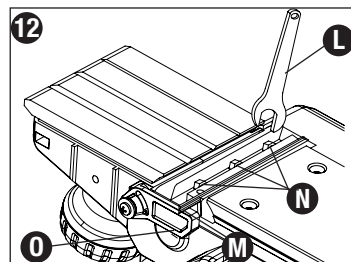
⚠AVERTISSEMENT : Éteindre et débrancher l'outil avant d'effectuer tout réglage ou d'enlever ou d'installer tout accessoire.

⚠AVERTISSEMENT : Risque de coupure. Les lames de la raboteuse sont tranchantes et doivent être manipulées avec soin.

REMARQUE : Le modèle PC60THP comprend deux lames, soit une de chaque côté du tambour à lames. Toute opération ou tout réglage doit être effectué aux deux lames. Les lames de coupe fournies avec cet outil sont réversibles. Un autre ensemble de lames est compris.

Pour déposer la lame de la raboteuse

- Mettre la raboteuse à l'envers comme le montre la figure 12.
- Desserrer les trois écrous (N) à l'aide de la clé (L) fournie.
- Tourner le pare-main (O) vers le bas. Retirer soigneusement la lame (M) en la glissant hors du porte-lame. Un morceau de bois peut être utilisé à cette fin.
- Inverser la lame pour que la section non utilisée se mette en place. Si les deux côtés sont usés, il faut remplacer la lame.

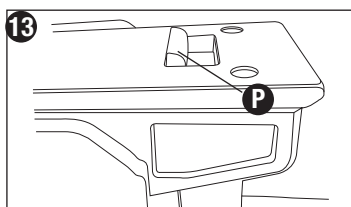


Pour réinstaller la lame

- Glisser la lame latéralement dans le porte-lame de manière à l'appuyer contre la butée. La rainure de la lame doit être orientée vers l'arrière de l'outil.
- Desserrer les trois écrous à l'aide de la clé fournie.
- Tourner le tambour à lames de 180 degrés, puis refaire l'opération pour l'autre lame.
- Toujours remplacer les deux lames.

Pied d'immobilisation (figure 13)

La raboteuse est dotée d'un pied d'immobilisation (P) qui descend automatiquement en place lorsque l'outil est soulevé de la surface de travail. Durant le rabotage, le pied d'immobilisation s'élève lorsque l'outil est poussé vers l'avant. Lorsque le pied d'immobilisation est descendu, la raboteuse peut reposer sur la surface de travail sans que la lame entre en contact avec la surface.

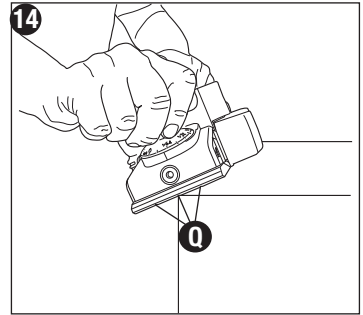


⚠ MISE EN GARDE : Ne pas verrouiller la détente en position de marche et engager le pied d'immobilisation. La vibration du moteur qui tourne fera déplacer la raboteuse, laquelle risque de tomber de la pièce.

Chanfreinage de bordure (figure 14)

La raboteuse comprend trois rainures de chanfreinage usinées de précision : 1,5 mm, 2,0 mm et 2,5 mm (Q). Elles sont situées sur la semelle avant et sont utilisées pour le rabotage le long d'un coin de matériau (figure 14).

- Régler à la profondeur de coupe souhaitée.
- Mettre la rainure (Q) sur le bord du matériau.
- Appliquer un poids à l'avant de la semelle de manière à ce que la rainure soit à plat sur le bord du matériau.
- Tenir l'outil des deux mains en maintenant une pression sur la poignée avant.



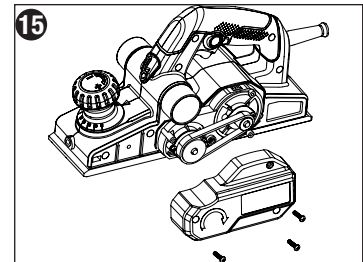
Remarque : C'est une bonne idée d'essayer sur une pièce de chute de bois avant de procéder aux travaux de finition.

Courroie d'entraînement (figure 15)

⚠AVERTISSEMENT : Éteindre et débrancher l'outil avant d'effectuer tout réglage ou d'enlever ou d'installer tout accessoire.

Pour remplacer la courroie

- Desserrer les trois vis illustrées à la figure 15, puis enlever le couvercle de la courroie.
- Retirer l'ancienne courroie.
- Mettre la courroie neuve au-dessus de la poulie avant, puis tourner la courroie dans le sens horaire tout en la poussant sur la poulie arrière.
- Fixer le couvercle de la courroie et bien serrer les vis.



Entretien

Nettoyage

⚠AVERTISSEMENT : Éteindre et débrancher l'outil avant de nettoyer la goulotte d'éjection de copeaux. Nettoyer régulièrement la goulotte d'éjection de copeaux (F). TOUJOURS PORTER DES LUNETTES DE SÉCURITÉ.

⚠MISE EN GARDE : Ne jamais utiliser de solvants ni d'autres produits chimiques durs pour nettoyer les pièces non métalliques de l'outil.

N'utiliser qu'un savon doux et un chiffon humide pour nettoyer l'outil. Ne jamais laisser de liquide pénétrer dans l'outil et n'immerger aucune partie de l'outil dans un liquide.

DÉPANNAGE

Problème

- L'appareil refuse de démarrer.

Cause possible

- Cordon d'alimentation non branché.
- Le fusible du circuit est grillé.
- Le disjoncteur est déclenché.
- Le cordon d'alimentation ou la prise de courant est endommagé(e).

Solution possible

- Brancher l'outil dans une prise qui fonctionne.
- Remplacer le fusible du circuit. (Si le produit fait griller de façon répétée le fusible du circuit, arrêter immédiatement d'utiliser le produit et le faire réparer dans un centre de réparation Porter-Cable ou un centre de réparation autorisé.)
- Remettre le disjoncteur à zéro. (Si le produit fait déclencher de façon répétée le disjoncteur, arrêter immédiatement d'utiliser le produit et le faire réparer dans un centre de réparation Porter-Cable ou un centre de réparation autorisé.)
- Faire remplacer le cordon ou l'interrupteur au centre de réparation Porter-Cable ou à un centre de réparation autorisé.

Pour obtenir de l'aide avec l'outil, consulter notre site Web www.portercable.com pour l'emplacement du centre de réparation le plus près ou communiquer avec l'assistance **Porter-Cable** au **1-800-544-6986**.

PIÈCES DE RECHANGE


Utiliser seulement des pièces de rechange identiques. Pour obtenir une liste des pièces de rechange ou pour en commander, consulter le site Web www.portercable.com. Il est également possible de commander des pièces au centre de réparation de l'usine PORTER-CABLE et au centre de réparation sous garantie autorisé PORTER-CABLE le plus près. Ou composer le 1-888-848-5175 pour le service à la clientèle.

ENTRETIEN ET RÉPARATION

Ce produit n'est pas réparable par l'utilisateur. Aucune pièce à l'intérieur du chargeur ne peut être réparée par l'utilisateur. Pour éviter tout dommage aux composants internes sensibles à l'électricité statique, faire effectuer toute réparation par un centre de réparation autorisé. Pour de plus amples renseignements à propos de PORTER-CABLE, ses centres de réparation en usine ou ses centres de réparation sous garantie autorisés, visiter notre site Web au www.portercable.com ou communiquer avec notre centre de service à la clientèle en composant le 888-848-5175. Toutes les réparations effectuées dans nos centres de réparation sont entièrement garanties contre les défauts de matériaux et de main-d'oeuvre. Nous ne pouvons pas garantir les réparations effectuées en partie ou totalement par d'autres.

Pour de plus amples renseignements par courrier, écrire à PORTER-CABLE, 4825 Highway 45 North, Jackson, Tennessee 38305, (888) 848-5175, É.-U. - à l'attention de : Product Service. S'assurer d'indiquer toutes les informations figurant sur la plaque signalétique de l'outil (numéro du modèle, type, numéro de série, etc.).

ACCESSOIRES

 **AVERTISSEMENT** : Puisque les accessoires autres que ceux offerts par PORTER-CABLE n'ont pas été testés avec ce produit, l'utilisation de ceux-ci avec l'outil pourrait s'avérer dangereuse. Pour réduire le risque de blessures, utiliser exclusivement les accessoires PORTER-CABLE recommandés avec le produit. Les centres de réparation de l'usine PORTER-CABLE ou les centres de réparation sous

garantie autorisés PORTER-CABLE sont en mesure de vous fournir la gamme complète d'accessoires. Consulter le site Web www.portercable.com pour obtenir un catalogue ou le nom du fournisseur local.

GARANTIE LIMITÉE DE TROIS ANS

PORTER-CABLE réparera ou remplacera gratuitement tous les outils défectueux présentant des défauts de matériau ou de fabrication pendant trois ans à compter de la date d'achat [garantie de deux ans pour les blocs-piles]. Cette garantie ne couvre pas des défaillances de pièce dues à une usure normale ou à une mauvaise utilisation de l'outil. Pour plus de détails relatifs à la couverture de la garantie et aux réparations sous garantie, visiter le site www.portercable.com ou composer le 888-848-5175. Cette garantie ne s'applique pas aux accessoires ni aux dommages causés par des réparations réalisées ou tentées par des tiers. Cette garantie vous accorde des droits légaux spécifiques et il est possible que vous ayez d'autres droits qui varient d'un État ou d'une province à l'autre.

En plus de la garantie, les outils PORTER-CABLE sont couverts par notre :

SERVICE D'ENTRETIEN GRATUIT D'UN (1) AN : PORTER-CABLE entretiendra l'outil et remplacera les pièces usées par une utilisation normale, et ce, gratuitement et à tout instant pendant la première année à compter de la date d'achat.

GARANTIE DE REMBOURSEMENT DE 90 JOURS : Si l'utilisateur n'est pas entièrement satisfait des performances de son outil électrique PORTER-CABLE pour une raison quelconque, il peut le retourner accompagné du reçu dans les 90 jours suivant la date d'achat, et nous le lui rembourserons entièrement - sans poser de question.

AMÉRIQUE LATINE : cette garantie ne s'applique pas aux produits vendus en Amérique latine. Pour ceux-ci, veuillez consulter les informations relatives à la garantie spécifique présente dans l'emballage, appeler l'entreprise locale ou consulter le site Web pour les informations relatives à cette garantie.

Pour enregistrer l'outil en vue d'obtenir un service de garantie, consulter notre site Web au www.portercable.com.

REPLACEMENT DES ÉTIQUETTES D'AVERTISSEMENT

Si vos étiquettes d'avertissement sont illisibles ou manquantes, contactez le 888-848-5175 pour en obtenir le remplacement gratuit.

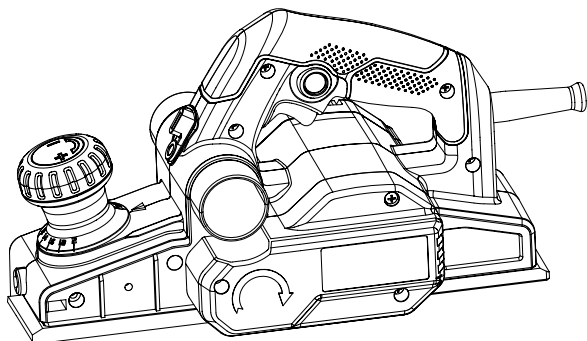
Les éléments ci-dessous sont des marques de commerce des outils et des accessoires de PORTER-CABLE : un agencement de couleurs grise et noire; un motif d'« étoile à quatre pointes » et trois bandes longitudinales contrastantes/à contours. Les marques suivantes sont également des marques de commerce se rapportant à un ou plusieurs produits PORTER-CABLE ou Delta : 2 BY 4®, 890™, Air America®, AIRBOSS™, Auto-Set®, B.O.S.S.®, Bammer®, Biesemeyer®, Builders Saw®, Charge Air®, Charge Air Pro®, CONTRACTOR SUPERDUTY®, Contractor's Saw®, Delta®, DELTA®, Delta Industrial®, DELTA MACHINERY & DESIGN™, Delta Shopmaster and Design®, Delta X5®, Deltacraft®, DELTAGRAM®, Do It. Feel It.®, DUAL LASERLOC AND DESIGN®, EASY AIR®, EASY AIR TO GO™, ENDURADIAMOND®, Ex-Cell®, Front Bevel Lock®, Get Yours While the Sun Shines®, Grip to Fit®, GRIPVAC™, GTF®, HICKORY WOODWORKING®, Homecraft®, HP FRAMER HIGH PRESSURE®, IMPACT SERIES™, Innovation That Works®, Jet-Lock®, Job Boss®, Kickstand®, LASERLOC®, LONG-LASTING WORK LIFE®, MAX FORCE™, MAX LIFE®, Micro-Set®, Midi-Lathe®, Monsoon®, MONSTER-CARBIDE™, Network®, OLDHAM®, Omnijig®, PC EDGE®, Performance Crew™, Performance Gear®, Pocket Cutter®, Porta-Band®, Porta-Plane®, PORTER-CABLE®, PORTER-CABLE Professional Power Tools®, Powerback®, POZI-STOP™, Pressure Wave®, PRO 4000®, Proair®, Quicksand and Design®, Quickset II®, QUIET DRIVE TECHNOLOGY™, QUIET DRIVE TECHNOLOGY AND DESIGN™, Quik-Change®, QUIK-TILT®, RAPID-RELEASE™, RAZOR®, Redefining Performance®, Riptide®, Safe Guard II®, Sand Trap and Design®, Sanding Center®, Saw Boss®, Shop Boss®, Sidekick®, Site Boss®, Speed-Bloc®, Speedmatic®, Stair Ease®, Steel Driver Series®, SUPERDUTY®, T4 & DESIGN®, THE AMERICAN WOODSHOP®, THE PROFESSIONAL EDGE®, Thin-Line®, Tiger Saw®, TIGERCLAW®, TIGERCLAW AND DESIGN®, Torq-Buster®, TRU-MATCH®, T-Square®, Twinlaser®, Unifence®, Uniguard®, UNIRIP®, UNISAW®, UNITED STATES SAW®, Veri-Set®, Versa-Feeder®, VIPER®, VT™, VT RAZOR™, Water Driver®, WATER VROOM®, Waveform®, Whisper Series®, X5®, YOUR ACHIEVEMENT. OUR TOOLS.®

Les marques de commerce suivies du symbole ® sont enregistrées auprès du United States Patent and Trademark Office et peuvent être enregistrées dans d'autres pays. D'autres marques de commerce peuvent également être applicables.

PORTER  CABLE

4825 Highway 45 North,
Jackson, Tennessee 38305,
(888) 848-5175
www.portercable.com

Cepilladora de 6,0 amperios



Manual de instrucciones

www.portercable.com

INSTRUCTIVO DE OPERACIÓN,
CENTROS DE SERVICIO Y PÓLIZA DE
GARANTÍA.

⚠ ADVERTENCIA: LÉASE ESTE
INSTRUCTIVO ANTES DE USAR EL
PRODUCTO.

CATÁLOGO N°
PC60THP

Advertencias generales de seguridad para herramientas eléctricas

⚠️ ADVERTENCIA: Lea todas las advertencias de seguridad e instrucciones. El incumplimiento de las advertencias e instrucciones puede provocar descargas eléctricas, incendios o lesiones graves.

Conserve todas las advertencias e instrucciones para futuras consultas.

El término “herramienta eléctrica” incluido en las advertencias hace referencia a las herramientas eléctricas operadas con corriente (con cable eléctrico) o a las herramientas eléctricas operadas con baterías (inalámbricas).

1) Seguridad en el área de trabajo

- a) **Mantenga el área de trabajo limpia y bien iluminada.** *Las áreas abarrotadas y oscuras propician accidentes.*
- b) **No opere herramientas eléctricas en atmósferas explosivas, como ambientes donde se encuentran líquidos, gases o polvo inflamables.** *Las herramientas eléctricas originan chispas que pueden encender el polvo o los vapores.*
- c) **Mantenga a los niños y espectadores alejados de la herramienta eléctrica en funcionamiento.** *Las distracciones pueden provocar la pérdida de control.*

2) Seguridad eléctrica

- a) **Los enchufes de la herramienta eléctrica deben adaptarse al tomacorriente. Nunca modifique el enchufe de ninguna manera. No utilice ningún enchufe adaptador con herramientas eléctricas con conexión a tierra.** *Los enchufes no modificados y que se adaptan a los tomacorrientes reducirán el riesgo de descarga eléctrica.*
- b) **Evite el contacto corporal con superficies puestas a tierra, como por ejemplo tuberías, radiadores, rangos y refrigeradores.** *Existe mayor riesgo de descarga eléctrica si su cuerpo está puesto a tierra.*
- c) **No exponga las herramientas eléctricas a la lluvia o a condiciones de humedad.** *Si ingresa agua a una herramienta eléctrica, aumentará el riesgo de descarga eléctrica.*
- d) **No maltrate al cable. Nunca utilice el cable para transportar, tirar o desenchufar la herramienta eléctrica. Mantenga el cable lejos del calor, aceite, bordes afilados o piezas móviles.** *Los cables dañados o enredados aumentan el riesgo de descarga eléctrica.*
- e) **Al operar una herramienta eléctrica en el exterior, utilice un cable prolongador adecuado para tal uso.** *Utilice un cable adecuado para uso en exteriores a fin de reducir el riesgo de descarga eléctrica.*
- f) **Si el uso de una herramienta eléctrica en un lugar húmedo es imposible de evitar, utilice un suministro protegido con un interruptor de circuito por falla a tierra (GFCI).** *El uso de un GFCI reduce el riesgo de descargas eléctricas.*

3) Seguridad personal

- a) **Permanezca alerta, controle lo que está haciendo y utilice el sentido común cuando emplee una herramienta eléctrica.** *No utilice una herramienta eléctrica si está cansado o bajo el efecto de drogas, alcohol o medicamentos. Un momento de descuido mientras se opera una herramienta eléctrica puede provocar lesiones personales graves.*
- b) **Utilice equipos de protección personal. Siempre utilice protección para los ojos.** *En las condiciones adecuadas, el uso de equipos de protección, como máscaras para polvo, calzado de seguridad antideslizante, cascos o protección auditiva, reducirá las lesiones personales.*
- c) **Evite el encendido por accidente. Asegúrese de que el interruptor esté en la posición de apagado antes de conectarlo a la fuente de energía o paquete de baterías, o antes de levantar o transportar la herramienta.** *Transportar herramientas eléctricas con el dedo apoyado en el interruptor o enchufar herramientas eléctricas con el interruptor en la posición de encendido puede propiciar accidentes.*
- d) **Retire las clavijas de ajuste o llaves de tuercas antes de encender la herramienta eléctrica.** *Una llave de tuercas o una clavija de ajuste que se deje conectada a una pieza giratoria de la herramienta eléctrica pueden provocar lesiones personales.*

- e) **No se estire. Conserve el equilibrio adecuado y manténgase parado correctamente en todo momento.** *Esto permite un mejor control de la herramienta eléctrica en situaciones inesperadas.*
 - f) **Use la vestimenta adecuada. No use ropas holgadas ni joyas. Mantenga el cabello, la ropa y los guantes alejados de las piezas en movimiento.** *Las ropas holgadas, las joyas o el cabello largo pueden quedar atrapados en las piezas en movimiento.*
 - g) **Si se suministran dispositivos para la conexión de accesorios con fines de recolección y extracción de polvo, asegúrese de que estén conectados y que se utilicen correctamente.** *El uso de dispositivos de recolección de polvo puede reducir los peligros relacionados con el polvo.*
- 4) Uso y mantenimiento de la herramienta eléctrica**
- a) **No fuerce la herramienta eléctrica. Utilice la herramienta eléctrica correcta para el trabajo que realizará.** *La herramienta eléctrica correcta hará el trabajo mejor y más seguro a la velocidad para la que fue diseñada.*
 - b) **No utilice la herramienta eléctrica si no puede encenderla o apagarla con el interruptor.** *Toda herramienta eléctrica que no puede ser controlada mediante el interruptor es peligrosa y debe ser reparada.*
 - c) **Desconecte el enchufe de la fuente de energía y/o el paquete de baterías de la herramienta eléctrica antes de realizar ajustes, cambiar accesorios o almacenar herramientas eléctricas.** *Estas medidas de seguridad preventivas reducen el riesgo de encender la herramienta eléctrica en forma accidental.*
 - d) **Guarde las herramientas eléctricas que no están en uso fuera del alcance de los niños y no permite que otras personas no familiarizadas con ella o con estas instrucciones operen la herramienta.** *Las herramientas eléctricas son peligrosas en las manos de usuarios no entrenados.*
 - e) **Mantenimiento de las herramientas eléctricas. Controle que no haya piezas móviles mal alineadas o trabadas, piezas rotas y toda otra situación que pueda afectar el funcionamiento de las herramientas eléctricas. Si encuentra daños, haga reparar la herramienta eléctrica antes de utilizarla.** *Se producen muchos accidentes a causa de las herramientas eléctricas que carecen de un mantenimiento adecuado.*
 - f) **Mantenga las herramientas de corte afiladas y limpias.** *Las herramientas de corte con mantenimiento adecuado, con los bordes de corte afilados son menos propensas a trabarse y son más fáciles de controlar.*
 - g) **Utilice la herramienta eléctrica, los accesorios y las brocas de la herramienta, etc. de acuerdo con estas instrucciones y teniendo en cuenta las condiciones de trabajo y el trabajo que debe realizarse.** *El uso de la herramienta eléctrica para operaciones diferentes de aquéllas para las que fue diseñada podría originar una situación peligrosa.*
- 5) Mantenimiento**
- a) **Haga que una persona de reparaciones calificada realice el mantenimiento de su herramienta eléctrica y utilice piezas de repuesto idénticas solamente.** *Esto garantizará la seguridad de la herramienta eléctrica.*

NORMAS ESPECÍFICAS DE SEGURIDAD

- **Al realizar una operación en la que el accesorio de corte pueda tocar cables eléctricos ocultos o su propio cable, sostenga la herramienta eléctrica por las superficies de agarre aisladas.** *El contacto del accesorio de corte con un cable con corriente eléctrica puede provocar que las partes metálicas expuestas de la herramienta eléctrica también conduzcan la corriente y que el operador sufra una descarga eléctrica.*
- **Utilice abrazaderas u otra forma práctica para asegurar y sostener la pieza de trabajo en una plataforma estable.** *Sostener la pieza de trabajo con la mano o contra su cuerpo provoca inestabilidad y puede llevar a la pérdida del control.*
- **Espere hasta que la cuchilla se detenga antes de depositar la herramienta sobre una superficie.** *Una cuchilla expuesta puede embragar con la superficie y llevar a una posible pérdida de control y lesiones graves.*
- **Para reducir el riesgo de lesiones, el usuario debe leer y comprender el manual de instrucciones antes de operar la cepilladora.**

- Asegúrese de que el voltaje coincida con los datos específicos de la placa de identificación.
- Asegúrese de que el interruptor esté en la posición de apagado antes de conectar el enchufe en una fuente de energía.
- Si la herramienta se traba durante el funcionamiento, asegúrese de APAGARLA inmediatamente.
- Asegúrese de que la herramienta esté configurada para una profundidad correcta antes de ENCENDERLA.
- Asegúrese de que utiliza únicamente las piezas de repuesto especificadas.
- Asegúrese de que la herramienta esté desconectada de la fuente de energía al limpiarla o hacerle ajustes.
- Asegúrese de cuidar la herramienta debidamente. Siga las instrucciones para lubricar y cambiar los accesorios.
- Manténgase alerta: nunca opere la unidad si está cansado o bajo la influencia de drogas, alcohol o medicamentos.
- Asegúrese de guardar la herramienta en un lugar limpio y seco después de desconectarla de la fuente de energía.
- No la utilice en entornos peligrosos. No la utilice cerca de sustancias inflamables, en lugares húmedos o mojados, ni la exponga a la lluvia.
- Asegúrese de que las cuchillas estén montadas como se describe en el manual de instrucciones y verifique que todos los tornillos estén firmemente ajustados antes de conectar la unidad a la fuente de energía.
- Mantenga los orificios de ventilación libres de obstrucciones para un enfriamiento adecuado del motor.
- NO use la zapata para apoyar la herramienta sobre una superficie cuando las cuchillas estén expuestas. Esto puede mellar las cuchillas.
- Mantenga el conducto de descarga lateral libre de obstrucciones en todo momento.
- Nunca meta las manos bajo la herramienta por ningún motivo, a menos que esté apagada y DESENCHUFADA. LAS CUCHILLAS ESTÁN EXPUESTAS Y SON EXTREMADAMENTE FILOSAS.
- Utilice esta herramienta para trabajar únicamente con madera y productos de madera.
- Nunca la opere sin sostener firmemente el mango delantero.
- Siempre opere la cepilladora con ambas manos.
- Las cuchillas de la cepilladora son extremadamente filosas. Debe manipularse con cuidado extremo.
- Limpie la herramienta con frecuencia, especialmente después de un uso intensivo.

⚠ADVERTENCIA: USE SIEMPRE LENTES DE SEGURIDAD. Los anteojos de uso diario NO son lentes de seguridad. Utilice también máscaras faciales o para polvo si el corte produce polvillo. UTILICE SIEMPRE EQUIPOS DE SEGURIDAD CERTIFICADOS:

- Protección para los ojos según la norma ANSI Z87.1 (CAN/CSA Z94.3)
- Protección auditiva según la norma ANSI S12.6 (S3.19)
- Protección respiratoria según las normas NIOSH/OSHA/MSHA

⚠ADVERTENCIA: parte del polvo producido por las herramientas eléctricas al lijar, aserrar, esmerilar, taladrar y realizar otras actividades de la construcción, contiene productos químicos reconocidos por el Estado de California como causantes de cáncer, defectos de nacimiento u otros problemas reproductivos. Algunos de estos productos químicos son:

- el plomo de las pinturas de base plomo,
- la sílice cristalina de ladrillos, el cemento y otros productos de mampostería, y
- el arsénico y el cromo de la madera con tratamiento químico.

El riesgo derivado de estas exposiciones varía según la frecuencia con la que se realice este tipo de trabajo. Para reducir la exposición a estos productos químicos: trabaje en áreas bien ventiladas y trabaje con equipos de seguridad aprobados, como las máscaras para polvo especialmente diseñadas para filtrar las partículas microscópicas.

- Evite el contacto prolongado con el polvo procedente del lijado, serrado, esmerilado y taladrado eléctricos, así como de otras actividades del sector de la construcción. Lleve ropa protectora y lave con agua y jabón las zonas expuestas. Si permite que el polvo se introduzca en la boca u ojos o quede sobre la piel, puede favorecer la absorción de productos químicos peligrosos.

⚠ADVERTENCIA: El uso de esta herramienta puede generar o dispersar polvo lo cual puede causar lesiones respiratorias serias y permanentes y otros tipos de lesión. Siempre use protección respiratoria aprobada por NIOSH/OSHA para la exposición al polvo. Dirija las partículas en dirección opuesta a su cara y cuerpo.

⚠ADVERTENCIA: Durante el uso, siempre utilice protección individual para los oídos adecuada que cumpla con la norma ANSI S12.6 (S3.19). Bajo ciertas circunstancias y según el período de uso, el ruido producido por este producto puede contribuir a la pérdida de audición.

PAUTAS DE SEGURIDAD/DEFINICIONES

Es importante que lea y comprenda este manual. La información que contiene se relaciona con la protección de SU SEGURIDAD y la PREVENCIÓN DE PROBLEMAS. Los símbolos que siguen se utilizan para ayudarlo a reconocer esta información.

⚠ PELIGRO: indica una situación de peligro inminente que, si no se evita, provocará la muerte o lesiones graves.

⚠ ADVERTENCIA: indica una situación de peligro potencial que, si no se evita, provocará la muerte o lesiones graves.

⚠ PRECAUCIÓN: indica una situación de peligro potencial que, si no se evita, provocará lesiones leves o moderadas.

AVISO: utilizado sin el símbolo de alerta de seguridad indica una situación de peligro potencial que, si no se evita, puede provocar daños en la propiedad.

SÍMBOLOS

- La etiqueta de su herramienta puede incluir los siguientes símbolos. Los símbolos y sus definiciones son los siguientes:

Vvoltios

Aamperios

Hzhertz

Wvatios

minminutos

~corriente alterna

====corriente continua

n_o.....no velocidad sin carga

⚠Construcción Clase I (con conexión a tierra)

⚠Construcción de clase II ⊕terminal a tierra

⚠símbolo de alerta deminopm...revoluciones o reciprocidad por minuto seguridad

- Cuando utilice un cable prolongador, asegúrese de que tenga la capacidad para conducir la corriente que su producto exige. Un cable de menor capacidad provocará una

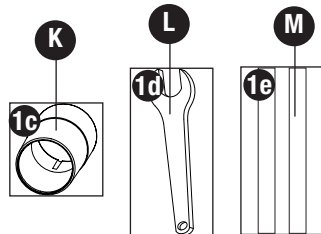
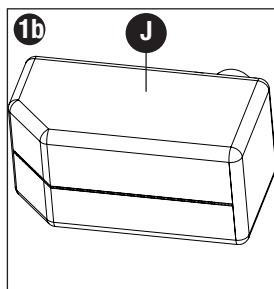
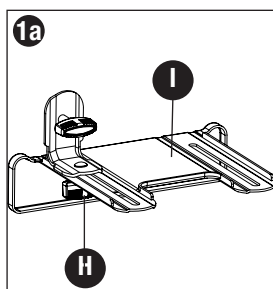
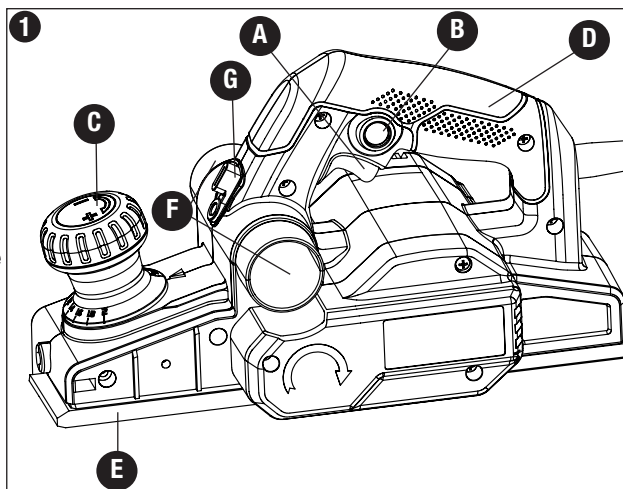
disminución en el voltaje de la línea que producirá pérdida de potencia y sobrecalentamiento. La tabla muestra la medida correcta que debe utilizar según la longitud del cable y la capacidad nominal en amperios indicada en la placa. En caso de duda, utilice el calibre inmediatamente superior. Cuanto menor sea el número de calibre, más grueso será el cable.

Tension	Calibre minimal des cordons de rallonge Longueur totale du cordon en pieds			
	120V	0-25 (0-7,6m)	26-50 (7,6-15,2m)	51-100 (15,2-30,4m)
240V	0-50 (0-15,2m)	51-100 (15,2-30,4m)	101-200 (30,4-60,9m)	201-300 (60,9-91,4m)
Intensité (A)	Calibre moyen des fils (AWG)			
Au moins	Au plus			
0 - 6	18	16	16	14
6 - 10	18	16	14	12
10 - 12	16	16	14	12
12 - 16	14	12	Non recommandé	

CONSERVE ESTAS INSTRUCCIONES

Componentes

- A. Interruptor disparador
- B. Botón de bloqueo en encendido
- C. Perilla de ajuste de profundidad/mango delantero
- D. Mango interruptor
- E. Zapata
- F. Conducto de descarga de astillas
- G. Palanca deflectora de astillas
- H. Perilla de ajuste de la guía para rebajar
- I. Guía para rebajar
- J. Bolsa para polvo
- K. Adaptador para aspiradora
- L. Llave
- M. Cuchillas
- N. Protector para la cuchilla (no se muestra)



OPERACIÓN

Interruptor (Figura 2)

⚠PRECAUCIÓN: Verifique que la herramienta no esté bloqueada antes de conectarla al suministro de energía. Si el interruptor disparador está bloqueado en encendido, la herramienta arrancará inmediatamente al conectarla al suministro de energía. Esto podría provocar daños a la herramienta o lesiones personales.

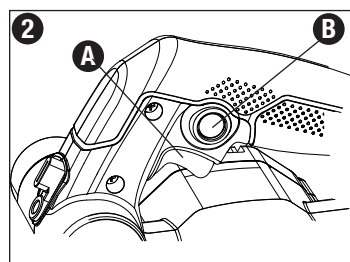
⚠PRECAUCIÓN: Permita que la herramienta alcance la velocidad máxima antes de aplicarla a la superficie de trabajo. Levante la herramienta de la superficie de trabajo antes de apagarla.

Para arrancar la cepilladora, oprima el interruptor disparador (A) de la **Figura 2**. Para apagar la cepilladora, suelte el interruptor disparador.

Botón de bloqueo en encendido (Figura 2)

La herramienta se puede bloquear en encendido para un uso continuo. Para bloquear la herramienta en encendido, oprima el interruptor disparador (A) y empuje hacia adentro el botón de bloqueo en ENCENDIDO (B). Mantenga oprimido el botón de bloqueo en encendido mientras suelta lentamente el interruptor disparador. La herramienta continuará en funcionamiento.

Para apagar la herramienta cuando está bloqueada en encendido, oprima y libere el disparador una vez.



Ajuste de la profundidad de cepillado (Figura 3)

⚠ADVERTENCIA: Apague y desenchufe la herramienta antes de realizar cualquier ajuste o retirar o instalar accesorios.

La profundidad de cepillado es infinitamente variable de 0 a 2 mm (0 a 5/64 pulgada). Para ajustar la profundidad de corte, gire la perilla de ajuste de profundidad/mango delantero (C) hacia la derecha desde la posición "P". La profundidad de corte se incrementará de 0 hasta un máximo de 2 mm (0 a 5/64 pulgada).

Se recomienda hacer los cortes de prueba en madera de descarte después de cada reajuste para asegurarse de que la cepilladora elimine la cantidad deseada de madera. Varias pasadas superficiales (en lugar de una sola profunda) producirán un acabado más suave.

Cepillado (Figuras 4, 5, 6)

⚠ADVERTENCIA: Espere hasta que la cuchilla se detenga antes de apoyar la herramienta sobre una superficie. Una cuchilla expuesta puede embragar con la superficie y llevar a una posible pérdida de control y lesiones graves.

⚠PRECAUCIÓN: Permita que la herramienta alcance la velocidad máxima antes de aplicarla a la superficie de trabajo. Levante la herramienta de la superficie de trabajo antes de apagarla.

Sostenga la cepilladora en la posición correcta con una mano sobre el mango delantero (C) y la otra sobre el mango interruptor (D) como se muestra en la **Figura 4**. Coloque la parte delantera de la zapata (E) sobre la superficie a cepillar, asegurándose de que las cuchillas de corte no estén en contacto con la superficie. Empuje firmemente hacia abajo sobre el mango delantero de la cepilladora de manera que la zapata delantera esté **ABSOLUTAMENTE AL RAS** sobre la superficie de trabajo. Oprima el interruptor disparador y permita que el motor alcance la velocidad máxima antes de que las cuchillas de la cepilladora toquen la superficie de trabajo.

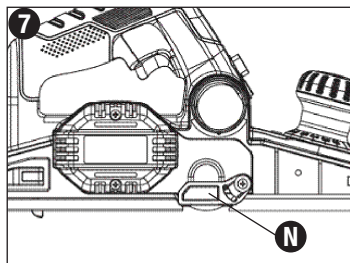
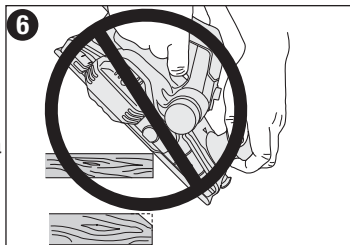
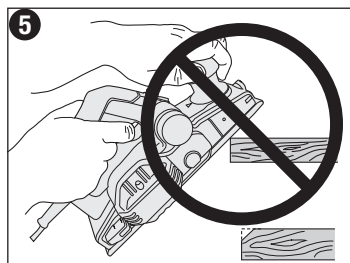
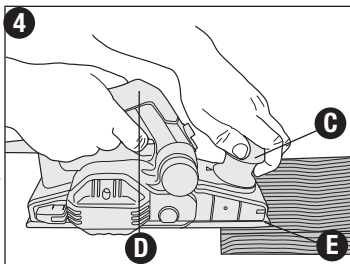
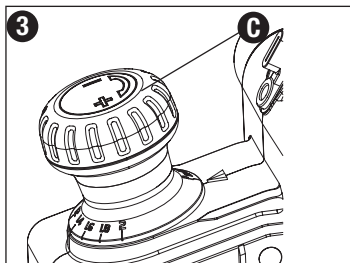
Mueva la herramienta lentamente sobre la superficie de trabajo y ejerza una presión hacia abajo para mantener la cepilladora al ras. Sea especialmente cuidadoso para mantener la herramienta al ras al comienzo y al final de la superficie de trabajo (**Figuras 4, 5, 6**).

Consejo de cepillado: Para lograr un aspecto más suave, fije un pedazo de madera de descarte en el extremo de la pieza que cepilla. No detenga el cepillado hasta que las cuchillas de corte de la cepilladora hayan sobrepasado la pieza de trabajo y estén sobre el material de descarte.

Protector de la cuchilla (Figura 7)

Asegúrese de que el protector de la cuchilla accionado por resorte (N) esté en buenas condiciones antes de utilizar la cepilladora.

⚠ADVERTENCIA: Riesgo de corte. No retire el protector.



Guía para rebajar (Figuras 8, 9)

⚠ADVERTENCIA: Apague y desenchufe la herramienta antes de realizar cualquier ajuste o retirar o instalar accesorios.

⚠PRECAUCIÓN: Permita que la herramienta alcance la velocidad máxima antes de aplicarla a la superficie de trabajo. Levante la herramienta de la superficie de trabajo antes de apagarla.

La guía para rebajar puede instalarse en ambos lados de la cepilladora. La cepilladora puede realizar cortes de rebaje de hasta 12,7 mm (0,5 pulgada).

PARA INSTALAR LA GUÍA PARA REBAJAR

- Enrosque la perilla (I) dentro del orificio del costado de la cepilladora como lo muestra la flecha de la **Figura 8**.
- Afloje la perilla de ajuste de la guía para rebajar (H) y ajuste la guía a la distancia deseada.
- Ajuste firmemente la perilla de ajuste de la guía para rebajar (H).
- Cuando se instala correctamente, la guía para rebajar debe estar por debajo de la cepilladora como se muestra en la **Figura 9**.

PARA REALIZAR UN CORTE DE REBAJE

- Gire la perilla de ajuste de la guía para rebajar (H) y ajuste el ancho de corte deseado.
- Realice varios cortes hasta alcanzar la profundidad de corte deseada.

NOTA: Para la mayoría de las aplicaciones de rebaje será necesario realizar unos cuantos cortes.

Bolsa de recolección (Figura 10)

⚠ADVERTENCIA: Apague y desenchufe la herramienta antes de realizar cualquier ajuste o retirar o instalar accesorios.

- Instale la bolsa alineando las ranuras del conducto de descarga y el marco de la bolsa. Conecte la bolsa (J) a cualquiera de los lados del conducto de descarga de astillas (F). Vacíe la bolsa con frecuencia para evitar obstrucciones.
- Para evitar que las astillas salgan por el lado opuesto del conducto de descarga de astillas, mueva la palanca deflectora de astillas (G) al lado opuesto de la bolsa.

Adaptador para aspiradora (Figura 11)

⚠ADVERTENCIA: Apague y desenchufe la herramienta antes de realizar cualquier ajuste o retirar o instalar accesorios.

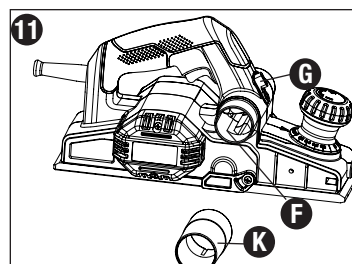
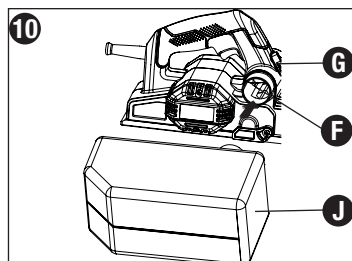
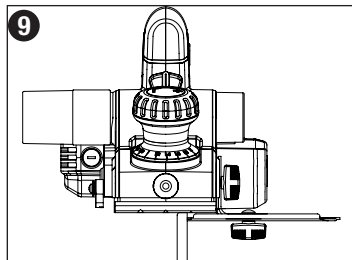
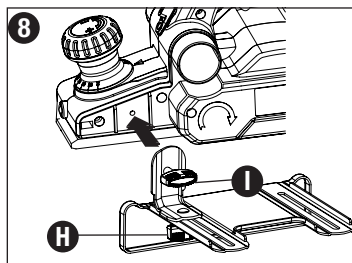
- Deslice el adaptador para aspiradora (K) sobre el conducto de descarga de astillas (F).
- Conecte una manguera de aspiradora (no incluida) al adaptador.
- Para evitar que las astillas salgan por el lado opuesto del conducto de descarga de astillas, mueva la palanca deflectora de astillas (G) al lado opuesto del adaptador.

Para cambiar cuchillas (Figura 12)

⚠ADVERTENCIA: Apague y desenchufe la herramienta antes de realizar cualquier ajuste o retirar o instalar accesorios.

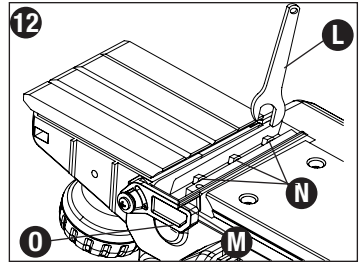
⚠ADVERTENCIA: Riesgo de corte. Las cuchillas de la cepilladora son filosas y deben manipularse con cuidado.

NOTA: La PC60THP posee dos cuchillas, una en cada lado del tambor de las cuchillas. Toda operación o ajuste debe efectuarse en ambas cuchillas. Las cuchillas de corte provistas con esta herramienta son reversibles. Se incluye un juego adicional de cuchillas.



Para retirar la cuchilla de la cepilladora

- Coloque la cepilladora al revés como se muestra en la **Figura 12**.
- Afloje las tres tuercas (N) utilizando la llave (L) provista.
- Gire el protector de la cuchilla (O) hacia abajo. Retire cuidadosamente la cuchilla (M) deslizándola fuera del soporte. Se puede utilizar un trozo de madera para hacer esto.
- Invierta la cuchilla de manera que el lado no utilizado quede en posición. Si ambos lados están desgastados, se debe reemplazar la cuchilla.



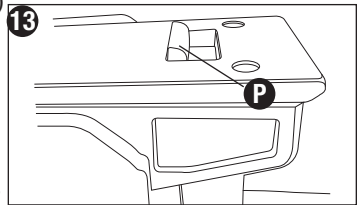
Para reinstalar la cuchilla

- Deslice la cuchilla hacia el lado dentro del soporte hasta que se apoye contra el tope del extremo. La ranura de la cuchilla debe apuntar hacia la parte de atrás de la unidad.
- Ajuste las tres tuercas firmemente utilizando la llave provista.
- Gire el tambor de las cuchillas 180 grados y repita el procedimiento para la otra cuchilla.
- Siempre reinstale ambas cuchillas.

Pata de apoyo (Figura 13)

La cepilladora está equipada con una pata de apoyo (P) que baja automáticamente a su posición cuando la herramienta se levanta de la superficie de trabajo. Al cepillar, la pata de apoyo se eleva a medida que la herramienta se empuja hacia adelante. Cuando la pata de apoyo está abajo, la cepilladora se puede apoyar sobre la superficie de trabajo sin que la cuchilla entre en contacto.

⚠PRECAUCIÓN: No bloquee el interruptor disparador en encendido y simultáneamente accione la pata de apoyo. La vibración del motor en funcionamiento provocará que la cepilladora se mueva y posiblemente caiga de la pieza de trabajo.



Biselado de bordes (Figura 14)

La cepilladora posee tres ranuras maquinadas a precisión para biselado de 1,5; 2,0 y 2,5 mm (Q). Éstas se encuentran en la zapata delantera y se utilizan para cepillar a lo largo de una esquina del material (**Figura 14**).

- Ajuste a la profundidad de corte deseada.
- Coloque la ranura (Q) sobre el borde del material.
- Aplice peso sobre la parte delantera de la zapata de manera que la ranura quede al ras sobre el borde del material.
- Sostenga la herramienta con ambas manos manteniendo la presión sobre el mango delantero.

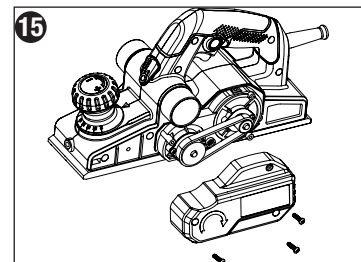
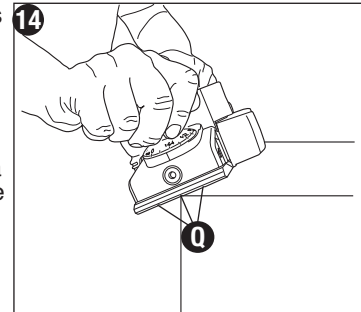
Nota: Una buena idea es probar con un trozo de madera de descarte antes de realizar el trabajo de acabado.

Correa de transmisión (Figura 15)

⚠ADVERTENCIA: Apague y desenchufe la herramienta antes de realizar cualquier ajuste o retirar o instalar accesorios.

Para reemplazar la correa

- Afloje los tres tornillos que se muestran en la **Figura 15** y retire la tapa de la correa.
- Retire la correa antigua.
- Coloque la correa nueva sobre la pulea delantera y luego gire la correa hacia la izquierda mientras empuja la misma sobre la pulea trasera.
- Coloque la tapa de la correa y ajuste firmemente los tornillos.



Mantenimiento

Limpieza

⚠ADVERTENCIA: Apague y desenchufe la unidad antes de limpiar el conducto de descarga de astillas. Limpie el conducto de descarga de astillas (F) habitualmente.

⚠PRECAUCIÓN: Nunca utilice solventes u otros productos químicos abrasivos para limpiar las piezas no metálicas de la herramienta.

Para limpiar la herramienta, únicamente utilice jabón suave y un paño húmedo. Nunca permita que penetre líquido dentro de la herramienta; nunca sumerja ninguna pieza de la herramienta en un líquido.

DETECCIÓN DE PROBLEMAS

Problema

• La unidad no enciende.

Causa posible

• Cable desenchufado.

• Fusible quemado.

• El interruptor automático está activado.

• Interruptor o cable dañado.

Solución posible

• Enchufe el cargador en un tomacorriente que funcione.

• Reemplace el fusible quemado. (Si repetidamente el producto hace que el fusible del circuito se queme, deje de utilizarlo inmediatamente y haga que le realicen mantenimiento en un centro de mantenimiento Black & Decker o en un centro de servicio autorizado.)

• Reinicie el interruptor automático. (Si repetidamente el producto hace que el fusible del circuito se queme, deje de utilizarlo inmediatamente y haga que le realicen mantenimiento en un centro de mantenimiento Black & Decker o en un centro de servicio autorizado.)

• Haga reparar el cable o el interruptor en un centro de mantenimiento Porter-Cable o en un centro de mantenimiento autorizado.

Para conocer la ubicación del centro de mantenimiento más cercano a fin de recibir ayuda con su producto, visite nuestro sitio Web www.portercable.com o llame a la línea de ayuda Porter-Cable al **(888)848-5175**.

PIEZAS DE REPUESTO

Utilice sólo piezas de repuesto idénticas. Para obtener una lista de piezas o para solicitar piezas, visite nuestro sitio Web en www.portercable.com. También puede solicitar piezas al Centro de mantenimiento de fábrica PORTER-CABLE o al Centro de mantenimiento con garantía autorizado de PORTER-CABLE más cercanos. O bien, puede llamar a nuestro Centro de atención al cliente al (888) 848-5175.

MANTENIMIENTO Y REPARACIONES

El mantenimiento de este producto no puede ser realizado por el usuario. Dentro del cargador no hay piezas a las que el usuario pueda hacerles mantenimiento. El mantenimiento de la herramienta debe realizarse en un centro de mantenimiento autorizado para evitar daños a los componentes internos, sensibles a la estática. Para obtener información acerca de PORTER-CABLE, sus centros de mantenimiento o centros de mantenimiento con garantía autorizados, visite nuestro sitio web en www.portercable.com o comuníquese con nuestro Centro de atención al cliente al (888) 848-5175. Todas las reparaciones realizadas en nuestros centros de mantenimiento están completamente garantizadas en relación con los materiales defectuosos y la mano de obra. No podemos otorgar garantías en relación con las reparaciones ni los intentos de reparación de otras personas.

También puede escribirnos solicitando información a PORTER-CABLE, 4825 Highway 45 North, Jackson, Tennessee 38305; referencia: Mantenimiento de productos. Asegúrese de incluir toda la información mencionada en la placa de la herramienta (número de modelo, tipo, número de serie, etc.).

ACCESORIOS

⚠ ADVERTENCIA: Debido a que no se han probado con este producto otros accesorios que no sean los que ofrece PORTER-CABLE, el uso de dichos accesorios con esta herramienta podría ser peligroso. Para reducir el riesgo de lesiones, con este producto deben usarse sólo los accesorios PORTER-CABLE recomendados.

Puede encontrar la línea completa de accesorios en los centros de mantenimiento de fábrica PORTER-CABLE o centros de mantenimiento con garantía autorizados de PORTER-CABLE. Visite nuestro sitio web www.portercable.com para obtener un catálogo o para conocer el nombre de su proveedor más cercano.

GARANTÍA LIMITADA DE TRES AÑOS

PORTER-CABLE reparará o reemplazará, sin cargo, cualquier defecto ocasionado por materiales defectuosos o mano de obra durante tres años a partir de la fecha de compra, en el caso de las herramientas (dos años para las baterías). Esta garantía no cubre fallas en las piezas que resulten del desgaste normal de la herramienta o de su utilización inadecuada. Para obtener información detallada sobre la cobertura de la garantía y sobre reparaciones, visite www.portercable.com o llame al

(888) 848-5175. Esta garantía no se extiende a los accesorios o a los daños causados por terceros al intentar realizar reparaciones. Esta garantía le concede derechos legales específicos; pueden existir otros derechos que varían según el estado o la provincia.

Además de la garantía, las herramientas PORTER-CABLE están cubiertas por nuestro:

SERVICIO GRATUITO DE 1 AÑO: PORTER-CABLE realizará el mantenimiento y reemplazará las piezas gastadas tras el uso normal, sin costo alguno, en cualquier momento durante el primer año después de la compra.

GARANTÍA DE DEVOLUCIÓN DE DINERO DE 90 DÍAS: Si por alguna razón no estuviera plenamente satisfecho con el rendimiento de su herramienta eléctrica PORTER-CABLE, puede devolver el producto dentro de los 90 días siguientes a la fecha de compra acompañado del recibo. De esta manera, se le reintegrará el importe total del producto sin formularle pregunta alguna.

AMÉRICA LATINA: Esta garantía no se aplica a los productos que se venden en América Latina. Para los productos que se venden en América Latina, debe consultar la información de la garantía específica del país que viene en el empaque, llamar a la compañía local o visitar el sitio Web a fin de obtener esa información.

Para registrar la herramienta con el objeto de obtener el mantenimiento cubierto por la garantía, visite nuestro sitio Web, www.portercable.com.

REEMPLAZO DE LAS ETIQUETAS DE ADVERTENCIA

Si sus etiquetas de advertencia se vuelven ilegibles o faltan, llame al (888) 848-5175 para que se las reemplacen gratuitamente.

Las siguientes son marcas comerciales PORTER-CABLE que distinguen a una o más herramientas y accesorios: un gráfico de color gris y negro; un diseño de "estrella de cuatro puntas" y tres franjas longitudinales contrastantes/delineadas. Las siguientes también son marcas comerciales para uno o más productos de PORTER-CABLE y Delta: 2 BY 4®, 890™, Air America®, AIRBOSS™, Auto-Set®, B.O.S.S.®, Bammer®, Biesemeyer®, Builders Saw®, Charge Air®, Charge Air Pro®, CONTRACTOR SUPERDUTY®, Contractor's Saw®, Delta®, DELTA®, Delta Industrial®, DELTA MACHINERY & DESIGN™, Delta Shopmaster and Design®, Delta X5®, Deltacraft®, DELTAGRAM®, Do It. Feel It.®, DUAL LASERLOC AND DESIGN®, EASY AIR®, EASY AIR TO GO™, ENDURADIAMOND®, Ex-Cell®, Front Bevel Lock®, Get Yours While the Sun Shines®, Grip to Fit®, GRIPVAC™, GTF®, HICKORY WOODWORKING®, Homecraft®, HP FRAMER HIGH PRESSURE®, IMPACT SERIES™, Innovation That Works®, Jet-Lock®, Job Boss®, Kickstand®, LASERLOC®, LONG-LASTING WORK LIFE®, MAX FORCE™, MAX LIFE®, Micro-Set®, Midi-Lathe®, Monsoon®, MONSTER-CARBIDE™, Network®, OLDHAM®, Omnijig®, PC EDGE®, Performance Crew™, Performance Gear®, Pocket Cutter®, Porta-Band®, Porta-Plane®, PORTER-CABLE®, PORTER-CABLE Professional Power Tools®, Powerback®, POZI-STOP™, Pressure Wave®, PRO 4000®, Proair®, Quicksand and Design®, Quickset II®, QUIET DRIVE TECHNOLOGY™, QUIET DRIVE TECHNOLOGY AND DESIGN™, Quik-Change®, QUIK-TILT®, RAPID-RELEASE™, RAZOR®, Redefining Performance®, Riptide®, Safe Guard II®, Sand Trap and Design®, Sanding Center®, Saw Boss®, Shop Boss®, Sidekick®, Site Boss®, Speed-Bloc®, Speedmatic®, Stair Ease®, Steel Driver Series®, SUPERDUTY®, T4 & DESIGN®, THE AMERICAN WOODSHOP®, THE PROFESSIONAL EDGE®, Thin-Line®, Tiger Saw®, TIGERCLAW®, TIGERCLAW AND DESIGN®, Torq-Buster®, TRU-MATCH®, T-Square®, Twinlaser®, Unifence®, Uniguard®, UNIRIP®, UNISAW®, UNITED STATES SAW®, Veri-Set®, Versa-Feeder®, VIPER®, VT™, VT RAZOR™, Water Driver®, WATER VROOM®, Waveform®, Whisper Series®, X5®, YOUR ACHIEVEMENT. OUR TOOLS.®

Las marcas comerciales con el símbolo ® están registradas en la Oficina de patentes y marcas comerciales de Estados Unidos (United States Patent and Trademark Office), y también pueden estar registradas en otros países. Posiblemente se apliquen otras marcas comerciales registradas.

PORTER  CABLE

4825 Highway 45 North
Jackson, Tennessee 38305

(888) 848-5175

www.portercable.com

