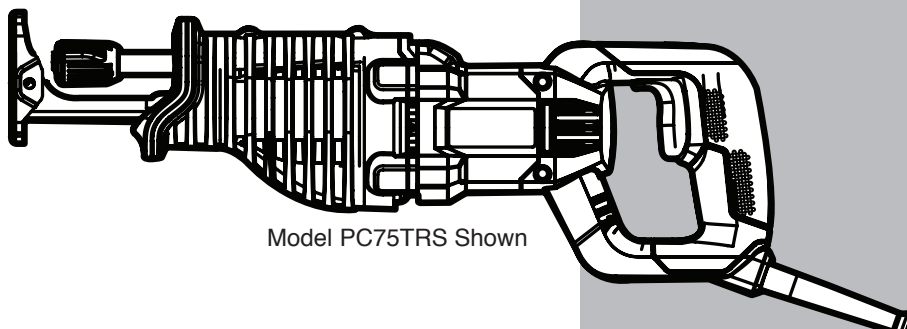


PORTER CABLE®

PC75TRS Reciprocating Saw
PC85TRSO Orbital Reciprocating Saw



Model PC75TRS Shown

Instruction manual

Manuel d'instructions

Manual de instrucciones

www.portercable.com

Thank you for choosing PORTER-CABLE! To register your new product, go to:
www.portercable.com/ServiceAndSupport/ProductRegistration.aspx

Merci d'avoir choisi PORTER-CABLE! Consulter le site Web www.portercable.com/ServiceAndSupport/ProductRegistration.aspx pour enregistrer votre nouveau produit.

Gracias por elegir PORTER-CABLE usted! Para registrar su nuevo producto, visite: [www.portercable.com / ServiceAndSupport / ProductRegistration.aspx](http://www.portercable.com/ServiceAndSupport/ProductRegistration.aspx)

INSTRUCTIVO DE OPERACIÓN, CENTROS DE SERVICIO Y PÓLIZA DE GARANTÍA.

⚠️ ADVERTENCIA: LEÁSE ESTE INSTRUCTIVO ANTES DE USAR EL PRODUCTO.

CATALOG NUMBERS

PC75TRS

PC85TRSO

SAFETY GUIDELINES - DEFINITIONS

It is important for you to read and understand this manual. The information it contains relates to protecting YOUR SAFETY and PREVENTING PROBLEMS. The symbols below are used to help you recognize this information.

⚠ DANGER: Indicates an imminently hazardous situation which, if not avoided, will result in death or serious injury.

⚠ WARNING: Indicates a potentially hazardous situation which, if not avoided, could result in death or serious injury.

⚠ CAUTION: Indicates a potentially hazardous situation which, if not avoided, may result in minor or moderate injury.

NOTICE: Used without the safety alert symbol indicates potentially hazardous situation which, if not avoided, may result in property damage.

General Power Tool Safety Warnings

⚠ WARNING: Read all safety warnings and all instructions. Failure to follow the warnings and instructions may result in electric shock, fire and/or serious injury.

SAVE ALL WARNINGS AND INSTRUCTIONS FOR FUTURE REFERENCE

The term "power tool" in the warnings refers to your mains-operated (corded) power tool or battery-operated (cordless) power tool.

1) WORK AREA SAFETY

- a) **Keep work area clean and well lit.** Cluttered or dark areas invite accidents.
- b) **Do not operate power tools in explosive atmospheres, such as in the presence of flammable liquids, gases or dust.** Power tools create sparks which may ignite the dust or fumes.
- c) **Keep children and bystanders away while operating a power tool.** Distractions can cause you to lose control.

2) ELECTRICAL SAFETY

- a) **Power tool plugs must match the outlet. Never modify the plug in any way. Do not use any adapter plugs with earthed (grounded) power tools.** Unmodified plugs and matching outlets will reduce risk of electric shock.
- b) **Avoid body contact with earthed or grounded surfaces such as pipes, radiators, ranges and refrigerators.** There is an increased risk of electric shock if your body is earthed or grounded.
- c) **Do not expose power tools to rain or wet conditions.** Water entering a power tool will increase the risk of electric shock.
- d) **Do not abuse the cord. Never use the cord for carrying, pulling or unplugging the power tool. Keep cord away from heat, oil, sharp edges or moving parts.** Damaged or entangled cords increase the risk of electric shock.
- e) **When operating a power tool outdoors, use an extension cord suitable for outdoor use.** Use of a cord suitable for outdoor use reduces the risk of electric shock.
- f) **If operating a power tool in a damp location is unavoidable, use a ground fault circuit interrupter (GFCI) protected supply.** Use of a GFCI reduces the risk of electric shock.

3) PERSONAL SAFETY

- a) **Stay alert, watch what you are doing and use common sense when operating a power tool. Do not use a power tool while you are tired or under the influence of drugs, alcohol or medication.** A moment of inattention while operating power tools may result in serious personal injury.
- b) **Use personal protective equipment. Always wear eye protection.** Protective equipment such as dust mask, nonskid safety shoes, hard hat, or hearing protection used for appropriate conditions will reduce personal injuries.
- c) **Prevent unintentional starting. Ensure the switch is in the off position before connecting to power source and/ or battery pack, picking up or carrying the tool.** Carrying power tools with your finger on the switch or energizing power tools that have the switch on invites accidents.
- d) **Remove any adjusting key or wrench before turning the power tool on.** A wrench or a key left attached to a rotating part of the power tool may result in personal injury.

- e) **Do not overreach. Keep proper footing and balance at all times.** *This enables better control of the power tool in unexpected situations.*
- f) **Dress properly. Do not wear loose clothing or jewelry. Keep your hair, clothing and gloves away from moving parts.** *Loose clothes, jewelry or long hair can be caught in moving parts.*
- g) **If devices are provided for the connection of dust extraction and collection facilities, ensure these are connected and properly used.** *Use of dust collection can reduce dust-related hazards.*

4) POWER TOOL USE AND CARE

- a) **Do not force the power tool. Use the correct power tool for your application.** *The correct power tool will do the job better and safer at the rate for which it was designed.*
- b) **Do not use the power tool if the switch does not turn it on and off.** *Any power tool that cannot be controlled with the switch is dangerous and must be repaired.*
- c) **Disconnect the plug from the power source and/or the battery pack from the power tool before making any adjustments, changing accessories, or storing power tools.** *Such preventive safety measures reduce the risk of starting the power tool accidentally.*
- d) **Store idle power tools out of the reach of children and do not allow persons unfamiliar with the power tool or these instructions to operate the power tool.** *Power tools are dangerous in the hands of untrained users.*
- e) **Maintain power tools. Check for misalignment or binding of moving parts, breakage of parts and any other condition that may affect the power tool's operation. If damaged, have the power tool repaired before use.** *Many accidents are caused by poorly maintained power tools.*
- f) **Keep cutting tools sharp and clean.** *Properly maintained cutting tools with sharp cutting edges are less likely to bind and are easier to control.*
- g) **Use the power tool, accessories and tool bits, etc. in accordance with these instructions, taking into account the working conditions and the work to be performed.** *Use of the power tool for operations different from those intended could result in a hazardous situation.*

5) SERVICE

- a) **Have your power tool serviced by a qualified repair person using only identical replacement parts.** *This will ensure that the safety of the power tool is maintained.*

Specific Safety Rules

- **Hold power tool by insulated gripping surfaces, when performing an operation where the cutting accessory may contact hidden wiring or its own cord.** *Cutting accessory contacting a "live" wire may make exposed metal parts of the power tool "live" and could give the operator an electric shock.*
- **Use clamps or another practical way to secure and support the work piece to a stable platform.** *Holding the work by hand or against your body leaves it unstable and may lead to loss of control.*
- **Hold saw firmly with both hands for all cutting operations.** *During cutting operations, the blade may suddenly bind in the work and may cause the saw to kickback towards the operator.*
- **Keep hands away from cutting area.** *Never reach underneath the material for any reason. Hold front of saw by grasping the contoured gripping area. Do not insert fingers or thumb into the vicinity of the reciprocating blade and blade clamp. Do not stabilize the saw by gripping the shoe.*
- **Keep blades sharp.** *Dull blades may cause the saw to swerve or stall under pressure.*
- **Use extra caution when cutting overhead and pay particular attention to overhead wires, gas or water lines, which may be hidden from view.** *Anticipate the path of falling branches and debris ahead of time.*
- **When cutting pipe or conduit ensure that they are free from water, electrical wiring, etc.**
- **Do not touch the workpiece or the blade immediately after operating the tool.** *They can become very hot.*

⚠ WARNING: ALWAYS use safety glasses. Everyday eyeglasses are NOT safety

glasses. Also use face or dust mask if cutting operation is dusty. **ALWAYS WEAR CERTIFIED SAFETY EQUIPMENT:**

- ANSI Z87.1 eye protection (CAN/CSA Z94.3),
- ANSI S12.6 (S3.19) hearing protection,
- NIOSH/OSHA/MSHA respiratory protection.

⚠ WARNING: Some dust created by power sanding, sawing, grinding, drilling, and other construction activities contains chemicals known to the State of California to cause cancer, birth defects or other reproductive harm. Some examples of these chemicals are:

- lead from lead-based paints,
- crystalline silica from bricks and cement and other masonry products, and
- arsenic and chromium from chemically-treated lumber.

Your risk from these exposures varies, depending on how often you do this type of work. To reduce your exposure to these chemicals: work in a well ventilated area, and work with approved safety equipment, such as those dust masks that are specially designed to filter out microscopic particles.

- **Avoid prolonged contact with dust from power sanding, sawing, grinding, drilling, and other construction activities. Wear protective clothing and wash exposed areas with soap and water.** Allowing dust to get into your mouth, eyes, or lay on the skin may promote absorption of harmful chemicals.

⚠ WARNING: Use of this tool can generate and/or disperse dust, which may cause serious and permanent respiratory or other injury. Always use NIOSH/OSHA approved respiratory protection appropriate for the dust exposure. Direct particles away from face and body.

⚠ WARNING: Always wear proper personal hearing protection that conforms to ANSI S12.6 (S3.19) during use. Under some conditions and duration of use, noise from this product may contribute to hearing loss.

⚠ WARNING: Do not operate this tool for long periods of time. Vibration caused by the operating action of this tool may cause permanent injury to fingers, hands, and arms. Use gloves to provide extra cushion, take frequent rest periods, and limit daily time of use.

SYMBOLS

- The label on your tool may include the following symbols. The symbols and their definitions are as follows:

V.....volts	A.....amperes
Hz.....hertz	W.....watts
minminutes	~or AC.....alternating current
==or DC...direct current	n _ono load speed
⚠.....Class I Construction (grounded)	⊕.....earthing terminal
⊠.....Class II Construction (double insulated)	⚠.....safety alert symbol
📖.....Read instruction manual before use	.../min or rpm...revolutions or reciprocation per minute
👁.....Use proper eye protection	☞.....Use proper respiratory protection
sfpm..... surface feet per minute	👂.....Use proper hearing protection
	SPM..... Strokes per minute

MOTOR

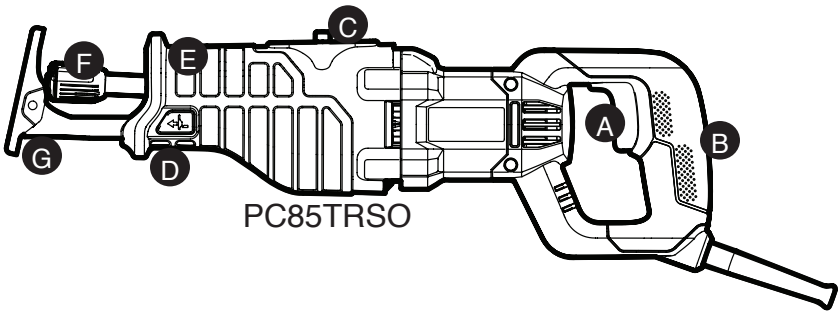
Be sure your power supply agrees with nameplate marking. 120 Volts AC only means your tool will operate on standard 60 Hz household power. Do not operate AC tools on DC. A rating of 120 volts AC/DC means that your tool will operate on standard 60 Hz AC or DC power. This information is printed on the nameplate. Lower voltage will cause loss of power and can result in over-heating. All Porter Cable tools are factory-tested; if this tool does not operate, check the power supply.

Extension Cord

When using an extension cord, be sure to use one heavy enough to carry the current your product will draw. An undersized cord will cause a drop in line voltage resulting in loss of power and overheating. The following table shows the correct size to use depending on cord length and nameplate ampere rating. If in doubt, use the next heavier gauge. The smaller the gauge number, the heavier the cord.

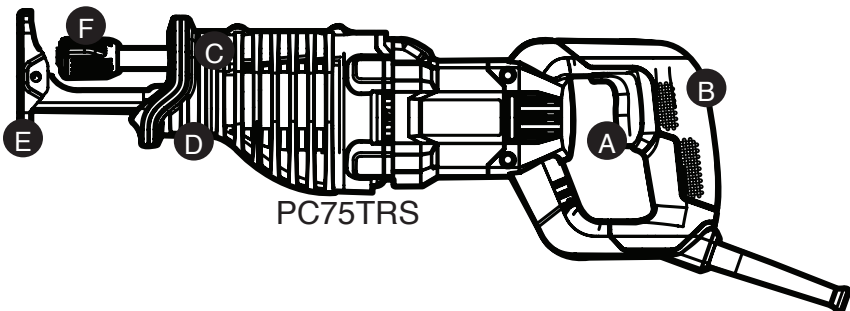
Volts	Minimum Gauge for Cord Sets				
	Total Length of Cord in Feet				
120V	0-25	26-50	51-100	101-150	
	(0-7,6m)	(7,6-15,2m)	(15,2-30,4m)	(30,4-45,7m)	
Ampere Rating		American Wire Gauge			
More Than	Not more Than				
0	- 6	18	16	16	14
6	- 10	18	16	14	12

SAVE THESE INSTRUCTIONS



Functional Description (PC85TRSO)

- A. Trigger Switch
- B. Main Handle
- C. Orbital Action Selector
- D. Adjustable Shoe Button
- E. Secondary Gripping Handle
- F. Blade Clamp
- G. Adjustable Shoe



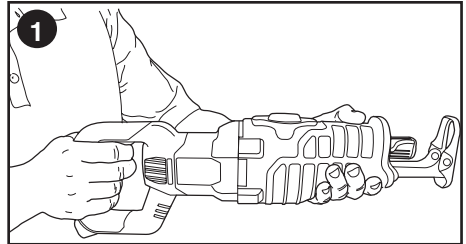
Functional Description (PC75TRS)

- A. Trigger Switch
- B. Main Handle
- C. Secondary Gripping Handle
- D. Adjustable Shoe Screws
- E. Adjustable Shoe
- F. Blade Clamp

OPERATION/SET-UP

- ⚠ **WARNING: CUT HAZARD.** Turn off and disconnect tool from power source before making any adjustments or removing or installing attachments or accessories.
- ⚠ **WARNING:** Hold saw firmly with both hands for all cutting operations.
- ⚠ **WARNING:** Inspect work area for hidden electrical wiring, gas pipes or water pipes before making blind or plunge cuts. Failure to do so may result in electrical shock, fire, explosion, or property damage.
- ⚠ **WARNING: CUT HAZARD.** Blade breakage may occur if the blade does not extend past the shoe and the workpiece during the cut. Increased risk of personal injury, as well as damage to the shoe and workpiece may result.
- ⚠ **WARNING: ALWAYS use safety glasses.** Everyday eyeglasses are NOT safety glasses. Also use face or dust mask if cutting operation is dusty. ALWAYS WEAR CERTIFIED SAFETY EQUIPMENT:
- ⚠ **WARNING: CUT HAZARD.** Before cutting any type of material, be sure it is firmly anchored or clamped to prevent slipping.
- Switch on saw motor before applying pressure.
 - Place blade lightly against work to be cut.

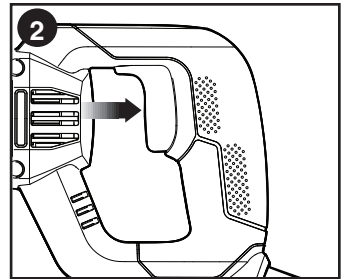
⚠ **WARNING: CUT HAZARD.** Never hold and use the product with your fingers wrapped around shoe adjustment button. Always hold saw firmly with both hands while cutting as shown in **Figure 1**. Whenever possible, the saw shoe must be held firmly against the material being cut. This will prevent the saw from jumping or vibrating and minimize blade breakage.



VARIABLE SPEED SWITCH (FIGURE 2)

The variable speed trigger switch will give you added versatility. The further the trigger is depressed the higher the speed of the saw. To turn the tool "OFF" release the trigger.

⚠ **WARNING: CUT HAZARD.** This tool has no provision to lock the switch in the ON position, and should never be locked in the ON position by any other means.



BLADE INSTALLATION AND REMOVAL (FIGURE 3)

⚠ **WARNING: CUT HAZARD.** Turn off and disconnect tool from power source before making any adjustments or removing or installing attachments or accessories.

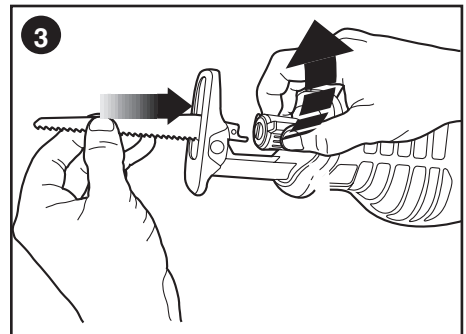
The blade should extend past the shoe and the thickness of the workpiece during the cut. Select the blade best suitable for the material to be cut and use the shortest blade suitable for the thickness of the material. Do not use jigsaw blades with this tool.

⚠ **WARNING: CUT HAZARD.** Blade breakage may occur if the blade does not extend past the shoe and the workpiece during the cut. Increased risk of personal injury, as well as damage to the shoe and workpiece may result.

TO INSTALL BLADE INTO SAW

1. Point tool away from body.
2. Rotate blade clamp collar in the direction shown in **figure 3**.
3. Insert blade shank fully into blade clamp collar.
4. Release blade clamp collar to lock blade into position.

NOTE: Blade can be installed with the teeth up to assist in flush-to cutting.

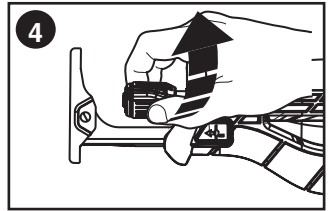


TO REMOVE BLADE FROM SAW

⚠ WARNING: CUT HAZARD. Turn off and disconnect tool from power source before making any adjustments or removing or installing attachments or accessories.

⚠ WARNING: Burn hazard. Do not touch the blade immediately after use. Contact with the blade may result in personal injury.

1. Rotate blade clamp collar to release position.
2. Remove blade.



TO REMOVE A BROKEN BLADE

If the blade breaks so that the broken piece is caught inside the clamp, take the following steps to remove the remainder of the blade from the saw.

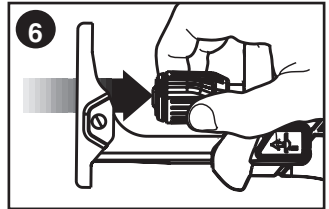
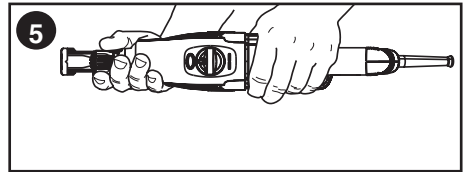
1. Rotate blade clamp collar clockwise as viewed from the back of the saw and hold in place (**Figure 4**).

2. Turn the saw on its left side as viewed from the back of the saw (**Figure 5**).

3a. **If the blade has broken inside the clamp**, slide a flat object into the opening of the clamp (**Figure 6**) as far as it can go, then remove the flat object. This will disengage the pin inside the clamp.

3b. **If the blade has broken outside the clamp**, slide a flat object into the opening of the clamp (**Figure 6**) to the left of the blade as far as it can go, then remove the flat object. This will disengage the pin inside the clamp.

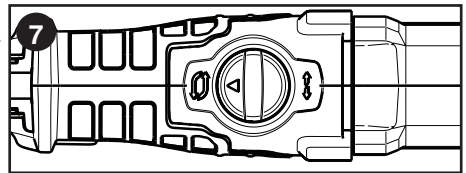
4. While still holding the clamp collar open and the saw on its side, face the clamp opening down and shake until the broken blade falls out.



ORBITAL ACTION SELECTOR - (FIGURE 7 PC85TRSO ONLY)

The PC85TRSO has dual blade motion: straight reciprocating motion or orbital motion.

Straight reciprocating motion is used for all metal cutting operations and for wood cutting applications where finish is more important than speed. To set the saw for straight reciprocating motion, turn the selector to the position marked



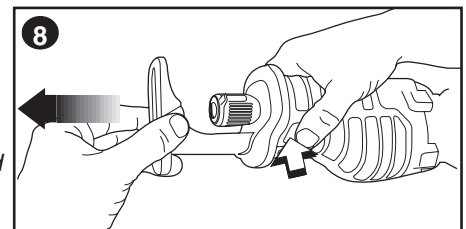
Orbital motion is used for fast cutting of wood. To set the saw for orbital action, turn the selector to the position marked



ADJUSTABLE SHOE - (FIGURE 8 PC85TRSO ONLY)

⚠ WARNING: CUT HAZARD. Blade breakage may occur if the blade does not extend past the shoe and the workpiece during the cut. Increased risk of personal injury, as well as damage to the shoe and workpiece may result.

⚠ WARNING: CUT HAZARD. Turn off and disconnect tool from power source before making any adjustments or removing or installing attachments or accessories.



The shoe will adjust to limit the depth of cut. Push the button (shown in **Figure 8**) on the hand grip and slide the shoe out to the desired depth and release the button.

⚠ CAUTION: CUT HAZARD. To prevent loss of control, never use tool without shoe.

⚠ CAUTION: RISK OF PERSONAL INJURY AND PROPERTY DAMAGE. Ensure the shoe is locked into position before using tool.

ADJUSTABLE SHOE - (FIGURE 9 PC75TRS ONLY)

⚠ WARNING: CUT HAZARD. Blade breakage may occur if the blade does not extend past the shoe and the workpiece during the cut. Increased risk of personal injury, as well as damage to the shoe and workpiece may result.

⚠ WARNING: CUT HAZARD. Turn off and disconnect tool from power source before making any adjustments or removing or installing attachments or accessories.

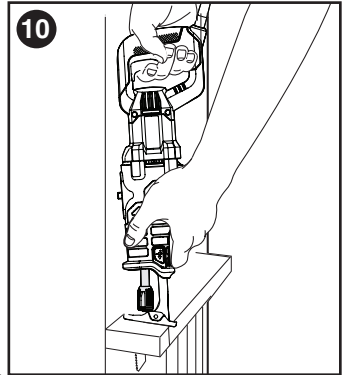
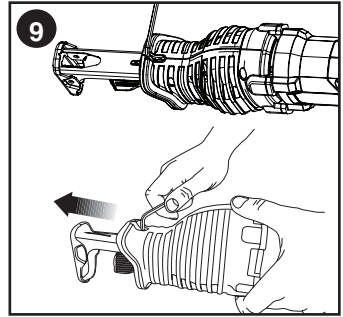
The shoe will adjust to limit the depth of cut. Using a M4 (5/32 in.) hex wrench (not supplied), loosen the screws (Figure 9) and slide the shoe out to the desired depth then retighten screws securely.

⚠ CAUTION: CUT HAZARD. To prevent loss of control, never use tool without shoe.

⚠ CAUTION: RISK OF PERSONAL INJURY AND PROPERTY DAMAGE. Ensure the shoe is locked into position before using tool.

FLUSH CUTTING (FIGURE 10)

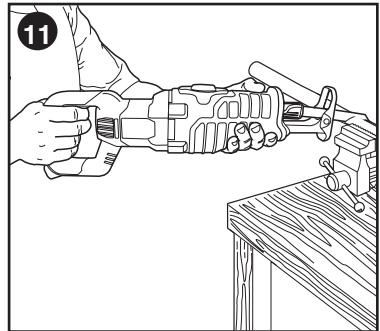
- The compact design of the reciprocating saw motor housing and pivoting shoe permit close cutting to floors, corners and other difficult areas.
- To maximize flush cutting capabilities, insert the blade shaft into the blade clamp with the teeth of the blade facing up.
- Turn the saw upside down so you are as close to the work surface as possible.



METAL CUTTING (FIGURE 11)

- Use a finer blade for ferrous metals and a coarse blade for non-ferrous materials.
- In thin gauge sheet metals it is best to clamp wood to the underside of the sheet. This will ensure a clean cut without excess vibration or tearing of metal.
- Avoid forcing cutting blade as this reduces blade life and causes costly blade breakage.

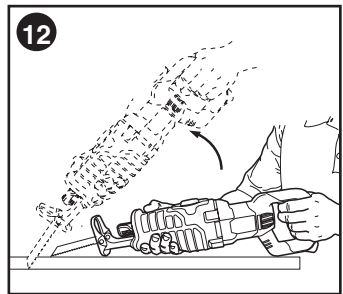
NOTE: Spread a thin film of oil or other coolant along the line ahead of the saw cut for easier operation and longer blade life.



POCKET CUTTING - WOOD ONLY (FIGURE 12)

- Measure the surface area to be cut and mark clearly with a pencil, chalk or scribe.
- Insert blade in blade clamp and tighten blade clamp securely.
- Tip the saw backward until the back edge of the shoe is resting on the work surface and the fully extended moving blade will clear the surface.
- Grip unit with both hands, switch motor on permitting blade to obtain maximum speed.
- Begin a slow, deliberate upward swing with the main handle of the saw.
- The blade will begin to feed into material. Always be sure blade is completely through material before continuing with pocket cut.

NOTE: In areas where blade visibility is limited, use the edge of the shoe as a guide.



PROJECT TIPS

- Cut only with sharp blades; they cut cleaner, faster and put less strain on the motor while cutting.
- When cutting, always ensure that the shoe is held firmly against the workpiece and the workpiece is secured from moving/deflecting. This will improve operator control and minimize vibration.
- For longer blade life, use bi-metal blades. These utilize a carbon steel back welded to high speed steel teeth making the blade more flexible and less prone to breaking.

MAINTENANCE

UNPLUG SAW AND REMOVE ACCESSORY WHEN PERFORMING ANY CLEANING OR OTHER MAINTENANCE. WHEN SERVICING USE ONLY IDENTICAL REPLACEMENT PARTS.

Use only mild soap and a damp cloth to clean the tool. Never let any liquid get inside the tool; never immerse any part of the tool into a liquid.

- Avoid using solvents when cleaning plastic parts. Most plastics are susceptible to various types of commercial solvents and may be damaged by their use. Use clean cloths to remove dirt, carbon dust etc.
- When electric tools are used on fiberglass boats, sports cars, drywall etc., they are subject to accelerated wear and possible premature failure, as the fiberglass chips and grindings and drywall dust are highly abrasive to bearings, brushes, commutator, etc. During any use on fiberglass or drywall it is extremely important that the tool be cleaned frequently by blowing with an air jet.

LUBRICATION

Porter Cable tools are properly lubricated at the factory and are ready for use. Tools should be lubricated regularly every year depending on usage. (Tools used on heavy duty jobs and tools exposed to heat may require more frequent lubrication.) This lubrication should be attempted only by trained power tool repair person such as those at Porter Cable service centers or in other qualified service personnel.

TROUBLESHOOTING

Problem

- Unit will not start.

Possible Cause

- Cord not plugged in.
- Circuit fuse is blown.

Possible Solution

- Plug tool into a working outlet.
- Replace circuit fuse. (If the product repeatedly causes the circuit fuse to blow, discontinue use immediately and have it serviced at a Porter Cable service center or authorized servicer.)
- Reset circuit breaker. (If the product repeatedly causes the circuit breaker to trip, discontinue use immediately and have it serviced at a Porter Cable service center or authorized servicer.)
- Have cord or switch replaced at a Porter Cable Service Center or Authorized Servicer
- Follow the steps under "To Remove a Broken Blade" to disengage pin.

- Circuit breaker is tripped.

- Cord or switch is damaged.

- Broken blade stuck inside clamp.

- Broken blade is held in place by pin inside clamp.

For assistance with your product, visit our website at www.portercable.com for a list of service centers, or call the Porter-Cable Customer Care Center at (888) 848-5175.

REPLACEMENT PARTS

Use only identical replacement parts. For a parts list or to order parts, visit our service website at www.portercable.com. You can also order parts from your nearest Porter-Cable Factory Service Center or Porter-Cable Authorized Warranty Service Center. Or, you can call our Customer Care Center at (888) 848-5175.

SERVICE AND REPAIRS

All quality tools will eventually require servicing and/or replacement of parts. For information about Porter-Cable, its factory service centers or authorized warranty service centers, visit our website at www.portercable.com or call our Customer Care Center at (888) 848-5175. All repairs made by our service centers are fully guaranteed against defective material and workmanship. We cannot guarantee repairs made or attempted by others.

You can also write to us for information at PORTER-CABLE, 4825 Highway 45 North, Jackson, Tennessee 38305 - Attention: Product Service. Be sure to include all of the information shown on the nameplate of your tool (model number, type, serial number, etc.).

ACCESSORIES

This saw will accept up to a 12 inch long blade. Always use the shortest blade suitable for your project but long enough to keep the blade cutting through the material. Longer blades are more likely to be bent or damaged during use. During operation some longer blades may vibrate or shake if the saw is not kept in contact with the workpiece.

⚠ WARNING: Since accessories, other than those offered by Porter-Cable, have not been tested with this product, use of such accessories with this tool could be hazardous. To reduce the risk of injury, only Porter-Cable recommended accessories should be used with this product.

A complete line of accessories is available from your Porter-Cable Factory Service Center or a Porter-Cable Authorized Warranty Service Center. Please visit our Web Site www.portercable.com for a catalog or for the name of your nearest supplier.

NOTE: This equipment has been tested and found to comply with the limits for a Class B digital device, pursuant to Part 15 of the FCC Rules. These limits are designed to provide reasonable protection against harmful interference in a residential installation. This equipment generates, uses and can radiate radio frequency energy and, if not installed and used in accordance with the instructions, may cause harmful interference to radio communications.

However, there is no guarantee that interference will not occur in a particular installation. If this equipment does cause harmful interference to radio or television reception, which can be determined by turning the equipment off and on, the user is encouraged to try to correct the interference by one or more of the following measures:

- Reorient or relocate the receiving antenna.
- Increase the separation between the equipment and receiver.
- Connect the equipment into an outlet on a circuit different from that to which the receiver is connected.
- Consult the dealer or an experienced radio/TV technician for help.

Changes or modifications to this unit not expressly approved by the party responsible for compliance could void the user's authority to operate the equipment. This Class B digital apparatus complies with Canadian ICES-003.

THREE YEAR LIMITED WARRANTY

PORTER-CABLE will repair or replace, without charge, any defects due to faulty materials or workmanship for three years from the date of purchase for tools (two years for batteries). This warranty does not cover part failure due to normal wear or tool abuse. For further detail of warranty coverage and warranty repair information, visit www.portercable.com or call (888) 848-5175. This warranty does not apply to accessories or damage caused where repairs have been made or attempted by others. This warranty gives you specific legal rights and you may have other rights which vary in certain states or provinces.

In addition to the warranty, PORTER-CABLE tools are covered by our:

1 YEAR FREE SERVICE: PORTER-CABLE will maintain the tool and replace worn parts caused by normal use, for free, any time during the first year after purchase.

90 DAY MONEY BACK GUARANTEE: If you are not completely satisfied with the performance of your PORTER-CABLE Power Tool for any reason, you can return it within 90 days from the date of purchase with a receipt for a full refund – no questions asked.

LATIN AMERICA: This warranty does not apply to products sold in Latin America. For products sold in Latin America, see country specific warranty information contained in the packaging, call the local company or see website for warranty information.

To register your tool for warranty service visit our website at www.portercable.com.

WARNING LABEL REPLACEMENT

If your warning labels become illegible or are missing, call (888) 848-5175 for a free replacement.

The following are PORTER-CABLE trademarks for one or more power tools and accessories: a gray and black color scheme; a “four point star” design; and three contrasting/outlined longitudinal stripes. The following are also trademarks for one or more Porter-Cable and Delta products: Les éléments ci-dessous sont des marques de commerce des outils et des accessoires de PORTER-CABLE : un agencement de couleurs grise et noire; un motif d’ « étoile à quatre pointes » et trois bandes longitudinales contrastantes/à contours. Les marques suivantes sont également des marques de commerce se rapportant à un ou plusieurs produits Porter-Cable ou Delta : Las siguientes son marcas comerciales PORTER-CABLE que distinguen a una o más herramientas y accesorios: un gráfico de color gris y negro; un diseño de “estrella de cuatro puntas” y tres franjas longitudinales contrastantes/delineadas. Las siguientes también son marcas comerciales para uno o más productos de Porter-Cable y Delta: 2 BY 4®, 890™, Air America®, AIRBOSS™, Auto-Set®, B.O.S.S.®, Bammer®, Biesemeyer®, Builders Saw®, Charge Air®, Charge Air Pro®, CONTRACTOR SUPERDUTY®, Contractor’s Saw®, Delta®, DELTA®, Delta Industrial®, DELTA MACHINERY & DESIGN™, Delta Shopmaster and Design®, Delta X5®, Deltacraft®, DELTAGRAM®, Do It. Feel It®, DUAL LASERLOC AND DESIGN®, EASY AIR®, EASY AIR TO GO™, ENDURADIAMOND®, Ex-Cell®, Front Bevel Lock®, Get Yours While the Sun Shines®, Grip to Fit®, GRIPVAC™, GTF®, HICKORY WOODWORKING®, Homecraft®, HP FRAMER HIGH PRESSURE®, IMPACT SERIES™, Innovation That Works®, Jet-Lock®, Job Boss®, Kickstand®, LASERLOC®, LONG-LASTING WORK LIFE®, MAX FORCE™, MAX LIFE®, Micro-Set®, Midi-Lathe®, Monsoon®, MONSTER-CARBIDE™, Network®, OLDHAM®, Omnijig®, PC EDGE®, Performance Crew™, Performance Gear®, Pocket Cutter®, Porta-Band®, Porta-Plane®, Porter Cable®, Porter-Cable Professional Power Tools®, Powerback®, POZI-STOP™, Pressure Wave®, PRO 4000®, Proair®, Quicksand and Design®, Quickset II®, QUIET DRIVE TECHNOLOGY™, QUIET DRIVE TECHNOLOGY AND DESIGN™, Quik-Change®, QUIK-TILT®, RAPID-RELEASE™, RAZOR®, Redefining Performance®, Riptide®, Safe Guard II®, Sand Trap and Design®, Sanding Center®, Saw Boss®, Shop Boss®, Sidekick®, Site Boss®, Speed-Bloc®, Speedmatic®, Stair Ease®, Steel Driver Series®, SUPERDUTY®, T4 & DESIGN®, THE AMERICAN WOODSHOP®, THE PROFESSIONAL EDGE®, Thin-Line®, Tiger Saw®, TIGERCLAW®, TIGERCLAW AND DESIGN®, Torq-Buster®, TRU-MATCH®, T-Square®, Twinlaser®, Unifence®, Uniguard®, UNIRIP®, UNISAW®, UNITED STATES SAW®, Veri-Set®, Versa-Feeder®, VIPER®, VT™, VT RAZOR™, Water Driver®, WATER VROOM®, Waveform®, Whisper Series®, X5®, YOUR ACHIEVEMENT. OUR TOOLS.®

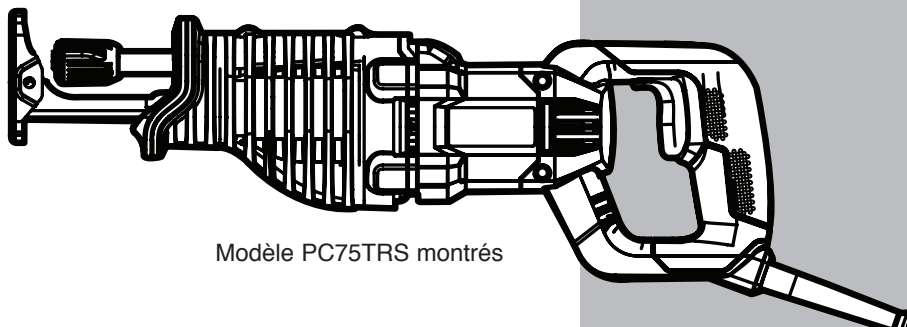
Trademarks noted with ® are registered in the United States Patent and Trademark Office and may also be registered in other countries. Other trademarks may apply. Les marques de commerce suivies du symbole ® sont enregistrées auprès du United States Patent and Trademark Office et peuvent être enregistrées dans d’autres pays. D’autres marques de commerce peuvent également être applicables. Las marcas comerciales con el símbolo ® están registradas en la Oficina de patentes y marcas comerciales de Estados Unidos (United States Patent and Trademark Office), y también pueden estar registradas en otros países. Posiblemente se apliquen otras marcas comerciales registradas.

PORTER  CABLE

4825 Highway 45 North
 Jackson, TN 38305
 (888) 848-5175
www.portercable.com

PORTER CABLE®

Scie alternative PC75TRS
Scie alternative à mouvement orbital
PC85TRSO



Modèle PC75TRS montrés

Manuel d'instructions

www.portercable.com

N° DE CATALOGUE
PC75TRS
PC85TRSO

LIGNES DIRECTRICES EN MATIÈRE DE SÉCURITÉ - DÉFINITIONS

Il est important que vous lisiez et compreniez ce mode d'emploi. Les informations qu'il contient concernent VOTRE SÉCURITÉ et visent à ÉVITER TOUT PROBLÈME. Les symboles ci-dessous servent à vous aider à reconnaître cette information.

⚠ DANGER : Indique une situation dangereuse imminente qui, si elle n'est pas évitée, causera la mort ou des graves blessures.

⚠ AVERTISSEMENT : Indique une situation potentiellement dangereuse qui, si elle n'est pas évitée, pourrait causer la mort ou de graves blessures.

⚠ MISE EN GARDE : Indique une situation potentiellement dangereuse qui, si elle n'est pas évitée, pourrait causer des blessures mineures ou modérées.

AVIS : Utilisé sans le symbole d'alerte à la sécurité, indique une situation potentiellement dangereuse qui, si elle n'est pas évitée, peut résulter en des dommages à la propriété.

Avertissements de sécurité généraux

⚠ AVERTISSEMENT : Lire toutes les directives. Le non-respect des avertissements et des directives pourrait se solder par un choc électrique, un incendie et/ou une blessure grave. Le terme «outil électrique» cité dans les avertissements se rapporte à votre outil électrique à alimentation sur secteur (avec fil) ou par piles (sans fil).

CONSERVER CES DIRECTIVES

1) Sécurité du lieu de travail

- Tenir la zone de travail propre et bien éclairée.** *Les endroits sombres sont souvent des causes d'accidents.*
- Ne pas faire fonctionner d'outils électriques dans un milieu déflagrant, soit en présence de liquides inflammables, de gaz ou de poussière.** *Les outils électriques produisent des étincelles qui peuvent enflammer la poussière ou les vapeurs.*
- Éloigner les enfants et les curieux au moment d'utiliser un outil électrique.** *Une distraction pourrait vous en faire perdre la maîtrise.*

2) Sécurité en matière d'électricité

- Les fiches des outils électriques doivent correspondre à la prise. Ne jamais modifier la fiche en aucune façon.** *Ne jamais utiliser de fiche d'adaptation avec un outil électrique mis à la terre. Le risque de choc électrique sera réduit par l'utilisation de fiches non modifiées correspondant à la prise.*
- Éviter tout contact physique avec des surfaces mises à la terre comme des tuyaux, des radiateurs, des cuisinières et des réfrigérateurs.** *Le risque de choc électrique est plus élevé si votre corps est mis à la terre.*
- Ne pas exposer les outils électriques à la pluie ou à d'autres conditions où il pourrait être mouillé.** *La pénétration de l'eau dans un outil électrique augmente le risque de choc électrique.*
- Ne pas utiliser abusivement le cordon d'alimentation. Ne jamais utiliser le cordon pour transporter, tirer ou débrancher un outil électrique. Tenir le cordon éloigné de la chaleur, de l'huile, des bords tranchants ou des pièces mobiles.** *Les cordons endommagés ou emmêlés augmentent les risques de choc électrique.*
- Pour l'utilisation d'un outil électrique à l'extérieur, se servir d'une rallonge convenant à une telle utilisation.** *L'utilisation d'une rallonge conçue pour l'extérieur réduit les risques de choc électrique.*

3) Sécurité personnelle

- Être vigilant, surveiller le travail effectué et faire preuve de jugement lorsqu'un outil électrique est utilisé. Ne pas utiliser d'outil électrique en cas de fatigue ou sous l'influence de drogues, d'alcool ou de médicaments.** *Un simple moment d'inattention en utilisant un outil électrique peut entraîner des blessures corporelles graves.*
- Utiliser des équipements de protection individuelle. Toujours porter une**

protection oculaire. *L'utilisation d'équipements de protection comme un masque antipoussière, des chaussures antidérapantes, un casque de sécurité ou des protecteurs auditifs lorsque la situation le requiert réduira les risques de blessures corporelles.*

- c) **Empêcher les démarrages intempestifs. S'assurer que l'interrupteur se trouve à la position d'arrêt avant de relier l'outil à une source d'alimentation et/ou d'insérer un bloc-piles, de ramasser ou de transporter l'outil.** *Transporter un outil électrique alors que le doigt repose sur l'interrupteur ou brancher un outil électrique dont l'interrupteur est à la position de marche risque de provoquer un accident.*
- d) **Retirer toute clé de réglage ou clé standard avant de démarrer l'outil.** *Une clé standard ou une clé de réglage attachée à une partie pivotante peut causer des blessures.*
- e) **Ne pas trop tendre les bras. Conserver son équilibre en tout temps.** *Cela permet de mieux maîtriser l'outil électrique dans les situations imprévues.*
- f) **S'habiller de manière appropriée. Ne pas porter de vêtements amples ni de bijoux. Garder les cheveux, les vêtements et les gants à l'écart des pièces mobiles.** *Les vêtements amples, les bijoux ou les cheveux longs risquent de rester coincés dans les pièces mobiles.*
- g) **Si des composants sont fournis pour le raccordement de dispositifs de dépeussierage et de ramassage, s'assurer que ceux-ci sont bien raccordés et utilisés.** *L'utilisation d'un dispositif de dépeussierage peut réduire les dangers engendrés par les poussières.*

4) Utilisation et entretien d'un outil électrique

- a) **Ne pas forcer un outil électrique. Utiliser l'outil électrique approprié à l'application.** *L'outil électrique approprié effectuera un meilleur travail, de façon plus sûre et à la vitesse pour laquelle il a été conçu.*
- b) **Ne pas utiliser un outil électrique dont l'interrupteur est défectueux.** *Tout outil électrique dont l'interrupteur est défectueux est dangereux et doit être réparé.*
- c) **Débrancher la fiche du secteur ou le bloc-piles de l'outil électrique avant de faire tout réglage ou changement d'accessoire, ou avant de ranger l'outil électrique.** *Ces mesures préventives réduisent les risques de démarrage accidentel de l'outil électrique.*
- d) **Ranger les outils électriques hors de la portée des enfants, et ne permettre à aucune personne n'étant pas familière avec un outil électrique (ou son manuel d'instruction) d'utiliser ce dernier.** *Les outils électriques deviennent dangereux entre les mains d'utilisateurs inexpérimentés.*
- e) **Entretien des outils électriques. Vérifier les pièces mobiles pour s'assurer qu'elles sont bien alignées et tournent librement, qu'elles sont en bon état et ne sont affectées par aucun trouble susceptible de nuire au bon fonctionnement de l'outil électrique. En cas de dommage, faire réparer l'outil électrique avant toute nouvelle utilisation.** *Beaucoup d'accidents sont causés par des outils électriques mal entretenus.*
- f) **S'assurer que les outils de coupe sont aiguisés et propres.** *Les outils de coupe bien entretenus et affûtés sont moins susceptibles de se coincer et sont plus faciles à contrôler.*
- g) **Utiliser l'outil électrique, les accessoires, les forets, etc. conformément aux présentes directives en tenant compte des conditions de travail et du travail à effectuer.** *L'utilisation d'un outil électrique pour toute opération autre que celle pour laquelle il a été conçu est dangereuse.*

5) Réparation

- a) **Faire réparer l'outil électrique par un réparateur professionnel en n'utilisant que des pièces de rechange identiques.** *Cela permettra de maintenir une utilisation sécuritaire de l'outil électrique.*

Consignes de sécurité particulières

- **Tenez l'outil par les surfaces isolées lorsque vous effectuez une opération où l'accessoire de coupe peut communiquer avec des fils cachés ou son propre cordon.** *Le contact avec un fil sous tension peut mettre les parties métalliques de l'outil sous tension, et pourrait donner à l'opérateur un choc électrique.*
- **Utiliser des brides de fixation ou un autre dispositif de fixation permettant de fixer solidement et de soutenir la pièce sur une plateforme stable.** *Tenir la pièce avec la*

main ou contre son corps la rend instable et risque de provoquer une perte de maîtrise de l'outil.

- **Tenir fermement la scie des deux mains pour toutes les opérations de coupe.** Il peut arriver, durant les opérations de coupe, que la lame se coince dans la pièce, causant ainsi un effet de rebond vers l'opérateur.
- **Tenir les mains éloignées de la zone de découpe.** Ne jamais mettre la main sous le matériau pour quelque raison que ce soit. Tenir la partie avant de la scie par sa zone de prise profilée. Ne pas mettre les doigts ou le pouce à proximité de la scie alternative et du mécanisme de serrage de la lame. Ne pas stabiliser la scie en saisissant la semelle.
- **Maintenir les lames affûtées.** Les lames émoussées peuvent faire zigzaguer la lame ou la bloquer sous la pression.
- **Être très prudent pour effectuer une coupe au-dessus de votre tête** et porter une attention accrue aux fils en hauteur et aux canalisations de gaz ou d'eau pouvant être cachés. Prévoir la direction de la chute des branches et de débris.
- **Au moment de couper un tuyau ou un conduit,** s'assurer qu'ils sont exempts d'eau, de câblage électrique, etc.
- **Ne pas toucher la pièce ni la lame immédiatement après avoir utilisé l'outil.** En effet, elles peuvent devenir très chaudes.

⚠ AVERTISSEMENT : TOUJOURS porter des lunettes de sécurité. Les lunettes de vue ne constituent PAS des lunettes de sécurité. Utiliser également un masque facial ou anti-poussière si l'opération de découpe génère de la poussière. **TOUJOURS PORTER UN ÉQUIPEMENT DE PROTECTION HOMOLOGUÉ :**

- protection oculaire conforme à la norme ANSI Z87.1 (CAN/CSA Z94.3);
- protection auditive ANSI S12.6 (S3.19);
- protection des voies respiratoires conformes aux normes NIOSH/OSHA/MSHA.

⚠ AVERTISSEMENT : Certains outils électriques, tels que les sableuses, les scies, les meules, les perceuses ou certains autres outils de construction, peuvent produire de la poussière contenant des produits chimiques reconnus par l'État de la Californie comme étant susceptibles d'entraîner le cancer, des malformations congénitales ou pouvant être nocifs pour le système reproductif. Parmi ces produits chimiques, on retrouve :

- le plomb dans les peintures à base de plomb,
- la silice cristalline dans les briques et le ciment et autres produits de maçonnerie,
- l'arsenic et le chrome dans le bois de sciage ayant subi un traitement chimique.

Le risque associé à de telles expositions varie selon la fréquence avec laquelle on effectue ces travaux. Pour réduire l'exposition à de tels produits, il faut travailler dans un endroit bien aéré et utiliser le matériel de sécurité approprié, tel un masque anti-poussières spécialement conçu pour filtrer les particules microscopiques.

- **Éviter tout contact prolongé avec la poussière soulevée par cet outil ou autres outils électriques. Porter des vêtements de protection et nettoyer les parties exposées du corps à l'eau savonneuse. S'assurer de bien se protéger afin d'éviter d'absorber par la bouche, les yeux ou la peau des produits chimiques nocifs.**

⚠ AVERTISSEMENT : Cet outil peut produire et répandre de la poussière susceptible de causer des dommages sérieux et permanents au système respiratoire. Toujours utiliser un appareil respiratoire anti-poussières approprié approuvé par le NIOSH ou l'OSHA. Diriger les particules dans le sens opposé du visage et du corps.

⚠ AVERTISSEMENT : Toujours porter une protection auditive appropriée conformément à la norme ANSI S12.6 (S3.19) lors de l'utilisation du produit. Dans certaines conditions et selon la durée d'utilisation, le bruit émis par ce produit pourrait contribuer à une perte auditive.

⚠ AVERTISSEMENT : Ne pas utiliser cet outil pendant des périodes prolongées. Les vibrations causées par l'action de fonctionnement de l'outil peuvent blesser en permanence les doigts, les mains et les bras. Porter des gants pour amortir les vibrations, faire des pauses fréquentes et limiter le temps d'utilisation quotidien de l'outil.

SYMBOLES

- L'étiquette apposée sur votre outil pourrait comprendre les symboles suivants. Les symboles et leurs définitions sont indiqués ci-après :

V.....volts	A.....ampères
Hz.....hertz	W.....watts
min.....minutes	~ ou AC..courant alternatif
— ou DC..courant continu	n ₀sous vide
Ⓛ.....Construction de classe I (mis à la terre)	Ⓜ.....borne de mise à la minute
Ⓛ.....Construction de classe II	⚠.....symbole d'avertissement
.../min tours à la minute	
📖.....Lire le mode d'emploi avant l'utilisation	
👃.....Utiliser une protection respiratoire adéquate.	
👁.....Utiliser une protection oculaire adéquate.	
👂.....Utiliser une protection auditive adéquate.	
spm.....alternance par minute	sfpm.....pieds linéaires par minute

MOTEUR

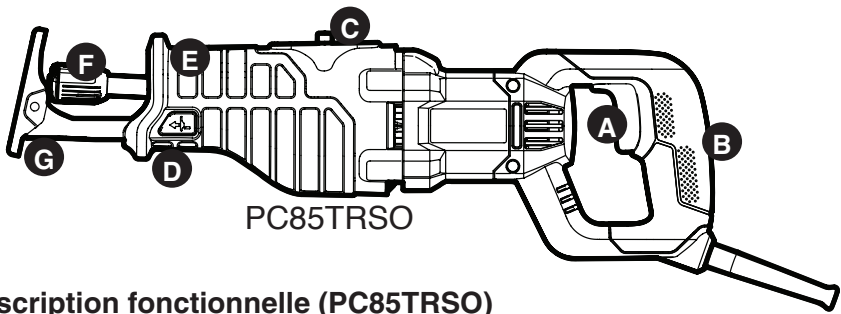
S'assurer que le bloc d'alimentation est compatible avec l'inscription de la plaque signalétique. 120 volts c.a. signifie seulement que l'outil fonctionnera sur une alimentation domestique standard de 60 Hz. Ne pas faire fonctionner des outils à courant alternatif (c.a.) sur un courant continu (c.c.). Un régime nominal de 120 volts c.a./c.c. signifie que l'outil fonctionnera avec une alimentation standard 60 Hz c.a. ou c.c. Ce renseignement figure sur la plaque signalétique. Une plus faible tension entraînera une baisse de régime, ce qui peut entraîner une surchauffe. Tous les outils Porter Cable sont testés en usine; si cet outil ne fonctionne pas, vérifier le bloc d'alimentation.

RALLONGES

L'utilisation d'une rallonge conçue pour l'extérieur réduit les risques de choc électrique. Lorsque qu'une rallonge électrique est utilisée, s'assurer d'en utiliser une de calibre suffisamment élevé pour assurer le transport du courant nécessaire au fonctionnement de votre appareil. Un cordon de calibre inférieur causera une chute de tension de ligne et donc une perte de puissance et une surchauffe. Le tableau suivant indique le calibre approprié à utiliser selon la longueur du cordon et l'intensité nominale de la plaque signalétique. En cas de doute, utiliser le calibre suivant le plus gros. Plus le numéro de calibre est petit, plus le cordon est lourd.

Calibre minimal des cordons de rallonge					
Tension		Longueur totale du cordon en pieds			
120V	0-25	26-50	51-100	101-150	
	(0-7,6m)	(7,6-15,2m)	(15,2-30,4m)	(30,4-45,7m)	
240V	0-50	51-100	101-200	201-300	
	(0-15,2m)	(15,2-30,4m)	(30,4-60,9m)	(60,9-91,4m)	
Intensité (A)		Calibre moyen des fils (AWG)			
Au moins	Au plus				
0	6	18	16	16	14
6	10	18	16	14	12
10	12	16	16	14	12
12	16	14	12	Non recommandé	

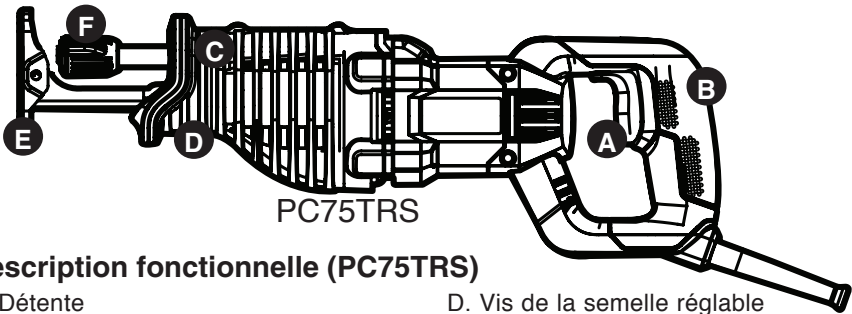
CONSERVER CES DIRECTIVES



PC85TRSO

Description fonctionnelle (PC85TRSO)

- | | |
|-----------------------------------|---------------------------------|
| A. Détente | E. Poignée secondaire |
| B. Poignée principale | F. Mécanisme de serrage de lame |
| C. Sélecteur de mouvement orbital | G. Semelle réglable |
| D. Bouton de la semelle réglable | |



PC75TRS

Description fonctionnelle (PC75TRS)

- | | |
|--------------------------------------|---------------------------------|
| A. Détente | D. Vis de la semelle réglable |
| B. Poignée principale | E. Semelle réglable |
| C. Poignée anti-glissante secondaire | F. Mécanisme de serrage de lame |

FONCTIONNEMENT/RÉGLAGE

⚠ AVERTISSEMENT : RISQUE DE COUPURE. Arrêter et débrancher l'outil avant d'effectuer un réglage ou de retirer ou d'installer une pièce ou un accessoire.

⚠ AVERTISSEMENT : tenir fermement la scie des deux mains pour toutes les opérations de coupe.

⚠ AVERTISSEMENT : inspecter la zone de travail à la recherche de câblage électrique et de canalisations de gaz ou d'eau cachés avant d'effectuer des coupes sans visibilité ou en plongée. Négliger de suivre ces directives risque de provoquer un choc électrique, un incendie, une explosion ou des dommages matériels.

⚠ AVERTISSEMENT : RISQUE DE COUPURE. *Un bris de lame est possible si la lame ne dépasse pas la semelle et la pièce en cours de coupe. Un bris de lame représente un risque accru de blessures personnelles ainsi que de dommages à la semelle et à la pièce.*

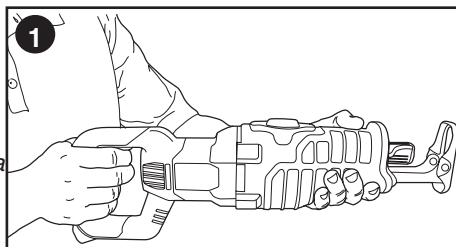
⚠ AVERTISSEMENT : TOUJOURS porter des lunettes de sécurité. *Les lunettes de vue ne constituent PAS des lunettes de sécurité. Utiliser également un masque facial ou anti-poussière si l'opération de découpe génère de la poussière. TOUJOURS PORTER UN ÉQUIPEMENT DE PROTECTION HOMOLOGUÉ :*

⚠ AVERTISSEMENT : RISQUE DE COUPURE. *Avant de couper tout matériau, s'assurer que ce dernier est bien ancré ou serré dans un étau pour éviter tout glissement.*

- Placer la lame légèrement contre la pièce à couper.
- Mettre en marche le moteur de la scie avant d'appliquer toute pression.

⚠ AVERTISSEMENT : RISQUE DE COUPURE. Ne jamais tenir et utiliser le produit avec les doigts enroulés autour du bouton qui affiche les réglages.

Toujours tenir fermement la scie avec les deux mains en cours de coupe comme indiqué à la **figure 1**. Autant que possible, la semelle de la scie doit être solidement appuyée contre le matériau à couper. Cela évite tout écart ou vibration de la scie et réduira le bris de lame.

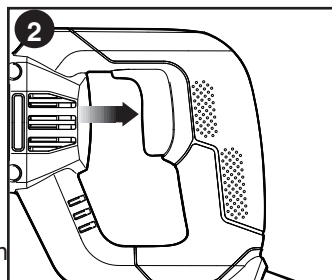


GÂCHETTE DE VITESSE VARIABLE PC750RS SEULEMENT (FIGURE 2)

La gâchette de vitesse variable offre une polyvalence supplémentaire. Au fur et à mesure que la gâchette est enfoncée, la vitesse de la scie augmente. Pour mettre l'outil hors tension, relâcher la gâchette.

⚠ AVERTISSEMENT : risque de coupure.

L'outil ne comporte pas de dispositif de verrouillage de la gâchette en position sous tension, et il ne doit jamais être verrouillé en position de marche par quelque moyen que ce soit.



INSTALLATION ET DÉPOSE DE LA LAME (FIGURE 3)

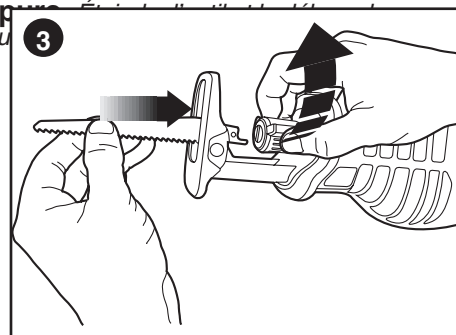
⚠ AVERTISSEMENT : risque de coupure.

avant d'effectuer tout réglage ou d'enlever ou d'installer tout accessoire.

La lame doit dépasser la semelle et l'épaisseur de la pièce au cours de la coupe. Sélectionner la meilleure lame pour le matériau à couper et utiliser la lame la plus courte possible adéquate pour l'épaisseur du matériau. Ne pas utiliser de lames pour scie sauteuse avec cet outil.

⚠ AVERTISSEMENT : risque de coupure.

Un bris de lame est possible si la lame ne dépasse pas la semelle et la pièce en cours de coupe. Un bris de lame représente un risque accru de blessures personnelles ainsi que des dommages à la semelle et à la pièce.



POUR INSÉRER LA LAME DANS LA SCIE

1. Pointer l'outil loin du corps.
2. Tourner le collet de fixation de la lame dans le sens illustré à la **figure 3**.
3. Insérer entièrement la queue de lame dans le collet de fixation de la lame.
4. Relâcher le collet de fixation de la lame pour bloquer la lame en position.

REMARQUE : la lame peut être installée, les dents vers le haut, pour aider à couper à ras.

POUR DÉPOSER LA LAME DE LA SCIE

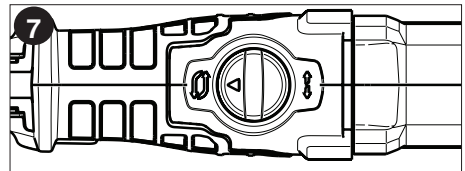
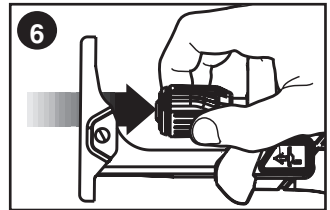
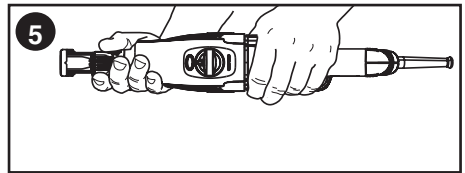
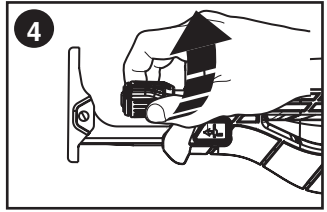
⚠ AVERTISSEMENT : risque de brûlure. Ne pas toucher la lame immédiatement après usage. Un contact avec la lame risque de provoquer une blessure corporelle.

1. Tourner le collet de fixation de la lame pour la dégager.
2. Déposer la lame.

POUR RETIRER UNE LAME BRISÉE

Si la lame se brise d'une telle façon que la pièce brisée est prise à l'intérieur du collet de fixation, suivre la démarche suivante pour extraire le bout de lame de la scie.


1. Tourner le collet de fixation de la lame dans le sens horaire, vu de l'arrière de la scie, et tenir en place (**figure 4**).
2. Tourner la scie sur son flanc gauche, vu de l'arrière de la scie (**figure 5**).
- 3a. Si la lame s'est brisée à l'intérieur du collet de fixation, glisser un objet plat dans l'ouverture du collet (**figure 6**) aussi loin que possible, puis retirer l'objet plat. Cette action désengagera la goupille à l'intérieur du collet de fixation.
- 3b. Si la lame s'est brisée à l'extérieur du collet de fixation, glisser un objet plat dans l'ouverture du collet (**figure 6**) vers la gauche de la lame, aussi loin que possible, puis retirer l'objet plat. Cette action désengagera la goupille à l'intérieur du collet de fixation.
4. En gardant toujours le collet de fixation ouvert et la scie sur son flanc, orienter l'ouverture du collet vers le bas et secouer jusqu'à ce que la lame brisée s'échappe.



SÉLECTEUR DE MOUVEMENT ORBITAL (FIGURE 7 PC85TRSO SEULEMENT)

Le modèle PC85TRSO comporte une lame à deux mouvements : mouvement alternatif vertical ou mouvement orbital.

Le mouvement alternatif vertical s'utilise pour toutes les coupes sur métal et pour des applications sur bois où la finition est plus importante que la vitesse de coupe. Pour régler la scie à la position de mouvement alternatif vertical, tourner le sélecteur à la position marquée 

Le mouvement orbital s'utilise pour une coupe rapide du bois. Pour régler la scie sur le mouvement orbital, tourner le sélecteur à la position marquée 

SEMELLE RÉGLABLE – (FIGURE 8 PC85TRSO SEULEMENT)

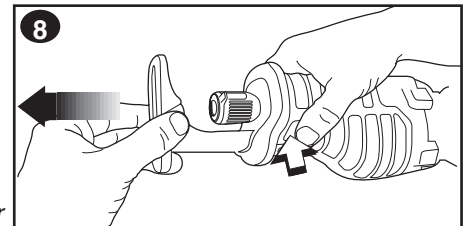
⚠ AVERTISSEMENT : RISQUE DE COUPURE. *Un bris de lame est possible si la lame ne dépasse pas la semelle et la pièce en cours de coupe. Un bris de lame représente un risque accru de blessures personnelles ainsi que des dommages à la semelle et à la pièce.*

⚠ AVERTISSEMENT : RISQUE DE COUPURE. *Éteindre l'outil et le débrancher avant d'effectuer tout réglage ou d'enlever ou d'installer tout accessoire.*

La semelle se réglera de manière à limiter la profondeur de la coupe. Enfoncer le bouton (illustré à la figure 8) logé sur la poignée, puis glisser la semelle à la profondeur souhaitée et relâcher le bouton.

⚠ MISE EN GARDE : RISQUE DE COUPURE. *Pour éviter une perte de maîtrise, ne jamais utiliser l'outil sans la semelle.*

⚠ MISE EN GARDE : RISQUE DE BLESSURES CORPORELLES ET DE DOMMAGES MATÉRIELS. *S'assurer que la semelle est verrouillée en position avant d'utiliser l'outil.*



SEMELLE RÉGLABLE (FIGURE 9 PC75TRS SEULEMENT)

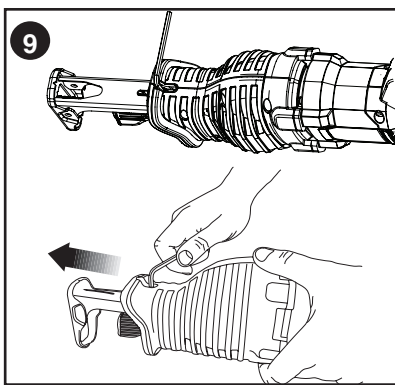
⚠ AVERTISSEMENT : RISQUE DE COUPURE. *Un bris de lame est possible si la lame ne dépasse pas la semelle et la pièce en cours de coupe. Un bris de lame représente un risque accru de blessures personnelles ainsi que des dommages à la semelle et à la pièce.*

⚠ AVERTISSEMENT : RISQUE DE COUPURE. *Éteindre l'outil et le débrancher avant d'effectuer tout réglage ou d'enlever ou d'installer tout accessoire.*

La semelle se réglera de manière à limiter la profondeur de la coupe. À l'aide d'une clé hexagonale M4 de 3,97 mm (5/32 po) (non fournie), desserrer les vis (figure 9), puis faire glisser la semelle à la profondeur souhaitée et resserrer solidement les vis.

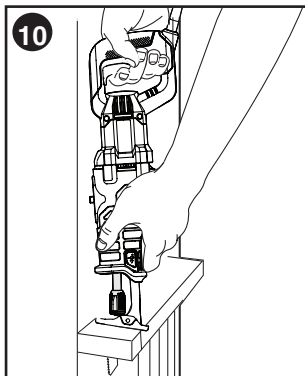
⚠ MISE EN GARDE : RISQUE DE COUPURE. *Pour éviter une perte de maîtrise, ne jamais utiliser l'outil sans la semelle.*

⚠ MISE EN GARDE : RISQUE DE BLESSURES CORPORELLES ET DE DOMMAGES MATÉRIELS. *S'assurer que la semelle est verrouillée en position avant d'utiliser l'outil.*



COUPE À RAS (FIGURE 10)

- Le modèle compact du boîtier du moteur et de la semelle pivotante de la scie alternative permet une coupe à ras au sol, dans les coins et à d'autres endroits difficiles d'accès.
- Pour optimiser la capacité de coupe à ras, insérer l'arbre de la lame dans le mécanisme de serrage de lame de manière à ce que les dents de la lame soient vers le haut.
- Inverser la scie de manière à être aussi près que possible de la surface de travail.



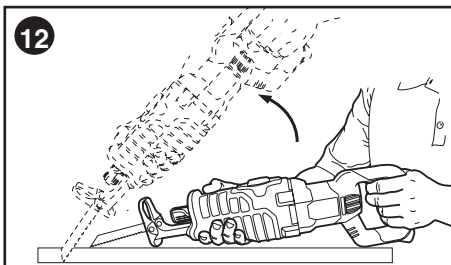
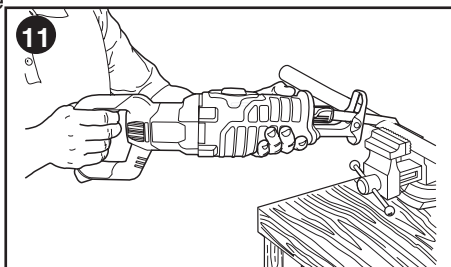
COUPE DU MÉTAL (FIGURE 11)

- Utiliser une lame plus fine pour les métaux ferreux et une lame grossière pour les matériaux non ferreux.
- Pour la tôle de fin calibre, il est préférable de fixer un morceau de bois sous la feuille de tôle. Cela permet d'assurer une coupe nette sans vibration excessive ou déchirure de la tôle.
- Éviter de forcer la lame de coupe, car cela réduit sa durée de vie et provoque des bris de lame coûteux.

REMARQUE : étendre un mince film d'huile ou de tout autre fluide de refroidissement le long de la ligne devant le trait de scie pour faciliter le fonctionnement de l'outil et accroître la durée de vie de la lame.

DÉCOUPE EN POCHÉ – BOIS SEULEMENT (FIGURE 12)

- Mesurer la zone à couper et la marquer clairement avec un crayon, une craie ou une pointe à tracer.
- Insérer la lame dans le mécanisme de serrage de lame et serrer ce dernier solidement.
- Incliner la scie vers l'arrière de manière à ce que le bord arrière de la semelle repose contre la surface de la pièce et la surface sera dégagée de toute la portée de la lame mobile.
- Saisir l'outil des deux mains, puis mettre le moteur en marche et laisser la lame atteindre sa vitesse maximale.
- Saisir la principale poignée de la scie et imprimer lentement un mouvement ascendant franc.
- La lame pénétrera dans le matériau. Toujours s'assurer que la lame a bien transpercé tout le matériau avant de continuer la coupe en poche.



REMARQUE : dans les endroits où la visibilité de la lame est limitée, utiliser le bord de la semelle comme guide.

CONSEILS POUR LES PROJETS

- Effectuer une coupe uniquement au moyen de lames affûtées; la coupe est plus nette, plus rapide et l'effort subi par le moteur est moindre durant la coupe.
- Durant la coupe, toujours s'assurer que la semelle est tenue fermement contre la pièce et que cette dernière est solidement fixée afin d'éviter qu'elle ne se déplace/dévie. Cela permet à l'opérateur d'avoir une plus grande maîtrise et de réduire les vibrations.
- Pour assurer une durée de vie accrue à la lame, utiliser des lames bimétalliques. Cette lame est constituée d'acier au carbone soudé à l'envers sur les dents en acier à coupe rapide, ce qui rend la lame plus flexible et donc moins sujette à se briser.

ENTRETIEN

DÉBRANCHER LA SCIE ET ENLEVER L'ACCESSOIRE POUR EFFECTUER TOUT NETTOYAGE OU AUTRE ENTRETIEN. EN CAS DE RÉPARATION, UTILISER UNIQUEMENT DES PIÈCES DE RECHANGE IDENTIQUES.

N'utiliser qu'un détergent doux et un chiffon humide pour nettoyer l'appareil. Ne jamais laisser de liquide pénétrer dans l'appareil et n'immerger aucune partie de l'appareil dans un liquide.

- Éviter l'utilisation de solvants pour nettoyer les pièces de plastique. La plupart des plastiques sont sensibles aux différents types de solvants commerciaux et risquent d'être endommagés par l'utilisation de solvants. Utiliser des chiffons propres pour enlever la saleté, la poussière de carbone, etc.
- Les outils électriques utilisés sur des bateaux en fibre de verre, des voitures sport, des cloisons sèches, etc. subissent une usure accélérée et peuvent présenter une défaillance prématurée, car les copeaux de fibre de verre, les particules de meulage et la poussière de cloison sèche sont hautement abrasifs pour les roulements, les balais, le collecteur, etc. Durant l'utilisation de l'outil sur de la fibre de verre ou une cloison sèche, il est très important que l'outil soit fréquemment nettoyé par jet d'air.

GRAISSAGE

Les outils Porter-Cable sont correctement graissés en usine et sont prêts à l'emploi. Lubrifier les outils régulièrement chaque année selon l'utilisation (les outils soumis à une utilisation intensive et à la chaleur peuvent exiger une lubrification plus fréquente). Seul du personnel formé pour la réparation d'outillage électrique, tel que le personnel des centres de réparations Porter-Cable ou d'autres centres qualifiés, devrait effectuer cette lubrification.

DÉPANNAGE

Problème

- L'appareil refuse de démarrer.

Cause possible

- Cordon d'alimentation non branché.
- Le fusible du circuit est grillé.

Solution possible

- Brancher l'outil dans une prise qui fonctionne.
- Remplacer le fusible du circuit. (Si le produit fait griller de façon répétée le fusible du circuit, arrêter immédiatement d'utiliser le produit et le faire réparer dans un centre de réparation Porter Cable ou un centre de réparation autorisé.)
- Remettre le disjoncteur à zéro. (Si le produit fait déclencher de façon répétée le disjoncteur, arrêter immédiatement d'utiliser le produit et le faire réparer dans un centre de réparation Porter Cable ou un centre de réparation autorisé.)
- Faire remplacer le cordon ou l'interrupteur au centre de réparation Porter Cable ou à un centre de réparation autorisé.

- Le disjoncteur est déclenché.

- Le cordon d'alimentation ou la prise de courant est endommagé(e).

• lame brisée prise à l'intérieur du collet de fixation.

• La lame brisée est retenue par une goupille dans le collet de fixation.

• Suivre la démarche indiquée à la rubrique « Pour retirer une lame brisée » pour désengager la goupille.

Pour de l'aide avec l'outil, consulter notre site Web www.portercable.com pour l'emplacement du centre de réparation le plus près ou communiquer avec l'assistance Porter-Cable au **(888)848-5175**.

PIÈCES DE RECHANGE

Utiliser seulement des pièces de rechange identiques. Pour obtenir une liste des pièces de rechange ou pour en commander, consulter le site Web www.portercable.com. Il est également possible de commander des pièces au centre de réparation de l'usine Porter-Cable et au centre de réparation sous garantie autorisé Porter-Cable le plus près. Ou composer le 1-888-848-5175 pour le service à la clientèle.

ENTRETIEN ET RÉPARATION

Tous les outils de qualité finissent par demander un entretien ou un changement de pièce. Pour de plus amples renseignements à propos de Porter-Cable, ses centres de réparation en usine ou ses centres de réparation sous garantie autorisés, visiter notre site Web au www.portercable.com ou communiquer avec notre centre de service à la clientèle en composant le 888-848-5175. Toutes les réparations effectuées dans nos centres de réparation sont entièrement garanties contre les défauts de matériaux et de main-d'œuvre. Nous ne pouvons pas garantir les réparations effectuées en partie ou totalement par d'autres.

Pour de plus amples renseignements par courrier, écrire à PORTER-CABLE, 4825 Highway 45 North, Jackson, Tennessee 38305, (888) 848-5175, É.-U. - à l'attention de : Product Service. S'assurer d'indiquer toutes les informations figurant sur la plaque signalétique de l'outil (numéro du modèle, type, numéro de série, etc.).

ACCESSOIRES

Cette scie est compatible avec toute lame de longueur maximale de 30,5 cm (12 po). Toujours utiliser la plus petite lame convenant à votre projet, mais sa longueur doit être suffisante pour pouvoir traverser le matériau. Les lames longues risquent davantage d'être pliées ou endommagées durant leur utilisation. Durant leur utilisation, certaines lames longues peuvent vibrer ou émettre des secousses si la scie n'est pas maintenue en contact avec la pièce.

⚠ AVERTISSEMENT : Puisque les accessoires autres que ceux offerts par Porter-Cable n'ont pas été testés avec ce produit, l'utilisation de ceux-ci avec l'outil pourrait s'avérer dangereuse. Pour réduire le risque de blessures, utiliser exclusivement les accessoires Porter-Cable recommandés avec le produit.

Les centres de réparation de l'usine Porter-Cable ou les centres de réparation sous garantie autorisés Porter-Cable sont en mesure de vous fournir la gamme complète d'accessoires. Consulter le site Web www.portercable.com pour obtenir un catalogue ou le nom du fournisseur local.

Cet appareil numérique de la classe B est conforme à la norme NMB-003 du Canada.

Cet appareil est conforme aux dispositions du paragraphe 15 des règlements de la FCC. Son fonctionnement est régi par les deux conditions suivantes : (1) Cet appareil ne peut pas causer d'interférence nuisible et (2) cet appareil doit accepter toutes les interférences reçues, y compris celles qui risquent d'en gêner le fonctionnement.

REMARQUE : ce matériel a été testé et a été déclaré conforme aux limites en vigueur concernant les dispositifs numériques de classe B, en vertu de la partie 15 de la réglementation FCC. Ces limites visent à assurer une protection raisonnable contre tout brouillage nuisible dans une installation résidentielle. Ce matériel produit, consomme et peut émettre une énergie de radiofréquence et, s'il n'est pas installé et utilisé conformément aux directives qui l'accompagnent, il peut entraîner un brouillage nuisible des communications radio. Cependant, nous ne garantissons pas l'absence de brouillage dans tous les types d'environnement. Si, après avoir effectué une vérification en mettant l'appareil hors tension puis sous tension, l'utilisateur s'aperçoit que ce matériel provoque un brouillage nuisible à la réception des signaux de radio ou de télévision, il lui faudra essayer de corriger ce brouillage en prenant une ou plusieurs des mesures ci-dessous :

- Réorienter ou repositionner l'antenne de réception.
- Éloigner le plus possible le matériel du récepteur.
- Brancher le matériel dans une prise électrique située sur un circuit différent de celui du récepteur.

• Consulter le distributeur ou un technicien radio/télévision expérimenté pour obtenir de l'aide. Tout changement ou toute modification à cet appareil qui n'est pas expressément approuvé par l'institution responsable de la conformité peut faire annuler le droit de l'utilisateur d'utiliser ce matériel. Cet appareil numérique de la classe B est conforme à la norme NMB-003 du Canada.

GARANTIE LIMITÉE DE TROIS ANS

PORTER-CABLE réparera ou remplacera gratuitement tous les outils défectueux présentant des défauts de matériau ou de fabrication pendant trois ans à compter de la date d'achat [garantie de deux ans pour les blocs-piles]. Cette garantie ne couvre pas des défaillances de pièce dues à une usure normale ou à une mauvaise utilisation de l'outil. Pour plus de détails relatifs à la couverture de la garantie et aux réparations sous garantie, visiter le site www.portercable.com ou composer le 888-848-5175. Cette garantie ne s'applique pas aux accessoires ni aux dommages causés par des réparations réalisées ou tentées par des tiers. Cette garantie vous accorde des droits légaux spécifiques et il est possible que vous ayez d'autres droits qui varient d'un État ou d'une province à l'autre.

En plus de la garantie, les outils PORTER-CABLE sont couverts par notre :

SERVICE D'ENTRETIEN GRATUIT D'UN (1) AN : PORTER-CABLE entretiendra l'outil et remplacera les pièces usées par une utilisation normale, et ce, gratuitement et à tout instant pendant la première année à compter de la date d'achat.

GARANTIE DE REMBOURSEMENT DE 90 JOURS : Si l'utilisateur n'est pas entièrement satisfait des performances de son outil électrique PORTER-CABLE pour une raison quelconque, il peut le retourner accompagné du reçu dans les 90 jours suivant la date d'achat, et nous le lui rembourserons entièrement - sans poser de question.

AMÉRIQUE LATINE : cette garantie ne s'applique pas aux produits vendus en Amérique latine. Pour ceux-ci, veuillez consulter les informations relatives à la garantie spécifique présente dans l'emballage, appeler l'entreprise locale ou consulter le site Web pour les informations relatives à cette garantie.

Pour enregistrer l'outil en vue d'obtenir un service de garantie, consulter notre site Web au www.portercable.com.

REMPACEMENT DES ÉTIQUETTES D'AVERTISSEMENT

Si vos étiquettes d'avertissement sont illisibles ou manquantes, contactez le 888-848-5175 pour en obtenir le remplacement gratuit.

Les éléments ci-dessous sont des marques de commerce des outils et des accessoires de PORTER-CABLE : un agencement de couleurs grise et noire; un motif d'« étoile à quatre pointes » et trois bandes longitudinales contrastantes/à contours. Les marques suivantes sont également des marques de commerce se rapportant à un ou plusieurs produits Porter-Cable ou Delta : 2 BY 4®, 890™, Air America®, AIRBOSS™, Auto-Set®, B.O.S.S.®, Bammer®, Biesemeyer®, Builders Saw®, Charge Air®, Charge Air Pro®, CONTRACTOR SUPERDUTY®, Contractor's Saw®, Delta®, DELTA®, Delta Industrial®, DELTA MACHINERY & DESIGN™, Delta Shopmaster and Design®, Delta X5®, Deltacraft®, DELTAGRAM®, Do It. Feel It.®, DUAL LASERLOC AND DESIGN®, EASY AIR®, EASY AIR TO GO™, ENDURADIAMOND®, Ex-Cell®, Front Bevel Lock®, Get Yours While the Sun Shines®, Grip to Fit®, GRIPVAC™, GTF®, HICKORY WOODWORKING®, Homecraft®, HP FRAMER HIGH PRESSURE®, IMPACT SERIES™, Innovation That Works®, Jet-Lock®, Job Boss®, Kickstand®, LASERLOC®, LONG-LASTING WORK LIFE®, MAX FORCE™, MAX LIFE®, Micro-Set®, Midi-Lathe®, Monsoon®, MONSTER-CARBIDE™, Network®, OLDHAM®, Omnijig®, PC EDGE®, Performance Crew™, Performance Gear®, Pocket Cutter®, Porta-Band®, Porta-Plane®, Porter Cable®, Porter-Cable Professional Power Tools®, Powerback®, POZI-STOP™, Pressure Wave®, PRO 4000®, Proair®, Quicksand and Design®, Quikset II®, QUIET DRIVE TECHNOLOGY™, QUIET DRIVE TECHNOLOGY AND DESIGN™, Quik-Change®, QUIK-TILT®, RAPID-RELEASE™, RAZOR®, Redefining Performance®, Riptide®, Safe Guard II®, Sand Trap and Design®, Sanding Center®, Saw Boss®, Shop Boss®, Sidekick®, Site Boss®, Speed-Bloc®, Speedmatic®, Stair Ease®, Steel Driver Series®, SUPERDUTY®, T4 & DESIGN®, THE AMERICAN WOODSHOP®, THE PROFESSIONAL EDGE®, Thin-Line®, Tiger Saw®, TIGERCLAW®, TIGERCLAW AND DESIGN®, Torq-Buster®, TRU-MATCH®, T-Square®, Twinlaser®, Unifence®, Uniguard®, UNIRIP®, UNISAW®, UNITED STATES SAW®, Veri-Set®, Versa-Feeder®, VIPER®, VT™, VT RAZOR™, Water Driver®, WATER VROOM®, Waveform®, Whisper Series®, X5®, YOUR ACHIEVEMENT. OUR TOOLS.®

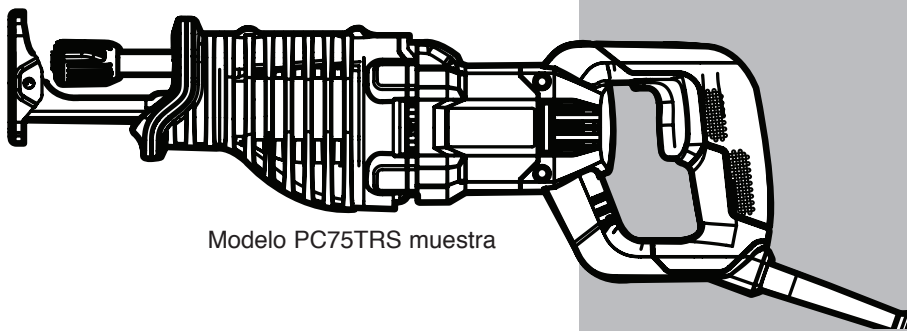
Les marques de commerce suivies du symbole ® sont enregistrées auprès du United States Patent and Trademark Office et peuvent être enregistrées dans d'autres pays. D'autres marques de commerce peuvent également être applicables.

PORTER  CABLE

4825 Highway 45 North • Jackson, Tennessee 38305 • (888) 848-5175
www.portercable.com

PORTER CABLE®

Sierra alternativa PC75TRS
Sierra alternativa orbital PC85TRSO



Modelo PC75TRS muestra

Manual de instrucciones

www.portercable.com

Gracias por elegir PORTER-CABLE usted! Para registrar su nuevo producto, visite: [www.portercable.com / ServiceAndSupport / ProductRegistration.aspx](http://www.portercable.com/ServiceAndSupport/ProductRegistration.aspx)

INSTRUCTIVO DE OPERACIÓN,
CENTROS DE SERVICIO Y PÓLIZA DE
GARANTÍA.

⚠ ADVERTENCIA: LÉASE ESTE
INSTRUCTIVO ANTES DE USAR EL
PRODUCTO.

CATÁLOGO N°
PC75TRS
PC85TRSO

PAUTAS DE SEGURIDAD/DEFINICIONES

Es importante que lea y comprenda este manual. La información que contiene se relaciona con la protección de SU SEGURIDAD y la PREVENCIÓN DE PROBLEMAS. Los símbolos que siguen se utilizan para ayudarlo a reconocer esta información.

⚠ PELIGRO: indica una situación de peligro inminente que, si no se evita, provocará la muerte o lesiones graves.

⚠ ADVERTENCIA: indica una situación de peligro potencial que, si no se evita, provocará la muerte o lesiones graves.

⚠ PRECAUCIÓN: indica una situación de peligro potencial que, si no se evita, provocará lesiones leves o moderadas.

PRECAUCIÓN: utilizado sin el símbolo de alerta de seguridad indica una situación de peligro potencial que, si no se evita, puede provocar daños en la propiedad.

Advertencias generales de seguridad

⚠ ADVERTENCIA: **Lea todas las instrucciones** El incumplimiento de las advertencias e instrucciones puede provocar descargas eléctricas, incendios o lesiones graves. El término “herramienta eléctrica” incluido en las advertencias hace referencia a las herramientas eléctricas operadas con corriente (con cable eléctrico) o a las herramientas eléctricas operadas con baterías (inalámbricas).

CONSERVE ESTAS INSTRUCCIONES

1) Seguridad en el área de trabajo

- Mantenga el área de trabajo limpia y bien iluminada.** *Las áreas abarrotadas y oscuras propician accidentes.*
- No opere herramientas eléctricas en atmósferas explosivas, como ambientes donde se encuentran líquidos, gases o polvo inflamables.** *Las herramientas eléctricas originan chispas que pueden encender el polvo o los vapores.*
- Mantenga a los niños y espectadores alejados de la herramienta eléctrica en funcionamiento.** *Las distracciones pueden provocar la pérdida de control.*

2) Seguridad eléctrica

- Los enchufes de la herramienta eléctrica deben adaptarse al tomacorriente. Nunca modifique el enchufe de ninguna manera. No utilice ningún enchufe adaptador con herramientas eléctricas con conexión a tierra.** *Los enchufes no modificados y que se adaptan a los tomacorrientes reducirán el riesgo de descarga eléctrica.*
- Evite el contacto corporal con superficies puestas a tierra, como por ejemplo tuberías, radiadores, rangos y refrigeradores.** *Existe mayor riesgo de descarga eléctrica si su cuerpo está puesto a tierra.*
- No exponga las herramientas eléctricas a la lluvia o a condiciones de humedad.** *Si ingresa agua a una herramienta eléctrica, aumentará el riesgo de descarga eléctrica.*
- No maltrate al cable. Nunca utilice el cable para transportar, tirar o desenchufar la herramienta eléctrica. Mantenga el cable lejos del calor, aceite, bordes afilados o piezas móviles.** *Los cables dañados o enredados aumentan el riesgo de descarga eléctrica.*
- Al operar una herramienta eléctrica en el exterior, utilice un cable prolongador adecuado para tal uso.** *Utilice un cable adecuado para uso en exteriores a fin de reducir el riesgo de descarga eléctrica.*

3) Seguridad personal

- Permanezca alerta, controle lo que está haciendo y utilice el sentido común cuando emplee una herramienta eléctrica.** *No utilice una herramienta eléctrica si está cansado o bajo el efecto de drogas, alcohol o medicamentos. Un momento de descuido mientras se opera una herramienta eléctrica puede provocar lesiones personales graves.*
- Utilice equipos de protección personal. Siempre utilice protección para los ojos.** *En las condiciones adecuadas, el uso de equipos de protección, como*

máscaras para polvo, calzado de seguridad antideslizante, cascos o protección auditiva, reducirá las lesiones personales.

- c) **Evite el encendido por accidente. Asegúrese de que el interruptor esté en la posición de apagado antes de conectarlo a la fuente de energía o paquete de baterías, o antes de levantar o transportar la herramienta. Transportar herramientas eléctricas con el dedo apoyado en el interruptor o enchufar herramientas eléctricas con el interruptor en la posición de encendido puede propiciar accidentes.**
 - d) **Retire las clavijas de ajuste o llaves de tuercas antes de encender la herramienta eléctrica. Una llave de tuercas o una clavija de ajuste que se deje conectada a una pieza giratoria de la herramienta eléctrica pueden provocar lesiones personales.**
 - e) **No se estire. Conserve el equilibrio adecuado y manténgase parado correctamente en todo momento. Esto permite un mejor control de la herramienta eléctrica en situaciones inesperadas.**
 - f) **Use la vestimenta adecuada. No use ropas holgadas ni joyas. Mantenga el cabello, la ropa y los guantes alejados de las piezas en movimiento. Las ropas holgadas, las joyas o el cabello largo pueden quedar atrapados en las piezas en movimiento.**
 - g) **Si se suministran dispositivos para la conexión de accesorios con fines de recolección y extracción de polvo, asegúrese de que estén conectados y que se utilicen correctamente. El uso de dispositivos de recolección de polvo puede reducir los peligros relacionados con el polvo.**
- 4) **Uso y mantenimiento de la herramienta eléctrica**
- a) **No fuerce la herramienta eléctrica. Utilice la herramienta eléctrica correcta para el trabajo que realizará. La herramienta eléctrica correcta hará el trabajo mejor y más seguro a la velocidad para la que fue diseñada.**
 - b) **No utilice la herramienta eléctrica si no puede encenderla o apagarla con el interruptor. Toda herramienta eléctrica que no puede ser controlada mediante el interruptor es peligrosa y debe ser reparada.**
 - c) **Desconecte el enchufe de la fuente de energía y/o el paquete de baterías de la herramienta eléctrica antes de realizar ajustes, cambiar accesorios o almacenar herramientas eléctricas. Estas medidas de seguridad preventivas reducen el riesgo de encender la herramienta eléctrica en forma accidental.**
 - d) **Guarde las herramientas eléctricas que no están en uso fuera del alcance de los niños y no permite que otras personas no familiarizadas con ella o con estas instrucciones operen la herramienta. Las herramientas eléctricas son peligrosas en las manos de usuarios no entrenados.**
 - e) **Mantenimiento de las herramientas eléctricas. Controle que no haya piezas móviles mal alineadas o trabadas, piezas rotas y toda otra situación que pueda afectar el funcionamiento de las herramientas eléctricas. Si encuentra daños, haga reparar la herramienta eléctrica antes de utilizarla. Se producen muchos accidentes a causa de las herramientas eléctricas que carecen de un mantenimiento adecuado.**
 - f) **Mantenga las herramientas de corte afiladas y limpias. Las herramientas de corte con mantenimiento adecuado, con los bordes de corte afilados son menos propensas a trabarse y son más fáciles de controlar.**
 - g) **Utilice la herramienta eléctrica, los accesorios y las brocas de la herramienta, etc. de acuerdo con estas instrucciones y teniendo en cuenta las condiciones de trabajo y el trabajo que debe realizarse. El uso de la herramienta eléctrica para operaciones diferentes de aquéllas para las que fue diseñada podría originar una situación peligrosa.**
- 5) **Mantenimiento**
- a) **Haga que una persona de reparaciones calificada realice el mantenimiento de su herramienta eléctrica y utilice piezas de repuesto idénticas solamente. Esto garantizará la seguridad de la herramienta eléctrica.**

Normas específicas de seguridad

- **Sujete la herramienta por las superficies aisladas, cuando realice una operación en la que el accesorio de corte puede ponerse en contacto con cables ocultos o con su propio cable. Entra en contacto con un cable "vivo" puede hacer que**

las partes metálicas de la herramienta de poder “vivir” y que el operario reciba una descarga eléctrica.

- **Utilice abrazaderas u otra forma práctica para asegurar y sostener la pieza de trabajo sobre una plataforma estable.** *Sostener el trabajo con la mano o contra el cuerpo no brinda la estabilidad requerida y puede llevar a la pérdida del control.*
- **Sostenga la sierra firmemente con ambas manos para todas las operaciones de corte.** *Durante las operaciones de corte, es posible que la hoja se atasque repentinamente en la pieza de trabajo y provoque que la sierra genere un retroceso hacia el operador.*
- **Mantenga las manos lejos de las zonas de corte.** Nunca se estire por debajo del material por ningún motivo. Sostenga la parte frontal de la sierra desde el área de sujeción contorneada. No inserte los dedos en la zona cercana a la hoja alternativa y a la abrazadera de la hoja. No estabilice la sierra sujetando la zapata.
- **Mantenga las hojas afiladas.** Las hojas sin filo pueden hacer que la sierra se desvíe o atasque al recibir presión.
- **Tome precauciones adicionales al cortar en lugares altos y preste atención especial a los cables y tubería de gas o agua en altura que puedan estar ocultas.** *Prevea el trayecto de la caída de las ramas y los desechos con anticipación.*
- **Al cortar tuberías o conductos,** asegúrese de que no contengan agua, cableado eléctrico, etc.
- **No toque la pieza de trabajo ni la hoja inmediatamente después de operar la herramienta.** *Pueden estar muy calientes.*

⚠ ADVERTENCIA: USE SIEMPRE LENTES DE SEGURIDAD. *Los anteojos de uso diario NO son lentes de seguridad. Utilice también máscaras faciales o para polvo si el corte produce polvillo. UTILICE SIEMPRE EQUIPOS DE SEGURIDAD CERTIFICADOS:*

- Protección para los ojos según la norma ANSI Z87.1 (CAN/CSA Z94.3)
- Protección auditiva según la norma ANSI S12.6 (S3.19)
- Protección respiratoria según las normas NIOSH/OSHA/MSHA

⚠ ADVERTENCIA: parte del polvo producido por las herramientas eléctricas al lijar, aserrar, esmerilar, taladrar y realizar otras actividades de la construcción, contiene productos químicos reconocidos por el Estado de California como causantes de cáncer, defectos de nacimiento u otros problemas reproductivos.

Algunos de estos productos químicos son:

- el plomo de las pinturas de base plomo,
- la sílice cristalina de ladrillos, el cemento y otros productos de mampostería, y
- el arsénico y el cromo de la madera con tratamiento químico.

El riesgo derivado de estas exposiciones varía según la frecuencia con la que se realice este tipo de trabajo. Para reducir la exposición a estos productos químicos: trabaje en áreas bien ventiladas y trabaje con equipos de seguridad aprobados, como las máscaras para polvo especialmente diseñadas para filtrar las partículas microscópicas.

- **Evite el contacto prolongado con el polvo procedente del lijado, serrado, esmerilado y taladrado eléctricos, así como de otras actividades del sector de la construcción. Lleve ropa protectora y lave con agua y jabón las zonas expuestas.** *Si permite que el polvo se introduzca en la boca u ojos o quede sobre la piel, puede favorecer la absorción de productos químicos peligrosos.*

⚠ ADVERTENCIA: El uso de esta herramienta puede generar o dispersar polvo lo cual puede causar lesiones respiratorias serias y permanentes y otros tipos de lesión. Siempre use protección respiratoria aprobada por NIOSH/OSHA para la exposición al polvo. Dirija las partículas en dirección opuesta a su cara y cuerpo.

⚠ ADVERTENCIA: Durante el uso, utilice siempre protección auditiva adecuada que cumpla con la norma ANSI S12.6 (S3.19). *En ciertas circunstancias y según el período de uso, el ruido de este producto puede contribuir a la pérdida de audición.*

⚠ ADVERTENCIA: No opere esta herramienta durante períodos largos de

tiempo. La vibración causada por la acción de operación de esta herramienta puede causar lesiones permanentes a los dedos, las manos y los brazos. Utilice guantes para una mayor amortiguación, tome descansos frecuentes y limite el tiempo de uso diario.

SÍMBOLOS

- La etiqueta de su herramienta puede incluir los siguientes símbolos. Los símbolos y sus definiciones son los siguientes:

V	voltios..amperios	A
Hz.....	hertz	Wvatios
min	minutos	~ o AC...corriente alterna
==	o DC...corriente continua	no.....no velocidad sin carga
ⓁConstrucción Clase I (con conexión a tierra)	
ⓂConstrucción de clase II	Ⓧterminal a tierra
⚠símbolo de alerta de	.../minorrpm revoluciones o reciprocidad por minuto seguridad
SPM	solpes por minuto	sfpmp.....pies de superficie por minuto
📖	Lea el manual de instrucciones antes del uso
👤	Use protección adecuada para las vías respiratorias
👁	Use protección adecuada para los ojos
👂	Use protección adecuada para los oídos

MOTOR

Asegúrese de que el suministro de energía concuerde con lo marcado en la placa. CA de 120 voltios solamente significa que su herramienta funcionará con la energía doméstica estándar de 60 Hz. No haga funcionar herramientas para corriente alterna (CA) con corriente directa (CD). Una capacidad nominal de CA/CD de 120 voltios significa que su herramienta funcionará con energía estándar de CA o CD de 60 Hz. Esta información está impresa en la placa. Un voltaje menor producirá pérdida de potencia y puede provocar sobrecalentamiento. Todas las herramientas Porter Cable son probadas en fábrica. Si esta herramienta no funciona, controle el suministro eléctrico.

CABLES PROLONGADORES

Utilice un cable adecuado para uso en exteriores a fin de reducir el riesgo de descarga eléctrica. Cuando utilice un cable prolongador, asegúrese de que tenga la capacidad para conducir la corriente que su producto exige. Un cable de menor capacidad provocará una disminución en el voltaje de la línea que producirá pérdida de potencia y sobrecalentamiento. La siguiente tabla muestra la medida correcta que debe utilizar según la longitud del cable y la capacidad nominal en amperios indicada en la placa. En caso de duda, utilice el calibre inmediatamente superior. Cuanto menor es el número de calibre, más grueso es el cable.

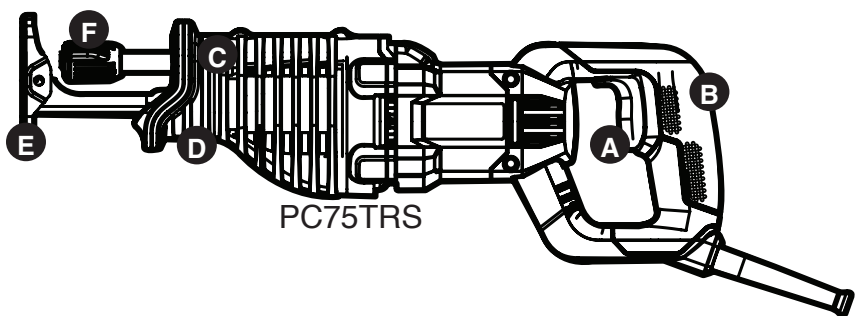
Volts	Calibre mínimo para cables de extensión				
	Longitud total del cable en pies				
120V	0-25	26-50	51-100	101-150	
	(0-7,6m)	(7,6-15,2m)	(15,2-30,4m)	(30,4-45,7m)	
240V	0-50	51-100	101-200	201-300	
	(0-15,2m)	(15,2-30,4m)	(30,4-60,9m)	(60,9-91,4m)	
Amperaje		American Wire Gage			
Más de	No más de				
0 - 6	18	16	16	14	
6 - 10	18	16	14	12	
10 - 12	16	16	14	12	
12 - 16	14	12	No se recomienda		

CONSERVE ESTAS INSTRUCCIONES



Descripción de las funciones (PC85TRSO)

- | | |
|-------------------------------|-------------------------------|
| A. Interruptor disparador | E. Mango de agarre secundario |
| B. Mango principal | F. Abrazadera de la hoja |
| C. Selector de acción orbital | G. Zapata ajustable |
| D. Botón de zapata ajustable | |



Descripción de las funciones (PC75TRS)

- | | |
|-------------------------------|-------------------------------------|
| A. Interruptor disparador | D. Tornillos de la zapata ajustable |
| B. Mango principal | E. Zapata ajustable |
| C. Mango de agarre secundario | F. Abrazadera de la hoja |

OPERACIÓN/CONFIGURACIÓN

⚠ ADVERTENCIA: PELIGRO DE CORTE. Apague y desenchufe la herramienta antes de realizar cualquier tipo de ajuste o quitar o instalar suplementos o accesorios.

⚠ ADVERTENCIA: Sostenga la sierra firmemente con ambas manos para todas las operaciones de corte.

⚠ ADVERTENCIA: Inspeccione el área de trabajo en busca de cables eléctricos, tubería oculta de gas o agua antes de realizar cortes a ciegas o de rebaje. El incumplimiento de esta instrucción puede provocar descarga eléctrica, incendio, explosión o daños a la propiedad.

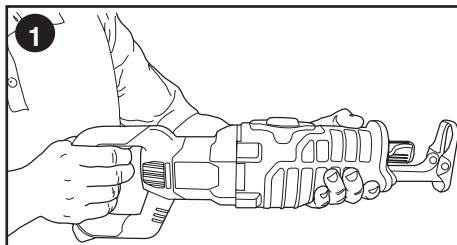
⚠ ADVERTENCIA: PELIGRO DE CORTE. La hoja puede romperse si ésta no se extiende más allá de la zapata y la pieza de trabajo durante el corte. Es posible que haya más riesgos de lesiones personales además de daños en la zapata y en la pieza de trabajo.

⚠ ADVERTENCIA: USE SIEMPRE LENTES DE SEGURIDAD. Los anteojos de uso diario NO son lentes de seguridad. Utilice también máscaras faciales o para polvo si el corte produce polvillo. UTILICE SIEMPRE EQUIPOS DE SEGURIDAD CERTIFICADOS.

⚠ ADVERTENCIA: PELIGRO DE CORTE. Antes de cortar cualquier tipo de material, asegúrese de que esté sujetado o fijado firmemente para evitar el deslizamiento.

- Coloque la hoja levemente contra la pieza de trabajo que desea cortar.
- Encienda el motor de la sierra antes de aplicar presión.

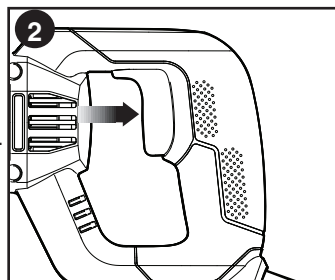
⚠ ADVERTENCIA: PELIGRO DE CORTE. Nunca sostenga ni use el producto con los dedos alrededor del botón de ajuste de la zapata. Al cortar, siempre sujete la sierra firmemente con ambas manos como se muestra en la **Figura 1**. Siempre que sea posible, la zapata de la sierra debe sujetarse con firmeza contra el material que desee cortar. Esto evitará que la sierra salte o vibre y minimizará el daño a la hoja.



ENCENDIDO DE VELOCIDAD VARIABLE SOLAMENTE PC750RS (figura 2)

El gatillo de velocidad variable le dará mas versatilidad. Cuanto más apriete el gatillo mas alta será la velocidad de la sierra. Para apagar le herramienta suelte el gatillo.

⚠ ADVERTENCIA: Riesgo de corte. Esta herramienta no cuenta con un dispositivo para fijar el encendido en marcha y nunca debe ser cerrado en marcha por ningún dispositivo.



INSTALACIÓN Y EXTRACCIÓN DE LA HOJA (FIGURA 3)

⚠ ADVERTENCIA: RIESGO DE CORTE. Apague y desconecte la herramienta de la fuente de energía antes de realizar cualquier ajuste o de extraer o instalar aditamentos o accesorios.

La hoja debe extenderse más allá de la zapata y el espesor de la pieza de trabajo durante el corte. Seleccione la hoja más adecuada para el material que desee cortar y utilice la hoja más corta apropiada para el espesor del material. No utilice hojas de sierra caladora con esta herramienta.

⚠ ADVERTENCIA: RIESGO DE CORTE. La hoja puede romperse si ésta no se extiende más allá de la zapata y la pieza de trabajo durante el corte. El resultado puede ser un mayor riesgo de lesiones personales además de daños a la zapata y la pieza de trabajo.

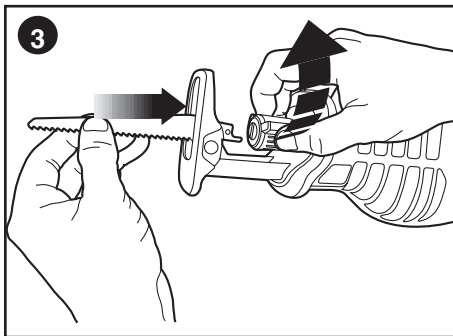
PARA INSTALAR LA HOJA EN LA SIERRA

1. Apunte la herramienta lejos del cuerpo.
2. Gire el anillo de la abrazadera de la hoja en la dirección que se muestra en la **Figura 3**.

3. Inserte el vástago de la hoja completamente dentro del anillo de la abrazadera de la hoja.

4. Suelte el anillo de la abrazadera de la hoja para bloquear la hoja en posición.

NOTA: La hoja se puede instalar con los dientes hacia arriba para contribuir a un corte al ras.



PARA RETIRAR LA HOJA DE LA SIERRA

⚠ ADVERTENCIA: Riesgo de quemaduras. No toque la hoja inmediatamente después del uso. El contacto con la hoja puede ocasionar lesiones personales.

1. Gire el anillo de la abrazadera de la hoja a la posición de liberación.
2. Retire la hoja.

PARA QUITAR UNA HOJA ROTA

Si la hoja se rompe de manera que el fragmento roto queda atrapado dentro de la abrazadera, siga los pasos a continuación para quitar el resto de la hoja de la sierra.

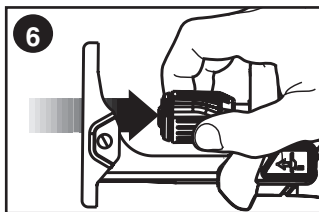
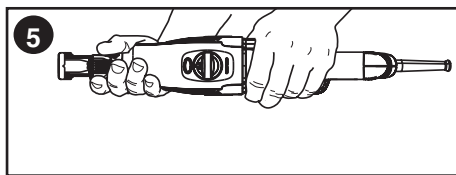
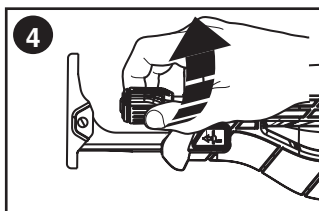
1. Gire el anillo de la abrazadera de la hoja hacia la derecha (visto desde la parte posterior de la sierra) y manténgalo en su lugar (**Figura 4**).

2. Voltee la sierra sobre su costado izquierdo (visto desde la parte posterior de la sierra) (**Figura 5**).

3a. Si la hoja se ha roto dentro de la abrazadera, deslice un objeto plano dentro de la apertura de la abrazadera (**Figura 6**) lo más que se pueda y luego quite el objeto plano. Esto soltará la clavija dentro de la abrazadera.


3b. Si la hoja se ha roto fuera de la abrazadera, deslice un objeto plano dentro de la apertura de la abrazadera (**Figura 6**) hacia la izquierda de la hoja lo más que se pueda y luego quite el objeto plano. Esto soltará la clavija dentro de la abrazadera.


4. Mientras mantiene abierto el anillo de la abrazadera y la sierra sobre su costado, apunte hacia abajo con la apertura de la abrazadera y sacuda hasta que la hoja rota caiga.

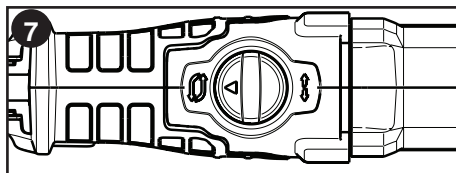


SELECTOR DE ACCIÓN ORBITAL (FIGURA 7, PC85TRSO ÚNICAMENTE)

La PC85TRSO tiene un doble movimiento de la hoja: el movimiento alternativo recto o el movimiento orbital.

El movimiento alternativo recto se utiliza para todas las operaciones de corte de metal y para las aplicaciones de corte en madera en las que el acabado es más importante que la velocidad. Para configurar la sierra para el movimiento alternativo recto, gire el selector a la posición marcada 

El movimiento orbital se utiliza para realizar cortes rápidos en madera. Para configurar la sierra para la acción orbital, gire el selector a la posición marcada 



ZAPATA AJUSTABLE (FIGURA 8, PC85TRSO ÚNICAMENTE)

⚠ **ADVERTENCIA: RIESGO DE CORTE.**

La hoja puede romperse si ésta no se extiende más allá de la zapata y la pieza de trabajo durante el corte. El resultado puede ser un mayor riesgo de lesiones personales además de daños a la zapata y la pieza de trabajo.

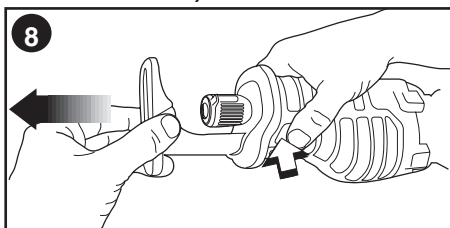
⚠ **ADVERTENCIA: RIESGO DE CORTE.**

Apague y desconecte la herramienta de la fuente de energía antes de realizar cualquier ajuste o de extraer o instalar aditamentos o accesorios.

La zapata se ajustará para limitar la profundidad del corte. Oprima el botón (como se muestra en la **Figura 8**) en el mango y deslice la zapata hacia afuera hasta la profundidad deseada y suelte el botón.

⚠ **ADVERTENCIA: RIESGO DE CORTE.** Para evitar la pérdida del control, nunca utilice la herramienta sin la zapata.

⚠ **PRECAUCIÓN: RIESGO DE LESIONES PERSONALES Y DAÑOS A LA PROPIEDAD.** Asegúrese de que la zapata esté bloqueada en su lugar antes de utilizar la herramienta.



ZAPATA AJUSTABLE (FIGURA 9, PC75TRS ÚNICAMENTE)

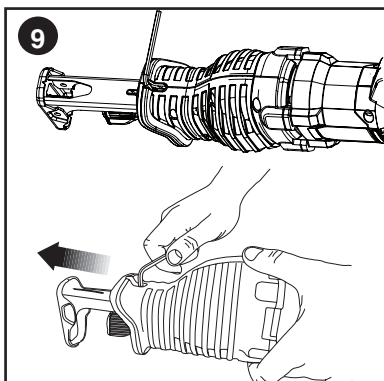
⚠ **ADVERTENCIA: RIESGO DE CORTE.** La hoja puede romperse si ésta no se extiende más allá de la zapata y la pieza de trabajo durante el corte. El resultado puede ser un mayor riesgo de lesiones personales además de daños a la zapata y la pieza de trabajo.

⚠ **ADVERTENCIA:** Apague y desconecte la herramienta de la fuente de energía antes de realizar cualquier ajuste o de extraer o instalar aditamentos o accesorios.

La zapata se ajustará para limitar la profundidad del corte. Con una llave hexagonal M4 (4,0 mm [5/32 pulgada]) (no suministrada), afloje los tornillos (**Figura 6**) y deslice la zapata hacia afuera hasta la profundidad deseada y luego vuelva a ajustar los tornillos firmemente.

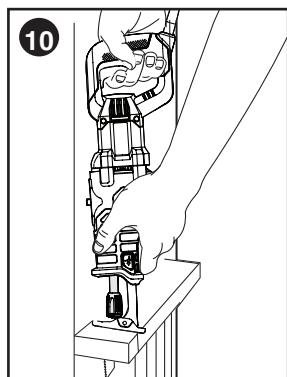
⚠ **PRECAUCIÓN: RIESGO DE CORTE.** Para evitar la pérdida del control, nunca utilice la herramienta sin la zapata.

⚠ **PRECAUCIÓN: RIESGO DE LESIONES PERSONALES Y DAÑOS A LA PROPIEDAD.** Asegúrese de que la zapata esté bloqueada en su lugar antes de utilizar la herramienta.



CORTE AL RAS (FIGURA 10)

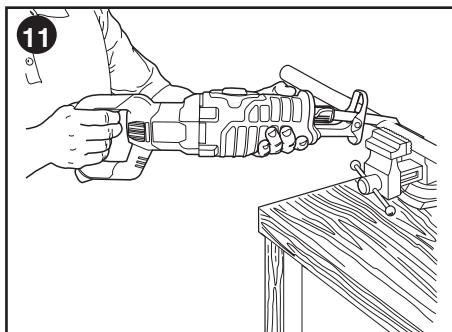
- El diseño compacto de la caja del motor de la sierra alternativa y de la zapata giratoria permite cortes cerrados en pisos, esquinas y otras áreas difíciles.
- Para maximizar las capacidades de cortes al ras, inserte el eje de la hoja en la abrazadera de ésta con los dientes de la hoja hacia arriba.
- Voltee la sierra de modo que usted esté lo más cerca posible de la superficie de trabajo.



CORTES EN METAL (FIGURA 11)

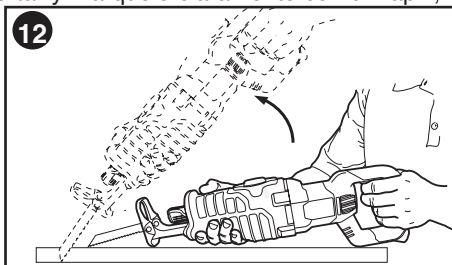
- Utilice una hoja más fina para metales ferrosos y una hoja más gruesa para materiales no ferrosos.
- En láminas metálicas de calibre delgado es mejor colocar madera en la parte inferior de la lámina. De esta forma, se asegurará un corte limpio sin exceso de vibración ni rotura del metal.
- Evite forzar la hoja de corte, ya que esto reduce la vida útil de la hoja y provoca roturas costosas de la misma.

NOTA: Aplique una capa delgada de aceite u otro refrigerante a lo largo de la línea delante del corte de la sierra para facilitar la operación y prolongar la vida útil de la hoja.



CORTES INTERNOS: MADERA ÚNICAMENTE (FIGURA 12)

- Mida el área de la superficie que desea cortar y márkelo claramente con un lápiz, tiza o punzón.
- Inserte la hoja en la abrazadera de la misma y ajuste la abrazadera firmemente.
- Incline la sierra hacia atrás hasta que el borde posterior de la zapata se apoye sobre la superficie de trabajo y la hoja en movimiento completamente extendida se separará de la superficie.
- Sujete la unidad con ambas manos y encienda el motor para permitir que la hoja alcance la máxima velocidad.
- Inicie un balanceo lento, intencional y hacia arriba con el mango principal de la sierra.
- La hoja comenzará a avanzar en el material. Siempre asegúrese de que la hoja atraviese completamente el material antes de continuar un corte interno.



NOTA: En áreas donde la visibilidad de la hoja sea limitada, utilice el borde de la zapata como guía.

SUGERENCIAS PARA PROYECTOS

- Corte únicamente con hojas afiladas; éstas realizan cortes más limpios, más rápidos y requieren menos esfuerzo del motor durante el corte.
- Al cortar, siempre asegúrese de que la zapata esté firmemente sujeta contra la pieza de trabajo y de que ésta última no pueda moverse ni desviarse. Esto mejorará el control del operador y minimizará la vibración.
- Para una vida útil más prolongada de la hoja, utilice hojas bimetálicas. Éstas utilizan un respaldo de acero al carbono soldado a dientes de acero de alta velocidad que hacen que la hoja sea más flexible y menos propensa a roturas.

MANTENIMIENTO

DESENCHUFE LA SIERRA Y RETIRE EL ACCESORIO AL REALIZAR LA LIMPIEZA U OTRO TIPO DE MANTENIMIENTO. AL REPARAR, SOLO UTILICE PIEZAS DE REPUESTO IDÉNTICAS A LAS ORIGINALES.

Para limpiar la herramienta, utilice únicamente jabón suave y un paño húmedo. Nunca permita que penetre líquido dentro de la herramienta y nunca sumerja las piezas de la herramienta en un líquido.

- Evite utilizar solventes al limpiar las piezas de plástico. La mayoría de los plásticos son susceptibles a varios tipos de solventes comerciales y posiblemente se dañen con su uso. Utilice paños limpios para eliminar la suciedad, el polvo del carbón, etc.
- Al utilizar herramientas eléctricas en botes de fibra de vidrio, automóviles deportivos, madera contrachapada, etc., éstas pueden acelerar el desgaste y ocasionar posibles daños prematuros, ya que las astillas de la fibra de vidrio y el polvo de esmerilados y madera contrachapada son altamente abrasivos a los rodamientos, cepillos, conmutador, etc. Durante cualquier uso en fibra de vidrio o madera contrachapada, es de extrema importancia que se limpie la herramienta con frecuencia mediante soplado con una tobera de aire.

LUBRICACIÓN

Las herramientas Porter Cable se lubrican adecuadamente en fábrica y están listas para usar. Las herramientas deben lubricarse periódicamente todos los años según su uso. (Las herramientas utilizadas en trabajos pesados y aquéllas expuestas al calor pueden necesitar una lubricación más frecuente). Sólo personal de reparación de herramientas eléctricas capacitado, como el personal de los centros de mantenimiento de Porter Cable u otro personal de mantenimiento calificado deberá efectuar la lubricación.

DETECCIÓN DE PROBLEMAS

Problema	Causa posible	Solución posible
• La unidad no enciende.	• Cable desenchufado. • Fusible quemado. (Si repetidamente el producto hace • El interruptor automático está activado. • Interruptor o cable dañado.	• Enchufe el cargador en un tomacorriente que funcione. • Reemplace el fusible quemado. que el fusible del circuito se queme, deje de utilizarlo inmediatamente y haga que le realicen mantenimiento en un centro de mantenimiento Porter Cable o en un centro de servicio autorizado.) • Reinicie el interruptor automático. (Si repetidamente el producto hace que el fusible del circuito se queme, deje de utilizarlo inmediatamente y haga que le realicen mantenimiento en un centro de mantenimiento Porter Cable o en un centro de servicio autorizado.) • Haga reparar el cable o el interruptor en un centro de mantenimiento Porter Cable o en un centro de mantenimiento autorizado. • Para soltar la clavija, siga los pasos en la sección "Para quitar una hoja rota".
• Hoja rota atorada dentro de la abrazadera.	• Hoja rota retenida en su por la clavija dentro de la abrazadera.	

Para conocer la ubicación del centro de mantenimiento más cercano a fin de recibir ayuda con su producto, visite nuestro sitio Web www.portercable.com o llame a la línea de ayuda Porter-Cable al **(888)848-5175**.

PIEZAS DE REPUESTO

Utilice sólo piezas de repuesto idénticas. Para obtener una lista de piezas o para solicitar piezas, visite nuestro sitio Web en www.portercable.com. También puede solicitar piezas al Centro de mantenimiento de fábrica Porter-Cable o al Centro de mantenimiento con garantía autorizado de Porter-Cable más cercanos. O bien, puede llamar a nuestro Centro de atención al cliente al (888) 848-5175.

MANTENIMIENTO Y REPARACIONES

Con el paso del tiempo, todas las herramientas de calidad requieren mantenimiento o reemplazo de las piezas. Para obtener información acerca de Porter-Cable, sus centros de mantenimiento o centros de mantenimiento con garantía autorizados, visite nuestro sitio web en www.portercable.com o comuníquese con nuestro Centro de atención al cliente al (888) 848-5175. Todas las reparaciones realizadas en nuestros centros de mantenimiento están completamente garantizadas en relación con los materiales defectuosos y la mano de obra. No podemos otorgar garantías en relación con las reparaciones ni los intentos de reparación de otras personas.

También puede escribirnos solicitando información a PORTER-CABLE, 4825 Highway 45 North, Jackson, Tennessee 38305; referencia: Mantenimiento de productos. Asegúrese de incluir toda la información mencionada en la placa de la herramienta (número de modelo, tipo, número de serie, etc.).

ACCESORIOS

Esta sierra es compatible con hojas de hasta 30,5 cm (12 pulgadas) de largo. Siempre utilice la hoja más corta que corresponda con su proyecto, pero lo suficientemente larga para permitir que la hoja corte a través del material. Las hojas más largas son más propensas a doblarse o dañarse durante el uso. Durante la operación, algunas hojas más largas pueden vibrar o temblar si la sierra no se mantiene en contacto con la pieza de trabajo.

⚠️ ADVERTENCIA: Debido a que no se han probado con este producto otros accesorios que no sean los que ofrece Porter-Cable, el uso de dichos accesorios con esta herramienta podría ser peligroso. Para reducir el riesgo de lesiones, con este producto deben usarse sólo los accesorios Porter-Cable recomendados.

Puede encontrar la línea completa de accesorios en los centros de mantenimiento de fábrica Porter-Cable o centros de mantenimiento con garantía autorizados de Porter-Cable. Visite nuestro sitio web www.portercable.com para obtener un catálogo o para conocer el nombre de su proveedor más cercano.

Este aparato digital Clase B cumple con la norma canadiense ICES-003.

Este mecanismo cumple con la parte 15 de las normas de la Comisión Federal de Comunicaciones de Estados Unidos (FCC). La operación está sujeta a las dos condiciones siguientes: (1) Este mecanismo posiblemente no cause interferencia perjudicial; y (2) este mecanismo puede aceptar cualquier interferencia recibida, incluso interferencia que podría provocar una operación no deseada.

NOTA: Este equipo ha sido probado y se encontró que cumple con los límites para dispositivo digital Clase B, según la parte 15 de las normas de la FCC. Estos límites están diseñados para brindar protección razonable contra interferencia perjudicial en una instalación residencial. Este equipo genera, usa y puede irradiar energía en frecuencia de radio y, si no se instala y se usa de acuerdo con las instrucciones, puede provocar interferencia perjudicial en las comunicaciones de radio. Sin embargo, no hay garantía de que la interferencia no ocurra en una instalación en particular. Si este equipo provoca interferencia perjudicial en la recepción de radio o televisión, lo que se puede determinar al apagar y encender el equipo, el usuario debe tratar de corregir la interferencia mediante una o más de las siguientes medidas:

- Cambiar la orientación o la ubicación de la antena de recepción.
- Aumentar la separación entre el equipo y el receptor.
- Conectar el equipo a un tomacorriente sobre un circuito diferente de aquel al que está conectado el receptor.
- Consultar al vendedor o pedir la ayuda de un técnico en radio y televisión con experiencia.

Los cambios o las modificaciones que se le realicen a esta unidad sin aprobación expresa del tercero responsable del cumplimiento pueden anular la autorización del usuario para operar el equipo. Este aparato digital de la clase B se conforma con ICES-003 canadiense.

GARANTÍA LIMITADA DE TRES AÑOS

PORTER-CABLE reparará o reemplazará, sin cargo, cualquier defecto ocasionado por materiales defectuosos o mano de obra durante tres años a partir de la fecha de compra, en el caso de las herramientas (dos años para las baterías). Esta garantía no cubre fallas en las piezas que resulten del desgaste normal de la herramienta o de su utilización inadecuada. Para obtener información detallada sobre la cobertura de la garantía y sobre reparaciones, visite www.portercable.com o llame al

(888) 848-5175. Esta garantía no se extiende a los accesorios o a los daños causados por terceros al intentar realizar reparaciones. Esta garantía le concede derechos legales específicos; pueden existir otros derechos que varían según el estado o la provincia.

Además de la garantía, las herramientas PORTER-CABLE están cubiertas por nuestro:

SERVICIO GRATUITO DE 1 AÑO: PORTER-CABLE realizará el mantenimiento y reemplazará las piezas gastadas tras el uso normal, sin costo alguno, en cualquier momento durante el primer año después de la compra.

GARANTÍA DE DEVOLUCIÓN DE DINERO DE 90 DÍAS: Si por alguna razón no estuviera plenamente satisfecho con el rendimiento de su herramienta eléctrica PORTER-CABLE, puede devolver el producto dentro de los 90 días siguientes a la

fecha de compra acompañado del recibo. De esta manera, se le reintegrará el importe total del producto sin formularle pregunta alguna.

AMÉRICA LATINA: Esta garantía no se aplica a los productos que se venden en América Latina. Para los productos que se venden en América Latina, debe consultar la información de la garantía específica del país que viene en el empaque, llamar a la compañía local o visitar el sitio Web a fin de obtener esa información.

Para registrar la herramienta con el objeto de obtener el mantenimiento cubierto por la garantía, visite nuestro sitio Web, www.portercable.com.

REEMPLAZO DE LAS ETIQUETAS DE ADVERTENCIA

Si sus etiquetas de advertencia se vuelven ilegibles o faltan, llame al (888) 848-5175 para que se las reemplacen gratuitamente.

Las siguientes son marcas comerciales PORTER-CABLE que distinguen a una o más herramientas y accesorios: un gráfico de color gris y negro; un diseño de "estrella de cuatro puntas" y tres franjas longitudinales contrastantes/delineadas. Las siguientes también son marcas comerciales para uno o más productos de Porter-Cable y Delta: 2 BY 4®, 890™, Air America®, AIRBOSS™, Auto-Set®, B.O.S.S.®, Bammer®, Biesemeyer®, Builders Saw®, Charge Air®, Charge Air Pro®, CONTRACTOR SUPERDUTY®, Contractor's Saw®, Delta®, DELTA®, Delta Industrial®, DELTA MACHINERY & DESIGN™, Delta Shopmaster and Design®, Delta X5®, Deltacraft®, DELTAGRAM®, Do It. Feel It.®, DUAL LASERLOC AND DESIGN®, EASY AIR®, EASY AIR TO GO™, ENDURADIAMOND®, Ex-Cell®, Front Bevel Lock®, Get Yours While the Sun Shines®, Grip to Fit®, GRIPVAC™, GTF®, HICKORY WOODWORKING®, Homecraft®, HP FRAMER HIGH PRESSURE®, IMPACT SERIES™, Innovation That Works®, Jet-Lock®, Job Boss®, Kickstand®, LASERLOC®, LONG-LASTING WORK LIFE®, MAX FORCE™, MAX LIFE®, Micro-Set®, Midi-Lathe®, Monsoon®, MONSTER-CARBIDE™, Network®, OLDHAM®, Omnijig®, PC EDGE®, Performance Crew™, Performance Gear®, Pocket Cutter®, Porta-Band®, Porta-Plane®, Porter Cable®, Porter-Cable Professional Power Tools®, Powerback®, POZI-STOP™, Pressure Wave®, PRO 4000®, Proair®, Quicksand and Design®, Quickset II®, QUIET DRIVE TECHNOLOGY™, QUIET DRIVE TECHNOLOGY AND DESIGN™, Quik-Change®, QUIK-TILT®, RAPID-RELEASE™, RAZOR®, Redefining Performance®, Riptide®, Safe Guard II®, Sand Trap and Design®, Sanding Center®, Saw Boss®, Shop Boss®, Sidekick®, Site Boss®, Speed-Bloc®, Speedmatic®, Stair Ease®, Steel Driver Series®, SUPERDUTY®, T4 & DESIGN®, THE AMERICAN WOODSHOP®, THE PROFESSIONAL EDGE®, Thin-Line®, Tiger Saw®, TIGERCLAW®, TIGERCLAW AND DESIGN®, Torq-Buster®, TRU-MATCH®, T-Square®, Twinlaser®, Unifence®, Uniguard®, UNIRIP®, UNISAW®, UNITED STATES SAW®, Veri-Set®, Versa-Feeder®, VIPER®, VT™, VT RAZOR™, Water Driver®, WATER VROOM®, Waveform®, Whisper Series®, X5®, YOUR ACHIEVEMENT. OUR TOOLS.®

Las marcas comerciales con el símbolo ® están registradas en la Oficina de patentes y marcas comerciales de Estados Unidos (United States Patent and Trademark Office), y también pueden estar registradas en otros países. Posiblemente se apliquen otras marcas comerciales registradas.

PORTER  CABLE

4825 Highway 45 North
Jackson, Tennessee 38305
(888) 848-5175
www.portercable.com